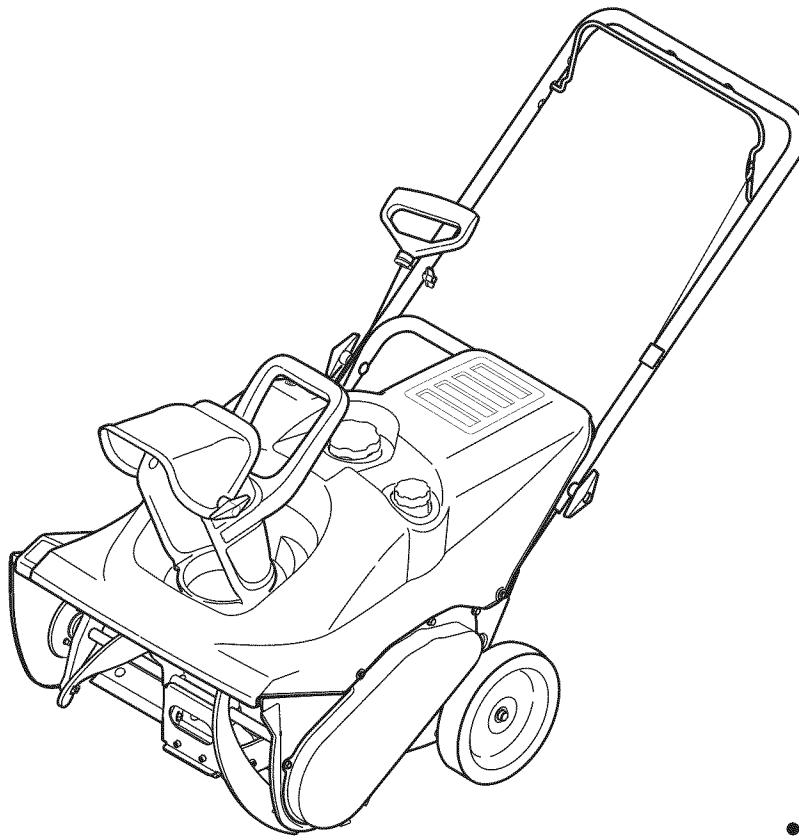


Operator's Manual



21" SNOW THROWER

Model No. 247.88705



CAUTION: Before using this product, read this manual and follow all safety rules and operating instructions.

- SAFETY
- ASSEMBLY
- OPERATION
- MAINTENANCE
- PARTS LIST
- ESPAÑOL

Sears, Roebuck and Co., Hoffman Estates, IL 60179, U.S.A.

Visit our website: www.craftsman.com

FORM NO. 769-04081

2/6/2009

TABLE OF CONTENTS

Warranty Statement.....	Page 2	Off-Season Storage.....	Page 18
Safe Operation Practices.....	Pages 3-5	Trouble Shooting.....	Page 19
Safety Labels.....	Page 6	Parts List.....	Page 20-27
Assembly.....	Pages 7-9	Repair Protection Agreement.....	Page 31
Operation.....	Pages 10-12	Español.....	Page 32
Service and Maintenance.....	Pages 13-17	Service Numbers.....	Back Cover

WARRANTY STATEMENT

CRAFTSMAN LIMITED WARRANTY

Two Years on Snow Thrower

When operated and maintained according to all supplied instructions, if this snow thrower fails due to a defect in material or workmanship within two years from the date of purchase, call 1-800-4-MY-HOME® to arrange for free repair.

This warranty applies for only 90 days from the date of purchase if this snow thrower is ever used for commercial or rental purposes.

During the first year of purchase, there will be no charge for warranty service in your home. For your convenience, in-home warranty service will still be available after the first year of purchase, but a trip charge will apply. This charge will be waived if you transport the snow thrower to an authorized Craftsman drop-off location. For the nearest authorized location, call 1-800-4-MY-HOME®.

This warranty covers ONLY defects in material and workmanship. Sears will NOT pay for:

- Expendable items that become worn during normal use, including but not limited to skid shoes, shave plate, shear pins, spark plug, air cleaner, belts, and oil filter.
- Standard maintenance servicing, oil changes, or tune-ups.
- Tire replacement or repair caused by punctures from outside objects, such as nails, thorns, stumps, or glass.
- Tire or wheel replacement or repair resulting from normal wear, accident, or improper operation or maintenance.
- Repairs necessary because of operator abuse, including but not limited to damage caused by impacting objects that bend the frame or crankshaft, or over-speeding the engine.
- Repairs necessary because of operator negligence, including but not limited to, electrical and mechanical damage caused by improper storage, failure to use the proper grade and amount of engine oil, or failure to maintain the equipment according to the instructions contained in the operator's manual.
- Engine (fuel system) cleaning or repairs caused by fuel determined to be contaminated or oxidized (stale). In general, fuel should be used within 30 days of its purchase date.
- Normal deterioration and wear of the exterior finishes, or product label replacement.

This warranty applies only while this product is used in the United States.

This warranty gives you specific legal rights, and you may also have other rights which vary from state to state.

Sears, Roebuck and Co., Hoffman Estates, IL 60179

PRODUCT SPECIFICATIONS

Engine Oil Type:	SAE 5W-30
Engine Oil Capacity:	20 ounces
Fuel Capacity:	2 Quarts
Spark Plug:	Torch F6RTC
Spark Plug Gap:	.020"-.030"

MODEL NUMBER

Model Number.....
 Serial Number.....
 Date of Purchase.....

Record the model number, serial number
 and date of purchase above

SAFETY INSTRUCTIONS

WARNING

This symbol points out important safety instructions which, if not followed, could endanger the personal safety and/or property of yourself and others. Read and follow all instructions in this manual before attempting to operate this machine. Failure to comply with these instructions may result in personal injury. When you see this symbol, HEED ITS WARNING!

WARNING

CALIFORNIA PROPOSITION 65

Engine Exhaust, some of its constituents, and certain vehicle components contain or emit chemicals known to State of California to cause cancer and birth defects or other reproductive harm.

DANGER

This machine was built to be operated according to the safe operation practices in this manual. As with any type of power equipment, carelessness or error on the part of the operator can result in serious injury. This machine is capable of amputating fingers, hands, toes and feet and throwing debris. Failure to observe the following safety instructions could result in serious injury or death.

WARNING

Your Responsibility—Restrict the use of this power machine to persons who read, understand and follow the warnings and instructions in this manual and on the machine.

SAVE THESE INSTRUCTIONS!

TRAINING

- Read, understand, and follow all instructions on the machine and in the manual(s) before attempting to assemble and operate. Failure to do so can result in serious injury to the operator and/or bystanders. Keep this manual in a safe place for future and regular reference and for ordering replacement parts. For questions call, 1-800-659-5917.
- Be familiar with all controls and their proper operation. Know how to stop the machine and disengage them quickly.
- Never allow children under 14 years of age to operate this machine. Children 14 and over should read and understand the instructions and safe operation practices in this manual and on the machine and be trained and supervised by an adult.
- Never allow adults to operate this machine without proper instruction.
- Thrown objects can cause serious personal injury. Plan your snow-throwing pattern to avoid discharge of material toward roads, bystanders and the like.
- Keep bystanders, pets and children at least 75 feet from the machine while it is in operation. Stop machine if anyone enters the area.
- Exercise caution to avoid slipping or falling, especially when operating in reverse.

PREPARATION

Thoroughly inspect the area where the equipment is to be used. Remove all doormats, newspapers, sleds, boards, wires and other foreign objects, which could be tripped over or thrown by the auger/impeller.

- Always wear safety glasses or eye shields during operation and while performing an adjustment or repair to protect your eyes. Thrown objects which ricochet can cause serious injury to the eyes.
- Do not operate without wearing adequate winter outer garments. Do not wear jewelry, long scarves or other loose clothing, which could become entangled in moving parts. Wear footwear which will improve footing on slippery surfaces.
- Use a grounded three-wire extension cord and receptacle for all machines with electric start engines.
- Disengage all control levers before starting the engine.
- Never attempt to make any adjustments while engine is running, except where specifically recommended in the operator's manual.
- Let engine and machine adjust to outdoor temperature before starting to clear snow.

SAFETY INSTRUCTIONS

Safe Handling of Gasoline

To avoid personal injury or property damage use extreme care in handling gasoline. Gasoline is extremely flammable and the vapors are explosive. Serious personal injury can occur when gasoline is spilled on yourself or your clothes which can ignite. Wash your skin and change clothes immediately.

- Use only an approved gasoline container.
- Extinguish all cigarettes, cigars, pipes and other sources of ignition.
- Never fuel machine indoors.
- Never remove gas cap or add fuel while the engine is hot or running.
- Allow engine to cool at least two minutes before refueling.
- Never over fill fuel tank. Fill tank to no more than ½ inch below bottom of filler neck to provide space for fuel expansion.
- Replace gasoline cap and tighten securely.
- If gasoline is spilled, wipe it off the engine and equipment. Move machine to another area. Wait 5 minutes before starting the engine.
- Never store the machine or fuel container inside where there is an open flame, spark or pilot light (e.g. furnace, water heater, space heater, clothes dryer etc.).
- Allow machine to cool at least 5 minutes before storing.
- Never fill containers inside a vehicle or on a truck or trailer bed with a plastic liner. Always place containers on the ground away from your vehicle before filling.
- If possible, remove gas-powered equipment from the truck or trailer and refuel it on the ground. If this is not possible, then refuel such equipment on a trailer with a portable container, rather than from a gasoline dispenser nozzle.
- Keep the nozzle in contact with the rim of the fuel tank or container opening at all times until fueling is complete. Do not use a nozzle lock-open device.

OPERATION

- Do not put hands or feet near rotating parts, in the auger/impeller housing or chute assembly. Contact with the rotating parts can amputate hands and feet.
- The auger/impeller control lever is a safety device. Never bypass its operation. Doing so makes the machine unsafe and may cause personal injury.
- The control levers must operate easily in both directions and automatically return to the disengaged position when released.
- Never operate with a missing or damaged chute assembly. Keep all safety devices in place and working.
- Never run an engine indoors or in a poorly ventilated area. Engine exhaust contains carbon monoxide, an odorless and deadly gas.
- Do not operate machine while under the influence of alcohol or drugs.
- Muffler and engine become hot and can cause a burn. Do not touch. Keep children away.

- Exercise extreme caution when operating on or crossing gravel surfaces. Stay alert for hidden hazards or traffic.
- Exercise caution when changing direction and while operating on slopes.
- Plan your snow-throwing pattern to avoid discharge towards windows, walls, cars etc. Thus, avoiding possible property damage or personal injury caused by a ricochet.
- Never direct discharge at children, bystanders and pets or allow anyone in front of the machine.
- Do not overload machine capacity by attempting to clear snow at too fast of a rate.
- Never operate this machine without good visibility or light. Always be sure of your footing and keep a firm hold on the handles. Walk, never run.
- Disengage power to the auger/impeller when transporting or not in use.
- Never operate machine at high transport speeds on slippery surfaces. Look down and behind and use care when backing up.
- If the machine should start to vibrate abnormally, stop the engine, disconnect the spark plug wire and ground it against the engine. Inspect thoroughly for damage. Repair any damage before starting and operating.
- Disengage all control levers and stop engine before you leave the operating position (behind the handles). Wait until the auger/impeller comes to a complete stop before unclogging the chute assembly, making any adjustments, or inspections.
- Never put your hand in the discharge or collector openings. Do not unclog chute assembly while engine is running. Shut off engine and remain behind handles until all moving parts have stopped before unclogging.
- Use only attachments and accessories approved by the manufacturer (e.g. wheel weights, tire chains, cabs etc.).
- When starting engine, pull cord slowly until resistance is felt, then pull rapidly. Rapid retraction of starter cord (kickback) will pull hand and arm toward engine faster than you can let go. Broken bones, fractures, bruises or sprains could result.
- If situations occur which are not covered in this manual, use care and good judgment. Contact Customer Support for assistance and the name of your nearest servicing dealer.

CLEARING A CLOGGED DISCHARGE CHUTE

Hand contact with the rotating impeller inside the discharge chute is the most common cause of injury associated with snow throwers. Never use your hand to clean out the discharge chute.

To clear the chute:

1. SHUT THE ENGINE OFF!
2. Wait 10 seconds to be sure the impeller blades have stopped rotating.
3. Always use a clean-out tool, not your hands.

SAFETY INSTRUCTIONS

MAINTENANCE & STORAGE

- Never tamper with safety devices. Check their proper operation regularly. Refer to the maintenance and adjustment sections of this manual.
- Before cleaning, repairing, or inspecting machine disengage all control levers and stop the engine. Wait until the auger/impeller come to a complete stop. Disconnect the spark plug wire and ground against the engine to prevent unintended starting.
- Check bolts and screws for proper tightness at frequent intervals to keep the machine in safe working condition. Also, visually inspect machine for any damage.
- Do not change the engine governor setting or over-speed the engine. The governor controls the maximum safe operating speed of the engine.
- Snow thrower shave plates and skid shoes are subject to wear and damage. For your safety protection, frequently check all components and replace with original equipment manufacturer's (OEM) parts only. "Use of parts which do not meet the original equipment specifications may lead to improper performance and compromise safety!"
- Check control levers periodically to verify they engage and disengage properly and adjust, if necessary. Refer to the adjustment section in this operator's manual for instructions.
- Maintain or replace safety and instruction labels, as necessary.
- Observe proper disposal laws and regulations for gas, oil, etc. to protect the environment.
- Prior to storing, run machine a few minutes to clear snow from machine and prevent freeze up of auger/impeller.
- Never store the machine or fuel container inside where there is an open flame, spark or pilot light such as a water heater, furnace, clothes dryer etc.
- Always refer to the operator's manual for proper instructions on off-season storage.
- Check fuel line, tank, cap, and fittings frequently for cracks or leaks. Replace if necessary.
- Do not crank engine with spark plug removed.
- According to the Consumer Products Safety Commission (CPSC) and the U.S. Environmental Protection Agency (EPA), this product has an *Average Useful Life* of seven (7) years, or 60 hours of operation. At the end of the *Average Useful Life* have the machine inspected annually by an authorized service dealer to ensure that all mechanical and safety systems are working properly and not worn excessively. Failure to do so can result in accidents, injuries or death.

DO NOT MODIFY ENGINE

To avoid serious injury or death, do not modify engine in any way. Tampering with the governor setting can lead to a runaway engine and cause it to operate at unsafe speeds. Never tamper with factory setting of engine governor.

NOTICE REGARDING EMISSIONS

Engines which are certified to comply with California and federal EPA emission regulations for SORE (Small Off Road Equipment) are certified to operate on regular unleaded gasoline, and may include the following emission control systems: Engine Modification (EM), Oxidizing Catalyst (OC), Secondary Air Injection (SAI) and Three Way Catalyst (TWC) if so equipped.

SPARK ARRESTOR

WARNING

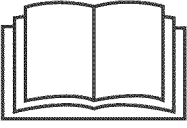







This machine is equipped with an internal combustion engine and should not be used on or near any unimproved forest-covered, brush-covered or grass-covered land unless the engine's exhaust system is equipped with a spark arrester meeting applicable local or state laws (if any)

If a spark arrester is used, it should be maintained in effective working order by the operator. In the State of California the above is required by law (Section 4442 of the California Public Resources Code). Other states may have similar laws. Federal laws apply on federal lands. A spark arrester for the muffler is available through your nearest Sears Parts and Repair Service Center.

SAFETY INSTRUCTIONS

SAFETY SYMBOLS

This page depicts and describes safety symbols that may appear on this product. Read, understand, and follow all instructions on the machine before attempting to assemble and operate.

Symbol	Description
	<p>READ THE OPERATOR'S MANUAL(S) Read, understand, and follow all instructions in the manual(s) before attempting to assemble and operate</p>
	<p>WARNING— ROTATING BLADES Keep hands out of inlet and discharge openings while machine is running. There are rotating blades inside</p>
	<p>WARNING— ROTATING BLADES Keep hands out of inlet and discharge openings while machine is running. There are rotating blades inside</p>
	<p>WARNING— ROTATING AUGER Do not put hands or feet near rotating parts, in the auger/impeller housing or chute assembly. Contact with the rotating parts can amputate hands and feet.</p>
	<p>WARNING—THROWN OBJECTS This machine may pick up and throw and objects which can cause serious personal injury.</p>
	<p>WARNING—GASOLINE IS FLAMMABLE Allow the engine to cool at least two minutes before refueling.</p>
	<p>WARNING— CARBON MONOXIDE Never run an engine indoors or in a poorly ventilated area. Engine exhaust contains carbon monoxide, an odorless and deadly gas.</p>
	<p>WARNING— ELECTRICAL SHOCK Do not use the engine's electric starter in the rain</p>

ASSEMBLY

NOTE: References to right or left side of the snow thrower are determined from behind the unit in the operating position (standing directly behind the snow thrower, facing the handle panel).

REMOVING FROM CARTON

1. Cut the corners of the carton and lay the sides flat on the ground. Remove and discard all packing inserts.
2. Move the snow thrower out of the carton.
3. Make certain the carton has been completely emptied before discarding it.

ASSEMBLY

Positioning the Upper Handle

1. Pivot the upper handle into the operating position making sure not to pinch the cable in the process, as illustrated in Figure 1, until it clicks into place.

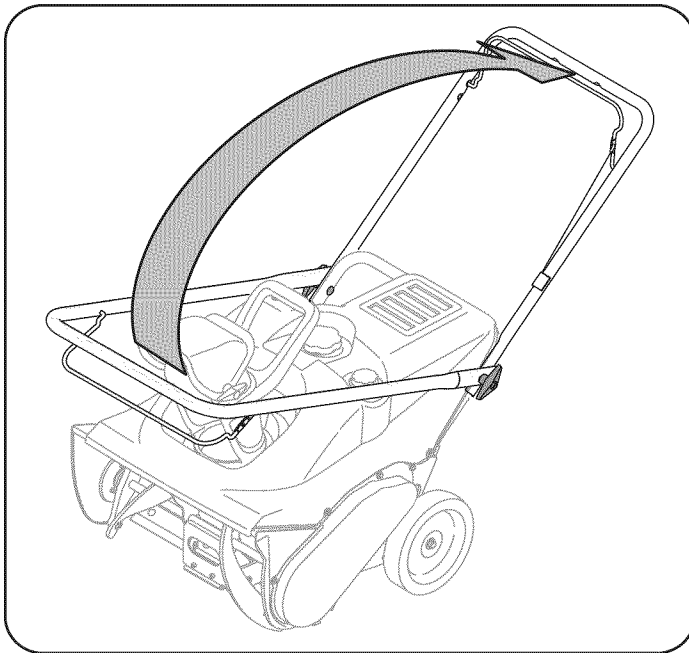


Figure 1

2. Tighten the wing knobs to secure the handle in place. See Figure 2.

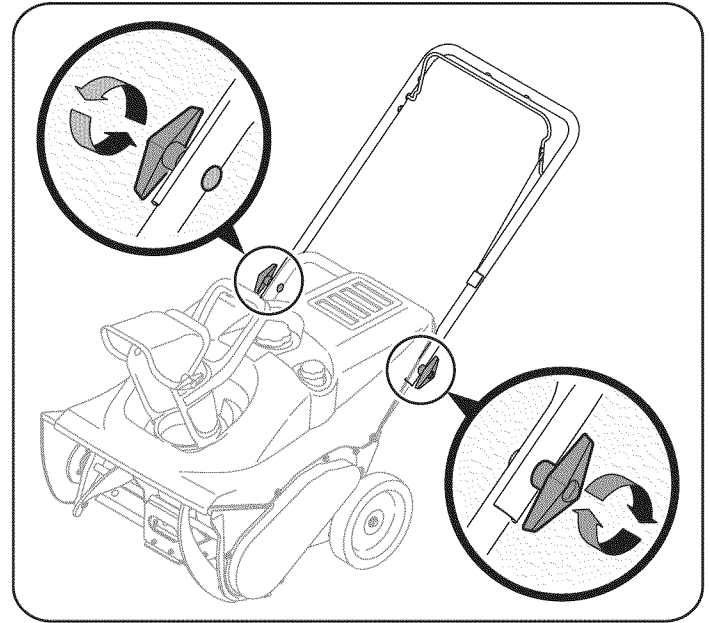


Figure 2

3. Loosely attach the eyebolt and plastic wing nut (found in the manual bag) to the handle. See Figure 3. Pull the recoil starter handle out and thread the rope through the eye bolt. Tighten the wing nut to secure the eyebolt in place.

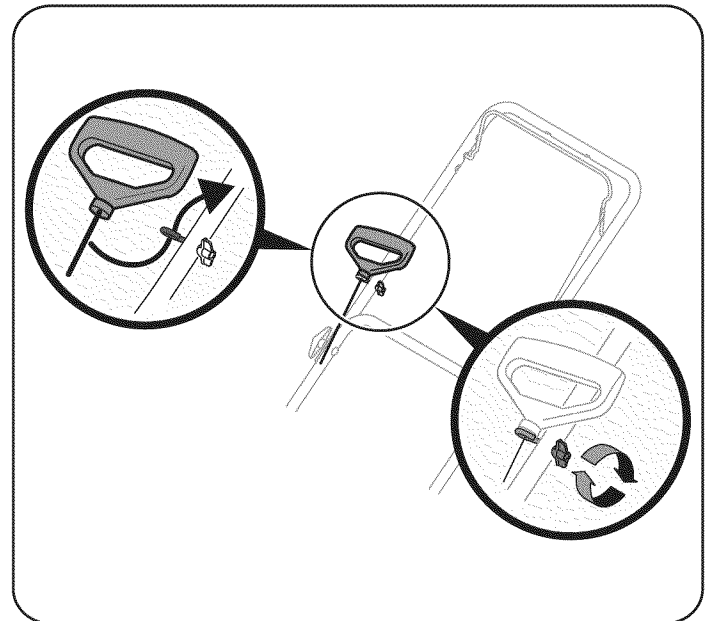


Figure 3

ASSEMBLY

SET-UP

Fuel Recommendations

Use automotive gasoline (unleaded or low leaded to minimize combustion chamber deposits) with a minimum of 87 octane. Gasoline with up to 10% ethanol or 15% MTBE (Methyl Tertiary Butyl Ether) can be used. Never use an oil/gasoline mixture or dirty gasoline. Avoid getting dirt, dust, or water in the fuel tank. DO NOT use E85 gasoline.

- Refuel in a well-ventilated area with the engine stopped. Do not smoke or allow flames or sparks in the area where the engine is refueled or where gasoline is stored.
- Do not overfill the fuel tank. After refueling, make sure the tank cap is closed properly and securely.
- Be careful not to spill fuel when refueling. Spilled fuel or fuel vapor may ignite. If any fuel is spilled, make sure the area is dry before starting the engine.
- Avoid repeated or prolonged contact with skin or breathing of vapor.

Adding Fuel

⚠ WARNING

Use extreme care when handling gasoline. Gasoline is extremely flammable and the vapors are explosive. Never fuel the machine indoors or while the engine is hot or running. Extinguish cigarettes, cigars, pipes and other sources of ignition.

⚠ WARNING

Always keep hands and feet clear of equipment moving parts. Do not use a pressurized starting fluid. Vapors are flammable.

1. Clean around fuel fill before removing cap to fuel.
2. A fuel level indicator is located in the fuel tank. Fill tank until fuel reaches the fuel level indicator, Figure 4. Be careful not to overfill.

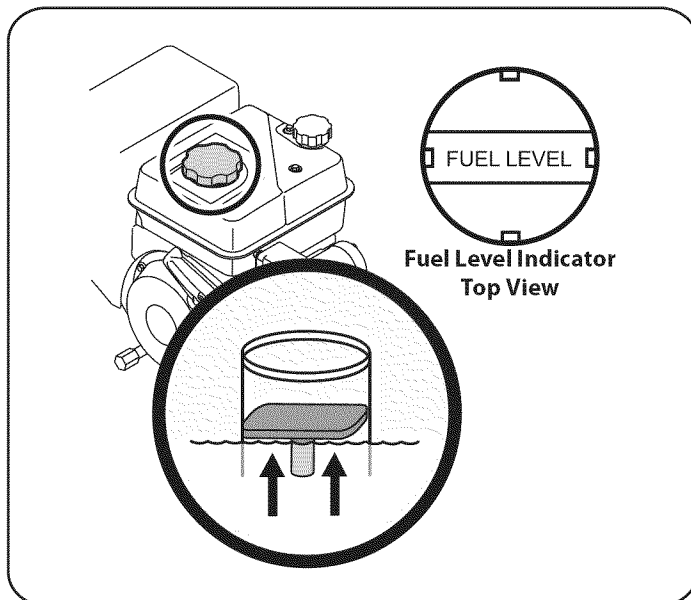


Figure 4

Adding Oil

⚠ CAUTION

The engine is shipped without oil in the engine. You must fill the engine with oil before operating. Running the engine with insufficient oil can cause serious engine damage and void the engine warranty.

1. Remove the oil filler cap/dipstick and wipe the dipstick clean. See Figure 5.

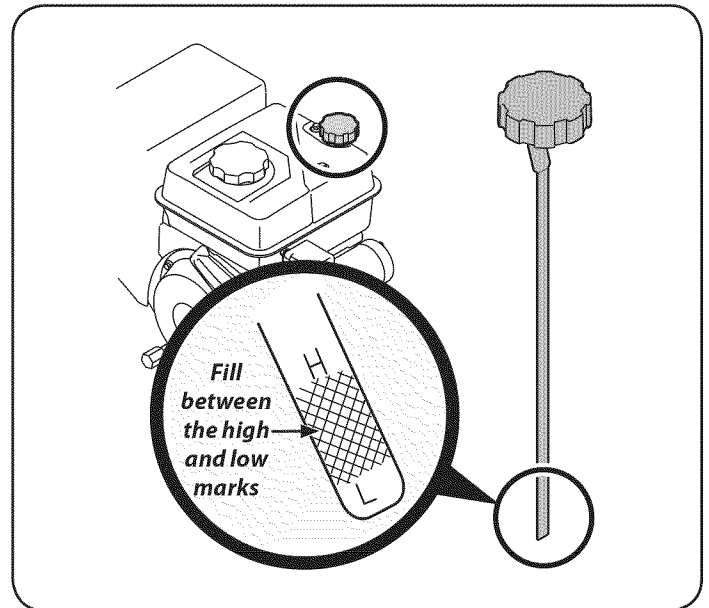


Figure 5

- NOTE: Do not screw in the dipstick when checking the oil level.
2. Slowly add oil until the oil level registers between high (H) and low (L), Figure 4. Refer to the Service and Maintenance section for the correct oil viscosity and engine oil capacity.

NOTE: Do not overfill. Overfilling the engine with oil may result in the engine smoking, hard starting or spark plug fouling.

ASSEMBLY

ADJUSTMENTS

Chute Assembly

The pitch of the chute assembly controls the angle at which the snow is thrown.

1. Loosen the wing knob found on the left side of the chute assembly and pivot the upper chute upward or downward to the desired pitch. Retighten the wing knob before operating the snow thrower.
2. Position the chute assembly opening by using the chute handle to throw the snow in the desired direction. See Figure 6.

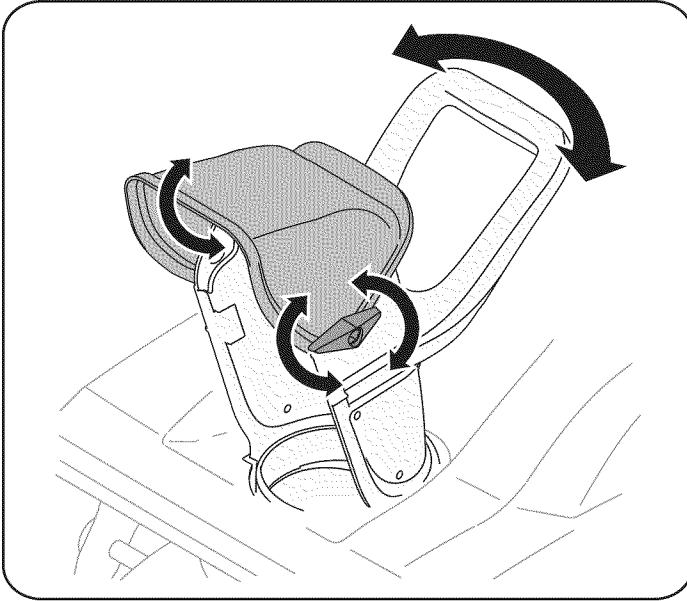


Figure 6

OPERATION

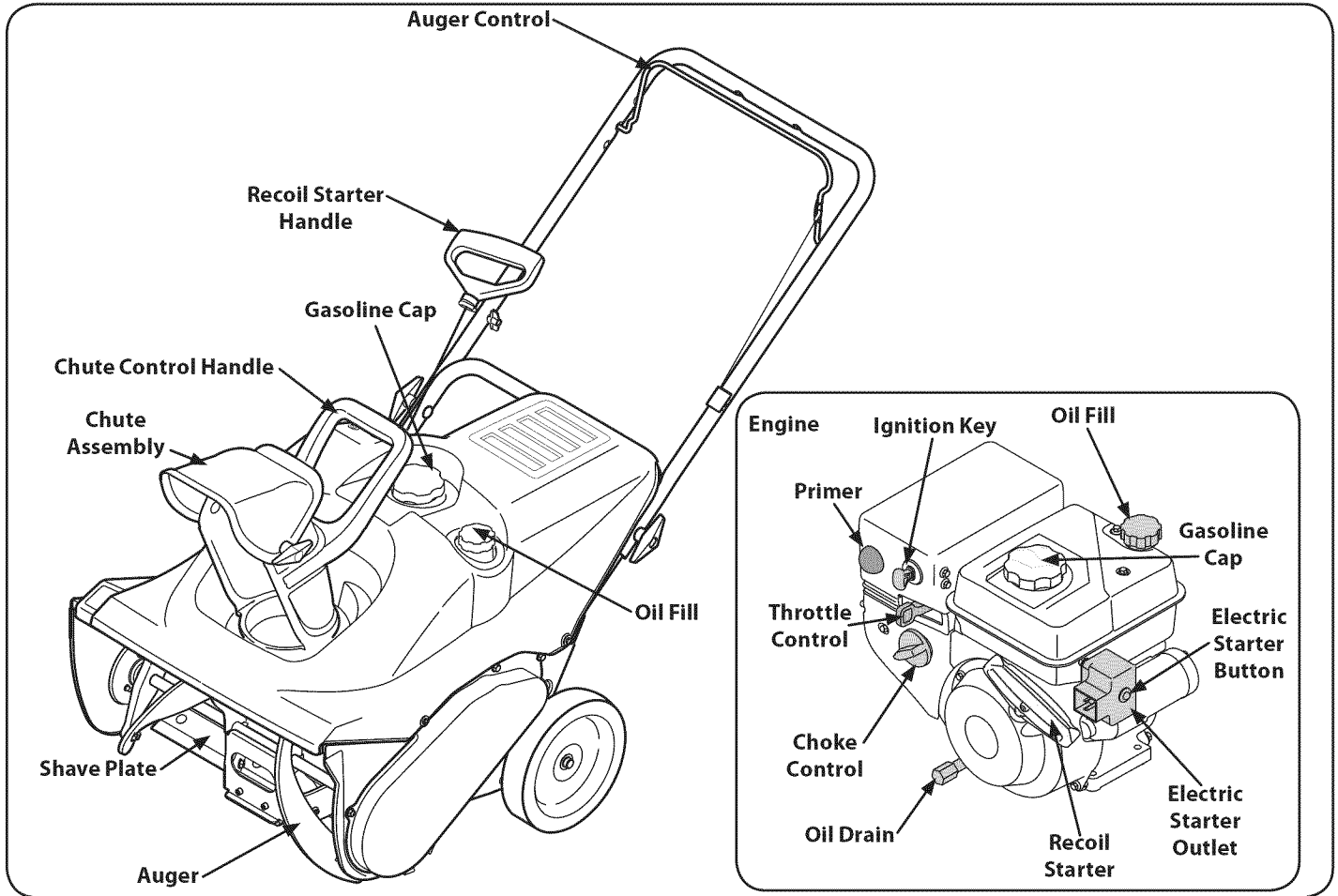
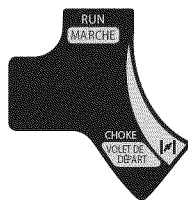


Figure 7

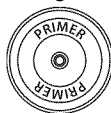
CHOKE LEVER

Activating the choke control closes the choke plate on carburetor and aids in starting engine.



PRIMER

Pressing primer forces fuel directly into engine's carburetor to aid in cold-weather starting.



IGNITION KEY

The ignition key is a safety device. It must be fully inserted in order for the engine to start. Remove the ignition key when the snow thrower is not in use.



NOTE: Do not turn the ignition key in an attempt to start the engine. Doing so may cause it to break.

THROTTLE



The throttle control is located on the rear of the engine. It regulates the speed of the engine and will shut off the engine when moved into the STOP position.

RECOIL STARTER

The starter handle is used to manually start the engine.

GASOLINE CAP

Remove the gas cap to add fuel.

AUGER

When engaged, the augers rotation draws snow into the auger housing and throws it out the discharge chute. Rubber paddles on the augers also aid in propelling the snow thrower as they come in contact with the pavement.

Meets ANSI Safety Standards

Craftsman Snow Throwers conform to the safety standard of the American National Standards Institute (ANSI).

OPERATION

AUGER CONTROL

Located on the upper handle, the auger control handle is used to engage and disengage drive to the auger. Squeeze the control handle against the upper handle to engage the auger; release it to disengage.

CHUTE ASSEMBLY

Rotate the discharge chute to the left or right using the chute handle. The pitch of the discharge chute controls the angle at which the snow is thrown. Loosen the wing knob on the side of the discharge chute before pivoting the discharge chute upward or downward. Retighten the knob once the desired position has been achieved.

SHAVE PLATE

The shave plate maintains contact with the pavement as the snow thrower is propelled, allowing snow close to the pavement's surface to be discharged.

ELECTRIC STARTER OUTLET

The electric starter outlet requires the use of a three-prong outdoor extension cord and a 120V power source/wall outlet.

NOTE: The electric starter is mounted to the plastic shroud and is shown in Figure 7 attached to the engine for easier reference.

ELECTRIC STARTER BUTTON

Pressing the electric starter button engages the engine's electric starter when plugged into a 120V power source.

BEFORE STARTING THE ENGINE

⚠ WARNING

Read, understand and follow all the instructions and warnings on the machine and in this manual before operating.

1. The spark plug wire was disconnected for safety. Attach the spark plug wire to the spark plug before starting.

STARTING THE ENGINE

⚠ WARNING

Always keep hands and feet clear of moving parts. Do not use a pressurized starting fluid. Vapors are flammable.

⚠ WARNING

To avoid carbon monoxide poisoning, make sure the engine is outdoors in a well-ventilated area.

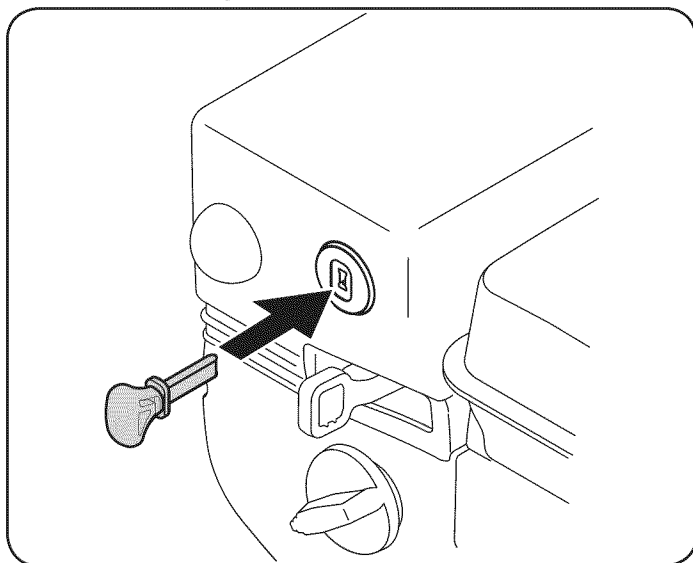
NOTE: Allow the engine to warm up for a few minutes after starting. The engine will not develop full power until it reaches operating temperatures.

Electric Starter

⚠ WARNING

The electric starter is equipped with a grounded three-wire power cord and plug, and is designed to operate on 120 volt AC household current. It must be used with a properly grounded three-prong receptacle at all times to avoid the possibility of electric shock. Follow all instructions carefully prior to operating the electric starter. **DO NOT** use electric starter in rain.

1. Determine that your home's wiring is a three-wire grounded system. Ask a licensed electrician if you are unsure. If you have a grounded three-prong receptacle, proceed as follows. If you do not have the proper house wiring, **DO NOT** use the electric starter under any conditions.
2. Insert the ignition key fully into the slot, Figure 8. Make sure it snaps into place. **DO NOT** turn the ignition key, doing so might cause it to break. The engine cannot start unless the key is inserted into the ignition switch.



OPERATION

3. Plug the extension cord into the electric outlet located on the plastic shroud. Plug the other end of extension cord into a three-prong 120-volt, grounded, AC outlet in a well-ventilated area. See Figure 9.

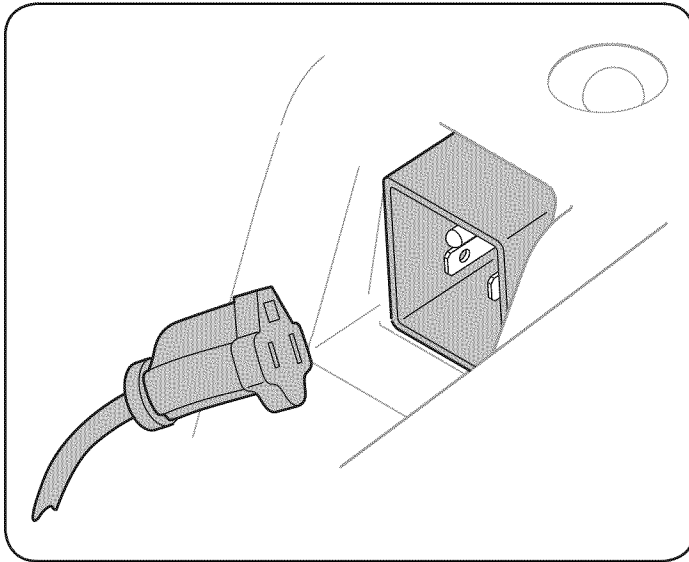



Figure 9

4. Move the throttle control to the FAST  (rabbit) position.
5. Move the choke to the ON position (cold engine start). If the engine is warm, place the choke in the OFF position.
6. Push the primer three to five (3-5) times, making sure to cover the vent hole when pushing. If the engine is warm, push the primer only once. Always cover the vent hole when pushing. Cool weather may require priming to be repeated.
7. Push the starter button to start the engine. Once the engine starts, immediately release the starter button. The electric starter is equipped with thermal overload protection; the system will temporarily shut-down to allow starter to cool if electric starter becomes overloaded.
8. As the engine warms, slowly rotate the choke control to the OFF position. If the engine fails, restart the engine and run with the choke at half-choke position for a short period of time, and then slowly rotate the choke into the OFF position.
9. After the engine is running, disconnect the power cord from the electric starter. When disconnecting, always unplug the end at the wall outlet before unplugging the opposite end from the engine.

Recoil Starter


CAUTION

Do not pull the starter handle while the engine running.

WARNING

To avoid unsupervised engine operation, never leave the engine unattended while running. Turn the engine off after use and remove ignition key.

1. Insert the ignition key fully into the slot, Figure 9. Make sure it snaps into place. DO NOT turn the ignition key. The engine cannot start unless the key is inserted into the ignition switch.


2. Move the throttle control to the FAST  (rabbit) position.
3. Move the choke to the ON position (cold engine start). If the engine is warm, place the choke in the OFF position.
4. Push the primer three to five (3-5) times, making sure to cover the vent hole when pushing. If the engine is warm, push the primer only once. Always cover the vent hole when pushing. Cool weather may require priming to be repeated.
5. Pull gently on the starter handle until it begins to resist, then pull quickly and forcefully to overcome the compression. Do not release the handle and allow it to snap back. Return the rope SLOWLY to the original position. If required, repeat this step.
6. As the engine warms, slowly rotate the choke control to the OFF position. If the engine falters, restart the engine and run with the choke at half-choke position for a short period of time, and then slowly rotate the choke into OFF position.

STOPPING THE ENGINE

WARNING

To avoid unsupervised engine operation, never leave the engine unattended while running. Turn the engine off after use and remove ignition key.

Run the engine for a few minutes before stopping to help dry off any moisture on the engine.

1. Move the throttle control to the STOP  (turtle) position.
2. Remove the ignition key. Removing the key will reduce the possibility of unauthorized starting of the engine while the equipment is not in use. Keep the key in a safe place. The engine cannot start without the ignition key.
3. Wipe all the snow and moisture away from the engine controls area.

TO ENGAGE AUGERS

To engage the augers and start throwing snow, squeeze the auger control against the handle. Release to stop the augers.

ENGAGING THE DRIVE

Lift up slightly on the handle to allow the rubber paddles on the auger to contact the pavement and propel the snow thrower forward. Pushing downward on the handle will raise the augers off the ground and stop the forward motion.

NOTE: Excessive upward pressure on the handle will result in premature wear to the rubber auger paddles, which is not covered by the warranty.

SERVICE AND MAINTENANCE

MAINTENANCE SCHEDULE

⚠ WARNING

Before performing any type of maintenance/service, disengage all controls and stop the engine. Wait until all moving parts have come to a complete stop. Disconnect spark plug wire and ground it against the engine to prevent unintended starting. Always wear safety glasses during operation or while performing any adjustments or repairs.

Follow the maintenance schedule given below. This chart describes service guidelines only. Use the Service Log column to keep track of completed maintenance tasks. **To locate the nearest Sears Service Center or to schedule service, simply contact Sears at 1-800-4-MY-HOME®.**

Interval	Item	Service	Service Log
Each Use	1. Engine oil level. 2. Snow Thrower and exhaust area.	1. Check 2. Clean	
1st 5 hours	1. Engine oil.	1. Change.	
Every 5 hours	1. Engine oil. 2. Exhaust area.	1. Check. 2. Clean.	
25 hours	1. Spark Plug.	2. Check.	
Every season/50 hours	1. Engine oil	1. Change	
Every season/100 hours	1. Spark plug	1. Clean, replace, re-gap	
Every season/Before storage	1. Pivot points 2. Control handle 3. Extension spring	1. Lubricate 2. Lubricate 3. Lubricate	

ENGINE MAINTENANCE

⚠ WARNING

To prevent accidental start-up, shut off the engine and remove the ignition key before performing any type of engine maintenance.

Periodic inspection and adjustment of the engine is essential if high level performance is to be maintained. Regular maintenance will also ensure a long service life. The required service intervals and the type of maintenance to be performed are described in the table above. Follow the hourly or calendar intervals, whichever occur first. More frequent service is required when operating in adverse conditions.

CHECKING ENGINE OIL

1. Remove the oil filler cap/dipstick and wipe the dipstick clean. Refer to Figure 4.
2. Insert the cap/dipstick into the oil filler neck, but DO NOT screw it in.
3. Remove the oil filler cap/dipstick. If the level is low, slowly add oil until oil level registers between high (H) and low (L), Refer to Figure 4.

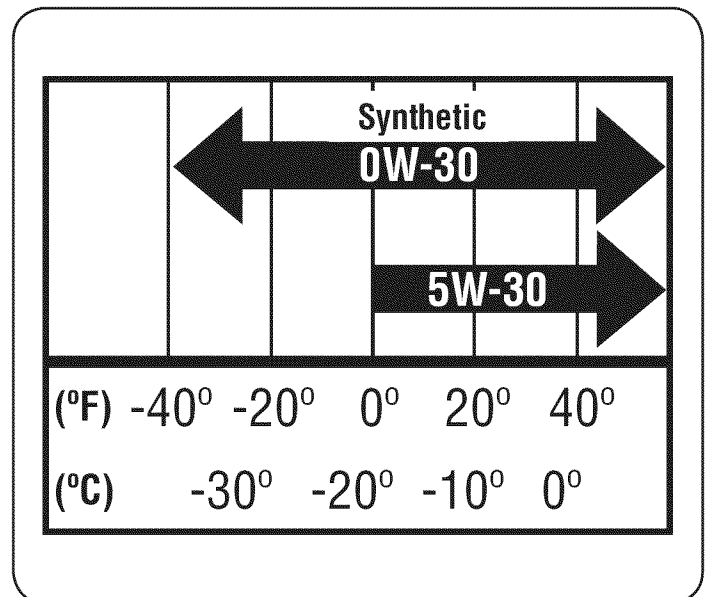
NOTE: Do not overfill. Overfilling the engine with oil may result in the engine smoking, hard starting or spark plug fouling.

Oil Recommendations

When adding oil to the engine, refer to the viscosity chart below (Figure 10). Engine oil capacity is 600 ml (approx. 20 oz.). Do not over-fill. Use a 4-stroke, or an equivalent high detergent, premium quality motor oil certified to meet or exceed U.S. automobile manufacturer's requirements for service classification SG, SF. Motor oils classified SG, SF will show this designation on the container.

⚠ CAUTION

DO NOT use non-detergent oil or 2-stroke engine oil. It could shorten the engine's service life.



SERVICE AND MAINTENANCE

CHANGING ENGINE OIL

NOTE: Check the oil level before each use and after every five hours of operation to be sure the correct oil level is maintained. Refer to Checking Engine Oil.

1. Drain fuel from the tank by running the engine until the fuel tank is empty. Be sure the fuel fill cap is secure.
2. Place a suitable oil collection container under the oil drain plug.
3. Remove the oil drain plug, Figure 11.

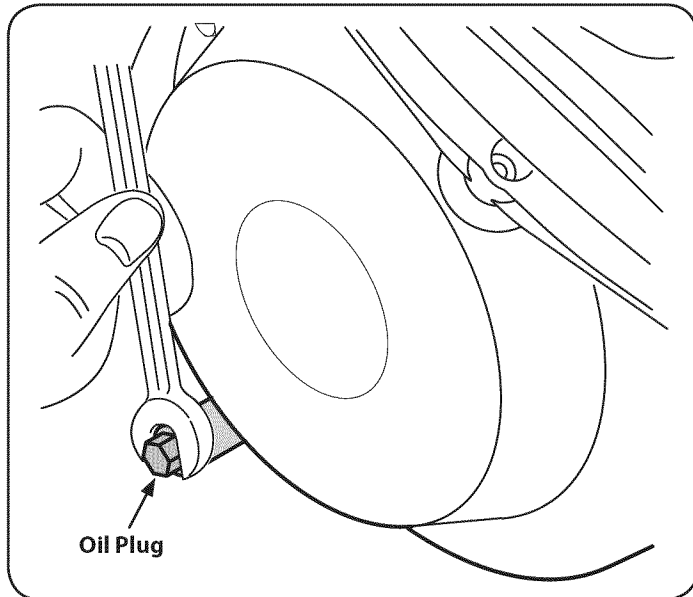


Figure 11

4. Tip the engine to drain oil into the container. Used oil must be disposed of at a proper collection center.
5. Reinstall the drain plug and tighten it securely.
6. Refill with the recommended oil and check the oil level; refer to Checking Engine Oil on page 13 for instructions.
7. Reinstall the oil filler cap/dipstick securely.

⚠ CAUTION

Thoroughly wash your hands with soap and water as soon as possible after handling used oil.

NOTE: Please dispose of used motor oil in a manner that is friendly to the environment. Take it to a recycling center or other collection center.

SPARK PLUG

⚠ WARNING

DO NOT check for a spark with the spark plug removed. DO NOT crank the engine with the spark plug removed.

⚠ WARNING

If the engine has been running, the muffler will be very hot. Be careful not to touch the muffler

Check spark plug every 25 hours and change once a season or every 100 hours. To ensure proper engine operation, the spark plug must be properly gapped and free of deposits.

1. Remove the spark plug boot and use a spark plug wrench to remove the plug, Figure 12

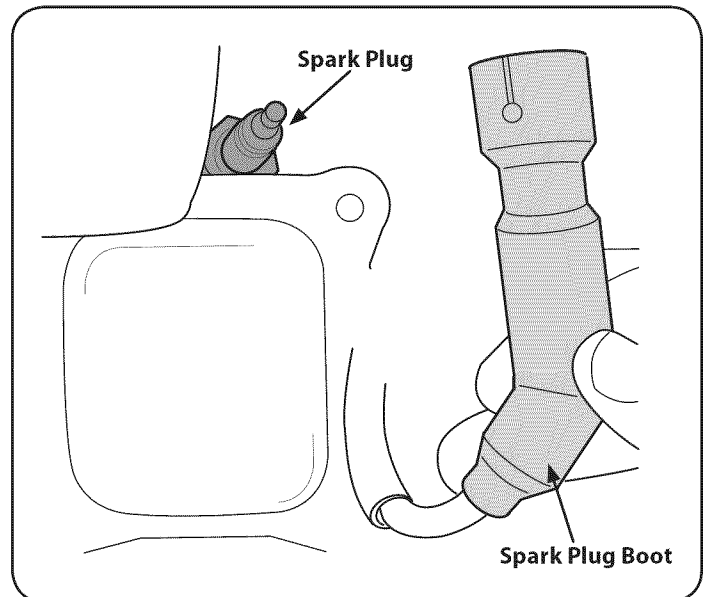


Figure 12

2. Visually inspect the spark plug. Discard the spark plug if there is any apparent wear, or if the insulator is cracked or chipped. Clean the spark plug with a wire brush if it is to be reused.
3. Measure the plug gap with a feeler gauge. Correct as necessary by bending the side electrode, Figure 13. The gap should be set to .02-.03 inches (0.60-0.80 mm).

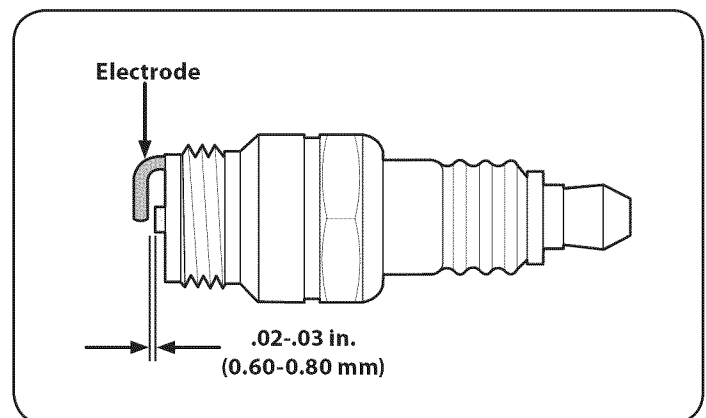


Figure 13

SERVICE AND MAINTENANCE

4. Check that the spark plug washer is in good condition and thread the spark plug in by hand to prevent cross-threading.
5. After the spark plug is seated, tighten with a spark plug wrench to compress the washer.
3. Loosen the four lock nuts and bolts which secure the shave plate to the housing. See Figure 14. Move the shave plate to the desired position and retighten the nuts and bolts securely.

NOTE: When installing a new spark plug, tighten 1/2-turn after the spark plug seats to compress the washer. When reinstalling a used spark plug, tighten 1/8- to 1/4-turn after the spark plug seats to compress the washer.

⚠ CAUTION

The spark plug must be tightened securely. A loose spark plug can become very hot and can damage the engine.

CLEANING THE ENGINE

If the engine has been running, allow it to cool for at least half an hour before cleaning. Periodically remove dirt build-up from engine.

⚠ CAUTION

Do not spray the engine with water to clean it because the water could contaminate the fuel. Using a garden hose or pressure washing equipment can also force water into the muffler opening. Water that passes through the muffler can enter the cylinder and cause damage.

⚠ WARNING

Accumulation of debris around the muffler could cause a fire. Inspect and clean before every use.

LUBRICATION

Lubricate the pivot points on the control handle and the extension spring at the end of the control cable with a light oil once every season and before the snow thrower is put into storage at the end of the season.

ADJUSTMENTS

⚠ WARNING

Before Servicing, repairing or inspecting the snow thrower, disengage the auger control. Stop the engine and remove the key to prevent unintended starting.

Shave Plate

To check the adjustment of the shave plate, place the machine on a level surface. The wheels, shave plate and augers should all contact the level surface. Note that if the shave plate is adjusted too high, snow may blow under the auger housing. If the shave plate wears out excessively, or the snow thrower does not self-propel, the shave plate may be too low and needs to be adjusted.

NOTE: On new snow throwers or machines with a new shave plate installed, the augers may be slightly off the ground.

To adjust the shave plate proceed as follows:

1. Drain the gas from the snow thrower.
2. Pull the starter cord until resistance is felt. Then tip the snow thrower back until it rests on the handles.

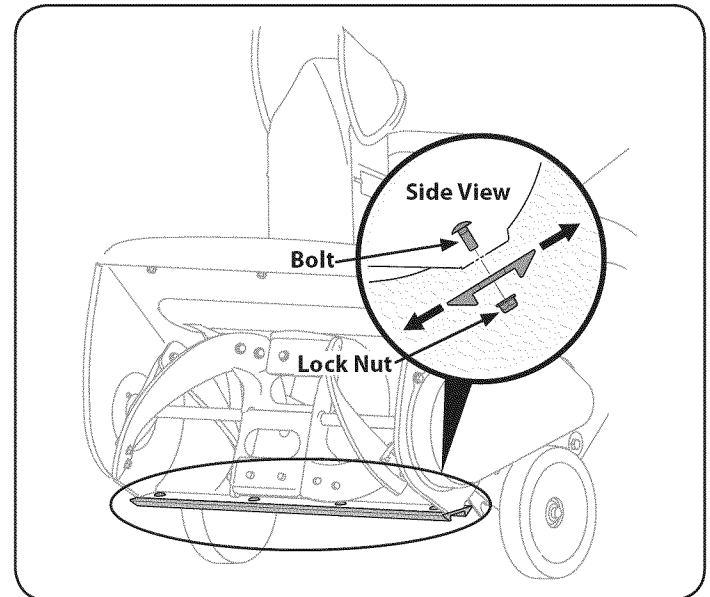


Figure 14

4. Tip the snow thrower back to the operating position and pull the starter handle a few times to see if it is difficult to pull.
5. If the starter is difficult to pull, remove the spark plug and pull the handle several times to ensure that any oil trapped in the head is removed.

⚠ CAUTION

Oil may come out of the spark plug hole when it is removed and the starter handle is pulled.

6. Inspect the spark plug. If it is wet, clean off any oil before re-installing.

SERVICE AND MAINTENANCE

Control Cable

As a result of both the control cable and the auger drive belt stretching due to wear, periodic adjustments may be necessary. If the auger seems to hesitate when rotating, proceed as follows:

The upper hole in the control handle provides for an adjustment in cable tension. To adjust, disconnect the end of control cable from the bottom hole in the control handle and reinsert it in the upper hole. Insert the cable from the outside as shown in Figure 15.

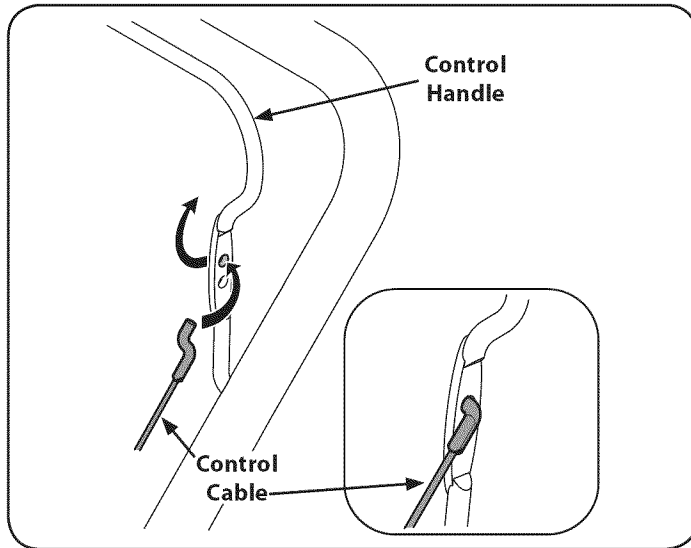


Figure 15

Test the snow thrower to see if there is a noticeable difference. If after the adjustment to the control cable the auger still hesitates when rotating, see Replacing Belt for instructions on replacing the belt.

Chute Assembly

Refer to the Assembly Section for instructions on adjusting the chute assembly.

REPLACING BELT

Auger Drive Belt

1. Remove the belt cover by removing the five hex screws that secure it to the frame. See Figure 16.

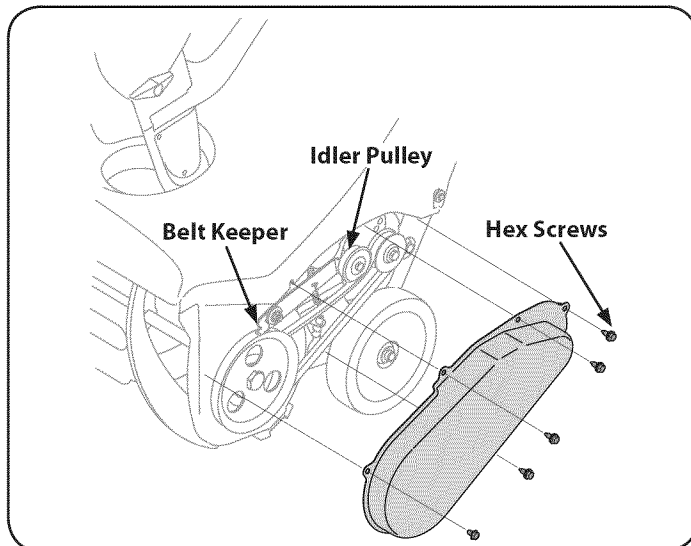


Figure 16

2. Remove the belt by grasping it from the bottom of the auger pulley and pulling outward.

NOTE: Push down on the idler pulley to release the belt from under the belt keeper. See Figure 16.

To replace the belt follow these instructions and refer to Figure 17:

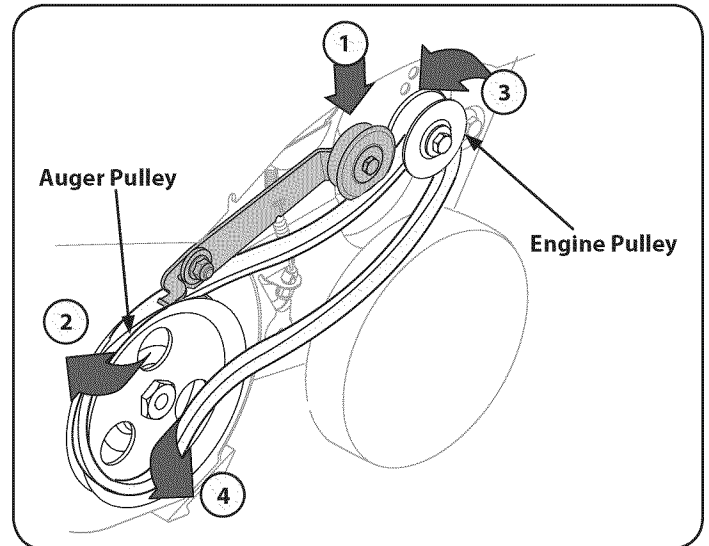


Figure 17

1. Push down on the idler pulley.
2. Position the belt on top of the auger pulley and under the belt keeper.
3. Route the belt around the engine pulley.
4. Push the belt over the bottom of the auger pulley.
5. Reinstall the belt cover removed earlier.

SERVICE AND MAINTENANCE

REPLACING AUGER PADDLES

The snow thrower auger's rubber paddles are subject to wear and should be replaced if any signs of excessive wear are present.

⚠ CAUTION

Do NOT allow the auger's rubber paddles to wear to the point where portions of the metal auger itself can come in contact with the pavement. Doing so can result in serious damage to your snow thrower.

To change the rubber paddles, proceed as follows:

1. Remove the existing rubber paddles by unscrewing the self-tapping screws which secure them to the auger. See Figure 18.

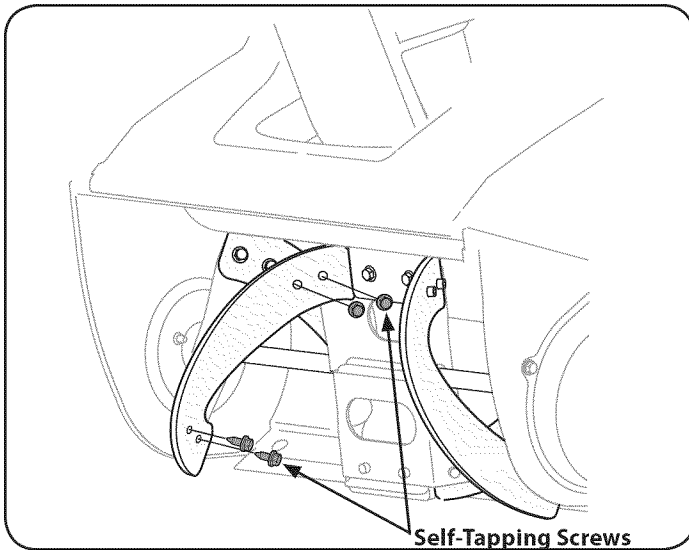


Figure 18

2. Secure the replacement rubber paddles to the auger using the hardware removed earlier.

To obtain replacement paddles call Sears at 1-800-4-MY-HOME. Ask for part # 735-04033

REPLACING SHAVE PLATE

The shave plate is attached to the bottom of the auger housing and is subject to wear. It should be checked periodically. There are two wearing edges and the shave plate can be reversed.

1. Remove the four carriage bolts and hex lock nuts which attach it to the snow thrower housing.
2. Reverse the existing shave plate or install a new one, making sure the heads of the carriage bolts are on the inside of the housing.
3. Adjust the shave plate as instructed on page 15.
4. Tighten securely once adjusted.

To obtain a new shave plate, call Sears at 1-800-4-MY-HOME. Ask for part #731-1033.

OFF-SEASON STORAGE

If the snow thrower will not be used for 30 days or longer, or if it is the end of the snow season when the last possibility of snow is gone, the equipment needs to be stored properly. Follow storage instructions below to ensure top performance from the snow thrower for many more years.

PREPARING ENGINE

Engines stored over 30 days need to be drained of fuel to prevent deterioration and gum from forming in fuel system or on essential carburetor parts. If the gasoline in your engine deteriorates during storage, you may need to have the carburetor, and other fuel system components, serviced or replaced.

1. Remove all fuel from tank by running engine until it stops.
 2. Change the engine oil.
 3. Remove spark plug and pour approximately 1 oz. (30 ml) of clean engine oil into the cylinder. Pull the recoil starter several times to distribute the oil, and reinstall the spark plug.
 4. Clean debris from around engine, and under, around, and behind muffler. Apply a light film of oil on any areas that are susceptible to rust.
- Store in a clean, dry and well ventilated area away from any appliance that operates with a flame or pilot light, such as a furnace, water heater, or clothes dryer. Avoid any area with a spark producing electric motor, or where power tools are operated.

WARNING

Never store snow thrower with fuel in tank indoors or in poorly ventilated areas, where fuel fumes may reach an open flame, spark or pilot light as on a furnace, water heater, clothes dryer or gas appliance.

- If possible, avoid storage areas with high humidity.
- Keep the engine level in storage. Tilting can cause fuel or oil leakage.

PREPARING SNOW THROWER

- When storing the snow thrower in an unventilated or metal storage shed, care should be taken to rustproof the equipment. Using a light oil or silicone, coat the equipment, especially any chains, springs, bearings and cables.
- Remove all dirt from exterior of engine and equipment.
- Follow lubrication recommendations.
- Store equipment in a clean, dry area.

TROUBLESHOOTING

⚠ WARNING

Before performing any type of maintenance/service, disengage all controls and stop the engine. Wait until all moving parts have come to a complete stop. Disconnect spark plug wire and ground it against the engine to prevent unintended starting. Always wear safety glasses during operation or while performing any adjustments or repairs.

This section addresses minor service issues. To locate the nearest Sears Service Center or to schedule service, simply contact Sears at 1-800-4-MY-HOME®.

Problem	Cause	Remedy
Engine fails to start	<ol style="list-style-type: none"> 1. Fuel tank empty, or stale fuel. 2. Blocked fuel line. 3. Key not inserted all the way. 4. Spark plug wire disconnected. 5. Faulty spark plug. 6. Engine not primed. 7. Engine flooded from excessive priming. 	<ol style="list-style-type: none"> 1. Fill tank with clean fresh gasoline. 2. Clean fuel line. 3. Insert key all the way. 4. Connect wire to spark plug. 5. Clean spark plug, readjust gap, or replace. 6. Prime engine five to seven times. 7. Wait at least ten minutes before starting.
Engine runs erratically	<ol style="list-style-type: none"> 1. Engine running on choke. 2. Fuel line blocked, or stale fuel. 3. Water or dirt in fuel system. 4. Carburetor out of adjustment. 	<ol style="list-style-type: none"> 1. Move choke lever to OFF position. 2. Clean fuel line and fill tank with fresh, clean gasoline. 3. Drain fuel tank. Refill with fresh fuel. 4. Contact a Sears Service Center.
Engine overheats	<ol style="list-style-type: none"> 1. Carburetor out of adjustment. 	<ol style="list-style-type: none"> 1. Contact a Sears Service Center.
Loss of power	<ol style="list-style-type: none"> 1. Spark plug wire loose. 2. Vent in gas cap plugged. 	<ol style="list-style-type: none"> 1. Firmly connect spark plug wire. 2. Clear vent.
Excessive vibration	<ol style="list-style-type: none"> 1. Loose parts or damaged auger. 	<ol style="list-style-type: none"> 1. Stop engine immediately and disconnect spark plug wire. Check for possible damage. Tighten all bolts and nuts. Repair as needed. If the problem persists, take snow thrower to a Sears Service Dealer.
Snow thrower fails to self-propel	<ol style="list-style-type: none"> 1. Auger control cable out of adjustment. 2. Auger drive belt loose or damaged. 	<ol style="list-style-type: none"> 1. Adjust auger control cable as shown in Service and Maintenance section. 2. Replace auger drive belt.
Augers continue to rotate	<ol style="list-style-type: none"> 1. Auger control cable out of adjustment. 	<ol style="list-style-type: none"> 1. Adjust auger control cable as shown in Service and Maintenance section.
Unit fails to discharge snow	<ol style="list-style-type: none"> 1. Chute assembly clogged. 2. Foreign object lodged in auger. 3. Auger control cable out of adjustment. 4. Auger belt loose or damaged. 	<ol style="list-style-type: none"> 1. Stop engine and disconnect spark plug wire. Clean chute and inside of auger housing with clean-out tool or stick. 2. Stop engine immediately and disconnect the spark plug wire. Remove object from auger. 3. Adjust auger control cable. 4. Replace auger belt.

NEED MORE HELP?

You'll find the answer and more on managemyhome.com – for free!

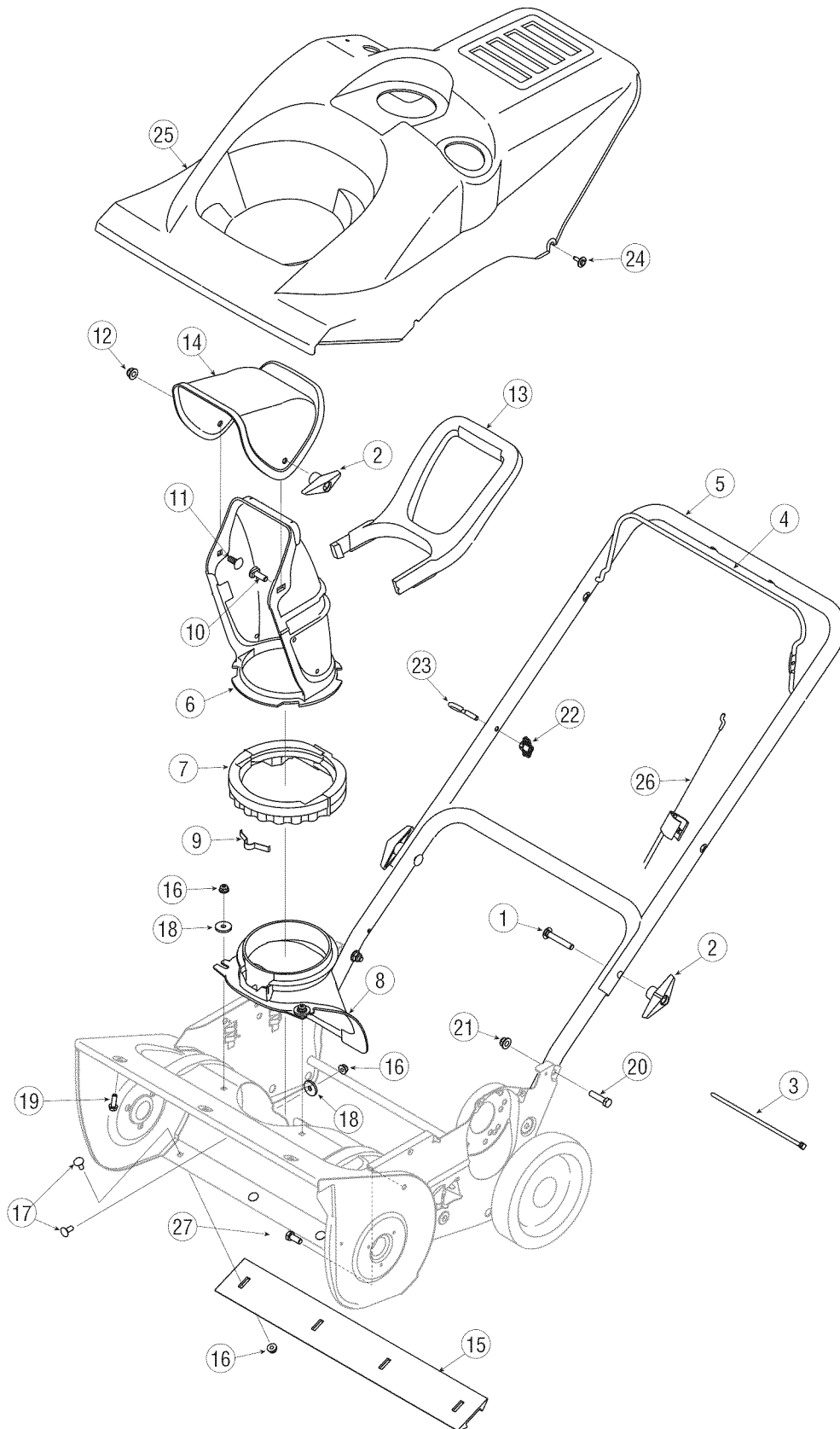
- Find this and all your other product manuals online.
- Get answers from our team of home experts.
- Get a personalized maintenance plan for your home.
- Find information and tools to help with home projects.

manage my home

brought to you by Sears

PARTS LIST

Craftsman Snow Thrower Model 247.88705



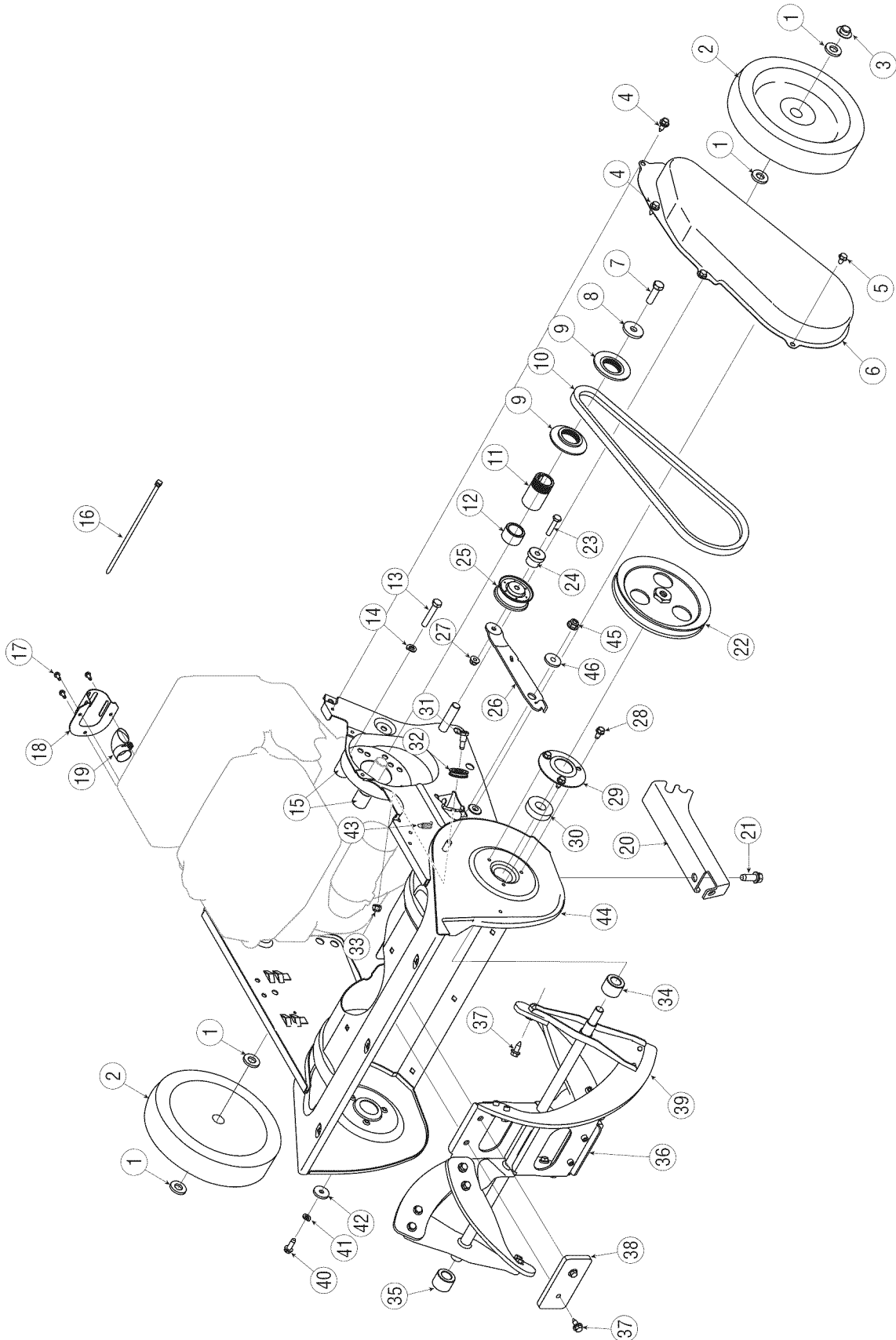
PARTS LIST

Craftsman Snow Thrower Model 247.88705

Ref. No.	Part No.	Description
1.	710-04532	Carriage Screw, 5/16-18 x 2.00
2.	720-0284	Wing Knob, 5/16-18
3.	725-0157	Cable Tie, 3/16 x .05 x 7.4
4.	747-04165-0637	Bail Control
5.	749-04459-0637	Upper Handle
6.	731-04127	Lower Chute
7.	731-04353	Chute Ring
8.	731-04886	Chute Adapter
9.	732-04111	Chute Adjustment Spring
10.	710-04071	Carriage Bolt. 5/16-18 x 1.00
11.	710-0451	Carriage Bolt. 5/16-18 x .750
12.	712-04063	Flange Lock Nut, 5/16-18
13.	731-04388A	Chute Handle
14.	731-04426A	Upper Chute
15.	731-1033	Shave Plate, 21"
16.	712-04064	Flange Lock Nut, 1/4-20
17.	710-0134	Carriage Screw, 1/4-20
18.	736-0176	Flat Washer, .265 x .938 x .120
19.	710-0895	Hex Screw, 5/16-18 x .750
20.	710-0528	Hex Screw, 5/16-18 x 1.25
21.	712-04063	Flange Lock Nut, 5/16-18
22.	720-0279	Handle Knob
23.	710-1205	Eye Bolt, 1/4-20
24.	710-04669	Hex Screw, 10-16 x .625
25.	731-06551	Shroud
26.	746-04237	Clutch Cable
27.	710-3008	Hex Screw, 5/16-18 x .75

PARTS LIST

Craftsman Snow Thrower Model 247.88705



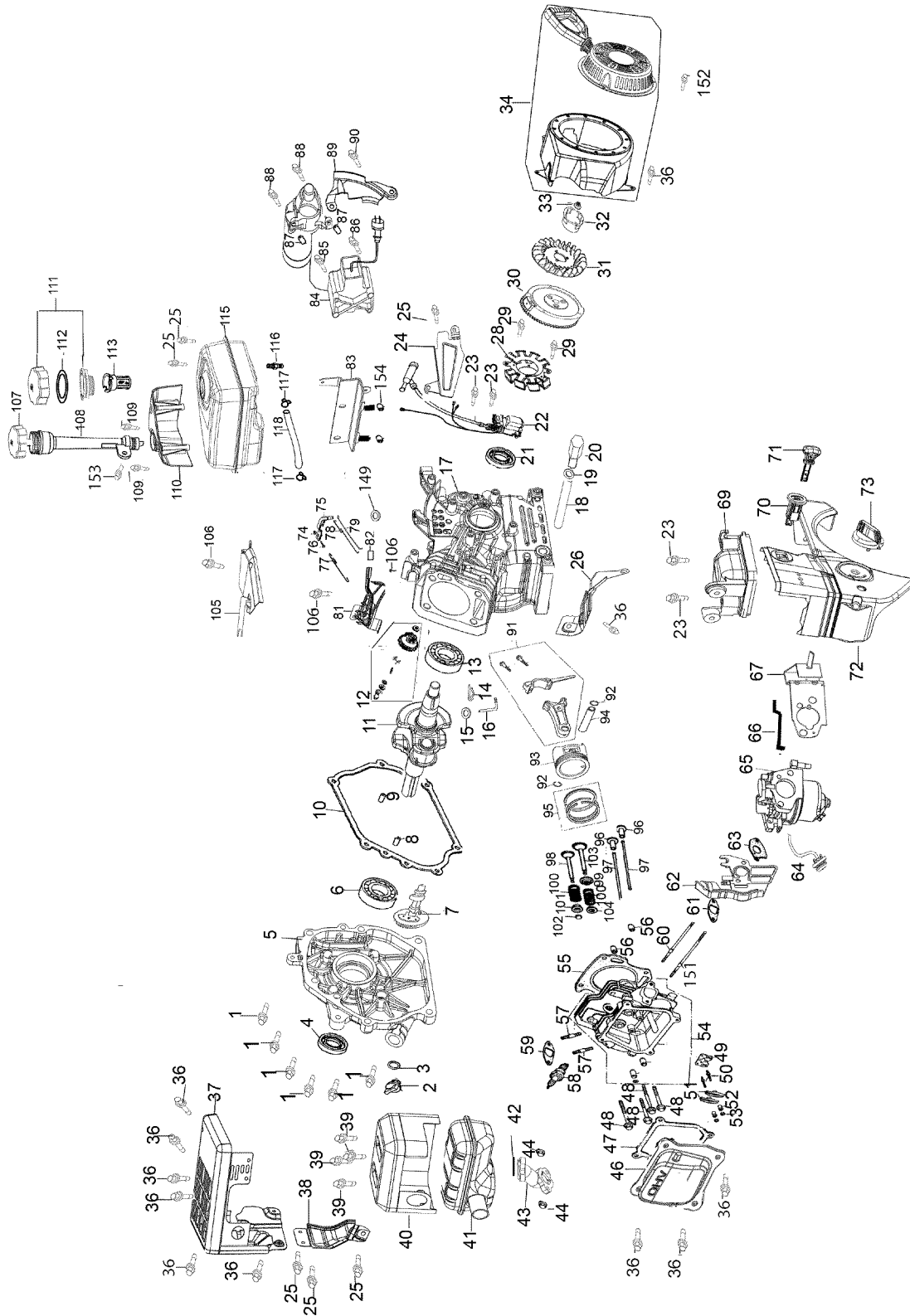
PARTS LIST

Craftsman Snow Thrower Model 247.88705

Ref. No.	Part No.	Description	Ref. No.	Part No.	Description
1.	736-0326	Flat Washer, .510 x 1.000 x .125	24.	750-04571	Shoulder Spacer, .260 x .785 x .538
2.	734-1855	Wheel, 8 x 1.7	25.	684-04168	Idler Pulley Assembly, 1.917 OD
3.	726-0299	Push Cap, 1/2"	26.	790-00238A-0637	Idler Bracket
4.	710-0896	Hex Screw, 1/4-14 x .625	27.	712-04064	Flange Lock Nut, 1/4-20
5.	710-0653	Hex Screw, 1/4-20 x .375	28.	710-1005	Hex Screw, 1/4-14 x .500
6.	790-00045B-0721	Belt Cover	29.	790-00249-0637	Bearing Cap
7.	710-0879	Hex Bolt, 3/8-24 x 1.25	30.	741-04188A	Ball Bearing, .625 x 37 x 12 x .6301
8.	736-0247	Flat Washer, .406 x 1.25 x .157	31.	738-0924A	Shoulder Screw, .340 x .335 x C
9.	756-04353A	Pulley Half, 4L-V x .240 OD	32.	756-0625	Cable Roller
10.	754-04204	V-Belt	33.	712-0896	Hex Lock Nut, 1/4-28
11.	750-04303	Spacer, .875 ID x 1.185 OD	34.	750-04757	Auger Spacer, LH
12.	750-05084	Spacer, .88 ID x 1.18 OD x .74	35.	750-04758	Auger Spacer, RH
13.	710-0409	Hex Bolt, 5/16-24 x 1.75	36.	684-04253-0637	Auger Assembly, 21" (Incl. 37, 38 & 39)
14.	736-0119	Lock Washer, 5/16	37.	710-0896	Hex Screw, 1/4-14 x .625
15.	750-04297B	Spacer, .875 x .320 x 1.027	38.	735-04033	Rubber Paddle
16.	726-0154	Cable Tie, 7.5"	39.	735-04032	Spiral Crescent
17.	710-0148	Hex Screw, #8-32 x .375	40.	710-0642	Hex Screw, 1/4-20 x .750
18.	751-10768	Heat Shield	41.	736-0329	Lock Washer, 1/4
19.	751-10769	Exhaust Tube	42.	736-0176	Flat Washer, .265 x .938 x .120
20.	790-00334-0637	Engine Support Bracket	43.	732-0357A	Extension Spring, .33 OD x 1.12
21.	710-0654A	Hex Screw, 3/8-16 x 1.000	44.	684-04314-0721	Auger Housing, 21"
22.	756-04232	Pulley, 1/2 x 6.00 OD	45.	712-04063	Flange Lock Nut, 5/16-18
23.	710-0106	Hex Screw, 1/4-20 x 1.25	46.	748-0234	Shoulder Spacer

PARTS LIST

Craftsman Engine Model ZS365-SUA For Snow Thrower Model 247.88705



PARTS LIST

Craftsman Engine Model ZS365-SUA For Snow Thrower Model 247.88705

Part No.	Description	Ref. No.	Part No.	Description	Ref. No.
751-10645A	Electric Starter	84	751-10974	Carburetor Assembly	65
710-04934	Screw, M4 x 55	85	751-11020	Carburetor Kit Major	—
710-04935	Screw, M4 x 60	86	710-04910	Stud, M6 x 105	60
751-10646	Ignition Coil	22	751-10635	Air Filter Heating Pipe Cover	69
710-04919	Flange Bolt, M6 x 25	23	751-10637	Ignition Switch	70
710-04940	Bolt, M6 x 10	25	751-10630	Ignition Key	71
751-10663A	Fan Cover Complete	112	712-04216	Nut, M6	74
751-10658	Recoil Starter Assembly	121	751-10636	Choke Lever	73
710-04903	Fuel Drain Plug	122	751-10634	Engine Shroud	72
710-04938	Fuel Drain Plug	124	710-04927	Bolt, Flange, M5 x 8	39
751-11138	Governor Arm	75	751-10643	Muffler Shield	40
710-04929	Bolt, M6 x 20	76	751-10640	Choke Push Rod	66
751-10654	Governor Spring	77	751-10651	Fuel Tank Nipple	116
751-10664	Throttle Return Spring	78	751-10307	Flywheel Key	149
751-10665	Governor Rod	79	731-05696	Starter Handle	N/A
712-04212	Nut, M6	154	952Z365-SUA	Engine Complete	N/A
710-04918	Flange Bolt, M6 x 20	90	710-04914	Flange Bolt, M6 x 10	152
710-04941	Bolt, M6 x 12	106	751-10719	Stator	28
751-10655	Dipstick	107	712-04209	Nut, M14	33
751-10656	Dipstick Tube	108	751-10911	Starter Cup	32
710-04905	Bolt	109	751-10909	Cooling Fan	31
751-10662	Cover - Engine/Dipstick	110	751-10805	Flywheel	30
751-10652	Fuel Filter	113	710-04920	Bolt, M6 x 28	29
710-04928	Bolt, Flange, M6 x 12	114	751-10757	Throttle Control Knob	82
751-10653A	Fuel Tank	115	751-10758	Throttle Control Assembly	81
712-04213	Nut	148	751-11108	Governor Shield	105
710-04942	Bolt, M6 x 16, Fill Tube	153	715-04088	Dowel Pin	87
710-04928	Flange Bolt, M6 x 12	36	710-04943	Bolt, M6 1 x 28	88
751-10642A	Muffler Shroud	37	751-11109	Blower Housing Shield	89
712-04210	Nut, M8	44	751-11110	Air Flow Shield	24
710-04928	Bolt, M6 x 12	45	751-11111	Exhaust Pipe Shield	38
710-04933	Bolt, M8 x 55	48	751-11112	Choke Control Bracket	67
710-04939	Stud, M6 x 118	151	751-11113	Air Shield	26
751-10666	Muffler Gasket	59	751-11114	Switch Mounting Housing Bracket	83
751-10292	Spark Plug	58	751-11012	Recoil Mounting Bolts	35
751-10657	Stud, M8 x 34	57	751-10768	Exhaust Deflector Shield	120
751-10639	Primer	64			

PARTS LIST

Craftsman Engine Model ZS365-SUA For Snow Thrower Model 247.88705

Part No.	Description	Ref. No.	Part No.	Description	Ref. No.	
751-10723A	Gasket Kit Complete		751-10724	Short Block		
	Oil Seal	4		Crankcase Complete	17	
	Crankcase Cover Gasket	10		Oil Pipe Reserve	N/A	
	O-ring	15		Crankcase Cover	5	
	Cylinder Head Gasket	55		Piston	93	
	Muffler Gasket	59		Piston Ring Set - Complete	95	
	Head Cover Gasket	47		Piston Pin	94	
	Carb Insulator Gasket	61		Piston Pin Clip	92	
	Carburetor Insulator	62		Connecting Rod Assembly Complete	91	
	Carburetor Gasket	63		Valve Lifter (Tappet)	96	
	Paper Gasket	42		Camshaft Assembly	7	
736-04440	Oil Drain Washer	19	Carburetor Insulator plate gasket	61		
751-10661A	Gasket Kit External		Crankshaft Assembly	11		
	Oil Drain Washer	19	Carburetor Insulator Plate	62		
	Muffler Gasket	59	Muffler Gasket	59		
	Carburetor Insulator Gasket	61	Governor Arm Shaft	16		
	Carburetor Insulator	62	714-04074	Governor Shaft Clip	14	
	Carburetor Gasket	63	Governor Assembly	12		
751-10722	Head Cover Gasket	47	Case Cover Gasket	10		
	Cylinder Head Assembly		Cylinder Head Gasket	55		
	Rocker Arm	51	Valve Cover Gasket	47		
	Intake Valve	103	710-04907	Oil Drain Bolt	20	
	Exhaust Valve	98	736-04440	Oil Drain Plug Washer	19	
	Valve Spring	100	715-04092	Dowel Pin, 7 x 14	9	
	Valve Spring Retainers - Exhaust	101	715-04089	Dowel Pin, 9 x 14	8	
	751-11123	Pivot Adjusting Nut	52	715-04090	Dowel Pin	56
	751-11124	Rocker Arm Lock Nut	53	Radial Ball Bearing	13	
	710-04902	Rocker Arm Studs	50	710-04932	Bolt	1
	Push Rod Guide	49	Oil Seal	4		
	Valve Cover Gasket	47	Radial Ball Bearing	6		
	Carburetor Insulator Plate Gasket	61	O-ring - Governor Arm	15		
	Carburetor Insulator Plate	62	Oil Filler Plug	2		
	Muffler Gasket	59	O-ring - Oil Filler Plug	3		
	Cylinder Head Gasket 170	55	Oil Drain Pipe	18		
	Cylinder Head	N/A				
	Exhaust Valve Adjuster	102				
	Valve Spring Retainer- Intake	104				

PARTS LIST

Craftsman Engine Model ZS365-SUA For Snow Thrower Model 247.88705

Part No.	Description	Ref. No.
751-11100	Crankcase Kit	
	Governor Seal	150
	Radial Ball Bearing	13
	O-ring - Governor Arm	15
	Crankcase Complete	17
	Seal	21
751-10769	Exhaust Deflector Pipe	119
751-11054	Valve Cover	46
751-10641	Oil Drain Assembly	
	Oil Drain Pipe	18
	Drain Bolt	2
751-10647	Valve Kit	
	Exhaust Valve	98
	Intake Valve	103
751-10648	Push Rod Kit	
	Push Rod	97
751-10649	Fuel Cap Assembly	
	Fuel Cap Complete	111
	Packing (Gasket)	N/A
	Clip (Gasket Retainer)	N/A
751-10650	Fuel Line Kit	
	Fuel Line Clamp	117
	Fuel Line	118

Part No.	Description	Ref. No.
751-10669	Oil Fill Plug Assembly	
	Oil Fill Plug	2
	O-ring	3
751-10644	Muffler Assembly Complete	
	Muffler Assembly	41
	Exhaust Pipe	43
751-11098	Crankcase Cover Kit	
710-04932	Bolt	1
	Oil Filler Plug	2
	O-ring - Oil Filler Plug	3
	Oil Seal	4
	Crankcase Cover	5
	Radial Ball Bearing	6
	Crankcase Cover Gasket	10
751-11099	Crankshaft Kit	
	Oil Seal	4
	Radial Ball Bearing	6
	Crankshaft Assembly	11
	Radial Ball Bearing	13
	Seal	21
	Flywheel Key	149
751-11063	Valve Cover Kit	
	Valve Cover	46
	Valve Cover Gasket	47

**MTD CONSUMER GROUP INC (MTD), the California Air Resources Board (CARB)
and the United States Environment Protection Agency (U. S. EPA)**

**Emission Control System Warranty Statement
(Owner's Defect Warranty Rights and Obligations)**

EMISSION CONTROL SYSTEM COVERAGE IS APPLICABLE TO CERTIFIED ENGINES PURCHASED IN CALIFORNIA IN 2005 AND THEREAFTER, WHICH ARE USED IN CALIFORNIA, AND TO CERTIFIED MODEL YEAR 2005 AND LATER ENGINES WHICH ARE PURCHASED AND USED ELSEWHERE IN THE UNITED STATES.

California and elsewhere in the United States Emission Control Defects Warranty Coverage

The California Air Resources Board (CARB), U. S. EPA and MTD are pleased to explain the emissions control system warranty on your model year 2006 and later small off-road engine. In California, new small off-road engines must be designed, built and equipped to meet the States anti-smog standards. Elsewhere in the United States, new non-road, spark-ignition engines certified for model 2005 and later, must meet similar standards set forth by the U. S. EPA. MTD must warranty the emission control system on your engine for the period of time listed below, provided there has been no abuse, neglect or improper maintenance of your small off-road engine.

Your emission control system may include parts such as the carburetor, fuel-injection system, the ignition system, and catalytic converter, fuel tanks, fuel lines, fuel caps, valves, canisters, filters, vapor hoses, clamps, connectors, and other associated emission-related components.

Where a warrantable condition exists, MTD will repair your small off-road engine at no cost to you including diagnosis, parts and labor.

MANUFACTURER'S WARRANTY COVERAGE:

This emissions control system is warranted for two years. If any emission-related part on your engine is defective, the part will be repaired or replaced by MTD.

OWNER'S WARRANTY RESPONSIBILITIES:

As the small off-road engine owner, you are responsible for the performance of the required maintenance listed in your Owner's Manual. MTD recommends that you retain all your receipts covering maintenances on your small off-road engine, but MTD can not deny warranty solely for the lack of receipts or for your failure to ensure the performance to all scheduled maintenance.

As the small off-road engine owner, you should however be aware that MTD may deny your warranty coverage if your small off-road engine or part has failed due to abuse, neglect, improper maintenance or unapproved modifications.

You are responsible for presenting your small off-road engine to an Authorized MTD Service Dealer as soon as a problem exists. The warranted repairs should be completed in a reasonable amount of time, not to exceed 30 days.

If you have any questions regarding your warranty rights and responsibilities, you should contact a MTD Service Representative at 1-800-800-7310 and address is MTD CONSUMER GROUP, P.O. Box 361131, Cleveland OH, 44136-0019.

DEFECTS WARRANTY REQUIREMENTS FOR 1995 AND LATER SMALL OFF-ROAD ENGINES:

This section applies to 1995 and later small off-road engines. The warranty period begins on the date the engine or equipment is delivered to an ultimate purchaser.

(a) General Emissions Warranty Coverage

MTD must warrant to the ultimate purchaser and each subsequent purchaser that the engine is:

- (1) Designed, built, and equipped so as to conform with all applicable regulations adopted by the Air Resources Board pursuant to its authority in Chapters 1 and 2, Part 5, Division 26 of the Health and Safety Code; and
- (2) Free from defects in materials and workmanship that cause the failure of a warranted part to be identical in all material respects to the part as described in the engine manufacturer's application for certification for a period of two years.

(b) The warranty on emissions-related parts will be interpreted as follows:

- (1) Any warranted part that is not scheduled for replacement as required maintenance in the written instructions required by Subsection (c) must be warranted for the warranty period defined in Subsection (a)(2). If any such part fails during the period of warranty coverage, it must be repaired or replaced by MTD according to Subsection (4) below. Any such part repaired or replaced under the warranty must be warranted for the remaining warranty period.
- (2) Any warranted part that is scheduled only for regular inspection in the written instructions required by Subsection (c) must be warranted for the warranty period defined in Subsection (a)(2). A statement in such written instructions to the effect of "repair or replace as necessary" will not reduce the period of warranty coverage. Any such part repaired or replaced under warranty must be warranted for the remaining warranty period.
- (3) Any warranted part that which is scheduled for replacement as required maintenance in the written instructions required by Subsection (c) must be warranted for the period of time prior to the first scheduled replacement point for that part. If the part fails prior to the first scheduled replacement, the part must be repaired or replaced by MTD according to Subsection (4) below. Any such part repaired or replaced under warranty must be warranted for the remainder of the period prior to the first scheduled replacement point for the part.

(4) Repair or replacement of any warranted part under the warranty provisions of this article must be performed at no charge to the owner at a warranty station.

(5) Notwithstanding the provisions of Subsection (4) above, warranty services or repairs must be provided at all MTD distribution centers that are franchised to service the subject engines.

(6) The owner must not be charged for diagnostic labor that leads to the determination that a warranted part is in fact defective, provided that such diagnostic work is performed at a warranty station.

(7) The engine manufacturer is liable for damages to other engine components proximately caused by a failure under warranty of any warranted part.

(8) Throughout the engine's warranty period defined in Subsection (a)(2), MTD will maintain a supply of warranted parts sufficient to meet the expected demand for such parts.

(9) Any replacement part may be used in the performance of any warranty maintenance or repairs and must be provided without charge to the owner. Such use will not reduce the warranty obligations of MTD.

(10) Add-on or modified parts that are not exempted by the Air Resources Board may not be used. The use of any non-exempted add-on or modified parts shall be grounds for disallowing a warranty claim made in accordance with this article. The engine manufacturer shall not be liable under this article to warrant failures of warranted parts caused by the use of non-exempted add-on or modified part.

(c) MTD will include a copy of the following emission warranty parts list with each new engine, using those portions of the list applicable to the engine.

(1) Fuel Metering System

- Cold start enrichment system (soft choke)
- Carburetor and internal parts
- Fuel Pump
- Fuel Tank

(2) Air Induction System

- Air cleaner
- Intake manifold

(3) Ignition System

- Spark plug(s)
- Magneto Ignition System

(4) Exhaust System

- Catalytic converter
- SAI (Reed valve)

(5) Miscellaneous Items Used in Above System

- Vacuum, temperature, position, time sensitive valves and switches
- Connectors and assemblies

(6) Evaporative control

- Fuel Hose certified for ARB evaporative emission of 2006.
- Fuel Hose Clamps
- Tethered fuel cap
- Carbon canister
- Vapor lines

Look For Relevant Emissions Durability Period and Air Index Information On Your Engine Emissions Label

Engines that are certified to meet the California Air Resources Board (CARB) Tier 2 Emission Standards must display information regarding the Emissions Durability Period and the Air Index. Sears, Roebuck and Co., U.S.A. makes this information available to the consumer on our emission labels.

The Emissions Durability Period describes the number of hours of actual running time for which the engine is certified to be emissions compliant, assuming proper maintenance in accordance with the Operating & Maintenance Instructions. The following categories are used:

Moderate: Engine is certified to be emission compliant for 125 hours of actual engine running time.

Intermediate: Engine is certified to be emission compliant for 250 hours of actual engine running time.

Extended: Engine is certified to be emission compliant for 500 hours of actual engine running time.

For example, a typical walk-behind lawn mower is used 20 to 25 hours per year. Therefore, the **Emissions Durability Period** of an engine with an **intermediate** rating would equate to 10 to 12 years.

The **Air Index** is a calculated number describing the relative level of emissions for a specific engine family. The lower the **Air Index**, the cleaner the engine. This information is displayed in graphical form on the emissions label.

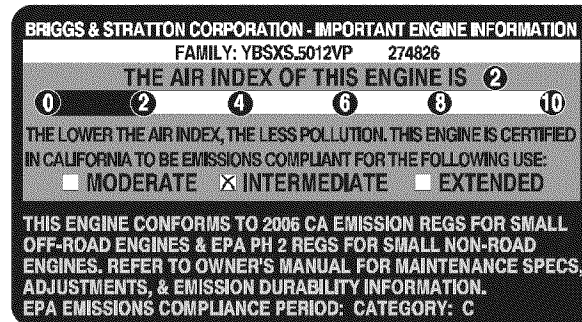
After July 1, 2000, Look For Emissions Compliance Period On Engine Emissions Compliance Label

After July 1, 2000 certain Sears, Roebuck and Co., U.S.A. engines will be certified to meet the United States Environmental Protection Agency (USEPA) Phase 2 emission standards. For Phase 2 certified engines, the Emissions Compliance Period referred to on the Emissions Compliance label indicates the number of operating hours for which the engine has been shown to meet Federal emission requirements.

For engines less than 225 cc displacement, Category C = 125 hours, B = 250 hours and A = 500 hours.

For engines of 225 cc or more, Category C = 250 hours, B = 500 hours and A = 1000 hours.

This is a generic representation of the emission label typically found on a certified engine.



REPAIR PROTECTION AGREEMENT

Congratulations on making a smart purchase. Your new Craftsman® product is designed and manufactured for years of dependable operation. But like all products, it may require repair from time to time. That's when having a Repair Protection Agreement can save you money and aggravation.

Here's what the Repair Protection Agreement* includes:

- **Expert service** by our 10,000 professional repair specialists
- **Unlimited service and no charge** for parts and labor on all covered repairs
- **Product replacement** up to \$1500 if your covered product can't be fixed
- **Discount of 10%** from regular price of service and related installed parts not covered by the agreement; also, 10% off regular price of preventive maintenance check
- **Fast help by phone** – we call it Rapid Resolution – phone support from a Sears representative. Think of us as a “talking owner's manual.”

Once you purchase the Agreement, a simple phone call is all that it takes for you to schedule service. You can call anytime day or night, or schedule a service appointment online.

The Repair Protection Agreement is a risk-free purchase. If you cancel for any reason during the product warranty period, we will provide a full refund. Or, a prorated refund anytime after the product warranty period expires. Purchase your Repair Protection Agreement today!

Some limitations and exclusions apply. For prices and additional information in the U.S.A. call 1-800-827-6655.

***Coverage in Canada varies on some items. For full details call Sears Canada at 1-800-361-6665.**

Sears Installation Service

For Sears professional installation of home appliances, garage door openers, water heaters, and other major home items, in the U.S.A. or Canada call **1-800-4-MY-HOME®**.

ÍNDICE

Declaración de garantía.....	Página 32	Almacenamiento fuera de temporada..	Página 48
Medidas importantes de seguridad	Páginas 33-35	Solución de problemas.....	Página 49
Etiquetas de seguridad.....	Página 36	Acuerdo de protección para	
Montaje	Páginas 37-39	reparaciones	Página 55
Funcionamiento	Páginas 40-42	Número de servicio	Cubierta
Servicio y Mantenimiento	Páginas 43-47		posterior

DECLARACIÓN DE GARANTÍA

GARANTÍA LIMITADA CRAFTSMAN

Dos Años en Lanzador de Nieve

Cuando hecho funcionar y mantenido según todas las instrucciones suministradas, si este lanzador de nieve falla debido a un defecto en material o habilidad dentro de dos años de la fecha o compra, llame 1-800-4MYHOME hacer los arreglos para reparación libre.

Esta garantía sólo tendrá validez durante 90 días si este producto se utiliza en cualquier momento para fines comerciales o de alquiler.

Durante el primer año de la compra, no habrá ningún precio para el servicio de garantía en su casa. Para su conveniencia, en de casa el servicio de garantía todavía estará disponible después del primer año de la compra, pero un precio de viaje se aplicará. Este precio será renunciado si usted transporta al lanzador de nieve a una posición de bajada de Artesano autorizada. Para la posición autorizada más cercana, llame 1-800-4-MY-HOME ®.

Esta garantía cubre SÓLO defectos en material y habilidad. Sears no pagará para:

- Los artículos prescindibles que se hacen llevados puestos durante el uso normal, incluso, pero no limitados para patinar zapatos, plato de afeitado, esquilan alfileres, bujía, filtro de aire, cinturones, y filtro del aceite.
- Revisión de mantenimiento estándar, cambios de aceite, o puestas a punto.
- Reemplazo de neumático o reparación causada por pinchazos desde fuera de objetos, como uñas, espinas, tocones, o cristal.
- Neumático o reemplazo de rueda o reparación que resulta de ropa normal, accidente, u operación impropia o mantenimiento.
- Las reparaciones necesarias debido al abuso de operador, incluso pero no limitado para dañar causado afectando objetos que doblan el marco o el cigüeñal, o el sobreexceso de velocidad del motor.
- Reparaciones necesarias debido a negligencia del operador, incluyendo entre otros, daños mecánico y eléctrico ocasionado por un almacenamiento no apropiado, falla por el uso de aceite de grado y/o cantidad no apropiada o falla por no dar mantenimiento al equipo de acuerdo con las instrucciones contenidas en el manual del operador.
- Limpieza o reparaciones al motor (sistema de combustible) provocadas por un combustible contaminado u oxidado (viejo). En general, el combustible debe utilizarse en un período no mayor de 30 días a partir de su adquisición.
- El empeoramiento normal y la ropa de los fines exteriores, o producto etiquetan el reemplazo.

Esta garantía sólo tendrá validez mientras el producto se utilice en los Estados Unidos.

Esta garantía le otorga derechos legales específicos, pero usted podría gozar de otros derechos en razón de su lugar de residencia.

Sears, Roebuck and Co., Hoffman Estates, IL 60179

ESPECIFICACIONES DE LOS PRODUCTOS

Tipo de aceite del motor:	SAE 5W-30
Capacidad de aceite del motor:	20 onzas
Capacidad de combustible:	2 Cuartos de galón
Bujía de encendido	Torch F6RTC
Separación de las bujías:	.020"-.030"

Número de modelo

Número de modelo.....
 Número de serie

Fecha de compra.....

Registre el número de modelo, número de serie
 y fecha de compra más arriba

INSTRUCCIONES DE SEGURIDAD

⚠️ ADVERTENCIA



La presencia de este símbolo indica que se trata de instrucciones importantes de seguridad que se deben respetar para evitar poner en peligro su seguridad personal y/o material y la de otras personas. Lea y siga todas las instrucciones de este manual antes de poner en funcionamiento esta máquina. Si no respeta estas instrucciones podría provocar lesiones personales. Cuando vea este símbolo, ¡preste atención a la advertencia!

⚠️ ADVERTENCIA

PROPOSICIÓN 65 DE CALIFORNIA

El escape del motor de este producto, algunos de sus componentes y algunos componentes del vehículo contienen o liberan sustancias químicas que el estado de California considera que pueden producir cáncer, defectos de nacimiento u otros problemas reproductivos.

⚠️ PELIGRO

Esta máquina fue construida para ser operada de acuerdo con las reglas de seguridad contenidas en este manual. Al igual que con cualquier tipo de equipo motorizado, un descuido o error por parte del operador puede producir lesiones graves. Esta máquina es capaz de amputar manos y pies y de arrojar objetos con gran fuerza. De no respetar las instrucciones de seguridad siguientes se pueden producir lesiones graves o la muerte.

⚠️ ADVERTENCIA

Su responsabilidad—Restrinja el uso de esta máquina motorizada a las personas que lean, comprendan y respeten las advertencias e instrucciones que aparecen en este manual y en la máquina.

GUARDE ESTAS INSTRUCCIONES

CAPACITACIÓN

- Leer, entender y seguir todas las instrucciones en la máquina y en el manual (s) antes de intentar montar y operar. No hacerlo puede resultar en lesiones graves para el operador y / o transeúntes. Guarde este manual en un lugar seguro para el futuro y regular de referencia y para pedir piezas de repuesto. Para preguntas llame al, 1-800-659-5917.
- Familiarícese con todos los controles y con el uso adecuado de los mismos. Sepa cómo detener la máquina y desactivar los controles rápidamente.
- No permita nunca que los niños menores de 14 años utilicen esta máquina. Los niños de 14 años en adelante deben leer y entender las instrucciones de operación y normas de seguridad contenidas en este manual y en la máquina y deben ser entrenados y supervisados por un adulto.
- Nunca permita que los adultos operen esta máquina sin recibir antes la instrucción apropiada.
- Los objetos arrojados por la máquina pueden producir lesiones graves. Planifique el patrón en el que va a ir arrojando nieve para evitar que la descarga de material se realice hacia los caminos, los observadores, etc.
- Mantenga a los transeúntes, mascotas y niños al menos a 75 pies de la máquina mientras está en funcionamiento. Detenga la máquina si alguien se acerca.
- Sea precavido para evitar patinarse o caerse especialmente cuando opera la máquina en marcha atrás.

PREPARATIVOS

Inspeccione minuciosamente el área donde utilizará el equipo. Saque todos los felpudos, periódicos, trineos, tablas, cables y otros objetos extraños con los que podría tropezar o que podrían ser arrojados por la barrena/impulsor.

1. Para protegerse los ojos utilice siempre anteojos o antiparras de seguridad mientras opera la máquina o mientras la ajusta o repara. Los objetos arrojados que rebotan pueden producir lesiones oculares graves.
2. No opere la máquina sin la vestimenta adecuada para estar al aire libre en invierno. No utilice alhajas, bufandas largas u otras prendas sueltas que podrían enredarse en las partes móviles. Utilice un calzado especial para superficies resbaladizas.
3. Use un prolongador y un tomacorriente de tres cables con conexión a tierra para todas las máquinas con motores de encendido eléctrico.
4. Desengrane todas las palancas de control antes de arrancar el motor.
5. Nunca intente realizar ajustes mientras el motor está en marcha excepto en los casos específicamente recomendados en el manual del operador.
6. Deje que el motor y la máquina se adapten a la temperatura exterior antes de comenzar a sacar la nieve.

INSTRUCCIONES DE SEGURIDAD

MANEJO SEGURO DE LA GASOLINA

Para evitar lesiones personales o daños materiales tenga mucho cuidado cuando trabaje con gasolina. La gasolina es sumamente inflamable y sus vapores pueden causar explosiones. Si se derrama gasolina encima o sobre la ropa se puede lesionar gravemente ya que se puede encender. Lávese la piel y cámbiese de ropa de inmediato.

- Utilice sólo los recipientes para gasolina autorizados.
- Apague todos los cigarrillos, cigarros, pipas y otras fuentes de combustión.
- Nunca cargue combustible en la máquina en un espacio cerrado.
- Nunca saque la tapa de la gasolina ni agregue combustible mientras el motor está caliente o en marcha.
- Deje que el motor se enfríe por lo menos dos minutos antes de volver a cargar combustible.
- Nunca llene en exceso el depósito de combustible. Llene el tanque a no más de ½ pulgada por debajo de la base del cuello de llenado dejando espacio para la dilatación del combustible.
- Vuelva a colocar la tapa del combustible y ajústela bien.
- Limpie el combustible que se haya derramado sobre el motor y el equipo. Traslade la máquina a otra zona. Espere 5 minutos antes de encender el motor.
- Nunca almacene la máquina o el recipiente de combustible en un espacio cerrado donde haya fuego, chispas o luz piloto (por ejemplo, hornos, calentadores de agua, calefactores, secadores de ropa, etc.).
- Deje que la máquina se enfríe por lo menos 5 minutos antes de guardarla.
- Nunca llene los recipientes en el interior de un vehículo o camión o caja de remolque con recubrimiento plástico. Coloque siempre los recipientes en el piso y lejos del vehículo antes de llenarlos.
- Si es posible, retire el equipo a gasolina del camión o remolque y llénelo en el suelo. Si esto no es posible, llene el equipo en un remolque con un contenedor portátil, en vez de con una boquilla dispensadora de gasolina.
- Mantenga la boquilla dispensadora en contacto con el borde del depósito de combustible o con la abertura del recipiente en todo momento, hasta terminar la carga. No utilice un dispositivo de apertura/cierre de boquilla.

FUNCIONAMIENTO

1. No ponga las manos o los pies cerca de las piezas rotatorias, en la caja de la barrena / impulsor o en el montaje del canal de descarga. El contacto con las piezas giratorias puede resultar en la amputación de manos o pies.
2. La palanca de control de la barrena / impulsor es un dispositivo de seguridad. Nunca evite su funcionamiento. De hacerlo la operación de la máquina es riesgosa y puede ocasionar lesiones.
3. Las palancas de control deben funcionar bien en ambas direcciones y regresar automáticamente a la posición de desengrane cuando se las suelta.
4. Nunca opere la máquina si falta un montaje del canal o si el mismo está dañado. Mantenga todos los dispositivos de seguridad en su lugar y en funcionamiento.

5. Nunca encienda el motor en espacios cerrados o en una zona con poca ventilación. El escape del motor contiene monóxido de carbono, un gas inodoro y letal.
6. No utilice la máquina bajo la influencia del alcohol o las drogas.
7. El silenciador y el motor se calientan y pueden causar quemaduras. No los toque. Mantenga a los niños alejados.
8. Sea sumamente precavido cuando opere la máquina sobre una superficie con grava o cuando la cruce. Manténgase alerta por si se presentan peligros ocultos o tránsito.
9. Tenga cuidado cuando cambie de dirección o cuando opere la máquina en pendientes.
10. Planifique el patrón en el que va a ir arrojando nieve para evitar que la descarga de material se produzca hacia las ventanas, las paredes, los automóviles, etc. y evitar así posibles daños materiales o lesiones producidas por los rebotes.
11. Nunca dirija la descarga hacia los niños, los observadores o las mascotas ni deje que nadie se pare delante de la máquina.
12. No sobrecargue la capacidad de la máquina tratando de sacar la nieve muy rápidamente.
13. Nunca opere esta máquina sin buena visibilidad o iluminación. Siempre debe estar seguro de que está bien afirmado y sujetando firmemente las manijas. Camine, nunca corra.
14. Corte la corriente a la barrena/impulsor cuando transporte la máquina o cuando la misma no está en uso.
15. Nunca opere la máquina a alta velocidad de desplazamiento sobre superficies resbaladizas. Mire hacia abajo y hacia atrás y tenga cuidado cuando vaya marcha atrás.
16. Si la máquina comenzara a vibrar de manera anormal, detenga el motor, desconecte el cable de la bujía y póngala de manera que haga masa contra el motor. Inspeccione la máquina minuciosamente para ver si está dañada. Repare todos los daños antes de encender y operar la máquina.
17. Desengrane todas las palancas de control y detenga el motor antes de dejar la posición de operación (detrás de las manijas). Espere a que la barrena/impulsor se detenga por completo antes de destapar el montaje del canal o realizar ajustes e inspecciones.
18. Nunca ponga las manos en las aberturas de descarga o de recolección. No destape el montaje del canal mientras el motor está en funcionamiento. Antes de destaparlo, apague el motor y permanezca detrás de las manijas hasta que todas las partes móviles se hayan detenido.
19. Use sólo uniones y accesorios aprobados por el fabricante (por ejemplo, pesas para las ruedas, cadenas para los neumáticos, cabinas, etc.).
20. Para encender el motor, jale de la cuerda lentamente hasta que sienta resistencia, luego jale rápidamente. El repliegue rápido de la cuerda de arranque (tensión de retroceso) le jalará la mano y el brazo hacia el motor más rápido de lo que usted puede soltar. El resultado pueden ser huesos rotos, fracturas, hematomas o esguinces.
21. Si se presentan situaciones que no están previstas en este manual, sea cuidadoso y use el sentido común. Póngase en contacto con Asistencia al Cliente para solicitar ayuda y el nombre del distribuidor de servicio más cercano.

INSTRUCCIONES DE SEGURIDAD

DESPEJE DE UN CANAL DE DESCARGA OBSTRUÍDO

El contacto de las manos con el impulsor rotatorio que está dentro del canal de descarga es la causa más común de lesiones asociadas con las máquinas quitanieve. Nunca use su mano para limpiar el canal de descarga.

Para despejar el canal:

1. ¡APAGUE EL MOTOR!
2. Espere 10 segundos para estar seguro de que las cuchillas del motor han dejado de rotar.
3. Utilice siempre una herramienta de limpieza, no use las manos.

MANTENIMIENTO Y ALMACENAMIENTO

1. Nunca altere los dispositivos de seguridad. Controle periódicamente que funcionen correctamente. Remítase a las secciones de mantenimiento y ajuste de este manual.
2. Antes de realizar la limpieza, reparar o revisar la máquina, desengrane todas las palancas de control y detenga el motor. Espere a que la barrena/impulsor se detenga por completo. Desconecte el cable de la bujía y póngalo haciendo masa contra el motor para evitar que se encienda accidentalmente.
3. Controle frecuentemente que todos los pernos y tornillos estén bien ajustados para comprobar que la máquina se encuentra en condiciones seguras de funcionamiento. Además, haga una inspección visual de la máquina para verificar si está dañada.
4. No cambie la configuración del regulador del motor ni acelere demasiado el mismo. El regulador del motor controla la velocidad máxima segura de funcionamiento del motor.
5. Las placas de raspado y las zapatas antideslizantes que se usan con la máquina quitanieve se desgastan y se dañan. Para proteger su seguridad, verifique frecuentemente todos los componentes y reemplácelos sólo con partes de los fabricantes de equipos originales (OEM). "¡El uso de piezas que no cumplen con las especificaciones del equipo original puede resultar en rendimiento inadecuado además de poner en riesgo la seguridad!"
6. Revise las palancas de control periódicamente para verificar que engranen y desengranen adecuadamente y ajústelos si es necesario. Consulte la sección de ajustes de este manual del operador para obtener instrucciones.
7. Mantenga o reemplace las etiquetas de seguridad e instrucciones según sea necesario.
8. Respete las normas referentes a la disposición correcta y las reglamentaciones sobre gasolina, aceite, etc. para proteger el medio ambiente.
9. Antes de almacenar la máquina enciéndala unos minutos para sacar la nieve que haya quedado en la misma y para evitar así que se congele la barrena/impulsor.
10. Nunca almacene la máquina o el recipiente de combustible en un espacio cerrado donde haya fuego, chispas o luz piloto como por ejemplo, calentadores de agua, hornos, secadores de ropa, etc.
11. Consulte siempre el manual del operador para obtener instrucciones adecuadas para el almacenamiento fuera de temporada.
12. Verifique frecuentemente la línea de combustible, el tanque, el tapón, y los accesorios buscando rajaduras o pérdidas. Reemplace de ser necesario.
13. No dé arranque al motor si no está la bujía de encendido.

14. Según la Comisión de Seguridad de Productos para el Consumidor de los Estados Unidos (CPSC) y la Agencia de Protección Ambiental de los Estados Unidos (EPA), este producto tiene una *vida útil media* de siete (7) años ó 60 horas de funcionamiento. Al finalizar la *vida útil media* haga inspeccionar anualmente esta unidad por un distribuidor de servicio autorizado para cerciorarse de que todos los sistemas mecánicos y de seguridad funcionan correctamente y no tienen excesivo desgaste. Si no lo hace, pueden producirse accidentes, lesiones o la muerte.

NO MODIFIQUE EL MOTOR

Para evitar lesiones graves o la muerte, no modifique el motor bajo ninguna circunstancia. Si cambia la configuración del regulador del motor, éste puede descontrolarse y operar a velocidades inseguras. Nunca cambie la configuración de fábrica del regulador del motor.

AVISO REFERIDO A EMISIONES

Los motores que están certificados y cumplen con las regulaciones de emisiones federales EPA y de California para SORE (Equipos pequeños todo terreno) están certificados para operar con gasolina común sin plomo y pueden incluir los siguientes sistemas de control de emisiones: Modificación de motor (EM), catalizador oxidante (OC), inyección de aire secundaria (SAI) y catalizador de tres vías (TWC) si están equipados de esa manera.

Amortiguador de chispas

⚠ ADVERTENCIA

Esta máquina está equipada con un motor de combustión interno y no debe ser utilizada en o cerca de un terreno agreste cubierto por bosque, malezas o hierba excepto que el sistema de escape del motor esté equipado con un amortiguador de chispas que cumpla con las leyes locales o estatales correspondientes (en caso de existir)

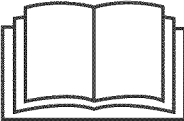







Si se utiliza un amortiguador de chispas el operador lo debe mantener en condiciones de uso adecuadas. En el Estado de California las medidas anteriormente mencionadas son exigidas por ley (Artículo 4442 del Código de Recursos Públicos de California). Es posible que existan leyes similares en otros estados. Las leyes federales se aplican en territorios federales.

Puede conseguir el amortiguador de chispas para el silenciador a través de su distribuidor de mantenimiento de motores autorizado más cercano o poniéndose en contacto con el departamento de servicios, Apartado Postal 361131 Cleveland, Ohio 44136-0019.

INSTRUCCIONES DE SEGURIDAD

Símbolos de seguridad

En esta página se presentan y describen los símbolos de seguridad que pueden aparecer en este producto. Lea, entienda y cumpla todas las instrucciones incluidas en la máquina antes de intentar realizar el montaje de la unidad y utilizarla.

Símbolo	Descripción
	LEA EL(LOS) MANUAL(ES) DEL OPERADOR Lea, entienda y cumpla todas las instrucciones incluidas en el(los) manuales antes de intentar realizar el montaje de la unidad y utilizarla.
	ADVERTENCIA - CUCHILLAS GIRATORIAS Mientras la máquina está en funcionamiento mantenga las manos fuera de las aberturas de entrada y de descarga. En el interior hay cuchillas giratorias
	ADVERTENCIA - CUCHILLAS GIRATORIAS Mientras la máquina está en funcionamiento mantenga las manos fuera de las aberturas de entrada y de descarga. En el interior hay cuchillas giratorias
	ADVERTENCIA - CUCHILLAS GIRATORIAS No ponga las manos o los pies cerca de las piezas rotatorias, en la caja de la barrena/motor o en el montaje del canal de descarga. El contacto con las piezas giratorias puede resultar en la amputación de manos o pies.
	ADVERTENCIA - OBJETOS ARROJADOS Esta máquina puede levantar y arrojar objetos lo cual puede causar lesiones personales graves.
	ADVERTENCIA - LA GASOLINA ES INFLAMABLE Deje que el motor se enfríe por lo menos dos minutos antes de cargar combustible.
	ADVERTENCIA - MONÓXIDO DE CARBONO Nunca encienda el motor en espacios cerrados o en una zona con poca ventilación. El escape del motor contiene monóxido de carbono, un gas inodoro y letal.
	ADVERTENCIA - DESCARGAS ELÉCTRICAS No use el arranque eléctrico del motor bajo la lluvia

MONTAJE

NOTA: Las referencias a lado derecho o izquierdo de la máquina quitanieve se determinan situándose detrás de la unidad en posición de operación (permaneciendo directamente detrás de la máquina quitanieve, mirando hacia el panel de la manija).

EXTRACCIÓN DE LA UNIDAD DE LA CAJA

1. Corte las esquinas de la caja de cartón y extienda los lados de manera que queden planos sobre el piso. Quite y descarte todos los insertos de empaque.
2. Saque la máquina quitanieve de la caja.
3. Asegúrese de vaciar completamente la caja antes de tirarla.

MONTAJE

Colocación de la barra de control superior

1. Gire la barra de control superior hasta la posición de operación, como se ilustra en la Figura 1 hasta que quede en su lugar, cuidando de no pellizcar el cable en el proceso.

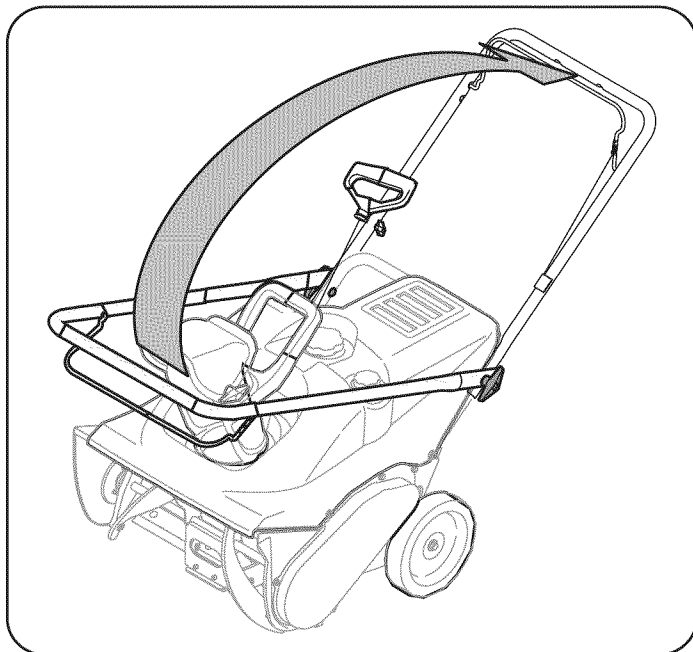


Figura 1

2. Ajuste las perillas de aletas para sujetar la barra en su lugar. Vea la Figura 2.

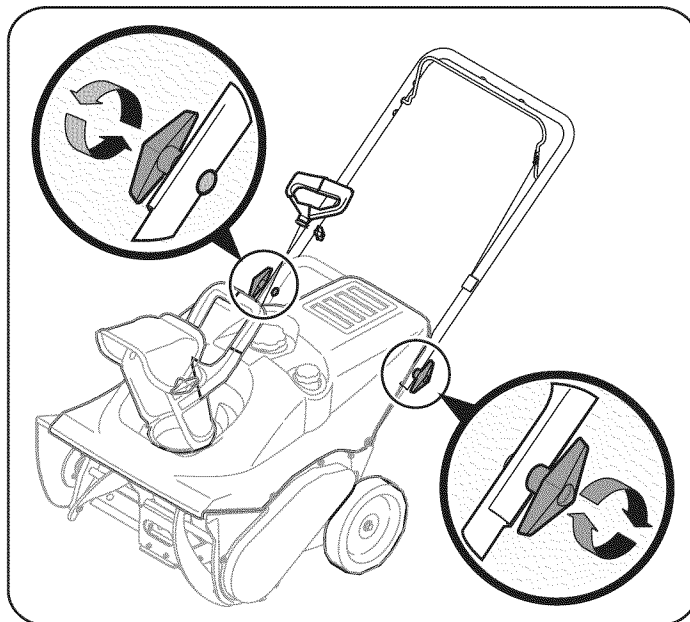


Figura 2

3. Vagamente adjuntar eyebolt y la tuerca mariposa de plástico (que se encuentran en el manual de bolsa) para ver el mango. Figura 3. Tire de la manilla retroceso de hilo y la cuerda a través del ojo saeta. Apriete la tuerca mariposa para garantizar la eyebolt en su lugar.

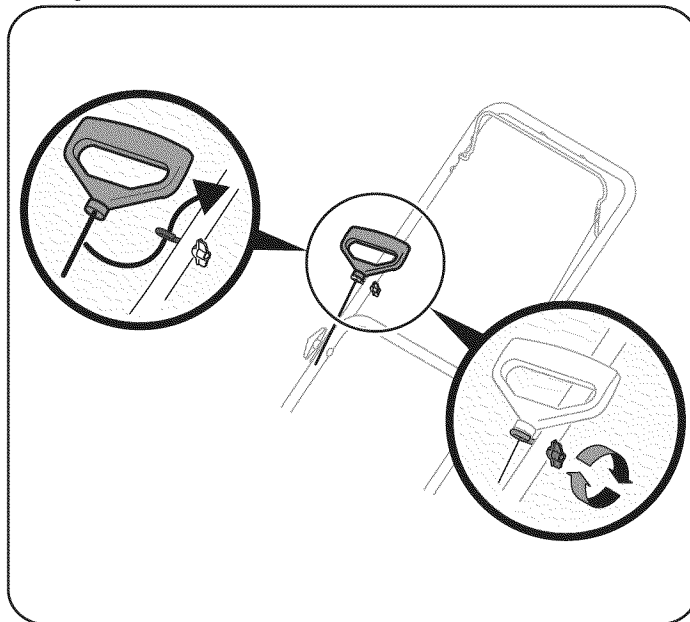


Figure 3

MONTAJE

CONFIGURACIÓN

Recomendaciones sobre el combustible

Utilice gasolina para automóviles (sin plomo o bajo plomo para minimizar los depósitos en la cámara de combustión) con un mínimo de 87 octanos. Se puede usar gasolina con hasta un 10% de etanol o un 15% de MTBE (éter metílico terciario-butílico). Nunca use una mezcla de aceite y gasolina ni gasolina sucia. Evite que se introduzca suciedad, polvo o agua en el depósito de combustible. NO utilice gasolina E85.

- Cargue combustible en un área bien ventilada y con el motor apagado. No fume ni permita llamas o chispas en el lugar donde se carga combustible o se almacena la gasolina.
- No llene en exceso el depósito de combustible. Después de cargar combustible, asegúrese de que el tapón del depósito esté bien cerrado y asegurado.
- Tenga cuidado de no derramar combustible al cargarlo. El combustible derramado o sus vapores se pueden incendiar. Si se derrama combustible, asegúrese de que el área esté seca antes de arrancar el motor.
- Evite el contacto repetido o prolongado con la piel o la inhalación de los vapores.

Carga de combustible

⚠ ADVERTENCIA

Tenga mucho cuidado al trabajar con gasolina. La gasolina es sumamente inflamable y sus vapores pueden causar explosiones. Nunca agregue combustible a la máquina en interiores ni mientras el motor está caliente o en funcionamiento. Apague cigarrillos, cigarros, pipas y otras fuentes de combustión.

⚠ ADVERTENCIA

Siempre mantenga las manos y los pies alejados de las piezas móviles del equipo. No utilice fluidos comprimidos para arrancar. Los vapores son inflamables.

1. Limpie alrededor de terraplén del combustible antes de quitar el casquillo para aprovisionar de combustible.
2. Un indicador llano de combustible está situado en el depósito de gasolina. Llene el tanque hasta que el combustible alcance el indicador del nivel de combustible, Figura 4. tenga cuidado de no sobrellenar.

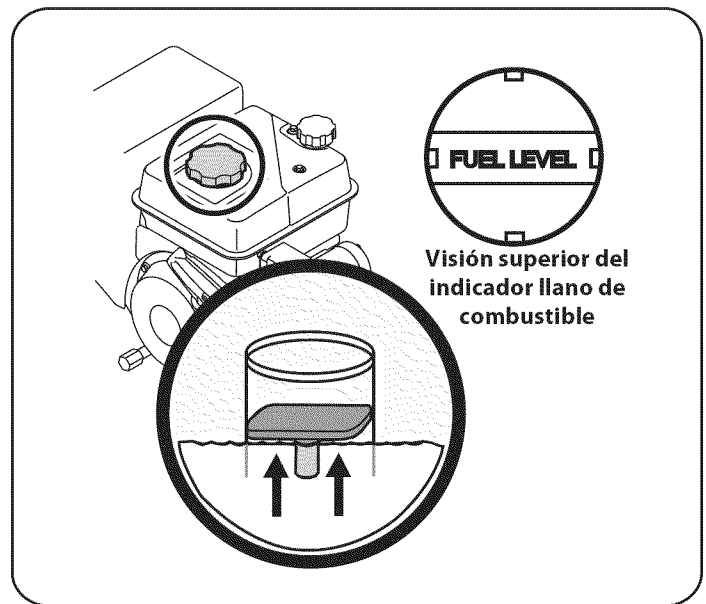


Figura 4

MONTAJE

Procedimiento para agregar aceite

PRECAUCIÓN

El motor se envía sin aceite en el motor. Antes de poner la máquina en marcha debe cargar aceite en el motor. Si se hace funcionar el motor sin suficiente aceite puede dañarse gravemente y se producto la garantía.

1. Retire el tapón de llenado de aceite/la varilla de medición y limpie la varilla de medición de aceite. Vea la Figura 5.

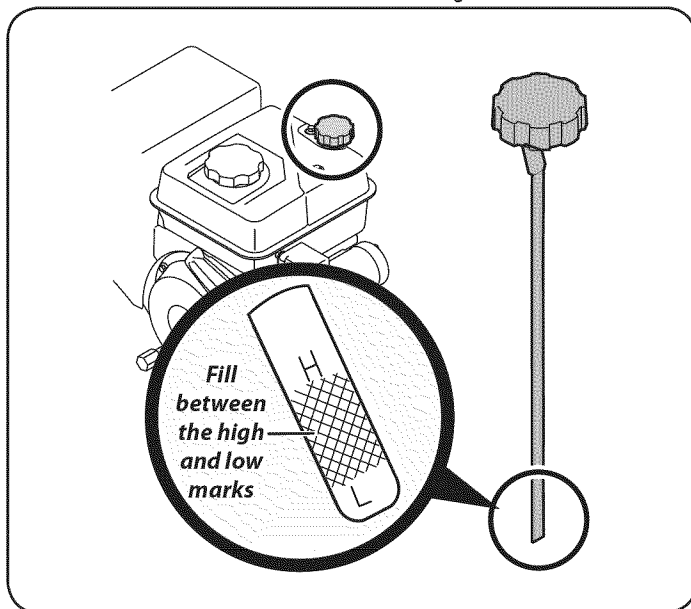


Figura 5

NOTA: No ajuste la varilla de medición cuando control el nivel de aceite.

2. Agregue aceite lentamente hasta que el registro marque entre nivel alto (H) y bajo (L), Figura 5. Consulte la sección Mantenimiento del motor para ver la viscosidad y capacidad de aceite del motor correctas.

NOTA: No lo llene en exceso. El llenado excesivo de aceite puede hacer que el motor genere humo, que cueste arrancarlo o que falle la bujía.

AJUSTES

Montaje del canal

La inclinación del montaje del canal controla el ángulo con el que se arroja la nieve.

1. Afloje la perilla a mariposa que se encuentra del lado izquierdo del montaje del canal y gire el canal superior hacia arriba o hacia abajo hasta alcanzar la inclinación deseada. Vuelva a ajustar la perilla a mariposa antes de poner la máquina quitanieve en funcionamiento. Vea la Figura 6.



Figura 6

2. Posicione la abertura del montaje del canal con la manija del canal para arrojar la nieve en la dirección deseada. Vea la Figura 6.

OPERACIÓN

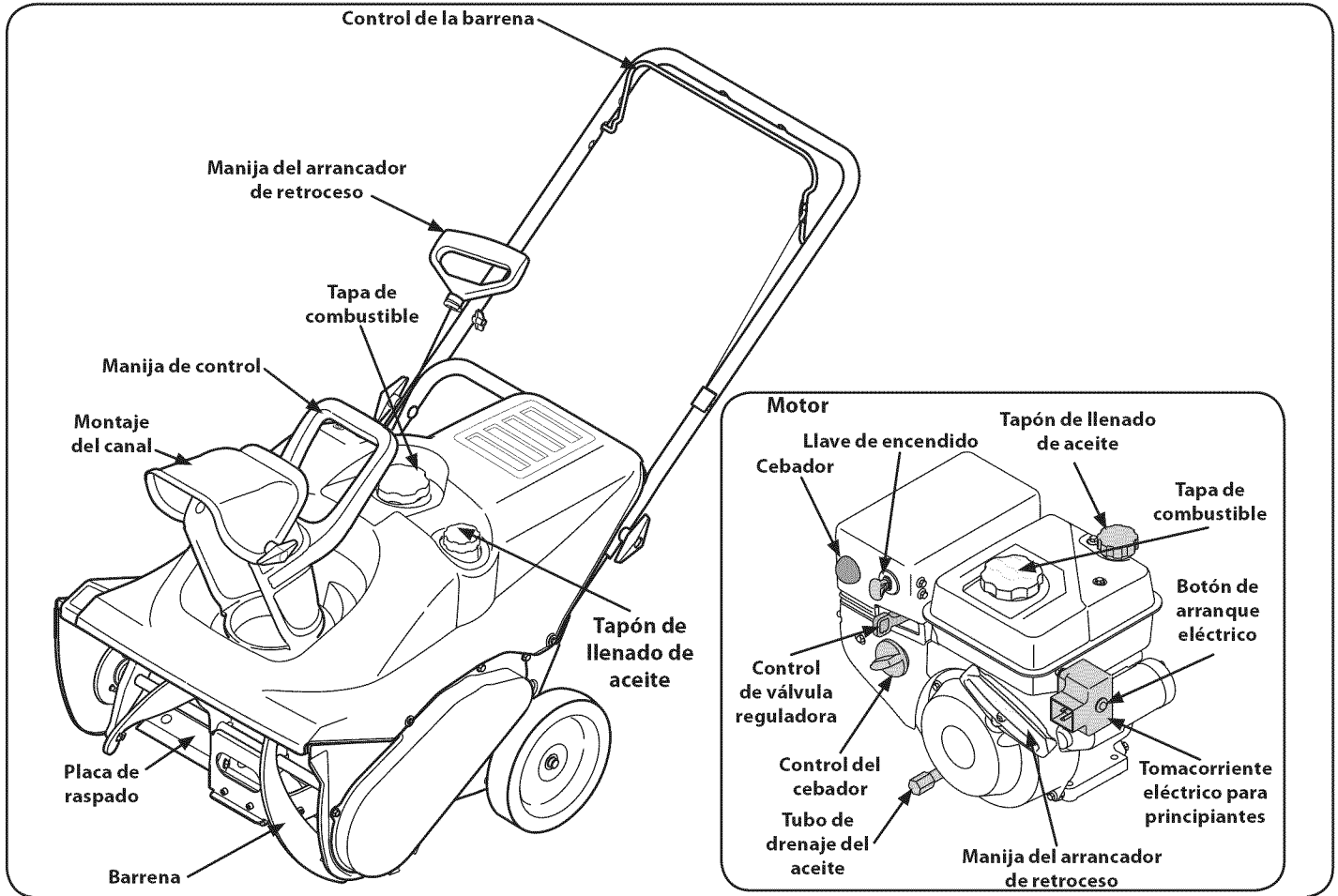
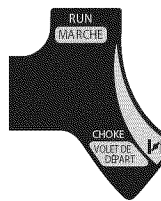


Figura 7

CONTROL DE VÁLVULA REGULADORA

Al activar el control del cebador se cierra la placa de obturación del carburador y se ayuda a encender el motor.



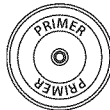
CONTROL DE VÁLVULA REGULADORA



El control del acelerador se encuentra en la parte trasera del motor. Se regula la velocidad del motor y se apagará el motor cuando se trasladaron a la posición STOP.

CEBADOR

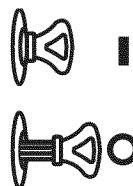
Al presionar el cebador se envía combustible directamente al carburador del motor para facilitar el arranque cuando hace frío.



LLAVE DE ENCENDIDO

La llave de encendido es un dispositivo de seguridad. Debe estar completamente insertada para que el motor arranque. Retire la llave de encendido cuando no use la máquina quitanieve.

NOTA: No gire la llave de encendido para intentar arrancar el motor. Al hacerlo podría romperla.



MANIJA DEL ARRANCADOR DE RETROCESO

La manilla se utiliza para iniciar manualmente el motor.

TAPA DEL COMBUSTIBLE

Saque la tapa de la gasolina para agregar combustible.

BARRENA

Cuando está engranada, la rotación de la barrena dirige la nieve dentro de la caja de la barrena y la arroja hacia afuera por el canal de descarga. Las paletas de caucho de las barrenas también ayudan a impulsar la unidad al ponerse en contacto con el pavimento.

Cumple con los estándares de seguridad de ANSI

Las máquinas quitanieve Craftsman cumplen con los estándares de seguridad del Instituto Estadounidense de Estándares Nacionales (ANSI).

OPERACIÓN

CONTROL DE LA BARRENA

La manija de control de la barrena está ubicada en la manija superior y se usa para engranar y desengranar la transmisión de la barrena. Apriete la manija de control contra la manija superior para engranar la barrena, aflójela para desengranarla.

MONTAJE DEL CANAL

Haga rotar el montaje del canal hacia izquierda o derecha usando la manija del canal. La inclinación del canal de descarga controla el ángulo con el que se arroja la nieve. Afloje la perilla de aletas del costado del canal de descarga antes de girar el canal de descarga hacia arriba o hacia abajo. Vuelva a ajustar la perilla después de alcanzar la posición deseada.

PLACA DE RASPADO

La placa de raspado hace contacto con el pavimento a medida que se impulsa la máquina quitanieve, permitiendo que se descargue la nieve que está cerca de la superficie del pavimento.

TOMACORRIENTE ELÉCTRICO PARA PRINCIPIANTES

El arranque eléctrico salida requiere el uso de un período de tres patas al aire libre cable de extensión y una fuente de alimentación 120V / pared.

NOTA: El arranque eléctrico está montado para la mortaja de plástico y se muestra en la Figura 7 adjunta al motor para facilitar la referencia.

BOTÓN DE ARRANQUE ELÉCTRICO

Al pulsar el botón de arranque eléctrico se dedica el motor de arranque eléctrico cuando conectado a una fuente de alimentación 120V.

ANTES DE ENCENDER EL MOTOR

⚠ ADVERTENCIA

Lea, comprenda y siga todas las instrucciones y advertencias que aparecen en la máquina y en este manual antes de operarla.

1. El cable de la bujía fue desconectado por seguridad. Conecte el cable de la bujía a la misma.

ENCENDIDO DEL MOTOR

⚠ ADVERTENCIA

Siempre mantenga las manos y los pies alejados de las partes móviles. No utilice fluidos comprimidos para arrancar. Los vapores son inflamables.

⚠ ADVERTENCIA

Para evitar la intoxicación por monóxido de carbono, asegúrese de que el motor esté al aire libre en un área bien ventilada.

NOTE: Allow the engine to warm up for a few minutes after starting. The engine will not develop full power until it reaches operating temperatures.

Arranque eléctrico

⚠ ADVERTENCIA

El arranque eléctrico está equipado con una tierra de tres cables cable de alimentación y enchufe, y está diseñado para funcionar a 120 voltios AC hogar actual. Debe ser usado con una tierra adecuada de tres patas recipiente en todo momento para evitar la posibilidad de una descarga eléctrica. Siga todas las instrucciones cuidadosamente antes de operar el arranque eléctrico. NO use arranque eléctrico en la lluvia.

1. Determinar que su casa del cableado es una de tres cables a tierra del sistema. Pregúntele a un electricista autorizado si no está seguro. Si tiene una tierra de tres patas recipiente, siga estos pasos. Si no tiene el buen cableado de la casa, no utilice el arranque eléctrico bajo cualquier condición.
2. Inserte la llave de encendido completamente en la ranura, Figura 8. Asegúrese de que encaje en su sitio. NO girar la llave de encendido. El motor no puede comenzar a menos que la clave se inserta en el interruptor de encendido.

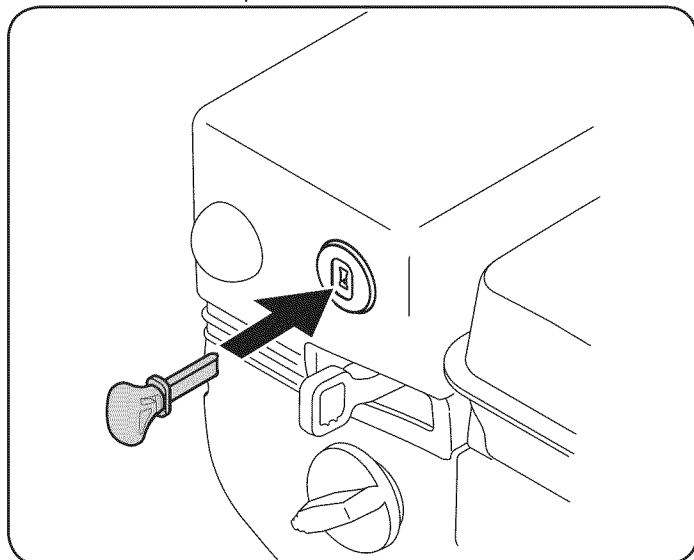


Figura 8

OPERACIÓN

3. Enchufe el cable de extensión en la toma de corriente situada en la mortaja de plástico. Conecte el otro extremo del cable de extensión en un período de tres patas de 120 voltios, tierra, toma de CA en un área bien ventilada. Vea la Figura 9.

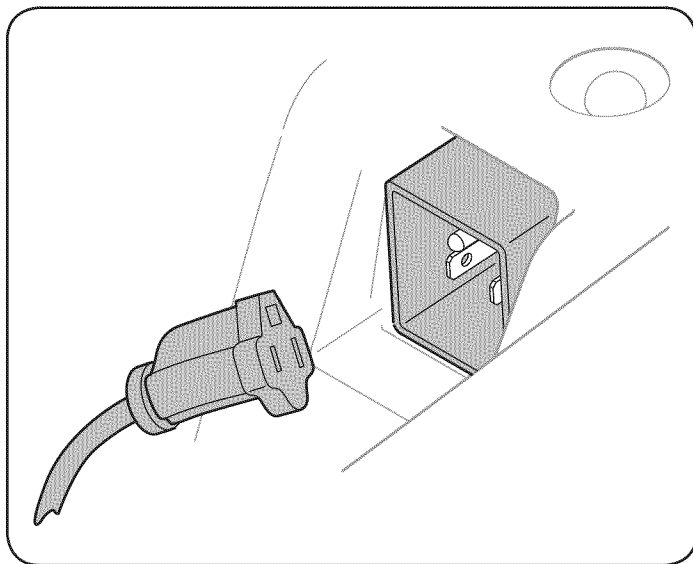



Figura 9

4. Mover el control del acelerador para el FAST  (conejo).
5. Mueva el estrangulador a la posición ON (arranque del motor en frío). Si el motor está caliente, coloque el estrangulador en la posición OFF.
6. Empuje el primer de tres a cinco (3-5) veces, asegurándose de cubrir el agujero de ventilación cuando empujando. Si el motor está caliente, el primer empuje una sola vez. Siempre cubrir el agujero de ventilación cuando empujando. Cool meteorológicas pueden requerir cebado que se repita.
7. Presione el botón de arranque para que arranque el motor. Una vez que el motor arranque, la puesta en libertad de inmediato el botón de arranque. El arranque eléctrico está equipado con protección contra sobrecarga térmica; el sistema temporalmente la parada de arranque para permitir que se enfríe si se convierte en arranque eléctrico sobrecargado.
8. A medida que el motor se calienta, girar lentamente el control del estrangulador a la posición OFF. Si el motor falla, reinicie el motor y correr con el «starter» a la mitad-el estrangulador posición durante un breve período de tiempo, y luego girar lentamente el estrangulador en la posición OFF.
9. Después de que el motor está en funcionamiento, desconecte el cable de alimentación del arranque eléctrico. Al desconectar, siempre desenchufe el fin a la toma de corriente antes de desconectar el extremo opuesto del motor.


Motor de arranque

PRECAUCIÓN

No tire la manilla mientras que el motor en marcha.

ADVERTENCIA

Para evitar el funcionamiento del motor sin supervisión, nunca deje desatendido el motor durante la ejecución. Encienda el motor apagado después de su uso y eliminar llave de encendido.


1. Inserte la llave de encendido completamente en la ranura, Figura 9. Asegúrese de que encaje en su sitio. NO girar la llave de encendido. El motor no puede comenzar a menos que la clave se inserta en el interruptor de encendido.
2. Mover el control del acelerador para el FAST  (conejo).
3. Mueva el estrangulador a la posición ON (arranque del motor en frío). Si el motor está caliente, coloque el estrangulador en la posición OFF.
4. Empuje el primer de tres a cinco (3-5) veces, asegurándose de cubrir el agujero de ventilación cuando empujando. Si el motor está caliente, el primer empuje una sola vez. Siempre cubrir el agujero de ventilación cuando empujando. Cool meteorológicas pueden requerir cebado que se repita.
5. Tire suavemente en la manilla hasta que ésta comience a resistir, a continuación, tire rápidamente y con fuerza para superar la compresión. No liberar el asa y permita que éste broche de la espalda. Volver la cuerda lentamente a la posición original. Si es necesario, repita este paso.
6. A medida que el motor se calienta, girar lentamente el control del estrangulador a la posición OFF. Si el motor falla, reinicie el motor y correr con el «starter» a la mitad-el estrangulador posición durante un breve período de tiempo, y luego girar lentamente el estrangulador en la posición OFF.

DETENCIÓN DEL MOTOR

ADVERTENCIA

Para evitar el funcionamiento del motor sin supervisión, nunca deje desatendido el motor durante la ejecución. Encienda el motor apagado después de su uso y eliminar llave de encendido.

Ejecute el motor durante unos minutos antes de parar en seco para ayudar a cualquier humedad en el motor.

1. Mover el control del acelerador para el STOP  (tortuga).
2. Retire la llave de encendido. La eliminación de la clave de reducir la posibilidad de no autorizado arranque del motor, mientras que el equipo no está en uso. Mantenga la llave en un lugar seguro. El motor no puede comenzar sin la llave de encendido.
3. Limpie toda la nieve y la humedad desde la zona de control del motor.

ENGANCHE DE LAS BARRENAS

Para engranar la barrena apriete la manija de control contra la manija de control superior. Suelte para detener las barrenas.

ENGANCHE DE LA TRANSMISIÓN

Levante apenas la manija para permitir que las paletas de caucho de la barrena toquen el pavimento e impulsen la máquina quitanieve hacia adelante. Si presiona la manija hacia abajo, elevará la barrena del suelo y detendrá el avance la máquina.

NOTA: Si la presión ascendente sobre la manija es excesiva tendrá como resultado un desgaste prematuro de las cuchillas de goma de la barrena y esto no estará cubierto por la garantía.

SERVICIO Y MANTENIMIENTO

PROGRAMA DE MANTENIMIENTO

ADVERTENCIA

Antes de realizar cualquier tipo de mantenimiento o servicio, desenganche todos los controles y detenga el motor. Espere a que se detengan completamente todas las piezas móviles. Desconecte el cable de la bujía y póngalo haciendo masa contra el motor para evitar que se encienda accidentalmente. Utilice siempre anteojos de seguridad durante el funcionamiento o mientras ajusta o repara este equipo.

Siga el cronograma de mantenimiento que se presenta a continuación. Esta tabla sólo describe pautas de servicio. Utilice la columna Registro de Servicio para hacer el seguimiento de las tareas de mantenimiento completadas. **Para ubicar el Centro de Servicio Sears más cercano o para programar un servicio, simplemente comuníquese con Sears al teléfono 1-800-4-MY-HOME®.**

Intervalo	Artículo	Servicio	Registro de servicio
Cada uso	1. Nivel de aceite del motor. 2. Máquina quitanieve y área de escape.	1. Verificar 2. Limpieza	
1ras 5 horas	1. Aceite del motor.	1. Cambio.	
Cada 5 horas	1. Aceite del motor. 2. Área del escape.	1. Verificar. 2. Limpieza.	
25 horas	1. Bujía de encendido.	1. Verificar.	
Cada temporada/50 horas	1. Aceite del motor	1. Cambiar	
Cada temporada/100 horas	1. Bujía de encendido	1. Limpiar, reemplazar, regular	
Cada temporada/antes de almacenar	1. Puntos de pivote 2. Manija de control 3. Resorte de extensión	1. Lubrique 2. Lubrique 3. Lubrique	

MANTENIMIENTO DEL MOTOR

▲ ADVERTENCIA

Para evitar el arranque accidental, apague el motor y retire la llave de encendido antes de realizar cualquier tipo de mantenimiento del motor.

La inspección y los ajustes periódicos del motor son esenciales si se desea mantener un alto nivel de desempeño. El mantenimiento regular también garantizará una prolongada vida útil del motor. Los intervalos de mantenimiento requeridos y el tipo de mantenimiento a realizar se describen en la tabla arriba. Siga los intervalos por hora o calendarios, lo que ocurra primero. Cuando se opera en condiciones adversas es necesario llevar a cabo un mantenimiento más frecuente.

COMPROBACIÓN DEL ACEITE DEL MOTOR

1. Retire el tapón del depósito de aceite / varilla y limpie la varilla limpia. Consulte la Figura 4.
2. Inserte la tapa / varilla medidora de aceite en el cuello de llenado, pero NO tornillo que pulg
3. Retire el tapón del depósito de aceite y varilla. Si el nivel es bajo, agregue lentamente el aceite hasta el nivel de aceite entre los registros de alta (H) y baja (L), Consulte la Figura 4.

NOTA: No demasiado. Excesivo del motor con el petróleo puede resultar en el motor de fumar, dura la puesta en marcha o la bujía sucios.

Recomendaciones sobre el aceite

Cuando le agregue aceite al motor, consulte la tabla de viscosidad que aparece más abajo (Figura 10). La capacidad de aceite del motor es 600 ml (aprox. 20 onzas). No llene excesivamente. Use un aceite para motor de cuatro tiempos, o un aceite detergente de calidad premium equivalente con certificado que cubra o exceda las exigencias de los fabricantes de automóviles americanos respecto de la clasificación de servicio SG y SF. Los aceites para motor con la clasificación SG, SF tienen esta designación en el envase.

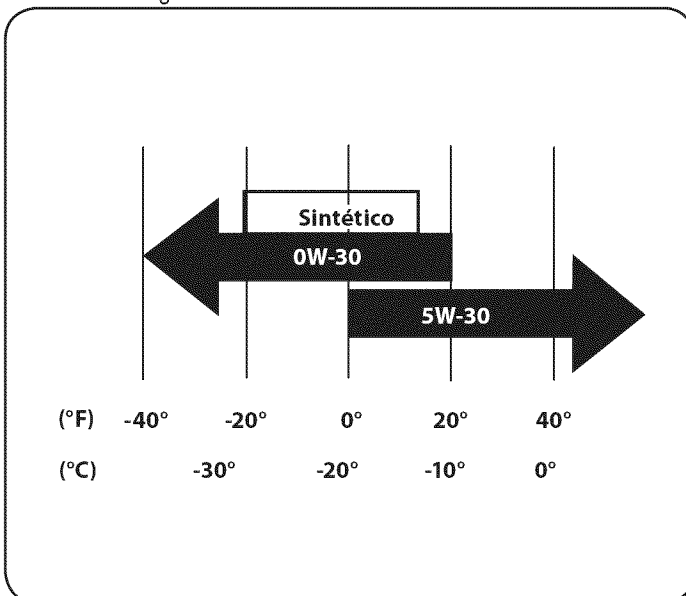


Figura 10

SERVICIO Y MANTENIMIENTO

⚠ PRECAUCIÓN

NO utilice aceites sin detergente ni aceite para motor de dos tiempos. Podría reducirse la vida útil del motor.

Cambio del aceite del motor

El aceite del motor se debe cambiar después de las primeras cinco horas de uso y luego una vez por temporada o cada 50 horas de uso.

NOTA: Verifique el nivel de aceite antes de cada uso y después de cada cinco horas de funcionamiento para cerciorarse que se mantiene el nivel de aceite indicado. Consulte la Verificación del nivel de aceite .

1. Vacíe el combustible del depósito haciendo funcionar el motor hasta que el depósito de combustible esté vacío. Cerciórese de que el tapón de llenado del combustible está bien ajustado.
2. Coloque un recipiente adecuado para recolectar el aceite bajo el tapón de drenaje de aceite.
3. Retire el tapón de drenaje de aceite, Figura 11.

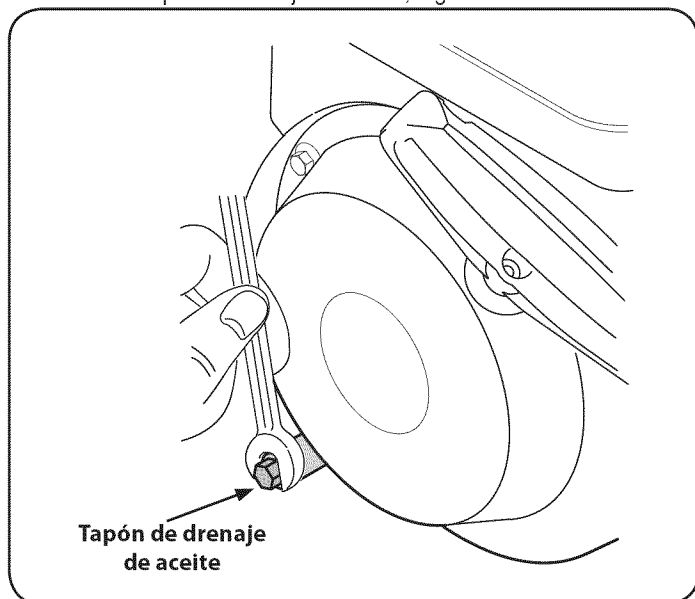


Figura 11

4. Incline el motor para drenar el aceite en el recipiente. El aceite usado se debe descartar en un centro de recolección adecuado.
5. Vuelva a colocar el tapón de drenaje y ajústelo bien.
6. Recarga con el petróleo y recomienda comprobar el nivel de aceite; se refieren a la comprobación del aceite del motor en la página 41 para obtener instrucciones.
7. Vuelva a colocar y ajustar el tapón de llenado/la varilla de nivel de aceite.

⚠ PRECAUCIÓN

Lávese bien las manos con agua y jabón inmediatamente después de tocar aceite usado.

NOTA: Elimine el aceite usado del motor de una manera que no perjudique el medio ambiente. Llévelo a un centro de reciclado u otro centro de recolección.

Bujía de encendido

⚠ ADVERTENCIA

NO pruebe la chispa si no está la bujía de encendido. NO dé arranque al motor si no está la bujía de encendido.

⚠ ADVERTENCIA

Si el motor ha estado funcionando, el silenciador estará muy caliente. Tenga cuidado de no tocar el silenciador.

Se debe controlar la bujía cada 25 horas y se la debe cambiar una vez por temporada o cada 100 horas. Para asegurarse de que el motor funcione bien, la bujía debe tener una separación correcta y también debe estar libre de depósitos.

1. Retire la funda de la bujía y utilice una llave para bujías para extraerla, Figura 12.

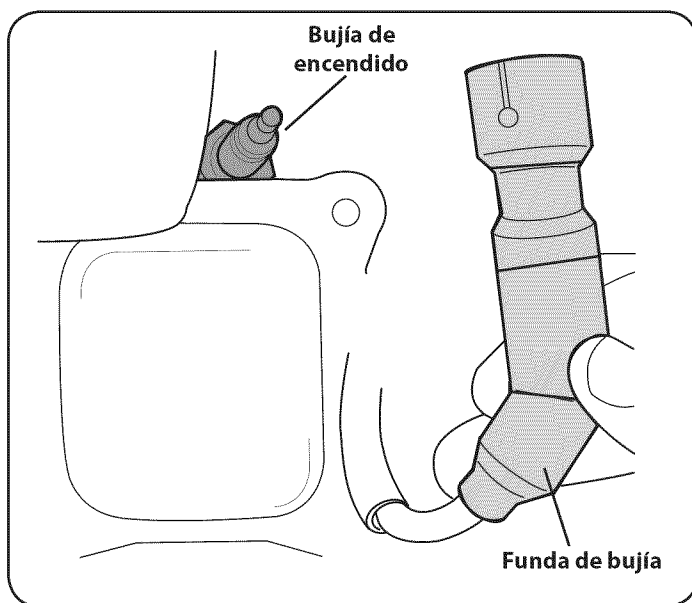


Figura 12

2. Inspeccione visualmente la bujía. Elimine la bujía si presenta desgaste visible, o si el aislante está agrietado o astillado. Limpie la bujía con un cepillo de alambre si se va a reutilizar.
3. Mida la separación de bujía con un calibre. Realice los ajustes necesarios torciendo el electrodo lateral, Figura 13. La separación debe ajustarse en 0,02-0,03 pulgadas (0,60-0,80 mm).

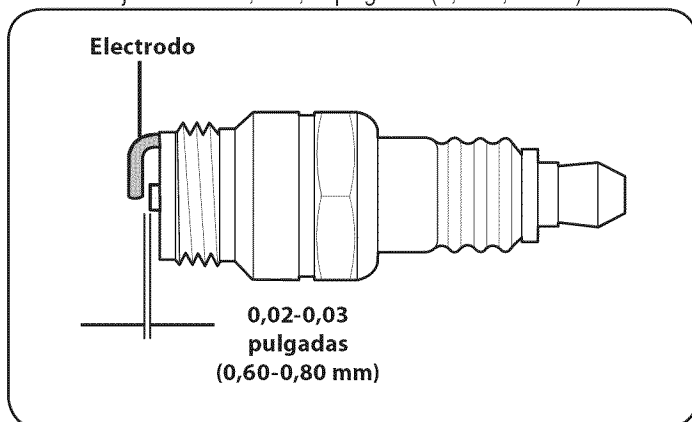


Figura 13

SERVICIO Y MANTENIMIENTO

4. Verifique que la arandela de la bujía esté en buenas condiciones y enrosque la bujía hacia adentro manualmente para evitar que se enrosque cruzada.
5. Una vez que la bujía está colocada en su lugar, apriete con una llave para bujía para comprimir la arandela.

NOTA: Cuando instale una bujía nueva, apriete 1/2 vuelta, después que la bujía se encuentra colocada en su lugar, para comprimir la arandela. Cuando reinstale una bujía usada, ajuste 1/8- a 1/4 de giro, después que la bujía se encuentra colocada en su lugar, a fin de comprimir la arandela.

⚠ PRECAUCIÓN

La bujía debe estar bien ajustada. Si la bujía está floja puede recalentarse y dañar el motor.

Limpieza del motor

Si el motor ha estado funcionando, déjelo enfriar durante por lo menos media hora antes de limpiarlo. Retire periódicamente la suciedad acumulada en el motor.

⚠ PRECAUCIÓN

No rocíe el motor con agua para limpiarlo porque el agua podría contaminar el combustible. Si se utiliza una manguera de jardín o equipo de lavado a presión también puede entrar agua dentro de la abertura del silenciador. El agua que pasa por el silenciador puede ingresar en el cilindro, causando daños.

⚠ ADVERTENCIA

La acumulación de residuos alrededor del silenciador podría producir un incendio. Inspeccione y limpie antes de cada uso.

LUBRICACIÓN

Lubrique los puntos de giro de la manija de control y del resorte de extensión del extremo del cable de control con un aceite liviano una vez por temporada y antes de almacenar la máquina quitanieve al final de la temporada.

AJUSTES

⚠ ADVERTENCIA

Antes de realizar el mantenimiento, reparar o inspeccionar el lanzador de nieve, la separación de la barrena. Pare el motor y quite la llave para prevenir no deseadas a partir.

Placa de raspado

Para verificar el ajuste de la placa de raspado, ubique la unidad sobre una superficie nivelada. Las ruedas, la placa de raspado y las barrenas deben tocar la superficie nivelada. Tenga en cuenta que si se afeitan la placa se ajusta demasiado alto, la nieve Mayo golpe en el marco del sinfín. Si la placa de raspado se desgasta excesivamente, o la unidad no se autopropulsa, es posible que la placa de raspado esté demasiado baja y deba ser ajustada.

NOTA: En las unidades nuevas o en las que tienen una placa de raspado nueva las barrenas pueden estar un poco separadas del suelo.

Para ajustar la placa de raspado proceda de la siguiente manera:

1. Drene la gasolina de la máquina quitanieve.
2. Jale de la cuerda de arranque hasta sentir resistencia. Luego incline la máquina quitanieve hacia atrás hasta que quede apoyada sobre las manijas.
3. Afloje las cuatro tuercas y pernos de seguridad que fijan la placa de raspado a la caja. Vea la Figura 14. Mueva la placa de raspado hacia la posición deseada y vuelva a apretar las tuercas y los pernos bien ajustados.

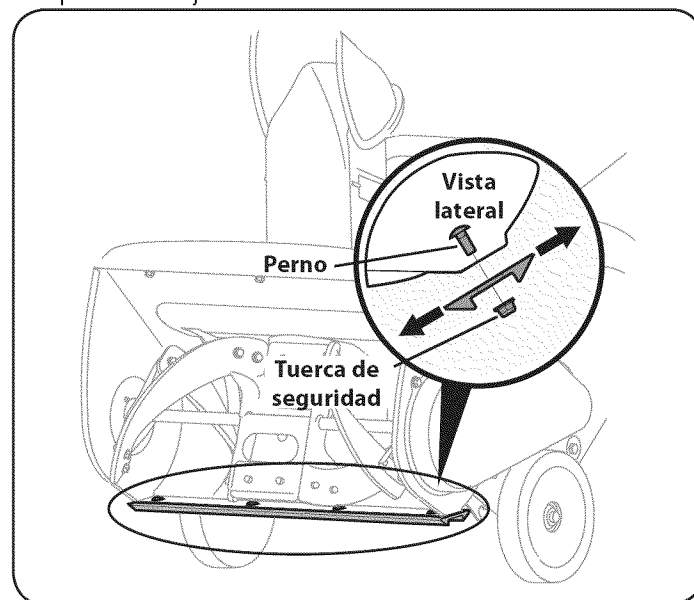


Figura 14

4. Incline la máquina quitanieve nuevamente a la posición de funcionamiento y jale de la manija de arranque varias veces para ver si es difícil jalar de la misma.
5. Si es difícil jalar del arranque, extraiga la bujía y jale de la manija varias veces para estar seguro de que se extraiga cualquier cantidad de aceite atrapada en el cabezal.

⚠ PRECAUCIÓN

Puede salir aceite del orificio de la bujía cuando la misma se extrae y se jala de la manija de arranque.

6. Inspeccione la bujía. Si está húmeda, limpie cualquier resto de aceite antes de volver a instalar.

SERVICIO Y MANTENIMIENTO

Cable de control

Es posible que necesite realizar ajustes periódicos debido al estiramiento del cable de control y de la correa de transmisión ocasionado por el desgaste. Si la barrena parece titubear mientras gira, haga lo siguiente:

El agujero superior de la manija de control tiene en cuenta el ajuste de la tensión del cable. Para realizar el ajuste, desconecte el extremo del cable de control del agujero inferior de la manija de control e insértelo en el agujero superior. Inserte el cable desde el exterior como se indica en la Figura 15.

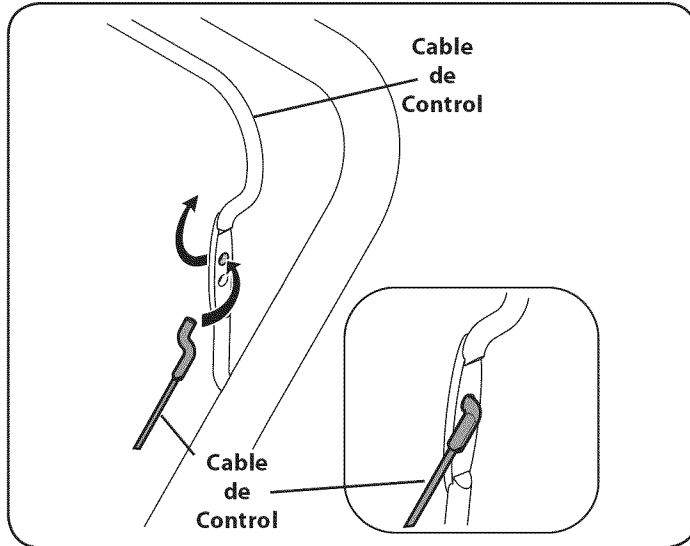


Figura 15

Pruebe la máquina quitanieve para ver si se logra una diferencia apreciable. Si luego de realizado el ajuste del cable de control la barrena sigue titubeando al girar, vea la Sustitución Belt para obtener las instrucciones para el reemplazo de la correa.

Montaje del canal

Consulte la sección Montaje y Configuración para ver las instrucciones para el ajuste del montaje del canal.

CAMBIO DE CORREA

Correa de transmisión de la barrena

1. Para sacar la cubierta de la correa saque los cinco tornillos hexagonales que la sujetan al bastidor. Vea la Figura 16.

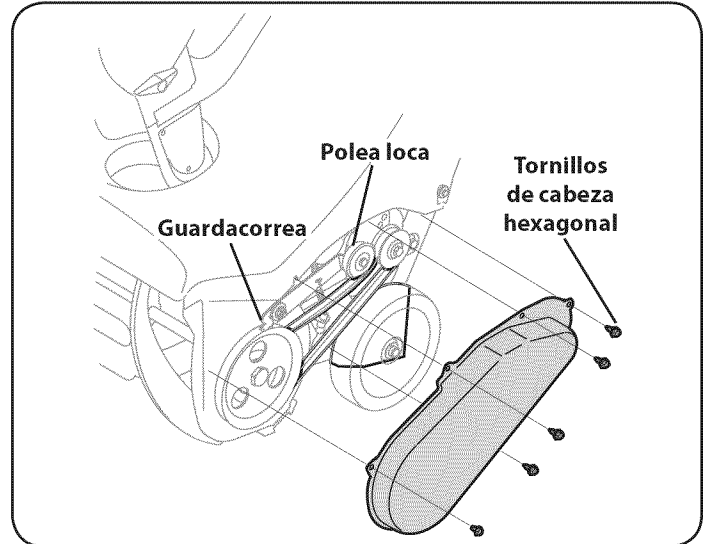


Figura 16

2. Retire la correa sujetándola por la base de la polea de la barrena y tire hacia afuera.

Para obtener la sustitución de Sears remos llamar al 1-800-4-MY-HOME. Pregunte por parte # 735-04033.

NOTA: Tire hacia abajo la polea loca para soltar la correa de debajo del guardacorrea. Vea la Figura 16.

Para volver a colocar la correa siga estas instrucciones y consulte la Figura 17:

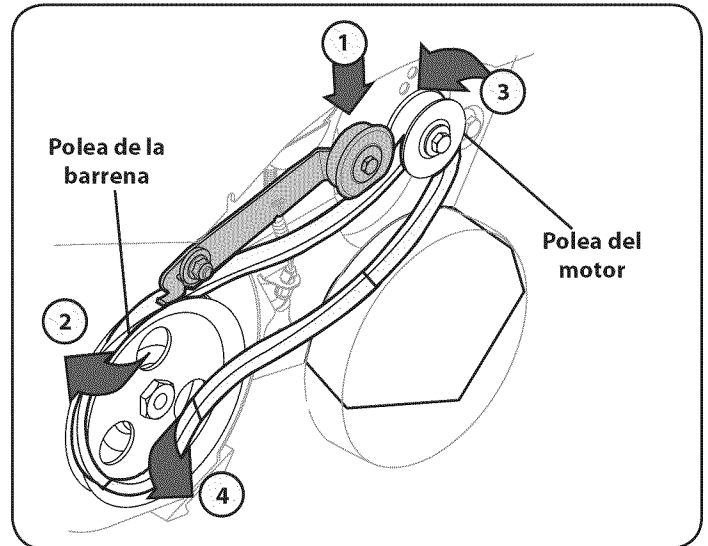


Figura 17

1. Tire hacia abajo la polea loca.
2. Ubique la correa encima de la polea de la barrena y debajo del guardacorrea.
3. Coloque la correa alrededor de la polea del motor.

SERVICIO Y MANTENIMIENTO

- Empuje la correa por encima de la base de la polea de la barrena.
- Vuelva a instalar la cubierta de la correa que sacó anteriormente.

REEMPLAZO DE LAS PALETAS DE LA BARRENA

Las paletas de caucho de la barrena de la máquina quitanieve se desgastan y se las debe cambiar si se presentan signos de desgaste excesivo.

⚠ PRECAUCIÓN

NO permita que las paletas de caucho de la barrena se desgasten hasta el punto en que partes de la barrena metálica misma toquen el pavimento. Si esto sucede la máquina quitanieve puede dañarse seriamente.

Para cambiar las paletas de caucho proceda de la siguiente manera:

- Saque las paletas de caucho existentes desenroscando los tornillos autorroscantes que las unen a la barrena. Vea la Figura 18.

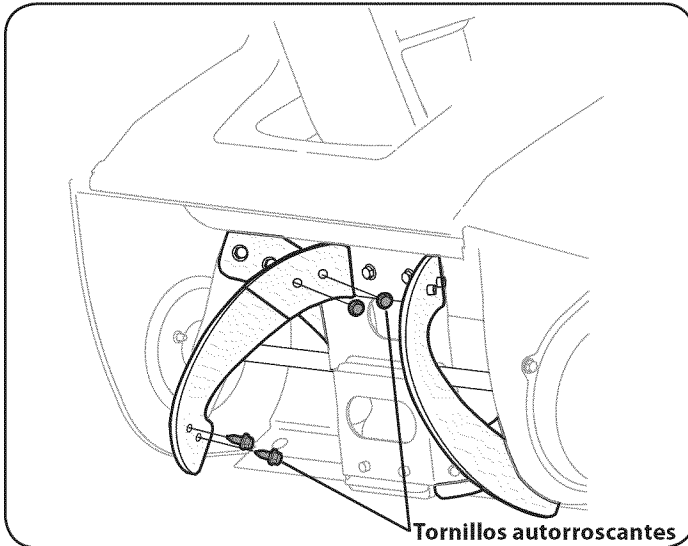


Figura 18

- Ajuste las nuevas paletas de caucho a la barrena usando los elementos de ferretería que sacó anteriormente.

REEMPLAZO DE LA PLACA DE RASPADO

La placa de raspado está adosada al fondo de la barrena y sujeta a desgaste. Se la debe controlar periódicamente. La placa de raspado tiene dos bordes de desgaste y se la puede invertir.

- Quite los cuatro pernos del carro y las tuercas de seguridad hexagonales que la sujetan a la caja de la máquina quitanieve.
- Inversa existente o instale una nueva placa de afeitado, asegurándose de que las cabezas de los pernos del carro queden en el interior de la caja.
- Coloque la placa de raspado como se indica en la página 43.
- Una vez colocada, ajuste bien.

Para obtener una nueva placa de afeitado, llame a Sears al 1-800-4-MY-HOME. Pregunte por parte # 731-1033.

ALMACENAMIENTO FUERA DE TEMPORADA

Si no se va a utilizar el equipo durante 30 días o más, o si es el final de la temporada de nieve y ya no existe posibilidad de que nieve, es necesario almacenar el equipo de manera adecuada. Siga las instrucciones de almacenamiento que se indican a continuación para garantizar el rendimiento máximo de la máquina quitanieve durante muchos años .

PREPARACIÓN DEL MOTOR

Los motores que se almacenan durante más de 30 días necesitan ser drenados de combustible para evitar que se deterioren y se forme goma en el sistema de combustible o en las piezas principales del carburador. Si la gasolina de su motor se deteriora durante el almacenamiento, es posible que deba reparar o reemplazar el carburador y otros componentes del sistema de combustible.

1. Elimine todo el combustible del tanque haciendo funcionar el motor hasta que se detenga.
 2. Cambie el aceite del motor.
 3. Extraiga la bujía de encendido y vierta en el cilindro aproximadamente 1 onza (30 ml) de aceite para motor limpio. Tire varias veces del arrancador de retroceso para distribuir el aceite y reinstale la bujía.
 4. Limpie los residuos de alrededor del motor, y debajo, alrededor, y detrás del silenciador. Aplique una capa delgada de aceite en todas las áreas que pueden llegar a oxidarse.
- Almacene en un sector limpio, seco y bien ventilado, lejos de cualquier artefacto que funcione con una llama o luz piloto como un horno, calentador de agua o secador de ropa. Evite cualquier sector con un motor eléctrico que produzca chispas o donde se utilicen herramientas eléctricas.

ADVERTENCIA

Nunca almacene la máquina quitanieve con combustible en el tanque en un espacio cerrado o en áreas con poca ventilación, donde los gases del combustible puedan alcanzar el fuego, chispas o una luz piloto como la que tienen algunos hornos, calentadores de agua, secadores de ropa o algún otro dispositivo a gas.

- Si es posible, evite sectores de almacenamiento con mucha humedad.
- Mantenga el motor nivelado en el almacén. La inclinación del motor puede causar pérdidas de combustible o aceite.

PREPARACIÓN DE LA MÁQUINA QUITANIEVE

1. Cuando almacene la máquina quitanieve en un galpón de depósito metálico o con poca ventilación, tenga especial cuidado de realizarle un tratamiento anti-oxidante al equipo. Use aceite ligero o silicón para recubrir el equipo, especialmente las cadenas, los resortes, los cojinetes y los cables.
2. Elimine todo el polvo del exterior del motor y del equipo.
3. Siga las recomendaciones de lubricación en la sección de mantenimiento de este manual.
4. Almacene el equipo en un área despejada y seca.

SOLUCIÓN DE PROBLEMAS

⚠️ ADVERTENCIA

Antes de realizar cualquier tipo de mantenimiento o servicio, desenganche todos los controles y detenga el motor. Espere a que se detengan completamente todas las piezas móviles. Desconecte el cable de la bujía y póngalo haciendo masa contra el motor para evitar que se encienda accidentalmente. Utilice siempre anteojos de seguridad durante el funcionamiento o mientras ajusta o repara este equipo.

Esta sección analiza problemas menores de servicio. Para ubicar el Centro de Servicio Sears más cercano o para programar un servicio, simplemente comuníquese con Sears al teléfono 1-800-4-MY-HOME®.

Problema	Causa	Solución
El motor no arranca	<ol style="list-style-type: none"> 1. El depósito de combustible está vacío o el combustible se ha echado a perder. 2. La línea del combustible está bloqueada. 3. No se introdujo completamente la llave. 4. Se ha desconectado el cable de la bujía. 5. La bujía no funciona correctamente. 6. El motor no está cebado. 7. El motor está ahogado ya que ha sido cebado demasiado. 	<ol style="list-style-type: none"> 1. Llene el depósito con gasolina limpia y nueva. 2. Limpie la línea del combustible. 3. Introduzca completamente la llave. 4. Conecte el cable a la bujía. 5. Limpie la bujía, ajuste la distancia disruptiva o cambie la bujía. 6. Ceba el motor de cinco a siete veces. 7. Espere al menos diez minutos antes de encender el motor.
El motor funciona de manera errática	<ol style="list-style-type: none"> 1. El motor está funcionando en la posición "choke" (cebador). 2. La línea del combustible está tapada o el combustible es viejo. 3. Hay agua o suciedad en el sistema de combustible. 4. Es necesario regular el carburador. 	<ol style="list-style-type: none"> 1. Mueva la palanca del cebador a la posición OFF (apagado). 2. Limpie la línea del combustible y llene el depósito con gasolina limpia y nueva. 3. Vacíe el tanque de combustible. Vuelva a llenar el depósito con combustible nuevo. 4. Comuníquese con un centro de servicio Sears.
El motor recalienta	<ol style="list-style-type: none"> 1. Es necesario regular el carburador. 	<ol style="list-style-type: none"> 1. Comuníquese con un centro de servicio Sears.
Pérdida de potencia	<ol style="list-style-type: none"> 1. El cable de la bujía está flojo. 2. La ventilación de la tapa del combustible está obstruida. 	<ol style="list-style-type: none"> 1. Conecte firmemente el cable de la bujía. 2. Destape la ventilación.
Vibración excesiva	<ol style="list-style-type: none"> 1. Hay piezas que están flojas o la barrena está dañada. 	<ol style="list-style-type: none"> 1. Detenga el motor de inmediato y desconecte el cable de la bujía. Controle si la máquina está dañada. Ajuste todos los pernos y las tuercas. Realice las reparaciones necesarias. Si el problema continúa, lleve la unidad a un distribuidor de servicio Sears.
La máquina quitanieve no se autopropulsa	<ol style="list-style-type: none"> 1. El cable del control de la barrena necesita un ajuste. 2. La correa de transmisión de la barrena está floja o dañada. 	<ol style="list-style-type: none"> 1. Ajuste el cable de control de la barrena tal y como se muestra en la sección de Servicio y Mantenimiento. 2. Reemplace la correa de transmisión de la barrena.
Las barrenas siguen girando	<ol style="list-style-type: none"> 1. El cable del control de la barrena necesita un ajuste. 	<ol style="list-style-type: none"> 1. Ajuste el cable de control de la barrena tal y como se muestra en la sección de Servicio y Mantenimiento.
La unidad no descarga la nieve	<ol style="list-style-type: none"> 1. El conjunto del canal está tapado. 2. Hay un objeto extraño en la barrena. 3. El cable del control de la barrena necesita un ajuste. 4. La correa de la barrena está floja o dañada. 	<ol style="list-style-type: none"> 1. Detenga el motor y desconecte el cable de la bujía. Limpie el canal y el interior de la caja de la barrena con la herramienta de limpieza o una varilla. 2. Detenga el motor de inmediato y desconecte el cable de la bujía. Retire el objeto de la barrena. 3. Ajuste el cable del control de la barrena. 4. Reemplace la correa de la barrena.

¿NECESITA MÁS AYUDA?

Encontrará la respuesta y más en managemyhome.com - ¡sin cargo!

- En línea podrá encontrar este manual y los manuales de todos sus otros productos.
- Sus preguntas serán respondidas por nuestro equipo de especialistas
- Obtenga un plan de mantenimiento personalizado para su hogar.
- Encuentre información y herramientas que lo ayudarán con los proyectos domésticos



NOTAS

NOTAS

**MTD CONSUMER GROUP, INC. (MTD), el Bordo de Recursos de Aire de California (CARB)
y la Agencia de Protección Medioambiental de Estados Unidos (U. S. EPA)**

Declaración de Garantía del Sistema de Control de Emisiones

(Derechos y obligaciones del propietario según la garantía contra defectos)

LA COBERTURA DE SISTEMA DE CONTROL DE EMISIÓN ES APLICABLE A MOTORES CERTIFICADOS COMPRADOS EN CALIFORNIA EN 2005 Y A PARTIR DE ENTONCES, QUE SON USADOS EN CALIFORNIA, Y HASTA AÑO 2005 DE MODELO CERTIFICADO Y MOTORES POSTERIORES QUE SON COMPRADOS Y USADOS EN OTRA PARTE EN LOS ESTADOS UNIDOS.

California y en otra parte en la Cobertura de Garantía de Defectos de Control de Emisión de los Estados Unidos

El Bordo de Recursos de Aire de California (CARB), la U. S. EPA y MTD se complacen en explicar la garantía del sistema de control de emisiones de su motor para equipo todo terreno, modelo, año 2005 y versiones posteriores. En California, los nuevos motores pequeños para equipo todo terreno se deben diseñar, fabricar y equipar para cumplir con estándares de antiniebla tóxica de estados. En otra parte en los Estados Unidos, el nuevo no camino, motores de ignición de chispa certificados para el modelo 2005 y más tarde, debe encontrar el juego de estándares similar adelante por los Estados Unidos. EPA. MTD debe garantizar el sistema de control de emisiones de su motor por el período de tiempo indicado más abajo, siempre y cuando no haya existido uso incorrecto, negligencia ni mantenimiento inadecuado de su motor pequeño para equipo todo terreno.

El sistema de control de emisiones puede incluir piezas como, por ejemplo, el carburador, sistema de inyección de combustible, el sistema de encendido, el catalizador, los depósitos de combustible, abastece de combustible líneas, gorras de combustible, válvulas, latas, filtros, mangueras de vapor, abrazaderas, conectores y otros componentes relacionados con las emisiones.

Donde exista una condición cubierta por la garantía, MTD reparará su motor pequeño para equipo todo terreno sin costo alguno incluyendo el diagnóstico, las piezas y la mano de obra.

COBERTURA DE LA GARANTÍA DEL FABRICANTE:

Este sistema de control de emisiones se garantiza por el término de dos años. Si alguna pieza de su motor relacionada con las emisiones es defectuosa, MTD reparará o sustituirá dicha pieza.

RESPONSABILIDADES DEL PROPIETARIO SEGÚN LA GARANTÍA:

Como propietario de un motor pequeño de equipo todo terreno, usted es responsable de realizar el mantenimiento necesario que figura en el manual del propietario. MTD le recomienda que conserve todos los recibos que cubren los servicios de mantenimiento del motor pequeño para equipo todo terreno, no obstante lo cual MTD no podrá denegar el cumplimiento de la garantía únicamente por la falta de recibos o por su imposibilidad de asegurar que se realizarán todos los servicios de mantenimiento programado.

Como propietario del motor pequeño para equipo todo terreno, sin embargo, usted también debe saber que MTD puede denegar la cobertura de la garantía si su motor pequeño para equipo todo terreno o una pieza del mismo fallan debido a uso incorrecto, negligencia, mantenimiento indebido o a modificaciones no aprobadas.

Usted es responsable de presentar la cortadora de césped al centro de distribución o de mantenimiento de MTD CONSUMER GROUP, INC. tan pronto como apareciera el problema. Las reparaciones cubiertas por la garantía se deben llevar a cabo en un lapso razonable que no exceda de 30 días. Si desea realizar alguna consulta con respecto a la cobertura de la garantía, debe ponerse en contacto con su distribuidor local de MTD. Para comunicarse con la Línea de Asistencia al Cliente de Distribuidores de MTD, llame al número (877) 282-8684.

REQUERIMIENTOS DE GARANTÍA SOBRE DEFECTOS PARA MOTORES PEQUEÑOS DE EQUIPO TODO TERRENO DE 1995 Y VERSIONES POSTERIORES:

Esta sección se aplica a motores pequeños de equipo todo terreno de 1995 y versiones posteriores. El período de garantía comienza a partir de la fecha en que el motor o el equipo se entregan al comprador final.

(a) Cobertura de la garantía contra emisiones generales

MTD garantiza al comprador final y a cada comprador subsiguiente que el motor:

- (1) ha sido diseñado, construido y equipado de manera que cumpla con todas las regulaciones vigentes adoptadas por el Departamento de los Recursos de Aire en virtud a su autoridad conferida en los capítulos 1 y 2, Parte 5, División 26 del Código de Salud y Seguridad; y
- (2) está libre de defectos en los materiales y en la mano de obra que causen la falla de una pieza bajo garantía que sea idéntica en todos los aspectos materiales a la pieza como aparece descrita en la aplicación del fabricante del motor para certificación por un período de dos años.

(b) La garantía sobre piezas relacionadas con emisiones se interpretará de la siguiente manera:

- (1) Cualquier pieza cubierta por garantía que no esté programada para su reemplazo según el mantenimiento requerido en las instrucciones escritas de la Subsección (c) debe estar garantizada por un período de garantía definido en la Subsección (a) (2). Si la pieza falla durante el período de cobertura de la garantía, la misma será reparada o reemplazada por MTD de acuerdo con la Subsección (4) a continuación. Cualquier pieza reparada o reemplazada según la garantía se garantizará por el resto del período de garantía.
- (2) Cualquier pieza cubierta por garantía que esté programada solo para inspección regular en las instrucciones escritas de la Subsección (c) debe estar garantizada por un período de garantía definido en la Subsección (a) (2). Una declaración en dichas instrucciones por escrito al efecto de "reparación o reemplazo según sea necesario" no reducirá el período de cobertura de la garantía. Cualquier pieza reparada o

reemplazada según la garantía se garantizará por el resto del período de garantía.

(3) Cualquier pieza garantizada que esté programada para reemplazo según el mantenimiento requerido de conformidad con las instrucciones escritas de la Subsección (c) se garantiza por el período de tiempo anterior a la primera fecha de reemplazo programada para esa pieza. Si la pieza falla antes del primer reemplazo programado, la misma será reparada o reemplazada por MTD de acuerdo con la Subsección (4) a continuación. Cualquier pieza reparada o reemplazada bajo garantía se garantizará por el resto del período anterior al primer reemplazo programado puntual para esa pieza.

(4) La reparación o el reemplazo de cualquier pieza garantizada de conformidad con las disposiciones de la garantía que aquí se estipula se debe realizar en un centro de garantía sin costo alguno para el propietario.

(5) Sin perjuicio de las disposiciones de la Subsección (4) anterior, los servicios o reparaciones cubiertos por la garantía deben ser suministrados por todos los centros de distribución de MTD que tengan la franquicia para realizar reparaciones y mantenimiento a los motores en cuestión.

(6) El propietario no debe afrontar ningún cargo para trabajos de diagnóstico que lleven a la conclusión de que una pieza bajo garantía presenta efectivamente defectos, siempre y cuando dicho diagnóstico sea llevado a cabo en un centro cubierto por la garantía.

(7) El fabricante del motor es responsable por daños causados a otros componentes de motores derivados de la falla bajo garantía de cualquier pieza garantizada.

(8) Durante todo el período de garantía del motor definido en la Subsección (a) (2), MTD mantendrá un suministro de piezas cubiertas por garantía suficiente para satisfacer la demanda esperada para tales piezas.

(9) Cualquier pieza de reemplazo se podrá usar para el cumplimiento del mantenimiento o reparaciones bajo garantía, y se suministrará sin cargo al propietario. Dicho uso no reducirá las obligaciones de garantía de MTD.

(10) No se podrán usar piezas adicionales ni modificadas que no estén exentas de acuerdo con el Departamento de los Recursos del Aire (Air Resources Board). El uso de piezas adicionales o modificadas no exentas será causa suficiente para anular un reclamo bajo garantía realizado de acuerdo con este artículo. El fabricante del motor no tendrá responsabilidad, en conformidad con este artículo, de garantizar fallas de piezas garantizadas que fueren causadas por el uso de una pieza no exenta adicional o modificada.

(c) MTD incluirá una copia de la siguiente lista de piezas bajo garantía contra emisiones con cada nuevo motor, utilizando las partes de la lista aplicables al motor.

- (1) Sistema de medición de combustible
 - Sistema de mejora para inicio en frío (cebado suave)
 - Carburador y componentes internos
 - Bomba de combustible
 - Depósito de combustible
- (2) Sistema de inducción de aire
 - Filtro de aire
 - Colector de entrada
- (3) Sistema de encendido
 - Bujía(s)
 - Sistema de encendido por magneto
- (4) Sistema de escape
 - Catalizador
 - SAI (válvula de Caña)
- (5) Componentes varios utilizados en el sistema anterior
 - Válvulas e interruptores de vacío, temperatura, posición sensibles al tiempo
 - Conectores y montajes
- (6) Control de Evaporative
 - Manguera de Combustible certificada para ARB evaporative emisión de 2006.
 - Abrazaderas de Manguera de Combustible
 - Gorra de combustible atada
 - Lata de carbón
 - Líneas de vapor

Busque el período de duración de emisiones importantes y la información de clasificación de aire en la etiqueta de emisiones de su motor

Los motores cuyo cumplimiento con los estándares de emisión Tier 2 de la Comisión de Recursos Ambientales de California (CARB) esté certificado deben exhibir la información relacionada con el período de duración de las emisiones y la clasificación de aire. Sears, Roebuck and Co., de los Estados Unidos ponen esta información a disposición del consumidor en nuestras etiquetas de emisiones.

El Período de Duración de las Emisiones describe el número de horas de tiempo real de funcionamiento para el cual se certifica que el motor cumple con las reglas de emisión, descontando el mantenimiento adecuado del mismo según las instrucciones de operación y mantenimiento. Se utilizan las siguientes categorías:

Moderado: Se certifica que el motor cumple con las reglas de emisión durante 125 horas de tiempo real de funcionamiento del motor.

Inmediato: Se certifica que el motor cumple con las reglas de emisión durante 250 horas de tiempo real de funcionamiento del motor.

Extendido: Se certifica que el motor cumple con las reglas de emisión durante 500 horas de tiempo real de funcionamiento del motor.

Por ejemplo, una cortadora de césped típica que se empuja desde atrás se usa entre 20 y 25 horas por año. Por lo tanto, el **Período de Duración de Emisiones** de un motor con una **clasificación intermedia** sería equivalente a entre 10 y 12 años.

La **clasificación de aire** es un número calculado para describir el nivel relativo de emisiones para un grupo de motores en particular. Cuanto menor sea la **clasificación de aire**, mayor es la limpieza del motor. La información se presenta de forma gráfica en la etiqueta de emisiones.

Después del 1 de julio de 2000, busque el período de cumplimiento de las reglas de emisiones en la etiqueta de cumplimiento de las reglas de emisiones del motor

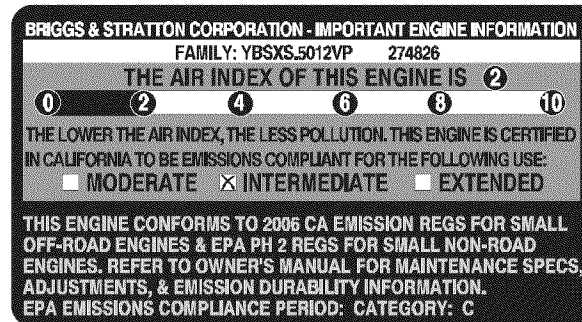
Después del 1 de julio de 2000 se certificará que determinados motores Sears, Roebuck and Co., de los Estados Unidos cumplen con los estándares de emisiones de la fase 2 de la Agencia de Protección Ambiental de los Estados Unidos (USEPA). Para los motores certificados para la etapa 2, el período de cumplimiento con las reglas de emisiones al cual se hace referencia en la etiqueta de cumplimiento con las reglas de emisiones indica el número de horas de funcionamiento para el cual se ha demostrado que el motor cumple con los requerimientos federales de emisión.

Para los motores con desplazamiento inferior a 225 cc, Categoría C = 125 horas, B = 250 horas y A = 500 horas.

Para los motores con desplazamiento de 225 cc o más, Categoría C = 250 horas, B = 500 horas y A = 1000 horas.

El desplazamiento de los motores de la serie modelo 150112 es 249 cc.

La presente es una representación genérica de la etiqueta de emisión que se encuentra generalmente en un motor certificado.



ACUERDO DE PROTECCIÓN PARA REPARACIONES

Felicitaciones por haber realizado una adquisición inteligente. El producto Craftsman® que ha adquirido está diseñado y fabricado para brindar muchos años de funcionamiento confiable. Pero como todos los productos a veces puede requerir de reparaciones. Es en ese momento cuando el disponer de un Acuerdo de protección para reparaciones le puede ahorrar dinero y problemas.

A continuación se detallan los puntos incluidos en el Acuerdo:

- **Servicio experto** prestado por nuestros 10,000 especialistas en reparaciones profesionales
- **Servicio ilimitado sin cargo** para las piezas y la mano de obra en todas las reparaciones cubiertas
- **Reemplazo del producto** hasta 1500 dólares si no es posible reparar el producto cubierto
- **Descuento de 10%** del precio normal del servicio y de las piezas relacionadas con el mismo que no estén cubiertas por el acuerdo; además, 10% del precio normal de la verificación de mantenimiento preventivo
- **Ayuda rápida por teléfono** - lo llamamos Resolución Rápida – el apoyo telefónico de un Chamusca al representante. Piense en nosotros como el manual “de un dueño hablador.”

Una vez adquirido el Acuerdo, puede programar el servicio con tan sólo realizar una llamada telefónica. Puede llamar en cualquier momento del día o de la noche o programar un servicio en línea. El Acuerdo de Protección de Reparación es una compra sin riesgo. Si usted anula por alguna razón durante el período de garantía de producto, proporcionaremos un reembolso lleno. O, un reembolso prorrateado en cualquier momento después del período de garantía de producto expira. ¡Adquiera hoy su acuerdo de protección para reparaciones!

Se aplican determinadas limitaciones y exclusiones. Para obtener información adicional y precios en los Estados Unidos llame al 1-800-827-6655.

El *Coverage en Canadá varía en algunos artículos. Para detalles llenos la llamada Chamusca Canadá en 1-800-361-6665.

Servicio de instalación de Sears

Si desea solicitar la instalación profesional de Sears de aparatos domésticos, dispositivos para abrir portones, calentadores de agua y otros artículos domésticos importantes, en los Estados Unidos o Canadá llame al **1-800-4-MY-HOME®**.

Get it fixed, at your home or ours!

Your Home

For expert troubleshooting and home solutions advice:

manage my home

www.managemyhome.com

For repair – **in your home** – of **all** major brand appliances, lawn and garden equipment, or heating and cooling systems, **no matter who made it, no matter who sold it!**

For the replacement parts, accessories and owner's manuals that you need to do-it-yourself.

For Sears professional installation of home appliances and items like garage door openers and water heaters.

1-800-4-MY-HOME[®] (1-800-469-4663)

Call anytime, day or night (U.S.A. and Canada)

www.sears.com www.sears.ca

Our Home

For repair of carry-in items like vacuums, lawn equipment, and electronics, call anytime for the location of your nearest

Sears Parts & Repair Service Center

1-800-488-1222 (U.S.A.) **1-800-469-4663** (Canada)

www.sears.com www.sears.ca

To purchase a protection agreement on a product serviced by Sears:

1-800-827-6655 (U.S.A.) **1-800-361-6665** (Canada)

Para pedir servicio de reparación a domicilio, y para ordenar piezas:

1-888-SU-HOGAR[®]

(1-888-784-6427)

Au Canada pour service en français:

1-800-LE-FOYER^{MC}

(1-800-533-6937)

www.sears.ca



® Registered Trademark / TM Trademark / SM Service Mark of Sears Brands, LLC

® Marca Registrada / TM Marca de Fábrica / SM Marca de Servicio de Sears Brands, LLC

MC Marque de commerce / MD Marque déposée de Sears Brands, LLC

© Sears Brands, LLC