

SEARS

**Operator's
Manual**

Model No.

257.796422 - 3 Wheels

257.796432 - 4 Wheels

257.796433 - 4 Wheels

358.796440 - 4 Wheels



**CUSTOMER
ASSISTANCE**

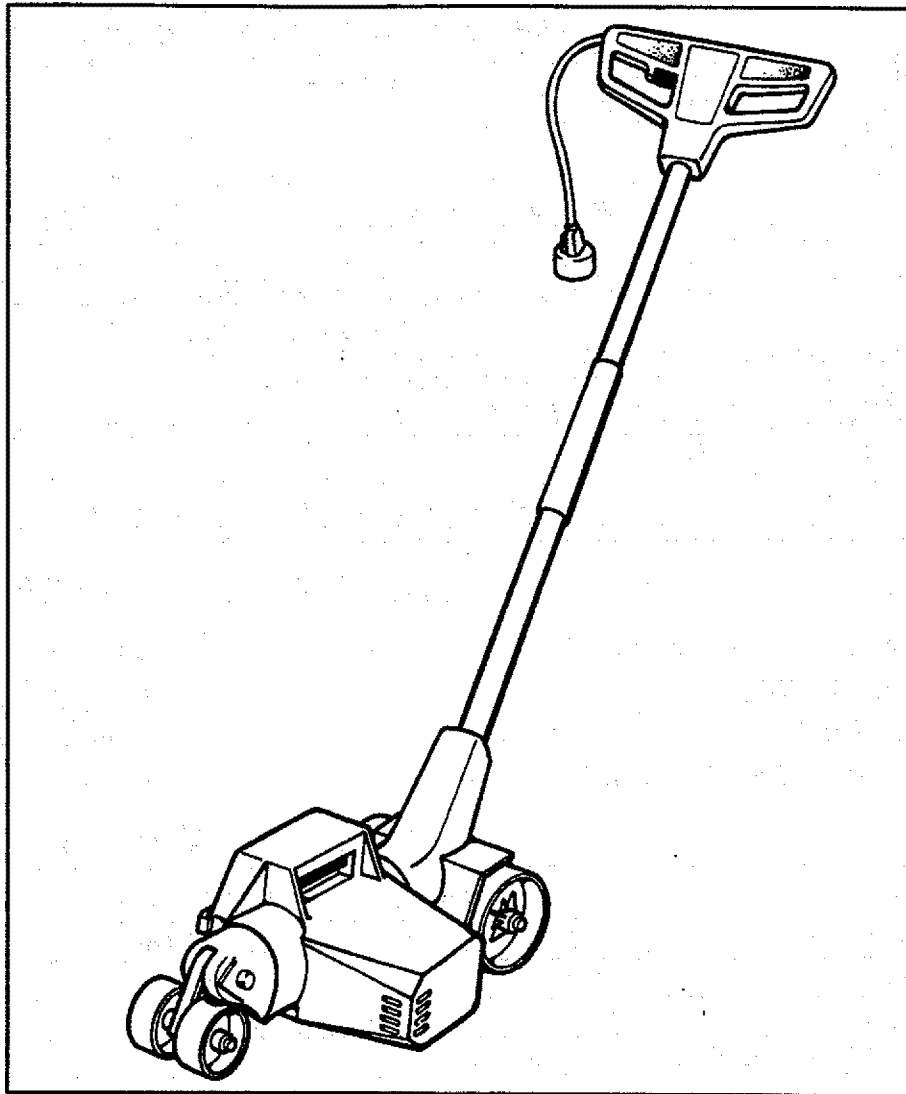
1-800-235-5878

HOURS:

Mon. - Sat. 7 a.m. - 7 p.m. CST
Sun. 10 a.m. - 7 p.m.

▲ WARNING:

**Read the Operator's Manual and
Follow All Warnings and Safety
Instructions. Failure To Do So
Can Result in Serious Injury.**



Always Wear Eye Protection

SEARS/CRAFTSMAN®

ELECTRIC EDGER

DOUBLE INSULATED

- Assembly
- Maintenance
- Operation
- Repair Parts

Sears, Roebuck and Co., Hoffman Estates, IL 60179 U.S.A.

**FULL ONE YEAR WARRANTY ON CRAFTSMAN ELECTRIC EDGER
MODELS 257.796422, 257.796432, 257.796433**

If this Craftsman Electric Edger fails to perform properly due to a defect in material or workmanship within one (1) year from the date of purchase, Sears will repair or replace it, free of charge.
This warranty does not cover the blade.
WARRANTY SERVICE IS AVAILABLE BY RETURNING THE CRAFTSMAN ELECTRIC EDGER TO THE NEAREST SEARS STORE IN THE UNITED STATES.
This warranty gives you specific legal rights, and you may also have other rights which vary from state to state.

SEARS, ROEBUCK AND CO. D/817 WA HOFFMAN ESTATES, IL 60179

**FULL TWO YEAR WARRANTY ON CRAFTSMAN ELECTRIC EDGER
MODEL 358.796440 ONLY**

If this Craftsman Electric Edger fails to perform properly due to a defect in material or workmanship within two (2) years from the date of purchase, Sears will repair or replace it, free of charge.
This warranty does not cover the blade.
WARRANTY SERVICE IS AVAILABLE BY RETURNING THE CRAFTSMAN ELECTRIC EDGER TO THE NEAREST SEARS STORE IN THE UNITED STATES.
This warranty gives you specific legal rights, and you may also have other rights which vary from state to state.

SEARS, ROEBUCK AND CO. D/817 WA HOFFMAN ESTATES, IL 60179

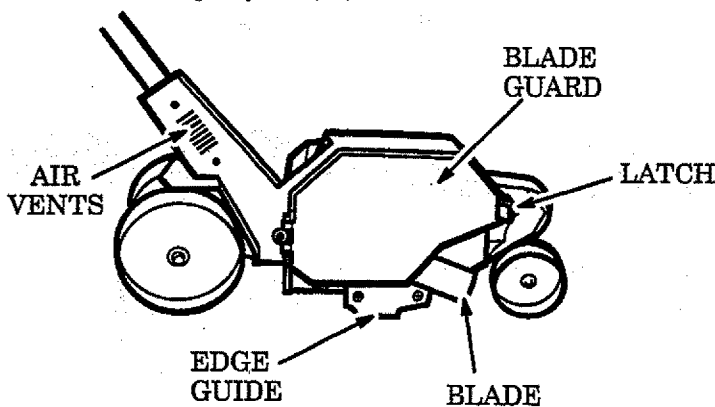
TABLE OF CONTENTS

WARNINGS AND SAFETY INSTRUCTIONS .. 3	USING YOUR UNIT 7
KNOW YOUR UNIT 5	CUSTOMER RESPONSIBILITIES -
ASSEMBLY 6	MAINTENANCE 9
PRE-OPERATION CHECKS 6	ACCESSORIES 10
	PARTS AND SERVICE 12

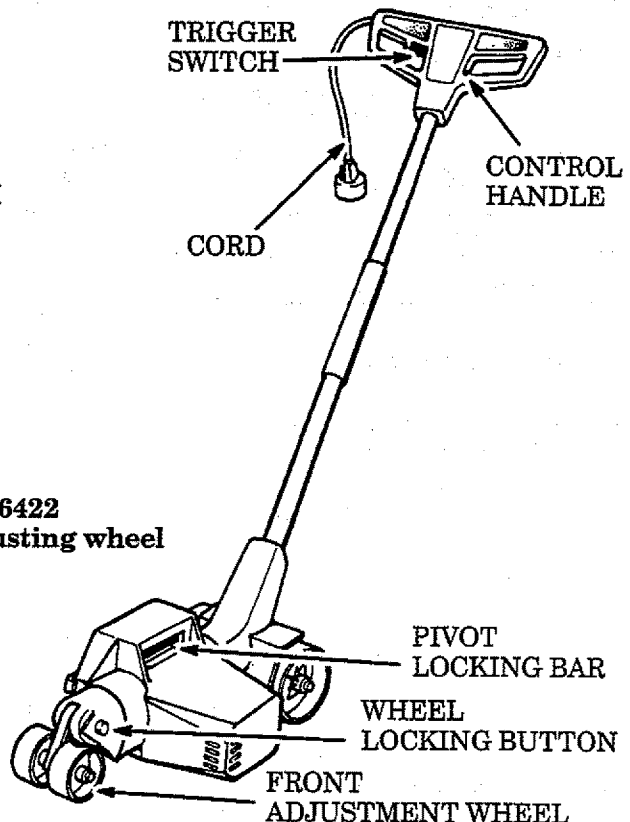
SPECIFICATIONS

MODEL:	257.796422	257.796432 & 257.796433	358.796440
MOTOR:	1 HP, Permanent Magnet	1.25 HP, Permanent Magnet	1.50 HP, Permanent Magnet
VOLTAGE:	120 Volts A.C.	120 Volts A.C.	120 Volts A.C.
AMPS:	6.0	8.0	7.5
CUTTING DEPTH:	1 Inch Maximum	1-1/4 Inch Maximum	1-1/4 Inch Maximum

Manufactured under the following U. S. patent: 4,463,544.



**MODEL 257.796422
has only one front adjusting wheel**

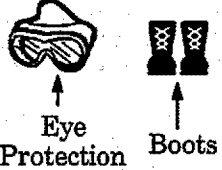


! LOOK FOR THIS SYMBOL TO POINT OUT IMPORTANT SAFETY PRECAUTIONS. IT MEANS "ATTENTION! BE ALERT! YOUR SAFETY IS INVOLVED."

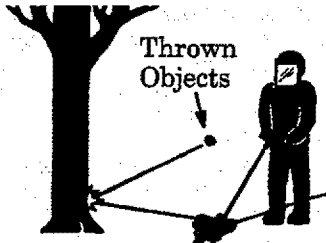
▲ WARNINGS AND SAFETY INSTRUCTIONS

▲ WARNING: When using electric edgers, basic safety precautions should always be followed to reduce the risk of fire, electric shock, and personal injury. Read all instructions (see additional safety instructions throughout this manual).

▲ DANGER: THIS POWER TOOL CAN BE DANGEROUS! This unit can cause serious injury including amputation or blindness to the operator and others. The warnings and safety instructions in this manual must be followed to provide reasonable safety and efficiency in using this unit. The operator is responsible for following the warnings and instructions in this manual and on the unit. Read the entire Operator's Manual before assembling and using this unit! Restrict the use of this power tool to persons who read, understand, and follow the warnings and instructions in this manual and on the unit.



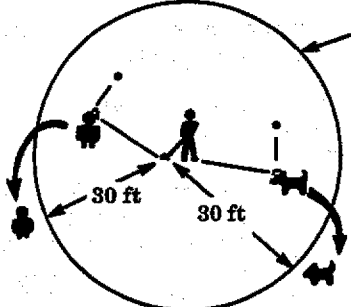
Eye Protection Boots



Thrown Objects

▲ WARNING
BLADE CAN THROW OBJECTS VIOLENTLY.

- YOU CAN BE BLINDED OR INJURED.
- WEAR EYE PROTECTION.



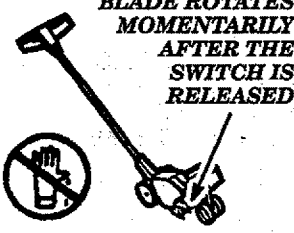
60 Foot Hazard Zone

30 ft 30 ft

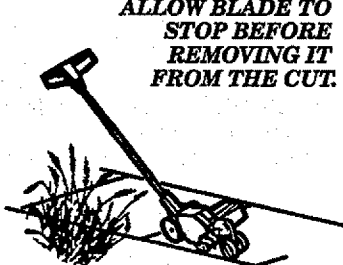
▲ WARNING
HAZARD ZONE FOR THROWN OBJECTS

- BLADE CAN THROW OBJECTS VIOLENTLY.
- OTHERS CAN BE BLINDED OR INJURED.
- KEEP PEOPLE AND ANIMALS 30 FEET AWAY.

BLADE ROTATES MOMENTARILY AFTER THE SWITCH IS RELEASED




ALLOW BLADE TO STOP BEFORE REMOVING IT FROM THE CUT.




▲ WARNING
BLADE ROTATES MOMENTARILY.

- THE BLADE CAN SERIOUSLY CUT YOU OR OTHERS.
- ALLOW BLADE TO STOP BEFORE REMOVING IT FROM THE CUT.




▲ WARNING
CUTTING BLADE CAN CUT THE EXTENSION CORD.

- A CUT EXTENSION CORD CAN CAUSE SERIOUS ELECTRICAL SHOCK TO YOU OR OTHERS.
- KEEP THE EXTENSION CORD AWAY FROM THE CUTTING BLADE.



Operator's Manual



Safety Labels

▲ WARNING
READ OPERATOR'S MANUAL.

- FOLLOW ALL WARNINGS AND INSTRUCTIONS.
- FAILURE TO DO SO CAN RESULT IN SERIOUS INJURY.

If situations occur which are not covered in this manual, use care and good judgment. If you need assistance, contact your nearest Sears Service Center or call the CUSTOMER ASSISTANCE HOTLINE at 1-800-235-5878.

SAVE THESE INSTRUCTIONS

WARNINGS AND SAFETY INSTRUCTIONS...(Continued)

▲ OPERATOR SAFETY

1. DRESS PROPERLY -- Always wear safety glasses or similar eye protection when operating, servicing, or performing maintenance on your unit. Always wear a face mask or dust mask if operation is dusty. Always wear heavy, long pants, long sleeves, boots, and gloves. Do not go barefoot or wear short pants, short sleeves, sandals, jewelry, loose clothing, or clothing with loosely hanging straps, ties, tassels, etc.; they can be caught in moving parts. Secure hair so it is above shoulder length. Being fully covered will help protect you from pieces of toxic plants such as poison ivy thrown by the blade, which could be more of a hazard than touching the plant itself.
2. STAY ALERT -- Do not operate unit when you are tired, ill, or under influence of alcohol, drugs, or medication. Watch what you are doing; use common sense.
3. AVOID UNINTENTIONAL STARTING OF THE UNIT -- Never carry the unit with your finger on the switch. Keep your hands and fingers away from the switch when connecting the extension cord.
4. DANGER -- RISK OF CUT -- KEEP HANDS AND FEET AWAY FROM BLADE AND CUTTING AREA -- Do not attempt to clear away cut material when the blade is in motion. Make sure switch is in the off position and the power source is disconnected when removing jammed material from the cutting blade. Do not grab or hold unit by the cutting blade.
5. CAUTION -- Blade moves momentarily after the switch is turned off.

▲ ELECTRICAL SAFETY

1. Use only a 120 A.C. voltage supply as shown on the name plate of the unit.
2. Avoid dangerous situations. Do not use in the presence of flammable liquids or gases to avoid creating a fire or explosion and/or causing damage to unit.
3. WARNING -- TO REDUCE THE RISK OF ELECTRICAL SHOCK -- Do not use in rain, in damp or wet locations, or around swimming pools, hot tubs, etc. Do not expose to snow, rain, or water to avoid the possibility of electrical shock.
4. WARNING -- TO REDUCE THE RISK OF ELECTRICAL SHOCK -- Use extension cords specifically marked as suitable for outdoor appliances having an electrical rating not less than the rating of the unit. The cord must be marked with the suffix "W-A." Use a polarized cord. Make sure your extension cord is in good condition. An undersized extension cord will cause a drop in line voltage resulting in loss of power and overheating. If in doubt, use the next heavier gauge. The smaller the gauge number the heavier the cord (NOTE: Figure 2 shows the correct size to be used depending on the cord length).
5. DO NOT ATTEMPT TO REPAIR UNIT -- Inspect insulation and connectors on unit and extension cord before each use. If there is any damage, do not use until damage is repaired by your SEARS Service Center/Department.
6. REPLACE OR REPAIR DAMAGED CORDS -- have damaged cords repaired or replaced by your SEARS Service Center.
7. DON'T ABUSE CORD -- Never carry unit by the extension cord or yank extension cord to disconnect the unit.
8. To reduce the possibility of the extension cord disconnecting from the unit during operation, tie the power cord on the unit to the extension cord as shown in Figure 3. Insert the cord socket on the unit into the extension cord receptacle.
9. Do not use unit if the switch does not turn the unit on and off properly. Repairs to the switch must be made by your Sears Service Center.
10. Keep extension cord clear of operator and obstacles at all times. Do not expose the cord to heat, oil, water, or sharp edges.
11. Avoid any body contact with any grounded conductor, such as metal pipes or wire fences, to avoid the possibility of electric shock.

12. Ground Fault Circuit Interrupter (GFCI) protection should be provided on the circuit or outlet to be used for this unit. Receptacles are available having built-in GFCI protection and may be used for this measure of safety.
13. TO REDUCE THE RISK OF ELECTRICAL SHOCK -- This unit has a polarized plug. This plug will fit a polarized outlet of extension cord only one way. If the plug does not fit fully in the outlet, reverse the plug. If it still does not fit, contact a qualified electrician to install the proper outlet. Do not change the plug in any way.

▲ UNIT SAFETY

1. DO NOT ATTEMPT TO REPAIR UNIT -- Inspect entire unit and extension cord before each use. Have damaged parts repaired or replaced by your Sears Service Center. Make sure all fasteners, handles, and guards are in place and securely fastened. A guard or other part that is damaged should be properly repaired or replaced by a Sears Service Center.
2. Throw away blades that are bent, warped, cracked, broken, or damaged in any other way. Before using your unit, have your Sears Service Center repair or replace parts that are cracked, chipped, broken, or damaged in any other way.
3. Use only genuine replacement blades and accessories as recommended for this unit. Disconnect unit from the power supply before changing the blade.
4. Install required blade guard properly before using the unit. Keep blade guard in good working order.

▲ EDGING SAFETY

1. Inspect the area to be edged before each use. Remove objects (rocks, broken glass, nails, wire, string, etc.) which can be thrown by blade or can wrap around arbor shaft.
2. KEEP CHILDREN AWAY -- Keep others including children, animals, bystanders and helpers outside the 60 foot (20 meter) Hazard Zone. Stop the unit immediately if you are approached.
3. Always keep the unit in front of your body.
4. Hold the unit firmly with both hands.
5. DO NOT OVERREACH OR USE FROM UNSTABLE SUPPORT -- Keep firm footing and balance at all times.
6. Keep the wheels in contact with the ground.
7. Do not raise the unit above the ground. The blade can come dangerously close to your body.
8. Always push unit slowly over ground. Stay alert for uneven sidewalks, holes in terrain, large roots, etc.
9. DO NOT FORCE UNIT -- It will do the job better and with less likelihood of a risk of injury at the rate for which it was designed. Use the right appliance. Use only for jobs explained in this manual.

▲ MAINTENANCE SAFETY

1. MAINTAIN UNIT WITH CARE -- Maintain unit according to recommended procedures. Keep blade and blade guard clean to reduce the risk of injury.
2. Never start unit with blade guard removed; blade can fly off or can throw objects and cause serious injury.
3. DISCONNECT THE UNIT FROM THE POWER SOURCE before performing maintenance.
4. Use only genuine SEARS replacement parts as recommended.
5. Have all maintenance and service not explained in this manual performed by your Sears Service Center.
6. Never douse or squirt the unit with water or any other liquid. Clean the unit and labels with a damp sponge. Keep handles dry, clean, and free from oil and grease.

▲ TRANSPORTING AND STORAGE

1. Hand carry the unit with the motor stopped and the blade away from your body.
2. Do not grasp or hold the exposed cutting blade.
3. Unplug unit before storing; secure unit when transporting it in a vehicle.
4. Store unit so the blade cannot accidentally cause injury. The unit can be hung by the handle.
5. STORE UNIT INDOORS -- Store unit unplugged in a high, dry place out of reach of children.

KNOW YOUR UNIT

A. CONGRATULATIONS on your purchase of a SEARS Craftsman Edger. It has been designed, engineered and manufactured to give you the best possible dependability and performance.

Should you experience any problems you cannot easily remedy, please contact your nearest SEARS Service Center/Department. SEARS has competent, well trained technicians and the proper tools to service or repair this unit.

Please read and retain this manual. The instructions will enable you to assemble and maintain you unit properly. Always observe the "Warnings and Safety Instructions."

B. INTRODUCTION

Your unit will edge sidewalks, driveways, and curbs precisely and neatly.

C. UNPACKING INSTRUCTIONS

1. After removing the contents from the carton, check the parts against the carton contents list.
2. Examine the parts for damage. Do not use damaged parts.
3. *If a part is missing or damaged, immediately notify your SEARS store or call our CUSTOMER ASSISTANCE HOTLINE at 1-800-235-5878.*

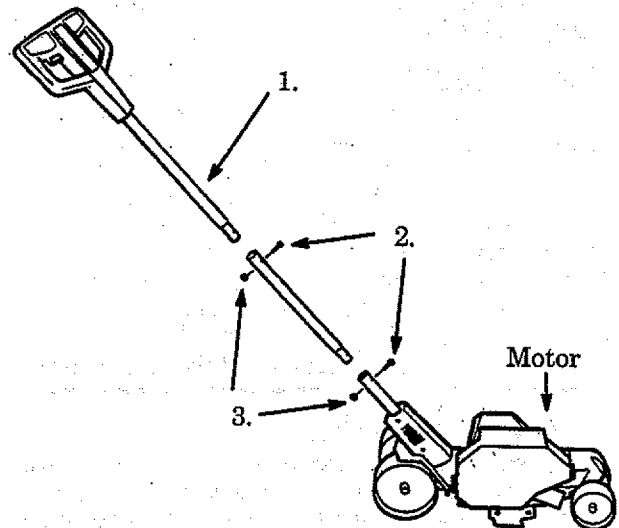
D. CARTON CONTENTS

KEY NO.	QTY.
1. Edger/Handle/Tube Assembly	1
-- Operator's Manual (not shown)	1
-- Loose Parts Bag (not shown)	1

LOOSE PARTS BAG CONTENTS:

2. Screw	2
3. Locknut	2

NOTE: The edger is packaged with the motor in a shipping position. Rotate the motor to the operating position before using your unit.



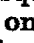
E. DOUBLE INSULATION CONSTRUCTION

This unit is Double Insulated to help protect against electric shock. Double insulation construction consists of two separate "layers" of electrical insulation instead of grounding.

Tools and appliances built with a double insulation system are not intended to be grounded. No grounding means is provided on this unit, nor should a means of grounding be added to this unit. As a result, the extension cord used with your unit can be plugged into any standard 120 volt electrical outlet.

Safety precautions must be observed when operating any electrical tool. The double insulation system only provides added protection against injury resulting from an internal electrical insulation failure.

▲ WARNING

All electrical repairs to this unit, including housing, switch, motor, etc., must be diagnosed and repaired by qualified service personnel. Replacement parts for a double insulated appliance must be identical to the parts they replace. A double insulated appliance is marked with the words "DOUBLE INSULATION" or "DOUBLE INSULATED." The symbol (square within a square)  may also be marked on the appliance. Failure to have the unit repaired by SEARS service personnel can cause the double insulation construction to become ineffective and result in serious injury.

ASSEMBLY

(If unit is received assembled, repeat all steps in this section to be sure assembly is correct.)

A. PREPARATION

This Operator's Manual has been developed to help you assemble the unit and to provide its safe operation. It is important that you read the entire manual to become familiar with the unit *before* you begin assembly.

1. Read your Operator's Manual

2. Tools you will need:

- Phillips Screwdriver
- Adjustable Wrench

B. TUBE ASSEMBLY

1. Remove the two shipping plugs from the tubes.
2. Slide the outer tube down the upper tube and over the end of the lower tube. Figure 1. Align the screw hole in the outer tube with the screw hole in the lower tube. Figure 1.
3. Insert screw through the aligned holes. Figure 1.
4. Align the screw hole in the outer tube with the screw hole in the upper tube. Figure 1.
5. Insert screw through the aligned holes. Figure 1.
6. Thread locknuts onto screws and tighten securely.

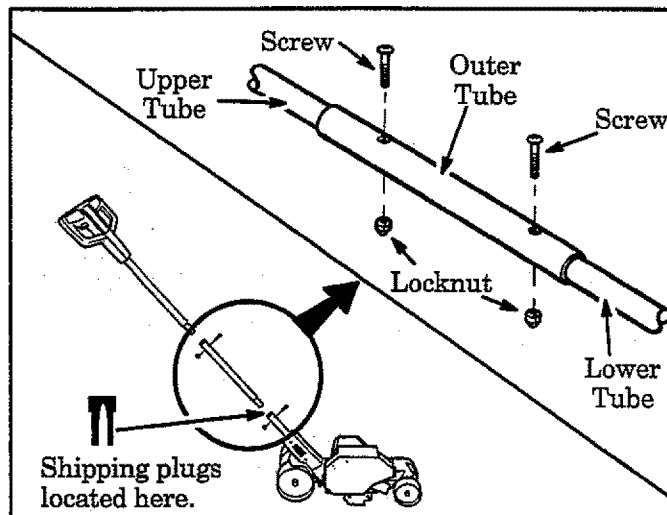


Figure 1

C. EXTENSION CORD

1. Use only a 120 A.C. voltage supply as shown on nameplate of the unit to power your edger.
2. The extension cord used to reach the power source must be:
 - a. Specifically marked as suitable for outdoor use. The cord must be marked with the suffix "W-A."
 - b. Heavy enough to carry current from the power source the full length of the extension cord to the unit. Otherwise, loss of power and overheating can occur causing damage to the unit. Refer to Figure 2 for minimum wire gauge recommendations. The cord must be marked with the proper wire gauge. (Appropriate extension cords are available.) Do not use multiple cords.
 - c. In good condition. Cord insulation must be intact with no cracks or deterioration. Plug connectors must be undamaged.
3. Secure extension cord to unit as follows:
 - a. Tie the power plug on the unit to the extension cord as shown in Figure 3.
 - b. Insert plug into cord socket. Figure 3.

To reduce the risk of electric shock, this unit has a polarized plug (one blade is wider than the other). This plug will fit into a polarized extension cord only one way. If

the plug does not fit fully into the extension cord, reverse the cord. If it still does not fit, make sure you have a polarized extension cord. If the extension cord does not fit into the outlet, reverse the cord. If it still does not fit into the outlet, contact a qualified electrician to install the proper outlet. Do not change the plug or socket of the unit or extension cord in any way.

MINIMUM WIRE GAUGE RECOMMENDATIONS				
VOLTS	25 FT.	50 FT.	100 FT.	150 FT.
120	18 A.W.G.*	16 A.W.G.*	14 A.W.G.*	12 A.W.G.*

*American Wire Gauge

Figure 2

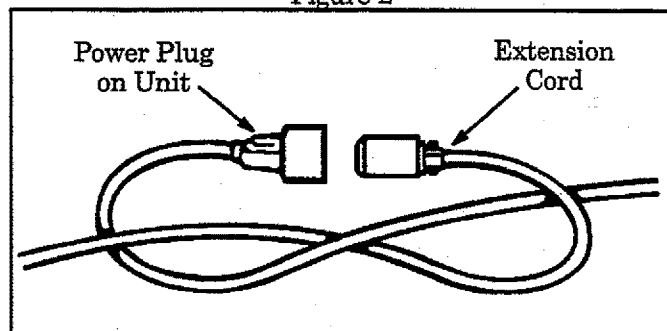


Figure 3

PRE-OPERATION CHECKS

▲ WARNING

Review all Warnings and Safety Instructions in this manual.

Before operating your unit, always:

1. Inspect the entire unit before each use. Replace damaged parts. Make sure all fasteners are in place and securely fastened.
2. Throw away blades that are bent, warped,

cracked, broken, or damaged in any other way before using the unit.

3. Use only genuine SEARS edger blades and accessories. Never use saw blades.
4. Use only with the blade guard properly attached.
5. Make sure blade is properly installed and securely fastened. Refer to "CUSTOMER RESPONSIBILITIES."

USING YOUR UNIT

▲ DANGER – THIS POWER UNIT CAN BE DANGEROUS!

This unit can cause serious injury including amputation or blindness to the operator and others. The warnings and safety instructions in this manual must be followed to provide reasonable safety and efficiency in using this unit. The operator is responsible for following the warnings and instructions in this manual and on the unit. **Read the entire Operator's Manual before using this unit! Restrict the use of this unit to persons who read, understand, and follow the warnings and instructions in this manual and on the unit.**

A. EDGER SAFETY

1. OPERATOR SAFETY

- a. **Read the entire Operator's Manual before assembling and using this unit!** Restrict the use of this unit to persons who read, understand, and follow the warnings and instructions in this manual and on the unit.
- b. **Always wear a safety face shield or goggles.** The blade guard will not prevent rocks and debris from being thrown or ricocheting into the eyes and face which can result in loss of vision or serious injury. See the "Accessories" section.
- c. **Always wear heavy, long pants, boots, and gloves.** Do not go barefoot or wear short pants, sandals, jewelry, loose clothing, or clothing with loosely hanging straps, ties, tassels, etc.; they can be caught in moving parts. Secure hair so it is above shoulder length. Being fully covered will help protect you from pieces of toxic plants such as poison ivy thrown by the trimmer head which could be more of a hazard than touching the plant itself.
- d. **Do not operate this unit when you are tired, ill, or under the influence of alcohol, drugs, or medication.**
- e. **Hold the unit firmly with both hands.**

2. UNIT

- a. **Inspect the entire unit before each use.** Have damaged parts repaired or replaced by qualified service personnel. Make sure all fasteners are in place and securely fastened.
- b. **Be sure the blade guard is properly attached.** The blade guard *must be installed* when using the unit.
- c. **Make sure the blade is properly installed and securely fastened.**
- d. **Rest rear wheels on ground, supporting blade off ground away from trees, bushes, onlookers, etc.** Do not allow the blade to make contact until you are ready to begin edging.

3. EDGING

- a. **Inspect the area to be cut before each use.** Remove objects (rocks, broken glass, nails, wire, string, etc.) which can be thrown or become entangled in the blade.
- b. **Always keep the unit in front of your body.** Hold handle firmly with both hands. Figure 4.
- c. **Keep firm footing and balance.** Do not over-reach.
- d. **Keep wheels in contact with the ground.**
- e. **Do not raise motor above your waist.** The blade can come dangerously close to your body.
- f. **Direct the discharge of debris away from people, animals, glass, and solid objects** such as trees, automobiles, walls, etc. The spinning blade may cause rocks, dirt, sticks, etc., to be thrown or to ricochet which may hurt people or animals, break glass, or cause other damage.
- g. **Do not use edger on graveled surfaces or in extremely muddy areas.**
- h. **Always push the unit slowly over rough ground.** Stay alert for uneven sidewalks, holes in the terrain, or other similar conditions.
- i. **Use only for jobs explained in this manual.**

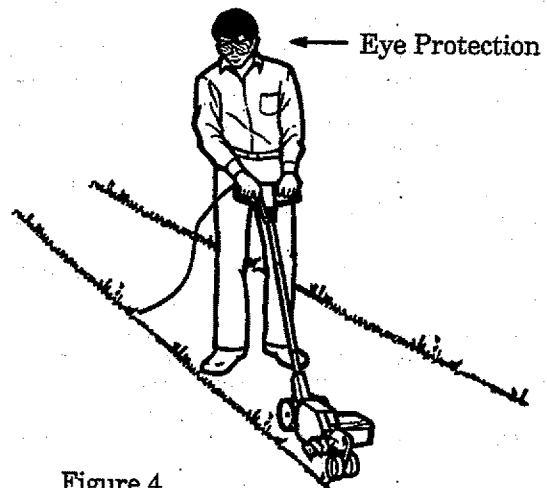


Figure 4

B. OPERATING POSITION

Your unit has two operating positions, as follows: one for edging, one for trenching.

To set the operating position, do the following:

1. Squeeze the pivot locking bar and pivot the motor to the desired position. Figure 5. Release the pivot locking bar, making sure the motor locks into position.
2. Pivot the front wheel position to correspond to the rear wheel position by squeezing the pivot locking bar and rotating the front wheel assembly. Figure 5. Make sure the front wheel assembly locks into position.

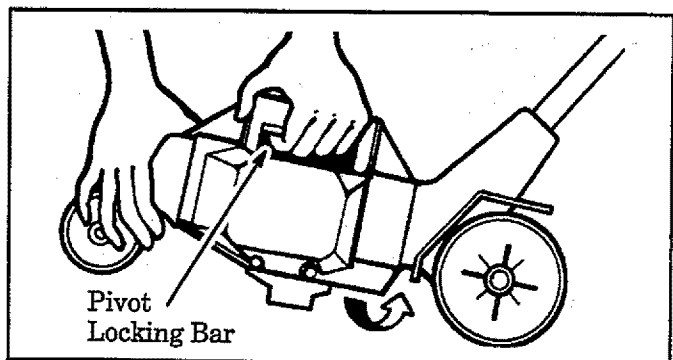


Figure 5

C. SETTING THE DEPTH

▲ WARNING

Never attempt to adjust the depth adjusting wheel when the motor is running. Always stop the motor, wait until the blade stops turning, and disconnect the unit from the power source before making adjustments.

Your edger is equipped with three cutting positions which help control the depth of edging and trenching. Adjust to the following positions to compensate for blade wear:

Cutting Position 1 – First edging cut or re-cut after several weeks.

Cutting Position 2 – Maintain initial cut – compensate for blade wear – slightly deeper cut than #1.

Cutting Position 3 – Maintain initial cut – compensate for blade wear – slightly deeper cut than #2.

IMPORTANT: Do not use cutting positions 2 and 3 for first cuts, or you may overload the motor, shortening its life.

To set edging/trenching depth, do the following: Press wheel locking button and pivot the wheel to the desired position. Figure 6. Release the wheel locking button, making sure the wheel is in the locked position.

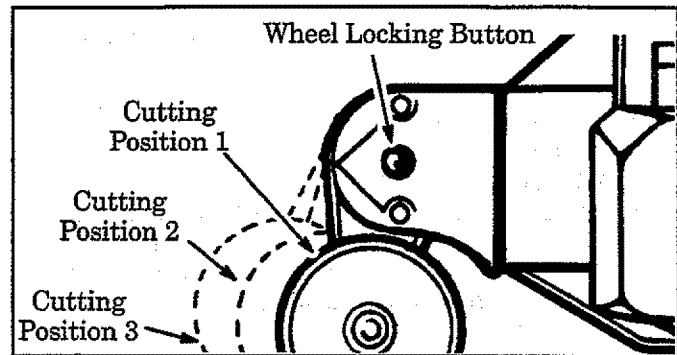


Figure 6

D. OPERATING INSTRUCTIONS

▲ WARNING

The operator or others must not try to clear away cut material with the motor running or the blade turning to avoid serious injury.

▲ WARNING

Stop motor and blade and disconnect the unit from the power source before removing materials wrapped around blade shaft to avoid injury.

1. Allow the motor to reach full speed before entering the material to be cut. The blade has maximum cutting power at full speed and is less likely to bind or stall.
2. If blade does not turn when switch is activated, make sure it is not stuck or bound by debris.

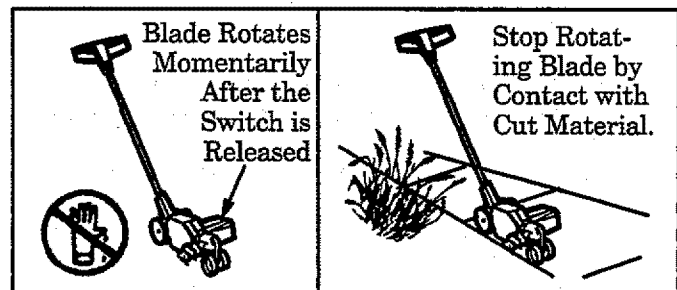


Figure 7

3. Always release the switch and allow motor to stop when not cutting.
4. To stop the motor, release the switch; allow blade to stop turning before removing it from the cut. Figure 7.

E. OPERATING TIPS

As you become familiar with your edger, you will be able to determine your own operating pace. Conditions such as depth of cut, angle of cut, and material being cut will regulate the speed and time required for your edging job.

EDGING (Figure 8) – yields precise, close cutting around sidewalks, driveways, patios, etc.

TRENCHING (Figure 9) – provides a wider cut or trench around sidewalks, driveways, patios, etc.. Trenching removes more material and therefore increases motor load. Be careful to cut slowly to avoid motor stalling or overload.

1. Allow the blade to reach full speed before placing the blade in the cut. Be careful to cut slowly to avoid motor stalling or overload.
2. If the area to be edged has never been cut or several weeks have passed since the last cut, then use the cutting position 1. Figure 6.
3. Keep your edging path straight by guiding the depth adjusting wheel flat on walkway. Figure 8.
4. Always work going away from people and solid objects such as walls, large stones, trees, automobiles, etc.
5. Be careful when edging near trees or valuable plants. The high speed metal blade may cut roots and cause damage to the plants.
6. Always keep blade area clean. Stop the unit, make sure blade has completely stopped turning, and disconnect unit from the power source before cleaning.

7. If blade stalls, immediately raise the blade from the cut by lowering the handle. If blade continues to stall when raised, stop the unit, disconnect the power source, open the blade guard cover, and inspect blade area for blockage or damage. Clean the blade area of mud/grass and close the blade guard cover.

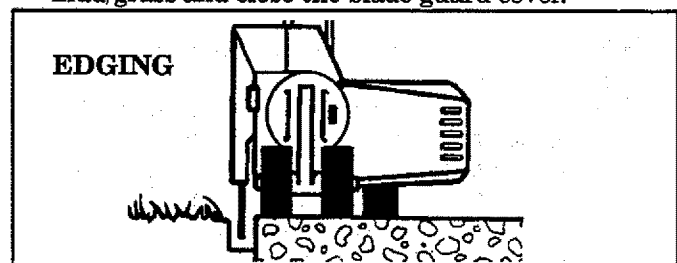


Figure 8

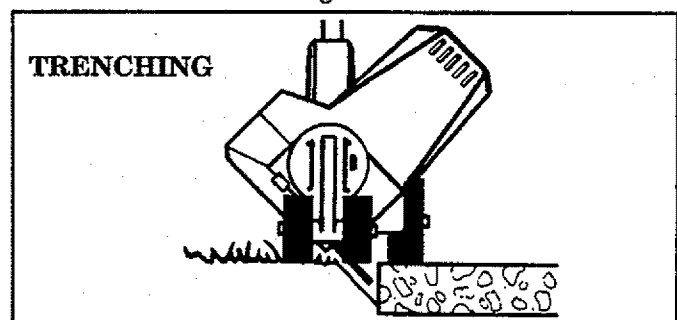


Figure 9

SERVICE – CUSTOMER RESPONSIBILITIES

A. MAINTENANCE SAFETY

1. Maintain the unit according to recommended procedures.
2. Never start the unit with the blade guard removed. The blade can throw debris, which can result in serious injury.
3. Disconnect power source before performing maintenance.

4. Replace blade parts that are cracked, chipped, broken, or damaged in any other way before using the unit.
5. Use only genuine SEARS replacement parts as recommended.
6. Inspect the entire unit. Replace damaged parts. Make sure all fasteners are in place and securely fastened.

B. MAINTENANCE – BLADE

▲ WARNING

The blade will spin momentarily after the motor stops. Make sure the blade has stopped turning and disconnect the unit from the power source before performing work on the blade.

CAUTION: Wear protective gloves when handling or performing maintenance on the blade to help avoid injury.

- Use the proper replacement blade. Contact your SEARS Store for the proper part number.
- The blade is reversible. When the cutting edge on one side becomes worn, turn the blade over.
- Check blade for flatness periodically. Lay the blade on a flat surface and inspect the blade for flatness. Throw away a blade that is not flat.

▲ WARNING

Always replace a blade that is bent, warped, cracked, broken, or damaged in any other way. Never attempt to straighten and re-use a damaged blade. Use only the specified replacement blade.

To reverse or replace blade, do the following:

1. Disconnect the unit from the power source.
2. Push the latch toward the front wheel and open the blade guard cover. Figure 10 (inset).
3. Bend the tabs on the lockstrap away from the hex nuts. Figure 10.
4. Remove the hex nuts, washers, lockstrap, and blade from the unit. Figure 11.
5. Clean all parts and check for damage. Replace damaged parts.
6. Reverse or replace blade; then, set it into position over both mounting bolts. Figure 11.

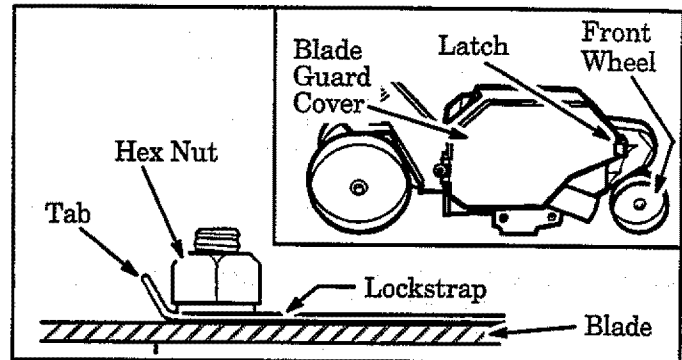


Figure 10

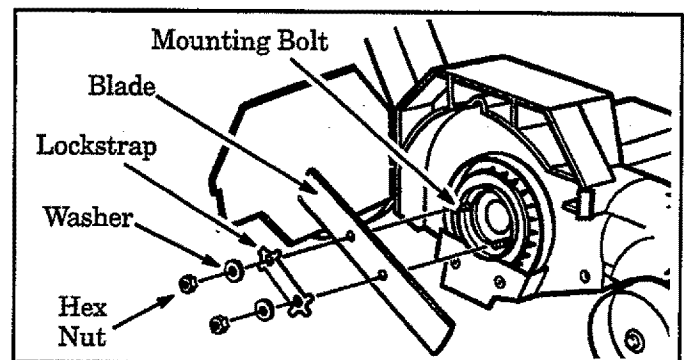


Figure 11

7. Replace lockstrap, washers, and hex nuts. Figure 11. Tighten hex nuts securely.
8. Bend tabs on lockstrap toward the hex nut.
9. Close the blade guard cover, making sure the latch is properly locked.

CAUTION: Do not use the unit without the blade guard cover closed and the latch properly locked.

NOTES

TROUBLE SHOOTING CHART

SYMPTOM	CAUSE	REMEDY
Blade stops under a load or does not turn when switch is pressed.	a. Forcing blade into material being cut. b. Depth adjustment set too low. c. Blade guard clogged with debris. d. Edge guide bent toward blade. e. Unit unplugged. f. None of the above.	a. Cut at a slower pace. b. Raise edger by altering depth adjustment. c. Clean blade guard area. d. Replace edge guide. e. Plug unit into a standard 120 volt outlet. f. Contact your SEARS Service Center/Dept.
Blade turns but will not cut.	a. Incorrect Blade/Blade worn too short. b. Depth Adjustment set too high. c. Neither of the above.	a. Replace blade. b. Lower edger by altering depth adjustment. c. Contact your SEARS Service Center/Dept.
Edger drags ground or cuts too deep.	a. Edger depth adjustment set too low. b. Depth adjustment mechanism(s) or wheel mount(s) broken. c. Neither of the above.	a. Raise edger by altering depth adjustment. b. Contact your SEARS Service Center/Dept. c. Contact your SEARS Service Center/Dept.

ACCESSORIES

SAFETY GOGGLES
BLADE
EXTENSION CORD

NOTES

NOTES

SEARS

Operator's Manual

Model No.

257.796422 - 3 Wheels

257.796432 - 4 Wheels

257.796433 - 4 Wheels

358.796440 - 4 Wheels

How to Order Repair Parts

REPAIR SERVICE
1-800-4-REPAIR
(1-800-473-7247)

ORDERING PARTS
1-800-FON-PART
(1-800-366-7278)

**CUSTOMER
ASSISTANCE**
1-800-235-5878

HOURS:
Mon. - Sat. 7 a.m. - 7 p.m.
CST
Sun. 10 a.m. - 7 p.m.

The Model Number can be found on the decal below the top handle. The Serial Number is located on the rear swivel. Always mention the Model Number when requesting service or repair parts for your unit.

All parts listed herein may be ordered from any Sears Service Center and most Sears Stores.

WHEN ORDERING REPAIR PARTS ALWAYS GIVE THE FOLLOWING INFORMATION AS SHOWN IN THIS LIST:

- | | |
|------------------------------|-------------------------|
| 1. The PART NUMBER | 3. The PART DESCRIPTION |
| 2. The MODEL NUMBER | 4. The NAME OF ITEM -- |
| 257.796422 - 3 Wheels | ELECTRIC EDGER |
| 257.796432 - 4 Wheels | |
| 257.796433 - 4 Wheels | |
| 358.796440 - 4 Wheels | |

If the parts you need are not stocked locally, your order will be transmitted to a Sears Repair Parts Distribution Center for handling.



When you buy merchandise from Sears you get an extra value that nobody else can offer -- Sears Service.

Across town or across the country, Sears Service is always near, providing trustworthy, competent service technicians using only Sears specified factory parts.

Your Sears Merchandise takes on added value when you discover that Sears has Service Units throughout the country. Each is staffed by Sears-Trained, professional technicians using Sears approved methods.

Sears, Roebuck and Co., Hoffman Estates, IL 60179 U.S.A.

PRINTED IN U.S.A.