

SEARS

OWNERS MANUAL

MODEL NO.
315.10670

CAUTION:
Read Rules for
Safe Operation
and Instructions
Carefully

SAVE THIS
MANUAL FOR
FUTURE REFERENCE



CRAFTSMAN[®]

TWO-SPEED ELECTRIC BUFFER-POLISHER DOUBLE INSULATED

Introduction
Operation
Maintenance
Repair Parts



Designed exclusively for and sold only by
SEARS, ROEBUCK AND CO., Dept. 698/731A, Sears Tower, Chicago, IL 60684

FULL ONE YEAR WARRANTY ON CRAFTSMAN BUFFER — POLISHER

If this Craftsman Buffer-Polisher fails to give complete satisfaction within one year from the date of purchase, **RETURN IT TO THE NEAREST SEARS STORE THROUGHOUT THE UNITED STATES** and Sears will repair it, free of charge.

If this Buffer-Polisher is used for commercial or rental purposes this warranty applies for only 90 days from the date of purchase.

This warranty gives you specific legal rights, and you may also have other rights which vary from state to state.

SEARS, ROEBUCK AND CO.
DEPT. 698/731A
SEARS TOWER
CHICAGO, IL 60684

INTRODUCTION

DOUBLE INSULATION is a concept in safety, in electric power tools, which eliminates the need for the usual three wire grounded power cord and grounded supply system. Wherever there is electric current in the tool there are two complete sets of insulation to protect the user. All exposed metal parts are isolated from the internal metal motor components with protecting insulation.

IMPORTANT — Servicing of a tool with double insulation requires extreme care and knowledge of the system and should be performed only by a qualified service technician. For service we suggest you

RULES FOR SAFE OPERATION

WARNING — DO NOT ATTEMPT TO OPERATE THIS TOOL UNTIL YOU HAVE READ THOROUGHLY AND UNDERSTAND COMPLETELY ALL INSTRUCTIONS, RULES, ETC. CONTAINED IN THIS MANUAL. FAILURE TO COMPLY CAN RESULT IN ACCIDENTS INVOLVING FIRE, ELECTRIC SHOCK, OR SERIOUS PERSONAL INJURY. SAVE OWNERS MANUAL AND REVIEW FREQUENTLY FOR CONTINUING SAFE OPERATION, AND INSTRUCTING POSSIBLE THIRD-PARTY USER.

READ ALL INSTRUCTIONS

1. **KNOW YOUR POWER TOOL** — Read owner's manual carefully. Learn its applications and limitations as well as the specific potential hazards related to this tool.
2. **GUARD AGAINST ELECTRICAL SHOCK BY PREVENTING BODY CONTACT WITH GROUNDED SURFACES.** For example: Pipes, radiators, ranges, refrigerator enclosures.
3. **KEEP GUARDS IN PLACE** and in working order.
4. **KEEP WORK AREA CLEAN.** Cluttered areas and benches invite accidents.
5. **AVOID DANGEROUS ENVIRONMENT.** Don't use power tool in damp or wet locations or expose to rain. Keep work area well lit.
6. **KEEP CHILDREN AWAY.** All visitors should wear safety glasses and be kept a safe distance from work area. Do not let visitors contact tool or extension cord.
7. **STORE IDLE TOOLS.** When not in use, tools should be stored in a dry, high or locked-up place — out of the reach of children.
8. **DON'T FORCE TOOL.** It will do the job better and safer at the rate for which it was designed.
9. **USE RIGHT TOOL.** Don't force small tool or attachment to do the job of a heavy duty tool. Don't use tool for purpose not intended - for example - Don't use a circular saw for cutting tree limbs or logs.
10. **WEAR PROPER APPAREL.** No loose clothing or jewelry to get caught in moving parts. Rubber gloves and footwear are recommended when working outdoors. Also, wear protective hair covering to contain long hair.

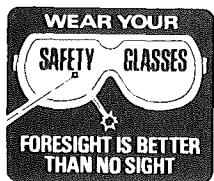
TWO SPEED SWITCH

Your Craftsman Buffer-Polisher is equipped with a two-speed switch located in the thumb access area at the side of the motor housing. When applying wax move the slide switch to the position marked "Lo". When removing wax or buffing move the slide switch to the position marked "Hi". Note: Before plugging in always check to make sure the switch is in the "Off" position.

return the tool to your nearest Sears Store for repair. Always use original factory replacement parts when servicing.

RULES FOR SAFE OPERATION (Continued)

11. **USE SAFETY GLASSES** with all tools. Also face or dust mask if cutting operation is dusty.
12. **DON'T ABUSE CORD.** Never carry tool by cord or yank it to disconnect from receptacle. Keep cord from heat, oil, and sharp edges.
13. **SECURE WORK.** Use clamps or a vise to hold work. It's safer than using your hand and it frees both hands to operate tool.
14. **DON'T OVERREACH.** Keep proper footing and balance at all times. Do not use on a ladder or unstable support.
15. **MAINTAIN TOOLS WITH CARE.** Keep tools sharp at all times, and clean for best and safest performance. Follow instructions for lubricating and changing accessories.
16. **DISCONNECT TOOLS FROM POWER SUPPLY.** When not in use, before servicing, or when changing attachments, blades, bits, cutters, etc., all tools should be disconnected from power supply.
17. **REMOVE ADJUSTING KEYS AND WRENCHES.** Form habit of checking to see that keys and adjusting wrenches are removed from tool before turning it on.
18. **AVOID ACCIDENTAL STARTING.** Don't carry plugged-in tools with finger on switch. Be sure switch is off when plugging in.
19. **OUTDOOR USE EXTENSION CORDS.** When tool is used outdoors, use only extension cords suitable for use outdoors. Outdoor approved cords are marked with the suffix W-A, for example — SJTW-A or SJOW-A.
20. **NEVER USE IN AN EXPLOSIVE ATMOSPHERE.** Normal sparking of the motor could ignite fumes.
21. **INSPECT TOOL CORDS PERIODICALLY.** and if damaged, have repaired at your nearest Sears Repair Center. Stay constantly aware of cord location.
22. **INSPECT EXTENSION CORDS PERIODICALLY** and replace if damaged.
23. **KEEP HANDLES DRY, CLEAN, AND FREE FROM OIL AND GREASE.** Always use a clean cloth when cleaning. Never use brake fluids, gasoline, petroleum-based products, or any strong solvents to clean your tool.
24. **STAY ALERT.** Watch what you are doing and use common sense. Do not operate tool when you are tired. Do not rush.
25. **CHECK DAMAGED PARTS.** Before further use of the tool, a guard or other part that is damaged should be carefully checked to determine that it will operate properly and perform its intended function. Check for alignment of moving parts, binding of moving parts, breakage of parts, mounting, and any other conditions that may affect its operation. A guard or other part that is damaged should be properly repaired or replaced by an authorized service center unless indicated elsewhere in this instruction manual.
26. **DO NOT USE TOOL IF SWITCH DOES NOT TURN IT ON AND OFF.** Have defective switches replaced by authorized service center.
27. **DRUGS, ALCOHOL, MEDICATION.** Do not operate tool while under the influence of drugs, alcohol, or any medication.
28. **SAVE THESE INSTRUCTIONS.** Refer to them frequently and use them to instruct third party user. If you loan someone your Buffer-Polisher, loan them these instructions also.



The operation of any Buffer-Polisher can result in foreign objects being thrown into the eyes, which can result in severe eye damage. Always wear safety glasses or eye shields before commencing power tool operation. We recommend Wide Vision Safety Mask for use over spectacles or standard safety glasses, available at Sears Catalog Order or Retail Stores.

OPERATION

INSTALLING BONNETS

1. Unplug your Buffer-Polisher. **Danger:** Failure to unplug your buffer-polisher may result in accidental starting causing serious injury.
2. Place Buffer-Polisher as shown in Fig. 1.
3. Stretch bonnet over polishing pad and continue around the pad as shown in Fig. 1. **Warning:** Make sure bonnet is evenly and securely attached to polishing pad. See Fig. 2. Failure to securely attach bonnet may result in bonnet being thrown from tool causing injury.

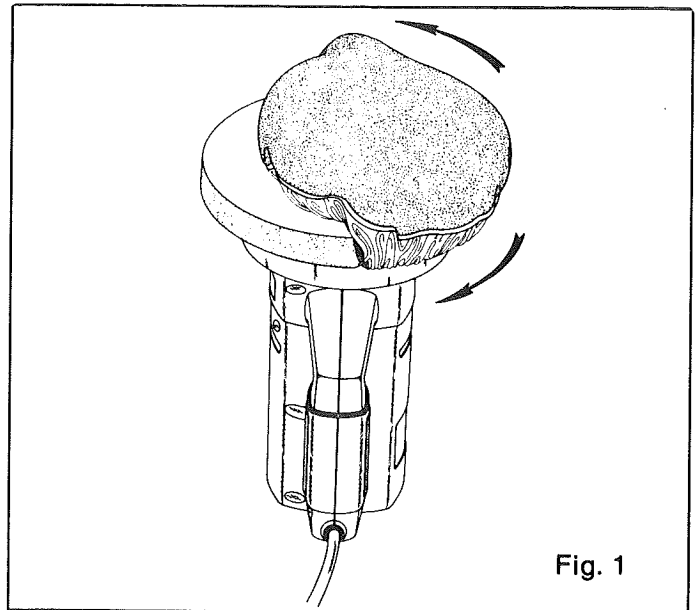


Fig. 1

APPLYING WAX TO BONNET

Your Buffer-Polisher was shipped with two polishing bonnets and one buffing bonnet. Use one polishing bonnet to apply polish and the second polishing bonnet to remove it. First attach the bonnet to the polishing pad with the black side of the bonnet facing outward. Then apply paste wax or liquid wax to the bonnet. Apply a small amount at first and increase the amount gradually until you become familiar with the correct amount to apply. Excess wax will be thrown from the bonnet or will build up in spacings between doors and fenders.

WARNING: ALWAYS WEAR SAFETY GLASSES OR EYESHIELDS WHEN APPLYING WAX WITH YOUR BUFFER-POLISHER. FAILURE TO DO SO COULD RESULT IN EXCESS WAX BEING THROWN INTO YOUR EYES, RESULTING IN POSSIBLE SERIOUS INJURY.

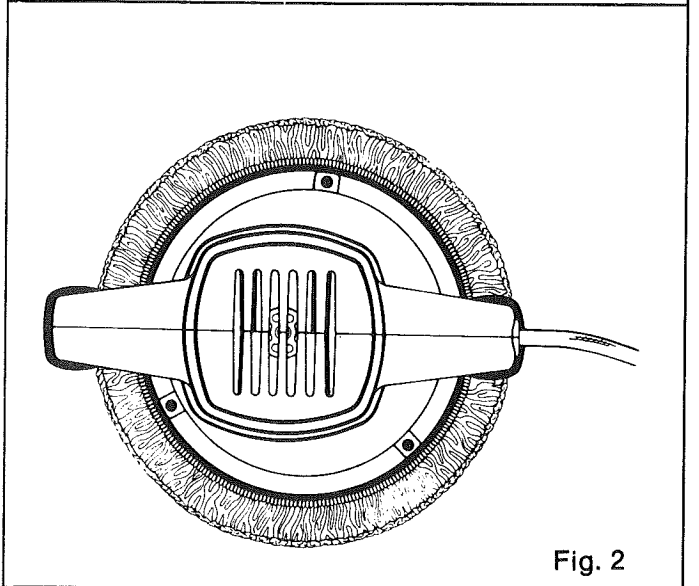


Fig. 2

APPLYING WAX TO POLISHING SURFACE

After the wax has been applied to the bonnet, place the Buffer-Polisher flat on the polishing surface **BEFORE** turning it "on". **WARNING:** Failure to place tool flat on polishing surface before turning "On" could result in the bonnet being thrown from tool or wax being thrown from the bonnet possibly causing eye injury or damage to your clothing. Hold your Buffer-Polisher as shown in Fig. 3 and move the slide switch to the position marked "Lo". **WARNING: KEEP CORD AWAY FROM ROTATING POLISHING HEAD AT ALL TIMES. FAILURE TO DO SO COULD RESULT IN CORD WRAPPING AROUND SPINDLE SHAFT CAUSING POSSIBLE SERIOUS INJURY.**

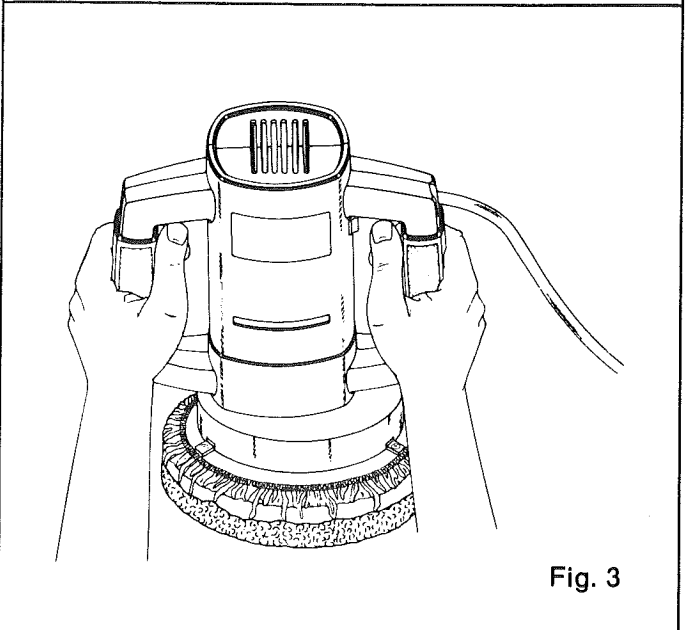


Fig. 3

Rotate the Buffer-Polisher as shown in Fig. 4. Then cover the same area again moving the Buffer-Polisher as shown in Fig. 5. Repeat this until you have completed applying wax to the entire surface. When applying wax to areas where only partial use of the polishing bonnet is possible, some excess wax will be thrown from the bonnet. See Fig. 6. **NEVER APPLY DOWNWARD PRESSURE ON YOUR BUFFER-POLISHER. LET THE WEIGHT OF THE TOOL DO THE WORK. APPLYING DOWNWARD PRESSURE ON YOUR BUFFER-POLISHER COULD RESULT IN MOTOR OVERHEATING CAUSING SERIOUS DAMAGE. NOTE: YOU ARE APPLYING DOWNWARD PRESSURE WHEN THE POLISHING HEAD DOES NOT ROTATE.**

While you are waiting for the wax to dry to a haze, apply wax to a clean cloth and apply by hand to those areas not reached by the Buffer-Polisher, such as around door handles, headlights, and antenna.

WARNING: ALWAYS WEAR SAFETY GLASSES OR EYE SHIELDS WHEN OPERATING YOUR BUFFER-POLISHER. IF THE OPERATING IS DUSTY, ALSO WEAR A FACE OR DUST MASK. FAILURE TO DO SO COULD RESULT IN DUST OR LOOSE PARTICLES BEING THROWN INTO YOUR EYES, RESULTING IN POSSIBLE SERIOUS INJURY.

REMOVING WAX

Remove the first polishing bonnet and place the second polishing bonnet on your Buffer-Polisher with the black side of the bonnet facing outward. See *Figure 7*. To remove the wax move the slide switch to the position marked "Hi" and follow the same pattern you used to apply the wax. As you remove the wax a fine dust will develop on the surface. After you have completed removing all the wax use a clean dry cloth to remove the dust. Use another clean dry cloth to remove the wax from the areas where you applied the wax by hand. **NOTE:** If you don't produce an immediate shine, or if the wax doesn't come off easily, either the wax hasn't dried completely, or you have applied too much wax. If the wax hasn't dried completely, wait a few minutes before removing it. If you have applied too much wax, work your Buffer-Polisher back and forth as shown in Fig. 7.

BUFFING

The buffing bonnet packed with your Buffer-Polisher can be used to produce a brighter finish. After you have removed the wax and the fine dust from the surface, place the buffing bonnet on your Buffer-Polisher with the lamb's wool facing outward. Place the Buffer-Polisher flat on the polished surface and move the slide switch to the position marked "Hi". Rotate the Buffer-Polisher in the same manner as when applying wax. **Note:** Do not apply downward pressure since applying downward pressure reduces the amount of rotation of the polishing head.

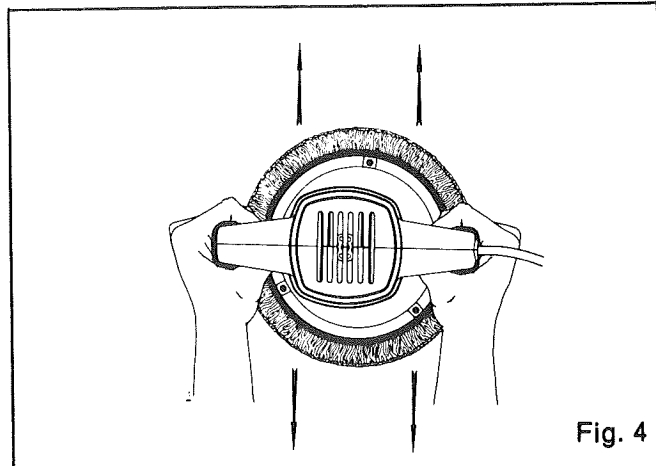


Fig. 4

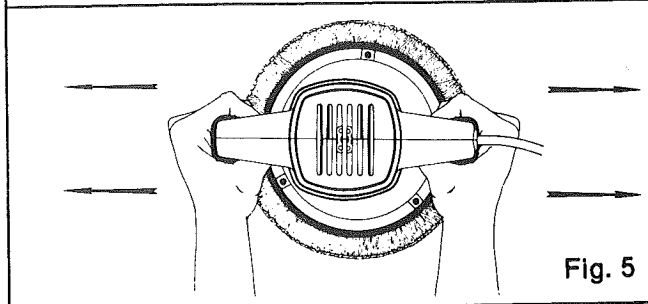


Fig. 5

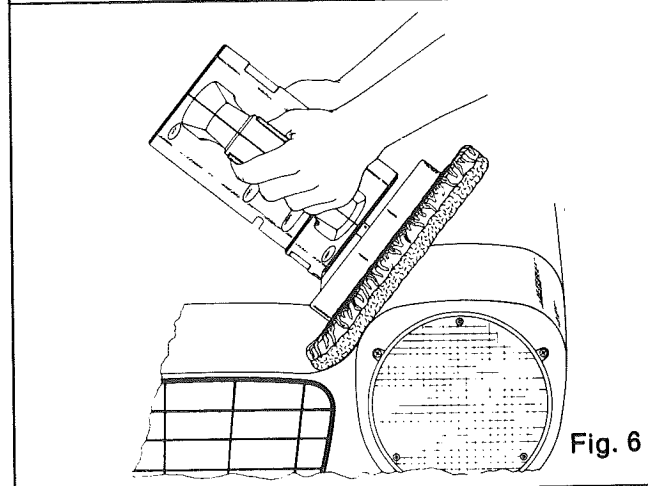


Fig. 6

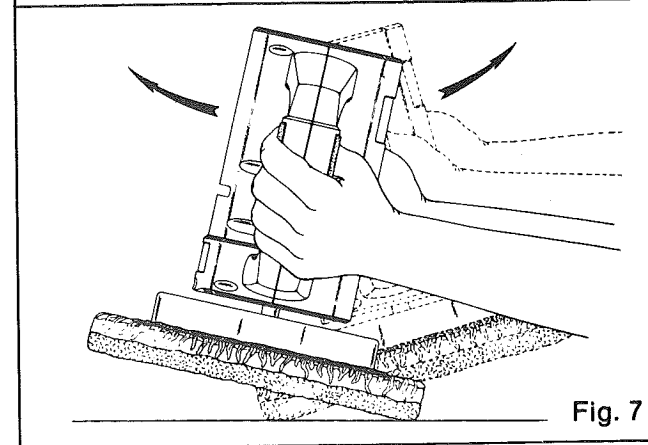


Fig. 7

HELPFUL HINTS

1. When working in direct sunlight it may be necessary to vary the technique to keep the wax from becoming too dry. Instead of applying wax to the entire surface, apply and remove wax by sections.
2. To avoid the possibility of burning or damaging the paint, do not use rubbing compounds with your Buffer-Polisher.
3. Always wash your bonnets after each use. Clean bonnets produce a better finish.
4. Never apply downward pressure. Applying pressure to your Buffer-Polisher will reduce the rotation of the polishing head. Allow your Buffer-Polisher to do the work for you.
5. Follow the same pattern when removing wax as when applying wax.

MAINTENANCE

When Servicing Use Only Identical Replacement Parts

GENERAL

Only the parts shown on parts list, page seven, are intended to be repaired or replaced by the customer. All other parts represent an important part of the double insulation system and should be serviced only by a qualified service technician.

Avoid using solvents when cleaning plastic parts. Most plastic parts are susceptible to various types of commercial solvents and may be damaged by their use. Use clean cloths to remove dirt, carbon dust, etc. **WARNING: DO NOT AT ANY TIME LET BRAKE FLUIDS, GASOLINE, PENETRATING OILS, ETC. COME IN CONTACT WITH PLASTIC PARTS. THEY CONTAIN CHEMICALS THAT CAN DAMAGE, WEAKEN, AND/OR DESTROY PLASTIC.**

When electric tools are used on fiberglass boats, sports cars, etc., it has been found that they are subject to accelerated wear and possible premature failure, as the fiberglass chips and grindings are highly abrasive to bearings, brushes, commutator, etc. Consequently it is not recommended that this tool be used for extended work on any fiberglass material. During any use on fiberglass it is extremely important that the tool is cleaned frequently by blowing with an air jet. **ALWAYS WEAR SAFETY GLASSES OR EYE SHIELDS BEFORE BEGINNING POWER TOOL OPERATION OR BLOWING DUST.**

EXTENSION CORDS

The use of any Extension Cord will cause some loss of power. To keep this to a minimum and to prevent overheating and motor burn-out, use the following table to determine the MINIMUM wire size (A.W.G.) Extension Cord.

Extension Cord Length

Up to 100 Ft.

Wire Size, A.W.G.

18

Extension Cords suitable for use with your buffer-polisher are available at your nearest Sears Catalog Order or Retail Store. WARNING: REPLACE DAMAGED CORD IMMEDIATELY. NEVER USE TOOL WITH DAMAGED CORD SINCE TOUCHING THE DAMAGED AREA COULD CAUSE ELECTRICAL SHOCK RESULTING IN SERIOUS INJURY.

LUBRICATION — All of the bearings in this tool are lubricated with a sufficient amount of high grade lubricant for life of the unit under normal operating conditions, therefore, no further lubrication is required.

THE FOLLOWING RECOMMENDED ACCESSORIES WERE AVAILABLE AT THE TIME THIS MANUAL WAS PRINTED.

Waxing Bonnet (9-10601)
Buffing Bonnet (9-10602)

Carrying Case (9-1471)

CAUTION: The use of attachments or accessories not listed above might be hazardous.

CRAFTSMAN BUFFER-POLISHER — MODEL NUMBER 315.10670

The Model Number will be found on a plate attached to the Motor Housing. Always mention the Model Number in all correspondence regarding your **BUFFER-POLISHER** or when ordering repair parts.

SEE BACK PAGE FOR PARTS ORDERING INSTRUCTIONS

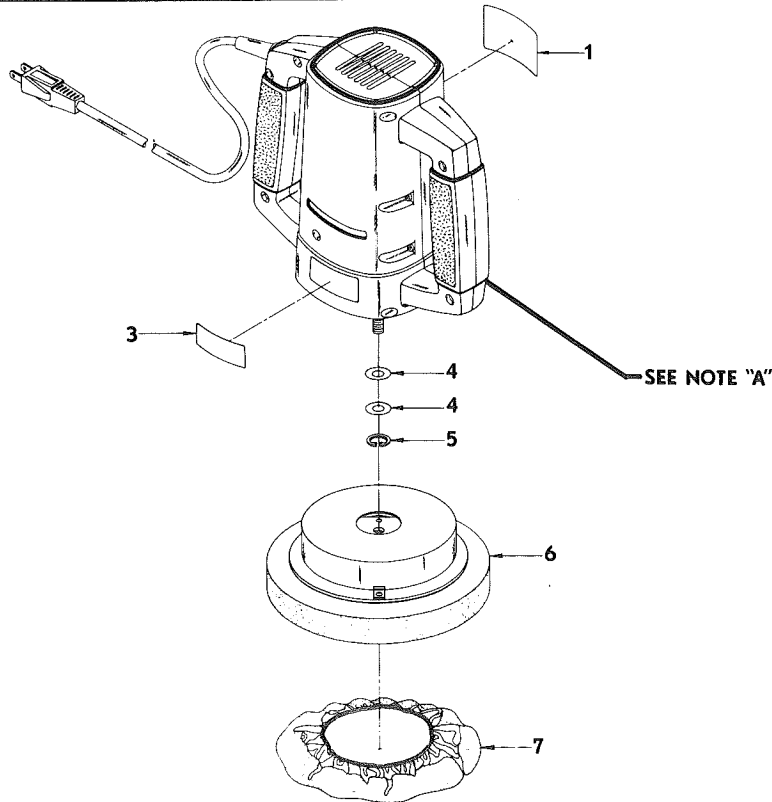
PARTS LIST

Key No.	Part Number	Description	Quantity
1	612362-001	Data Plate.....	1
3	612363-001	Logo Plate.....	1
4	706239-838	Washer.....	1
5	622167-059	Retaining Ring.....	1
6	989749-000	Polishing Head Assembly.....	1
7	612387-001	Waxing Bonnet (Cat. No. 9-10601).....	2
	612386-001	Buffing Bonnet (Not Illustrated) (Cat. No. 9-10602)...	1
	612547-109	Owner's Manual (Not Illustrated)	

NOTE: "A" — The assembly shown represents an important part of the Double Insulated System. To avoid the possibility of alteration or damage to the System, service should be performed by your nearest Sears Repair Center. Contact your nearest Catalog Order or Retail Store.

*Standard Hardware Item — May Be Purchased Locally

**Available From Div. 98 — Source 980.00



SEARS

OWNERS
MANUAL

SERVICE

MODEL NO.
315.10670

HOW TO ORDER
REPAIR PARTS

CRAFTSMAN[®]

TWO-SPEED ELECTRIC BUFFER-POLISHER

DOUBLE INSULATED

Now that you have purchased your Buffer-Polisher, should a need ever exist for repair parts or service, simply contact any Sears Service Center and most Sears, Roebuck and Co. Stores. Be sure to provide all pertinent facts when you call or visit.

The model number of your Buffer-Polisher will be found on the plate attached to the motor housing.

WHEN ORDERING REPAIR PARTS, ALWAYS GIVE THE FOLLOWING INFORMATION:

- | | |
|-----------------------------|-----------------------------------|
| ● PART NUMBER | ● PART DESCRIPTION |
| ● MODEL NUMBER
315.10670 | ● NAME OF ITEM
Buffer-Polisher |

All parts listed may be ordered from any Sears Service Center and most Sears stores.

If the parts you need are not stocked locally, your order will be electronically transmitted to a Sears Repair Parts Distribution Center for handling.