

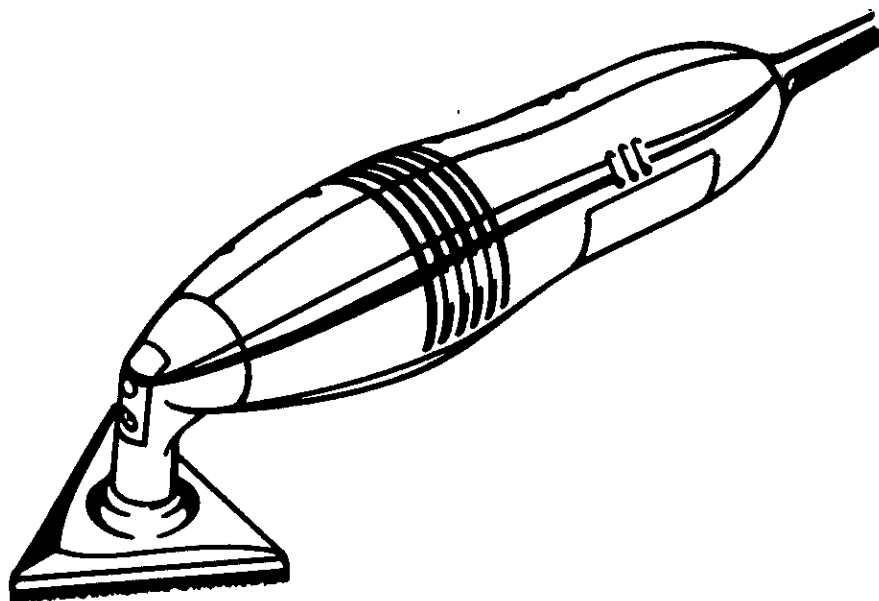
# Owner's Manual

# CRAFTSMAN®

## DETAIL SANDER

### Double Insulated

Model No.  
315.116301



Save this manual for  
future reference

**⚠ CAUTION:** Read and follow  
all Safety Rules and Operating  
Instructions before first use of  
this product.

Customer Help Line: 1-800-932-3188

Sears Roebuck and Co., Hoffman Estates, IL 60179 USA  
Visit the Craftsman web page: [www.sears.com/craftsman](http://www.sears.com/craftsman)

- Safety
- Features
- Operation
- Maintenance
- Parts List

972000-475  
11-98



NRTL

# TABLE OF CONTENTS

■ Table Of Contents .....	2
■ Rules for Safe Operation .....	2-4
■ Symbols .....	5
■ Product Specifications .....	5
■ Unpacking .....	5
■ Features .....	6
■ Operation .....	7-8
■ Maintenance .....	9
■ Optional Accessories .....	9
■ Warranty .....	10
■ Exploded View and Repair Parts List .....	11
■ Parts Ordering / Service .....	12

## RULES FOR SAFE OPERATION

**▲ WARNING: Read and understand all instructions.** Failure to follow all instructions listed below, may result in electric shock, fire and/or serious personal injury.

### SAVE THESE INSTRUCTIONS

#### Work Area

- **Keep your work area clean and well lit.** Cluttered benches and dark areas invite accidents.
- **Do not operate power tools in explosive atmospheres, such as in the presence of flammable liquids, gases, or dust.** Power tools create sparks which may ignite the dust or fumes.
- **Keep bystanders, children, and visitors away while operating a power tool.** Distractions can cause you to lose control.

#### Electrical Safety

- **Double insulated tools are equipped with a polarized plug (one blade is wider than the other.) This plug will fit in a polarized outlet only one way. If the plug does not fit fully in the outlet, reverse the plug. If it still does not fit, contact a qualified electrician to install a polarized outlet. Do not change the plug in any way.** Double insulation  eliminates the need for the three wire grounded power cord and grounded power supply system.
- **Avoid body contact with grounded surfaces such as pipes, radiators, ranges and refrigera-**

**tors.** There is an increased risk of electric shock if your body is grounded.

- **Don't expose power tools to rain or wet conditions.** Water entering a power tool will increase the risk of electric shock.
- **Do not abuse the cord. Never use the cord to carry the tools or pull the plug from an outlet. Keep cord away from heat, oil, sharp edges or moving parts. Replace damaged cords immediately.** Damaged cords increase the risk of electric shock.
- **When operating a power tool outside, use an outdoor extension cord marked "W-A" or "W".** These cords are rated for outdoor use and reduce the risk of electric shock.

#### Personal Safety

- **Stay alert, watch what you are doing and use common sense when operating a power tool. Do not use tool while tired or under the influence of drugs, alcohol, or medication.** A moment of inattention while operating power tools may result in serious personal injury.
- **Dress properly. Do not wear loose clothing or jewelry. Contain long hair. Keep your hair, clothing, and gloves away from moving parts.** Loose clothes, jewelry, or long hair can be caught in moving parts.
- **Avoid accidental starting. Be sure switch is off before plugging in.** Carrying tools with your

# RULES FOR SAFE OPERATION

finger on the switch or plugging in tools that have the switch on invites accidents.

- **Remove adjusting keys or wrenches before turning the tool on.** A wrench or a key that is left attached to a rotating part of the tool may result in personal injury.
- **Do not overreach. Keep proper footing and balance at all times.** Proper footing and balance enables better control of the tool in unexpected situations.
- **Use safety equipment. Always wear eye protection.** Dust mask, nonskid safety shoes, hard hat, or hearing protection must be used for appropriate conditions.

## Tool Use and Care

- **Use clamps or other practical way to secure and support the workpiece to a stable platform.** Holding the work by hand or against your body is unstable and may lead to loss of control.
- **Do not force tool. Use the correct tool for your application.** The correct tool will do the job better and safer at the rate for which it is designed.
- **Do not use tool if switch does not turn it on or off.** Any tool that cannot be controlled with the switch is dangerous and must be repaired.
- **Disconnect the plug from the power source before making any adjustments, changing accessories, or storing the tool.** Such preventive safety measures reduce risk of starting the tool accidentally.
- **Store idle tools out of reach of children and other untrained persons.** Tools are dangerous in the hands of untrained users.
- **Maintain tools with care. Keep cutting tools sharp and clean.** Properly maintained tools, with sharp cutting edges are less likely to bind and are easier to control.
- **Check for misalignment or binding of moving parts, breakage of parts, and any other condition that may affect the tools operation.** If damaged, have the tool serviced before using. Many accidents are caused by poorly maintained tools.
- **Use only accessories that are recommended by the manufacturer for your model.** Accessories that may be suitable for one tool, may become hazardous when used on another tool.

## Service

- **Tool service must be performed only by qualified repair personnel.** Service or maintenance performed by unqualified personnel could result in a risk of injury.
- **When servicing a tool, use only identical replacement parts. Follow instructions in Maintenance section of this manual.** Use of unauthorized parts or failure to follow Maintenance Instructions may create a risk of electric shock or injury.

## Specific Safety Rules for Sanders

- **Hold tool by insulated gripping surfaces when performing an operation where the tool may contact hidden wiring or its own cord.** Contact with a "live" wire will make exposed metal parts of the tool "live" and shock the operator.
- **Never use this or any power sander for wet sanding or liquid polishing.** Failure to comply can result in electrical shock causing serious injury or worse.
- **Keep hands away from sanding area.**

## Additional Rules for Safe Operation

- **Know your power tool.** Read operator's manual carefully. Learn its applications and limitations as well as the specific potential hazards related to this tool.
- **Always wear safety glasses.** Everyday eye-glasses have only impact-resistant lenses; they are not safety glasses.
- **Protect your lungs.** Wear a face or dust mask if the operation is dusty.
- **Protect your hearing.** Wear hearing protection during extended periods of operation.
- **Don't abuse cord.** Never carry tool by cord or yank it to disconnect from receptacle. Keep cord from heat, oil, and sharp edges.
- **MAKE SURE YOUR EXTENSION CORD IS IN GOOD CONDITION.** When using an extension cord, be sure to use one heavy enough to carry the current your product will draw. An undersized cord will cause a drop in line voltage resulting in loss of power and overheating. A wire gage size (A.W.G.) of at least 16 is recommended for an extension cord 100 feet or less in length. A cord exceeding 100 feet is not recommended. If in doubt, use the next heavier gage. The smaller the gage number, the heavier the cord.



## RULES FOR SAFE OPERATION

- **Inspect tool cords periodically** and if damaged, have repaired at your nearest **Factory Service Center** or other **Authorized Service Organization**. Stay constantly aware of cord location.
- **Check damaged parts.** Before further use of the tool, a guard or other part that is damaged should be carefully checked to determine that it will operate properly and perform its intended function. Check for alignment of moving parts, binding of moving parts, breakage of parts, mounting and any other conditions that may affect its operation. A guard or other part that is damaged should be properly repaired or replaced by an authorized service center.
- **Inspect for** and remove all nails from lumber before sanding.
- **Drugs, Alcohol, Medication.** Do not operate tool while under the influence of drugs, alcohol, or any medication.
- **Save These Instructions.** Refer to them frequently and use them to instruct others who may use this tool. If you loan someone this tool, loan them these instructions also.

**SAVE THESE INSTRUCTIONS**

# SYMBOLS

**Important: Some of the following symbols may be used on your tool. Please study them and learn their meaning. Proper interpretation of these symbols will allow you to operate the tool better and safer.**

SYMBOL	NAME	DESIGNATION/EXPLANATION
V	Volts	Voltage
A	Amperes	Current
Hz	Hertz	Frequency (cycles per second)
W	Watt	Power
min	Minutes	Time
~	Alternating Current	Type or a characteristic of current
$n_0$	No Load Speed	Rotational speed, at no load
	Class II Construction	Designates Double Insulated Construction tools
.../min	Revolutions or Reciprocation Per Minute	Revolutions, strokes, surface speed, orbits etc. per minute
	Safety Alert Symbol	Indicates danger, warning or caution. It means attention!!! Your safety is involved.

## DEFINITIONS

- A) **DANGER:** Failure to obey a safety warning will result in serious injury to yourself or to others. Always follow the safety precautions to reduce the risk of fire, electric shock and personal injury.
- B) **WARNING:** Failure to obey a safety warning can result in serious injury to yourself or to others. Always follow the safety precautions to reduce the risk of fire, electric shock and personal injury.
- C) **CAUTION:** Failure to obey a safety warning may result in property damage or personal injury to yourself or to others. Always follow the safety precautions to reduce the risk of fire, electric shock and personal injury.
- D) **NOTE:** Advises you of information or instructions vital to the operation or maintenance of the equipment.

# FEATURES

Your sander is suitable for sanding with coarse, medium, and fine grit sandpaper. It will produce a fine scratch free finish when used to sand with the grain on wood surfaces. By purchasing optional accessories, it can also be used as a polisher or scraper.

**Before attempting to use your sander, familiarize yourself with all operating features and safety requirements.**

## DOUBLE INSULATION

Double insulation is a concept in safety, in electric power tools, which eliminates the need for the usual three-wire grounded power cord. All exposed metal parts are isolated from the internal metal motor components with protecting insulation. Double insulated tools do not need to be grounded.

## IMPORTANT

Servicing of a tool with double insulation requires extreme care and knowledge of the system and should be performed only by a qualified service technician. For service we suggest you return the tool to your nearest **Sears Store** for repair. Always use original factory replacement parts when servicing.

## OSCILLATING MOTION

## ELECTRICAL CONNECTION

Your sander has a precision built electric motor. It should be connected to a power supply that is **120 volts, 60 Hz, AC only (normal household current)**. Do not operate this tool on direct current (DC). A substantial voltage drop will cause a loss of power and the motor will overheat. If your tool does not operate when plugged into an outlet, double-check the power supply.

**WARNING:** The double insulated system is intended to protect the user from shock resulting from a break in the tool's internal wiring. Observe all normal safety precautions related to avoiding electrical shock.

The oscillating motion sands 2.0 mm arcs, providing fast cutting action with excellent sanding results. As the name implies, this tool has been designed primarily for detailed and intricate sanding. For example, refinishing furniture, chairs, etc., enabling you to sand in places that are hard to get to.

## SWITCH

This tool is equipped with a simple switch control. To turn your sander **ON**, depress the switch button as shown in Figure 1. Depress the switch button in the opposite direction to turn your sander **OFF**.

## PRODUCT SPECIFICATIONS

Sanding pad .....	Triangle shaped
No load speed .....	12,000 spm
Motion .....	Oscillating
Rating .....	120 volts, 60 Hz, AC
Input .....	.30 amperes
Paper type .....	Pressure sensitive adhesive backed
Arc size .....	2.0 mm at tip

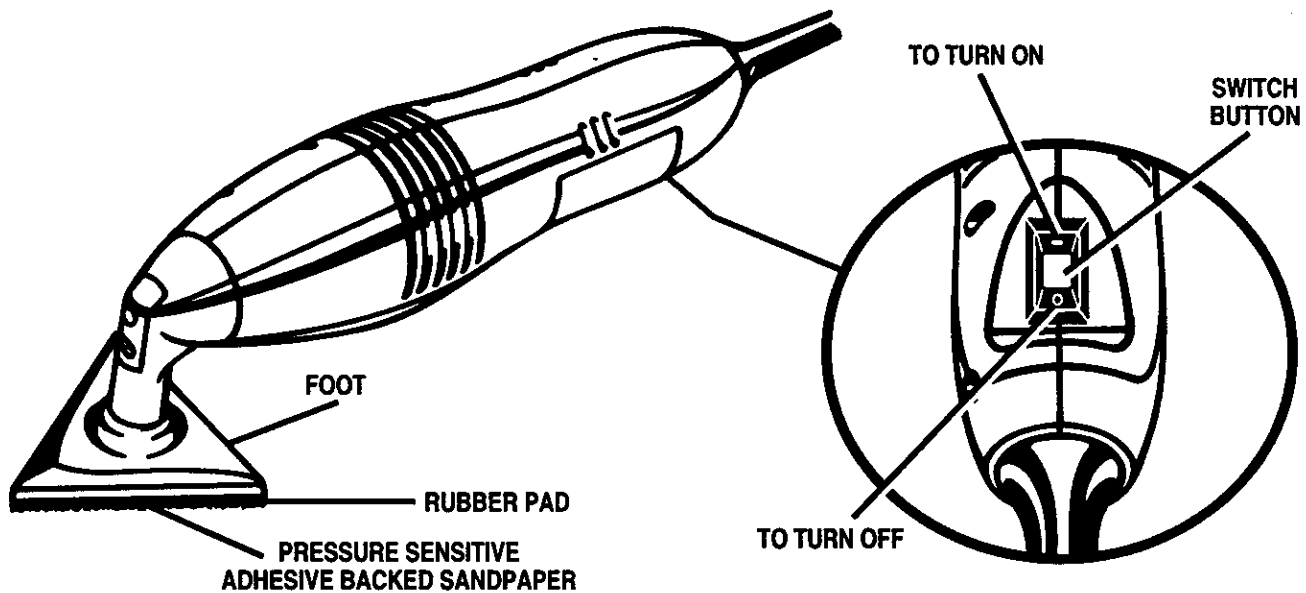


Fig. 1

## OPERATION

Your detail sander has been shipped completely assembled. Inspect it carefully to make sure no breakage or damage has occurred during shipping. If any parts are damaged or missing, contact your nearest Sears Retail Store to obtain replacement parts before attempting to operate sander.

**WARNING:** If any parts are missing, do not operate this tool until the missing parts are replaced. Failure to do so could result in possible serious personal injury.

**WARNING:** Your sander should never be connected to power supply when you are assembling parts, making adjustments, assembling or replacing sandpaper, cleaning, or when not in use. Disconnecting your sander will prevent accidental starting that could cause serious personal injury.

### APPLICATIONS

(Use only for the purposes listed below)

- Sanding on wood surfaces.
- Removing rust from and sanding steel surfaces.
- Polishing and buffing.
- Scraping paint or glue from window panes.

### INSTALLING SANDPAPER

See Figure 2.

The rubber pad on your sander accepts pressure sensitive adhesive backed sandpaper. Precut triangle shaped sandpaper in assorted grits are available from your nearest Sears Retail Store.

- Unplug your sander.

**WARNING:** Failure to unplug your sander could result in accidental starting causing possible serious personal injury.

- If installing sandpaper for the first time, proceed as follows. If replacing sandpaper, remove old sandpaper by peeling it off rubber pad, then proceed as follows.
- Carefully peel paper backing from new sandpaper.
- Position sandpaper into place, then carefully press sticky side of sandpaper on rubber pad.

**WARNING:** Before connecting your sander to power supply source, always check to be sure switch is not in **ON** position. Failure to do so could result in accidental starting of your sander resulting in possible serious injury.

**WARNING:** Never use your detail sander for wet sanding or liquid polishing. Failure to comply can result in electrical shock causing serious injury or worse.

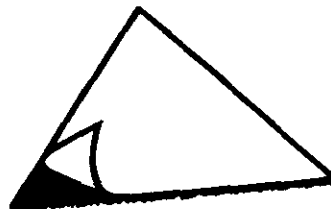
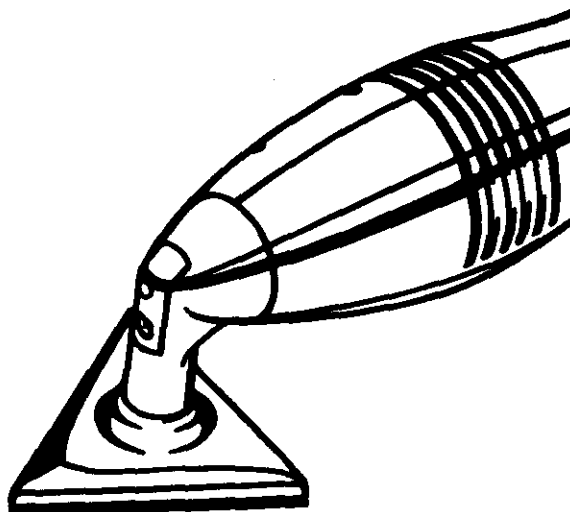


Fig. 2

**WARNING:** Do not allow familiarity with your sander to make you careless. Remember that a careless fraction of a second is sufficient to inflict severe injury.

**WARNING:**



The operation of any sander can result in foreign objects being thrown into your eyes, which can result in severe eye damage. Before beginning power tool operation, always wear safety goggles or safety glasses with side shields and a full face shield when needed. We recommend Wide Vision Safety Mask for use over eyeglasses or standard safety glasses with side shields, available at Sears Retail Stores.

## PREPARING FOR OPERATION

**⚠ CAUTION:** Be careful not to let your hand cover the air vents.

## TO OPERATE

When applicable, clamp or otherwise secure the work to prevent it from moving under your sander.

**⚠ WARNING:** Unsecured work could be thrown towards the operator causing injury.

## SANDING

See Figures 3 and 4.

Hold sander in front and away from you, keeping it clear of the workpiece. Start sander and let the motor build to its maximum speed, then gradually lower on the work with a slight forward movement. Move it slowly over workpiece using forward and backward or side to side strokes. Upon completion of sanding operation, always remove sander from workpiece before turning it off.

**Do not force.** The weight of the unit supplies adequate pressure, so let the sandpaper and sander do the work. Applying additional pressure only slows the motor, rapidly wears sandpaper and greatly reduces sander speed. Excessive pressure will overload the motor causing possible damage from motor overheating and can result in inferior work. Any finish or resin on wood may soften from the frictional heat. Do not allow sanding on one spot too long as sander's rapid action may remove too much material, making the surface uneven.

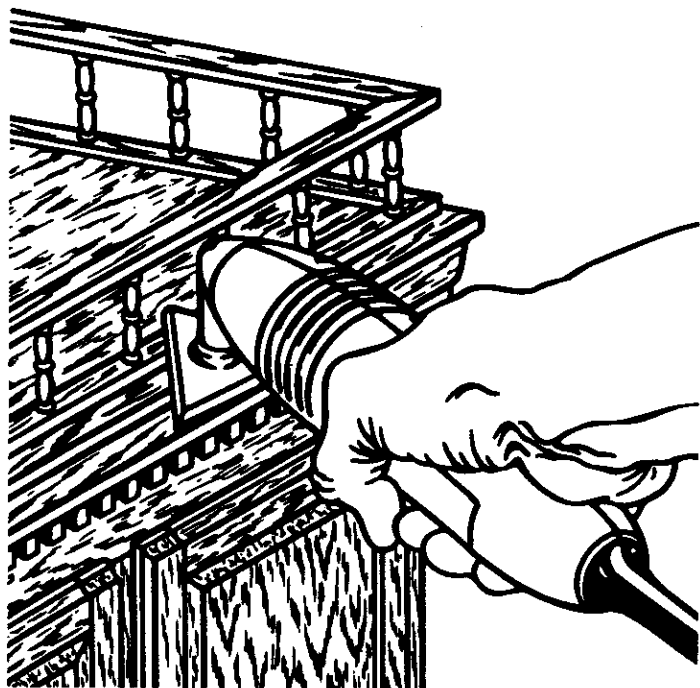


Fig. 3

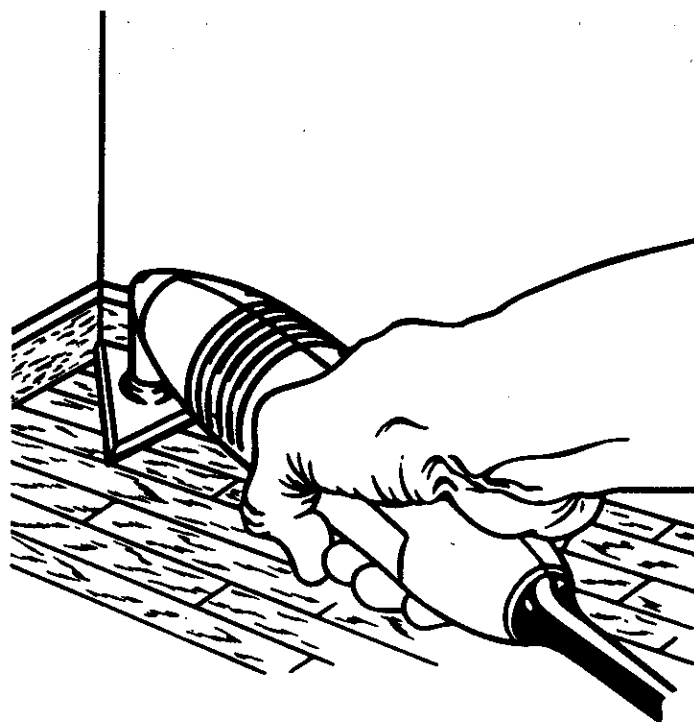


Fig. 4

## SANDPAPER SELECTION

Selecting the correct size grit and type sandpaper is an extremely important step in achieving a high quality sanded finish. Aluminum oxide, silicon carbide, and other synthetic abrasives are best for power sanding. Natural abrasives, such as flint and garnet are too soft for economical use in power sanding.

In general, coarse grit will remove the most material and finer grit will produce the best finish in all sanding operations. The condition of the surface to be sanded will determine which grit will do the job. If the surface is rough, start with a coarse grit and sand until the surface is uniform. Medium grit may then be used to remove scratches left by the coarser grit and finer grit used for finishing of the surface. Always continue sanding with each grit until surface is uniform.

**⚠ WARNING:** Do not wear loose clothing or jewelry when operating sander. They could get caught in moving parts causing serious injury. Keep head away from sander and sanding area. Hair could be drawn into sander causing serious injury.

## LUBRICATION

All of the bearings in this tool are lubricated with a sufficient amount of high grade lubricant for the life of the unit under normal operating conditions. Therefore, no further lubrication is required.



## MAINTENANCE

**⚠ WARNING:** When servicing use only identical Craftsman replacement parts. Use of any other parts may create a hazard or cause product damage.

### GENERAL

Only the parts shown on parts list, page eleven, are intended to be repaired or replaced by the customer. All other parts represent an important part of the double insulation system and should be serviced only by a qualified Sears service technician.

Avoid using solvents when cleaning plastic parts. Most plastics are susceptible to various types of commercial solvents and may be damaged by their use. Use clean cloths to remove dirt, carbon dust, etc.

**⚠ WARNING:** Do not at any time let brake fluids, gasoline, petroleum-based products, penetrating oils, etc. come in contact with plastic parts. They contain chemicals that can damage, weaken, or destroy plastic.

When electric tools are used on fiberglass boats, sports cars, wallboard, spackling compounds, or plaster, it has been found that they are subject to accelerated wear and possible premature failure, as the fiberglass chips and grindings are highly abrasive to bearings, brushes, commutators, etc. Consequently it is not recommended that this tool be used for extended work on any fiberglass material, wallboard, spackling compounds, or plaster. During any use on these materials, it is extremely important that the tool is cleaned frequently by blowing with an air jet.

### EXTENSION CORDS

The use of any extension cord will cause some loss of power. To keep the loss to a minimum and to prevent tool overheating, use an extension cord that is heavy enough to carry the current the tool will draw.

A wire gage size (A.W.G.) of at least 16 is recommended for an extension cord 100 feet or less in length. When working outdoors, use an extension cord that is suitable for outdoor use. The cord's jacket will be marked **WA**.

**⚠ CAUTION:** Keep extension cords away from any sanding area and position the cord so that it will not get caught on lumber, tools, etc., during sanding operation.

**⚠ WARNING:** Check extension cords before each use. If damaged replace immediately. Never use tool with a damaged cord since touching the damaged area could cause electrical shock resulting in serious injury.

**⚠ WARNING:** Always wear safety goggles, or safety glasses with side shields during power tool operation or when blowing dust. If operation is dusty, also wear a dust mask.

## OPTIONAL ACCESSORIES

The following recommended accessories are currently available at Sears Retail Stores:

### OPTIONAL SCRAPER ASSEMBLY

The optional scraper assembly is available to fit to the front of your detail sander. This allows for easy removal of paint from window panes and frames. It is also ideal for removal of built up glue or paint.

■ Power Sanding Triangles - 3 Each - Fine, Medium, Coarse

- 100 Grit Cloth Backed ..... Package of 10
- 150 Grit Cloth Backed ..... Package of 10
- 220 Grit Cloth Backed ..... Package of 10
- Assorted Pack ..... Package of 10

**⚠ WARNING:** The use of attachments not listed above might be hazardous and must not be used.

**WARRANTY**

**FULL ONE YEAR WARRANTY ON CRAFTSMAN DETAIL SANDER**

If this **CRAFTSMAN** Detail Sander fails to give complete satisfaction within one year from the date of purchase, **RETURN IT TO THE NEAREST SEARS STORE IN THE UNITED STATES**, and Sears will replace it, free of charge.

If this **CRAFTSMAN** Detail Sander is used for commercial or rental purposes, this warranty applies for only 90 days from the date of purchase.

This warranty gives you specific legal rights, and you may also have other rights which vary from state to state.

**Sears, Roebuck and Co., Dept. 817WA, Hoffman Estates, IL 60179**

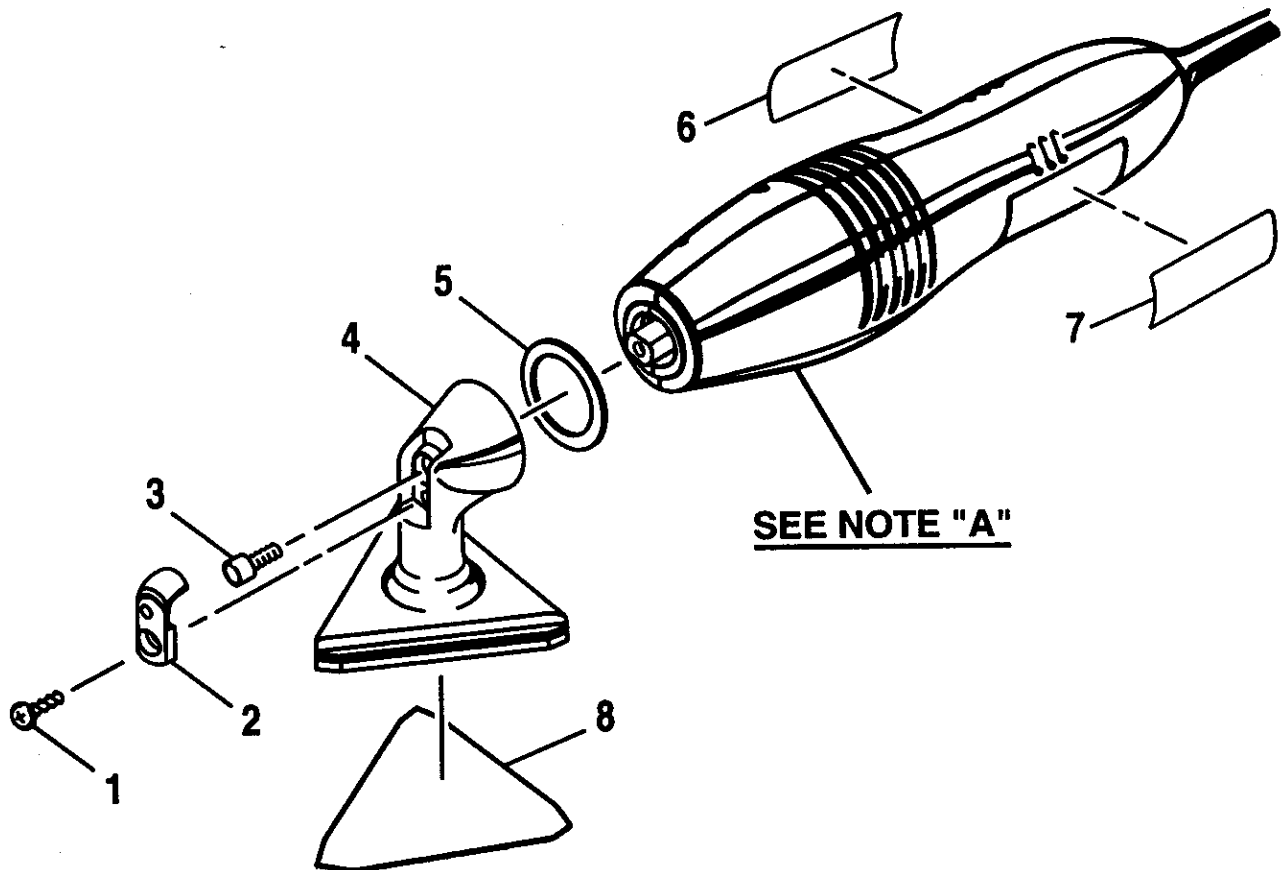
**NOTES**

A series of 15 horizontal lines provided for handwritten notes.

# CRAFTSMAN DETAIL SANDER – MODEL NO. 315.116301

The model number will be found on a plate attached to the motor housing. Always mention the model number in all correspondence regarding your **DETAIL SANDER** or when ordering repair parts.

## SEE BACK PAGE FOR PARTS ORDERING INSTRUCTIONS



### PARTS LIST

Key No.	Part Number	Description	Quan.
1	967273-001	* Screw (#4-24 x 3/8 in. Pan Hd.) .....	1
2	971646-001	Foot Cover .....	1
3	612284-003	* Cap Screw (#8-32 x 7/16 in. Hex Socket) .....	1
4	972055-001	Foot W/Pad.....	1
5	979860-001	Rubber Washer .....	1
6	975862-001	Data Plate .....	1
7	975868-001	Logo Plate .....	1
8	***	Sandpaper .....	1
	972000-475	Owner's Manual	

**NOTE: "A"**– The assembly shown represents an important part of the Double Insulated System. To avoid the possibility of alteration or damage to the system, service should be performed by your nearest Sears Repair Center. Contact your nearest Sears Retail Store for Service Center Information.

\* Standard Hardware Item – May Be Purchased Locally  
 \*\*\* Complete Assortment Available At Your Nearest Sears Retail Store

**For in-home major brand repair service:**

Call 24 hours a day, 7 days a week

**1-800-4-MY-HOME<sup>SM</sup>** (1-800-469-4663)

**Para pedir servicio de reparación a domicilio – 1-800-676-5811**

In Canada for all your service and parts needs call  
Au Canada pour tout le service ou les pièces – **1-800-665-4455**

**For the repair or replacement parts you need:**

Call 6 am – 11 pm CST, 7 days a week

**PartsDirect<sup>SM</sup>**

**1-800-366-PART** (1-800-366-7278)

**Para ordenar piezas con entrega a domicilio – 1-800-659-7084**

**For the location of a Sears Parts and Repair Center in your area:**

Call 24 hours a day, 7 days a week

**1-800-488-1222**

**For information on purchasing a Sears Maintenance Agreement  
or to inquire about an existing Agreement:**

Call 9 am – 5 pm, Monday – Saturday

**1-800-827-6655**



The Service Side of Sears