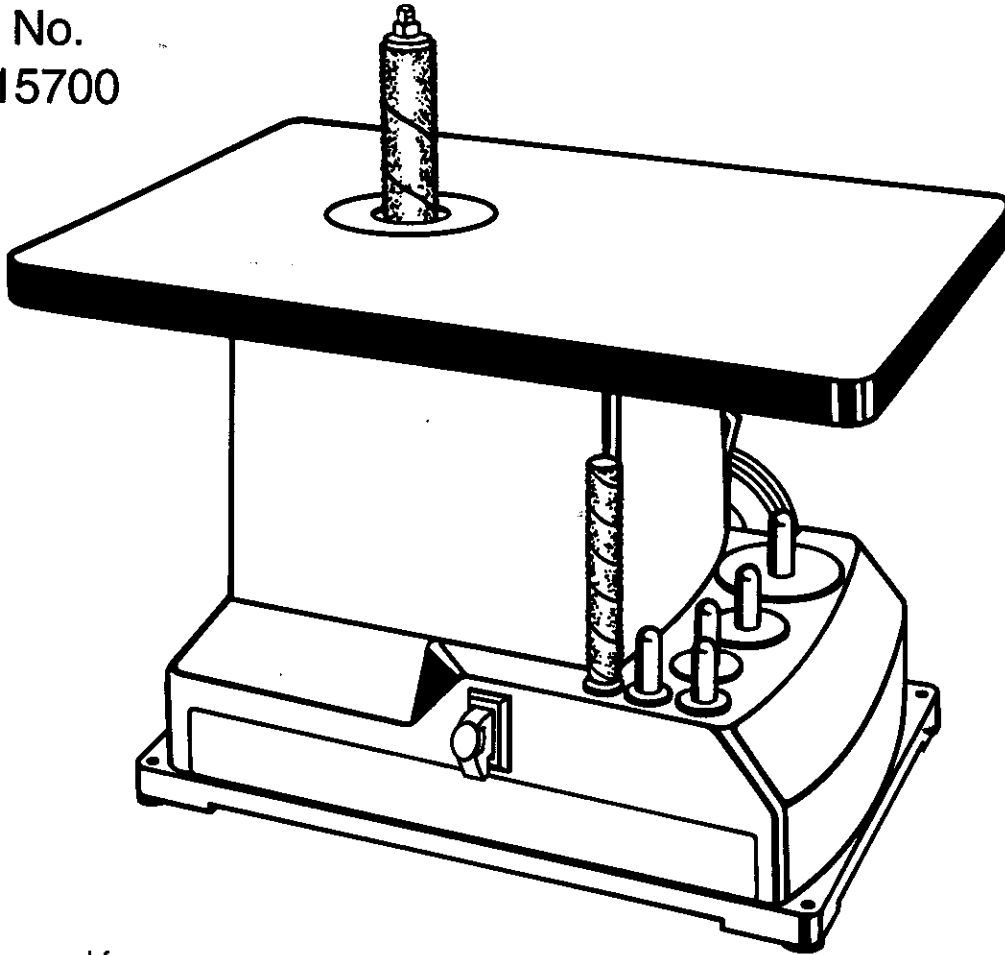


Owner's Manual

CRAFTSMAN®

OSCILLATING SANDER Double Insulated

Model No.
315.215700



Save this manual for
future reference

⚠ CAUTION: Read and follow
all Safety Rules and Operating
Instructions before first use of
this product.

Customer Help Line: 1-800-932-3188

Sears, Roebuck and Co., Hoffman Estates, IL 60179 USA
Visit the Craftsman web page: www.sears.com/craftsman

972000-481
10-00

- Safety
- Features
- Adjustments
- Operation
- Maintenance
- Parts List



TABLE OF CONTENTS

■ Table Of Contents	2
■ Warranty	2
■ Introduction	2
■ Rules For Safe Operation	3-5
■ Product Specifications	5
■ Labels	6
■ Accessories	7
■ Unpacking	8
■ Features	9-10
■ Adjustments	11-12
■ Operation	13-14
■ Maintenance	15
■ Exploded View and Repair Parts List	16-17
■ Parts Ordering / Service	18

WARRANTY

FULL ONE YEAR WARRANTY ON CRAFTSMAN OSCILLATING SANDER

If this **CRAFTSMAN** Oscillating Sander fails due to a defect in material or workmanship within one year from the date of purchase, Sears will repair it free of charge.

Contact a Sears Service Center for repair.

If this product is used for commercial or rental purposes, this warranty applies for only 90 days from the date of purchase.

This warranty gives you specific legal rights, and you may also have other rights which vary from state to state.

Sears, Roebuck and Co., Dept. 817WA, Hoffman Estates, IL 60179

INTRODUCTION

Your oscillating sander has many features for making operation more pleasant and enjoyable. Safety, performance and dependability have been given top priority in the design of this sander, making it easy to maintain and operate.



CAUTION: Carefully read through this entire owner's manual before using your new oscillating sander. Pay close attention to the Rules For Safe Operation, Warnings and Cautions. If you use your sander properly and only for what it is intended, you will enjoy years of safe, reliable service.



Look for this symbol to point out important safety precautions. It means attention!!!
Your safety is involved.

RULES FOR SAFE OPERATION

The purpose of safety symbols is to attract your attention to possible dangers. The safety symbols, and the explanations with them, deserve your careful attention and understanding. The safety warnings do not by themselves eliminate any danger. The instructions or warnings they give are not substitutes for proper accident prevention measures.

SYMBOL MEANING



SAFETY ALERT SYMBOL:

Indicates danger, warning, or caution. May be used in conjunction with other symbols or pictographs.



DANGER: Failure to obey a safety warning will result in serious injury to yourself or to others. Always follow the safety precautions to reduce the risk of fire, electric shock and personal injury.



WARNING: Failure to obey a safety warning can result in serious injury to yourself or to others. Always follow the safety precautions to reduce the risk of fire, electric shock and personal injury.



CAUTION: Failure to obey a safety warning may result in property damage or personal injury to yourself or to others. Always follow the safety precautions to reduce the risk of fire, electric shock and personal injury.

NOTE: Advises you of information or instructions vital to the operation or maintenance of the equipment.

DOUBLE INSULATION

Double insulation is a concept in safety, in electric power tools which eliminates the need for the usual three-wire grounded power cord. All exposed metal parts are isolated from internal metal motor components with protecting insulation. Double insulated tools do not need to be grounded.



WARNING: Do not attempt to operate this tool until you have read thoroughly and understand completely all instructions, safety rules, etc. contained in this manual. Failure to comply can result in accidents involving fire, electric shock, or serious personal injury. Save owner's manual and review frequently for continuing safe operation, and instructing others who may use this tool.

READ ALL INSTRUCTIONS

- **KNOW YOUR POWER TOOL.** Read owner's manual carefully. Learn its applications and limitations as well as the specific potential hazards related to this tool.
- **KEEP THROAT PLATES IN PLACE** and in working order.
- **REMOVE WRENCH.** Get in the habit of checking to see that wrench is removed from the spindle before turning sander on. Return wrench, upper spindle washer(s), and throat plates to storage area when not in use.

IMPORTANT

Servicing of a tool with double insulation requires extreme care and knowledge of the system and should be performed only by a qualified service technician. For service we suggest you return the tool to your nearest Sears Store for repair. Always use original factory replacement parts when servicing.

- **KEEP WORK AREA CLEAN.** Cluttered areas and benches invite accidents.
- **AVOID DANGEROUS ENVIRONMENTS.** Do not use power tools in damp or wet locations. Do not expose them to rain, water, or any wet conditions. Keep the work area well lit.
- **KEEP CHILDREN AND VISITORS AWAY.** All visitors should wear safety glasses and be kept at a safe distance from the work area. Do not let visitors contact tool or extension cord.
- **MAKE WORKSHOP CHILD-PROOF** with padlocks, master switches, or by removing starter keys.
- **DO NOT FORCE TOOL.** It will do the job better and safer at the rate for which it was designed.
- **USE THE RIGHT TOOL.** Do not force the tool or attachment to do a job for which it was not designed.
- **DRESS PROPERLY.** Do not wear loose clothing, gloves, neckties, rings, bracelets, or other jewelry that could get caught in moving parts. Nonslip

RULES FOR SAFE OPERATION (Continued)

- footwear is recommended. Wear protective hair covering to contain long hair.
- **ALWAYS WEAR SAFETY GLASSES WITH SIDE SHIELDS.** Everyday eyeglasses have only impact-resistant lenses; they are NOT safety glasses.
 - **PROTECT YOUR LUNGS.** Wear a face or dust mask.
 - **PROTECT YOUR HEARING.** Wear hearing protection during extended periods of operation.
 - **SECURE THE WORK.** Support work securely on the table and hold with both hands.
 - **DO NOT OVERREACH.** Keep proper footing and balance at all times.
 - **MAINTAIN TOOLS WITH CARE.** Keep tools maintained and clean for the best and safest performance. Follow instructions for cleaning, lubricating, and changing accessories.
 - **AFTER TURNING OFF POWER SWITCH, DISCONNECT TOOL** and wait for spindle to stop before servicing. Sander must be disconnected from the power when not in use or when changing accessories, sanding sleeves, rubber spindles, or other items listed in this Owner's Manual.
 - **TO REDUCE THE RISK OF ACCIDENTAL STARTING,** make sure the switch is in the OFF position before plugging in the tool.
 - **USE RECOMMENDED ACCESSORIES.** Refer to this owner's manual for recommended accessories. Using improper accessories may result in a risk of personal injury.
 - **NEVER STAND ON TOOL.** Serious injury could occur if the tool is tipped or if sanding sleeve is unintentionally contacted.
 - **CHECK DAMAGED PARTS.** Before the tool is used again, a guard or other part that is damaged should be carefully checked to determine that it will operate properly and perform its intended function. Check for alignment of moving parts, binding of moving parts, breakage of parts, mounting, and any other conditions that may affect operation. A guard or other part that is damaged should be properly repaired or replaced by an authorized service center.
 - **BE AWARE OF THE CORRECT DIRECTION OF FEED.** Feed workpiece into sanding sleeve against the direction of rotation of the sanding sleeve only.
 - **NEVER LEAVE TOOL RUNNING UNATTENDED. TURN OFF THE POWER.** Do not leave tool until it comes to a complete stop.
 - **DON'T ABUSE CORD.** Never yank cord to disconnect from receptacle. Keep cord from heat, oil, and sharp edges.
 - **MAKE SURE YOUR EXTENSION CORD IS IN GOOD CONDITION.** When using an extension cord, be sure to use one heavy enough to carry the current your product will draw. An undersized cord will cause a drop in line voltage resulting in loss of power and overheating. A wire gage size (A.W.G.) of at least 16 is recommended for an extension cord 100 feet or less in length. A cord exceeding 100 feet is not recommended. If in doubt, use the next heavier gage. The smaller the gage number, the heavier the cord.
 - **USE OUTDOOR EXTENSION CORDS.** When tool is used outdoors, use only extension cords intended for use outdoors and so marked. Outdoor approved cords are marked with the suffix W-A, for example — SJTW-A or SJOW-A.
 - **POLARIZED PLUGS.** To reduce the risk of electric shock, this tool has a polarized plug (one blade is wider than the other). This plug will fit in a polarized outlet only one way. If the plug does not fit fully in the outlet, reverse the plug. If it still does not fit, contact a qualified electrician to install the proper outlet. Do not change the plug in any way.
 - **KEEP HANDS AWAY FROM SANDING AREA.** Keep hands away from sanding sleeve. Do not reach underneath work or around sanding sleeve while spindle is rotating.
 - **NEVER USE IN AN EXPLOSIVE ATMOSPHERE.** Normal sparking of the motor could ignite fumes.
 - **KEEP TOOL DRY, CLEAN, AND FREE FROM OIL AND GREASE.** Always use a clean cloth when cleaning. Never use brake fluids, gasoline, petroleum-based products, or any solvents to clean tool.
 - **STAY ALERT AND EXERCISE CONTROL.** Watch what you are doing and use common sense. Do not operate tool when you are tired. Do not rush.
 - **DO NOT USE TOOL IF SWITCH DOES NOT TURN IT ON AND OFF.** Have defective switches replaced by an authorized service center.
 - **ALWAYS TURN OFF SANDER** before disconnecting it to avoid accidental starting.
 - **NEVER USE THIS OR ANY POWER SANDER FOR WET SANDING.** Failure to comply can result in electrical shock causing serious injury or worse.

RULES FOR SAFE OPERATION (Continued)

- **INSPECT FOR** and remove all nails from lumber before sanding.
- **DRUGS, ALCOHOL, MEDICATION.** Do not operate tool while under the influence of drugs, alcohol, or medication.
- **WHEN SERVICING USE ONLY IDENTICAL CRAFTSMAN REPLACEMENT PARTS.**
- **SAVE THESE INSTRUCTIONS.** Refer to them frequently and use to instruct other users. If you loan someone this tool, loan them these instructions also.

⚠ WARNING: Some dust created by power sanding, sawing, grinding, drilling, and other construction activities contains chemicals known to cause cancer, birth defects or other reproductive harm. Some examples of these chemicals are:

- lead from lead-based paints,
- crystalline silica from bricks and cement and other masonry products, and
- arsenic and chromium from chemically-treated lumber.

Your risk from these exposures varies, depending on how often you do this type of work. To reduce your exposure to these chemicals: work in a well ventilated area, and work with approved safety equipment, such as those dust masks that are specially designed to filter out microscopic particles.

⚠ WARNING:



The operation of any oscillating sander can result in foreign objects being thrown into your eyes, which can result in severe eye damage. Before beginning power tool operation, always wear safety goggles or safety glasses with side shields and a full face shield when needed. We recommend Wide Vision Safety Mask for use over eyeglasses or standard safety glasses with side shields, available at Sears Retail Stores.

SAVE THESE INSTRUCTIONS

PRODUCT SPECIFICATIONS

Oscillating Range	5/8 in.	Table Size	20 in. x 14 in.
Sanding Sleeve Capacity	1/2 in. - 3 in.	Spindle Size	1/2 in.
Sanding Sleeve Height	4-1/2 in.	Rating	120 volts, 60 Hz, AC only
Sanding Thickness	3-11/16 in.	Input	3-1/2 Amperes
No Load Speed	2000 RPM	Dust Collection Capacity	2-1/4 in. Outlet
Oscillations Per Minute	58 OPM	Net Weight	26 Lbs.
Toggle Switch w/Removable Key			

PRECAUTIONS TO TAKE WHEN SANDING PAINT

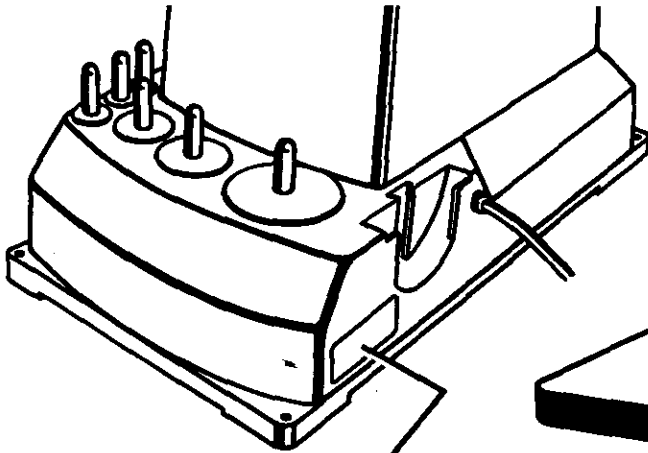
Sanding of lead based paint is **NOT RECOMMENDED**. It is very difficult to control the contaminated dust that could cause lead poisoning.


It is also difficult to identify whether or not a paint contains lead. Therefore, we recommend the following precautions when sanding all paints:

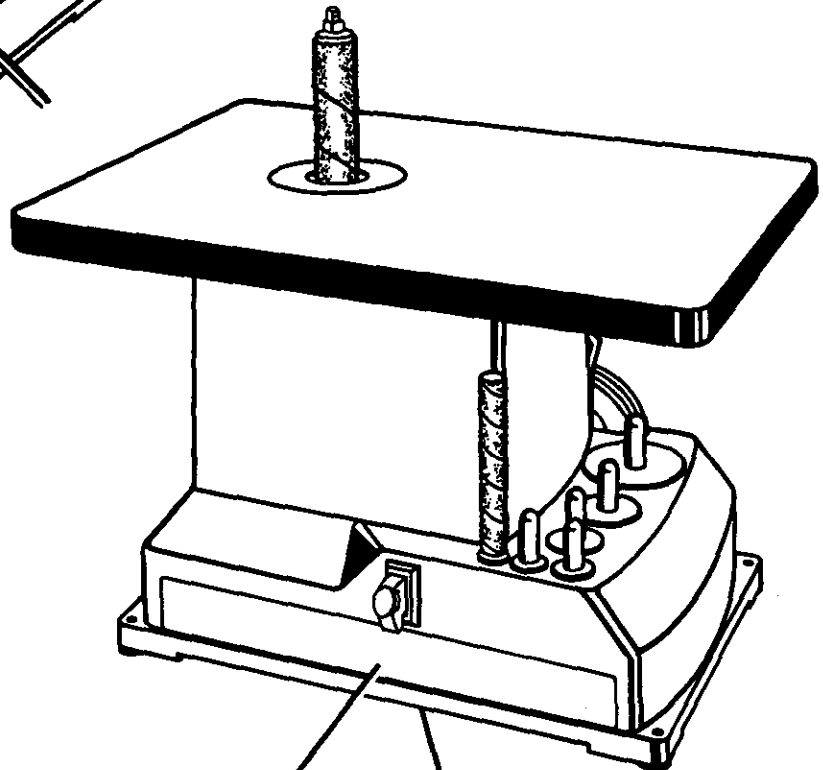
- **PROTECT YOUR LUNGS.** Wear a dust mask or respirator at all times. Wear only dust masks that are suitable for working in lead paint sanding environments. Ordinary painting masks do not offer this protection.
- **DO NOT ALLOW CHILDREN OR PREGNANT WOMEN TO ENTER THE WORK AREA UNTIL PAINT SANDING JOB IS FINISHED AND ALL CLEAN UP COMPLETED.**
- **TO PREVENT INGESTING CONTAMINATED PAINT PARTICLES, DO NOT EAT, DRINK, OR SMOKE IN A WORK AREA WHERE PAINT IS BEING SANDED.** After sanding paint, wash and clean up before eating, drinking, or smoking. Do not leave food, drinks, or tobacco products in the work area where dust can settle on them.
- **PROTECT THE ENVIRONMENT WHEN SANDING PAINT.** Use a dust collection system if possible. Seal the work area with plastic if necessary. **DO NOT** track paint dust outside the work area.
- **THOROUGHLY CLEAN THE WORK AREA UPON COMPLETION OF PAINT SANDING PROJECT.** If project lasts for an extended period of time, clean work area often. Items such as sanding dust, vacuum filter bags, plastic drop cloths, etc. should be placed in a sealed container and disposed of properly. Clean all items exposed to sanding dust.

LABELS

The following labels are on the oscillating sander with locations indicated.



Oscillating Sander
 Double Insulated 2000 RPM
 110-120 VOLTS AC ONLY 60 Hz 3.5 AMPS
 MODEL 315.215700
WARNING: USE ONLY IDENTICAL REPLACEMENT PARTS. SER. NO. _____
MADE IN U.S.A. LISTED TOOL A330 613227
 SEARS, ROEBUCK AND CO. 
Customer Help Line 1-800-932-3188



**⚠ WARNING
 ADVERTENCIA**

- Do not remove this cover; No serviceable parts inside.
- No sacar esta tapa: No hay ninguna pieza en el interior que pueda ser reparada por el usuario.

<p style="font-size: 24pt; font-weight: bold; margin: 0;">CRAFTSMAN</p> <p style="font-size: 18pt; font-weight: bold; margin: 0;">Oscillating Spindle Sander</p>	<p style="text-align: center; font-weight: bold; margin: 0;">⚠ WARNING / ADVERTENCIA</p> <ul style="list-style-type: none"> • For your own safety, read owner's manual before operating sander. • Wear eye protection. • Support workpiece on worktable. • Always use correct throat plate. • Hair, loose clothing, jewelry, etc. may get caught in rotating spindle. • Para su seguridad, lee el manual del usuario antes de usar la lijadora.
--	---

ACCESSORIES

The following recommended accessories are currently available at selected Sears Retail Stores.

SANDING SLEEVES

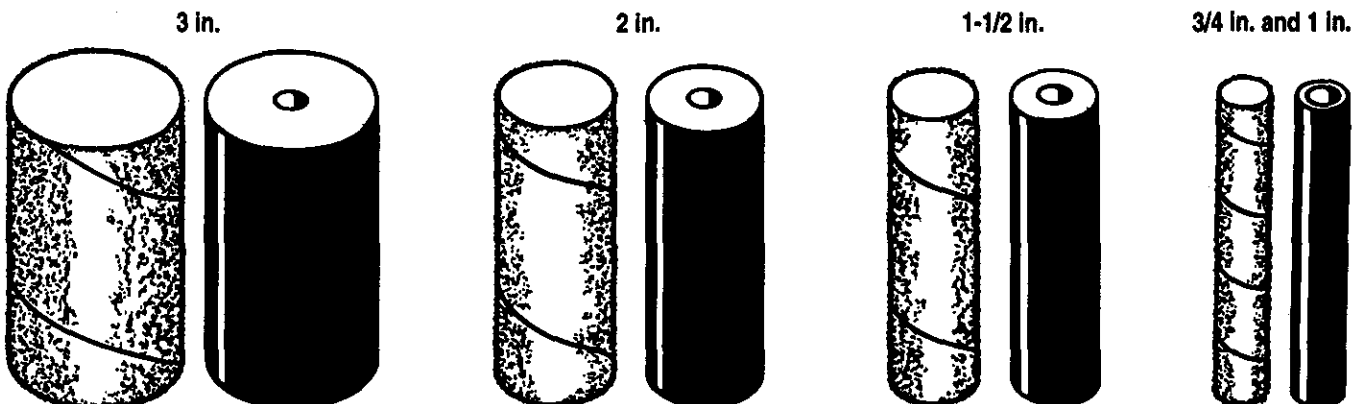
Item No.	Description	Quantity
28050	1/2 in. x 4-1/2 in. Sanding Sleeve 50 Grit Coarse	3 ea.
28051	1/2 in. x 4-1/2 in. Sanding Sleeve 80 Grit Medium	3 ea.
28052	1/2 in. x 4-1/2 in. Sanding Sleeve 150 Grit Fine	3 ea.
28053	3/4 in. x 4-1/2 in. Sanding Sleeve 50 Grit Coarse	3 ea.
28054	3/4 in. x 4-1/2 in. Sanding Sleeve 80 Grit Medium	3 ea.
28055	3/4 in. x 4-1/2 in. Sanding Sleeve 150 Grit Fine	3 ea.
28056	1 in. x 4-1/2 in. Sanding Sleeve 50 Grit Coarse	3 ea.
28057	1 in. x 4-1/2 in. Sanding Sleeve 80 Grit Medium	3 ea.
28058	1 in. x 4-1/2 in. Sanding Sleeve 150 Grit Fine	3 ea.
28059	1-1/2 in. x 4-1/2 in. Sanding Sleeve 50 Grit Coarse	2 ea.
28110	1-1/2 in. x 4-1/2 in. Sanding Sleeve 80 Grit Medium	2 ea.
28111	1-1/2 in. x 4-1/2 in. Sanding Sleeve 150 Grit Fine	2 ea.
28112	2 in. x 4-1/2 in. Sanding Sleeve 50 Grit Coarse	2 ea.
28113	2 in. x 4-1/2 in. Sanding Sleeve 80 Grit Medium	2 ea.
28114	2 in. x 4-1/2 in. Sanding Sleeve 150 Grit Fine	2 ea.
28115	3 in. x 4-1/2 in. Sanding Sleeve 50 Grit Coarse	1 ea.
28116	3 in. x 4-1/2 in. Sanding Sleeve 80 Grit Medium	1 ea.
28117	3 in. x 4-1/2 in. Sanding Sleeve 150 Grit Fine	1 ea.

RUBBER SPINDLES

28118	3/4 in. x 4-1/2 in. Rubber Spindle	1 ea.
28119	1 in. x 4-1/2 in. Rubber Spindle	1 ea.
28120	1-1/2 in. x 4-1/2 in. Rubber Spindle	1 ea.
28121	2 in. x 4-1/2 in. Rubber Spindle	1 ea.
28122	3 in. x 4-1/2 in. Rubber Spindle	1 ea.

⚠ WARNING: The use of attachments or accessories not listed might be hazardous.

OPTIONAL SANDING SLEEVES AND RUBBER SPINDLES



UNPACKING

Your oscillating sander has been shipped completely assembled and ready to use with a 1 in. rubber spindle and 80 grit sanding sleeve installed on the spindle. Inspect it carefully to make sure it is not damaged and that no parts are missing. See Figures 1 and 2.

This owner's manual and the following parts are included:

- 1/2 in. sanding sleeve (80 grit).
- Throat plates for five additional rubber spindle and sanding sleeve sizes.

⚠ WARNING: Failure to use the correct size throat plate with its matching sanding sleeve could result in fingers being pinched or the workpiece being pulled down between the throat plate and sanding sleeve.

- 1-13/16 in. upper spindle washer for use with 2 in. and 3 in. rubber spindles.
- A 9/16 in. wrench.
- Four rubber cushions. Install the four rubber cushions into the four holes in the bottom of cabinet.

If all parts have been included, proceed to operation. If any parts are missing, contact your nearest Sears Retail Store to obtain replacement parts before attempting to operate sander. Examine all parts to make sure no breakage has occurred during shipping. Any damaged part should be replaced before attempting to use.

⚠ WARNING: If any parts are missing, do not operate your sander until the missing parts are replaced. Failure to do so could result in possible serious personal injury.

LOOSE PARTS (PROVIDED WITH THIS SANDER)

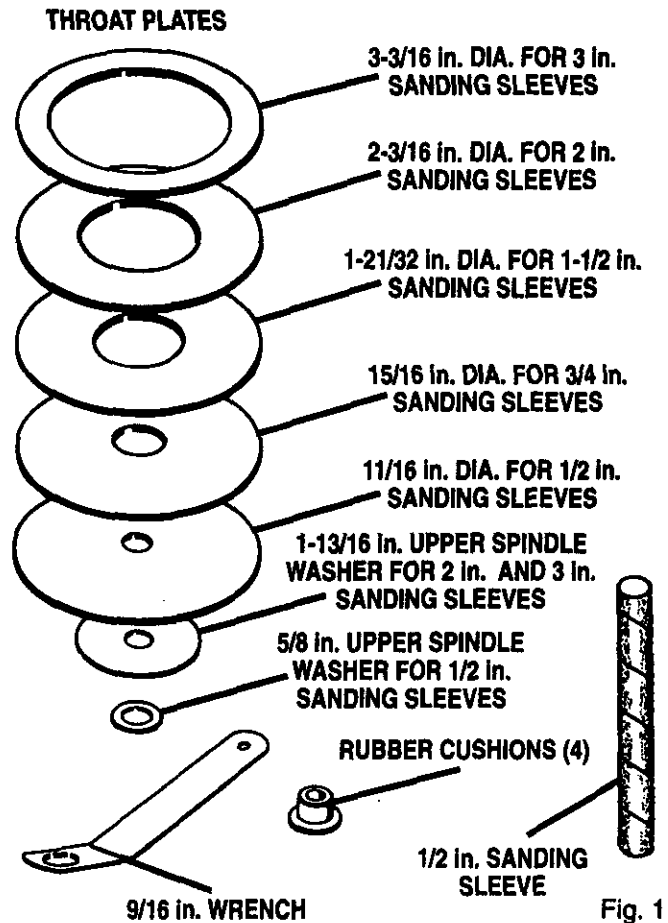


Fig. 1

215700 OSCILLATING SANDER

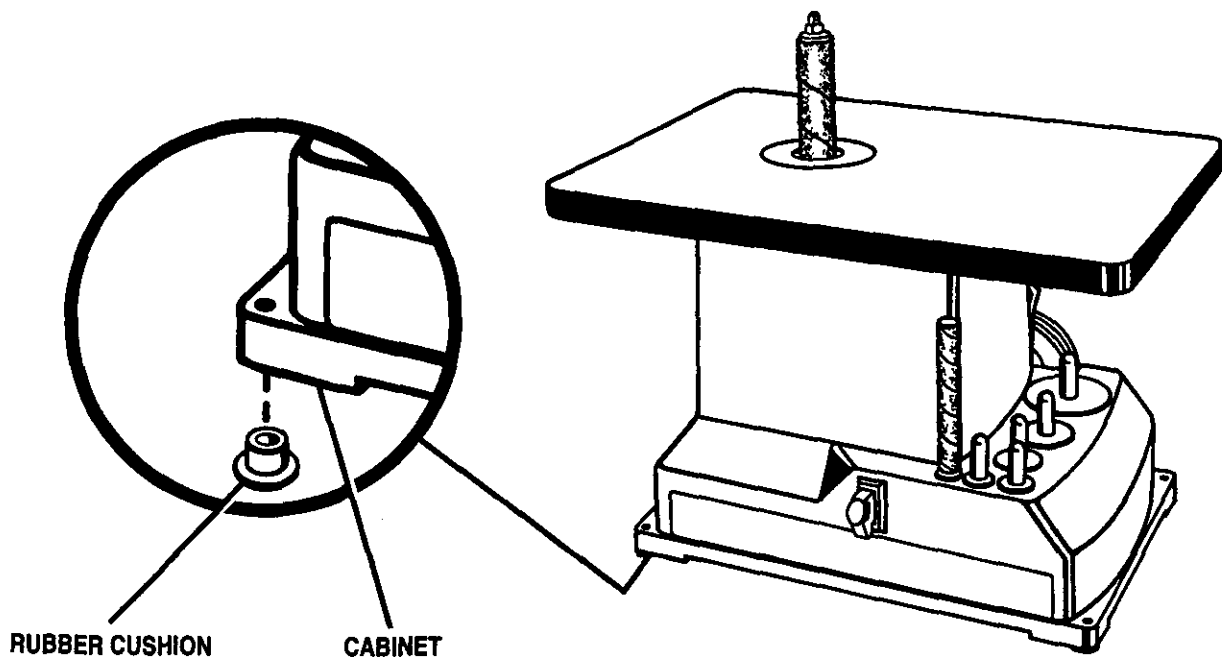


Fig. 2

FEATURES

Your oscillating sander has been designed for fast smooth sanding of curved and irregular shaped wood surfaces. When used properly and only for what it is intended, this versatile sander will give you years of trouble-free performance. It is professionally engineered, but its ease of operation allows the amateur to produce work which is beautiful and precise. It is suitable for sanding with coarse, medium, and fine grit sanding sleeves.

OSCILLATING MOTION

As the name implies, the most unique feature of this sander is the fact that it oscillates. This means that the spindle rises and falls as it rotates. The oscillating range for your sander is 5/8 in.

SANDING CAPACITIES

This sander accepts 1/2 in. thru 3 in. sanding sleeves that are 4-1/2 in. tall.

Note: Sanding sleeves are 4-1/2 in. tall, however you can only sand material up to 3-11/16 in. thick.

The 1/2 in. sanding sleeve fits directly on the 1/2 in. spindle and requires no rubber spindle. It is secured in place with a washer and hex nut on top of the spindle. All other sanding sleeves require a rubber spindle to secure them in place. These different size rubber spindles fit on the spindle and require a throat plate and sanding sleeve for each size. A washer and hex nut threaded on top of the spindle secures everything in place.

The rubber spindle expands against the inner wall of the sanding sleeve when the hex nut is tightened against the washer. A 9/16 in. wrench has been provided to tighten and loosen the hex nut.

3.5 AMP MOTOR

Your sander has a 3.5 amp motor with sufficient power to handle tough sanding jobs. It develops a no load speed of 2,000 rpm and 58 opm.

DUST COLLECTION CAPABILITY

A standard 2-1/4 in. dust exhaust port has been provided to make dustless sanding possible. See *Figure 3*. It is located under the table top on the left side of your sander. The pickup adapter end of a vacuum hose fits inside the dust exhaust port with a wedge fit type connection.

ACCEPTS OPTIONAL SIZES OF SANDING SLEEVES AND RUBBER SPINDLES

Optional sanding sleeves and rubber spindles available are shown on page 7. For a complete listing of accessories that are available, refer to page 7.


TABLE SIZE

The sanding table provides ample sanding space for most workpieces. The table top is 20 in. long x 14 in. wide.

ON/OFF SWITCH AND KEY

The **ON/OFF** switch has a built-in locking feature which requires a key to be inserted before the sander can be turned on. Pushing the toggle switch to **OFF** position and removing the key locks the sander against unintentional use. This feature is intended to prevent unauthorized and possible hazardous use by children and others.

 **CAUTION:** Removing the key does not lock the switch until the switch is in the **OFF** position.

 **WARNING:** Always lock the switch **OFF** when not in use. Remove key and keep in a safe place. In the event of power failure, turn the switch **OFF** and remove key. This will prevent sander from accidentally starting when power returns.

THROAT PLATE / WRENCH STORAGE AREA

Your sander has a throat plate and wrench storage area located on the backside of the cabinet. See *Figure 3*. Proper storage of throat plates and wrench when not in use will help reduce the possibility of their getting lost. You can also use this area for storing upper spindle washers behind throat plates.

SANDING SLEEVE AND RUBBER SPINDLE STORAGE AREA

Your sander has a sanding sleeve and rubber spindle storage area located on the right side of the cabinet. See *Figure 3*. When changing from one size sanding sleeve and rubber spindle to another, store unused ones on their designated pins. Proper storage of sanding sleeves and rubber spindles when not in use will help protect them from being damaged and from getting lost.

ELECTRICAL CONNECTION

Your sander has a precision built electric motor. It should be connected to a **power supply that is 120 volts, 60 Hz, AC only (normal household current)**. Do not operate this tool on direct current (DC). A substantial voltage drop will cause a loss of power and the motor will overheat. If your sander does not operate when plugged into an outlet, double-check the power supply.

FEATURES

KNOW YOUR OSCILLATING SANDER

Before attempting to use any tool, familiarize yourself with all operating features and safety requirements. See Figure 3.

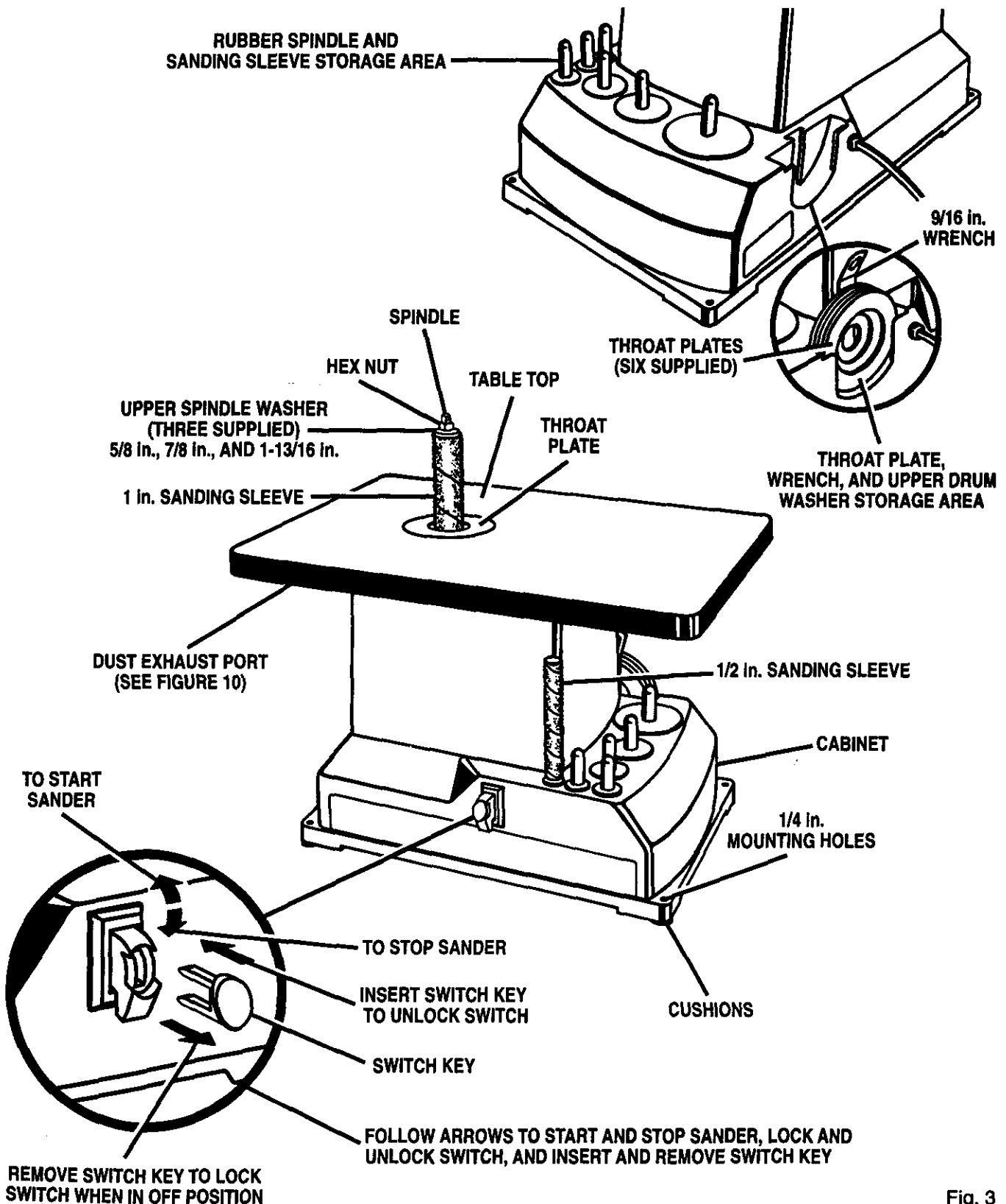


Fig. 3

⚠ WARNING: Do not allow familiarity with tools to make you careless. Remember that a careless fraction of a second is sufficient to inflict severe injury.

ADJUSTMENTS

⚠ WARNING: Your sander should never be connected to power supply when you are assembling parts; making adjustments; changing, installing, or removing sanding sleeves; changing, installing, or removing rubber spindles; changing, installing, or removing throat plates; or when not in use. Placing switch in **OFF** position, disconnecting sander, and removing switch key will prevent accidental starting that could cause serious injury.

As mentioned previously, your sander has been shipped completely assembled with a 1 in. sanding sleeve installed. The throat plate with a 1-3/16 in. opening has been used. When changing sanding sleeve sizes, change as follows:

TO CHANGE/INSTALL SANDING SLEEVES

All except 1/2 in.

See Figures 4 and 5.

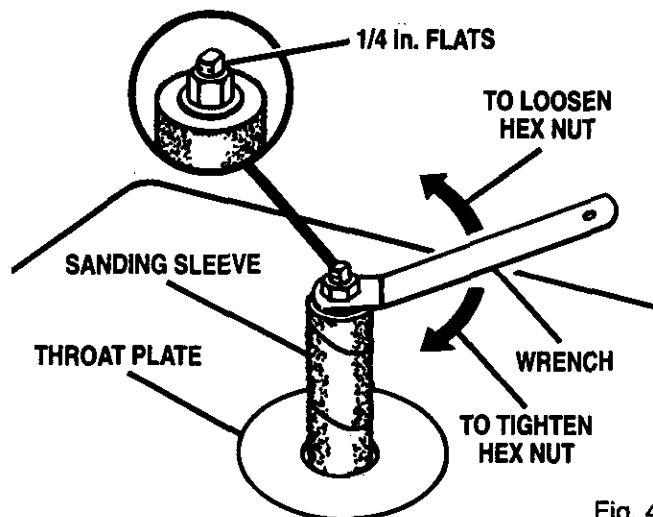


Fig. 4

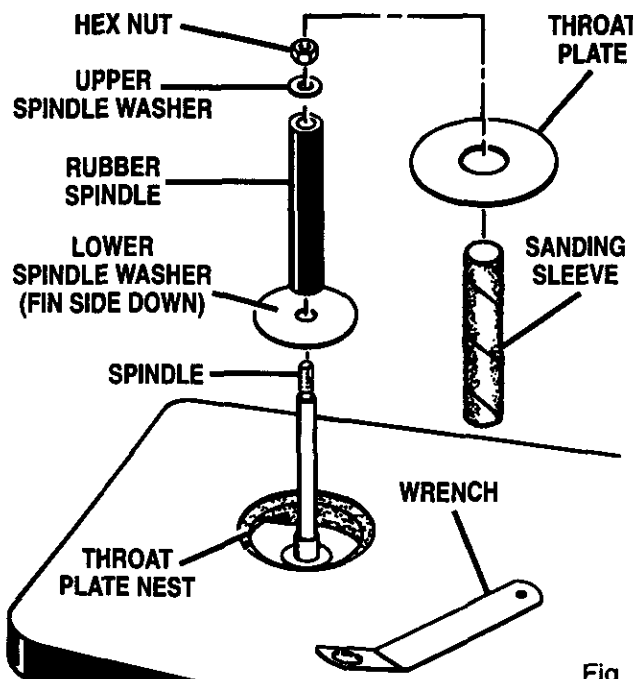


Fig. 5

■ Place switch in **OFF** position, remove switch key, and unplug your sander.

⚠ WARNING: Failure to unplug your sander could result in accidental starting, causing serious injury.

TO REMOVE:

■ Grasp and hold sanding sleeve on spindle and loosen hex nut using the 9/16 in. wrench provided. If hex nut is too tight and spindle shaft spins inside sanding sleeve, grasp the flats on top of spindle shaft with a 1/4 in. wrench (not provided) and loosen hex nut.

■ Remove hex nut, upper spindle washer, sanding sleeve, rubber spindle, and throat plate.

■ Remove lower spindle washer and clean sawdust accumulations:

Note: It is recommended that you clean sawdust accumulations from throat plate, throat plate nest and under lower spindle washer after each use.

TO INSTALL:

■ Replace lower spindle washer.

Note: Fin side of washer must always be installed down. The fins help push sawdust through the dust exhaust port opening, preventing buildup of sawdust. Sawdust buildup in this area may cause the oscillating motion to stop. Lower spindle washer must be used with **all** sanding sleeves.

■ Select and install the appropriate throat plate that provides the smallest clearance between desired sanding sleeve and throat plate opening.

■ Select and install desired rubber spindle on spindle.

■ Install appropriate sanding sleeve on rubber spindle.

Note: If sanding sleeve becomes difficult to install or remove, apply talcum powder on rubber spindle or inside sanding sleeve before installing on rubber spindle.

■ Install upper spindle washer and hex nut.

Note: The 7/8 in. washer should be used for 3/4 in., 1 in., and 1-1/2 in. rubber spindles. The 1-13/16 in. washer must be used for 2 in. and 3 in. rubber spindles.

■ Grasp and hold sanding sleeve and tighten hex nut, using the 9/16 in. wrench provided. Tighten hex nut only enough to expand rubber spindle against inner wall of sanding sleeve. **Do not overtighten.**

■ Remove wrench and return it to wrench storage area before connecting sander to a power supply.

ADJUSTMENTS

TO CHANGE/INSTALL 1/2 in. SANDING SLEEVES

See Figures 4 and 6.

- Place switch in OFF position, remove switch key, and unplug your sander.

WARNING: Failure to unplug your sander could result in accidental starting, causing serious injury.

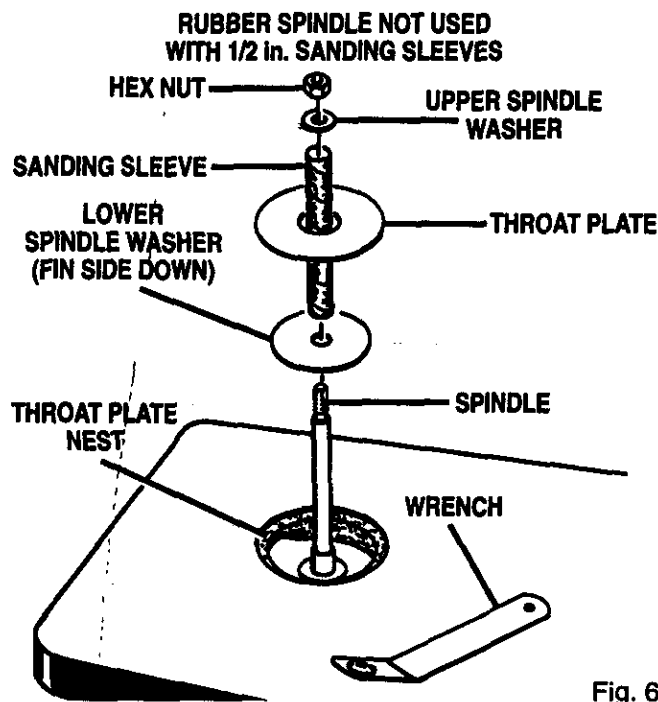


Fig. 6

TO REMOVE:

- Grasp and hold sanding sleeve on spindle and loosen hex nut using the 9/16 in. wrench provided. If hex nut is too tight and spindle shaft spins inside sanding sleeve, grasp the flats on top of spindle shaft with a 1/4 in. wrench (not provided) and loosen hex nut.
- Remove hex nut, upper spindle washer, sanding sleeve, rubber spindle, and throat plate.
- Remove lower spindle washer and clean sawdust accumulations.

Note: We recommend that you clean sawdust accumulations from throat plate, throat plate nest and under lower spindle washer after each use.

TO INSTALL:

- Replace lower spindle washer.

Sanding Sleeve Diameter	Throat Plate Opening Diameter	Upper Spindle Washer Size
1/2 in.	11/16 in.	5/8 in.
3/4 in.	15/16 in.	7/8 in.
1 in.	1-3/16 in.	7/8 in.
1-1/2 in.	1-21/32 in.	7/8 in.
2 in.	2-3/16 in.	1-13/16 in.
3 in.	3-3/16 in.	1-13/16 in.

Note: Fin side of washer must always be installed down. The fins help push sawdust through the dust exhaust port opening, preventing buildup of sawdust. Sawdust buildup in this area may cause oscillating motion to stop. Lower spindle washer must be used with all sanding sleeves.

- Install throat plate with the 11/16 in. throat plate opening.
- Install 1/2 in. sanding sleeve on spindle shaft.

Note: Sanding sleeve mounts directly onto spindle shaft for 1/2 in. sleeves. Rubber spindle is not required.

- Install upper spindle washer and hex nut.

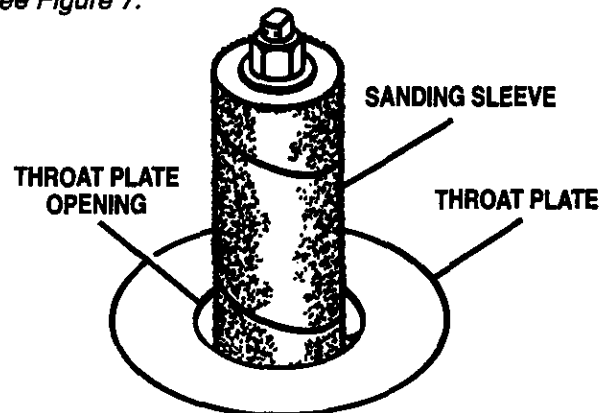
Note: The 5/8 in. washer should be used.

- Grasp and hold sanding sleeve and tighten hex nut, using the 9/16 in. wrench provided. Tighten hex nut securely. **Do not overtighten.**

- Remove wrench and return it to wrench storage area before connecting sander to a power supply source.

THROAT PLATE SELECTION

See Figure 7.



MAKE SANDING SLEEVE AND THROAT PLATE SELECTIONS THAT PROVIDE THE LEAST AMOUNT OF CLEARANCE BETWEEN THE SANDING SLEEVE AND THROAT PLATE OPENING.

Fig. 7

When changing sanding sleeves from one size to another, always use the throat plate that provides the least amount of clearance between sanding sleeve and throat plate opening. Six throat plates have been provided with this sander. The following chart identifies the diameter of sanding sleeve sizes and matching throat plate openings that should be used together. It also identifies upper spindle washer that should be used with each size.

OPERATION

APPLICATIONS

(Use only for the purposes listed below)

- Sanding on wood surfaces.
- Sanding plastics.

⚠ WARNING: Do not use this sander for sanding metals. Sanding metals will cause sparks that will ignite wood and dust particles on sander, in the dust collector, or in workshop.

SANDING SLEEVE SELECTION

Selecting the correct size diameter, correct size grit, and correct type sanding sleeve is an extremely important step in achieving a high quality sanded finish. Aluminum oxide, silicon carbide, and other synthetic abrasives are best for power sanding. Natural abrasives, such as flint and garnet are too soft for economical use in power sanding.

In general, coarse grit will remove the most material and finer grit will produce the best finish in all sanding operations. The condition of the surface to be sanded will determine which grit will do the job. If the surface is rough, start with a coarse grit and sand until the surface is uniform. Medium grit may then be used to remove scratches left by the coarser grit and finer grit used for finishing of the surface. Always continue sanding with each grit until surface is uniform.

Note: Do not use sander without a sanding sleeve. Doing so will damage the rubber spindle.

Select and install the desired sanding sleeve for your particular application. As mentioned previously, sanding sleeves from 1/2 in. to 3 in. can be used with this sander. Choose one that is close in size to the workpiece you are sanding. Also install the appropriate throat plate, with the least amount of clearance for the sanding sleeve you choose.

⚠ WARNING: Failure to use the correct size throat plate with its matching sanding sleeve could result in fingers being pinched or the workpiece being pulled down between the throat plate and sanding sleeve.

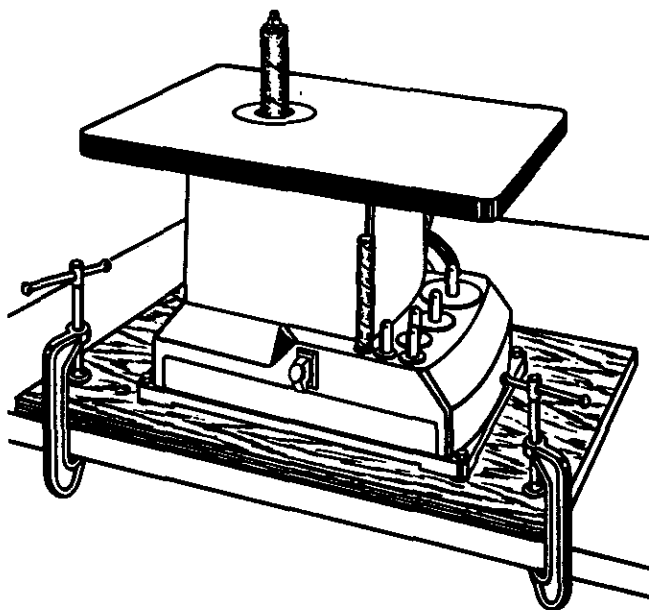
PREPARING FOR OPERATION

See Figure 8.

When preparing for operation we recommend that your sander be secured in a permanent location such as to a workbench.

If sander is to be used in a portable application, we recommend that you fasten it permanently to a mounting board that can easily be clamped to a workbench or other supporting surface. See Figure 8.

The mounting board should be of sufficient size to avoid tipping of sander while in use. Any good grade plywood or chipboard with a 3/4 in. thickness is recommended.



SANDER SHOWN MOUNTED TO A MOUNTING BOARD FOR PORTABLE APPLICATIONS. ALSO SHOWN SECURELY CLAMPED TO A WORKBENCH.

Fig. 8

Mount sander to board using holes in cabinet as a template for hole pattern. A 1/4 in. hole is located on each of the four corners of the cabinet. Use 1/4 in. bolts for securing sander to a workbench or mounting board. If lag bolts are used, make sure they are long enough to go through holes in sander, holes in cushions and material sander is being mounted to. If machine bolts are being used, make sure bolts are long enough to go through holes in sander cabinet, holes in cushions, material being mounted to, lock washers, and hex nuts.

Note: It may be necessary to countersink hex nuts and washers on bottom side of mounting board.

The supporting surface where sander is mounted should be examined carefully after mounting to make sure that no movement during use can result. If any "tipping" or "walking" is noticed, secure workbench legs or supporting surface before beginning sanding operations. Support workpiece with miter gage, backstop or worktable. A worktable should be a stable support. A backstop is a support for the workpiece.

When preparing for operation, make sure hex nut on top of spindle is tightened securely. Also make sure that wrench has been removed from hex nut and returned to wrench storage area.

⚠ WARNING: Do not wear loose clothing or jewelry when operating sander. They could get caught in moving parts, causing serious injury. Keep head away from sander and sanding area. Hair could get caught in the rotating parts, causing serious personal injury.

OPERATION

⚠ WARNING: Always wear safety goggles or safety glasses with side shields when using your sander. Failure to do so could result in dust, shavings, loose particles, or foreign objects being thrown in your eyes, resulting in possible serious injury. If the operation is dusty, also wear a face or dust mask.

SANDING

See Figure 9.

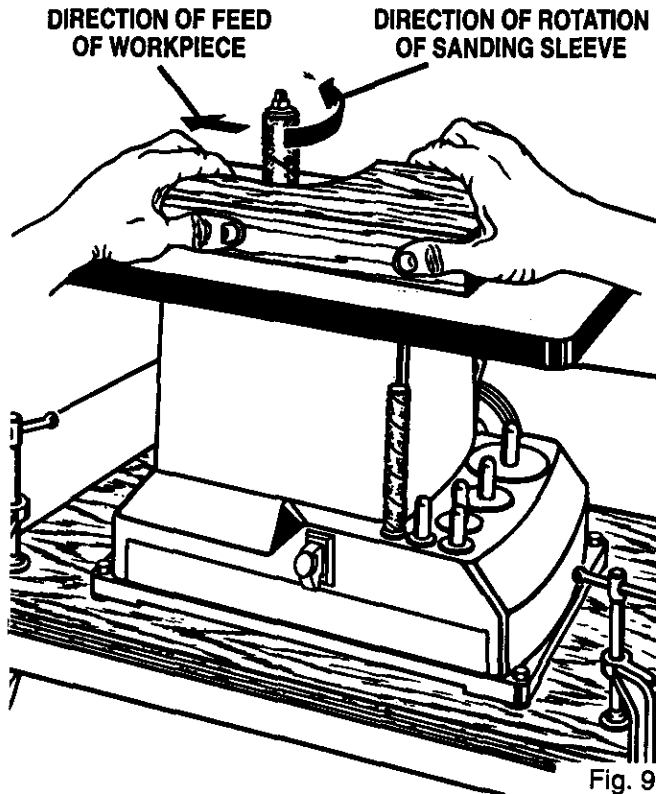


Fig. 9

Insert the switch key and turn sander on. Let the motor build to its full speed, then gradually feed workpiece against sanding sleeve. **Do not** let the workpiece contact sanding sleeve before turning on sander and allowing it to develop full speed.

Do not force. Exercise caution! You will become familiar with the sander's features from practice and use. If at all possible, always sand with a scrap piece of the same wood, beforehand.

Always Remain alert! Do not operate sander when fatigued, or under the influence of alcohol or drugs.

FEED DIRECTION

When sanding, the sanding sleeve rotates counter-clockwise. Therefore, you should feed the workpiece against the sanding sleeve from right to left as shown in figure 9. When fed from right to left, the rotation of the sanding sleeve sands against the workpiece. If fed in the opposite direction, the rotation forces of the

spinning sanding sleeve will tend to throw or bounce the workpiece away from the sanding sleeve. This could cause loss of control of workpiece.

DUST COLLECTION CAPABILITY

See Figure 10.

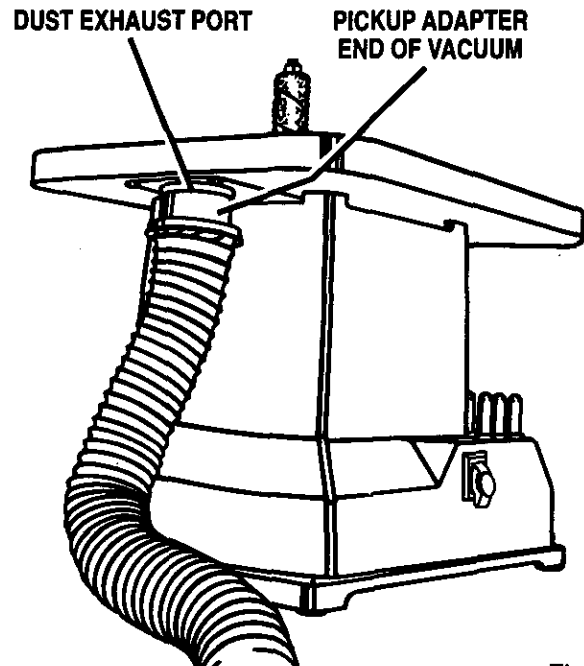


Fig. 10

A standard 2-1/4 in. dust exhaust port has been provided to make dustless sanding possible. It is located under the table top on the left side of your sander as shown in figure 10. The pickup adapter end of a vacuum hose fits inside the dust exhaust port with a wedge fit type connection.


Even with a dust collection system, it is necessary to periodically clean sanding dust from the throat plate area. After extended use, sanding dust builds up under the throat plate and forces its way into the throat plate nest. Sanding dust build up in this area may cause throat plate surface to rise and be above the table surface.

⚠ WARNING: Do not use this sander for sanding metals. Sanding metals will cause sparks that will ignite wood and dust particles on sander, in dust collector, or in workshop.

TRANSPORTING SANDER

When using your sander in a portable application, it is acceptable to lift and carry sander by the table top. Be careful when transporting to avoid dislodging throat plates, wrench, and upper spindle washers from their respective storage areas. Also be careful not to lose any parts when transporting.


MAINTENANCE

 **WARNING:** When servicing, use only identical Craftsman replacement parts. Use of any other part may create a hazard or cause product damage.

GENERAL

Only the parts shown on parts list, page seventeen, are intended to be repaired or replaced by the customer. All other parts represent an important part of the double insulation system and should be serviced only by a qualified Sears service technician.

Avoid using solvents when cleaning plastic parts. Most plastics are susceptible to various types of commercial solvents and may be damaged by their use. Use clean cloths to remove dirt, dust, etc.

 **WARNING:** Do not at any time let brake fluids, gasoline, petroleum-based products, penetrating oils, etc. come in contact with plastic parts. They contain chemicals that can damage, weaken, or destroy plastic.


It has been found that electric tools are subject to accelerated wear and possible premature failure when they are used on fiberglass boats, sports cars, wallboard, spackling compounds, or plaster. The chips and grindings from these materials are highly abrasive to electric tool parts such as bearings, brushes, commutators, etc. Consequently, it is not recommended that this tool be used for extended work on any fiberglass material, wallboard, spackling compounds, or plaster. During any use on these materials it is extremely important that the tool is cleaned frequently by blowing with an air jet.


Remember: It is recommended that you use this sander for sanding wood and plastics only.

EXTENSION CORDS


The use of any extension cord will cause some loss of power. To keep the loss to a minimum and to prevent tool overheating, use an extension cord that is heavy enough to carry the current the tool will draw.

A wire gage size (A.W.G.) of at least 16 is recommended for an extension cord 100 feet or less in length. When working outdoors, use an extension cord that is suitable for outdoor use. The cord's jacket will be marked **WA**.

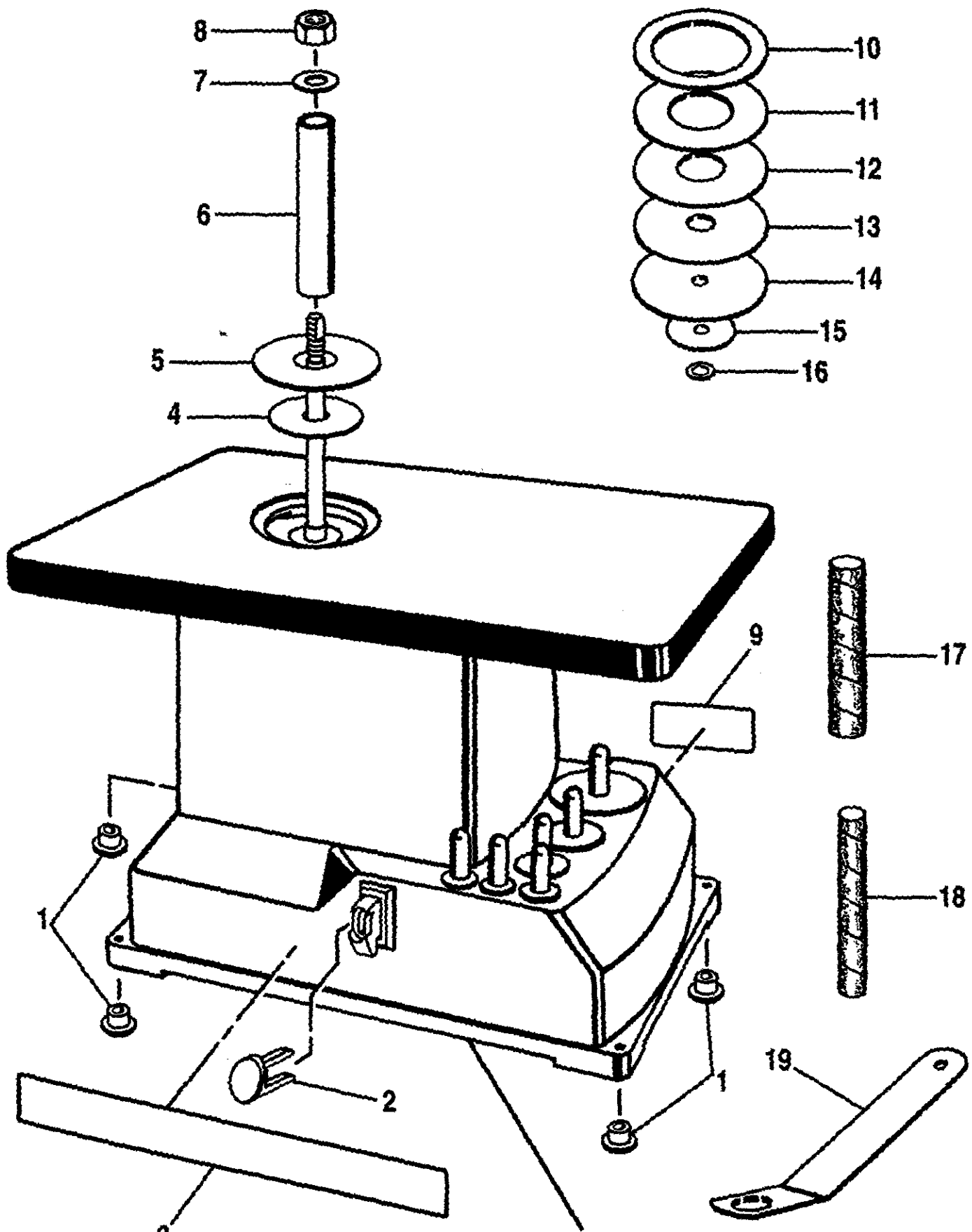
 **CAUTION:** Keep extension cords away from the cutting area and position the cord so that it will not get caught on lumber, tools, etc., during sanding operation.

 **WARNING:** Check extension cords before each use. If damaged replace immediately. Never use tool with a damaged cord since touching the damaged area could cause electrical shock resulting in serious injury.

Extension cords suitable for use with your sander are available at your nearest Sears Retail Store.

 **WARNING:** Always wear safety goggles or safety glasses with side shields during power tool operation or when blowing dust. If operation is dusty, also wear a dust mask.

CRAFTSMAN OSCILLATING SANDER - MODEL NUMBER 315.215700



SEE NOTE "A" PAGE 17

CRAFTSMAN OSCILLATING SANDER – MODEL NUMBER 315.215700

The model number will be found on a plate attached to the rear of the cabinet. Always mention the model number in all correspondence regarding your **OSCILLATING SANDER** or when ordering repair parts.

PARTS LIST

Key No.	Part Number	Description	Quan.
1	662681-001	Cushion.....	4
2	976863-001	Switch Key	1
3	976378-001	Logo Plate.....	1
4	662606-002	Lower Spindle Washer	1
5	663133-001	1-3/16 in. Throat Plate	1
6	662610-001	1 in. Rubber Spindle	1
7	706382-359	7/8 in. Upper Spindle Washer	1
8	621377-005	Hex Nut (3/8-24)	1
9	976376-001	Data Plate	1
10	663136-001	3-3/16 in. Throat Plate	1
11	663135-001	2-3/16 in. Throat Plate	1
12	663134-001	1-21/32 in. Throat Plate	1
13	663132-001	15/16 in. Throat Plate	1
14	663131-001	11/16 in. Throat Plate	1
15	662607-002	1-13/16 in. Upper Spindle Washer	1
16	703493-820	5/8 in. Upper Spindle Washer	1
17	662729-022	1 in. Sanding Sleeve.....	1
18	662729-002	1/2 in. Sanding Sleeve	1
19	967074-002	9/16 in. Wrench	1
20	976972-001	Warning Label (Not Shown)	1
	972000-481	Owner's Manual	

NOTE: "A" - The assembly shown represents an important part of the Double Insulated System. To avoid the possibility of alteration or damage to the System, service should be performed by your nearest Sears Repair Center. Contact your nearest Sears Retail Store for service center information.

For repair of major brand appliances in your own home...
no matter who made it, no matter who sold it!

1-800-4-MY-HOMESM Anytime, day or night
(1-800-469-4663)

www.sears.com

To bring in products such as vacuums, lawn equipment and electronics
for repair, call for the location of your nearest **Sears Parts & Repair Center.**

1-800-488-1222 Anytime, day or night

www.sears.com

For the replacement parts, accessories and owner's manuals
that you need to do-it-yourself, call **Sears PartsDirectSM**!

1-800-366-PART 6 a.m. – 11 p.m. CST,
(1-800-366-7278) 7 days a week

www.sears.com/partsdirect

To purchase or inquire about a Sears Service Agreement:

1-800-827-6655

7 a.m. – 5 p.m. CST, Mon. – Sat.

Para pedir servicio de reparación a domicilio,
y para ordenar piezas con entrega a domicilio:

1-888-SU-HOGARSM
(1-888-784-6427)

Au Canada pour service en français:

1-877-LE-FOYERSM
(1-877-533-6937)

SEARS
HomeCentralSM