

Owner's Manual

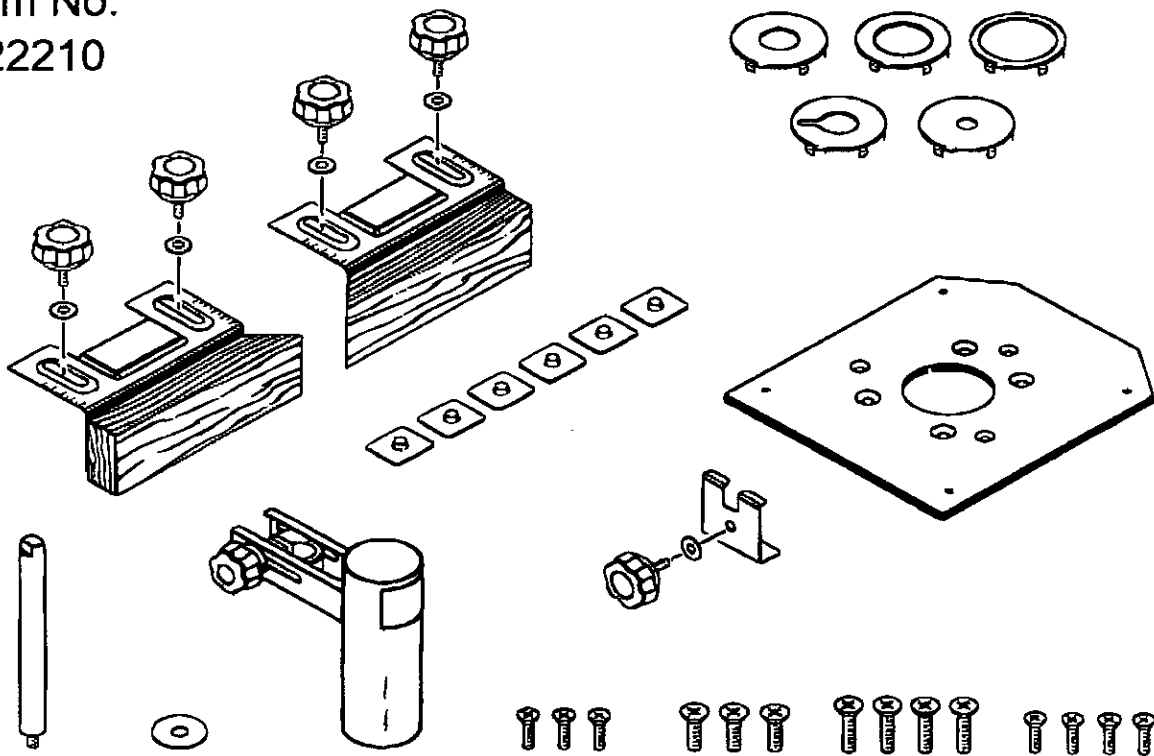


ROUTER MOUNTING KIT

FOR MODEL NOS. 9-22811 AND 9-22185 TABLE SAWS

Item No.

9 22210



Save this manual for future reference.

CAUTION: Read and follow all Safety Rules and Operating Instructions before first use of this product.

- SAFETY
- UNPACKING
- ASSEMBLY
- USE

Customer Help Line: 1-800-932-3188

Sears, Roebuck and Co., Hoffman Estates, IL 60179 USA
Visit the Craftsman web page: www.sears.com/craftsman

RULES FOR SAFE OPERATION

READ ALL INSTRUCTIONS

- **READ THESE INSTRUCTIONS AND INSTRUCTIONS FOR YOUR TABLE SAW THOROUGHLY BEFORE USING ACCESSORY.**
- **KNOW YOUR POWER TOOL.** Read the owner's manual for your Table Saw carefully. Learn the saw's applications and limitations as well as the specific potential hazards related to this tool.
- **KEEP THE WORK AREA CLEAN.** Cluttered work areas and work benches invite accidents. **DO NOT** leave tools or pieces of wood on the saw while it is in operation.
- **ALWAYS WEAR SAFETY GLASSES.** Everyday eyeglasses have only impact-resistant lenses; they are **NOT** safety glasses.
- **ALWAYS DISCONNECT SAW FROM POWER SUPPLY BEFORE MAKING ADJUSTMENTS OR ADDING ACCESSORIES.** Make sure the switch is off when reconnecting to power supply.
- **ALWAYS FEED WORKPIECE AGAINST THE ROTATION OF THE CUTTER.**
- **DO NOT USE AWKWARD HAND POSITIONS.**
- **KEEP FINGERS AWAY** from the revolving cutter, and use fixtures when necessary.
- **ALWAYS USE THE DUST COVER** for overhead guarding.
- **DO NOT REMOVE JAMMED CUTOFF PIECES** until cutter or blade has stopped and tool has been disconnected from power source.
- **HOLD THE WORKPIECE FIRMLY AGAINST THE TABLE.**
- **ALWAYS USE THE SAW'S MASTER SWITCH TO TURN THE ROUTER ON AND OFF.**
- **SAVE THESE INSTRUCTIONS.** Refer to them frequently and use to instruct other users. If you loan someone this accessory, loan them these instructions also.



Look for this symbol to point out important safety precautions. It means attention!!! Your safety is involved.

UNPACKING

ROUTER MOUNTING KIT

Read these instructions completely before mounting your router to the accessory table of your Craftsman 922811 or 922185 table saw.

A router mounted on the accessory table will provide expanded capabilities for making rabbets, grooves, chamfers, dovetails, and mortise and tenon joints. This router mounting kit will accommodate most Craftsman routers.

If used and stored properly, the router mounting kit will give you years of dependable, trouble-free performance.



WARNING: Before attempting to use your router mounting kit, familiarize yourself with all operating features and safety requirements.



WARNING:



The operation of any tool can result in foreign objects being thrown into your eyes, which can result in severe eye damage. Before beginning tool operation, always wear safety goggles or safety glasses with side shields and a full face shield when needed. We recommend Wide Vision Safety Mask for use over eyeglasses or standard safety glasses with side shields, available at Sears Retail Stores.

UNPACKING THE ROUTER MOUNTING KIT

Included in the router mounting kit are a mounting plate, two guide fences with guide blocks, a guard/dust cover with pivot assembly, 5 throat plates, plus necessary brackets and hardware required to mount a router to the accessory table of the Craftsman 922811 or 922185 table saw.

Separate all the parts and check the parts against the parts list. See Figure 1.

During assembly and installation you will need a Phillips screwdriver, an adjustable wrench, and possibly a hex key.



WARNING: Use recommended accessories.

The use of improper accessories may create a risk of injury. Do not use this router mounting kit for any purpose other than as an accessory to the recommended table saw. Failure to heed this warning can result in serious personal injury or damage to the accessory.

ASSEMBLY

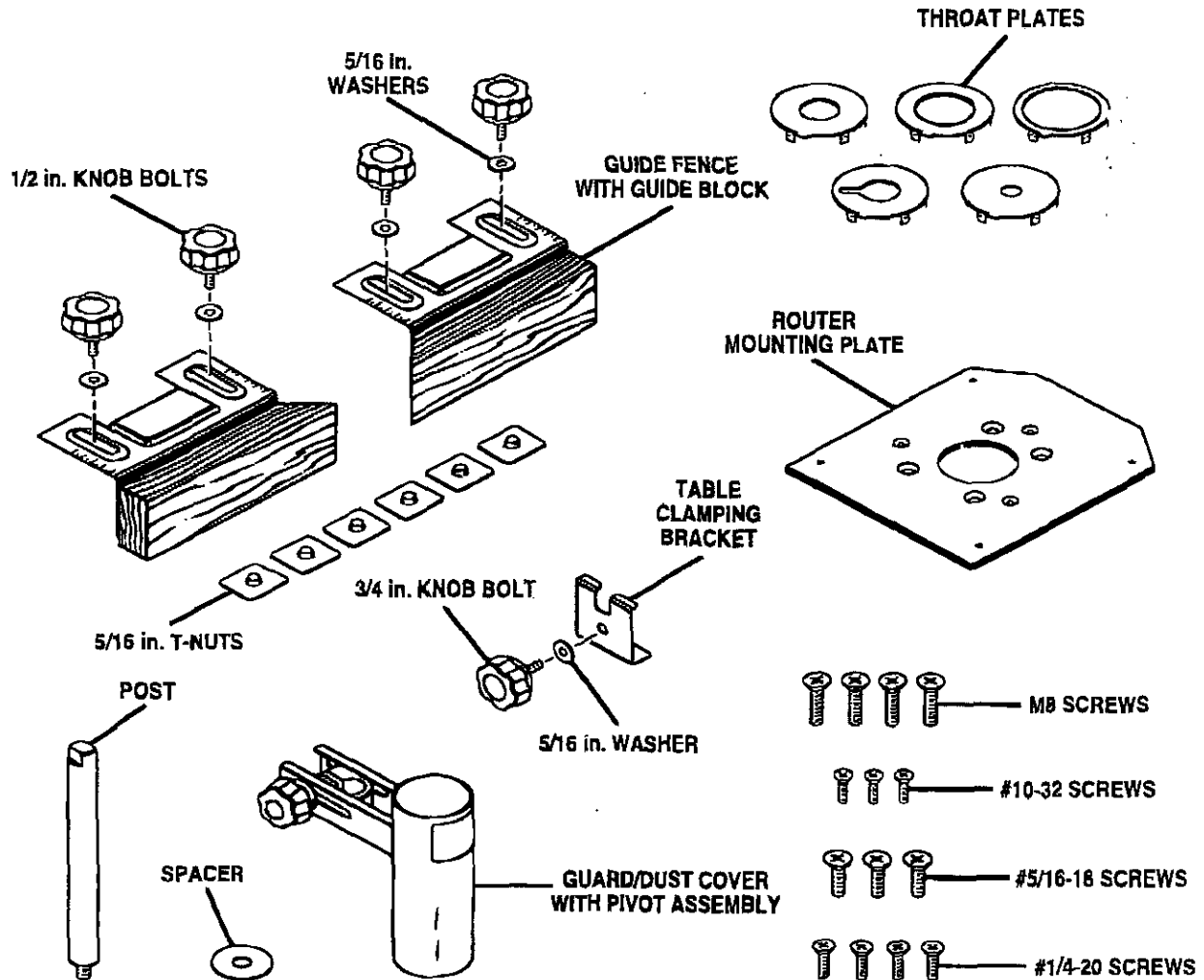


Fig. 1

LOOSE PARTS

Check the parts with the list. If any of the parts are missing, delay the assembly until you have obtained the missing part.

Description	Quantity
Guide Fence with Guide Block	2
Knob Bolt (5/16-18 x 1/2 in. for Guide Fence) ..	4
5/16 in. Washer	5
5/16 in. T-Nut (Special)	6
Spacer	1
Post	1
Guard/Dust Cover with Pivot Assembly	1
Throat Plates	5
Router Mounting Plate	1
Table Clamping Bracket	1
Knob Bolt (5/16-18 x 3/4 in. for Table Clamp) ..	1
Screw (M8 x 24 mm flat head screw)	4
Screw (#10-32 x 1/2 in. flat head)	3
Screw (#5/16-18 x 3/4 in. flat head)	3
Screw (#1/4-20 x 1/2 in. flat head)	4

GUIDE FENCE ASSEMBLY

- Unplug the saw.

⚠ WARNING: Unplug the power supply cord of the saw before mounting this kit. Failure to unplug your saw could result in accidental starting causing possible serious personal injury.

⚠ WARNING: The saw's motor cord must be disconnected from the receptacle on saw when using this kit. The power cord of the router must be plugged into the receptacle on the saw. The saw's master switch must be used to turn the router On and Off. Failure to do so could result in serious personal injury.

- Lift the blade guard and place the rip fence against the saw blade and lock the rip fence in place. This will insure that the rip fence remains square while installing the first t-nut. See Figure 2.

ASSEMBLY

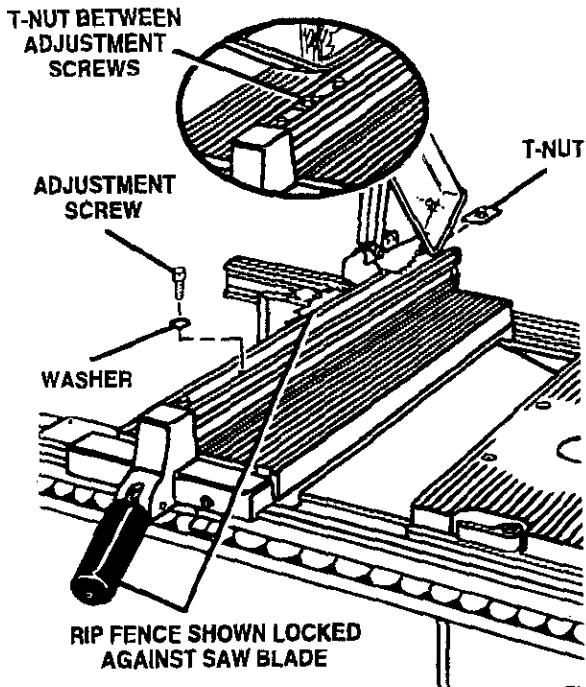


Fig. 2

- Using the hex key provided with your saw, remove the rear adjustment screw and washer on top of the rip fence.
- Slide one of the t-nuts into the top channel of the rip fence and place it between the two adjustment screws. See Figures 2 and 3.
- Note:** T-nuts install from the rear of the rip fence.
- Replace the washer and the adjustment screw and tighten securely.
- Check the rip fence for squareness with the saw blade.

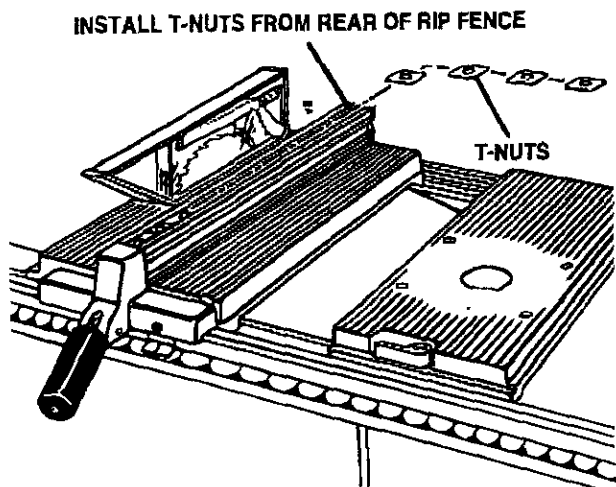


Fig. 3

- Unlock the rip fence, slide it away from the saw blade, and lock it in place.
- Slide the four remaining t-nuts into the top channel of the rip fence. See Figure 3.

Note: Five t-nuts should be in the top channel of the rip fence with only one of them between the adjustment screws on the rip fence.

- To install the guide fence brackets, align each bracket with two of the t-nuts on top of the rip fence. See Figure 4.
- Note:** Use the front two t-nuts and the back two t-nuts leaving the one in the middle empty.
- Secure the guide fence brackets to the rip fence with 5/16 in. washers and the 5/16 in. x 1/2 in. knob bolts.
- Place the spacer on the threaded end of the post and thread the post into the remaining t-nut.
- Tighten the post securely with an adjustable wrench on the flats on the top of the post.
- Place the guard/dust cover on the post.
- The assembly will slide up and down on the post as needed. Secure at the desired location by tightening the knob nut attached to the carriage bolt.

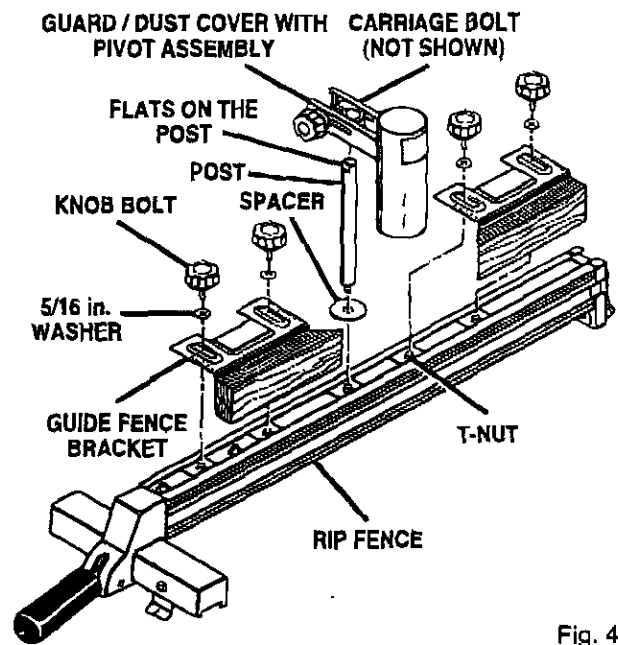


Fig. 4

ASSEMBLY

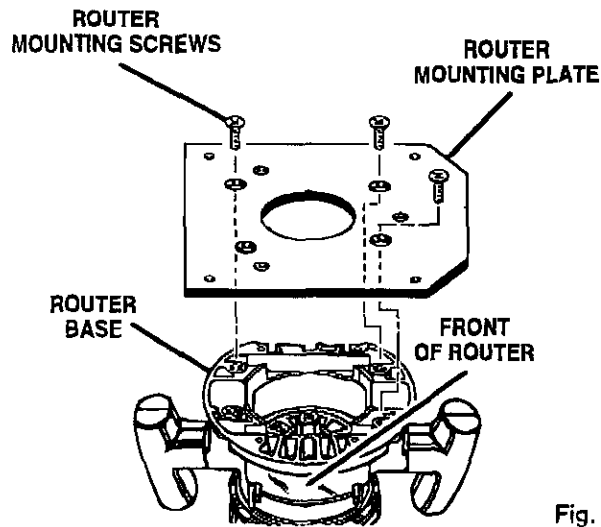


Fig. 5

ASSEMBLE THE ROUTER TO THE ROUTER MOUNTING PLATE AND ACCESSORY TABLE

- Unplug the router.

⚠ WARNING: Unplug the router to avoid possible injury.

- Place your router upside down on a workbench.
- Remove the subbase screws and subbase from your router.

Note: The subbase is mounted permanently on some routers and should not be removed.

- The switch handle of the router should be facing the squared end of the mounting plate. See Figure 5.
- Using the screws that fit your router, secure the mounting plate to your router base.
- Tighten the screws securely.

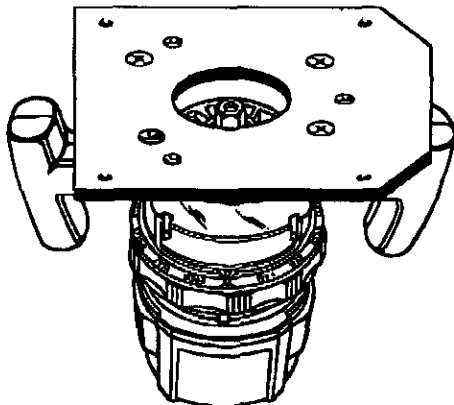


Fig. 6

- Properly installed, the mounting plate will be securely attached to the router. See Figure 6.
- Place the router and the mounting plate under the accessory table. See Figure 7.
- Secure the mounting plate to the accessory table using the four 1/4-20 x 1/2 in. flat head screws.

Note: The accessory table can be removed from the table saw to attach the router and mounting plate. Follow instructions in the table saw owner's manual for removing and reattaching the accessory table.

- Tighten the screws securely.

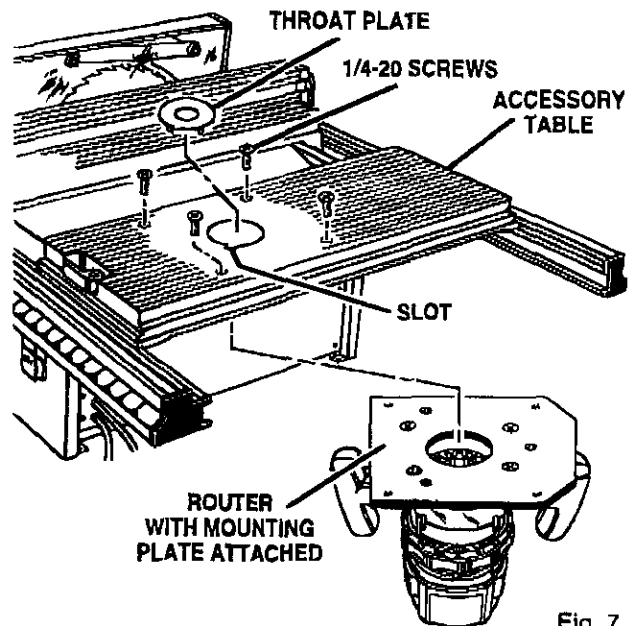


Fig. 7

ROUTER BIT AND THROAT PLATE

Follow the instructions in the router's owner's manual to install a router bit. Securely tighten the router bit in the collet.

⚠ CAUTION: Make sure the router bit will not strike the accessory table or any metal surface.

Select the correct size throat plate for the size of the router bit. Align the tab on the throat plate with the slot in the accessory table and snap in place. Make sure the throat plate is firmly seated below the table surface. Recheck the router bit to make sure it will not strike the throat plate.

INSTALLATION

- ⚠ **WARNING:** The router throat plates are included to assure no more than 1/4 in. clearance between the cutter and the opening in the throat plate. Use the correct throat plate. Do not use a router bit smaller than 1/4 in. or larger than 2 in.

TABLE CLAMPING BRACKET

The lever on the accessory table will tighten the table securely to the front rail. The weight of the router and mounting plate may cause the accessory table to loosen or have movement at the rear of the table. To avoid this, install the table clamping bracket. See *Figure 8*.

- Slide one of the t-nuts into the front channel of the rear rail and under the accessory table.
- The table clamping bracket fits in the bottom slot of the rear rail and the slotted top of the bracket wraps around the raised portion on the underside of the accessory table.
- Secure with a 5/16 in. washer and a 5/16-18 x 3/4 in. knob bolt.
- Tighten the knob bolt securely.

After all the router mounting parts have been assembled, your setup should be similar to *Figure 9*.

- Compare your setup and make any necessary adjustments.

TABLE CLAMPING BRACKET SHOWN COMPLETELY ASSEMBLED

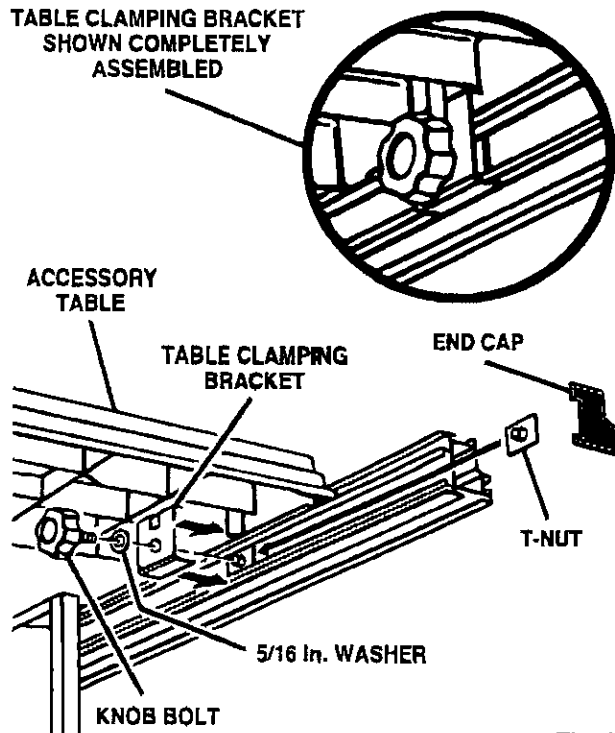


Fig. 8

- Recheck all knob bolts, and attachments and securely tighten.

FINAL PREPARATION FOR OPERATION

- Adjust the dust cover so that it will not come in contact with the workpiece or cutter during a cutting operation.
- Direction of feed of the workpiece is from right to left as shown by the arrow in *figure 9*.
- Direction of feed must always be so that the workpiece is being fed against the sharp edges of the rotating bit.
- The workpiece must always be tight against the guide fence, unless a ball-bearing piloted bit is being used. The infeed fence should be adjusted to support the uncut workpiece while the outfeed fence should be adjusted properly to support the workpiece after the cut passes the router bit, compensating for the removed stock.

- ⚠ **WARNING:** The direction of feed for the work-
DIRECTION OF FEED IS FROM RIGHT TO LEFT AGAINST SHARP EDGES OF THE ROTATING BIT.

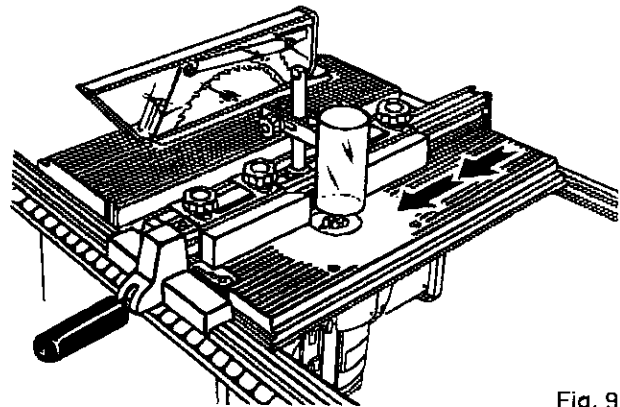


Fig. 9

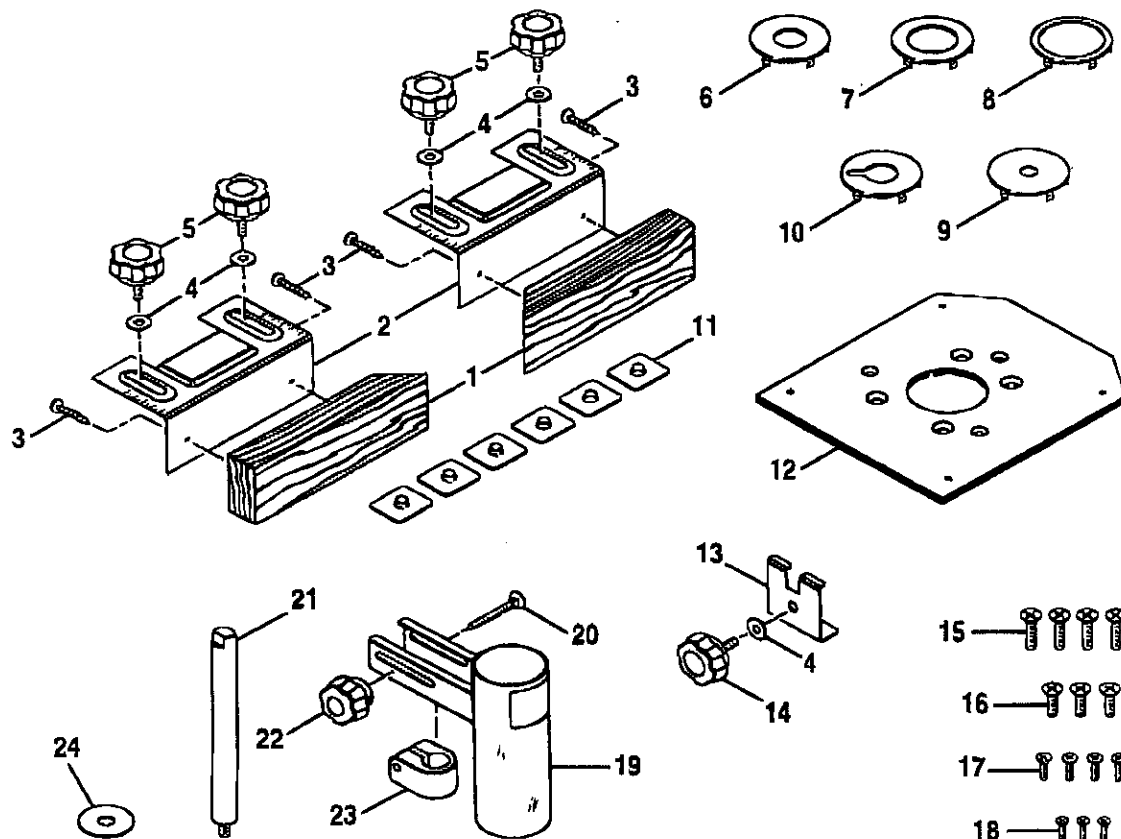
piece is always against the sharp edges of the bit and into the rotation of the cutter. Failure to heed this warning is likely to result in serious personal injury.

- ⚠ **WARNING:** Do not use the guide fence with ball-bearing piloted bits. Failure to heed this warning may result in serious personal injury.

- ⚠ **WARNING:** The guard/dust cover must be used in all routing operations. Do not attempt freehand use on workpieces larger than 6 inches in diameter.

CRAFTSMAN ROUTER KIT ITEM NO. 922210

Always mention the accessory item number in all correspondence regarding your router kit accessory or when ordering repair parts.



PARTS LIST

Key Part No.	Part Number	Description	Quan.	Key Part No.	Part Number	Description	Quan.
1	969966-001	Guide Block.....	2	16	973605-001	Screw (5/16-18 x 3/4 in. flat hd.).....	3
2	969965-002	Guide Fence.....	2	17	622183-053	* Screw (1/4-20 x 1/2 in. flat hd.).....	4
3	969969-001	* Wood Screw (10 x 5/8 in. rd. hd.).....	4	18	614661-001	* Screw (10-32 x 1/2 in. flat hd.).....	3
4	** STD551031	* Washer (5/16 in.).....	5	19	969971-001	Guard/Dust Cover with Decal.....	1
5	661815-001	Knob Bolt (5/16-18 x 1/2 in.) .	4	20	621433-017	* Carriage Bolt (1/4-20 x 1-9/16 in.).....	1
6	975424-003	Throat Plate (1 in.).....	1	21	969967-002	Post.....	1
7	975424-004	Throat Plate (1-1/2 in.).....	1	22	661816-001	Knob Nut (1/4-20 x 1-3/4 in. diameter) .	1
8	975424-005	Throat Plate (2 in.).....	1	23	969972-001	Dust Cover Pivot.....	1
9	975424-002	Throat Plate (1/2 in.).....	1	24	969968-002	Spacer.....	1
10	975424-006	Throat Plate (1-1/8 in.).....	1		972000-724	Owner's Manual	
11	969251-001	T-Nut (5/16 in.).....	6				
12	969961-003	Router Mounting Plate.....	1				
13	661710-001	Table Clamping Bracket.....	1				
14	661815-002	Knob Bolt (5/16-18 x 3/4 in.) .	1				
15	982537-001	Screw (M8 x 24 flat hd.).....	4				

* Standard Hardware Item - May Be Purchased Locally

** Available From Div. 98 - Source 980.00

Get it fixed, at your home or ours!

For repair of major brand appliances in your own home...
no matter who made it, no matter who sold it!

1-800-4-MY-HOMESM Anytime, day or night
(1-800-469-4663)

www.sears.com

To bring in products such as vacuums, lawn equipment and electronics
for repair, call for the location of your nearest **Sears Parts & Repair Center**

1-800-488-1222 Anytime, day or night

www.sears.com

For the replacement parts, accessories and owner's manuals
that you need to do-it-yourself, call **Sears PartsDirectSM**!

1-800-366-PART 6 a.m. – 11 p.m. CST,
(1-800-366-7278) 7 days a week

www.sears.com/partsdirect

To purchase or inquire about a Sears Service Agreement:

1-800-827-6655

7 a.m. – 5 p.m. CST, Mon. – Sat.

Para pedir servicio de reparación a domicilio,
y para ordenar piezas con entrega a domicilio:

1-888-SU-HOGARSM
(1-888-784-6427)

Au Canada pour service en français:

1-877-LE-FOYERSM
(1-877-533-6937)

