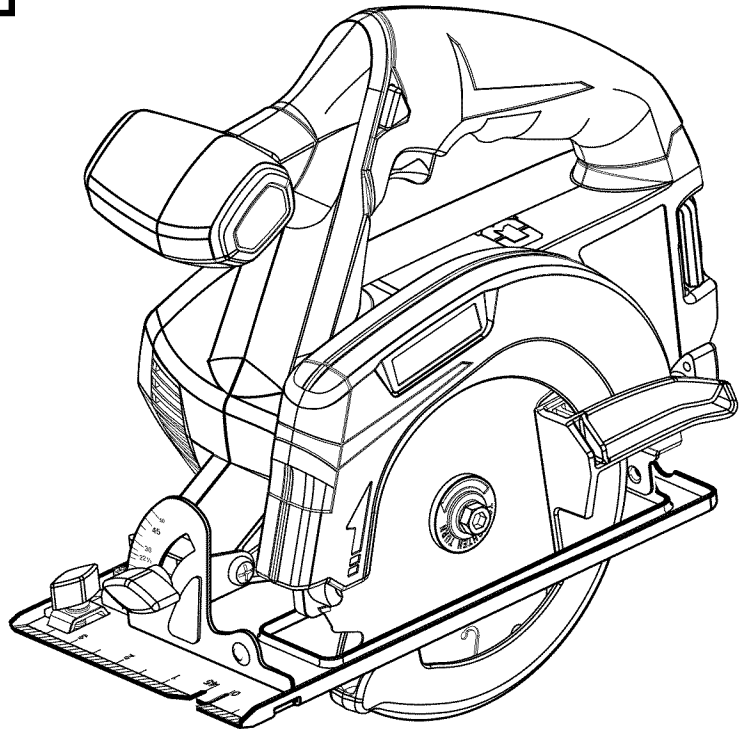


# OPERATOR'S MANUAL

# CRAFTSMAN<sup>®</sup>

## 6-1/2 in. 19.2 VOLT CIRCULAR SAW SIERRA CIRCULAR DE 6-1/2 pulg., 19,2 V

Model No.  
315.CT2040  
Número de modelo  
315.CT2040



**⚠ WARNING:** To reduce the risk of injury, the user must read and understand the operator's manual before using this product.

**⚠ ADVERTENCIA:** Para reducir el riesgo de lesiones, el usuario debe leer y comprender el manual del operador antes de usar este producto.

**BATTERIES AND CHARGERS  
SOLD SEPARATELY**

**LAS BATERÍAS Y LOS CARGADORES  
SE VENDEN POR SEPARADO**

Customer Help Line: 1-800-932-3188  
Teléfono de atención al consumidor: 1-800-932-3188

Sears Brands Management, 3333 Beverly Rd., Hoffman Estates, IL 60179 USA  
Visit the Craftsman web page: [www.sears.com/craftsman](http://www.sears.com/craftsman)  
Visite el sitio web de Craftsman: [www.sears.com/craftsman](http://www.sears.com/craftsman)

990000780  
12-4-13 (REV:01)

**Save this manual for future reference  
Guarde este manual para futuras consulta**



# TABLE OF CONTENTS / ÍNDICE DE CONTENIDO

## ENGLISH

■ Warranty.....	2
■ Introduction.....	2
■ General Power Tool Safety Warnings .....	3-4
■ Circular Saw Safety Warnings .....	4-5
■ Symbols .....	6
■ Features .....	7
■ Assembly .....	7-8
■ Operation .....	9-12
■ Adjustments.....	13
■ Maintenance .....	13
■ Accessories.....	13
■ Illustrated Parts List.....	14-15
■ Figure numbers (illustrations).....	i-iii
■ Parts Ordering / Service.....	Back Page

## ESPAÑOL

■ Garantía .....	2
■ Introducción .....	2
■ Advertencias de seguridad para herramientas eléctricas.....	3-4
■ Advertencias de seguridad sierra circular .....	4-5
■ Símbolos .....	6
■ Características .....	7
■ Armado .....	7-8
■ Funcionamiento .....	9-12
■ Ajustes .....	13
■ Mantenimiento .....	13
■ Accesorios .....	13
■ Figura numeras (ilustraciones).....	i-iii
■ Pedidos de piezas / Servicio .....	Pág. posterior

# WARRANTY / GARANTÍA

## CRAFTSMAN® ONE YEAR LIMITED WARRANTY

FOR ONE YEAR from the date of purchase, this product is warranted against any defects in material or workmanship. With proof of purchase, defective product will be replaced free of charge.

**For warranty coverage details to obtain free replacement, visit the web site: [www.craftsman.com](http://www.craftsman.com)**

This warranty does not cover bits which are expendable part(s) that can wear out from normal use within the warranty period.

This warranty is void if this product is ever used while providing commercial services or if rented to another person.

This warranty gives you specific legal rights, and you may also have other rights which vary from state to state.

**Sears Brands Management Corporation, Hoffman Estates, IL 60179**

\* \* \*

## GARANTÍA LIMITADA DE CRAFTSMAN® POR UN AÑO

Este producto tiene garantía por cualquier defecto en material o mano de obra DURANTE UN AÑO desde la fecha de compra. Los productos defectuosos se reemplazarán sin cargo si presenta un comprobante de pago.

**Si desea conocer los detalles de la cobertura de la garantía para conseguir reparaciones o recambios, visite el sitio Web: [www.craftsman.com](http://www.craftsman.com)**

Esta garantía no cubre la brocas, que es una pieza fungible que puede desgastarse por el uso normal durante el período de garantía.

La garantía pierde validez si este producto se utiliza mientras se prestan servicios comerciales o si se alquila a otra persona.

Esta garantía le otorga derechos legales específicos y también puede gozar de otros derechos que varían según el estado.

**Sears Brands Management Corporation, Hoffman Estates, IL 60179**

# INTRODUCTION / INTRODUCCIÓN

This tool has many features for making its use more pleasant and enjoyable. Safety, performance, and dependability have been given top priority in the design of this product making it easy to maintain and operate.

\* \* \*

Esta herramienta ofrece numerosas características para hacer más agradable y placentero su uso. En el diseño de este producto se ha conferido prioridad a la seguridad, el desempeño y la fiabilidad, por lo cual se facilita su manejo y mantenimiento.

# GENERAL POWER TOOL SAFETY WARNINGS

**⚠ WARNING** Read all safety warnings and all instructions. Failure to follow the warnings and instructions may result in electric shock, fire and/or serious injury.

**Save all warnings and instructions for future reference.** The term “power tool” in the warnings refers to your mains-operated (corded) power tool or battery-operated (cordless) power tool.

## WORK AREA SAFETY

- **Keep work area clean and well lit.** Cluttered or dark areas invite accidents.
- **Do not operate power tools in explosive atmospheres, such as in the presence of flammable liquids, gases, or dust.** Power tools create sparks which may ignite the dust or fumes.
- **Keep children and bystanders away while operating a power tool.** Distractions can cause you to lose control.

## ELECTRICAL SAFETY

- **Power tool plugs must match the outlet. Never modify the plug in any way. Do not use any adapter plugs with earthed (grounded) power tools.** Unmodified plugs and matching outlets will reduce risk of electric shock.
- **Avoid body contact with earthed or grounded surfaces such as pipes, radiators, ranges and refrigerators.** There is an increased risk of electric shock if your body is earthed or grounded.
- **Do not expose power tools to rain or wet conditions.** Water entering a power tool will increase the risk of electric shock.
- **Do not abuse the cord. Never use the cord for carrying, pulling or unplugging the power tool. Keep cord away from heat, oil, sharp edges, or moving parts.** Damaged or entangled cords increase the risk of electric shock.
- **When operating a power tool outdoors, use an extension cord suitable for outdoor use.** Use of a cord suitable for outdoor use reduces the risk of electric shock.
- **If operating a power tool in a damp location is unavoidable, use a ground fault circuit interrupter (GFCI) protected supply.** Use of a GFCI reduces the risk of electric shock.
- **Use battery only with charger listed.** For use with 19.2V nickel-cadmium and 19.2V lithium-ion battery packs, see tool/appliance/battery pack/charger correlation supplement 988000-272.

## PERSONAL SAFETY

- **Stay alert, watch what you are doing and use common sense when operating a power tool. Do not use a power tool while you are tired or under the influence of drugs, alcohol or medication.** A moment of inattention while operating power tools may result in serious personal injury.
- **Use personal protective equipment. Always wear eye protection.** Protective equipment such as dust mask, non-skid safety shoes, hard hat, or hearing protection used for appropriate conditions will reduce personal injuries.
- **Prevent unintentional starting. Ensure the switch is in the off-position before connecting to power source and/or battery pack, picking up or carrying the tool.** Carrying power tools with your finger on the switch or energising power tools that have the switch on invites accidents.
- **Remove any adjusting key or wrench before turning the power tool on.** A wrench or a key left attached to a rotating part of the power tool may result in personal injury.
- **Do not overreach. Keep proper footing and balance at all times.** This enables better control of the power tool in unexpected situations.
- **Dress properly. Do not wear loose clothing or jewellery. Keep your hair, clothing and gloves away from moving parts.** Loose clothes, jewellery or long hair can be caught in moving parts.
- **If devices are provided for the connection of dust extraction and collection facilities, ensure these are connected and properly used.** Use of dust collection can reduce dust-related hazards.
- **Do not wear loose clothing or jewelry. Contain long hair.** Loose clothes, jewelry, or long hair can be drawn into air vents.
- **Do not use on a ladder or unstable support.** Stable footing on a solid surface enables better control of the power tool in unexpected situations.

## POWER TOOL USE AND CARE

- **Do not force the power tool. Use the correct power tool for your application.** The correct power tool will do the job better and safer at the rate for which it was designed.
- **Do not use the power tool if the switch does not turn it on and off.** Any power tool that cannot be controlled with the switch is dangerous and must be repaired.
- **Disconnect the plug from the power source and/or the battery pack from the power tool before making any adjustments, changing accessories, or storing power tools.** Such preventive safety measures reduce the risk of starting the power tool accidentally.

# GENERAL POWER TOOL SAFETY WARNINGS

- **Store idle power tools out of the reach of children and do not allow persons unfamiliar with the power tool or these instructions to operate the power tool.**

Power tools are dangerous in the hands of untrained users.

- **Maintain power tools. Check for misalignment or binding of moving parts, breakage of parts and any other condition that may affect the power tool's operation. If damaged, have the power tool repaired before use.** Many accidents are caused by poorly maintained power tools.
- **Keep cutting tools sharp and clean.** Properly maintained cutting tools with sharp cutting edges are less likely to bind and are easier to control.
- **Use the power tool, accessories and tool bits etc. in accordance with these instructions, taking into account the working conditions and the work to be performed.** Use of the power tool for operations different from those intended could result in a hazardous situation.

## BATTERY TOOL USE AND CARE

- **Recharge only with the charger specified by the manufacturer.** A charger that is suitable for one type of battery pack may create a risk of fire when used with another battery pack.

- **Use power tools only with specifically designated battery packs.** Use of any other battery packs may create a risk of injury and fire.
- **When battery pack is not in use, keep it away from other metal objects, like paper clips, coins, keys, nails, screws or other small metal objects, that can make a connection from one terminal to another.** Shorting the battery terminals together may cause burns or a fire.
- **Under abusive conditions, liquid may be ejected from the battery; avoid contact. If contact accidentally occurs, flush with water. If liquid contacts eyes, additionally seek medical help.** Liquid ejected from the battery may cause irritation or burns.

## SERVICE

- **Have your power tool serviced by a qualified repair person using only identical replacement parts.** This will ensure that the safety of the power tool is maintained.
- **When servicing a power tool, use only identical replacement parts. Follow instructions in the Maintenance section of this manual.** Use of unauthorized parts or failure to follow Maintenance instructions may create a risk of shock or injury.

# CIRCULAR SAW SAFETY WARNINGS

**⚠ DANGER: Keep hands away from cutting area and the blade. Keep your second hand on auxiliary handle, or motor housing.** If both hands are holding the saw, they cannot be cut by the blade.

- **Do not reach underneath the workpiece.** The guard can not protect you from the blade below the workpiece.
- **Adjust the cutting depth to the thickness of the workpiece.** Less than a full tooth of the blade teeth should be visible below the workpiece.
- **Never hold piece being cut in your hands or across your leg. Secure the workpiece to a stable platform.** It is important to support the work properly to minimize body exposure, blade binding, or loss of control.
- **Hold power tool by insulated gripping surfaces only, when performing an operation where the cutting tool may contact hidden wiring.** Contact with a "live" wire will also make exposed metal parts of the power tool "live" and shock the operator.
- **When ripping always use a rip fence or straight edge guide.** This improves the accuracy of cut and reduces the chance of blade binding.

- **Always use blades with correct size and shape (diamond versus round) of arbour holes.** Blades that do not match the mounting hardware of the saw will run eccentrically, causing loss of control.
- **Never use damaged or incorrect blade washers or bolt.** The blade washers and bolt were specially designed for your saw, for optimum performance and safety of operation.

## CAUSES AND OPERATOR PREVENTION OF KICKBACK:

Kickback is a sudden reaction to a pinched, bound or misaligned saw blade, causing an uncontrolled saw to lift up and out of the workpiece toward the operator.

When the blade is pinched or bound tightly by the kerf closing down, the blade stalls and the motor reaction drives the unit rapidly back toward the operator.

If the blade becomes twisted or misaligned in the cut, the teeth at the back edge of the blade can dig into the top surface of the wood causing the blade to climb out of the kerf and jump back toward the operator.

Kickback is the result of saw misuse and/or incorrect operating procedures or conditions and can be avoided by taking proper precautions as given below:

# CIRCULAR SAW SAFETY WARNINGS




- **Maintain a firm grip with both hands on the saw and position your arms to resist kickback forces. Position your body to either side of the blade, but not in line with the blade.** Kickback could cause the saw to jump backwards, but kickback forces can be controlled by the operator, if proper precautions are taken.
- **When blade is binding, or when interrupting a cut for any reason, release the trigger and hold the saw motionless in the material until the blade comes to a complete stop. Never attempt to remove the saw from the work or pull the saw backward while the blade is in motion or kickback may occur.** Investigate and take corrective actions to eliminate the cause of blade binding.
- **When restarting a saw in the workpiece, centre the saw blade in the kerf and check that saw teeth are not engaged into the material.** If saw blade is binding, it may walk up or kickback from the workpiece as the saw is restarted.
- **Support large panels to minimise the risk of blade pinching and kickback.** Large panels tend to sag under their own weight. Supports must be placed under the panel on both sides, near the line of cut and near the edge of the panel.
- **Do not use dull or damaged blades.** Unsharpened or improperly set blades produce narrow kerf causing excessive friction, blade binding and kickback.
- **Blade depth and bevel adjusting locking levers must be tight and secure before making cut.** If blade adjustment shifts while cutting, it may cause binding and kickback.
- **Use extra caution when making a “plunge cut” into existing walls or other blind areas.** The protruding blade may cut objects that can cause kickback.
- **Check lower guard for proper closing before each use. Do not operate the saw if lower guard does not move freely and close instantly. Never clamp or tie the lower guard into the open position.** If saw is accidentally dropped, lower guard may be bent. Raise the lower guard with the retracting handle and make sure it moves freely and does not touch the blade or any other part, in all angles and depths of cut.
- **Check the operation of the lower guard spring. If the guard and the spring are not operating properly, they must be serviced before use.** Lower guard may operate sluggishly due to damaged parts, gummy deposits, or a build-up of debris.
- **Lower guard should be retracted manually only for special cuts such as “plunge cuts” and “compound cuts.” Raise lower guard by retracting handle and as soon as blade enters the material, the lower guard must be released.** For all other sawing, the lower guard should operate automatically.
- **Always observe that the lower guard is covering the blade before placing saw down on bench or floor.** An unprotected, coasting blade will cause the saw to walk backwards, cutting whatever is in its path. Be aware of the time it takes for the blade to stop after switch is released.

## ADDITIONAL SAFETY RULES








- **Use clamps or other practical way to secure and support the workpiece to a stable platform.** Holding the work by hand or against your body is unstable and may lead to loss of control.
- **Know your power tool. Read operator’s manual carefully. Learn its applications and limitations, as well as the specific potential hazards related to this tool.** Following this rule will reduce the risk of electric shock, fire, or serious injury.
- **Always wear eye protection with side shields marked to comply with ANSI Z87.1.** Failure to do so could result in objects being thrown into your eyes, resulting in possible serious injury.
- **Protect your lungs. Wear a face or dust mask if the operation is dusty.** Following this rule will reduce the risk of serious personal injury.
- **Protect your hearing. Wear hearing protection during extended periods of operation.** Following this rule will reduce the risk of serious personal injury.
- **Check damaged parts. Before further use of the tool, a guard or other part that is damaged should be carefully checked to determine that it will operate properly and perform its intended function. Check for alignment of moving parts, binding of moving parts, breakage of parts, mounting, and any other conditions that may affect its operation. A guard or other part that is damaged should be properly repaired or replaced by an authorized service center.** Following this rule will reduce the risk of shock, fire, or serious injury.
- **Inspect for and remove all nails from lumber before using this tool.** Following this rule will reduce the risk of serious personal injury.
- **Save these instructions.** Refer to them frequently and use them to instruct others who may use this tool. If you loan someone this tool, loan them these instructions also.

# SYMBOLS

The following signal words and meanings are intended to explain the levels of risk associated with this product.

SYMBOL	SIGNAL	MEANING
	<b>DANGER:</b>	Indicates an imminently hazardous situation, which, if not avoided, will result in death or serious injury.
	<b>WARNING:</b>	Indicates a potentially hazardous situation, which, if not avoided, could result in death or serious injury.
	<b>CAUTION:</b>	Indicates a potentially hazardous situation, which, if not avoided, may result in minor or moderate injury.
	<b>NOTICE:</b>	(Without Safety Alert Symbol) Indicates important information not related to an injury hazard, such as a situation that may result in property damage.

Some of the following symbols may be used on this product. Please study them and learn their meaning. Proper interpretation of these symbols will allow you to operate the product better and safer.

SYMBOL	NAME	DESIGNATION/EXPLANATION
	Safety Alert	Indicates a potential personal injury hazard.
	Read Operator's Manual	To reduce the risk of injury, user must read and understand operator's manual before using this product.
	Eye Protection	Always wear eye protection with side shields marked to comply with ANSI Z87.1.
	Wet Conditions Alert	Do not expose to rain or use in damp locations.
	No Hands Symbol	Failure to keep your hands away from the blade will result in serious personal injury.
	Recycle Symbols	This product uses nickel-cadmium (Ni-Cd) and lithium-ion (Li-ion) batteries. Local, state, or federal laws may prohibit disposal of batteries in ordinary trash. Consult your local waste authority for information regarding available recycling and/or disposal options.
	Direct Current	Type or a characteristic of current
$n_0$	No Load Speed	Rotational speed, at no load
.../min	Per Minute	Revolutions, strokes, surface speed, orbits etc., per minute
V	Volts	Voltage
A	Amperes	Current
Hz	Hertz	Frequency (cycles per second)
min	Minutes	Time

# FEATURES

## PRODUCT SPECIFICATIONS

Motor .....	19.2 Volt DC	Cutting Depth at 0° .....	2-1/16 in.
Blade Diameter.....	6-1/2 in.	Cutting Depth at 45° .....	1-7/16 in.
Blade Arbor .....	5/8 in.	No Load Speed .....	4,700/min.

## KNOW YOUR CIRCULAR SAW

See Figure 1, page i.

The safe use of this product requires an understanding of the information on the product and in this operator's manual as well as a knowledge of the project you are attempting. Before use of this product, familiarize yourself with all operating features and safety rules.

## BEVEL ADJUSTMENT

The bevel adjustment allows you to set the circular saw for bevel cuts from 0° to 50°.

## BLADE WRENCH STORAGE

Convenient wrench storage for quick blade changes.

## DEPTH LOCK KNOB

The depth lock knob adjusts the depth of cut from 0 in. to 2-1/16 in.

## LOCK-OFF BUTTON

The lock-off button reduces the possibility of accidental starting.

## SPINDLE LOCK BUTTON

The spindle lock button allows you to secure the blade when turning the blade screw.

## WIDTH OF CUT SCALE


When making straight cross cuts or rip cuts, the scale can be used to measure up to 4 in. on the right side of the blade, and up to 1 in. on the left side of the blade.

# ASSEMBLY

## UNPACKING

This product requires assembly.


- Carefully remove the tool and any accessories from the box. Make sure all items listed on the box are included.


 **WARNING:** Do not use this product if any parts on the Packing List are already assembled to your product when you unpack it. Parts on this list are not assembled to the product by the manufacturer and require customer installation. Use of a product that may have been improperly assembled could result in serious personal injury.


- Inspect the tool carefully to make sure no breakage or damage occurred during shipping.
- Do not discard the packing material until you have carefully inspected and satisfactorily operated the tool.
- If any parts are damaged or missing, please call 1-800-932-3188 for assistance.

## PACKING LIST

Circular Saw  
6-1/2 in. Blade  
Blade Wrench  
Operator's Manual

 **WARNING:** If any parts are missing do not operate the tool until the missing parts are replaced. Use of this product with damaged or missing parts could result in serious personal injury.

 **WARNING:** Do not attempt to modify this tool or create accessories not recommended for use with this tool. Any such alteration or modification is misuse and could result in a hazardous condition leading to possible serious personal injury.

 **WARNING:** To prevent accidental starting that could cause serious personal injury, always remove the battery pack from the tool when assembling parts.

# ASSEMBLY

## ATTACHING THE BLADE

See Figure 2, page i.

**⚠ WARNING:** A 6-1/2 in. blade is the maximum blade capacity of the saw. Never use a blade that is too thick to allow outer blade washer to engage with the flats on the spindle. Larger blades will come in contact with the blade guard, while thicker blades will prevent blade screw from securing blade on spindle. Either of these situations could result in a serious accident.

- Remove the battery pack from the saw.
- Remove blade wrench (5 mm hex key) from storage area.
- Depress spindle lock button and remove blade screw and outer blade washer.

**NOTE:** Turn blade screw clockwise to remove.

**NOTICE:** To prevent damage to the spindle or spindle lock, always allow motor to come to a complete stop before engaging spindle lock.

**NOTE:** Do not run the circular saw with spindle lock engaged.

- Wipe a drop of oil onto inner blade washer and outer blade washer where they contact blade.

**⚠ WARNING:** If inner blade washer has been removed, replace it before placing blade on spindle. The larger diameter of the inner blade washer should be placed against the blade. Failure to do so could cause an accident since blade will not tighten properly.

- Fit saw blade inside lower blade guard and onto spindle.

**NOTE:** The saw teeth point upward at the front of saw as shown in figure 2.

- Replace outer blade washer.
- Depress spindle lock button, then replace blade screw. Tighten blade screw securely by turning counterclockwise.
- Return blade wrench to storage area.

**NOTE:** Never use a blade that is too thick to allow the outer blade washer to engage with the flats on the spindle.

## REMOVING THE BLADE

See Figure 3, page i.

- Remove the battery pack from the saw.
- Remove blade wrench from storage area.
- Position the saw as shown, depress the spindle lock button, and remove the blade screw by turning it clockwise.
- Remove outer blade washer.
- Remove the blade.



# OPERATION

**⚠ WARNING:** Do not allow familiarity with products to make you careless. Remember that a careless fraction of a second is sufficient to inflict severe injury.

**⚠ WARNING:** Always remove battery pack from the tool when you are assembling parts, making adjustments, cleaning, or when not in use. Removing battery pack will prevent accidental starting that could cause serious personal injury.

**⚠ WARNING:** Always wear eye protection with side shields marked to comply with ANSI Z87.1. Failure to do so could result in objects being thrown into your eyes, resulting in possible serious injury.

## APPLICATIONS

You may use this product for the purposes listed below:

- Cutting all types of wood products (lumber, plywood, paneling)
- Cross Cutting/Rip Cutting
- Bevel Cutting
- Pocket Cutting

**⚠ WARNING:** Never use abrasive cut-off wheels of any kind with this saw. Use of non wood cutting blades can result in property damage or serious personal injury.

This product will accept Craftsman® 19.2 V lithium-ion battery packs and Craftsman® 19.2 V nickel-cadmium battery packs.

For complete charging instructions, refer to the Operator's Manual for your battery pack and charger models.

**⚠ WARNING:** Battery tools are always in operating condition. Lock the switch when not in use or carrying at your side, when installing or removing the battery pack, and when installing or removing blades.

## INSTALLING/REMOVING BATTERY PACK

See Figure 4, page i.

- Place battery pack in the saw. Align raised rib on battery pack with groove inside saw, then slide battery pack in saw.
- Make sure the latches on each side of the battery pack snap into place and battery pack is secured in saw before beginning operation.
- Depress the latches to remove the battery pack.

## KICKBACK

See Figures 5 - 8, pages i and ii.

Kickback occurs when the blade stalls rapidly and the saw is driven back toward you. Blade stalling is caused by any action which pinches the blade in the wood.

**⚠ DANGER:** Release switch immediately if blade binds or saw stalls. Kickback could cause you to lose control of the saw. Loss of control can lead to serious injury.

### To guard against kickback, avoid dangerous practices such as the following:

- Setting blade depth incorrectly.
- Sawing into knots or nails in workpiece.
- Twisting the blade while making a cut.
- Making a cut with a dull, gummed up, or improperly set blade.
- Supporting the workpiece incorrectly.
- Forcing a cut.
- Cutting warped or wet lumber.
- Operating the tool incorrectly or misusing the tool.

### To lessen the chance of kickback, follow these safety practices:

- Keep blade at the correct depth setting. The depth setting should not exceed 1/4 in. below the material being cut.
- Inspect the workpiece for knots or nails before cutting. Never saw into a knot or nail.
- Make straight cuts. Always use a straight edge guide when rip cutting. This helps prevent twisting the blade.
- Use clean, sharp, and properly set blades. Never make cuts with dull blades.
- Support the workpiece properly before beginning a cut.
- Use steady, even pressure when making a cut. Never force a cut.
- Do not cut warped or wet lumber.
- Hold the saw firmly with both hands and keep your body in a balanced position so as to resist the forces if kickback should occur.

**⚠ WARNING:** When using the saw, always stay alert and exercise control. Do not remove the saw from the workpiece while the blade is moving.

# OPERATION

## SAW BLADES

The best of saw blades will not cut efficiently if they are not kept clean, sharp, and properly set. Using a dull blade will place a heavy load on the saw and increase the danger of kickback. Keep extra blades on hand, so that sharp blades are always available.

Gum and wood pitch hardened on blades will slow the saw down. Remove saw blade from the saw and use gum and pitch remover, hot water, or kerosene to remove these accumulations. **DO NOT USE GASOLINE.**

## BLADE GUARD SYSTEM

See Figure 9, page ii.

The lower blade guard attached to the circular saw is there for your protection and safety. Do not alter it for any reason. If it becomes damaged, do not operate the saw until you have the guard repaired or replaced. Always leave guard in operating position when using the saw.

**⚠ DANGER:** When sawing through work, lower blade guard does not cover blade on the underside of work. Since blade is exposed on underside of work, keep hands and fingers away from cutting area. Any part of your body coming in contact with moving blade will result in serious injury.

**⚠ CAUTION:** Never use saw when guard is not operating correctly. Check the guard for correct operation before each use. The guard is operating correctly when it moves freely and readily returns to the closed position. If you drop the saw, check the lower blade guard and bumper for damage at all depth settings before reuse.

If at any time the lower blade guard does not snap closed, remove the battery from the saw. Exercise the lower guard by moving it rapidly back and forth from the full open position to the closed position several times. Normally this will restore the guard to its normal operating condition. If it does not correct a slow or sluggish closing lower guard, do not use the saw. Take it to an authorized factory service center for repair.

## STARTING/STOPPING THE SAW

See Figure 10, page ii.

### To start the saw:

- Depress the lock-off button.
- Squeeze the switch trigger.

Always let the blade reach full speed, then guide the saw into the workpiece.

**⚠ WARNING:** The blade coming in contact with the workpiece before it reaches full speed could cause the saw to “kick back” toward you resulting in serious injury.

**To stop the saw:** Release the switch trigger.

After you release the switch trigger, allow the blade to come to a complete stop. **Do not remove the saw from the workpiece while the blade is moving.**

## LOCK-OFF BUTTON

See Figure 10, page ii.

The lock-off button reduces the possibility of accidental starting. The lock-off button is located on the handle above the switch trigger. The lock-off button must be depressed before you pull the switch trigger. The lock resets each time the trigger is released.

**NOTE:** You can depress the lock-off button from either the left or right side.

## ADJUSTING BLADE DEPTH

See Figure 11, page ii.

Always keep correct blade depth setting. The correct blade depth setting for all cuts should not exceed 1/4 in. below the material being cut. More blade depth will increase the chance of kickback and cause the cut to be rough. For more depth of cut accuracy, a scale is located on the back of the upper blade guard.

- Remove battery pack from saw.
- Loosen depth lock knob.
- Determine the desired depth of cut.
- Locate depth of cut scale on back of upper blade guard.
- Hold base flat against the workpiece and raise or lower saw until the indicator mark on bracket aligns with notch on blade guard.
- Tighten depth lock knob securely.

## OPERATING THE SAW

See Figures 12 - 14, page ii.

It is important to understand the correct method for operating the saw. Refer to the figures in this section to learn the correct and incorrect ways for handling the saw.

**⚠ DANGER:** When lifting the saw from the workpiece, the blade is exposed on the underside of the saw until the lower blade guard closes. Make sure the lower blade guard is closed before setting the saw down.

# OPERATION

**⚠ WARNING:** To make sawing easier and safer, always maintain proper control of the saw. Loss of control could cause an accident resulting in possible serious injury.

To make the best possible cut, follow these helpful hints:

- Hold the saw firmly with both hands.
- Avoid placing your hand on the workpiece while making a cut.
- Support the workpiece so that the cut (kerf) is always to your side.
- Support the workpiece near the cut.
- Clamp the workpiece securely so that the workpiece will not move during the cut.
- Always place the saw on the workpiece that is supported, not the “cut off” piece.
- Place the workpiece with the “good” side down.
- Draw a guideline along the desired line of cut before beginning your cut.

## CROSS CUTTING/RIP CUTTING

See Figure 15, page ii.

When making a cross cut or rip cut, align the line of cut with the outer blade guide notch on the base.

Since blade thicknesses vary, always make a trial cut in scrap material along a guideline to determine how much, if any, you must offset the guideline to produce an accurate cut.

**NOTE:** The distance from the line of cut to the guideline is the amount you should offset the guide.

## RIP CUTTING

See Figure 16, page ii.

Use a guide when making long or wide rip cuts with the saw.

- Secure the workpiece.
- Clamp a straight edge to the workpiece using C-clamps.
- Saw along the straight edge to achieve a straight rip cut.

**NOTE:** Do not bind the blade in the cut.

## WIDTH OF CUT SCALE

See Figure 17, page iii.

A width of cut scale has been provided on the base of your saw. When making straight cross cuts or rip cuts, the scale can be used to measure up to four inches to the right side of the blade. It can be used to measure up to one inch to the left side of the blade.

## BEVEL CUTTING

See Figures 18 - 19, page iii.

- Align the line of cut with the inner blade guide notch on the base when making 45° bevel cuts.
- Make a trial cut in scrap material along a guideline to determine how much you should offset the guideline on the cutting material.
- Adjust the angle of the cut to any desired setting between 0° to 50°. Refer to **Adjusting the Bevel Setting** next.

## ADJUSTING THE BEVEL SETTING

See Figure 18, page iii.

- Remove battery pack from the saw.
- Loosen the bevel lock knob.
- Raise the motor housing end of the saw until you reach the desired angle setting on the bevel scale.
- Tighten the bevel lock knob securely.

**⚠ WARNING:** Attempting a bevel cut without having the bevel lock knob securely tightened can result in serious injury.

## MAKING A BEVEL CUT

See Figure 19, page iii.

- Hold the saw firmly with both hands as shown.
- Rest the front edge of the base on the workpiece.
- Start the saw and let the blade reach full speed.
- Guide the saw into the workpiece and make the cut.
- Release the trigger and allow the blade to come to a complete stop.
- Lift the saw from the workpiece.


## POCKET CUTTING

See Figure 20, page iii.


**⚠ WARNING:** Always adjust bevel setting to zero before making a pocket cut. Attempting a pocket cut at any other setting can result in loss of control of the saw possibly causing serious injury.

- Remove battery pack from saw.
- Adjust the bevel setting to zero.
- Set the blade to the correct blade depth setting.
- Reinsert battery pack.
- Swing the lower blade guard up using the lower blade guard handle.  
**NOTE:** Always raise the lower blade guard with the handle to avoid serious injury.
- Hold the lower blade guard by the handle while holding the saw firmly with both hands as shown.


# OPERATION

 **WARNING:** Never extend your fingers while holding the lower blade guard handle. Extending your fingers could result in contact with the blade, causing serious injury.

- Rest the front of the base flat against the workpiece with the rear of the handle raised so the blade does not touch the workpiece.
- Start the saw and let the blade reach full speed.
- Guide the saw into the workpiece, release lower blade guard handle, and make the cut.


 **WARNING:** Always cut in a forward direction when pocket cutting. Cutting in the reverse direction could cause the saw to climb up on the workpiece and back toward you.

- Release the trigger and allow the blade to come to a complete stop.
- Lift the saw from the workpiece.
- Clear corners out with a hand saw or sabre saw.

 **WARNING:** Never tie or retain the lower blade guard in a raised position. Leaving the blade exposed could lead to serious injury.

---

## CALIFORNIA PROPOSITION 65

 **WARNING:** This product and some dust created by power sanding, sawing, grinding, drilling, and other construction activities may contain chemicals, including lead, known to the State of California to cause cancer, birth defects, or other reproductive harm. ***Wash hands after handling.***

Some examples of these chemicals are:

- lead from lead-based paints,
- crystalline silica from bricks and cement and other masonry products and,
- arsenic and chromium from chemically treated lumber.

Your risk from exposure to these chemicals varies, depending on how often you do this type of work. To reduce your exposure, work in a well-ventilated area and with approved safety equipment, such as dust masks that are specially designed to filter out microscopic particles.

## ADJUSTMENTS

**⚠ WARNING:** Before performing any adjustment, make sure the battery pack is removed from tool. Failure to heed this warning could result in serious personal injury.

### POSITIVE 0° BEVEL STOP

See Figure 21, page iii.

The saw has a positive 0° bevel stop that has been factory adjusted to assure 0° angle of the saw blade when making 0° (right angle) cuts.

#### To check positive 0° bevel stop:

- Remove the battery pack from the saw.
- Place the saw in an upside down position on a workbench.

- Check the squareness of the saw blade to the base of the saw using a carpenter's square.

#### To adjust positive 0° bevel stop:

- Remove the battery pack from the saw.
- Loosen bevel lock knob.
- Loosen hex nut securing adjusting screw.
- Turn adjusting screw and adjust base until square with saw blade.
- Tighten hex nut and bevel lock knob securely.

**⚠ WARNING:** Attempting a bevel cut without having the bevel lock knob securely tightened can result in serious injury.

## MAINTENANCE

**⚠ WARNING:** When servicing, use only identical replacement parts. Use of any other parts can create a hazard or cause product damage.

**⚠ WARNING:** Always wear eye protection with side shields marked to comply with ANSI Z87.1. Failure to do so could result in objects being thrown into your eyes resulting in possible serious injury.

**⚠ WARNING:** To avoid serious personal injury, always remove the battery pack from the product when cleaning or performing any maintenance.

### GENERAL MAINTENANCE

Avoid using solvents when cleaning plastic parts. Most plastics are susceptible to damage from various types of commercial solvents and can be damaged by their use. Use clean cloths to remove dirt, dust, oil, grease, etc.

**⚠ WARNING:** Do not at any time let brake fluids, gasoline, petroleum-based products, penetrating oils, etc., come in contact with plastic parts. Chemicals can damage, weaken or destroy plastic which could result in serious personal injury.

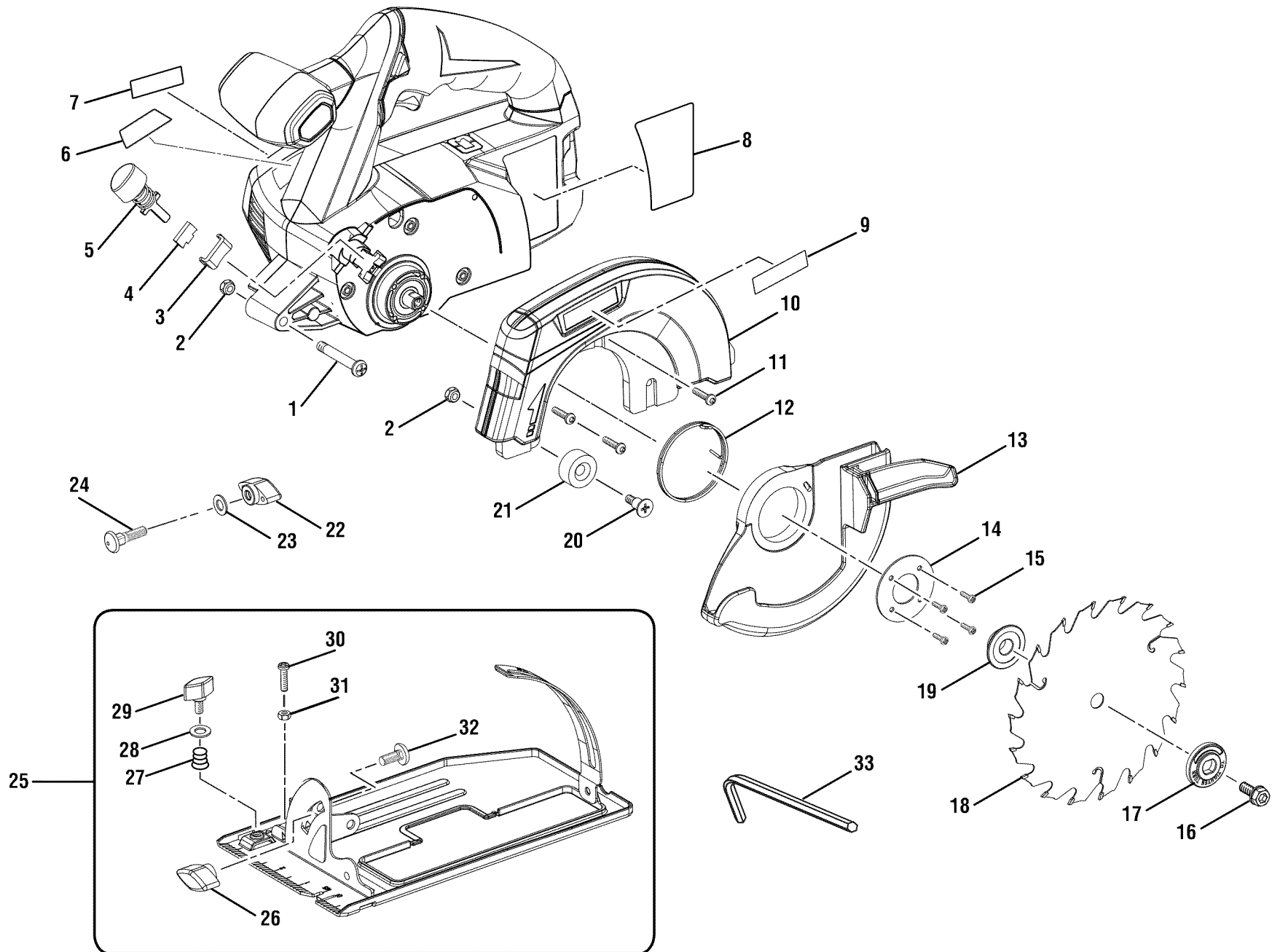
## ACCESSORIES

Look for these accessories at Sears retail:

- 5-1/2 in. Thin Kerf Blade
- Edge Guide

**⚠ WARNING:** Current attachments and accessories available for use with this product are listed above. Do not use any attachments or accessories not recommended by the manufacturer of this product. The use of attachments or accessories not recommended can result in serious personal injury.

CRAFTSMAN 19.2 VOLT CORDLESS CIRCULAR SAW – MODEL NUMBER 315.CT2040



**CRAFTSMAN 19.2 VOLT CORDLESS CIRCULAR SAW – MODEL NUMBER 315.CT2040**

The model number will be found on a label attached to the motor housing. Always mention the model number in all correspondence regarding the **CORDLESS CIRCULAR SAW** or when ordering repair parts.

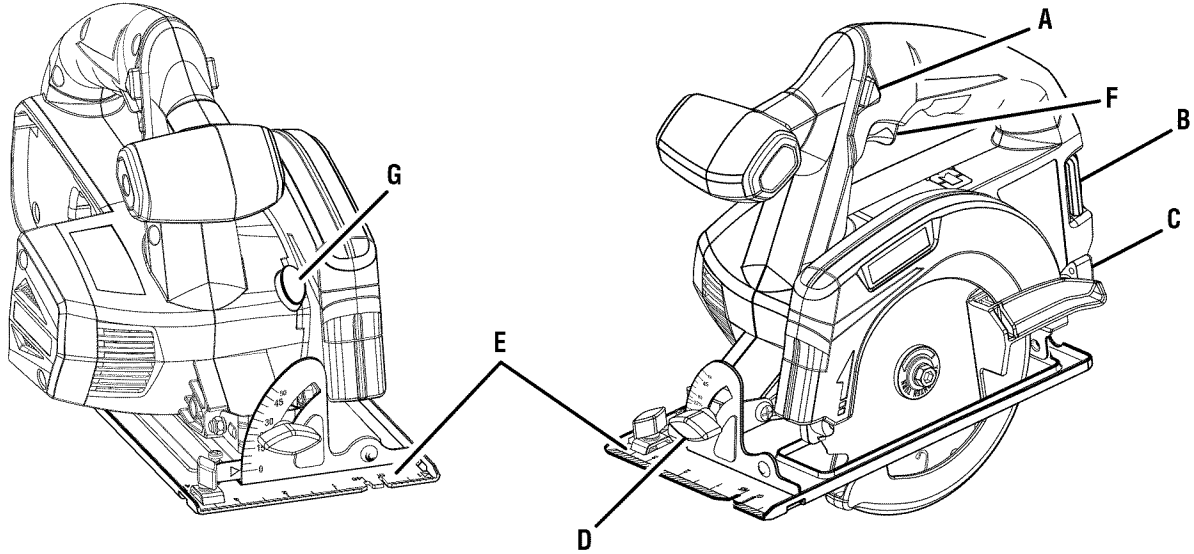
**SEE BACK PAGE FOR PARTS ORDERING INSTRUCTIONS**

**PARTS LIST**

KEY NO.	PART NUMBER	DESCRIPTION	QTY.	KEY NO.	PART NUMBER	DESCRIPTION	QTY.
1	660145003	Screw (M5 x 40 mm).....	1	18	670973046	Saw Blade .....	1
2	670974003	Lock Nut (M5).....	2	19	610276003	Inner Blade Washer .....	1
3	523287004	Shaft Lock Retainer .....	1	20	660193006	Shoulder Screw (M5 x 18 mm) .....	1
4	9030308	Sealing Pad .....	1	21	560990003	Rubber Bumper .....	1
5	202629001	Spindle Lock Knob Assembly .....	1	22	305836001	Depth Lock Knob.....	1
6	941120030	Warning Label.....	1	23	691992001	Washer (OD12 x ID6.4 x 1t) .....	1
7	941002088	Logo Label (Motor Housing).....	1	24	661067002	Bolt (M6 x 22 mm) .....	1
8	941003168	Data Label .....	1	25	304721005	Base Assembly (Inc. Key Nos. 26-32) .....	1
9	941002087	Logo Label (Upper Guard).....	1	26	305835001	Bevel Lock Knob .....	1
10	351914001	Upper Guard.....	1	27	681230001	Spring .....	1
11	660208052	Screw (M4 x 16 mm).....	3	28	680027001	Washer (OD10 x ID5 x 1t) .....	1
12	6867201	Torsion Spring.....	1	29	305837001	Edge Guide Lock Knob .....	1
13	517804005	Lower Guard.....	1	30	660212053	Screw (M4 x 16 mm).....	1
14	6850303	Cover Plate.....	1	31	680022003	Hex Nut (M4 x 3.2 mm).....	1
15	6620104	Screw (M2.6 x 10 mm).....	4	32	660142008	Bolt (M6 x 12 mm) .....	1
16	660144005	Screw (M6 x 16 mm).....	1	33	6800201	Hex Key (5 mm) .....	1
17	610121001	Outer Blade Washer .....	1		990000780	Operator's Manual	

**NOTE:** The assembly shown represents an important part of the double insulated system. To avoid the possibility of alteration or damage to the system, service should be performed by your nearest Sears repair center. Contact your nearest Sears retail store for service center information.

**Fig. 1**

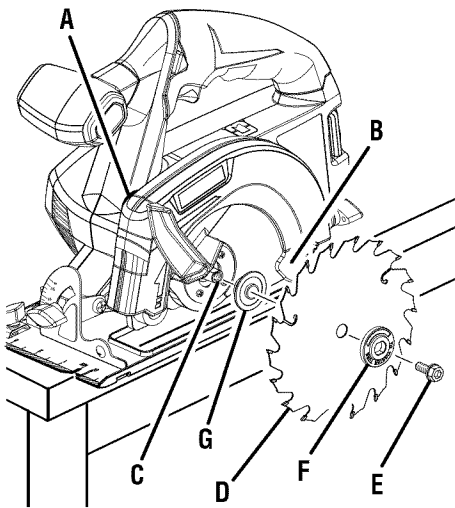


- A - Lock-off button (botón del seguro de apagado)
- B - Blade wrench storage area (área de guardar la llave de la hoja)

- C - Depth lock knob (perilla de fijación de profundidad)
- D - Bevel lock knob (perilla de fijación del bisel)
- E - Width of cut scale (escala de anchura)

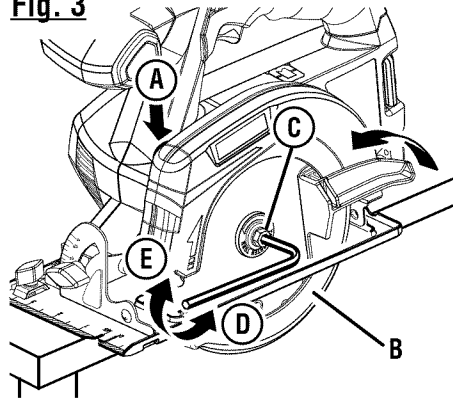
- F - Switch trigger (gatillo del interruptor)
- G - Spindle lock button (botón del seguro del husillo)

**Fig. 2**



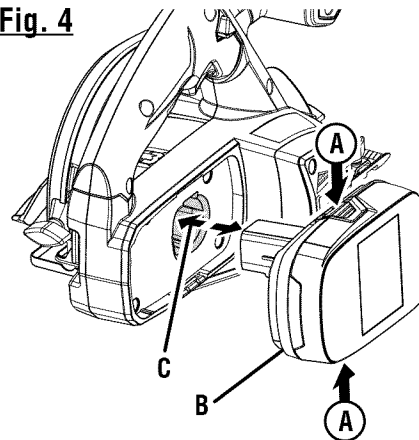
- A - Spindle lock button (botón del seguro del husillo)
- B - Lower blade guard (protección inferior de la hoja)
- C - Spindle (husillo)
- D - Blade (hoja)
- E - Blade screw (tornillo de la hoja)
- F - Outer blade washer (arandela exterior de la hoja)
- G - Inner blade washer (arandela interior de la hoja)

**Fig. 3**



- A - Spindle lock button (botón del seguro del husillo)
- B - Lower blade guard (protección inferior de la hoja)
- C - Blade screw (tornillo de hoja)
- D - To tighten (para apretar)
- E - To loosen (para aflojar)

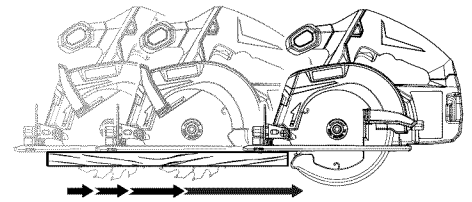
**Fig. 4**



- A - Depress latches to remove battery pack (para soltar el paquete de baterías, oprima los pestillos)
- B - Battery pack (paquete de baterías)
- C - To install (para instalar)

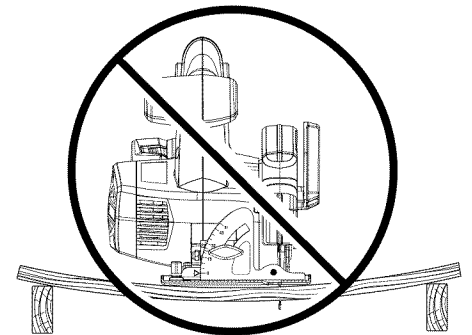
**Fig. 5**

**KICKBACK - BLADE SET TOO DEEP  
(CONTRAGOLPE - LA HOJA SE AJUSTO MUY PROFUNDA)**



**Fig. 6**

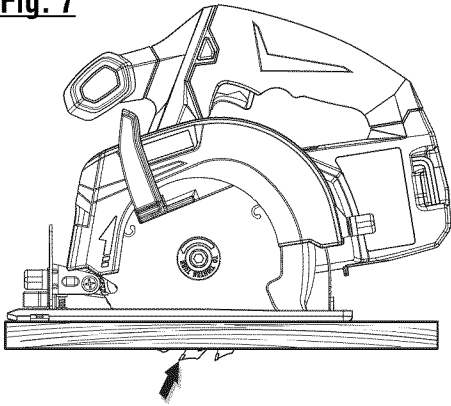
**INCORRECT SUPPORT  
(SOPORTE INCORRECTO)**



**WRONG  
(INCORRECTO)**



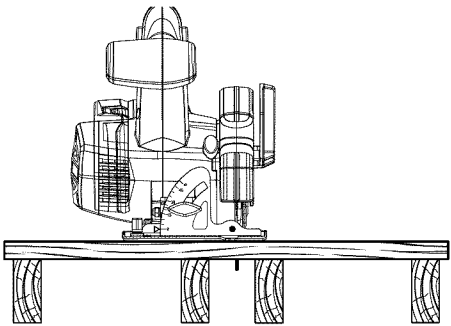
**Fig. 7**



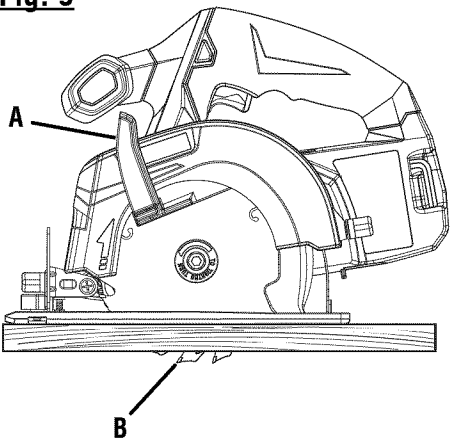
**CORRECT BLADE DEPTH SETTING =  
BLADE EXPOSED 1/4 in. (6.35 mm) OR  
LESS ON UNDERSIDE OF WORKPIECE  
(AJUSTE CORRECTO DE LA PROFUNDI-  
DAD DE LA HOJA = HOJA EXPUESTA 1/4  
PULG. (6.35 MM) O MENOS BAJO LA  
PIEZA DE TRABAJO)**

**Fig. 8**

**CORRECT SUPPORT  
(SOPORTE CORRECTO)**

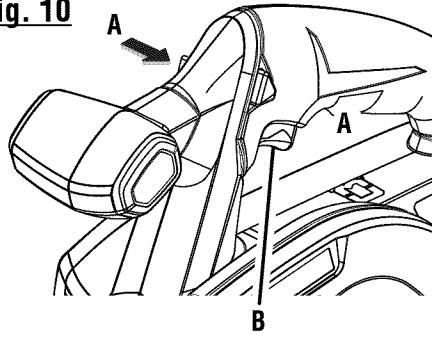


**Fig. 9**



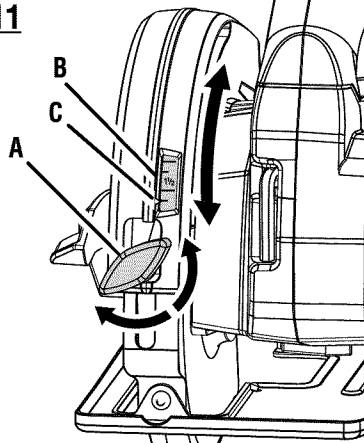
A - Lower blade guard is in up position when making a cut (la protección inferior de la hoja está en la posición elevada al efectuarse cortes)  
B - Blade exposed on underside of workpiece (porción expuesta de la hoja bajo la pieza de trabajo)

**Fig. 10**



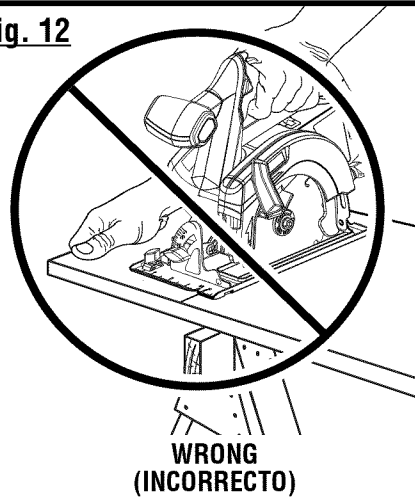
A - Lock-off button (botón del seguro de apagado)  
B - Switch trigger (gatillo del interruptor)

**Fig. 11**

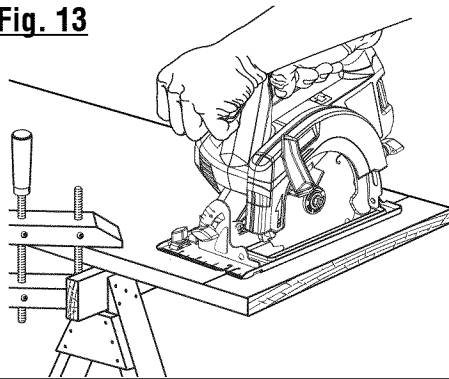


A - Depth lock knob (perilla de fijación de profundidad)  
B - Depth of cut scale (escala de profundidad de corte)  
C - Notch (muesca)

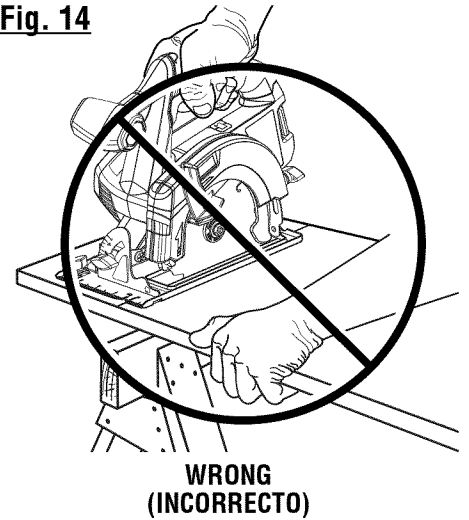
**Fig. 12**



**Fig. 13**

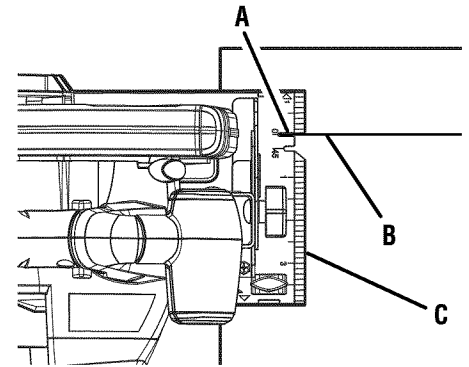


**Fig. 14**



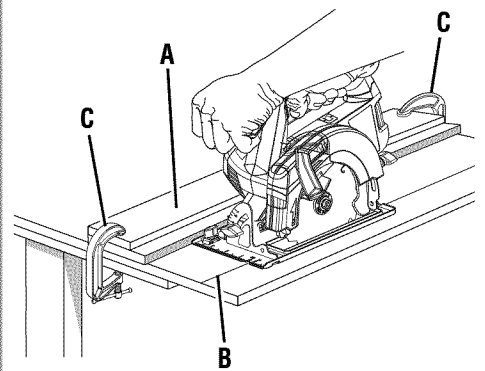
**Fig. 15**

**TOP VIEW OF SAW  
(VISTA SUPERIOR DE LA SIERRA)**



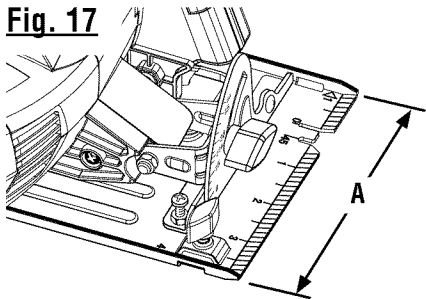
A - Blade guide notch (muesca guía de la hoja)  
B - Guideline (línea guía)  
C - Front of saw (parte frontal de la sierra)

**Fig. 16**



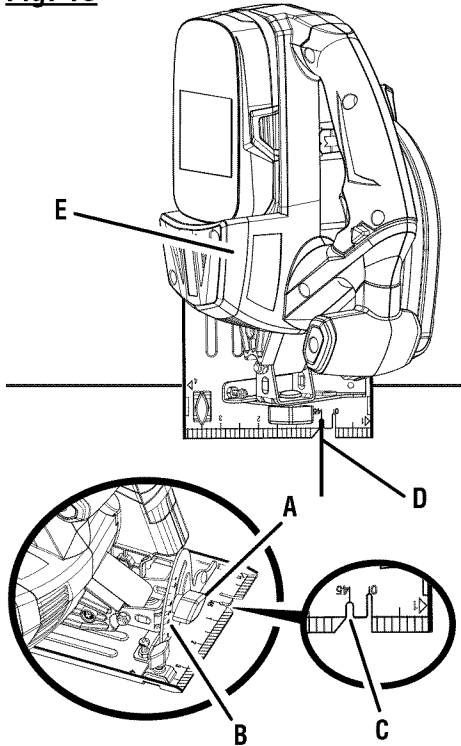
A - Straight edge (recta de bordes)  
B - Workpiece guideline (línea guía de pieza de trabajo)  
C - C-Clamp (prensa en C)

**Fig. 17**



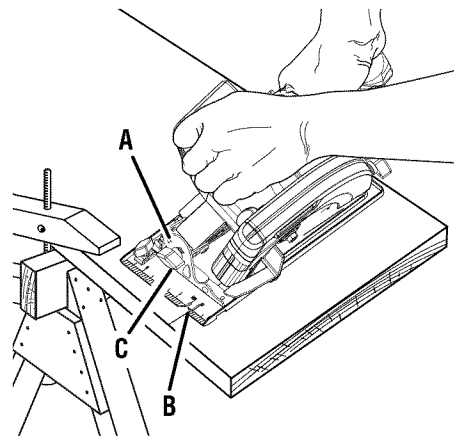
A - Width of cut scale (escala de ancho de corte)

**Fig. 18**



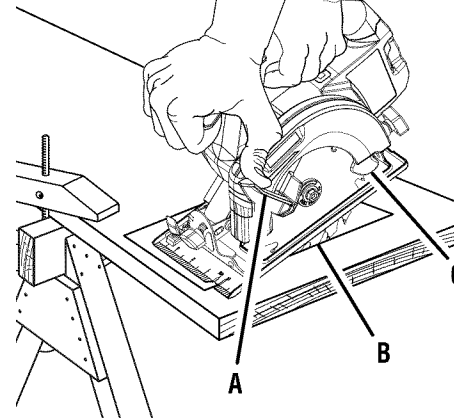
A - Bevel lock knob (perilla de fijación del bisel)  
B - Bevel scale (escala de bisel)  
C - Blade guide notch (muesa guía de la hoja)  
D - Guideline (línea guía)  
E - Motor housing (alojamiento del motor)

**Fig. 19**



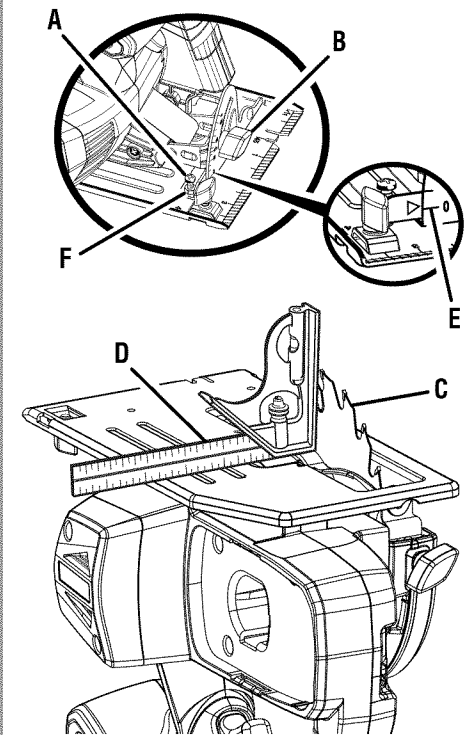
A - Bevel scale (escala de bisel)  
B - Blade guide notch (muesa guía de la hoja)  
C - Bevel lock knob (perilla de fijación del bisel)

**Fig. 20**



A - Lower blade guard handle (mango de la protección inferior de la hoja)  
B - Pocket cut (corte en cavidad)  
C - Lower blade guard (protección inferior de la hoja)

**Fig. 21**



A - Adjustment screw (tornillo de ajuste)  
B - Bevel lock knob (perilla de fijación del bisel)  
C - Blade (hoja)  
D - Carpenter's square (escuadra de carpintero)  
E - 0° bevel scale position (posición a 0° para escala de bisel)  
F - Hex nut (tuerca hexagonal)

# ADVERTENCIAS DE SEGURIDAD PARA HERRAMIENTAS ELÉCTRICAS

**⚠ ADVERTENCIA** Lea las advertencias de seguridad y todas las instrucciones. La inobservancia de las advertencias e instrucciones puede causar descargas eléctricas, incendios o lesiones graves.

Guarde todas las advertencias e instrucciones para consultarlas en el futuro. El término “herramienta eléctrica” en las advertencias se refiere a las herramientas eléctricas que funcionan con corriente (con cordón) o las que funcionan con batería (inalámbricas).

## ÁREA DE TRABAJO

- **Mantenga limpia y bien iluminada el área de trabajo.** Un área de trabajo mal despejada o mal iluminada propicia accidentes.
- **No utilice herramientas motorizadas en atmósferas explosivas, como las existentes alrededor de líquidos, gases y polvos inflamables.** Las herramientas eléctricas generan chispas que pueden encender el polvo y los vapores inflamables.
- **Mantenga alejados a los niños y circunstantes al maniobrar una herramienta eléctrica.** Toda distracción puede causar la pérdida del control de la herramienta.

## SEGURIDAD ELÉCTRICA

- **Las clavijas de las herramientas eléctricas deben corresponder a las tomas de corriente donde se conectan. Nunca modifique la clavija de ninguna forma. No utilice ninguna clavija adaptadora con herramientas eléctricas dotadas de contacto a tierra.** Conectando las clavijas originales en las tomas de corriente donde corresponden se disminuye el riesgo de una descarga eléctrica.
- **Evite el contacto del cuerpo con las superficies de objetos conectados a tierra, como las tuberías, radiadores, estufas y refrigeradores.** Existe un mayor riesgo de descargas eléctricas si el cuerpo está haciendo tierra.
- **No exponga las herramientas eléctricas a la lluvia ni a condiciones de humedad.** La introducción de agua en una herramienta eléctrica aumenta el riesgo de descargas eléctricas.
- **No maltrate el cordón eléctrico. Nunca utilice el cordón para trasladar, desconectar o tirar de la herramienta eléctrica. Mantenga el cordón lejos del calor, aceite, bordes afilados y piezas móviles.** Los cordones eléctricos dañados o enredados aumentan el riesgo de descargas eléctricas.
- **Al utilizar una herramienta eléctrica a la intemperie, use un cordón de extensión apropiado para el exterior.** Usando un cordón adecuado para el exterior se disminuye el riesgo de descargas eléctricas.
- **Si inevitablemente debe utilizar una herramienta eléctrica en un lugar húmedo, utilice un interruptor de circuito con pérdida a tierra (GFCI) para tener un suministro protegido.** El uso de un GFCI disminuye el riesgo de descarga eléctrica.
- **Cargue las baterías solamente con el cargador indicado.** Para utilizar con baterías de iones de litio y baterías de níquel-cadmio de 19,2 V, consulte el folleto de la herramienta/aparato/paquete de baterías/cargador complementario 988000-272.

## SEGURIDAD PERSONAL

- **Permanezca alerta, preste atención a lo que esté haciendo y aplique el sentido común al utilizar herramientas eléctricas. No utilice la herramienta eléctrica si está cansado o se encuentra bajo los efectos de alguna droga, alcohol o medicamento.** Un momento de inatención al utilizar una herramienta eléctrica puede causar lesiones corporales serias.
- **Use equipo de seguridad. Siempre póngase protección ocular.** El uso de equipo de seguridad como mascarilla para el polvo, calzado de seguridad, casco y protección para los oídos en las circunstancias donde corresponda disminuye el riesgo de lesiones.
- **Evite un arranque accidental de la unidad. Asegúrese de que el interruptor esté en la posición de apagado antes de conectar la herramienta.** Portar las herramientas eléctricas con el dedo en el interruptor, o conectarlas con el interruptor puesto, propicia accidentes.
- **Retire toda llave o herramienta de ajuste antes de encender la herramienta eléctrica.** Toda llave o herramienta de ajuste dejada en una pieza giratoria de la herramienta eléctrica puede causar lesiones.
- **No estire el cuerpo para alcanzar mayor distancia. Mantenga una postura firme y buen equilibrio en todo momento.** De esta manera se logra un mejor control de la herramienta eléctrica en situaciones inesperadas.
- **Vístase adecuadamente. No vista ropas holgadas ni joyas. Mantenga el cabello, la ropa y los guantes alejados de las piezas móviles.** Las ropas holgadas, las joyas y el cabello largo pueden engancharse en las piezas móviles.
- **Si se suministran dispositivos para conectar mangueras de extracción y captación de polvo, asegúrese de que éstas estén bien conectadas y se usen correctamente.** La utilización de estos dispositivos puede disminuir los peligros relacionados con el polvo.
- **No vista ropas holgadas ni joyas. Recójase el cabello si está largo.** Las ropas holgadas y las joyas, así como el cabello largo, pueden resultar atraídas hacia el interior de las aberturas de ventilación.
- **No utilice la unidad al estar en una escalera o en un soporte inestable.** Una postura estable sobre una superficie sólida permite un mejor control de la herramienta eléctrica en situaciones inesperadas.

## EMPLEO Y CUIDADO DE LA HERRAMIENTA ELÉCTRICA

- **No fuerce la herramienta eléctrica. Utilice la herramienta eléctrica adecuada para cada trabajo.** La herramienta eléctrica adecuada efectúa mejor y de manera más segura el trabajo, si además se maneja a la velocidad para la que está diseñada.
- **No utilice la herramienta si el interruptor no enciende ni se apaga.** Cualquier herramienta eléctrica que no pueda controlarse con el interruptor es peligrosa y debe repararse.
- **Desconecte la clavija del suministro de corriente o retire el paquete de pilas de la herramienta eléctrica, según sea el caso, antes de efectuarle cualquier ajuste, cambiarle accesorios o guardarla.** Tales medidas preventivas de seguridad reducen el riesgo de poner en marcha accidentalmente la herramienta eléctrica.

# ADVERTENCIAS DE SEGURIDAD PARA HERRAMIENTAS ELÉCTRICAS

- **Guarde las herramientas eléctricas desocupadas fuera del alcance de los niños y no permita que las utilicen personas no familiarizadas con las mismas o con estas instrucciones.** Las herramientas eléctricas son peligrosas en manos de personas no capacitadas en el uso de las mismas.
- **Preste servicio a las herramientas eléctricas. Revise para ver si hay desalineación o atoramiento de piezas móviles, ruptura de piezas o toda otra condición que pueda afectar el funcionamiento de la herramienta. Si está dañada la herramienta eléctrica, llévela a reparar antes de usarla.** Numerosos accidentes son causados por herramientas eléctricas mal cuidadas.
- **Mantenga las herramientas de corte afiladas y limpias.** Las herramientas de corte bien cuidadas y con bordes bien afilados, tienen menos probabilidad de atascarse en la pieza de trabajo y son más fáciles de controlar.
- **Utilice la herramienta eléctrica, los accesorios y brocas, hojas de corte, ruedas de esmeril, etc. de conformidad con estas instrucciones, y de la forma apropiada para cada una de dichas herramientas, tomando en cuenta las condiciones de trabajo y la tarea por realizar.** Si se utiliza la herramienta eléctrica para operaciones diferentes de las indicadas podría originar una situación peligrosa.
- **Utilice las herramientas eléctricas sólo con los paquetes de baterías específicamente indicados.** El empleo de paquetes de baterías diferentes puede presentar un riesgo de incendio.
- **Cuando no esté utilizándose el paquete de baterías, manténgalo lejos de otros objetos metálicos como clips, monedas, llaves, clavos, tornillos y otros objetos metálicos pequeños que puedan establecer conexión entre ambas terminales.** Establecer una conexión directa entre las dos terminales de las baterías puede causar quemaduras o incendios.
- **Si se maltratan las baterías, puede derramarse líquido de las mismas; evite todo contacto con éste. En caso de contacto, lávese con agua. Si el líquido llega a tocar los ojos, además busque atención médica.** El líquido de las baterías puede causar irritación y quemaduras.

## EMPLEO Y CUIDADO DE LA HERRAMIENTA DE BATERÍAS

- **Sólo cargue el paquete de baterías con el cargador especificado por el fabricante.** Un cargador adecuado para un tipo paquete de baterías puede significar un riesgo de incendio si se emplea con un paquete de baterías diferente.

## SERVICIO

- **Permita que un técnico de reparación calificado preste servicio a la herramienta eléctrica, y sólo con piezas de repuesto idénticas.** De esta manera se mantiene la seguridad de la herramienta eléctrica.
- **Al dar servicio a una herramienta eléctrica, sólo utilice piezas de repuesto idénticas. Siga las instrucciones señaladas en la sección Mantenimiento de este manual.** El empleo de piezas no autorizadas o el incumplimiento de las instrucciones de mantenimiento puede significar un riesgo de descarga eléctrica o de lesiones.

# ADVERTENCIAS DE SEGURIDAD SIERRA CIRCULAR

- ⚠ **PELIGRO:** Mantenga las manos alejadas del área de corte y de la hoja. Mantenga la otra mano en el mango auxiliar o en el alojamiento del motor. Si ambas manos están sujetando la sierra, la hoja de corte no puede lesionarlas.
- **No trate de alcanzar nada bajo la pieza de trabajo.** La protección no puede proteger al operador de la hoja bajo la pieza de trabajo.
- **Ajuste la profundidad de corte al espesor de la pieza de trabajo.** Por debajo de la pieza de trabajo, debe verse menos de un diente completo de la hoja.
- **Nunca sujete la pieza de trabajo con las manos ni puesta en la pierna. Asegure la pieza de trabajo en una plataforma estable.** Es importante apoyar correctamente la pieza para reducir al mínimo la exposición del cuerpo, el atoramiento de la hoja y la pérdida de control.
- **Sólo sostenga la herramienta eléctrica desde las superficies de empuñadura aisladas cuando ejecute una operación en la que la herramienta de corte pudiera entrar en contacto con cables ocultos.** El contacto con un cable "vivo" también hará que las piezas metálicas expuestas de la herramienta eléctrica "tomen corriente" y el operador sufrirá una descarga eléctrica.
- **Al cortar al hilo siempre utilice una guía de bordes o una guía recta.** Esto mejora la precisión del corte y reduce la posibilidad de que la hoja se atasque.
- **Use siempre hojas con orificios del árbol del tamaño y la forma correctos (con forma de diamante o redonda).** Las hojas que no coinciden con los elementos de montaje de la sierra funcionarán de forma excéntrica, ocasionando la pérdida de control.
- **Nunca utilice un perno o arandelas de la hoja que estén dañados o sean incorrectos.** Las arandelas y el perno de la hoja fueron diseñados especialmente para su sierra, para ofrecer un rendimiento óptimo y seguridad en el funcionamiento.

## CAUSAS Y PREVENCIÓN DE CONTRAGOLPES:

El contragolpe es una reacción súbita a un pellizcamiento, atoramiento o desalineación de la hoja de la sierra, lo cual causa el descontrol, levantamiento y salida de la misma de la pieza de trabajo, hacia el operador.

Cuando el corte al irse cerrando pellizca o atora ajustadamente la hoja de corte, ésta tiende a detenerse y la reacción del motor impulsa de forma rápida y violenta la unidad hacia el operador.

Si la hoja se tuerce o desalinea en el corte, los dientes situados en el borde posterior de la hoja pueden encajarse en la superficie externa de la madera, causando de esta manera la salida de la hoja fuera del corte y un salto de la misma hacia el operador.

El mal uso de la sierra ocasionará un contragolpe y/o de procedimientos o condiciones de trabajo incorrectas, y puede evitarse tomando las medidas de precaución adecuadas, como las señales abajo:

# ADVERTENCIAS DE SEGURIDAD SIERRA CIRCULAR




- **Sujete firmemente la sierra con ambas manos y coloque sus brazos de manera tal que resista la fuerza del contragolpe. Coloque su cuerpo a un costado de la hoja y no alineado con ésta.** El contragolpe puede ocasionar que la sierra salte hacia atrás. Sin embargo, el operador puede controlar la fuerza del contragolpe si toma las precauciones apropiadas.
- **Cuando esté atorándose la hoja, o esté interrumpiéndose el corte por alguna razón, suelte el gatillo y mantenga inmóvil la sierra en el material hasta que se detenga completamente la sierra. Nunca intente retirar la sierra de la pieza de trabajo ni tirar de la misma hacia atrás mientras esté en movimiento la hoja de corte, ya que puede ocasionar un contragolpe.** Investigue y tome las medidas correctivas adecuadas para eliminar la causa del atoramiento de la hoja.
- **Al volver a arrancar la sierra en la pieza de trabajo, centre la hoja en el corte y verifique que los dientes de la misma no estén encajados en el material.** Si la sierra está atorándose, puede salirse de la pieza de trabajo o dar un contragolpe al volverse a rearrancar.
- **Apoye debidamente los paneles grandes para reducir al mínimo el riesgo de un pellizcamiento de la hoja de corte y de un contragolpe.** Los paneles grandes tienden a combarse bajo su propio peso. Deben colocarse soportes bajo ambos lados del panel, cerca de la línea de corte y de la orilla del mismo.
- **No utilice hojas de corte desafiladas o dañadas.** Las hojas de corte desafiladas o triscadas de forma incorrecta producen un corte angosto con la consiguiente fricción excesiva, atoramiento de la hoja misma y contragolpe.
- **Las palancas de bloqueo de ajuste de profundidad y de biselado deben estar apretadas y aseguradas antes de efectuarse el corte.** Si cambia el ajuste de la hoja durante el corte, puede causarse el atoramiento de la misma y un contragolpe.
- **Tenga precaución extra al efectuar cortes de penetración en paredes o en otras partes ciegas (sin vista por ambos lados).** La parte sobresaliente de la hoja puede cortar objetos que pueden causar un contragolpe.
- **Cada vez antes de utilizar la unidad verifique que cierre correctamente la protección inferior. No utilice la sierra si la protección inferior no se mueve libremente y no cierra instantáneamente. Nunca asegure de ninguna forma la protección inferior en la posición abierta.** Si se deja caer accidentalmente la sierra, la protección inferior puede sufrir un doblamiento. Suba la protección inferior con el mango retractor y asegúrese de que se mueve libremente y no toca la hoja de corte ni ninguna otra parte, en todos los ángulos y profundidades de corte.
- **Verifique el funcionamiento del resorte de la protección inferior. Si la protección y el resorte no funcionan correctamente, debe proporcionárseles servicio antes de utilizar la unidad.** La protección inferior puede moverse con lentitud debido a piezas dañadas, depósitos gomosos o acumulación de desechos.
- **El protector inferior se deberá retraer manualmente sólo en el caso de cortes especiales como “cortes de penetración” y “cortes compuestos”.** Levante el protector inferior retrayendo el mango y, ni bien la hoja ingrese en el material, libere el protector inferior. Para todas las demás operaciones de aserrado, el protector inferior se deberá operar automáticamente.
- **Siempre asegúrese de que la protección inferior esté cubriendo la hoja de corte antes de colocar la sierra en un banco de trabajo o en el piso.** Si la hoja no está protegida y está aún en movimiento, la sierra avanza hacia atrás y corta cualquier objeto situado en su trayecto. Tenga presente el tiempo requerido por la hoja para detenerse después de soltarse el interruptor.

## REGLAS ADICIONALES DE SEGURIDAD








- **Utilice prensas o cualquier otro medio práctico de asegurar y sostener la pieza de trabajo en una plataforma segura.** Sostener la pieza con la mano o contra el cuerpo lo hace inestable y puede causar una pérdida de control.
- **Familiarícese con su herramienta eléctrica. Lea cuidadosamente el manual del operador. Aprenda sus usos y limitaciones, así como los posibles peligros específicos de esta herramienta.** Con el cumplimiento de esta regla se reduce el riesgo de una descarga eléctrica, incendio o lesión seria.
- **Siempre póngase protección ocular con protectores laterales con la marca de cumplimiento de la norma ANSI Z87.1 junto con protección para los oídos.** Con el cumplimiento de esta regla se reduce el riesgo de lesiones corporales serias.
- **Protéjase los pulmones. Use una careta o mascarilla contra el polvo si la operación genera mucho polvo.** Con el cumplimiento de esta regla se reduce el riesgo de lesiones serias.
- **Protéjase los oídos. Durante períodos prolongados de utilización del producto, póngase protección para los oídos.** Con el cumplimiento de esta regla se reduce el riesgo de lesiones corporales serias.
- **No se necesita conectar a una toma de corriente las herramientas de baterías; por lo tanto, siempre están en condiciones de funcionamiento. Esté consciente de los posibles peligros cuando no esté usando la herramienta de baterías o cuando esté cambiando los accesorios de la misma.** Con el cumplimiento de esta regla se reduce el riesgo de una descarga eléctrica, incendio o lesión corporal seria.
- **Inspeccione la madera y elimine todos los clavos presentes en la misma antes de usar esta herramienta.** Con el cumplimiento de esta regla se reduce el riesgo de lesiones serias.
- **Guarde estas instrucciones.** Consúltelas con frecuencia y empléelas para instruir a otras personas que puedan utilizar esta herramienta. Si presta a alguien esta herramienta, facilítele también las instrucciones.

# SÍMBOLOS

Las siguientes palabras de señalización y sus significados tienen el objeto de explicar los niveles de riesgo relacionados con este producto.

SÍMBOLO	SEÑAL	SIGNIFICADO
	<b>PELIGRO:</b>	Indica una situación peligrosa inminente, la cual, si no se evita, causará la muerte o lesiones serias.
	<b>ADVERTENCIA:</b>	Indica una situación peligrosa posible, la cual, si no se evita, podría causar la muerte o lesiones serias.
	<b>PRECAUCIÓN:</b>	Indica una situación potencialmente peligrosa la cual, si no se evita, puede causar lesiones leves o moderadas.
	<b>AVISO:</b>	(Sin el símbolo de alerta de seguridad) Indica información importante no relacionada con ningún peligro de lesiones, como una situación que puede ocasionar daños físicos.

Es posible que se empleen en este producto algunos de los siguientes símbolos. Le suplicamos estudiarlos y aprender su significado. Una correcta interpretación de estos símbolos le permitirá utilizar mejor y de manera más segura el producto.

SÍMBOLO	NOMBRE	DENOMINACIÓN/EXPLICACIÓN
	Alerta de seguridad	Indica un peligro posible de lesiones personales.
	Lea el manual del operador	Para reducir el riesgo de lesiones, el usuario debe leer y comprender el manual del operador antes de usar este producto.
	Protección ocular	Siempre póngase protección ocular con protección lateral con la marca de cumplimiento de la norma ANSI Z87.1.
	Alerta de condiciones húmedas	No exponga la unidad a la lluvia ni la use en lugares húmedos.
	Símbolo de no acercar las manos	Si no mantiene las manos alejadas de la hoja de corte, se causará serias lesiones corporales.
	Símbolos reciclar	Este producto contiene baterías de níquel-cadmio (Ni-Cd) o iones de litio (Li-ion). Es posible que algunas leyes municipales, estatales o federales prohíban desechar las baterías de níquel-cadmio en la basura normal. Consulte a las autoridades reguladoras de desechos para obtener información en relación con las alternativas de reciclado y desecho disponibles.
	Corriente continua	Tipo o característica de corriente
$n_0$	Velocidad en vacío	Velocidad de rotación, en vacío
.../min	Por minuto	Revoluciones, carreras, velocidad superficial, órbitas, etc., por minuto
V	Volts	Voltaje
A	Amperes	Corriente
Hz	Hertz	Frecuencia (ciclos por segundo)
min	Minutos	Tiempo

# CARACTERÍSTICAS

## ESPECIFICACIONES DEL PRODUCTO

Motor ..... 19,2 V c.c.  
Diámetro de la hoja ..... 165 mm (6-1/2 pulg.)  
Árbol de la hoja de corte ..... 16 mm (5/8 pulg.)

Profundidad de corte a 0° ..... 52 mm (2-1/16 pulg.)  
Profundidad de corte a 45° ..... 37 mm (1-7/16 pulg.)  
Velocidad en vacío ..... 4 700 /min. (RPM)

## FAMILIARÍCESE CON LA SIERRA CIRCULAR

*Vea la figura 1, página i.*

Para usar este producto con la debida seguridad se debe comprender la información indicada en la herramienta misma y en este manual, y se debe comprender también el trabajo que intenta realizar. Antes de usar este producto, familiarícese con todas las características de funcionamiento y normas de seguridad del mismo.

## AJUSTE DE BISEL

El ajuste de bisel permite configurar la sierra circular para efectuar cortes a bisel de 0° a 50°.

## LUGAR GUARDAR LA LLAVE DE LA HOJA

Conveniente lugar para guardar la llave, para cambios rápidos de hoja.

## PERILLA DE AJUSTE DE PROFUNDIDAD

Sirve para fijar la profundidad de , 0 a 40 mm (0 pulg. a 2-1/16 pulg).

## BOTÓN DEL SEGURO DE APAGADO

El botón del seguro de apagado reduce la posibilidad de un arranque accidental.

## BOTÓN DEL SEGURO DEL HUSILLO

El botón del seguro del husillo permite asegurar la hoja de corte mientras se gira el perno de la misma.

## ESCALA DE ANCHURA DE CORTE

Al efectuar cortes rectos transversales o al hilo, puede utilizarse la escala para medir hasta 101,6 mm (4 pulg.) al lado derecho de la hoja. Puede emplearse para medir hasta 25 mm (1 pulg.) al lado izquierdo de la hoja.

# ARMADO

## DESEMPAQUETADO

Este producto requiere armarse.

- Extraiga cuidadosamente de la caja la herramienta y los accesorios. Asegúrese de que estén presentes todos los artículos enumerados en la lista de empaquetado.

**⚠ ADVERTENCIA:** No utilice este producto si alguna pieza incluida en la lista de piezas sueltas ya está ensamblada al producto cuando lo desempaqueta. El fabricante no ensambla las piezas de esta lista en el producto. Éstas deben ser instaladas por el usuario. El uso de un producto que puede haber sido ensamblado de forma inadecuada podría causar lesiones personales graves.

- Inspeccione cuidadosamente la herramienta para asegurarse de que no haya sufrido ninguna rotura o daño durante el transporte.
- No deseche el material de empaquetado hasta que haya inspeccionado cuidadosamente la herramienta y la haya utilizado satisfactoriamente.
- Si hay piezas dañadas o faltantes, le suplicamos llamar al 1-800-932-3188, donde le brindaremos asistencia.

## LISTA DE EMPAQUETADO

Sierra circular  
Hoja de 6-1/2 pulg.  
Llave de la hoja  
Manual del operador

**⚠ ADVERTENCIA:** Si falta o está dañada alguna pieza, no utilice este producto sin haber reemplazado la pieza. Usar este producto con falta o está dañada alguna pieza podría tener como resultado herida personal grave.

**⚠ ADVERTENCIA:** No intente modificar esta herramienta ni hacer accesorios no recomendados para la misma. Cualquier alteración o modificación constituye maltrato el cual puede causar una condición peligrosa, y como consecuencia posibles lesiones corporales serias.

**⚠ ADVERTENCIA:** Para evitar un arranque accidental que podría causar lesiones corporales serias, siempre desmonte de el producto el paquete de baterías al montarle piezas a aquélla.

# ARMADO

## MONTAJE DE LA HOJA

Vea la figura 2, página i.

**⚠ ADVERTENCIA:** La máxima capacidad de diámetro de hoja de la sierra es 165 mm (6-1/2 pulg.). Nunca utilice una hoja tan gruesa que la arandela exterior de la hoja no se enganche en las partes planas del husillo. Las hojas más grandes tocan la protección de la hoja, y las más gruesas impiden asegurarlas con el perno correspondiente en el husillo. Cualquiera de estas dos situaciones puede causar un accidente serio.

- Retire de la sierra el paquete de baterías.
- Retire de su lugar de almacenamiento la llave de la hoja de corte (la llave hexagonal de 5 mm).
- Oprima el seguro del husillo y retire el tornillo y la arandela exterior de la hoja.

**NOTA:** Gire el tornillo de la hoja hacia la derecha para retirarlo.

**AVISO:** Para evitar dañar el husillo o el seguro del mismo, siempre deje que el motor se detenga completamente antes de enganchar el seguro.

**NOTA:** No ponga a funcionar la sierra circular con el seguro del husillo puesto.

- Unte una gota de aceite en las arandelas interior y exterior de la hoja, donde tocan ésta.

**⚠ ADVERTENCIA:** Si retiró la arandela interior de la hoja, vuelva a colocarla antes de instalar la hoja en el husillo. El mayor diámetro del arandela interior de la hoja debe ser colocado contra la hoja. Si no lo hace podría producirse un accidente ya que la hoja no se apretaría correctamente.

- Acomode la hoja de la sierra dentro de la protección inferior, y luego móntela en el husillo.

**NOTA:** The saw teeth point upward at the front of saw as shown in figure 2.

- Vuelva a colocar la arandela exterior de la hoja.
- Oprima el botón del seguro del husillo y vuelva a colocar el tornillo de la hoja. Apriete firmemente el tornillo de la hoja girándolo hacia la izquierda.
- Regrese la llave de la hoja al compartimiento.

**NOTA:** Nunca utilice una hoja tan gruesa que no pueda acoplarse la rondana exterior de la hoja en las partes planas del husillo.

## DESMONTAJE DE LA HOJA

Vea la figura 3, página i.

- Retire de la sierra el paquete de baterías.
- Extraiga del compartimiento la llave de la hoja de corte.
- Coloque la sierra como se muestra, oprima el botón del seguro del husillo, y retire el tornillo de la hoja girándolo a la derecha.
- Retire la arandela exterior de la hoja.
- Retire la hoja.



# FUNCIONAMIENTO

**⚠ ADVERTENCIA:** No permita que su familiarización con los productos lo vuelva descuidado. Tenga presente que un descuido de un instante es suficiente para causar una lesión grave.

**⚠ ADVERTENCIA:** Siempre retire el paquete de baterías de la herramienta cuando esté ensamblando partes, realizando ajustes, limpiando o cuando ésta no esté en uso. Retirando el paquete de baterías se evita arrancar accidentalmente la unidad, lo cual puede causar lesiones serias.

**⚠ ADVERTENCIA:** Siempre póngase protección ocular con protección lateral con la marca de cumplimiento de la norma ANSI Z87.1. Si no cumple esta advertencia, los objetos que salen despedidos pueden producirle lesiones serias en los ojos.

## APLICACIONES

Este producto puede emplearse para los fines siguientes:

- Corte de todos tipos de productos de madera (tablas, contrachapada y paneles)
- Cortes transversales y al hilo
- Cortes con bisel
- Corte en cavidad

**⚠ ADVERTENCIA:** Nunca utilice discos de trocear abrasivos de ninguna clase con esta sierra. De usarse hojas de corte no diseñadas para madera puede ocasionar daños físicos o graves lesiones personales.

Este producto acepta los paquetes de baterías Craftsman® de iones de litio de 19,2 V y los paquetes de baterías Craftsman® de níquel-cadmio de 19,2 V.

Para conocer todas las instrucciones de carga, consulte el Manual del operador correspondiente a su modelo de paquete de baterías y cargador.

**⚠ ADVERTENCIA:** Las herramientas de baterías siempre están en condiciones de funcionamiento. Bloquee el interruptor cuando no esté en uso o lo lleve a su lado, al instalar o extraer el paquete de baterías y al instalar o extraer brocas.

## INSTALACIÓN / DESMONTAR DEL PAQUETE DE BATERÍAS

*Vea la figura 4, página i.*

- Coloque el paquete de baterías en la sierra. Alinee la costilla realzada del paquete de baterías con la ranura existente en el interior de la sierra, y después introduzca el paquete en la sierra.

- Asegúrese de que los pestillos situados en ambos lados del paquete de baterías entren completamente en su lugar con un chasquido y de que el paquete quede bien fijo en la sierra antes de empezar a utilizar ésta.
- Oprima los pestillos para extraer el paquete de baterías.

## CONTRAGOLPE

*Vea las figuras 5 a 8, página i y ii.*

El contragolpe sucede cuando la hoja se detiene rápidamente y la sierra sale empujada hacia el operador. El atoramiento de la hoja es causado por cualquier acción que produzca el pellizcamiento de la hoja en la madera.

**⚠ PELIGRO:** Si la hoja se atora o se detiene la sierra, suelte de inmediato el interruptor. El contragolpe podría causar la pérdida de control de la sierra. La pérdida de control puede originar lesiones serias.

**Para protegerse y evitar contragolpes, evite prácticas peligrosas como las siguientes:**

- Ajustar de forma incorrecta la profundidad de la hoja.
- Cortar nudos o clavos contenidos en la pieza de trabajo.
- Torcer la hoja al efectuar un corte.
- Cortar con una hoja desafilada, mal triscada o cubierta de goma.
- Apoyar de forma incorrecta la pieza de trabajo.
- Efectuar cortes forzados.
- Cortar madera combada o húmeda.
- Utilizar la herramienta de forma incorrecta o para un uso inadecuado.

**Para disminuir el peligro de un contragolpe, siga estas prácticas de seguridad:**

- Mantenga la hoja a un ajuste de profundidad correcto. El ajuste de profundidad no debe sobrepasar 1/4 pulg. (6,4 mm) por abajo de la pieza de trabajo.
- Inspeccione la pieza de trabajo para ver si contiene nudos o clavos antes de empezar a cortar. Nunca corte nudos ni clavos.
- Corte en línea recta. Siempre utilice una guía recta al efectuar cortes al hilo. Esto ayuda a evitar el torcimiento de la hoja.
- Use hojas limpias, afiladas y triscadas correctamente. Nunca efectúe cortes con hojas sin filo.
- Apoye adecuadamente la pieza de trabajo antes de iniciar un corte.
- Aplique una presión estable y uniforme al efectuar el corte. Nunca efectúe cortes forzados.
- No corte madera combada o húmeda.

# FUNCIONAMIENTO

- Sujete firmemente la sierra con ambas manos y mantenga el cuerpo en una postura bien equilibrada de manera que pueda resistir las fuerzas de un contragolpe si llegara a ocurrir.

**⚠ ADVERTENCIA:** Al utilizar la sierra siempre permanezca alerta y en control de la herramienta. No retire la sierra de la pieza de trabajo mientras continúe en movimiento la hoja.

## HOJAS DE SIERRA

Incluso las mejores hojas para sierra no cortan eficientemente si no se mantienen, limpias, afiladas y debidamente triscadas. Si se utiliza una hoja desafilada se le impone una carga muy pesada a la sierra y se aumenta el peligro de un contragolpe. Mantenga hojas extra a la mano, de manera que siempre haya hojas afiladas disponibles.

La goma y la resina endurecidas en las hojas hacen más lenta la sierra. Retire la hoja de la sierra y utilice limpiador de goma y de resina, agua caliente o queroseno para limpiar la acumulación de aquéllas. **NO UTILICE GASOLINA.**

## SISTEMA DE PROTECCIÓN DE LA HOJA

*Vea la figura 9, página ii.*

La protección inferior montada en la sierra circular es para protegerlo a usted y para su seguridad. No la altere de ninguna forma. Si se daña, no utilice la sierra hasta que haya reparado o reemplazado la protección, según sea necesario. Siempre deje la protección en la posición de trabajo al utilizar la sierra.

**⚠ PELIGRO:** Al cortar de lado a lado, la protección inferior no cubre la hoja por dicho lado de la pieza de trabajo. Puesto que la hoja queda expuesta por la parte inferior de la pieza de trabajo, mantenga las manos y los dedos alejados del área de corte. Cualquier parte del cuerpo que toque la hoja en movimiento puede resultar lesionada seriamente.

**⚠ PRECAUCIÓN:** Nunca utilice la sierra cuando no esté funcionando correctamente la protección. Siempre verifique el funcionamiento de la protección cada vez antes de utilizar la herramienta. La protección funciona correctamente cuando se mueve libremente y regresa de inmediato a la posición cerrada. Si deja caer la sierra, revise la protección inferior de la hoja y el parachoques para ver si tienen daños en todos los ajustes de la profundidad antes de volver a usar la unidad.

Si la protección inferior de la hoja no se cierran automáticamente, retire el paquete de baterías de la sierra. Afloje la protección inferior girándola rápidamente hacia adelante desde la posición totalmente abierta a la posición cerrada. Normalmente esto restaurará la guardia a su

condición de funcionamiento normal. Si no se soluciona un guardia lento o perezoso, no utilice la sierra. Llévelo a una persona del servicio autorizado.

## ENCENDIDO Y APAGADO DE LA SIERRA

*Vea la figura 10, página ii.*

### Para arrancar la sierra:

- Oprima el botón del seguro de apagado.
- Oprima el gatillo del interruptor.

Siempre permita que la hoja alcance su velocidad máxima, y hasta después introdúzcala en la pieza de trabajo.

**⚠ ADVERTENCIA:** Si la hoja toca la pieza de trabajo antes de alcanzar la velocidad máxima, podría causar un contragolpe de la sierra hacia usted y podría producirle lesiones graves.

**Para apagar la sierra:** Suelte el gatillo del interruptor. Después de soltar el gatillo del interruptor permita que se detenga completamente la hoja de corte. **No retire la sierra de la pieza de trabajo mientras continúe en movimiento la hoja.**

## BOTÓN DEL SEGURO DE APAGADO

*Vea la figura 10, página ii.*

El botón del seguro de apagado reduce la posibilidad de un arranque accidental. El botón del seguro de apagado se encuentra en el mango, arriba del gatillo del interruptor. Debe oprimir el botón del seguro de apagado antes de oprimir el gatillo del interruptor. El seguro se autoengancha cada vez que se suelta el gatillo.

**NOTA:** El botón del seguro de apagado puede oprimirse desde cualquier lado, el izquierdo o el derecho.

## AJUSTE DE LA PROFUNDIDAD DE LA HOJA

*Vea la figura 11, página ii.*

Siempre mantenga la hoja a un ajuste de profundidad correcto. Para todo tipo de cortes, la hoja no debe sobrepasar 1/4 pulg. (6,4 mm) por abajo de la pieza de trabajo. Cuanto mayor es la profundidad de la hoja mayor es la posibilidad de un contragolpe y de un corte áspero. Para mayor precisión de la profundidad de corte se incluye una escala en la parte posterior de la protección superior de la hoja.

- Retire el paquete de baterías de la sierra.
- Afloje la perilla de ajuste de profundidad.
- Determine la profundidad de corte deseada.
- Localice la escala de profundidad de corte, en la parte posterior de la protección superior de la hoja.
- Mantenga horizontal la base contra la pieza de trabajo y suba o baje la sierra hasta que la marca indicadora se alinee con la muesca de la protección de la hoja.
- Apriete firmemente la perilla de ajuste de profundidad.

# FUNCIONAMIENTO

## UTILIZACIÓN DE LA SIERRA

Vea las figuras 12 a 14, página ii.

Es importante comprender la forma correcta de utilizar la sierra. Consulte las figuras de esta sección para ver las formas correctas e incorrectas de manejar la sierra.

**⚠ PELIGRO:** Al levantar la sierra de la pieza de trabajo, la hoja queda expuesta en la parte inferior de la sierra hasta que cierra la protección inferior de la hoja. Asegúrese de que la protección inferior cierre antes de dejar en reposo la sierra.

**⚠ ADVERTENCIA:** Para efectuar los cortes de forma más fácil y más segura, siempre mantenga un control adecuado de la sierra. La pérdida de control podría causar un accidente, y como consecuencia posibles lesiones corporales serias.

Para efectuar el mejor corte que sea posible, siga estas útiles sugerencias:

- Sujete la sierra firmemente con ambas manos.
- Evite colocar la mano sobre la pieza de trabajo al efectuar un corte.
- Apoye la pieza de trabajo de manera que el corte (la ranura) le quede siempre al lado de usted.
- Apoye la pieza de trabajo cerca del corte.
- Sujete firmemente la pieza de trabajo con prensas de manera que no se mueva durante el trabajo.
- Siempre coloque la sierra en la sección apoyada de la pieza de trabajo, no en la que va a desecharse.
- Coloque la pieza de trabajo con el lado “bueno” hacia abajo.
- Trace una línea guía a lo largo de la línea de corte antes de iniciar éste.

## CORTES TRANSVERSALES Y AL HILO

Vea la figura 15, página ii.

Al efectuar un corte transversal o al hilo, alinee la línea de corte con la muesca guía exterior de la base.

Puesto que el espesor de las hojas varía, siempre efectúe un corte de prueba en material desechable a lo largo de una línea guía para determinar qué tanto debe desplazar la línea guía para producir un corte preciso.

**NOTA:** La distancia existente de la línea de corte a la línea guía es la distancia que debe desplazar la guía.

## CORTES AL HILO

Vea la figura 16, página ii.

Al efectuar cortes al hilo largos o anchos con la sierra utilice una guía.

- Asegure la pieza de trabajo.
- Sujete una recta de bordes a la pieza de trabajo mediante prensas de mano.
- Corte a lo largo de la pieza recta para lograr un corte recto al hilo.

**NOTA:** No permita que se atore la hoja en el corte.

## ESCALA DE ANCHURA DE CORTE

Vea la figura 17, página iii.

La base de la sierra dispone de una escala de anchura de corte. Al efectuar cortes rectos transversales o al hilo, puede utilizarse la escala para medir hasta 101,6 mm (4 pulg.) al lado derecho de la hoja. Puede emplearse para medir hasta 25 mm (1 pulg.) al lado izquierdo de la hoja.

## CORTE A BISEL

Vea las figuras 18 y 19, página iii.

- Alinee la línea de corte con la muesca guía interior de la base al efectuar cortes a bisel de 45°.
- Efectúe un corte de prueba en material desechable a lo largo de una línea guía para determinar qué tanto debe desplazar la línea guía en la pieza de trabajo.
- Ajuste el ángulo de corte a cualquier grado deseado entre cero y 50°. Consulte el apartado **Ajuste del ángulo de bisel** a continuación.

## AJUSTE DEL ÁNGULO DE BISEL

Vea la figura 18, página iii.

- Retire el paquete de baterías de la sierra.
- Afloje la perilla de ajuste de bisel.
- Suba el alojamiento del motor hasta que alcance el ángulo deseado en la escala de bisel.
- Apriete firmemente la perilla de ajuste de bisel.

**⚠ ADVERTENCIA:** Intentar efectuar un corte a bisel sin tener la perilla de ajuste del mismo apretada firmemente puede producir lesiones serias.

## FORMA DE EFECTUAR CORTES A BISEL

Vea la figura 19, página iii.

- Sujete la sierra firmemente con ambas manos, como se muestra.
- Deje descansar el borde frontal de la base en la pieza de trabajo.
- Encienda la sierra y permita a la hoja alcanzar su velocidad máxima.
- Guíe la sierra introduciéndola en la pieza de trabajo y efectúe el corte.

# FUNCIONAMIENTO

- Suelte el gatillo y permita que se detenga completamente la hoja de corte.
- Levante la sierra de la pieza de trabajo.

## CORTE EN CAVIDAD

Veá la figura 20, página iii.

**⚠ ADVERTENCIA:** Siempre ajuste el ángulo de biselado a cero antes de efectuar un corte en cavidad. Si se intenta efectuar un corte en cavidad a cualquier otro ángulo puede producirse una pérdida de control de la sierra, y por consecuencia posibles lesiones serias.

- Retire el paquete de baterías de la sierra.
- Ajuste el ángulo de bisel a cero.
- Ajuste la hoja a la profundidad correcta.
- Réinstalar el paquete de batería.
- Suba la protección inferior de la hoja con la manija correspondiente.

**NOTA:** Siempre suba la protección inferior de la hoja con la manija para evitar lesiones serias.

- Sostenga la protección inferior de la hoja con la manija mientras sujete firmemente la sierra con ambas manos, como se muestra.

**⚠ ADVERTENCIA:** Nunca extienda los dedos al tener el asidero más bajo de guardia de hoja. Extender los dedos pueden tener como resultado el contacto con la hoja, por consecuencia posibles lesiones serias.

- Deje descansar la parte frontal de la base contra la pieza de trabajo, con la parte posterior del mango elevada de manera que la hoja no toque la pieza de trabajo.
- Encienda la sierra y permita a la hoja alcanzar su velocidad máxima.
- Guíe la sierra introduciéndola en la pieza de trabajo, suelte el mango de la protección inferior de la hoja, y efectúe el corte.

**⚠ ADVERTENCIA:** Siempre corte avanzando hacia adelante al efectuar cortes en cavidad. Si corta retrocediendo la sierra podría subirse a la pieza de trabajo y lanzarse contra usted.

- Suelte el gatillo y permita que se detenga completamente la hoja de corte.
- Levante la sierra de la pieza de trabajo.
- Termine las esquinas con una sierra de mano o con una de vaivén.

**⚠ ADVERTENCIA:** Nunca fije o reten la protección inferior de la hoja en la posición elevada. Si se deja expuesta la hoja pueden originarse lesiones serias.

---

## CALIFORNIA - PROPUESTA DE LEY NÚM. 65

**⚠ ADVERTENCIA:** Este producto y algunos polvos generados al efectuarse operaciones de lijado, aserrado, esmerilado, taladrado y otras actividades de la construcción, contienen sustancias químicas reconocidas por el estado de California como causantes de cáncer, defectos congénitos y otras afecciones del aparato reproductor. **Lávese las manos después de utilizar el aparato.**

Algunos ejemplos de estas sustancias químicas son:

- plomo de las pinturas a base de plomo,
- sílice cristalino de los ladrillos, del cemento y de otros productos de albañilería, y
- arsénico y cromo de la madera químicamente tratada.

El riesgo de la exposición a estos compuestos varía, según la frecuencia con que se realice este tipo de trabajo. Para reducir la exposición personal, trabaje en áreas bien ventiladas, y con equipo de seguridad aprobado, tal como las caretas para el polvo especialmente diseñadas para filtrar partículas microscópicas.

# AJUSTES

**⚠ ADVERTENCIA:** Antes de efectuar cualquier ajuste, asegúrese de haber retirado de la herramienta el paquete de baterías. La falta de atención a esta advertencia podría causar lesiones corporales graves.

## TOPE DE BISEL A 0°

*Vea la figura 21, página iii.*

La sierra dispone de un tope de bisel a 0° ajustado en la fábrica con el fin de asegurar un ángulo de 0° al efectuar cortes a 0° (ángulo recto).

### Revisión del tope de bisel a 0°:

- Retire el paquete de baterías de la sierra.
- Coloque la sierra en posición invertida sobre el banco de trabajo.

- Con una escuadra de carpintero verifique la perpendicularidad de la plato de la hoja con respecto a la base.

### Ajuste del tope de bisel a 0°:

- Retire el paquete de baterías de la sierra.
- Afloje la perilla de ajuste de bisel.
- Afloje la tuerca hexagonal que sujeta el tornillo de ajuste.
- Gire el tornillo fijador con la llave hexagonal y ajuste la base hasta dejarla a escuadra con el plato de la hoja de la sierra.
- Apriete firmemente la tuerca hexagonal y la perilla de ajuste de bisel.

**⚠ ADVERTENCIA:** Intentar efectuar un corte a bisel sin tener la perilla de ajuste del mismo apretada firmemente puede producir lesiones serias.

# MANTENIMIENTO

**⚠ ADVERTENCIA:** Al dar servicio a la unidad, sólo utilice piezas de repuesto idénticas. El empleo de piezas diferentes puede causar un peligro o dañar el producto.

**⚠ ADVERTENCIA:** Siempre póngase protección ocular con protección lateral con la marca de cumplimiento de la norma ANSI Z87.1. Si no cumple esta advertencia, los objetos que salen despedidos pueden producirle lesiones serias en los ojos.

**⚠ ADVERTENCIA:** Para evitar lesiones corporales serias, siempre retire el paquete de baterías de la herramienta al limpiarla o darle mantenimiento.

## MANTENIMIENTO GENERAL

Evite el empleo de solventes al limpiar piezas de plástico. La mayoría de los plásticos son susceptibles a diferentes tipos de solventes comerciales y pueden resultar dañados. Utilice paños limpios para eliminar la suciedad, el polvo, el aceite, la grasa, etc.

**⚠ ADVERTENCIA:** No permita en ningún momento que fluidos para frenos, gasolina, productos a base de petróleo, aceites penetrantes, etc., lleguen a tocar las piezas de plástico. Las sustancias químicas pueden dañar, debilitar o destruir el plástico, lo cual a su vez puede producir lesiones corporales serias.

# ACCESORIOS

Estos accesorios pueden encontrarse en el centro de servicio Sears:

- Hoja de 5-1/2 pulg. de corte delgado
- Guía de cantos

**⚠ ADVERTENCIA:** Arriba se señalan los aditamentos y accesorios disponibles para usarse con este producto. No utilice ningún aditamento o accesorio no recomendado por el fabricante de este producto. El empleo de aditamentos o accesorios no recomendados podría causar lesiones serias.





# Get it fixed, at your home or ours!

## Your Home

For expert troubleshooting and home solutions advice:

**manage my home**

[www.managemyhome.com](http://www.managemyhome.com)

For repair – **in your home** – of **all** major brand appliances, lawn and garden equipment, or heating and cooling systems, **no matter who made it, no matter who sold it!**

For the replacement parts, accessories and owner's manuals that you need to do-it-yourself.

For Sears professional installation of home appliances and items like garage door openers and water heaters.

**1-800-4-MY-HOME<sup>®</sup>** (1-800-469-4663)

Call anytime, day or night (U.S.A. and Canada)

[www.sears.com](http://www.sears.com)    [www.sears.ca](http://www.sears.ca)

## Our Home

For repair of carry-in items like vacuums, lawn equipment, and electronics, call anytime for the location of your nearest

**Sears Parts & Repair Service Center**

**1-800-488-1222** (U.S.A.)

[www.sears.com](http://www.sears.com)

**1-800-469-4663** (Canada)

[www.sears.ca](http://www.sears.ca)

To purchase a protection agreement on a product serviced by Sears:

**1-800-827-6655** (U.S.A.)

**1-800-361-6665** (Canada)

Para pedir servicio de reparación a domicilio, y para ordenar piezas:

**1-888-SU-HOGAR<sup>®</sup>**

(1-888-784-6427)

Au Canada pour service en français:

**1-800-LE-FOYER<sup>MC</sup>**

(1-800-533-6937)

[www.sears.ca](http://www.sears.ca)

**Sears**

® Registered Trademark / <sup>TM</sup> Trademark / <sup>SM</sup> Service Mark of Sears Brands, LLC

© Marca Registrada / <sup>TM</sup> Marca de Fábrica / <sup>SM</sup> Marca de Servicio de Sears Brands, LLC

<sup>MC</sup> Marque de commerce / <sup>MD</sup> Marque déposée de Sears Brands, LLC

© Sears Brands, LLC