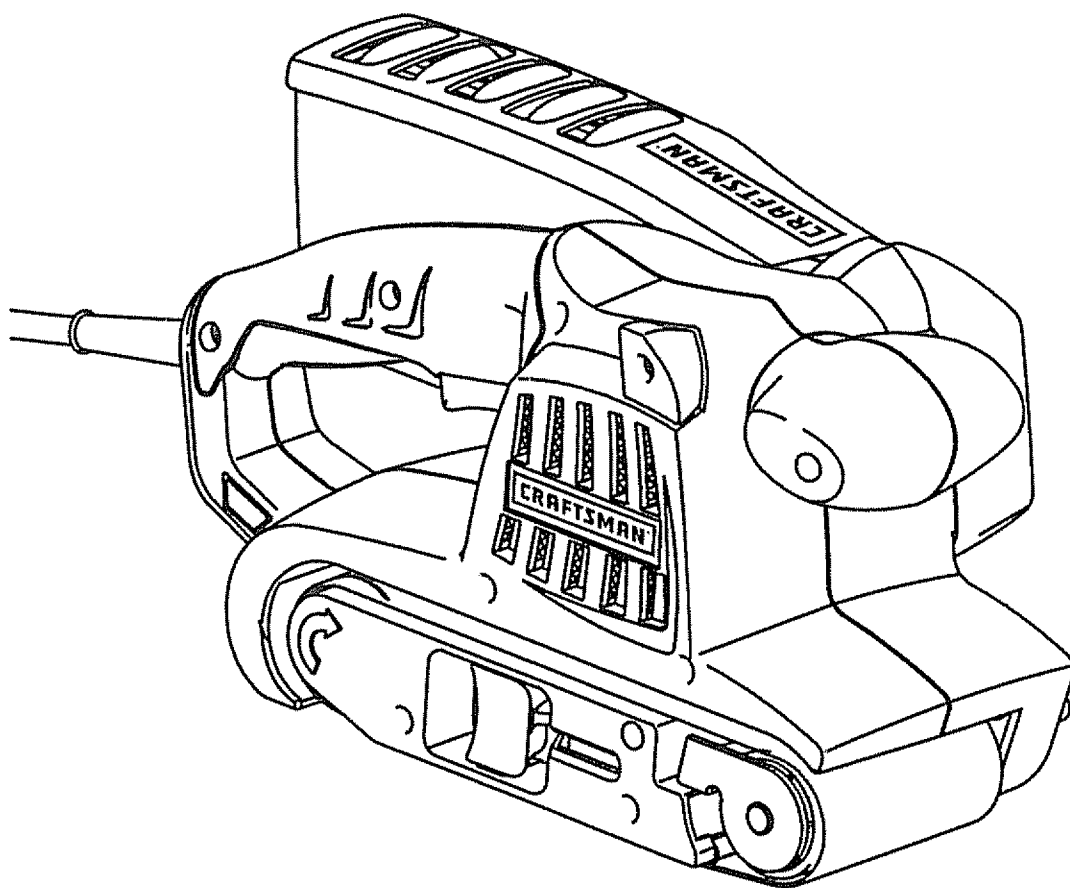


Product Manual



Belt Sander

Model No. 320.17559



▲ CAUTION! Before using this product, read this manual and follow all its Safety Rules and Operating Instructions.

- Warranty
- Safety
- Assembly
- Operation
- Maintenance
- Parts List

Sears, Roebuck and Co., Hoffman Estates, IL 60179

www.craftsman.com

2340018000

TABLE OF CONTENTS

Warranty	Page 2
Safety Instruction	Page 3
Assembly	Page 8
Operation Instructions	Page 8
Maintenance	Page 13
Parts List	Page 14

ONE YEAR FULL WARRANTY ON CRAFTSMAN® PRODUCT

If this Craftsman tool fails to give complete satisfaction within one year from the date of purchase, return it to any Sears store or other Craftsman outlet in the United States for free replacement.

This warranty does not include sandpaper, which is an expendable part that can wear out from normal use within the warranty period.


This warranty applies for only 90 days from the date of purchase if this product is ever used for commercial or rental purposes.

This warranty gives you specific legal rights, and you may also have other rights, which vary from state to state.

Sears, Roebuck and Co., Hoffman Estates, IL 60179

Carton Contents

Sander, 3 sanding belts, filter, dust-collecting box, manual

 **WARNING:** Some dust created by using power tools contains chemicals known to the state of California to cause cancer and birth defects or other reproductive harm.


SAVE THESE INSTRUCTIONS!


READ ALL INSTRUCTIONS!


SAFETY INSTRUCTIONS


SAFETY SYMBOLS

The purpose of safety symbols is to attract your attention to possible dangers. The safety symbols and the explanations that accompany them deserve your careful attention and understanding. The safety warnings **DO NOT**, by themselves, eliminate any danger. They are no substitutes for proper accident-prevention measures.

 **SAFETY-ALERT SYMBOL:** Indicates danger, warning, or caution. May be used in conjunction with other symbols or pictographs.

 **DANGER:** Failure to obey a safety warning will result in serious injury to yourself or to others. Always follow the safety precautions to reduce the risk of fire, electric shock, and personal injury.


 **WARNING:** Failure to obey a safety warning can result in serious injury to yourself or to others. Always follow the safety precautions to reduce the risk of fire, electric shock, and personal injury.

 **CAUTION:** Failure to obey a safety warning may result in property damage or personal injury to yourself or to others. Always follow the safety precautions to reduce the risk of fire, electric shock, and personal injury.

DAMAGE PREVENTION AND INFORMATION MESSAGES

These inform the user of important information and/or instructions that could lead to equipment or other property damage if they are not followed. Each message is preceded by the word "NOTE," as in the example below:

NOTE: Equipment and/or property damage may result if these instructions are not followed.

 **WARNING:** **BE SURE** to read and understand all instructions in this manual before using this 6.0 Amp Belt Sander. Failure to follow all instructions may result in electric shock, fire and/or serious personal injury.

WORK AREA SAFETY


- KEEP THE WORK AREA CLEAN AND WELL LIT. Cluttered benches and dark areas invite accidents.
- DON'T USE IN A DANGEROUS ENVIRONMENT. Don't use power tools in damp or wet locations or expose them to rain. Don't operate power tools in potentially explosive environments, such as in the presence of flammable liquids, gases, or dust. Power tools create sparks, which may ignite the dust or fumes.
- KEEP CHILDREN AND BYSTANDERS AWAY. All visitors should be kept a safe distance away from the work area.
- USE THE RIGHT TOOL. Don't force a tool or attachment to do a job for which it was not designed.
- MAKE THE WORKSHOP KID-PROOF with padlocks, master switches, or by removing starter keys.

ELECTRICAL SAFETY

- **DO NOT CHANGE THE PLUG IN ANY WAY.** This belt sander is a double-insulated tool. Double-insulated tools are equipped with a polarized plug (one blade is wider than the other). This plug will fit in a polarized outlet only one way. If the plug cannot be fully inserted into the outlet, reverse the plug, and try again. If it still does not fit, contact a qualified electrician to install the proper outlet.
- **VOLTAGE:** Before plugging in the tool, make sure that the outlet voltage is within the voltage marked on the tool's data plate.
- **DO NOT USE "AC ONLY" RATED TOOLS WITH A DC POWER SUPPLY.**
- **DO NOT EXPOSE POWER TOOLS TO RAIN OR WET CONDITIONS.** Water entering a power tool will increase the risk of electric shock.
- If operating the power tool in damp locations is unavoidable, always use a Ground Fault Circuit Interrupter to supply power to your tool. Always wear electrician's rubber gloves and footwear in damp conditions.
- **DO NOT ABUSE THE CORD.** Never use the cord to carry the tools or to pull the plug from the outlet. Keep the cord away from heat, oil, sharp edges, or moving parts. Replace damaged cords immediately. Damaged cords increase the risk of electric shock.
- **USE THE PROPER EXTENSION CORD.**
 1. Make sure that your extension cord is in good condition.
 2. When using an extension cord, be sure to use one heavy enough to carry the current your product will draw. An Undersized cord will cause a drop on line voltage resulting in loss of power and overheating.
 3. Table A shows the correct size to use depending on cord length and ampere rating. If in doubt, use the next heavier gauge: the smaller the gauge number, the heavier the cord.
 4. When operating a power tool outside, ALWAYS use an outdoor extension cord marked "W-A" or "W." These cords are rated for outdoor use and reduce the risk of electric shock.

TABLE A						
Ampere Rating		Volts	Total Length of Cord in feet			
		120v	25ft	50ft	100ft	150ft
More Than	Not More Than	AWG				
0	6		18	16	16	14
6	10		18	16	14	12
10	12		16	16	14	12
12	16		14	12	Not Recommended	

The label on your tool may include the following symbols:

V	Volts
A	Amperes
Hz	Hertz
W	Watts
min	Minutes
~	Alternating current
no	No-load speed
<input type="checkbox"/>	Class II construction
RPM	Revolutions or Strokes per minute
	Indicates danger, warning or caution. It means attention! Your safety is involved.

PERSONAL SAFETY


- **STAY ALERT, WATCH WHAT YOU ARE DOING, and USE COMMON SENSE** when operating a power tool. **DO NOT** use the tool while tired or under the influence of drugs, alcohol, or medication.
- **WEAR PROPER APPAREL.** Do not wear loose clothing, gloves, neckties, rings, bracelets, or other jewelry. Pull back and secure long hair. Non-slip footwear is recommended.
- Keep your hair, clothing, and gloves away from moving parts.
- **REMOVE ADJUSTING KEYS OR WRENCHES.** Form a habit of checking to see that keys and adjusting wrenches are removed from the tool before turning it on.
- **ALWAYS USE SAFETY GLASSES.** Everyday glasses may have impact-resistant lenses, but they are **NOT** safety glasses. Also use a face or dust mask, if the operation is dusty.

TOOL USE AND CARE

- **AVOID ACCIDENTAL STARTING.** Be sure the switch is in the "Off" position before plugging the tool into an electrical outlet.
- **DO NOT CARRY TOOLS WITH YOUR FINGER ON THE SWITCH.**
- **SECURE YOUR WORK.** Use clamps or other practical ways to secure and support the work piece. It's safer than using your hand, and it frees both hands to operate the tool.
- **DO NOT OVER REACH.** Keep proper footing and balance at all times.
- **PLACE WORKPIECE ON A WORKTABLE OR WORKBENCH:** a strong and sturdy table designed for woodworking and similar tasks.
- **USE A BACKSTOP:** a stable surface against which the work piece may be held, to prevent the work from moving with the sanding belt.

TOOL USE AND CARE continued

- **DO NOT FORCE THE TOOL.** Use the correct tool and blade for your application. The correct tool and blade will do the job better and more safely at the rate for which it is designed.
- **DO NOT USE TOOL IF THE SWITCH DOES NOT TURN IT “ON” OR “OFF.”** Any tool that cannot be controlled with the switch is dangerous and must be repaired.
- **DISCONNECT THE TOOL** before servicing (such as cleaning the dust-collector box), changing accessories (such as sand paper), or storing the tool.
- **STORE IDLE TOOLS OUT OF THE REACH OF CHILDREN** and other untrained people.
- **NEVER LEAVE THE TOOL RUNNING UNATTENDED;** turn the power off. Don't leave the tool until it comes to a complete stop.
- **ALWAYS MAINTAIN TOOLS WITH CARE.** Keep cutting tools sharp and clean. Properly maintained tools with sharp cutting edges are less likely to bind and are easier to control.
- **CHECK FOR DAMAGED PARTS.** Before further use of the tool, a guard or other part that is damaged should be carefully checked to determine that it will operate properly and perform its intended function. Check for alignment of moving parts, binding of moving parts, mounting, and any other conditions that may affect its operation. A guard or other part that is damaged should be properly repaired or replaced.

 **WARNING: Use of accessories that are not recommended for use with this tool may create hazardous conditions.**

USE RECOMMENDED ACCESSORIES. Consult the product manual for recommended accessories. The use of improper accessories may increase the risk of personal injury.

SERVICE SAFETY

- If any part of this belt sander is missing or should break, bend, or fail in any way; or should any electrical component fail to perform properly: **ALWAYS** shut off the power switch and remove the plug from the power source, and have the missing, damaged, or failed part replaced **BEFORE** resuming operation.
- All service that requires opening the tool **MUST** be performed only by a Sears Service Center. All of the motor parts are important components of the double-insulation system and **MUST** only be serviced by a Sears Service Center. Service performed by unqualified personnel could result in a risk of injury.
- When servicing a tool, **ALWAYS** use only identical replacement parts. Follow instructions in the Maintenance Section of this manual. Use of unauthorized parts or failure to follow Maintenance Instructions may create a risk of electric shock or injury.

SPECIFIC SAFETY RULES FOR BELT SANDER

⚠ WARNING: Empty the dust-collecting canister frequently, especially when sanding resin-coated surfaces, such as polyurethane, varnish, shellac, etc. Fine particles of sanding dust may self-ignite and cause fire.

- Hold the tool by the insulated, gripping surfaces whenever performing any operation where the tool may contact hidden wiring or its own cord. Contact with a “live” wire will make exposed metal parts of the tool “live” and will shock the operator.
- Always wear safety goggles and a dust mask when sanding, especially when sanding over-head.
- A suitable breathing respirator must be worn while sanding chemically-pressure-treated objects.
- The belt sander is not suitable for wet sanding.
- Do not use larger sanding paper than is needed. This tool uses 3" x 18" sanding belts. Extra paper extending beyond the sanding pad can cause serious lacerations.

⚠ WARNING! Use of this tool can generate dust containing chemicals known to cause cancer, birth defects, or other reproductive harm. Some examples of these chemicals are:

- Lead from lead-based paints.
- Crystalline silica from bricks, cement, and other masonry products.
- Arsenic and chromium from chemically treated lumber.

Your risk from these exposures varies, depending upon how often you do this type of work. To reduce your exposure to these chemicals:

- Work in a well-ventilated area.
- Work with approved safety equipment, such as those dust masks that are specially designed to filter out microscopic particles.

Avoid prolonged contact with dust from power sanding, sawing, grinding, drilling, and other construction activities. Wear protective clothing and wash exposed areas with soap and water.

Allowing dust to get into your mouth or eyes or to lie on the skin may promote absorption of harmful chemicals.

IMPORTANT! READ ALL INSTRUCTIONS

ASSEMBLY

Your Belt Sander has been shipped fully assembled, except for the sanding belts and dust-collecting box, which are included in the carton. Inspect the tool carefully to make sure that no breakage or damage has occurred during shipping. If any parts are damaged or missing, return the Belt Sander to any Sears store or other Craftsman outlet in the United States to have it replaced.

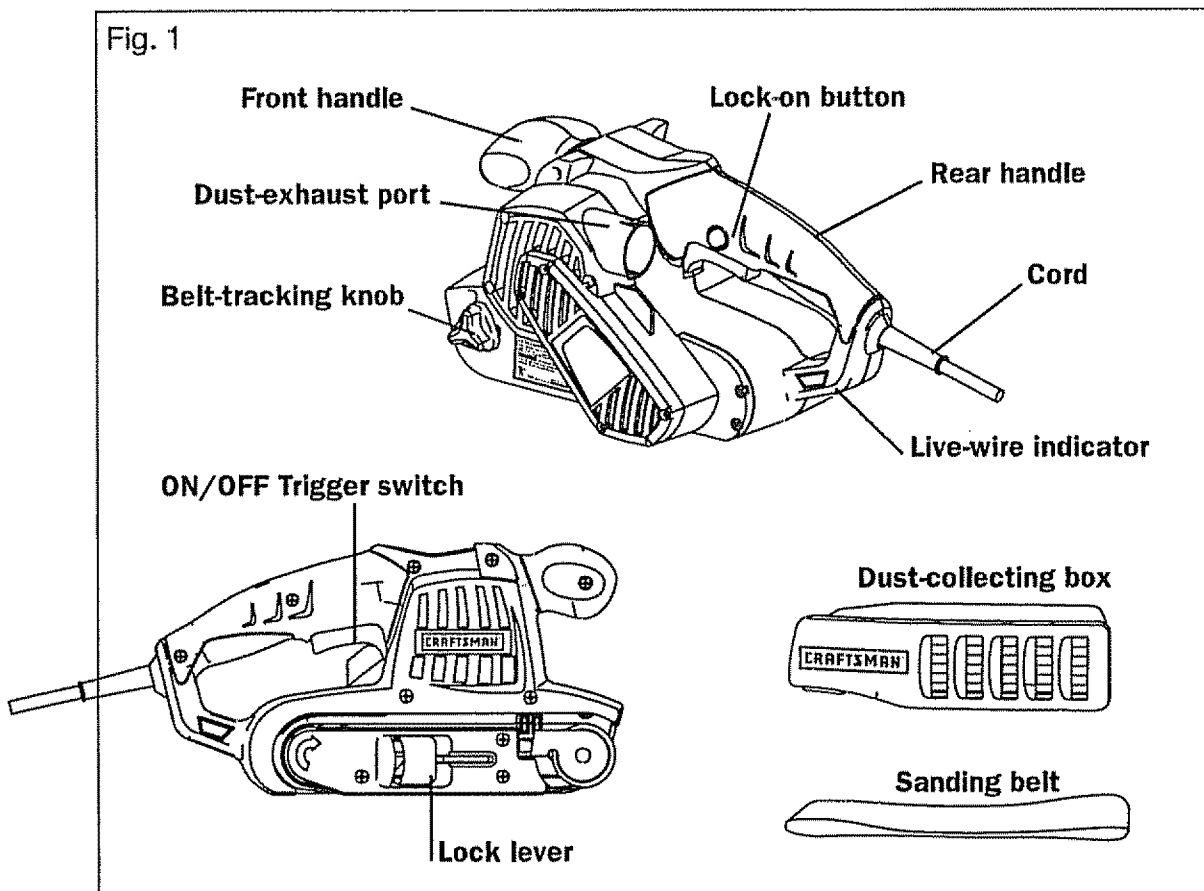
Please see the Operations section of the product manual for instructions for installing the sanding belt and dust-collecting box.

▲ WARNING! If any parts are missing, **DO NOT** operate this tool until the missing parts are replaced.

▲ WARNING! Your Belt Sander should **NEVER** be connected to the power source when you are assembling parts, making adjustments, installing or removing belt, cleaning, or when it is not in use.

OPERATION

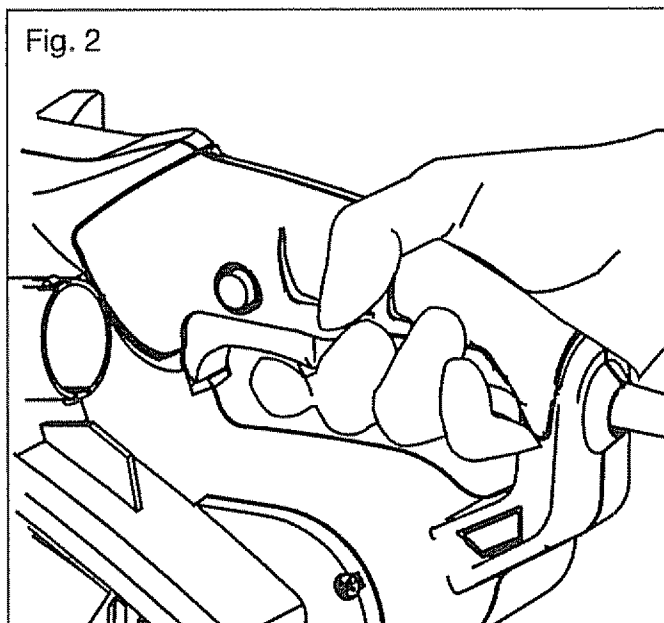
Before attempting to use any tool, always learn about all of the operating features and safety instructions.



PRODUCT SPECIFICATIONS	
Input:	120V, 60HZ, AC only, 6 Amps
Square Feet Per Minute	1000 SFPM
Sanding belt size	3" X 18"
Protection class	II

TURN ON/OFF THE BELT SANDER (Fig. 2)

1. Connect the plug to an electrical outlet.
2. Start the tool by squeezing the on/off trigger switch.
3. Release the trigger to stop the tool.
4. The lock-on button allows the operator to keep the belt sander running without continuously holding the trigger switch. While squeezing the trigger switch, depress the red lock-on button, then release both the switch and the lock-on button.



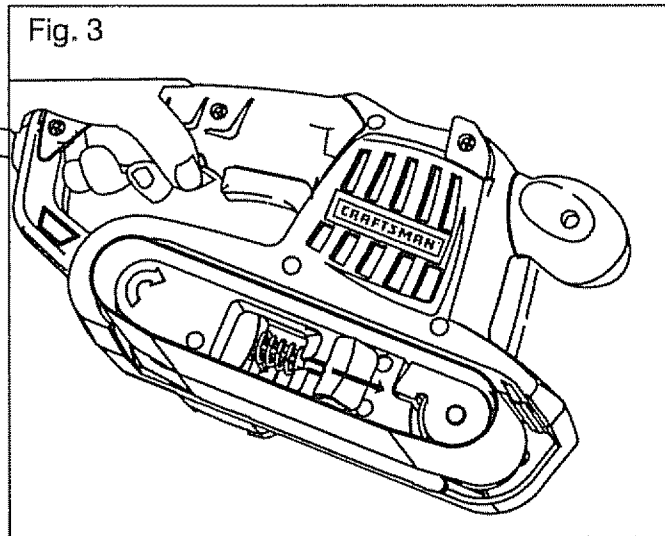
5. To release the lock-on button, squeeze and release the trigger switch.
NOTE: The trigger cannot be released if you are pressing the lock-on button.

⚠ WARNING: DO NOT let familiarity with your belt sander make you careless. Remember that a careless fraction of a second is sufficient to cause severe injury.

TO INSTALL SANDING BELT

⚠ WARNING: Always disconnect the plug from the power source before attaching or removing a sanding belt.

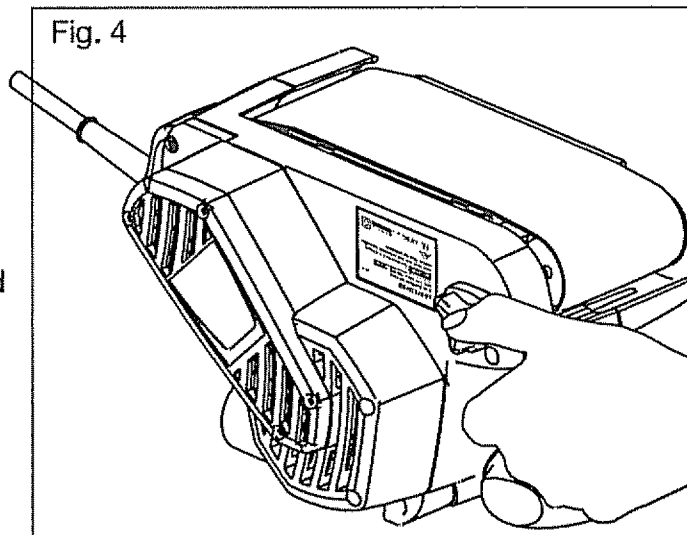
1. Place the sander on its side, and pull the lock lever out and toward the front of the tool. (Fig. 3)
2. Insert the new sanding belt around both rollers. Make sure that the arrow on the inside of the sanding belt points in the same direction as the arrow indicated on the sander. (Fig. 3)
3. Center the sanding belt over the rollers and the bottom plate, then push the lock lever back to its original position to return tension to the belt.



ADJUSTING THE BELT TRACKING (Fig. 4)

When a new sanding belt is installed, the sanding belt tracking may need to be adjusted several times as the belt becomes more pliable with use. When the sanding belt tracking is correct, the sanding belt will remain centered on the rollers during use.

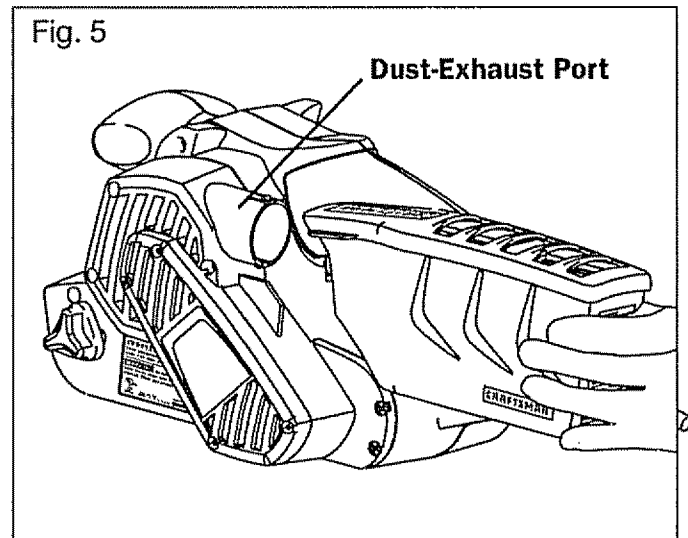
1. Hold the belt sander upside down, and turn it on.
NOTE: This position is for the purpose of adjustment only. Do not allow the sanding belt to come into contact with a work piece or any other object during adjustment.
2. If the sanding belt runs inward toward the belt-tightening knob, rotate the belt-tightening knob clockwise.
3. If the sanding belt runs toward the outside, rotate the knob counterclockwise.



DUST-COLLECTING BOX

Your belt sander is supplied with a dust-collecting box. Use it for removing dust from the sanding space to help keep the working area clear.

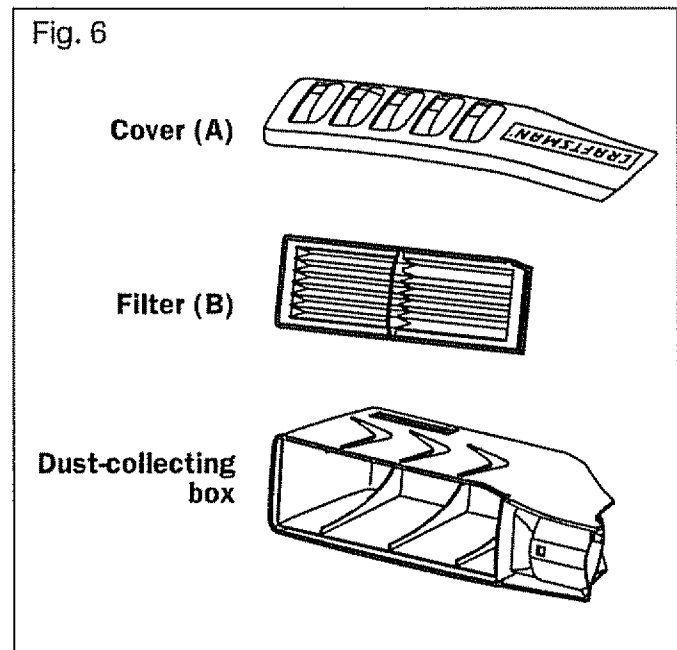
- Before sanding, attach the dust-collecting box to the sander.
- For longer periods of use, or on large pieces of work, it is advisable to use a suitable vacuum cleaner. Attach a 1-1/4-inch wet/dry-vac hose to the dust-exhaust port.
- It is advisable to also wear a suitable dust mask, as there may be residual airborne dust particles in the area.



- To install: Align the dust-exhaust port with the dust-collecting box outlet. Push the box onto tool until it is firmly seated. (Fig. 5)
- To remove: Grip the dust-collecting box firmly, and pull it out from the tool.

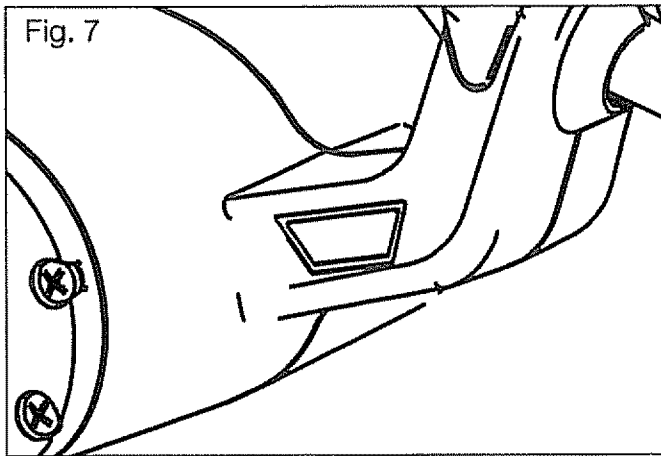
▲ WARNING: Clean the dust-collecting box approximately every 5 minutes or when dust escapes from the vent of the dust-collecting box.

- Clean the dust filter: Open the cover (A) on top of dust-collecting box, and remove the filter (B). Gently tap the filter to remove the dust, or use a soft brush. The filter may then be rinsed with water (no soap), if desired, and allowed to air-dry. (Fig. 6)



THE LIVE-TOOL INDICATOR

The Belt Sander has two live-tool indicator lamps (Fig. 7). When the tool is plugged into an electrical supply, the live-tool indicators will show green lights to remind you that the tool is plugged in. When the tool is unplugged, the lights will turn off.



GENERAL SANDING

⚠ WARNING: Finish sanding can produce clouds of fine, sanding dust that could ignite in the presence of sparks or an open flame. To avoid injury, always use your sander in a well-ventilated area, away from sparks and flames.

- Secure the work piece with clamps or other means to keep it from moving while sanding.
- Be sure the cord is clear of the sanding belt.
- Grasp the handles firmly: Hold the front handle with your left hand and the rear handle with your right hand.
- Start the sander off of the work surface to avoid gouging. NEVER start or stop the sander with the belt in contact with the work surface.
- Place the “heel” of the sander on the work first. And then, with a slight forward motion, begin the sanding stroke as you lower the tool onto the work surface.
- Use the front handle to guide the sander and the rear handle to control the sander.
- Use short, overlapping strokes, moving the sander slowly back and forth across the work surface.
- Do not apply pressure to the sander. The sander is correctly weighted to provide the correct pressure. Too much pressure will slow the work by overloading the motor and reducing the belt speed. Use coarser sandpaper for heavy sanding; do not use increased pressure.
- Avoid tilting or rocking the sander or sanding in one spot for too long. This will result in an uneven surface.
- Begin sanding with a coarse-grit sandpaper, and gradually use finer and finer grits, until the desired finish is achieved. Do not switch from a coarse grit to a very fine grit in only one step.
- To stop, lift the belt sander from the work surface before turning it off. Disengage the lock-on button and release the trigger switch. Allow the sander to come to a complete stop before setting it down. A moving belt will cause the sander to “run away,” even if the motor is off.

MAINTENANCE

⚠ WARNING! DO NOT at any time allow brake fluids, gasoline, petroleum-based products, penetrating oils, etc. to come in contact with plastic parts. They contain chemicals that can damage, weaken, or destroy plastic.

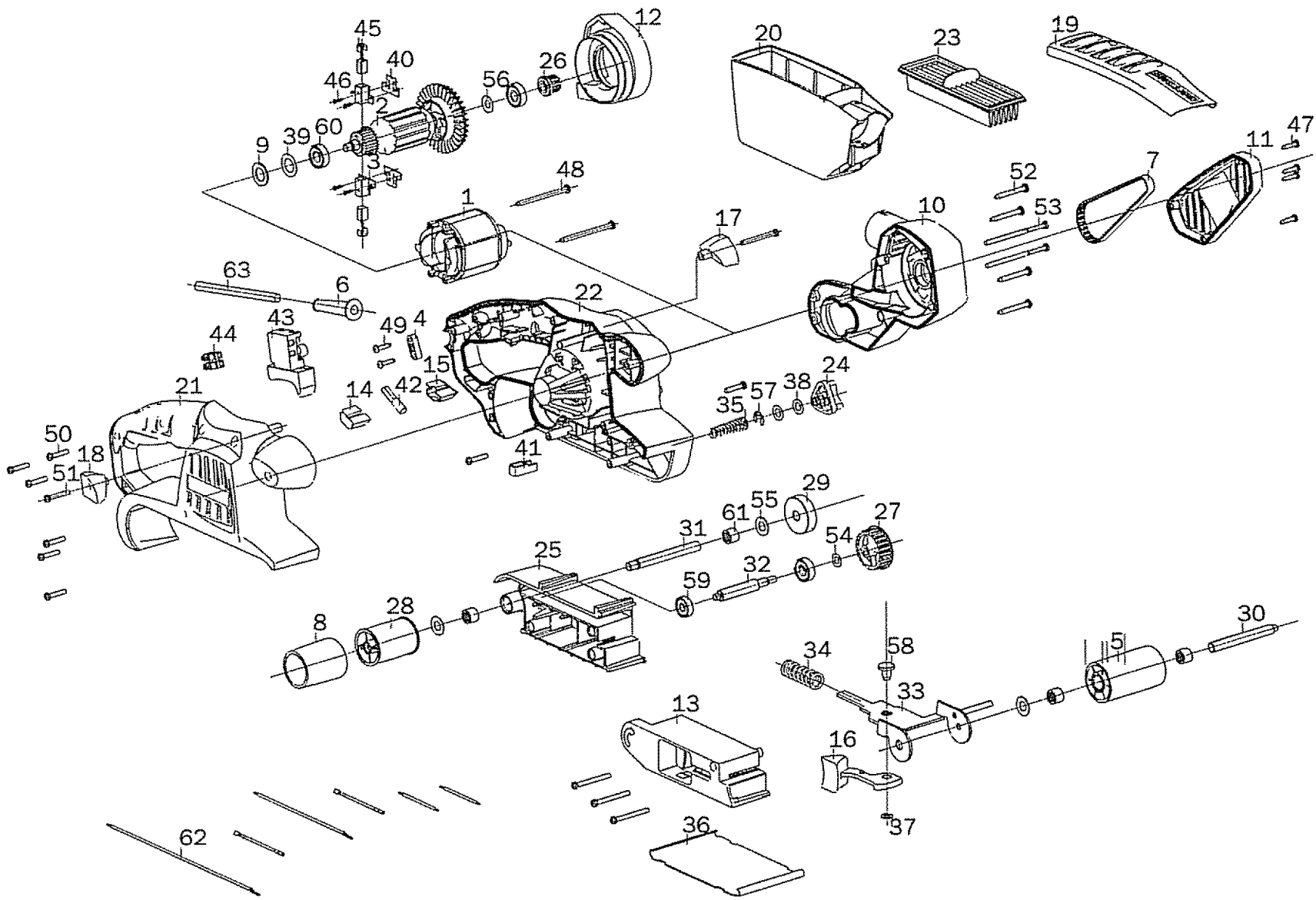
- Before cleaning or performing any maintenance, make sure that the belt sander has been disconnected from the power supply.
- Keep all ventilation openings clean.
- When servicing a tool, use only identical replacement parts. Follow instructions in the maintenance section of this manual. Use of unauthorized parts or failure to follow maintenance instructions may create a risk of electrical shock and/or serious personnel injury.
- All service that requires opening the belt sander **MUST** be performed only by a Sears Service Center. All motor parts constitute important parts of the double-insulation system and **MUST** only be serviced by a Sears Service Center. Service performed by unqualified personnel could result in a risk of injury.
- Avoid using solvents when cleaning plastic parts. Most plastics can be damaged by commercial solvents. Use clean cloths to remove dirt, carbon dust, etc.

PARTS LIST

The Model Number will be found on the cover of this manual. Always mention the Model Number in all correspondence regarding your tool.

No.	Part No.	Part Name	Quantity
01.	2740234000	Stator	1
02.	2750824000	Rotor	1
03.	2800026000	Brush Holder	2
04.	3120234000	Cord Anchorage	1
05.	3120398000	Front Pulley	1
06.	3121011000	Cord Guard	1
07.	3121034000	Timing Belt	1
08.	3121036000	Rubber Bushing	1
09.	3121049000	Rubber Spring	1
10.	3122975000	Left Housing	1
11.	3122976000	Belt Cover	1
12.	3122977000	Fan Baffle	1
13.	3122978000	Mounting Cover	1
14.	3123002000	Right Indicator Cover	1
15.	3123003000	Left Indicator Cover	1
16.	3123004000	Lever	1
17.	3123006000	Left Rubber Gasket	1
18.	3123007000	Right Rubber Gasket	1
19.	3123008000	Dust-Collecting Box Cover	1
20.	3123009000	Dust-Collecting Box	1
21.	3320411000	Right Housing	1
22.	3320412000	Middle Housing	1
23.	3320423000	Filter Assembly	1
24.	3402156000	Adjusting Knob	1
25.	3420508000	Mounting	1
26.	3420102000	Small Belt Pulley	1
27.	3420101000	Large Belt Pulley	1
28.	3420525000	Rear Pulley	1
29.	3520032000	Gear	1
30.	3550143000	Front Pulley Shaft	1

No.	Part No.	Part Name	Quantity
31.	3550144000	Rear Pulley Shaft	1
32.	3550145000	Gear Shaft	1
33.	2822072000	Support Assembly	1
34.	3660291000	Spring	1
35.	3660130000	Spring	1
36.	3700138000	Mounting Plate	1
37.	3700145000	Washer A	1
38.	3700183000	Washer C	2
39.	3700249000	Washer	1
40.	3700487000	Epoxy Board	2
41.	2822222000	Belt-Control Assembly	1
42.	4540017000	Power-Supply Indicator	1
43.	4870313000	Switch	1
44.	4930004000	Connector	1
45.	4960010000	Carbon Brush	2
46.	5610006000	Tapping Screw	4
47.	5610024000	Tapping Screw	4
48.	5610049000	Tapping Screw	2
49.	5610103000	Tapping Screw	2
50.	5610106000	Tapping Screw	8
51.	5610034000	Tapping Screw	1
52.	5610035000	Tapping Screw	8
53.	5610037000	Thread-Forming Screw	2
54.	5650048000	Wave Washer	1
55.	5650049000	Plain Washer	3
56.	5650050000	Plain Washer	1
57.	5660029000	E Ring	1
58.	5680017000	Rivet	1
59.	5700004000	Ball Bearing	1
60.	5700005000	Ball Bearing	3
61.	5700031000	Needle Bearing	4
62.	4860006000	Inner Wire	6
63.	4810002000	Power Cord & Plug	1



NOTES

NOTES

NOTES

NOTES

Get it fixed, at your home or ours!

Your Home

For repair – **in your home** – of **all** major brand appliances, lawn and garden equipment, or heating and cooling systems, **no matter who made it, no matter who sold it!**

For the replacement parts, accessories and owner's manuals that you need to do-it-yourself.

For Sears professional installation of home appliances and items like garage door openers and water heaters.

1-800-4-MY-HOME[®] Anytime, day or night
(1-800-469-4663) (U.S.A. and Canada)
www.sears.com www.sears.ca

Our Home

For repair of carry-in products like vacuums, lawn equipment, and electronics, call or go on-line for the nearest **Sears Parts & Repair Service Center**

1-800-488-1222 Anytime, day or night (U.S.A. only)
www.sears.com

To purchase a protection agreement (U.S.A.) or maintenance agreement (Canada) on a product serviced by Sears:

1-800-827-6655 (U.S.A.) **1-800-361-6665** (Canada)

Para pedir servicio de reparación a domicilio, y para ordenar piezas:

1-888-SU-HOGAR[®]
(1-888-784-6427)

Au Canada pour service en français:

1-800-LE-FOYER^{MC}
(1-800-533-6937)
www.sears.ca

The Sears logo is written in a stylized, cursive font with a horizontal line underneath the letters.

© Sears Brands, LLC

® Registered Trademark / TM Trademark / SM Service Mark of Sears Brands, LLC

® Marca Registrada / TM Marca de Fábrica / SM Marca de Servicio de Sears Brands, LLC

^{MC} Marque de commerce / ^{MD} Marquedéposée de Sears Brands, LLC