

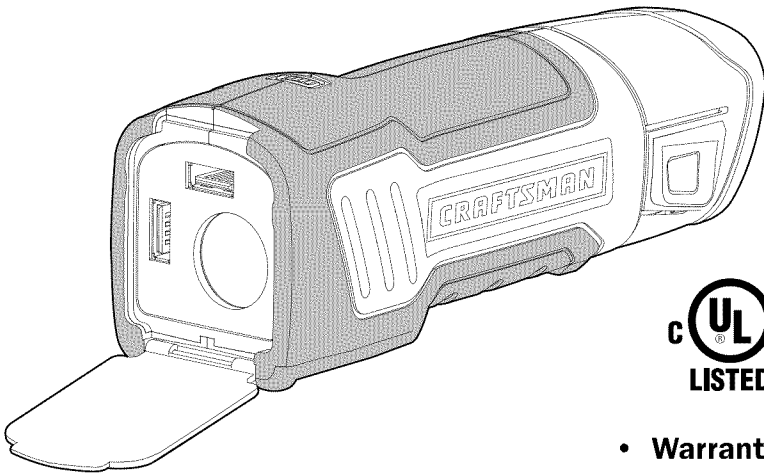
Operator's Manual



NETEC

12.0-VOLT LITHIUM-ION POWER SOURCE

Model No. 320. 30562



⚠ WARNING: To reduce the risk of injury, the user must read and understand the Operator's manual before using this product.

- Warranty
- Safety
- Description
- Operation
- Maintenance
- Troubleshooting
- Español

Charge battery
before first use.

Sears Brands Management Corporation, Hoffman Estates,
IL 60179 U.S.A.

www.craftsman.com

TABLE OF CONTENTS

Warranty	Page 2
Safety Symbols	Pages 3-4
Safety Instructions	Pages 4-6
Unpacking	Page 6
Description	Pages 6-7
Operation	Pages 7-8
Maintenance	Pages 8-9
Troubleshooting	Page 9
Exploded View and Part List	Pages 10-11
Sears Repair Parts Phone Number	Back Cover

CRAFTSMAN ONE YEAR LIMITED WARRANTY

FOR ONE YEAR from the date of purchase, this product is warranted against any defects in material or workmanship. With proof of purchase, defective product will be replaced free of charge.

For warranty coverage details to obtain free replacement, visit the web site: www.craftsman.com

This warranty is void if this product is ever used while providing commercial services or if rented to another person.

This warranty gives you specific legal rights, and you may also have other rights which vary from state to state.

Sears Brands Management Corporation, Hoffman Estates, IL 60179

SAVE THESE INSTRUCTIONS!

READ ALL INSTRUCTIONS

SAFETY SYMBOLS

The purpose of safety symbols is to attract your attention to possible dangers. The safety symbols and the explanations with them deserve your careful attention and understanding. The symbol warnings do not, by themselves, eliminate any danger. The instructions and warnings they give are no substitutes for proper accident prevention measures.

⚠ WARNING: Be sure to read and understand all safety instructions in this manual, including all safety alert symbols such as **“DANGER,” “WARNING,”** and **“CAUTION”** before using this Power Source. Failure to follow all instructions listed in this manual may result in electric shock, fire, and/or serious personal injury.

SAFETY SYMBOL MEANING

SAFETY ALERT SYMBOL: Indicates **DANGER, WARNING, or CAUTION** may be used in conjunction with other symbols or pictographs.

⚠ DANGER: Indicates an imminently a hazardous situation, which, if not avoided, will result in death or serious injury.

⚠ WARNING: Indicates a hazardous situation, which, if not avoided, could result in death or serious injury.

⚠ CAUTION: Indicates a hazardous situation, which, if not avoided, could result in minor or moderate injury.


These inform the user of important information and/or instructions that could lead to equipment or other property damage if they are not followed. Each message is preceded by the word **“NOTICE,”** as in the example below:

NOTICE: Equipment and/or property damage may result if these instructions are not followed.

⚠ WARNING: To ensure safety and reliability, all repairs should be performed by a qualified service technician at a Sears Parts & Repair Service Center.

SAVE THESE INSTRUCTIONS

Some of these following symbols may be used on this tool. Please study them and learn their meaning. Proper interpretation of these symbols will allow you to operate the tool better and more safely.

SYMBOL	NAME	DESIGNATION/EXPLANATION
V	Volts	Voltage
A	Amperes	Current
W	Watt	Power
	Direct Current	Type or a characteristic of current

SAFETY INSTRUCTIONS

WARNING: READ ALL SAFETY WARNINGS AND INSTRUCTIONS!

Failure to follow the warnings and instructions may result in electric shock, fire and/or serious personal injury.

Save these instructions – This operator’s manual contains important safety and operating instructions for the CRAFTSMAN 12V Power Source. Before using this Power Source, read this operator’s manual, your battery pack and charger operator’s manuals, and all labels on the battery pack, charger and Power Source.

WORK AREA SAFETY

- Avoid dangerous environments. Do not use outdoors in rain, snow, damp or wet locations.
- Do not use in the explosive atmospheres (gaseous fumes, dust or flammable materials) because sparks may be generated when inserting or re-moving the battery pack, possibly causing fire.

PERSONAL SAFETY

- Follow the manufacturer’s instructions regarding operation and power for this Power Source. Use of the Power Source other than described in this manual could result in a hazardous situation.
- Stay alert, watch what you are doing and use common sense when operating this Power Source. Do not use while you are tired or under the influence of drugs, alcohol or medication. A moment of inattention may result in serious personal injury.

USE AND CARE

- Disconnect plugs from the Power Source and remove the battery pack before storing it. Such preventive safety measures reduce the risk of starting the appliance accidentally.
- Store an idle Power Source out of the reach of children and do not allow persons unfamiliar with the power source or instructions to operate it. Power source is dangerous in the hands of untrained users.
- Maintain the Power Source. Check for misalignment, breakage of parts and any other condition that may affect the Power Source operation. If damaged, have the Power Source repaired before use. Use the Power Source in accordance with these instructions, taking into account the working conditions and the work to be performed. Use of the Power Source for operations different from those intended could result in a hazardous situation.
- Keep Power Source away from other metal objects like paper clips, coins, keys, nails, screws, or other small metal objects that can make a connection from one terminal to another. Shorting the terminals together may cause burns or a fire.

BATTERY USE AND CARE

- Your Power Source is rated for 12 V DC only. Use only appropriate CRAFTSMAN battery packs. Use of any other battery packs may create a risk of injury and fire.
- Recharge only with the charger specified in the table below. A charger that is suitable for one type of battery pack may create a risk of fire when used with another battery pack.
- **Use only with the battery and chargers listed:**

Battery pack	Charger
320.11221	320.29497
	320.10006
	320.14300

- To reduce the risk of electric shock, always remove battery pack before cleaning or maintenance.

SERVICE

- Do not disassemble. Incorrect reassembly may result in the risk of electric shock or fire.
- Store in a cool, dry place. Do not store where temperatures may exceed 120°F (50°C) such as in direct sunlight, a vehicle or metal building during the summer.
- Maintain labels and nameplates. These carry important information.

- Follow instructions in the Maintenance section of this manual. Use of unauthorized parts or failure to follow Maintenance instructions may create a risk of shock or injury.

UNPACKING

This product has been shipped completely assembled.

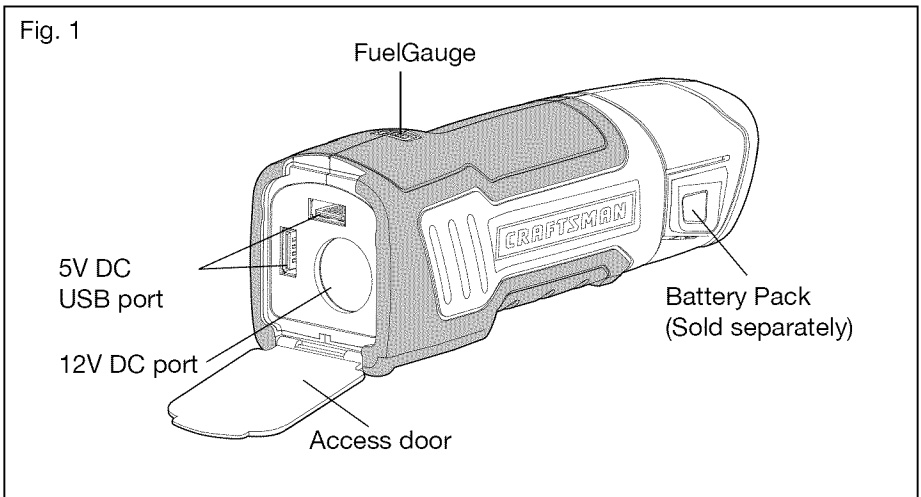
- Carefully remove the Power Source from the box.
- Inspect the Power Source carefully to make sure that no breakage or damage occurred during shipping.
- Do not discard the packing material until you have carefully inspected and satisfactorily operated the Power Source.
- If any parts are damaged or missing, please return the Power Source to the store where purchased for replacement.

PACKING LIST


12.0-Volt Lithium-Ion Power Source, Operator's Manual

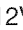

DESCRIPTION

KNOW YOUR POWER SOURCE (Fig.1)



- FuelGauge: Green, yellow and red LED lights indicate the amount of charge remaining.
- 5V DC USB port: power for 5V  appliances with working current less than 1.5A.

- 12V DC port: power for 12V  automotive appliances with working current less than 3A.
- Both ports can power for smart phones, digital cameras, MP3 players, navigator, etc.
- Access door: protects the ports from dirt and shortcircuit.

PRODUCT SPECIFICATION	
Input	320.11221
Automotive Output	12V  3A, 36W
USB Output	5V  1.5A (single port), 7.5W
Weight (without battery)	0.287 lbs
Optimum Charging Temperature	32°F (0°C) -104°F (40°C)

⚠ WARNING: Always remove battery pack before changing or removing accessories. Only use accessories specifically recommended for this tool. Others may be hazardous.

OPERATION

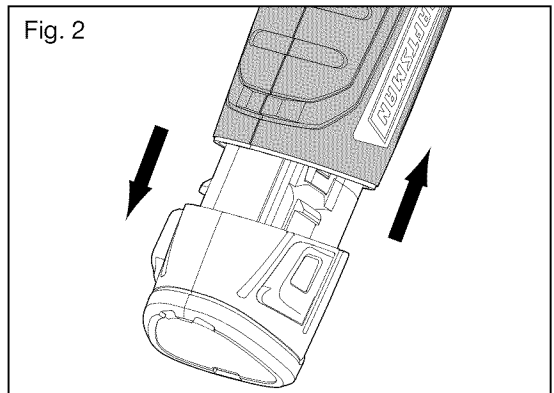
TO ATTACH BATTERY PACK (sold separately) (Fig. 2)

Align the raised ribs on the battery pack with the grooves of the Power Source, then attach the battery pack to the Power Source.

NOTICE: Make sure that the latch on the battery pack snaps into place and the battery pack is secured to the Power Source before beginning operation.

TO DETACH BATTERY PACK (Fig. 2)

1. Depress the battery release buttons located on the both sides of the battery pack to release battery pack.
2. Pull the battery pack out and remove it from the Power Source.



FuelGauge

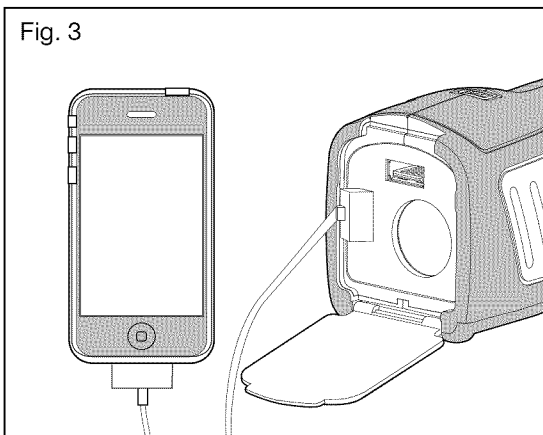
The FuelGauge indicates the charge of a battery pack. Insert the battery pack into the Power Source; the FuelGauge will light up for about 5 seconds as follows:

- The green LED indicates that the battery is fully charged.
- The yellow LED indicates that the battery has used approximately one half of its charge.
- The red LED indicates the battery pack is depleted and needs to be charged.

The FuelGauge will blink in red if the appliance draws more than the rated output of the port.

USING THE POWER SOURCE

After installing the battery pack, open the access door and plug in a 12 V Automotive or 5 V USB powered appliance (Fig. 3). If the appliance draws more than the rated output of the port, the Power Source will shut off all the outlets to protect the battery pack and the FuelGauge will blink red. To restart the power port, remove and reinstall the battery pack. Use only appliances rated within the output specifications for the port.



MAINTENANCE

⚠ WARNING: To avoid serious personal injury, always remove the battery pack from the Power Source when cleaning or performing any maintenance.

⚠ WARNING: When servicing, use only identical Craftsman replacement parts. Use of any other parts may create a hazard or cause product damage. To ensure safety and reliability, all repairs should be performed by a qualified service technician at a Sears Service Center.

Avoid using solvents when cleaning plastic parts. Most plastics are susceptible to damage from various types of commercial solvents and may be damaged by their use. Use clean cloths to remove dirt, dust, oil, grease, etc.

Cleaning

▲ WARNING: To reduce the risk of personal injury and damage, never immerse your Power Source, battery pack or charger in liquid or allow a liquid to flow inside them.

Clean dust and debris from charger and power ports. Keep the power ports clean, dry and free of oil or grease. Use only mild soap and a damp cloth to clean the power port, battery pack and charger, since certain cleaning agents and solvents are harmful to plastics and other insulated parts. Some of these include gasoline, turpentine, lacquer thinner, paint thinner, chlorinated cleaning solvents, ammonia and household detergents containing ammonia. Never use flammable or combustible solvents around power port.

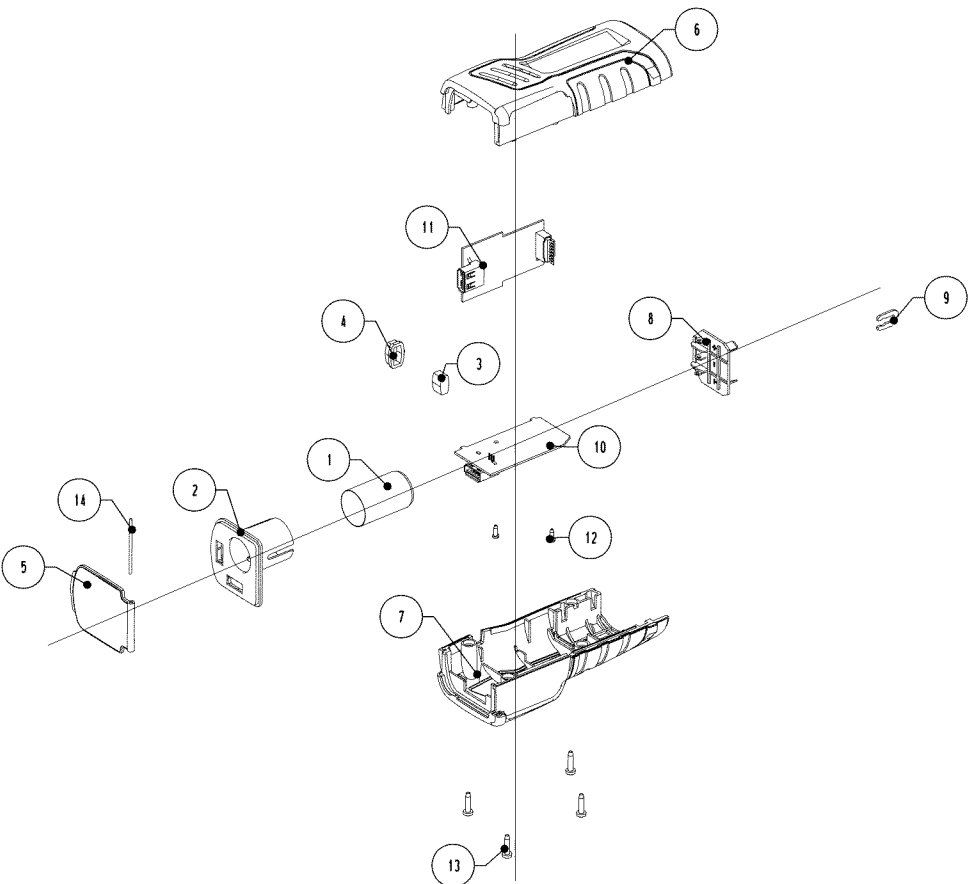
TROUBLESHOOTING

PROBLEM	CAUSE	SOLUTION
The FuelGauge is not ON when a battery pack has been inserted	The battery pack charge is fully depleted	Charge the battery pack following the instructions for your charger and battery pack.
	Weak contacts	Check the contacts of the Power Source; make sure they are clean and not damaged
The Power Source cannot power an appliance and the FuelGauge blinks in red	The appliance draws more than the rated output of the port	Remove the appliance from the port; remove and reinstall the battery pack to restart the Power Source. Make sure the working current for the appliance is not greater than the rated output of the port.
	The output port is under short circuit protection	Remove the battery pack, check and make sure no metal or debris is inside the ports.
	The battery pack is under high temperature protection	Remove the appliance and battery pack from the Power source, cool the battery pack until the temperature drops to 158°F (70°C)

EXPLODED VIEW AND PART LIST

12.0-VOLT LITHIUM-ION POWER SOURCE MODEL NO.320,30562

The Model Number is stamped on the Power Source nameplate. You will need the Model Number if calling for service on your tool.



PARTS LIST

No	Part No	Part Name	QTY
1	2823157000	Lamp Holder	1
2	3126072000	Pivot Shoe	1
3	3126073000	Light Guide Pole	1
4	3126075000	Transparent Cap	1
5	3126078000	Cover	1
6	3321252000	Left Housing Assembly	1
7	3321255000	Right Housing Assembly	1
8	3402298000	Contact Receptacle Assembly	1
9	3704254000	Handle Hoop	1
10	4890780000	PCB Assembly	1
11	4890783000	PCB Assembly	1
12	5610005000	Tapping Screw	2
13	5610012000	Tapping Screw	4
14	5670308000	Pin	1

Get it fixed, at your home or ours!

Your Home

For troubleshooting, product manuals and expert advice:



www.managemylife.com

For repair – **in your home** – of **all** major brand appliances, lawn and garden equipment, or heating and cooling systems, **no matter who made it, no matter who sold it!**

For the replacement parts, accessories and owner's manuals that you need to do-it-yourself.

For Sears professional installation of home appliances and items like garage door openers and water heaters.

1-800-4-MY-HOME[®]

(1-800-469-4663)

www.sears.com

Call anytime, day or night

(U.S.A. and Canada)

www.sears.ca

Our Home

For repair of carry-in items like vacuums, lawn equipment, and electronics, call anytime for the location of the nearest

Sears Parts & Repair Service Center

1-800-488-1222 (U.S.A.)

www.sears.com

1-800-469-4663 (Canada)

www.sears.ca

To purchase a protection agreement on a product serviced by Sears:

1-800-827-6655 (U.S.A.)

1-800-361-6665 (Canada)

Para pedir servicio de reparación a domicilio, y para ordenar piezas:

1-888-SU-HOGAR[®]

(1-888-784-6427)

www.sears.com

Au Canada pour service en français:

1-800-LE-FOYER^{MC}

(1-800-533-6937)

www.sears.ca

Sears

© Registered Trademark / TM Trademark of KCD IP, LLC in the United States, or Sears Brands, LLC in other countries

© Marca Registrada / TM Marca de Fábrica de KCD IP, LLC in Estados Unidos, o Sears Brands, LLC in otros países

^{MC} Marque de commerce / ^{MD} Marque déposée de Sears Brands, LLC