

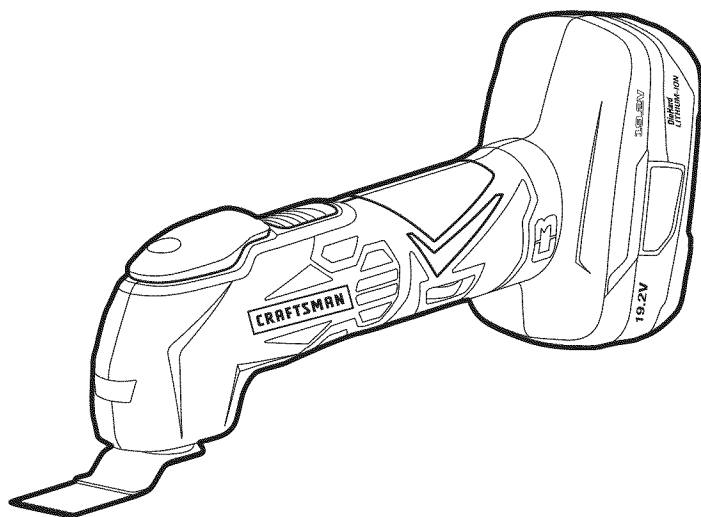
Operator's Manual

CRAFTSMAN®

C3 MULTI-TOOL WITH QUICK BLADE RELEASE

Model No. 320.38598 (Tool Kit)

No. 320.38599 (Tool Only)



▲ WARNING: To reduce the risk of injury, the user must read and understand the Operator's Manual before using this product.

- WARRANTY
- SAFETY
- DESCRIPTION
- OPERATION
- MAINTENANCE
- ESPAÑOL

Sears Brands Management Corporation, Hoffman Estates,
IL 60179 U.S.A.

www.craftsman.com

TABLE OF CONTENTS

Warranty	Page 2
Safety Symbols	Pages 4-5
Safety Instructions	Pages 6-9
Description	Pages 10-11
Assembly	Pages 12-13
Operation	Pages 14-28
Maintenance	Page 29
Troubleshooting	Page 29
Parts List	Pages 30-31

CRAFTSMAN ONE YEAR LIMITED WARRANTY

FOR ONE YEAR from the date of purchase, this product is warranted against any defects in material or workmanship. With proof of purchase, defective product will be replaced free of charge.

For warranty coverage, details to obtain free replacement, visit the web site: www.craftsman.com/warranty

This warranty does not cover the accessories, which are expendable parts that can wear out from normal use within the warranty period.

This ONE YEAR warranty is void if this product is ever used while providing commercial services or if rented to another person. For 90 DAYS commercial and rental use terms, see the Craftsman warranty web page.

This warranty gives you specific legal rights, and you may also have other rights which vary from state to state.

Sears Brands Management Corporation, Hoffman Estates, IL 60179.

INTRODUCTION

SAVE THESE INSTRUCTIONS!

READ ALL INSTRUCTIONS!

This tool has many features for making its use more pleasant and enjoyable. Safety, performance, and dependability have been given top priority in the design of this product making it easy to maintain and operate.

⚠ DANGER: People with electronic devices, such as pacemakers, should consult their physician(s) before using this product. Operation of electrical equipment in close proximity to a heart pacemaker could cause interference or failure of the pacemaker.

⚠ WARNING: Some dust created by power sanding, sawing, grinding, drilling and other construction activities contains chemicals known to the state of California to cause cancer, birth defects or other reproductive harm. Some examples of these chemicals are:

- Lead from lead-based paints
- Crystalline silica from bricks and cement and other masonry products, and
- Arsenic and chromium from chemically-treated lumber.

Your risk from these exposures varies, depending on how often you do this type of work. To reduce your exposure to these chemical: work in a well ventilated area, and work with approved safety equipment, such as those dust masks that are specially designed to filter out microscopic particles.

SAFETY SYMBOLS

The purpose of safety symbols is to attract your attention to possible dangers.

The safety symbols and the explanations with them deserve your careful attention and understanding. The symbol warnings do not, by themselves, eliminate any danger. The instructions and warnings they give are no substitutes for proper accident prevention measures.

⚠ WARNING: Be sure to read and understand all safety instructions in this manual, including all safety alert symbols such as “**DANGER**,” “**WARNING**,” and “**CAUTION**” before using this tool. Failure to follow all instructions listed in this manual may result in electric shock, fire and/or serious personal injury.

SYMBOL SIGNAL MEANING

SAFETY ALERT SYMBOL: Indicates **DANGER**, **WARNING**, or **CAUTION**; may be used in conjunction with other symbols or pictographs.

⚠ DANGER: Indicates a hazardous situation which, if not avoided, will result in death or serious injury.

⚠ WARNING: Indicates a hazardous situation which, if not avoided, could result in death or serious injury.

⚠ CAUTION: Indicates a hazardous situation which, if not avoided, could result in minor or moderate injury.

Damage prevention and Information Messages

These inform the user of important information and/or instructions that could lead to equipment or other property damage if they are not followed. Each message is preceded by the word “NOTICE”, as in the example below:

NOTICE: Equipment and/or property damage may result if these instructions are not followed.







⚠ WARNING: To ensure safety and reliability, all repairs should be performed by a qualified service technician.



⚠ WARNING: The operation of any power tools can result in foreign objects being thrown into your eyes, which can result in severe eye damage. Before beginning power tool operation, always wear safety goggles or safety glasses with side shield and a full face shield when needed. We recommend a Wide Vision Safety Mask for use over eyeglasses or standard safety glasses with side shields. Always use eye protection which is marked to comply with ANSI Z87.1.

SAVE THESE INSTRUCTIONS

Some of these following symbols may be used on this tool. Please study them and learn their meaning. Proper interpretation of these symbols will allow you to operate the tool better and more safely.

SYMBOL	NAME	DESIGNATION/EXPLANATION
V	Volts	Voltage
A	Amperes	Current
Hz	Hertz	Frequency (cycles per second)
W	Watt	Power
min	Minutes	Time
~	Alternating Current	Type of current
≡	Direct Current	Type or a characteristic of current
n_0	No-load Speed	Rotational speed, at no load
	Class II Construction	Double-insulated construction
.../min	Per Minute	Revolutions, strokes, surface speed, orbits, etc., per minute
	Wet Conditions Alert	Do not expose to rain or use in damp locations.
	Read The Operator's Manual	To reduce the risk of injury, user must read and understand operator's manual before using this product.
	Eye Protection	Always wear safety goggles or safety glasses with side shields and a full face shield when operating this product.
	Safety Alert	Precautions that involve your safety.
	No-Hands Symbol	Failure to keep your hands away from the blade will result in serious personal injury.
	No-Hands Symbol	Failure to keep your hands away from the blade will result in serious personal injury.
	No-Hands Symbol	Failure to keep your hands away from the blade will result in serious personal injury.
	No-Hands Symbol	Failure to keep your hands away from the blade will result in serious personal injury.
	Hot Surface	To reduce the risk of injury or damage, avoid contact with any hot surface.

SAFETY INSTRUCTIONS

GENERAL POWER TOOL SAFETY WARNINGS

▲ WARNING: Read all safety warnings and instructions. Failure to follow the warnings and instructions may result in electric shock, fire and/or serious injury.

Save all warnings and instructions for future reference.

The term “power tool” in the warnings refers to your mains-operated (corded) power tool or battery-operated (cordless) power tool.

WORK AREA SAFETY

- **Keep work area clean and well lit.** Cluttered or dark areas invite accidents.
- **Do not operate power tools in explosive atmospheres, such as in the presence of flammable liquids, gases or dust.** Power tools create sparks which may ignite the dust or fumes.
- **Keep children and bystanders away while operating a power tool.** Distractions can cause you to lose control.

ELECTRICAL SAFETY

- **Power tool plugs must match the outlet. Never modify the plug in any way. Do not use any adaptor plugs with earthed (grounded) power tools.** Unmodified plugs and matching outlets will reduce risk of electric shock.
- **Avoid body contact with earthed or grounded surfaces such as pipes, radiators, ranges and refrigerators.** There is an increased risk of electric shock if your body is earthed or grounded.
- **Do not expose power tools to rain or wet conditions.** Water entering a power tool will increase the risk of electric shock.
- **Do not abuse the cord. Never use the cord for carrying, pulling or unplugging the power tool. Keep cord away from heat, oil, sharp edges or moving parts.** Damaged or entangled cords increase the risk of electric shock.
- **When operating a power tool outdoors, use an extension cord suitable for outdoor use.** Use of a cord suitable for outdoor use reduces the risk of electric shock.
- **If operating a power tool in a damp location is unavoidable, use a ground fault circuit interrupter (GFCI) protected supply.** Use of a GFCI reduces the risk of electric shock.

PERSONAL SAFETY

- **Stay alert, watch what you are doing and use common sense when operating a power tool. Do not use tool while tired or under the influence of drugs, alcohol, or medication.** A moment of inattention while operating power tools may result in serious personal injury.
- **Use personal protective equipment. Always wear eye protection.** Protective equipment such as dust mask, non-skid safety shoes, hard hat, or hearing protection used for appropriate conditions will reduce personal injuries.
- **Prevent unintentional starting. Ensure the switch is in the off-position before connecting to power source and/or battery pack, picking up or carrying the tool.** Carrying power tools with your finger on the switch or energizing in power tools that have the switch on invites accidents.
- **Remove any adjusting key or wrench before turning the power tool on.** A wrench or a key left attached to a rotating part of the power tool may result in personal injury.
- **Do not overreach. Keep proper footing and balance at all times.** This enables better control of the power tool in unexpected situations.
- **Dress properly. Do not wear loose clothing or jewelry. Keep your hair, clothing and gloves away from moving parts.** Loose clothes, jewelry or long hair can be caught in moving parts.
- **If devices are provided for the connection of dust extraction and collection facilities, ensure these are connected and properly used.** Use of these devices can reduce dust-related hazards.

POWER TOOL USE AND CARE

- **Do not force the power tool. Use the correct power tool for your application.** The correct power tool will do the job better and more safely at the rate for which it was designed.
- **Do not use the power tool if the switch does not turn it on and off.** Any power tool that cannot be controlled with the switch is dangerous and must be repaired.
- **Disconnect the plug from the power source and/or the battery pack from the power tool before making any adjustments, changing accessories, or storing power tools.** Such preventive safety measures reduce the risk of starting the power tool accidentally.
- **Store idle power tools out of the reach of children and do not allow persons unfamiliar with the power tool or these instructions to operate the power tool.** Power tools are dangerous in the hands of untrained users.

- **Maintain power tools. Check for misalignment or binding of moving parts, breakage of parts and any other condition that may affect the power tool's operation. If damaged, have the power tool repaired before use.** Many accidents are caused by poorly maintained power tools.
- **Keep cutting tools sharp and clean.** Properly maintained cutting tools with sharp cutting edges are less likely to bind and are easier to control.
- **Use the power tool, accessories and tool bits etc., in accordance with these instructions, taking into account the working conditions and the work to be performed.** Use of the power tool for operations different from those intended could result in a hazardous situation.

BATTERY TOOL USE AND CARE

- **Recharge only with the charger specified by the manufacturer.** A charger that is suitable for one type of battery pack may create a risk of fire when used with another battery pack.
- **Use power tools only with specifically designated battery packs.** Use of any other battery packs may create a risk of injury and fire.
- **When battery pack is not in use, keep it away from other metal objects, like paper clips, coins, keys, nails, screws or other small metal objects that can make a connection from one terminal to another.** Shorting the battery terminals together may cause burns or a fire.
- **Under abusive conditions, liquid may be ejected from the battery; avoid contact. If contact accidentally occurs, flush with water. If liquid contacts eyes, additionally seek medical help.** Liquid ejected from the battery may cause irritation or burns.

SERVICE

- **Have your power tool serviced by a qualified repair person using only identical replacement parts.** This will ensure that the safety of the power tool is maintained.
- **Follow instructions in the Maintenance section of this manual.** Use of unauthorized parts or failure to follow Maintenance instructions may create a risk of shock or injury.

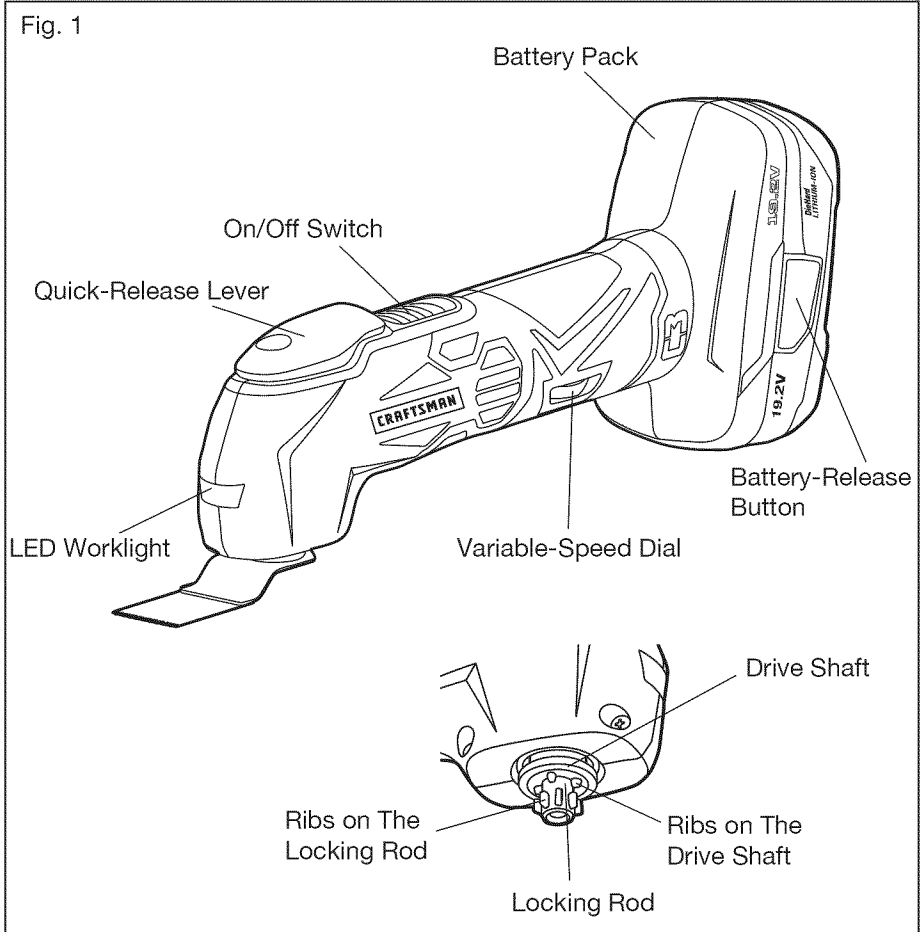
SPECIFIC SAFETY RULES FOR MULTI-TOOLS

- **Hold power tool by insulated gripping surfaces, when performing an operation where the cutting accessory may contact hidden wiring.** Cutting accessory contacting a "live" wire may make exposed metal parts of the power tool "live" and could give the operator an electric shock.
- **Take protective measures when dust can develop during working that is harmful to one's health, combustible or explosive.**

- **Some dusts are regarded as carcinogenic.** Wear a dust mask and work with dust/chip extraction when connectable.
- **Use the machine only for dry sanding.** Penetration of water into the machine increases the risk of an electric shock.
- **Secure the workpiece.** A workpiece clamped with clamping devices or in a vice is held more securely than by hand.
- **Wear protective gloves when changing cutting tools.** Cutting tools become hot after prolonged usage.

DESCRIPTION

KNOW YOUR MULTI-TOOL WITH QUICK BLADE RELEASE (Fig. 1)



PRODUCT SEPCIFICATIONS

Motor	19.2 Volt DC
Oscillation Rate	7500-15000/min
Oscillation Angle	± 1.4 degrees

⚠ WARNING: The safe use of this product requires an understanding of the information on the tool and in this operators manual, as well as knowledge of the project you are attempting. Before use of this product, familiarize yourself with all operating features and safety rules.

QUICK-RELEASE LEVER

The quick-release lever allows for tool-less application tool exchange.

VARIABLE-SPEED ADJUSTMENT DIAL

The variable-speed dial is located on the left side of your tool for selecting the appropriate speed.

LED WORKLIGHT

The LED worklight is located in the front of the tool. This feature provides extra light for increased visibility.

ASSEMBLY

⚠ WARNING: If any parts are broken or missing, do not attempt to attach the battery or operate the tool until the broken or missing parts are replaced. Failure to do so could result in possible serious injury.

⚠ WARNING: Do not attempt to modify this tool or use accessories not recommended for use with this tool. Any such alteration or modification is misuse and could result in a hazardous condition leading to possibly serious injury.

⚠ WARNING: To prevent accidental starting that could cause serious personal injury, always remove the battery pack from the tool when assembling parts.

UNPACKING

This product has been shipped completely assembled.

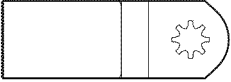
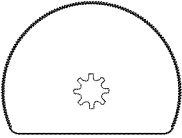
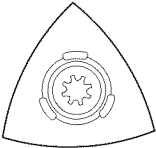
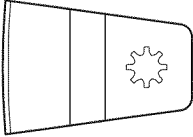
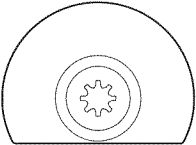
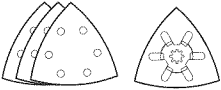
- Carefully remove the tool and accessories from the box. Make sure that all items listed in the packing list are included.
- Inspect the tool carefully to make sure that no breakage or damage occurred during shipping.
- Do not discard the packing material until you have carefully inspected and satisfactorily operated the tool.

PACKING LIST

320.38598 tool kit: includes Multi-tool (1), Flush Cut Blade (1), Circular Saw blade (1), Carbide Triangular Rasp (1), Scraper Blade (1), Carbide Circular Rasp(1), Sanding Pad (1), Sandpapers (9) and Operator's manual.

320.38599 tool only: includes Multi-tool (1), Flush Cut Blade (1), Sanding Pad (1), Sandpapers (8) and Operator's manual.

SELECTING THE APPLICATION TOOL

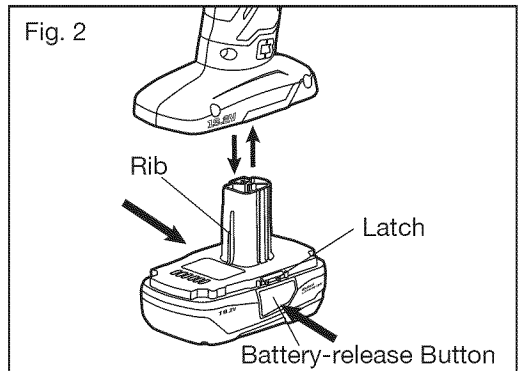
APPLICATION TOOL		MATERIALS
	Flush Cut Blade	Wood, Plastic, Drywall, Soft Metals and other materials
	Circular Saw Blade	Wood, Plastic, Drywall, Non-Ferrous Metals, Thin Sheet Metal and other materials
	Carbide Triangular Rasp	Hardened Adhesives, Thinset, Wood, Masonry
	Scraper Blade	Paint & Varnish, Bonded Carpet, Soft Adhesives, Vinyl Flooring, Wood and other floor coverings
	Carbide Circular Rasp	Grout, Plaster, Porous Concrete and Masonry
	Sanding Pad and Sandpaper	Bare or Painted Wood, Plaster, other surfaces, depending on sandpaper grit

OPERATION

TO ATTACH BATTERY PACK (Fig. 2)

1. Make sure that the tool is “OFF.”
2. Align the raised rib on the battery pack with groove inside the multi-tool, and then insert the battery pack into the tool.

NOTICE: Make sure that the latch on the battery pack snaps into place and the battery pack is secured to the tool before beginning operation. Improper assembly of the battery pack can cause damage to internal components.



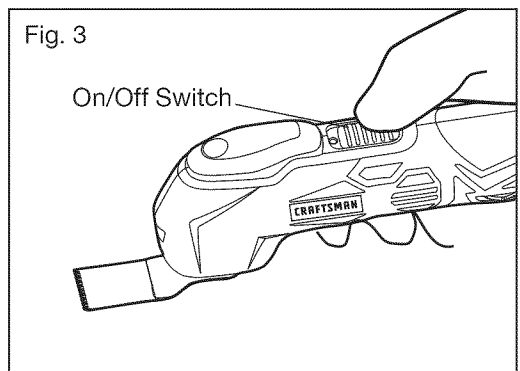
TO DETACH BATTERY PACK (Fig. 2)

1. Make sure that the tool is “OFF.”
2. Depress both battery-release buttons, located on the sides of the battery pack, to release the battery pack.
3. Pull the battery pack out and remove it from the tool.

⚠ WARNING: Battery tools are always in operating condition; therefore, the on/ off switch should always be in the “OFF” position when not in use or carrying the tool at your side.

ON/OFF SWITCH (Fig. 3)

To turn the tool on, push the on/ off switch forward. To turn it off, push the switch backward.

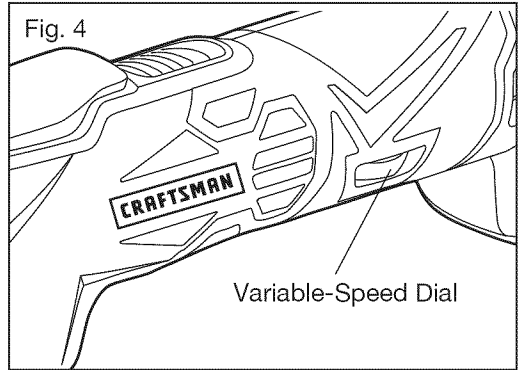


VARIABLE-SPEED DIAL (Fig. 4)

The variable-speed feature on this multi-tool allows you to match the proper speed to the material being cut, sawed, scraped or sanded, enhancing the overall performance of your tool and helping to save the application tool from undue wear.

1. The variable-speed dial is used to adjust the speed of the application tool.
2. Turn the dial to increase or decrease the speed (Fig. 4).
3. Position “1” selects the slowest speed; position “6” selects the fastest speed. Adjust the application tool speed for optimum performance.

NOTICE: Determine the optimum speed by making a trial cut in a scrap piece of material.

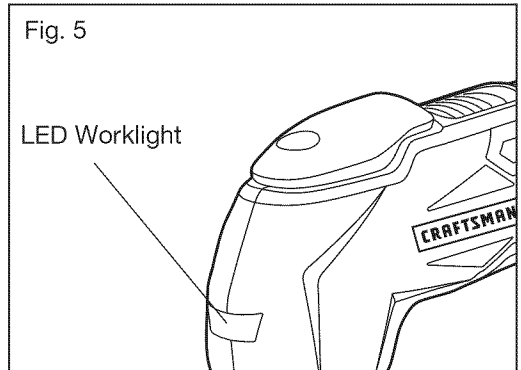


LED WORKLIGHT (Fig. 5)

The LED worklight, located on the front of the tool, will illuminate when the on/off switch is in the forward (ON) position. This provides additional light on the surface of the workpiece. Slide the switch backwards to turn the worklight off .

NOTICE: To help prevent accidental starting, if the switch is in the ON position when the battery pack is inserted, the LED light will flash to warn the user to turn the tool off.

The LED worklight will begin flash slowly if the tool becomes overloaded or if the temperature becomes too high during use.



ATTACHING AND REMOVING THE APPLICATION TOOLS (Figs. 6, 7 and 8)

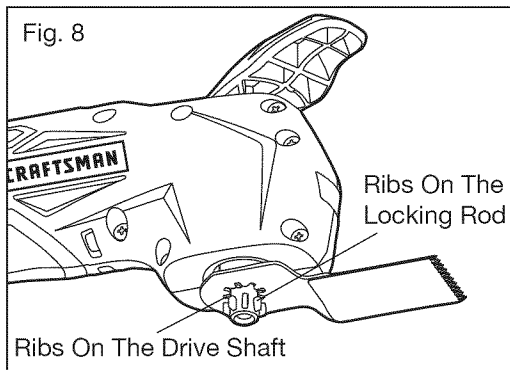
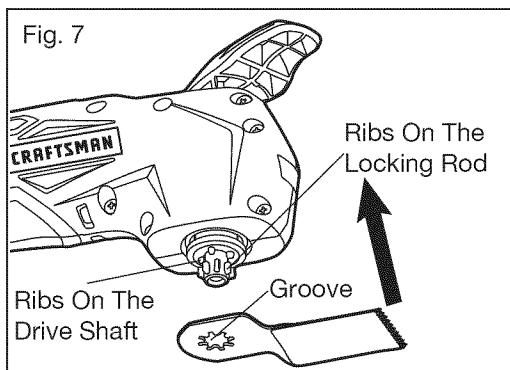
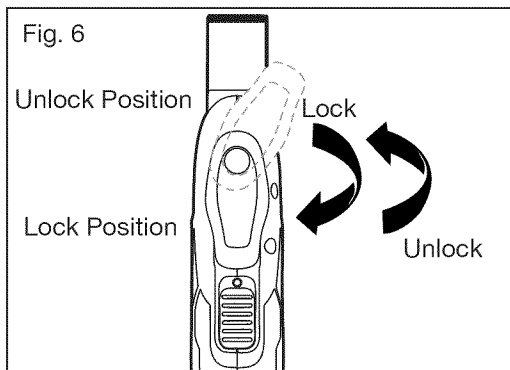
⚠ WARNING: Failure to remove the battery pack from the tool when assembling parts, making adjustments, or changing application tools could result in accidental starting and possibly cause serious injury.

⚠ CAUTION: For all work or when changing application tools, always wear protective gloves. The sharp edges of the application tools will cause personal injury. Application tools can become very hot during use.

⚠ WARNING: Check that the application tools are correctly attached. Incorrect or insecurely fastened tools can come loose during operation and cause a hazard.

ATTACHING THE APPLICATION TOOLS

1. Remove the battery pack from the multi-tool.
2. Turn the Quick-release lever on the top of the tool counter-clockwise until you hear a “click” to signal that the lever has been fully engaged to unlock the clamping mechanism (Fig. 6).
3. Ensure that the locking rod and the drive shaft are clean.
4. Align the grooves on the application tool with the ribs on the locking rod. Put the application tool onto locking rod and adjust the application tool so that it engages with the ribs on the drive shaft (Figs. 7 and 8).
5. Turn the Quick-release lever on the top on the tool clockwise until you hear a “click” to signal that the lever has been fully engaged to lock the clamping mechanism (Fig. 6).



⚠ WARNING: To avoid pinching, firmly hold the Quick-release lever when fastening the application tool. Avoid placing hands or fingers between the lever and tool body. You should also avoid placing your hands or fingers between locking rod and drive shaft.

REMOVING THE APPLICATION TOOLS

1. Remove the battery pack from the multi-tool.
2. Turn the Quick-release lever on the top of the tool counter-clockwise until you hear a “click” to signal that the lever has been fully engaged to unlock the clamping mechanism (Fig. 6).
3. Adjust the application tool to take it off the locking rod.

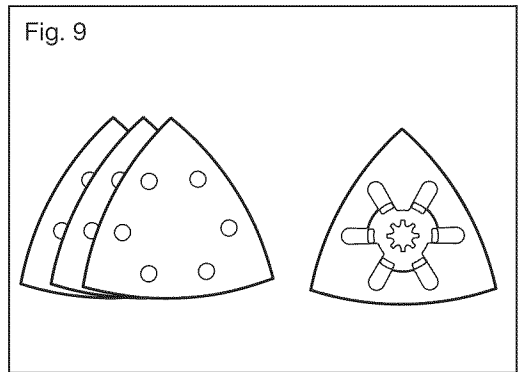
⚠ WARNING: Don't let the locking rod face the ground when removing the application tool, it may cause the application tool fall off the locking rod unexpectedly.

The ribs on the drive shaft and the grooves in the application tools (Fig. 14) permit a firm connection of the application tools in increments of 45° around the shaft, from 0° to 315° (Fig. 15). Apply the application tool in the orientation appropriate to the task at hand.

⚠ WARNING: Do not attach the circular saw blade, the flush cut blade, the scraper blade or carbide circular rasp facing backwards, as operation in this position may cause serious injury.

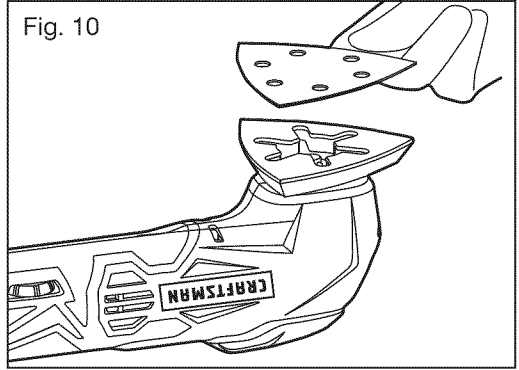
SANDPAPER KIT DESCRIPTION (Fig. 9)

- Always apply to the compatible sanding plate (supplied with your tool).
- Sandpaper kit is also compatible with the Bosch PMF180E and GOP 10.8V-Li.



TO INSTALL AND REMOVE THE SANDPAPER (Fig. 10)

1. Follow the directions for ATTACHING AND REMOVING THE APPLICATION TOOLS to attach and remove the sanding plate to the Multi-Tool.
2. Align the sandpaper with the sanding plate and use your hand to press it firmly onto the sanding plate.
3. Briefly press the sandpaper firmly against a smooth surface, then switch on the tool. The burr will form a non-slip bond with the outer edge of the sandpaper felt. This will avoid premature wear.
4. If one point on the sandpaper becomes worn, pull off the sandpaper, turn it 120° and place it on the sanding plate again.

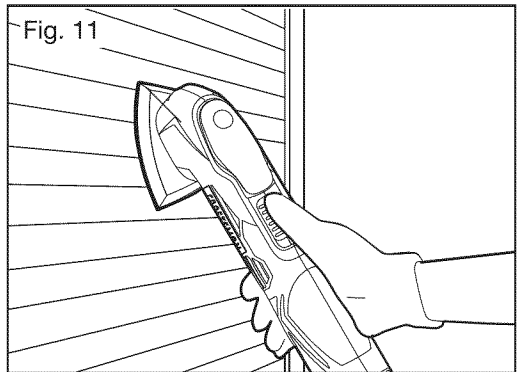


⚠ WARNING: Check that the sanding plate and sandpaper are correctly attached. An incorrect or insecurely fastened application tool can come loose during operation and cause a hazard.

SANDING (Fig. 11)

⚠ WARNING: Do not touch the motor housing after prolonged use; it could be very hot.

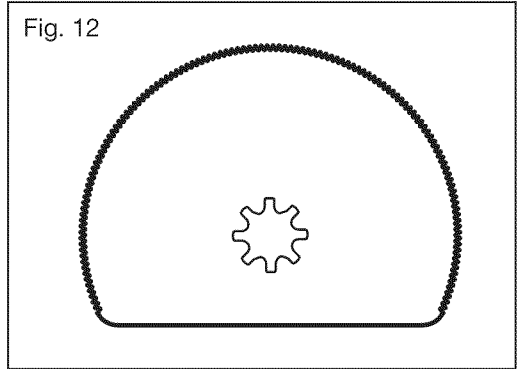
- The removal rate and the sanding pattern are determined by the choice of sanding sheet and the work surface.
- Apply uniform sanding pressure to extend the life of the sanding sheets.
- Intensifying the sanding pressure does not lead to an increase of the sanding capacity, but increases wear on the machine and the sanding sheet.
- Use only the tip or an edge of the sanding sheet for precise sanding of edges, corners and hard to reach areas.
- When selectively sanding on one spot, the sanding sheet can heat up considerably. Remove the tool from the surface periodically to permit the sanding sheet to cool down.



- A sanding sheet that has been used for metal should not be used for other materials.
- Use only Craftsman sanding accessories.

**CIRCULAR SAW
BLADE DESCRIPTION
(67651) (Fig. 12)**

- High-speed, steel, circular cutting blade.
- Designed for cutting wood, plastic, drywall, non-ferrous metals, thin sheet metal and other materials.
- The circular saw blade is also compatible with the Fein Multi-Master and Craftsman Nextec Multi-tool.



TO INSTALL AND REMOVE THE CIRCULAR SAW BLADE

⚠ CAUTION: Wear protective gloves.

⚠ WARNING: Use sharp, undamaged saw blades only. Deformed or blunt saw blades or saw blades that are otherwise damaged can break.

⚠ WARNING: When sawing light building materials, observe the precautions and the recommendations of the material suppliers.

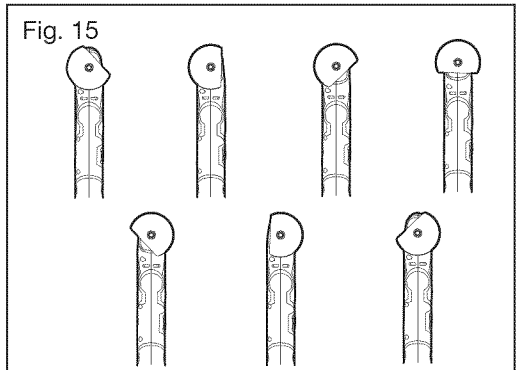
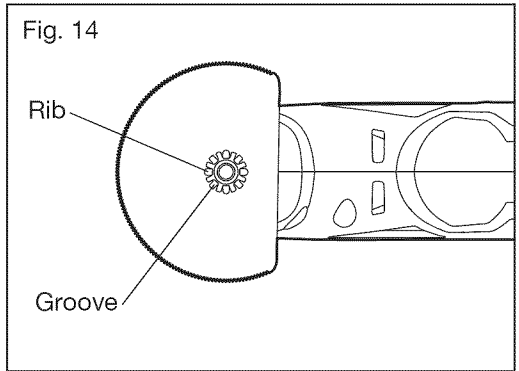
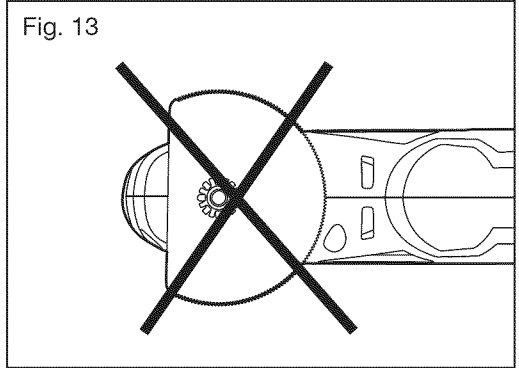
⚠ WARNING: Plunge cuts may only be applied to soft materials, such as wood, gypsum plaster boards, etc.

⚠ WARNING: The sawing teeth are very sharp. Do not touch during mounting and application.

Follow the directions for ATTACHING AND REMOVING THE APPLICATION TOOLS to attach and remove the circular saw blade to the Multi-Tool.

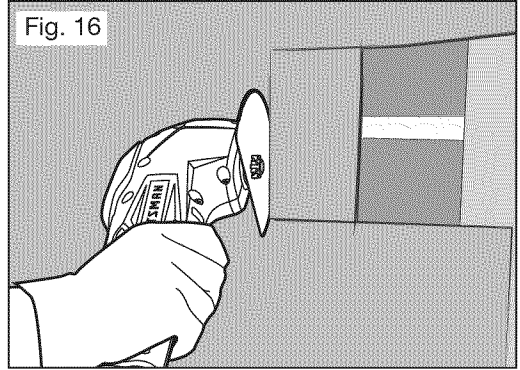
The ribs on the drive shaft and the grooves in the circular saw blades (Fig. 14) permit a firm connection of the saw blades in increments of 45° around the shaft, from 0° to 315° (Fig. 15). Apply the circular saw blade in the orientation appropriate to the task at hand.

⚠ WARNING: Do not attach the circular saw blade facing backwards. Backwards attachment may result in user injury (Fig. 13).



CUTTING WITH THE CIRCULAR SAW BLADE (Fig. 16)

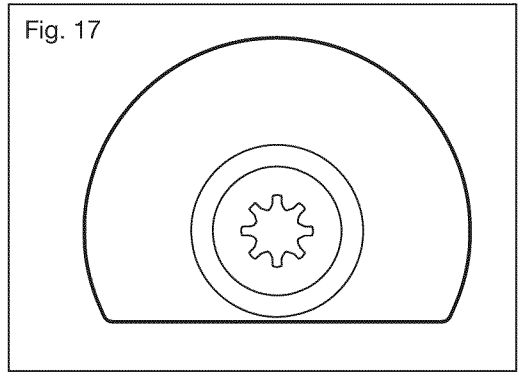
1. Insert the battery pack into the multi-tool.
2. Securely clamp the workpiece, if necessary.
3. Draw cutting lines on the workpiece.
4. Turn on the tool and allow it to come to the full desired speed.
5. Apply the the cutting blade to the workpiece and make the cut.



CARBIDE CIRCULAR RASP DESCRIPTION (67650) (Fig. 17)

The carbide circular rasp is designed to cut out the grout around wall tiles. It can also be used to cut plaster, porous concrete and masonry.

- Carbide-tipped, circular grout disc.
- Designed for grout, plaster, masonry or porous concrete removal around the wall tiles.
- The carbide circular rasp is compatible with Fein Multi-Master Tool and Craftsman Nextec Multi-tool.



TO INSTALL AND REMOVE THE CARBIDE CIRCULAR RASP

⚠ WARNING: Use sharp, undamaged saw blades only. Deformed, blunt saw blades or saw blades that are otherwise damaged can break.

⚠ WARNING: When sawing light building materials, observe the precautions and the recommendations of the material suppliers.

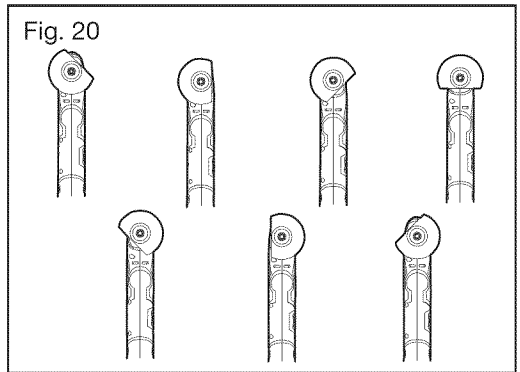
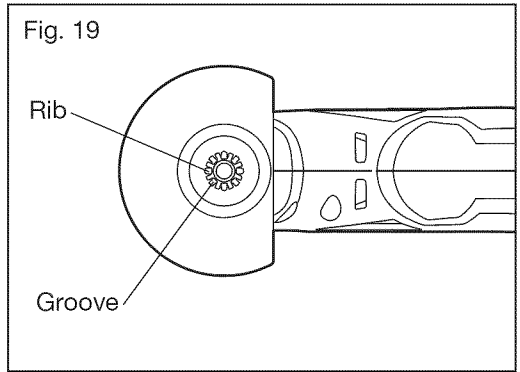
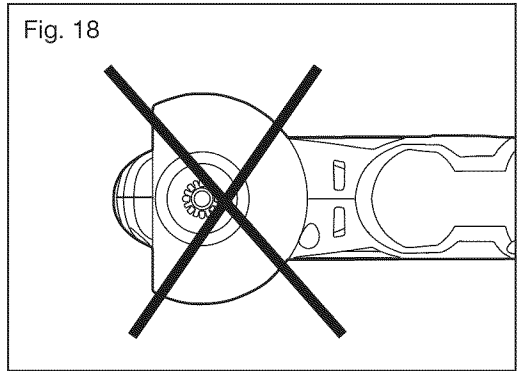
⚠ WARNING: Plunge cuts may only be applied to soft materials, such as wood, gypsum plaster boards, etc.

⚠ CAUTION: Wear protective gloves.

Follow the directions for ATTACHING AND REMOVING THE APPLICATION TOOLS to attach and remove the carbide circular rasp to the Multi-Tool.

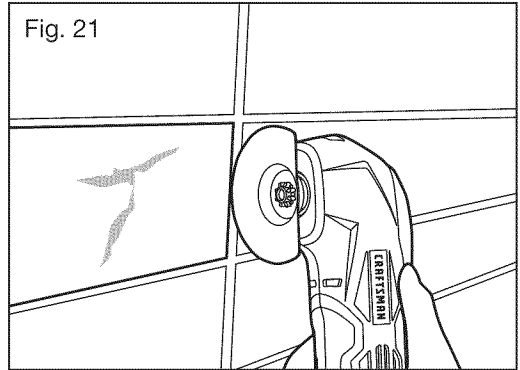
The ribs on the drive shaft and the grooves in the rasp (Fig. 19) permit a firm connection of the rasp in increments of 45° around the shaft, from 0° to 315° (Fig. 20). Apply the rasp in the orientation appropriate to the task at hand.

⚠ WARNING: Do not attach the circular rasp facing backwards. Backwards attachment may result in user injury (Fig. 18).



CUTTING GROUT WITH THE CARBIDE CIRCULAR RASP (Fig. 21)

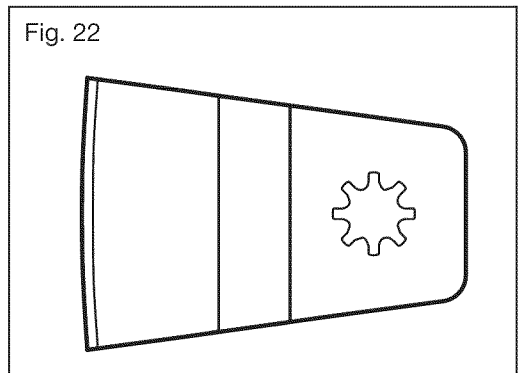
1. Insert the battery pack into the multi-tool.
2. Draw the cutting lines on the workpiece.
3. Turn on the tool and allow it to come to the full desired speed.
4. Place the carbide circular rasp against the workpiece at a 90° angle.
5. Cut out the grout around the tile, then use a hand chisel to remove the tile from the wall.



NOTICE: When cutting grout, masonry and porous cement, take into consideration that the application tools/accessories wear heavily when used for longer periods of time.

SCRAPER BLADE DESCRIPTION (67652) (Fig. 22)

- Steel scraping blade designed for paint & varnish, bonded carpet, soft adhesives, vinyl flooring, wood and other floor coverings.
- The scraper blade is also compatible with the Fein Multi-Master Tool and Craftsman Nextec Multi-tool.



TO INSTALL AND REMOVE THE SCRAPER BLADE

CAUTION: Wear protective gloves.

WARNING: Check that the application tool is correctly attached. Incorrect or insecurely fastened application tool can come loose during operation and cause a hazard.

Follow the directions for ATTACHING AND REMOVING THE APPLICATION TOOLS to attach and remove the scraper blade to the Multi-Tool.

The ribs on the drive shaft and the grooves in the scraper blade (Fig. 24) permit a firm connection of the scraper blade in increments of 45° around the shaft, from 0° to 315° (Fig. 25). Apply the scraper blade in the orientation appropriate to the task at hand.

⚠ WARNING: Do not attach the scraper blade facing backwards, as operation in this position may cause serious injury (Fig. 23).

Fig. 23

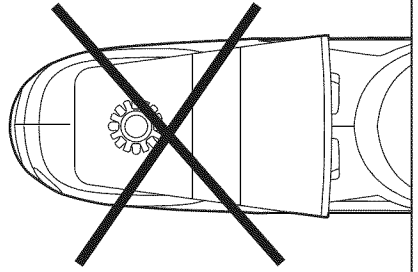


Fig. 24

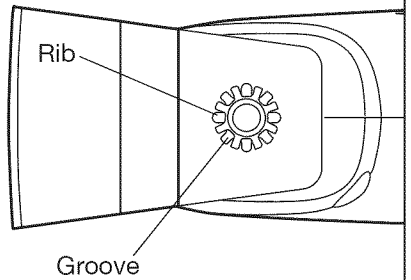
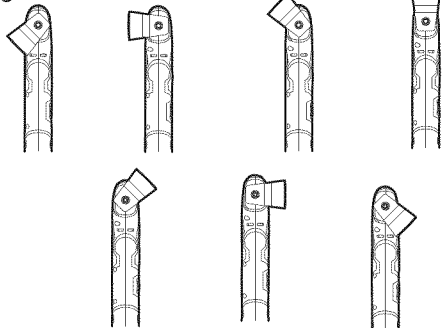
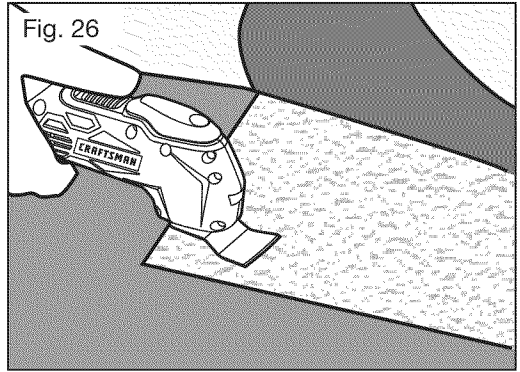


Fig. 25



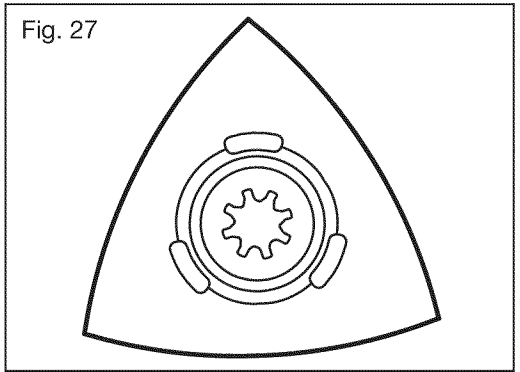
USING THE SCRAPER BLADE (Fig. 26)

1. Insert the battery pack into the multi-tool.
2. Turn on the tool and allow it to come to the full desired speed.
3. To scrape, put the tool on the workpiece at a flat angle (not more than 20°), and apply only light pressure, so as to not cut into the surface.
4. To cut and remove carpet, first place the scraper blade vertically on the carpet, then switch the tool on, and cut through the carpet to the floor. Next, place the blade flat between the carpet and the floor to remove the adhesive and free the carpet from the floor.



CARBIDE TRIANGULAR RASP DESCRIPTION (67654) (Fig. 27)

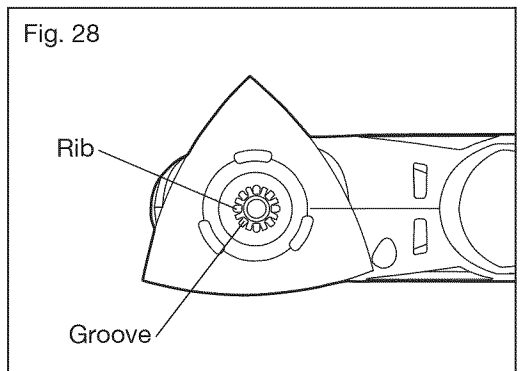
- Carbide tipped triangular grout rasp.
- Designed for grout, masonry, thinset, wood and removal of hardened adhesives on the wall tiles.
- The triangular rasp is also compatible with the Fein Multi- Master Tool and Craftsman Nextec Multi-tool.



TO INSTALL AND REMOVE THE CARBIDE TRIANGULAR RASP (Fig. 28)

CAUTION: Wear protective gloves.

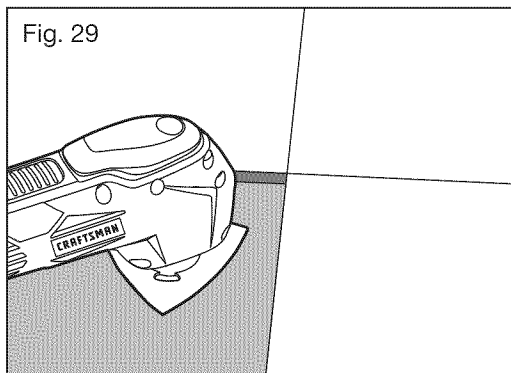
Follow the directions for ATTACHING AND REMOVING THE APPLICATION TOOLS to attach and remove the carbide triangular rasp to the Multi-Tool.



The ribs on the drive shaft and the grooves in the triangular rasp (Fig. 28) permit a firm connection of the triangular rasp in increments of 45° around the shaft (from 0° to 315°). Apply the triangular rasp in the orientation appropriate to the task at hand.

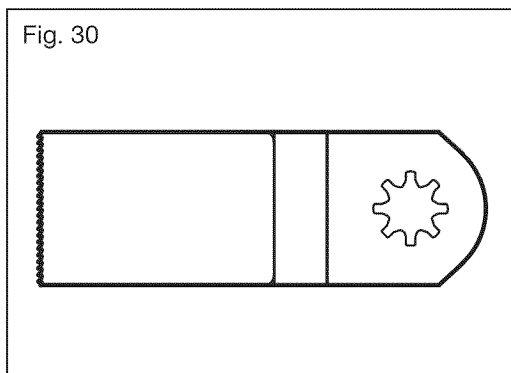
USING THE CARBIDE TRIANGULAR RASP (Fig. 29)

1. Insert the battery pack into the multi-tool.
2. Draw the cutting lines on the workpiece.
3. Turn on the tool and allow it to come to the full desired speed.
4. Put the rasp flat against the workpiece and apply appropriate pressure.
5. Remove any hardened adhesive or grout on the surface of the wall tiles.



FLUSH CUT BLADE DESCRIPTION (67653) (Fig. 30)

- Bi-metal, straight-edge, flush cut blade.
- Designed for cutting wood, plastic, drywall, soft metal and other materials.
- Can plunge and saw with a slight pendulum action in wood.
- The flush cut blade is also compatible with the Fein Multi-Master Tool and Craftsman Nextec Multi-tool.



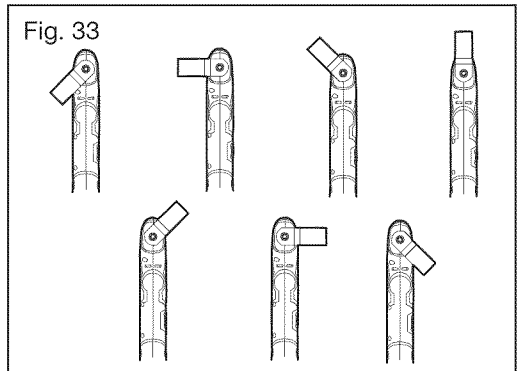
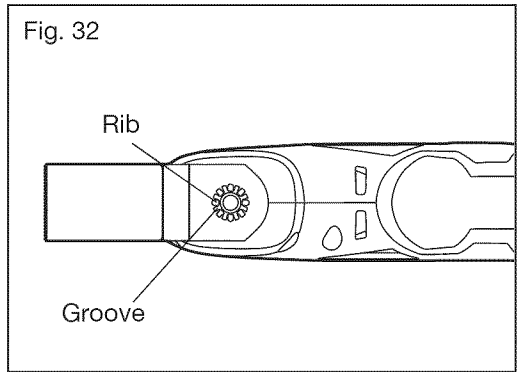
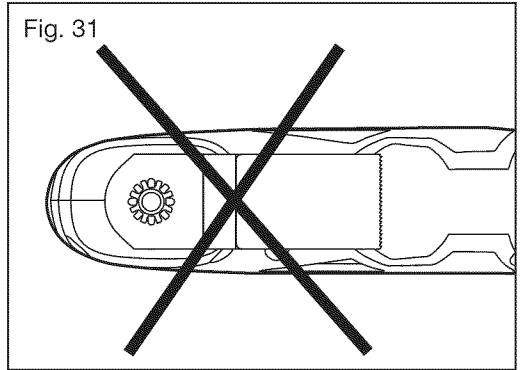
TO INSTALL AND REMOVE THE FLUSH CUT BLADE

⚠ CAUTION: Wear protective gloves.

Follow the directions for ATTACHING AND REMOVING THE APPLICATION TOOLS to attach and remove the flush cut blade to the Multi-Tool.

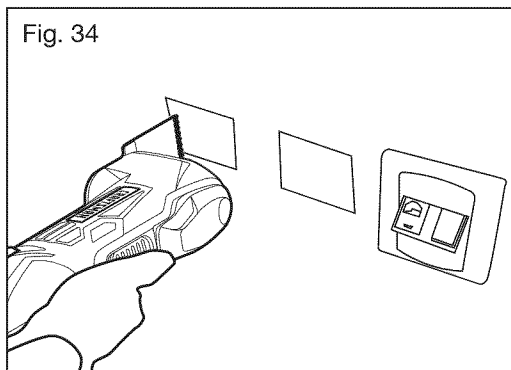
The ribs on the drive shaft and the grooves in the flush cut blade (Fig. 32) permit a firm connection of the flush cut blade in increments of 45° around the shaft (Fig. 33). Apply the flush cut blade in the orientation appropriate to the task at hand.

⚠ WARNING: Do not attach the flush cut blade facing backwards, as operation in this position may cause serious injury (Fig. 31).



USING THE FLUSH CUT BLADE (Fig. 34)

1. Insert the battery pack into the multi-tool.
2. Clamp the workpiece securely.
3. Draw the cutting lines on the workpiece.
4. Turn on the tool and allow it to come to the full desired speed.
5. Cut the workpiece along the line and apply with appropriate pressure until the blade cuts to the depth needed according to the scale on the blade.



ACCESSORIES

NOTICE: The multi-tool can also be used with other Craftsman accessories (sold separately) listed below:

MODEL	DESCRIPTION
67650	Carbide Circular Rasp
67651	Circular Saw Blade
67652	Scraper Blade
67653	Flush Cut Saw Blade
67654	Carbide Triangular Rasp
67655	Sandpaper Kit (60, 120, 180 grit)
17374	Sandpaper Kit (220, 280, 320 grit)
17375	Detail Saw Blade
17376	Rough Cut Saw Blade
30858	Caulk Removal blade
30753	Sanding Pad
3102	Felt Polishing Pad
31022	Detail Sanding Blade
31023	Detail Sandpaper
2549	3/4-in. Detail Straight Edge Saw Blade
25494	Elongated Straight Blade

MAINTENANCE

⚠ WARNING: To avoid serious personal injury, always remove the battery pack from the tool when cleaning or performing any maintenance.

⚠ WARNING: Always wear safety goggles or safety glasses with side shields when using compressed air to clean the tool. If the operation is dusty, also wear a dust mask.

GENERAL MAINTENANCE

Avoid using solvents when cleaning plastic parts. Most plastics are susceptible to damage from various types of commercial solvents and may be damaged by their use. Use clean cloths to remove dirt, dust, oil, grease, etc.

⚠ WARNING: Do not at any time allow brake fluids, gasoline, petroleum-based products, penetrating oils, etc. to come in contact with plastic parts. Chemicals can damage, weaken or destroy plastic which may result in serious personal injury.

⚠ WARNING: When servicing, use only identical Craftsman replacement parts. Use of any other parts may create a hazard or cause product damage. To ensure safety and reliability, all repairs should be performed by a qualified service technician.

TROUBLE SHOOTING

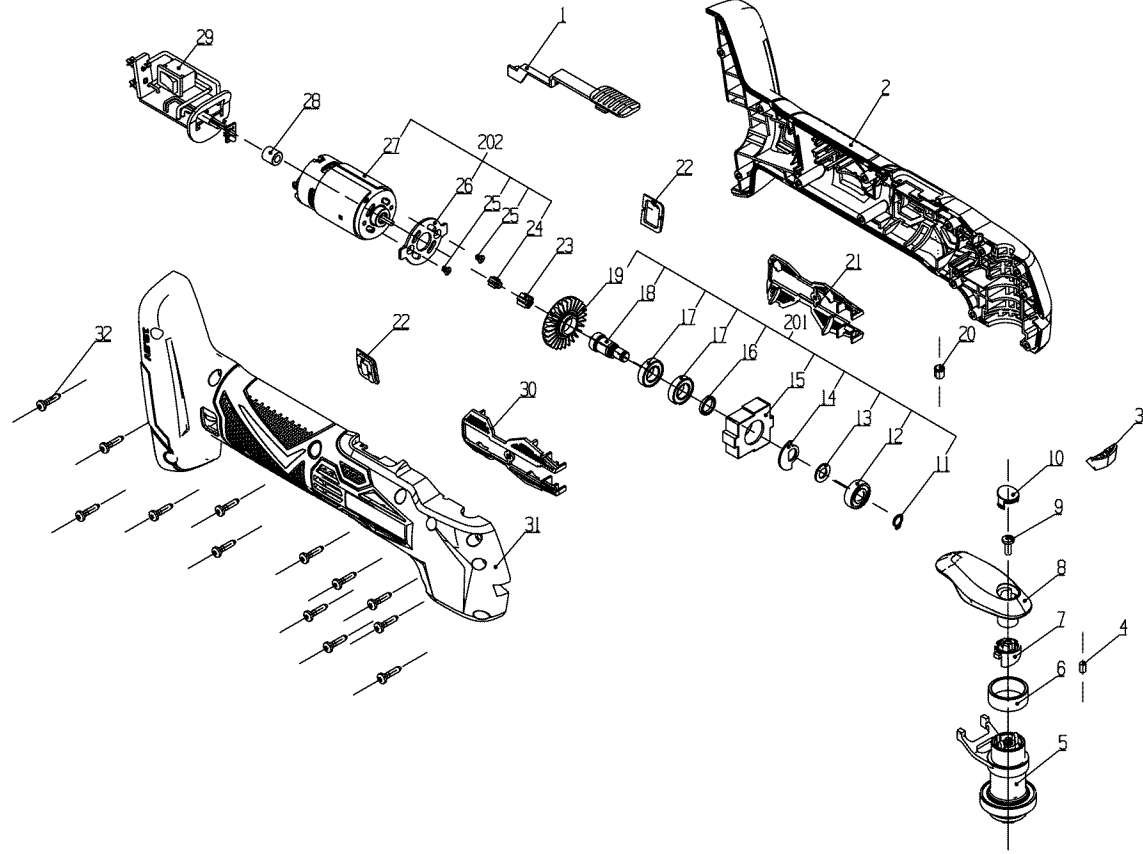
PROBLEM	CAUSE	SOLUTION
The tool does not work	Battery is depleted	Charge the battery
Bit cannot be installed	Chuck is not open	Open the chuck
Motor overheating	Be sure cooling vents are free from saw dust and obstacles	Clean, clear vents. Do not cover vents with hand during operation

PARTS LIST

MULTI-TOOL WITH QUICK BLADE RELEASE MODEL NO. 320.38598/38599

The Model Number will be found on the Nameplate attached to the handle of the multi-tool. Always mention the Model Number when ordering parts for this tool.

To order parts, call 1-800-469-4663.



PARTS LIST

MULTI-TOOL WITH QUCIK BLADE RELEASE MODEL NO. 320.38598/38599

The Model Number will be found on the Nameplate attached to the handle of the multi-tool. Always mention the Model Number when ordering parts for this tool.

To order parts, call 1-800-469-4663.

No	Part No	Part Name	QTY
1	3127167000	Switch Actuator	1
2	3321604000	Left Housing	1
3	3127223000	Transparent Cap	1
4	3121038000	Rubber Stick	1
5	2822197000	Quick Clamp Assembly	1
6	5700273000	Oil Impreging Bearing	1
7	3420680000	Cam	1
8	3127222000	Lever	1
9	5620039000	Screw	1
10	3124409000	Screw Cover	1
201	2823627000	Eccentric Shaft Assembly	1
11	5660144000	Circlips For Shaft	1
12	5700205000	Ball Bearing	1
13	3700352000	Washer	1
14	3704682000	Counterweight	1
15	3520765000	Bearing Holder	1
16	3551802000	Bush	1
17	5700012000	Ball Bearing	2
18	3552056000	Eccentric Shaft	1
19	3125160000	Fan	1
20	5700214000	Orientation Ball	1
21	3127177000	Left Mesh	1
22	3123783000	Logo	2
23	3125163000	Spring Connector	1
202	2822200000	Motor Assembly	1
24	3551431000	Connector	1
25	5620062000	Screw	2
26	3705552000	Motor Support	1
27	2730197000	DC Motor	1
28	3680140000	Magnet Ring	1
29	2830001000	Electric Assembly	1
30	3127178000	Right Mesh	1
31	3321605000	Right Housing	1
32	5610225000	Hexagon Lobular Screw	13

