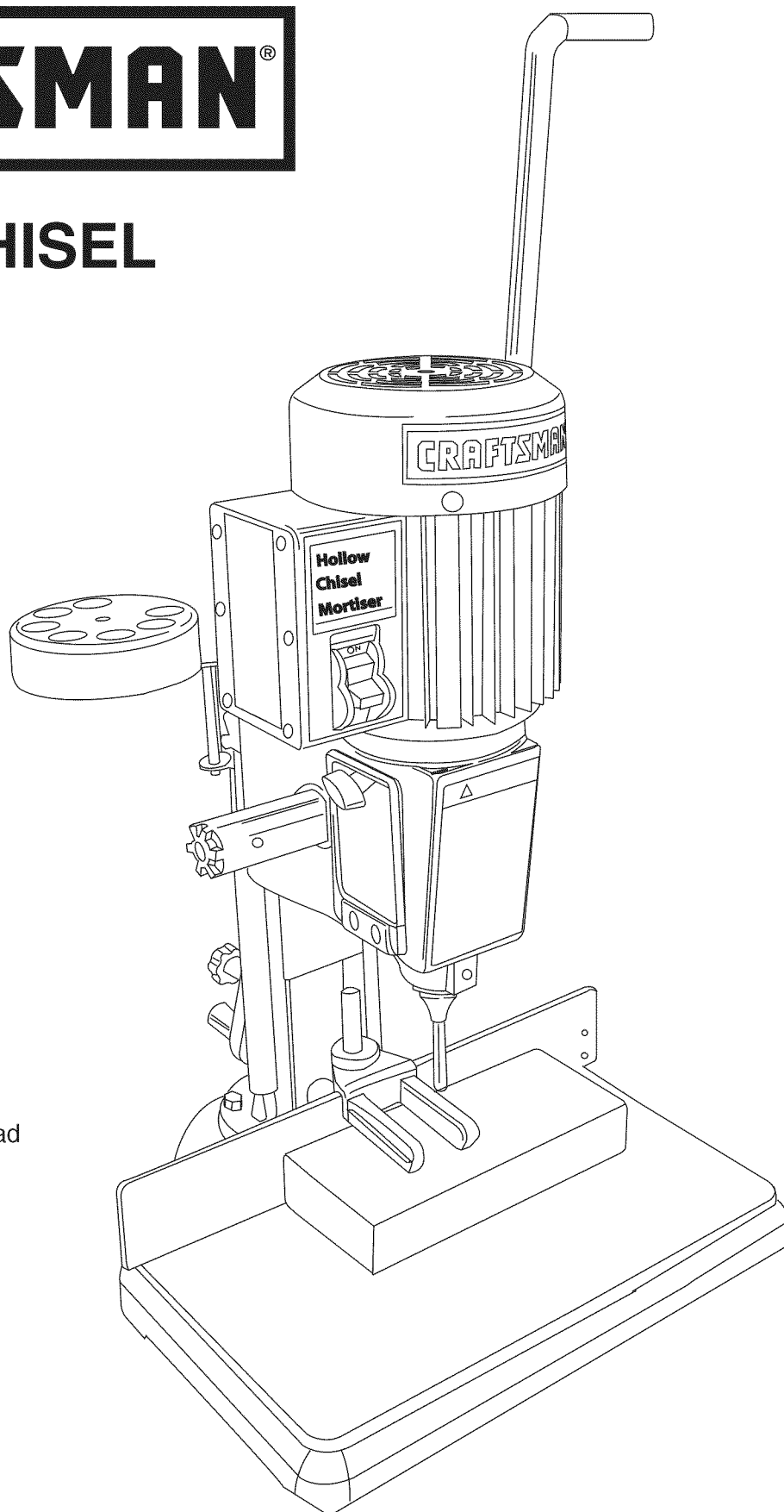


# Instruction Manual



## HOLLOW CHISEL MORTISER

Model No.  
351.219071



### CAUTION:

FOR YOUR OWN SAFETY; Read and follow all of the Safety and Operating Instructions before Operating this Mortiser.

Customer Helpline  
**1-800-266-9079**  
Please have your Model No.  
and Serial No. available.

Sears, Roebuck and Co., Hoffman Estates, IL 60179 U.S.A.

Part No. OR93760

VER 9.08

Español, pg. 29

# TABLE OF CONTENTS

SECTION	PAGE
Warranty .....	2
Product Specifications.....	2
Safety Instructions .....	3
Guidelines for extension cords.....	4
Grounding Instructions.....	5
Specific Safety Instructions .....	6
Accessories and Attachments .....	7
Carton Contents .....	8
Know Your Mortiser.....	9
Assembly Instructions .....	10
Operations and Adjustment .....	16
Maintenance.....	24
Troubleshooting Guide .....	25
Part List .....	26
Español.....	29
Service Information.....	Back Page

## WARRANTY

### ONE-YEAR FULL WARRANTY ON CRAFTSMAN TOOL

If this Craftsman tool fails due to a defect in material or workmanship within one year from the date of purchase, CALL 1-800-4-MY-HOME® TO ARRANGE FOR FREE REPAIR (or replacement if repair proves impossible).

If this tool is used for commercial or rental purposes, this warranty will apply for only ninety days from the date of purchase.

This warranty applies only while this tool is in the United States.

This warranty gives you specific legal rights, and you may also have other rights, which vary, from state to state.

Sears, Roebuck and Co., Hoffman Estates, IL 60179

## PRODUCT SPECIFICATIONS

Motor type:	Induction	Riser block included	Yes
Continuous duty HP	1/2 hp	Riser block height	2-1/4"
Amps	6	Fence compatible with riser	Yes
Volts	120	Micro-adjust compatible with riser	Yes
Hertz	60	Maximum stroke:	5"
RPM	1725	Under head to base:	8"
Chuck type	Keyed	Chisel center to fence:	3-1/8"
Chuck Maximum capacity	3/8"	Under hold down, down position:	7/8" to 3-1/4"
Chisel sizes:	1/4" x 1/4"	Under hold down, up position:	1-7/8" to 4-1/4"
	5/16" x 5/16"	Fence size:	14-1/2" x 2-1/2"
	3/8" x 3/8"	Base size:	13-3/4" x 8-3/4"
	1/2" x 1/2"	Overall dimensions:	Height: 31"
Micro-adjustment	Yes	Width:	14-1/2"
Bit Holder	Yes	Depth:	16-1/2"
Handle position	Left or right, interchangeable	Weight:	68 lbs.

# SAFETY INSTRUCTIONS

## GENERAL SAFETY INSTRUCTIONS

Operating a Mortiser can be dangerous if safety and common sense are ignored. The operator must be familiar with the operation of the tool. Read this manual to understand this Mortiser. **DO NOT** operate this Mortiser if you do not fully understand the limitations of this tool. **DO NOT** modify this Mortiser in any way. **REMEMBER:** Your personal safety is your responsibility.

## BEFORE USING THE MORTISER

### **WARNING**

To avoid serious injury and damage to the tool, read and follow all of the Safety and Operating Instructions before operating the Mortiser.

### **WARNING**

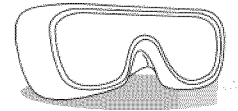
1. Some dust created by using power tools contains chemicals known to the State of California to cause cancer, birth defects, or other reproductive harm. Some examples of these chemicals are:

- Lead from lead-based paints.
- Crystalline silica from bricks, cement, and other masonry products.
- Arsenic and chromium from chemically treated lumber.

Your risk from these exposures varies, depending on how often you do this type of work. To reduce your exposure to these chemicals: work in a well-ventilated area, and work with approved safety equipment, such as those dust masks that are specially designed to filter out microscopic particles.

2. **READ** the entire Owner's Manual. **LEARN** how to use the tool for its intended applications.
3. **GROUND ALL TOOLS.** If the tool is supplied with a 3-prong plug, it must be plugged into a 3-contact electrical receptacle. The 3rd prong is used to ground the tool and provide protection against accidental electric shock. **DO NOT** remove the 3rd prong. See Grounding Instructions.
4. **AVOID A DANGEROUS WORKING ENVIRONMENT. DO NOT** use electrical tools in a damp environment or expose them to rain.
5. **DO NOT** use electrical tools in the presence of flammable liquids or gasses.
6. **ALWAYS** keep the work area clean, well lit, and organized. **DO NOT** work in an environment with floor surfaces that are slippery from debris, grease, and wax.
7. **KEEP VISITORS AND CHILDREN AWAY. DO NOT** permit people to be in the immediate work area, especially when the electrical tool is operating.

8. **DO NOT FORCE THE TOOL** to perform an operation for which it was not designed. It will do a safer and higher quality job by only performing operations for which the tool was intended.
9. **WEAR PROPER CLOTHING. DO NOT** wear loose clothing, gloves, neckties, or jewelry. These items can get caught in the machine during operations and pull the operator into the moving parts. The user must wear a protective cover on their hair, if the hair is long, to prevent it from contacting any moving parts.
10. **ALWAYS WEAR EYE PROTECTION.** Any power tool can throw debris into the eyes during operations, which could cause severe and permanent eye damage. Everyday eyeglasses are **NOT** safety glasses. **ALWAYS** wear Safety Goggles (that comply with ANSI standard Z87.1) when operating power tools. Safety Goggles are available at Sears Retail Stores.



11. **ALWAYS WEAR HEARING PROTECTION.** Plain cotton is not an acceptable protective device. Hearing equipment should comply with ANSI S3.19 Standards.
12. **ALWAYS UNPLUG THE TOOL FROM THE ELECTRICAL RECEPTACLE** when making adjustments, changing parts or performing any maintenance.
13. **KEEP PROTECTIVE GUARDS IN PLACE AND IN WORKING ORDER.**
14. **AVOID ACCIDENTAL STARTING.** Make sure that the power switch is in the "OFF" position before plugging in the power cord to the electrical receptacle.
15. **REMOVE ALL MAINTENANCE TOOLS** from the immediate area prior to turning the tool "ON".
16. **USE ONLY RECOMMENDED ACCESSORIES.** Use of incorrect or improper accessories could cause serious injury to the operator and cause damage to the tool. If in doubt, check the instruction manual that comes with that particular accessory.
17. **NEVER LEAVE A RUNNING TOOL UNATTENDED.** Turn the power switch to the "OFF" position. **DO NOT** leave the tool until it has come to a complete stop.
18. **DO NOT STAND ON A TOOL.** Serious injury could result if the tool tips over or you accidentally contact the tool.
19. **DO NOT** store anything above or near the tool where anyone might try to stand on the tool to reach it.

20. **MAINTAIN YOUR BALANCE. DO NOT** extend yourself over the tool. Wear oil resistant rubber-soled shoes. Keep floor clear of debris, grease, and wax.
21. **MAINTAIN TOOLS WITH CARE.** Always keep tools clean and in good working order. Keep all blades and tool bits sharp.
22. **EACH AND EVERY TIME, CHECK FOR DAMAGED PARTS PRIOR TO USING THE TOOL.** Carefully check all guards to see that they operate properly, are not damaged, and perform their intended functions. Check for alignment, binding or breaking of moving parts. A guard or other part that is damaged should be immediately repaired or replaced.
23. **CHILDPROOF THE WORKSHOP AREA** by removing switch keys, unplugging tools from the electrical receptacles, and using padlocks.
24. **DO NOT OPERATE TOOL IF UNDER THE INFLUENCE OF DRUGS OR ALCOHOL.**
25. **SECURE ALL WORK.** When it is possible, use clamps or jigs to secure the workpiece. This is safer than attempting to hold the workpiece with your hands.
26. **STAY ALERT, WATCH WHAT YOU ARE DOING, AND USE COMMON SENSE WHEN OPERATING A POWER TOOL. DO NOT USE A TOOL WHILE TIRED OR UNDER THE INFLUENCE OF DRUGS, ALCOHOL, OR MEDICATION.** A moment of inattention while operating power tools may result in serious personal injury.
27. **ALWAYS WEAR A DUST MASK TO PREVENT INHALING DANGEROUS DUST OR AIRBORNE PARTICLES,** including wood dust, crystalline silica dust and asbestos dust. Direct particles away from face and body. Always operate tool in well ventilated area and provide for proper dust removal. Use dust collection system whenever possible. Exposure to the dust may cause serious and permanent respiratory or other injury, including silicosis (a serious lung disease), cancer, and death. Avoid breathing the dust, and avoid prolonged contact with dust. Allowing dust to get into your mouth or eyes, or lay on your skin may promote absorption of harmful material. Always use properly fitting NIOSH/OSHA approved respiratory protection appropriate for the dust exposure, and wash exposed areas with soap and water.
28. **USE A PROPER EXTENSION CORD IN GOOD CONDITION.** When using an extension cord, be sure to use one heavy enough to carry the current your product will draw. Please see minimum recommended gauge for extension cords (AWG) table for correct sizing of an extension cord. If in doubt, use the next heavier gauge.

## GUIDELINES FOR EXTENSION CORDS

The smaller the gauge number, the larger diameter of the extension cord is. If in doubt of the proper size of an extension cord, use a shorter and thicker cord. An undersized cord will cause a drop in line voltage resulting in a loss of power and overheating. **USE ONLY A 3-WIRE EXTENSION CORD THAT HAS A 3-PRONG GROUNDING PLUG AND A 3-POLE RECEPTACLE THAT ACCEPTS THE TOOL'S PLUG.**

**If you are using an extension cord outdoors,** be sure it is marked with the suffix "W-A" ("W" in Canada) to indicate that it is acceptable for outdoor use.

**Be sure your extension cord is properly sized,** and in good electrical condition. Always replace a damaged extension cord or have it repaired by a qualified person before using it.

**Protect your extension cords from sharp objects,** excessive heat, and damp or wet areas.

MINIMUM RECOMMENDED GAUGE FOR EXTENSION CORDS (AWG)			
120 VOLT OPERATION ONLY			
	25' LONG	50' LONG	100' LONG
0 to 6 Amps	18 AWG	16 AWG	16 AWG
6 to 10 Amps	18 AWG	16 AWG	14 AWG
10 to 12 Amps	16 AWG	16 AWG	14 AWG
12 to 15 Amps	14 AWG	12 AWG	Not recommended

# GROUNDING INSTRUCTIONS

## **⚠ WARNING**

**THIS TOOL MUST BE GROUNDED WHILE IN USE TO PROTECT THE OPERATOR FROM ELECTRIC SHOCK.**

**IN THE EVENT OF A MALFUNCTION OR BREAK-DOWN**, grounding provides the path of least resistance for electric current and reduces the risk of electric shock. This tool is equipped with an electric cord that has an equipment-grounding conductor and a grounding plug. The plug **MUST** be plugged into a matching electrical receptacle that is properly installed and grounded in accordance with **ALL** local codes and ordinances.

**DO NOT MODIFY THE PLUG PROVIDED.** If it will not fit the electrical receptacle, have the proper electrical receptacle installed by a qualified electrician.

**IMPROPER ELECTRICAL CONNECTION** of the equipment-grounding conductor can result in risk of electric shock. The conductor with the green insulation (with or without yellow stripes) is the equipment-grounding conductor. **DO NOT** connect the equipment-grounding conductor to a live terminal if repair or replacement of the electric cord or plug is necessary.

**CHECK** with a qualified electrician or service personnel if you do not completely understand the grounding instructions, or if you are not sure the tool is properly grounded.

The motor supplied with your Mortiser is a 120-volt, single-phase motor. It is shipped wired for 120-volt application. Never connect the green wire to a live terminal.

**USE ONLY A 3-WIRE EXTENSION CORD THAT HAS A 3-PRONG GROUNDING PLUG AND A 3-POLE RECEPTACLE THAT ACCEPTS THE TOOL'S PLUG.**

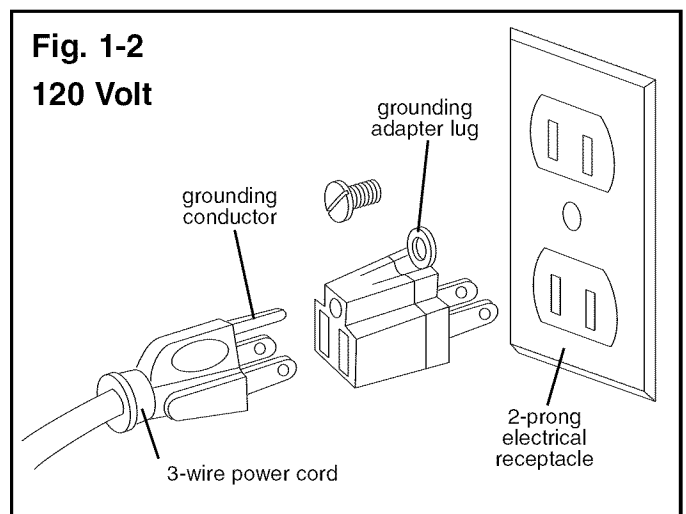
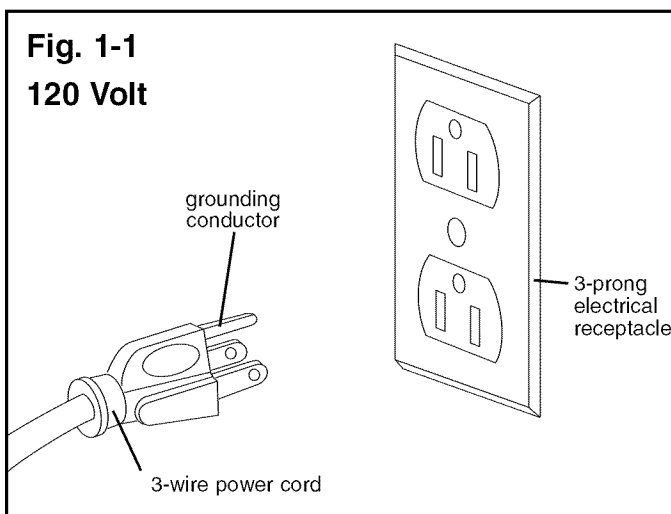
**REPLACE A DAMAGED OR WORN CORD IMMEDIATELY.**

This tool is intended for use on a circuit that has an electrical receptacle as shown in **FIGURE 1**. **FIGURE 1** shows a 3-wire electrical plug and electrical receptacle that has a grounding conductor. If a properly grounded electrical receptacle is not available, an adapter as shown in **FIGURE 2** can be used to temporarily connect this plug to a 2-contact ungrounded receptacle. The adapter has a rigid lug extending from it that **MUST** be connected to a permanent earth ground, such as a properly grounded receptacle box. **THIS ADAPTER IS PROHIBITED IN CANADA.**

**CAUTION:** In all cases, make certain the electrical receptacle in question is properly grounded. If you are not sure have a certified electrician check the electrical receptacle.

## **⚠ WARNING**

This Mortiser is for indoor use only. Do not expose to rain or use in damp locations.



## SPECIFIC SAFETY INSTRUCTIONS

**ALWAYS WEAR EYE PROTECTION.** Any power tool can throw debris into the eyes during operations, which could cause severe and permanent eye damage.

Everyday eyeglasses are **NOT** safety glasses.

**ALWAYS** wear Safety Goggles (that comply with ANSI standard Z87.1) when operating power tools. Safety Goggles are available at Sears Retail Stores.

Basic precautions should always be followed when using any power tool. To reduce the risk of injury, electrical shock or fire, comply with the safety rules listed below:

1. **READ** and understand the instruction manual before operating this power tool.
2. **DO NOT OPERATE THIS MACHINE** until it is assembled and installed according to the instructions.
3. **OBTAIN ADVICE FROM YOUR SUPERVISOR**, instructor, or another qualified person if you are not familiar with the operations of this power tool.
4. **DO NOT** leave any power tool plugged into the electrical outlet. Unplug it from the outlet when not in use and before servicing and cleaning.
5. **TO REDUCE THE RISK OF ELECTRICAL SHOCK**, do not use outdoors. Do not expose to rain. Store indoors.
6. **FOLLOW** all electrical and safety codes, including the National Electric Code (NEC) and the Occupational Safety and Health Regulations (OSHA). All electrical connections and wiring should be made by qualified personnel only.
7. **DO NOT** handle the plug or mortiser with wet hands.
8. **CONNECT** power tool to a properly grounded outlet only. See grounding instructions.
9. **SECURE THE MACHINE TO A SUPPORTING SURFACE.** Vibration can cause the machine to slide, walk, or tip over.
10. **NEVER START THE MACHINE** with the drill bit or cutting tool against the workpiece. Loss of control of the workpiece can cause serious injury.
11. **PROPERLY LOCK THE DRILL BIT OR CUTTING TOOL IN THE UNIT** before operating this machine.
12. **ADJUST** the depth stop to avoid drilling into the table.
13. **DO NOT** attempt to mortise material that does not have a flat surface, unless a suitable support is used.
14. **USE ONLY DRILL BITS, CUTTING TOOLS, OR OTHER ACCESSORIES** with shank size recommended in your instruction manual. The wrong size accessory can cause damage to the machine and/or serious injury.
15. **USE ONLY DRILL BITS OR CUTTING TOOLS** that are not damaged. Damaged items can cause malfunctions that lead to injuries.
16. **ALWAYS** position the hold-down directly over the workpiece to prevent the workpiece from lifting during operation. Loss of control of the workpiece can cause serious injury.
17. **TURN THE MACHINE “OFF” AND WAIT FOR THE DRILL BIT, CUTTING TOOL, OR SANDING DRUM TO STOP TURNING** prior to cleaning the work area, removing debris, removing or securing work-piece, or changing the angle of the table. A moving drill bit or cutting tool can cause serious injury.
18. **PROPERLY SUPPORT LONG OR WIDE** work-pieces, loss of control of the workpiece can cause severe injury.
19. **NEVER PERFORM LAYOUT, ASSEMBLY OR SET-UP WORK** on the table/work area when the machine is running. Serious injury can result.
20. **TURN THE MACHINE “OFF”**, disconnect the machine from the power source, and clean the table/work area before leaving the machine. **REMOVE THE SWITCH KEY** to prevent unauthorized use. Someone else might accidentally start the machine and cause serious injury to themselves.
21. **REPLACE** a damaged cord immediately. **DO NOT** use a damaged cord or plug. If the power tool is not operating properly, or has been damaged, left outdoors or has been in contact with water, return it to a Sears Service Center.
22. **USE** only as described in this manual. **USE** accessories only recommended by Sears.
23. **USE** only the key that is provided with the mortise by the manufacturer or a duplicate of it. An ejection mechanism is used as an integral part of the key. It is intended for mandatory removal or self-ejection of the chuck key before the mortiser can be turned on.
24. **ADDITIONAL INFORMATION** regarding the safe and proper operation of this product is available from the National Safety Council, 1121 Spring Lake Drive, Itasca, IL 60143-3201 in the Accident Prevention Manual for Industrial Operation and also in the Safety Data Sheets provided by the NSC. Please also refer to the American National Standards Institute ANSI O1.1 Safety Requirements for Woodworking Machinery and the U.S. Department of Labor OSHA 1910.213 Regulations.
25. **SAVE THESE INSTRUCTIONS.** Refer to them frequently and use them to instruct other users.

# ACCESSORIES AND ATTACHMENTS

## AVAILABLE ACCESSORIES

May be available at your Sears Hardware Department or see the Sears Power and Hand tool Catalog or visit [WWW.SEARS.COM](http://WWW.SEARS.COM) for the following accessories.

<u>ITEM</u>	<u>STOCK NUMBER</u>
1/4" Mortising Drill Bit	26411
5/16" Mortising Drill Bit	26412
3/8" Mortising Drill Bit	26413
1/2" Mortising Drill Bit	26414
1/4" Mortising Chisel	26415
5/16" Mortising Chisel	26416
3/8" Mortising Chisel	26417
1/2" Mortising Chisel	26418

Sears may recommend other accessories not listed in this manual.

See your nearest Sears Hardware Department or Craftsman Power and Hand Tool Catalog for other accessories.

Do not use any accessory unless you have completely read the Instruction Manual for that accessory.

### **WARNING**

Use only accessories recommended for this mortiser. Using other accessories may cause serious injury and cause damage to the mortiser.

# CARTON CONTENTS

## UNPACKING AND CHECKING CONTENTS

This mortiser will require some amount of assembly. Three L handle allen wrenches (8mm, 6mm and 5mm) and one T handle allen wrench (4mm) are provided for assembly.

Remove all protective materials and coatings from the parts. The protective coatings can be removed by spraying WD-40 on a part and wiping it off with a soft cloth. This may need to be redone several times before all of the protective coatings are removed completely.

**CAUTION: DO NOT** use acetone, gasoline or lacquer thinner to remove any protective coatings.

After cleaning, apply a good quality automotive wax to any unpainted surfaces. Make sure to buff out the wax before assembly.

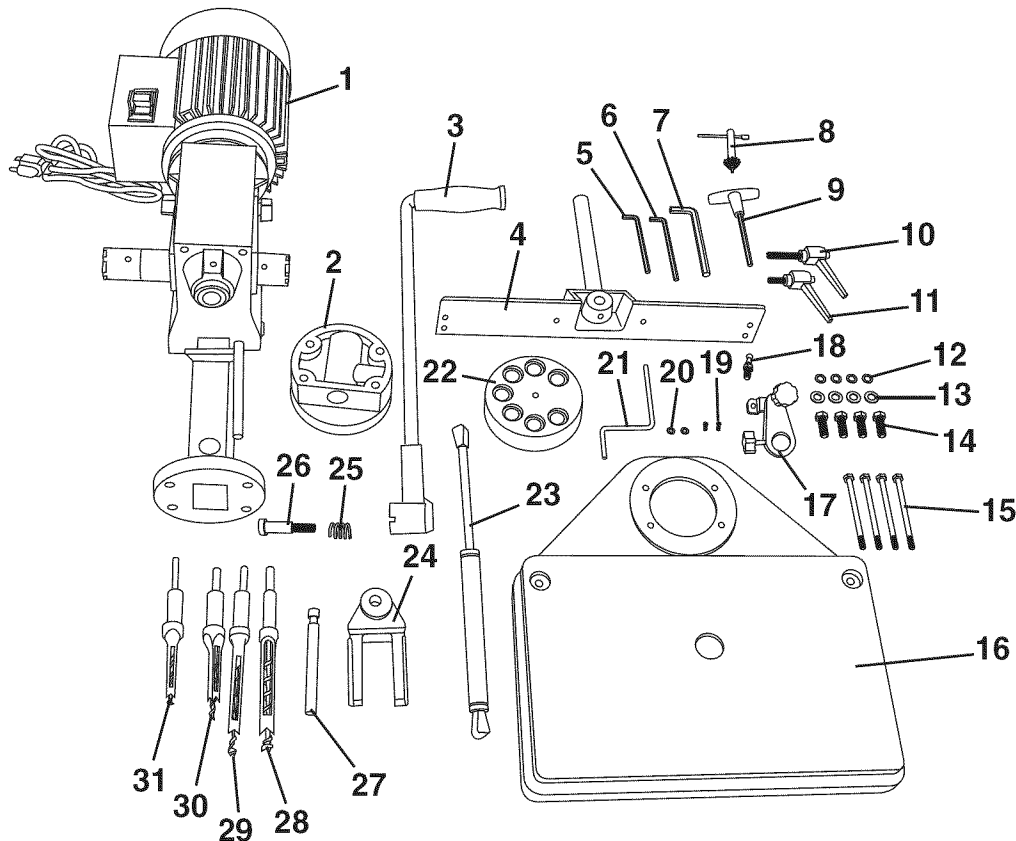
Remove all of the parts from the shipping box and lay them on a clean work surface. Compare the items to Figure 3 and verify that all items are accounted for before discarding the shipping box.

### **⚠ WARNING**

To avoid serious injury, do not attempt to plug in the power cord and turn "ON" the mortiser if any parts are missing. The mortiser should only be turned "ON" after all the parts have been obtained and installed correctly.

The following items and hardware are to be provided in the shipping box:

Figure 3

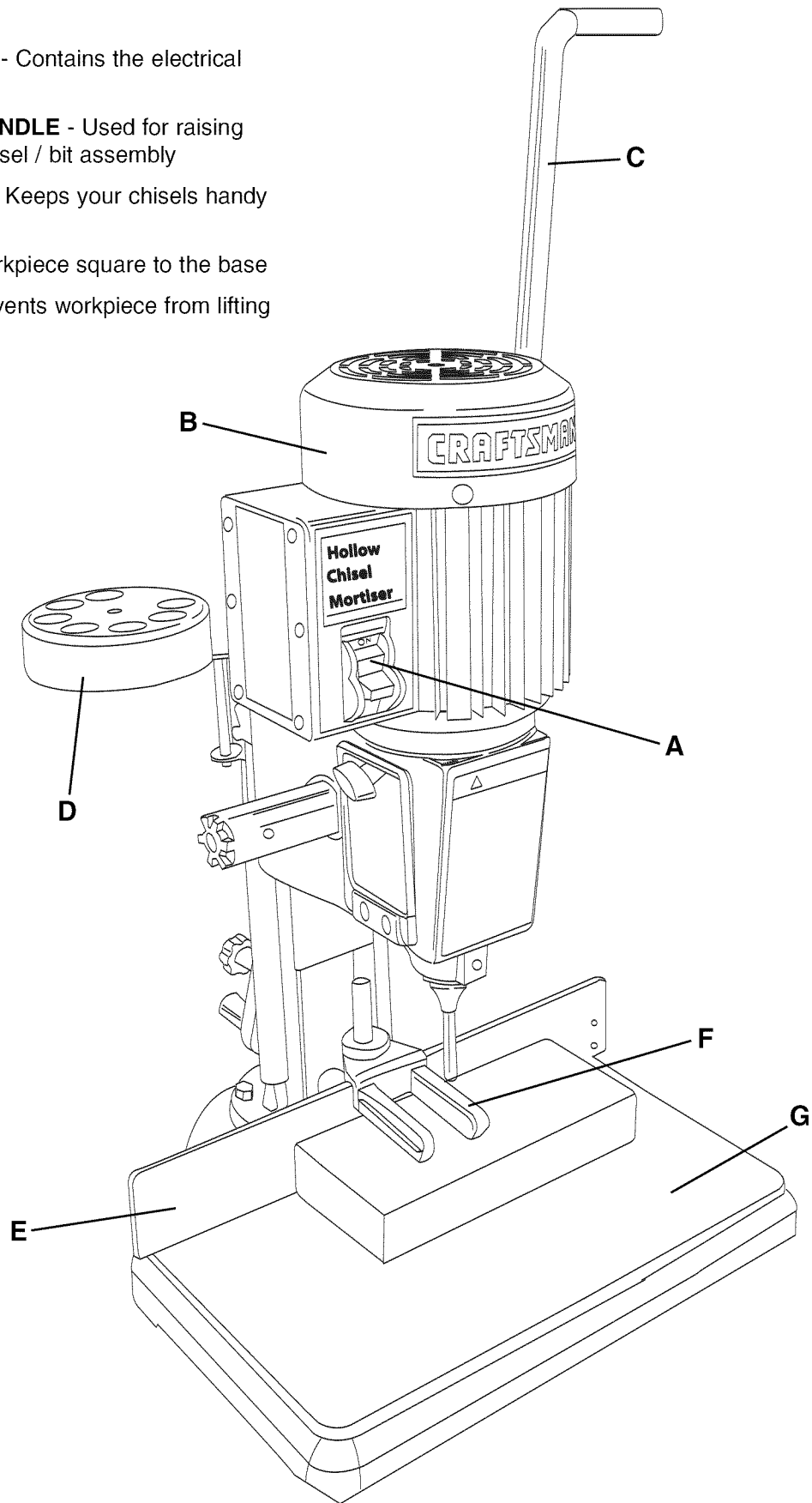


- |                              |                                   |                                    |
|------------------------------|-----------------------------------|------------------------------------|
| 1. Mortiser                  | 12. (4) M8 Lock Washers           | 22. Tool and Chisel Holder         |
| 2. Spacer Block              | 13. (4) M8 Flat Washers           | 23. Hydraulic Cylinder             |
| 3. Raise / Lower Handle      | 14. (4) M8 x 30mm Hex Head Screws | 24. Hold Down                      |
| 4. Fence Assembly            | 15. (4) M8 x 80mm Hex Head Screws | 25. Spring                         |
| 5. 5mm L-Handle Allan Wrench | 16. Base                          | 26. Shoulder Bolt                  |
| 6. 6mm L-Handle Allen Wrench | 17. Micro Adjust Assembly         | 27. Guide Rod                      |
| 7. 8mm L-Handle Allen Wrench | 18. Lower Ball Stud Fitting       | 28. 1/2" Mortising Chisel and Bit  |
| 8. Chuck Key                 | 19. (2) M4 x 8mm Pan Head Screws  | 29. 3/8" Mortising Chisel and Bit  |
| 9. 4mm T-Handle Allen Wrench | 20. (2) M4 Flat Washers           | 30. 5/16" Mortising Chisel and Bit |
| 10. Long Fence Lock Handle   | 21. Support Bar                   | 31. 1/4" Mortising Chisel and Bit  |
| 11. Short Fence Lock Handle  |                                   |                                    |



# KNOW YOUR MORTISER

- A. **ON / OFF SWITCH** - Used to turn the mortiser on and off
- B. **MOTOR HOUSING** - Contains the electrical motor
- C. **RAISE/LOWER HANDLE** - Used for raising and lowering the chisel / bit assembly
- D. **CHISEL HOLDER** - Keeps your chisels handy and organized
- E. **FENCE** - Keeps workpiece square to the base
- F. **HOLD DOWN** - Prevents workpiece from lifting off the base
- G. **BASE**



# ASSEMBLY INSTRUCTIONS

Four different size allen wrenches are provided to assist in the assembly of the Mortiser.

## **⚠ WARNING**

1. **DO NOT** assemble the Mortiser until you are sure the tool is disconnected from the power source.
2. **DO NOT** assemble the Mortiser until you are sure the power switch is in the off position.

## HYDRAULIC CYLINDER ASSEMBLY

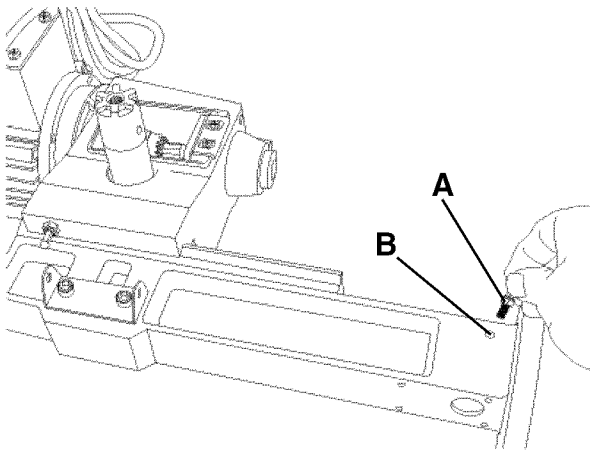
### **⚠ WARNING**

Attaching the hydraulic cylinder first makes certain that the head of the mortiser cannot slide down the column of the mortiser while attaching it to the base. Do not attempt to attach the column to the base without the hydraulic cylinder attached. The head of the mortiser may slide down the column and crush the operator's fingers.

### **⚠ WARNING**

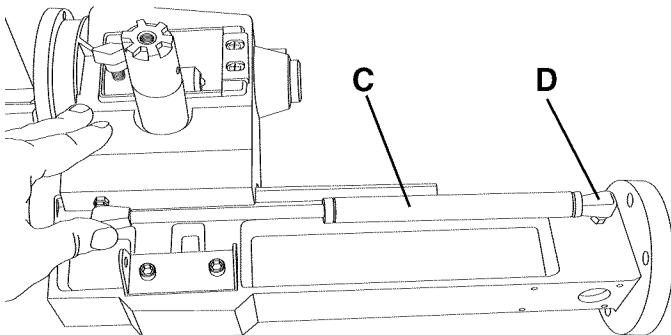
Make sure that the machine is disconnected from the power source.

**Figure 4**



1. Thread Lower Junction Screw (A) into hole (B) of the column of the mortiser as shown in Figure 4.

**Figure 5**



2. Snap the Hydraulic Cylinder (C) over the Lower Junction Screw (D) by applying firm pressure to the cylinder. See Figure 5.

3. Attach the other end of the hydraulic cylinder to the upper junction screw on the back of the mortiser head.

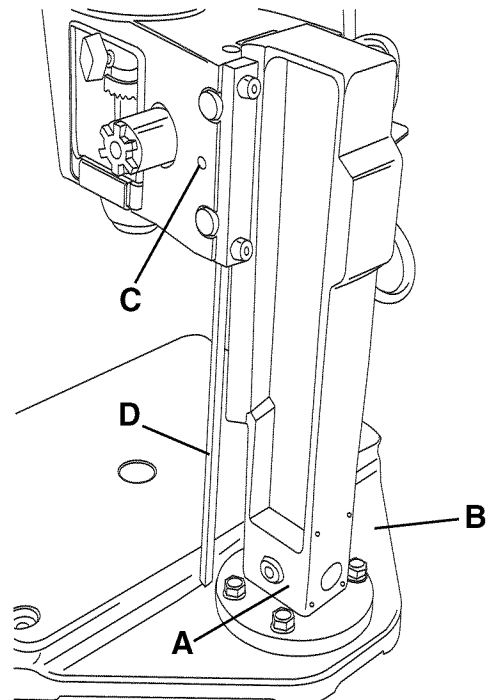
**NOTE:** If the mortiser head will not slide up far enough to accommodate the installation of the hydraulic cylinder, remove the single M6 x 10mm socket head cap screw (not shown) located at the top of the mortiser column. This will allow the head to slide beyond its normal path of travel, allowing you to install the hydraulic cylinder. Once the hydraulic cylinder is installed, **MAKE CERTAIN** to reinstall the socket head cap screw. This serves as the upper limit stop and must be reinstalled prior to using the mortiser.

## BASE ASSEMBLY

### **⚠ WARNING**

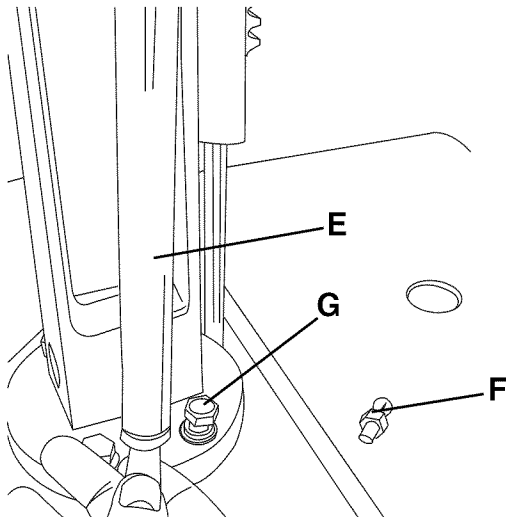
Make sure that the machine is disconnected from the power source.

**Figure 6**



1. Place Mortiser column (A) over the base (B) aligning the four holes in the mortiser column with the four holes in the base. See Figure 6.
2. Place one M8 lock washer and one M8 flat washer on each of the four M8 x 30mm hex head screws.
3. Insert three of M8 x 30mm hex head screws through the bottom of the mortiser, thread into the base and tighten securely. See Figure 6.
4. Loosen set screw (C) and position depth stop rod (D) so that it comes in contact with the base as shown in Figure 6.
5. Tighten set screw.

**Figure 7**



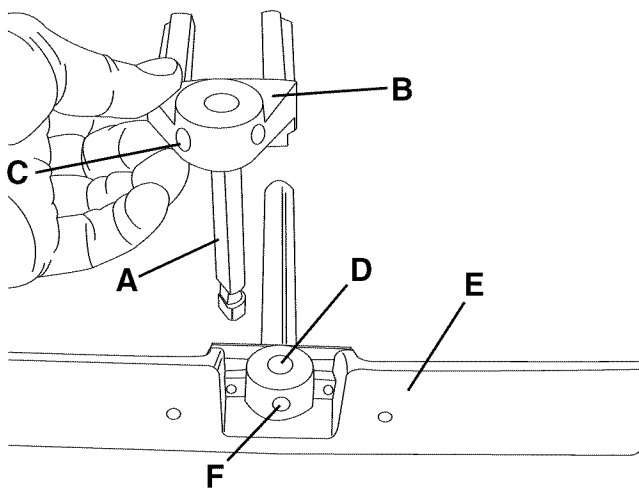
6. Detach Hydraulic Cylinder (E) from lower junction screw See Figure 7.
7. Unscrew lower junction screw (F).
8. Insert final M8 x 30mm hex head screw (G) through the bottom of the mortiser, thread into the base, and tighten securely.
9. Screw in lower junction screw and reattach the hydraulic cylinder as explained in HYDRAULIC CYLINDER ASSEMBLY.

## FENCE ASSEMBLY

### **⚠ WARNING**

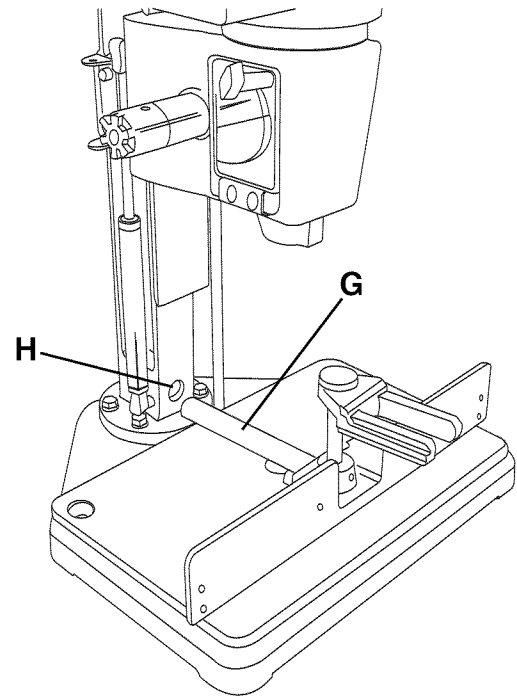
Make sure that the machine is disconnected from the power source

**Figure 8**



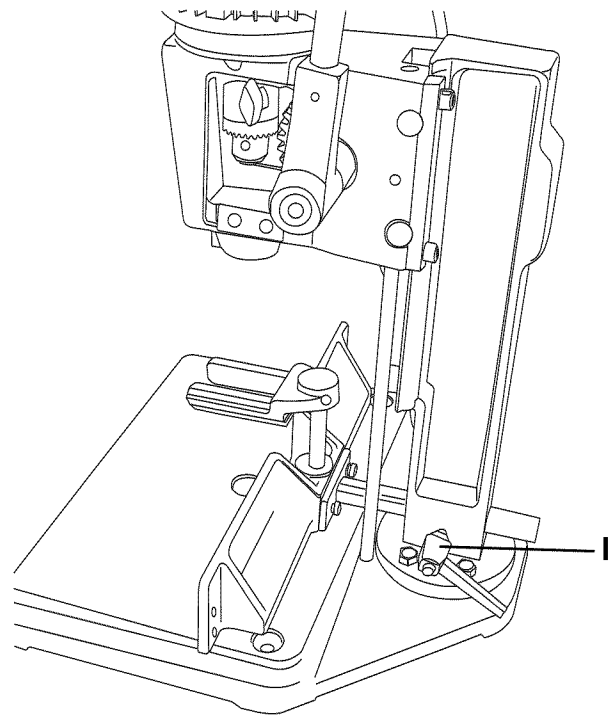
1. Insert Guide Rod (A) through hole in Hold Down (B) and tighten set screw (C) using supplied 4mm T Handle allen wrench. See Figure 8.
2. Insert Guide Rod into hole (D) of Fence Assembly (E) and tighten set screw (F) using supplied 4mm T Handle allen wrench.

**Figure 9**



3. Insert fence glide shaft (G) through hole (H) in the column of the mortiser. See Figure 9.

**Figure 10**



4. Thread Short Fence Lock Handle (I) into the column of the mortiser. Tighten to secure fence. See Figure 10.

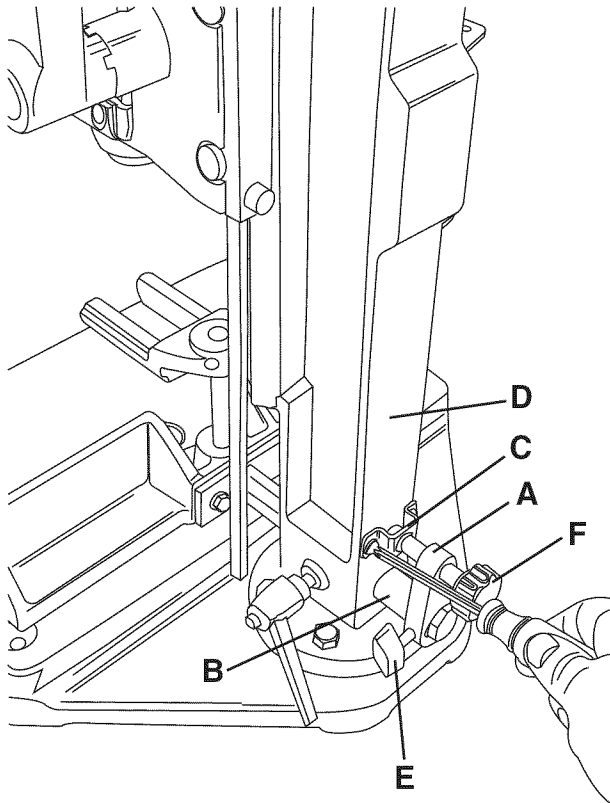
**NOTE:** Fence Lock Handle is spring loaded and can be repositioned by pulling out on the handle and rotating it.

## MICRO ADJUST ASSEMBLY

### **⚠ WARNING**

Make sure that the machine is disconnected from the power source.

**Figure 11**



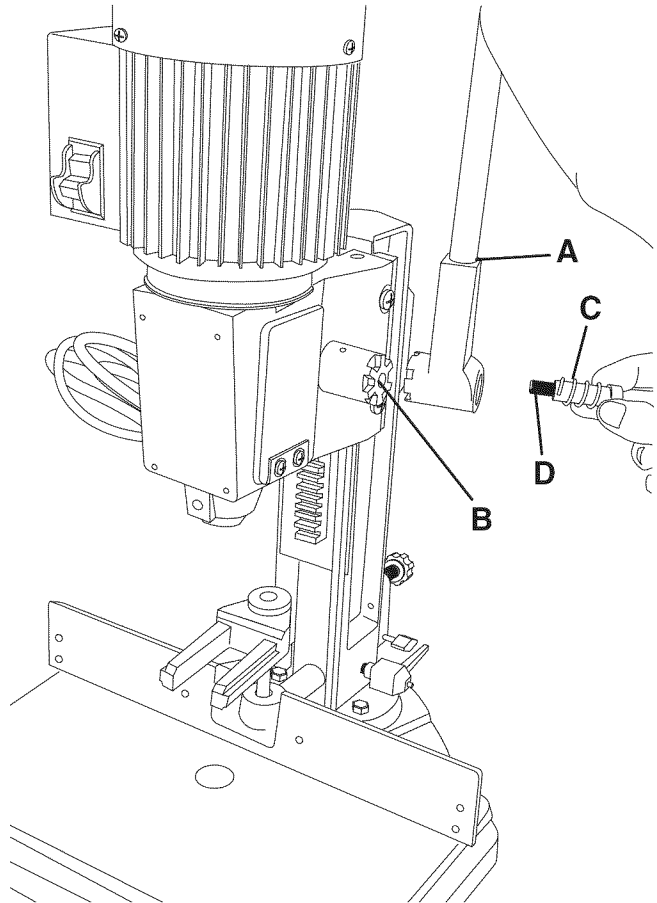
1. Fit the Micro Adjust Assembly (A) over the Fence Glide Shaft (B) until the Support Plate (C) is flush up against the Column (D). See Figure 11.
2. Align the two holes in the support plate with the two holes in the mortiser column.
3. Fasten support plate to the column using two M4 x 8mm pan head screws and two M4 flat washers.
4. Tighten Lock Knob (E) so that the Micro Adjust Assembly fits tightly on the Fence Glide Shaft.
5. Rotate Adjust Knob (F) clockwise to move the Fence Assembly towards the Mortiser column. Turn counter clockwise to move the fence away from the Mortiser.

## RAISING / LOWERING HANDLE

### **⚠ WARNING**

Make sure that the machine is disconnected from the power source.

**Figure 12**



1. Line up the notches in the hub of the handle (A) with the slots in the gear shaft (B). See Figure 12.

**NOTE:** The handle may be attached to either the left side or right side, depending on your preference.

2. Place spring (C) over the shoulder bolt (D) and insert through the hub of the handle. Tighten using supplied L-Handle 8mm allen wrench.

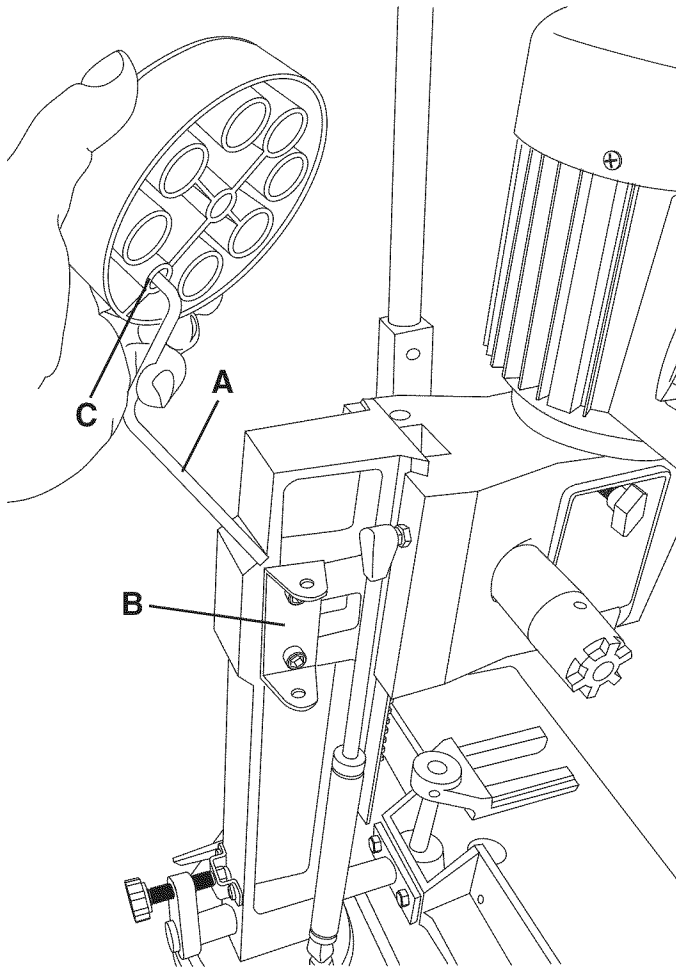
**NOTE:** The handle is spring loaded. You can reposition it by pulling it out and repositioning it on the gear shaft.

## TOOL AND CHISEL HOLDER

### **⚠ WARNING**

Make sure that the machine is disconnected from the power source.

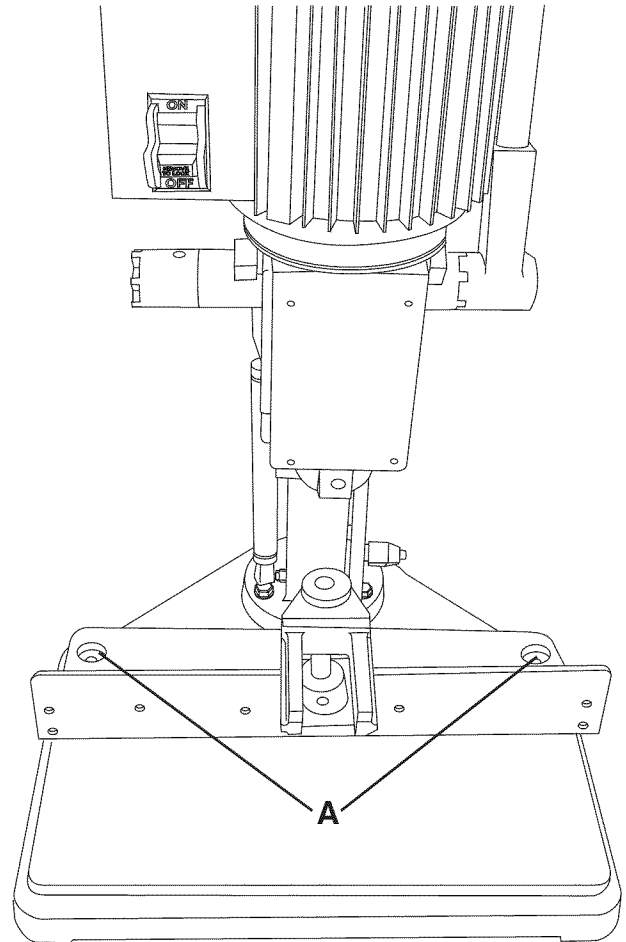
**Figure 13**



1. Insert the support bar (A) into the support bracket (B). See Figure 13.
2. Place the support bar through the hole (C) of the tool and chisel holder.
3. Use tool and chisel holder to store all chisels and chuck keys when not in use.

## FASTENING MACHINE TO SUPPORTING SURFACE

**Figure 14**



If during operation there is any tendency for the mortiser to tip over, slide, or walk on the supporting surface, the base must be secured to the supporting surface with fasteners (not supplied), through the two holes (A) located in the mortiser base.

## ASSEMBLING CHISEL AND BIT

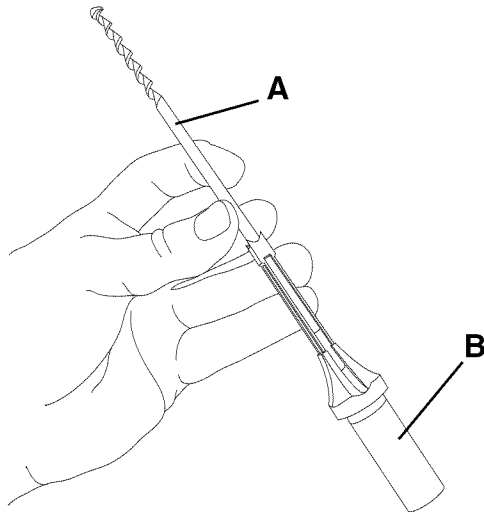
### **⚠ WARNING**

Make sure that the machine is disconnected from the power source.

### **⚠ WARNING**

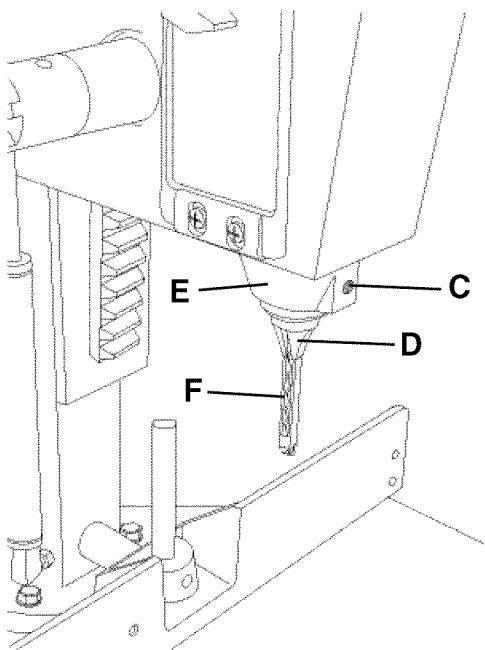
Chisels are very sharp and can cause a serious cut. Take extreme caution when handling chisels.

**Figure 15**



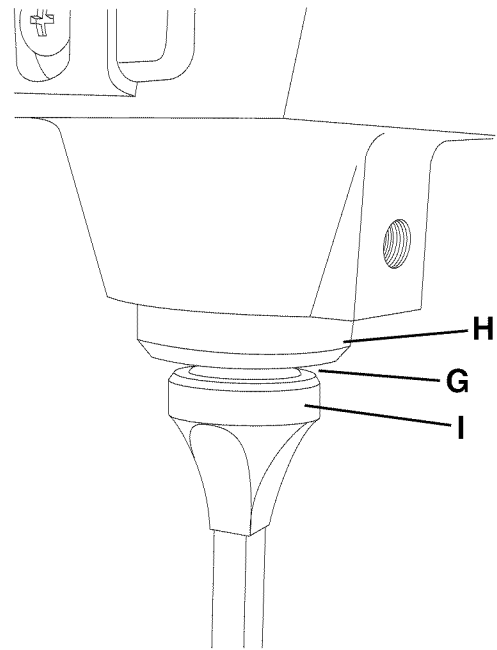
1. Insert bit (A) into chisel (B). See Figure 15.

**Figure 16**



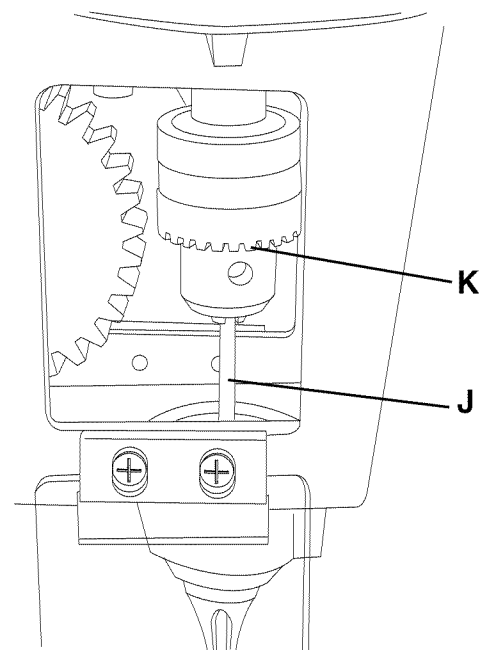
2. Loosen set screw (C) and push chisel (D) up through hole in head (E) as far as possible, making sure that the opening in the chisel (F) is facing to the left or right. See Figure 16.

**Figure 17**



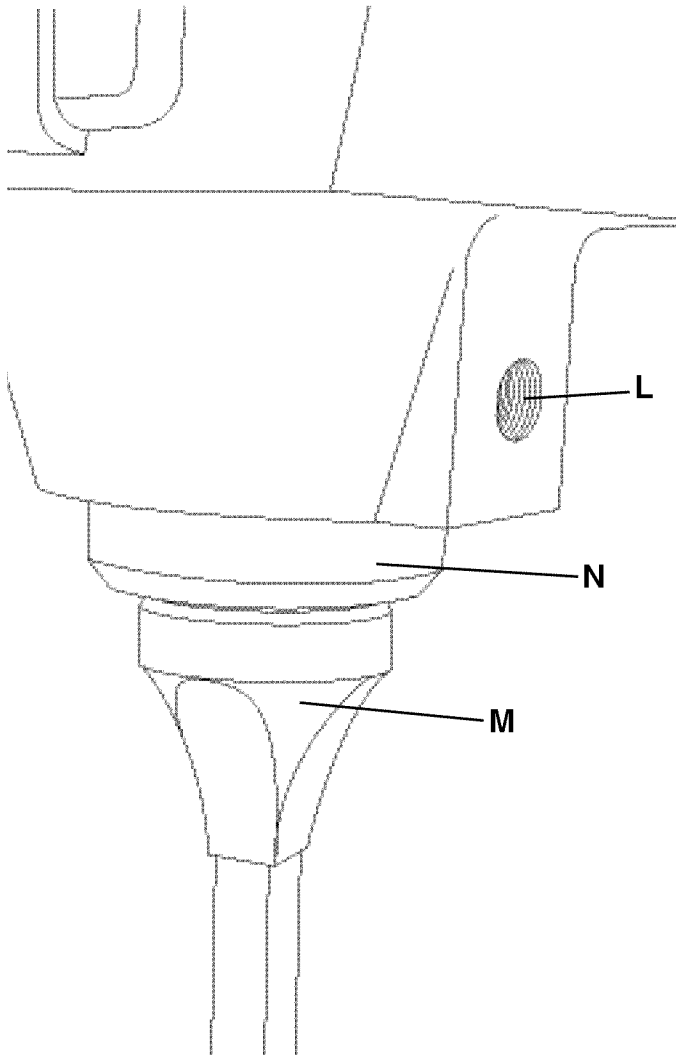
3. Lower chisel 1/16" to 3/16" and tighten set screw. There must be a space of 1/16" to 3/16" clearance (G) between the bushing (H) and shoulder of chisel (I) as shown in Figure 17. This assures having proper clearance between the cutting edges of the bit and points of the chisel after the bit is inserted into the chuck.

**Figure 18**



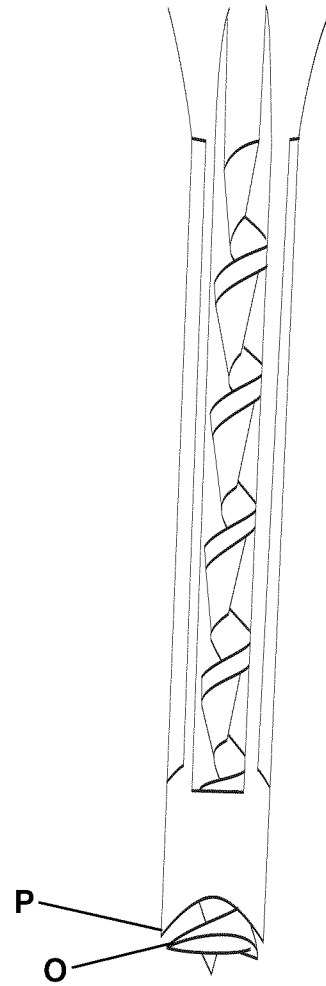
4. Push bit (J) up through the chisel and into the chuck (K) as far as it will go and lock bit into chuck using the supplied chuck key. See Figure 18.

**Figure 19**



5. Loosen set screw (L), push chisel (M) up against the bottom of bushing (N) and tighten set screw. This should provide the proper distance between the cutting edges of the bit and points of the chisel. See Figure 19.

**Figure 20**



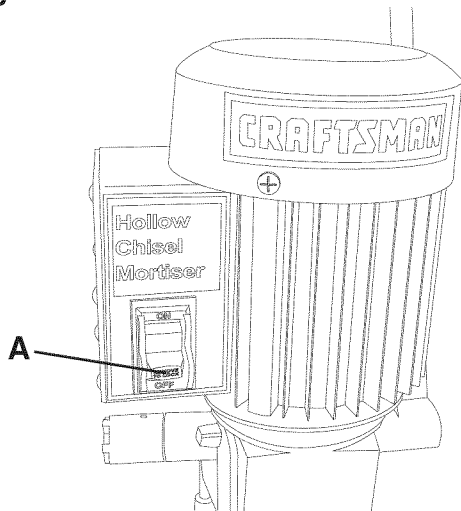
6. The flat portion of the bit (O) should now be adjusted to a minimum of 1/16" below the bottom of the chisel (P). See Figure 20. For certain types of wood it may be necessary to increase this distance to a maximum of 3/16" clearance.

# OPERATIONS AND ADJUSTMENTS

## ON-OFF SWITCH

The switch is located on the side of the motor. To turn the machine on flip the switch up to the "ON" position. To turn the machine off, move the switch down to the "OFF" position.

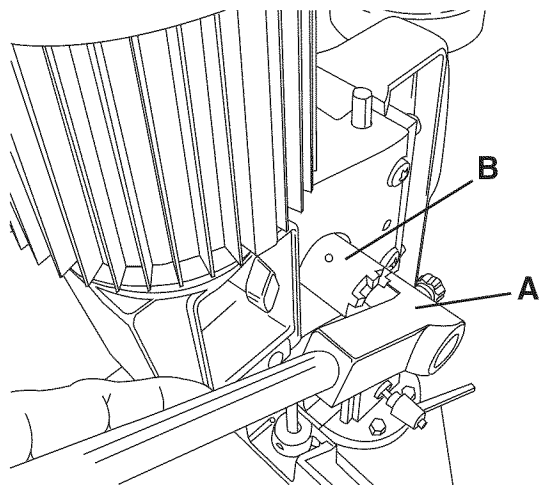
Figure 21



When the tool is not in use, the switch should be locked in the "OFF" position to prevent unauthorized use. This can be done by grasping the switch toggle (A) and pulling it out of the switch. With the switch toggle removed, the switch will not operate. Should the toggle be removed while the machine is running, the switch can be turned off once, but cannot be restarted without inserting the switch toggle. See Figure 21.

## RAISING AND LOWERING THE HEAD

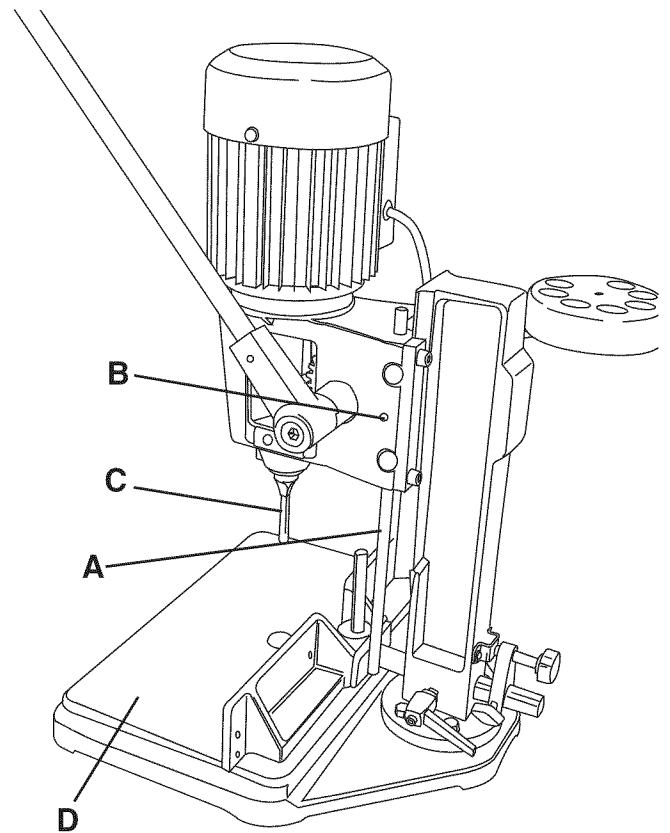
Figure 22



The head is raised and lowered by using the lever. For maximum leverage during the mortising operation, the lever can be repositioned by pulling out the hub (A) of the lever assembly and repositioning hub on the pinion shaft (B). See figure 22.

## DEPTH STOP ROD

Figure 23



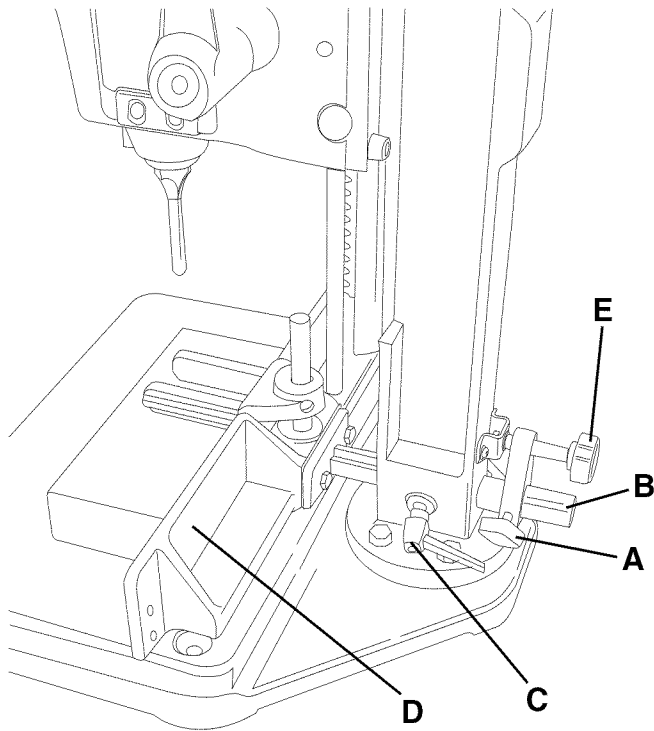
The depth stop rod is provided to limit the depth of the chisel. See Figure 23.

1. To adjust the depth stop rod (A), loosen set screw (B) using provided 4mm T handle allen wrench.
2. Lower head until the chisel (C) is at the desired depth.
3. Lower depth stop rod until it contacts the base (D).
4. Tighten set screw.



## FENCE

Figure 24



The Fence can be moved in and out to accommodate various size workpieces.

1. To move Fence, loosen Lock Knob (A) See Figure 24.
2. Loosen Fence Lock Handle (C) until the Fence Glide Shaft (B) can slide freely.
3. Slide Fence in or out to the desired location.
4. Tighten Fence Lock Handle to lock the fence in place.

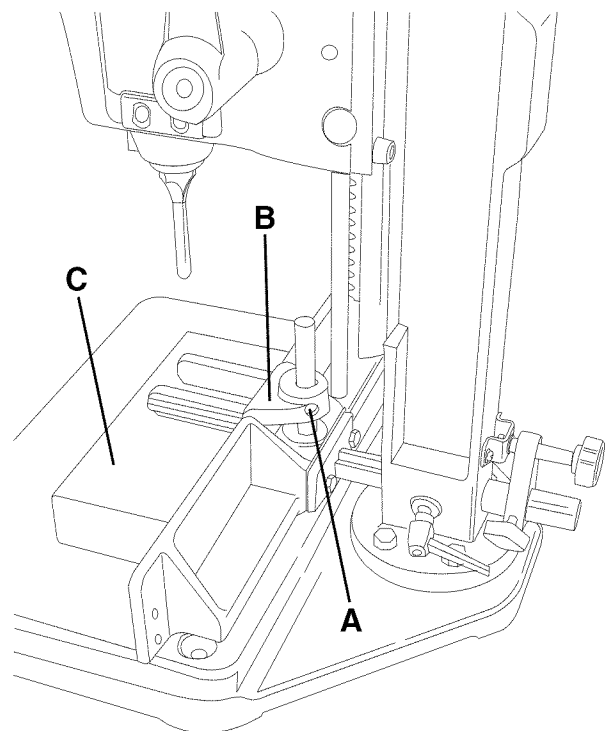
## MICRO ADJUST ASSEMBLY

Sometimes it is necessary to move the fence in small increments. When this is the case, the Micro Adjust Assembly should be used.

1. Make sure that the Lock Knob (A) is tightened down on the Fence Glide Shaft (B). See Figure 24.
2. Loosen the Fence Lock Handle (C) so that the Fence (D) may slide smoothly.
3. Rotate the Adjustment Knob (E) clockwise to move the fence in towards the mortiser column. Rotate counterclockwise to move the fence away from the mortiser column.

## HOLDDOWN

Figure 25



The purpose of the holddown is to prevent the workpiece from lifting as the chisel is raised up.

1. To adjust, loosen set screw (A). See Figure 25.
2. Position Holddown (B) until it just touches the top of the workpiece (C) and allows the workpiece to slide left or right.

**NOTE:** The holddown can be turned upside down to accommodate thicker workpieces.

3. Once Holddown is in position, retighten set screw.

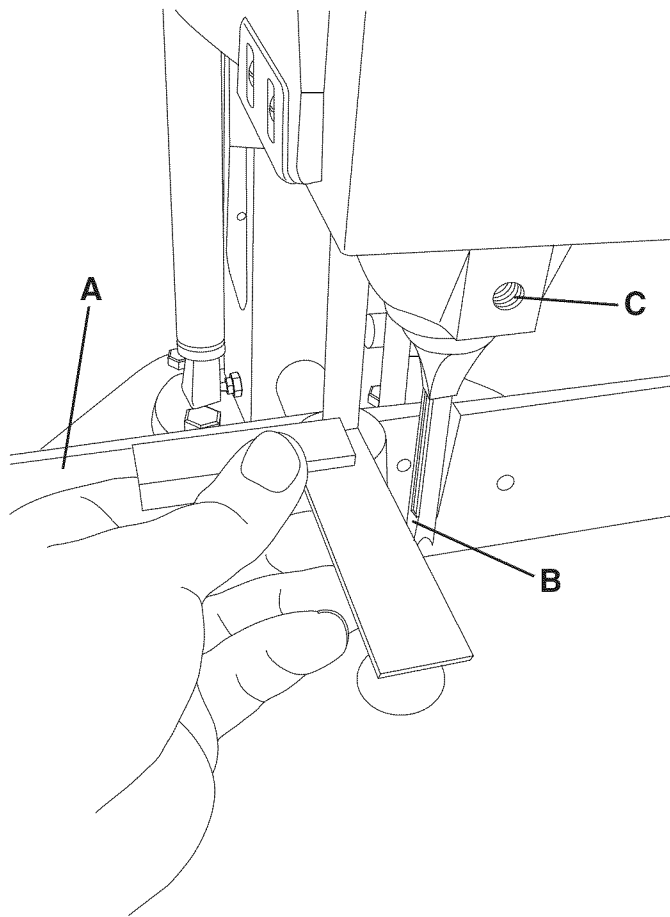
## SETTING CHISEL SQUARE TO FENCE

Before using the mortiser, it is important to make sure that the chisel is square to the fence.

### **⚠ WARNING**

Make sure that the mortiser is disconnected from the power source.

Figure 26

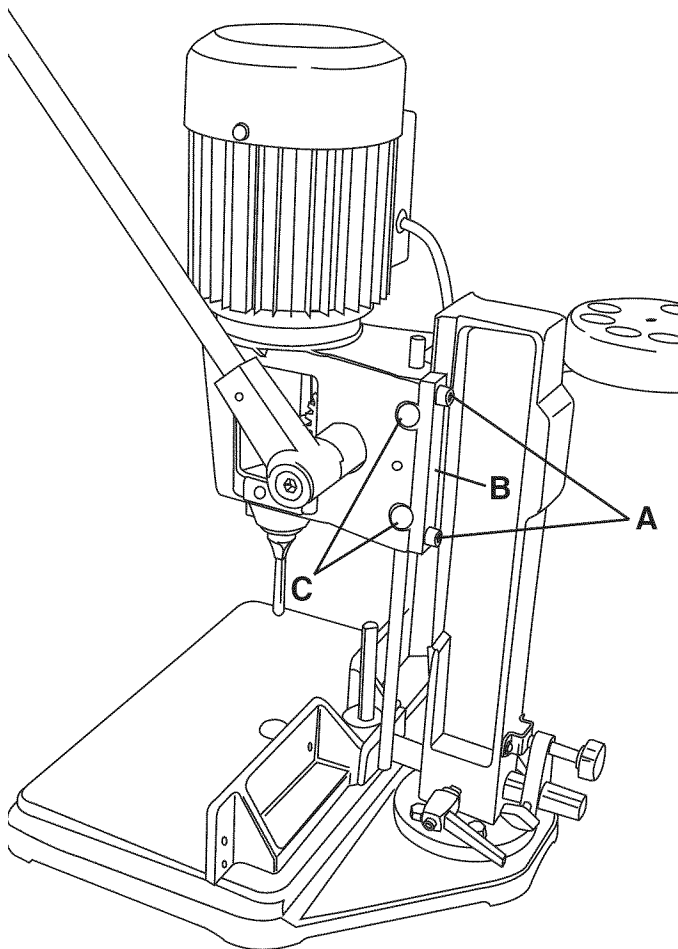


1. Place a square against the face of the fence (A). See Figure 26.
2. Check to see if left side of chisel (B) is square to the face of the fence.
3. If not square, loosen set screw (C) and reposition chisel until the left side of the chisel is flat against the square.
4. Retighten set screw.

## SLIDING FIT BETWEEN HEAD AND COLUMN

A dovetail gib is provided on the rear of the head to insure a good sliding fit between the head and the column when the head is raised and lowered. This should be set at the factory and should not need adjustment. If adjustment is necessary, perform the following steps.

Figure 27



1. Loosen 2 allen head screws (A) in the dovetail gib (B) only slightly (less than 1/8 turn) using provided 6mm L-Handle Allen Wrench. See Figure 27.
2. Turn adjusting screws (C) clockwise to make a tighter fit, turn counterclockwise for a looser fit.

**NOTE:** Correct adjustment is when a good snug sliding fit is obtained without any side movement between the gib and the column. This adjustment should not be too tight that it restricts the sliding movement or too loose that it affects accuracy.

3. Once proper fit is achieved, retighten allen head screws.

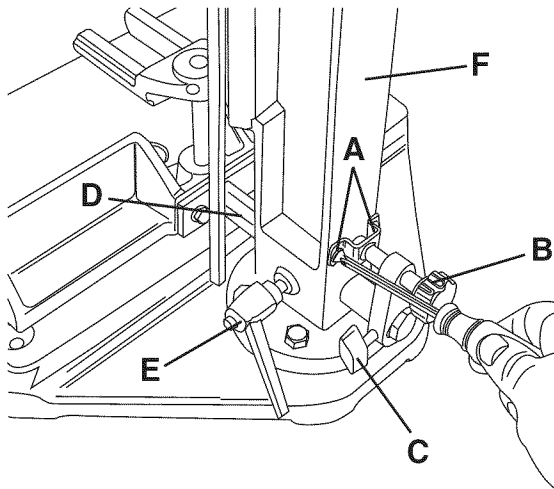
## ATTACHING COLUMN EXTENSION

The column can be extended for the purpose of mortising taller workpieces

### **⚠ WARNING**

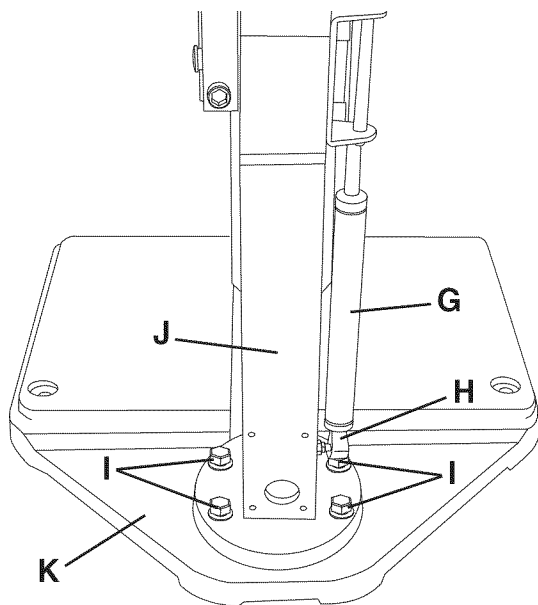
Make certain the machine is disconnected from the power source.

**Figure 28**



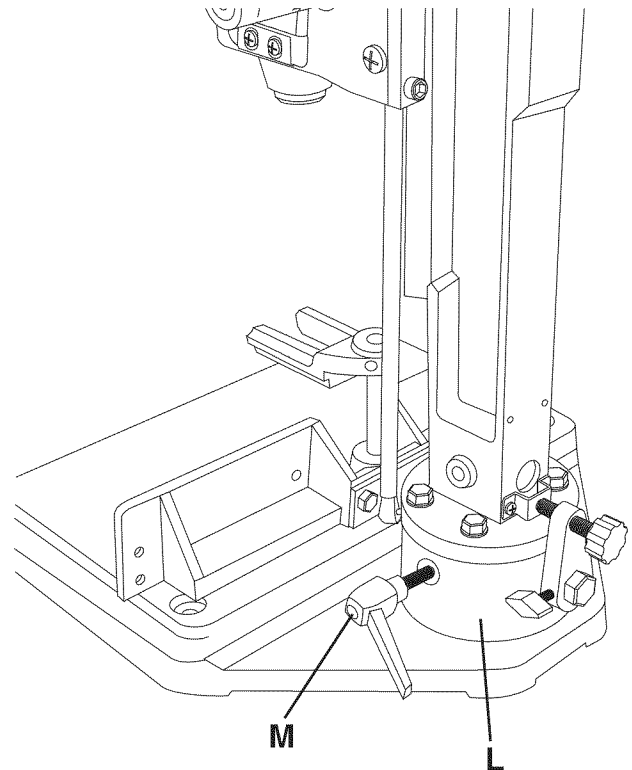
1. Remove the 2 M4 x 8mm Pan Head Screws (A) that fasten the MicroAdjust Assembly (B). See Figure 28.
2. Loosen Lock Knob (C) and remove micro adjust assembly from the Fence Glide Shaft (D).
3. Remove Short Fence Lock Handle (E).
4. Slide Fence Glide Shaft completely out of the mortiser column (F).

**Figure 29**



5. Snap off the hydraulic cylinder (G) and remove the lower junction screw (H). See Figure 29.
6. Remove the 4 M8 x 30mm Hex Head screws (I) and remove the mortiser column (J) from the base (K).
7. Remove the 4 M8 Lock Washers and 4 M8 Flat Washers from the 4 M8 x 30mm Hex Head screws and put them on the 4 M8 x 80mm Hex Head Screws.

**Figure 30**

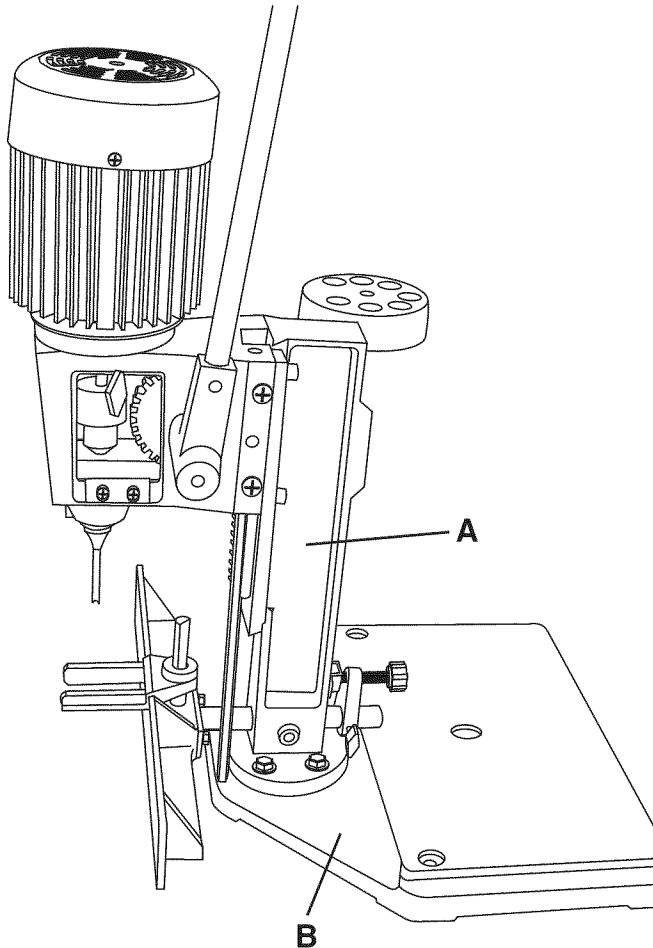


8. Line up the holes in the spacer block (L) with the holes in the base. See Figure 30.
9. Place mortiser column over the spacer block and fasten to base using the 4 M8 x 80mm Hex Head Screws, 4 M8 Lock Washers and 4 M8 Flat Washers.
10. Reinstall lower junction screw and attach hydraulic cylinder.
11. Slide Fence Glide Assembly into the hole in the Spacer Block.
12. Thread Long Fence Lock Handle (M) into spacer block.
13. Place Micro Adjust Assembly over the Fence Glide Shaft and fasten to the mortiser column using the 2 M4 x 8mm Pan Head Screws and 2 M4 Flat Washers.

## ROTATING COLUMN 180 DEGREES

Sometimes a workpiece may be too large to fit between the base and the chisel. When this is the case, you can rotate the column of the mortiser 180 degrees, as shown, and perform the work off of a bench or floor.

Figure 31



### **WARNING**

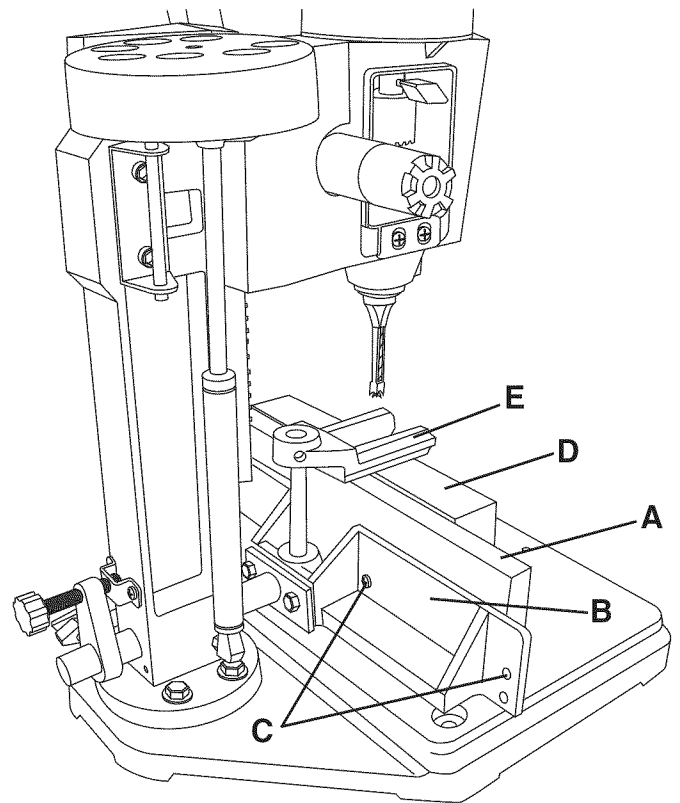
When rotating column 180 Degrees, you must fasten the machine to a supporting surface. See FASTENING MACHINE TO SUPPORTING SURFACE.

1. To rotate the column, remove the four M8 x 30mm Hex Head Screws that bolt the mortiser column (A) to the base (B). See Figure 31.
2. Rotate Column 180 degrees.
3. Replace four M8 x 30mm Hex Head Screws.

## USING AUXILIARY WOOD FENCE

When mortising an extra high workpiece, an auxiliary fence can be fastened to the fence with wood screws (not provided) through the holes in the fence. This provides additional support for the workpiece during mortising operation.

Figure 32

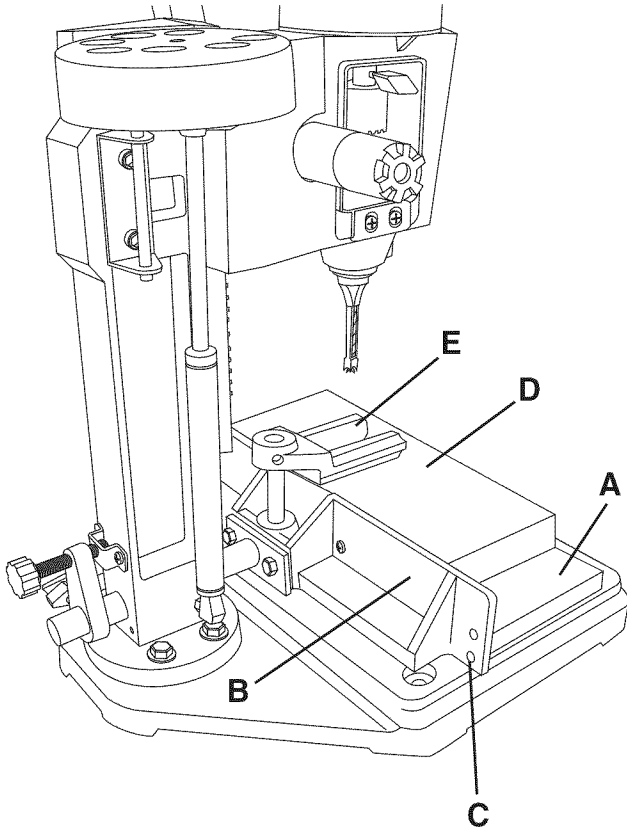


1. To attach a wooden auxiliary fence, place auxiliary fence (A) up against the face of the main fence (B). See Figure 32.
2. Fasten auxiliary fence to main fence through the holes (C) in the main fence using wood screws (not provided).
3. Place workpiece (D) up against auxiliary fence and secure using the holddown (E).

## USING SACRIFICIAL BOARD

When performing a through mortise, it is a good practice to use a sacrificial board to prevent any chipout at the bottom of the mortise.

**Figure 33**



1. To attach a sacrificial board, place sacrificial board (A) against the face of the fence (B). See Figure 33.
2. Attach sacrificial board to fence using wood screws (not provided) through the holes of the fence (C).
3. Place workpiece (D) on top of sacrificial board and up against the fence.
4. Fasten workpiece using the holddown (E).

## USING BITS WITH EXTRA LONG SHANKS

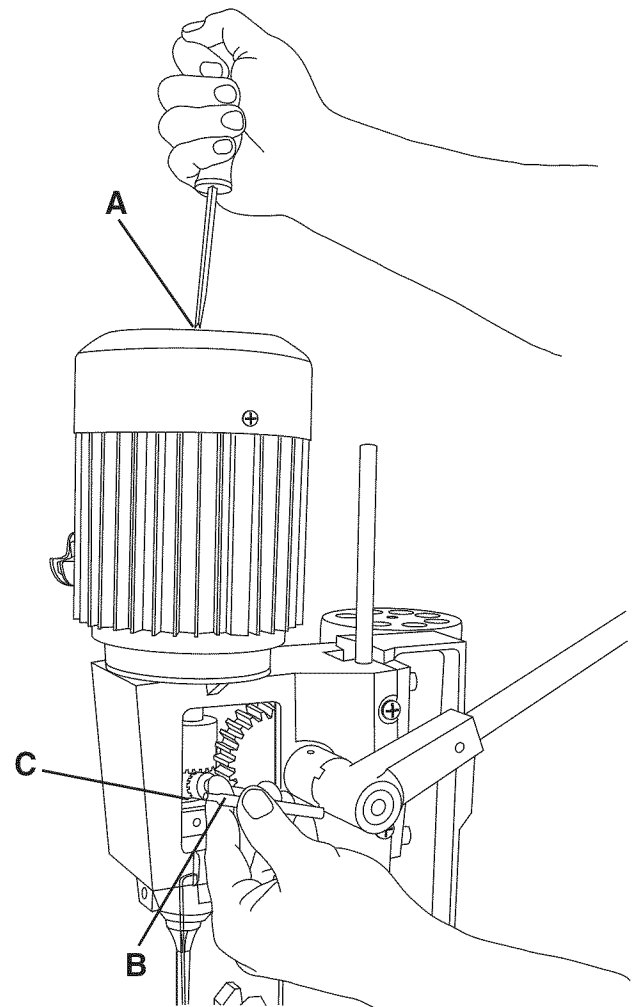
When using bits with extra long shanks, it will be necessary to remove the extension.

### **⚠ WARNING**

Make certain that the mortiser is disconnected from the power source.

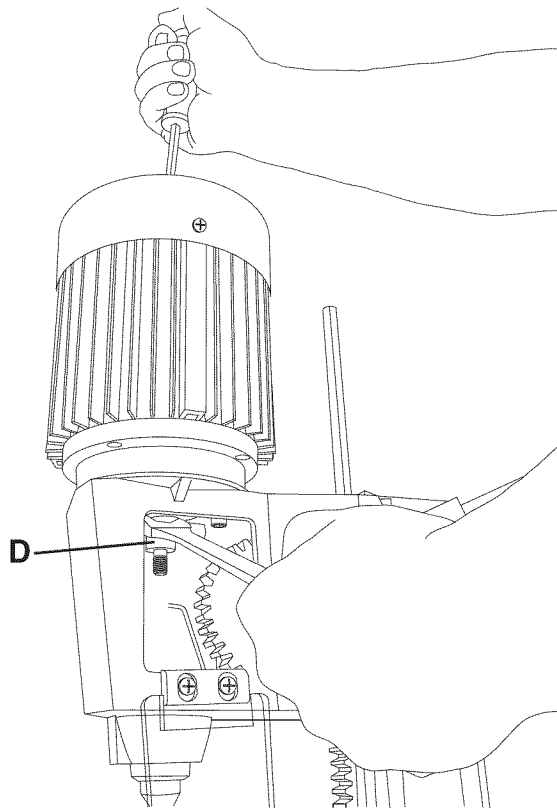
1. Remove the mortising bit.

**Figure 34**



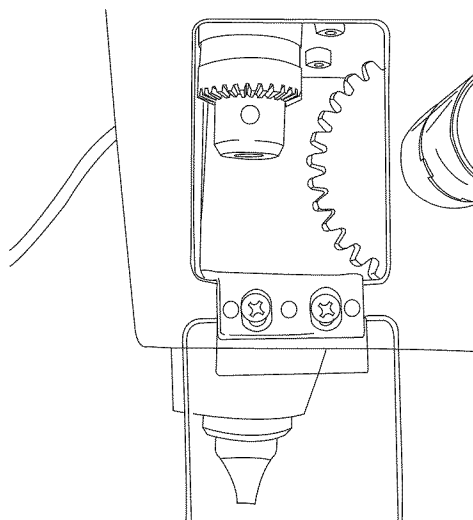
2. Insert a flat head screwdriver into the center hole (A) of the motor end cap. See Figure 34.
3. Insert the chuck key (B) into the chuck (C) and rotate screwdriver counterclockwise until the chuck comes loose from the extension.

Figure 35



4. To remove the extension (D), place a 16mm open end wrench (not provided) on the flats of the extension. See Figure 35.
5. Insert a flat head screwdriver into the center hole of the motor end cap.
6. Turn the wrench clockwise to loosen the extension from the motor shaft .
7. Unscrew the extension from the motor shaft and remove.

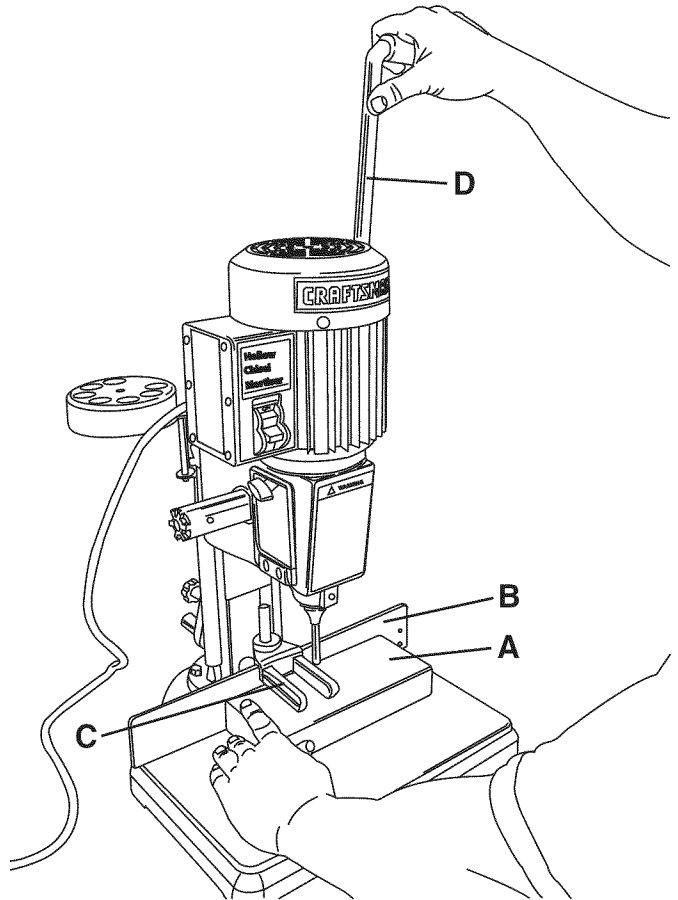
Figure 36



8. Thread the chuck onto the motor shaft and tighten. See Figure 36.

## OPERATING THE MORTISER

Figure 37

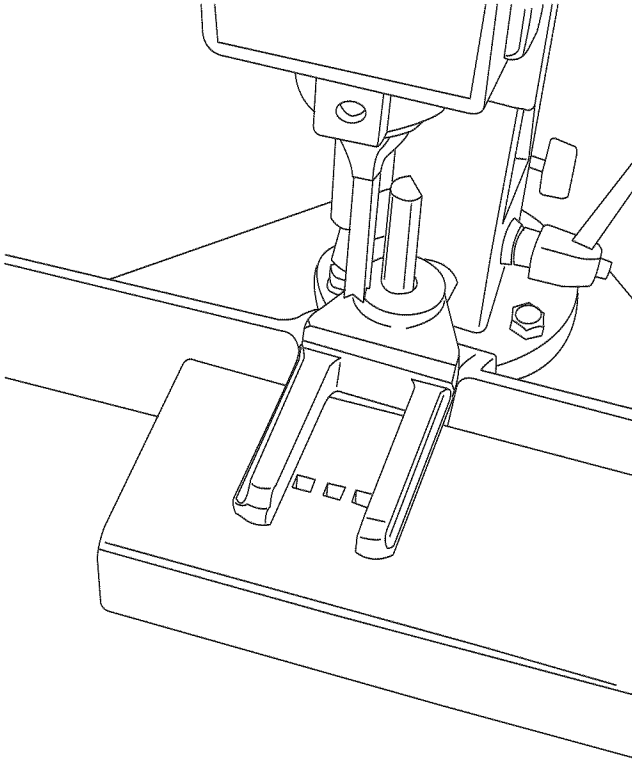


1. Make sure that the workpiece (A) is held firmly against the fence (B) when cutting and that the holddown (C) is properly adjusted. See Figure 37.
2. Using the Raise/Lower handle (D), lower the chisel until it penetrates the workpiece.

**NOTE:** The rate of penetration of the chisel must be fast enough to prevent burning at the tip of the bit, but not too fast as to stall the motor.

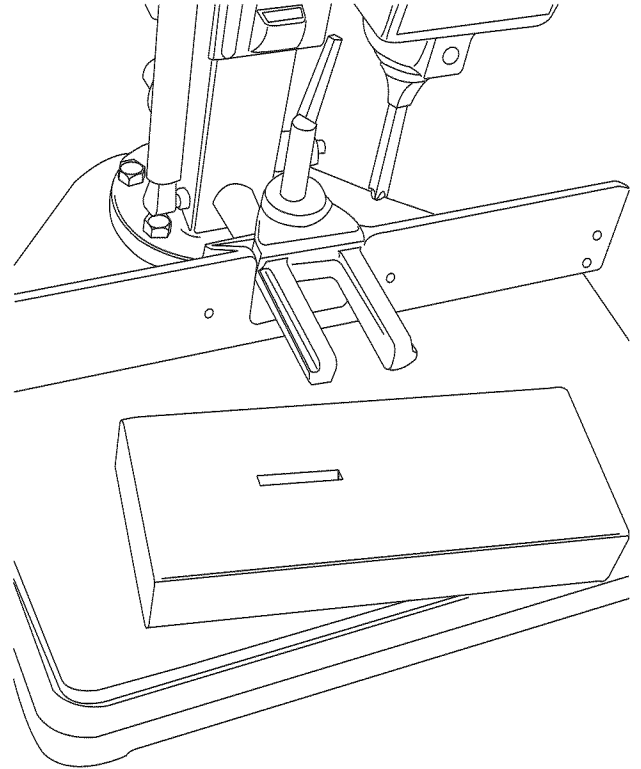
**NOTE:** You may encounter smoke from the bit or material once the chisel has engaged the material. The smoke created is a natural operating occurrence in hollow chisel mortising and is caused by material chip friction and the resins in the stock being burned off.

**Figure 38**



3. When making next penetration, leave a gap between the first and second holes. See Figure 38.

**Figure 39**



4. Once the desired length of the mortise is achieved, go back and chisel out the remaining gaps. This will ensure a smooth, clean mortise. See Figure 39.

**NOTE:** Bluing of the chisel is not indicative of a dull chisel, but a combination of friction and resin buildup on the cutting faces of the chisel. A dull chisel can be detected by the amount of excess force required to complete a cut.

# MAINTENANCE

Repairs to this power tool should be performed by trained personnel only. Contact your nearest Sears Service Center for authorized service. Unauthorized repairs or replacement with non-factory parts could cause serious injury to the operator and damage to your machine.

## WARNING

To prevent injury to yourself or damage to the machine, turn the switch to the "OFF" position and unplug the power cord from the electrical receptacle before making any adjustments.

The Mortiser will operate best if it is kept in proper operating condition. Keep unit adjusted as described in OPERATIONS AND ADJUSTMENTS.

- Turn the power switch "OFF" and unplug the power cord from its power source.
- Do not allow gum and pitch to accumulate on cutting tool.
- Do not allow chips to accumulate on or around the machine.
- Keep chisels and bits sharp. Keeping a spare set of chisels and bits on hand is recommended. Replacement chisels and bits are available at Sears.

**CAUTION: DO NOT USE FLAMMABLE MATERIALS** to clean this machine. A clean dry rag or brush is all that is needed to remove dust and debris buildup.

## PROTECTING CAST IRON TABLE FROM RUST

### WARNING

**MAKE CERTAIN** to turn the power "OFF" and unplug the power cord from its power source.

The environment and frequency of human contact can have a very detrimental impact on unpainted cast iron surfaces. Moisture, humidity and oils (from human hands!) can cause the unpainted cast iron surfaces to mar or rust, so it is important to conduct routine maintenance to keep your mortiser looking new. Cleaning and waxing the cast iron surfaces on a regular maintenance schedule is recommended as follows:

To clean and maintain the unpainted cast iron surfaces:

- Apply a heavy coat of WD-40 onto the unpainted cast iron surface.
- Use a fine steel wool pad to buff the unpainted cast iron. Make sure to buff in a "front to rear" direction only. A side-to-side buffing motion will show in the finely ground cast iron as a flaw, defect or scratches.
- Reapply WD-40 and buff the unpainted cast iron surfaces until the stain is removed. Make sure you use the same front-to-rear buffing direction to avoid scratching or marring the cast iron surface.
- After all stains and/or rust have been removed, clean all oil and dirt from the table saw using a soft cloth or rag.
- Lastly, you need to apply a good automotive paste wax to all unpainted cast iron surfaces. This will help to protect the saw from rusting from further contact with moisture or oily hands.

## LUBRICATION

The Mortiser has sealed lubricated bearings in the motor housing that do not require any additional lubrication from the operator.

- Fence guide and elevation screws should be cleaned of debris and greased as needed.
- Occasionally apply a few drops of light machine oil to gibs to keep tables free in relation to base.



# TROUBLESHOOTING GUIDE

**TO PREVENT INJURY TO YOURSELF** or damage to the mortiser, turn the switch to the OFF position and unplug the power cord from the electrical receptacle before making any adjustments.

PROBLEM	LIKELY CAUSE(S)	SOLUTION
<b>Motor does not start or does not come up to full speed</b>	<ol style="list-style-type: none"> <li>1. Switch key is removed.</li> <li>2. Defective switch</li> <li>3. Defective capacitor</li> <li>4. Low line voltage</li> <li>5. Defective motor</li> </ol>	<ol style="list-style-type: none"> <li>1. Insert switch key.</li> <li>2. Have switch replaced.</li> <li>3. Have capacitor replaced.</li> <li>4. Correct low line voltage condition. If machine is plugged into an extension cord, disconnect and plug directly into wall outlet.</li> <li>5. Have motor replaced. NOTE: 3 and 4 must be done by a qualified service technician; Consult Sears service.</li> </ol>
<b>Motor stalls or circuit breakers open frequently</b>	<ol style="list-style-type: none"> <li>1. Circuit overload</li> <li>2. Low line voltage</li> <li>3. Motor overload</li> <li>4. Incorrect fuses on circuit breakers</li> <li>5. Short circuit in motor; loose connections or worn insulation on lead wires.</li> </ol>	<ol style="list-style-type: none"> <li>1. Reduce circuit load (turn off other appliances).</li> <li>2. Correct low line voltage condition. Check line voltage with a multi-meter. If mortiser is plugged into an extension cord, unplug mortiser from extension cord and plug mortiser directly to wall outlet.</li> <li>3. Reduce load on motor, slow down feed rate.</li> <li>4. Have correct fuses on circuit breakers installed by a qualified electrician.</li> <li>5. Inspect terminals in motor for damaged insulation and shorted wires and have them replaced. Check all power lead connections.</li> </ol>
<b>Motor running too hot</b>	<ol style="list-style-type: none"> <li>1. Restricted air circulation due to dust accumulation.</li> <li>2. Motor overload</li> </ol>	<ol style="list-style-type: none"> <li>1. Clean dust and restore normal air circulation around motor.</li> <li>2. Reduce load on motor, slow down feed rate.</li> </ol>
<b>Drill bit stalls or slips</b>	<ol style="list-style-type: none"> <li>1. Drill bit is not securely tightened in chuck.</li> </ol>	<ol style="list-style-type: none"> <li>1. Install drill bit properly. See ASSEMBLING CHISEL AND BIT in ASSEMBLY INSTRUCTIONS.</li> </ol>
<b>Drill bit or material smokes or burns</b>	<ol style="list-style-type: none"> <li>1. Incorrect spindle speed.</li> <li>2. Chips not exiting out of drill hole.</li> <li>3. Dull drill bit.</li> </ol>	<ol style="list-style-type: none"> <li>1. Reduce spindle speed. See speed diagram on the under side of the belt cover.</li> <li>2. Retract drill bit frequently during drilling operation to clear chips from hole.</li> <li>3. Replace or sharpen drill bit.</li> </ol>
<b>Excessive drill bit runout or wobble</b>	<ol style="list-style-type: none"> <li>1. Bent drill bit.</li> <li>2. Drill bit not properly installed in chuck.</li> </ol>	<ol style="list-style-type: none"> <li>1. Replace with a straight or new drill bit.</li> <li>2. Install drill bit properly. See ASSEMBLING CHISEL AND BIT in ASSEMBLY INSTRUCTIONS.</li> </ol>

# PARTS

HOLLOW CHISEL MORTISER

MODEL NO. 351.219071

## WARNING

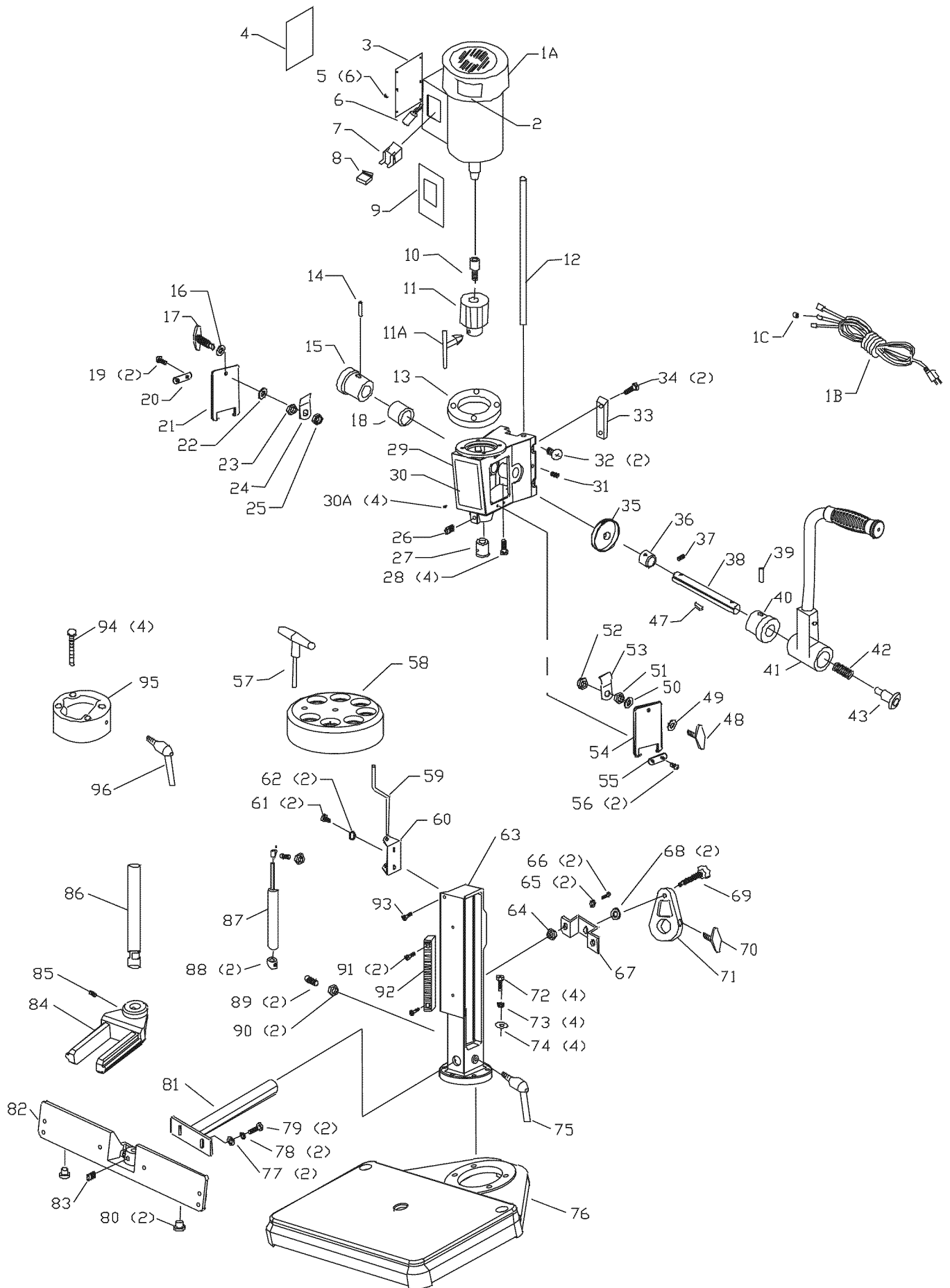
When servicing, use only CRAFTSMAN replacement parts. Use of any other parts may create a **HAZARD** or cause product damage.

## WARNING

Any attempt to repair or replace electrical parts on this Mortiser may create a **HAZARD** unless repair is done by a qualified service technician. Repair service is available at your nearest Sears Service Center.

Always order by PART NUMBER, not by key number.

KEY NO.	PART NO.	DESCRIPTION	QTY.	KEY NO.	PART NO.	DESCRIPTION	QTY.
1	OR93300	MOTOR MAIN ASSY (INCL, 1A,1B,1C,2,3,4,5,6,7,8,9)	1	55	OR93314	HINGE	1
1A	OR93301	MOTOR ASSY. INCL: 1/2HP 120V 6A 1720RPM	1	56	OR90507	M5 X 8MM PAN HD SCREW	2
1B	OR93354	POWER CORD	1	57	OR93330	T-HANDLE WRENCH	1
1C	OR93353	STRAIN RELIEF	1	58	OR93331	CHISEL HOLDER	1
2	OR93761	CRAFTSMAN LABEL	1	59	OR93332	SUPPORT BAR	1
3	OR93302	SWITCH BOX COVER	1	60	OR93333	SUPPORT BRACKET	1
4	OR93763	SPECIFICATION LABEL	1	61	OR93372	M6 X 12MM HEX SOC HD SCREW	2
5	OR93383	2.9 X 12MM SELF TAP PAN HD SCREW	6	62	STD852006	M6 LOCKWASHER	2
6	OR93303	CAPACITOR 16UF	1	63	OR93334	COLUMN	1
7	OR93304	SWITCH	1	64	OR93370	M6 NYLOK NUT	1
8	OR93305	SWITCH KEY	1	65	STD851004	M4 FLAT WASHER	2
9	OR93762	NAMEPLATE	1	66	OR90346	M4 X 8MM PAN HD SCREW	2
10	OR93306	ADAPTER	1	67	OR93335	SUPPORT PLATE	1
11	OR93307	CHUCK	1	68	STD851006	M6 FLAT WASHER	2
11A	OR93352	CHUCK KEY	1	69	OR93336	ADJUST KNOB	1
12	OR93308	DEPTH STOP ROD	1	70	OR93337	LOCK KNOB	1
13	OR93309	MOTOR SPACER	1	71	OR93338	ADJUST BRACKET	1
14	OR93376	M6 X 30MM SPRING PIN	1	72	STD835030	M8 X 30MM HEX HD SCREW	4
15	OR93310	GEAR SHAFT JOINT	1	73	STD852008	M8 LOCKWASHER	4
16	OR93311	PLASTIC WASHER	1	74	STD851008	M8 FLAT WASHER	4
17	OR93312	LOCK KNOB	1	75	OR93339	HANDLE ASSEMBLY (SHORT)	1
18	OR93313	SPACER	1	76	OR93340	BASE	1
19	OR90507	M5 X 8MM PAN HD SCREW	2	77	STD851006	M6 FLAT WASHER	2
20	OR93314	HINGE	1	78	STD852006	M6 LOCKWASHER	2
21	OR93315	COVER	1	79	OR93374	M6 X 20MM HEX SOC HD SCREW	2
22	OR93311	PLASTIC WASHER	1	80	OR93341	FENCE GLIDE PAD	2
23	STD840610	M6 HEX NUT	1	81	OR93342	FENCE GLIDE ASSY	1
24	OR93316	LOCK PLATE	1	82	OR93343	FENCE	1
25	OR93370	M6 NYLOK NUT	1	83	OR93378	M8 X 10MM HEX SOC SET SCREW	1
26	OR91821	M8 X 20MM HEX SOC SET SCREW	1	84	OR93344	HOLD DOWN	1
27	OR93317	BUSHING	1	85	OR93378	M8 X 10MM HEX SOC SET SCREW	1
28	OR93377	M6 X 45MM HEX SOC HD SCREW	4	86	OR93345	GUIDE ROD	1
29	OR93318	HEAD CASTING	1	87	OR93346	STABILIZER	1
30	OR93764	WARNING LABEL	1	88	OR93347	BALL STUD FITTING	2
30A	OR93369	3MM DRIVE RIVET	1	89	OR93348	JUNCTION SCREW	2
31	OR93380	M8 X 15MM HEX SOC SET SCREW	1	90	STD840610	M6 HEX NUT	2
32	OR93379	M8 X 10MM TRUSS HD SCREW	2	91	OR93373	M6 X 16MM HEX SOC HD SCREW	2
33	OR93319	COLUMN GUIDE GIB	1	92	OR93349	RACK GEAR	1
34	OR93381	M8 X 20MM HEX SOC HD SCREW	2	93	OR93371	M6 x 10MM HEX SOC HD SCREW	1
35	OR93320	GEAR	1	94	OR93382	M8 X 90MM HEX HD SCREW	4
36	OR93321	COLLAR	1	95	OR93350	SPACER BLOCK	1
37	OR93323	M5 X 5MM HEX SOC SET SCREW	1	96	OR93351	HANDLE ASSEMBLY (LONG)	1
38	OR93322	GEAR SHAFT	1	97	OR93355	CHISEL AND DRILL BIT ASSEMBLY KIT (INCL, 98, 99, 100, 101) (NOT SHOWN)	1
39	OR93376	M6 X 30MM SPRING PIN	1	98	OR93356	1/4" CHISEL AND DRILL BIT ASSEMBLY (NOT SHOWN)	1
40	OR93310	GEAR SHAFT JOINT	1	99	OR93359	5/16" CHISEL AND DRILL BIT ASSEMBLY (NOT SHOWN)	1
41	OR93806	HANDLE ASSEMBLY	1	100	OR93362	3/8" CHISEL AND DRILL BIT ASSEMBLY (NOT SHOWN)	1
42	OR93325	SPRING	1	101	OR93365	1/2" CHISEL AND DRILL BIT ASSEMBLY (NOT SHOWN)	1
43	OR93326	SHOULDER BOLT	1	102	OR91728	5MM HEX WRENCH (NOT SHOWN)	1
47	OR93329	KEY	1	103	OR90806	6MM HEX WRENCH (NOT SHOWN)	1
48	OR93312	LOCK KNOB	1	104	OR90292	8MM HEX WRENCH (NOT SHOWN)	1
49	OR93311	PLASTIC WASHER	1	106	OR93760	INSTRUCTION MANUAL (NOT SHOWN)	1
50	OR93311	PLASTIC WASHER	1				
51	STD840610	M6 HEX NUT	1				
52	OR93370	M6 NYLOK NUT	1				
53	OR93316	LOCK PLATE	1				
54	OR93315	COVER	1				



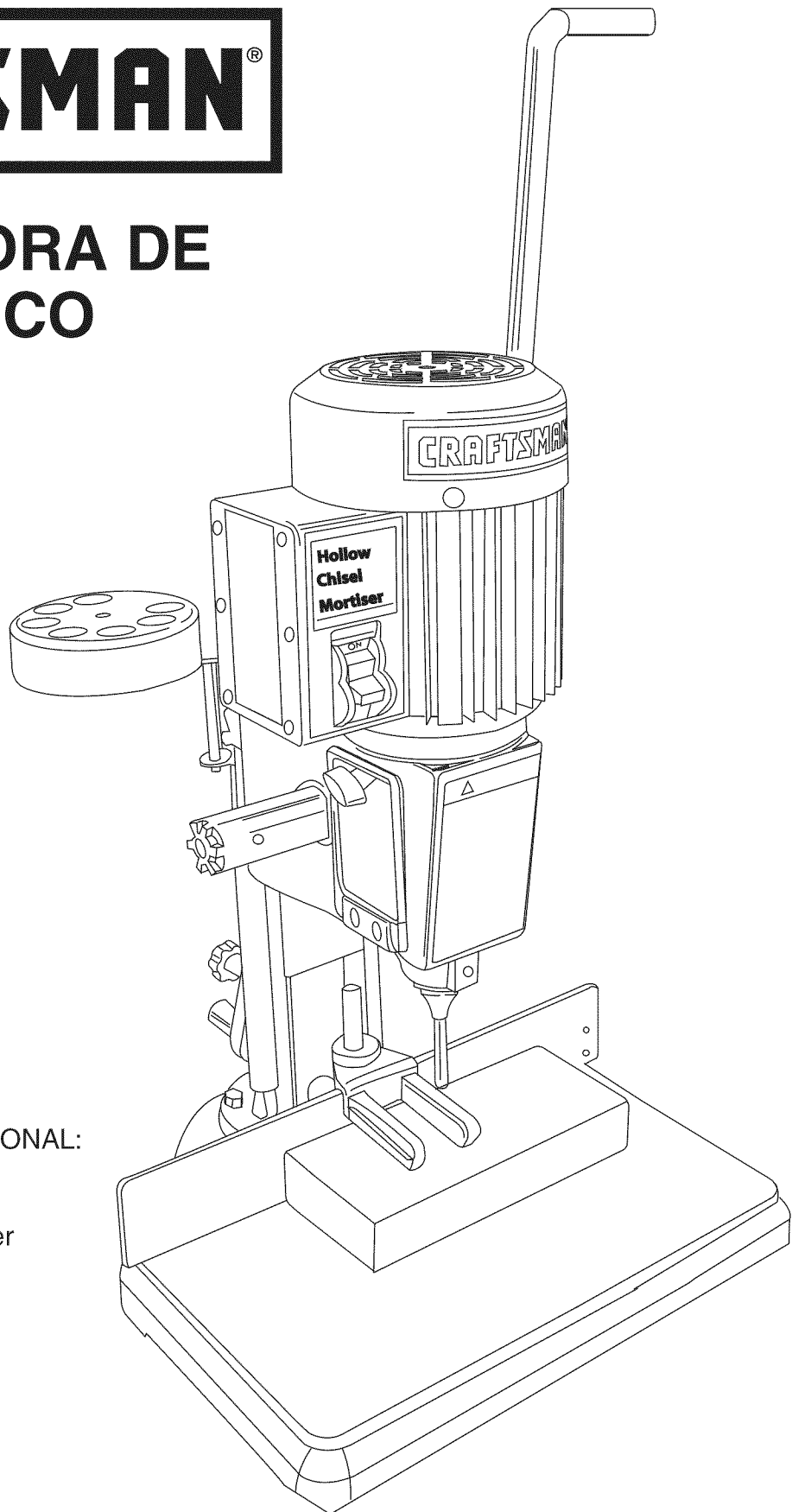


# Manual de Instrucciones



## MORTAJADORA DE CINCEL HUECO

No. de Modelo  
351.219071



### PRECAUCIÓN:

PARA SU SEGURIDAD PERSONAL:  
Lea y obedezca todas las  
Instrucciones de Seguridad y  
Funcionamiento antes de hacer  
uso de la Mortajadora.

Línea de Ayuda al Cliente

**1-800-266-9079**

Sírvase tener listo su  
No. de Modelo y No. de Serie

Sears, Roebuck and Co., Hoffman Estates, IL 60179 U.S.A.

No. de Pieza OR93760

VER. 9.08

# ÍNDICE

SECCIÓN	PÁGINA
Garantía .....	30
Especificaciones del producto .....	30
Instrucciones de seguridad.....	31
Directrices para las extensiones eléctricas.....	32
Instrucciones de conexión a tierra .....	33
Instrucciones de seguridad específicas .....	34
Accesorios y aditamentos .....	35
Contenido de la caja .....	36
Conozca su mortajadora .....	37
Instrucciones de montaje .....	38
Operaciones y ajuste .....	44
Mantenimiento .....	52
Guía de localización de averías .....	53
Listado de piezas .....	54
Información de servicio .....	Contraportada

## GARANTÍA

### GARANTIA COMPLETA DE UN AÑO PARA HERRAMIENTA CRAFTSMAN

Si esta herramienta Craftsman fallara por causa de defectos en el material o en la mano de obra en un lapso de un año a partir de la fecha de compra, LLAME al 1-800-4-MY-HOME® PARA SOLICITAR LA REPARACION GRATUITA DEL PRODUCTO (o su reemplazo si no se puede reparar la unidad).

Si esta herramienta se usa alguna vez para fines comerciales o de alquiler, esta garantía es válida únicamente por 90 días a partir de la fecha de compra.

Esta garantía aplica únicamente mientras la herramienta esta en los Estados Unidos.

Esta garantía le otorga derechos legales específicos y también puede usted tener otros derechos que varíen de estado a estado.

Sears, Roebuck and Co., Hoffman Estates, IL 60179

## ESPECIFICACIONES DEL PRODUCTO

Tipo de motor:	Inducción	Altura del bloque de elevación	2-1/4 pulg.
HP de servicio continuo	1/2 hp	Guía compatible con el bloque de elevación	Sí
Amperios	6	Microajuste compatible con el bloque de elevación	Sí
Voltios	120	Golpe de carrera máximo	5 pulg.
Hertzios	60	Distancia del fondo del cabezal a la base	8 pulg.
RPM	1725	Distancia del centro del cincel a la guía	3-1/8 pulg.
Tipo de mandrino	Llave	Bajo el retén, posición baja	7/8 a 3-1/4 pulg.
Capacidad máxima del mandrino	3/8 pulg.	Bajo el retén, posición elevada	1-7/8 a 4-1/4 pulg.
Dimensiones de cincel:	1/4 x 1/4 pulg.	Dimensiones de la guía	14-1/2 x 2-1/2 pulg.
	5/16 x 5/16 pulg.	Dimensiones de la base	13-3/4 x 8-3/4 pulg.
	3/8 x 3/8 pulg.	Dimensiones totales: Alto:	31 pulg.
	1/2 x 1/2 pulg.	Ancho:	14-1/2 pulg.
Microajuste	Sí	Profundidad:	16-1/2 pulg.
Portador de broca	Sí	Peso:	68 libras
Posición de la agarradera	Izquierda o derecha, intercambiable		
Bloque de elevación incluido	Sí		

# INSTRUCCIONES DE SEGURIDAD

## INSTRUCCIONES GENERALES DE SEGURIDAD

El uso de una Mortajadora puede ser peligroso si se hace caso omiso de la seguridad y el sentido común. El operario debe estar familiarizado con el funcionamiento de esta herramienta. **NO OPERE** esta Mortajadora si no entiende plenamente las limitaciones de esta herramienta. **NO MODIFIQUE** este Mortajadora de ninguna manera. **RECUERDE:** Su seguridad personal es su responsabilidad.

## ANTES DE HACER USO DE LA MORTAJADORA

### **ADVERTENCIA**

Lea y obedezca todas las instrucciones de Seguridad y Operación antes de operar la Mortajadora para evitar heridas graves y daño a la herramienta.

### **ADVERTENCIA**

1. Parte del polvo que se crea usando las herramientas eléctricas contiene productos químicos que el estado de California reconoce como causantes de cáncer, defectos de nacimiento, o daños en el sistema reproductivo. Algunos ejemplos de estos productos químicos son:
  - El plomo de pinturas con base de plomo
  - El Silicón cristalino de ladrillos, cemento, y de otros productos de albañilería
  - El arsénico y el cromo de la madera de construcción químicamente tratadaEl riesgo de estas exposiciones varía, dependiendo de cuantas veces se realiza este tipo de trabajo. Para reducir tu exposición a estos productos químicos, trabaje en un área bien ventilada, y trabaje con el equipo aprobado de seguridad, tal como máscaras diseñadas para el polvo.
2. **LEA** el Manual de Instrucciones cabalmente. **APRENDA** como usar la herramienta para su aplicación propuesta.
3. **CONECTE TODAS LAS HERRAMIENTAS A TIERRA.** Si la herramienta viene equipada con un enchufe de tres machos, se le debe enchufar en un tomacorrientes de tres contactos. El tercer macho se utiliza para conectar la herramienta a tierra y ofrecer protección contra los choques eléctricos accidentales. **NO quite** el tercer macho. Ver Instrucciones de conexión a tierra.
4. **EVITE UN ENTORNO DE TRABAJO PELIGROSO.** **NO** utilice las herramientas eléctricas en entornos húmedos ni las exponga a la lluvia.
5. **NO** utilice herramientas eléctricas en la presencia de líquidos o gases inflamables.
6. Mantenga la zona de trabajo limpia, bien iluminada y organizada **EN TODO MOMENTO.** **NO** trabaje en un entorno con superficies de piso resbalosas debido a los escombros, grasas y cera.
7. **MANTENGA ALEJADOS A LOS VISITANTES Y NIÑOS.** **NO** permita que haya gente en la zona inmediata de trabajo, sobre todo cuando la herramienta eléctrica se encuentre en funcionamiento.

8. **NO FUERCE LA HERRAMIENTA** para realizar una operación para la que no fue diseñada. Realizará un trabajo más seguro y de mayor calidad sólo efectuando aquellas operaciones para las que fue diseñada.
9. **UTILICE LA VESTIMENTA CORRECTA.** **NO** utilice ropa holgada, guantes, corbatas ni artículos de joyería. Estos artículos pueden quedar atrapados en la máquina durante las operaciones y arrastrar al operario hacia las piezas en movimiento. El usuario debe llevar una cubierta protectora sobre su cabello, si tiene cabello largo, para protegerlo contra el contacto con cualquier pieza en movimiento.
10. **UTILICE PROTECCIÓN OCULAR SIEMPRE.** Cualquier herramienta mecánica puede expulsar escombros hacia los ojos durante las operaciones, causando daño ocular grave y permanente. Los anteojos de uso cotidiano **NO** son gafas de seguridad. Utilice gafas de seguridad **SIEMPRE** (que cumplan con la normativa Z87.1 de ANSI) cuando vaya a operar herramientas mecánicas. Las gafas de seguridad están disponibles en las tiendas de Ventas al Detalle de Sears.



11. **UTILICE PROTECCIÓN AUDITIVA SIEMPRE.** El algodón por sí solo no constituye un dispositivo de protección aceptable. El equipo auditivo debe cumplir con las normativas S3.19 de ANSI.
12. **DESENCHUFE LA HERRAMIENTA DEL TOMACORRIENTES SIEMPRE** que vaya a realizar cualquier ajuste, recambio de piezas o llevar a cabo cualquier tarea de mantenimiento.
13. **MANTENGA TODOS LOS PROTECTORES EN SUS SITIOS Y EN BUENAS CONDICIONES DE TRABAJO.**
14. **EVITE LOS ARRANQUES ACCIDENTALES.** Asegúrese de que el interruptor de energía se encuentre en la posición de "OFF" (apagado) antes de enchufar el cordón de potencia y causar daño a la herramienta.
15. **RETIRE TODAS LAS HERRAMIENTAS DE MANTENIMIENTO** de la zona inmediata antes de **ENCENDER** la herramienta.
16. **SÓLO UTILICE LOS ACCESORIOS RECOMENDADOS.** El uso de accesorios incorrectos o indebidos puede resultar en heridas graves al operario y causar daño a la herramienta. Si tiene dudas, consulte el manual de instrucciones que viene con ese accesorio en particular.
17. **NUNCA DEJE UNA MÁQUINA EN FUNCIONAMIENTO SIN ATENDER.** Mueva el interruptor de energía a la posición de "OFF" (apagado). **NO** se aleje de la máquina hasta que se haya detenido por completo.
18. **NO SE PARE SOBRE LA HERRAMIENTA.** Esto podría resultar en heridas graves si la herramienta se vuelca o si usted hace contacto accidental con la herramienta.

19. **NO** almacene nada sobre o cerca de la herramienta donde alguien pueda intentar pararse sobre la herramienta para alcanzarlo.
20. **MANTENGA SU EQUILIBRIO. NO** se extienda sobre la herramienta. Utilice calzado con suelas de caucho y resistentes al aceite. Mantenga el piso despejado de escombros, grasas o cera.
21. **MANTENGA SUS HERRAMIENTAS CON CUIDADO.** Mantenga sus herramientas limpias y en buen estado de funcionamiento siempre. Mantenga filosas todas las hojas y las brocas.
22. **EN TODA Y CADA UNA OCASIÓN, REVISE SI EXISTEN PIEZAS DAÑADAS ANTES DE HACER USO DE LA HERRAMIENTA.** Revise todos los protectores cuidadosamente para asegurarse de que funcionen correctamente, que no estén dañados, y que realicen sus funciones destinadas. Revise la alineación y si existe atascadura o ruptura de las piezas en movimiento. Un protector u otra pieza dañada debe repararse o sustituirse inmediatamente.
23. **HAGA SU TALLER A PRUEBA DE NIÑOS** al quitar las llaves de los interruptores, desenchufando las herramientas de sus tomacorrientes y usando candados.
24. **NO OPERE LA HERRAMIENTA SI SE ENCUENTRA BAJO LA INFLUENCIA DEL ALCOHOL O DE LAS DROGAS.**
25. **AFIANCE TODO EL TRABAJO.** Cuando sea posible, haga uso de abrazaderas o plantillas para afianzar el material. Esto resulta más seguro que intentar sujetar el material con sus manos.
26. **MANTÉNGASE ALERTA, MIRE LO QUE ESTÁ HACIENDO Y TENGA SENTIDO COMÚN CUANDO VAYA A HACER USO DE UNA HERRAMIENTA MECÁNICA. NO UTILICE UNA HERRAMIENTA CUANDO ESTÉ CANSADO NI BAJO LA INFLUENCIA DE DROGAS, ALCOHOL O MEDICAMENTOS.** Un momento de inatención durante el uso de herramientas mecánicas puede resultar en heridas personales graves.
27. **UTILICE SIEMPRE UNA CARETA CONTRA EL POLVO PARA EVITAR ASPIRAR POLVOS PELIGROSOS O PARTÍCULAS EN EL AIRE,** incluyendo polvo de madera, polvo de sílice cristalino y polvo de asbesto. Dirija las partículas en dirección opuesta al rostro y el cuerpo. Opere la herramienta siempre en una zona bien ventilada y proporcione la remoción apropiada del polvo. Utilice un sistema de recolección de polvo siempre que sea posible. La exposición al polvo puede ocasionar daños respiratorios graves y permanentes u otras heridas, incluyendo silicosis (una enfermedad pulmonar grave), cáncer y la muerte. Evite aspirar el polvo y evite el contacto prolongado con el polvo. El permitir la entrada del polvo en su boca u ojos, o dejar que permanezca sobre su piel, puede promover la absorción de material dañino. Utilice protección respiratoria de ajuste correcto, aprobada por NIOSH/OSHA y apropiada para la exposición al polvo, y lave las zonas expuestas con jabón y agua.

28. **UTILICE UNA EXTENSIÓN ELÉCTRICA EN BUEN ESTADO.** Cuando vaya a hacer uso de una extensión eléctrica, asegúrese de utilizar una que sea lo suficientemente pesada como para portar la corriente requerida por su producto. Tenga la bondad de ver el cuadro de calibres mínimos recomendados para las extensiones eléctricas (AWG) para el dimensionamiento correcto de una extensión eléctrica. Si tiene dudas, utilice el próximo calibre más pesado.

## DIRECTRICES PARA LAS EXTENSIONES ELÉCTRICAS

Mientras menor sea el número de calibre, mayor será el diámetro de la extensión eléctrica. Si tiene dudas sobre las dimensiones correctas de una extensión eléctrica, utilice una extensión más corta y gruesa. Una extensión de tamaño reducido producirá un bajón en la tensión de línea, resultando en la pérdida de energía y el sobrecalentamiento. **USE SÓLO UNA EXTENSIÓN ELÉCTRICA DE TRES ALAMBRES CON ENCHUFE DE CONEXIÓN A TIERRA DE TRES MACHOS Y RECEPTÁCULO DE TRES MACHOS QUE ACEPTE EL ENCHUFE DE LA HERRAMIENTA.**

Si va a hacer uso de una extensión eléctrica a la intemperie, esté seguro de que esté marcado con el sufijo “W-A” (“W” en Canadá) para indicar que es aceptable para el uso a la intemperie.

Esté seguro de que su extensión eléctrica tenga las **dimensiones correctas** y esté en buen estado de funcionamiento. Reponga siempre una extensión eléctrica dañada o haga que una persona competente la repare antes de hacer uso de ella.

Proteja sus extensiones eléctricas contra los objetos **filosos**, el calor excesivo y los lugares húmedas o mojadas.

CALIBRE MÍNIMO RECOMENDADO PARA LAS EXTENSIONES ELÉCTRICAS (AWG)			
FUNCIONAMIENTO A 120 VOLTIOS SOLAMENTE			
	25 PIES DE LARGO	50 PIES DE LARGO	100 PIES LARGO
0 a 6 Amperios	18 AWG	16 AWG	16 AWG
6 a 10 Amperios	18 AWG	16 AWG	14 AWG
10 a 12 Amperios	16 AWG	16 AWG	14 AWG
12 a 15 Amperios	14 AWG	12 AWG	No se recomienda



# INSTRUCCIONES DE CONEXIÓN A TIERRA

## **⚠ ADVERTENCIA**

**ESTA HERRAMIENTA DEBE ESTAR CONECTADA A TIERRA DURANTE EL USO PARA PROTEGER AL OPERARIO CONTRA LOS CHOQUES ELÉCTRICOS.**

**EN EL CASO DE UN MALFUNCIONAMIENTO O AVERÍA,** la conexión a tierra ofrece el trecho de menor resistencia para la corriente eléctrica y reduce el riesgo de choque eléctrico. Esta herramienta viene equipada con un cordón de energía que tiene un conductor de conexión a tierra del equipo y un enchufe de conexión a tierra. El enchufe **DEBE** estar enchufado a un tomacorrientes que coincida con el mismo y es correctamente instalado y conectado a tierra en conformidad con **TODOS** los códigos y ordenanzas en el ámbito local.

**NO MODIFIQUE EL ENCHUFE SUMINISTRADO.** Si no cabe en el tomacorrientes existente, haga que un electricista competente instale el tomacorrientes apropiado.

**LA CONEXIÓN ELÉCTRICA INCORRECTA** del conductor de conexión a tierra del equipo puede resultar en el peligro de choques eléctricos. El conductor con el aislante verde (con o sin rayas amarillas) es el conductor de conexión a tierra del equipo. **NO** conecte el conductor de conexión a tierra del equipo a una terminación con corriente si se requiere la reparación o el reemplazo del cordón de energía o del enchufe.

**CONSULTE** con un electricista competente o personal de servicio si no entiende completamente las instrucciones de conexión a tierra, o si no está seguro si la herramienta se encuentra debidamente conectada a tierra.

El motor suministrado con su Mortajadora es un motor monofásico de 120 voltios. Se envía ya cableada para las aplicaciones a 120 voltios. Jamás conecte el alambre verde a una terminación con corriente.

**USE SÓLO UNA EXTENSIÓN ELÉCTRICAS DE TRES HILOS CON ENCHUFE DE CONEXIÓN A TIERRA DE TRES MACHOS Y RECEPTÁCULO DE TRES MACHOS QUE ACEPTE EL ENCHUFE DE LA HERRAMIENTA.**

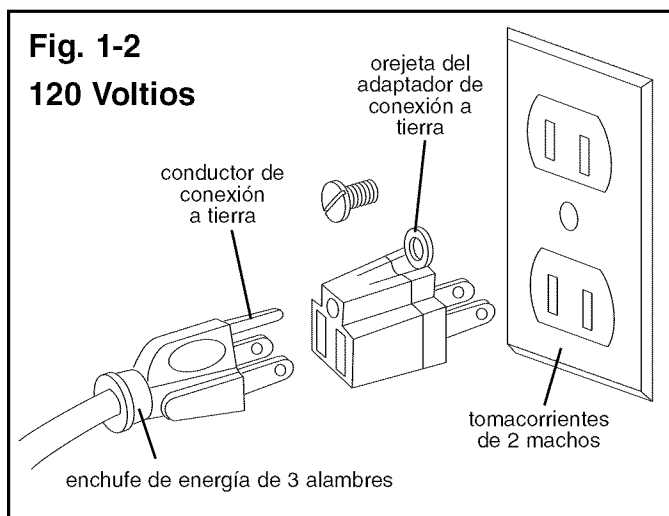
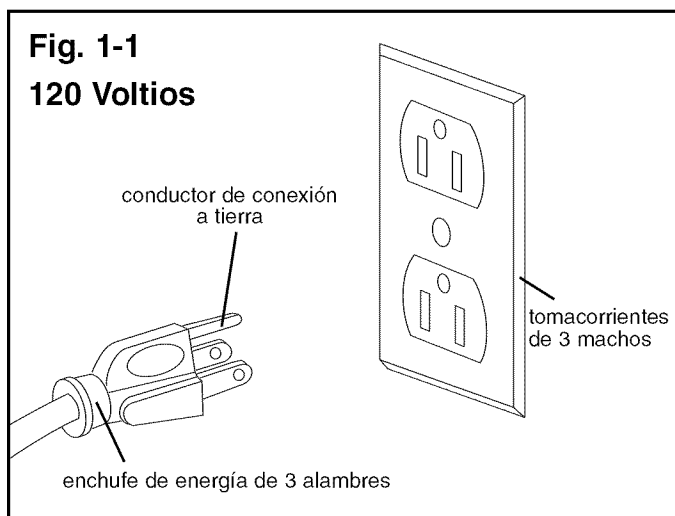
**REPONGA CUALQUIER CORDÓN DAÑADO O GASTADO INMEDIATAMENTE.**

Esta herramienta está diseñada para el uso en un circuito que tiene un tomacorrientes conforme a lo ilustrado en la **FIGURA 1**. La **FIGURA 1** muestra un enchufe eléctrico de 3 alambres y tomacorrientes con conductor de conexión a tierra. Si no hay un tomacorrientes disponible, puede hacerse uso provisional de un adaptador como el que aparece en la **FIGURA 2** para conectar este enchufe a un tomacorrientes de 2 contactos que no esté conectado a tierra. El adaptador dispone de una orejeta rígida que se extiende del mismo y que **DEBE** estar conectado a una conexión a tierra permanente, tal como un tomacorrientes debidamente conectado a tierra. **ESTE ADAPTADOR ESTA PROHIBIDO EN CANADÁ.**

**PRECAUCIÓN:** Asegúrese en todos los casos de que el tomacorrientes en cuestión esté debidamente conectado a tierra. Si no está seguro, haga que un electricista competente revise el tomacorrientes.

## **⚠ ADVERTENCIA**

Esta Mortajadora debe usarse sólo bajo techo. No la utilice en entornos húmedos ni la exponga a la lluvia.



## INSTRUCCIONES ESPECÍFICAS DE SEGURIDAD

**UTILICE PROTECCIÓN OCULAR SIEMPRE.** Cualquier herramienta mecánica puede expulsar escombros hacia los ojos durante las operaciones, lo que puede causar daño ocular grave y permanente. Los anteojos cotidianos **NO** son gafas de seguridad. Utilice Gafas de Seguridad (que cumplan con la normativa Z87.1 de ANSI) **SIEMPRE** cuando vaya a operar herramientas mecánicas. Las gafas de seguridad están disponibles en las tiendas de Ventas al Detal de Sears.

Se deben obedecer ciertos procedimientos básicos durante el uso de cualquier herramienta mecánica. Para reducir el riesgo de heridas, choques eléctricos o incendios, cumpla con las reglas de seguridad que aparecen a continuación:

1. **LEA** y entienda el manual de instrucciones antes de operar esta herramienta mecánica.
2. **NO OPERE ESTA MÁQUINA** hasta que haya sido montada e instalada de acuerdo con las instrucciones.
3. **ASESÓRESE CON SU SUPERVISOR**, instructor u otra persona capacitada si no está familiarizado con las operaciones de esta herramienta mecánica.
4. **NO** deje ninguna herramienta mecánica enchufada al tomacorrientes. Desenchúfela del tomacorrientes cuando no esté en uso y antes de rendir servicio o limpieza.
5. **PARA REDUCIR EL PELIGRO DE LOS CHOQUES ELÉCTRICOS**, no use la herramienta a la intemperie. No la exponga a la lluvia. Almacénela bajo techo.
6. **OBEDEZCA** todos los códigos eléctricos y de seguridad, incluyendo el Código Eléctrico Nacional (NEC) y los Reglamentos de Seguridad y Salud en el Trabajo (OSHA). Todas las conexiones y cableado deben ser realizadas por personal competente solamente.
7. **NO** maneje el enchufe ni la mortajadora con las manos mojadas.
8. **CONECTE** la herramienta mecánica a un tomacorrientes debidamente conectado a tierra. Consulte las instrucciones de conexión a tierra.
9. **AFIANCE LA MÁQUINA A UNA SUPERFICIE DE APOYO.** Las vibraciones pueden hacer que la máquina se deslice, camine o se vuelque.
10. **JAMÁS ARRANQUE LA MÁQUINA** con la broca o la herramienta de corte contra el material. La pérdida de control del material puede resultar en heridas graves.
11. **ENCIERRE LA BROCA O HERRAMIENTA CORTANTE EN LA UNIDAD** antes de hacer uso de la máquina.
12. **AJUSTE** el tope de profundidad para evitar perforar la mesa.
13. **NO** intente amortajar material que no tenga una superficie plana a menos que se utilice un apoyo adecuado.
14. **USE SÓLO BROCAS, HERRAMIENTAS CORTANTES U OTROS ACCESORIOS** con el tamaño de espiga recomendada en su manual de servicio. El accesorio de tamaño incorrecto puede ocasionar daño a la máquina y/o heridas graves.
15. **USE SÓLO BROCAS O HERRAMIENTAS CORTANTES** que no estén dañadas. Los artículos dañados pueden causar averías que resultan en heridas.
16. **SIEMPRE** posicione el retén directamente sobre el material para impedir que el levantamiento del material durante la operación. La pérdida de control del material puede resultar en lesiones graves.
17. **APAGUE LA MÁQUINA Y ESPERE A QUE LA BROCA, HERRAMIENTA DE CORTE O TAMBOR DE LIJADO DEJEN DE GIRAR** antes de limpiar la zona de trabajo, retirar los escombros, quitar o asegurar el material, o cambiar el ángulo de la mesa. Una broca o herramienta cortante en movimiento puede ocasionar heridas graves.
18. **APOYE ADECUADAMENTE LOS MATERIALES LARGOS O ANCHOS.** La pérdida de control del material puede resultar en heridas graves.
19. **JAMÁS REALICE LABORES DE TRAZADO, ENSAMBLADO O MONTAJE** sobre la mesa / zona de trabajo cuando la máquina esté funcionando. Esto puede resultar en heridas graves.
20. **APAGUE LA MÁQUINA**, desconecte la máquina de la fuente de energía y limpie la mesa / zona de trabajo antes de apartarse de la máquina. **QUITE LA LLAVE DEL INTERRUPTOR** para impedir el uso desautorizado. Otra persona podrá arrancar la máquina accidentalmente y herirse gravemente.
21. **REPONGA** cualquier cordón dañado inmediatamente. **NO** utilice un cordón o enchufe dañado. Si la herramienta mecánica no funciona correctamente, o si se ha dañado, dejado a la intemperie o entrado en contacto con agua, devuélvala a un centro de servicio Sears.
22. **TILÍCELA** sólo conforme a lo descrito en este manual. **SÓLO** utilice accesorios recomendados por Sears.
23. **USO** solamente la llave que se proporciona el mortiser por el fabricante o un duplicado de él, un mecanismo de la eyección es utilizado como parte integral de la llave, se piensa para el retiro o la uno mismo-eyección obligatorio de la llave de la tirada antes de que el mortiser se pueda girar.
24. **INFORMACIÓN ADICIONAL** acerca del funcionamiento seguro y correcto de este producto está disponible de parte del National Safety Council, 1121 Spring Lake Drive, Itasca, IL 60143-3201 en el Manual de Prevención de Accidentes para Operaciones Industriales, y también en las Hojas de Datos de Seguridad suministradas por la NSC. Tenga la bondad de referirse también a ANSI O1.1, Requisitos de Seguridad para Máquinas de Ebanistería de la American National Standards Institute, y el Reglamento 1910.213 de la OSHA del Departamento del Trabajo de los EE.UU.
25. **GUARDE ESTAS INSTRUCCIONES.** Refiérase a ellas frecuentemente y utilícelas para capacitar a otros usuarios.

# ACCESORIOS Y ADITAMENTOS

## ACCESORIOS DISPONIBLES

Podrían encontrarse disponibles en su Departamento de Ferretería Sears o consulte el Catálogo de Herramientas Manuales y Mecánicas Sears o visite [WWW.SEARS.COM](http://WWW.SEARS.COM) para obtener información sobre los siguientes accesorios:

ARTÍCULO	NÚMERO DE EXISTENCIA
Broca para Mortajadora 1/4 pulg.	26411
Broca para Mortajadora 5/16 pulg.	26412
Broca para Mortajadora 3/8 pulg.	26413
Broca para Mortajadora 1/2 pulg.	26414
Cinzel de Mortajadora 1/4 pulg.	26415
Cinzel de Mortajadora 5/16 pulg.	26416
Cinzel de Mortajadora 3/8 pulg.	26417
Cinzel de Mortajadora 1/2 pulg.	26418

Sears podrá recomendar otros accesorios que no están listados en este manual.

Consulte con su Departamento de Ferretería Sears más cercano o su Catálogo de Herramientas Manuales y Mecánicas de Craftsman para otros accesorios.

No haga uso de ningún accesorio a menos que haya leído cabalmente el Manual de Instrucciones para dicho accesorio.

## **ADVERTENCIA**

Sólo utilice accesorios recomendados para esta mortajadora. El uso de cualquier otro accesorio podrá ocasionar heridas graves y producir daño la mortajadora.

# CONTENIDO DE LA CAJA

## DESEMPAQUE Y COTEJO DEL CONTENIDO

Esta mortajadora necesitará cierta cantidad de montaje. Se han suministrado tres llaves Allen de agarradera en "L" (8 mm, 6 mm y 5 mm) y una llave Allen de agarradera en "T" (4 mm) para el montaje.

Quite todos los materiales y revestimientos protectivos de las piezas. Los revestimientos protectivos pueden quitarse rociando WD-40 sobre una pieza y frotándola con un paño suave. Podrá ser necesario repetir el proceso varias veces antes de poder quitar todos los revestimientos protectivos completamente.

**PRECAUCIÓN:** NO utilice acetona, gasolina o diluyente de laca para quitar los revestimientos protectivos.

Después de la limpieza, aplique una cera automotriz de buena calidad sobre todas las superficies sin pintar. Asegúrese de frotar la cera para eliminarla antes del montaje.

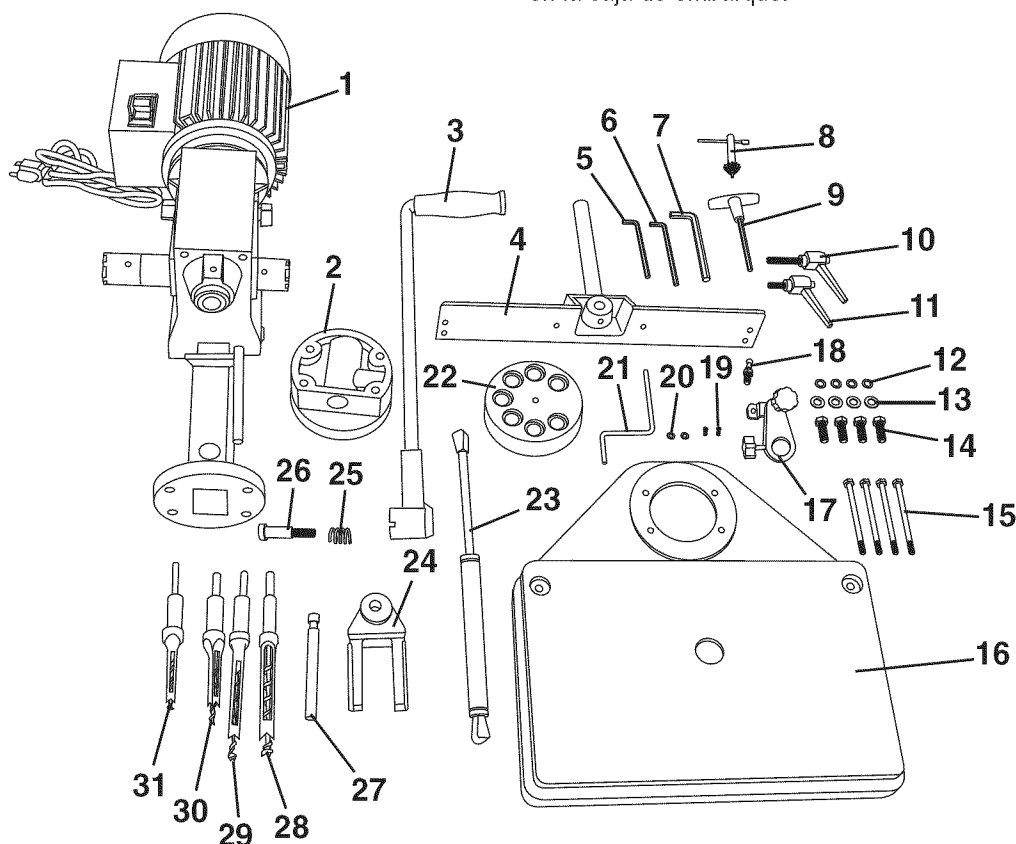
Quite todas las piezas de la caja de envío y colóquelas sobre una superficie de trabajo limpia. Compare los artículos con la Figura 3 y compruebe que todos los artículos estén contabilizados antes de descartar la caja de envío.

## ⚠️ ADVERTENCIA

Para evitar heridas graves, no intente enchufar el cordón de energía y ENCENDER la mortajadora si faltan piezas. La mortajadora sólo debe encenderse después de haber obtenido todas las piezas y de haberlas instalado correctamente.

Los siguientes artículos y herramienta deben proporcionarse en la caja de embarque.

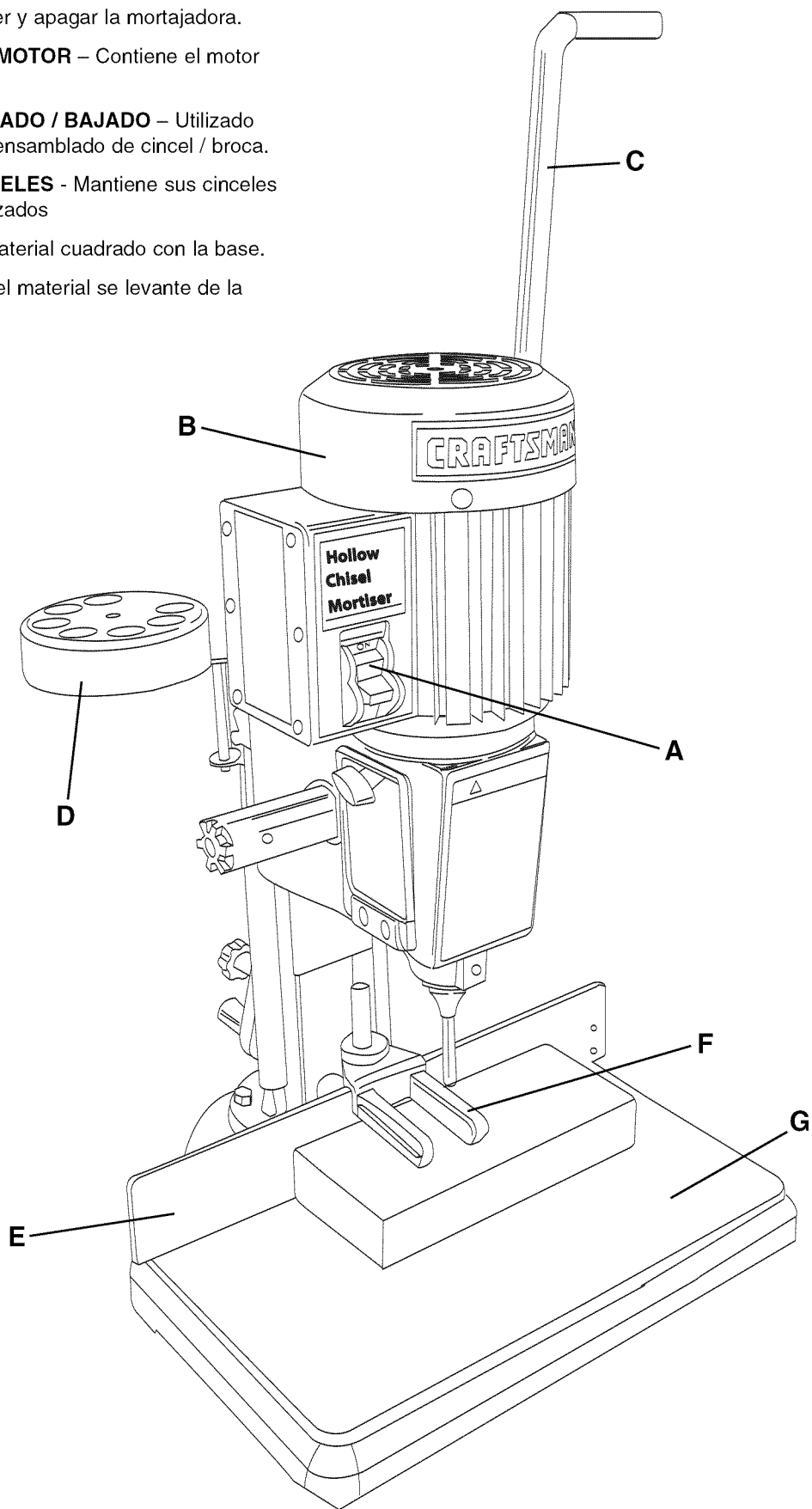
Figure 3



- |   |  |   |
|---|--|---|
| 1. Mortajadora                            | 13. Arandelas planas M8 (4)                        | 23. Cilindro hidráulico                     |
| 2. Bloque separador                       | 14. Tornillos de cabeza hexagonal M8 x 30 mm (4)   | 24. Retén                                   |
| 3. Agarradera de izado / bajada           | 15. Tornillos de cabeza hexagonal M8 x 80 mm (4)   | 25. Resorte                                 |
| 4. Ensamblado de la guía                  | 16. Base   | 26. Perno de saliente                       |
| 5. Llave Allen agarradera en "L" 5 mm     | 17. Ensamblado de microajuste                      | 27. Vara de guía                            |
| 6. Llave Allen agarradera en "L" 6 mm     | 18. Aditamento del gorrón de bola inferior         | 28. Cincel y broca de amortajado 1/2 pulg.  |
| 7. Llave Allen agarradera en "L" 8 mm     | 19. Tornillos de cabeza troncocónica M4 x 8 mm (2) | 29. Cincel y broca de amortajado 3/8 pulg.  |
| 8. Llave del mandrino                     | 20. Arandelas planas M4 (2)                        | 30. Cincel y broca de amortajado 5/16 pulg. |
| 9. Llave Allen agarradera en "T" 4 mm     | 21. Barra de apoyo                                 | 31. Cincel y broca de amortajado 1/4 pulg.  |
| 10. Agarradera de cierre larga de la guía | 22. Portador de herramientas y cincelos            |   |
| 11. Agarradera de cierre corta de la guía |  |   |
| 12. Arandelas de cierre M8 (4)            |  |   |

# CONOZCA SU MORTAJADORA

- A. **INTERRUPTOR DE ENCENDIDO / APAGADO** – Utilizado para encender y apagar la mortajadora.
- B. **ALOJAMIENTO DEL MOTOR** – Contiene el motor eléctrico.
- C. **AGARRADERA DE IZADO / BAJADO** – Utilizado para elevar y bajar el ensamblado de cincel / broca.
- D. **PORTADOR DE CINCELES** - Mantiene sus cincelos convenientes y organizados
- E. **GUÍA** – Mantiene el material cuadrado con la base.
- F. **RETÉN** – Impide que el material se levante de la base.
- G. **BASE**



# INSTRUCCIONES DE MONTAJE

Se suministran cuatro tamaños distintos de llave Allen para ayudar con el montaje de la Mortajadora.

## ⚠ ADVERTENCIA

1. **NO** monte la Mortajadora hasta estar seguro de que la herramienta está desconectada de la fuente de energía.
2. **NO** monte la Mortajadora hasta estar seguro de que el interruptor de energía está en la posición de apagado.

## MONTAJE DEL CILINDRO HIDRÁULICO

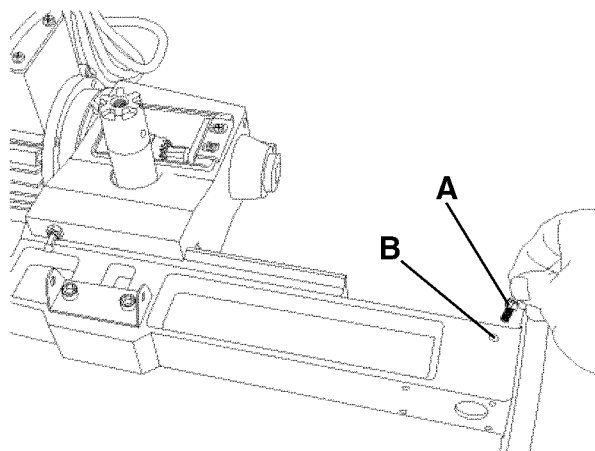
### ⚠ ADVERTENCIA

La atadura del cilindro hidráulico primero se asegura que el jefe del mortiser no pueda resbalar abajo de la columna del mortiser mientras que lo una a la base. No procure unir la columna a la base sin el cilindro hidráulico unido, el jefe del mortiser puede resbalar abajo de la columna y machacar los dedos del operador.

### ⚠ ADVERTENCIA

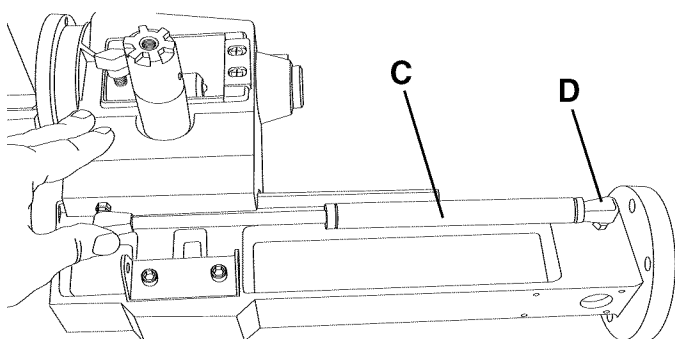
Asegúrese de que la máquina esté desconectada de la fuente de energía.

Figura 4



1. Enroscas el tornillo más bajo de la ensambladura (A) en el agujero (B) de la columna de la escopladora según las indicaciones del cuadro 4 .

Figura 5



2. Encajar a presión el cilindro hidráulico( C) sobre el tornillo más bajo de la ensambladura aplicando la presión firme al cilindro. Véase el cuadro 5.

3. Unir el otro extremo del cilindro hidráulico al tornillo superior de la ensambladura en la base de la cabeza de la escopladora.

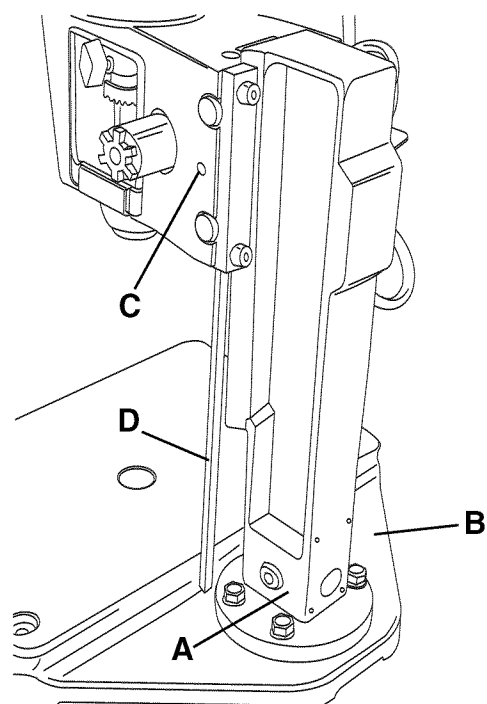
**NOTA:** Si la cabeza de la escopladora no resbala hacia arriba lo suficientemente lejos para acomodar al cilindro hidráulico, quitar el tornillo de cabeza de socket M6 x 10mm (no mostrado) situado en la tapa de la columna de la escopladora. Esto permitirá que la cabeza resbale más allá de su trayectoria normal, permitiendo que se instale el cilindro hidráulico. Una vez que el cilindro hidráulico esté instalado, **ASEGURE** de reinstalar el tornillo de casquillo o de socket. Esto sirve como la parada del límite superior y se debe reinstalar antes de usar la escopladora.

## MONTAJE DE LA BASE

### ⚠ ADVERTENCIA

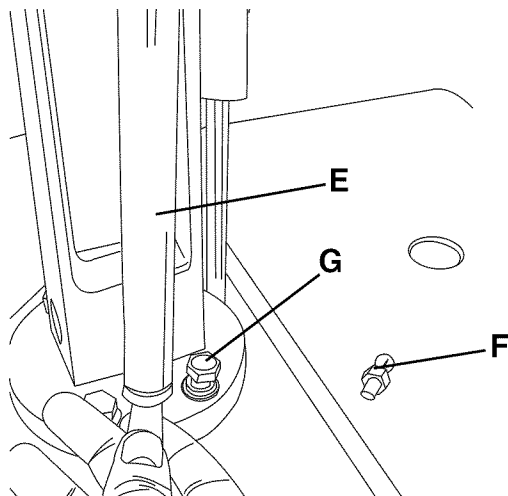
Asegúrese de que la máquina esté desconectada de la fuente de energía.

Figura 6



1. Coloque la columna de la mortajadora (A) sobre la base (B), alineando los cuatro agujeros en la columna de la mortajadora con los cuatro agujeros en la base. Ver la Figura 6.
2. Coloque una arandela de cierre M8 y una arandela plana M8 sobre cada uno de los cuatro tornillos de cabeza hexagonal M8 x 30 mm.
3. Inserte tres tornillos de cabeza hexagonal M8 x 30 mm a través del fondo de la mortajadora. Enróquelos a la base y apriételos de manera segura. Ver la Figura 6.
4. Afloje el tornillo de fijación (C) y posicione la vara del tope de profundidad (D) para que haga contacto con la base según lo ilustrado en la Figura 6.
5. Apriete el tornillo de fijación.

**Figura 7**



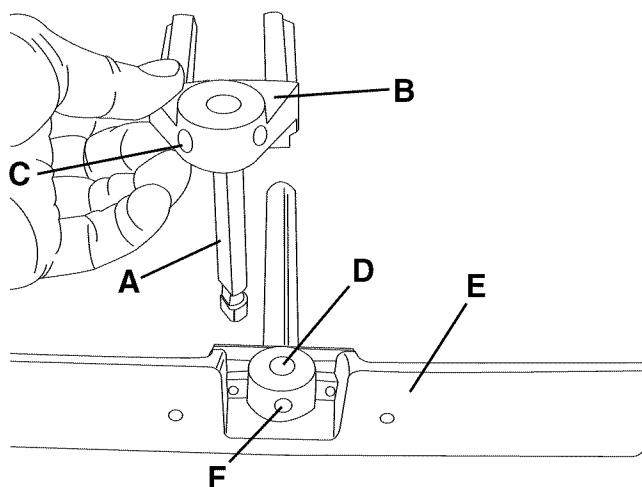
6. Separar el cilindro hidráulico (E) del tornillo más bajo de la ensambladura. Véase el cuadro 7.
7. Desatornillar el tornillo más bajo de la ensambladura (F).
8. Inserte el tornillo de cabeza hexagonal M8 x 30 mm final (G) a través del fondo de la mortajadora. Enrósquelo a la base y apriételo seguramente.
9. Atornillar el tornillo más bajo de la ensambladura y reinstalar el cilindro hidráulico según lo explicado en ARMA-DO DEL CILINDRO HIDRÁULICO.

## ENSAMBLADO DE LA GUÍA

### **⚠ ADVERTENCIA**

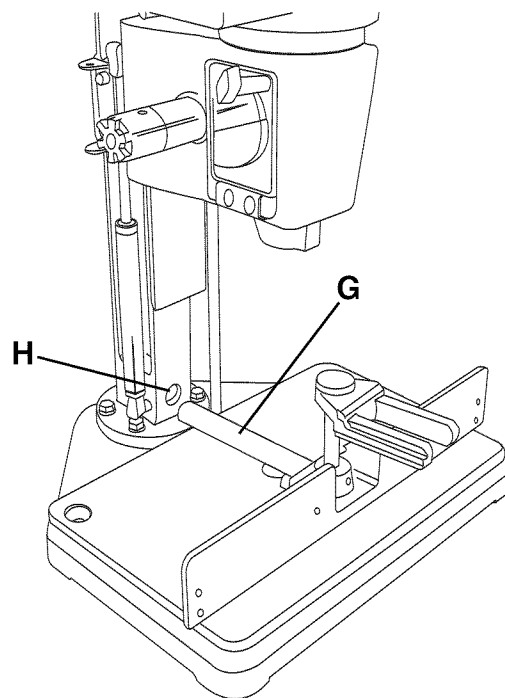
Asegúrese de que la máquina esté desconectada de la fuente de energía.

**Figura 8**



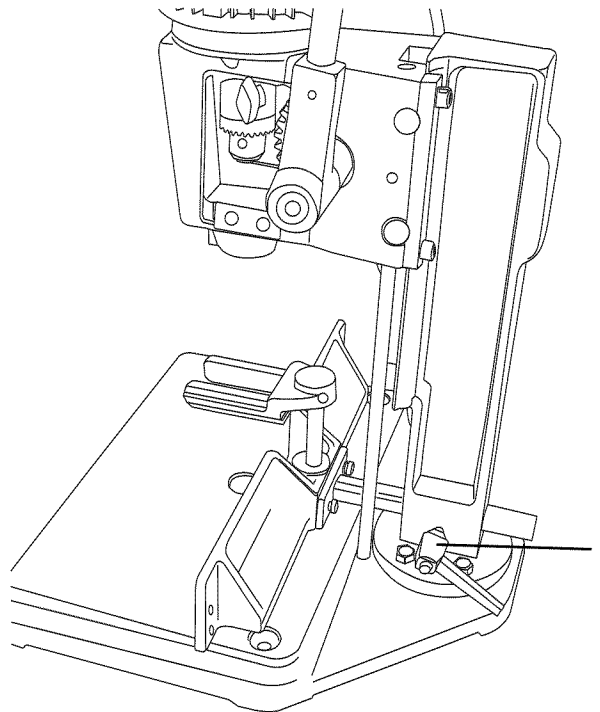
1. Inserte la vara de guía (A) a través del agujero en el retén (B) y apriete el tornillo de fijación (C) utilizando para ello la llave Allen de agarradera en "T" de 4mm suministrada. Ver Figura 8.
2. Inserte la vara de guía en el agujero (D) del ensamblado de guía (E) y apriete el tornillo de fijación (F) utilizando para ello la llave Allen de agarradera en "T" de 4mm suministrada.

**Figura 9**



3. Inserte el eje de deslizamiento de la guía (G) a través del agujero (H) en la columna de la mortajadora. Ver Figura 9.

**Figura 10**



4. Enrosque la agarradera de cierre corta de la guía (I) a la columna de la mortajadora. Apriete para asegurar la guía. Ver Figura 10.

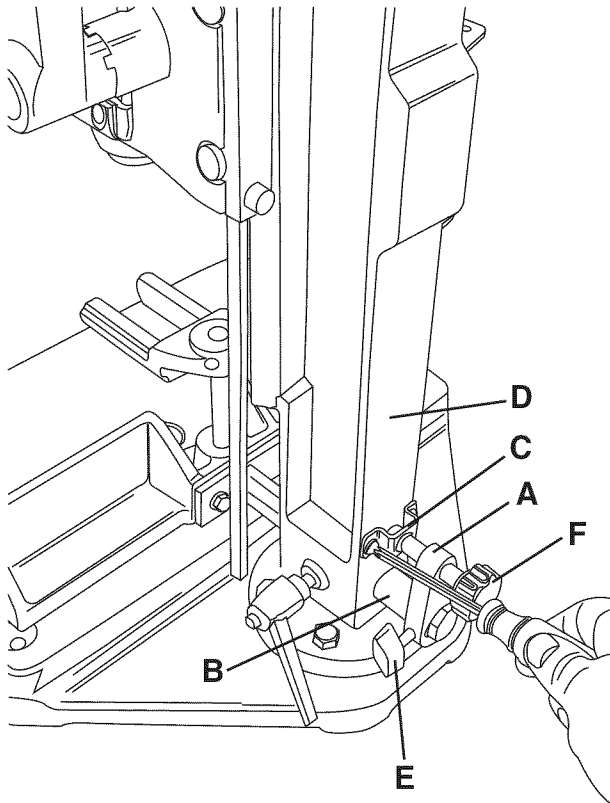
**AVISO:** La agarradera de cierre de la guía está cargada con resorte y puede ser reposicionada tirando de la agarradera y rotándola.

## ENSAMBLADO DE MICROAJUSTE

### **⚠ ADVERTENCIA**

Asegúrese de que la máquina esté desconectada de la fuente de energía.

Figura 11



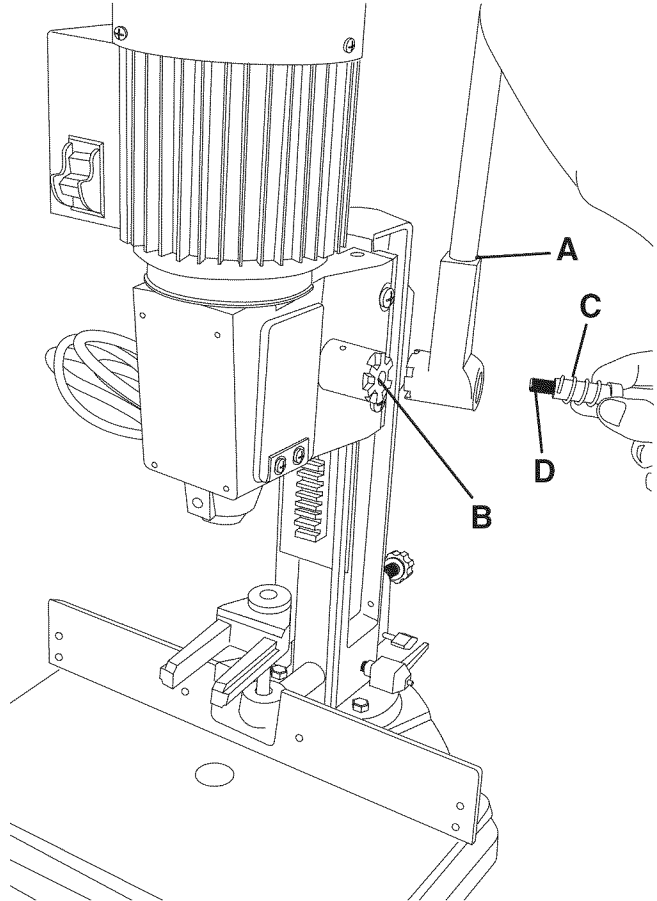
1. Coloque el ensamblado de microajuste (A) sobre el eje de deslizamiento de la guía (B) hasta que la placa de apoyo (C) esté pareja contra la columna (D). Ver la Figura 11.
2. Alinee los dos agujeros en la placa de apoyo con los dos agujeros en la columna de la mortajadora.
3. Afiance la placa de apoyo a la columna utilizando dos tornillos de cabeza troncocónica M4 x 8 mm y dos arandelas planas M4.
4. Apriete la perilla de cierre (E) de manera que el ensamblado de microajuste pueda caer de manera ceñida sobre el eje de deslizamiento de la guía.
5. Gire la perilla de ajuste (F) en sentido horario para mover el ensamblado de la guía hacia la columna de la Mortajadora. Gírela en sentido antihorario para alejar la guía de la Mortajadora.

## PALANCA DE IZADO / BAJADO

### **⚠ ADVERTENCIA**

Asegúrese de que la máquina esté desconectada de la fuente de energía.

Figura 12



1. Alinee las muescas en el cubo de la agarradera (A) con las ranuras en el árbol de engranajes (B). Ver Figura 12.

**AVISO:** La agarradera podrá colocarse a la izquierda o a la derecha, de acuerdo con sus preferencias.

2. Coloque el resorte (C) sobre el perno de saliente (D) e insértelo a través del cubo de la asidera. Apriete con la llave Allen de agarradera en "L" suministrada.

**AVISO:** La agarradera está cargada con resorte. Usted puede reposicionarla extrayéndola y reposicionándola sobre el árbol de engranajes.

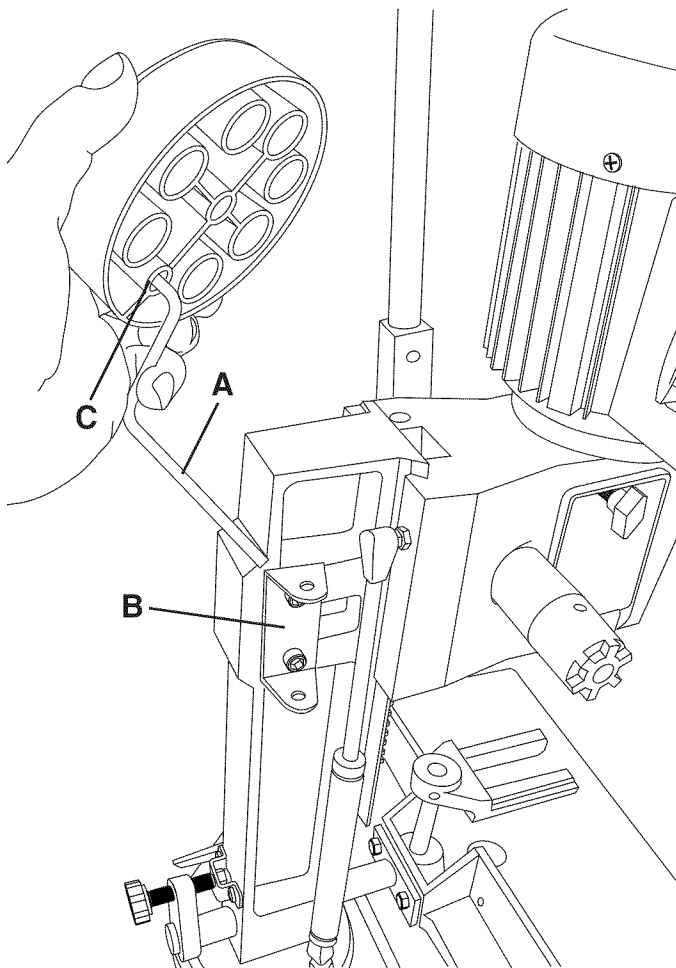


## PORTADOR DE HERRAMIENTAS Y CINCELES

### **⚠ ADVERTENCIA**

Asegúrese de que la máquina esté desconectada de la fuente de energía.

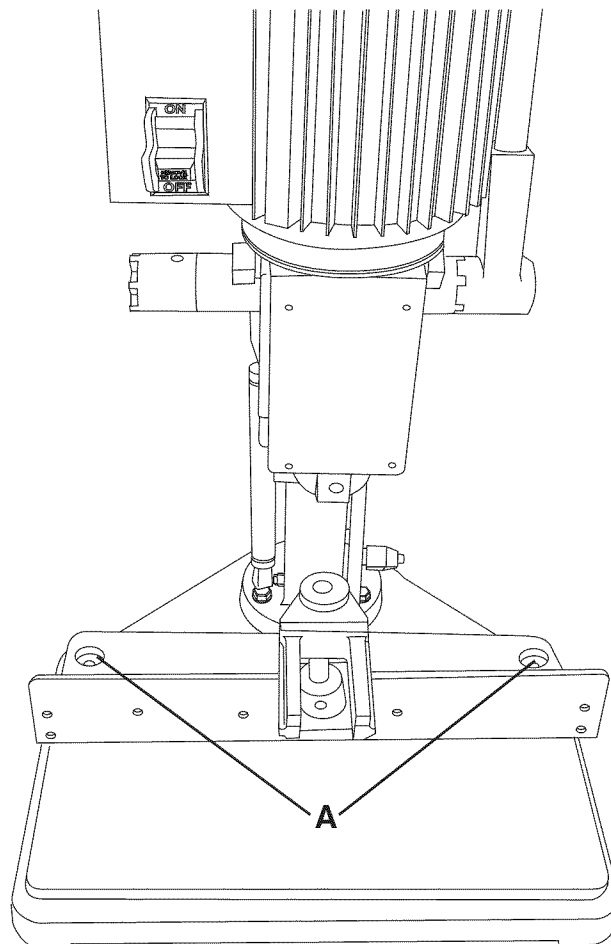
Figura 13



1. Inserte la barra de apoyo (A) dentro del soporte de apoyo (B). Ver Figura 13.
2. Coloque la barra de apoyo a través del agujero (C) del portador de herramientas y cinces.
3. Utilice el portador de herramientas y cinces para almacenar todos los cinces y llaves de mandrino cuando no estén en uso.

## AFIANZANDO LA MÁQUINA A LA SUPERFICIE DE APOYO

Figura 14



Si existe cualquier tendencia por parte de la mortajadora en volcarse, deslizarse o “caminar” sobre la superficie de apoyo durante el funcionamiento, la base debe afianzarse a la superficie de apoyo mediante el uso de afianzadores (no suministrados) a través de los dos agujeros (A) localizados en la base de la mortajadora.

## MONTAJE DEL CINCEL Y LA BROCA

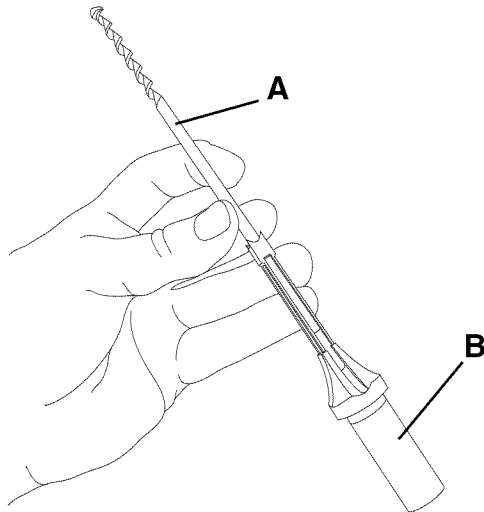
### **⚠ ADVERTENCIA**

Asegúrese de que la máquina esté desconectada de la fuente de energía.

### **⚠ ADVERTENCIA**

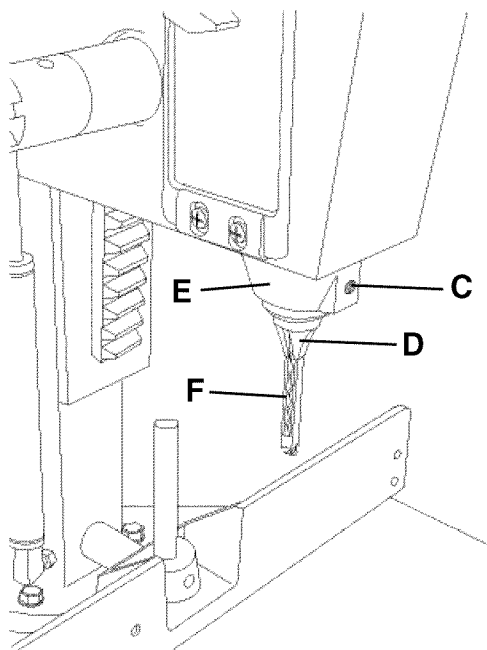
Los cinceles son sumamente filosos y pueden producir cortaduras graves. Tenga gran cuidado con el manejo de los cinceles.

Figura 15



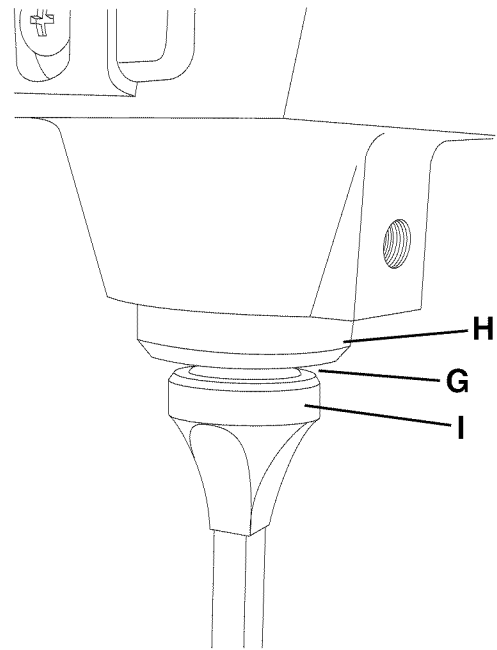
1. Inserte la broca (A) en el cincel (B). Ver la Figura 15.

Figura 16



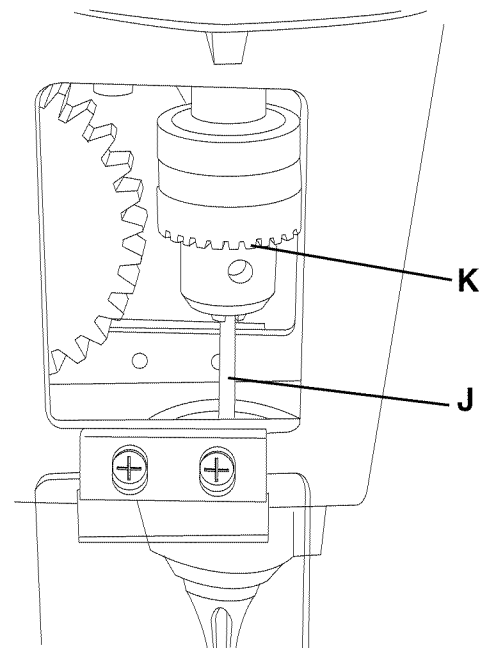
2. Afloje el tornillo de fijación (C) y empuje el cincel (D) hacia arriba a través del agujero en el cabezal (E) lo máximo posible, asegurando que la abertura del cincel (F) apunte hacia la izquierda o derecha. Ver la Figura 16.

Figura 17



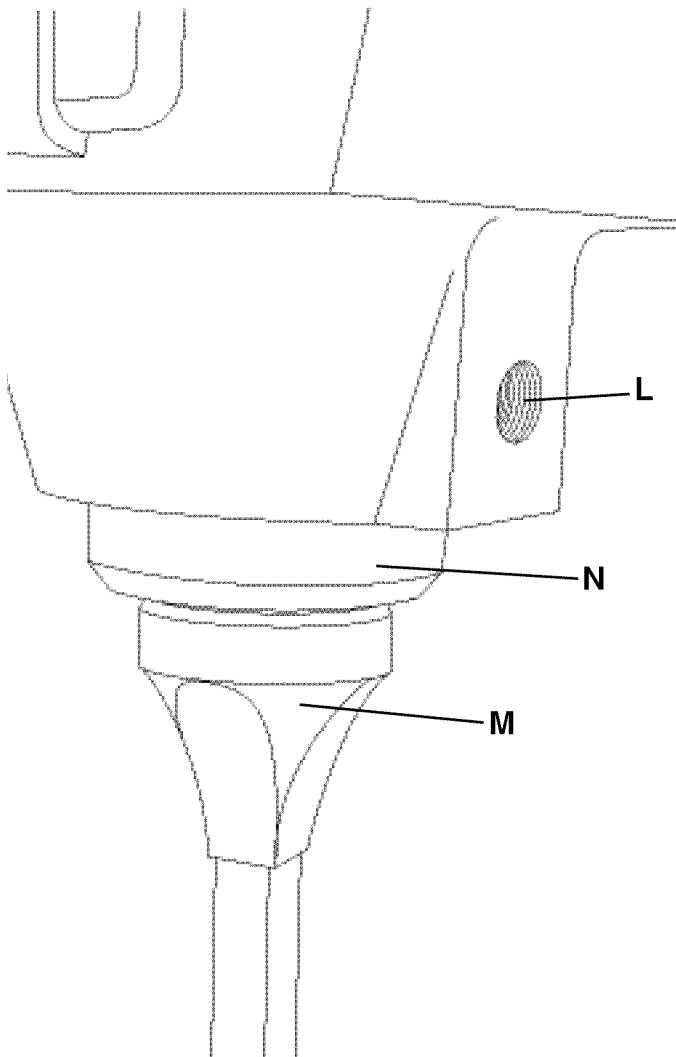
3. Baje el cincel 1/16 a 3/16 pulg. y apriete el tornillo de fijación. Debe haber un espacio libre de 1/16 a 3/16 pulg. (G) entre el buje (H) y el reborde del cincel (I) según se ilustra en la Figura 17. Esto asegura que exista el espacio libre adecuado entre los bordes de corte de la broca y las puntas del cincel después de que se haya insertado la broca en el mandrino.

Figura 18



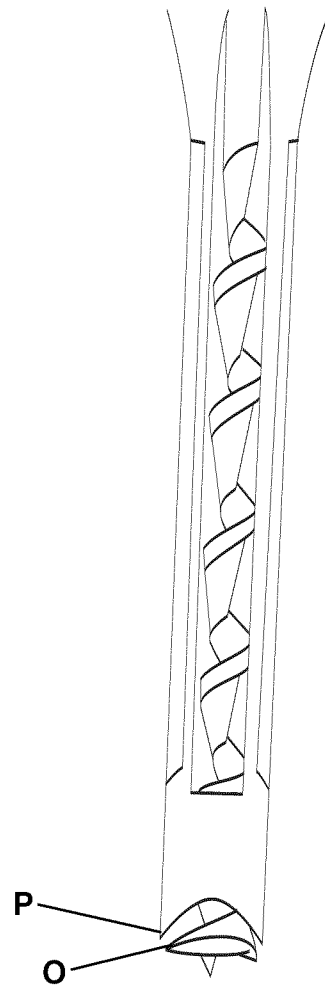
4. Empuje la broca (J) hacia arriba a través del cincel y hacia el interior del mandrino lo máximo posible y encierre la broca al mandrino con la llave de mandrino que se suministra. Ver la Figura 18.

**Figura 19**



5. Afloje el tornillo de fijación (L), empuje el cincel (M) hacia arriba contra el fondo del buje (N) y apriete el tornillo de fijación. Esto debe proporcionar la distancia correcta entre los bordes cortantes de la broca y las puntas del cincel. Ver la Figura 19.

**Figura 20**



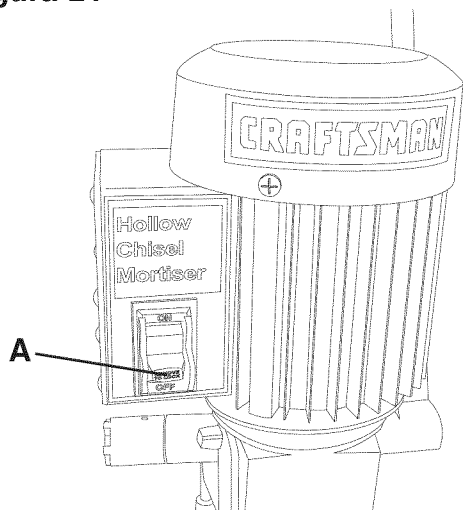
6. La parte plana de la broca (O) debe ajustarse ahora a un mínimo de 1/16 pulg. por debajo del fondo del cincel (P). Ver la Figura 20. Para ciertos tipos de madera podrá ser necesario aumentar esta distancia a un espacio libre máximo de 3/16 pulg.

# OPERACIONES Y AJUSTES

## INTERRUPTOR DE ENCENDIDO-APAGADO

El interruptor está localizado en el costado del motor. Para encender la máquina, conmute el interruptor hacia arriba a la posición de "ON" (encendido). Para apagar la máquina, conmute el interruptor hacia abajo a la posición de "OFF" (apagado).

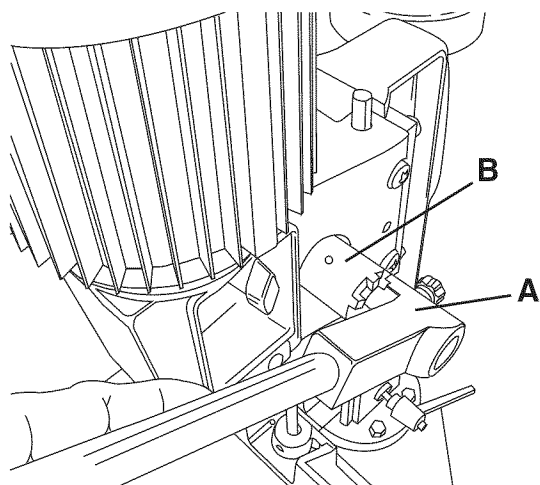
Figura 21



Cuando la herramienta no esté en uso, el interruptor debe enclavarse en la posición de "APAGADO" para impedir el uso desautorizado. Esto puede hacerse tomando la palanca del interruptor (A) y extrayéndola del interruptor en sí. Con la palanca del interruptor fuera de sitio, el interruptor no podrá funcionar. Si se llegase a quitar la palanca mientras que la máquina estuviese en funcionamiento, el interruptor podrá apagarse una sola vez, pero no podrá arrancarse de nuevo sin la inserción de la palanca del interruptor. Ver la Figura 21.

## IZANDO Y BAJANDO EL CABEZAL

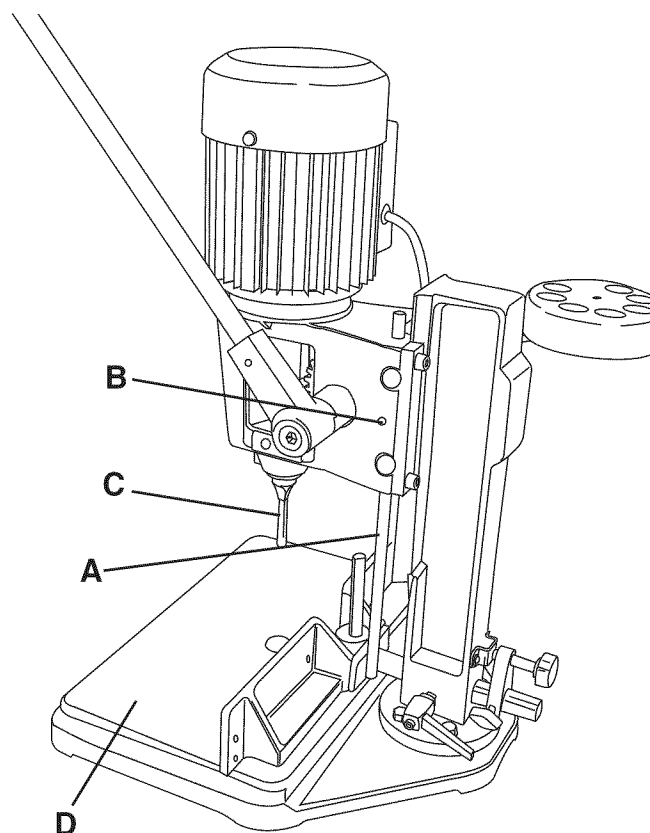
Figura 22



El cabezal se eleva y se baja mediante el uso de la palanca. Para obtener el apalancamiento máximo durante la operación de amortajado, la palanca podrá repositionarse con extraer el cubo (A) del ensamblado de palanca, repositionando el cubo sobre el eje del piñón (B). Ver la Figura 22.

## VARA DEL TOPE DE PROFUNDIDAD

Figura 23

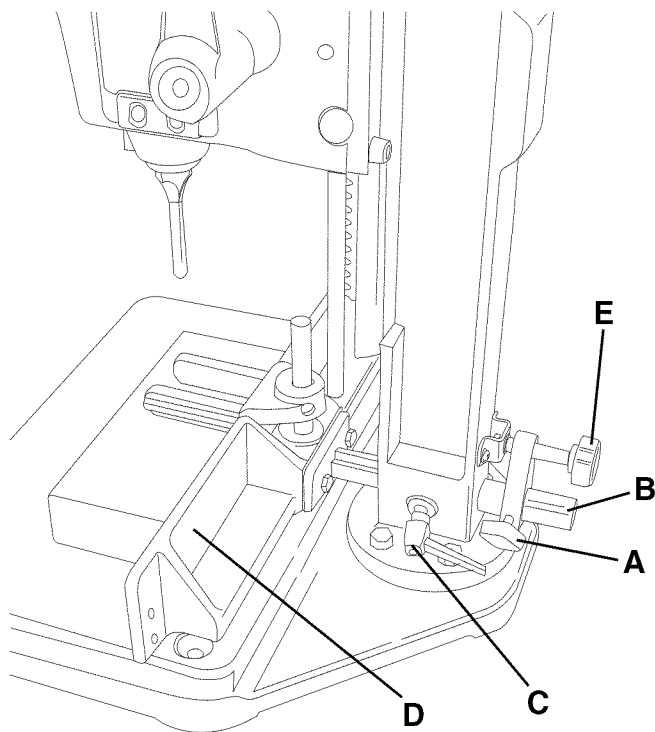


La vara del tope de profundidad se proporciona para limitar la profundidad del cincel. Ver la Figura 23.

1. Para ajustar la vara del tope de profundidad (A), afloje el tornillo de fijación (B) usando la llave Allen con agarradera en "T" de 4 mm suministrada.
2. Baje el cabezal hasta que el cincel (C) se encuentre a la profundidad deseada.
3. Baje la vara del tope de profundidad hasta que haga contacto con la base (D).
4. Apriete el tornillo de fijación.

## GUÍA

Figura 24



La guía puede moverse hacia adentro y hacia afuera para acomodar materiales de distintos tamaños.

1. Para mover la guía, afloje la perilla de cierre (A). Ver la Figura 24.
2. Afloje la agarradera de cierre de la guía (C) hasta que el eje de deslizamiento de la guía (B) pueda deslizarse libremente.
3. Deslice la guía hacia adentro o hacia afuera a la ubicación deseada.
4. Apriete la agarradera de cierre de la guía para encerrar la guía en su sitio.

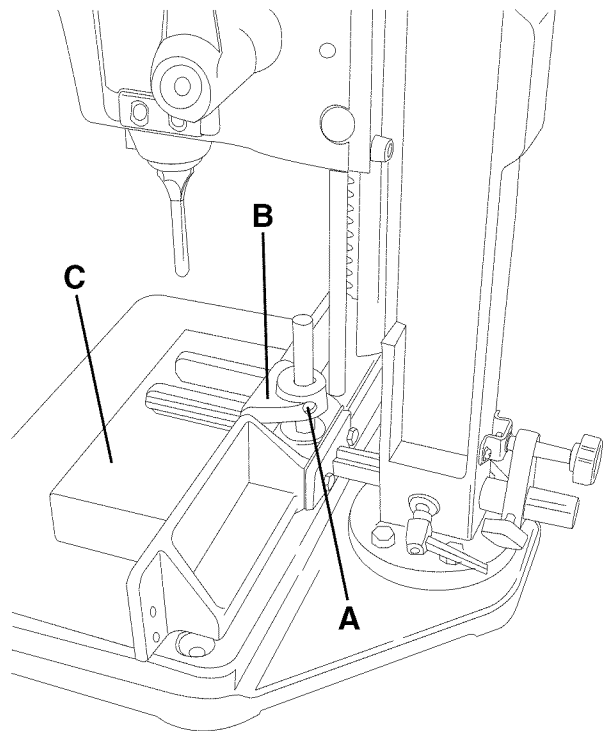
## ENSAMBLADO DE MICROAJUSTE

A veces resulta necesarios mover la guía en incrementos pequeños. Cuando este sea el caso, se debe hacer uso del ensamblado de microajuste.

1. Asegúrese de que la perilla de cierre (A) esté apretada sobre el eje de deslizamiento de la guía (B). Ver la Figura 24.
2. Afloje la agarradera de cierre de la guía (C) para que la guía (D) pueda deslizarse de manera uniforme.
3. Gire la perilla de ajuste (E) en sentido horario para mover la guía adentro hacia la columna de la mortajadora. Gire en sentido antihorario para alejar la guía de la columna de la mortajadora.

## RETÉN

Figura 25



El propósito del retén consiste en prevenir el levantamiento del material justo cuando se eleva el cincel.

1. Para ajustar, afloje el tornillo de fijación (A). Ver la Figura 25.
2. Posicione el retén (B) hasta que tan sólo toque la parte superior del material (C) y permita que el material se deslice hacia la izquierda o la derecha.

**AVISO:** El retén puede colocarse de cabeza para acomodar los materiales más gruesos.

3. Una vez que el retén esté en posición, vuelva a apretar el tornillo de fijación.

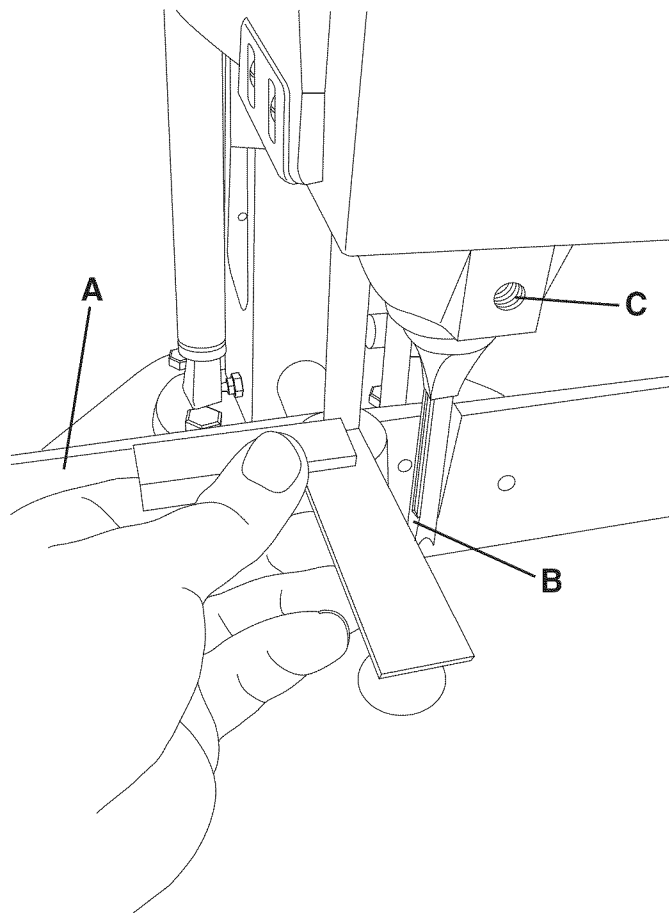
## AJUSTANDO EL CINCEL A ESTAR CUADRADO CON LA GUÍA

Antes de utilizar la mortajadora resulta importante asegurar el encuadre del cincel con la guía.

### **⚠ ADVERTENCIA**

Asegúrese de que la mortajadora esté desconectada de la fuente de energía.

Figura 26

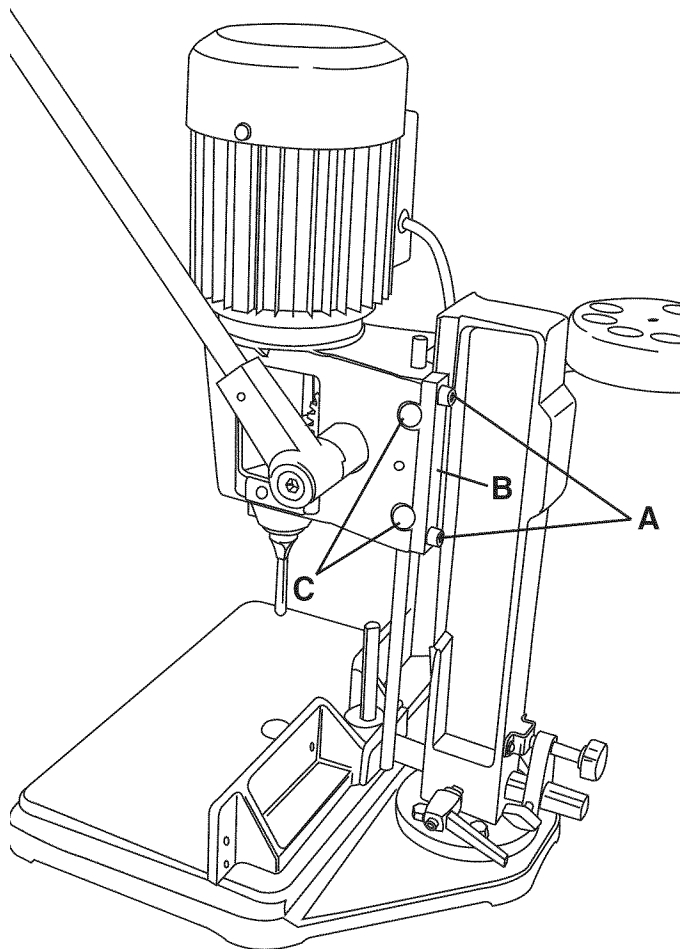


1. Coloque una escuadra contra la cara de la guía (A). Ver la Figura 26.
2. Revise que el lado izquierdo del cincel (B) esté cuadrado con la cara de la guía.
3. Si no está cuadrada, afloje el tornillo de fijación (C) y vuelva a posicionar el cincel hasta que el lado izquierdo del cincel quede plano contra la escuadra.
4. Vuelva a apretar el tornillo de fijación.

## AJUSTE DESLIZANTE ENTRE EL CABEZAL Y LA COLUMNA

Se proporciona una corredera de ajuste en corte de milano en la parte posterior del cabezal para asegurar un buen ajuste deslizante entre el cabezal y la columna cuando el cabezal se vaya a elevar o bajar. Esto debería estar fijado de fábrica y no debe requerir ningún ajuste. De ser necesario el ajuste, realice los siguientes pasos.

Figura 27



1. Afloje los dos tornillos de cabeza Allen (A) en la corredera de ajuste en corte de milano (B) sólo ligeramente (menos de 1/8 de vuelta) usando la llave Allen de 6 mm que se suministra. Ver la Figura 27.
2. Gire los tornillos de ajuste (C) en sentido horario para hacer un ajuste más ceñido; gírelos en sentido antihorario para un ajuste más holgado.

**AVISO:** El ajuste correcto se obtiene cuando se ha conseguido un buen ajuste deslizante ceñido y sin movimiento lateral entre la corredera de ajuste y la columna. Este ajuste no debe ser excesivamente ceñido, ya que restringe el movimiento deslizante, o demasiado holgado, ya que esto afecta la certidumbre.

3. Vuelva a apretar los tornillos de cabeza Allen una vez que se haya obtenido el ajuste correcto.

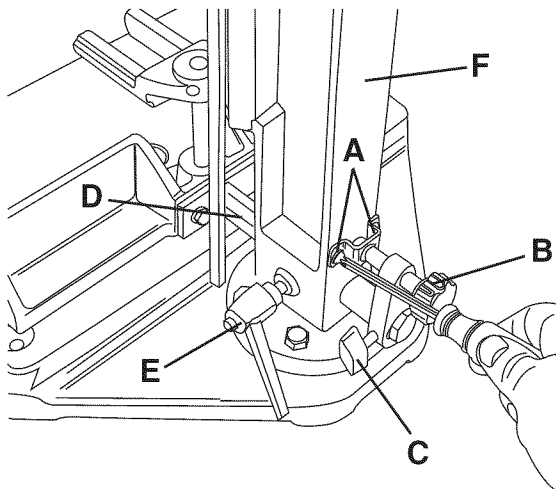
## CONECTANDO LA EXTENSIÓN DE COLUMNA

La columna puede extenderse con el fin de amortajar los materiales más altos.

### **⚠ ADVERTENCIA**

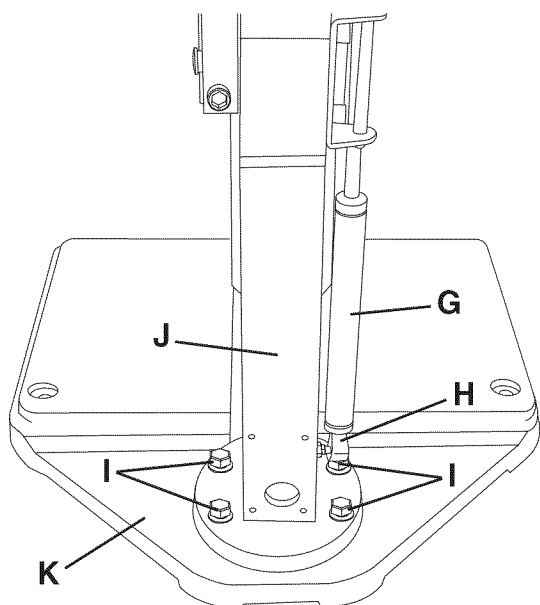
Asegúrese de que la máquina esté desconectada de la fuente de energía.

**Figura 28**



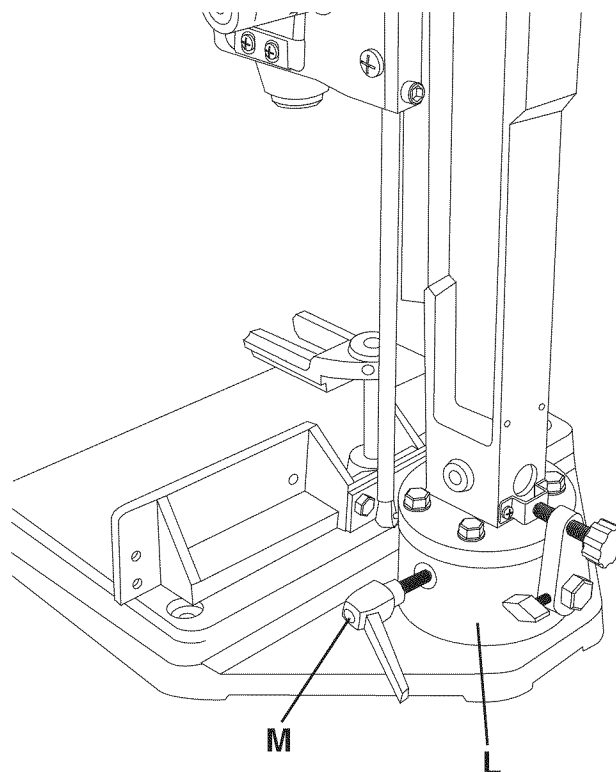
1. Quite los 2 tornillos de cabeza troncocónica M4 x 8 mm (A) que afianzan el ensamblado de microajuste (B). Ver la Figura 28.
2. Afloje la perilla de cierre (C) y quite el ensamblado de microajuste del eje de deslizamiento de la guía (D).
3. Quite la agarradera de cierre corta de la guía (E).
4. Deslice el eje de deslizamiento de la guía completamente fuera de la columna de la mortajadora (F).

**Figura 29**



5. Encajar a presión el cilindro hidráulico (G) y quitar el tornillo más bajo de la ensambladura (H). Véase el cuadro 29.
6. Quite los 4 tornillos de cabeza hexagonal M8 x 30 mm (I) y quite la columna de la mortajadora (J) de la base (K).
7. Quite las 4 arandelas de cierre M8 y 4 arandelas planas M8 de los 4 tornillos de cabeza hexagonal M8 x 30 mm y colóquelos sobre los 4 tornillos de cabeza hexagonal M8 x 80 mm.

**Figura 30**

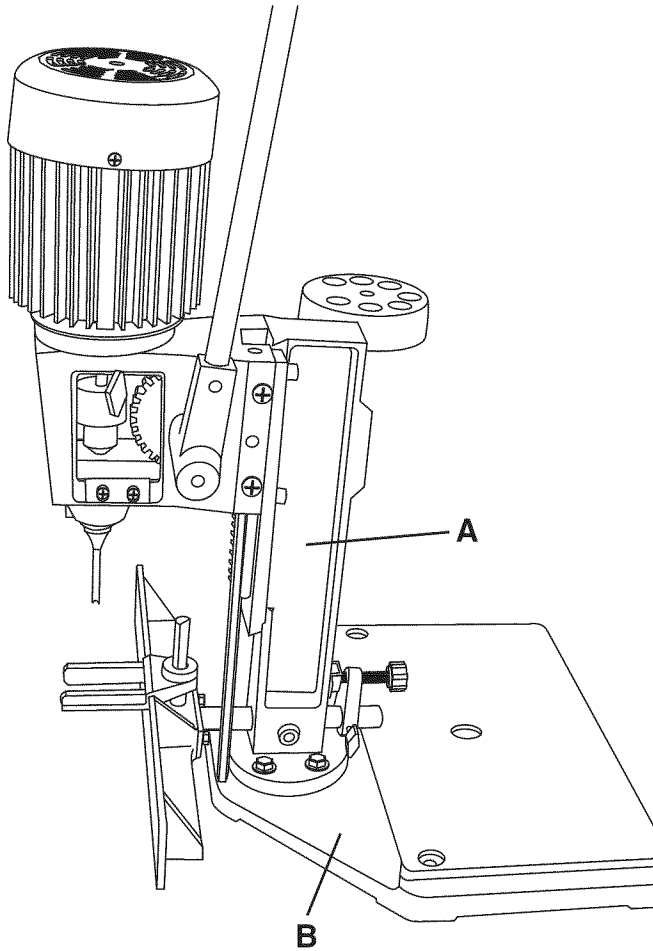


8. Alinee los agujeros en el bloque separador (L) con los agujeros en la base. Ver la Figura 30.
9. Coloque la columna de la mortajadora sobre el bloque separador y afiáncela a la base utilizando los 4 tornillos de cabeza hexagonal M8 x 80 mm, 4 arandelas de cierre M8 y 4 arandelas planas M8.
10. Reinstalar el tornillo más bajo de la ensambladura y reinstalar el cilindro hidráulico.
11. Enrosque la agarradera de cierre larga de la guía (M) en el bloque separador.
12. Coloque el ensamblado de microajuste sobre el eje de deslizamiento de la guía y afiance la columna de la mortajadora utilizando los 2 tornillos de cabeza troncocónica M4 x 8 mm y 2 arandelas planas M4.

## GIRANDO LA COLUMNA A 180 GRADOS

A veces un material puede ser excesivamente grande para caber entre la base y el cincel. Si se produce este caso, usted puede girar la columna de la mortajadora a 180 grados, conforme a lo ilustrado, para realizar la labor sobre un banquillo o sobre el suelo.

Figura 31



### **⚠ ADVERTENCIA**

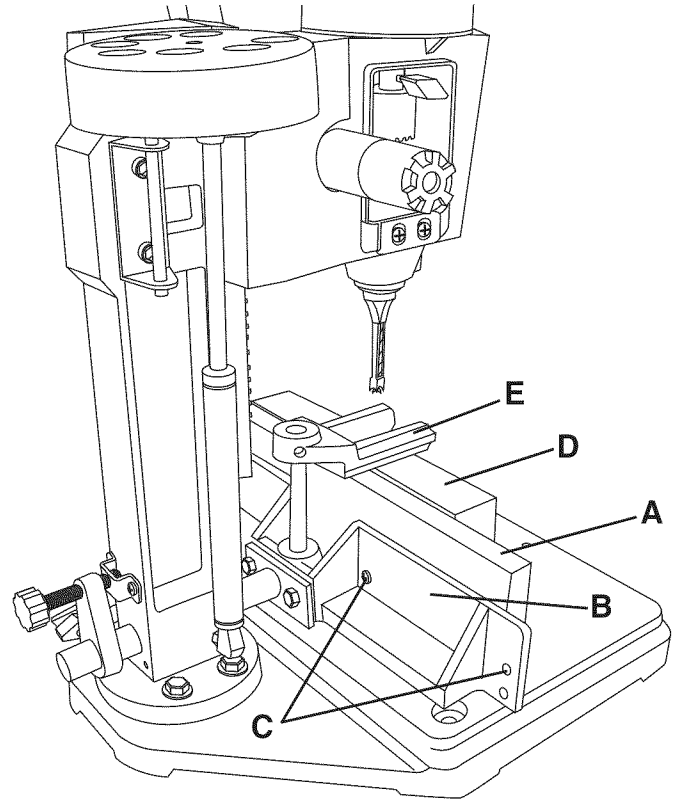
Cuando vaya a girar la columna a 180 grados, debe afianzar la máquina a una superficie de apoyo. Ver **AFIANZANDO LA MAQUINA A LA SUPERFICIE DE APOYO**.

1. Para girar la columna, quite los cuatro tornillos de cabeza hexagonal M8 x 30 mm que empernan la columna de la mortajadora (A) a la base (B). Ver la Figura 31.
2. Gire la columna a 180 grados.
3. Reponga los cuatro tornillos de cabeza hexagonal M8 x 30 mm.

## UTILIZANDO UNA GUÍA AUXILIAR DE MADERA

Cuando vaya a amortajar un material extremadamente alto, se puede afianzar una guía auxiliar a la guía usando tornillos de madera (no suministrados) a través de los agujeros de la guía. Esto ofrece apoyo adicional para el material durante la operación de amortajado.

Figura 32



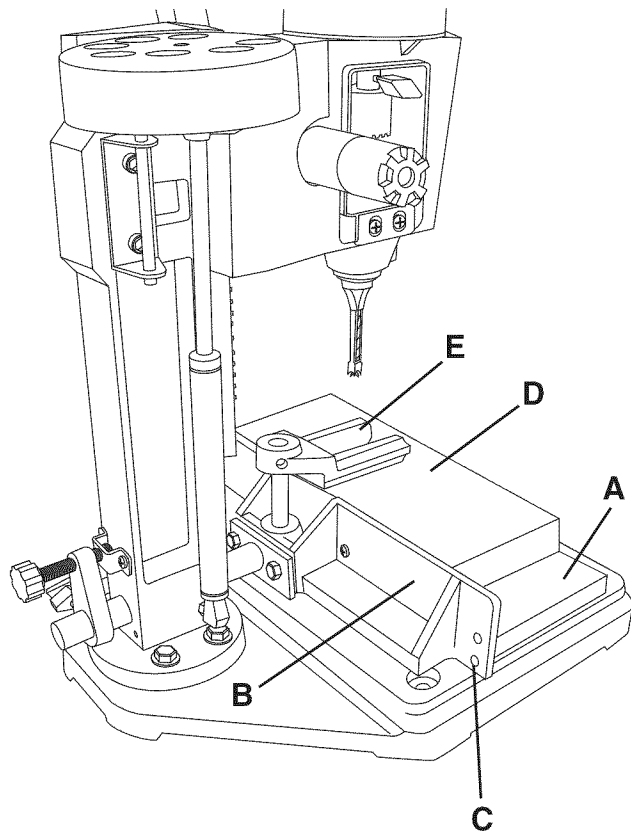
1. Para conectar una guía auxiliar de madera, coloque la guía auxiliar (A) contra la cara de la guía principal (B). Ver la Figura 32.
2. Afiance la guía auxiliar a la guía principal a través de los agujeros (C) en la guía principal usando tornillos de madera (no suministrados).
3. Coloque el material (D) contra la guía auxiliar y afiáncele mediante el uso del retén (E).



## USANDO UNA TABLA SACRIFICATORIA

Cuando vaya a realizar un amortajado de paso, resulta práctico hacer uso de una tabla sacrificial para impedir cualquier astillamiento en el fondo de la mortaja.

Figura 33



1. Para conectar una tabla sacrificial, coloque la tabla sacrificial (A) contra la cara de la guía (B). Ver la Figura 33.
2. Conecte la tabla sacrificial a la guía mediante el uso de tornillos de madera (no suministrados) a través de los agujeros de la guía (C).
3. Coloque el material (D) sobre la tabla sacrificial y contra la guía.
4. Afiance el material usando el retén (E).

## USANDO BROCAS CON ESPIGAS EXTRALARGAS

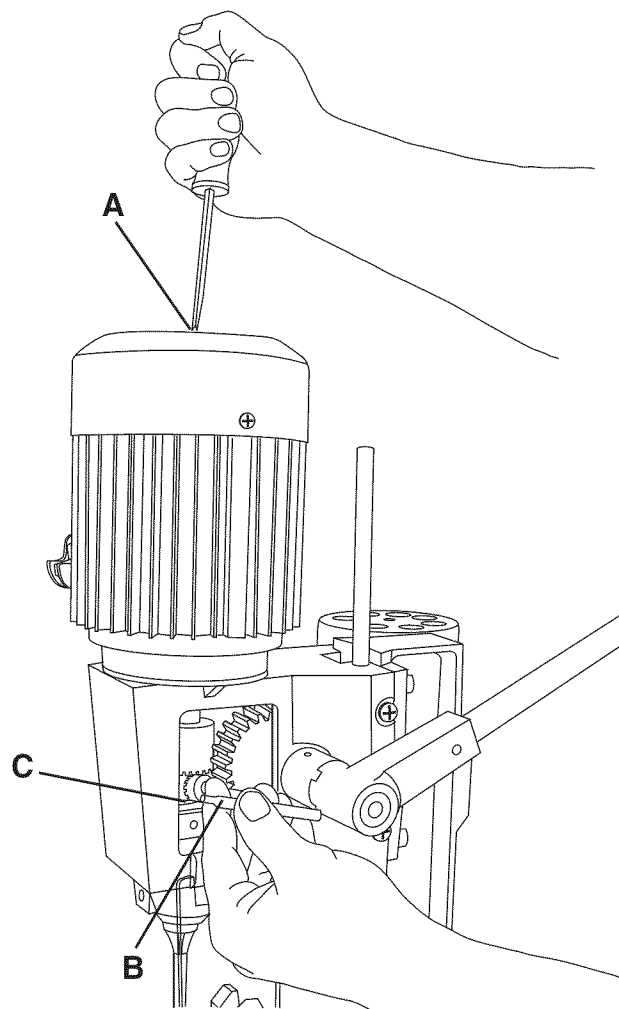
Cuando vaya a hacer uso de brocas con espigas extralargas, será necesario quitar la extensión.

### ⚠ ADVERTENCIA

Asegúrese de que la mortajadora esté desconectada de la fuente de energía. Retire la broca de amortajado.

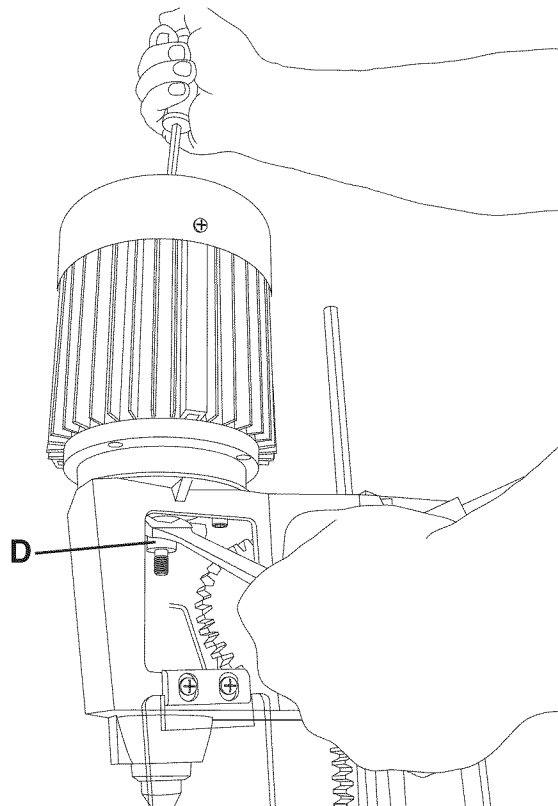
1. Retire la broca de amortajado.

Figura 34



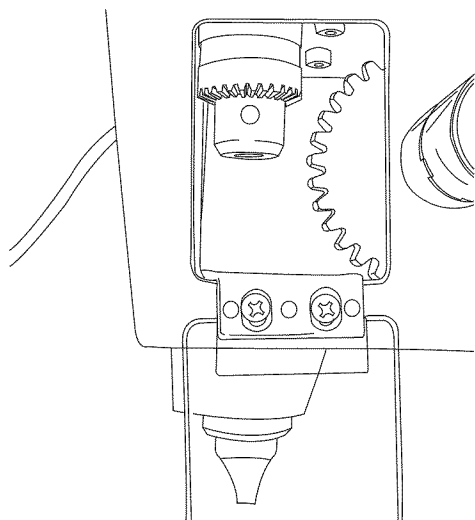
2. Inserte un destornillador de punta plana dentro del agujero central (A) de la tapa de extremo del motor. Ver la Figura 34.
3. Inserte la llave del mandrino (B) dentro del mandrino (C) y gire el destornillador en sentido antihorario hasta aflojar el mandrino de la extensión.

Figura 35



4. Para quitar la extensión (D), coloque una llave de boca de 16 mm (no suministrada) sobre las partes planas de la extensión. Ver la Figura 35.
5. Inserte un destornillador de punta plana en el agujero central de la tapa de extremo del motor.
6. Gire la llave en sentido horario para aflojar la extensión del eje del motor.
7. Destornille la extensión del eje del motor y quítela.

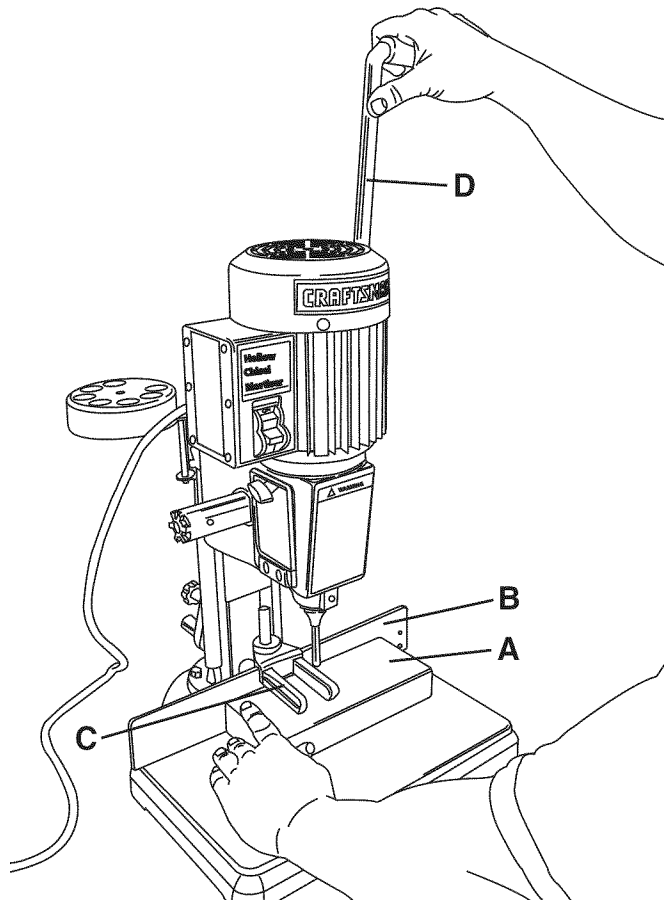
Figura 36



8. Enrosque el mandrino al eje del motor y apriételo. Ver la Figura 36.

## OPERANDO LA MORTAJADORA

Figura 37

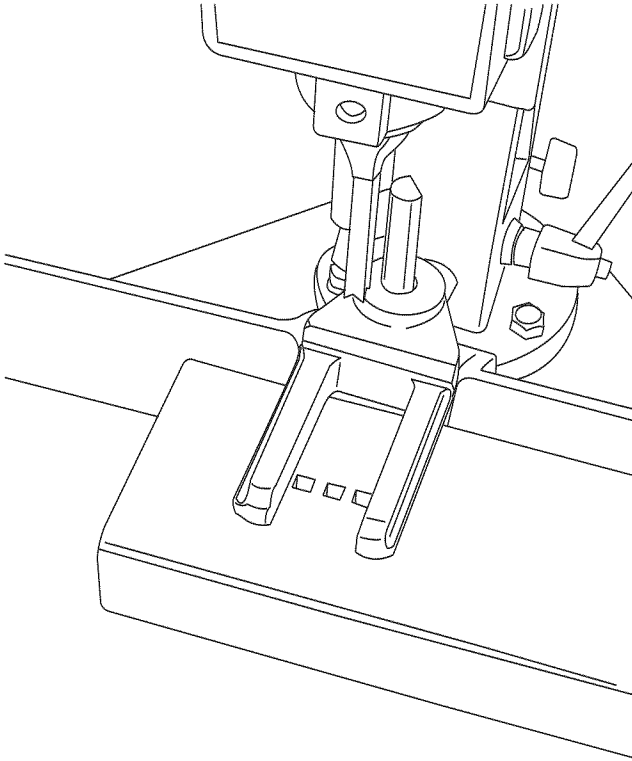


1. Asegúrese de que el material (A) esté siendo sujetado con firmeza contra la guía (B) durante el corte y que el retén (C) esté correctamente ajustado. Ver la Figura 37.
2. Utilizando la agarradera de izado / bajado (D), baje el cincel hasta que penetre el material.

**AVISO:** La tasa de penetración del cincel debe ser lo suficientemente rápida como para impedir el quemado de la punta de la broca, pero no tan rápido como para atascar el motor.

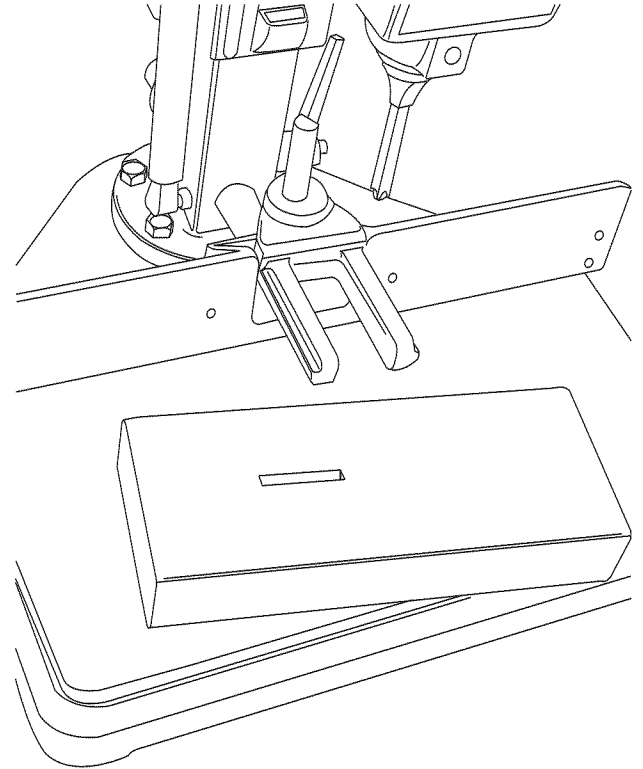
**AVISO:** Podrá percibir humo proveniente de la broca o del material una vez que el cincel se haya engranado al material. El humo creado es un evento normal de funcionamiento en el amotajado con cincel hueco y es producto de la fricción de astillas del material y el quemado de las resinas del material.

**Figura 38**



3. Cuando vaya a realizar la próxima penetración, deje un espacio libre entre el primer agujero y el segundo. Ver la Figura 38.

**Figura 39**



4. Una vez que haya obtenido la extensión de amortajado deseada, vuelva y cincele los espacios restantes. Esto garantizará un amortajado uniforme y limpio. Ver la Figura 39.

**AVISO:** El azulado del cincel no es señal de un cincel roto, sino de una combinación de la acumulación de fricción y la acumulación de resinas en las caras cortantes del cincel. Un cincel roto puede detectarse por la cantidad de fuerza excesiva necesaria para completar un corte.

# MANTENIMIENTO

Las reparaciones a esta herramienta mecánica sólo deben ser realizadas por personal capacitado. Comuníquese con su Centro de Servicio Sears más cercano para recibir servicio autorizado. Las reparaciones desautorizadas o el recambio con piezas que no sean de fábrica pueden producir heridas graves al operario y daño a su máquina.

## ADVERTENCIA

Para prevenir las heridas a sí mismo o el daño a su máquina, gire el interruptor a la posición de "APAGADO" y desenchufe el cordón de energía del tomacorrientes antes de realizar cualquier ajuste.

## ADVERTENCIA

La Mortajadora funcionará mejor si se le mantiene en condiciones óptimas de funcionamiento. Mantenga la unidad ajustada según lo descrito en OPERACIONES Y AJUSTES.

- APAGUE el interruptor de energía y desenchufe el cordón de energía del tomacorrientes.
- No permita que la goma y la resina se acumulen sobre la herramienta cortante.
- No permita que las astillas se acumulen sobre la máquina o alrededor de ella.
- Mantenga los cinceles y las brocas afiladas. Se recomienda tener a mano un juego extra de cinceles y brocas. Los cinceles y las brocas de recambio están disponibles en Sears.

**PRECAUCIÓN: NO UTILICE MATERIALES COMBUSTIBLES** para limpiar esta máquina. Sólo se necesita un paño seco o un cepillo para quitar la acumulación de polvo y de escombros.

## PROTEGIENDO LA MESA DE HIERRO MOLDEADO CONTRA LA OXIDACIÓN

### ADVERTENCIA

**ASEGÚRESE** de APAGAR la energía y desenchufar el cordón de energía de su fuente de suministro.

El entorno y la frecuencia del contacto humano podrán tener un impacto sumamente nocivo sobre las superficies de hierro sin pintar. La humedad y las grasas (¡provenientes de manos humanas!) pueden causar el deterioro o la oxidación de las superficies de hierro moldeado sin pintar, así que resulta importante realizar mantenimiento rutinario para conservar su mortajadora como si fuese nueva. Se recomienda la limpieza y el encerado de las superficies de hierro moldeado en la siguiente manera:

Para limpiar y mantener las superficies de hierro moldeado sin pintar:

- Aplique una capa gruesa de WD-40 sobre la superficie de hierro moldeado sin pintar.
- Use lana de acero fina para pulir el hierro moldeado sin pintar. Asegúrese de pulir en sentido "adelante hacia atrás" solamente. Un movimiento de pulido de lado a lado podrá percibirse como una imperfección, defecto o rayaduras sobre el hierro moldeado fino.
- Vuelva a aplicar WD-40 y pule las superficies de hierro moldeado sin pintar hasta que haya quitado la mancha. Asegúrese de usar el mismo movimiento de pulido "adelante hacia atrás" para evitar rayar o desmejorar la superficie de hierro moldeado.
- Después de haber quitado todas las manchas y/u oxidación, limpie todo el aceite y suciedad de la mesa con un paño o trapo suave.
- Por último, debe aplicar una cera automotriz en pasta de buena calidad para proteger todas las superficies de hierro moldeado sin pintar. Esto ayudará a proteger la herramienta contra la oxidación debido al contacto posterior con la humedad o manos grasosas.

## LUBRICACIÓN

La Mortajadora tiene cojinetes lubricados y sellados en el alojamiento del motor que no requieren lubricación adicional de parte del operario.

- Los escombros deben quitarse de la guía y de los tornillos de elevación, que deben ser engrasados según sea necesario.
- Aplique ocasionalmente algunas gotas de aceite liviano para maquinaria sobre las chavetas para mantener las mesas libres en relación con la base.

# GUÍA DE LOCALIZACIÓN DE AVERÍAS

**PARA EVITAR HERIRSE A SÍ MISMO** o causar daño a la mortajadora, conmute el interruptor a la posición de apagado (OFF) y desenchufe el cordón de energía del tomacorrientes antes de realizar cualquier ajuste.

PROBLEMA	CAUSA(S) POSIBLES	SOLUCIÓN
<b>Motor no arranca o no alcanza velocidad plena.</b>	<ol style="list-style-type: none"> <li>1. Llave del interruptor fuera de su sitio.</li> <li>2. Interruptor defectuoso</li> <li>3. Capacitador defectuoso</li> <li>4. Baja tensión de línea</li> <li>5. Motor defectuoso</li> </ol>	<ol style="list-style-type: none"> <li>1. Inserte la llave del interruptor.</li> <li>2. Mande a reponer el interruptor.</li> <li>3. Mande a reponer el capacitador.</li> <li>4. Corrija la condición de baja tensión de línea. Si la máquina está enchufada a una extensión eléctrica, desconéctela y enchúfela directamente al tomacorrientes.</li> <li>5. Mande a recambiar el motor. <b>AVISO:</b> 3 y 4 deben ser realizados por un técnico de servicio competente; consulte con el servicio de Sears.</li> </ol>
<b>Motor se ahoga o los disyuntores de circuito se disparan con frecuencia</b>	<ol style="list-style-type: none"> <li>1. Sobrecarga del circuito</li> <li>2. Baja tensión de línea</li> <li>3. Sobrecarga del motor</li> <li>4. Fusibles incorrectos en los disyuntores de circuito</li> <li>5. Cortocircuito del motor; conexiones sueltas o aislamiento desgastado en los avances</li> </ol>	<ol style="list-style-type: none"> <li>1. Reduzca la carga del circuito (apague otros aparatos).</li> <li>2. Corrija la condición de baja tensión de línea. Revise la tensión de línea con un multímetro. Si la mortajadora está conectada a una extensión eléctrica, desenchufe la mortajadora del cordón de extensión y enchufe la mortajadora directamente a un tomacorrientes.</li> <li>3. Reduzca la carga al motor; reduzca el ritmo de alimentación.</li> <li>4. Haga que un electricista competente instale los fusibles correctos al disyuntor</li> <li>5. Inspeccione las terminaciones del motor por si existe aislamiento dañado y alambres cortocircuitados y haga que sean reemplazados. Revise todas las conexiones de avances de energía.</li> </ol>
<b>El motor se recalienta</b>	<ol style="list-style-type: none"> <li>1. Restricción en la circulación del aire debido a la acumulación de polvo.</li> <li>2. Sobrecarga del motor</li> </ol>	<ol style="list-style-type: none"> <li>1. Limpie el polvo y restaure la circulación normal del aire en torno al motor.</li> <li>2. Reduzca la carga al motor; reduzca el ritmo de alimentación.</li> </ol>
<b>La broca se atasca o se resbala</b>	<ol style="list-style-type: none"> <li>1. La broca no está afianzada de manera segura dentro del mandrino.</li> </ol>	<ol style="list-style-type: none"> <li>1. Instale la broca correctamente. Ver MONTAJE DEL CINCEL Y LA BROCA en INSTRUCCIONES DE MONTAJE.</li> </ol>
<b>La broca o el material despiden humo o arden</b>	<ol style="list-style-type: none"> <li>1. Velocidad incorrecta del huso.</li> <li>2. Astillas no están siendo expulsadas por el agujero de perforación.</li> <li>3. Broca roma.</li> </ol>	<ol style="list-style-type: none"> <li>1. Reduzca la velocidad del huso. Vea el diagrama de velocidades en el fondo de la cubierta de la correa.</li> <li>2. Retracte la broca frecuentemente durante la operación de perforación para expulsar astillas del agujero.</li> <li>3. Reponga o afile la broca.</li> </ol>
<b>Exceso de deriva o bamboleo por parte de la broca</b>	<ol style="list-style-type: none"> <li>1. Broca torcida.</li> <li>2. Broca incorrectamente instalada al mandrino.</li> </ol>	<ol style="list-style-type: none"> <li>1. Repóngala con una broca recta o nueva.</li> <li>2. Instale la broca correctamente. Ver MONTAJE DEL CINCEL Y LA BROCA en INSTRUCCIONES DE MONTAJE.</li> </ol>

# PIEZAS

MORTAJADORA DE CINCEL HUECO

NO. DE MODELO 351.219071

## ⚠️ ADVERTENCIA

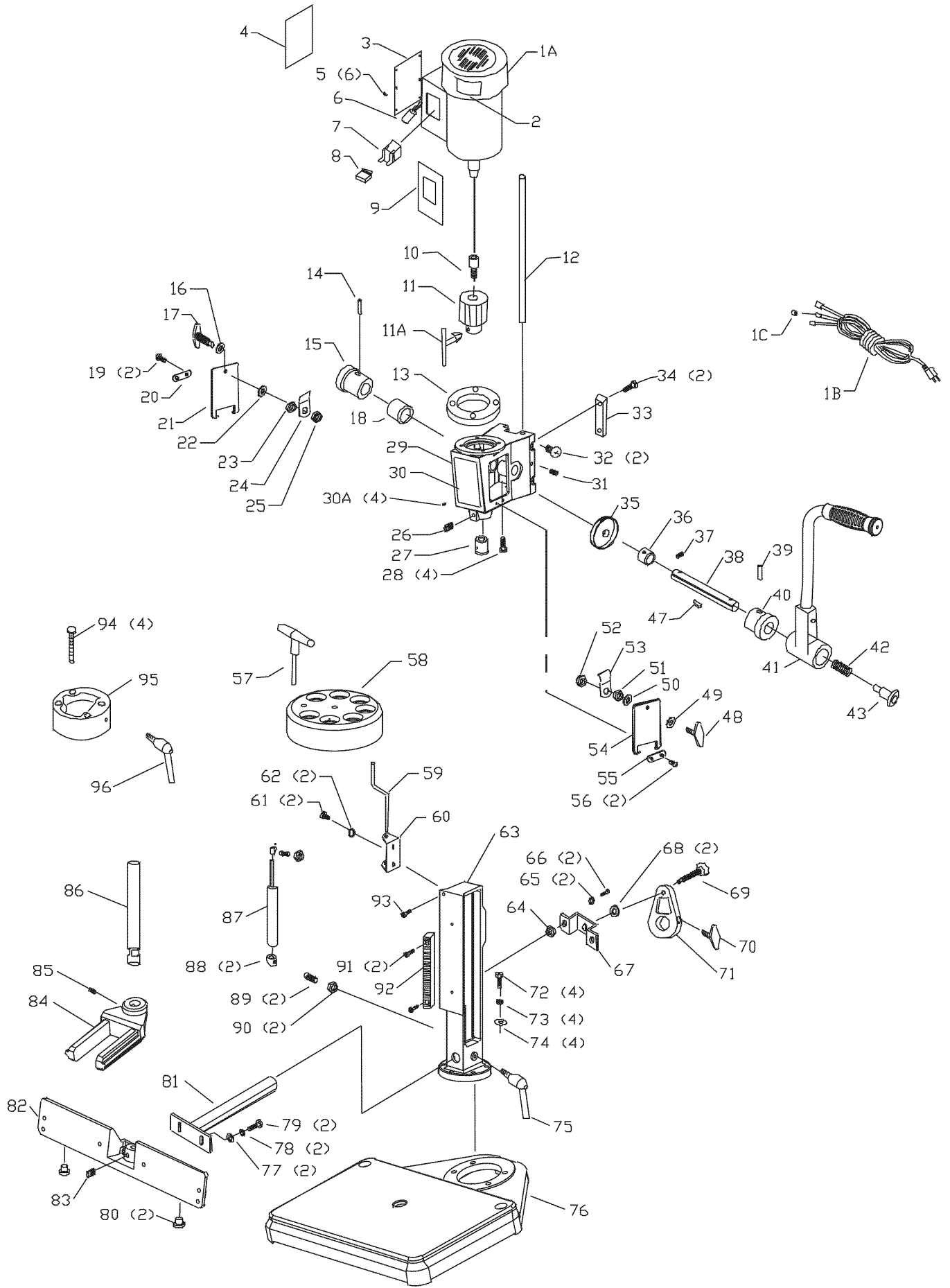
Cuando vaya a rendir servicio, sólo utilice piezas de recambio CRAFTSMAN. El uso de cualquier otro tipo de piezas podrá crear un **PELIGRO** o producir daño al producto.

## ⚠️ ADVERTENCIA

Cualquier intento por reparar o reemplazar las piezas eléctricas en esta Mortajadora podrá crear un **PELIGRO** a menos que la reparación sea efectuada por un técnico de servicio competente. El servicio de reparación está disponible en su Centro de Servicio Sears más cercano.

Encargue siempre por NÚMERO DE PIEZA y no por número de clave.

No. de No. de Clave	No. de Pieza	Descripción	Cant.	No. de No. de Clave	No. de Pieza	Descripción	Cant.
1	OR93300	ENSAMBLADO PRINCIPAL DEL MOTOR (INCL. 1A, 1B, 1C, 2, 3, 4, 5, 6, 7, 8, 9)	1	56	OR90507	TORNILLO DE CAB. TRONCOCÓNICA M5 X 8 MM	2
1A	OR93301	ENSAMBLADO DEL MOTOR, INCL: 1/2 HP, 120 V, 6 A, 120 RPM	1	57	OR93330	LLAVE DE AGARRADERA EN "T"	1
1B	OR93354	CORDÓN DE ENERGÍA	1	58	OR93331	PORTADOR DE CINCEL	1
1C	OR93353	DESCARGA DE TENSIÓN	1	59	OR93332	BARRA DE APOYO	1
2	OR93761	PLACA DE CRAFTSMAN	1	60	OR93333	ABRAZADERA DE SOPORTE	1
3	OR93302	CUBIERTA DE LA CAJA DE INTERRUPTORES	1	61	OR93372	TORNILLO DE CAB. HUECA HEX. M6 X 12 MM	2
4	OR93763	ETIQUETA DE ESPECIFICACIONES	1	62	STD852006	ARANDELA DE CIERRE M6	2
5	OR93383	TORNILLO AUTOROSCADOR DE CABEZA TRONCOCÓNICA 2.9 X 12 MM	6	63	OR93334	COLUMNA	1
6	OR93303	CAPACITADOR 16 UF	1	64	OR93370	TUERCA NYLOK M6	1
7	OR93304	INTERRUPTOR	1	65	STD851004	ARANDELA PLANA M4	2
8	OR93305	LLAVE DEL INTERRUPTOR	1	66	OR90346	TORNILLO DE CAB. TRONCOCÓNICA M4 X 8 MM	2
9	OR93762	PLACA DE NOTACIONES	1	67	OR93335	PLACA DE APOYO	1
10	OR93306	ADAPTADOR	1	68	STD851006	ARANDELA PLANA M6	2
11	OR93307	MANDRINO	1	69	OR93336	PERILLA DE AJUSTE	1
11A	OR93352	LLAVE DEL MANDRINO	1	70	OR93337	PERILLA DE CIERRE	1
12	OR93308	VARA DEL TOPE DE PROFUNDIDAD	1	71	OR93338	ABRAZADERA DE AJUSTE	1
13	OR93309	SEPARADOR DEL MOTOR	1	72	STD835030	TORNILLO DE CAB. HEX M8 X 30 MM	4
14	OR93376	PASADOR DE RESORTE M6 X 30 MM	1	73	STD852008	ARANDELA DE CIERRE M8	4
15	OR93310	JUNTA DEL ARBOL DE ENGRANAJES	1	74	STD851008	ARANDELA PLANA M8	4
16	OR93311	ARANDELA DE PLÁSTICO	1	75	OR93339	ENSAMBLADO DE AGARRADERA (CORTO)	1
17	OR93312	PERILLA DE CIERRE	1	76	OR93340	BASE	1
18	OR93313	SEPARADOR	1	77	STD851006	ARANDELA PLANA M6	2
19	OR90507	TORNILLO DE CAB. TRONCOCÓNICA M5 X 8 MM	2	78	STD852006	ARANDELA DE CIERRE M6	2
20	OR93314	BISAGRA	1	79	OR93374	TORNILLO DE CAB. HUECA HEX M6 X 20 MM	2
21	OR93315	CUBIERTA	1	80	OR93341	ALMOHADILLA DE DESLIZAMIENTO DE GUÍA	2
22	OR93311	ARANDELA PLÁSTICA	1	81	OR93342	ENSAMBLADO DE DESLIZAMIENTO DE GUÍA	1
23	STD840610	TUERCA HEXAGONAL M6	1	82	OR93343	GUÍA	1
24	OR93316	PLACA DE CIERRE	1	83	OR93378	TORNILLO DE FIJACIÓN CAB. HUECA HEX. M8 X 10 MM	1
25	OR93370	TUERCA NYLOK M6	1	84	OR93344	RETÉN	1
26	OR91821	TORNILLO DE FIJACIÓN CAB. HUECA HEX. M8 X 20 MM	1	85	OR93378	TORNILLO DE FIJACIÓN CAB. HUECA HEX. M8 X 10 MM	1
27	OR93317	BUJE	1	86	OR93345	VARA DE GUÍA	1
28	OR93377	TORNILLO DE CAB. HUECA HEX M6 X 45 MM	4	87	OR93346	ESTABILIZADOR	1
29	OR93318	PIEZA FUNDIDA DEL CABEZAL	1	88	OR93347	GORRÓN DE BOLA	2
30	OR93764	ETIQUETA DE ADVERTENCIA	1	89	OR93348	TORNILLO DE EMPALME	2
30A	OR93369	REMACHE DE MARCHA 3 MM	1	90	STD840610	TUERCA HEX. M6	2
31	OR93380	TORNILLO DE FIJACIÓN CAB. HUECA HEX. M8 X 15 MM	1	91	OR93373	TORNILLO DE CAB. HUECA HEX. M6 X 16 MM	2
32	OR93379	TORNILLO DE ARMADURA M8 X 10 MM	2	92	OR93349	ENGRANAJE DE ARMAZÓN	1
33	OR93319	CHAVETA DE LA GUÍA DE COLUMNA	1	93	OR93371	TORNILLO DE CAB. HUECA HEX M6 X 10 MM	1
34	OR93381	TORNILLO DE CAB. HUECA HEX. M8 X 20 MM	2	94	OR93382	TORNILLO DE CAB. HEX M8 X 90 MM	4
35	OR93320	ENGRANE	1	95	OR93350	BLOQUE SEPARADOR	1
36	OR93321	COLLARÍN	1	96	OR93351	ENSAMBLADO DE AGARRADERA (LARGO)	1
37	OR93323	TORNILLO DE CAB. HUECA HEX. M5 X 5 MM	1	97	OR93355	ESTUCHE DE MONTAJE DE CINCEL Y BROCA (INCL. 98, 99, 100, 101) (NO ILUSTRADO)	1
38	OR93322	ÁRBOL DE ENGRANAJES	1	98	OR93356	ENSAMBLADO DE CINCEL Y BROCA 1/4 PULG. (NO ILUSTRADO)	1
39	OR93376	PASADOR DE RESORTE M6 X 30 MM	1	99	OR93359	ENSAMBLADO DE CINCEL Y BROCA 5/16 PULG. (NO ILUSTRADO)	1
40	OR93310	JUNTA DEL ÁRBOL DE ENGRANAJES	1	100	OR93362	ENSAMBLADO DE CINCEL Y BROCA 3/8 PULG. (NO ILUSTRADO)	1
41	OR93806	ENSAMBLADO DE LA AGARRADERA	1	101	OR93365	ENSAMBLADO DE CINCEL Y BROCA 1/2 PULG. (NO ILUSTRADO)	1
42	OR93325	RESORTE	1	102	OR91728	LLAVE HEXAGONAL 5 MM (NO ILUSTRADA)	1
43	OR93326	PERNO DE SALIENTE	1	103	OR90806	LLAVE HEXAGONAL 6 MM (NO ILUSTRADA)	1
47	OR93329	LLAVE	1	104	OR90292	LLAVE HEXAGONAL 8 MM (NO ILUSTRADA)	1
48	OR93312	PERILLA DE CIERRE	1	106	OR93760	MANUAL DE INSTRUCCIONES (NO ILUSTRADO)	1
49	OR93311	ARANDELA PLÁSTICA	1				
50	OR93311	ARANDELA PLÁSTICA	1				
51	STD840610	TUERCA HEX. M6	1				
52	OR93370	TUERCA NYLOK M6	1				
53	OR93316	PLACA DE CIERRE	1				
54	OR93315	CUBIERTA	1				
55	OR93314	BISAGRA	1				



# Get it fixed, at your home or ours!

## Your Home

For expert troubleshooting and home solutions advice:

**manage my home**

[www.managemyhome.com](http://www.managemyhome.com)

For repair – **in your home** – of **all** major brand appliances, lawn and garden equipment, or heating and cooling systems, **no matter who made it, no matter who sold it!**

For the replacement parts, accessories and owner's manuals that you need to do-it-yourself.

For Sears professional installation of home appliances and items like garage door openers and water heaters.

**1-800-4-MY-HOME<sup>®</sup>** (1-800-469-4663)

Call anytime, day or night (U.S.A. and Canada)

[www.sears.com](http://www.sears.com)    [www.sears.ca](http://www.sears.ca)

## Our Home

For repair of carry-in items like vacuums, lawn equipment, and electronics, call anytime for the location of your nearest

**Sears Parts & Repair Service Center**

**1-800-488-1222** (U.S.A.)

[www.sears.com](http://www.sears.com)

**1-800-469-4663** (Canada)

[www.sears.ca](http://www.sears.ca)

To purchase a protection agreement on a product serviced by Sears:

**1-800-827-6655** (U.S.A.)

**1-800-361-6665** (Canada)

Para pedir servicio de reparación a domicilio, y para ordenar piezas:

**1-888-SU-HOGAR<sup>®</sup>**

(1-888-784-6427)

Au Canada pour service en français:

**1-800-LE-FOYER<sup>MC</sup>**

(1-800-533-6937)

[www.sears.ca](http://www.sears.ca)



® Registered Trademark / ™ Trademark / ™ Service Mark of Sears Brands, LLC

® Marca Registrada / ™ Marca de Fábrica / ™ Marca de Servicio de Sears Brands, LLC

MC Marque de commerce / MD Marque déposée de Sears Brands, LLC

© Sears Brands, LLC