

**Sears**

**CHAIN SAW  
owner's  
manual**

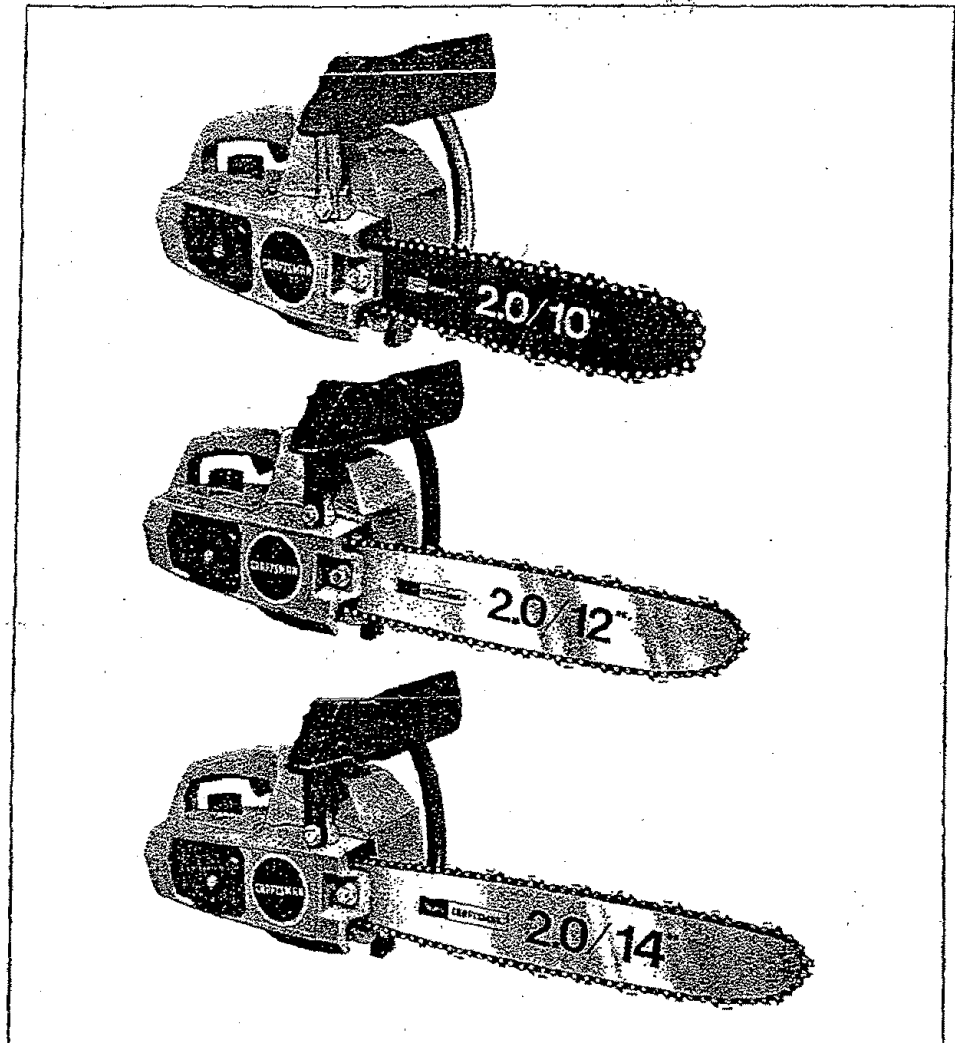
MODEL NO.

358.352030-10"

358.352060-12"

358.352070-14"

**CAUTION:**  
Read Rules for  
Safe Operation  
and Instructions  
Carefully



# CRAFTSMAN

2.0/10" 2.0/12" 2.0/14"

- Assembly
- Maintenance
- Operation
- Repair Parts

Record in the space provided below the Model No. and Serial No. of your saw. These numbers are located on the starting instructions decal.

Model No. \_\_\_\_\_ Serial No. \_\_\_\_\_

Retain these numbers for future reference.

Sears, Roebuck and Co., Chicago, Ill. 60684 U.S.A.

# SAFETY FIRST

## ▼ DON'T

- Don't use the saw when you are tired
- Don't start cutting until you have a clear work area, secure footing, and a planned retreat from a falling tree.
- Don't use a saw that is damaged or poorly adjusted
- Don't touch a moving chain
- Don't use the saw in an enclosed area

## ▼ DO

- Wear safe footwear, snug-fitting clothing, and eye, hearing, and head protection
- Be careful handling fuel
- Hold the saw firmly with both hands
- Carry the saw with the engine stopped, the bar and chain to the rear, and the muffler away from you
- Shut off the engine before setting it down
- Keep the handles free of oil and fuel

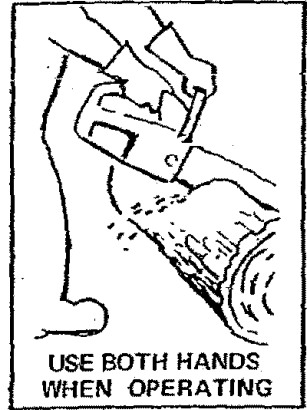
- Keep others out of the work area when the saw is running

## ▼ BE CAREFUL

- Don't climb in a tree with a saw — it is very dangerous. Get professional help.
- Be careful cutting small branches and bushes — small limbs may catch the chain and be whipped toward you.

## ■ LOOK OUT FOR KICKBACK

- When the moving chain at the nose of the bar touches an object, the bar and chain can be thrown upward with considerable force. This is **KICKBACK!**
- Hold the saw firmly with both hands
- Don't overreach
- Don't let the nose of the bar contact a log, branch, etc.
- Cut only at high engine speeds
- Don't reach above shoulder height to cut — the chain is too close to your face in this position
- Keep your chain sharp



## GENERAL TIPS

### Safety First

**Dress Safely** — Loose clothing may get caught in moving parts.  
**It's A One Man Job** — Keep others out of the work area when the engine is running.

**LOOK OUT FOR KICKBACK** — Don't let the tip of the bar touch anything while the engine is running.

### Take care of your saw

**Keep the Chain Out of the Dirt** — Even a small amount of dirt on the log will dull the chain quickly.

**Keep the Chain Sharp** — A dull chain is unsafe and will cause excessive wear to other parts.

**Don't Force the Saw Out of a Jam** — Use a wedge, an axe, a crowbar, or another saw, but don't force it out.

### What is good performance?

**Wood Chips Tell You A Lot** — The chips should be about the size of the chain teeth. If they are small and powder like, your chain is dull. Get it Sharpened!

**Don't Press Hard** — Light pressure is enough. Heavy pressure can cause unsafe conditions. Check for a dull chain or worn bar. (See Guide Bar Maintenance and Chain Sharpening).

**Cut Only At High Speeds** — Keep the throttle wide open when cutting. Don't run the engine at high speed when not cutting!

**It Should Cut Smoothly** — If the engine stalls or bogs with light pressure, check the carburetor setting and the air filter.

**Performance and Safety** — Keep your saw running well and your work will be easier and safer.

## FULL 90 DAY WARRANTY

For 90 days from date of purchase, Sears will repair any defect in material or workmanship in this gasoline chain saw at no charge.

If the chain saw is used for commercial or rental purposes, the warranty applies for only 30 days from the date of purchase.

Warranty service is available by contacting the nearest Sears store or Service Center throughout the United States.

This warranty gives you specific legal rights, and you may also have other rights which vary from state to state.

Sears, Roebuck and Co., BSC 41-3 Sears Tower, Chicago, ILL 60684

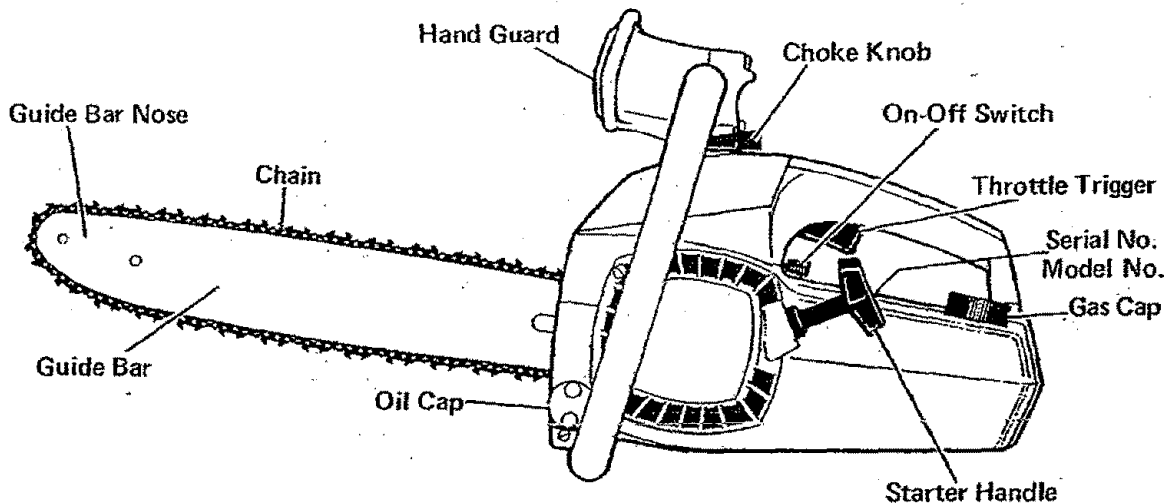
## TABLE OF CONTENTS

INSTALLING THE BAR AND CHAIN .....	4
FUEL AND OIL .....	5
SAWING TECHNIQUES .....	5
MAINTENANCE .....	7
GUIDE BAR MAINTENANCE .....	8
CHAIN SHARPENING .....	8
TEMPERATURE LIMITING MUFFLER INSTRUCTIONS .....	15

*See important notice on page 15 regarding states requiring temperature limiting muffler cover.*

### SPECIFICATIONS

	358.352030 (2.0/10")	358.352060 (2.0/12")	358.352070 (2.0/14")
SPARK PLUG	Champion CJ8	Champion CJ8	Champion CJ8
SPARK PLUG GAP	.023 to .027"	.023 to .027"	.023 to .027"
MODULE AIR GAP	.008 to .012"	.008 to .012"	.008 to .012"
IGNITION	Solid State	Solid State	Solid State
FUEL MIX	(16:1) ½ Pt. Oil to 1 Gal. Reg. Gasoline	(16:1) ½ Pt. Oil to 1 Gal. Reg. Gasoline	(16:1) ½ Pt. Oil to 1 Gal. Reg. Gasoline
GUIDE BAR	10" Non-Armor Tip	12" Sprocket Nose	14" Sprocket Nose
CHAIN	Low Profile 3/8 Pitch	Low Profile 3/8 Pitch Chrome Cutters	Low Profile 3/8 Pitch Chrome Cutters
MUFFLER	Spark Arresting	Spark Arresting	Spark Arresting

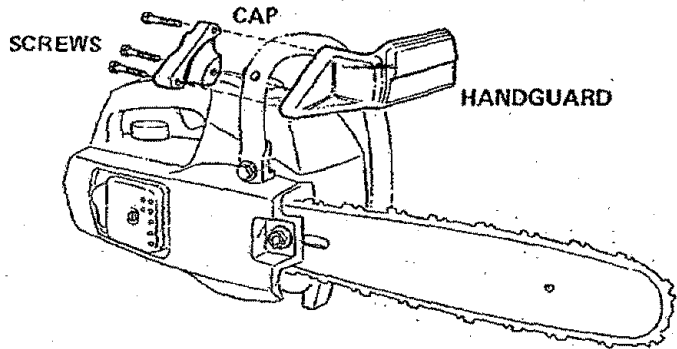


### HANDGUARD MOUNTING INSTRUCTIONS

**HANDGUARDS DO NOT ELIMINATE THE POSSIBILITY OF INJURY AS A RESULT OF KICKBACK OR LOSS OF CONTROL OF THE CHAIN SAW. READ OPERATING INSTRUCTIONS CAREFULLY.**

1. Assemble the handguard to the bend in the handlebar as shown. Do not tighten the screws.
2. Make sure the handguard is parallel to the handlebar. Alternately tighten each handguard mounting screw maintaining an even gap between the handguard and mounting cap.
3. Tighten the mounting screws until the handguard and mounting cap are pulled together.

**Caution:** Screws must be tightened evenly to prevent breakage.



## INSTALLING THE BAR AND CHAIN

▼ Always wear gloves when handling the chain!  
It is sharp!

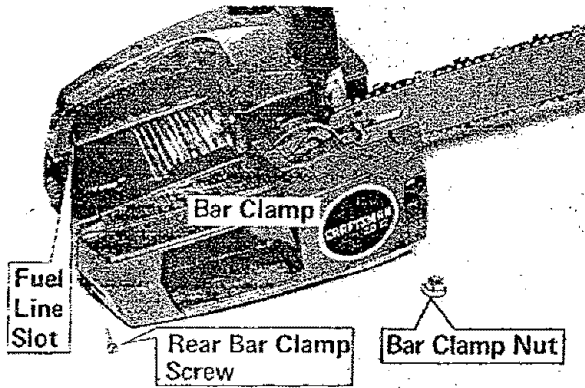


Figure 1

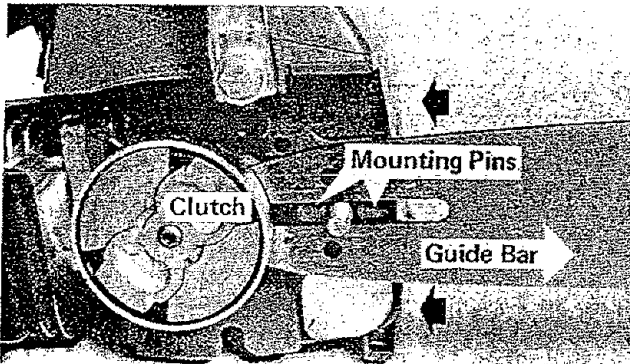


Figure 2

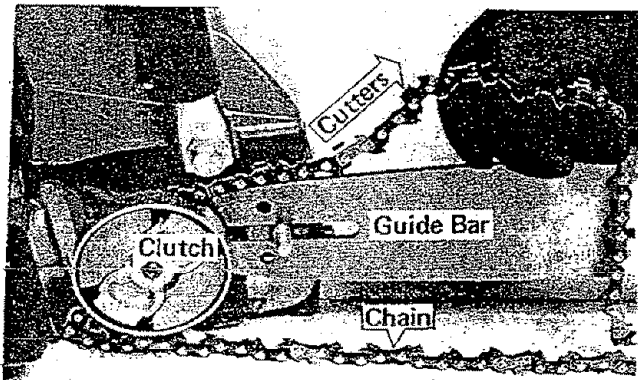


Figure 3

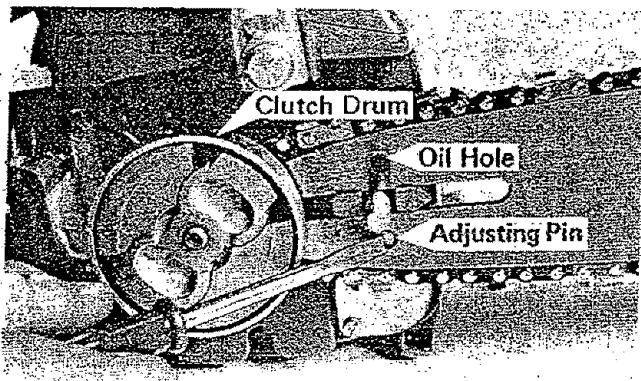


Figure 4



Figure 5

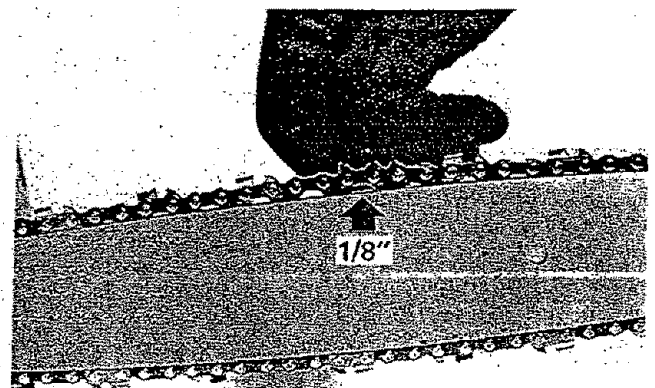


Figure 6

1. Remove the bar clamp nut and rear bar clamp screw (Figure 1). Turn the adjusting screw, setting the pin all the way to the rear (See Figure 5).
2. Place the guide bar slot over the mounting pins and slide it to the rear (Figure 2).
3. Fit the chain over the clutch and onto the guide bar. Be sure the cutters face the way shown in Figure 3.
4. Slide the bar forward placing the adjusting pin into the hole in the bar (Figure 4). The pin can be moved farther back by turning the adjusting screw (Figure 5) counterclockwise.
5. Replace the bar clamp and tighten the bar clamp nut FINGER TIGHT.
6. NOTE: Be sure fuel line is in slot in fan housing. (See Figure 1).
7. Holding the tip of the bar up (Figure 5) turn the adjusting screw clockwise until the chain is snug on the bar.
8. Lift the chain from the bar near the middle of the bar (Figure 6). When tensioned right, the chain will lift about 1/8" from the bar. Figure 6 shows the right tension. Adjust your chain until it looks like this.
9. Hold the bar tip up and tighten the bar clamp nut firmly. Replace the rear housing screw. (See that fuel line is not pinched and is in slot in fan housing).
10. The chain should not sag below the bar and should move freely around the bar.

CHAIN STRETCHES WHEN USED. CHECK THE TENSION OFTEN!

## OPERATING INSTRUCTIONS

### Before Starting

- Check the chain tension. Is the chain sharp?
- Are the handles clean of gas and oil?
- Did you fill the fuel AND oil tanks?

### FUEL and OIL

**Fuel Mix:** 16 parts gasoline to 1 part oil (1/2 pint oil to one gallon gasoline). Use air cooled two cycle engine oil for fuel mix.

#### CAUTION:

When preparing fuel mixture, mix only the amount needed for the job you are to do. Do not use fuel mixture that has been stored longer than **two (2) months**. Fuel mixture stored longer than this will cause hard starting and poor performance of your saw. If fuel mix has been stored in your saw longer than this time it should also be removed and filled with a fresh mixture before using.

**Chain Oil:** For cold weather operation, above 30° F, use straight Craftsman Bar and Chain Lubricant. 30° to 0°, use 5% diesel fuel #1 or kerosene and 95% Lubricant; below 0° F, use 10% diesel fuel #1 or kerosene and 90% Lubricant. If Bar and Chain Lubricant is not diluted adequately, the oil system of the chain saw will not pump enough oil for adequate lubrication of Bar and Chain.

### A WORD ABOUT CHAIN OILING

1. Fill the oil tank each time you fill the fuel tank. Lack of oil on the chain will quickly ruin the bar and chain.
2. You will use at least 1/3 tank of oil for each tank of gas. If you use less, check for a plugged oil hole in the guide bar.

Use clean oil. Do not let sawdust or dirt into the oil tank. Clean the oil cap and the area around it before removing. The oil tank is pressurized for pump operation. A little oil will pump out after the engine stops. Oil on the bar and chain will drip off after use. Let the saw stand and cool off. Wipe the bottom clean before storing.

### STARTING

Move bystanders and obstructions well out of reach! Release the trigger after the engine starts.

1. Move the choke knob as far as it will go in the direction of the arrow.
2. Turn the switch on (to the left).

3. Hold the rear handle in your right hand and squeeze the trigger.
4. Hold the starter handle in your left hand.
5. Push the saw away from you while pulling the starter quickly. **HOLD THE SAW FIRMLY.** Do not let the starter snap back. Hold the handle and let the rope rewind slowly.
6. After a few pulls, the engine will fire.
7. Return the choke to its original position.
8. Pull until the engine starts. Allow 8 to 10 pulls for a new unit or one which has been stored for time. **The chain must not move when the engine idles.** See maintenance section.
9. If engine does not fire after 5 to 6 pulls, it may be flooded. Push choke off (clockwise) and pull starter several times while holding trigger at wide open throttle. If saw has run out of fuel, 8 to 10 pulls with choke on may be required to restart engine. When restarting a hot engine, or one which has just been refueled, you may have to choke the engine for one or two pulls.
10. To stop engine, push switch to "off" position. The engine may also be stopped by pushing the choke lever to the right (counter-clockwise).



Push the saw away from you while pulling the starter quickly.

### CUTTING TIPS

- ▼ Read the safety tips in the front of this manual. Always keep your chain sharp.

#### Plan Ahead

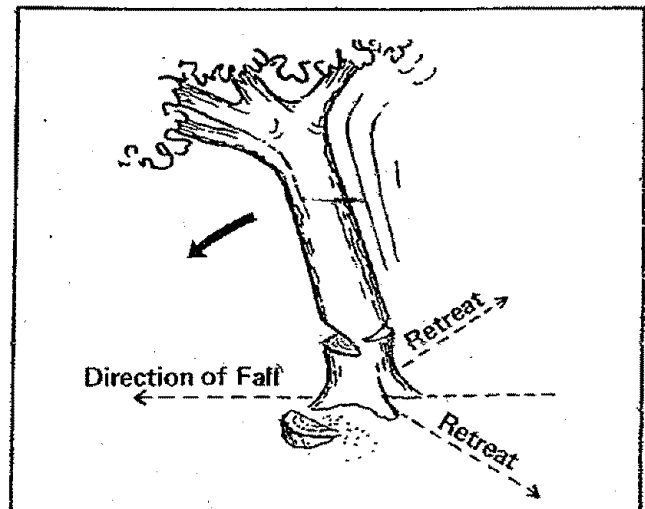
**Check The Wind** — If it is strong enough to move the top of the tree, **DON'T CUT!** Come back another day!

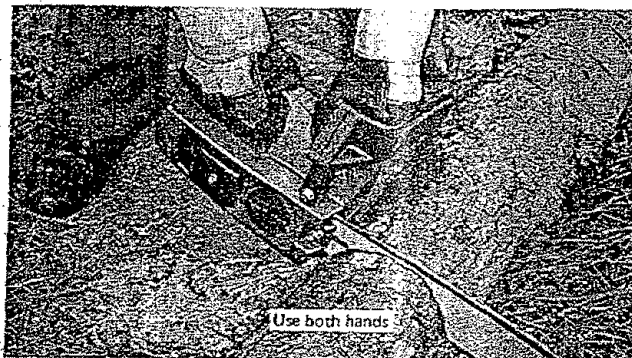
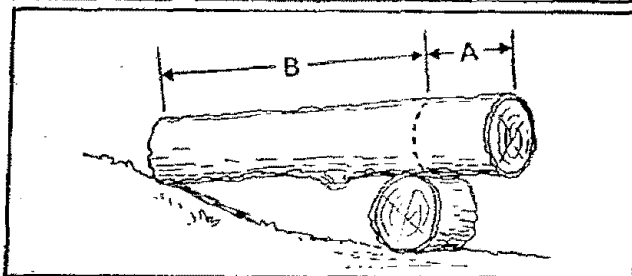
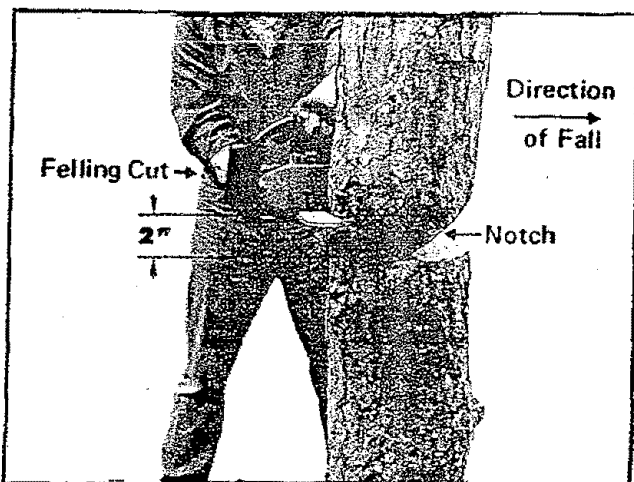
**Check The Lean** — Tie a weight to a piece of string about 3 feet long. Hang the weight in your line of sight. The string is a good vertical line to help you judge the lean of the tree. The tree will try to fall the way it is leaning.

**Check The Weight Distribution** — A tree is heavier on the side with the most limbs. It will try to fall on its heavy side. Trim a few limbs to "balance" the tree.

**Clear The Work Area** — You need a clean area all around the tree for good footing. Get everything out of the area where the tree will fall. People, pets, cars, etc.

**Find a Retreat Path** — Know which way you are going when the tree starts to fall. Make sure it is clear.





## FELLING (Cutting down a tree)

### A Small Trees – Less than 8" across

1. If there is doubt about the direction of fall, use "notch" method described in B.
2. Make a single felling cut on the side away from the direction of fall. Don't cut all the way through!
3. When the tree starts to fall, put the saw down and **GET AWAY QUICKLY!**

### B Large Trees – 8" or larger across

1. The notch is very important. The tree will try to fall "into" the notch.
2. Make the bottom notch cut first, about 1/3 to 1/2 way into the tree.
3. Complete the notch with the slant cut. Remove the wedge of wood before going on.
4. The felling cut is next. Make it on the side opposite the notch.
5. It is made 2" higher than the bottom of the notch.
6. **DO NOT** try to cut through to the notch.
7. As the tree starts to fall, put the saw down and **GET AWAY QUICKLY!**

## BUCKING

Bucking is the sawing of a log or fallen tree into smaller pieces.

- Use Both Hands – grip the saw firmly with the thumb and forefinger wrapped around the handle.
- Stand Uphill – a log that is cut loose will roll downhill.
- Keep The Chain Out Of The Dirt – dirt will dull the chain. A dull chain is unsafe.
- Stand to the left of the saw.

### How To

- A In area "A", come up from the bottom 1/3 of the way. Finish by coming down from the top.
- B In area "B", come down from the top 1/3 of the way. Finish by coming up from the bottom.

## PRUNING AND DEBRANCHING

### 1 Be Careful

- Use Both Hands – keep a firm grip.
- Look Out For Kickback – don't let the tip of the bar touch anything while the engine is running.
- Don't Cut Overhead – keep the saw below chest high. The chain is too close to your face in this position.

### 2 Pruning (Cutting limbs from standing tree)

- Don't Use The Saw In A Tree – It is very dangerous. Get professional help.
- Keep Both Hands On The Saw – keep a firm grip.
- Be Sure Of Your Support – don't cut off balance.
- Cut Up From The Bottom, Finish Down From The Top.

### 3 Debranching (Cutting the limbs from a fallen tree)

- Cut On The Opposite Side Of The Tree – keep the tree between you and the chain.
- Be Sure Of Your Footing – work slowly and deliberately.
- Look Out For Springpoles – limbs bent under pressure will snap up at you when cut.

## MAINTENANCE

### Carburetor Adjustment

▼ **BE CAREFUL!** The chain will be moving during this procedure.

1. Stop the engine.
2. Remove the carburetor cover (Figure 7). Turn the high speed (Figure 8) and low speed mixture screws clockwise (Figure 8) until they stop. Don't tighten them, you may damage the needle seats!
3. Turn the high speed and low speed mixture screws one full turn counterclockwise (Figure 8).
4. Start the engine. If it stops, increase the idle speed (Figure 8) by turning the idle speed screw clockwise (Figure 8). Keep dirt and sawdust away from the carburetor while the cover is removed.
5. Run the engine for a few minutes to bring it up to operating temperature.
6. Set the idle speed as fast as possible without the chain moving. Turn the idle speed screw clockwise (Figure 8) for faster idle, counterclockwise (Figure 8) for slower idle.
7. Squeeze the trigger quickly. If the engine stops, restart it. The engine should accelerate without hesitating when the trigger is squeezed. If it does not, turn the low speed mixture screw counterclockwise (Figure 8) 1/16 of a turn and check the acceleration again. If the idle speed slows while adjusting the low speed mixture, reset the idle speed as in step 6. Continue step 7 until acceleration is smooth.
8. Make a test cut with the saw (keep sawdust out of the carburetor!)
9. If the engine seems to smoke excessively in the cut, turn the high speed mixture screw clockwise (Figure 8) 1/16 of a turn. Repeat step 8 and 9, if necessary. **WARNING:** The high speed needle must never be less than 7/8 turn open. Too lean of a setting will quickly ruin the engine.
10. If the engine seems to weaken or lose power in the cut, turn the high speed mixture screw counterclockwise (Figure 8) 1/16 of a turn at a time until the saw cuts smoothly. The high speed mixture screw should not be open more than 1 1/4 turns (counterclockwise (Figure 8)) from the stopped position in step 2.
11. Reset the idle speed (see step 6).

### Replacing carburetor cover

▼ **Incorrect placement of the cover will prevent the choke from working.**

1. Move the choke knob all the way in the choke direction.
2. Move the choke shutter to the choke closed position (See Figure 8).
3. Place the cover on the saw and tighten the screws.
4. Check the operation of the choke. If the knob sticks or won't move, remove the cover and repeat the procedure above.

### Air Filter

▼ **Clean the air filter after every 10 tanks of gas or every 5 hours of operation.**

1. Remove the carburetor cover and pull out the filter (Figure 9).
2. **DO NOT** clean your filter in gasoline or other flammable solvent. Blow the dirt off with compressed air or wash filter in soap and water.
3. **Note:** The filter is oil soaked. It must be reoiled after cleaning. Use 30W oil or Chain oil. Soak the filter with oil then squeeze out completely.
4. Replace the filter and carburetor cover.

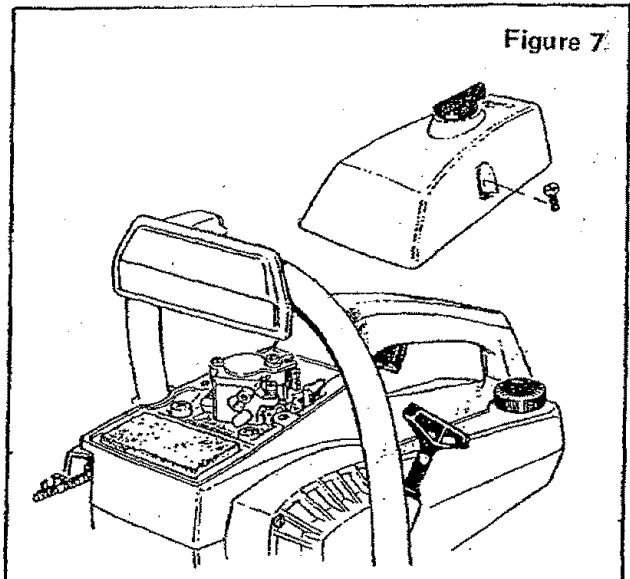


Figure 7

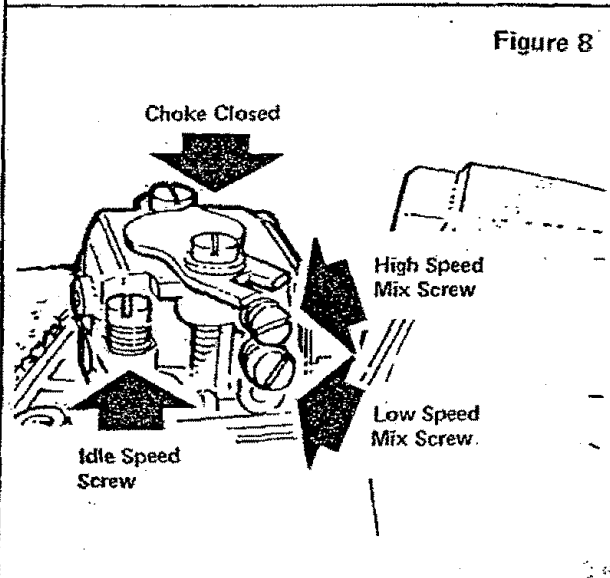


Figure 8

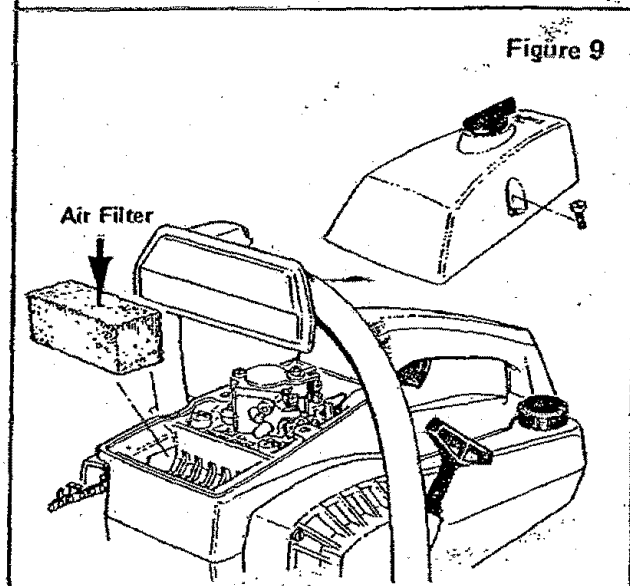


Figure 9



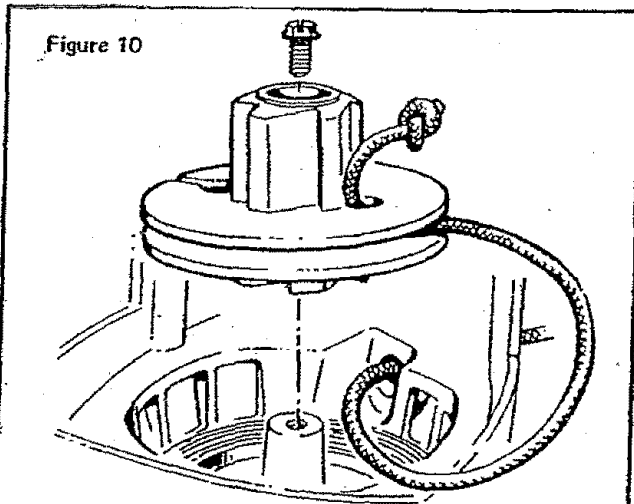


Figure 10

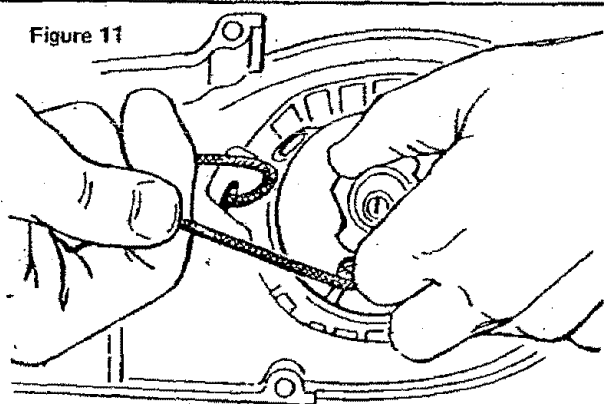
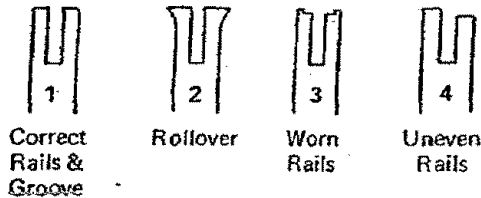


Figure 11

Figure 12



Correct Rails & Groove      Rollover      Worn Rails      Uneven Rails

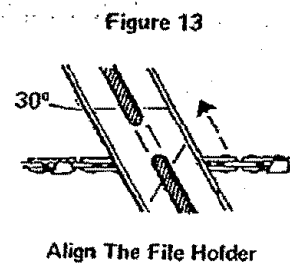


Figure 13

Align The File Holder

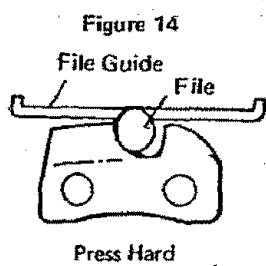


Figure 14

Press Hard

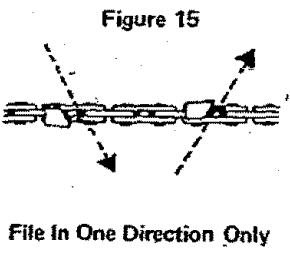


Figure 15

File In One Direction Only

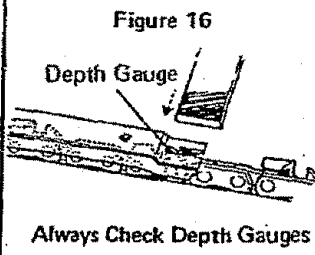


Figure 16

Always Check Depth Gauges

### Starter Rope

If your rope breaks near the pulley, it can be repaired by this method. Otherwise, replace the rope.

1. Remove the pulley screw and pulley very carefully. The recoil spring lies beneath the pulley. Twist the pulley gently as you pull up to release the spring. The spring must stay in the housing, flat against the bottom.
2. Burn the rope end and run it through a rag before it cools. An enlarged end will keep the rope from fitting onto the pulley. Don't touch the burned end. It is hot!
3. Feed the rope through the housing, into the pulley, and up through the pulley hole as in Figure 10. A sharp object or stiff wire will help you get the rope through the hole.
4. Tie a knot in the end of the rope. Pull it very tight against the pulley.
5. Replace the pulley in the housing. Be sure the pulley is all the way down and the spring is engaged. Replace and tighten the pulley screw.
6. Rewind all the rope onto the pulley by turning counterclockwise ↺
7. Pull about 6 inches out as shown in Figure 11 and set the rope in the pulley slot.
8. Make three complete turns of the pulley clockwise ↻. Pull the starter handle to the full extent of the rope and let the rope rewind slowly.

### GUIDE BAR MAINTENANCE

▼ Check the condition of the guide bar often. A worn bar will damage the chain and make cutting harder.

1. Figure 12 shows a cross-section of the guide bar. Keep the edges square as in 1 with a flat file.
2. Rollover is shown in 2. This will cause you to press extra hard when cutting.
3. Worn rails are shown in 3. This occurs most often at the guide bar nose.
4. Uneven rails are shown in 4. This will cause the saw to cut on an angle.
5. Keep the rails flat and square as shown in 1.

### CHAIN SHARPENING (Refer to page 9 for tools)

#### ○ Keep Your Chain Sharp

Dirt will dull a chain instantly. Keep the chain out of the dirt.

If the chain cuts to one side, it is dull.

Extra rough cutting is a sign of a dull chain.

Powder-like wood chips mean a dull chain.

Cutting is much easier and safer with a sharp chain.

#### ○ To Sharpen

1. Set the chain tension right. You must still be able to move the chain around the bar.
2. Clamp the guide bar in a vise. Don't clamp the chain! Clamp in the center of the bar.
3. Use 5/32" file only.
4. Sharpen all the cutters away from you first. Then turn the saw around and sharpen the cutters on the other side.
5. Align the file holder marks with the bar as shown in Figure 13, using the 30° angle mark on file holder.



6. Hold the file level, perpendicular to the bar, Figure 14.
7. File in ONE direction only! Figure 15.
8. Press hard! Two or three strokes should do it.
9. Always check the depth gauge with the depth gauge filing guide after filing. If the depth gauge sticks out, file it off with a flat file, Figure 16.

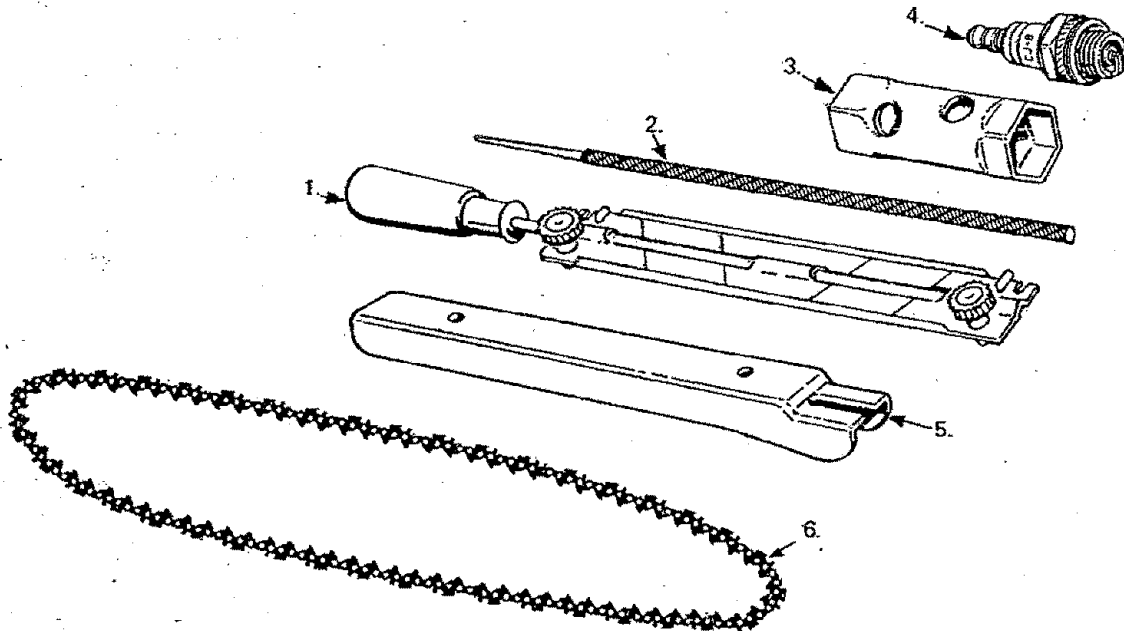
### STORING YOUR CHAIN SAW

Once you have finished using the saw and it is to be idle for several months, follow these steps before storing the saw.

1. Drain fuel from the tank.
2. Start Engine and allow to run at idle speed until all fuel is used.
3. Drain oil from oil tank.
4. Coat guide bar and chain with oil to prevent rust.
5. Store in a dry area and cover to protect from dust.

## maintenance kit

MAINTENANCE ITEMS AVAILABLE  
BUT NOT FURNISHED WITH YOUR SAW



Available through your nearest Sears Service Center

KEY NO.	PART NO.	CATALOG NO.	DESCRIPTION
1	55046	32-36516	File Holder (includes file)
2	55004	32-36524	File (5/32" dia.)
3	31059		Spark Plug Wrench
4	30005	32-36403	Spark Plug-Champion CJ-8
5	55023	32-36557	Depth Gauge (.025")
6	51045	32-3622	10" replacement chain
	51046	32-3623	12" replacement chain
	51047	32-3617	14" replacement chain

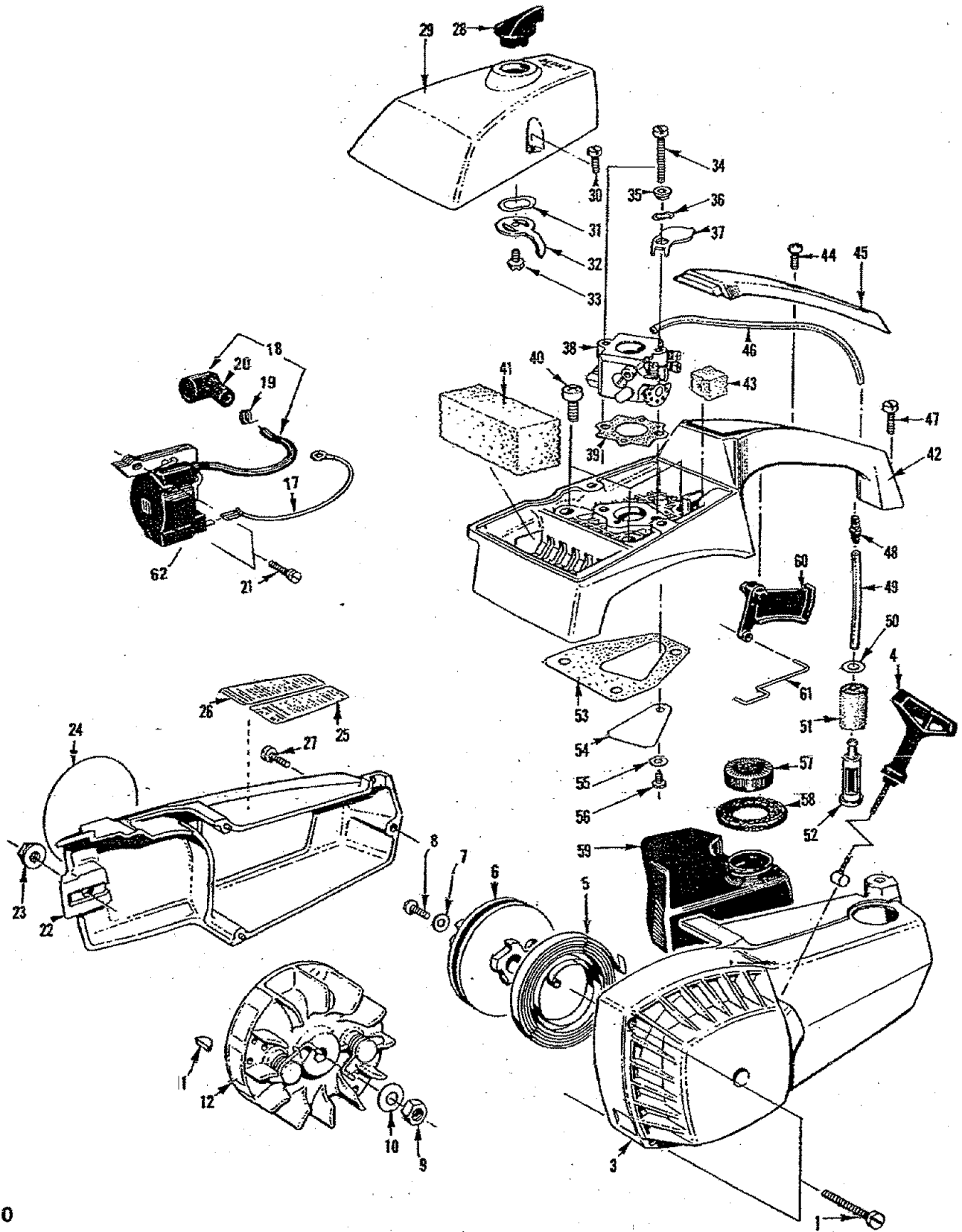
Accessories available through your nearest Sears Store or Catalog outlet.

All items except numbers 3 & 5 shown above.

CATALOG NO.	DESCRIPTION
32-36513	Plastic Chain Guard
32-36621	Carry Case
32-36554	Bar & Chain Lubricant
32-36555	Two-Cycle Engine Oil
32-36363	Replacement 10" Bar
32-36364	Replacement 12" Bar
32-36365	Replacement 14" Bar

SEARS CHAIN SAW PARTS LIST  
 Craftsman 2.0-10" (Model 358.352030)  
 Craftsman 2.0-12" (Model 358.352060)  
 Craftsman 2.0-14" (Model 358.352070)

Figure 1.



**SEARS CHAIN SAW PARTS LIST**  
**Craftsman 2.0—10" (Model 358.352030)**  
**Craftsman 2.0—12" (Model 358.352060)**  
**Craftsman 2.0—14" (Model 358.352070)**

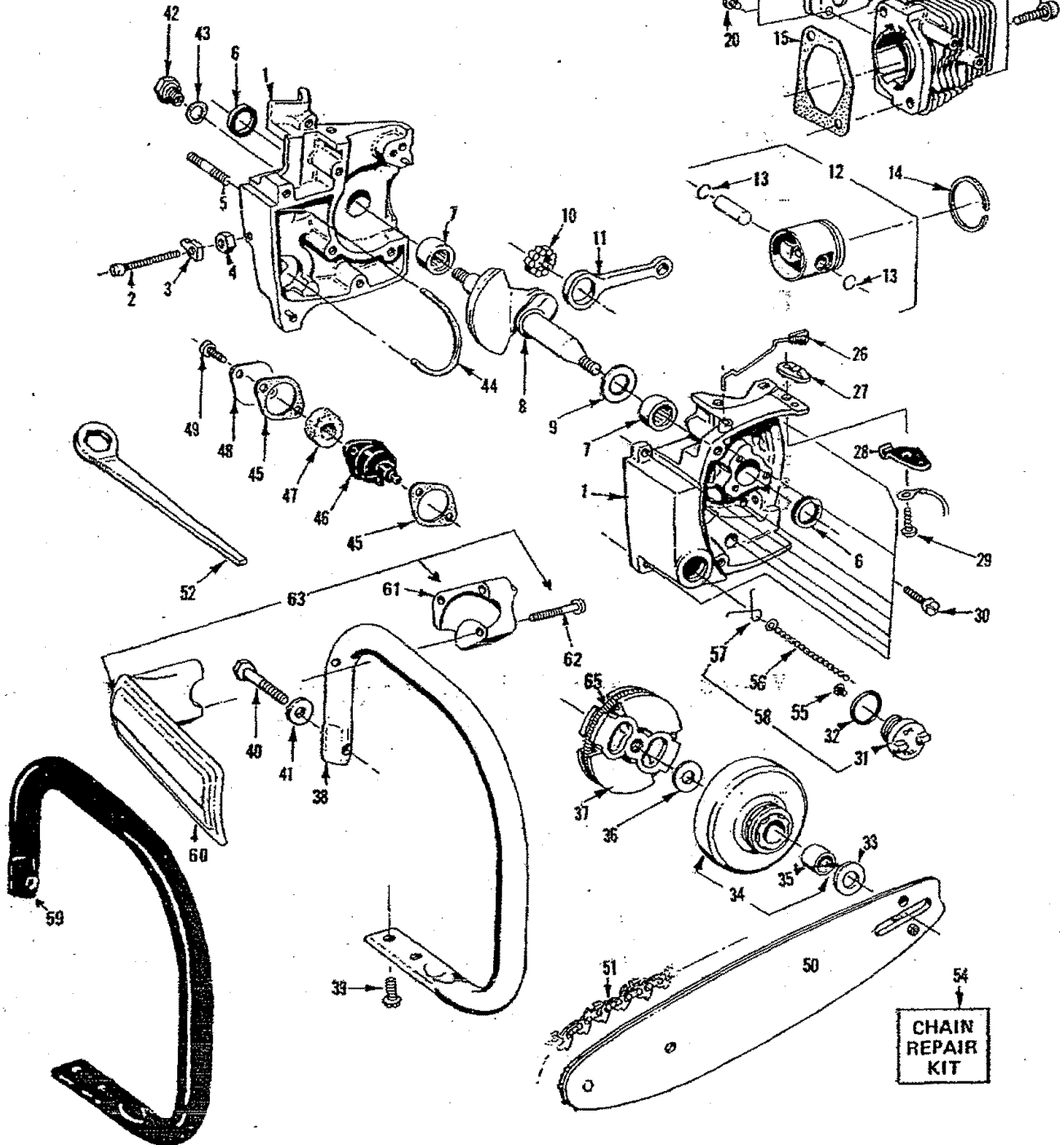
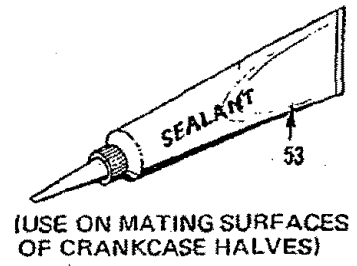
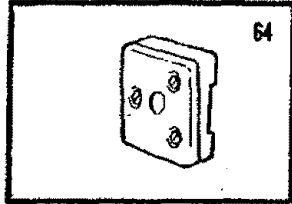
Figure 1.

Ref. No.	Part No.	Qty.	Description
1	15229	2	Screw-10-24x1-3/8
3	11309	1	Fan Housing
4	23783	1	Rope & Handle-Starter
5	42023	1	Spring-Starter
6	10373	1	Pulley-Starter (includes Ref. No. 7)
7	15428	1	Washer
8	15036	1	Screw-10-24x½
9	626605	1	Nut-5/16-24
10	15127	1	Washer-Flywheel
11	15126	1	Key-Flywheel
12	39111	1	Flywheel Assembly
17	24158	1	Lead-Switch
18	39082	1	Lead-Spark Plug (includes 19 & 20)
19	3933	1	Connector-Spark Plug
20	3934	1	Boot-Spark Plug
21	15128	2	Screw-8-32x¾ Sems
22	11311	1	Bar Clamp
23	15251	1	Nut-Bar Mounting
24	23927	1	Decal-Bar Clamp (Model 2.0—10")
	23929	1	Decal-Bar Clamp (Model 2.0—12")
	24052	1	Decal-Bar Clamp (Model 2.0—14")
25	24125	1	Decal-Instruction (left half)
26	24124	1	Decal-Instruction (right half)
27	15163	1	Screw-10-24x7/8
28	23807	1	Choke Knob
29	23881	1	Cover-Carburetor
30	15168	2	Screw-10-24x5/8
31	15147	1	Wave Washer
32	23806	1	Lever-Choke
33	1726	1	Screw-8-32x5/16 Tapping
34	15245	2	Screw-10-24x1-5/8
35	23865	1	Spacer-Choke Shutter
36	15254	1	Wave Washer
37	23805	1	Shutter-Choke
38	35002	1	Carburetor (WA-19)
39	19045	1	Gasket-Carburetor
40	15242	3	Screw-¼-20x11/16
41	23791	1	Air Filter
42	23878	1	Handle & Carburetor Housing
43	23373	1	Boot-Throttle Wire
44	15247	1	Screw-No. 8x¾ Tapping
45	23883	1	Cover-Handle
46	21025	1	Fuel Line (Bulk No. 8133)
47	15141	1	Screw-¼-20x¾
48	23877	1	Fitting-Fuel Line
49	21024	1	Line-Fuel Pick-up (Bulk No. 8133)
50	15252	1	Washer-Fuel Pick-up Weight
51	23364	1	Filter-Fuel
52	23363	1	Weight-Fuel Pick-up
53	19092	1	Gasket-Carburetor Housing
54	23366	1	Reed Valve
55	23367	1	Washer-Reed Valve
56	15241	1	Screw-No. 6x5/16 Tapping
57	23808	1	Cap-Fuel Tank
58	19093	1	Seal-Fuel Tank Neck
59	23819	1	Fuel Tank
60	23804	1	Trigger-Throttle
61	23803	1	Wire-Throttle
62	39087	1	Ignition Module, includes 17 & 18
63	39081	1	Lead-Switch
..	63869	1	Owners Manual
..	23931	1	Warranty decal

**SEARS CHAIN SAW PARTS LIST**  
 Craftsman 2.0-10" (Model 358.352030)  
 Craftsman 2.0-12" (Model 358.352060)  
 Craftsman 2.0-14" (Model 358.352070)

Figure 2.

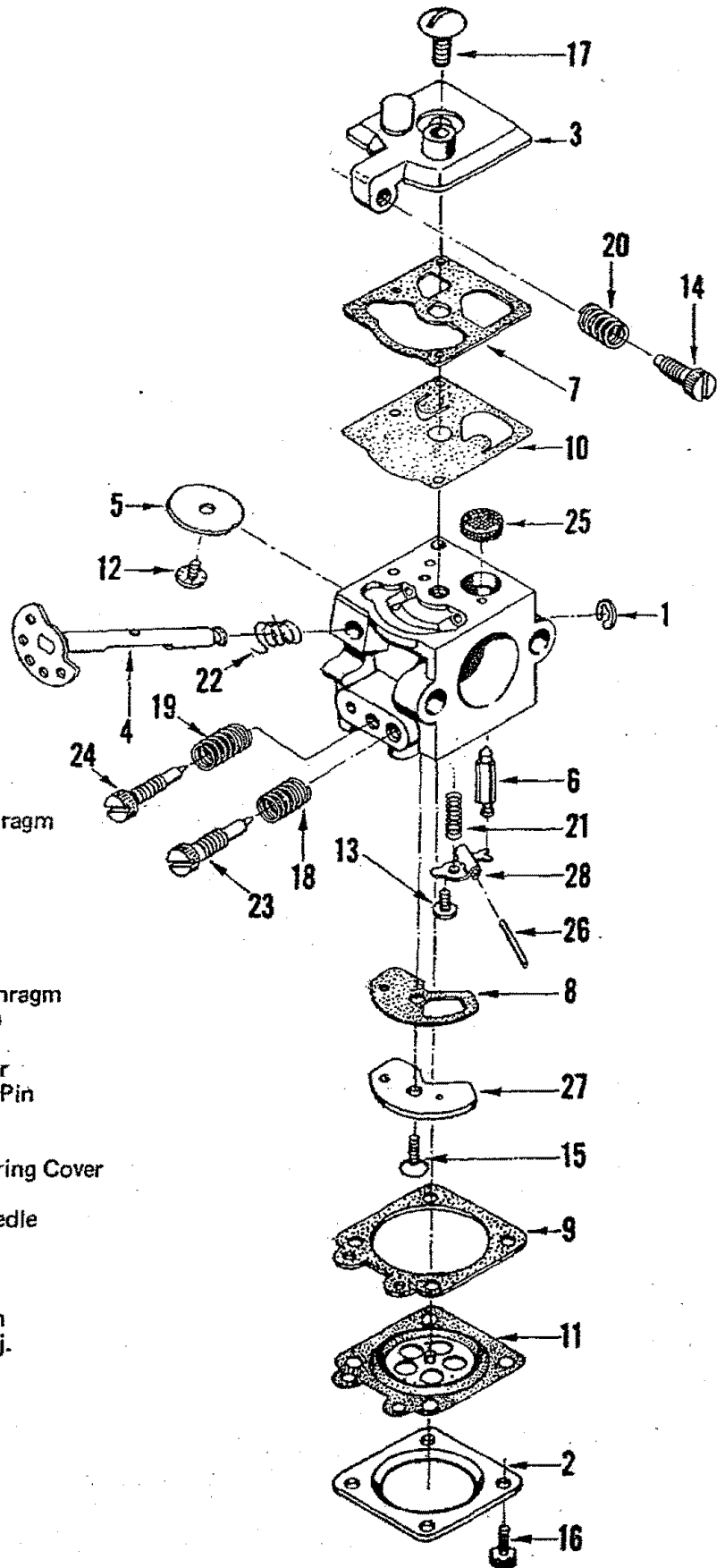
Optional  
 temperature limiting  
 muffler cover referred  
 to on page 15.



**SEARS CHAIN SAW PARTS LIST**  
**Craftsman 2.0-10" (Model 358.352030)**  
**Craftsman 2.0-12" (Model 358.352060)**  
**Craftsman 2.0-14" (Model 358.352070)**

Figure 2.

Ref. No.	Part No.	Qty.	Description
1	10194	1	Crankcase Assembly - includes Nos. 2, 3, 4, 5, 6, & 7.
2	15236	1	Screw-Bar Adjust. (included in No. 1)
3	23492	1	Pin-Bar Adjust. (included in No. 1)
4	15135	1	Lock Nut-8-32 (included in No. 1)
5	15249	1	Stud-Bar (included in No. 1)
6	19059	2	Seal-Crankshaft (included in No. 1)
7	32026	2	Bearing-Crankshaft (included in No. 1)
8	22172	1	Crankshaft Solid State Ignition
9	23887	1	Thrust Washer-Crankshaft
10	32025	12	Bearing-Roller
11	22158	1	Connecting Rod
12	22152	1	Piston Kit; includes No. 13
13	23843	2	Ring-Piston Pin Retainer
14	23789	1	Piston Ring
15	19088	1	Gasket-Cylinder
16	11287	1	Cylinder
17	15239	2	Screw-1/4-20x3/4 Socket Head
18	30005	1	Spark Plug-CJ-8
19	23794	1	Body-Muffler
20	1666	2	Screw-10-24x1/2
21	23797	2	Baffle-Muffler
22	23796	1	Screen-Spark Arrestor
23	23535	1	Spacer-Muffler Cover
24	23795	1	Cover-Muffler
25	15169	1	Screw-10-24x1-7/16
26	23788	1	Knob-Kill Switch
27	23786	1	Ramp-Switch
28	23787	1	Clamp-Switch
29	15235	1	Screw-No. 8x9/16 Tapping
30	15238	7	Screw-10-24x11/16
31	23874	1	Cap-Oil
32	1949	1	O-Ring-Oil Cap
33	23519	1	Spacer-Clutch (inside)
34	48032	1	Sprocket & Drum (includes 35)
35	32028	1	Bushing-Clutch Drum
36	15173	1	Thrust Washer (outside)
37	10158	1	Clutch Assembly
38	22138	1	Handlebar (358.352020-10")
39	15037	2	Screw-10-24x5/8
40	1648	1	Screw-1/4-20x1 1/4 Hex Bolt
41	15151	1	Washer-Handlebar (top)
42	23824	1	Check Valve-Oil Tank Pressure
43	19089	1	Gasket-Check Valve
44	21026	1	Line-Oil Discharge (Bulk No. 8133)
45	19091	2	Gasket-Oil Pump
46	10195	1	Body Assembly-Oil Metering
47	23801	1	Filter-Oil
48	23802	1	Cover-Oil Pump
49	1643	2	Screw-8-32x1/2
50	44135	1	Bar-10"
	44132	1	Bar-12" S. N.
	44133	1	Bar-14" S. N.
51	51045	1	10" Chain
	51046	1	12" Chain
	51047	1	14" Chain
52	31063	1	Wrench-Bar & Chain Adjusting
53	30054	As Req.	
54	52043	1	Sealant-Crankcase Chain Repair Kit (includes 1 Drive link, 2 Preset tie straps, 2 Plain tie straps, 1 Guard drive link)
55	15004	1	Screw-8-32x5/16 (358.352060 & 358.352070)
56	23653	1	Chain-Oil Cap (358.352060 & 358.352070)
57	23656	1	Retainer-Chain (358.352060 & 358.352070)
58	10221		Oil Cap Ass'y (358.352060 & 358.352070) (includes 31, 32, 55, 56 and 57)
59	22222	1	Handlebar w/cover (358.352060 & 358.352070)
60	24091	1	Hand Guard
61	24049	1	Cap-Hand Guard
62	15312	3	Screws-Hand Guard
63	10252	1	Hand Guard Assembly (Includes 60, 61, 62)
64	32-36151	1	Optional temperature limiting muffler cover
65	1697	1	Spring-Clutch



Ref. No.	Part No.	Description
1	35007	Clip-Throttle Shaft
2	35003	Cover-Metering Diaphragm
3	35033	Cover-Fuel Pump
4	35034	Shaft-Throttle
5	35006	Shutter-Throttle
6	35008	*Valve-Inlet Needle
7	35009	*Gasket-Fuel Pump
8	35012	*Gasket-Circuit Plate
9	35011	*Gasket-Metering Diaphragm
10	35013	*Diaphragm-Fuel Pump
11	35014	*Diaphragm-Metering
12	35015	*Screw-Throttle Shutter
13	35016	Screw-Metering Lever Pin
14	35035	Screw-Idle Adj.
15	35018	*Screw-Circuit Plate
16	35021	Screw Assembly-Metering Cover
17	35017	Screw-Pump Cover
18	35036	Spring-High Speed Needle
19	35023	Spring-Idle Needle
20	35038	Spring-Idle Adj. Screw
21	35047	*Spring-Metering Lever
22	35024	Spring-Throttle Return
23	35053	Needle-High Speed Adj.
24	35039	Needle-Idle Adj.
25	35027	*Screen-Inlet
26	35028	*Pin-Metering Lever
27	35042	Plate-Circuit
28	35031	*Lever-Metering
	35049	Kwik Kit-Repair

(\* ) Indicates contents of Repair Parts Kit.

## OPTIONAL TEMPERATURE LIMITING MUFFLER COVER

In some states, such as California, laws covering chain saws (having internal combustion engines), when used in areas covered by forests, brush or grass (excluding residential lawns and landscaped areas), necessitate fitting the saw's muffler with an additional heat shield to reduce muffler surface temperatures. Sears offers such a shield as an optional accessory kit. Order Muffler Heat Shield Accessory Kit as listed below. Check with your state conservation or forestry department about their regulations before operating this Sears chain saw on any forest-covered, brush-covered, or grass-covered areas. Oregon & Washington have similar requirements with respect to forest-covered lands.

### SEARS CHAIN SAW

358.352030, 352060, 352070

### MUFFLER HEAT SHIELD KIT

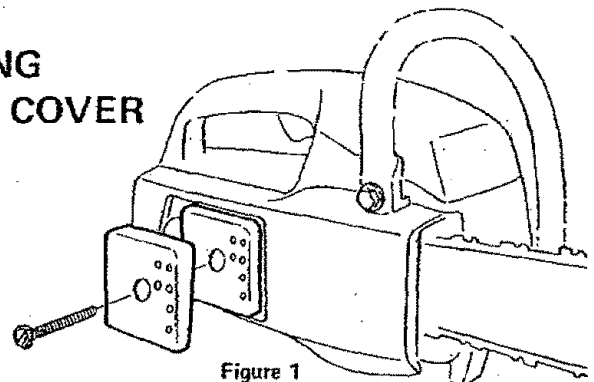
PART NO. 32 36151

The mufflers on the above chain saws are equipped with a "spark arrestor" to help prevent exhaust sparks from igniting flammable materials. Some states, such as California, require individuals using this chain saw in areas covered by forests, brush, or grass (excluding residential lawns and landscaped areas) to maintain the "spark arrestor" in effective working order. Instructions covering proper maintenance and replacement are contained in your Owner's Manual.

## INSTRUCTIONS FOR INSTALLING TEMPERATURE LIMITING MUFFLER COVER

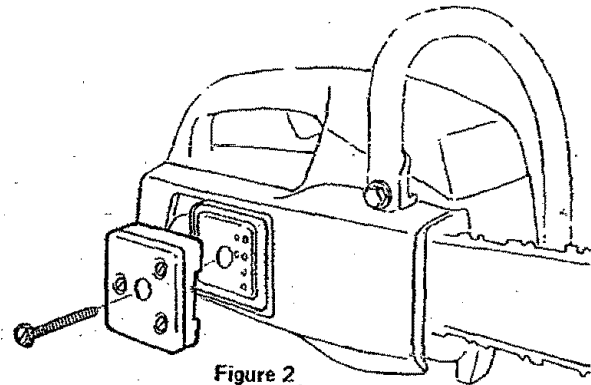
### REMOVE STANDARD COVER

1. Use a 5/16" socket wrench to remove the screw located in the center of the muffler cover. Remove the muffler cover from the muffler body (figure 1.) Do not remove inside parts.



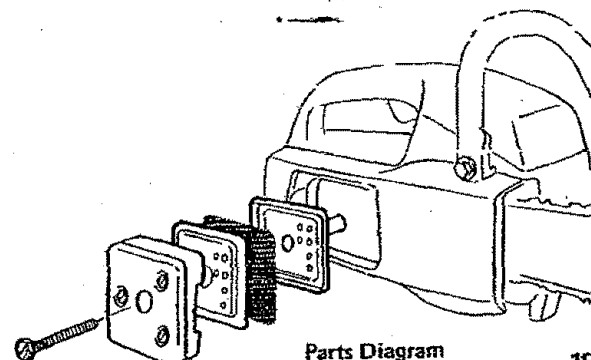
### INSTALL VENT COVER

2. Insert the temperature limiting muffler cover (figure 2.) into the muffler body until it seats on the inside parts. Replace and tighten screw. Do not use an air wrench to tighten screw.



### NOTE:

It is not necessary to remove inside muffler parts to install temperature limiting muffler cover. If inside parts are removed, the diagram shows how parts are reassembled.





**Sears**

**MODEL NO.**  
**358.352030-10"**  
**358.352060-12"**  
**358.352070-14"**

**How to Order  
Repair Parts**

**SEARS SERVICE  
IS AT YOUR SERVICE**

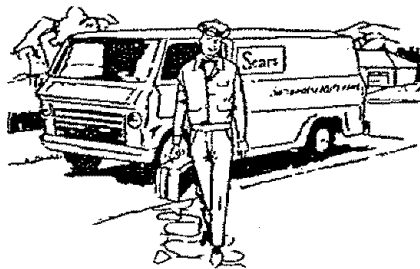
The Model Number will be found under the handle with the Serial Number. Always mention the Model Number when requesting service or repair parts for your Chain Saw.

All parts listed herein may be ordered from any SEARS, ROEBUCK AND CO. OR SIMPSONS-SEARS LIMITED retail or catalog store.

**WHEN ORDERING REPAIR PARTS, ALWAYS GIVE THE FOLLOWING INFORMATION AS SHOWN IN THIS LIST.**

- |                     |                         |
|---------------------|-------------------------|
| 1. The PART NUMBER  | 3. The PART DESCRIPTION |
| 2. The MODEL NUMBER | 4. The NAME OF ITEM—    |
| 358.352030          | Chain Saw               |
| 358.352060          |                         |
| 358.352070          |                         |

If the parts you need are not stocked locally, your order will be electronically transmitted to a Sears Repair Parts Distribution center for expedited handling.



When you buy merchandise from Sears you get an extra something that nobody else can offer . . . Sears Service.

Across town or across the country, Sears Service follows you, providing trustworthy, competent service technicians using only Sears specified factory parts.

**TOTAL-TESTED**  
for Quality and Dependability

Chain Saws bearing this label undergo our toughest testing program ever

- ✓ Parts are inspected to meet rigid quality control standards
- ✓ Each saw is started and tuned electronically before it's packed to insure dependability
- ✓ Another quality check: saws are randomly selected and re-inspected
- ✓ Professional woodcutters performance-test our saws under actual working conditions