

Operator's Manual

CRAFTSMAN®

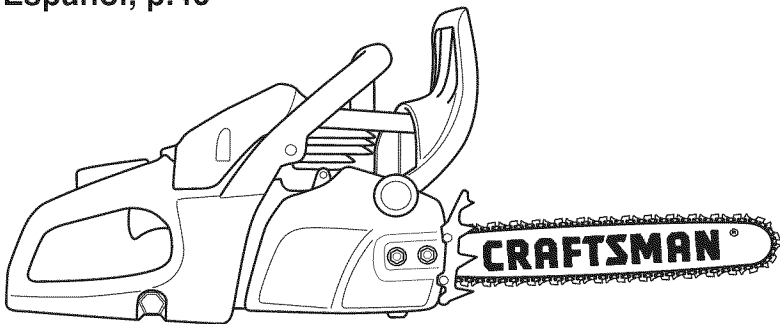
PRO SERIES

2.3 cu. in./38cc 2-Cycle GASOLINE CHAIN SAW

Model No.
358.381600 — 16 in. Bar

- Safety
- Assembly
- Operation
- Maintenance
- Parts List
- Español, p.40

SIM-PUL
TECHNOLOGY



WARNING:

Read and follow all Safety Rules and Operating Instructions before first use of this product.



For answers to your questions about this product:
Call 7 am-7 pm, Mon-Sat; Sun, 10 am-7 pm
(Hours listed are Central Time)

1-800-235-5878

Sears Brands Management Corporation, Hoffman Estates, IL 60179 U.S.A.

115704627

Rev. B 7/7/14 KAP

P02138MC

TABLE OF CONTENTS

Warranty Statement	2	Working Techniques	21
Repair Protection Agreements	3	Maintenance	25
Introduction	8	Troubleshooting Table	28
What is What?	9	Technical Data	30
General Safety Precautions	10	Emission Control Warranty Statement	31
Assembly	17	American Standard Safety Precautions	32
Fuel Handling	18	Parts List	34
Starting and Stopping	20	Spanish	40
		Parts & Ordering	Back Cover

WARRANTY STATEMENT

CRAFTSMAN TWO YEAR FULL WARRANTY

FOR TWO YEARS from the date of purchase, this product is warranted against any defects in material or workmanship. A defective product will receive free repair or replacement if repair is unavailable.

ADDITIONAL LIMITED WARRANTY ON ENGINE CRANKSHAFT

FOR THE THIRD THROUGH TENTH YEAR from date of purchase, the engine crankshaft in this product is warranted against any defects in material or workmanship. With proof of purchase, a defective engine crankshaft will be replaced. This additional warranty covers only the engine crankshaft, and does not apply to any other engine component. You must pay the labor cost of crankshaft installation.

For warranty coverage details to obtain free repair or replacement, visit the website: www.craftsman.com

This warranty covers ONLY defects in material and workmanship.

Warranty coverage does NOT include:

- Expendable items that can wear out from normal use within the warranty period, including but not limited to chain bar, chain, filters or spark plug.
- Product damage resulting from user attempts at product modification or repair or caused by product accessories.
- Repairs necessary because of accident or failure to operate or maintain the product according to all supplied instructions.
- Preventive maintenance, or repairs necessary due to improper fuel type, fuel mixture, contaminated or stale fuel.

This warranty is void if this product is ever used while providing commercial services or if rented to another person.

This warranty gives you specific legal rights, and you may also have other rights which vary from state to state.

Sears Brands Management Corporation, Hoffman Estates, IL 60179

REPAIR PROTECTION AGREEMENTS

Congratulations on making a smart purchase. Your new Craftsman product is designed and manufactured for years of dependable operation. But like all products, it may require repair from time to time. That's when having a Repair Protection Agreement can save you money and aggravation.

Here's what the Repair Protection Agreement* includes:

- ✔ **Expert service** by our 10,000 professional repair specialists
- ✔ **Unlimited service and no charge** for parts and labor on all covered repairs
- ✔ **Product replacement** up to \$1500 if your covered product can't be fixed
- ✔ **Discount of 10%** from regular price of service and related installed parts not covered by the agreement; also, 10% off regular price of preventive maintenance check
- ✔ **Fast help by phone** - we call it Rapid Resolution - phone support from a Sears representative. Think of us as a "talking operator's manual".

Once you purchase the Repair Protection Agreement, a simple phone call is all that it takes for you to schedule service. You can call anytime day or night, or schedule a service appointment online.

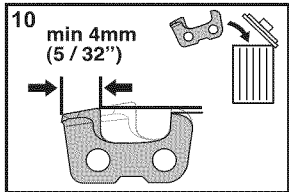
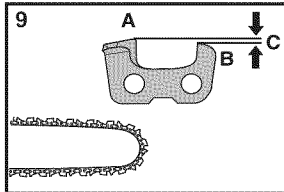
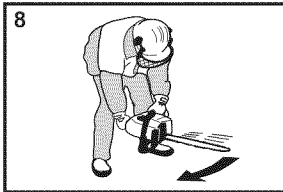
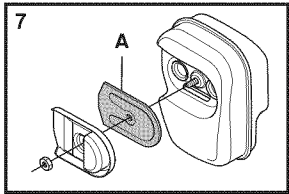
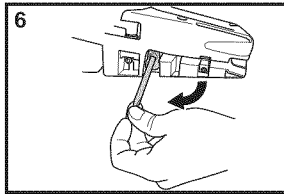
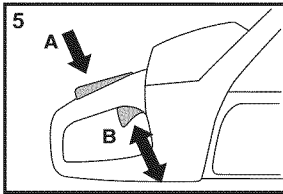
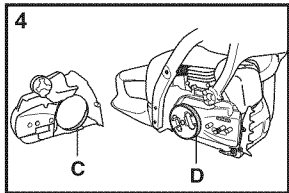
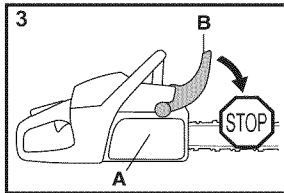
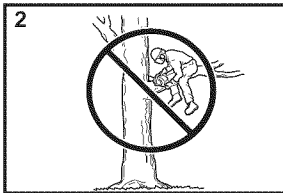
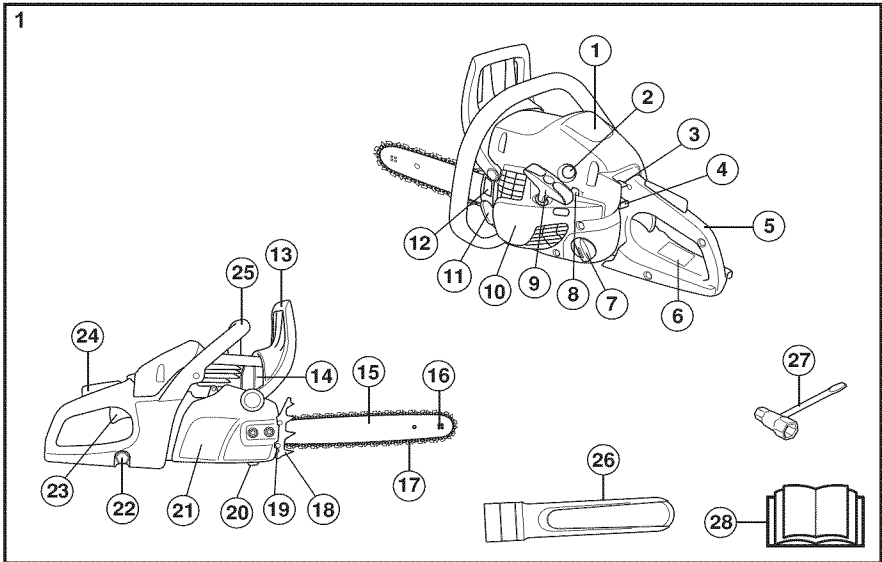
The Repair Protection Agreement is a risk-free purchase. If you cancel for any reason during the product warranty period, we will provide a full refund. Or, a pro-rated refund anytime after the product warranty period expires. Purchase your Repair Protection Agreement today!

Some limitations and exclusions apply. For prices and additional information in the U.S.A. call 1-800-827-6655.

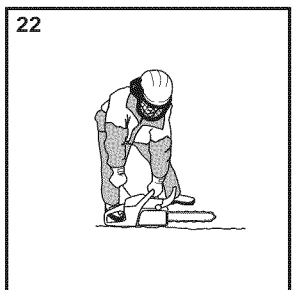
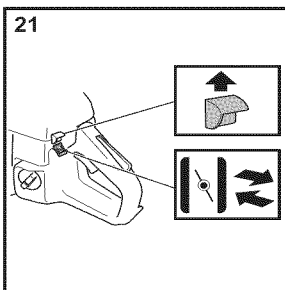
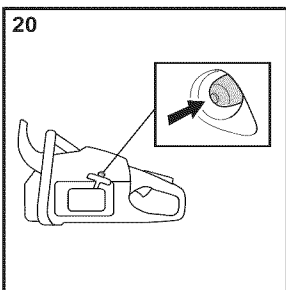
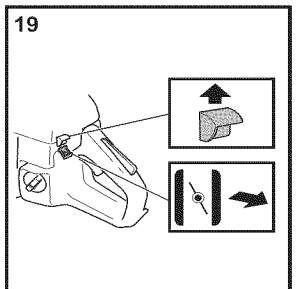
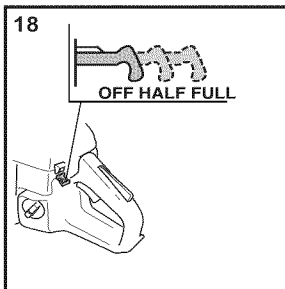
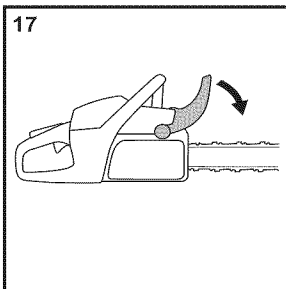
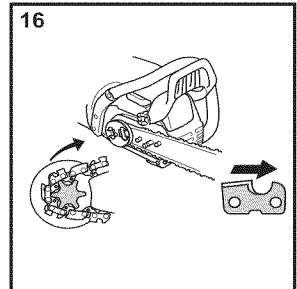
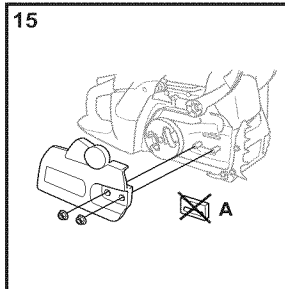
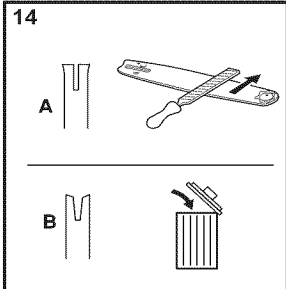
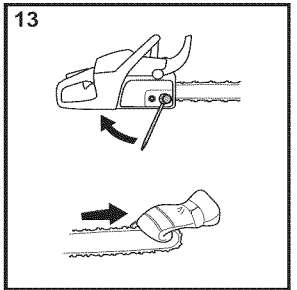
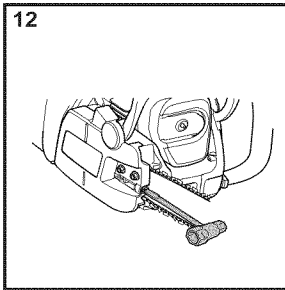
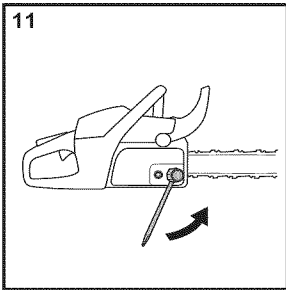
***Coverage in Canada varies on some items. For full details call Sears Canada at 1-800-361-6665.**

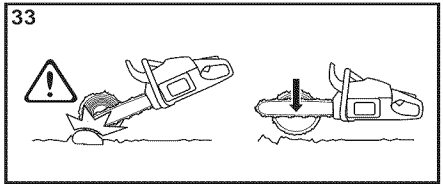
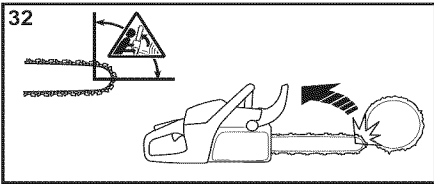
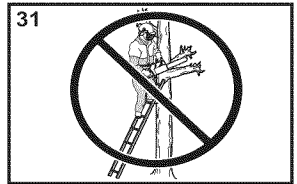
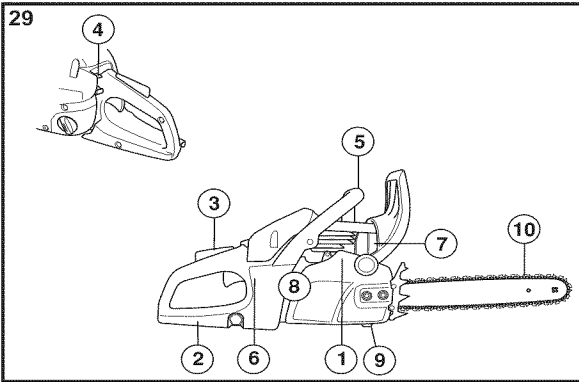
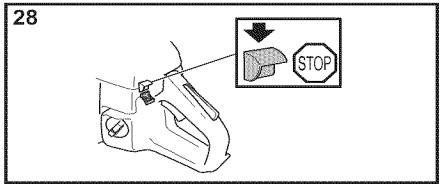
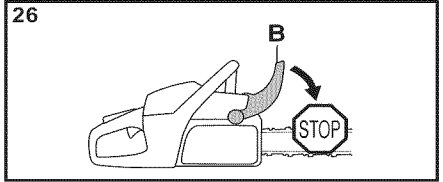
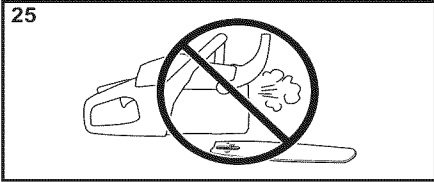
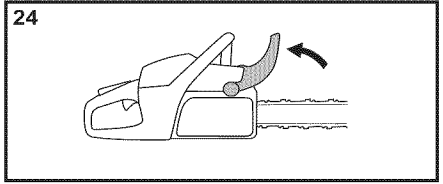
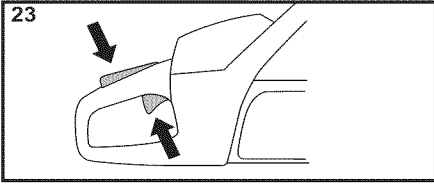
Sears Installation Service

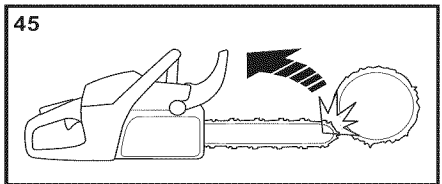
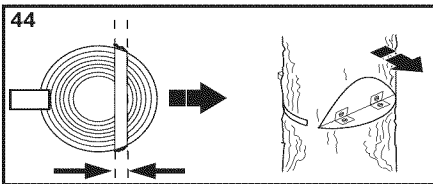
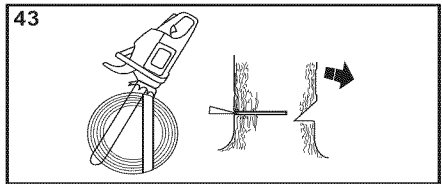
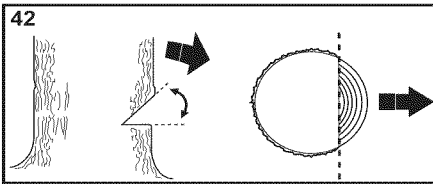
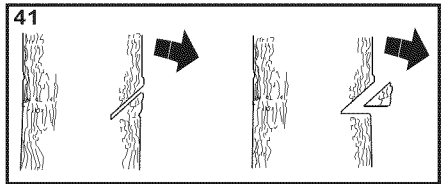
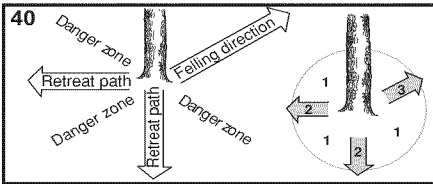
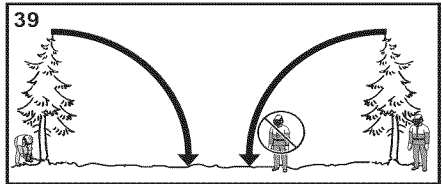
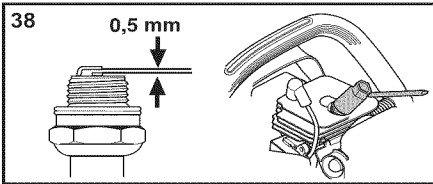
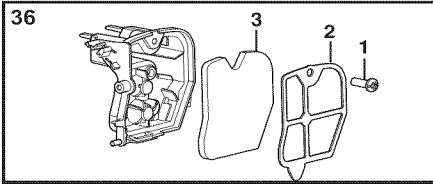
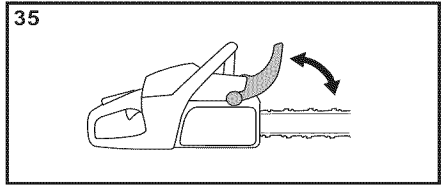
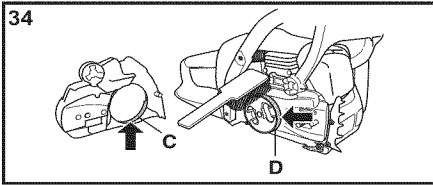
For Sears professional installation of home appliances, garage door openers, water heaters, and other major home items, in the U.S.A. or Canada call **1-888-331-4569.**



⚠ WARNING
 The engine exhaust from this product contains chemicals known to the State of California to cause cancer, birth defects or other reproductive harm.







INTRODUCTION

Symbols on the machine:

WARNING! Chain saws can be dangerous! Careless or improper use can result in serious or fatal injury to the operator or others.

Please read the operator's manual carefully and make sure you understand the instructions before using the machine.

Always wear:

- Approved protective helmet
- Approved hearing protection
- Protective goggles or a visor

Both of the operator's hands must be used to operate the chain saw.

Never operate a chain saw holding it with one hand only.



Contact of the guide bar tip with any object must be avoided.



WARNING! Tip contact may cause the guide bar to move suddenly upward and backward (so-called kickback), which may cause serious injury.



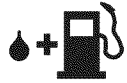
The engine is stopped by switching the ignition off using the stop switch.



Air purge.



Refuelling.

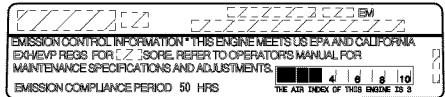


Chain oil fill.



Other symbols/decals on the machine refer to special certification requirements for certain markets.

You will find the following labels on your chain saw:



The Emissions Compliance Period referred to on the Emission Compliance label indicates the number of operating hours for which the engine has been shown to meet Federal emissions requirements.

Maintenance, replacement, or repair of the emission control devices and system may be performed by any nonroad engine repair establishment or individual.

WHAT IS WHAT?

What is what on the chain saw?

(1)

- 1 Cylinder cover
- 2 Air purge
- 3 Stop switch (Ignition on/off switch.)
- 4 Choke control/Start throttle lock
- 5 Rear handle with right hand guard
- 6 Information and warning decal
- 7 Fuel tank
- 8 Adjuster screws carburetor
- 9 Starter handle
- 10 Starter
- 11 Chain oil tank
- 12 Product and serial number plate
- 13 Chain tensioning screw
- 14 Throttle lockout (Prevents accidental operation of throttle trigger.)
- 15 Front handle
- 16 Front hand guard
- 17 Muffler
- 18 Guide bar
- 19 Bar tip sprocket
- 20 Saw chain
- 21 Bumper spike (Available as an accessory.)
- 22 Chain catcher
- 23 Clutch cover
- 24 Integrated combi-tool
- 25 Throttle trigger
- 26 Guide bar cover
- 27 Operator's manual
- 28 Combi-tool

GENERAL SAFETY PRECAUTIONS

Before using a new chain saw

- Please read this manual carefully.
- (1) - (45) refer to figures on p. 4-7.
- Check that the cutting equipment is correctly fitted and adjusted. See instructions under the heading Assembly.
- Refuel and start the chain saw. See the instructions under the headings Fuel Handling and Starting and Stopping.
- Do not use the chain saw until sufficient chain oil has reached the chain. See instructions under the heading Lubricating cutting equipment.
- Long-term exposure to noise can result in permanent hearing impairment. So always use approved hearing protection.



WARNING! Under no circumstances may the design of the machine be modified without the permission of the manufacturer. Always use genuine accessories. Non-authorized modifications and/or accessories can result in serious personal injury or the death of the operator or others. Your warranty may not cover damage or liability caused by the use of non-authorized accessories or replacement parts.



WARNING! A chain saw is a dangerous tool if used carelessly or incorrectly and can cause serious, even fatal injuries. It is very important that you read and understand the contents of this operator's manual.



WARNING! The inside of the muffler contain chemicals that may be carcinogenic. Avoid contact with these elements in the event of a damaged muffler.



WARNING! Long term inhalation of the engine's exhaust fumes, chain oil mist and dust from sawdust can represent a health risk.



WARNING! This machine produces an electromagnetic field during operation. This field may under some circumstances interfere with active or passive medical implants. To reduce the risk of serious or fatal injury, we recommend persons with medical implants to consult their physician and the medical implant manufacturer before operating this machine.



WARNING! When using a chain saw, a fire extinguisher should be available.



WARNING! Keep handles dry, clean and free of oil.



WARNING! Beware of carbon monoxide poisoning. Operate the chainsaw in well ventilated areas only.



WARNING! Do not attempt a pruning or limbing operation in a standing tree.

GENERAL SAFETY PRECAUTIONS

Important

IMPORTANT!

This chain saw for forest service is designed for forest work such as felling, limbing and cutting.

You should only use the saw with the bar and chain combinations we recommend in the chapter Technical data.

Never use the machine if you are fatigued, while under the influence of alcohol or drugs, medication or anything that could affect your vision, alertness, coordination or judgement.

Wear personal protective equipment. See instructions under the heading "Personal protective equipment".

Do not modify this product or use it if it appears to have been modified by others.

Never use a machine that is faulty. Carry out the checks, maintenance and service instructions described in this manual. Some maintenance and service measures must be carried out by trained and qualified specialists. See instructions under the heading Maintenance.

When not in use, always store the integrated combi-tool in the tool-holder. Do not use the tool-holder for other purposes than to hold the supplied combi-tool, since the tool-holder is exclusively designed for this purpose.

Never use any accessories other than those recommended in this manual. See instructions under the headings Cutting equipment and Technical data.

CAUTION! Always wear protective glasses or a face visor to reduce the risk of injury from thrown objects. A chain saw is capable of throwing objects, such as wood chips, small pieces of wood, etc, at great force. This can result in serious injury, especially to the eyes.



WARNING! Running an engine in a confined or badly ventilated area can result in death due to asphyxiation or carbon monoxide poisoning.



WARNING! Faulty cutting equipment or the wrong combination of bar and saw chain increases the risk of kickback! Only use the bar/saw chain combinations we recommend, and follow the filing instructions. See instructions under the heading Technical data.

Always use common sense (2)

It is not possible to cover every conceivable situation you can face when using a chain saw. Always exercise care and use your common sense. Avoid all situations which you consider to be beyond your capability. If you still feel uncertain about operating procedures after reading these instructions, you should consult an expert before continuing. Do not hesitate to contact your dealer or us if

you have any questions about the use of the chain saw. We will willingly be of service and provide you with advice as well as help you to use your chain saw both efficiently and safely. Attend a training course in chain saw usage if possible. Your dealer, forestry school or your library can provide information about which training materials and courses are available. Work is constantly in progress to improve the design and technology - improvements that increase your safety and efficiency. Visit your dealer regularly to see whether you can benefit from new features that have been introduced.

Personal protective equipment



WARNING! Most chain saw accidents happen when the chain touches the operator. You must use approved personal protective equipment whenever you use the machine. Personal protective equipment cannot eliminate the risk of injury but it will reduce the degree of injury if an accident does happen. Ask your dealer for help in choosing the right equipment.

- Approved protective helmet
- Hearing protection
- Protective goggles or a visor
- Gloves with saw protection
- Trousers with saw protection
- Boots with saw protection, steel toe-cap and non-slip sole
- Always have a first aid kit nearby.
- Fire Extinguisher and Shovel

Generally clothes should be close-fitting without restricting your freedom of movement.

IMPORTANT! Sparks can come from the muffler, the bar and chain or other sources. Always have fire extinguishing tools available if you should need them. Help prevent forest fires.

Machine's safety equipment

In this section the machine's safety features and their function are explained. For inspection and maintenance see instructions under the heading Checking, maintaining and servicing chain saw safety equipment. See instructions under the heading, What is what?, to find where these parts are located on your machine.

The life span of the machine can be reduced and the risk of accidents can increase if machine maintenance is not carried out correctly and if service and/or repairs are not carried out professionally. If you need further information please contact your nearest servicing dealer.

GENERAL SAFETY PRECAUTIONS



WARNING! Never use a machine with defective safety components. Safety equipment must be inspected and maintained. See instructions under the heading Checking, maintaining and servicing chain saw safety equipment. If your machine does not pass all the checks, take the saw to a servicing dealer for repair.

Chain brake and front hand guard

Your chain saw is equipped with a chain brake that is designed to stop the chain if you get a kickback. The chain brake reduces the risk of accidents, but only you can prevent them.

Take care when using your saw and make sure the kickback zone of the bar never touches any object.

- The chain brake (A) can either be activated manually (by your left hand) or automatically by the inertia release mechanism. (3)
- The brake is applied when the front hand guard (B) is pushed forwards. (3)
- This movement activates a spring-loaded mechanism that tightens the brake band (C) around the engine drive system (D) (clutch drum). (4)
- The front hand guard is not designed solely to activate the chain brake. Another important feature is that it reduces the risk of your left hand hitting the chain if you lose grip of the front handle.
- The chain brake must be engaged when the chain saw is started to prevent the saw chain from rotating.
- Use the chain brake as a "parking brake" when starting and when moving over short distances, to reduce the risk of moving chain accidentally hitting your leg or anyone or anything close by.
- To release the chain brake pull the front hand guard backwards, towards the front handle.
- Kickback can be very sudden and violent. Most kickbacks are minor and do not always activate the chain brake. If this happens you should hold the chain saw firmly and not let go.
- The way the chain brake is activated, either manually or automatically by the inertia release mechanism, depends on the force of the kickback and the position of the chain saw in relation to the object that the kickback zone of the bar strikes.

If you get a violent kickback while the kickback zone of the bar is farthest away from you the chain brake is designed to be activated by the inertia in the kickback direction.

If the kickback is less violent or the kickback zone of the bar is closer to you the chain brake is designed to be activated manually by the movement of your left hand.

- In the felling position the left hand is in a position that makes manual activation of the chain brake impossible. With this type of grip, that is when the left hand is placed so that it cannot affect the movement of the front hand guard, the chain brake can only be activated by the inertia action. (8)

Will my hand always activate the chain brake during a kickback?

No. It takes a certain force to move the hand guard forward. If your hand only lightly touches the front guard or slips over it, the force may not be enough to trigger the chain brake. You should also maintain a firm grip of the chain saw handles while working. If you do and experience a kickback, your hand may never leave the front handle and will not activate the chain brake, or the chain brake will only activate after the saw has swung around a considerable distance. In such instances, the chain brake might not have enough time to stop the saw chain before it touches you.

There are also certain positions in which your hand cannot reach the front hand guard to activate the chain brake; for example, when the saw chain is held in felling position.

Will my inertia activated chain brake always activate during kickback in the event of a kickback?

No. First your brake must be in working order. Testing the brake is simple, see instructions under the heading Checking, maintaining and servicing chain saw safety equipment. We recommend you do before you begin each work session. Second the kickback must be strong enough to activate the chain brake. If the chain brake is too sensitive it would activate all the time which would be a nuisance.

Will my chain brake always protect me from injury in the event of a kickback?

No. First, the chain brake must be in working order to provide the intended protection. Second, it must be activated during the kickback as described above to stop the saw chain. Third, the chain brake may be activated but if the bar is too close to you the brake might not have enough time to slow down and stop the chain before the chain saw hits you.

Only you and proper working technique can eliminate kickback and its danger.

Throttle lockout

The throttle lockout is designed to prevent accidental operation of the throttle control. When you press the lock (A) (i.e. when you grasp the handle) it releases the throttle control (B). When you release the handle the throttle control and the throttle lockout both move back to their original positions. This arrangement means that the throttle control is automatically locked at the idle setting. (5)

GENERAL SAFETY PRECAUTIONS

Chain catcher

The chain catcher is designed to catch the chain if it snaps or jumps off. This should not happen if the chain is properly tensioned (see instructions under the heading Assembly) and if the bar and chain are properly serviced and maintained (see instructions under the heading General working instructions).

Right hand guard

Apart from protecting your hand if the chain jumps or snaps, the right hand guard stops branches and twigs from interfering with your grip on the rear handle.

Vibration damping system

Your machine is equipped with a vibration damping system that is designed to reduce vibration and make operation easier.

The machine's vibration damping system reduces the transfer of vibration between the engine unit/cutting equipment and the machine's handle unit. The body of the chain saw, including the cutting equipment, is insulated from the handles by vibration damping units.

Cutting hardwoods (most broadleaf trees) creates more vibration than cutting softwoods (most conifers). Cutting with cutting equipment that is blunt or faulty (wrong type or badly sharpened) will increase the vibration level.



WARNING! Overexposure to vibration can lead to circulatory damage or nerve damage in people who have impaired circulation. Contact your doctor if you experience symptoms of overexposure to vibration. Such symptoms include numbness, loss of feeling, tingling, pricking, pain, loss of strength, changes in skin colour or condition. These symptoms normally appear in the fingers, hands or wrists. These symptoms may be increased in cold temperatures.

Stop switch

Use the stop switch to switch off the engine. (28)

Muffler

The muffler is designed to reduce noise levels and to direct exhaust fumes away from the user.



WARNING! The exhaust fumes from the engine are hot and may contain sparks which can start a fire. Never start the machine indoors or near combustible material!

In areas with a hot, dry climate there is a high risk of fires. These areas are sometimes subject to government rules requiring among other things the muffler must be equipped with an approved type of spark arrestor screen (A). (7)

CAUTION! The muffler gets very hot during and after use. This also applies during idling. Be aware of the fire hazard, especially when working near flammable substances and/or vapours.



WARNING! Never use a saw without a muffler, or with a damaged muffler. A damaged muffler may substantially increase the noise level and the fire hazard. Keep fire fighting equipment handy. If a spark arrestor screen is required in your area, never use the saw without or with a broken spark arrestor screen.

Cutting equipment

This section describes how to choose and maintain your cutting equipment in order to:

- Reduce the risk of kickback.
- Reduce the risk of the saw chain breaking or jumping off the bar.
- Obtain optimal cutting performance.
- Extend the life of cutting equipment.
- Avoid increasing vibration levels.

General rules

- **Only use cutting equipment recommended by us!** See instructions under the heading Technical data.
- **Keep the chain's cutting teeth properly sharpened! Follow our instructions and use the recommended file gauge.** A damaged or badly sharpened chain increases the risk of accidents.
- **Maintain the correct depth gauge setting! Follow our instructions and use the recommended depth gauge clearance.** Too large a clearance increases the risk of kickback.
- **Keep the chain properly tensioned!** If the chain is slack it is more likely to jump off and lead to increased wear on the bar, chain and drive sprocket.
- **Keep cutting equipment well lubricated and properly maintained!** A poorly lubricated chain is more likely to break and lead to increased wear on the bar, chain and drive sprocket.

GENERAL SAFETY PRECAUTIONS

Cutting equipment designed to reduce kickback



WARNING! Faulty cutting equipment or the wrong combination of bar and saw chain increases the risk of kickback! Only use the bar/saw chain combinations we recommend, and follow the filing instructions. See instructions under the heading **Technical data**.

The only way to avoid kickback is to make sure that the kickback zone of the bar never touches anything.

By using cutting equipment with "built-in" kickback reduction and keeping the chain sharp and well-maintained you can reduce the effects of kickback.

Guide bar

The smaller the tip radius the lower the chance of kickback.

Saw chain

A chain is made up of a number of links, which are available in standard and low-kickback versions.

IMPORTANT! No saw chain design eliminates the danger of kickback.



WARNING! Any contact with a rotating saw chain can cause extremely serious injuries.

Some terms that describe the bar and chain

To maintain the safety features of the cutting equipment, you should replace a worn or damaged bar or chain with a recommended bar and chain combination. See instructions under the heading **Technical Data** for a list of replacement bar and chain combinations we recommend.

Guide bar

- Length (inches/cm)
- Number of teeth on bar tip sprocket (T).
- Chain pitch (inches). The spacing between the drive links of the chain must match the spacing of the teeth on the bar tip sprocket and drive sprocket.
- Number of drive links. The number of drive links is determined by the length of the bar, the chain pitch and the number of teeth on the bar tip sprocket.
- Bar groove width (inches/mm). The groove in the bar must match the width of the chain drive links.
- Chain oil hole and hole for chain tensioner. The bar must be matched to the chain saw design.

Saw chain

- Chain pitch (inches)
- Drive link width (mm/inches)
- Number of drive links.

Sharpening your chain and adjusting depth gauge setting



WARNING! Always wear gloves, when working with the chain, in order to protect your hands from injury.

General information on sharpening cutting teeth

- Never use a blunt chain. When the chain is blunt you have to exert more pressure to force the bar through the wood and the chips will be very small. If the chain is very blunt it will produce wood powder and no chips or shavings.
- A sharp chain eats its way through the wood and produces long, thick chips or shavings.
- The cutting part of the chain is called the cutter and consists of a cutting tooth (A) and the depth gauge (B). The cutters cutting depth is determined by the difference in height between the two (depth gauge setting (C)). (9)

When you sharpen a cutting tooth there are four important factors to remember.

- 1 Filing angle
- 2 Cutting angle
- 3 File position
- 4 Round file diameter

It is very difficult to sharpen a chain correctly without the right equipment. We recommend that you use our file gauge. This will help you obtain the maximum kickback reduction and cutting performance from your chain.

See instructions under the heading **Technical data** for information about sharpening your chain.



WARNING! Departure from the sharpening instructions considerably increases the risk of kickback.

Sharpening cutting teeth

To sharpen cutting teeth you will need a round file and a file gauge. See instructions under the heading **Technical data** for information on the size of file and gauge that are recommended for the chain fitted to your chain saw.

- Switch the engine off. (28)
- Check that the chain is correctly tensioned. A slack chain will move sideways, making it more difficult to sharpen correctly.
- Always file cutting teeth from the inside face. Reduce the pressure on the return stroke. File all the teeth on one side first, then turn the chain saw and file the teeth on the other side.

File all the teeth to the same length. When the length of the cutting teeth is reduced to 5/32 inch (4 mm) the chain is worn out and should be replaced. (10)

GENERAL SAFETY PRECAUTIONS

General advice on adjusting depth gauge setting

- When you sharpen the cutting tooth (A) the depth gauge setting (C) will decrease. To maintain optimal cutting performance the depth gauge (B) has to be filed down to achieve the recommended depth gauge setting. See instructions under the heading Technical data to find the correct depth gauge setting for your particular chain.



WARNING! The risk of kickback is increased if the depth gauge setting is too large!

Adjustment of depth gauge setting

- The cutting teeth should be newly sharpened before adjusting the depth gauge setting. We recommend that you adjust the depth gauge setting every third time you sharpen the cutting teeth. NOTE! This recommendation assumes that the length of the cutting teeth is not reduced excessively.
- You will need a flat file and a depth gauge tool. We recommend that you use our depth gauge tool to achieve the correct depth gauge setting and bevel for the depth gauge.
- Place the depth gauge tool over the chain. Detailed information regarding the use of the depth gauge tool, will be found on the package for the depth gauge tool. Use the flat file to file off the tip of the depth gauge that protrudes through the depth gauge tool. The depth gauge setting is correct when you no longer feel resistance as you draw the file along the depth gauge tool.

Tensioning the chain



WARNING! A slack chain may jump off the bar and cause serious or even fatal injury.



WARNING! Always wear approved protective gloves. Even a non-moving chain can cause serious cuts to yourself or persons you bump into with an exposed chain.

The more you use a chain the longer it becomes. It is therefore important to adjust the chain regularly to take up the slack.

Check the chain tension every time you refuel. NOTE! A new chain has a running-in period during which you should check the tension more frequently.

Tension the chain as tightly as possible, but not so tight that you cannot pull it round freely by hand. (13)

- Switch the engine off. (28)
- Undo the bar nuts that hold the clutch cover/chain brake. Use the combi-tool integrated in the rear handguard or one with corresponding dimensions

(contact your servicing dealer (retailer) for a replacement tool). Then tighten the barnuts by hand as tight as you can. (6) (11)

- Raise the tip of the bar and stretch the chain by tightening the chain tensioning screw using the combi-tool. Tighten the chain until it does not sag from the underside of the bar. (12)
- Use the combi-tool to tighten the bar nuts while lifting the tip of the bar at the same time. Check that you can pull the chain round freely by hand and that it does not sag from the underside of the bar. (13)

Lubricating cutting equipment



WARNING! Poor lubrication of cutting equipment may cause the chain to snap, which could lead to serious, even fatal injuries.

Chain oil

Chain oil must demonstrate good adhesion to the chain and also maintain its flow characteristics regardless of whether it is warm summer or cold winter weather.

Never use waste oil! Using waste oil can be dangerous to you and damage the machine and environment.

IMPORTANT! When using vegetable based saw chain oil, dismantle and clean the groove in the bar and saw chain before long-term storage. Otherwise there is a risk of the saw chain oil oxidizing, which will result in the saw chain becoming stiff and the bar tip sprocket jamming.

Filling with chain oil

- All our chain saws have an automatic chain lubrication system. On some models the oil flow is also adjustable.
- The saw chain oil tank and the fuel tank are designed so that the fuel runs out before the saw chain oil.

However, this safety feature requires that you use the right sort of chain oil (if the oil is too thin it will run out before the fuel), and that you adjust the carburetor as recommended (a lean mixture may mean that the fuel lasts longer than the oil) and that you also use the recommended cutting equipment (a bar that is too long will use more chain oil).

Checking chain lubrication

- Check the chain lubrication each time you refuel. See instructions under the heading Lubricating the bar tip sprocket.

Aim the tip of the bar at a light coloured surface about 20 cm (8 inches) away. After 1 minute running at 3/4 throttle you should see a distinct line of oil on the light surface.

If the chain lubrication is not working:

- Check that the oil channel in the bar is not obstructed. Clean if necessary.

GENERAL SAFETY PRECAUTIONS

- Check that the groove in the edge of the bar is clean. Clean if necessary.
- Check that the bar tip sprocket turns freely and that the lubricating hole in the tip sprocket is not blocked. Clean and lubricate if necessary.

If the chain lubrication system is still not working after carrying out the above checks and associated measures you should contact your servicing dealer.

Chain drive sprocket

The clutch drum is fitted with a Spur sprocket (the chain sprocket is welded on the drum (D)). (4)

Regularly check the degree of wear on the drive sprocket. Replace if wear is excessive. Replace the drive sprocket whenever you replace the chain.

Checking wear on cutting equipment

Check the chain daily for:

- Visible cracks in rivets and links.
- Whether the chain is stiff.
- Whether rivets and links are badly worn.

Replace the saw chain if it exhibits any of the points above.

We recommend you compare the existing chain with a new chain to decide how badly the existing chain is worn.

When the length of the cutting teeth has worn down to only 5/32 inch (4 mm) the chain must be replaced. (10)

Guide bar

Check regularly:

- Whether there are burrs on the edges of the bar (A). Remove these with a file if necessary. (14)
- Whether the groove in the bar has become badly worn (B). Replace the bar if necessary. (14)
- Whether the tip of the bar is uneven or badly worn. If a hollow forms on the underside of the bar tip this is due to running with a slack chain.
- To prolong the life of the bar you should turn it over daily.



WARNING! Most chain saw accidents happen when the chain touches the operator.

Wear personal protective equipment. See instructions under the heading "Personal protective equipment".

Do not tackle any job that you feel you are not adequately trained for. See instructions under the headings Personal protective equipment, How to avoid kickback, Cutting equipment and General working instructions.

Avoid situations where there is a risk of kickback. See instructions under the heading Machine's safety equipment.

Use the recommended protective equipment and check its condition. See instructions under the heading General working instructions.

Check that all the chain saw safety features are working. See instructions under the headings General working instructions and General safety precautions.

Fitting the bar and chain



WARNING! Switch off the engine before carrying out any checks or maintenance. The stop switch automatically returns to the start position. In order to prevent unintentional starting, the spark plug cap must be removed from the spark plug when assembling, checking and/or performing maintenance.

Always wear gloves, when working with the chain, in order to protect your hands from injury.



WARNING: If received assembled, ensure your unit is properly assembled and all fasteners are secure.

Check that the chain brake is in disengaged position by moving the front hand guard towards the front handle. **(24)**

Undo the bar nuts that hold the clutch cover/chain brake. Use the combi-tool integrated in the rear handguard or one with corresponding dimensions (contact your servicing dealer (retailer) for a replacement tool). Take off the transportation ring (A). **(6) (15)**

Fit the bar over the bar bolts. Place the bar in its rearmost position. Place the chain over the drive sprocket locate it in the groove on the bar. Begin on the top edge of the bar. Make sure that the edges of the cutting links are facing forward on the top edge of the bar. **(16)**

Fit the clutch cover (chain brake) and locate the chain adjuster pin in the cut-out in the bar. Check that the drive links of the chain fit correctly on the drive sprocket and that the chain is in the groove on the bar. Tighten the bar nut finger-tight. **(16)**

Tension the chain by turning the chain tensioning screw clockwise using the combi-tool. The chain should be tensioned until it does not sag from the underside of the bar. **(12)**

The chain is correctly tensioned when it does not sag from the underside of the bar, but can still be turned easily by hand. Hold up the bar tip and tighten the bar nuts with the combi-tool. **(13)**

When fitting a new chain, the chain tension has to be checked frequently until the chain is run-in. Check the chain tension regularly. A correctly tensioned chain ensures good cutting performance and long life.

FUEL HANDLING

Fuel

Note! The machine is equipped with a two-stroke engine and must always be run using a mixture of gasoline and two-stroke oil. It is important to accurately measure the amount of oil to be mixed to ensure that the correct mixture is obtained. When mixing small amounts of fuel, even small inaccuracies can drastically affect the ratio of the mixture.



WARNING! Always ensure there is adequate ventilation when handling fuel.

Gasoline

- Use good quality unleaded gasoline.
- The lowest recommended octane grade is 87 ((RON+MON)/2). If you run the engine on a lower octane grade than 87 so-called knocking can occur. This gives rise to a high engine temperature and increased bearing load, which can result in serious engine damage.
- When working with continuous high revs (e.g. limbing) a higher octane is recommended.

Running-in

Avoid running at a too high speed for extended periods during the first 10 hours.

Two-stroke oil

- For best results and performance use synthetic two-stroke engine oil, which is specially formulated for air-cooled two-stroke engines.
- Never use two-stroke oil intended for water-cooled engines, sometimes referred to as outboard oil (rated TCW).
- Never use oil intended for four-stroke engines.

Mixing ratio

50:1 (2%) for all engines.

Gasoline, litre	Two-stroke oil, litre
	2% (50:1)
5	0,10
10	0,20
15	0,30
20	0,40
US gallon	US fl. oz.
1	2 1/2
2 1/2	6 1/2
5	12 7/8

Mixing

- Always mix the gasoline and oil in a clean container intended for fuel.
- Always start by filling half the amount of the gasoline to be used. Then add the entire amount of oil. Mix (shake) the fuel mixture. Add the remaining amount of gasoline.
- Mix (shake) the fuel mixture thoroughly before filling the machine's fuel tank.
- Do not mix more than one month's supply of fuel at a time.
- If the machine is not used for some time the fuel tank should be emptied and cleaned.

Chain oil

- We recommend the use of special oil (chain oil) with good adhesion characteristics.
- Never use waste oil. This results in damage to the oil pump, the bar and the chain.
- It is important to use oil of the right grade (suitable viscosity range) to suit the air temperature.
- In temperatures below 32°F (0°C) some oils become too viscous. This can overload the oil pump and result in damage to the oil pump components.
- Contact your service agent when choosing chain oil.

Fueling



WARNING! Taking the following precautions, will lessen the risk of fire:

Do not smoke and do not place any hot objects in the vicinity of fuel.

Always stop the engine and let it cool for a few minutes before refuelling.

When refuelling, open the fuel cap slowly so that any excess pressure is released gently.

Tighten the fuel cap carefully after refuelling.

Always move the machine away from the refuelling area and source before starting.

Clean the area around the fuel cap. Clean the fuel and chain oil tanks regularly. The fuel filter must be replaced at least once a year. Contamination in the tanks causes malfunction. Make sure the fuel is well mixed by shaking the container before refuelling. The capacities of the chain oil tank and fuel tank are carefully matched. You should therefore always fill the chain oil tank and fuel tank at the same time.

FUEL HANDLING



WARNING! Fuel and fuel vapor are highly flammable. Take care when handling fuel and chain oil. Be aware of the risks of fire, explosion and those associated with inhalation.

Fuel safety

- Never refuel the machine while the engine is running.
- Make sure there is plenty of ventilation when refuelling or mixing fuel (gasoline and 2-stroke oil).
- Move the machine at least 10 ft (3 m) from the refuelling point before starting it.
- Never start the machine:
 - 1 If you have spilled fuel or chain oil on the machine. Wipe off the spillage and allow remaining fuel to evaporate.
 - 2 If you have spilled fuel on yourself or your clothes, change your clothes. Wash any part of your body that has come in contact with fuel. Use soap and water.
 - 3 If the machine is leaking fuel. Check regularly for leaks from the fuel cap and fuel lines.



WARNING! Never use a machine with visible damage to the spark plug guard and ignition cable. A risk of sparking arises, which can cause a fire.

Transport and storage

- Always store the chain saw and fuel so that there is no risk of leakages or fumes coming into contact with sparks or naked flames from electrical equipment, electric motors, relays/switches, boilers and the like.
- Always store fuel in an approved container designed for that purpose.
- For longer periods of storage or for transport of the chain saw, the fuel and chain oil tanks should be emptied. Ask where you can dispose of waste fuel and chain oil at your local gas station.
- Ensure the machine is cleaned and that a complete service is carried out before long-term storage.
- The guide bar cover must always be fitted to the cutting attachment when the machine is being transported or in storage, in order to prevent accident contact with the sharp chain. Even a non-moving chain can cause serious cuts to yourself or persons you bump into with an exposed chain.
- Secure the machine during transport.

Long-term storage

Empty the fuel/oil tanks in a well ventilated area. Store the fuel in approved cans in a safe place. Fit the guide bar cover. Clean the machine. See instructions under the heading Maintenance schedule.

STARTING AND STOPPING

Starting and stopping



WARNING! Note the following before starting:

The chain brake must be engaged when the chain saw is started to reduce the chance of contact with the moving chain during starting.

Never start a chain saw unless the bar, chain and all covers are fitted correctly. Otherwise the clutch can come loose and cause personal injuries.

Place the machine on firm ground. Make sure you have a secure footing and that the chain cannot touch anything.

Keep people and animals well away from the working area.

Note! Reactivate the chain brake by pulling the front hand guard back (marked "PULL BACK TO RESET") towards the front handle. The chain saw is now ready for use. (24)

There is a simplified start reminder with illustrations to describe each step on the rear edge of the saw.



Warm engine

Use the same procedure as for starting a cold engine but without setting the choke control in the choke position. Set the throttle to the start position by pulling out the blue choke control to the choke position and then pushing it in again. (21)



WARNING! Long term inhalation of the engine's exhaust fumes, chain oil mist and dust from sawdust can represent a health risk.

Cold engine

Starting: The chain brake should be activated when starting the chain saw. Activate the chain brake by pushing the front hand guard forwards. (26)

Air purge: Press the air purge repeatedly until fuel begins to fill the bulb. The bulb need not be completely filled. (20)

Choke: Pull the blue choke/fast idle lever out to the full extent (to the FULL CHOKE position). When the choke/fast idle lever is pulled out to the full extent, the correct throttle setting is set automatically. (18)

Start throttle: The correct choke/start throttle setting is obtained by moving the control to the choke position. (19)

Starting

Grip the front handle with your left hand. Hold the chain saw on the ground by placing your right foot through the rear handle. (22)

Pull the starter handle with your right hand and pull out the starter cord slowly until you feel a resistance (as the starter pawls engage) then pull firmly and rapidly until the engine starts. **Never wrap the starter cord around your hand**

CAUTION! Do not pull the starter cord all the way out and do not let go of the starter handle when the cord is fully extended. This can damage the machine.

Push in the choke control to the "HALF choke" setting as soon as the engine fires which can be heard through a puff sound. (18)

Keep on pulling the cord powerfully until the engine starts. As the chain brake is still engaged the speed of the engine must be set to idling as soon as possible, this is achieved by quickly pressing the throttle trigger once. This prevents unnecessary wear to the clutch, clutch drum and brake band. (23)

- Never start a chain saw unless the bar, chain and all covers are fitted correctly. See instructions under the heading Assembly. Without a bar and chain attached to the chain saw the clutch can come loose and cause serious injury. (25)
- The chain brake should be activated when starting. See instructions under the heading Start and stop. Do not drop start. This method is very dangerous because you may lose control of the saw. (26)
- Never start the machine indoors. Exhaust fumes can be dangerous if inhaled.
- Observe your surroundings and make sure that there is no risk of people or animals coming into contact with the cutting equipment.
- Always hold the saw with both hands. The right hand should be on the rear handle, and the left hand on the front handle. All people, whether right or left handed, should use this grip. Use a firm grip with thumbs and fingers encircling the chain saw handles. (27)

Stopping

Stop the engine by pressing down the stop button. (28)

DIFFICULT STARTING (or starting a flooded engine)

The engine may be flooded with too much fuel if it has not started after 10 pulls.

Flooded engines can be cleared of excess fuel by pushing the choke/fast idle lever in completely (to the OFF/CHOKE position) and then following the warm engine starting procedure. Ensure the ON/STOP switch is in the ON position.

Starting could require pulling the starter rope handle many times depending on how badly the unit is flooded. If engine fails to start, refer to the TROUBLESHOOTING TABLE or call 1-800-235-5878.

WORKING TECHNIQUES

Before use: (29)

- 1 Check that the chain brake works correctly and is not damaged.
- 2 Check that the rear right hand guard is not damaged.
- 3 Check that the throttle lockout works correctly and is not damaged.
- 4 Check that the stop switch works correctly and is not damaged.
- 5 Check that all handles are free from oil.
- 6 Check that the anti vibration system works and is not damaged.
- 7 Check that the muffler is securely attached and not damaged.
- 8 Check that all parts of the chain saw are tightened correctly and that they are not damaged or missing.
- 9 Check that the chain catcher is in place and not damaged.
- 10 Check the chain tension.

General working instructions

IMPORTANT!

This section describes basic safety rules for using a chain saw. This information is never a substitute for professional skills and experience. If you get into a situation where you feel unsafe, stop and seek expert advice. Contact your chain saw dealer, service agent or an experienced chain saw user. Do not attempt any task that you are not sure you can handle!

Before using a chain saw you must understand the effects of kickback and how to avoid them. See instructions under the heading *How to avoid kickback*.

Before using a chain saw you must understand the difference between cutting with the top and bottom edges of the bar. See instructions under the headings *How to avoid kickback* and *Machine's safety equipment*.

Wear personal protective equipment. See instructions under the heading *"Personal protective equipment"*.

Basic safety rules

- 1 Look around you:
 - To ensure that people, animals or other things cannot affect your control of the machine.
 - To make sure that none of the above might come within reach of your saw or be injured by falling trees.

CAUTION! Follow the instructions above, but do not use a chain saw in a situation where you cannot call for help in case of an accident.

- 2 Do not use the machine in bad weather, such as dense fog, heavy rain, strong wind, intense cold, etc. Working in bad weather is tiring and often brings added risks, such as icy ground, unpredictable felling direction, etc.

- 3 Take great care when removing small branches and avoid cutting bushes (i.e. cutting many small branches at the same time). Small branches can be grabbed by the chain and thrown back at you, causing serious injury.
- 4 Make sure you can move and stand safely. Check the area around you for possible obstacles (roots, rocks, branches, ditches, etc.) in case you have to move suddenly. Take great care when working on sloping ground.
- 5 Take great care when cutting a tree that is under tension. A tree that is under tension may spring back to its normal position before or after being cut. If you position yourself incorrectly or make the cut in the wrong place the tree may hit you or the machine and cause you to lose control. Both situations can cause serious personal injury.
- 6 Before moving your chain saw switch off the engine and lock the chain using the chain brake. Carry the chain saw with the bar and chain pointing backwards. Fit a guard to the bar before transporting the chain saw or carrying it for any distance.
- 7 When you put the chain saw on the ground, lock the saw chain using the chain brake and ensure you have a constant view of the machine. Switch the engine off before leaving your chain saw for any length of time.



WARNING! Sometimes chips get stuck in the clutch cover causing the chain to jam. Always stop the engine before cleaning.

General rules

- 1 If you understand what kickback is and how it happens then you can reduce or eliminate the element of surprise. By being prepared you reduce the risk. Kickback is usually quite mild, but it can sometimes be very sudden and violent.
- 2 Always hold the chain saw firmly with your right hand on the rear handle and your left hand on the front handle. Wrap your fingers and thumbs around the handles. You should use this grip whether you are right-handed or left-handed. This grip minimizes the effect of kickback and lets you keep the chain saw under control. **Do not let go of the handles! (27)**
- 3 Most kickback accidents happen during limbing. Make sure you are standing firmly and that there is nothing in the way that might make you trip or lose your balance.

Lack of concentration can lead to kickback if the kickback zone of the bar accidentally touches a branch, nearby tree or some other object.

Have control over the workpiece. If the pieces you intend to cut are small and light, they can jam in the saw chain and be thrown towards you. This is not necessarily dangerous in itself, but you may be surprised and lose control of the saw. Never saw

WORKING TECHNIQUES

stacked logs or branches without first separating them. Only saw one log or one piece at a time. Remove the cut pieces to keep your working area safe.

- 4 **Never use the chain saw above shoulder height and avoid cutting with the tip of the bar. Never use the chain saw one-handed! (30)**
- 5 In order to keep control of your saw, always maintain a firm foothold. Never work on a ladder, in a tree or on any other insecure support. (31)
- 6 Always use a fast cutting speed, i.e. full throttle.
- 7 Take great care when you cut with the top edge of the bar, i.e. when cutting from the underside of the object. This is known as cutting with a pushing chain. The chain tries to push the chain saw back towards the user. If the saw chain is jamming, the saw may be pushed back at you.
- 8 Unless the user resists this pushing force there is a risk that the chain saw will move so far backwards that only the kickback zone of the bar is in contact with the tree, which can lead to a kickback. (32)

Cutting with the bottom edge of the bar, i.e. from the top of the object downwards, is known as cutting with a pulling chain. In this case the chain saw pulls itself towards the tree and the front edge of the chain saw body rests naturally on the trunk when cutting. Cutting with a pulling chain gives the operator better control over the chain saw and the position of the kickback zone.

- 9 Follow the instructions on sharpening and maintaining your bar and chain. When you replace the bar and chain use only combinations that are recommended by us. See instructions under the headings Cutting equipment and Technical data.

Basic cutting technique



WARNING! Never use a chain saw by holding it with one hand. A chain saw is not safely controlled with one hand. Always have a secure, firm grip around the handles with both hands.

General

- Always use full throttle when cutting!
- Reduce the speed to idle after every cut (running the engine for too long at full throttle without any load, i.e. without any resistance from the chain during cutting, can lead to serious engine damage).
- Cutting from above = Cutting with a pulling chain.
- Cutting from below = Cutting with pushing chain.

Cutting with a pushing chain increases the risk of kickback. See instructions under the heading How to avoid kickback.

Terms

Cutting = General term for cutting through wood.

Limbing = Cutting branches off a felled tree.

Splitting = When the object you are cutting breaks off before the cut is complete.

There are five important factors you should consider before making a cut:

- 1 Make sure the cutting equipment will not jam in the cut.
- 2 Make sure the object you are cutting will not split.
- 3 Make sure the chain will not strike the ground or any other object during or after cutting.
- 4 Is there a risk of kickback?
- 5 Do the conditions and surrounding terrain affect how safely you can stand and move about?

Two factors decide whether the chain will jam or the object that you are cutting will split: the first is how the object is supported before and after cutting, and the second is whether it is in tension.

In most cases you can avoid these problems by cutting in two stages; from the top and from the bottom. You need to support the object so that it will not trap the chain or split during cutting.

IMPORTANT! If the chain jams in the cut: stop the engine! Don't try to pull the chain saw free. If you do you may be injured by the chain when the chain saw suddenly breaks free. Use a lever to open up the cut and free the chain saw.

The following instructions describe how to handle the common situations you are likely to encounter when using a chain saw.

Limbing

When limbing thick branches you should use the same approach as for cutting.

Cut difficult branches piece by piece.

Cutting



WARNING! Never attempt to cut logs while they are in a pile or when a couple of logs are lying together. Such procedures drastically increase the risk of kickback which can result in a serious or fatal injury.

If you have a pile of logs, each log you attempt to cut should be removed from the pile, placed on a saw horse or runners and cut individually.

Remove the cut pieces from the cutting area. By leaving them in the cutting area, you increase the risk for inadvertently getting a kickback, as well as increasing the risk of losing your balance while working.

WORKING TECHNIQUES

The log is lying on the ground. There is little risk of the chain jamming or the object splitting. However there is a risk that the chain will touch the ground when you finish the cut.

Cut all the way through the log from above. Avoid letting the chain touch the ground as you finish the cut. Maintain full throttle but be prepared for what might happen. (33)

If it is possible (can you turn the log?) stop cutting about 2/3 of the way through the log.

Turn the log and finish the cut from the opposite side.

The log is supported at one end. There is a high risk that it will split.

Start by cutting from below (about 1/3 of the way through). Finish by cutting from above so that the two cuts meet.

The log is supported at both ends. There is a high risk that the chain will jam.

Start by cutting from above (about 1/3 of the way through).

Finish by cutting from below so that the two cuts meet.

Tree felling technique

IMPORTANT! It takes a lot of experience to fell a tree. Inexperienced users of chain saws should not fell trees. Do not attempt any task beyond your experience level!

Safe distance

The safe distance between a tree that is to be felled and anyone else working nearby is at least 2 1/2 tree lengths. Make sure that no-one else is in this "risk zone" before or during felling. (39)

Felling direction

The aim is to fell the tree in a position where you can limb and cross-cut the log as easily as possible. You want it to fall in a location where you can stand and move about safely.

Once you have decided which way you want the tree to fall you must judge which way the tree would fall naturally.

Several factors affect this:

- Lean of the tree
- Bend
- Wind direction
- Arrangement of branches
- Weight of snow
- Obstacles within the reach of the tree: for example, other trees, power lines, roads and buildings.
- Look for signs of damage and rot in the stem, this makes it more probably that the tree will break and start to fall before you expect it to.

You may find you are forced to let the tree fall in its natural direction because it is impossible or dangerous to try to make it fall in the direction you first intended.

Another very important factor, which does not affect the felling direction but does affect your safety, is to make sure

the tree has no damaged or dead branches that might break off and hit you during felling.

The main point to avoid is letting the tree fall onto another tree. It is very dangerous to remove a trapped tree and there is high accident risk. See instructions under the heading Freeing a tree that has fallen badly.

IMPORTANT! During critical felling operations, hearing protectors should be lifted immediately when sawing is completed so that sounds and warning signals can be heard.

Clearing the trunk and preparing your retreat

Delimb the stem up to shoulder height. It is safer to work from the top down and to have the tree between you and the saw.

Remove any undergrowth from the base of the tree and check the area for obstacles (stones, branches, holes, etc.) so that you have a clear path of retreat when the tree starts to fall. Your path of retreat should be roughly 135 degrees away from the intended felling direction. (40)

Felling



WARNING! Unless you have special training we advise you not to fell trees with a diameter larger than the bar length of your saw!

Felling is done using three cuts. First you make the directional cuts, which consist of the top cut and the bottom cut, then you finish with the felling cut. By placing these cuts correctly you can control the felling direction very accurately.

Directional cuts

To make the directional cuts you begin with the top cut. Stand to the right of the tree and cut on the pull stroke.

Next make the bottom cut so that it finishes exactly at the end of the top cut. (41)

The directional cuts should run 1/4 of the diameter through the trunk and the angle between the top cut and bottom cut should be 45°.

The line where the two cuts meet is called the directional cut line. This line should be perfectly horizontal and at right angles (90°) to the chosen felling direction. (42)

Felling cut

The felling cut is made from the opposite side of the tree and it must be perfectly horizontal. Stand on the left side of the tree and cut on the pull stroke.

Make the felling cut about 1.5-2 inches (3-5 cm) above the bottom directional cut.

Finish the felling cut parallel with the directional cut line so that the distance between them is at least 1/10 of the trunk diameter. The uncut section of the trunk is called the felling hinge.

The felling hinge controls the direction that the tree falls in. (44)

WORKING TECHNIQUES

All control over the felling direction is lost if the felling hinge is too narrow or non-existent, or if the directional cuts and felling cut are badly placed.

When the felling cut and directional cut are complete the tree should start to fall by itself or with the aid of a felling wedge or breaking bar.

We recommend that you use a bar that is longer than the diameter of the tree, so that you can make the felling cut and directional cuts with single cutting strokes. See instructions under the heading Technical data section to find out which lengths of bar are recommended for your saw.

There are methods for felling trees with a diameter larger than the bar length. However these methods involve a much greater risk that the kickback zone of the bar will come into contact with the tree.

Freeing a tree that has fallen badly

Freeing a "trapped tree"

It is very dangerous to remove a trapped tree and there is high accident risk.

Never try to fell the tree that is trapped.

Never work in the risk zone of the hanging trapped tree.

The safest method is to use a winch.

- Tractor-mounted
- Portable

Cutting trees and branches that are in tension

Preparations: Work out which side is in tension and where the point of maximum tension is (i.e. where it would break if it was bent even more).

Decide which is the safest way to release the tension and whether you are able to do it safely. In complicated situations the only safe method is to put aside your chain saw and use a winch.

General advice:

Position yourself so that you will be clear of the tree or branch when the tension is released.

Make one or more cuts at or near the point of maximum tension. Make as many cuts of sufficient depth as necessary to reduce the tension and make the tree or branch break at the point of maximum tension.

Never cut straight through a tree or branch that is in tension!

If you must cut across tree/limb, make two to three cuts, one inch apart, one to two inches deep.

Continue to cut deeper until tree/limb bends and tension is released.

Cut tree/limb from outside the bend, after tension has been released.

How to avoid kickback



WARNING! Kickback can happen very suddenly and violently; kicking the chain saw, bar and chain back at the user. If this happens when the chain is moving it can cause very serious, even fatal injuries. It is vital you understand what causes kickback and that you can avoid it by taking care and using the right working technique.

What is kickback?

The word kickback is used to describe the sudden reaction that causes the chain saw and bar to jump off an object when the upper quadrant of the tip of the bar, known as the kickback zone, touches an object. (32)

Kickback always occurs in the cutting plane of the bar. Normally the chain saw and bar are thrown backwards and upwards towards the user. However, the chain saw may move in a different direction depending on the way it was being used when the kickback zone of the bar touched the object.

Kickback only occurs if the kickback zone of the bar touches an object. (45)

Limbing



WARNING! A majority of kickback accidents occur during limbing. Do not use the kickback zone of the guide bar. Be extremely cautious and avoid contacting the log, other limbs or objects with the nose of the guide bar. Be extremely cautious of limbs under tension. They can spring back toward you and cause loss of control resulting in injury.

Make sure that you can stand and move about safely. Work on the left side of the trunk. Work as close as possible to the chain saw for maximum control. If possible, let the weight of the chain saw rest on the trunk.

Keep the trunk between you and the chain saw as you move along the trunk.

Cutting the trunk into logs

See instructions under the heading Basic cutting technique.

General

The user must only carry out the maintenance and service work described in this manual. More extensive work must be carried out by an authorized service workshop.

Carburetor adjustment

Your product has been designed and manufactured to specifications that reduce harmful emissions.

Function

- The carburetor governs the engine's speed via the throttle control. Air and fuel are mixed in the carburetor. The air/fuel mixture is non-adjustable except by a trained technician. Correct adjustment is essential to get the best performance from the machine.
- The T-screw regulates the throttle setting at idle speed. If the T-screw is turned clockwise this gives a higher idle speed; turning it anti-clockwise gives a lower idle speed.

Basic settings and running in

The basic carburetor settings are adjusted during testing at the factory. Fine adjustment must be carried out by a trained technician.

Fine adjustment of the idling speed T

Adjust the idle speed with the T-screw. If it is necessary to re-adjust, turn the T-screw clockwise while the engine is running, until the chain starts to rotate. Then turn counter-clockwise until the chain stops. A correctly adjusted idle speed setting occurs when the engine runs smoothly in every position. It should also be good margin to the rpm when the chain starts to rotate.



WARNING! Contact your servicing dealer, if the idle speed setting cannot be adjusted so that the chain stops at idle. Do not use the chain saw until it has been properly adjusted or repaired.

Checking, maintaining and servicing chain saw safety equipment

Note! All servicing and repair work on the machine requires special training. This is especially true of the machine's safety equipment. If your machine fails any of the checks described below we recommend you to contact our servicing dealer. Any maintenance other than that described in this manual must be carried out by your servicing dealer (retailer).

Switch off the engine and take off the ignition cable before repairs or maintenance

Chain brake and front hand guard

Checking brake band wear

Brush off any wood dust, resin and dirt from the chain brake and clutch drum. Dirt and wear can impair operation of the brake. (34)

Regularly check that the brake band is at least 0.024 inch (0,6 mm) thick at its thinnest point.

Checking the front hand guard

Make sure the front hand guard is not damaged and that there are no visible defects such as cracks.

Move the front hand guard forwards and back to make sure it moves freely and that it is securely anchored to the clutch cover. (35)

Checking the inertia brake release

With the engine turned off, hold the chain saw over a stump or other firm object. Let go of the front handle so that the bar drops towards the stump as the chain saw rotates around the rear handle.

When the bar hits the stump the brake should be activated. (37)

Checking the brake trigger

Place the chain saw on firm ground and start it. Make sure the chain does not touch the ground or any other object. See the instructions under the heading Start and stop.

Grasp the chain saw firmly, wrapping your fingers and thumbs around the handles.

Apply full throttle and activate the chain brake by tilting your left wrist forward onto the front hand guard. Do not let go of the front handle. **The chain should stop immediately.**

Throttle lockout

- Make sure the throttle control is locked at the idle setting when the throttle lockout is released.
- Press the throttle lockout and make sure it returns to its original position when you release it.
- Check that the throttle trigger and throttle lockout move freely and that the return springs work properly.

MAINTENANCE

- Start the chain saw and apply full throttle. Release the throttle control and check that the chain stops and remains stationary. If the chain rotates when the throttle control is in the idle position you should check the carburetor idle adjustment.

Chain catcher

Check that the chain catcher is not damaged and is firmly attached to the body of the chain saw.

Right hand guard

Check that the right hand guard is not damaged and that there are no visible defects, such as cracks.

Vibration damping system

Regularly check the vibration damping units for cracks or deformation.

Make sure the vibration damping units are securely attached to the engine unit and handle unit.

Stop switch

Start the engine and make sure the engine stops when you move the stop switch to the stop setting. (28)

Muffler

Never use a machine that has a faulty muffler. Regularly check that the muffler is securely attached to the machine.

Note: The spark arrester screen (A) on this machine is serviceable. The screen must be replaced if it is damaged. If the screen is blocked the machine will overheat and this will cause damage to the cylinder and piston. Never use a machine with a muffler that is in poor condition. **Never use a muffler if the spark arrester screen is missing or defective.** (7)

After 75 hours of use, we recommend that your muffler be replaced by your servicing dealer (retailer).

Air filter

The air filter must be regularly cleaned to remove dust and dirt in order to avoid:

- Carburettor malfunctions
- Starting problems
- Loss of engine power
- Unnecessary wear to engine parts
- Excessive fuel consumption.
- Remove the air filter (3) after taking off the cylinder cover, screw (1) and filter cover (2). When refitting make sure that the air filter seals tightly against the filter holder. Clean the filter by brushing or shaking it. (36)

The filter can be cleaned more thoroughly by washing it in water and detergent.

An air filter that has been in use for a long time cannot be cleaned completely. The filter must therefore be replaced with a new one at regular intervals. **A damaged air filter must always be replaced.**

Spark plug

The spark plug condition is influenced by:

- Incorrect carburetor adjustment.
- An incorrect fuel mixture (too much or incorrect type of oil).
- A dirty air filter.

These factors cause deposits on the spark plug electrodes, which may result in operating problems and starting difficulties. (38)

If the machine is low on power, difficult to start or runs poorly at idle speed: always check the spark plug first before taking any further action. If the spark plug is dirty, clean it and check that the electrode gap is 0.020 inch (0,5 mm). The spark plug should be replaced after about a month in operation or earlier if necessary.

Note! Always use the recommended spark plug type! Use of the wrong spark plug can damage the piston/cylinder. Check that the spark plug is fitted with a suppressor.

”CCS” centrifugal cleaning

Centrifugal cleaning means the following: All air to the carburetor passes through the starter. Dirt and dust is pushed out by the cooling fan.

IMPORTANT! In order to maintain operation of the centrifugal cleaning system it must be regularly maintained. Clean the air intake to the starter, the fins on the flywheel, the space around the flywheel, inlet pipe and carburetor compartment.

MAINTENANCE

Maintenance schedule

The following is a list of the maintenance that must be performed on the machine. Most of the items are described in the Maintenance section.

Daily maintenance	Weekly maintenance	Monthly maintenance
Clean the outside of the machine.	Check the starter, the starter cord and the recoil spring.	Check the brake band on the chain brake for wear. Replace when less than 0.024 inch (0.6 mm) remains at the most worn point.
Check that the components of the throttle control work safely. (Throttle lockout and throttle control.)	Check that the vibration damping elements are not damaged.	Check the clutch centre, clutch drum and clutch spring for wear.
Clean the chain brake and check that it operates safely. Make sure that the chain catcher is undamaged, and replace it if necessary.	File off any burrs from the edges of the bar.	Clean the spark plug. Check that the electrode gap is 0.020 inch (0,5 mm).
The bar should be turned daily for more even wear. Check the lubrication hole in the bar, to be sure it is not clogged. Clean the bar groove.	Clean the carburetor compartment.	Clean the outside of the carburetor.
Check that the bar and chain are getting sufficient oil.	Clean the air filter. Replace if necessary.	Check fuel hose for cracks or other damage. Change if necessary.
Check the saw chain with regard to visible cracks in the rivets and links, whether the saw chain is stiff or whether the rivets and links are abnormally worn. Replace if necessary.		Empty the fuel tank and clean the inside.
Sharpen the chain and check its tension and condition. Check the drive sprocket for excessive wear and replace if necessary.		Empty the oil tank and clean the inside.
Clean the starter units air intake.		Check all cables and connections.
Check that nuts and screws are tight.		
Check that the stop switch works correctly.		
Check that there are no fuel leaks from the engine, tank or fuel lines.		

TROUBLESHOOTING TABLE

⚠ WARNING: Always stop unit and disconnect spark plug before performing all of the recommended remedies below except remedies that require operation of the unit.

TROUBLE	CAUSE	REMEDY
Engine will not start or will run only a few seconds after starting.	<ol style="list-style-type: none"> 1. ON/STOP switch in STOP position. 2. Engine flooded. 3. Fuel tank empty. 4. Spark plug not firing. 5. Fuel not reaching carburetor. 6. Carburetor requires adjustment. 7. None of the above. 	<ol style="list-style-type: none"> 1. Move ON/STOP switch to ON. 2. See "Difficult Starting" in the Operation Section. 3. Fill tank with correct fuel mixture. 4. Install new spark plug. 5. Check for dirty fuel filter; replace. Check for kinked or split fuel line; repair or replace. 6. Contact Sears Service (see back cover). 7. Contact Sears Service (see back cover).
Engine will not idle properly.	<ol style="list-style-type: none"> 1. Idle speed set too high or too low. 2. Low Speed Mixture requires adjustment. 3. Crankshaft seals worn. 4. Compression low. 5. None of the above. 	<ol style="list-style-type: none"> 1. See "Carburetor Adjustment" in the Service and Adjustments Section. 2. Contact Sears Service (see back cover). 3. Contact Sears Service (see back cover). 4. Contact Sears Service (see back cover). 5. Contact Sears Service (see back cover).
Engine will not accelerate, lacks power, or dies under a load.	<ol style="list-style-type: none"> 1. Air filter dirty. 2. Spark plug fouled. 3. Carburetor requires adjustment. 4. Exhaust ports or muffler outlets plugged. 5. Compression low. 6. Chain brake engaged. 7. None of the above. 	<ol style="list-style-type: none"> 1. Clean or replace air filter. 2. Clean or replace plug and regap. 3. Contact Sears Service (see back cover). 4. Contact Sears Service (see back cover). 5. Contact Sears Service (see back cover). 6. Disengage chain brake. 7. Contact Sears Service (see back cover).
Engine smokes excessively.	<ol style="list-style-type: none"> 1. Choke partially on. 2. Fuel mixture incorrect. 3. Air filter dirty. 4. High Speed Mixture requires adjustment. 5. Crankcase leak. 	<ol style="list-style-type: none"> 1. Adjust choke. 2. Empty fuel tank and refill with correct fuel mixture. 3. Clean or replace air filter. 4. Contact Sears Service (see back cover). 5. Contact Sears Service (see back cover).
Engine runs hot.	<ol style="list-style-type: none"> 1. Fuel mixture incorrect. 2. Spark plug incorrect. 3. High Speed Mixture set too lean. 4. Exhaust ports or muffler outlets plugged. 5. Carbon build-up on spark arresting screen. 6. Starter housing dirty. 7. None of the above. 	<ol style="list-style-type: none"> 1. Empty fuel tank and refill with correct fuel mixture. 2. Replace with correct plug. 3. Contact Sears Service (see back cover). 4. Contact Sears Service (see back cover). 5. Clean spark arresting screen. 6. Clean starter housing area. 7. Contact Sears Service (see back cover).
Oil inadequate for bar and chain lubrication.	<ol style="list-style-type: none"> 1. Oil tank empty. 2. Oil pump or oil filter clogged. 3. Guide bar oil hole blocked. 	<ol style="list-style-type: none"> 1. Fill oil tank. 2. Contact Sears Service (see back cover). 3. Remove bar and clean.
Chain moves at idle speed.	<ol style="list-style-type: none"> 1. Idle speed requires adjustment. 2. Clutch requires repair. 	<ol style="list-style-type: none"> 1. See "Carburetor Adjustment" in the Service and Adjustments Section. 2. Contact Sears Service (see back cover).

TROUBLESHOOTING TABLE

TROUBLESHOOTING TABLE - Continued

TROUBLE	CAUSE	REMEDY
Chain does not move when engine is accelerated.	<ol style="list-style-type: none"> 1. Chain tension too tight. 2. Carburetor requires adjustment. 3. Guide bar rails pinched. 4. Clutch slipping. 5. Chain brake engaged. 	<ol style="list-style-type: none"> 1. See "Check Chain Tension" in the Maintenance Section. 2. Contact Sears Service (see back cover). 3. Repair or replace. 4. Contact Sears Service (see back cover). 5. Disengage chain brake.
Chain clatters or cuts roughly.	<ol style="list-style-type: none"> 1. Chain tension incorrect. 2. Cutters damaged. 3. Chain worn. 4. Cutters dull, improperly sharpened, or depth gauges too high. 5. Sprocket worn. 6. Chain installed backwards. 	<ol style="list-style-type: none"> 1. See "Check Chain Tension" in the Maintenance Section. 2. Contact Sears Service (see back cover). 3. Resharpener or replace chain. 4. See "Chain Sharpening" in the Service and Adjustments Section. 5. Contact Sears Service (see back cover). 6. Install chain in right direction.
Chain stops within the cut.	<ol style="list-style-type: none"> 1. Chain cutter tops not filed flat. 2. Guide bar burred or bent; rails uneven. 3. Clutch slipping. 	<ol style="list-style-type: none"> 1. See "Chain Sharpening" in the Service and Adjustments Section. 2. Repair or replace guide bar. 3. Contact Sears Service (see back cover).
Chain cuts at an angle.	<ol style="list-style-type: none"> 1. Cutters damaged on one side. 2. Chain dull on one side. 3. Guide bar bent or worn. 	<ol style="list-style-type: none"> 1. See "Chain Sharpening" in the Service and Adjustments Section. 2. See "Chain Sharpening" in the Service and Adjustments Section. 3. Replace guide bar.






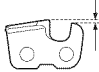
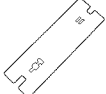
If situations occur which are not covered in this manual, use care and good judgement. If you need assistance, contact Sears Service or the CUSTOMER ASSISTANCE HELPLINE at 1-800-235-5878.

TECHNICAL DATA

Guide bar and saw chain combinations

Guide bar				Saw chain	
Length, inch	Pitch, inch	Gauge, inch	Max. nose radius	Type	Drive link count
16	3/8	0.050	7T	91PX	56

Saw chain filing and file gauges

						
91PX	inch/mm 5/32"/4,0	60°	30°	0°	inch/mm 0.025"/0,65	5796536-01

U.S. EPA / CALIFORNIA / ENVIRONMENT CANADA EMISSION CONTROL WARRANTY STATEMENT

IMPORTANT: This product is compliant with U.S. EPA Phase 3 regulations for exhaust and evaporative emissions. To ensure EPA Phase 3 compliance, we recommend using only genuine replacement parts. Use of non-compliant replacement parts is a violation of federal law.

YOUR WARRANTY RIGHTS AND OBLIGATIONS: The U.S. Environmental Protection Agency, California Air Resources Board, Environment Canada and **Sears Brands Management Corporation, U.S.A. (Sears)** are pleased to explain the emissions control system warranty on your year 2014 and later off-road engine. In California, all small off-road engines must be designed, built, and equipped to meet the State's stringent anti-smog standards. **Sears** must warrant the emission control system on your small off-road engine for the periods of time listed below provided there has been no abuse, neglect, or improper maintenance of your small off-road engine. Your emission control system includes parts such as the carburetor, the ignition system and the fuel tank, line, and cap. Where a warrantable condition exists, **Sears** will repair your small off-road engine at no cost to you. Expenses covered under warranty include diagnosis, parts and labor.

MANUFACTURER'S WARRANTY COVERAGE: If any emissions related part on your engine (as listed under Emissions Control Warranty Parts List) is defective or a defect in the materials or workmanship of the engine causes the failure of such an emission related part, the part will be repaired or replaced by **Sears**.

OWNER'S WARRANTY RESPONSIBILITIES: As the small off-road engine owner, you are responsible for the performance of the required maintenance listed in your instruction manual. **Sears** recommends that you retain all receipts covering maintenance on your small off-road engine, but **Sears** cannot deny warranty solely for the lack of receipts or for your failure to ensure the performance of all scheduled maintenance. As the small off-road engine owner, you should be aware that **Sears** may deny you warranty coverage if your small off-road engine or a part of it has failed due to abuse, neglect, improper maintenance, unapproved modifications, or the use of parts not made or approved by the original equipment manufacturer. You are responsible for presenting your small off-road engine to a **Sears** authorized repair center as soon as a problem exists. Warranty repairs should be completed in a reasonable amount of time, not to exceed 30 days. If you have any questions regarding your warranty rights and responsibilities, you should contact your nearest authorized service center.

Please call **Sears** at 1-888-331-4569 or send e-mail correspondence to emission.warranty@us.hvwan.net.

WARRANTY COMMENCEMENT DATE: The warranty period begins on the date the small off-road engine is purchased.

LENGTH OF COVERAGE: This warranty shall be for a period of two years from the initial date of purchase, or until the end of the product warranty (whichever is longer).

WHAT IS COVERED: REPAIR OR REPLACEMENT OF PARTS. Repair or replacement of any warranted part will be performed at no charge to the owner at an approved **Sears** servicing center. If you have any questions regarding your warranty rights and responsibilities, you should contact your nearest authorized service center.

Please call **Sears** at 1-888-331-4569 or send e-mail correspondence to emission.warranty@us.hvwan.net.

WARRANTY PERIOD: Any warranted part which is not scheduled for replacement as required maintenance, or which is scheduled only for regular inspection to the effect of "repair or replace as necessary" shall be warranted for 2 years. Any warranted part which is scheduled for replacement as required maintenance shall be warranted for the period of time up to the first scheduled replacement point for that part.

DIAGNOSIS: The owner shall not be charged for diagnostic labor which leads to the determination that a warranted part is defective if the diagnostic work is performed at an approved **Sears** servicing center.

CONSEQUENTIAL DAMAGES: **Sears** may be liable for damages to other engine components caused by the failure of a warranted part still under warranty.

WHAT IS NOT COVERED: All failures caused by abuse, neglect, or improper maintenance are not covered.

ADD-ON OR MODIFIED PARTS: The use of add-on or modified parts can be grounds for disallowing a warranty claim. **Sears** is not liable to cover failures of warranted parts caused by the use of add-on or modified parts.

HOW TO FILE A CLAIM: If you have any questions regarding your warranty rights and responsibilities, you should contact your nearest authorized **Sears** service center.

Please call **Sears** at 1-888-331-4569 or send e-mail correspondence to emission.warranty@us.hvwan.net.

WHERE TO GET WARRANTY SERVICE: Warranty services or repairs shall be provided at all **Sears** service centers.

Please call **Sears** at 1-888-331-4569 or send e-mail correspondence to emission.warranty@us.hvwan.net.

MAINTENANCE, REPLACEMENT AND REPAIR OF EMISSION RELATED PARTS: Any **Sears** approved replacement part used in the performance of any warranty maintenance or repair on emission related parts will be provided without charge to the owner if the part is under warranty.

EMISSION CONTROL WARRANTY PARTS LIST: Carburetor, air filter (covered up to maintenance schedule), ignition system: spark plug (covered up to maintenance schedule), ignition module, muffler including catalyst (if equipped), fuel tank, line, and cap.

MAINTENANCE STATEMENT: The owner is responsible for the performance of all required maintenance as defined in the instruction manual.

This engine is certified to be emissions compliant for the following use:

Moderate (50 hours)

AMERICAN STANDARD SAFETY PRECAUTIONS

Safety precautions for chain saw users

(ANSI B175.1-2012 Annex C)

Kickback safety precautions



WARNING! Kickback may occur when the nose or tip of the guide bar touches an object, or when the wood closes in and pinches the saw chain in the cut.

Tip contact in some cases may cause a lightning fast reverse reaction, kicking the guide bar up and back towards the operator.

Pinching the saw chain along the top of the guide bar may push the guide bar rapidly back towards the operator.

Either of these reactions may cause you to lose control of the saw which could result in serious personal injury.

Do not rely exclusively upon the safety devices built into your saw. As a chain saw user, you should take several steps to keep your cutting jobs free from accident or injury.

With a basic understanding of kickback, you can reduce or eliminate the element of surprise. Sudden surprise contributes to accidents.

Keep a good firm grip on the saw with both hands, the right hand on the rear handle, and the left hand on the front handle, when the engine is running. Use a firm grip with thumbs and fingers encircling the chain saw handles. A firm grip will help you reduce kickback and maintain control of the saw. Don't let go.

Make sure that the area in which you are cutting is free from obstacles. Do not let the nose of the guide bar contact a log, branch, or any other obstacle which could be hit while you are operating the saw.

Cut at high engine speeds.

Do not overreach or cut above shoulder height.

Follow manufacturer's sharpening and maintenance instructions for the saw chain.

Only use replacement bars and chains specified by the manufacturer or the equivalent.

Other safety precautions



WARNING! Do not operate a chain saw with one hand! Serious injury to the operator, helpers, bystanders or any combination of these persons may result from one-handed operation. A chain saw is intended for two-handed use.

Do not operate a chain saw when you are fatigued.

Use safety footwear; snug-fitting clothing, protective gloves, and eye, hearing and head protection devices.

Use caution when handling fuel. Move the chain saw at least 10 feet (3 m) from the fueling point before starting the engine.

Do not allow other persons to be near the chain saw when starting or cutting with the chain saw. Keep bystanders and animals out of the work area.

Do not start cutting until you have a clear work area, secure footing and a planned retreat path from the falling tree.

Keep all parts of your body away from the saw chain when the engine is running.

Before you start the engine, make sure that the saw chain is not contacting anything.

Carry the chain saw with the engine stopped, the guide bar and saw chain to the rear, and the muffler away from your body.

Do not operate a chain saw that is damaged, improperly adjusted, or not completely and securely assembled. Be sure that the saw chain stops moving when the throttle control trigger is released.

Shut off the engine before setting the chain saw down.

Use extreme caution when cutting small size brush and saplings because slender material may catch the saw chain and be whipped toward you or pull you off balance.

When cutting a limb that is under tension be alert for springback so that you will not be struck when the tension in the wood fibers is released.

Keep handles dry, clean and free of oil or fuel mixture.

Operate the chain saw only in well-ventilated areas.

Do not operate a chain saw in a tree.

Do not operate a chain saw above shoulder height.

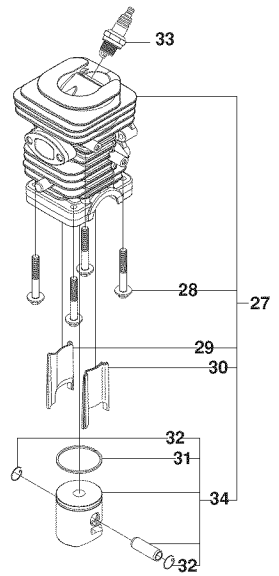
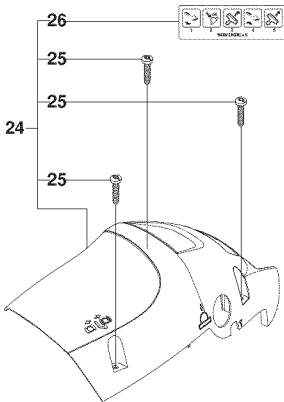
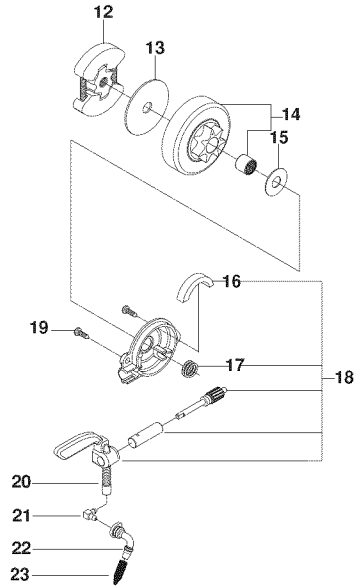
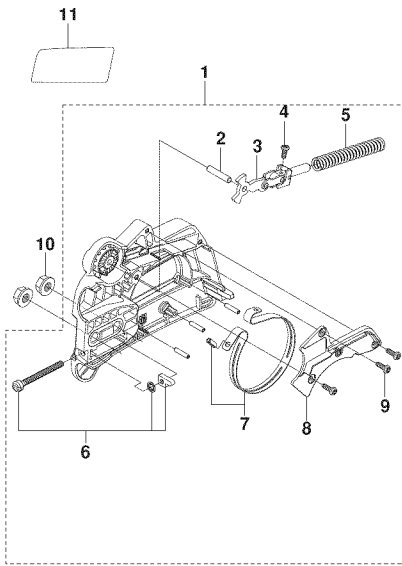
All chain saw service, other than the items listed in the operator's/owner's safety and maintenance instructions, should be performed by competent chain saw service personnel. (For example, if improper tools are used to remove the flywheel or if an improper tool is used to hold the flywheel in order to remove the clutch, structural damage to the flywheel could occur and subsequently cause the flywheel to burst.)

When transporting your chain saw, use the appropriate guide bar guard.

Note: This Annex is intended primarily for the consumer or occasional user.

NOTES

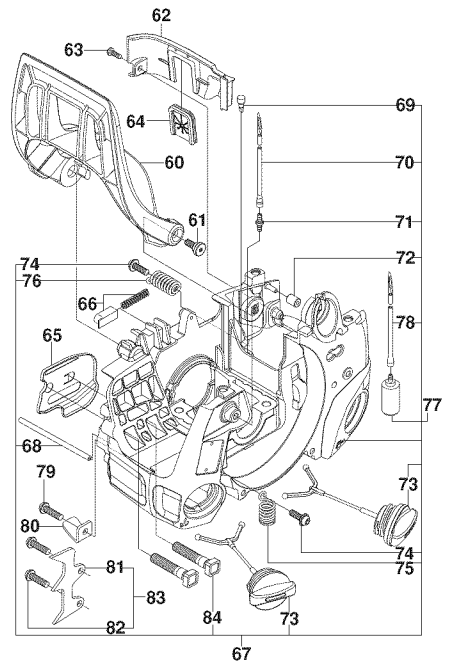
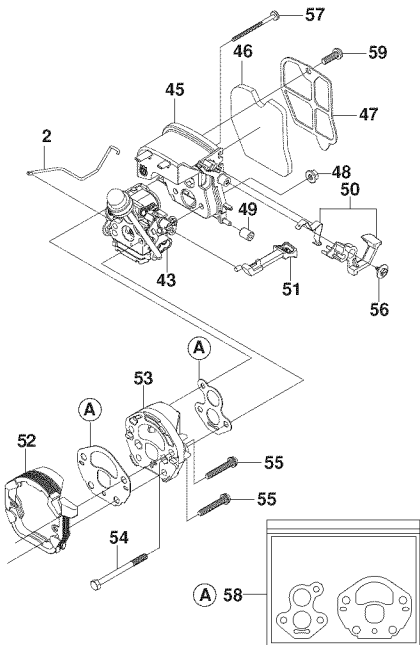
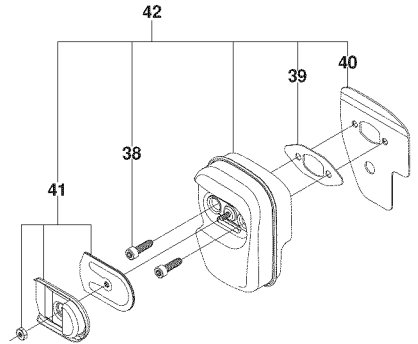
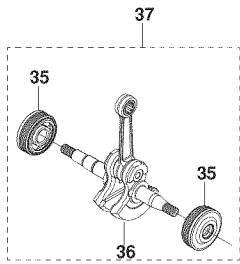
REPAIR PARTS



REPAIR PARTS

Ref.	Part No.	Description
1.	577805501	Kit, Chain Brake Ass'y Frt Adj
2.	530057950	Pin, Dowel
3.	530057940	Assy, Front Link
4.	574780301	M3.63 x 1.34 x 8 Torx
5.	530016415	Spring Compression
6.	530069611	Kit, Bar Adjust
7.	577830201	Kit, Brake Band
8.	545071002	Cover, Brake Band
9.	545227101	Screw 19 x .437 .Pl. Pan.
10.	530015917	Nut, Bar Mtg
11.	577815302	Decal, Clutch Cover
12.	530014949	Assy- Clutch
13.	530015611	Washer, Clutch (Large)
14.	530047061	3/8-6 Tooth Drum Assembly
15.	530015907	Washer, Thrust
16.	525318401	Dust Seal
17.	530037820	Gear- Worm
18.	581063901	Assembly Oil Pump Complete
19.	530016064	Screw 19 x .437 .Pl. Pan.
20.	545227501	Block, Oil
21.	530049477	Elbow, Oil Pickup
22.	545069401	Seal, Pick-Up
23.	530056533	Filter, Oil
24.	577831003	Kit Cylinder Shield
25.	574320601	Screw, Cylinder Shield
26.	585969501	Decal, Starting Instruction
27.	577831101	Kit, Cylinder & Piston
28.	545081501	Bolt, Cylinder
29.	574190801	Insert, Transfer Left
30.	574190901	Insert, Transfer Right
31.	530012608	Piston Ring
32.	530015697	Piston Pin Retainer
33.	503235108	Plug-Spark (RCJ-7Y)
34.	577831301	Kit, Piston

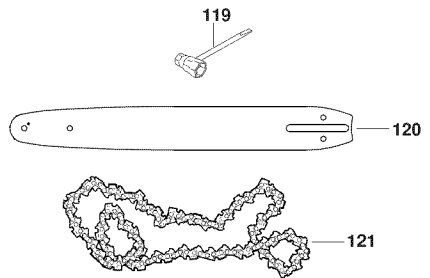
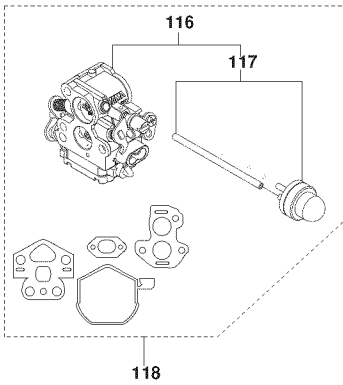
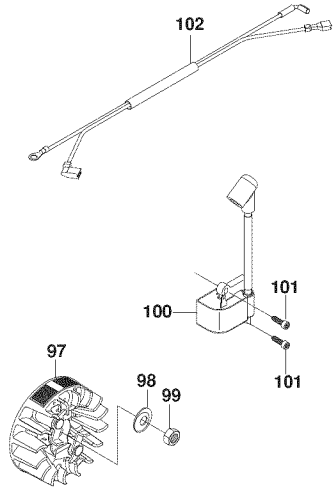
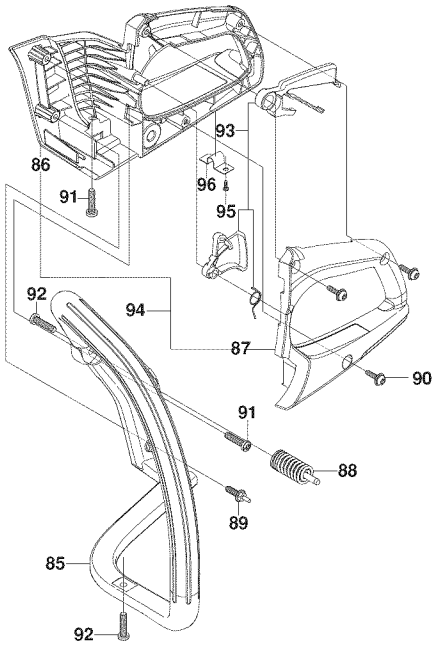
REPAIR PARTS



REPAIR PARTS

Ref.	Part No.	Description
35.	576243901	Assy Main Bearing & Seal
36.	580302701	Assembly Crankshaft
37.	577830801	Kit, Crankshaft Assembly
38.	530016338	Muffler Bolt
39.	530054884	Muffler Gasket
40.	545066901	Muffler Back Plate
41.	545008027	Kit Spark Arrestor
42.	545180843	Kit Muffler Complete
43.	574719402	Carburetor (Zama) - Ref.
44.	577815201	Throttle Wire
45.	575493401	Filter Housing
46.	545061801	Air Filter
47.	545151801	Filter Plate
48.	530016101	Nut, Carb
49.	545061901	Isolator Filter Housing
50.	577830701	Kit, Switch Lever
51.	545061601	Choke Knob
52.	545061501	Carb Adaptor Seal
53.	577636501	Carb Adaptor
54.	545033701	Stud-Carburetor
55.	545158301	Carb Adaptor Screw
56.	530016080	Screw Rope Retainer
57.	545074901	Top Stud-Carburetor
58.	545081892	Gasket Kit
59.	530016349	Screw M5.28x1.81x16mm Plas
60.	575943601	Handguard
61.	545127301	Boss Screw, Handguard
62.	576141001	Rear Wall
63.	545227101	Screw, Mtg Rear Wall
64.	545075401	Grommet, Rear Wall
65.	545071401	Plate Bar Mounting
66.	577830901	Kit, Spring, Handguard Position
67.	577831201	Kit, Chassis Assembly
68.	545033501	Assy, Vent Line
69.	530026119	Check Valve (Duck Bill)
70.	530021132	Line-Return Purge
71.	530023877	Fitting- Fuel Line
72.	545061901	Isolator Filter Housing
73.	544111202	Assy-Oil/Fuel Cap w/Ret.
74.	530015906	Screw M5.28x1.81x16mm Plas
75.	545033801	Assy Front Isolator
76.	577540601	Rear Isolator Spring
77.	530095646	Assy- Pick-Up
78.	530021106	Line, Fuel
79.	530015814	Screw Chain Catcher
80.	530029850	Chain Catcher
81.	530038990	Spike
82.	530016439	Screw Spike
83.	530014381	Kit Spike
84.	529310301	Bolt, Bar

REPAIR PARTS



REPAIR PARTS

Ref.	Part No.	Description
85.	576025401	Front Handle
86.	576025501	Rear Handle w/Ovmlid
87.	576025701	Rear Handle Cover
88.	577540801	Assy Front Isolator
89.	576808301	Isolation Limiter Screw
90.	530016433	Screw 8-16x15.1 PI Pan.Trx
91.	530016349	Screw M5.28x1.81x16mm Plas
92.	530016432	Screw M5.38-14x22.225mm
93.	577821901	Kit Trigger & Lockout
94.	577830002	Kit Handle
95.	545227101	Screw 19 x .437 .Pl. Pan.
96.	576389301	Scrench Clip
97.	575635501	Flywheel Assy
98.	530015127	Washer, Flywheel
99.	530016134	Nut, Flywheel
100.	575803501	Module- Ignition
101.	545121901	Screw, Ign Module
102.	545079901	Assy- Wire Harness
103.	530021179	Screw Shoulder
104.	530059677	Starter Hub EPS
105.	530021180	Spring EPS
106.	530016080	Screw, Rope Retainer
107.	545058201	Pulley- Starter EPS
108.	530042095	Spring- Recoil
109.	545180812	Kit, EPS Starter
110.	575942801	Baffle
111.	575942301	Fan Housing
112.	576431301	Handle & Rope Assy
113.	530016432	Screw M5.38-14x22.225mm
114.	577162501	Kit, Complete EPS
115.	576807502	Decal, Fan Housing
116.	574719402	Carb Complete
117.	545008030	Purge and Line Assembly
118.	545008032	Kit Carb Repair
119.	576865901	Wrench
120.	587155301	Bar
121.	577218556	Chain

TABLA DE CONTENIDOS

Declaración de garantía	40	Técnica de trabajo	55
Acuerdos de protección para reparaciones	41	Mantenimiento	60
Introducción	42	Tabla diagnóstica	63
Componentes	43	Datos técnicos	66
Instrucciones generales de seguridad	44	Declaración de garantía de control de emisión	67
Montaje	51	Precauciones de seguridad de la norma americana	68
Manipulación del combustible	52	Lista de piezas	34
Arranque y parada	54	Repuestos y encargos	Contratapa

DECLARACION DE GARANTIA

GARANTÍA COMPLETA DE DOS AÑOS DE CRAFTSMAN

POR DOS AÑOS a partir de la fecha de la compra, este producto está garantizado contra cualquier defecto de material o mano de obra. El producto defectuoso se reparará o sustituirá de forma gratuita si la reparación no es posible.

GARANTÍA LIMITADA ADICIONAL EN EL CIGÜEÑAL DEL MOTOR

A PARTIR DEL TERCER AÑO HASTA EL DÉCIMO desde la fecha de compra, el cigüeñal del motor de este producto está garantizado contra cualquier defecto de material o mano de obra. Tras presentar el comprobante de la compra, un cigüeñal del motor defectuoso se sustituirá. Esta garantía adicional cubre sólo el cigüeñal del motor, y no se aplica a cualquier otro componente del motor. Usted debe pagar el costo de la mano de obra de instalación del cigüeñal.

Para más información sobre la cobertura de la garantía para obtener una reparación o sustitución gratuita, visite la página web: www.craftsman.com Esta garantía SOLO cubre defectos de material y mano de obra. La cobertura de la garantía NO incluye:

- Piezas desechables que pueden sufrir desgaste debido al uso normal dentro del período de garantía, incluidas, entre otras, la barra guía, la cadena, los filtros o la bujía.
- Daños provocados por los intentos del usuario de modificar o reparar el producto o debido a los accesorios del producto.
- Reparaciones debidas a un accidente o a no utilizar o mantener el producto de acuerdo a todas las instrucciones proporcionadas.
- Mantenimiento preventivo o reparaciones debidas al uso de un tipo incorrecto de combustible, una mezcla incorrecta de combustible o combustible contaminado o con impurezas.

Esta garantía se anulará si el producto se utiliza para ofrecer servicios comerciales o si se alquila a otra persona.

Esta garantía otorga derechos legales específicos y puede que algunos varíen de un estado a otro.

Sears Brands Management Corporation, Hoffman Estates, IL 60179

ACUERDOS DE PROTECCIÓN PARA REPARACIONES

¡Felicitaciones! ¡Ha realizado una compra inteligente! Su nuevo producto Craftsman está diseñado y fabricado para brindar muchos años de funcionamiento confiable. Pero como todos los productos, puede requerir reparaciones periódicas. En ese momento, tener un Acuerdo de protección para reparaciones puede ahorrarle dinero y trastornos.

El Acuerdo de Protección para Reparaciones* incluye lo siguiente:

- ✓ **Servicio experto** por parte de nuestros 10 000 especialistas en reparaciones profesionales
- ✓ **Servicio ilimitado y ningún costo** por las piezas y la mano de obra en todas las reparaciones cubiertas
- ✓ **Reemplazo del producto** hasta \$1500 si el producto cubierto no puede ser reparado
- ✓ **Descuento del 10%** sobre el precio normal del servicio y las piezas instaladas asociadas no cubiertas por el acuerdo; además, 10% de descuento sobre el precio normal de la verificación de mantenimiento preventivo
- ✓ **Ayuda telefónica rápida** - la llamamos Resolución rápida; asistencia telefónica por parte de un representante de Sears. Piense en nosotros como un "manual del propietario parlante".

Una vez que compre el Acuerdo de protección para reparaciones, bastará con que realice una simple llamada telefónica para programar servicios. Puede llamar a cualquier hora, de día o de noche, o programar una visita de servicios en Internet.

El Acuerdo de Protección para Reparaciones es una compra libre de riesgos. Si cancela por cualquier motivo durante el período de garantía del producto, le proporcionaremos un reembolso completo. O un reembolso prorrateado en cualquier momento posterior al vencimiento del período de garantía del producto. ¡Compre su Acuerdo de protección para reparaciones ya mismo!

Aplican algunas limitaciones y exclusiones. Para conocer los precios e información adicional en EE.UU, llame al 1-800-827-6655.

***La cobertura en Canadá varía en algunos artículos. Para obtener los detalles completos, llame a Sears Canadá al 1-800-361-6665. Servicio de instalación de Sears**

Para la instalación profesional de Sears de electrodomésticos, abrepuestas de garajes, calentadores de agua y otros artículos domésticos importantes, en EE.UU. o Canadá llame a **1-888-331-4569**.

INTRODUCCION

Símbolos en la máquina:

¡ATENCIÓN! ¡Las motosierras pueden ser peligrosas! Su uso descuidado o erróneo puede provocar heridas graves o mortales al operador o terceros.

Lea detenidamente el manual de instrucciones y asegúrese de entender su contenido antes de utilizar la máquina.

Utilice siempre:

- Casco protector homologado
- Protectores auriculares homologados
- Gafas protectoras o visor

El operador debe manejar la motosierra con ambas manos.

No manejar nunca una motosierra sujetándola sólo con una mano.



Debe evitarse que la punta de la espada entre en contacto con ningún objeto.



ATENCIÓN! El contacto con la puntera podría provocar un movimiento repentino hacia arriba y hacia abajo de la espada guía (llamado «reculada»), lo que podría causar graves lesiones.



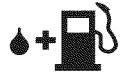
El motor se detiene al apagar el encendido mediante el botón de parada.



Bomba de combustible.



Carga de combustible.

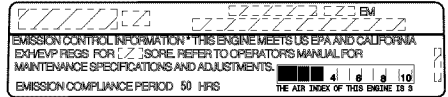


Rellenado de aceite para cadena.



Los demás símbolos/etiquetas que aparecen en la máquina corresponden a requisitos de homologación específicos en determinados mercados.

Etiquetas que se encuentran en la motosierra:



El período de cumplimiento de emisiones mencionado en la etiqueta de cumplimiento de emisiones indica el número de horas de funcionamiento en el que el motor ha demostrado cumplir con los requisitos federales en materia de emisiones.

El mantenimiento, sustitución o reparación de aparatos y sistemas de control de las emisiones puede efectuarlos cualquier establecimiento o individuo dedicado a la reparación de motores no de carretera.



ATTENTION!

Los gases de escape del motor de este producto contienen sustancias químicas conocidas en el Estado de California como causantes de cáncer, defectos congénitos y otros daños reproductivos.

¿Qué es qué en la motosierra? (1)

- 1 Cubierta del cilindro
- 2 Bomba de combustible.
- 3 Botón de parada (Conexión y desconexión del encendido.)
- 4 Estrangulador/Bloqueo del acelerador de arranque
- 5 Empuñadura trasera con protección para la mano derecha
- 6 Etiqueta adhesiva de información y advertencia
- 7 Depósito de combustible
- 8 Tornillos de reglaje del carburador
- 9 Empuñadura de arranque
- 10 Mecanismo de arranque
- 11 Depósito de aceite de cadena
- 12 Placa de identificación
- 13 Tornillo de tensado de cadena
- 14 Fijador del acelerador (Impide las aceleraciones involuntarias.)
- 15 Mango delantero
- 16 Protección contra reculadas
- 17 Silenciador
- 18 Espada
- 19 Cabezal de rueda
- 20 Cadena
- 21 Apoyo de corteza (Disponible como accesorio.)
- 22 Captor de cadena
- 23 Cubierta del embrague
- 24 Herramienta combinada integrada
- 25 Acelerador
- 26 Protección de la espada
- 27 Manual de instrucciones
- 28 Herramienta combinada

INSTRUCCIONES GENERALES DE SEGURIDAD

Medidas a tomar antes de utilizar una motosierra nueva

- Lea detenidamente el manual de instrucciones.
- (1) - (45) refiérase a las figuras en p. 4-7.
- Compruebe el montaje y ajuste del equipo de corte. Vea las instrucciones bajo el título Montaje.
- Ponga combustible y arranque la motosierra. Vea las instrucciones en los capítulos Manipulación del combustible y Arranque y parada.
- No utilice la motosierra hasta que haya llegado suficiente aceite lubricante a la cadena. Lea las instrucciones bajo el título Lubricación del equipo de corte.
- La exposición prolongada al ruido puede causar daños crónicos en el oído. Por consiguiente, use siempre protectores auriculares homologados.



¡ATENCIÓN! Bajo ninguna circunstancia debe modificarse la configuración original de la máquina sin autorización del fabricante. Utilizar siempre recambios originales. Las modificaciones y/o la utilización de accesorios no autorizados pueden ocasionar accidentes graves o incluso la muerte del operador o de terceros. Su garantía podría no abarcar daños o responsabilidades causados por el uso de accesorios o piezas de repuesto no autorizados.



¡ATENCIÓN! La utilización errónea o descuidada de una motosierra puede convertirla en una herramienta peligrosa que puede causar accidentes graves e incluso mortales. Es muy importante que lea y comprenda el contenido de este manual de instrucciones.



¡ATENCIÓN! En el interior del silenciador hay sustancias químicas que pueden ser cancerígenas. Evitar el contacto con estas sustancias si se daña el silenciador.



¡ATENCIÓN! La inhalación prolongada de los gases de escape del motor, la neblina de aceite de cadena y el polvo de serrín puede poner en riesgo la salud.



¡ATENCIÓN! Esta máquina genera un campo electromagnético durante el funcionamiento. Este campo magnético puede, en determinadas circunstancias, interferir con implantes médicos activos o pasivos. Para reducir el riesgo de lesiones graves o letales, las personas que utilizan implantes médicos deben consultar a su médico y al fabricante del implante antes de emplear esta máquina.

Importante

¡IMPORTANTE!

Esta motosierra para los servicios forestales está concebida para realizar tareas en el bosque como la tala, la poda y el corte.

Utilice solamente las combinaciones de espada/cadena de sierra recomendadas en el capítulo Datos técnicos.

Nunca utilice la máquina si está cansado, si ha ingerido alcohol o si toma medicamentos que puedan afectarle la vista, su capacidad de discernimiento o el control del cuerpo.

Utilice el equipo de protección personal. Vea las instrucciones bajo el título "Equipo de protección personal".

No modifique nunca esta máquina de forma que se desvie de la versión original, y no la utilice si parece haber sido modificada por otras personas.

No utilice nunca una máquina defectuosa. Siga las instrucciones de mantenimiento, control y servicio de este manual. Algunas medidas de mantenimiento y servicio deben ser efectuadas por especialistas formados y cualificados. Vea las instrucciones bajo el título Mantenimiento.

Cuando no se esté utilizando, la herramienta combinada integrada debe almacenarse en el portaherramientas. Utilice el portaherramientas únicamente para mantener la herramienta combinada provista, dado que está diseñado exclusivamente para este fin.

Nunca utilice otros accesorios que los recomendados en este manual. Vea las instrucciones bajo los títulos Equipo de corte y Datos técnicos.

¡NOTA! Utilice siempre gafas protectoras o visera para reducir el riesgo de daños causados por objetos lanzados. Una motosierra puede lanzar con gran fuerza objetos como virutas, trozos de madera pequeños, etc. Ello comporta riesgo de daños personales graves, especialmente en los ojos.



¡ATENCIÓN! Si se hace funcionar el motor en un local cerrado o mal ventilado, se corre riesgo de muerte por asfixia o intoxicación con monóxido de carbono.



¡ATENCIÓN! Un equipo de corte defectuoso o una combinación errónea de espada/cadena de sierra aumentan el riesgo de reculadas. Utilice solamente las combinaciones de espada/cadena de sierra recomendadas y siga las instrucciones. Vea las instrucciones bajo el título Datos técnicos

INSTRUCCIONES GENERALES DE SEGURIDAD

Emplee siempre el sentido común (2)

Es imposible abarcar todas las situaciones imaginables que se pueden producir al utilizar una motosierra. Proceda con cuidado y emplee el sentido común. Evite todo uso para el cual no se sienta suficientemente calificado. Si después de leer estas instrucciones todavía se siente inseguro en cuanto al procedimiento de uso, consulte con un experto antes de proseguir. No dude en ponerse en contacto con el distribuidor o con nosotros si tiene alguna duda en cuanto al empleo de la motosierra. Estamos a su disposición para darle consejos que le ayuden a emplear su motosierra de forma mejor y más segura. Le recomendamos hacer un cursillo sobre empleo de motosierras. El distribuidor local, una escuela de silvicultura o una biblioteca pueden informarle acerca del material de formación y los cursos disponibles. Se realiza un trabajo constante de mejoras del diseño y la técnica, que aumentan su seguridad y eficacia. Visite al distribuidor local regularmente para averiguar qué provecho pueden proporcionarle las novedades que se introducen.

Equipo de protección personal



¡ATENCIÓN! La mayoría de los accidentes con la motosierra se producen cuando la cadena toca al usuario. Para trabajar con la máquina debe utilizarse un equipo de protección personal homologado. El equipo de protección personal no elimina el riesgo de lesiones, pero reduce su efecto en caso de accidente. Pida a su distribuidor que le asesore en la elección del equipo.

- Casco protector homologado
- Protectores auriculares
- Gafas protectoras o visor
- Guantes con protección anticorte
- Pantalones con protección contra sierra
- Botas con protección anticorte, puntera de acero y suela antideslizante
- Tenga siempre a mano el equipo de primeros auxilios.
- Extintor de incendios y pala

Utilice prendas ajustadas que no limiten su movilidad.

¡IMPORTANTE! Pueden producirse chispas en el silenciador, la espada y la cadena o en otra fuente. Tenga siempre a mano herramientas para extinguir incendios, por si fueran necesarias. Así ayudará a prevenir incendios forestales.

Equipo de seguridad de la máquina

En este capítulo se explican los componentes de seguridad de la máquina y sus funciones. Para el control y mantenimiento, vea las instrucciones del capítulo Control, mantenimiento y servicio del equipo de seguridad de la motosierra. Vea el capítulo Componentes de la máquina para ver dónde están situados estos componentes en su máquina.

La vida útil de la máquina puede acortarse y el riesgo de accidentes puede aumentar si el mantenimiento de la máquina no se hace de forma adecuada y si los trabajos de servicio y/o reparación no se efectúan de forma profesional. Para más información, consulte con el taller de servicio oficial más cercano.



¡ATENCIÓN! No emplee nunca una máquina con equipo de seguridad defectuoso. El equipo de seguridad se debe controlar y mantener. Vea las instrucciones del capítulo Control, mantenimiento y servicio del equipo de seguridad de la motosierra. Si el control de su máquina no da resultado satisfactorio, hay que acudir a un taller de servicio para la reparación.

Freno de cadena con protección contra reculadas

Su motosierra está equipada con un freno de cadena diseñado para detener la cadena de sierra en caso de reculada. Un freno de cadena reduce el riesgo de accidentes, pero sólo es usted, el usuario, quien puede impedirlos.

Proceda con cuidado en la utilización de la sierra, procurando que el sector de riesgo de reculada de la espada nunca toque ningún objeto.

- El freno de cadena (A) se activa bien manualmente (con la mano izquierda) o por efecto de la inercia. (3)
- La activación se produce al empujar hacia delante la protección contra reculadas (B). (3)
- El movimiento activa un mecanismo de muelle que tensa la cinta del freno (C) alrededor del sistema de arrastre de la cadena (D) en el motor (tambor de embrague). (4)
- La protección contra reculadas no sólo activa el freno de cadena. También cumple otra función importante: reduce el riesgo de que la mano izquierda toque la cadena si el usuario suelta el mango delantero.
- El freno de cadena debe estar activado cuando se arranca la motosierra, para impedir que la cadena gire.
- Utilice el freno de cadena como 'freno de estacionamiento' al arrancar y para los traslados cortos a fin de prevenir accidentes por contacto involuntario de usted o el entorno con la cadena de sierra en movimiento.

INSTRUCCIONES GENERALES DE SEGURIDAD

- El freno de cadena se desacopla empujando la protección contra reculadas hacia atrás, contra el mango delantero.
- Las reculadas pueden ser rapidísimas y muy violentas. La mayoría de las reculadas son pequeñas y, por tanto, no siempre activan el freno de cadena. En estos casos debe sujetarse la motosierra con fuerza, sin soltarla.
- El modo de activación del freno de cadena, manual o por inercia, depende de la fuerza de la reculada y de la posición de la motosierra en relación al objeto con el que toca el sector de riesgo de reculada de la espada.
En reculadas fuertes y con el sector de riesgo de reculada de la espada lo más lejos posible del usuario, el freno de cadena está diseñado para ser activado por su propio contrapeso (inercia) en el sentido de reculada.
En las reculadas poco violentas, o al trabajar con el sector de riesgo de reculada cerca del usuario, el freno de cadena se activa manualmente con la mano izquierda.
- En posición de tala, la mano izquierda está en una posición que permite la activación manual del freno de cadena. Con este agarre, cuando la mano izquierda está colocada de forma que no puede influir en el movimiento de la protección contra reculada, el freno de cadena sólo se puede activar mediante la función de inercia. (8)

¿Activará siempre mi mano el freno de cadena en caso de reculada?

No. Hace falta una fuerza determinada para mover la protección contra reculada hacia adelante. Si su mano sólo roza la protección contra reculada o resbala sobre ella, puede ocurrir que la fuerza no sea suficiente para activar el freno de cadena. También debe agarrar con firmeza la empuñadura de la motosierra cuando trabaja. Si lo hace y se produce una reculada, puede ocurrir que no suelte el agarre de la empuñadura delantera y que no active el freno de cadena, o que el freno de cadena no se active hasta que la sierra haya girado bastante. En casos así puede suceder que el freno de cadena no tenga tiempo de detener la cadena antes de que le toque a usted.

Ello ocurre también en determinadas posturas de trabajo que impiden que su mano llegue a la protección contra reculada para activar el freno de cadena; por ejemplo, cuando se sujeta la sierra en posición de tala.

¿Se activa siempre por inercia el freno de cadena cuando se produce una reculada?

No. En primer lugar, su freno debe funcionar. Es fácil probar el freno; vea las instrucciones del capítulo Control, mantenimiento y servicio del equipo de seguridad de la motosierra. Recomendamos que haga esta prueba antes de empezar cada turno de trabajo. En segundo lugar, la reculada debe tener la fuerza suficiente para activar el freno de cadena. Si el freno de cadena fuera demasiado sensible, se activaría constantemente, lo que sería molesto.

¿Me protegerá siempre el freno de cadena contra daños si se produce una reculada?

No. En primer lugar, su freno debe funcionar para proporcionar la protección prevista. En segundo lugar, el freno se debe activar tal como se describe arriba para detener la cadena de sierra en una reculada. En tercer lugar, el freno de cadena se puede activar, pero si la espada está demasiado cerca de usted puede ocurrir que el freno no tenga tiempo de reducir la velocidad y parar la cadena antes de que la motosierra le toque.

Solamente usted y empleando una técnica de trabajo correcta puede eliminar el efecto de reculada y los riesgos que comporta.

Fiador del acelerador

El fiador del acelerador está diseñado para impedir la activación involuntaria del acelerador. Cuando se oprime el fiador (A) en el mango (= cuando se agarra el mango), se desacopla el acelerador (B). Cuando se suelta el mango, el acelerador y el fiador vuelven a sus posiciones originales. Ambas funciones se efectúan con sistemas independientes de muelles de retorno. Con esta posición, el acelerador queda automáticamente bloqueado en ralentí. (5)

Captor de cadena

El captor de cadena está diseñado para captar las cadenas que se sueltan o se rompen. Normalmente esto se evita con el tensado correcto de la cadena (vea las instrucciones bajo el título Montaje) y con un mantenimiento adecuado de la espada y la cadena (vea las instrucciones bajo el título Instrucciones generales de trabajo).

Protección de la mano derecha

La protección de la mano derecha, además de proteger la mano cuando una cadena se suelta o se rompe, impide que las ramas perjudiquen el agarre del mango posterior.

Sistema amortiguador de vibraciones

Su máquina incorpora un sistema amortiguador diseñado para reducir al máximo posible las vibraciones y optimizar la comodidad de uso.

El sistema amortiguador de vibraciones de la máquina reduce la transmisión de vibraciones entre la parte del motor/equipo de corte y la parte de los mangos de la máquina. El cuerpo de la motosierra, incluyendo el equipo de corte, va suspendido de la parte de los mangos con un elemento antivibratorio.

El corte de maderas duras (la mayoría de los árboles caducifolios) produce más vibraciones que el de maderas blandas (la mayoría de las coníferas). El corte con un equipo de corte desafilado o incorrecto (modelo incorrecto o mal afilado) incrementa el nivel de vibraciones.

INSTRUCCIONES GENERALES DE SEGURIDAD



¡ATENCIÓN! La sobreexposición a las vibraciones puede provocar problemas circulatorios y dolencias de carácter nervioso, especialmente en personas con patologías circulatorias. Acuda a un médico si nota síntomas corporales que puedan relacionarse con la sobreexposición a las vibraciones. Son ejemplos de tales síntomas la pérdida de sensibilidad, el 'cosquilleo', las 'punzadas', el dolor, la pérdida o reducción de la fuerza normal o los cambios en el color y la superficie de la piel. Estos síntomas se presentan normalmente en dedos, manos y muñecas. Los síntomas pueden aumentar en temperaturas frías.

Botón de parada

El botón de parada se utiliza para parar el motor. (28)

Silenciador

El silenciador está diseñado para reducir el nivel sonoro y para apartar los gases de escape del usuario.



¡ATENCIÓN! Los gases de escape del motor están calientes y pueden contener chispas que pueden provocar incendio. Por esa razón, ¡nunca arranque la máquina en interiores o cerca de material inflamable!

En regiones de clima cálido y seco puede haber un riesgo de incendio considerable. En países de estas regiones hay normativas y requisitos legales de, por ejemplo, equipar el silenciador con una red apagachispas homologada (A). (7)

¡NOTA! El silenciador está muy caliente durante el funcionamiento y después de parar. Esto también es aplicable al funcionamiento en ralentí. Preste atención al riesgo de incendio, especialmente al emplear la máquina cerca de sustancias y/o gases inflamables.



¡ATENCIÓN! No utilice nunca una motosierra sin silenciador o con el silenciador defectuoso. Un silenciador defectuoso puede incrementar considerablemente el nivel de ruido y el riesgo de incendio. Tenga a mano herramientas para la extinción de incendios. No utilice nunca una motosierra sin red apagachispas o con red apagachispas defectuosa si la normativa del país exige este equipo.

Equipo de corte

Este capítulo describe cómo Ud., con un mantenimiento correcto y utilizando el equipo de corte adecuado, podrá:

- Reducir la propensión a las reculadas de la máquina.
- Reducir la ocurrencia de salidas y roturas de la cadena de sierra.
- Proporciona un resultado de corte óptimo.
- Aumentar la duración del equipo de corte.
- Evita el aumento de los niveles de vibraciones.

Reglas básicas

- **¡Utilice solamente el equipo de corte recomendado por nosotros!** Vea las instrucciones bajo el titular Datos técnicos
- **¡Mantenga los dientes cortantes de la cadena bien y correctamente afilados!** Siga nuestras instrucciones y utilice el calibrador de limado recomendado. Una cadena mal afilada o defectuosa aumenta el riesgo de accidentes.
- **¡Mantenga la profundidad de corte correcta!** Siga nuestras instrucciones y utilice el calibrador de profundidad recomendado. Una profundidad de corte demasiado grande aumenta el riesgo de reculada.
- **¡Mantenga la cadena correctamente tensada!** Con un tensado insuficiente se incrementa el riesgo de solturas de la cadena y se aumenta el desgaste de la espada, la cadena y el piñón de arrastre.
- **¡Mantenga el equipo de corte bien lubricado y efectúe el mantenimiento adecuado!** Con una lubricación insuficiente se incrementa el riesgo de roturas de cadena y se aumenta el desgaste de la espada, la cadena y el piñón de arrastre.

Equipo de corte reductor de reculadas



¡ATENCIÓN! Un equipo de corte defectuoso o una combinación errónea de espada/cadena de sierra aumentan el riesgo de reculadas. Utilice solamente las combinaciones de espada/cadena de sierra recomendadas y siga las instrucciones. Vea las instrucciones bajo el titular Datos técnicos

Las reculadas sólo puede evitarlas Ud. el usuario, impidiendo que el sector de riesgo de reculada de la espada toque algún objeto.

El efecto de las reculadas puede reducirse utilizando un equipo de corte con reducción de reculada "incorporada", así como con un afilado y mantenimiento correctos de la cadena.

Espada

Cuanto más pequeño es el radio de punta, menor es la propensión a la reculada.

INSTRUCCIONES GENERALES DE SEGURIDAD

Cadena

Una cadena de sierra consta de distintos eslabones que se presentan en versión estándar y en versión reductora de reculada.

¡IMPORTANTE! Ninguna cadena de sierra elimina el riesgo de reculada.



¡ATENCIÓN! Cualquier contacto con una sierra de cadena en girando puede causar daños muy graves.

Expresiones características de la espada y cadena

Para conservar la eficacia de todos los componentes de seguridad del equipo de corte, debe sustituir las combinaciones de espada/cadena de sierra gastadas o dañadas por una espada y una cadena recomendadas. Vea las instrucciones del capítulo Datos técnicos para información sobre las combinaciones de espada/cadena de sierra que recomendamos.

Espada

- Longitud (pulgadas/cm)
- Número de dientes en el cabezal de rueda (T).
- Paso de cadena (=pitch) (pulgadas). El cabezal de rueda de la espada y el piñón de arrastre de la cadena de la motosierra deben adaptarse a la distancia entre los eslabones de arrastre.
- Número de eslabones de arrastre (unidades). A cada combinación de longitud de cadena, paso de cadena y número de dientes del cabezal de rueda, le corresponde un número determinado de eslabones de arrastre.
- Ancho de la guía de la espada (pulgadas/mm). El ancho de la guía de la espada debe estar adaptado al ancho del eslabón de arrastre de la cadena.
- Orificio para aceite de cadena y orificio para pasador tensor de cadena. La espada debe estar adaptada al diseño de la motosierra.

Cadena

- Paso de cadena (=pitch) (pulgadas)
- Ancho del eslabón de arrastre (mm/pulgadas)
- Número de eslabones de arrastre (unidades)

Afilado y ajuste del talón de profundidad de una cadena de sierra



¡ATENCIÓN! Para trabajar con la cadena, utilice siempre guantes para proteger las manos contra lesiones.

Generalidades sobre el afilado de los dientes cortantes

- No corte nunca con una sierra roma. Es señal de sierra roma cuando es necesario presionar el equipo

de corte a través de la madera y el que las virutas son muy pequeñas. Una cadena de sierra muy roma no produce virutas. El único resultado es polvo de madera.

- Una sierra de cadena bien afilada atraviesa por sí sola la madera y produce virutas grandes y largas.
- La parte cortante de una cadena de sierra se denomina eslabón de corte, formado por un diente de corte (A) y un talón de profundidad (B). La distancia en altura entre ellos determina la profundidad de corte (C). (9)

Hay tres medidas a considerar para el afilado del diente de corte.

- 1 Ángulo de afilado
- 2 Ángulo de corte
- 3 Posición de la lima
- 4 Diámetro de la lima redonda

Es muy difícil afilar correctamente una cadena de sierra sin los accesorios adecuados. Por ello le recomendamos que utilice nuestro calibrador de afilado. La plantilla garantiza un afilado de la cadena de sierra para una reducción de la reculada y una capacidad de corte óptimas.

Vea las instrucciones del capítulo Datos técnicos en lo referente a los datos para el afilado de la cadena de su motosierra.



¡ATENCIÓN! La negligencia en seguir las instrucciones de afilado aumenta considerablemente la propensión a la reculada de la cadena de sierra.

Afilado de dientes cortantes

Para afilar dientes de corte se requiere una lima redonda y un calibrador de afilado. Vea las instrucciones del capítulo Datos técnicos en lo referente al diámetro de fila redonda y el calibrador de afilado recomendados para la cadena de su motosierra.

- Apague el motor. (28)
- Compruebe que la cadena esté bien tensada. Con un tensado insuficiente, la cadena tiene inestabilidad lateral, lo cual dificulta el afilado correcto.
- Afile siempre desde el interior del diente hacia fuera. En el retorno, suavice la presión de la lima. Primero, afile todos los dientes de un lado y, luego, vuelva la motosierra y afile los dientes del otro lado.
- Afile todos los dientes a la misma longitud. Cuando sólo queden 4 mm (5/32) de la longitud de diente, la cadena está desgastada y debe cambiarse. (10)

Generalidades sobre el ajuste de la profundidad de corte

- Al afilar el diente de corte se reduce la altura del talón de profundidad (= profundidad de corte). Para mantener una capacidad máxima de corte hay que bajar el talón de profundidad al nivel recomendado.

INSTRUCCIONES GENERALES DE SEGURIDAD

En lo referente a la profundidad de corte de la cadena de su motosierra, vea el capítulo Datos técnicos.



¡ATENCIÓN! ¡Una profundidad de corte excesiva aumenta la propensión a las reculadas de la cadena!

Ajuste de la profundidad de corte

- El ajuste de la profundidad de corte debe hacerse con los dientes cortantes recién afilados. Recomendamos ajustar la profundidad de corte después de cada tercer afilado de la cadena de sierra. ¡ATENCIÓN! Esta recomendación presupone que la longitud de los dientes de corte no se ha reducido anormalmente.
- Para ajustar la profundidad de corte se necesita una lima plana y un calibrador de profundidad de corte. Recomendamos utilizar nuestro calibrador de afilado de profundidad para obtener la medida de profundidad correcta y el ángulo correcto del talón de profundidad.
- Ponga el calibrador de afilado sobre la cadena de sierra. En el envase del calibrador hay instrucciones sobre su empleo. Utilice la lima plana para limar el sobrante de la parte sobresaliente del talón de profundidad. La profundidad de corte es correcta cuando no se nota resistencia alguna al pasar la lima sobre el calibrador.

Tensado de la cadena



¡ATENCIÓN! Una cadena insuficientemente tensada puede soltarse y ocasionar accidentes graves, incluso mortales.



¡ATENCIÓN! Utilice siempre guantes protectores homologados. Una cadena inmóvil también puede causar daños graves al usuario u otras personas que llegan a la cadena.

La cadena se alarga con la utilización. Por consiguiente, es importante ajustar el equipo de corte para compensar este cambio.

El tensado de la cadena debe controlarse cada vez que se reposte combustible. ¡NOTA! Las cadenas nuevas requieren un período de rodaje, durante el que debe controlarse el tensado con mayor frecuencia.

En general, la cadena debe tensarse tanto como sea posible, aunque debe ser posible girarla fácilmente con la mano. (13)

- Apague el motor. (28)
- Afloje las tuercas de la espada que fijan la cubierta del embrague / el freno de cadena. Utilice la herramienta combinada integrada en el protector de manos posterior u otra con medidas idénticas (póngase en contacto con su distribuidor para obtener una herramienta de sustitución). Después, apriete las tuercas a mano, lo más fuerte que pueda. (6) (11)

- Con la puntera de la espada hacia arriba, tense la cadena apretando el tornillo tensor con la herramienta combinada. Tense la cadena hasta que deje de colgar en la parte inferior de la espada. (12)
- Con la herramienta combinada, apriete las tuercas de la espada sujetando al mismo tiempo la puntera de esta. Compruebe que la cadena pueda girarse a mano con facilidad y que no cuelgue en la parte inferior de la espada. (13)

Lubricación del equipo de corte



¡ATENCIÓN! La lubricación insuficiente del equipo de corte puede ocasionar roturas de cadena, con el riesgo consiguiente de accidentes graves e incluso mortales.

Aceite para cadena de motosierra

Un aceite para cadena de motosierra ha de tener buena adhesión a la cadena, así como buena fluidez tanto en climas cálidos como fríos.

¡No utilizar nunca aceite residual! Es nocivo para usted, la máquina y el medio ambiente.

¡IMPORTANTE! Si utiliza aceite vegetal para cadena de sierra, desmonte y limpie la ranura de la espada y la cadena de sierra antes del almacenamiento prolongado. De no hacerlo, hay riesgo de que se oxide el aceite de la cadena de sierra, con lo que la cadena se vuelve rígida y el cabezal de rueda se atasca.

Repostaje de aceite para cadena de motosierra

- Todos nuestros modelos de motosierra tienen lubricación automática de la cadena. Algunos modelos pueden obtenerse también con flujo de aceite regulable.
- El depósito de aceite de cadena y el depósito de combustible están dimensionados para que se termine el combustible antes de terminarse el aceite de cadena.

No obstante, para que esta función de seguridad sea efectiva debe utilizarse el aceite de cadena de sierra correcto (un aceite demasiado claro se termina antes de que se termine el combustible), debe seguirse nuestra recomendación de reglaje del carburador (una mezcla demasiado pobre hace que el combustible dure más que el aceite de cadena), y deben seguirse nuestras recomendaciones de equipo de corte (una espada demasiado larga requiere más aceite lubricante).

Control de la lubricación de la cadena

- Controle la lubricación de la cadena cada vez que reposte. Vea las instrucciones del capítulo Lubricación del cabezal de rueda de la espada. Apunte la punta de la espada a unos 20 cm (8 pulgadas) de un objeto fijo y claro. Después de 1 minuto de funcionamiento a 3/4 de aceleración debe verse una línea de aceite clara en el objeto.

INSTRUCCIONES GENERALES DE SEGURIDAD

Si no funciona la lubricación de la cadena:

- Compruebe que el canal de aceite de cadena en la espada esté abierto. Límpielo si es necesario.
- Compruebe que la guía de la espada esté limpia. Límpiela si es necesario.
- Compruebe que el cabezal de rueda de la espada gire con facilidad y que su orificio de lubricación esté abierto. Limpie y lubrique si es necesario.

Si la lubricación de la cadena no funciona después de efectuar los controles y medidas anteriores, contacte a su taller de servicio.

Piñón de arrastre de la cadena

El tambor del embrague lleva uno Piñón Spur (piñón soldado en el tambor (D)). **(4)**

Compruebe regularmente el nivel de desgaste del piñón de arrastre de la cadena y cámbielo si presenta un desgaste anormal. El piñón de arrastre de la cadena debe cambiarse cada vez que se cambie la cadena.

Control del desgaste del equipo de corte

Controle diariamente la cadena para comprobar si:

- Hay grietas visibles en los remaches y eslabones.
- La cadena está rígida.
- Los remaches y eslabones presentan un desgaste anormal.

Deseche la cadena de sierra si concuerda con alguno o varios de los puntos anteriores.

Para comprobar el desgaste de la cadena que utiliza, le recomendamos que la compare con una cadena nueva.

Cuando sólo queden 4 mm (5/32 de pulgada) de longitud de diente cortante, la cadena está gastada y debe cambiarse. **(10)**

Espada

Controle a intervalos regulares:

- Si se han formado rebabas en los lados de la espada (A). Lime si es necesario. **(14)**
- Si la guía de la espada presenta un desgaste anormal (B). Cambie la espada si es necesario. **(14)**
- Si la punta de la espada presenta un desgaste anormal o irregular. Si se ha formado una "cavidad" al final del radio de la punta, en la parte inferior de la espada, es señal de que Ud. ha utilizado la máquina con un tensado de cadena insuficiente.
- Para obtener una duración óptima, la espada debe girarse cada día.



¡ATENCIÓN! La mayoría de los accidentes con la motosierra se producen cuando la cadena toca al usuario.

Utilice el equipo de protección personal. Vea las instrucciones bajo el título "Equipo de protección personal".

Evite los trabajos para los que no se sienta suficientemente capacitado. Vea las instrucciones bajo los títulos Equipo de protección personal, Medidas preventivas de reculadas, Equipo de corte e Instrucciones generales de trabajo.

Evite situaciones con riesgo de reculada. Vea las instrucciones bajo el título Equipo de seguridad de la máquina.

Utilice el equipo de corte recomendado y controle su estado. Vea las instrucciones bajo el título Instrucciones generales de trabajo.

Compruebe el funcionamiento de las piezas de seguridad de la motosierra. Vea las instrucciones bajo los títulos Instrucciones generales de trabajo e Instrucciones generales de seguridad.

Montaje de la espada y la cadena



¡ATENCIÓN! Los trabajos de control y/o mantenimiento deben efectuarse con el motor desconectado. El contacto de parada retorna automáticamente a la posición de arranque. Por consiguiente, antes de realizar trabajos de montaje, control y/o mantenimiento se debe quitar el capuchón de encendido de la bujía para evitar el arranque imprevisto.

Para trabajar con la cadena, utilice siempre guantes para proteger las manos contra lesiones.



¡ATENCIÓN! Si la unidad se suministra ya montada, repita todo el procedimiento para cerciorarse de que el montaje es correcto y que todos los fijadores están sujetos.

Compruebe que no esté activado el freno de cadena empujando la protección contra reculadas del freno de cadena hacia el mango delantero. **(24)**

Afloje las tuercas de la espada que fijan la cubierta del embrague / el freno de cadena. Utilice la herramienta combinada integrada en el protector de manos posterior u otra con medidas idénticas (póngase en contacto con su distribuidor para obtener una herramienta de sustitución). Saque la protección de transporte (A). **(6)**
(15)

Monte la espada en los pernos. Sitúela en la posición posterior extrema. Monte la cadena en el piñón de arrastre y la guía de la espada. Empiece con la parte superior de la cadena. Compruebe que los filos de los eslabones de corte estén orientados hacia delante en la parte superior de la espada. **(16)**

Monte la cubierta del embrague (el freno de cadena) y ubique el vástago de tensado de cadena en la muesca de la espada. Compruebe que los eslabones de arrastre de la cadena encajen en el piñón de arrastre de la cadena y que la cadena esté bien colocada en la guía de la espada. Apriete la tuerca de la espada con los dedos. **(16)**

Tense la cadena enroscando en el sentido de las agujas del reloj el tornillo tensor con la herramienta combinada. La cadena debe tensarse hasta que deje de colgar en la parte inferior de la espada. **(12)**

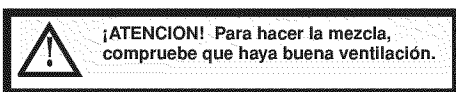
La cadena está correctamente tensada cuando no cuelga en la parte inferior de la espada y puede girarse fácilmente con la mano. Apriete las tuercas de la espada con la herramienta combinada, sujetando al mismo tiempo la puntera de la espada. **(13)**

El tensado de una cadena nueva debe controlarse con frecuencia, hasta que se haya hecho el rodaje. Controle el tensado regularmente. Una cadena correcta significa buena capacidad de corte y larga duración.

MANIPULACION DEL COMBUSTIBLE

Carburante

Aclaración! La máquina tiene motor de dos tiempos, por lo que debe utilizarse siempre una mezcla de gasolina con aceite para motores de 2 tiempos. Es importante medir con precisión la cantidad de aceite que se mezcla para conseguir la proporción de mezcla adecuada. Al mezclar pequeñas cantidades de combustible, incluso los pequeños errores en la cantidad de aceite tienen una gran incidencia en la proporción de mezcla.



Gasolina

- Utilice gasolina sin plomo o gasolina con plomo de alta calidad.
- El octanaje mínimo recomendado es 87 ((RON+MON)/2). Si se utiliza gasolina de octanaje inferior a 87, se puede producir el efecto "clavazón". Esto produce un aumento de la temperatura del motor y de la carga sobre los cojinetes, fenómenos que pueden causar averías graves del motor.
- Para trabajos con régimen alto continuado (por ejemplo, para desramar), se recomienda un octanaje más alto.

Rodaje

No maneje la máquina a revoluciones demasiado altas por periodos prolongados durante las primeras diez horas.

Aceite para motores de dos tiempos

- Para prestaciones y resultados óptimos, utilizar sintética de dos tiempos de aceite del motor, que está especialmente formulado para refrigerados por aire motores de dos tiempos.
- No utilice nunca aceite para motores de dos tiempos fuera borda refrigerados por agua (llamado outboard oil), con designación TCW.
- No utilice nunca aceite para motores de cuatro tiempos.
- Un aceite de calidad deficiente o una mezcla de aceite/combustible demasiado rica puede perjudicar el funcionamiento del catalizador y reducir su vida útil.

Mezcla

50:1 (2%) para todos los motores.

Gasolina, litros	Aceite para motores de dos tiempos, litros
	2% (50:1)
5	0,10
10	0,20
15	0,30
20	0,40
Gal EE.UU.	Oz fl EE.UU.
1	2 1/2
2 1/2	6 1/2
5	12 7/8

Mezcla

- Siempre haga la mezcla de gasolina y aceite en un recipiente limpio, homologado para gasolina.
- Primero, ponga la mitad de la gasolina que se va a mezclar. Luego, añada todo el aceite y agite la mezcla. A continuación, añada el resto de la gasolina.
- Agite bien la mezcla de combustible antes de ponerla en el depósito de combustible de la máquina.
- No mezcle más combustible que el necesario para utilizar un mes como máximo.
- Si no se ha utilizado la máquina por un tiempo prolongado, vacíe el depósito de combustible y límpielo.

Aceite para cadena

- Para lubricar se recomienda un aceite especial (aceite para lubricar cadenas) con buena aptitud adherente.
- No utilice nunca aceite residual. Puede ocasionar averías en la bomba de aceite, la espada y la cadena.
- Es importante utilizar un aceite adecuado para la temperatura ambiente (con la viscosidad correcta).
- Con temperaturas bajo cero, algunos aceites se espesan. Ello puede causar sobrecargas en la bomba de aceite, con averías subsiguientes de las piezas de la bomba.
- Para la selección de aceite lubricante de cadena, consulte con su taller de servicio.

MANIPULACION DEL COMBUSTIBLE

Repostaje



¡ATENCIÓN! Las siguientes medidas preventivas reducen el riesgo de incendio:

No fume ni ponga objetos calientes cerca del combustible.

Apague el motor y deje que se enfríe unos minutos antes de repostar.

Para repostar, abra despacio la tapa del depósito de combustible para evacuar lentamente la eventual sobrepresión.

Después de repostar, apriete bien la tapa del depósito de combustible.

Antes de arrancar, aparte siempre la máquina del lugar y de la fuente de repostaje.

Seque minuciosamente alrededor de las tapas de los depósitos. Limpie regularmente los depósitos de combustible y de aceite para cadena. Cambie el filtro de combustible una vez al año como mínimo. La suciedad en los depósitos produce perturbaciones del funcionamiento. Asegúrese de que el combustible esté bien mezclado, agitando el recipiente antes de repostar. Las capacidades de los depósitos de combustible y aceite para cadena están adaptadas entre sí. Por consiguiente, haga el repostaje de ambos al mismo tiempo.



¡ATENCIÓN! El combustible y los vapores de combustible son muy inflamables. Proceda con cuidado en la manipulación del combustible y el aceite de cadena. Tenga en cuenta el riesgo de incendio, explosión e inhalación.

Seguridad en el uso del combustible

- No reposte nunca la máquina con el motor en marcha.
- Procure que haya buena ventilación durante el repostaje y la mezcla de combustible (gasolina y aceite para motores de 2 tiempos).
- Antes de arrancar, aparte la máquina a 3 m como mínimo del lugar de repostaje.
- Nunca arranque la máquina:
 - 1 Si ha derramado sobre la máquina combustible o aceite para cadena. Seque cualquier residuo y espere a que se evaporen los restos de combustible.
 - 2 Si se salpicó el cuerpo o las ropas, cambie de ropas. Lave las partes del cuerpo que han entrado en contacto con el combustible. Use agua y jabón.
 - 3 Si hay fugas de combustible en la máquina. Compruebe regularmente si hay fugas en la tapa del depósito o en los conductos de combustible.



¡ATENCIÓN! No utilice nunca una máquina con daños visibles en la protección de bujía y el cable de encendido. Hay riesgo de generación de chispas, que pueden causar incendios.

Transporte y almacenamiento

- Almacene la motosierra y el combustible de forma que no haya riesgo de que los eventuales vapores y fugas entren en contacto con chispas o llamas. Por ejemplo, cerca de máquinas eléctricas, motores eléctricos, contactos/interruptores eléctricos, calderas de calefacción o similares.
- Para el almacenamiento del combustible deben utilizarse recipientes especiales homologados.
- En caso de almacenamiento o transporte de la motosierra por tiempo prolongado, deberán vaciarse los depósitos de combustible y aceite para cadena. Consulte con la gasolinera más cercana sobre qué hacer con el combustible y aceite de cadena sobrantes.
- Antes del almacenaje prolongado, limpie bien la máquina y haga el servicio completo.
- La protección de transporte del equipo de corte debe estar siempre montada para el transporte y almacenamiento de la máquina, a fin de evitar el contacto fortuito con la cadena aguda. Una cadena inmóvil también puede causar daños graves al usuario u otras personas que llegan a la cadena.
- Asegure la máquina durante el transporte.

Almacenamiento prolongado

Vacíe los depósitos de combustible y aceite en un lugar bien ventilado. Guarde el combustible en bidones homologados y en un lugar seguro. Monte la protección de la espada. Limpie la máquina. Vea las instrucciones del capítulo Programa de mantenimiento.

ARRANQUE Y PARADA

Arranque y parada



¡ATENCIÓN! Antes de arrancar, observe lo siguiente:

El freno de cadena debe estar aplicado cuando se arranca la motosierra, para reducir el riesgo de contacto con la cadena en movimiento al ponerse en marcha.

No ponga en marcha la motosierra sin haber montado antes la espada, la cadena y todas las cubiertas. De otro modo, el embrague puede zafar y ocasionar daños personales.

Ponga la máquina sobre una superficie estable. Asegúrese de tener buena estabilidad y de que la cadena no pueda tocar ningún objeto.

Asegúrese de que no haya terceros desautorizados en la zona de trabajo.

Motor frío

Arranque: El freno de cadena debe estar activado al poner en marcha la motosierra. Active el freno moviendo la protección contra reculadas hacia delante. (26)

Bomba de combustible: Presione varias veces la burbuja de goma de la bomba de combustible hasta que comience a llenarse de combustible. No es necesario llenarla totalmente. (20)

Estrangulador: Extraiga completamente el estrangulador azul hasta que alcance la posición **ESTRANGULAMIENTO TOTAL**. Cuando se extrae al máximo la palanca de estrangulador/ralentí rápido, el ajuste de aceleración correcto se hace automáticamente. (18)

Aceleración de arranque: Para la función combinada de estrangulamiento/aceleración de arranque ponga el estrangulador en la posición de estrangulamiento. (19)

Arranque

Agarre el mango delantero con la mano izquierda. Pise la parte inferior del mango trasero con el pie derecho y presione la motosierra contra el suelo. (22)

Agarre la empuñadura de arranque con la mano derecha y tire lentamente del cordón hasta que note resistencia (cuando se conecten los ganchos de arranque). Luego, dé tirones rápidos y fuertes hasta que el motor arranque.

Nunca enrosque el cordón de arranque alrededor de la mano.

¡NOTA! No extraiga el cordón de arranque al máximo, y no suelte la empuñadura de arranque si ha extraído todo el cordón. Ello puede ocasionar averías en la máquina.

Introduzca el estrangulador en el ajuste «HALF estrangulador» en cuanto el motor arranque; oírás una especie de soplo. (18)

Reponga con firmeza el cordón a su posición inicial y repita el intento hasta que el motor arranque. Dado que el freno de cadena todavía está activado, se deben bajar las revoluciones del motor lo antes posible a ralentí, y esto se logra pulsando rápidamente una vez el accionador del estrangulador. De ese modo, se evita un desgaste innecesario del embrague, del tambor del embrague y de la cinta de freno. (23)

Aclaración! Para poner el freno de cadena en su posición inicial, mueva la protección contra reculadas (marcada "PULL BACK TO RESET") hacia la empuñadura del mango. Ahora, la motosierra está lista para funcionar. (24)

En la parte trasera de la motosierra hay un recordatorio de arranque simplificado, con figuras que describen cada paso.



Motor caliente

Utilice el mismo procedimiento de arranque que para el motor frío, pero no coloque el estrangulador en la posición de estrangulamiento. Para iniciar el estrangulamiento, sitúe el estrangulador azul en la posición de estrangulamiento y, a continuación, vuelva a empujarlo hacia dentro. (21)



¡ATENCIÓN! La inhalación prolongada de los gases de escape del motor, la neblina de aceite de cadena y el polvo de serrín puede poner en riesgo la salud.

- Nunca ponga en marcha la motosierra sin haber montado antes correctamente la espada, la cadena y todas las cubiertas. Vea las instrucciones bajo el título Montaje. Sin la espada y la cadena montadas en la motosierra, el embrague se puede soltar y causar daños graves. (25)
- El freno de cadena debe estar aplicado cuando se arranca la motosierra. Vea las instrucciones del capítulo Arranque y parada. No arranque nunca la motosierra agarrando el cordón de arranque y soltando la máquina. Este método es muy peligroso porque se pierde fácilmente el control de la motosierra. (26)
- No ponga nunca en marcha la máquina en interiores. Tenga en cuenta el riesgo de inhalación de los gases de escape del motor.
- Observe el entorno y asegúrese de que no haya riesgo de tocar a personas o animales con el equipo de corte.
- Sujete siempre la motosierra con ambas manos. Agarre la empuñadura trasera con la mano derecha y la empuñadura delantera con la mano izquierda. **Todos los usuarios, diestros o zurdos, deben usar este agarre.** Agarre con firmeza, con todos los dedos alrededor de las empuñaduras de la motosierra. (27)

Parada

Para parar el motor, pulse el botón de parada. (28)

PROBLEMAS PARA ARRANCAR (o arranque de un motor hogado)

Si el motor no arranca después de 10 intentos, puede ahogarse a causa del exceso de combustible. Para eliminar el exceso de combustible de un motor ahogado, empuje la palanca del estrangulador/ralentí alto hacia dentro (hasta la posición OFF CHOKE) y luego realice el procedimiento de arranque de un motor caliente que se ha descrito antes. Asegúrese de que el interruptor de encendido/parada está en la posición ON. Para realizar esta operación, podría ser necesario tirar de la cuerda de arranque varias veces, en función de hasta qué punto se haya ahogado el motor. Si el motor sigue sin arrancar, consulte la TABLA DE SOLUCIÓN DE PROBLEMAS o llámé al teléfono de asistencia al 1-800-235-5878.

Antes de utilizar la máquina: (29)

- 1 Compruebe que el freno de cadena funcione correctamente y no esté dañado.
- 2 Compruebe que la protección trasera de la mano derecha no esté dañada.
- 3 Compruebe que el fiador contra aceleraciones involuntarias funcione correctamente y no esté dañado.
- 4 Compruebe que el botón de parada funciona bien y está en buen estado.
- 5 Compruebe que todos los mangos estén libres de aceite.
- 6 Compruebe que el sistema de amortiguación de vibraciones funcione y no esté dañado.
- 7 Compruebe que el silenciador esté firmemente montado y en buenas condiciones.
- 8 Compruebe que todas las piezas de la motosierra estén bien apretadas, no presenten daños y estén presentes.
- 9 Compruebe que el retén de cadena esté montado y en buenas condiciones.
- 10 Controle el tensado de la cadena.

Instrucciones generales de trabajo

¡IMPORTANTE!

Este capítulo se refiere a las reglas de seguridad básicas para el trabajo con una motosierra. En ningún caso, su contenido podrá sustituir a los conocimientos, formación y experiencia práctica de un profesional. Por consiguiente, cuando no esté seguro de cómo utilizar la máquina, consulte a un experto. Diríjase a la tienda donde compró la motosierra, al taller de servicio o a un usuario de motosierras experto. ¡Evite los trabajos para los que no se sienta suficientemente cualificado!

No utilice la motosierra hasta que haya comprendido el significado de las reculadas y la forma de evitarlas. Vea las instrucciones bajo el título Medidas preventivas de las reculadas.

No utilice la motosierra hasta que haya comprendido la diferencia entre las técnicas de corte con la parte superior y la parte inferior de la espada. Vea las instrucciones de los capítulos Medidas preventivas de las reculadas y Equipo de seguridad de la máquina.

Utilice el equipo de protección personal. Vea las instrucciones bajo el título "Equipo de protección personal".

Reglas básicas de seguridad

- 1 Observe el entorno para:
 - Comprobar que no hayan personas, animales, etc., que puedan influir en su control de la máquina.
 - Impedir que eventuales personas o animales puedan entrar en contacto con la cadena o sean alcanzadas o lesionadas por un árbol derribado.

¡NOTA! Siga las instrucciones mencionadas arriba y no utilice la motosierra sin que haya alguien a quien recurrir en caso de accidente.

- 2 No trabaje en condiciones atmosféricas desfavorables como niebla, lluvia intensa, tempestad, frío intenso, etc. El trabajo con mal tiempo es fatigoso y puede crear circunstancias peligrosas, como terreno resbaladizo, cambio imprevisto de la dirección de derribo de los árboles, etc.
- 3 Proceda con sumo cuidado en el corte de ramas pequeñas y evite cortar arbustos (= varias ramas al mismo tiempo). Después del corte, las ramas pequeñas pueden atascarse en la cadena, ser lanzadas hacia Ud. y herirle de gravedad.
- 4 Compruebe que pueda caminar y mantenerse de pie con seguridad. Vea si hay eventuales impedimentos para desplazamientos imprevistos (raíces, piedras, ramas, fosos, zanjas, etc.). Proceda con sumo cuidado al trabajar en terreno inclinado.
- 5 Sea sumamente cuidadoso al cortar en árboles en tensión. Un árbol en tensión puede, tanto antes como después de terminar de cortar, volver a su posición normal. Si Ud. o el corte están mal ubicados, el árbol puede golpearlo a Ud. o a la máquina y hacerle perder el control. Las dos situaciones pueden ocasionar daños personales graves.
- 6 Para los desplazamientos, bloquee la cadena con el freno de cadena y pare el motor. Lleve la motosierra con la espada y cadena orientadas hacia atrás. Para los desplazamientos largos y los transportes utilice siempre la protección de la espada.
- 7 Cuando ponga la motosierra en el suelo, bloquee la cadena de sierra con el freno de cadena y no pierda de vista la motosierra. Para el 'estacionamiento prolongado', se debe parar el motor.



¡ATENCIÓN! A veces las astillas quedan atrapadas en la cubierta del embrague, lo que hace que la cadena se atasque. Pare siempre el motor antes de limpiar la máquina.

Reglas básicas

- 1 Entendiendo las implicaciones y causas de la reculada, Ud. puede reducir o eliminar sorpresas que incrementen el riesgo de accidente. La mayoría de reculadas son pequeñas, aunque algunas son rapidísimas y muy violentas.
- 2 Sujete siempre la motosierra con firmeza, con la mano derecha en el mango trasero y la mano izquierda en el mango delantero, agarrando los mangos con todos los dedos. Este agarre deben utilizarlo todos los usuarios, incluso los zurdos. Este agarre es la mejor forma de reducir el efecto de una reculada y, al mismo tiempo, mantener el control de la motosierra. **¡No suelte los mangos! (27)**
- 3 La mayoría de los accidentes por reculada se producen al desramar. Procure trabajar con una

postura estable y que en el suelo no hayan objetos que puedan hacerle tropezar y perder el equilibrio.

Si se trabaja con negligencia, el sector de riesgo de reculada de la espada puede tocar involuntariamente una rama, un árbol u otro objeto y producir una reculada.

Controle la pieza de trabajo. Si las piezas de trabajo que sierra son pequeñas y ligeras, pueden atascarse en la cadena de sierra y ser lanzadas contra usted. Esto, aunque no es necesariamente peligroso, puede sorprenderle y hacerle perder el control de la motosierra. No sierre nunca troncos apilados ni ramas sin separarlos antes. Sierre solamente los troncos de trozo en trozo. Aparte los trozos aserrados para mantener segura su zona de trabajo.

4 No utilice nunca la motosierra por encima de los hombros y evite cortar con la punta de la motosierra. ¡No utilice nunca la motosierra con una sola mano! (30)

5 Para obtener máximo control de la motosierra, es necesario adoptar una posición estable. No trabaje nunca subido a una escalera, trepado a un árbol o en una posición que carezca de una base firme. (31)

6 Corte con velocidad de cadena alta, acelerando al máximo.

7 Para cortar con la parte superior de la espada, en sentido ascendente desde la parte inferior del objeto a cortar, proceda con muchísimo cuidado. Al trabajar con esta técnica, llamada de cadena impelente, la cadena empuja la motosierra hacia atrás, hacia el usuario. Si la cadena de sierra se atasca, la motosierra puede ser lanzada hacia atrás contra usted.

8 Si el usuario no resiste la fuerza de la motosierra, puede ocurrir que ésta retroceda tanto que el sector de riesgo de reculada de la espada toque el árbol y se produzca una reculada. (32)

El corte con la parte inferior de la espada, en sentido descendente desde la parte superior del objeto a cortar, se denomina de corte con cadena tirante. La motosierra es tirada hacia el árbol y el canto delantero del cuerpo se apoya contra el tronco. Con esta técnica de cadena tirante, el usuario controla mejor la motosierra y la situación del sector de riesgo de reculada de la espada.

9 Siga las instrucciones de afilado y mantenimiento de la espada y la cadena. Al cambiar la espada y la cadena sólo deben utilizarse las combinaciones recomendadas por nosotros. Vea las instrucciones bajo los títulos Equipo de corte y Datos técnicos.

Técnica básica de corte



¡ATENCIÓN! No utilice nunca una motosierra agarrándola solamente con una mano. Una motosierra no se controla con seguridad con una mano. Agarre con fuerza y firmeza las empuñaduras con ambas manos.

Generalidades

- ¡Para cortar, utilice siempre la aceleración máxima!
- Después de cada corte de sierra, suelte el acelerador y deje el motor en vacío (la aceleración máxima prolongada sin carga, es decir sin que el motor tenga la resistencia de la cadena en el aserrado, produce avería grave del motor).
- Corte descendente = con cadena "tirante".
- Corte ascendente = con cadena "impelente".

La técnica con cadena "impelente" supone un mayor riesgo de reculada. Vea las instrucciones bajo el título Medidas preventivas de las reculadas.

Designaciones

Tronzado = denominación genérica del corte transversal de la madera.

Desramado = corte de las ramas de un árbol talado.

Partición = rotura del objeto que se corta antes de concluir el corte.

Para los trabajos de tronzado deben tenerse en cuenta cinco factores muy importantes:

- 1 El equipo de corte no debe quedar apretado en el surco.
- 2 El objeto que se corta no debe partirse.
- 3 Durante el tronzado y después del mismo, la cadena de la sierra no debe tocar el suelo ni objeto alguno.
- 4 ¿Hay riesgo de reculada?
- 5 ¿Puede la configuración del terreno y el entorno influir en su estabilidad y seguridad para caminar y mantenerse de pie?

El atasco de la cadena y la partición del objeto de corte pueden deberse a dos factores: el apoyo del objeto antes y después del tronzado, y si el objeto a cortar está tenso.

En la mayoría de casos, estos factores pueden evitarse efectuando el tronzado en dos etapas: por arriba y por abajo. Así se neutraliza la propensión del objeto a cortar a apretar la cadena o a partirse.

¡IMPORTANTE! Si la cadena se atasca en el surco: ¡Pare el motor! No intente sacar la motosierra por la fuerza. Si lo hace, puede accidentarse con la cadena cuando se suelta repentinamente la motosierra. Para soltar la motosierra, utilice una palanca.

TECNICA DE TRABAJO

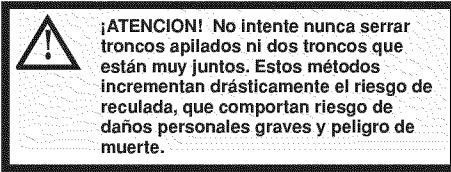
A continuación, se indica un listado teórico de la forma de tratar las situaciones más comunes con que puede enfrentarse un usuario de motosierra.

Desramado

Para cortar ramas gruesas deben aplicarse los mismos principios que para el tronzado.

Corte las ramas difíciles por partes.

Tronzado



Si hay una pila de troncos, se debe separar de ella cada tronco que se va a cortar, colocarlo en un soporte para serrar guiadera y cortarlo por separado.

Aparte los trozos cortados de la zona de trabajo. Si los deja en la zona de trabajo, aumenta el riesgo de reculada por equivocación y el riesgo de perder el equilibrio cuando trabaja.

El tronco en el suelo. No hay riesgo de atasco de la cadena o de partición del objeto de corte. Sin embargo, hay un riesgo considerable de que la cadena toque el suelo después del corte.

Corte desde arriba todo el tronco. Al final del corte, proceda con cuidado para evitar que la cadena toque el suelo. Mantenga la aceleración máxima y esté alerta a lo que va a pasar. (33)

Si es posible (¿puede girarse el tronco?), termine el corte a 2/3 del diámetro del tronco.

Gire el tronco para cortar el tercio restante desde arriba.

El tronco está apoyado en un extremo. Gran riesgo de partición.

Empiece cortando desde abajo (aproximadamente 1/3 del diámetro del tronco).

Termine el corte desde arriba, hasta que se encuentren los dos surcos.

El tronco está apoyado en ambos extremos. Gran riesgo de atasco de la cadena.

Empiece cortando desde arriba (aproximadamente 1/3 del diámetro del tronco).

Termine el corte desde abajo, hasta que se encuentren los dos surcos.

Técnica de tala

¡IMPORTANTE! La tala de árboles requiere mucha experiencia. Un usuario de motosierra inexperto no debe talar árboles. ¡Evite los trabajos para los que no se considere suficientemente capacitado!

Distancia de seguridad

La distancia de seguridad entre el árbol a talar y el lugar de trabajo más cercano debe ser de 2,5 longitudes de árbol. Asegúrese de que no haya nadie en esta "zona de riesgo" antes de la tala y durante la misma. (39)

Dirección de derribo

El derribo tiene por objeto la colocación del árbol de forma que el desramado y tronzado subsiguientes puedan efectuarse en un terreno lo más "fácil" posible. El talador debe poder caminar y mantenerse de pie con seguridad.

Cuando haya decidido en qué dirección quiere derribar el árbol, debe considerar la dirección natural de caída del mismo.

Ésta depende de varios factores:

- Inclinación
- Torcimiento
- Dirección del viento
- Concentración de las ramas
- Peso de la nieve, si la hay
- Obstáculos dentro del alcance del árbol: como otros árboles, cables eléctricos, paredes y edificios.
- Compruebe si el tronco tiene daños o podredumbre, que aumentan la probabilidad de que el árbol se rompa y empiece a caer antes de lo previsto.

Una vez considerados estos factores, puede verse obligado a dejar que el árbol caiga en su dirección natural, ya que es imposible, o demasiado arriesgado, intentar colocarlo en la dirección decidida en un principio.

Otro factor muy importante, que no afecta a la dirección de derribo pero sí a su seguridad personal, es el control de que el árbol no tenga ramas dañadas o "muertas" que puedan romperse por sí solas y dañarle a Ud. durante la tala.

Ante todo, debe evitarse que el árbol derribado se atasque en otro árbol. Es muy peligroso retirar un árbol atascado y hay un elevado riesgo de accidente. Vea las instrucciones bajo el título Tratamiento de una tala fallida.

¡IMPORTANTE! En momentos críticos de la tala deberán levantarse los protectores auriculares apenas termine el aserrado, a fin de poder advertir ruidos y señales de advertencia.

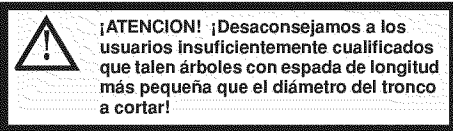
Corte de ramas bajas y camino de retirada

Destrame el ronco hasta la altura del hombro. Es más seguro trabajar de arriba a abajo y tener el tronco entre usted y la motosierra.

Limpie la vegetación que hay alrededor del árbol y elimine los eventuales obstáculos (piedras, ramas, huecos, etc.) para tener preparado un camino de retirada cuando empiece a caer el árbol. El camino de retirada debe estar a unos 135°, oblicuamente hacia atrás, de la dirección de derribo prevista. **(40)**

- 1 Zona de riesgo
- 2 Vía de retirada
- 3 Dirección de derribo

Tala



La tala se hace con tres cortes. Se empieza con el corte de indicación, compuesto por un corte superior y un corte inferior; y se termina con el corte de derribo. Con la ubicación correcta de estos cortes puede controlarse con gran exactitud la dirección de derribo.

Corte de indicación

El corte de indicación se inicia con el corte superior. Sitúese a la derecha del árbol y corte con cadena tirante.

Luego, efectúe el corte inferior, que debe terminar exactamente donde terminó el corte superior. **(41)**

La profundidad del corte de indicación debe ser igual a 1/4 del diámetro del tronco, y el ángulo entre los cortes superior e inferior debe ser de 45° como mínimo.

La convergencia de ambos cortes se denomina línea de corte de indicación. La línea de corte de indicación debe ser perfectamente horizontal y formar un ángulo recto (90°) con la dirección de derribo elegida. **(42)**

Corte de derribo

El corte de derribo se hace en el lado opuesto del árbol y debe ser perfectamente horizontal. Sitúese a la izquierda del árbol y corte con cadena tirante.

Sitúe el corte de derribo a unos 3-5 cm (1,5-2 pulgadas) por encima del plano horizontal del corte de indicación.

El corte de derribo debe quedar paralelo con la línea de corte de indicación, con una distancia mínima entre ambos de 1/10 del diámetro del tronco. La parte del tronco sin cortar se denomina faja de desgaje.

La faja de desgaje funciona como una bisagra que dirige la dirección de derribo del árbol. **(44)**

Se pierde completamente el control de la dirección de derribo del árbol si la faja de desgaje es demasiado pequeña o se atraviesa al cortar, o si los cortes de indicación y derribo están mal situados.

Cuando están terminados los cortes de indicación y de derribo, el árbol debe empezar a caer; bien por sí solo, o con ayuda de la cuña de derribo o de la barra desgajadora.

Recomendamos emplear una longitud de espada mayor que el diámetro del tronco para que los cortes de derribo e indicación se puedan hacer con un "corte sencillo". Vea las instrucciones del capítulo Datos técnicos en lo referente a las longitudes de espada recomendadas para su modelo de motosierra.

Hay técnicas para la tala de árboles con diámetros de tronco más grandes que la longitud de la espada. Estas técnicas conllevan un riesgo considerable de que el sector de riesgo de reculada de la espada toque un objeto.

Tratamiento de una tala fallida

Derribo de un árbol "atascado"

Es muy peligroso retirar un árbol atascado y hay un elevado riesgo de accidente.

No intente nunca cortar árboles talados apoyados sobre otros.

No trabaje nunca dentro de la zona de riesgo de árboles talados atascados y suspendidos.

El método más seguro es utilizar un torno.

- Montado en un tractor
- Portátil

Corte de árboles y ramas tensos

Preparativos: Estime el sentido de la tensión y dónde tiene su punto de ruptura (es decir, el punto en el que se rompería si se siguiera tensando).

Determine la forma más segura de soltar la tensión y también, si Ud. puede hacerlo. En situaciones muy complicadas, el único método seguro consiste en utilizar un torno en vez de la motosierra.

Generalidades:

Sitúese de modo que no haya riesgo de que sea alcanzado por el tronco/la rama cuando se suelte.

Haga uno o varios cortes en el punto de ruptura o cerca del mismo. Corte a la profundidad requerida y con el número de cortes necesarios para que la tensión del tronco/la rama se suelte lo suficiente para que el tronco/la rama se "parta" en el punto de ruptura.

¡No corte nunca del todo un objeto en tensión!

Si necesita cortar a través del árbol/rama, haga dos o tres cortes con una separación de 3 cm y una profundidad de 3 a 5 cm.

Continúe serrando a más profundidad hasta que soltar la fuerza y la tensión del árbol/rama.

Sierre el árbol/rama desde el lado opuesto después de soltar la tensión.

Medidas preventivas de las reculadas



¡ATENCIÓN! Las reculadas pueden ser rapidísimas, repentinas y violentas, lanzando la motosierra, la espada y la cadena contra el usuario. Si la cadena en movimiento toca al usuario, pueden producirse lesiones muy graves e incluso mortales. Es necesario comprender las causas de las reculadas y que pueden evitarse procediendo con cuidado y trabajando con la técnica correcta.

¿Qué es la reculada?

Reculada es la denominación de una reacción repentina por la que la motosierra y la espada salen despedidas de un objeto que ha entrado en contacto con el cuadrante superior de la punta de la espada, denominado sector de riesgo de reculada. (32)

La reculada sigue siempre el sentido del plano de la espada. Lo más común es que la motosierra y la espada reboten hacia atrás en sentido ascendente, hacia el usuario. También hay otros sentidos de reculada dependiendo de la posición de la motosierra en el momento en que el sector de riesgo de reculada de la espada toca un objeto.

La reculada sólo puede producirse cuando el sector de riesgo de reculada de la espada toca un objeto. (45)

Desramado



¡ATENCIÓN! La mayoría de accidentes por reculada ocurren al desramar. No use el sector de riesgo de reculada de la espada. Proceda con sumo cuidado y evite que la punta de la espada entre toque en el tronco, en otras ramas o en objetos. Proceda con sumo cuidado con las ramas que están tensadas. Pueden ser despedidas contra usted y hacerle perder el control, con el riesgo consiguiente de daños.

¡Cerciórese de que pueda caminar y mantenerse de pie con seguridad! Trabaje desde el lado izquierdo del tronco. Trabaje lo más cerca posible de la motosierra para máximo control. Cuando sea posible, descargue el peso de la motosierra apoyándola en el tronco.

Desplácese solamente cuando el tronco esté situado entre Ud. y la motosierra.

Tronzado del tronco

Vea las instrucciones bajo el título Técnica básica de corte.

Generalidades

El usuario sólo puede efectuar los trabajos de mantenimiento y servicio descritos en este manual. Los trabajos de mayor envergadura debe efectuarlos un taller de servicio oficial.

Ajuste del carburador

Su producto ha sido diseñado y fabricado conforme a especificaciones que reducen las emisiones nocivas.

Funcionamiento

- El régimen del motor se controla mediante el acelerador y el carburador. En el carburador se efectúa la dosificación de la mezcla de aire y combustible. La mezcla de air/combustible no es ajustable excepto por un técnico capacitado. Para obtener la potencia máxima de la máquina, el reglaje de la dosificación debe ser correcto.
- Con el tornillo T se regula la posición del acelerador en ralentí. El ralentí se aumenta girando el tornillo T en el sentido de las agujas del reloj y se reduce girándolo en sentido contrario a las agujas del reloj.

Reglaje básico y rodaje

El reglaje básico del carburador se lleva a cabo en las pruebas que se hacen en fábrica. El ajuste fino debe ser llevada a cabo por un técnico capacitado.

Reglaje preciso del ralentí, tornillo T

El ralentí se regula con el tornillo marcado con una T. Para regular, enrosque (en el sentido de las agujas del reloj) el tornillo T con el motor en marcha hasta que empiece a girar la cadena. A continuación, desenrosque (en sentido contrario a las agujas del reloj) hasta que la cadena se pare. El reglaje del régimen de ralentí es correcto cuando el motor funciona regularmente en todas las posiciones, habiendo un buen margen hasta el régimen en que empieza a girar la cadena.



¡ATENCIÓN! Si el régimen de ralentí no puede ajustarse para que se pare la cadena, acuda a un taller de servicio. No utilice la motosierra hasta que esté correctamente regulada o reparada.

Control, mantenimiento y servicio del equipo de seguridad de la motosierra

Aclaración! Para todos los trabajos de servicio y reparación de la máquina es necesaria una capacitación especial. Esto es especialmente aplicable al equipo de seguridad. Si la máquina no da resultados satisfactorios en alguno de los controles de la lista abajo, le recomendamos que acuda a un taller de servicio. Todas las medidas de mantenimiento que no estén indicadas en este manual deben ser efectuadas por una tienda autorizada con servicio (distribuidor).

Pare el motor y quite el cable de encendido antes de una reparación o mantenimiento

Freno de cadena con protección contra reculadas

Control del desgaste de la cinta de freno

Limpie el freno de cadena y el tambor de embrague de serrín, resina y suciedad. La suciedad y el desgaste perjudican la función de frenado. (34)

Control regularmente que el punto más desgastado de la cinta de freno tenga un mínimo de 0.024" (0,6 mm) de grosor.

Control de la protección contra reculadas

Compruebe que la protección contra reculadas esté intacta, sin defectos visibles como, por ejemplo, grietas.

Empuje la protección contra reculadas adelante y atrás para comprobar que se mueve con facilidad y que está firmemente anclada a su articulación en la cubierta del embrague. (35)

Control de la función de inercia

Mantenga la motosierra, con el motor parado, sobre un tocón u otro objeto estable. Suelte la empuñadura delantera y deje caer la motosierra por su propio peso, rotando en la empuñadura trasera, contra el tocón.

El freno de cadena debe activarse cuando la punta de la espada toca el tocón. (37)

Control del efecto de frenado

Coloque la motosierra sobre una base firme y arránquela. Fíjese que la cadena no entre en contacto con el suelo u otro objeto. Consulte las instrucciones bajo el título Arranque y parada.

Sostenga la motosierra con firmeza, agarrando los mangos con todos los dedos.

Acelere al máximo y active el freno de cadena girando la muñeca izquierda hacia la protección contra reculadas.

No suelte el mango delantero. **La cadena debe detenerse inmediatamente.**

Fiador del acelerador

- Compruebe que el acelerador esté bloqueado en la posición de ralentí cuando el fiador está en su posición inicial.
- Apriete el fiador del acelerador y compruebe que vuelva a su posición de partida al soltarlo.
- Compruebe que el acelerador y el fiador se muevan con facilidad y que funcionen sus muelles de retorno.
- Arranque la motosierra y acelere al máximo. Suelte el acelerador y compruebe que la cadena se pare y permanezca inmóvil. Si la cadena gira con el acelerador en la posición de ralentí debe controlarse el reglaje de ralentí del carburador.

Captor de cadena

Compruebe que el captor de cadena esté intacto y que esté firmemente montado al cuerpo de la motosierra.

Protección de la mano derecha

Compruebe que la protección de la mano derecha esté intacta, sin defectos visibles como, por ejemplo, grietas.

Sistema amortiguador de vibraciones

Compruebe regularmente que los elementos antivibraciones no estén agrietados o deformados.

Compruebe que los elementos antivibraciones estén bien anclados entre la parte del motor y la parte de los mangos, respectivamente.

Botón de parada

Arranque el motor y compruebe que se pare cuando se mueve el botón de parada a la posición de parada. **(28)**

Silenciador

Nunca utilice una máquina que tenga un silenciador defectuoso. Compruebe regularmente que el silenciador esté firmemente montado en la máquina.

Aclaración: La rejilla de parachispas (A) de esta máquina es reparable. Si la rejilla tiene desperfectos, cámbiela. Con una rejilla obturada, la máquina se sobrecalienta y se averían el cilindro y el pistón. No utilice nunca la máquina si el silenciador está en mal estado. **Nunca utilice un silenciador sin una rejilla apagachispas o con una rejilla apagachispas defectuosa. (7)**

Tras 75 horas de uso, le recomendamos que solicite a su distribuidor que sustituya el silenciador.

Filtro de aire

El filtro de aire debe limpiarse regularmente de polvo y suciedad para evitar:

- Fallos del carburador
- Problemas de arranque
- Reducción de la potencia
- Desgaste innecesario de las piezas del motor
- Un consumo de combustible excesivo

- Desmontar el filtro de aire (3) después de quitar la cubierta del cilindro, el tornillo (1) y la cubierta del filtro de aire (2). Al montar el filtro de aire, comprobar que las juntas quedan bien apretadas contra el soporte del filtro. Limpiar el filtro cepillándolo o agitándolo. **(36)**

Para una limpieza a fondo del filtro, lávelo en agua jabonosa.

Un filtro utilizado durante mucho tiempo no puede limpiarse del todo. Por tanto, hay que cambiarlo a intervalos regulares. **Un filtro de aire averiado debe cambiarse.**

Bujía

Los factores siguientes afectan al estado de la bujía:

- Carburador mal regulado.
- Mezcla de aceite inadecuada en el combustible (demasiado aceite o aceite inadecuado).
- Filtro de aire sucio.

Estos factores producen revestimientos en los electrodos de la bujía que pueden ocasionar perturbaciones del funcionamiento y dificultades de arranque.

Si la potencia de la máquina es demasiado baja, si es difícil arrancar la máquina o si el ralentí es irregular: revise primero la bujía antes de tomar otras medidas. Si la bujía está muy sucia, límpiela y compruebe que la separación de los electrodos sea de 0,5 mm. La bujía debe cambiarse aproximadamente después de un mes de funcionamiento o más a menudo si es necesario. **(38)**

Aclaración! ¡Utilice siempre el tipo de bujía recomendado! Una bujía incorrecta puede arruinar el pistón y el cilindro. Asegúrese de que la bujía tenga supresión de perturbaciones radioeléctricas.

Depuración centrífuga "CCS"

Con la depuración centrífuga, todo el aire que va al carburador entra (es absorbido) a través del mecanismo de arranque. El ventilador de enfriamiento evacúa centrífugamente la suciedad y el polvo.

¡IMPORTANTE! Para que la depuración centrífuga funcione satisfactoriamente, debe efectuarse un mantenimiento constante del sistema. Limpie la toma de aire del mecanismo de arranque, las palas de ventilador del volante, el espacio alrededor del volante, el tubo de admisión y el compartimiento del carburador.

MANTENIMIENTO

Programa de mantenimiento

A continuación incluimos una lista con los puntos de mantenimiento a efectuar en la máquina. La mayoría de los puntos se describen en el capítulo "Mantenimiento".

Mantenimiento diario	Mantenimiento semanal	Mantenimiento mensual
Limpie la parte exterior de la máquina.	Controle el mecanismo de arranque, la cuerda y el muelle de retorno.	Compruebe si está desgastada la cinta del freno de cadena. Cámbiela cuando quede menos de 0,6 mm en el punto más gastado.
Compruebe que los componentes del acelerador funcionen con seguridad. (Fiador y acelerador.)	Compruebe que estén intactos los aisladores de vibraciones.	Compruebe si están desgastados el centro, el tambor y el muelle de embrague.
Limpie el freno de cadena y compruebe que funcione con seguridad. Verifique que el captor de cadena esté intacto y cámbielo si es necesario.	Lime las eventuales rebabas en los lados de la espada.	Limpie la buja. Compruebe que la separación de los electrodos sea de 0,5 mm.
Dé vuelta la espada cada día para que el desgaste sea regular. Compruebe que el orificio de lubricación de la espada no esté obturado. Limpie la guía de la cadena.	Limpie el compartimento del carburador.	Limpie el exterior del carburador.
Compruebe que la espada y la cadena reciban aceite suficiente.	Limpie el filtro de aire. Cámbielo si es necesario.	Revise el filtro y el conducto de combustible. Cámbielos si es necesario.
Revise la cadena de sierra en lo referente a grietas en remaches y eslabones, rigidez de la cadena o desgaste anormal de remaches y eslabones. Cambie las piezas gastadas.		Vacíe el depósito de combustible y límpielo interiormente.
Afile la cadena y compruebe su tensado y su estado. Verifique que el piñón de arrastre de la cadena no esté demasiado desgastado, cámbielo si es necesario.		Vacíe el depósito de aceite y límpielo interiormente.
Limpie la toma de aire del mecanismo de arranque.		Revise todos los cables y conexiones.
Compruebe que los tornillos y las tuercas estén apretados.		
Controle que el mando de detención funcione.		
Controle que no haya fugas de combustible del motor, del depósito o de los conductos de combustible.		

TABLA DIAGNOSTICA

⚠ ADVERTENCIA: Siempre apague el producto y desconecte la bujía antes de hacer cualquiera de las reparaciones recomendadas a continuación excepto reparaciones que requieran que el producto esté en operación.

PROBLEMA	CAUSA	SOLUCION
El motor no arranca o se mantiene en marcha sólo unos segundos después de arrancar.	<ol style="list-style-type: none"> 1. El interruptor está en posición STOP. 2. El motor está ahogado. 3. El tanque de combustible está vacío. 4. La bujía no hace chispa. 5. El combustible no está llegando al carburador. 6. El carburador requiere ajuste. 7. Ninguno de los anteriores. 	<ol style="list-style-type: none"> 1. Coloque el interruptor en ON. 2. Vea "Arranque Difícil" en la sección Uso. 3. Llene el tanque con la mezcla correcta de combustible. 4. Instale una bujía nueva. 5. Verifique si el filtro de combustible está sucio; límpielo. Verifique si hay dobleces en la línea de combustible o si está partida: repárla o cámbiela. 6. Entre en contacto con el Servicio Sears (vea parte trasera del manual). 7. Entre en contacto con el Servicio Sears (vea parte trasera del manual).
El motor no anda en marcha lenta como debe.	<ol style="list-style-type: none"> 1. Las revoluciones de la marcha lenta están muy altas o muy bajas. 2. La Mezcla para Bajas Revoluciones requiere ajuste. 3. Las juntas del cigüeñal están gastadas. 4. La compresión está baja. 5. Ninguno de los anteriores. 	<ol style="list-style-type: none"> 1. Vea "Ajuste al Carburador" en la sección Servicio y Ajustes. 2. Entre en contacto con el Servicio Sears (vea parte trasera del manual). 3. Entre en contacto con el Servicio Sears (vea parte trasera del manual). 4. Entre en contacto con el Servicio Sears (vea parte trasera del manual). 5. Entre en contacto con el Servicio Sears (vea parte trasera del manual).

TABLA DIAGNOSTICA

TABLA DIAGNOSTICA (continuado)

PROBLEMA	CAUSA	SOLUCION
El motor no acelera, le falta potencia o se para bajo carga.	<ol style="list-style-type: none"> 1. El filtro de aire está sucio. 2. La bujía está carbonizada 3. El carburador requiere ajuste. 4. Los puertos de escape o las aberturas de salida del silenciador están tapados. 5. La compresión está baja. 6. La freno de cadena es activado. 7. Ninguno de los anteriores. 	<ol style="list-style-type: none"> 1. Limpie o cambie el filtro de aire. 2. Limpie o cambie la bujía y calibre la separación. 3. Entre en contacto con el Servicio Sears (vea parte trasera del manual). 4. Entre en contacto con el Servicio Sears (vea parte trasera del manual). 5. Entre en contacto con el Servicio Sears (vea parte trasera del manual). 6. Desactive el freno de cadena. 7. Entre en contacto con el Servicio Sears (vea parte trasera del manual).
El motor humea excesivamente.	<ol style="list-style-type: none"> 1. El cebador está parcialmente accionado. 2. La mezcla de combustible se ha hecho 3. El filtro de aire está sucio. 4. La mezcla para Altas Revoluciones requiere ajuste. 5. El cárter está perdiendo. 	<ol style="list-style-type: none"> 1. Ajuste el cebador. 2. Vacíe el tanque de combustible y llénelo de combustible con la mezcla correcta. 3. Limpie o cambie el filtro aire. 4. Entre en contacto con el Servicio Sears (vea parte trasera del manual). 5. Entre en contacto con el Servicio Sears (vea parte trasera del manual).
El motor marcha con temperatura elevada.	<ol style="list-style-type: none"> 1. La mezcla de combustible se ha hecho 2. Se ha instalado la bujía 3. La Mezcla para Altas Revoluciones está demasiado pobre. 4. Los puertos de escape o las aberturas de salida silenciador están tapados. 5. Acumulación del carbón. en el rejilla antichispas. 6. Caja del arranque sucio. 7. Ninguno del antedicho. 	<ol style="list-style-type: none"> 1. Llene el tanque con la mezcla correcta de combustible. 2. Cámbiela por la bujía correcta. 3. Entre en contacto con el Servicio Sears (vea parte trasera del manual). 4. Entre en contacto con el Servicio Sears (vea parte trasera del manual). 5. Vea "Para Limpiar la Rejilla Antichispas" en la sección Mantenimiento. 6. Limpie el área. 7. Entre en contacto con el Servicio Sears (vea parte trasera del manual).
Insuficiencia de aceite para lubricar la barra y cadena.	<ol style="list-style-type: none"> 1. El tanque de aceite está 2. El bombeador de aceite o el filtro de aceite está tapado. 3. El orificio para aceite en la barra está tapado. 	<ol style="list-style-type: none"> 1. Llene el tanque de aceite. 2. Entre en contacto con el Servicio Sears (vea parte trasera del manual). 3. Saque la barra y límpiela.
La cadena se mueve en marcha lenta.	<ol style="list-style-type: none"> 1. La marcha lenta requiere ajuste. 2. El embrague reauiere reparaciones. 	<ol style="list-style-type: none"> 1. Vea "Ajuste al Carburador" en la sección Servicio y Ajustes. 2. Entre en contacto con el Servicio Sears (vea parte trasera del manual).

TABLA DIAGNOSTICA

TABLA DIAGNOSTICA (continuado)

PROBLEMA	CAUSA	SOLUCION
La cadena no se mueve cuando se acelera el motor.	<ol style="list-style-type: none"> 1. La cadena está demasiado tensionada. 2. El carburador requiere ajuste. 3. Los rieles de la barra guía están apretados. 4. El deslizarse de embrague. 5. La freno de cadena es activado. 	<ol style="list-style-type: none"> 1. Vea "Verifique la Tensión de la Cadena" en la sección Mantenimiento. 2. Entre en contacto con el Servicio Sears (vea parte trasera del manual). 3. Repara o reemplace. 4. Entre en contacto con el Servicio Sears (vea parte trasera del manual). 5. Desactive el freno de cadena.
La cadena golpea o corta desparejo.	<ol style="list-style-type: none"> 1. La Cadena está incorrectamente tensionada. 2. Las cuchillas están dañadas. 3. La cadena está gastada. 4. Las cuchillas están desafiladas o mal afiladas o los medidores de profundidad están muy altos. 5. Engranaje desgastada. 6. La cadena instalado hacia atrás. 	<ol style="list-style-type: none"> 1. Vea "Verifique la Tensión de la Cadena" en la sección Mantenimiento. 2. Entre en contacto con el Servicio Sears (vea parte trasera del manual). 3. Afile o cambie la cadena. 4. Vea "Afilación de la Cadena" en la sección Servicio y Ajustes. 5. Entre en contacto con el Servicio Sears (vea parte trasera del manual). 6. Instale el cadena en la dirección derecha.
Parada del cadena dentro del corte.	<ol style="list-style-type: none"> 1. La parte de arriba de las cuchillas no están planas. 2. La barra tiene protuberancias o está torcida o los rieles están desparejos. 3. El embrague está patinando. 	<ol style="list-style-type: none"> 1. Vea "Afilación de la Cadena" en la sección Servicio y Ajustes. 2. Repara o reemplace la barra guía. 3. Entre en contacto con el Servicio Sears (vea parte trasera del manual).
La cadena corta en ángulo.	<ol style="list-style-type: none"> 1. Las cuchillas están dañadas por un lado. 2. Cadena no esta afilada. 3. Barra guía esta doblada o desgastada. 	<ol style="list-style-type: none"> 1. Vea "Afilación de la Cadena" en la sección Servicio y Ajustes. 2. Vea "Afilación de la Cadena" en la sección Servicio y Ajustes. 3. Reemplace la barra guía.


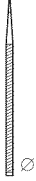

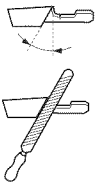

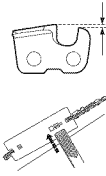
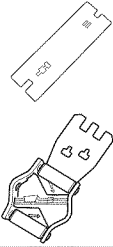
Si acontecen situaciones no previstas en este manual, actue con cautela y use buen criterio. Si necesita ayuda, entre en contacto con el Centro de Servicio Sears o llame al TELEFONO DE AYUDA AL CONSUMIDOR al 1-800-235-5878.

DATOS TECNICOS

Combinaciones de espada y cadena

Espada				Cadena	
Longitud, pulgadas	Paso, pulgadas	Anchura de ranura, pulgadas	Máximo número de dientes, cabezal de rueda	Tipo	Longitud, eslabones de arrastre (unidad)
16	3/8	0.050	7 T	91 PX	56

Afilado y calibres de afilado de la cadena de sierra

						
91PX	inch/mm 5/32"/4,0	60°	30°	0°	inch/mm 0.025"/0,65	5796536-01

DECLARACION DE GARANTIA DE CONTROL DE EMISION U.S. EPA / CALIFORNIA / AGENCIA AMBIENTAL CANADIENSE

IMPORTANTE: Este producto es conforme con la normativa Fase 3 de la Agencia de Protección Ambiental de los Estados Unidos (EPA) referente a emisiones de escape y evaporación. Para asegurar la conformidad con EPA Fase 3, se recomienda utilizar sólo repuestos originales. El uso de otro tipo de repuestos incumple las leyes federales.

SUS DERECHOS Y OBLIGACIONES DE GARANTIA: La Agencia de Protección Ambiental de los Estados Unidos, la Junta de Recursos Ambientales de California, la Agencia Ambiental Canadiense y **Sears Brands Management Corporation, U.S.A. (Sears)** se complacen en explicar la garantía con la que cuenta el sistema de control de emisión en su motor pequeño, modelo 2014 y más adelante para uso fuera de carretera. En California, todos los motores pequeños para uso fuera de carretera deben ser diseñados, construidos y equipados para satisfacer las rigurosas normas antihumo que posee el estado. **Sears** deberá garantizar el sistema de control de emisión en su máquina de motor pequeño para uso fuera de carretera por los períodos de tiempo que explicamos a continuación y con la condición de que su máquina de motor pequeño para uso fuera de carretera no haya sufrido ningún tipo de abuso, negligencia o mantenimiento inapropiado. Su sistema de control de emisión incluye piezas tales como el carburador, el sistema de ignición y el tanque de combustible, línea de combustible y tapa. Donde exista una condición que requiera reparación bajo garantía, **Sears** reparará gratis su motor pequeño para uso fuera de carretera. Los gatos cubiertos bajo la garantía incluyen el diagnóstico, las piezas y labor.

CUBIERTA DE GARANTIA DEL FABRICANTE: Si cualquier pieza relacionada con el sistema de emisión de su motor (como hemos enumerado en la lista de piezas de control de emisión bajo garantía) se encontrara defectuosa o defectos en el material o en la labor del motor causarían que tal pieza comenzara a fallar, la pieza será reparada o reemplazada por **Sears**.

GARANTIA DE RESPONSABILIDAD DE DEL DUEÑO: Como dueño de una máquina de motor pequeño para uso fuera de carretera, usted será responsable por el mantenimiento o adecuado en los períodos previamente programados y enumerados en su manual de instrucciones. **Sears** recomienda que guarde todos los recibos que indiquen que se ha desempeñado mantenimiento en su máquina de motor pequeño para uso fuera de carretera, pero **Sears** no podrá negar el servicio bajo garantía únicamente a causa de la falta de recibos o por el incumplimiento de su parte en asegurarse que el mantenimiento programado haya sido desempeñado. Como dueño de una máquina de motor pequeño para uso fuera de carretera, usted deberá contar con el conocimiento de que **Sears** puede negar la cubierta bajo garantía si su máquina de motor pequeño para uso fuera de carretera o alguna pieza de la misma ha dejado de funcionar debido al abuso, negligencia, mantenimiento inapropiado, modificaciones no aprobadas o el uso de piezas que no hayan sido fabricadas o aprobadas por el fabricante original del equipo. Es responsabilidad suya el llevar su máquina de motor pequeño para uso fuera de carretera a un centro de reparación autorizado **Sears** tan pronto como se presente el problema. Las reparaciones bajo garantía deberán ser completadas en un período de tiempo razonable, que no exceda los 30 días. Si cuenta usted con alguna pregunta en relación a sus derechos y responsabilidades de garantía, usted deberá comunicarse con su centro de servicio autorizado más cercano.

Por favor comuníquese **Sears** al 1-888-331-4569 o envíe la correspondencia por correo electrónico a emission.warranty@us.hwyan.net.

FECHA DEL COMIENZO DE LA GARANTIA: El período de garantía comienza en la fecha de compra de la máquina de motor pequeño para uso fuera de carretera.

DURACION DE LA GARANTIA: Esta garantía cuenta con un período de duración de dos años comenzando en la fecha inicial de compra, o hasta el final del garantía de producto (cualquiera que sea más largo).

QUE CUBRE LA GARANTIA: REPARACION O REEMPLAZO DE PIEZAS. La reparación o el reemplazo de cualquier pieza garantizada serán desempeñados y ofrecidos al dueño sin costo alguno en un centro de servicio **Sears**. Si cuenta usted con alguna pregunta en relación a sus derechos y responsabilidades de garantía, usted deberá comunicarse con su centro de servicio autorizado más cercano.

Por favor comuníquese **Sears** al 1-888-331-4569 o envíe la correspondencia por correo electrónico a emission.warranty@us.hwyan.net.

PERIODO DE GARANTIA: Cualquier pieza garantizada que no esté programada para ser reemplazada como parte del mantenimiento requerido, o que esté programada únicamente para inspección regular para efectos de "reparación o reemplazo si fuera necesario" deberá garantizarse por un período de dos años. Cualquier pieza garantizada que esté programada para ser reemplazada como parte del mantenimiento requerido deberá estar garantizada por el período de tiempo que comienza en la fecha de compra inicial hasta la fecha del primer reemplazo programado para dicha pieza.

DIAGNOSTICO: No se deberá cobrar al dueño ningún tipo de cargos por la labor de diagnóstico la cual determine que una pieza garantizada se encuentra defectuosa si el trabajo de diagnóstico ha sido desempeñado por un centro de servicio autorizado **Sears**.

DANOS POR CONSECUENCIA: **Sears** podrá ser responsable de daños ocurridos a otras piezas del motor causados por la falla de una pieza garantizada que se encuentre bajo el período de garantía.

QUE NO CUBRE LA GARANTIA: Todas las fallas causadas por el abuso, negligencia o mantenimiento inapropiado no están cubiertas.

PIEZAS AÑADIDAS O MODIFICADAS: El uso de piezas añadidas o la modificación de piezas podrán servir como base para que se anule la reclamación de garantía. La garantía de **Sears** no se responsabiliza por el mal funcionamiento debido al uso de piezas añadidas o de piezas modificadas.

COMO ENTABLAR UNA RECLAMACION: Si cuenta usted con alguna pregunta relacionada con sus derechos y responsabilidades de garantía, usted deberá entrar en contacto con su centro de servicio autorizado **Sears** más cercano.

Por favor comuníquese **Sears** al 1-888-331-4569 o envíe la correspondencia por correo electrónico a emission.warranty@us.hwyan.net.

DONDE OBTENER SERVICIO DE GARANTIA: Servicio o reparaciones bajo garantía deberán ser provistas en todos los centros de servicio **Sears**.

Por favor comuníquese **Sears** al 1-888-331-4569 o envíe la correspondencia por correo electrónico a emission.warranty@us.hwyan.net.

MANTENIMIENTO, REEMPLAZO Y REPARACION DE PIEZAS RELACIONADAS CON LA EMISION: Cualquier pieza de repuesto **Sears** aprobada y utilizada en el desempeño de cualquier servicio de mantenimiento o servicio de reparación bajo garantía de piezas relacionadas con la emisión será provisto sin costo alguno al dueño si la pieza se encuentra bajo garantía.

LISTA DE PIEZAS DE CONTROL DE EMISION GARANTIZADAS: Carburador, filtro de aire (cubierto hasta la fecha de mantenimiento programada), sistema de ignición: bujía (cubierto hasta la fecha de mantenimiento programada), módulo de ignición, silenciador incluido al catalizador (si está equipado), tanque de combustible, línea de combustible y tapa.

DECLARACION DE MANTENIMIENTO: El dueño es responsable de adquirir todo el mantenimiento requerido como lo define en el manual de instrucciones.

Se certifica este motor para satisfacer los requisitos de emisión para los uso siguientes:

Moderado (50 horas)

PRECAUCIONES DE SEGURIDAD DE LA NORMA AMERICANA

Precauciones de seguridad para usuarios de motosierras

(ANSI B175.1-2012 Anexo C)

Precauciones de seguridad en reculadas



ATENCIÓN! La reculada se puede producir cuando la punta de la espada toca en un objeto o cuando la madera se cierra y agarra la cadena de la motosierra en el corte.

En algunos casos el contacto de la punta de la espada puede causar una reacción de inversión rapidísima que hace rebotar la espada hacia arriba y atrás hacia el operador.

El agarre de la cadena de la motosierra a lo largo de la parte superior de la espada puede empujar la espada rápidamente hacia atrás, contra el operador.

Cualquiera de estas reacciones puede hacerle perder el control de la motosierra, con el riesgo consiguiente de daños personales graves.

No confíe exclusivamente en los dispositivos de seguridad de su motosierra. Usted, como usuario de motosierra, debe tomar varias medidas para que sus trabajos de corte no comporten riesgo de accidentes y daños personales.

Con una comprensión básica del efecto de reculada, usted puede reducir o eliminar el factor sorpresa. La sorpresa súbita contribuye a los accidentes.

Agarre firmemente la motosierra con ambas manos, con la mano derecha en la empuñadura trasera y la mano izquierda en la empuñadura delantera, cuando el motor está en marcha. Agarre fuerte con los pulgares y dedos envolviendo las empuñaduras de la motosierra. Un agarre firme le ayudará a reducir la reculada y mantener el control de la motosierra. No suelte las empuñaduras.

Asegúrese de que no hay obstáculos en la zona en que está cortando. No permita que la punta de la espada entre en contacto con troncos, ramas ni ningún otro obstáculo que pudiera tocarse cuando se utiliza la motosierra.

Corte con velocidades altas del motor.

No extienda demasiado ni corte por encima de la altura del hombro.

Siga las instrucciones de afilado y mantenimiento del fabricante de la cadena.

Utilice solamente las espadas y cadenas de repuesto especificadas por el fabricante o equivalentes.

Otras precauciones de seguridad



¡ATENCIÓN! No maneje la motosierra con una mano. El manejo con una sola mano comporta riesgo de daños graves al operador, los ayudantes, espectadores o a una combinación de estas personas. Las motosierras están concebidas para usar con dos manos.

No utilice una motosierra si está fatigado.

Use calzado, ropas ceñidas, guantes protectores y protecciones de ojos, auriculares y de cabeza.

Proceda con cuidado al manipular combustible. Aparte la motosierra a como mínimo 3 metros del lugar de repostaje antes de poner en marcha el motor.

No permita la presencia de otras personas cerca de la motosierra al ponerla en marcha o al cortar. Mantenga a los espectadores y animales fuera de la zona de trabajo.

No empiece a cortar sin tener la zona de trabajo esté despejada, los pies firmemente en el suelo y una ruta de retirada del árbol abatido.

Mantenga todas las partes de su cuerpo apartadas de cadena de la motosierra cuando funciona el motor.

Antes de poner en marcha el motor, compruebe que la cadena de la motosierra no toca en nada.

Transporte la motosierra con el motor parado, la espada y la cadena en la parte trasera y el silenciador apartado de su cuerpo.

No utilice una motosierra que esté dañada, incorrectamente ajustada o que no esté armada completamente y de forma segura. Compruebe que la cadena de la motosierra deja de moverse cuando se suelta el acelerador.

Para el motor antes de colocar la motosierra en el suelo.

Proceda con suma precaución al cortar arbustos y arbolitos pequeños porque podría agarrarse material fino en la cadena y ser lanzado contra usted o hacerle perder el equilibrio.

Cuando corte una rama tensada, preste atención al retorno para que no le golpee cuando se suelta la tensión en las fibras de madera.

Mantenga las empuñaduras secas, limpias y libres de aceite o mezcla de combustible.

No utilice una motosierra en un árbol.

No utilice una motosierra en un árbol si no ha sido especialmente formado para ello.

No utilice una motosierra por encima de la altura del hombro.

Todos los trabajos de servicio de una motosierra, excepto los que se indican en las instrucciones de seguridad y mantenimiento del manual del operador/propietario, deben ser realizados por técnicos de servicio de motosierras competentes. (Por ejemplo, si se utilizan herramientas inadecuadas para desmontar el volante o si se usa una herramienta inadecuada para sujetar el volante cuando se desmonta el embrague, pueden producirse daños estructurales en el volante que causen la rotura del mismo.)

Para transportar la motosierra, utilice la protección de espada adecuada.

Aclaración: Este anexo está destinado principalmente al consumidor o usuario ocasional.

NOTES

NOTES

CRAFTSMAN®

Product questions or problems?

1-888-331-4569

Customer Care Hot Line

**Get answers to questions, troubleshoot problems,
order parts, or schedule repair service.**

Para respuestas a preguntas o problemas, y ordenar
piezas o pedir servicio para la reparación de su equipo.

To help us help you, register your product at www.craftsman.com/registration

Para poderte ayudar mejor, registra tu producto en www.craftsman.com/registration

Join the Craftsman Club today!

CRAFTSMAN® CLUB

www.craftsman.com/signup

**Receive exclusive member benefits including special pricing and offers,
project sharing, expert advice, and SHOP YOUR WAY REWARDS!**

Como miembro exclusivo, recibe diversos beneficios como ofertas, precios especiales, proyectos nuevos, consejos de expertos y nuestro programa de puntos SHOP YOUR WAY REWARDS!

® Registered Trademark / ™ Trademark of KCD IP, LLC in the United States, or Sears Brands, LLC in other countries
® Marca Registrada / ™ Marca de Fábrica de KCD IP, LLC en Estados Unidos, o Sears Brands, LLC en otros países