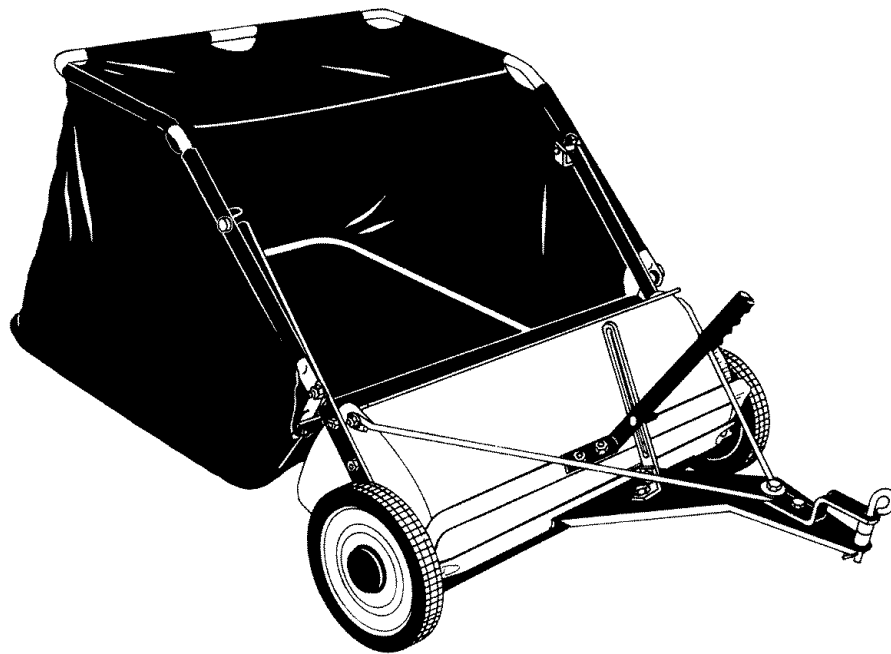


Owner's Manual

CRAFTSMAN®

32" LAWSWEEPER

Model No. 486.241322



CAUTION:

Before using this product, read this manual and follow all Safety Rules and Operating Instructions.

IMPORTANT - READ THIS FIRST!!!

For Missing Parts or Assembly Questions
Please Call 217-728-8388
Mon.-Fri. 7 am - 5 pm CST.
FAX 217-728-2032 or e-mail info@agri-fab.com
Missing parts will be sent UPS in 24 hours directly to your home.

- Safety
- Assembly
- Operation
- Maintenance
- Parts

Sears, Roebuck and Co., Hoffman Estates, IL 60179 U.S.A.
www.sears.com/craftsman

PRINTED IN U.S.A.

FORM NO. 48441 (REV. 5/02)

TABLE OF CONTENTS

SAFETY RULES	2	SERVICE AND ADJUSTMENTS	13
FULL SIZE HARDWARE CHART	3	STORAGE	13
CARTON CONTENTS	4	TROUBLESHOOTING	13
ASSEMBLY	4	REPAIR PARTS ILLUSTRATION	14
OPERATION	11	REPAIR PARTS LIST	15
MAINTENANCE	12	PARTS ORDERING/SERVICE	Back Page

WARRANTY

LIMITED ONE YEAR WARRANTY ON CRAFTSMAN LAWSWEEPER

For one year from the date of purchase, when this Lawnsweeper is maintained and lubricated according to the operating and maintenance instructions in the owner's manual, Sears will repair any defect in material or workmanship free of charge. If this Lawnsweeper is used for commercial or rental purposes, this warranty applies for only 90 days from the date of purchase.

This warranty does not cover repairs necessary because of operator negligence or abuse, including the failure to maintain the equipment according to instructions contained in the owner's manual.

WARRANTY SERVICE IS AVAILABLE BY CONTACTING THE NEAREST SEARS SERVICE CENTER/DEPARTMENT IN THE UNITED STATES.

This warranty applies only while this product is in the United States.

This warranty gives you specific legal rights, and you may also have other rights which vary from state to state. Sears, Roebuck and Co. D/817 WA. Hoffman Estates, Chicago, IL 60179



SAFETY



Any power equipment can cause injury if operated improperly or if the user does not understand how to operate the equipment. Exercise caution at all times, when using power equipment.

- Read the vehicle and sweeper owners manuals and know how to operate your vehicle and sweeper before using this sweeper attachment. Always instruct other users before they operate the sweeper.
- Do not permit children to operate sweeper.
- Do not permit anyone to ride on sweeper.
- Never attach the hopper rope to any part of your body or clothing! Never hold onto the rope while towing the sweeper! Attach the rope to the towing vehicle to keep it away from wheels and rotating parts.
- Operate the sweeper at reduced speed on rough terrain, near ditches and on hillsides to prevent loss of control.
- Vehicle braking and stability may be affected with the attachment of this sweeper. Do not fill sweeper to maximum capacity without checking the capability of the towing vehicle to safely pull and stop with the sweeper attached. **Stay off of steep slopes.**
- Stop and inspect vehicle and sweeper for damage after striking an object. Repair any damage before continuing operation.
- Keep sweeper away from fire. Excessive heat can damage the brushes and hopper bag and could cause the bag and its contents to burn.
- Before storing the sweeper, always empty the hopper bag to avoid spontaneous combustion.
- Follow maintenance and lubrication instructions as outlined in the maintenance section of this manual.



Look for this symbol to point out important safety precautions. It mean--**Attention!! Become alert!! Your safety is involved.**

The model number and serial numbers will be found on a decal attached to the sweeper housing.

You should record both the serial number and the date of purchase and keep in a safe place for future reference.

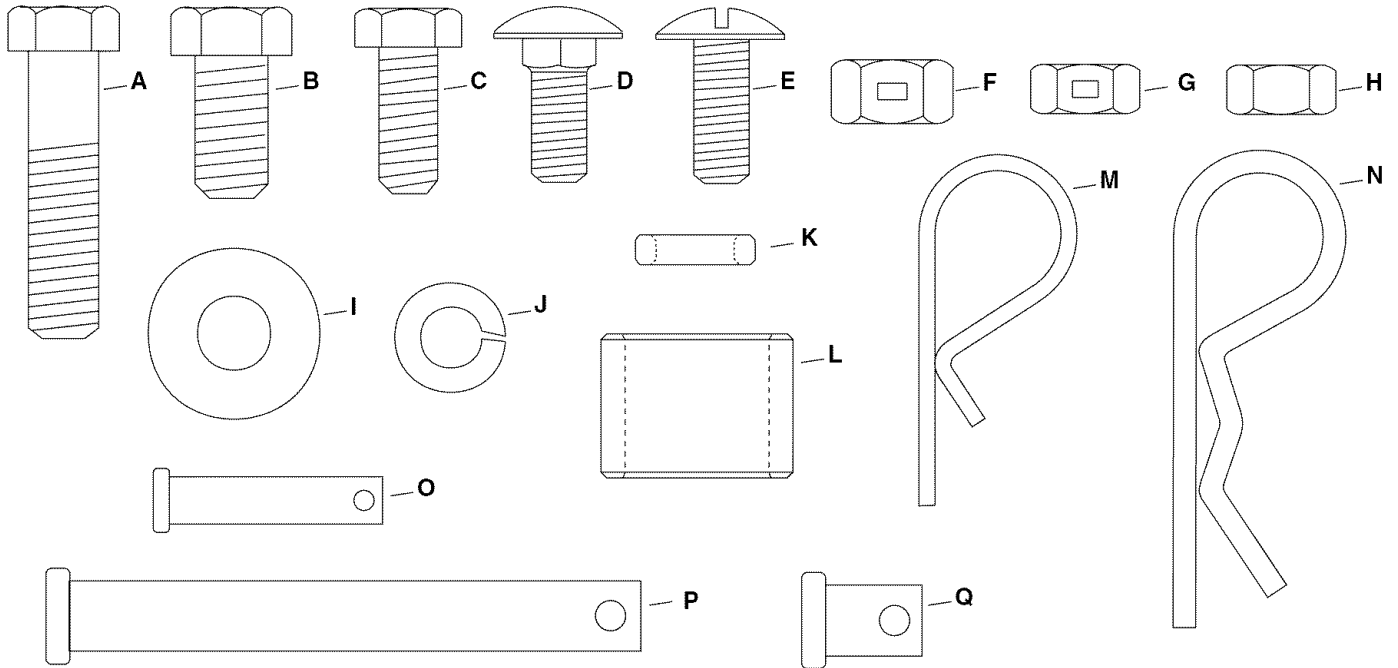
MODEL NUMBER: 486.241322

SERIAL NUMBER: _____

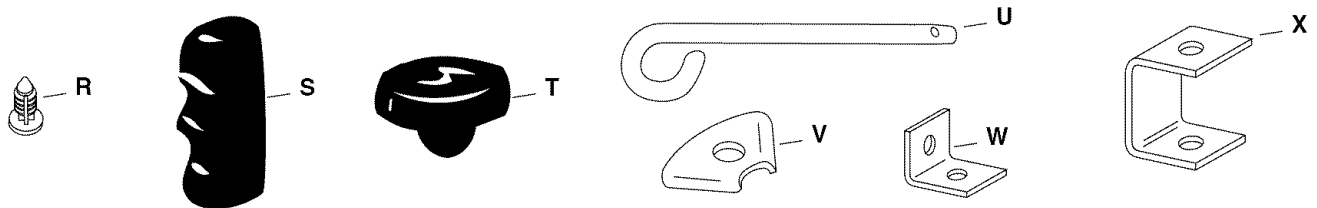
DATE OF PURCHASE: _____

HARDWARE PACKAGE CONTENTS

SHOWN FULL SIZE



NOT SHOWN FULL SIZE

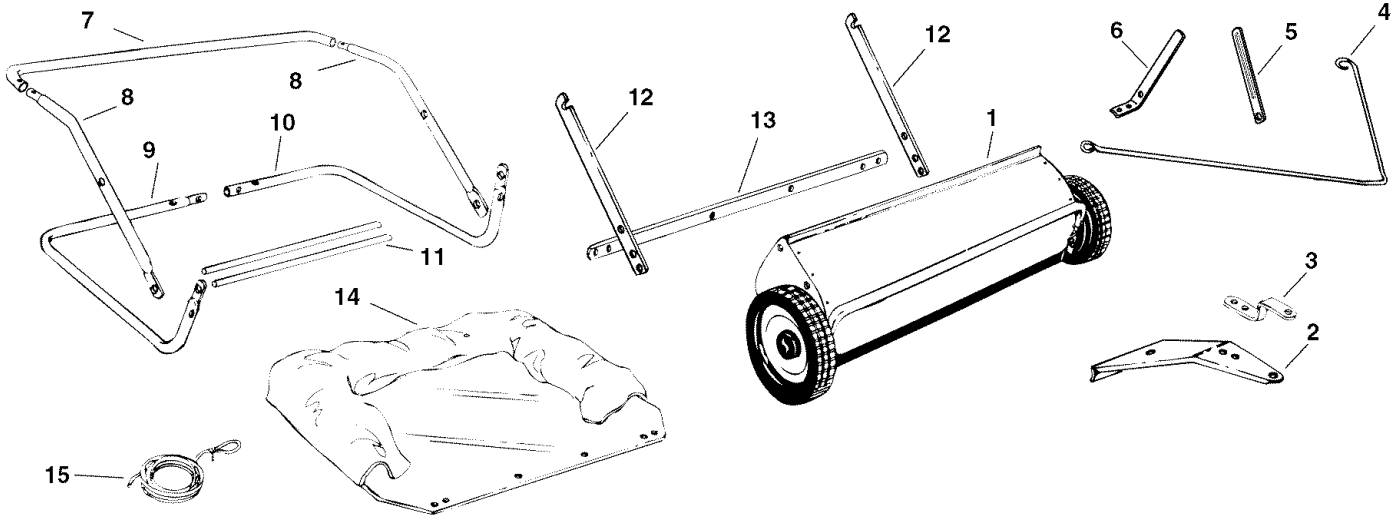


REF.	QTY.	DESCRIPTION	REF.	QTY.	DESCRIPTION
A	1	Hex Bolt, 3/8" x 1-1/2"	M	6	Hair Cotter Pin, 3/32"
B	5	Hex Bolt, 3/8" x 3/4"	N	1	Hair Cotter Pin, 1/8"
C	1	Hex Bolt, 5/16" x 3/4"	O	2	Clevis Pin, 1/4" x 1-1/8"
D	3	Carriage Bolt, 5/16" x 3/4"	P	2	Clevis Pin, 3/8" x 3"
E	1	Truss Head Bolt, 5/16" x 3/4"	Q	2	Clevis Pin, 3/8" x 1/2"
F	6	Hex Lock Nut, 3/8"	R	3	Plastic Plug, 1/4"
G	3	Hex Lock Nut, 5/16"	S	1	Grip
H	1	Hex Nut, 5/16"	T	1	Knob, Plastic
I	3	Washer, 5/16"	U	1	Hitch Pin
J	1	Lock Washer, 5/16"	V	1	Brace Rod Clip
K	1	Pivot Bushing	W	1	Angle Bracket
L	2	Hitch Spacer	X	2	Bag Retainer

ASSEMBLY

CARTON CONTENTS

1. Sweeper Housing Assembly
2. Hitch Tongue
3. Hitch Bracket
4. Brace Rod
5. Height Adjustment Strap
6. Height Adjustment Handle
7. Upper Hopper Tube (Rear)
8. Side Hopper Tubes (2)
9. Lower Hopper Tube, Right Hand
10. Lower Hopper Tube, Left Hand
11. Bag Support Rods (2)
12. Hopper Mount Arms (2)
13. Bag Frame Strap
14. Hopper Bag
15. Rope



TOOLS REQUIRED FOR ASSEMBLY

- (1) Screwdriver
- (2) 9/16" Open End or Box End Wrench
- (2) 1/2" Open End or Box End Wrench

REMOVAL OF PARTS FROM CARTON

- Remove the sweeper, the loose parts and the hardware package from the carton. Lay out the parts and hardware as shown on pages 3 and 4.

Note: Right hand (R.H.) and left hand (L.H.) are determined from the operators position while seated on the tractor.

ASSEMBLY OF SWEEPER

- Remove the 5/16" hex nut, 5/16" lock washers and 5/16" flat washer from the two 5/16" x 1-3/4" carriage bolts as shown in figure 1. Assemble the hitch tongue to the sweeper, reusing the same two carriage bolts, flat washers, lock washers and hex nuts. **Do not tighten at this time.**

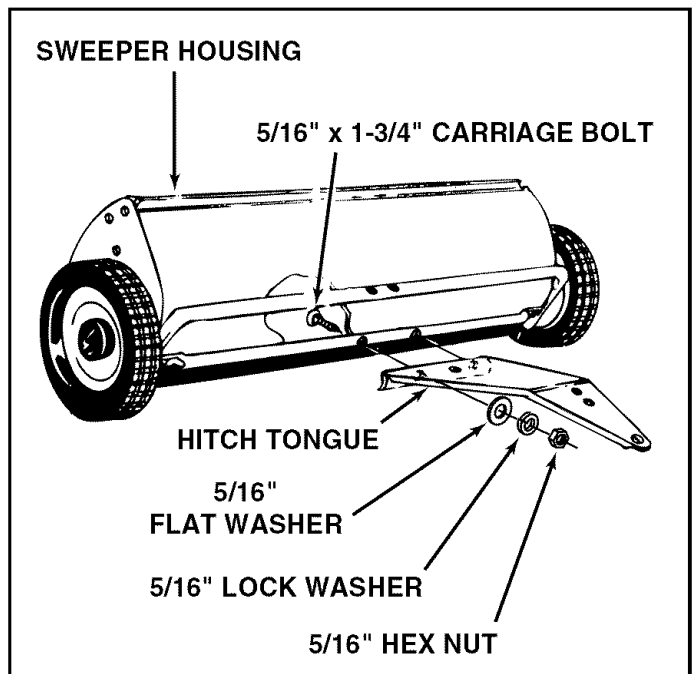


FIGURE 1

- Attach the brace rod to the square hole in the sweeper housing using two 5/16" x 3/4" carriage bolts, 5/16" flat washers and 5/16" hex lock nuts. Place bolts heads on inside of sweeper housing. **Do not tighten at this time.** See figures 2 and 3.

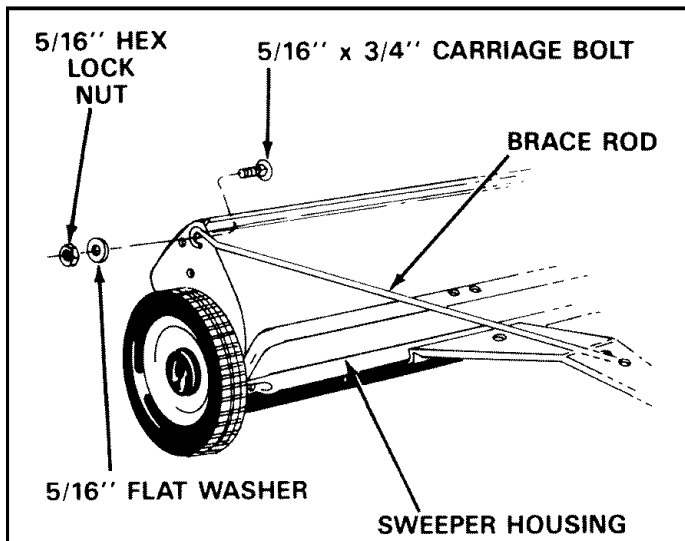


FIGURE 2

NOTE: Before assembling the hitch bracket to the hitch tongue, refer to figure 3 below and to page 10 to determine which hitch position is required for your towing vehicle.

- Align the **front holes** in the hitch bracket and the hitch tongue. Loosely assemble a 3/8" x 3/4" hex bolt and a 3/8" hex lock nut as shown in figure 3. Next, fasten the brace rod to the **back hole** in the hitch bracket using the brace rod clip, a 3/8" x 1-1/2" hex bolt and a 3/8" hex lock nut. **Do not tighten at this time.** See figure 3.

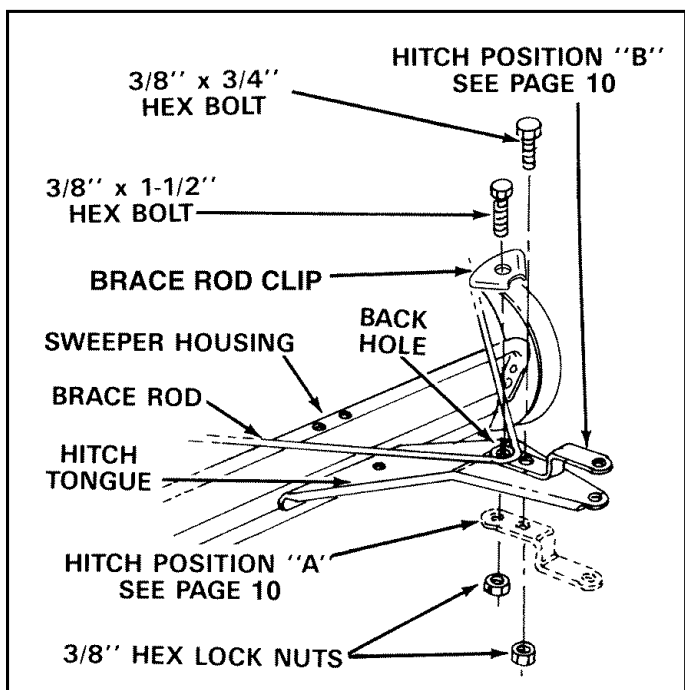


FIGURE 3

- **Tighten** (do not overtighten) the two hex nuts used to secure the hitch tongue in figure 1, making sure the brace rod is under the brace rod clip and pulled back tight against the bolt. See figure 1,2 and 3. Now **tighten** all other bolts assembled so far.

- Remove the two 5/16" hex nuts, 5/16" lock washers and 5/16" curved washers from the height adjustment tube. Assemble the height adjustment handle to the two curved head bolts in the height adjustment tube. Slide the handle as far as possible in the direction of the arrows in figure 4. Reassemble the two 5/16" lock washers, 5/16" curved washers and 5/16" hex nuts and **tighten**. See figure 4.

- Assemble the grip onto the height adjustment handle. See figure 4.

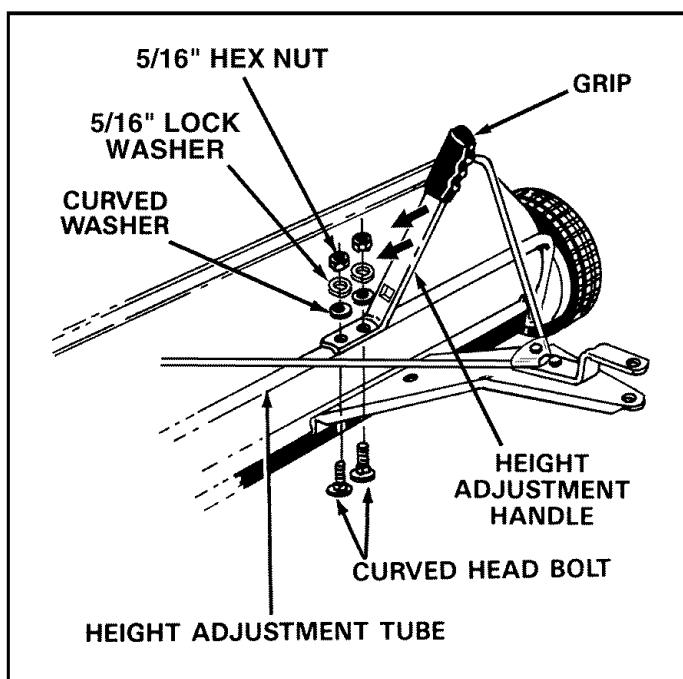


FIGURE 4

- Assemble the short end of the angle bracket to the hitch tongue using a 5/16" x 3/4" hex bolt and 5/16" hex lock nut. See figure 5.
- Place the pivot bushing into the hole in the height adjustment strap. Attach the strap and spacer to the angle bracket using the 5/16" x 3/4" truss head bolt, a 5/16" lock washer and a 5/16" hex nut. See figure 5.
- Attach the slotted end of the height adjustment strap to the height adjustment handle by inserting a 5/16" x 3/4" carriage bolt through the handle and then the strap. Assemble a 5/16" washer and the plastic hand knob onto the bolt. See figure 5.

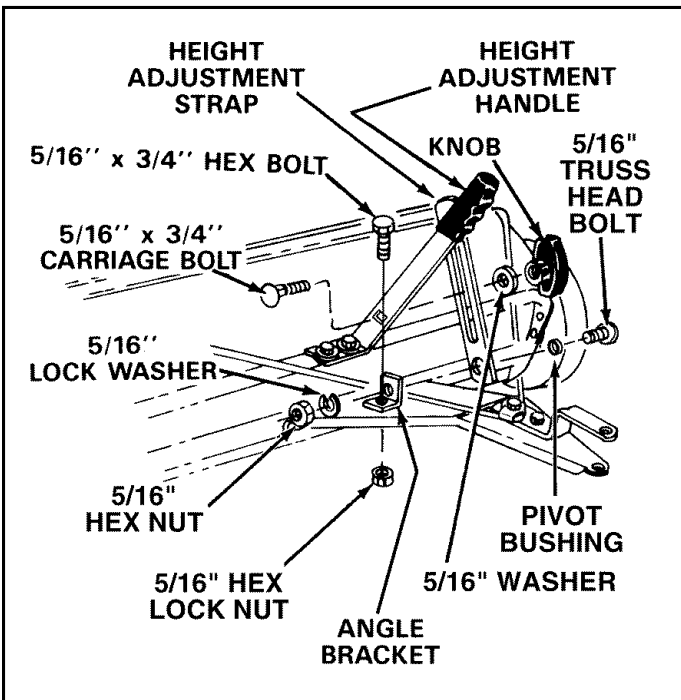


FIGURE 5

- Assemble the two bag mount arms to the **outside** of the sweeper housing using four 3/8" x 3/4" hex bolts and 3/8" hex lock nuts. Use rear hole of dual position holes in sweeper housing to install bag mount arm. The notched side of the bag mount arms **faces upward**. See figure 6.

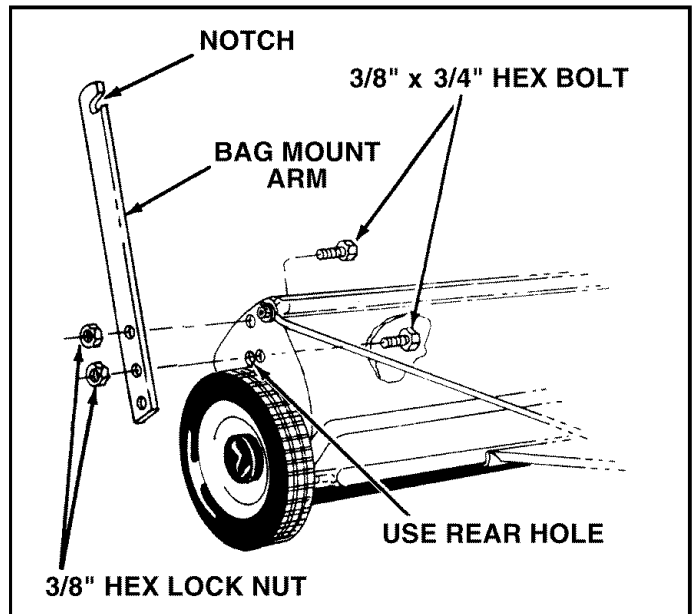


FIGURE 6

- Assemble the hitch pin, the two hitch spacers and the 1/8" hair cotter pin to the hitch bracket and hitch tongue as shown in figure 7.

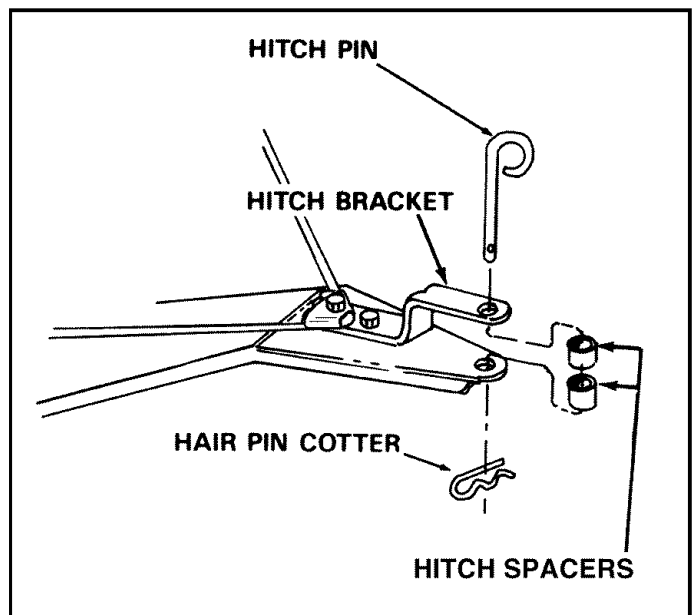


FIGURE 7

ASSEMBLY OF HOPPER BAG

- Turn the upper hopper tube so that the middle brace holes face down as shown in figure 8.

IMPORTANT: The two holes in the middle of the upper hopper tube must face down to allow assembly of the support rods.

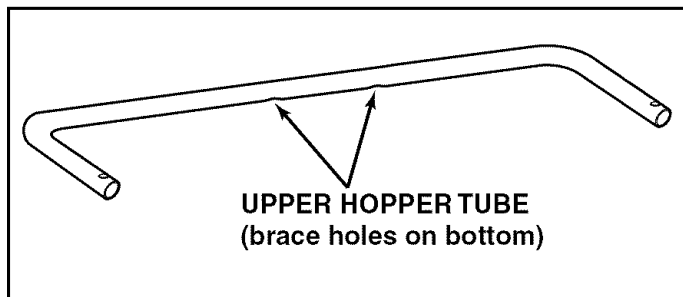


FIGURE 8

- Insert the two side hopper tubes through the stitched flaps on each side of the hopper bag. See figure 9.
- Assemble the ends of the upper hopper tube onto the ends of the side hopper tubes. Fasten together using plastic plugs. See figure 9.

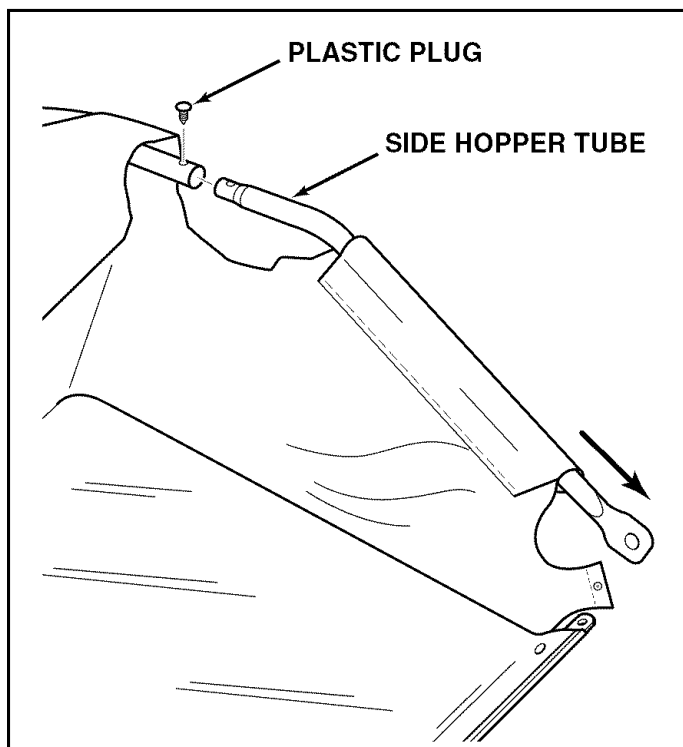


FIGURE 9

- Fit the ends of the (RH) and (LH) lower hopper tubes together. Align the holes in the tubes and insert a plastic plug. See figure 10.

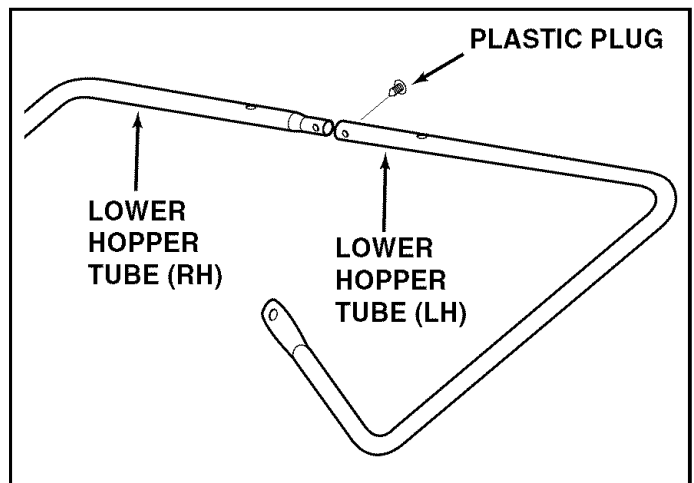


FIGURE 10

- Place the assembled lower hopper tubes into the bottom of the hopper bag as. See figure 11.
- Attach the ends of the lower hopper tubes to the **inside** of the side hopper tubes using two 3/8" x 1/2" clevis pins inserted from the inside, and two 3/32" hair cotter pins. See figure 11.

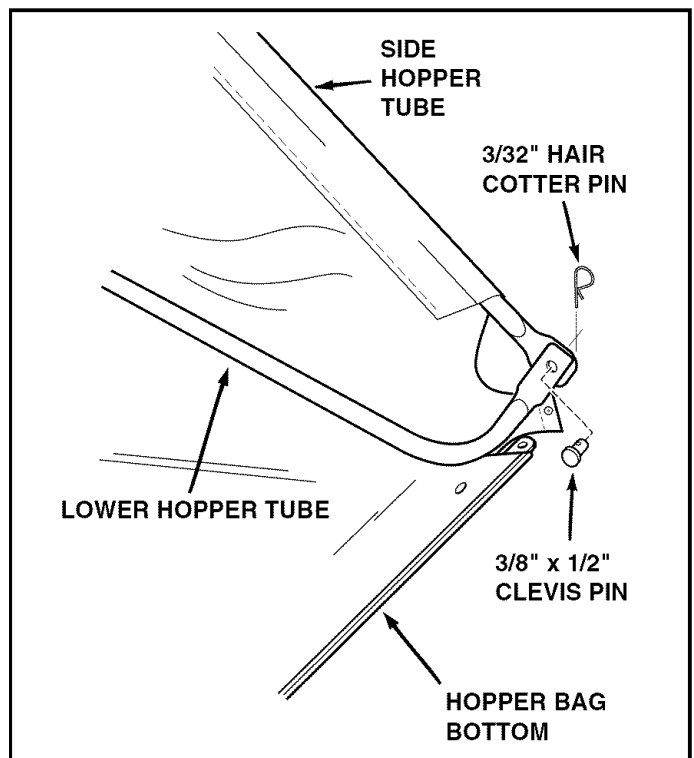


FIGURE 11

- Insert the bag frame strap into the stitched sleeve along the front edge of the bag bottom. See figure 12.
- Assemble the bag frame strap to the holes in the lower hopper tubes using two 1/4" x 1-1/8" clevis pins and 3/32" hair cotter pins. See figure 12.

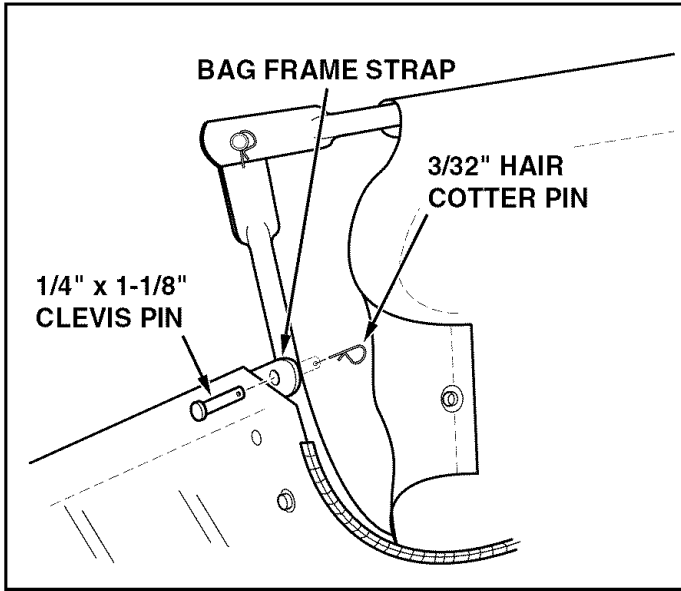


FIGURE 12

- Secure the bag corners around the lower hopper tubes by snapping the bag flaps to the bag bottom on both sides. See figure 13.

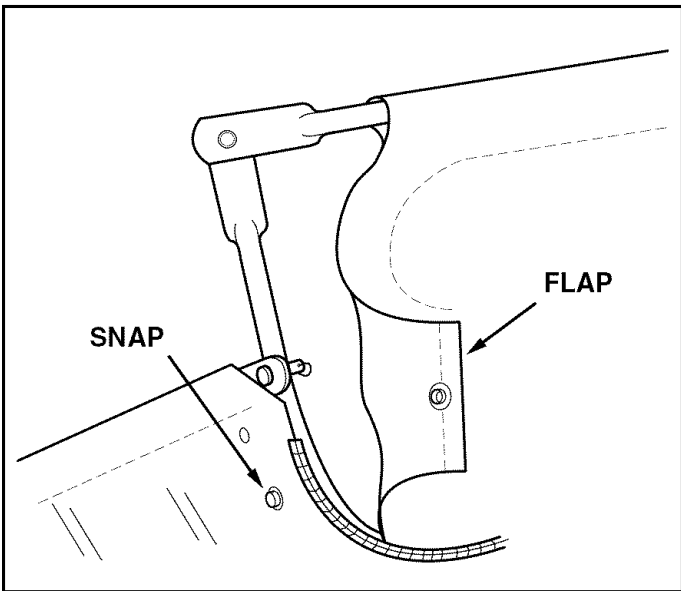


FIGURE 13

IMPORTANT: Do not over bend the support rods during the following step. Over bending will cause the spring steel rods to loose supporting tension.

- Assemble the two hopper support rods as shown in figure 14. Place the ends of the rod into the upper and lower hopper tubes, bending the rod just enough to fit into the holes in tubes.

HINT: Tip the hopper onto its back if you have trouble reaching in to install the support rods.

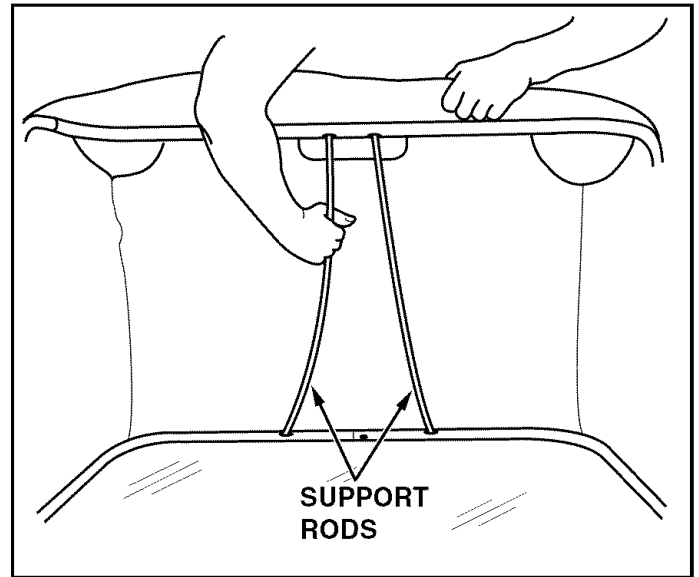


FIGURE 14

- Locate the hole in each side hopper tube and pierce a hole through the hopper bag aligned with the hole in each side tube. See figure 15.

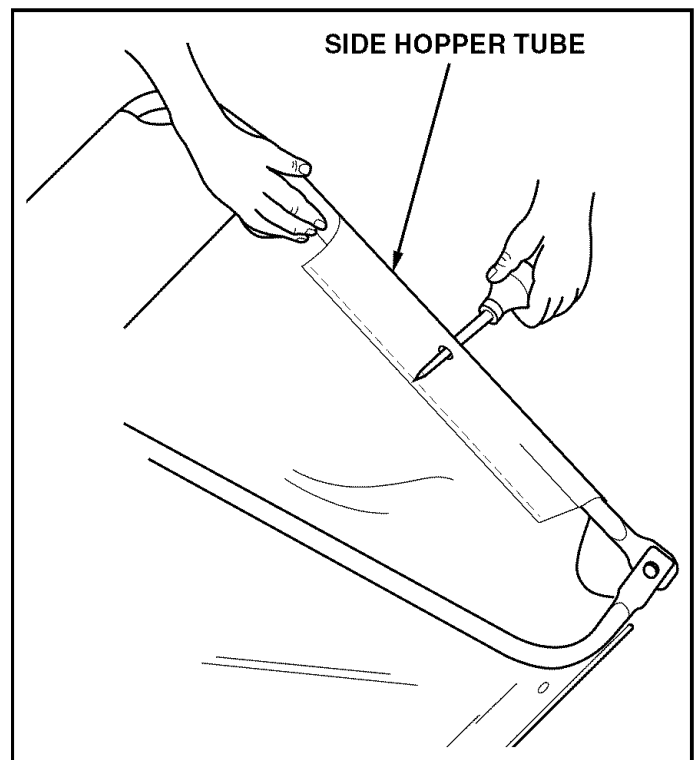


FIGURE 15

- Insert the 3/8" x 3" clevis pins from the outside through the side tubes where the holes were pierced. Assemble the bag retainers onto the clevis pins and secure with 3/32" hair cotter pins. See figure 16.

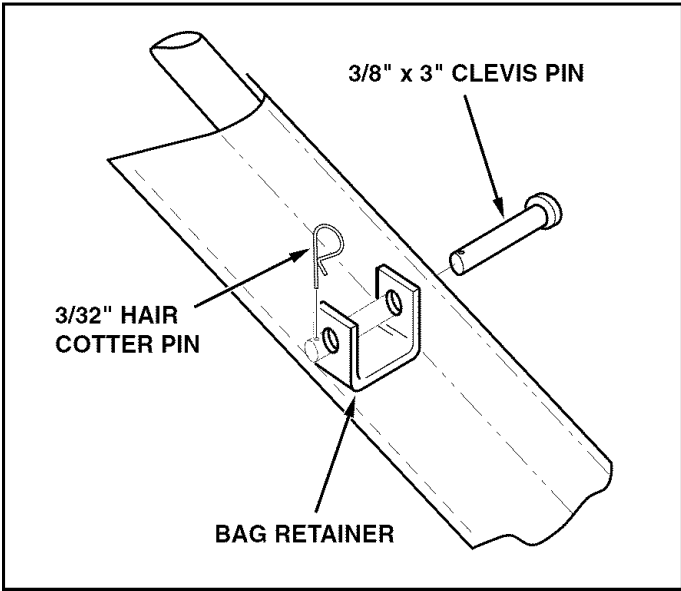


FIGURE 16

- Secure the rope to the top center of the hopper bag frame as shown in figure 17.

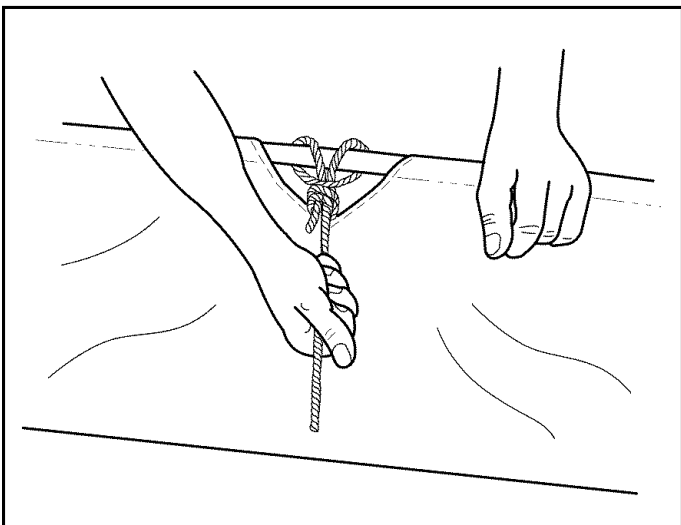


FIGURE 17

- To assemble the hopper bag to the sweeper, pivot the bag retainers up and hook the clevis pins into the notches in the mount arms. Pivot the bag retainers down to lock the hopper bag onto the mount arms. See figure 18.

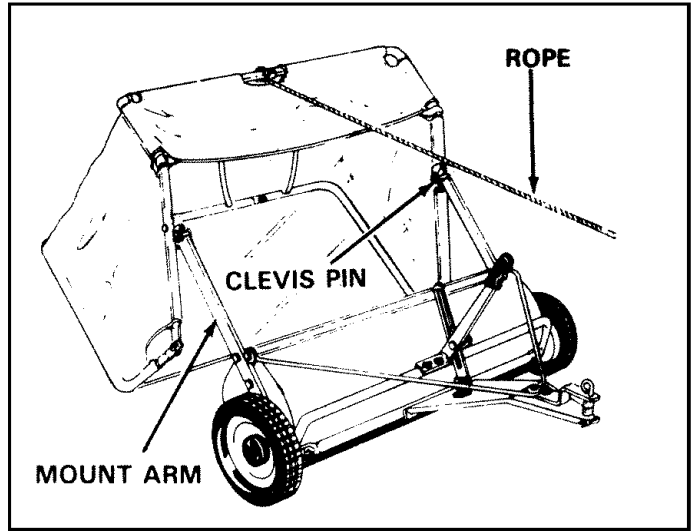


FIGURE 18

- To remove the hopper bag from the sweeper, simply pivot the bag retainers upward and remove the bag. See figure 19.

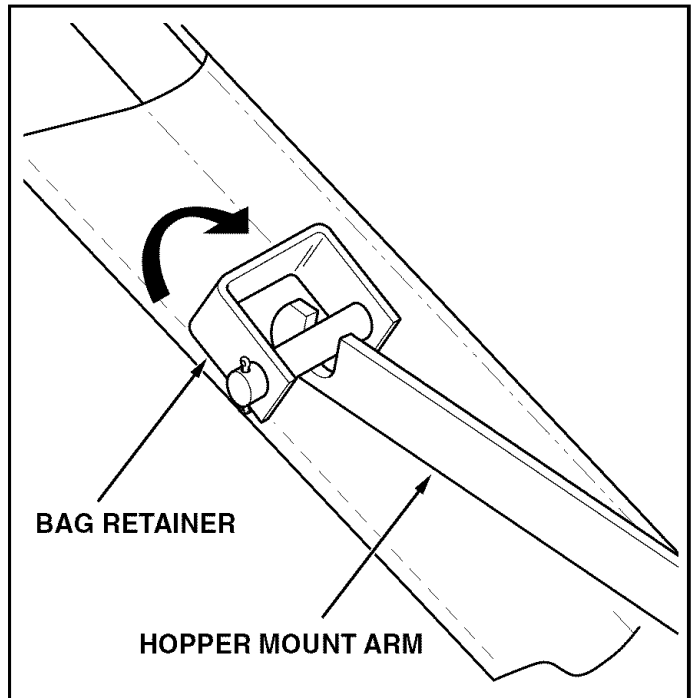


FIGURE 19

ATTACHING SWEEPER HITCH TO TRACTOR

- Place the tractor and sweeper on a flat level surface.
- Set the sweeper height adjustment handle to about the middle of its adjustment range.
- Attach the sweeper hitch to the tractor hitch, arranging the hitch spacers into one of the eight possible combinations shown in GROUP A and GROUP B diagrams below.

IMPORTANT: To obtain the best performance from your sweeper, arrange the hitch spacers so that the sweeper bag is approximately level with the ground and approximately 3" to 4" off the ground as shown in figure 20.

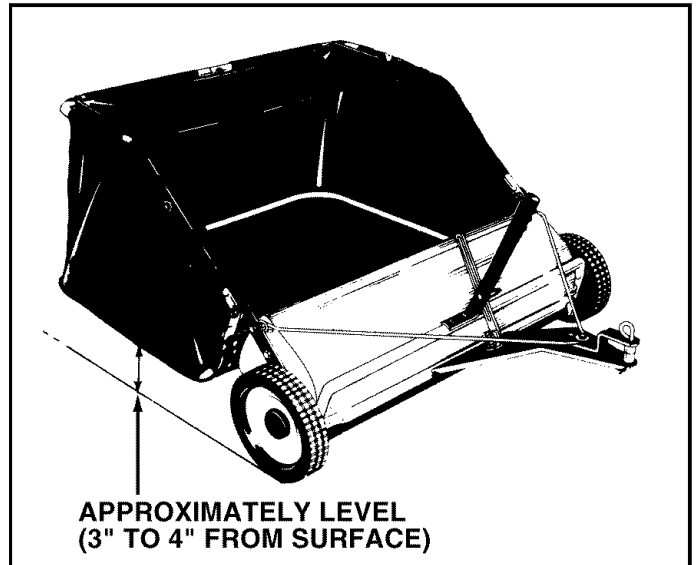
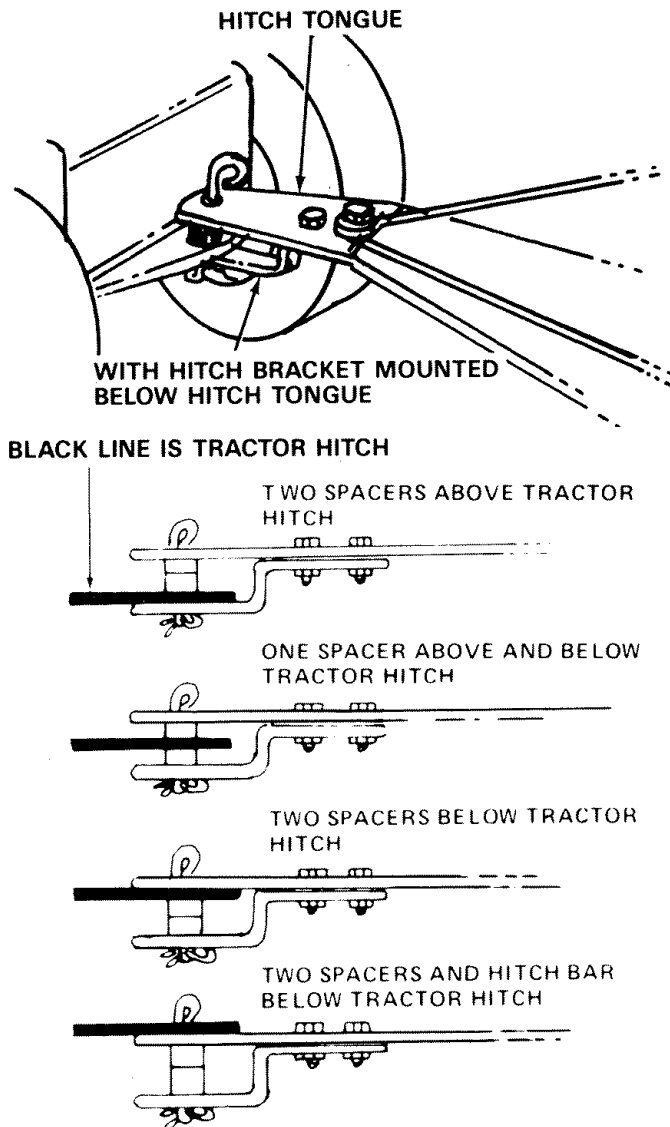
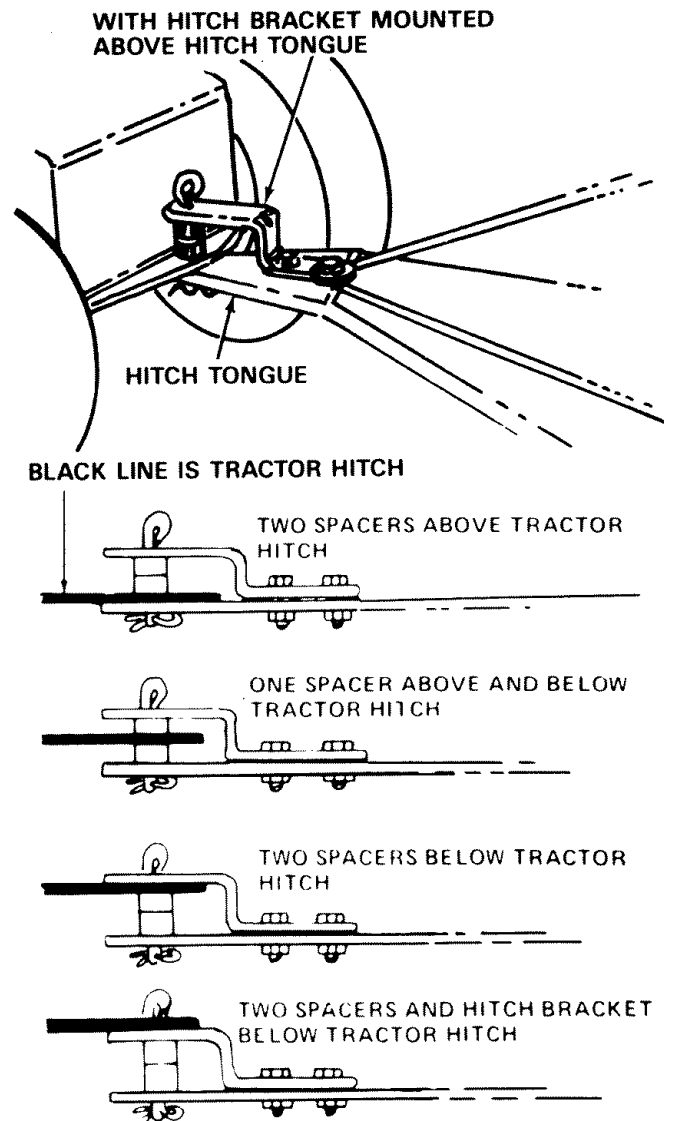


FIGURE 20

GROUP "A" - For riding mowers with 8" to 10-1/2" ground clearance to hitch.



GROUP "B" - For tractors with 10-1/2" to 13" ground clearance to hitch.

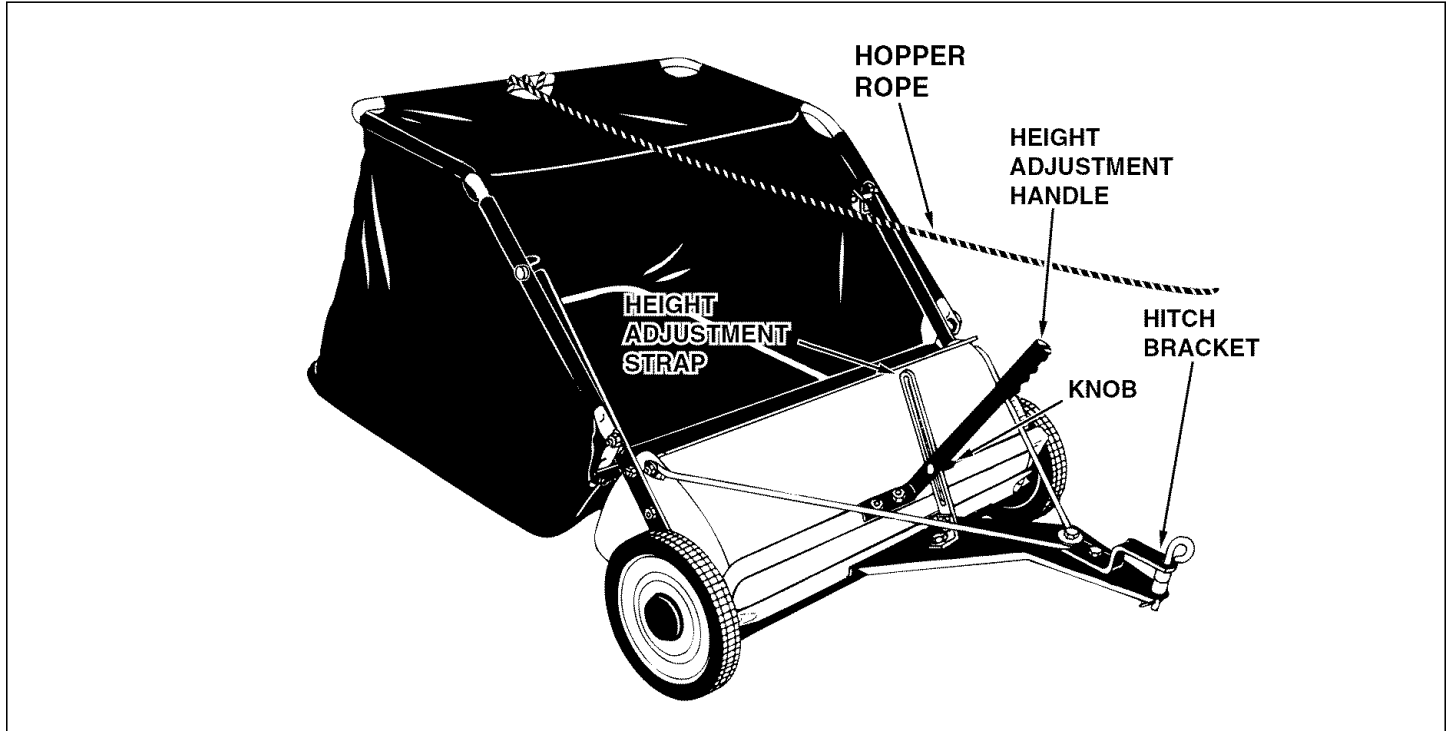


OPERATION

KNOW YOUR LAWSWEEPER

Read this owner's manual and safety rules before operating your Lawnsweeper.

Compare the illustration below with your Lawnsweeper to familiarize yourself with the various controls and their locations.



Hopper Rope

Permits dumping of hopper bag from the drivers seat.

Height Adjustment Handle

Adjusts the operating height of the sweeper.

Height Adjustment Strap

Holds the height adjustment handle in position when locked.

Knob

Locks the height adjustment handle to the height adjustment strap.

Hitch Bracket

Connects sweeper to towing vehicle. Adjusts for various height tractor hitches.

HOW TO USE YOUR SWEEPER

BRUSH HEIGHT ADJUSTMENT

To adjust your sweeper brushes to the best operating height, loosen the adjustment knob and push down on the height adjustment lever to raise the brush. Best adjustment is when the brush setting is 1/2" down into the grass. Always mow the grass to an even height before sweeping.

SWEEPING SPEED

Try a starting speed of approximately 3 m.p.h. (third gear on most tractors). Depending on the conditions, it may be necessary to adjust the sweeping speed in order to achieve best results.

DUMPING OF SWEEPER

Your sweeper can be dumped easily without getting off of the rider or tractor. Simply pull the rope forward to dump the hopper. Always empty hopper after each use.



CAUTION: Never attach the hopper rope to any part of your body or clothing! Never hold onto the rope while towing the sweeper! Attach the rope to the towing vehicle to keep it away from wheels and rotating parts.



CAUTION: Keep sweeper away from fire. Excessive heat can damage the brushes and hopper bag and could cause the bag and its contents to burn.

MAINTENANCE

CUSTOMER RESPONSIBILITIES

- Read and follow the maintenance schedule and the maintenance procedures listed in this section.

MAINTENANCE SCHEDULE Fill in dates as you complete regular service.	Service Dates																							
	Before each use	After each use	Twice a year	Every season	Before storage	Every two years																		
Check for loose fasteners	X																							
Check for worn or damaged parts	X			X																				
Lubricate brush shaft bearings			X																					
Lubricate wheel bearings				X																				
Clean Sweeper		X			X																			
Clean/Lubricate gears						X																		

CHECK FOR LOOSE FASTENERS

- Before each use make a thorough visual check of the snow thrower for any bolts and nuts which may have loosened. Retighten any loose bolts and nuts.

CHECK FOR WORN OR DAMAGED PARTS

- Repair or replace any worn or damaged parts.

LUBRICATE BRUSH SHAFT BEARINGS

- Lubricate the brush shaft bearings twice a year with a few drops of light weight oil. See figure 21.

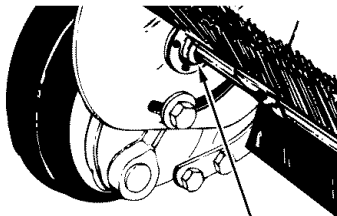


FIGURE 21

OIL HERE

LUBRICATE WHEEL BEARINGS

- Lubricate the wheel bearings once every season with a few drops of light weight oil. See figure 22.

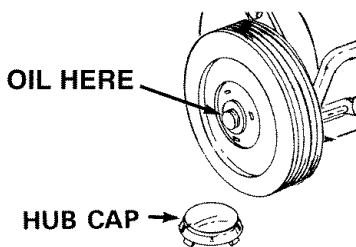


FIGURE 22

CLEAN SWEEPER

- Clean sweeper housing with a soft brush or cloth.
- Clean debris from hopper bag with a brush or broom.
- Remove any material which has wrapped around brushes or ends of brush shaft.

CLEAN/LUBRICATE WHEEL GEARS

- Every two years remove the wheels and clean the gears found inside the wheel housing. After cleaning, lubricate with an even coat of light grease. To remove the wheel, pop off the hub cap using a screwdriver. Remove the retaining "E" ring and flat washer and then the wheel. See figure 23.

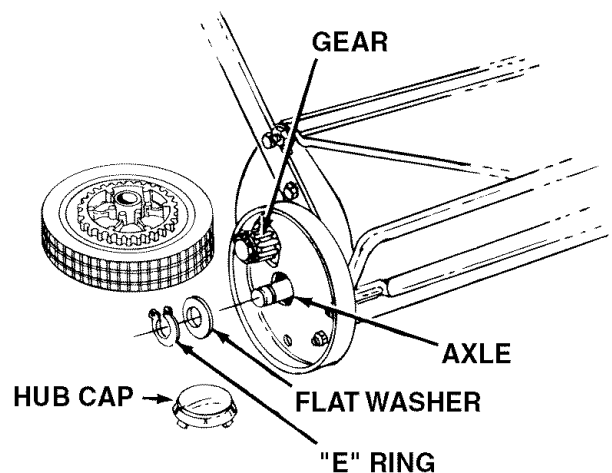


FIGURE 23

STORAGE



CAUTION: Before storing the sweeper, always empty the hopper bag to avoid spontaneous combustion.

- Clean the sweeper and hopper bag thoroughly to help prevent rust and mildew.
- To collapse the hopper bag for storage, remove the two hopper support rods from the rear of the hopper.
- Store in a dry area.

SERVICE AND ADJUSTMENTS

RATCHET GEAR/DRIVE PIN REPLACEMENT

IMPORTANT: Do not remove both wheels at the same time to avoid mixing of parts. (The R.H. and L.H. ratchet gears are not interchangeable.) **Make notes** on the position of washers and snap rings during disassembly.

- Remove one wheel from the sweeper.
- Remove the retaining rings and washers which hold the ratchet gear onto the brush shaft.
- Remove the gear by sliding it off the brush shaft. (Look for the drive pin, which may fall out of the brush shaft when the ratchet gear is removed.) See figure 24.
- To reassemble, insert the drive pin through the hole near the end of the brush shaft. Make sure the pin slides back and forth easily in the shaft.
- Lightly grease the shaft and fill the ratchet gear with grease. Assemble the gear back onto the shaft.
- Lightly grease the axle and the wheel's gear teeth and then reassemble the wheel. The brushes should rotate **only** during forward rotation of the wheel. If the brushes are driven (rotated) by reverse rotation of the wheel, either the RH and LH ratchet gears have been switched or the drive pin is jamming in the ratchet gear. Clean and lubricate the drive pin and the ratchet gear to prevent jamming.

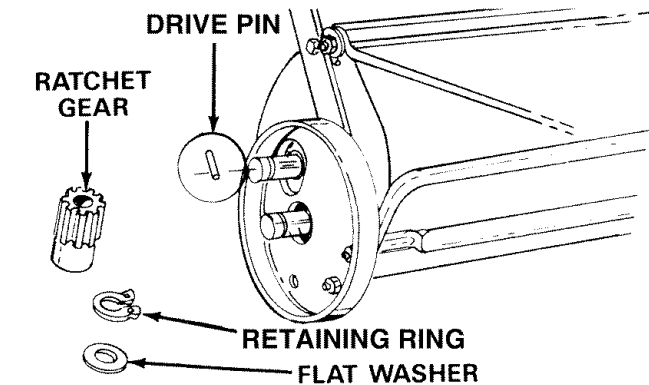


FIGURE 24

BRUSH REPLACEMENT

NOTE: Brush replacement should be done one brush at a time.

- Remove the hopper bag from the sweeper.
- Loosen the hex bolts and lock nuts on two single brush retainers which clamp one brush to the double brush retainers. **Do Not loosen** or remove the bolts which fasten the double brush retainers to the brush shaft. See figure 25.
- Slide the brush out of the retainers, noting on which side of the brush the bristles overlap. See figure 25.
- Install new brush, making sure the bristles overlap on the same side of the brush as before. See figure 25.

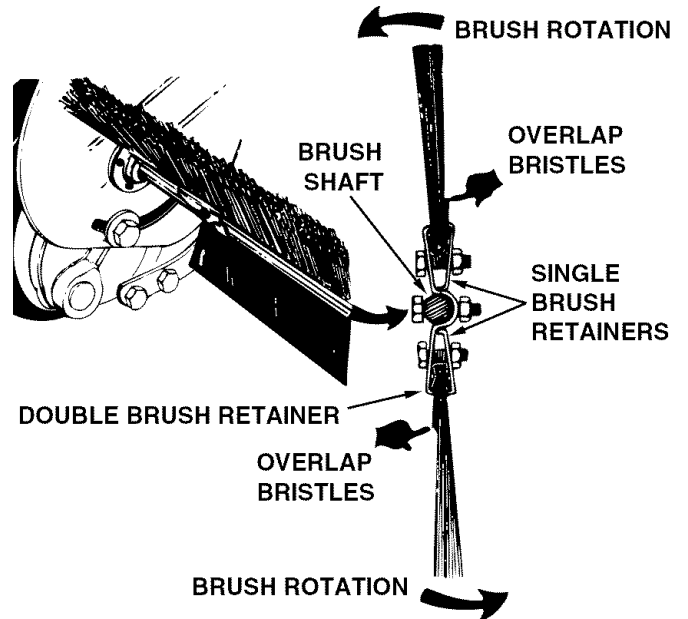


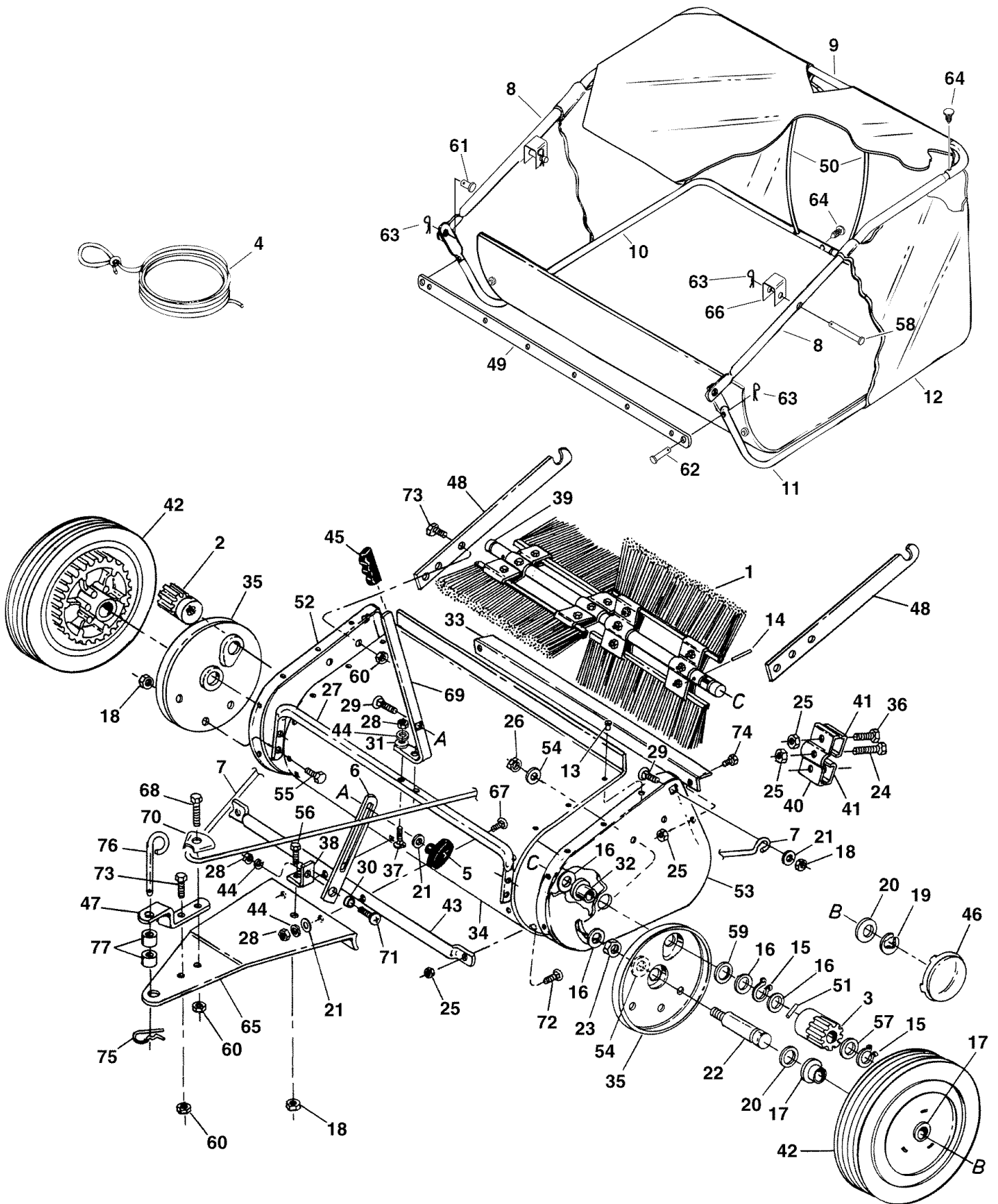
FIGURE 25

TROUBLESHOOTING

<p>Wheels skid when sweeping.</p>	<ol style="list-style-type: none"> 1. Brushes set too low. 2. Brushes are jammed 3. Wheels are jammed. 	<ol style="list-style-type: none"> 1. Adjust height till brushes are 1/2" down into grass. 2. Stop sweeper. Remove obstruction. 3. Remove one wheel at a time to check for obstruction or damage. Refer to Service and Adjustments section.
-----------------------------------	---	--

PARTS

REPAIR PARTS FOR MODEL 486.241322



REPAIR PARTS FOR MODEL 486.241322

REF	PART NO.	QTY	DESCRIPTION	REF	PART NO.	QTY	DESCRIPTION
1	43903	4	Brush	40	23580	4	Brush Retainer (Double)
2	43886	1	Pinion Gear - R.H.	41	23581	8	Brush Retainer (Single)
3	43885	1	Pinion Gear - L.H.	42	44931	2	Wheel Ass'y.
4	43737	1	Hopper Rope	43	44903	1	Hitch Tube
5	43720	1	Height Adjustment Knob	44	43086	5	Lock Washer 5/16" I.D.
6	23851	1	Height Adjustment Strap	45	43943	1	Grip
7	44964	1	Brace Rod	46	2674-32	2	Hub Cap
8	48466	2	Upper Hopper Tube - Front	47	23014	1	Hitch Bracket
9	48470	1	Upper Hopper Tube - Rear	48	23812	2	Bar Mount Arm
10	43930	1	Lower Hopper Tube - R.H.	49	23351	1	Bag Frame Strap
11	43929	1	Lower Hopper Tube - L.H.	50	43926	2	Hopper Support Rod
12	48399	1	Hopper Bag	51	47046	2	Pin, Dowel
13	C-9M5732	8	Pop Rivet	52	23846	1	End Plate, R.H.
14	43851	2	Roll Pin, 3/16" x 1-1/4"	53	23845	1	End Plate, L.H.
15	1650-21	4	Retaining ring .594 I.D.	54	R19131316	6	Flat Washer 3/8" Std.*
16	44007	6	Flat Washer (Shim)	55	44692	4	Hex Bolt, 5/16-18 x 1/2"*
17	741-0249	4	Flange Bearing	56	43182	1	Hex Bolt 5/16-18 x 3/4" Lg.*
18	43064	7	Hex Lock Nut 5/16-18 Thd.	57	44006	2	Flat Washer, .596 x .859 x .025
19	716-0106	2	"E" Ring, 5/8"	58	43513	2	Clevis Pin 3/8" Dia. x 3" Lg.
20	44125	4	Flat Washer .62" x 1.00" OD	59	1540-31	2	Flat Washer, .78" I.D.
21	43081	5	Washer 5/16" Std.*	60	43082	6	Hex Lock Nut 3/8-16 Thd.
22	44598	2	Axle	61	48366	2	Clevis Pin, 3/8" (Special)
23	44684	2	Jam Nut 3/8-24 Thd.	62	48365	2	Clevis Pin, 1/4" (Special)
24	43661	4	Hex Bolt 1/4-20 x 1" Lg.*	63	43055	6	Hair Cotter Pin, 3/32" #3
25	43013	16	Hex Lock Nut 1/4-20 Thd.	64	48402	3	Plastic Plug, 1/4"
26	1038	2	Jam Nut 3/8-24 Thd. Nylock	65	23868	1	Tongue, Hitch
27	44906	1	Height Adj. Tube	66	23354	2	Bag Retainer Clevis
28	43083	5	Hex Nut 5/16-18 Thd.*	67	44215	2	Carriage Bolt 5/16-18 x 1-3/4"
29	43080	3	Carriage Bolt 5/16-18 x 3/4" Lg.*	68	43062	1	Hex Bolt 3/8-16 x 1-1/2" Lg.*
30	23400	1	Pivot Bushing	69	23850	1	Height Adj. Handle
31	44695	2	Bowed Washer	70	24161	1	Clip, Brace Rod
32	44909	2	Brush Shaft Bushing	71	43814	1	Sl. Truss Hd. Bolt 5/16-18 x 3/4"
33	23853	1	Rear Support Brace	72	44950	2	Carriage Bolt 1/4-20 x 3/4" Lg.
34	23848	1	Wrapper	73	43407	5	Hex Bolt 3/8-16 x 3/4" Lg.*
35	23867	2	Dust Cover	74	43175	2	Hex Bolt 1/4-20 x 1/2" Lg.*
36	43012	8	Hex Bolt 1/4-20 x 3/4" Lg.*	75	43343	1	Hairpin Cotter 5/32"
37	44947	2	Curved Hd. Bolt 5/16-18 x 1-5/8	76	23353	1	Hitch Pin
38	23869	1	Angle Bracket	77	23368	2	Hitch Spacer, 3/4" Long
39	23871	1	Brush Shaft		48441	1	Owners Manual

* Common hardware may be purchased locally.

Get it fixed, at your home or ours!

For repair of major brand appliances **in your own home...**
no matter who made it, no matter who sold it!

1-800-4-MY-HOMESM Anytime, day or night
(1-800-469-4663)

www.sears.com

To bring in products such as vacuums, lawn equipment and electronics
for repair, call for the location of your nearest **Sears Parts & Repair Center.**

1-800-488-1222 Anytime, day or night

www.sears.com

For the replacement parts, accessories and owner's manuals
that you need to do-it-yourself, call **Sears PartsDirectSM!**

1-800-366-PART 6 a.m. – 11 p.m. CST,
(1-800-366-7278) 7 days a week

www.sears.com/partsdirect

To purchase or inquire about a Sears Service Agreement:

1-800-827-6655

7 a.m. – 5 p.m. CST, Mon. – Sat.

Para pedir servicio de reparación a domicilio,
y para ordenar piezas con entrega a domicilio:

1-888-SU-HOGARSM
(1-888-784-6427)

Au Canada pour service en français:

1-877-LE-FOYERSM
(1-877-533-6937)

