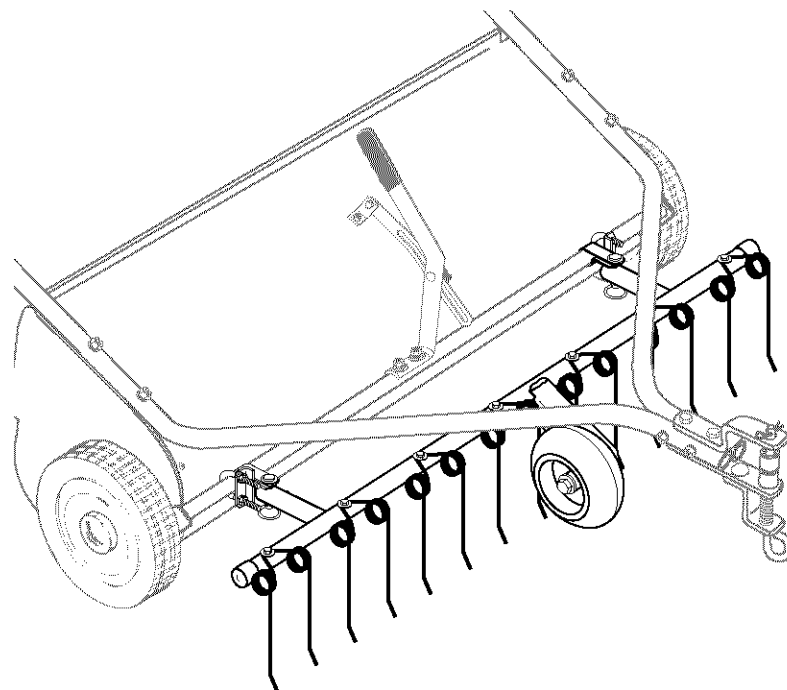


Owner's Manual

CRAFTSMAN®

DETHATCHER FOR SWEEPERS

Model No. 486.24219



CAUTION:

Before using this product, read this manual and follow all Safety Rules and Operating Instructions.

- Safety
- Assembly
- Operation
- Maintenance
- Parts

IMPORTANT - READ THIS FIRST!!!

For Missing Parts or Assembly Questions

Please Call 217-728-8388

Mon.-Fri. 7 am - 5 pm CST.

FAX 217-728-2032 or e-mail info@agri-fab.com

Missing parts will be sent UPS in 24 hours directly to your home.

Sears, Roebuck and Co., Hoffman Estates, IL 60179 U.S.A.

www.sears.com/craftsman

PRINTED IN U.S.A.

FORM NO. 48830 (REV. 1/03)

TABLE OF CONTENTS

SAFETY RULES	2	OPERATION	6
FULL SIZE HARDWARE CHART	3	MAINTENANCE/STORAGE	6
CARTON CONTENTS	4	REPAIR PARTS	7
ASSEMBLY	4	PARTS ORDERING/SERVICE	Back Page

WARRANTY

LIMITED ONE YEAR WARRANTY ON CRAFTSMAN DETHATCHER

For one year from the date of purchase, when this dethatcher is maintained and lubricated according to the operating and maintenance instructions in the owner's manual, Sears will repair any defect in material or workmanship free of charge. If this dethatcher is used for commercial or rental purposes, this warranty applies for only 90 days from the date of purchase.

This warranty does not cover repairs necessary because of operator negligence or abuse, including the failure to maintain the equipment according to instructions contained in the owner's manual.

WARRANTY SERVICE IS AVAILABLE BY CONTACTING THE NEAREST SEARS SERVICE CENTER/DEPARTMENT IN THE UNITED STATES.

This warranty applies only while this product is in the United States.

This warranty gives you specific legal rights, and you may also have other rights which vary from state to state. Sears, Roebuck and Co. D/817 WA. Hoffman Estates, Chicago, IL 60179

The model number and serial numbers will be found on a decal attached to the dethatcher.

You should record both the serial number and the date of purchase and keep in a safe place for future reference.

MODEL NUMBER: 486.24219

SERIAL NUMBER: _____

DATE OF PURCHASE: _____



SAFETY



Any power equipment can cause injury if operated improperly or if the user does not understand how to operate the equipment. Exercise caution at all times, when using power equipment.

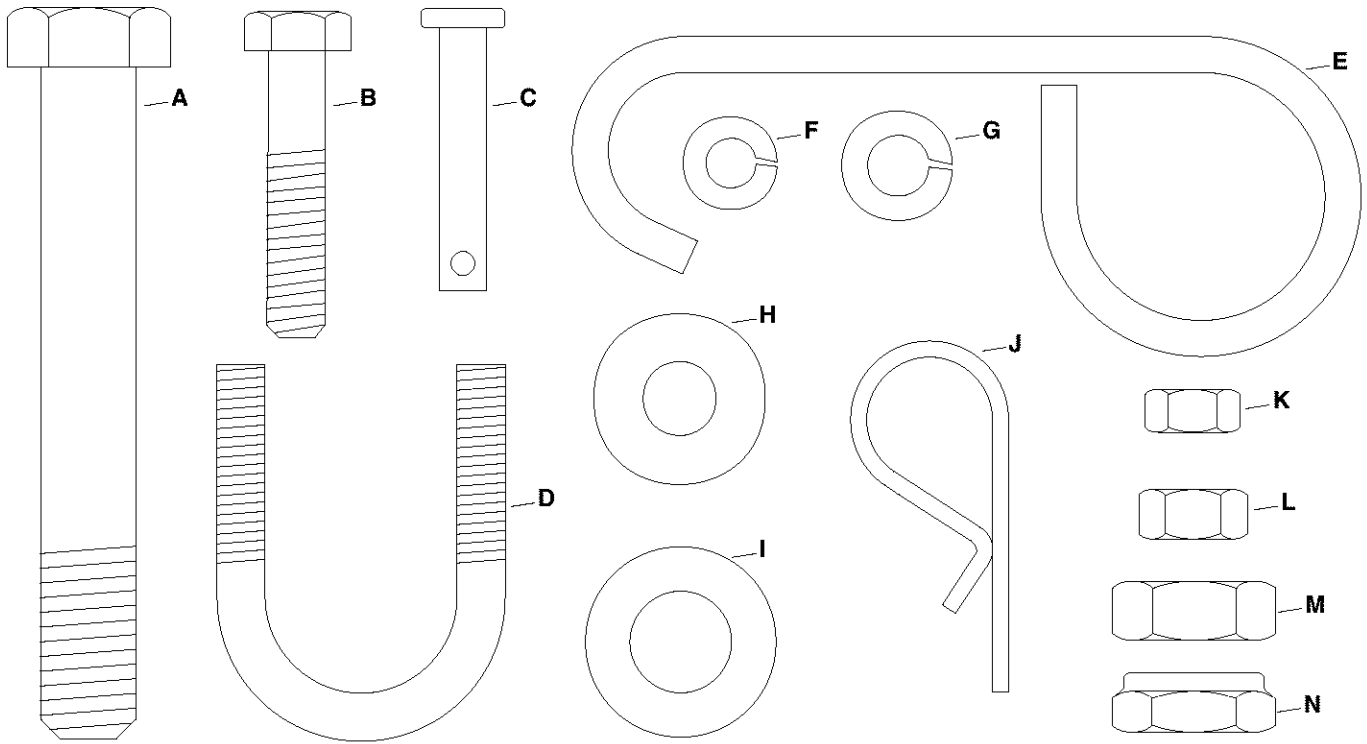
- Read this owners manual carefully for operating and service instructions before attempting to assemble or operate the dethatcher. Be thoroughly familiar with the proper use of the dethatcher.
- Read the vehicle owners manual and vehicle safety rules, and know how to operate the vehicle before using the dethatcher.
- Read the lawnsweeper owners manual and safety rules, and know how to operate the lawnsweeper before using the dethatcher.
- Never allow children to operate the tractor or dethatcher attachment, and do not allow adults to operate without proper instructions.
- This dethatcher attachment has sharp tine points. Always handle with care and wear substantial foot wear when operating this dethatcher.
- Do not allow anyone to ride or sit on the dethatcher, lawnsweeper or towing vehicle.
- Keep the area of operation clear of all persons, particularly small children, and also pets.
- Always begin with the transmission in first (low) gear and engine at low speed, and gradually increase speed as conditions permit.
- Vehicle braking and stability may be affected with the attachment of this equipment. Be aware of changing conditions on slopes. Refer to safety rules in the vehicle owner's manual concerning safe operation on slopes. **STAY OFF OF STEEP SLOPES.**
- Always operate up and down a slope, never across the face of a slope
- This equipment should be operated at reduced speed on rough terrain, along creeks and ditches and on hillsides, to prevent tipping and loss of control. Do not drive too close to a creek or a ditch.
- Follow the maintenance instructions as outlined in this owners manual.



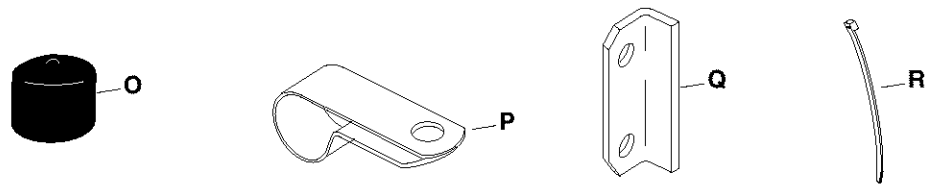
Look for this symbol to point out important safety precautions. It means--**Attention!!**
Become alert!! Your safety is involved.

HARDWARE PACKAGE CONTENTS

SHOWN FULL SIZE



NOT SHOWN FULL SIZE

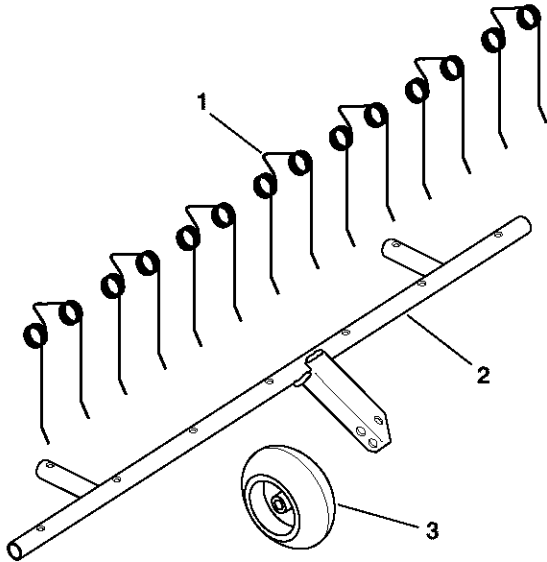


REF.	QTY.	DESCRIPTION	REF.	QTY.	DESCRIPTION
A	1	Hex Bolt, 1/2" x 3-1/2"	J	2	Hair Cotter Pin, 3/32"
B	7	Hex Bolt, 5/16" x 1-1/2"	K	4	Hex Nut, 1/4"
C	2	Clevis Pin, 5/16" x 1-3/8"	L	7	Hex Nut, 5/16"
D	2	U-Bolt	M	1	Jam Nut, Plain 1/2"
E	1	Transport Hook	N	1	Jam Nut, Nylock 1/2"
F	4	Lock Washer, 1/4"	O	2	Vinyl Cap
G	7	Lock Washer, 5/16"	P	2	Conduit Clamp
H	9	Washer, 5/16"	Q	2	Keeper Bracket
I	2	Washer, 1/2"	R	1	Nylon Tie

ASSEMBLY

CARTON CONTENTS

1. Spring Tines (7)
2. Frame Assembly
3. Gauge Wheel



- Turn the frame assembly as shown in figure 1.
- Assemble the spring tines to the top of the frame tube using seven 5/16" x 1-1/2" hex bolts, 5/16" flat washers, 5/16" lock washers and 5/16" hex nuts. (On sweepers smaller than 42", use only 5 spring tines.) See figure 1.
- Assemble a vinyl cap onto each end of the frame tube. See figure 1.

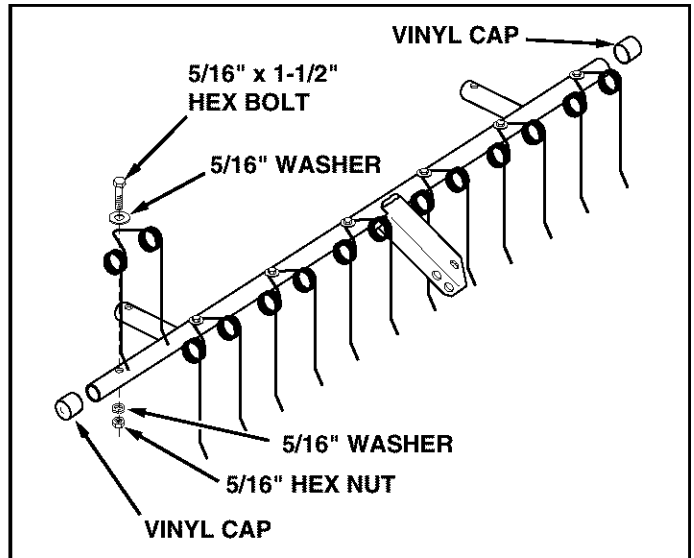


FIGURE 1

TOOLS REQUIRED FOR ASSEMBLY

- (1) 7/16" Wrench
- (2) 1/2" Wrenches
- (2) 3/4" or Adjustable Wrenches
- (1) Knife

- Assemble a 1/2" washer, the wheel, another 1/2" washer and the 1/2" plain jam nut onto the 1/2" x 3-1/2" hex bolt. See figure 2.
- Insert the bolt through the welded bracket and assemble the 1/2" nylock jam nut onto the bolt. Adjust the nuts so that there is no end play in the wheel and then tighten the nuts securely against the welded bracket. Make sure the wheel still turns freely. See figure 2.

REMOVAL OF PARTS FROM CARTON

- Remove all parts and hardware packages from the carton. Lay out all parts and hardware and identify using the illustrations on pages 3 and 4.

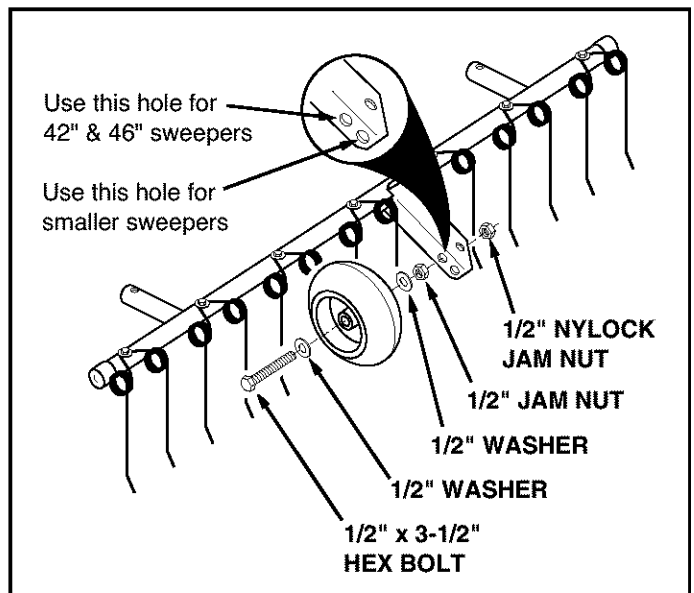


FIGURE 2

- Assemble a conduit clamp onto each end of the sweeper height adjustment tube so that the straight part of the clamp is on top of the tube. See figure 3.
- Remove the hitch brackets and the bolts, if present, from the ends of the sweeper's hitch tubes. Slide the transport hook onto the L.H. hitch tube as shown in figure 3.
- Reassemble the hitch brackets and bolts to the hitch tubes. Refer to your sweeper owner's manual.

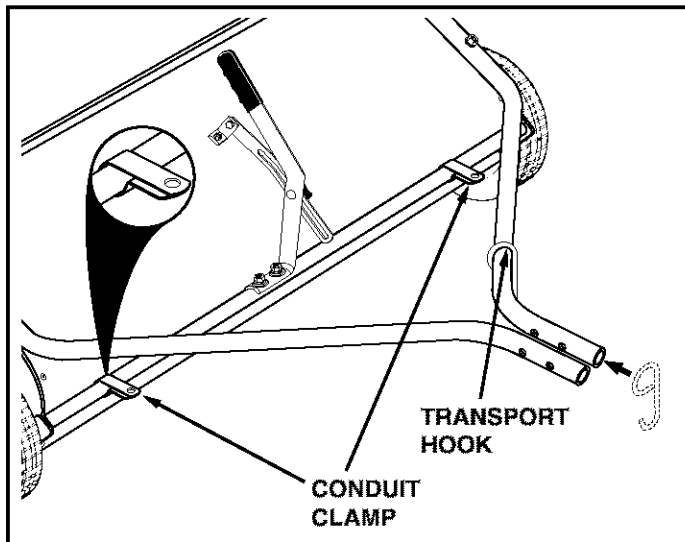


FIGURE 3

- Connect the sweeper to the tractor. Set the sweeper height adjustment handle to about the middle of its adjustment range.
- Place the dethatcher in front of the sweeper housing, underneath the hitch tubes.
- Connect the dethatcher to the conduit clamps using two 5/16" x 1-3/8" clevis pins, 5/16" washers and 3/32" hair cotter pins. See figure 4.

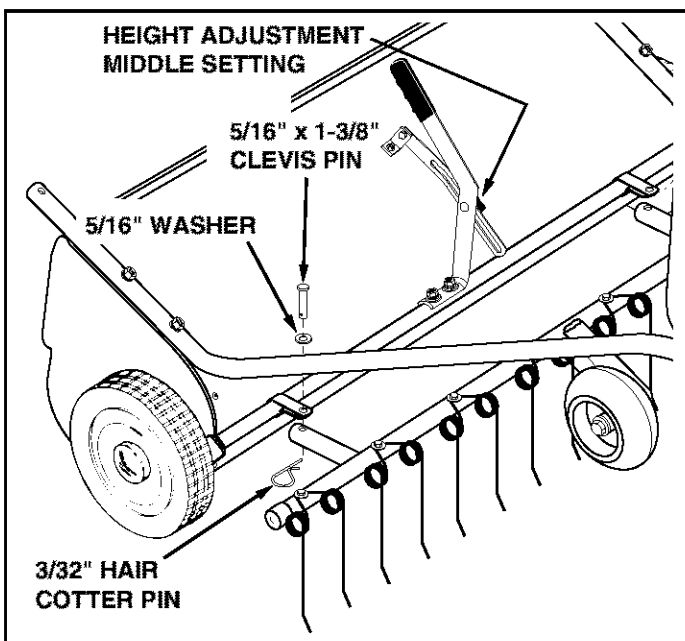


FIGURE 4

If you have a 30" sweeper, skip these steps.

- Make sure the sweeper height adjustment handle is still set to about the middle of its adjustment range.
- Center the dethatcher with the sweeper.
- Assemble the keeper brackets (bend to the inside) to the sweeper's hitch tube, outside of the conduit clamps. Use a u-bolt, two 1/4" lock washers and two 1/4" hex nuts per bracket. Position the keeper brackets against the sides of the conduit clamps, approximately perpendicular to the ground. Tighten the hex nuts without bending the keeper brackets. See figure 5.

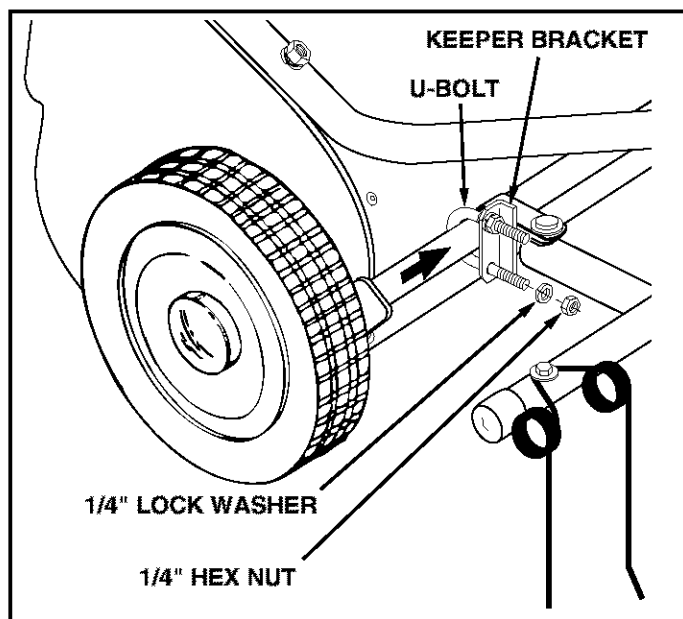


FIGURE 5

- Lift the front of the dethatcher and secure it in transport position using the transport hook. See figure 6.
- To keep the transport hook from sliding back along the hitch tube, you can fasten the supplied nylon tie around the hitch tube behind the transport hook. See figure 6.

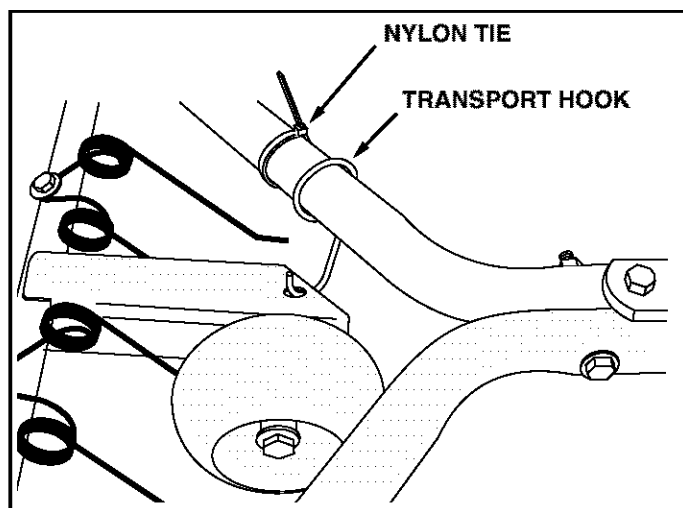


FIGURE 6

OPERATION

HOW TO USE YOUR DETHATCHER

RAISING/LOWERING THE DETHATCHER

- To raise the dethatcher for transport, lift up on the front of the dethatcher and secure it with the transport hook. Lower the dethatcher by releasing the transport hook.

SETTING THE OPERATING POSITION

- The operating height of the dethatcher is controlled by the gauge wheel at the front of the dethatcher and is not adjustable. The correct wheel position was determined in figure 2 when you assembled the wheel.
- Set the sweeper to the desired operating height. (The best height is usually with the brushes set about 1/2" down into the grass.) Refer to your sweeper owner's manual for sweeper.

USING THE DETHATCHER

Regular removal of thatch is critical to the maintenance of a healthy lawn. Thatch is layer of stems, clippings, runners, roots and leaves that have not decayed. Excessive thatch prevents air, water and fertilizer from reaching the roots. The dethatcher will effectively dislodge excessive thatch from your lawn.

- Start with the tractor in low gear. Vary the forward speed to determine the best speed for maximum dethatcher performance.
- Use a crisscross pattern to achieve the most even removal of thatch.
- On slopes, always operate in an up and down direction only.
- Avoid extremely sharp turns.
- Avoid towing the dethatcher across sudden steep dips in the ground while dethatching. Loss of ground contact with the gauge wheel could cause the dethatcher to be pulled back underneath the sweeper.

MAINTENANCE / STORAGE

CUSTOMER RESPONSIBILITIES

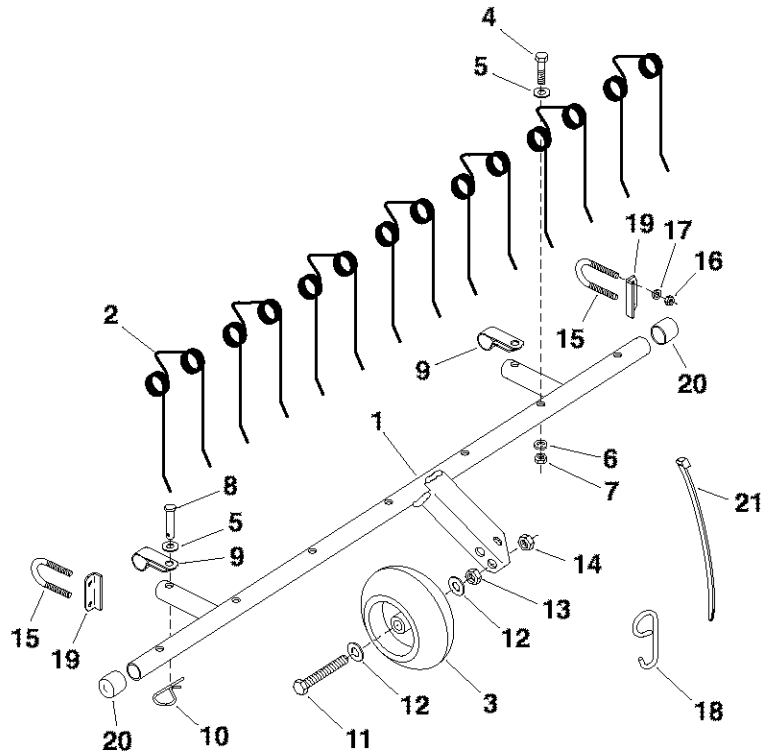
- Read and follow the maintenance schedule and the maintenance procedures listed in this section.

MAINTENANCE SCHEDULE Fill in dates as you complete regular service.	Service Dates											
	Before each use	After each use	Every season	Before storage								
Check for loose fasteners	X											
Check for worn or damaged parts	X			X								
Cleaning		X		X								

- Before each use, check all nuts and bolts for tightness.
- Clean after each use to help prevent rust.
- If rust appears on the spring tines, sand lightly and coat with enamel paint.
- Always store in a dry area, and coat exposed metal with light oil when not in use.

PARTS

REPAIR PARTS FOR MODEL 486.24219 DETHATCHER



REF. NO.	PART NO.	QTY.	DESCRIPTION	REF. NO.	PART NO.	QTY.	DESCRIPTION
1	64650	1	Spring Mount Frame Assem.	12	R19171616	2	Washer, 1/2"
2	46761	7	Spring Tine	13	43019	1	Jam Nut, Plain 1/2-13
3	48098	1	Gauge Wheel	14	48815	1	Jam Nut, Nylock 1/2-13
4	43085	7	Hex Bolt, 5/16-18 x 1-1/2"	15	48813	2	U-Bolt, 1/4-20
5	43081	9	Washer, 5/16"	16	43178	4	Hex Nut, 1/4-20
6	43086	7	Lock Washer, 5/16"	17	43177	4	Lock Washer, 1/4"
7	43083	7	Hex Nut, 5/16-18	18	48811	2	Hook, Transport
8	48812	2	Clevis Pin, 5/16" x 1-3/8"	19	25054	2	Bracket, U-Bolt Clamp
9	47413	2	Clamp	20	44481	2	Vinyl Cap
10	43055	2	Hair Cotter Pin, 3/32"	21	726-0178	1	Nylon Tie
11	44025	1	Hex Bolt, 1/2-13 x 3-1/2"		48830	1	Owner's Manual

Get it fixed, at your home or ours!

For repair of major brand appliances **in your own home...**
no matter who made it, no matter who sold it!

1-800-4-MY-HOMESM Anytime, day or night
(1-800-469-4663)

www.sears.com

To bring in products such as vacuums, lawn equipment and electronics
for repair, call for the location of your nearest **Sears Parts & Repair Center.**

1-800-488-1222 Anytime, day or night

www.sears.com

For the replacement parts, accessories and owner's manuals
that you need to do-it-yourself, call **Sears PartsDirect**SM!

1-800-366-PART 6 a.m. – 11 p.m. CST,
(1-800-366-7278) 7 days a week

www.sears.com/partsdirect

To purchase or inquire about a Sears Service Agreement:

1-800-827-6655

7 a.m. – 5 p.m. CST, Mon. – Sat.

Para pedir servicio de reparación a domicilio,
y para ordenar piezas con entrega a domicilio.

1-888-SU-HOGARSM
(1-888-784-6427)

Au Canada pour service en français.

1-877-LE-FOYERSM
(1-877-533-6937)

