

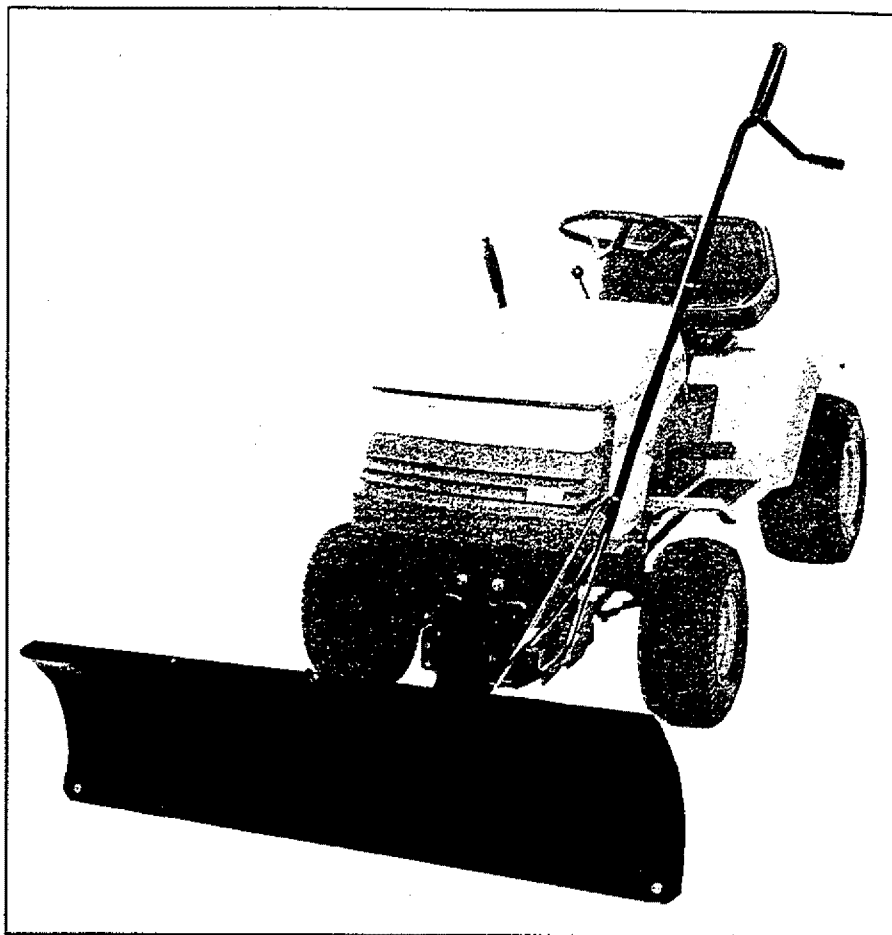
SEARS

**OWNERS
MANUAL**

**Model No.
486.244280**

**48"
SNOW BLADE**

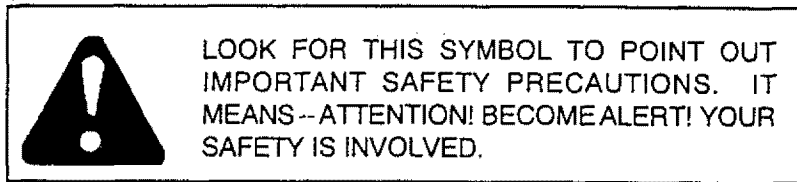
CAUTION:
Read Rules for
Safe Operation
and Instructions
Carefully



CRAFTSMAN
48" SNOW BLADE

RULES FOR SAFE OPERATION

Any power equipment can cause injury if operated improperly or if the user does not understand how to operate the equipment.



Exercise caution at all times, when using power equipment.

1. Read the tractor and snow blade owners manuals and know how to operate your tractor before using tractor with snow blade attachment.
2. Never operate tractor and snow blade without wearing proper clothing suited to weather conditions and operation of controls.
3. Never allow children to operate tractor and snow blade, and do not allow adults to operate without proper instructions.
4. Always begin with transmission in first (low) gear and gradually increase speed as required.

CONGRATULATIONS on your purchase of a Sears snow blade. It has been designed, manufactured and engineered to give you the best possible dependability and performance.

Should you experience any problem you can not easily remedy, please contact your nearest Sears Service Center/Department. We have competent well trained technicians and the proper tools to service or repair this snow blade.

Please read and retain this manual. The instructions will enable you to assemble and maintain your snow blade properly. Always observe the "SAFETY RULES".

CUSTOMER RESPONSIBILITIES

- Read and observe the safety rules.
- Follow the instructions under "Customer Responsibilities" and "Storage" sections of this manual.

LIMITED ONE YEAR WARRANTY ON 48" SNOW BLADE

For one year from the date of purchase, when this snow blade is maintained and lubricated according to the operating and maintenance instructions in the owner's manual, Sears will repair free of charge any defect in material or workmanship. If this snow blade is used for commercial or rental purposes, this warranty applies for only 90 days from the date of purchase.

This warranty does not cover:

repairs necessary because of operator negligence or abuse, including the failure to maintain the equipment according to instructions contained in the owner's manual.

WARRANTY SERVICE IS AVAILABLE BY CONTACTING THE NEAREST SEARS SERVICE CENTER/DEPARTMENT IN THE UNITED STATES.

This warranty applies only while this product is in the United States.

This warranty gives you specific legal rights, and you may also have other rights which vary from state to state.

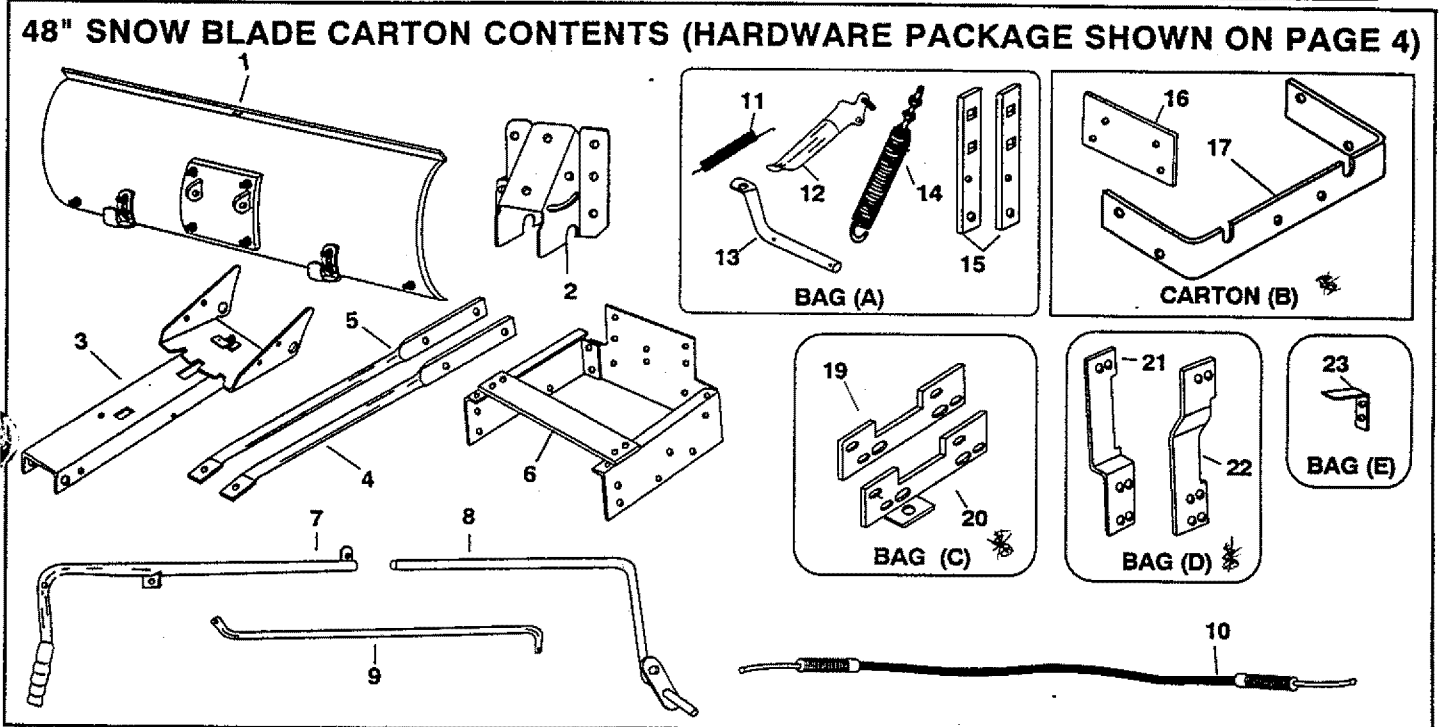
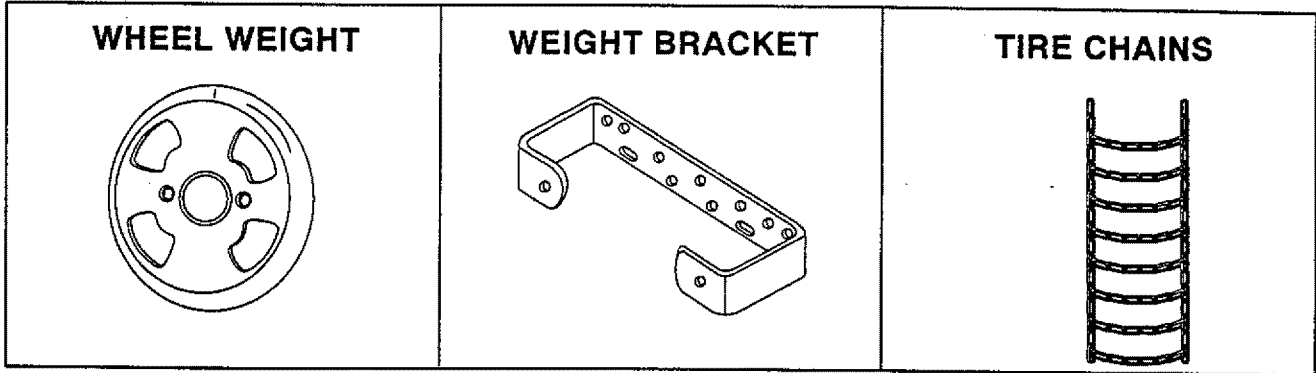
Sears, Roebuck and Co. D/817 WA. HOFFMAN ESTATES, CHICAGO, ILLINOIS 60179

TABLE OF CONTENTS

SAFETY RULES.....	2	ASSEMBLY FOR 536... SERIES.....	9-10
CUSTOMER RESPONSIBILITIES.....	2,15	UNIVERSAL FINAL ASSEMBLY.....	11-14
ACCESSORIES.....	3	OPERATION AND ADJUSTMENTS.....	14-15
CARTON CONTENTS.....	3-4	STORAGE.....	15
ASSEMBLY FOR 917... SERIES.....	5-6	PARTS EXPLOSION.....	16
ASSEMBLY FOR 502... SERIES.....	7-8	REPAIR PARTS.....	17
		PARTS ORDERING/SERVICE.....	BACK COVER

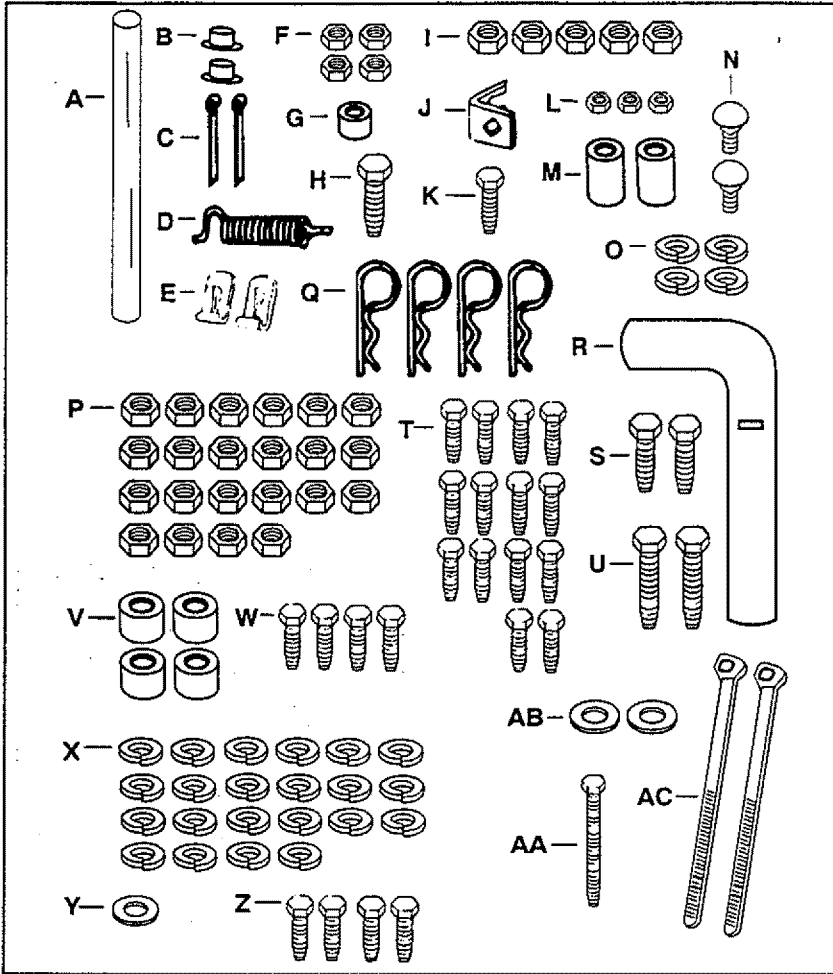
ACCESSORIES

These accessories were available when your snow blade was purchased. They are also available at most Sears retail outlets and service centers. Most Sears stores can order repair parts for you when you provide the model number of your snow blade.



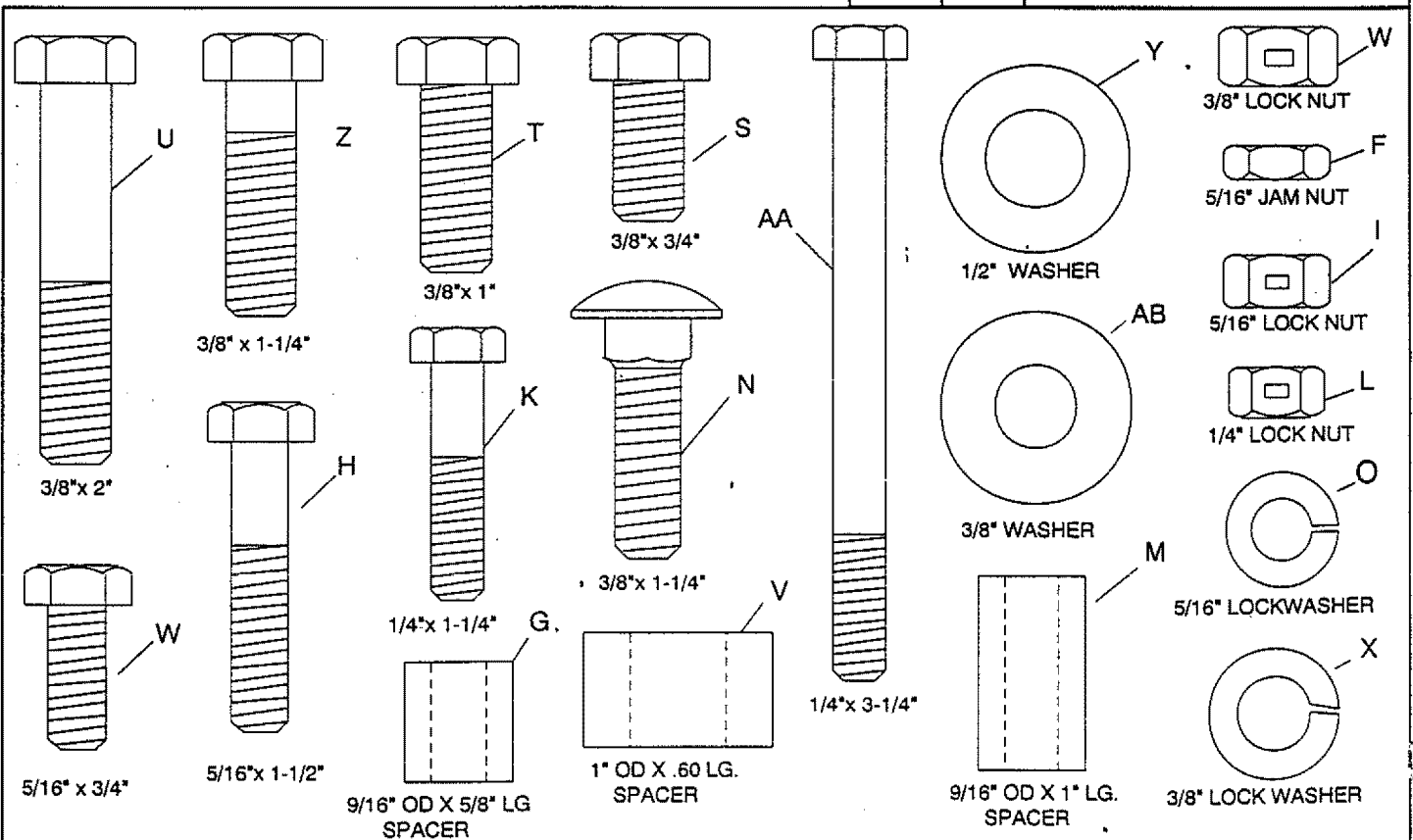
CARTON CONTENTS

REF.	QTY.	DESCRIPTION	REF.	QTY.	DESCRIPTION
Parts Loose in Carton (used on all tractors)			15	2	Angle Lock Bars
1	1	Blade Assembly	Parts in Carton (B)(used on 917 tractors only)		
2	1	Pivot Support Bracket	16	1	Pivot Plate Bracket
3	1	Channel Assembly	17	1	Frame Reinforcement Bracket
4	1	Brace Tube (R.H.)	Parts in Bag (C)(used on 917 & 502 tractors)		
5	1	Brace Tube (L.H.)	19	1	Brace Mount Bracket (L.H.)
6	1	Frame Assembly *	20	1	Brace Mount Bracket (R.H.)
7	1	Handle Tube	Parts in Bag (D)(used on 502 & 536 tractors)		
8	1	Lift Rod *	21	1	Frame Bracket (L.H.)
9	1	Blade Pivot Rod	22	1	Frame Bracket (R.H.)
10	1	Cable	Part in Bag (E)(used on 502 tractors only)		
Parts in BAG (A) (used on all tractors)			23	1	Axle Pivot Bracket
11	1	Extension Spring	Hardware Package (Shown On Page 4)		
12	1	Grip Assembly	NOTE: Not all parts and fasteners included in carton will be used for every fit-up.		
13	1	Blade Pivot Shaft			
14	1	Blade Adjust Spring			



REF.	QTY.	DESCRIPTION
A	1	Spring Mount Rod
B	2	Palnut, 3/8"
C	2	Cotter Pin 1/8" x 1-1/4"
D	1	Angle Lock Spring
E	2	Cable End Fitting
F	4	Hex Jam Nut 5/16" Thread
G	1	Spacer, 9/16" OD x 5/8" LG.
H	1	Hex Bolt, 5/16-18 x 1-1/2"
I	5	Hex Lock Nut 5/16-18 Thread
J	1	Cable Mount Bracket
K	1	Hex Bolt 1/4-20 x 1-1/4"
L	3	Hex Lock Nut 1/4-20 Thread
M	2	Spacer, 9/16" OD x 1" LG.
N	2	Carriage Bolt 3/8-16 x 1-1/4"
O	4	Lock Washer 5/16"
P	22	Hex Lock Nut 3/8-16 Thread
Q	4	Hairpin Cotter
R	1	Channel Pivot pin
S	2	Hex Bolt, 3/8-16 x 3/4" LG.
T	14	Hex Bolt 3/8-16 x 1"
U	2	Hex Bolt 3/8-16 x 2"
V	4	Spacer, 1" OD x .60 LG.
W	4	Hex Bolt, 5/16-18 x 3/4" LG.
X	22	Washer, 3/8" Lock
Y	1	Washer 1/2"
Z	4	Hex Bolt, 3/8-16 x 1-1/4" LG.
AA	1	Hex Bolt, 1/4-20 x 3-1/4" LG.
AB	2	Washer, 3/8" STD.
AC	2	Nylon Tie

FIGURE 1 HARDWARE PACKAGE



FULL SIZE HARDWARE REFERENCE CHART

ASSEMBLY INSTRUCTIONS

TOOLS REQUIRED FOR ASSEMBLY

- (1) Pliers
- (1) Hammer
- (1) Adjustable Wrench (or socket set)
- (1) 9/16" Open End or Box End Wrench
- (1) 7/16" Open End or Box End Wrench
- (1) 1/2" Open End or Box End Wrench

Parts Bag Usage:

You will use the following enclosed bags based on the first 3 digits of your TRACTOR model number.

M/N	Parts Bags Used
502	A, C, D and E Only
536	A and D Only
917	A, B and C Only

DISCARD UNUSED BAGS.

REMOVAL OF PARTS FROM CARTON

- Refer to carton contents on page 3 and figure 1 on page 4 for parts and hardware needed to assemble snow blade.

NOTE: Right hand (R.H.) and left hand (L.H.) are determined from the operators position while seated on the tractor.

TRACTOR PREPARATION

- Remove mower deck or any other attachment you may have mounted to your tractor. Mark all loose parts and save for re-assembly. Refer to owners manual for removal of mower/attachment.

ASSEMBLY OF SNOW BLADE TO MODEL NO. 917 ___ TRACTORS

Use all parts packed loose in Carton, and all parts in Bag (A), Carton (B) and Bag (C).

Discard Bag (D) and Bag (E).

Not all parts in Hardware Package will be used.

- Using the two bottom holes, attach the pivot support bracket to the front of the frame assembly using two 3/8" x 1" hex bolts, lockwashers and lock nuts. See figure 2. **Do not tighten till next step.**

- Using the two top holes assemble the pivot plate bracket to the front (inside) of the frame assembly using two 3/8" x 1-1/4" hex bolts, lockwashers and lock nuts. See figure 2. **Tighten all loose bolts.**
- Attach the left and right hand tube braces on the inside of the left and right hand sides of the frame assembly using four 3/8" x 1" hex bolts, lockwashers and locknuts. Both tube braces should angle up and out. **Do not tighten at this time.** See figure 2.

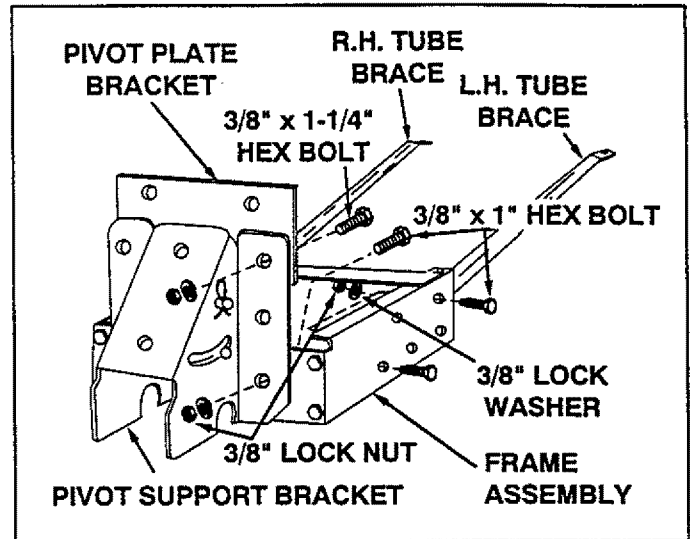


FIGURE 2

NOTE

- To attach frame reinforcement bracket in the next step, the tractor hood can be removed for easier access. Refer to your owner's manual for removal of hood.
- Attach frame reinforcement bracket to front of tractor frame using four 3/8" x 1" hex bolts, four 3/8" lock washers and four 3/8" lock nuts. **Do not tighten.** See figure 3.

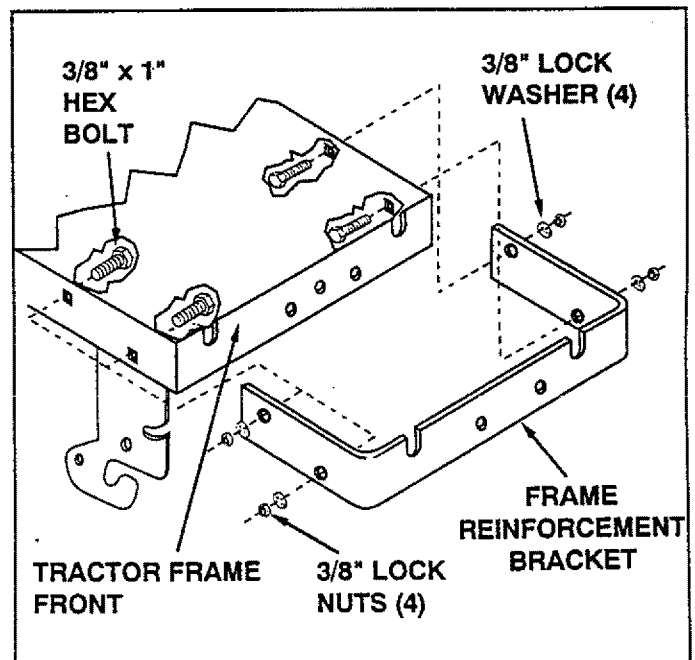


FIGURE 3

- Lower the mower lift assembly.
- Starting at the rear of the foot rest, remove and discard, if present, the two bolts in the bottom set of holes as illustrated in figure 4. Repeat on opposite side foot rest.
- Place a 3/8" x 3/4" hex bolt in ear of both brace mount brackets as shown in figure 4. Now, using the two small bottom slots in the brace mount brackets, attach both brackets (R.H and L.H.) underneath both sides of the tractor frame using four 3/8" x 1" hex bolts, lock washers and lock nuts. (Brackets should be positioned on the inside of the frame with ears to the rear and pointing outward.) **Do not tighten.** See figure 4.

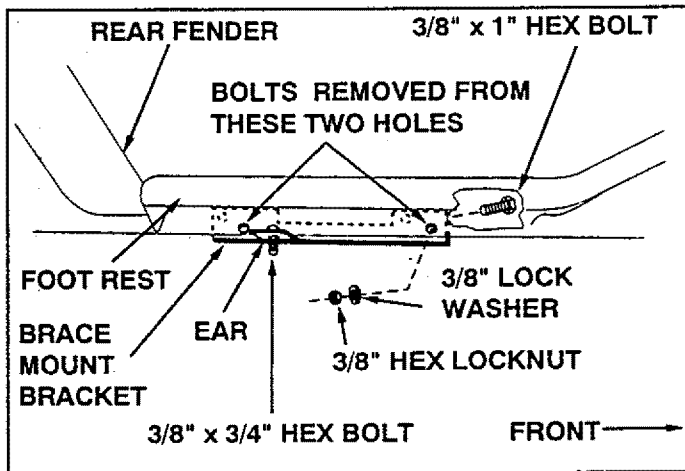


FIGURE 4 (Right hand side view)

- Raise the mower lift assembly.
- Slide blade frame assembly under tractor, with the brace tubes at the rear.
- Attach brace tube to brace mount bracket using the 3/8" x 3/4" hex bolt already assembled in previous step. Secure with a 3/8" lock washer and 3/8" lock nut. Repeat this step on opposite side. **Do not tighten at this time.** See figure 5.

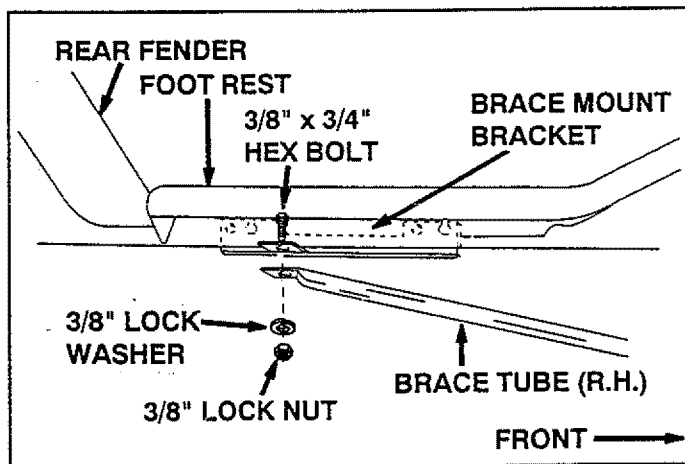


FIGURE 5 (Right hand side view)

- Attach blade frame assembly to inside of tractor frame by aligning holes in pivot plate bracket with holes in front end of tractor frame and frame reinforcement bracket. Secure using two 3/8" x 1-1/4" hex bolts, 3/8" flat washers, 3/8" lock washers and 3/8" lock nuts. **Tighten these two bolts at this time.** See figure 6.

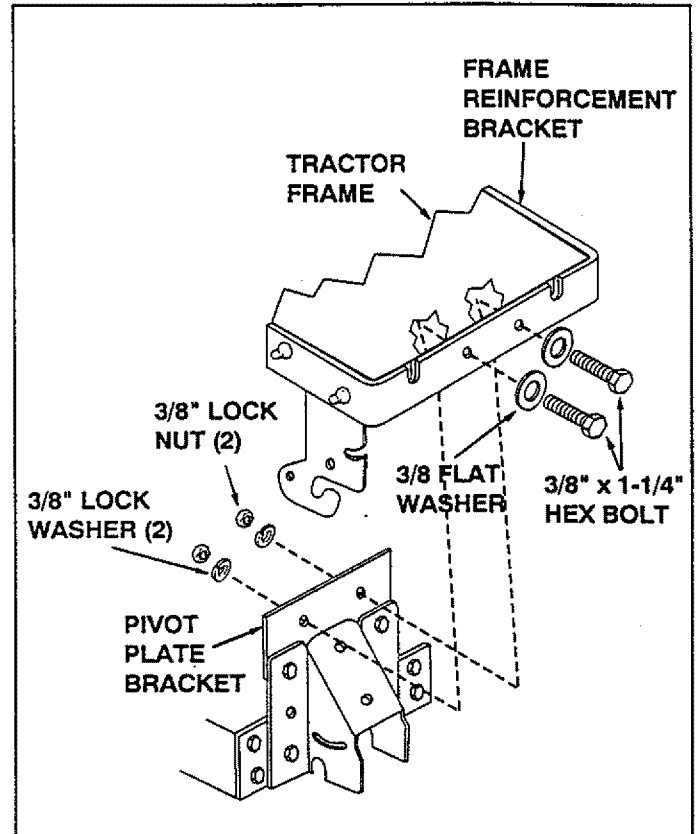


FIGURE 6

- At this time tighten all of the following bolts previously left untightened.
 - Tighten** the 4 bolts fastening the frame reinforcement bracket to the tractor frame.
 - Tighten** the 4 bolts fastening the tube braces to the frame assembly.
 - Tighten** the 2 bolts fastening the tube braces to the brace mount brackets.
 - Tighten** the 4 bolts fastening the brace mount brackets to the tractor frame.
- See **FINAL ASSEMBLY** on page 11 to complete your hook up.

ASSEMBLY OF SNOW BLADE TO MODEL NO. 502 _____ TRACTORS

Use all parts packed loose in Carton,
and all parts in Bag (A), Bag (C),
Bag (D) and Bag (E).

Discard Carton (B)

Not all parts in Hardware Package will
be used

- Remove the four bolts which fasten the cross brace to the frame assembly and reposition and fasten the brace using the back set of holes in the frame assembly. **Tighten.** See figure 7.
- Assemble axle pivot bracket to the inside of the front plate on frame assembly using two 3/8" x 1" hex bolts, 3/8" lock washers and 3/8" lock nuts. **Tighten.** See figure 7.

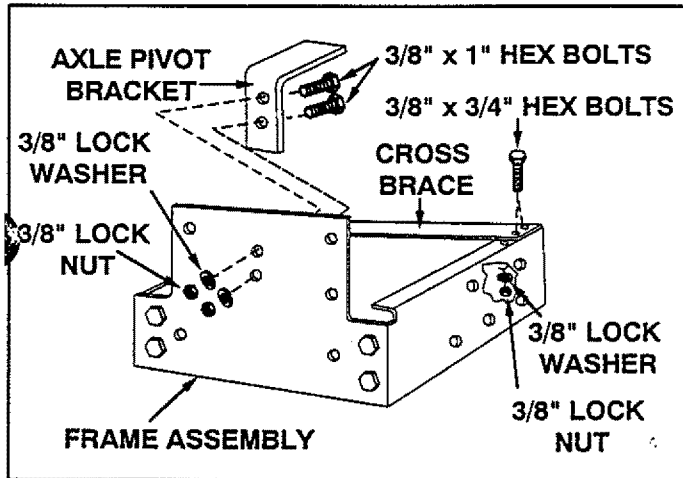


FIGURE 7

- Using the top and bottom holes on both sides of the pivot support bracket, attach it to the outside of the front plate of the frame assembly using four 3/8" x 1" hex bolts, lock washers and lock nuts. **Tighten.** See figure 8.

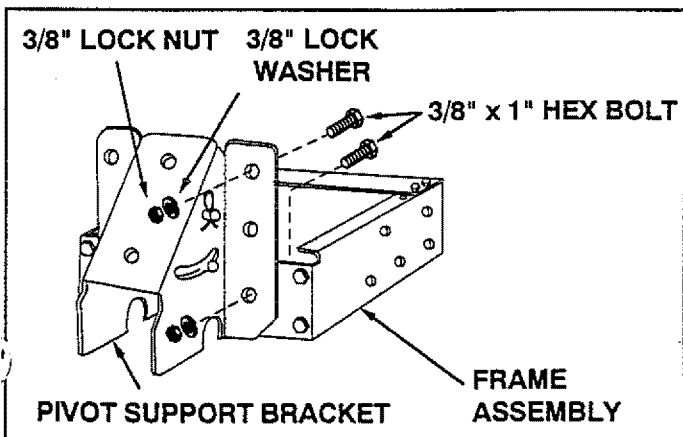


FIGURE 8

- Attach frame brackets (R.H. and L.H.) to the inside of tractor frame using the front hole in the brackets and the hole in each side of tractor frame that is at the front of the foot rest and the back edge of the engine. See figure 9. Fasten each bracket with one 3/8" x 1" hex bolt, lock washer and lock nut. (Note that brackets are positioned with the bends pointing in, the notched side to the front and the four holes at the bottom.) **Do not tighten.** See figure 9.

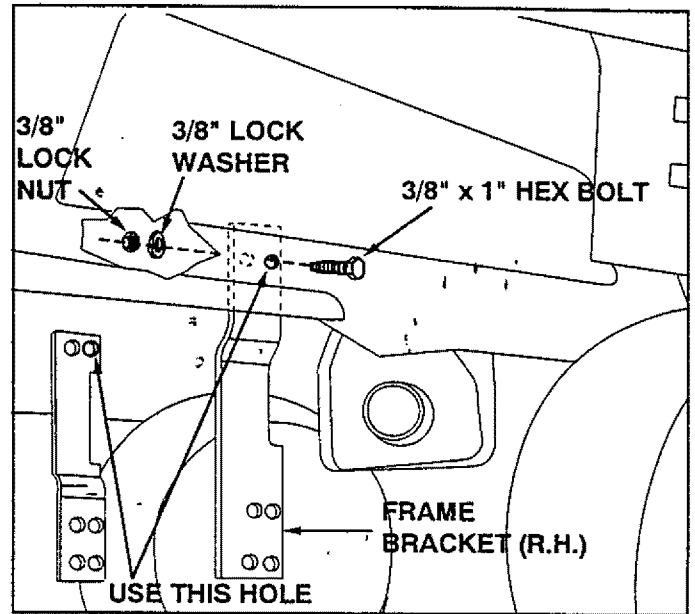


FIGURE 9

(Right Hand Side View)

- Attach blade frame assembly to the tractor frame by inserting the axle pivot bracket into the hole in the center of the axle. See figure 10.
- Attach the blade frame assembly to frame brackets (R.H. and L.H.) using the bottom front hole on each bracket and the bottom rear holes on both sides of the frame assembly. Use two 3/8" x 1" bolts, 3/8" lockwashers and 3/8" lock nuts. **Do not tighten.** See figure 10.

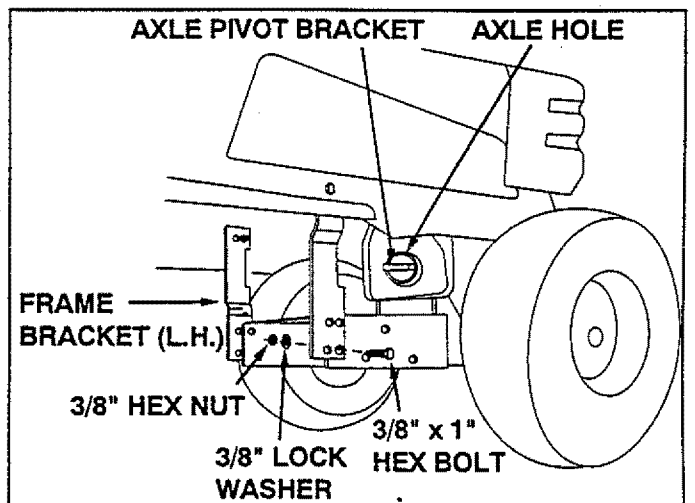


FIGURE 10

(Right Hand Side View)

- On both sides of tractor, remove and discard the bolts in the two holes located directly in front and behind the fenders as shown in figure 11. Insert a 3/8" x 3/4" hex bolt down through the ear of each brace mount bracket. Attach the L. H. bracket to the left side of the tractor on the inside of tractor frame using two 5/16" x 3/4" hex bolts, lockwashers and lock nuts as shown in figure 11. Ear of bracket should be to the rear and facing outward. Repeat for right side using R.H. bracket. **Do not tighten.** See figure 11.

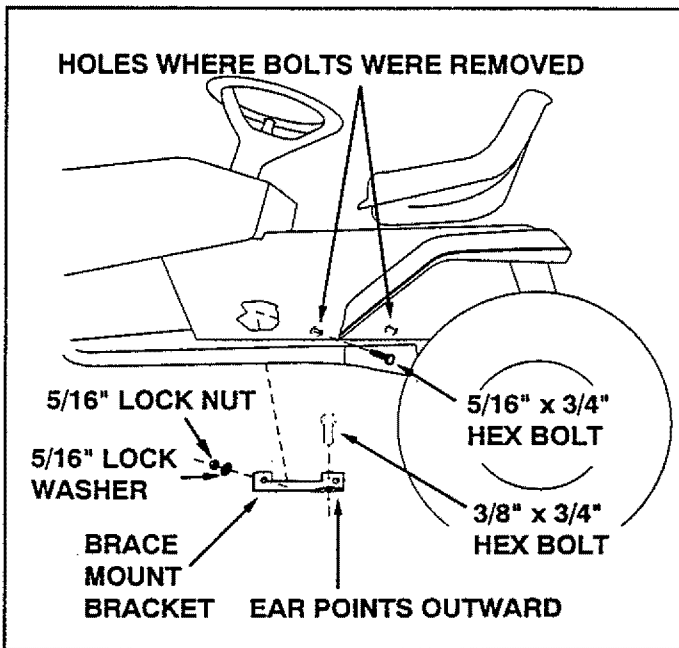


FIGURE 11 (Left Hand Side View)

- Attach the brace tubes (L.H. and R.H.) to the outside of the frame assembly using the front bottom hole in the frame assembly and the aligned hole through the frame assembly and the frame bracket as shown in figure 12. Use two 3/8" x 1" hex bolts, lock washers and lock nuts on each side. Attach the other end of the brace tubes to the brace mount brackets using the 3/8" x 3/4" hex bolts inserted in previous step. Secure from underneath with a 3/8" lock washer, and lock nut on both brace tubes. See figure 12.

- At this time tighten all of the following bolts previously left untightened.
 - Tighten** the 2 bolts fastening the frame brackets to the tractor.
 - Tighten** the 2 bolts fastening the frame assembly to the frame brackets.
 - Tighten** the 4 bolts fastening the brace mount tubes to the frame assembly.
 - Tighten** the 4 bolts fastening the brace mount brackets to the tractor.
 - Tighten** the 2 bolts fastening the brace mount tubes to the brace mount brackets.

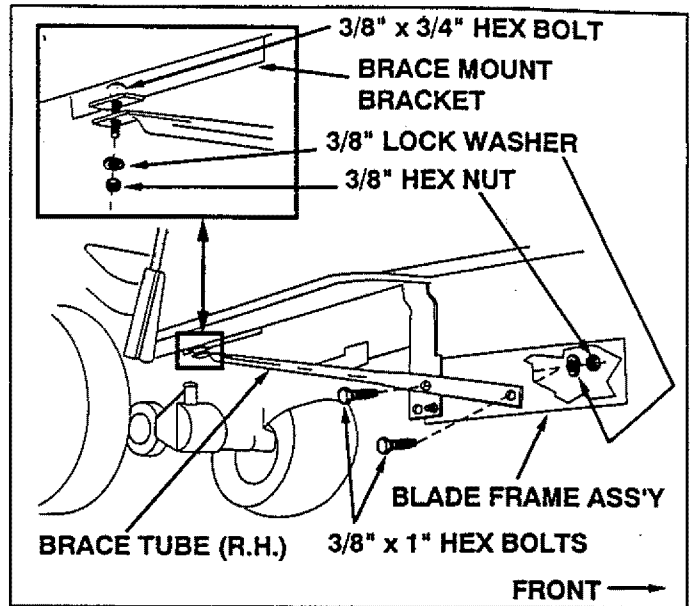


FIGURE 12 (Right Hand Side View)

- See **FINAL ASSEMBLY** on page 11 to complete your hook up.

ASSEMBLY OF SNOW BLADE TO MODEL NO. 536_____TRACTORS

Use all parts packed loose in Carton, and all parts in Bag (A) and Bag (D). Discard Carton (B), Bag (C) and Bag (E).
Not all parts in Hardware Package will be used.

- Using the top and bottom holes on both sides of the pivot support bracket, attach the bracket to the front plate of the frame assembly using four 3/8" x 1" hex bolts, lock washers and lock nuts. **Tighten.** See figure 13.

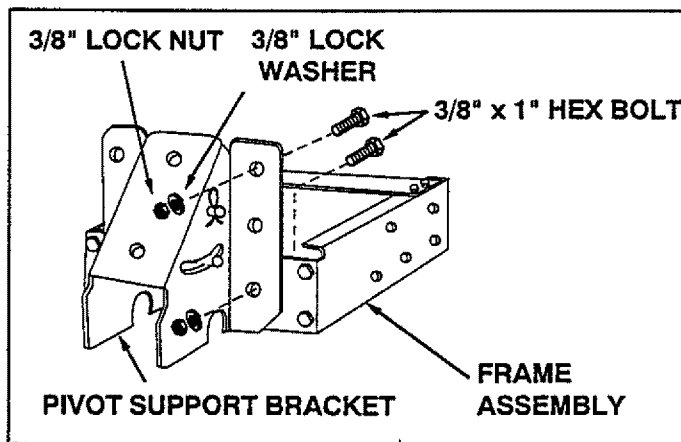


FIGURE 13

NOTE: The following assembly requires careful attention to identification and placement of R.H. and L.H. frame brackets. (Refer to **CARTON CONTENTS** on page 4). On both brackets the four holes should be on bottom and to the front with the bend pointing away from the frame assembly.

- Position the left hand frame bracket against the left side of the frame assembly as shown in figure 14, aligning the front two holes in the frame bracket with the rear two holes in the frame assembly. Fasten through the bottom hole only, using a 3/8" x 1" hex bolt, lockwasher and locknut. Repeat for right hand side. **Do not tighten.** See figure 14.

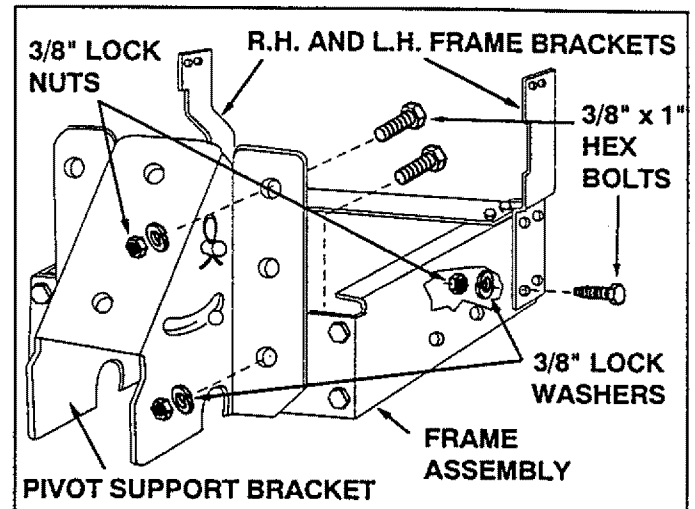


FIGURE 14

(Left Hand Side View)

- Attach the L.H. brace tube to the outside of the frame assembly as shown in figure 15. Fasten through the aligned upper front hole in frame bracket and through bottom front hole in frame assembly using two 3/8" x 1" hex bolts, lockwashers and lock nuts. Repeat for R.H. side. When properly assembled the handle brace tubes will angle up and out. **Do not tighten.** See figure 15.

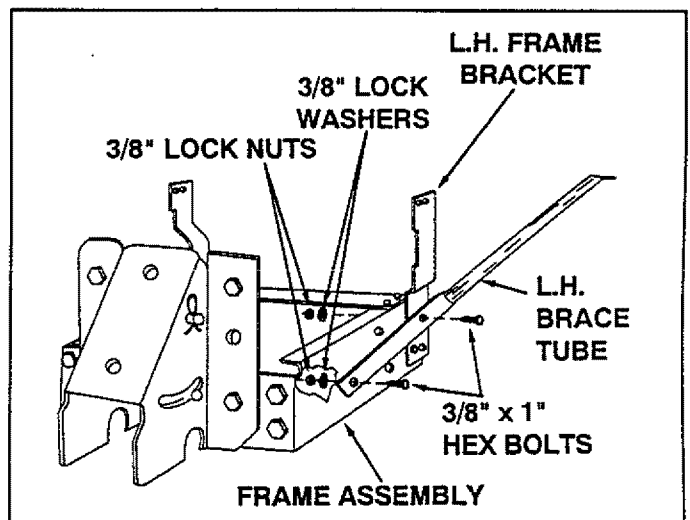


FIGURE 15

- Attach the R.H. brace tube to the tractor frame using a 3/8" x 2" hex bolt, two spacers, a lockwasher and a locknut as shown in figure 16. Use the empty hole located to the rear and to the inside of the foot rest. Hole is concealed by the rubber foot pad. Repeat for left side. **Do not tighten.** See figure 16.

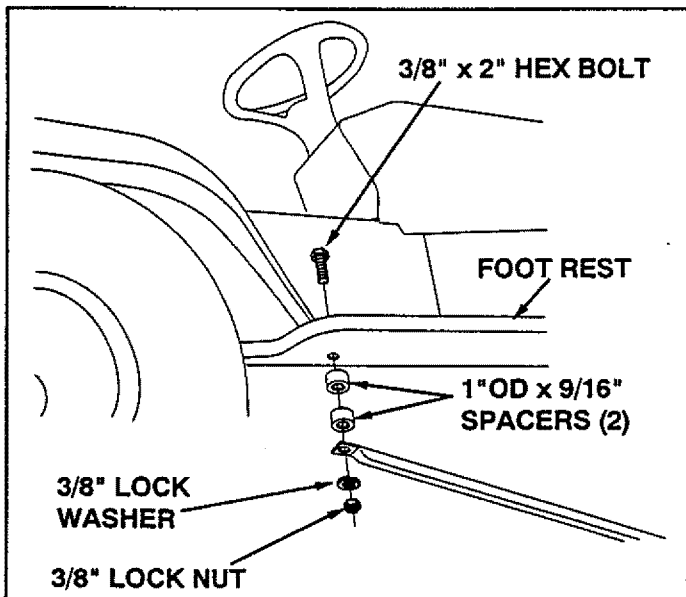


FIGURE 16 (Right Hand Side View)

- Remove the 7/16" x 1" bolt (if present) from the hole located in the side of the tractor frame, below the engine and just ahead of the foot rest. Attach the front hole in the L.H. frame bracket to this hole as shown in figure 17. Use a 3/8" x 1" hex bolt, lockwasher and lock nut. Repeat for other side. **Tighten.** See figure 17.

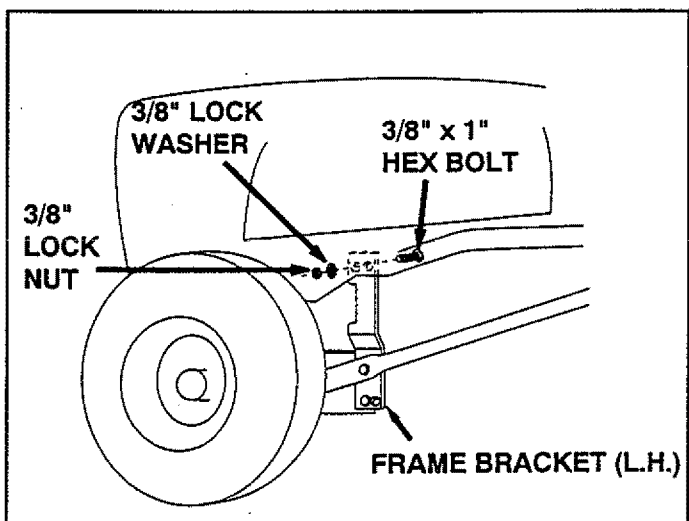


FIGURE 17 (Left Hand Side View)

- At this time tighten all of the following bolts previously left untightened.
 - Tighten** the 2 bolts fastening the R.H. and L.H. brace tubes to the tractor frame.
 - Tighten** the 2 bolts fastening the frame assembly to the frame brackets.
 - Tighten** the 4 bolts fastening the brace tubes to the frame assembly.

- See **FINAL ASSEMBLY** on page 11 to complete your hook up.

INSTALLING WHEEL WEIGHTS (PURCHASED SEPARATELY) ON ALL WHEEL STEER TRACTORS: MODEL NUMBERS BEGINNING WITH 536...

Installation of rear weights to the "All Wheel Steer" Series 536 tractor requires the use of (4) 3/8" x 6" bolts. The bolts must be inserted from the inside with the flat washers, lock washers and nuts installed on the outside of the wheel weights.

CAUTION: Failure to install the bolts from the inside will lock up the wheels and damage the "All Wheel Steering" mechanism.

If these 3/8" x 6" bolts have not been furnished with the wheel weights, call Lemont Industries (Phone #815-634-2214)

FINAL ASSEMBLY

- Assemble the two angle lock bars together as shown in figure 18, so that all holes are aligned. Use one 3/8" x 1-1/4" carriage bolt, one 3/8" lock washer and one 3/8" hex lock nut. Be sure to insert bolt from side indicated. **Do not tighten at this time.** See figure 18.

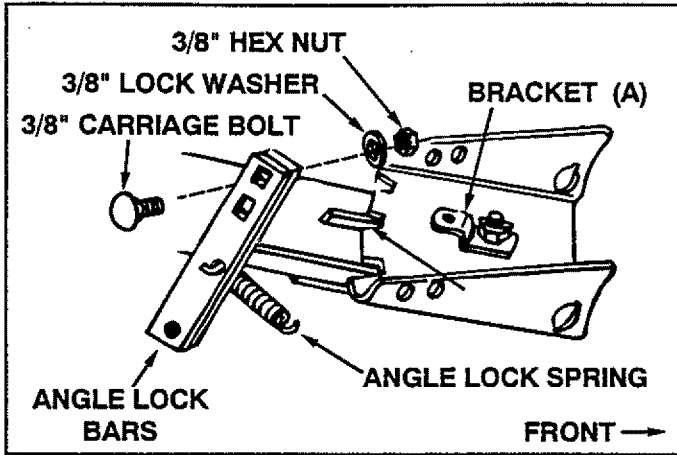


FIGURE 18 (Right Hand Side View)

- Hold the angle lock bars so that the square holes are at the top. Hold the angle lock spring so that the opening of the round hook is facing up. Insert the straight hook end of the spring through the middle hole in both angle lock bars as shown in figure 18.
- Assemble round hook end of angle lock spring up through the hole in bracket (A), which is mounted on the pivot bracket. See figures 18 and 19.
- Pull on angle lock bars to extend spring just enough to allow insertion of bars down through slot in channel and pivot bracket. Using a 1/4" x 3-1/4" bolt, two 1" long spacers and a 1/4" lock nut, align the two spacers underneath the channel on both sides of the angle lock bars and insert the bolt through holes in sides of the channel and through the angle lock bars and the two spacers. Assemble the lock nut to the bolt on outside of channel. Tighten so that lock bars pivot freely. See figure 19.
- At this time tighten the 3/8" carriage bolt and hex nut previously assembled to angle lock bars.**

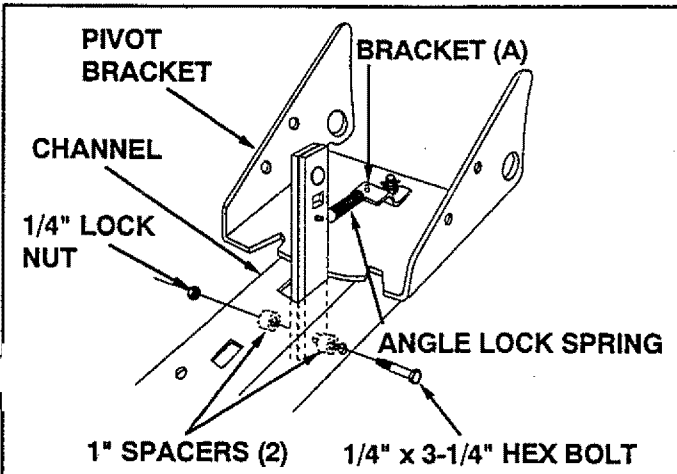


FIGURE 19 (Right Hand Side View)

NOTE: Angle lock bars should pivot freely; and when they are pulled all the way back, the channel/pivot plate assembly should be unlocked and free to pivot to right or left position notches.

- Using a hammer, drive a 3/8" palnut onto one end of spring mount rod. Insert the other end of the spring mount rod through the rear holes on both sides of the pivot plate. Support end (with palnut) of the spring mount rod with a block of wood, and hammer on the remaining palnut. See figure 20.

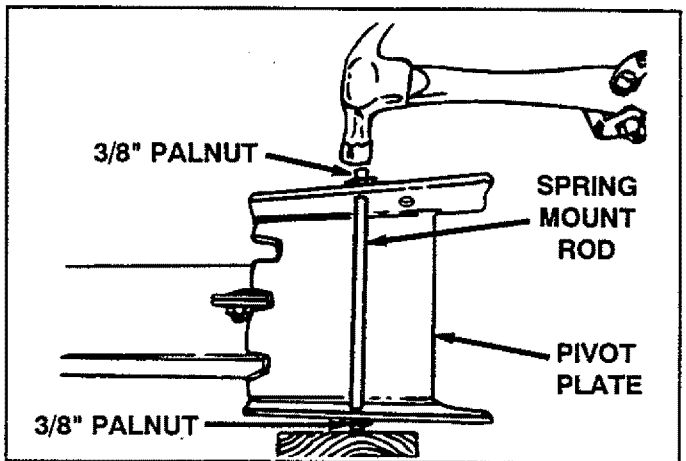


FIGURE 20 (Top View)

- Assemble 3/8" x 1-1/4" carriage bolt through square hole in cable mount bracket and through square hole in angle lock bars as shown in figure 21. Note that the top bolt faces in opposite direction. Using pliers hold the cable mount bracket in position, angling down towards small hole in channel as shown in figure 21, and secure with a 3/8" lock washer and a 3/8" lock nut. **Tighten.** See figure 21. See also figure 23 on page 12 for angle of cable mount bracket.

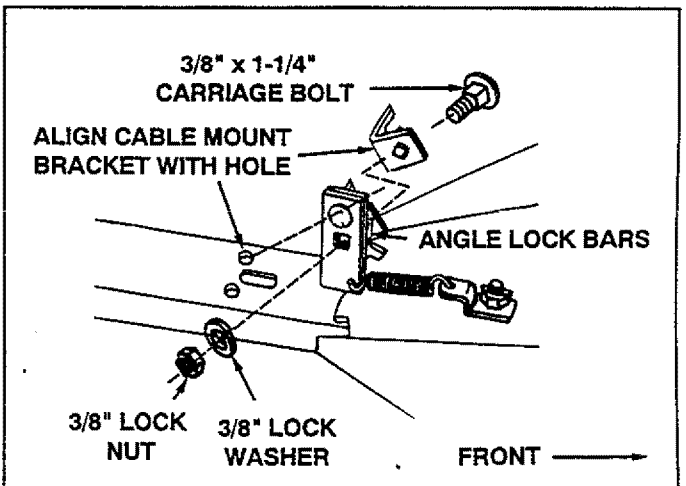


FIGURE 21 (Right Hand Side View)

- Assemble one 5/16" jam nut approximately 3/4" onto threaded end of control cable. Assemble threaded cable end through round hole in cable mount bracket as shown in figure 22, and secure with another 5/16" jam nut. **Tighten.** See figure 22.

NOTE: Some adjustment of jam nuts may be required after blade assembly is completed.

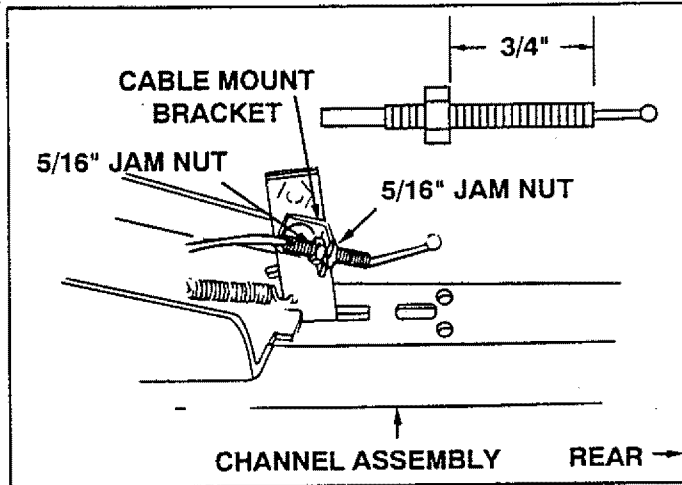


FIGURE 22 (Left Hand Side View)

- Assemble ball end of control cable up through hole in cable end fitting and pull till ball slips inside curled edge of fitting as shown in figure 23. Note: If ball wont slip under edge of curl it will need to be inserted through open end of curl. See figure 23
- Assemble 1/4" x 1-1/4" hex bolt down through the cable end fitting, the 5/8" long spacer and the left hand hole in the channel assembly. Secure with a 1/4" hex lock nut. See figure 23. **Tighten.**

NOTE: The other end of the control cable will be attached in a later step.

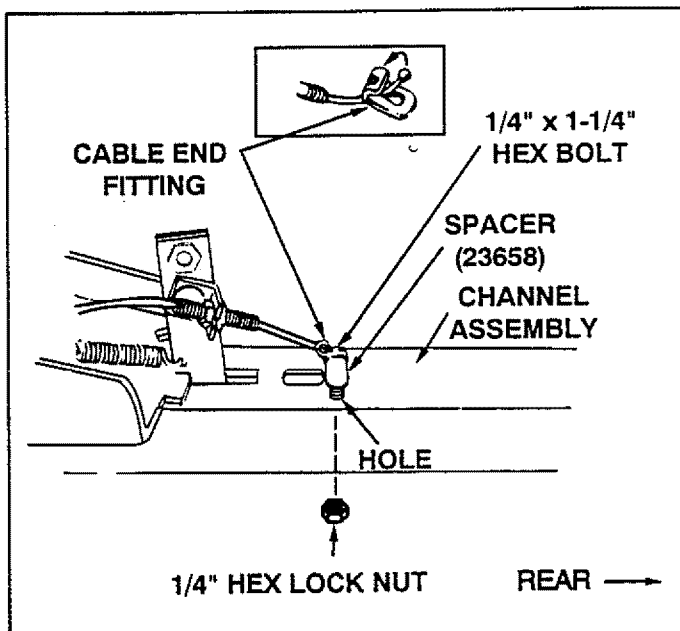


FIGURE 23 (Left Hand Side View)

- Insert a 1/8" x 1-1/4" cotter pin down through hole nearest to bend in blade pivot shaft and spread end. Attach blade assembly to channel assembly by inserting the blade pivot shaft from the left side (bend facing up) through the notched holes in the blade and channel assemblies. Secure with another 1/8" x 1-1/4" cotter pin through the end hole in pivot shaft. Spread end of pin. See figure 24.

- Attach blade adjust spring over spring mount rod as shown in figure 24. Remove plastic cap, and one 3/8" hex nut from bolt assembled in spring. Adjust the remaining 3/8" hex nut down approximately 1" onto the bolt threads. Assemble bolt up through the hole in top edge of blade and hold in place with the 3/8" hex nut removed earlier. Tighten 3/8" hex nut on top edge of blade down against the bottom 3/8" hex nut. Replace plastic cap over end of bolt threads. See figure 24.

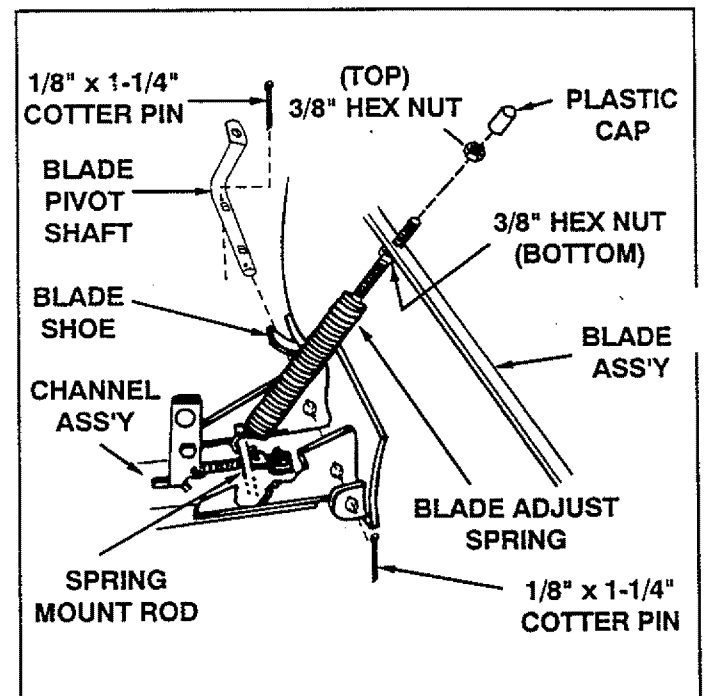


FIGURE 24 (Right Hand Side View)

- Assemble the 1/2" washer onto the channel pivot pin.
- Attach the channel assembly to the tractor by placing the end of the channel assembly up inside the pivot support bracket on the tractor. Align the second hole from the end in the channel assembly with the front hole in the pivot support bracket and insert the channel pivot pin through from the left side. Secure with a hairpin cotter pushed all the way through to the loop end. See figure 25.

NOTE: All hairpin cotters on this snow blade should be pushed through to their loop end.

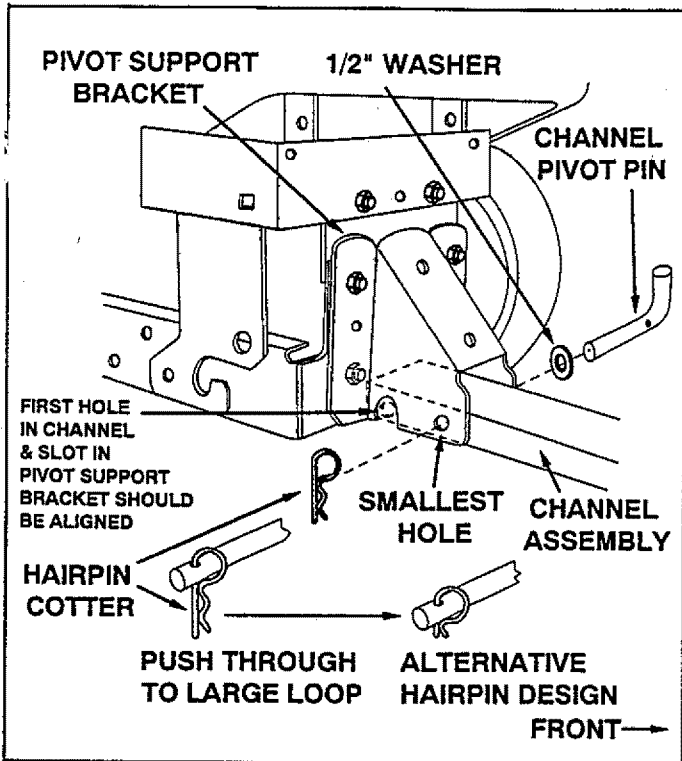


FIGURE 25 (Right Hand Side View)

- To assemble lift handle to blade, assure that holes in end of channel assembly are aligned with clearance slots in sides of pivot support bracket as shown in figure 25. From the left side insert the bracket end of the lift rod through the holes in the channel assembly. Next, align the hole in the lift rod bracket with the lift link (pre-assembled to the pivot support bracket). Secure with a hairpin cotter inserted up through the cross hole in the lift link pin all the way to the loop end of the hair pin cotter. See figure 26.
- Using the furnished grease packet, apply a light coating of grease to the straight upper portion of the lift rod. Slide lift handle tube onto the lift rod. See figure 26.

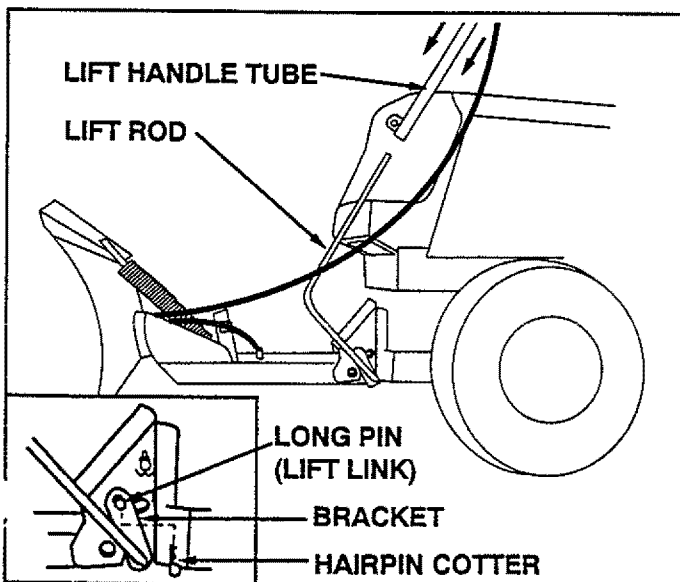


FIGURE 26 (Left Hand Side View)

- To attach loose end of cable to handle assembly, pass cable around outside and underneath handle assembly as shown in figure 26. Mount one 5/16 inch jam nut approximately 3/4 inch onto threaded end of control cable. Insert threaded end of cable up through cable mount ear on handle assembly and secure with a second 5/16 inch jam nut. **Tighten.** See figure 27.

NOTE: Some further adjustment may be required after blade assembly is completed.

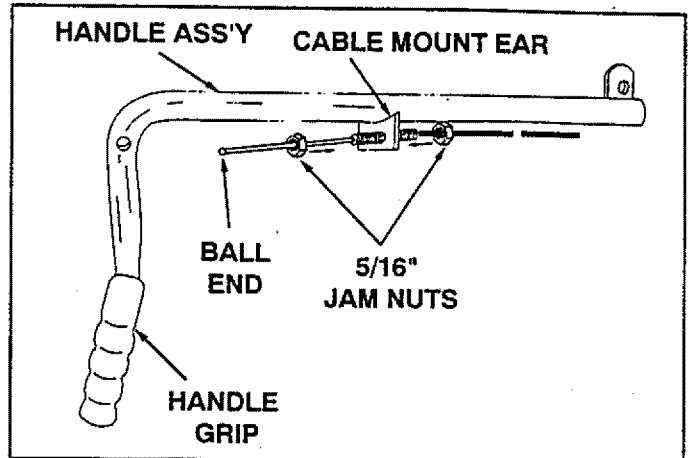


FIGURE 27 (Right Hand Side View)

- Assemble grip assembly to handle assembly using one 5/16 inch x 1-1/2 inch hex bolt and one 5/16 inch hex lock nut. **Do not overtighten** lock nut; grip assembly must pivot freely. See figure 28.
- Assemble ball end of cable to a cable end fitting as was done previously to other end of cable. Secure cable end fitting to handle assembly with a 1/4 inch hex lock nut. **Do not overtighten** lock nut; cable fitting must pivot freely. See figure 28.

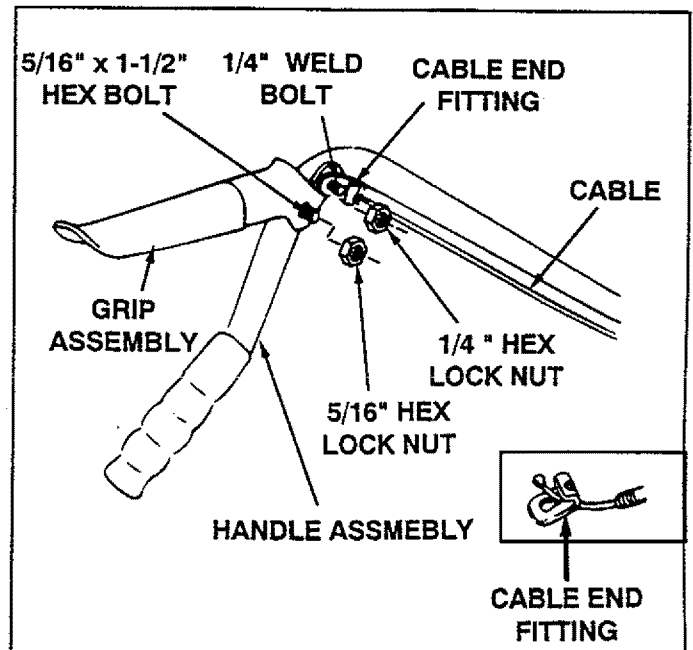


FIGURE 28 (Right Hand Side View)

- Attach the long end of the blade pivot rod down through the blade pivot shaft. Attach the short end of the pivot rod to the lift handle tube. Secure both ends with a hairpin cotter pushed through to loop end. See figure 29.
- Raise the blade to the transport position by pulling back and down on the lift handle tube. See figure 30. (This will require extra effort since the extension spring is not yet attached.)
- Attach the long end of the extension spring to the upper hole in the pivot support bracket and the short end to the center slot in the channel as shown in figure 29.
- Use the two plastic ties to hold the cable securely to the outside of the handle tube and away from the tractor to avoid direct heat from the tractor muffler. See figure 29.

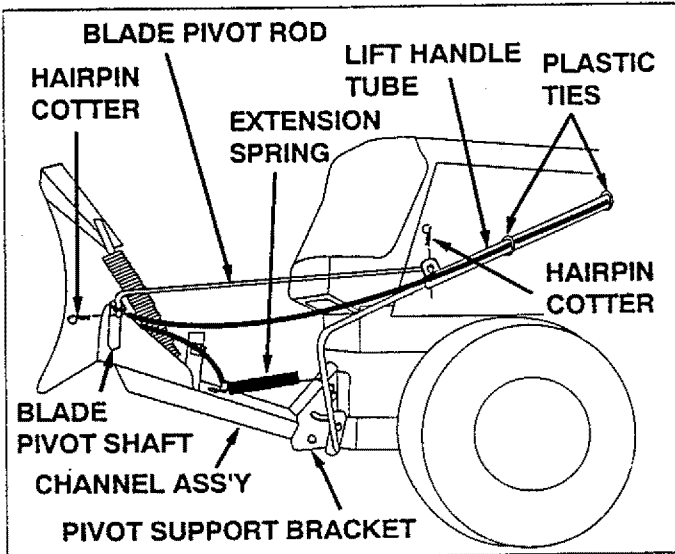


FIGURE 29 (Left Hand Side View)

OPERATION INSTRUCTIONS AND ADJUSTMENTS

- **Snow Blade Handle Tube (Lift and Lower)**
Located on the left hand side of the tractor. To raise blade, pull back and down on handle tube. To lower blade, pull back and lift up on handle tube. See figure 30.

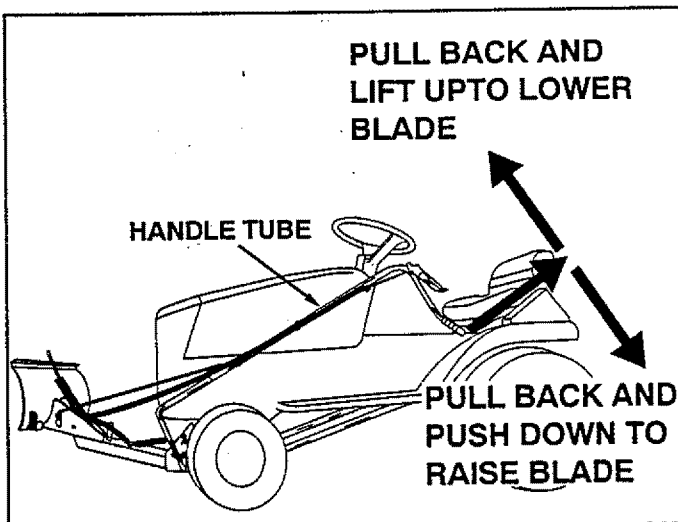


FIGURE 30

- **Control Grip (Blade Pivot Lock)**
Located on the top of the snow blade control tube. Raise blade to transport position. To unlock blade push on control grip and hold it down against handle tube. To pivot blade to the right push handle tube forward. To pivot blade to the left pull back on handle tube. Release the control grip to lock blade in desired position. See figure 31.

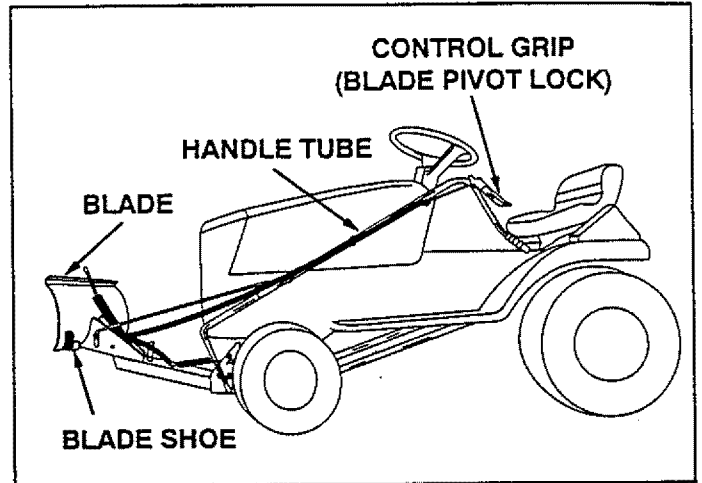


FIGURE 31

ADJUSTMENTS

- **Blade Shoe Adjustment**
Blade shoes on ends of blade, (see figure 31), may be raised for close work on smooth surfaces or lowered to raise the blade to work on rough or uneven areas. Make sure both shoes are set evenly and nuts are tightened securely.
- **Blade Pivot Lock Adjustment**
If blade will not unlock and pivot, the angle lock bars are not disengaging from the slots in pivot plate assembly. To correct, adjust the 5/16 hex jam nuts on threaded end of control cable out towards end of cable, drawing the cable back through the cable mount ear. See figure 32.

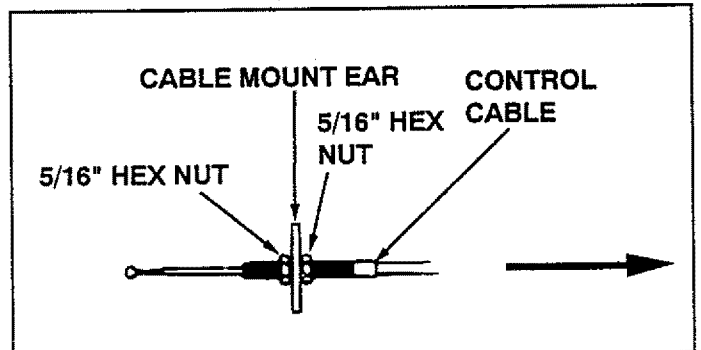


FIGURE 32

- **Adjust Blade Spring**
The tension of the blade adjust spring is adjustable to permit blade to tilt forward to by-pass solid obstructions. To change spring tension (standing in front of blade assembly), adjust the nuts at upper end of the spring bolt, turning counter clockwise to relieve tension and clockwise to increase tension. See figure 24 on page 12.

- **Lubrication Points**

Lubricate the points shown in figure 33 for easier operation. Use the grease packet furnished with the snow blade for lubrication of the lift handle rod and the lift handle tube assemblies.

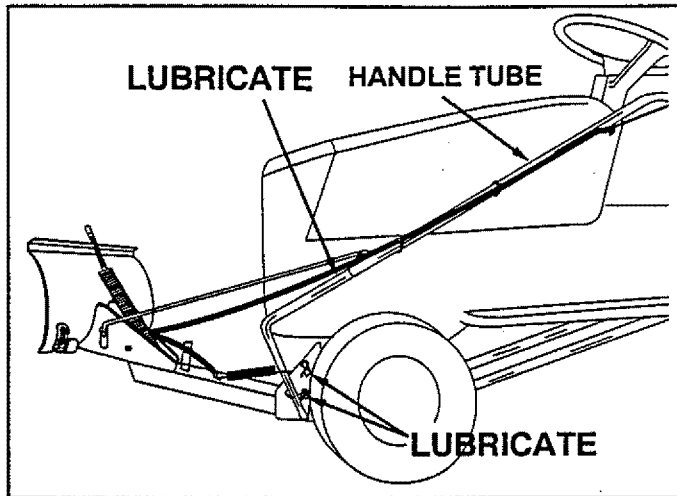




FIGURE 33



KNOW THE TERRAIN. AVOID EXCEPTIONALLY SHARP SLOPES OR DROP OFFS WHICH MAY BE HIDDEN BY THE SNOW. NEVER RUN THE SNOW BLADE INTO HEAVY MATERIAL AT HIGH SPEED.

NOTE: Wheel weights and tire chains must be used with your snow blade for traction. These accessories are available at your nearest Sears retail store. If the model of your tractor begins with #536 (model number found in your owners manual or on the model plate decal), then you will need to use the 6" bolts included in your wheel weight kit and discard the longer 8" bolts. Use as instructed to mount wheel weights to the rear wheels of your tractor.


OPERATION



INSPECT THE AREA TO BE WORKED CAREFULLY BEFORE OPERATING THE SNOW BLADE. AVOID PIPES, ROOTS, CURBS OR OTHER HEAVY OBSTRUCTIONS.

- Prepare lawn tractor engine for cold weather using instructions furnished with the lawn tractor.
- Always begin with transmission in first (low) gear and gradually increase speed as required.
- DO NOT repeatedly push snow in the same direction causing excessive build up with each successive pass.
- If blade is stored in heated area, allow lawn tractor and blade to adjust to outdoor temperature before operating to reduce icing on the metal surfaces.

NOTE: When working under the hood of a **SERIES 536** tractor while snow blade is attached, the hood may not stay up on its own; therefore, you may need to lay something (such as a piece of wood) over the engine housing to keep the hood propped up.



ALWAYS LOWER BLADE TO GROUND BEFORE LEAVING TRACTOR.

TO REMOVE SNOW BLADE FROM TRACTOR

- Lower blade to ground with blade in the center (straight) position.
- Refer to figure 29.
 - A. Remove 3/32" hairpin cotter from lower end of blade pivot rod.
 - B. Remove 3/32" hairpin cotter from welded link on lift rod and remove control tube assembly.
 - C. Remove 3/32" hairpin cotter from channel pivot pin and remove channel pivot pin.

CUSTOMER RESPONSIBILITIES

During the operating season, check all bolts, nuts and hairpin cotters to be sure they are secure. For improved snow removal performance, coat the blade with automotive type paste wax.

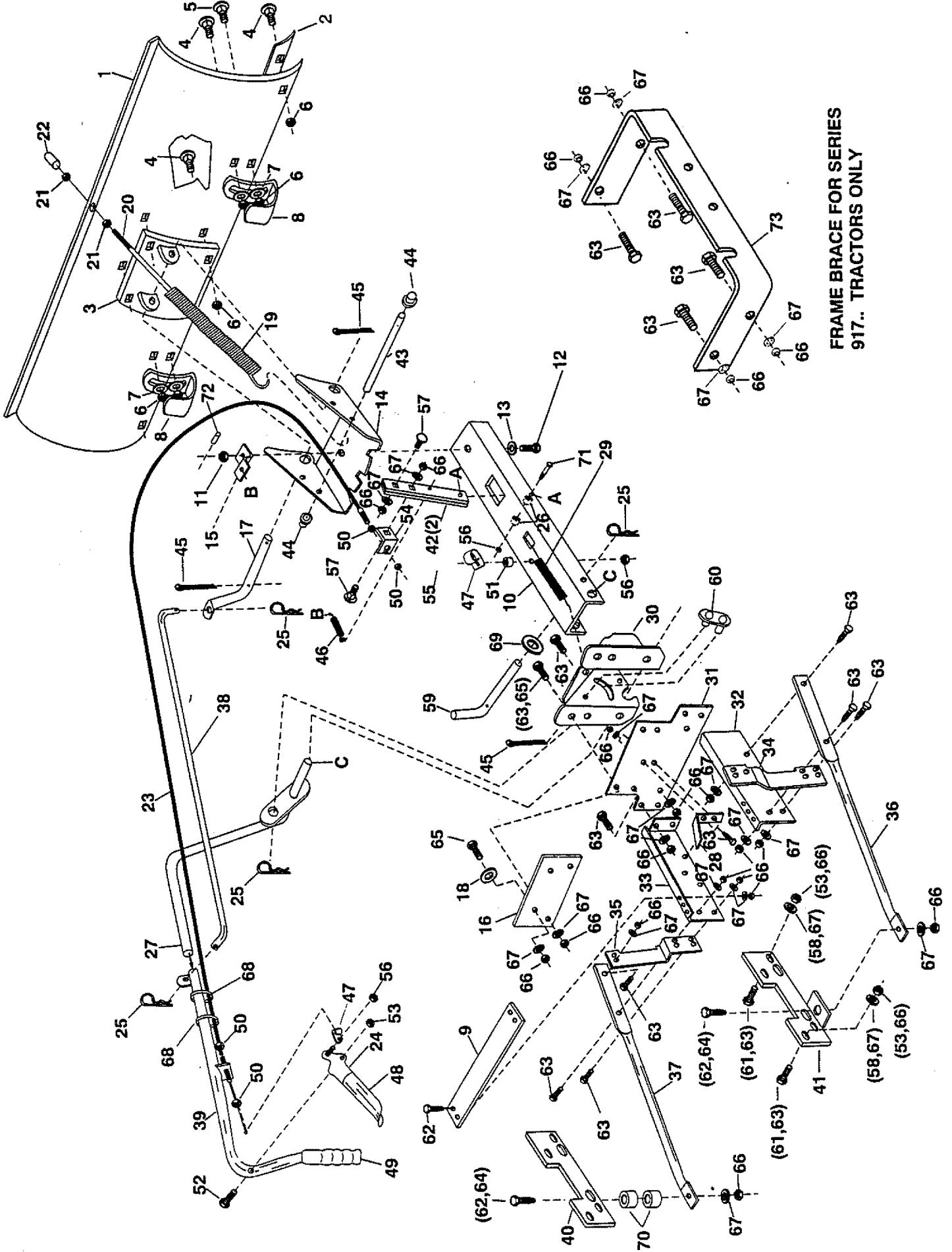
STORAGE

When the snow blade is not being used, remove all dirt and rust and touch up with paint.

Apply a light coat of grease or rust preventive to the blade and oil all pivot points.

Store in an area where it is protected from weather.

REPAIR PARTS FOR MODEL 486.244280 - 48" SNOW BLADE



FRAME BRACE FOR SERIES
917.. TRACTORS ONLY

REPAIR PARTS LIST FOR MODEL 486.244280 - 48" SNOW BLADE

REF. NO.	PART NO.	QTY.	DESCRIPTION	REF. NO.	PART NO.	QTY.	DESCRIPTION
1	23955	1	Blade 48"	38	46049	1	Rod, Blade Pivot
2	23956	1	Wear Plate 48"	39	62972	1	Ass'y Lift Handle Tube
3	62980	1	Reinforcement Plate Ass'y	40	23967	1	Bracket, Brace Mount (rear) (LH)
4	43080	10	Bolt, Carriage 5/16-18 x 3/4"	41	23968	1	Bracket, Brace Mount (rear) (RH)
5	43079	2	Bolt, Carriage 5/16-18 x 1"	42	23151	2	Angle Lock Bar
6	43064	12	Nut, Hex Lock 5/16-18	43	23856	1	Spring Mount Rod
7	43081	4	Washer, 5/16"	44	44917	2	Palnut, 3/8"
8	23070	2	Skid Shoe	45	43010	3	Cotter Pin 1/8" x 1-1/4"
9	23970	1	Brace, Cross	46	43348	1	Angle Lock Spring
10	23957	1	Push Channel	47	746-0260	2	Cable End Fitting
11	43262	1	Nut, Hex Lock 1/2-13	48	731-0869	1	Grip, Plastic
12	23131	1	Bolt, Special Pivot	49	7071	1	Handle, Grip 3/4"
13	43352	1	Washer, Flat 7/16"	50	712-0256	4	Hex Jam Nut 5/16 Thread
14	23958	1	Plate, Pivot 7 Ga.	51	23658	1	Spacer
15	23130	1	Bracket, Spring Mt.	52	43085	1	Hex Bolt, 5/16-18 x 1-1/2"
16	23966	1	Bracket, Pivot Plate	53	43064	5	Hex Lock Nut 5/16-18 Thread
17	46066	1	Shaft, Blade Pivot	54	05762	1	Cable Mount Bracket
18	43070	2	Washer, 3/8" STD.	55	1509-90	1	Hex Bolt 1/4-20 x 1-1/4"
19	9466R	1	Spring, Blade Adjust	56	43013	3	Hex Lock Nut 1/4-20 Thread
20	44071	1	Bolt, Hex 3/8-16 x 3-1/2"	57	710-0305	2	Carriage Bolt 3/8-16 x 1-1/4"
21	43015	2	Nut, Hex 3/8-16	58	43086	4	Lock Washer 5/16"
22	44074	1	Plastic Cap	59	46065	1	Channel Pivot Pin
23	746-0366	1	Control Cable Ass'y	60	63034	1	Lift Link Ass'y
24	62561	1	Release Grip Ass'y	61	43182	4	Bolt, Hex 5/16-18 x 3/4"
25	43055	4	Pin, Hairpin Small 3/32"	62	43407	6	Bolt, Hex 3/8-16 x 3/4"
26	46053	2	Spacer, .28 ID x 1"	63	43001	18	Hex Bolt 3/8-16 x 1"
27	63033	1	Lift Handle Rod Ass'y	64	43054	2	Hex Bolt 3/8-16 x 2"
28	23974	1	Axle Pivot Bracket	65	43087	4	Hex Bolt 3/8-16 x 1-1/4"
29	732-0153	1	Extension Spring	66	43082	30	Hex Lock Nut 3/8-16 Thread
30	24023	1	Pivot Support Bracket	67	43003	30	Lock Washer 3/8"
31	23960	1	Plate, Pivot Support	68	726-0178	2	Plastic Tie
32	23962	1	Frame Pivot Support (RH)	69	R19171616	1	Washer
33	23961	1	Frame Pivot Support (LH)	70	45133	4	Spacer, 1/2" ID x 1" OD x .60" Lg.
34	23964	1	Bracket, Frame (RH)	71	46071	1	Bolt, Hex 1/4-20 x 3-1/4" Lg. Gr 5
35	23963	1	Bracket, Frame (LH)	72	43349	1	1/4" x 1" Spring Pin
36	46048	1	Brace, Tube (RH)	73	24021	1	Bracket, Frame Reinforcement
37	46047	1	Brace Tube (LH)	74	46227	1	Owners Manual