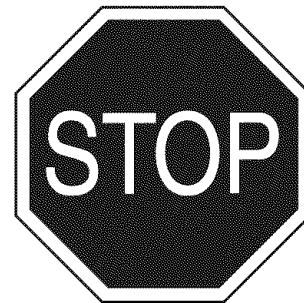


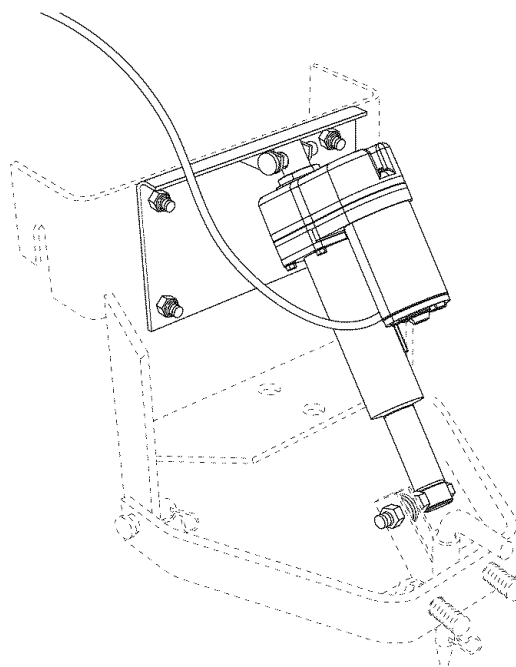
Owner's Manual



ELECTRIC ASSIST KIT (FOR 486.24535 SLEEVE HITCH)

DO NOT RETURN TO STORE
For Missing Parts or Assembly
Questions Call 1-866-576-8388

Model No. 486.245451



CAUTION:

Before using this product, read this manual and follow all Safety Rules and Operating Instructions.

- Safety
- Assembly
- Operation
- Maintenance
- Parts

Sears, Roebuck and Co., Hoffman Estates, IL 60179 U.S.A.
www.sears.com/craftsman

PRINTED IN U.S.A.

FORM NO. 40857 (11/09/07)

TABLE OF CONTENTS

SAFETY RULES.....	2	MAINTENANCE	6
FULL SIZE HARDWARE CHART.....	3	REPAIR PARTS ILLUSTRATION.....	7
CARTON CONTENTS.....	4	REPAIR PARTS LIST.....	7
ASSEMBLY.....	4	PARTS ORDERING/SERVICE	Back Page
OPERATION.....	6		

WARRANTY

ONE YEAR FULL WARRANTY

When operated and maintained according to the instructions supplied with it, if this Electric Assist Kit fails due to a defect in material or workmanship within one year from the date of purchase, call 1-800-4-MY-HOME® to arrange for free repair (or replacement if repair proves impossible).

If this product is used for commercial or rental purposes, this warranty applies for only 90 days from the date of purchase.

This warranty gives you specific legal rights, and you may also have other rights which vary from state to state.

Sears, Roebuck and Co., D817WA, Hoffman Estates, IL 60179



SAFETY



Any power equipment can cause injury if operated improperly or if the user does not understand how to operate the equipment. Exercise caution at all times, when using power equipment.

- Read this owners manual and your vehicle and sleeve hitch owners manuals before using this electric assist kit with the sleeve hitch.
- Do not allow children to operate vehicle or sleeve hitch.
- Do not allow adults to operate the vehicle or sleeve hitch without proper instructions.
- Keep all nuts and bolts tight and be sure the equipment is in safe operating condition.



Look for this symbol to point out important safety precautions. It means--**Attention!! Become alert!! Your safety is involved.**

The model number and serial numbers will be found on a decal attached to the frame.

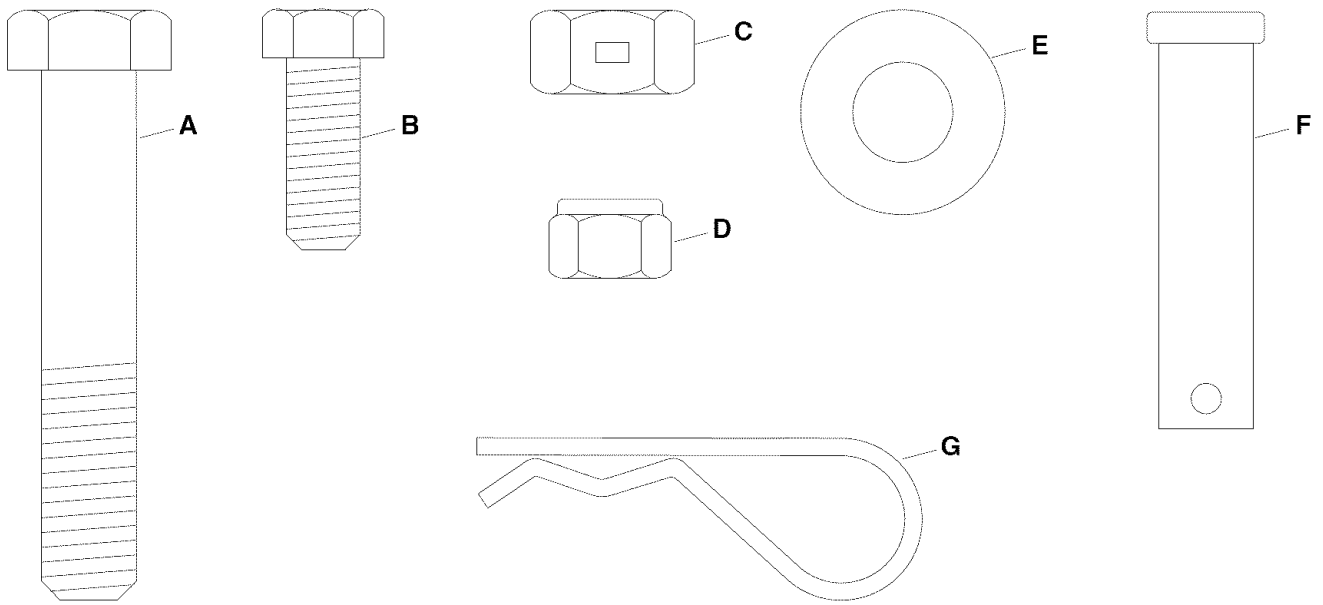
You should record both the serial number and the date of purchase and keep in a safe place for future reference.

MODEL NUMBER: 486.245451

SERIAL NUMBER: _____

DATE OF PURCHASE: _____

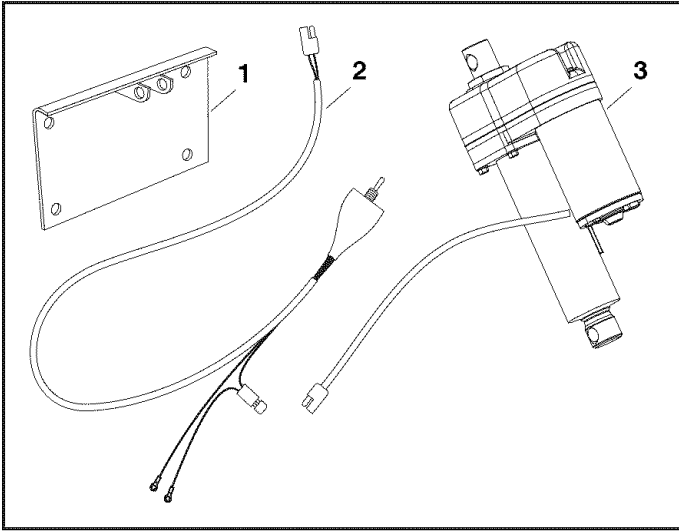
HARDWARE PACKAGE CONTENTS



KEY	QTY.	DESCRIPTION	KEY	QTY.	DESCRIPTION
A	1	Hex Bolt, 1/2" x 2-3/4"	E	5	Flat Washer, 1/2"
B	4	Hex Bolt, 3/8" x 1"	F	1	Clevis Pin, 1/2" x 2"
C	2	Hex Lock Nut, 1/2"	G	1	Hair Cotter Pin, 3/32"
D	4	Hex Nylock Nut, 3/8"			

ASSEMBLY

CARTON CONTENTS



1. Mount Bracket Assembly
2. Switch with Wiring
3. Linear Actuator

TOOLS REQUIRED FOR ASSEMBLY

- (2) 9/16" Wrenches or Adjustable Wrenches
- (2) 3/4" Wrenches or Adjustable Wrenches

PREPARING THE SLEEVE HITCH

- Remove the bolt and nut that attach the lift link to the sleeve hitch frame. Remove the handle and the pivot brackets from the sleeve hitch frame. See figure 1.

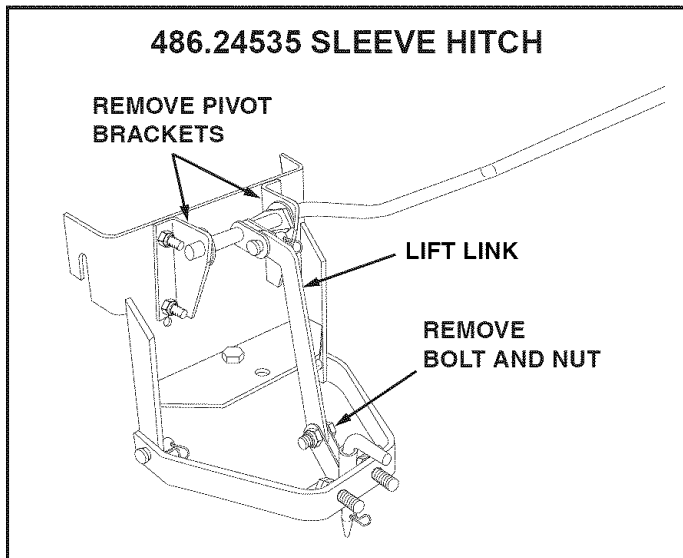


FIGURE 1

ATTACHING THE ELECTRIC ASSIST KIT

- Attach the mount bracket assembly to the sleeve hitch frame using four 3/8" x 1" hex bolts and 3/8" nylock hex nuts. See figure 2.

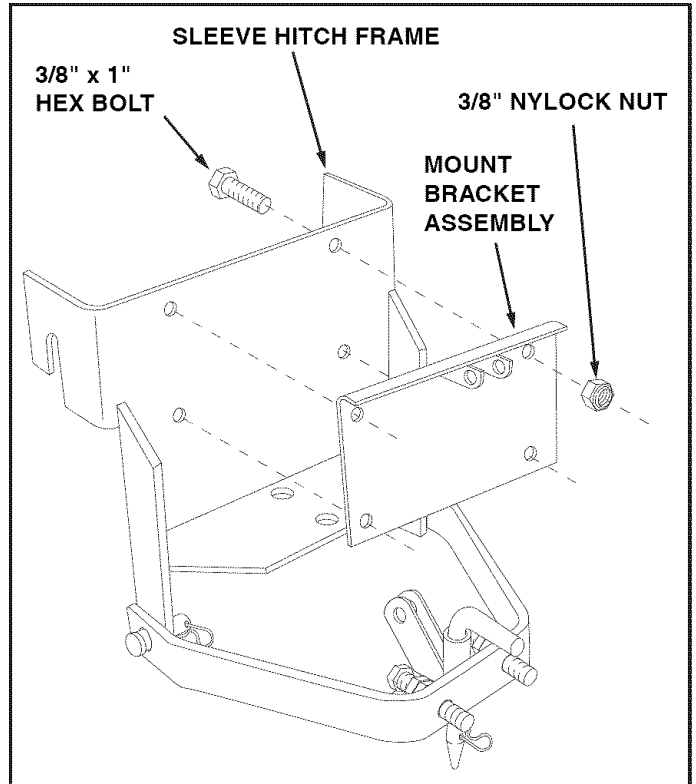


FIGURE 2

- Insert the 1/2" x 2-3/4" hex bolt into the lower shaft of the actuator and then screw a 1/2" hex lock nut as far as possible onto the bolt. See figure 3.
- Place up to five 1/2" flat washers between the anchor brackets on the lift assembly and insert the end of the 1/2" x 2-3/4" hex bolt through the anchor brackets and the washers. Screw a second 1/2" hex lock nut onto the bolt so that it is flush with the end of the bolt. Screw the first nut back against the anchor brackets and tighten both nuts securely. See figure 3.

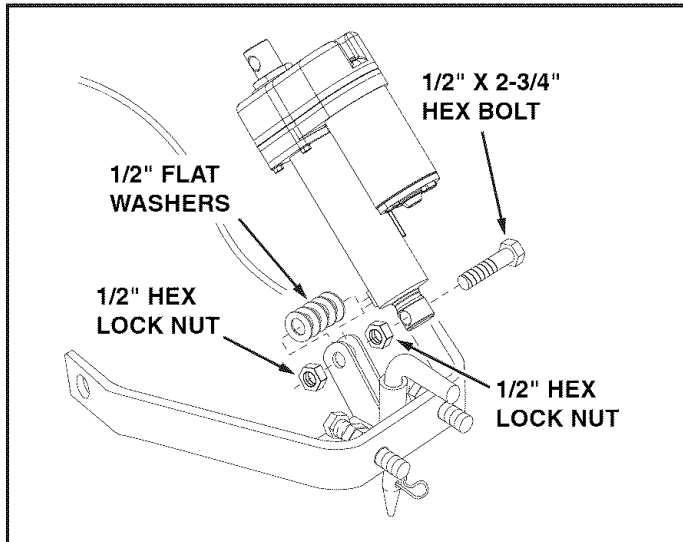


FIGURE 3

- Place the other end of the actuator between the anchor brackets on the mount bracket assembly. Insert the 1/2" x 2" clevis pin through the anchor brackets, securing it with the 3/32" hair cotter pin. See figure 4.

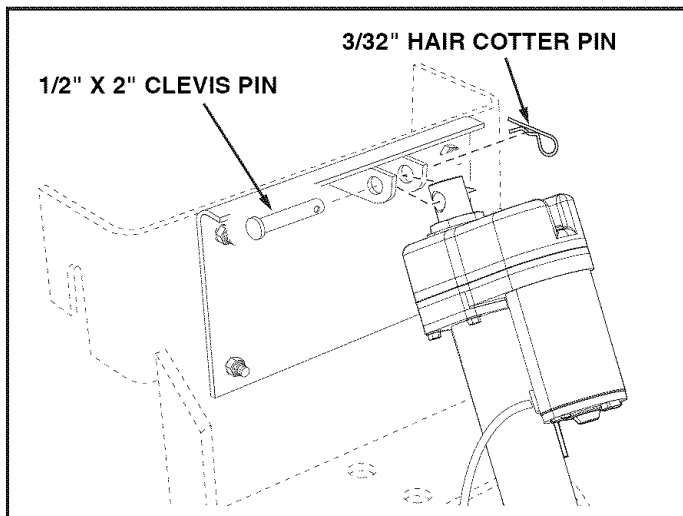


FIGURE 4

IMPORTANT: Connect to a 12 volt power source only.

- If you wish to permanently attach the switch to the tractor dash:
 - a. Drill a 1/2" hole in the lower right hand corner of the tractor's dash as shown in figure 5. A hole larger than 1/2" may cause the nuts on the switch to not hold properly.
 - b. Remove the hex nut from the actuator switch and then screw the round nut to about the mid-point on the threads.
 - c. Insert the switch into the hole you drilled in the tractor's dash and secure it with the hex nut you removed from the switch.
- To connect the switch to the tractor battery, attach the terminal on the red wire (with fuse) to the positive post and the terminal on the black wire to the negative post of the battery.
- Route the flexible conduit to the rear of the tractor avoiding hot engine parts, moving parts and pinch points. Connect the plug on the conduit wires to the plug on the actuator wires.

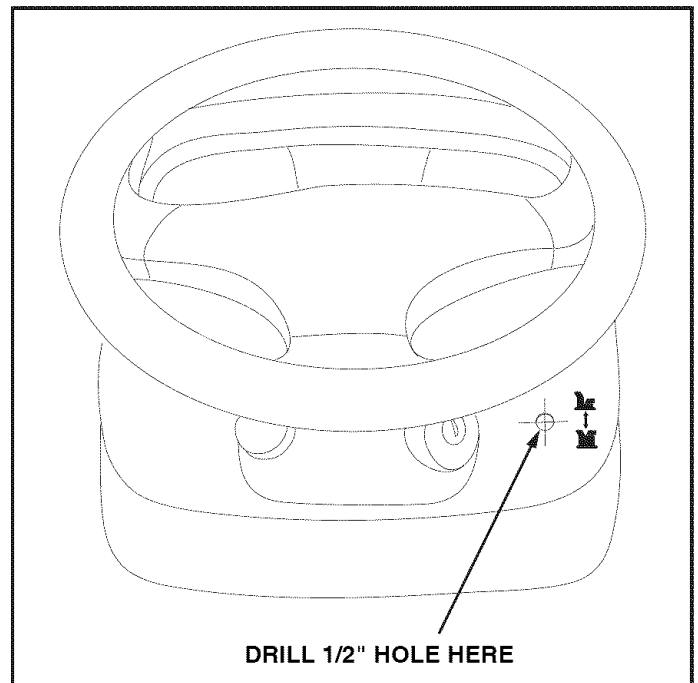


FIGURE 5

OPERATION

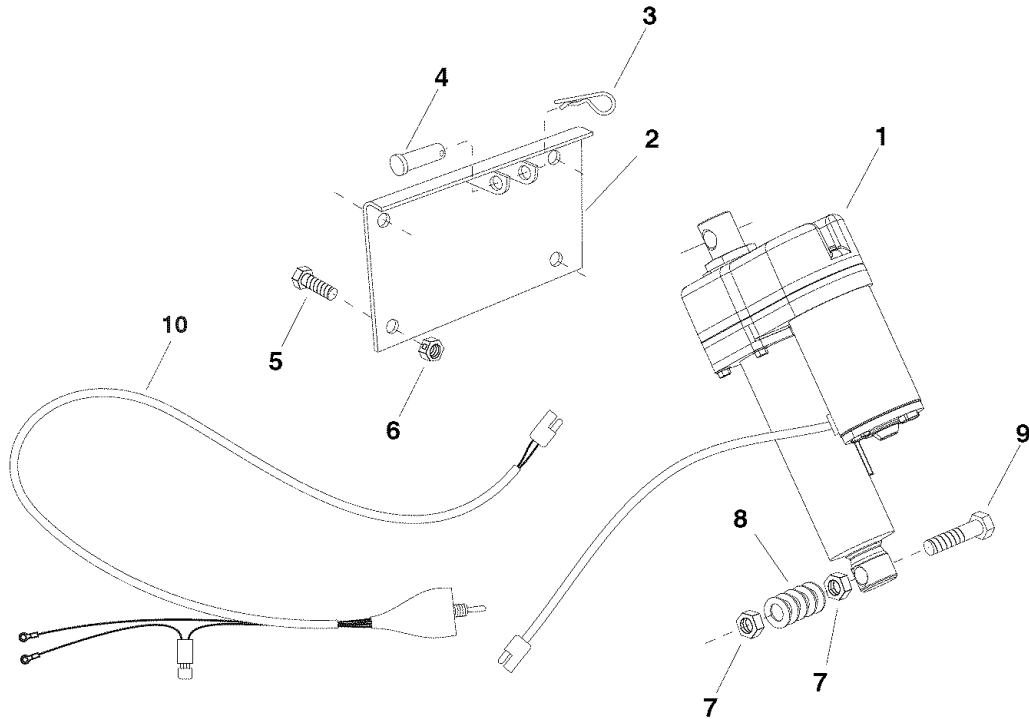
- Keep clear of the linear actuator, the sleeve hitch and the attached implement when raising and lowering.
- The linear actuator is equipped with a safety clutch. When the actuator reaches the end of its stroke the clutch will slip and make a loud clicking sound.

MAINTENANCE

- Clean off after each use.
- Store in a dry location.

PARTS

PARTS FOR MODEL 486.245451 ELECTRIC ASSIST KIT



REF	PART NO	QTY		REF	PART NO	QTY	
1	40571	1	Linear Actuator	7	43262	2	Hex Lock Nut, 1/2-13
2	64941	1	Mount Bracket Assembly	8	1540-59	5	Flat Washer
3	43343	1	Hair Cotter Pin, 3/32" x 2-5/16"	9	43510	1	Hex Bolt, 1/2-13 x 2-3/4"
4	HA23505	1	Clevis Pin, 1/2" x 2"	10	49309	1	Switch with Fuse
5	43001	4	Hex Bolt, 3/8-16 x 1"		40857	1	Owners Manual
6	HA21362	4	Nylock Nut, 3/8-16				

Get it fixed, at your home or ours!

Your Home

For repair – **in your home** – of **all** major brand appliances, lawn and garden equipment, or heating and cooling systems, **no matter who made it, no matter who sold it!**

For the replacement parts, accessories and owner's manuals that you need to do-it-yourself.

For Sears professional installation of home appliances and items like garage door openers and water heaters.

1-800-4-MY-HOME® (1-800-469-4663)

Call anytime, day or night (U.S.A. and Canada)

www.sears.com www.sears.ca

For expert home solutions advice: www.managemyhome.com

Our Home

For repair of carry-in items like vacuums, lawn equipment, and electronics, call or go on-line for the location of your nearest

Sears Parts & Repair Service Center

1-800-488-1222 (U.S.A.) 1-800-469-4663 (Canada)

Call anytime, day or night

www.sears.com www.sears.ca

To purchase a protection agreement on a product serviced by Sears:

1-800-827-6655 (U.S.A.)

1-800-361-6665 (Canada)

Para pedir servicio de reparación a domicilio, y para ordenar piezas:

1-888-SU-HOGAR®

(1-888-784-6427)

Au Canada pour service en français:

1-800-LE-FOYER^{MC}

(1-800-533-6937)

www.sears.ca

