

Operator's Manual

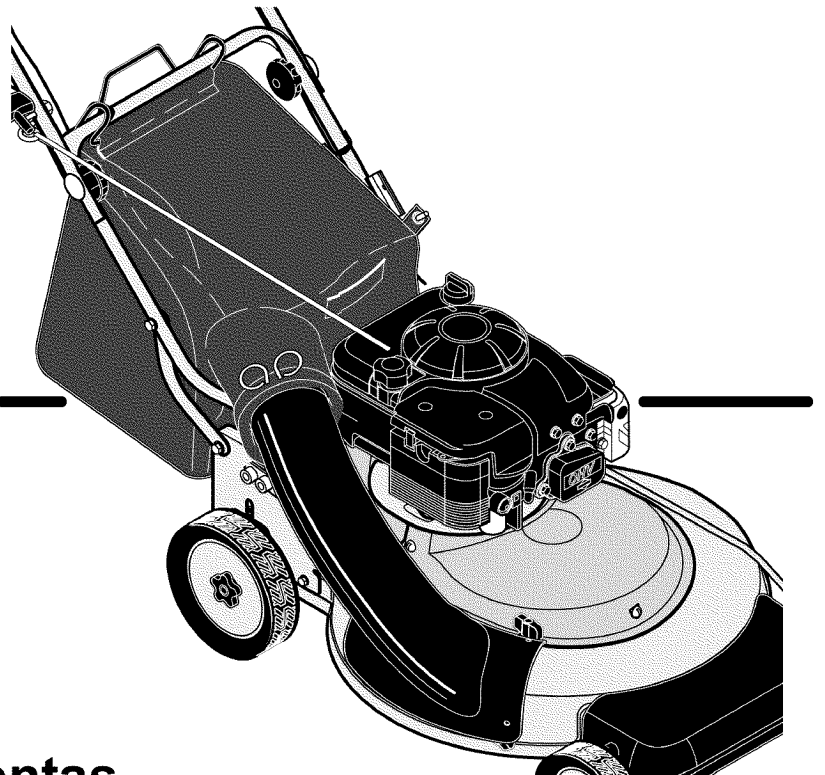
Grass Bagger

Quick Mount

Toolless Removal

Model 536.330600

CAUTION: Before using this product, read this manual and follow all of its Safety Rules and Operating Instructions.



Manual del usuario

Recolector de hierba

Instalación rápida

Desmontaje sin herramientas

Modelo 536.330600

PRECAUCIÓN: Antes de usar este producto, lea este manual y siga todas las reglas de seguridad e instrucciones de operación.

Sears, Roebuck and Co., Hoffman Estates, IL. 60179 U.S.A.

TABLE OF CONTENTS

WARRANTY	2	ASSEMBLY	5
GRASS BAGGER FEATURES	2	OPERATION	8
CUSTOMER RESPONSIBILITIES	2	MAINTENANCE	8
OWNER'S INFORMATION	3	SLOPE GUIDE	9
CUSTOMER RESPONSIBILITIES	3	ESPAÑOL	11

LIMITED ONE YEAR WARRANTY ON ATTACHMENTS

For one (1) year from the date of purchase, Sears will repair any defect in material or workmanship in this Attachment at no charge.

This warranty does not cover:

- Expendable items which become worn during normal use, such as blades and blade adapters.
- Repairs necessary because of operator abuse, negligence, improper storage or accident or the failure to maintain the equipment according to the instructions contained in the owner's manual.
- Equipment used for commercial or rental purposes.

WARRANTY SERVICE IS AVAILABLE BY RETURNING THE ATTACHMENT TO THE NEAREST SEARS SERVICE CENTER IN THE UNITED STATES.

This warranty gives you specific legal rights, and you may also have other rights which may vary from state to state.

Sears, Roebuck and Co., D/817WA, Hoffman Estates, Illinois 60179.

GRASS BAGGER FEATURES

Quick Mount: Can easily be installed and removed.

Toolless Removal: Tools are not required to mount the grass bag.

Congratulations on your purchase of a Craftsman Grass Bagger. It has been designed, engineered and manufactured to give you the best possible dependability and performance.

If you experience any problems you cannot easily remedy, please see your nearest Sears Service Department. We have competent, well trained technicians and the proper tools to service or repair this unit.

Please read and keep this manual. The instructions will enable you to assemble and maintain your unit properly. Always observe the "Safety Rules".

GRASS BAGGER

Record in the space below the serial number and the date of purchase of this unit.

The model number and serial number are found on a decal attached to the unit.

Model Number: 536.330600

Serial Number: _____

Date of Purchase: _____

Keep these numbers for future reference.

CUSTOMER RESPONSIBILITIES

- Carefully read and follow the rules for safe operation. Inspect the unit.
- Follow all the assembly instructions. Carefully adjust the unit.
- Know how to operate all standard and accessory equipment on the unit. Make sure the operator can correctly operate the unit.
- Operate the unit only with guards, shields and other safety items in place and working correctly.
- Complete all maintenance on the unit. Service the unit only with authorized or approved replacement parts.

OWNER'S INFORMATION

CUSTOMER RESPONSIBILITIES

It is the owner's responsibility to follow the instructions below.

1. Carefully read and follow the rules for safe operation.
2. Follow all the assembly instructions.
3. Inspect the unit.
4. Make sure that the operator of the unit knows how to correctly use all standard and accessory equipment.
5. Operate the unit only with guards, shields, and other safety items in place and working correctly.
6. Correctly adjust the unit.
7. Service the unit only with authorized or approved replacement parts.
8. Complete all maintenance on the unit.

Environmental Awareness

- Do not fill the engine's fuel tank completely full.
- Drain fuel for off-season storage.
- Use only unleaded gasoline.
- Service the air cleaner regularly.
- Change oil regularly. Use 10W-30 oil in summer.
- Tune-up the engine regularly.
- Keep equipment in efficient operating condition.
- Dispose of used engine oil properly.

SAFE OPERATION PRACTICES FOR WALK-BEHIND MOWERS



WARNING: This cutting machine is capable of amputating hands and feet and throwing objects. Failure to observe the following safety instructions could result in serious injury or death.

This cutting machine is capable of amputating hands and feet and throwing objects. Failure to observe the following safety instructions could result in serious injury or death.

I. General Operation

1. Read, understand, and follow all instructions on the machine and in the manual(s). Be thoroughly familiar with the controls and the proper use of the mower before starting.
2. Do not put hands or feet near or under rotating parts. Keep clear of the discharge opening at all times.
3. Only allow responsible individuals, who are familiar with the instructions, to operate the mower.
4. Thoroughly inspect the mower and area where the equipment is to be used. Clear the area of objects such as rocks, toys, wire, bones, sticks etc., which could be picked up and thrown by the blade.
5. Be sure the area is clear of other people before mowing. Stop mower if anyone enters the area.
6. Do not operate the mower when barefoot or wearing open sandals. Always wear substantial foot wear.
7. Do not pull mower backwards unless absolutely necessary. Look down and behind before and while moving backwards.
8. Do not operate the mower without proper guards, plates, grass catcher or other safety protective devices in place.
9. See manufacturer's instructions for proper operation and installation of accessories. Only use accessories approved by the manufacturer.
10. Stop the blade(s) when crossing gravel drives, walks, or roads.
11. Stop the engine (motor) whenever you leave the equipment, before cleaning the mower or unclogging the chute.
12. Shut the engine (motor) off and wait until the blade comes to complete stop before removing grass catcher.

13. Mow only in daylight or good artificial light.
14. Do not operate the mower while under the influence of alcohol, drugs or other medication which can cause drowsiness or affect your ability to operate this machine safely.
15. Never operate mower in wet grass. Always be sure of your footing; keep a firm hold on the handle and walk; never run.
16. Disengage the self-propelled mechanism or drive clutch on mowers so equipped before starting the engine (motor).
17. If the equipment should start to vibrate abnormally, stop the engine (motor) and check immediately for the cause. Vibration is generally a warning of trouble such as a blade that is damaged, a loose blade, or the engine mounting bolts are loose.
18. Always wear safety goggles or safety glasses with side shields when operating mower to protect your eyes from foreign objects which can be thrown from the unit.
19. Plan your mowing pattern to avoid discharge of material toward roads, sidewalks, bystanders and the like.
20. After striking a foreign object, stop the engine. Remove the wire from the spark plug. Inspect the blade and mower for damage. If damaged, repair before starting and operating the mower.
21. Keep any washout ports and other mower housing service openings closed when mowing.

II. Slope Operation

Slopes are a major factor related to slip and fall accidents which can result in severe injury. All slopes require extra caution. If you feel uneasy on a slope, do not mow it.

DO:

Mow across the face of slopes; never up and down. Do not mow excessively steep slopes (maximum 15 degrees) or areas where the ground is very rough. See the "Guide" in the back of this manual to check a slope. Exercise extreme caution when changing direction on slopes.

Remove objects such as rocks, tree limbs, etc.

OWNER'S INFORMATION

Watch for holes, ruts, or bumps. Tall grass can hide obstacles.

DO NOT:

Do not mow near drop-offs, ditches, or embankments. The operator could lose footing or balance.

Do not mow excessively steep slopes.

Do not mow on wet grass. Reduced footing could cause slipping.

III. Children

Tragic accidents can occur if the operator is not alert to the presence of children. Children are often attracted to the mower and the mowing activity. *Never* assume that children will remain where you last saw them.

1. Keep children out of the mowing area and under the watchful care of a responsible adult.
2. Be alert and turn mower off if children enter the area.
3. Before and while moving backwards, look behind and down for small children.
4. Never allow children to operate the mower.
5. Use extra care when approaching blind corners, shrubs, trees, or other objects that may obscure vision.

IV. Service

- *1. Use extra care in handling gasoline and other fuels. They are flammable and vapors are explosive.
 - a. Use only an approved container.
 - b. Never remove gas cap or add fuel with the engine running. Allow engine to cool before refueling. Do not smoke.
 - c. Never refuel the machine indoors.
 - d. Never store the machine or fuel container inside where there is an open flame, such as a water heater.
- *2. Never run an engine indoors or inside a closed area.
3. Never make adjustments or repairs to items such as the height adjusters or grass catcher with the engine (motor) run-

ning. Disconnect the spark plug wire, and keep the wire away from the plug to prevent accidental starting. Always wear eye protection when you make adjustments or repairs.

4. Keep all nuts and bolts, especially blade attachment bolts, tight and keep equipment in good condition.
5. Never tamper with safety devices. Check their proper operation regularly.
6. To reduce fire hazard, keep mower free of grass, leaves, or other debris build-up. Clean up oil or fuel spillage. Allow mower to cool before storing.
7. Stop and inspect the equipment if you strike an object. Repair, if necessary, before restarting.
8. Never attempt to make wheel height adjustments while the engine (motor) is running.
9. Always disconnect electric mowers (live operated) before cleaning, repairing, or adjusting.
10. Grass catcher components are subject to wear, damage, and deterioration, which could expose moving parts or allow objects to be thrown. Frequently check components and replace with manufacturer's recommended parts, when necessary. For storage, always make sure grass catcher is empty.
11. Mower blades are sharp and can cut. Wrap the blade(s) or wear gloves, and use extra caution when servicing them.
12. Do not change the engine governor setting or over-speed the engine.
13. Frequently check the blade for wear or damages such as cracks and nicks. A blade that is bent or damaged must be immediately replaced with a factory replacement blade. For safety and good cutting performance, replace the blade every two years. Frequently check the blade bolt and the engine mounting bolts. Replace damaged bolts and tighten loose bolts.
14. Use only original equipment or authorized replacement parts.

* Asterisked items do not apply to electric mowers.



Look for this symbol to indicate important safety precautions. This symbol indicates: "Attention! Become Alert! Your Safety Is At Risk."

ASSEMBLY

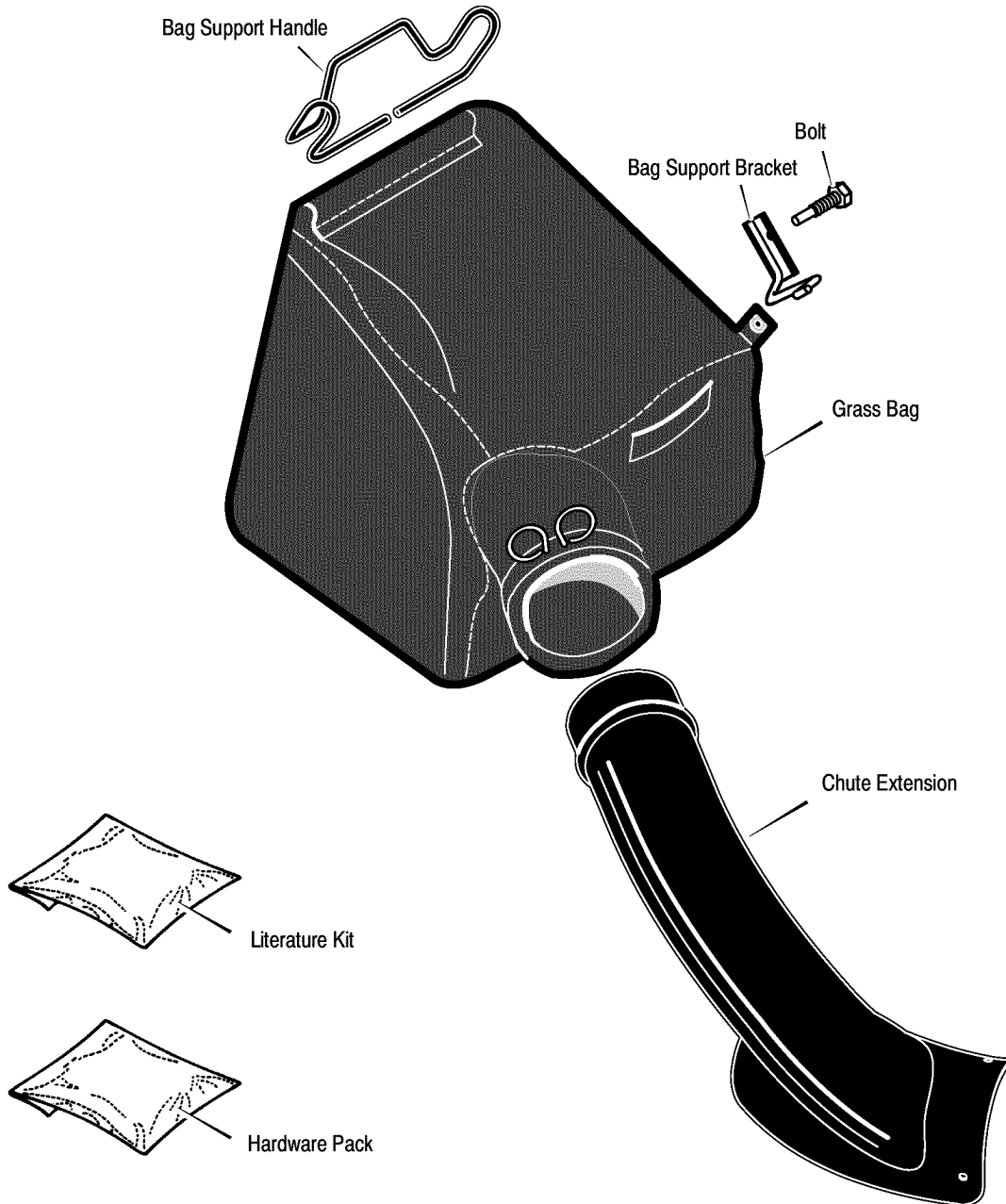
ASSEMBLY

Read and follow the assembly, operation and maintenance instructions. All fasteners are in the parts bag. Do not discard any parts or material until the unit is assembled. Layout and identify all parts and contents.

TOOLS REQUIRED

- Adjustable open end wrenches (2)

LOOSE PARTS – CONTENTS



ASSEMBLY

TOOLS REQUIRED

- Adjustable open end wrenches (2)



WARNING: Before you mount or remove the grass bag, release the blade rotation control to stop the rotation of the blade.

HOW TO ASSEMBLE THE GRASS BAG

1. Remove the bolt that attaches the left **handle support** from the lower handle (see Figure 1).
2. Use the **longer bolt**, supplied with the grass bag, and the **existing nut** to attach the **bag support bracket** to the lower handle (see Figure 1).
3. The mower will have either a side discharge attachment or a mulcher cover mounted on the mower housing. Remove the fasteners that secure either the side discharge attachment or the mulcher cover to the mower housing.
4. Attach the **chute extension** to the **mower housing** with the fasteners that were removed in step 3.
5. Attach the **bag support handle** to the top of the **grass bag** (see Figure 2).

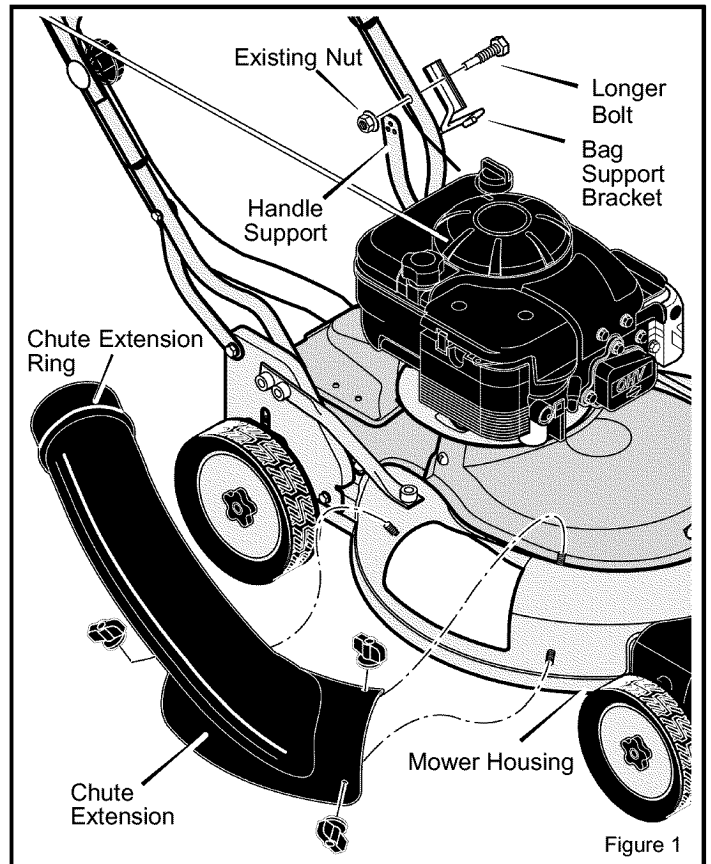


Figure 1

HOW TO MOUNT THE GRASS BAG



WARNING: Before you mount or remove the grass bag, release the blade rotation control to stop the rotation of the blade.

1. Release the blade rotation control. The blade will automatically stop.
2. Squeeze the **clamp** and slide the front of the **grass bag** onto the end of the **chute extension** (see Figure 2).
3. Make sure the **clamp** slides over the **chute extension ring** and release the **clamp** (see chute extension ring in Figure 1).
4. Hook the **tab**, on the side of the **grass bag**, onto the **bag support bracket**.
5. Slip the **bag support handle** over the **lower handle**.

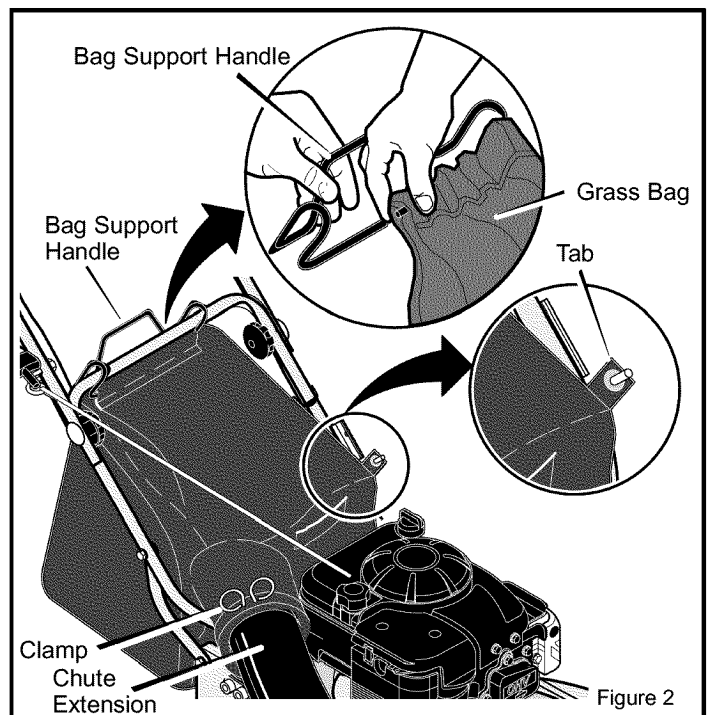
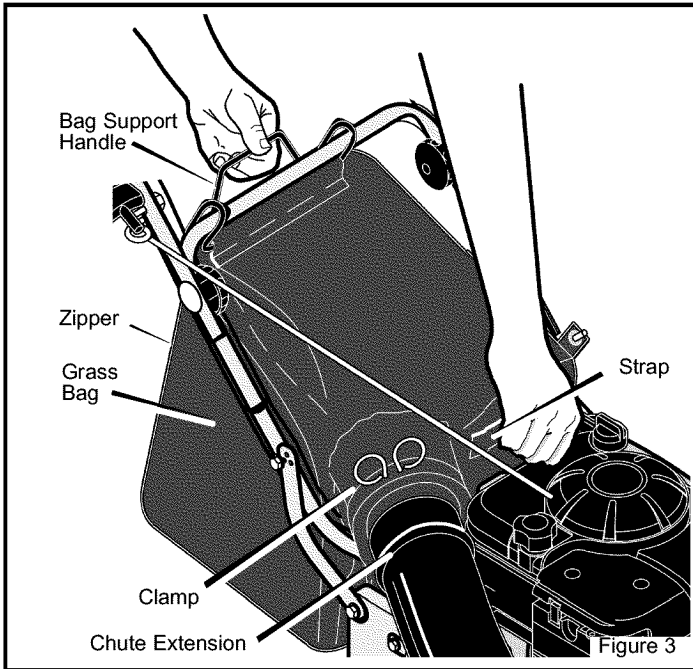


Figure 2

ASSEMBLY



HOW TO REMOVE THE GRASS BAG



WARNING: Before you mount or remove the grass bag, release the blade rotation control to stop the rotation of the blade.

1. To remove the **grass bag** from the **chute extension**, squeeze the **clamp** and slide the **grass bag** off of the **chute extension**.
2. Lift the rear of the **grass bag** with the **bag support handle** and lift the front of the **grass bag** with the **strap** (see Figure 3).

HOW TO EMPTY THE GRASS BAG

1. To empty the grass, open the **zipper** at the rear of the **grass bag**.
2. Lift the front of the **grass bag** with the **strap** and empty the grass.

OPERATION

OPERATION

HOW TO OPERATE THE MOWER



WARNING: Read and follow the instructions in the “Mower Instruction Book”.



WARNING: Do not operate the mower with only the chute extension installed. To operate the mower, the complete grass bag assembly must be in place and the opening at the rear of the grass bag must be closed.

To completely fill the grass bag, operate the engine with the throttle control in the FAST position. The fast engine speed will discharge the grass and completely fill the grass bag.

If the bag will not fill completely, raise the height-of-cut. More air will circulate under the mower housing and increase the flow of grass into the bag.



WARNING: Before you remove any grass or debris from the chute extension, stop the engine.

If the chute extension becomes filled with grass, stop the engine. Remove the grass bag from the chute extension. Remove the chute extension from the mower housing. Remove any grass or debris from the chute extension.

MAINTENANCE

MAINTENANCE

HOW TO MAINTAIN THE GRASS BAG



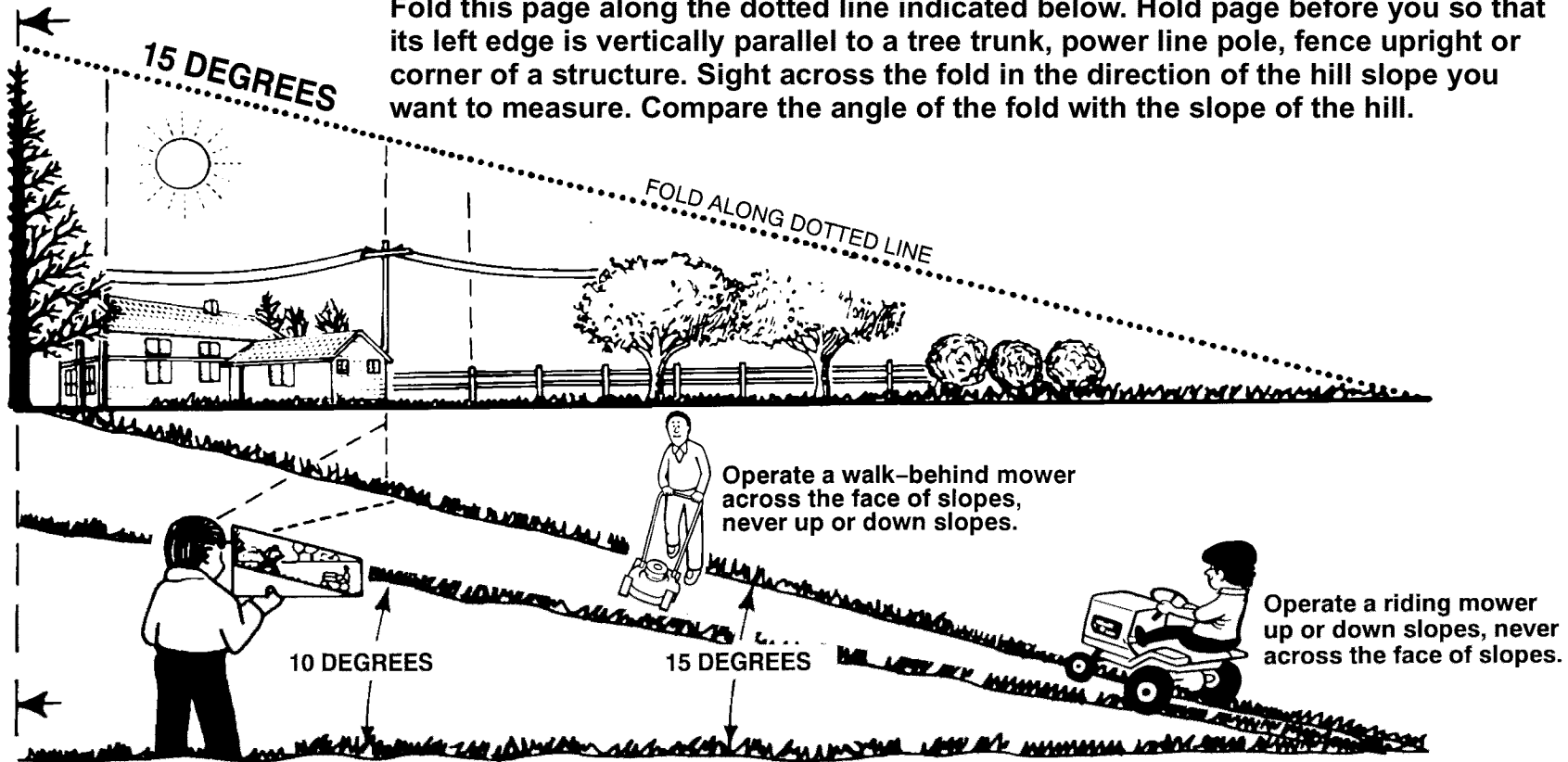
WARNING: Check the condition of the grass bag for wear or deterioration. If worn or damaged, replace the parts only with approved factory replacement parts. For replacement parts, see the parts list in this book.

Always empty the grass bag after each mowing. Grass remaining in the bag will cause deterioration of the bag. If the grass bag is excessively dirty, wash the grass bag with water.

Before each mowing, check the fasteners for the handle bracket and chute extension. Make sure the fasteners are tight.

SLOPE GUIDE

Fold this page along the dotted line indicated below. Hold page before you so that its left edge is vertically parallel to a tree trunk, power line pole, fence upright or corner of a structure. Sight across the fold in the direction of the hill slope you want to measure. Compare the angle of the fold with the slope of the hill.



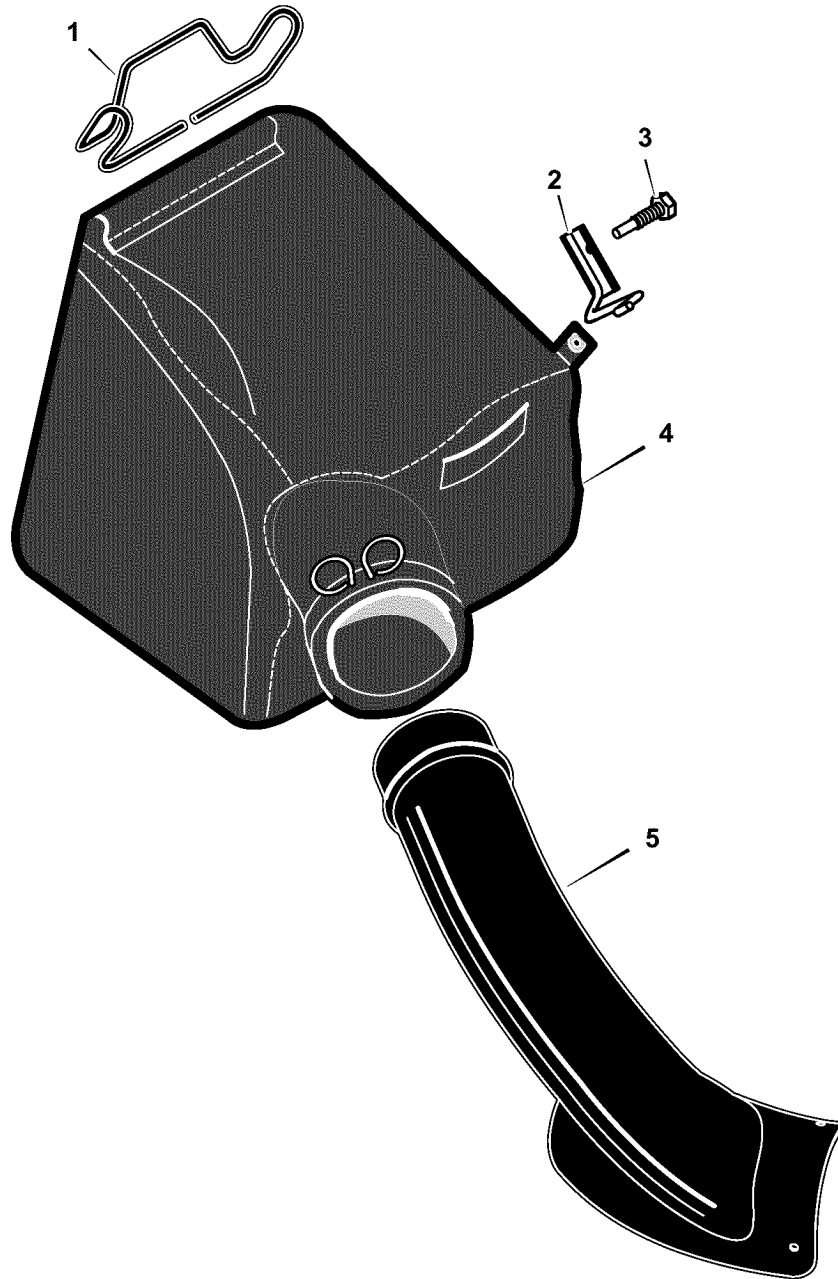
On a riding mower to determine if a slope is safe to mow: (1) disengage the blade(s), (2) put the unit in reverse, and (3) try to back straight up the slope. If you can back up the slope, it is generally safe to mow. However, if you do not feel safe, or if you are not completely sure, use this guide and do not mow a slope that is greater than 15 degrees. If the riding mower is used with a pull-behind or rear mounted attachment, do not operate the unit on a slope that is greater than 10 degrees.

A 15 degree slope is a hill that increases in height at approximately 2.5 feet in 10 feet.
A 10 degree slope is a hill that increases in height at approximately 1.7 feet in 10 feet.



Use extreme care at all times, and avoid sudden turns or maneuvers. Follow other instructions in this manual for safety in mowing on slopes. Operate a riding mower up or down slopes, never across the face of slopes. Operate a walk-behind mower across the face of slopes, never up or down slopes. Use extra care when operating on or near slopes and obstructions.

CUT HERE TO USE SLOPE GUIDE



Key No.	Part No.	Description
1	1101491	Handle, Bag Support
2	1101478 Z	Bracket, Bag Support
3	1x185	Bolt
4	1101490	Bag, Grass
5	1101384	Extension, Chute
—	F-010910M	Book, Instruction

CONTENIDO

GARANTÍA	11	ENSAMBLAJE	14
CARACTERÍSTICAS DEL RECOLECTOR DE HIERBA	11	OPERACIÓN	17
RESPONSABILIDADES DEL PROPIETARIO	11	MANTENIMIENTO	17
INFORMACIÓN PARA EL PROPIETARIO	12	GUIA DE INCLINACION	18
RESPONSABILIDADES DEL PROPIETARIO	12		

GARANTÍA LIMITADA DE UN AÑO PARA ADITAMENTOS

Durante un (1) año a partir de la fecha de compra, Sears reparará sin cargo alguno, cualquier defecto en el material o mano de obra de este aditamento.

Esta garantía no cubre lo siguiente:

- Elementos de desgaste normal, tales como cuchilla y adaptadores de cuchilla.
- Reparaciones necesarias debido al abuso o negligencia del operador, incluyendo almacenamiento inadecuado o accidentes, o a la falta de mantenimiento de la unidad de acuerdo a las instrucciones presentadas en el manual del propietario.
- Equipo que ha sido utilizado con fines comerciales o de arrendamiento.

EL SERVICIO DE GARANTÍA ESTÁ DISPONIBLE LLEVANDO EL ADITAMENTO AL CENTRO DE SERVICIO SEARS MÁS CERCANO, EN LOS ESTADOS UNIDOS.

Esta garantía le proporciona derechos legales específicos, y es posible que tenga otros derechos los cuales varían de estado a estado.

Sears, Roebuck and Co., D/871WA, Hoffman Estates, Illinois 60684.

CARACTERÍSTICAS DEL RECOLECTOR DE HIERBA

Instalación rápida: Se puede instalar y quitar fácilmente.

Desmontaje sin herramientas: No se necesitan herramientas para (des)montar el recolector de hierba.

Recolector de hierba

En el espacio indicado a continuación anote el número de serie y la fecha de compra de la unidad.

El número de modelo y el número de serie se encuentran en la calcomanía ubicada en la parte trasera del bastidor.

Número de Modelo: 536.330600

Número de Serie: _____

Fecha de Compra: _____

Guarde estos números para referencias futuras.

Felicitaciones por su compra de un aditamento recolector de hierba Craftsman para su cortacésped. Este recolector de hierba ha sido diseñado y fabricado con el propósito de ofrecerle la mayor seguridad y rendimiento posibles.

Si tiene cualquier problema técnico que no pueda solucionar fácilmente, por favor visite su Departamento de Servicio Sears más cercano. Tenemos técnicos competentes y bien entrenados que cuentan con las herramientas apropiadas para revisar y reparar esta unidad.

Por favor lea y guarde este manual. Las instrucciones en este manual le permitirán ensamblar y mantener su unidad adecuadamente. Tenga siempre en cuenta las "Reglas de Seguridad".

RESPONSABILIDADES DEL PROPIETARIO

- Lea y siga cuidadosamente las reglas de seguridad para una operación segura. Inspeccione la unidad.
- Siga todas las instrucciones de ensamblaje. Ajuste la unidad cuidadosamente.
- Aprenda a operar bien todo el equipo estándar y accesorio de la unidad. Asegúrese de que el operador pueda operar la unidad correctamente.
- Opere la unidad sólo con los dispositivos de seguridad, los protectores y otros elementos de seguridad en su lugar y funcionando correctamente.
- Complete todos los pasos de mantenimiento para la unidad. Utilice sólo piezas de repuesto autorizadas o aprobadas.

INFORMACION PARA EL PROPIETARIO

RESPONSABILIDADES DEL PROPIETARIO

Es la responsabilidad del propietario seguir las instrucciones enumeradas a continuación.

1. Lea y siga las instrucciones detenidamente para el uso seguro del equipo.
2. Siga todos los pasos de ensamblaje.
3. Inspeccione la unidad.
4. Cerciórese de que el operador de la unidad esté familiarizado con el uso correcto de todo equipo estándar y accesorio.
5. No opere la unidad sin tener los guardas, protectores y otro equipo de seguridad en su lugar y funcionando correctamente.
6. Ajuste la unidad de la manera especificada.
7. Use sólo piezas de repuesto autorizadas o aprobadas durante reparaciones a la unidad.
8. Complete todo el mantenimiento especificado en la unidad.

Consideraciones ambientales

- No llene completamente el tanque de combustible.
- Saque el combustible de la máquina al guardarla durante la temporada de no uso.
- Use solamente gasolina sin plomo.
- Examine y limpie el filtro de aire con regularidad.
- Cambie el aceite regularmente. Use aceite de grado 30W en el verano.
- Ajuste el motor regularmente.
- Mantenga el equipo en buen estado de funcionamiento.
- Deseche el aceite de motor usado de manera apropiada.

PRÁCTICAS DE OPERACIÓN SEGURA PARA CORTADORAS MANUALES



ADVERTENCIA: Esta máquina cortadora puede amputar manos y pies, además de lanzar objetos con gran fuerza. El no cumplir con las instrucciones de seguridad a continuación puede resultar en lesiones graves o muerte.

Esta máquina cortadora puede amputar manos y pies, además de lanzar objetos con gran fuerza. El no cumplir con las instrucciones de seguridad a continuación puede resultar en lesiones graves o muerte.

I. Operación general

1. Antes de comenzar, lea, preste atención y siga todas las instrucciones que se encuentran en la máquina y en los manuales. Familiarícese totalmente con los controles y el uso correcto de la cortadora de césped.
2. No coloque las manos ni los pies cerca o debajo de partes que estén girando. Manténgase, en todo momento, fuera de la abertura de descarga.
3. Permita el uso de la cortadora solamente a personas que estén familiarizadas con las instrucciones.
4. Examine completamente la cortadora y el área donde se usará el equipo. Limpie el área de objetos tales como piedras, juguetes, alambres, huesos, ramas, etc., los que podrían ser levantados y arrojados por la cuchilla.
5. Antes de comenzar a cortar, asegúrese de que no haya otras personas alrededor. Detenga la cortadora si alguien entra en el área.
6. No opere la cortadora cuando ande descalzo o esté vistiendo sandalias abiertas. Para su protección, debe usar siempre calzado fuerte.
7. No tire la cortadora hacia atrás a menos que sea absolutamente necesario. Mire hacia abajo y hacia atrás cuando esté moviéndose en reversa.
8. No opere la cortadora si los dispositivos de protección y seguridad no están en su lugar, p. ej., guardas, placas, recogedor de hierba.
9. Para la operación e instalación apropiada de los accesorios, consulte las instrucciones de fábrica. Use solamente accesorios aprobados por el fabricante.
10. Pare la cuchilla(s) si tiene que cruzar entradas de auto, senderos o caminos de grava.
11. Pare el motor siempre que deba dejar el equipo desatendido, antes de limpiarlo o antes de destupir el sistema de descarga de hierba.
12. Apague el motor y espere hasta que la cuchilla se detenga completamente, antes de retirar la bolsa recogedora de hierba.
13. Corte el césped solamente con la luz del día o con muy buena luz artificial.
14. No opere la cortadora si está bajo los efectos del alcohol, drogas o medicinas que puedan provocar sueño o que puedan afectar su habilidad para operar esta máquina con seguridad.
15. Nunca use la cortadora sobre hierba mojada. Asegúrese siempre de que puede pisar y pararse con firmeza en el terreno; sujete bien el mando de la cortadora y camine; nunca corra.
16. Desenganche el mecanismo impulsor o embrague impulsor, en la cortadora que lo tiene instalado, antes de hacer arrancar el motor.
17. Si el equipo empezara a vibrar anormalmente, pare el motor y revíselo inmediatamente para encontrar la causa. Generalmente la vibración es una señal de problema, éste puede indicar que la cuchilla está dañada, que la cuchilla está floja o que los pernos con que sujetan el motor están flojos.
18. Cuando opere la cortadora, siempre use gafas de seguridad o lentes de seguridad con protección lateral para proteger sus ojos de objetos extraños que pueden ser lanzados por la unidad.

INFORMACION PARA EL PROPIETARIO

19. Planee su patrón de corte para evitar que la descarga del material vaya hacia la calle, camino, acera, personas que se encuentren cerca, etc.
20. Pare el motor si ha golpeado algún objeto sólido. Desconecte el cable de la bujía. Inspeccione la cuchilla y la cortadora por si tienen algún daño. Si hay daño, haga las reparaciones necesarias antes de volver a operar la cortadora.
21. Cuando esté cortando el césped, mantenga cerrados los agujeros de desagüe y servicio del cárter de la cortadora.

II. Operación en cuestas

Las cuestas son uno de los factores mayores relacionados con los accidentes de resbalones y caídas los cuales pueden resultar en lesiones graves. Se requiere un cuidado muy especial cuando se trabaja en cuestas. Si usted no siente confianza de poder cortar en una cuesta, no lo haga.

LO QUE DEBE HACER:

Corte el césped en sentido diagonal a través de las cuestas; nunca cuesta arriba o cuesta abajo. No corte el césped en cuestas demasiado empinadas (15 grados máximo) o en áreas donde el terreno es muy disperejo. Consulte la "Guía" en la parte de atrás de este manual para evaluar la cuesta. Tenga mucho cuidado al cambiar de dirección en las cuestas.

Retire los objetos tales como rocas, ramas de árbol, etc.

Esté pendiente de agujeros, surcos o salientes. La hierba alta puede esconder los obstáculos.

LO QUE NO DEBE HACER:

No corte el césped cerca de bajadas, zanjas o terraplenes. El operador puede resbalar o perder el balance.

No corte el césped en cuestas demasiado empinadas.

No corte la hierba mojada. Si no puede pararse firmemente, puede resbalarse.

III. Niños

Pueden ocurrir accidentes trágicos si el operador no está alerta a la presencia de niños. Los niños a menudo se sienten atraídos por la cortadora y el corte de césped. *Nunca* suponga que los niños se quedarán en el lugar donde los vio la última vez.

1. Mantenga a los niños fuera del área donde está cortando el césped y bajo la vigilancia y cuidado de un adulto responsable.
2. Esté alerta y apague la cortadora si los niños entran en el área.
3. Si retrocede, mire hacia atrás y hacia abajo por si hubiera algún niño detrás de usted.
4. Nunca permita que un niño use la cortadora.
5. Tenga mucho cuidado al acercarse a esquinas ciegas, arbustos, árboles u otros objetos que le obstruyan la visión.

IV. Servicio

- *1. Tenga mucho cuidado con la gasolina y otros combustibles. Estos son inflamables y sus gases son explosivos.
 - a. Use solamente un recipiente aprobado.

- b. Nunca retire la tapa del tanque de gasolina ni añada combustible mientras el motor está funcionando. Permita que el motor se enfríe antes de reabastecer. No fume.
- c. Nunca reabastezca la máquina en un recinto cerrado.
- d. Nunca guarde la máquina o el recipiente de combustible dentro de un recinto donde haya una llama abierta, como la del piloto del calentador de agua o del horno de la calefacción.

*2. Nunca haga funcionar el motor bajo techo o dentro de un área cerrada.

3. Nunca deje el motor funcionando cuando haga ajustes o reparaciones a dispositivos tales como los reguladores de altura o recogedor de hierba. Desconecte el cable de la bujía, y mantenga el cable alejado de la bujía para prevenir un arranque accidental. Use siempre protección para los ojos cuando realice ajustes o reparaciones.

4. Mantenga apretadas todas las tuercas y los pernos, especialmente los pernos de sujeción de la cuchilla, y mantenga el equipo en buenas condiciones.

5. Nunca estropee los dispositivos de seguridad. Regularmente revíselos para asegurar que están trabajando correctamente.

6. Para reducir el peligro de incendio, mantenga la cortadora sin acumulaciones de hierba, hojas o alguna otra basura. Limpie inmediatamente cualquier derrame de aceite o combustible. Permita que la cortadora se enfríe antes de guardarla.

7. Si golpea algún objeto pare el motor e inspeccione el equipo. Haga cualquier reparación necesaria antes de rearrancar.

8. Nunca intente hacer ajuste a la altura de las ruedas mientras el motor está funcionando.

9. Siempre desconecte las cortadoras eléctricas antes de limpiarlas, repararlas, o ajustarlas.

10. Los componentes del recogedor de hierba están sujetos a desgaste, daño y deterioro, lo cual puede exponer las partes móviles o dejar que sean lanzados objetos alcanzados por la cuchilla. Revise los componentes con frecuencia y cuando sea necesario reemplácelos con partes recomendadas por el fabricante. Para guardarla, siempre asegúrese de que el recogedor/bolsa recogedora de hierba esté vacía.

11. Las cuchillas de las cortadoras están afiladas y le pueden cortar. Envuelva las cuchillas o póngase guantes gruesos, y tenga mucho cuidado cuando tenga que darles servicio.

12. No cambie el ajuste del gobernador del motor ni sobrepase la velocidad de régimen del motor.

13. Revise con frecuencia la cuchilla para detectar desgaste o daños tales como fisuras y hendiduras. Una cuchilla torcida o dañada debe reemplazarse inmediatamente con una cuchilla de la misma marca. Para su seguridad y un rendimiento de corte óptimo, reemplace la cuchilla cada dos años. Revise a menudo el perno de la cuchilla y los pernos de montaje del motor. Reemplace los pernos dañados y apriete los que están flojos.

14. Use solamente equipo original o piezas de repuesto autorizadas.

* Las indicaciones con asterisco no aplican a las cortadoras eléctricas



Busque este símbolo para indicaciones importantes sobre precauciones de seguridad. Este símbolo indica: "¡Atención! ¡Esté alerta! Su seguridad está en peligro".

ENSAMBLAJE

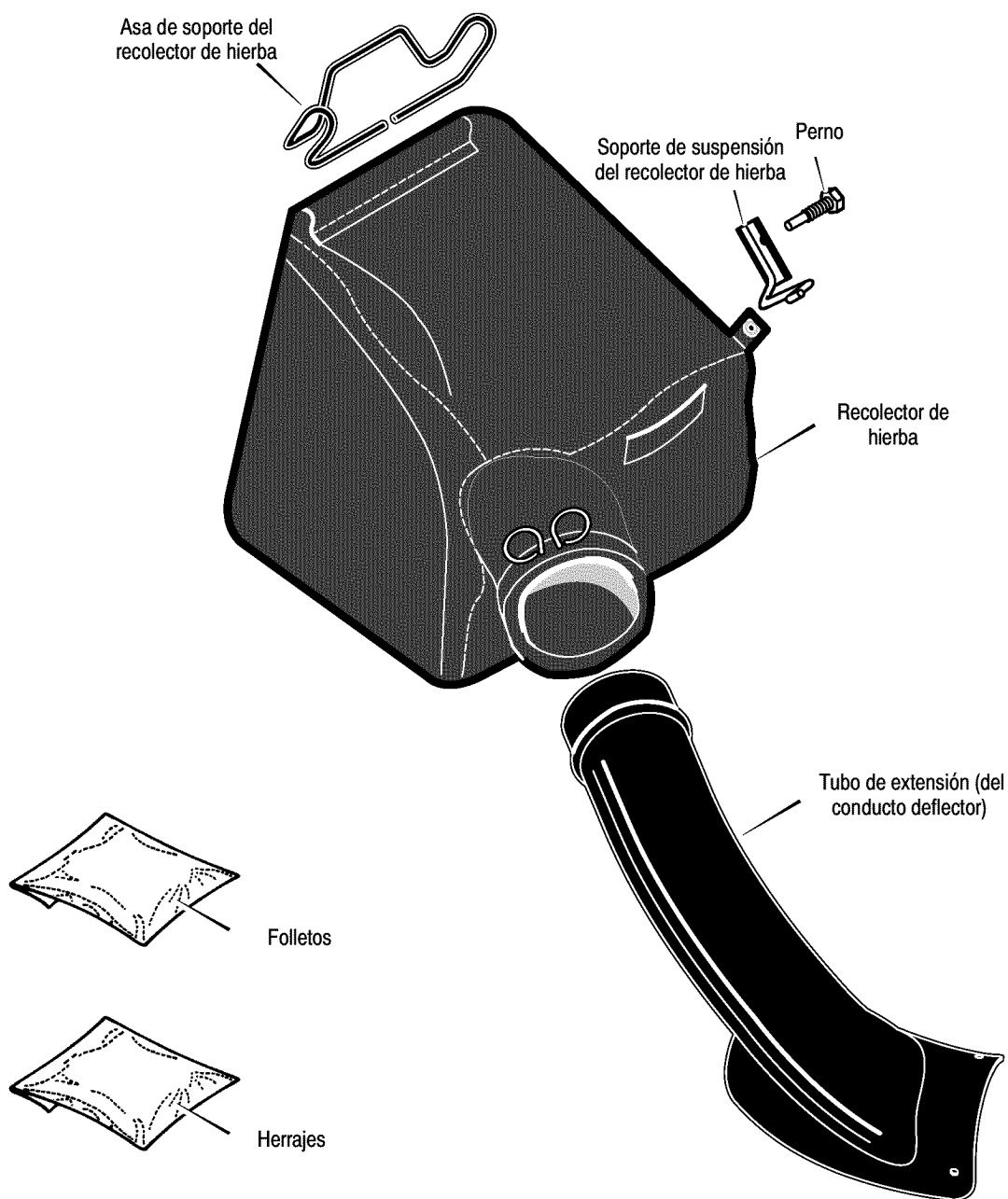
ENSAMBLAJE

Lea y siga las instrucciones de ensamblaje, operación y mantenimiento. Todos los sujetadores vienen en la bolsa de partes. No deseché ninguna pieza o material hasta que haya ensamblado la unidad. Despliegue e identifique todas las partes y el contenido de la bolsa.

HERRAMIENTAS NECESARIAS

- Llaves ajustables (2)

PIEZAS SUELTAS – CONTENIDO



ENSAMBLAJE

HERRAMIENTAS NECESARIAS

- Llaves ajustables (2)

CÓMO ENSAMBLAR EL RECOLECTOR DE HIERBA



ADVERTENCIA: Antes de instalar o desmontar el recolector de hierba, suelte el control de rotación de la cuchilla para que ésta deje de girar.

1. Quite los pernos del mango inferior que sujetan el **soporte del mango** del lado izquierdo (vea la Figura 4).
2. Use el **perno largo**, que viene con el recolector de hierba, y la **tuerca existente** para sujetar el **soporte de suspensión del recolector** al mango inferior (vea la Figura 4).
3. El cortacésped tendrá instalado en el cárter, un aditamento de descarga lateral o una placa trituradora. Quite los sujetadores que fijan el aditamento de descarga lateral o la placa trituradora al cárter del cortacésped.
4. Conecte el **tubo de extensión** (del conducto deflector) al **cárter del cortacésped**, usando los sujetadores que quitó en el paso 3.
5. Conecte el **asa de soporte** a la parte superior del **recolector de hierba** (vea la Figura 5).

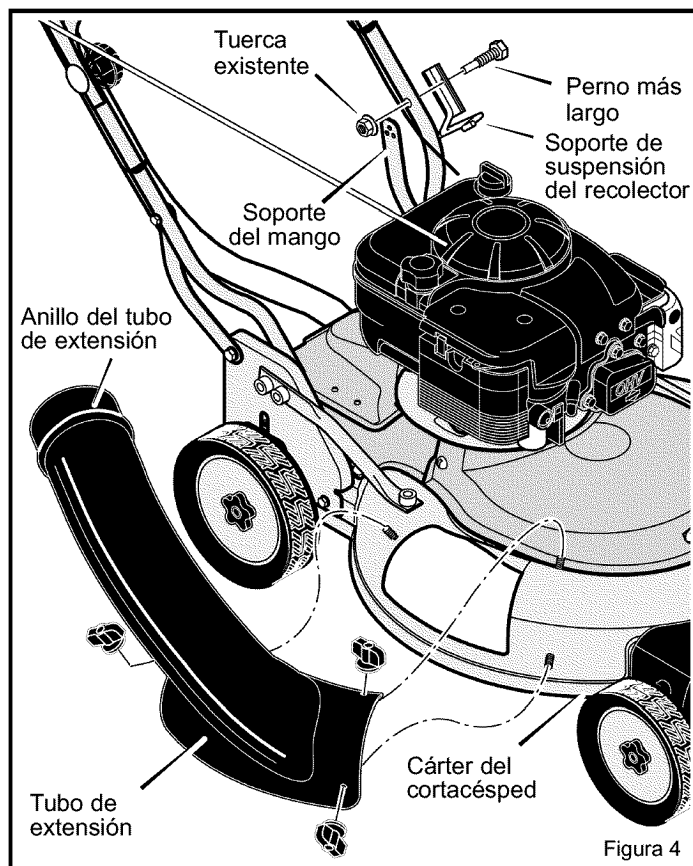


Figura 4

CÓMO MONTAR EL RECOLECTOR DE HIERBA



ADVERTENCIA: Antes de instalar o desmontar el recolector de hierba, suelte el control de rotación de la cuchilla para que ésta deje de girar.

1. Suelte el control de rotación de la cuchilla. Automáticamente la cuchilla dejará de girar.
2. Apriete los extremos de la **abrazadera** y deslice la parte delantera del **recolector de hierba** en el extremo del **tubo de extensión** (vea la Figura 5).
3. Asegúrese de que la **abrazadera** se deslice sobre el **anillo del tubo** y suelte la **abrazadera** (vea el anillo del tubo de extensión en la Figura 4).
4. Enganche la **presilla**, que se encuentra en un costado del **recolector de hierba**, en el **soporte de suspensión del recolector de hierba**.
5. Pase el **asa de soporte del recolector** por encima del **mango inferior**.

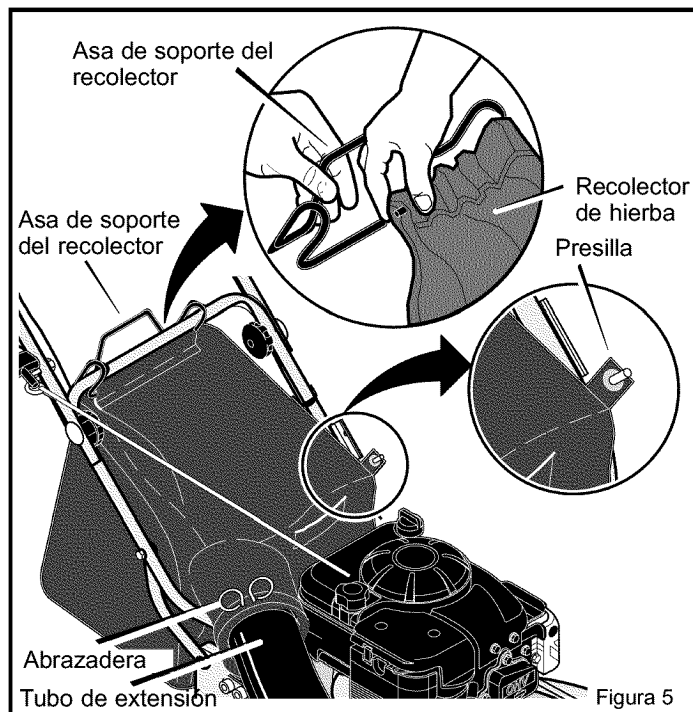


Figura 5

ENSAMBLAJE

CÓMO DESMONTAR EL RECOLECTOR DE HIERBA



ADVERTENCIA: Antes de instalar o desmontar el recolector de hierba, suelte el control de rotación de la cuchilla para que ésta deje de girar.

1. Para desmontar el **recolector de hierba** del **tubo de extensión**, apriete los extremos de la **abrazadera** y deslice el **recolector de hierba** fuera del **tubo de extensión**.
2. Levante la parte trasera del **recolector de hierba** usando el **asa de soporte** y levante la parte delantera del **recolector de hierba** usando la **trabilla** (vea la Figura 6).

CÓMO VACIAR EL RECOLECTOR DE HIERBA

1. Para sacar la hierba cortada del recolector, abra el **cierre** ubicado en la parte trasera del **recolector de hierba**.
2. Levante la parte delantera del **recolector** usando la **trabilla** y vacíe la hierba cortada.

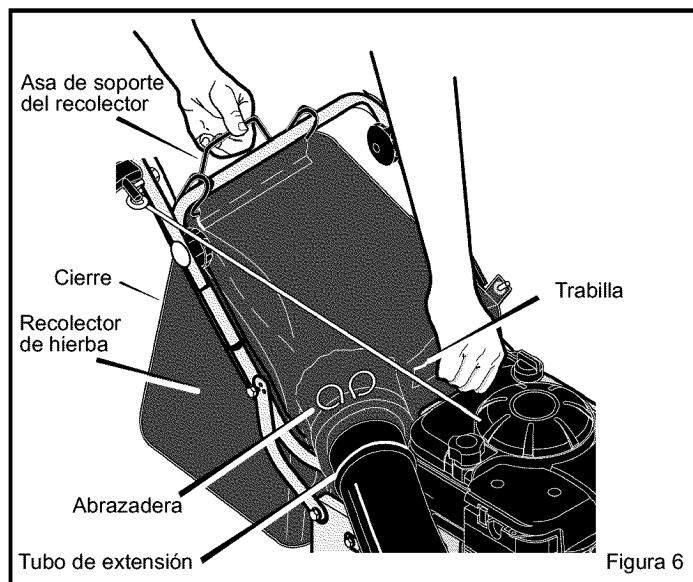


Figura 6

OPERACIÓN

OPERACIÓN

CÓMO OPERAR EL CORTACÉSPED



ADVERTENCIA: Lea y siga las instrucciones que aparecen en el “Manual de Instrucciones”



ADVERTENCIA: No opere el cortacésped cuando tenga instalada la extensión del conducto deflector solamente. Para operar el cortacésped, debe instalarse todo el conjunto del recolector de hierba y la abertura en la parte trasera del recolector debe estar cerrada.

Para que el recolector de hierba se llene completamente, opere el motor de la unidad con la palanca de aceleración en la posición RÁPIDO. Esta velocidad rápida hará que la máquina descargue mejor la hierba cortada y que llene bien el recolector de hierba.

Si la bolsa no se llena completamente, eleve la altura de corte. De esta manera entrará más aire debajo del cárter del cortacésped produciendo un mejor flujo de la hierba cortada al recolector.



ADVERTENCIA: Pare el motor antes de tratar de quitar hierba o basura de la extensión del conducto deflector.

Pare el motor si el tubo de extensión del conducto deflector se llena de hierba cortada. Desconecte el recolector de hierba del tubo de extensión. Desmonte el tubo de extensión del conducto deflector del cárter del cortacésped. Limpie la hierba o basura que se encuentran en el tubo de extensión.

MANTENIMIENTO

MANTENIMIENTO

CÓMO MANTENER EL RECOLECTOR DE HIERBA EN BUENAS CONDICIONES



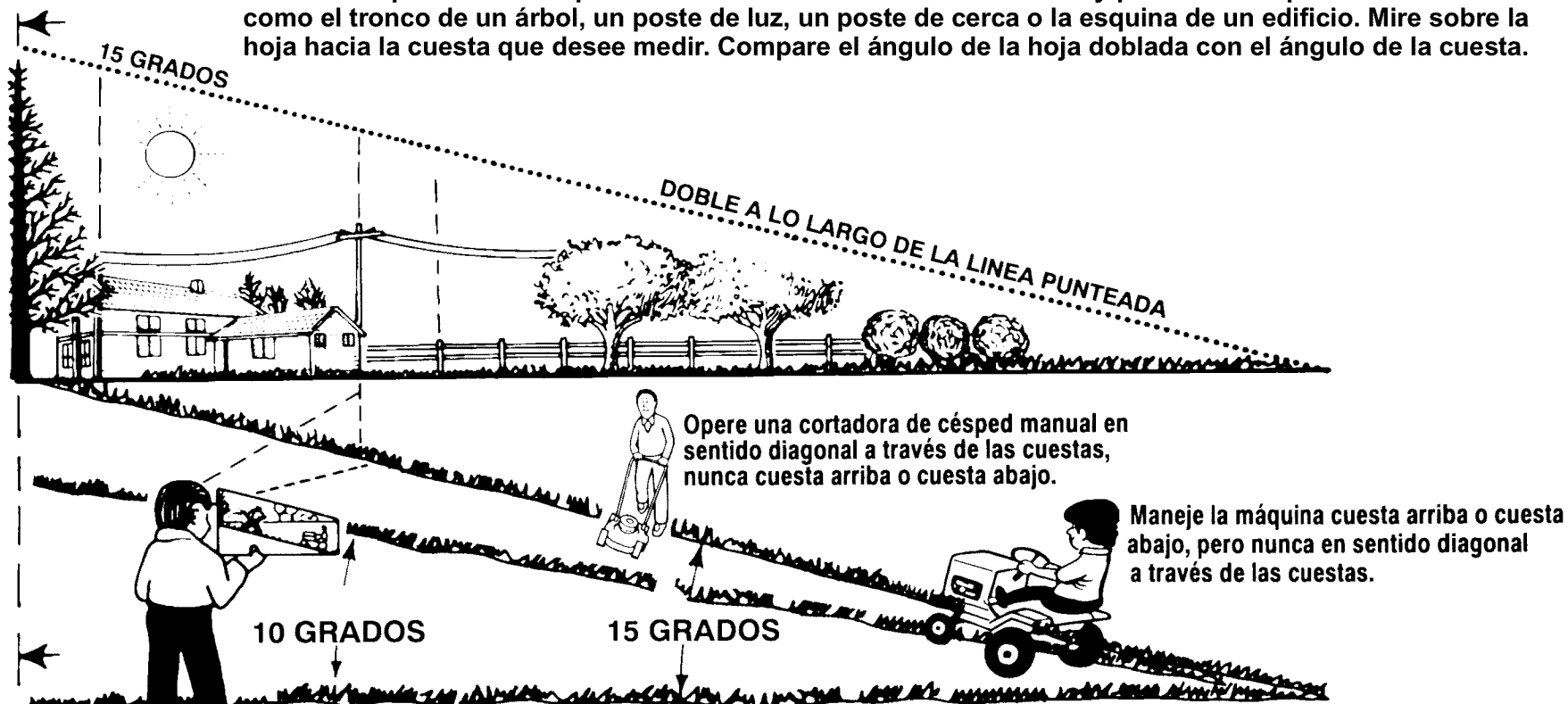
ADVERTENCIA: Revise el recolector de hierba por si estuviera gastado o deteriorado. Reemplace las partes gastadas o dañadas, usando solamente piezas de repuestos aprobadas por la fábrica, consulte la lista de partes que aparece en este manual.

Siempre vacíe el recolector de hierba después de cada uso. La hierba cortada que permanezca en la bolsa la deteriorará. Si el recolector de hierba está sumamente sucio, puede lavarlo con agua.

Antes de cada uso, revise los sujetadores del soporte del mango y el tubo de extensión. Compruebe que todos los sujetadores se encuentren apretados.

GUIA DE INCLINACION

Doble esta hoja a lo largo de la línea punteada indicada abajo. Posicione la hoja doblada en frente suyo de manera que el borde izquierdo esté orientado en sentido vertical y paralelo a un punto de referencia como el tronco de un árbol, un poste de luz, un poste de cerca o la esquina de un edificio. Mire sobre la hoja hacia la cuesta que desee medir. Compare el ángulo de la hoja doblada con el ángulo de la cuesta.



F-010900

18

Opere una cortadora de césped manual en sentido diagonal a través de las cuestas, nunca cuesta arriba o cuesta abajo.

Maneje la máquina cuesta arriba o cuesta abajo, pero nunca en sentido diagonal a través de las cuestas.

En una cortadora de césped autoportada, para determinar si es seguro cortar una cuesta: (1) desenganche la cuchilla (o las cuchillas), (2) ponga la velocidad marcha atrás, (3) intente retroceder cuesta arriba en línea recta. Si se puede retroceder, generalmente es seguro cortar el césped. Sin embargo, si no se siente seguro, o si Ud. no está absolutamente seguro, utilice esta guía y no corte una cuesta con una inclinación de más de 15 grados. Si se utiliza la cortadora de césped autoportada con un aditamento de arrastre o de montaje trasero, no opere la unidad en una cuesta con inclinación de más de 10 grados.

Una inclinación de 15 grados es una cuesta que aumenta aproximadamente 2,5 metros en altura por cada 10 metros de distancia.
Una inclinación de 10 grados es una cuesta que aumenta aproximadamente 1,7 metros en altura por cada 10 metros de distancia.



Siempre tenga mucho cuidado, y evite cambios de dirección repentinos. Siga las otras instrucciones en este manual para operar con seguridad cuando se corte en las cuestas. Maneje una cortadora de césped cuesta arriba o cuesta abajo, nunca en sentido diagonal a través de las cuestas. Opere una cortadora de césped manual en sentido diagonal a través de las cuestas, nunca cuesta arriba o cuesta abajo. Tenga cuidado cuando opere la cortadora en o cerca de las cuestas y obstáculos.

CORTE AQUI PAPA UTILIZAR LA GUIA DE INCLINACION

Get it fixed, at your home or ours!

For repair of major brand appliances **in your own home**
no matter who made it, no matter who sold it!

1-800-4-MY-HOME[®] Anytime, day or night
(1-800-469-4663) (U.S.A. and Canada)

www.sears.com

www.sears.ca

For repair of carry-in products like vacuums, lawn equipment,
and electronics, call for the location of your nearest
Sears Parts and Repair Center.

1-800-488-1222 Anytime, day or night (U.S.A. only)

www.sears.com

For the replacement parts, accessories and owner's manuals
that you need to do-it-yourself, call **Sears PartsDirectSM!**

1-800-366-PART 6 a.m. – 11 p.m. CST, 7 days a week
(1-800-366-7278) (U.S.A. only)

www.sears.com/partsdirect

To purchase or inquire about a Sears Service Agreement
or Sears Maintenance Agreement:

1-800-827-6655 (U.S.A.)

7 a.m. – 5 p.m. CST, Mon. – Sat.

1-800-361-6665 (Canada)

9 a.m. – 8 p.m. EST, M – F, 4 p.m. Sat.

Para pedir servicio de reparación a
domicilio, y para ordenar piezas:

1-888-SU-HOGARSM
(1-888-784-6427)

Au Canada pour service en français:

1-800-LE-FOYER^{MC}
(1-800-533-6937)
www.sears.ca

