

CRAFTSMAN®

4 Horsepower

9 Inch

EDGER/TRIMMER

MODEL NO.
536.772300



Caution:
Read and follow all Safety
Rules and Operating
Instructions before first use
of this product.

Sears, Roebuck and Co., Hoffman Estates, IL 60179 U.S.A.

711943 05/11/98

SAFETY

ASSEMBLY

OPERATION

MAINTENANCE

PARTS LIST

ESPAÑOL

TABLE OF CONTENTS

Table of Contents	2	Service and Adjustments	11-12
Warranty	2	Storage	12-13
Safety Rules	2-3	Troubleshooting	13
Contents of Shipping Carton	4	Edger /Trimmer Repair Parts	14-18
Assembly	4-5	Engine Repair Parts	19-22
Operation	5-9	Spanish (Español)	23-36
Maintenance	9-10	Parts Ordering/Service	Back Cover

WARRANTY STATEMENT

LIMITED TWO-YEAR WARRANTY ON CRAFTSMAN EDGER/TRIMMER

For two years from the date of purchase, when this Craftsman Edger/Trimmer is maintained, lubricated, and tuned up according to the operating and maintenance instructions in the owner's manual, Craftsman will repair, free of charge, any defect in material or workmanship.

If this Craftsman Edger/Trimmer is used for commercial or rental purposes, this warranty applies for only 90 days from the date of purchase.

This warranty does not cover the following:

- Expendable items which become worn during normal use, such as spark plugs, etc.
- Repairs necessary because of operator abuse or negligence, including bent crank shafts and the failure to maintain the equipment according to the instructions contained in the owner's manual.

WARRANTY SERVICE IS AVAILABLE BY RETURNING THE CRAFTSMAN EDGER/TRIMMER TO THE NEAREST CRAFTSMAN SERVICE CENTER/DEPARTMENT IN THE UNITED STATES. THIS WARRANTY APPLIES ONLY WHILE THIS PRODUCT IS IN USE IN THE UNITED STATES.

This warranty gives you specific legal rights, and you may also have other rights which may vary from state to state.


Sears, Roebuck and Co., D817WA, Hoffman Estates, IL 60179



SAFETY RULES



 Look for this symbol to point out important safety precautions. It means--- **ATTENTION!!!** Become alert!!! Your safety is involved.

 **CAUTION:** Always disconnect spark plug wire and place wire where it cannot contact spark plug to prevent accidental starting when setting-up, transporting, adjusting or making repairs.

BEFORE USE

- Read the owner's manual carefully. Be thoroughly familiar with the controls and the proper use of the Edger/Trimmer. Know how to stop the Edger/Trimmer and disengage the controls quickly.
- Do not operate the Edger/Trimmer without wearing adequate outer garments. Wear footwear that will improve footing on slippery surfaces.
- Keep the area of operation clear of all persons, particularly small children and pets.

- Thoroughly inspect the area where the Edger/Trimmer is to be used and remove all foreign objects.

FUEL SAFETY

- Handle fuel with care; it is highly flammable.
- Use an approved container.
- Check fuel supply before each use, allowing space for expansion as the heat of the engine and/or sun can cause fuel to expand.
- Fill fuel tank outdoors with extreme care. Never fill fuel tank indoors. Replace fuel tank cap securely and wipe up spilled fuel.
- Never remove the fuel tank cap or add fuel to a running or hot engine.
- Never store fuel or Edger/Trimmer with fuel in the tank inside a building where

fumes may reach an open flame.

OPERATING SAFETY

- Never allow children or young teenagers to operate the Edger/Trimmer. Keep them away while it is operating. Never allow adults to operate the Edger/Trimmer without proper instruction.
- Do not operate this machine if you are taking drugs or other medication which can cause drowsiness or affect your ability to operate this machine.
- Do not use this machine if you are mentally or physically unable to operate this machine safely.
- Always wear safety glasses or eye shields during operation or while performing an adjustment or repair to protect your eyes from foreign objects that may be thrown from the Edger/Trimmer.
- Do not put hands or feet near or under rotating parts.
- Exercise extreme caution when operating on or crossing gravel drives, walks, or roads. Stay alert for hidden hazards or traffic.
- Exercise caution to avoid slipping or falling.
- Never operate the Edger/Trimmer without proper guards, plates, or other safety protective devices in place.
- Never operate the Edger/Trimmer at high transport speeds on slippery surfaces. Look behind and use care when backing.
- Never allow bystanders near the Edger/Trimmer.
- Keep children and pets away while operating.
- Never operate the Edger/Trimmer without good visibility or light.
- Do not run the engine indoors. The exhaust fumes are dangerous, containing CARBON MONOXIDE, an ODORLESS and DEADLY GAS.
- Take all possible precautions when leaving the Edger/Trimmer unattended. Stop the engine.
- Do not overload the Edger/Trimmer capacity by attempting to edge too deep at too fast a rate.

SAFE STORAGE


- Always refer to the owner's manual instructions for important details if the Edger/Trimmer is to be stored for an extended period.
- Never store the Edger/Trimmer with fuel in the fuel tank inside a building where ignition sources are present such as


water and space heaters, clothes dryers, and the like. Allow the engine to cool before storing in any enclosure.

- Keep the Edger/Trimmer in safe working condition. Check all fasteners at frequent intervals for proper tightness.

REPAIR/ADJUSTMENTS SAFETY

- After striking a foreign object, stop the engine (motor). Remove the wire from the spark plug, and keep the wire away from the plug to prevent accidental starting. Thoroughly inspect the Edger/Trimmer for any damage, and repair the damage before restarting and operating it.
- If Edger/Trimmer should start to vibrate abnormally, stop engine (motor) and check immediately for the cause. Vibration is generally a warning of trouble.
- Stop the blade whenever you leave the operating position. Also, disconnect the spark plug wire before unclogging the blades and when making any repairs, adjustments, or inspections.
- When cleaning, repairing, or inspecting, shut off the engine and make certain all moving parts have stopped.
- Never attempt to make any adjustments while the engine is running except when specifically recommended by the manufacturer.

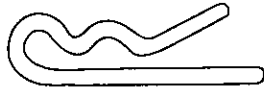
 **WARNING:** The engine exhaust from this product contains chemicals known to the State of California to cause cancer, birth defects or other reproductive harm.

 **WARNING:** This unit is equipped with an internal combustion engine and should not be used on or near any unimproved forest-covered, brush-covered or grass-covered land unless the engine's exhaust system is equipped with a spark arrester meeting applicable local or state laws (if any). If a spark arrester is used, it should be maintained in effective working order by the operator.

In the state of California the spark arrester is required by law (Section 4442 of the California Public Resources Code). Other states may have similar laws. Federal laws apply on federal lands. A spark arrester/muffler is available through your nearest Craftsman Authorized Service Center (See REPAIR PARTS section in this manual).

Parts packed separately in carton (not shown full size)

1 - Owner's Manual (not shown)



(1) - Hair Pin

1 - Container SAE30 oil



ASSEMBLY

⚠ CAUTION: Always wear safety glasses or eye shields while assembling Edger/Trimmer.

The figure to the right shows the Edger/Trimmer completely assembled.

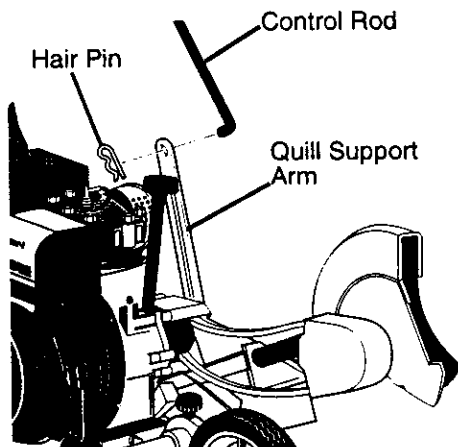
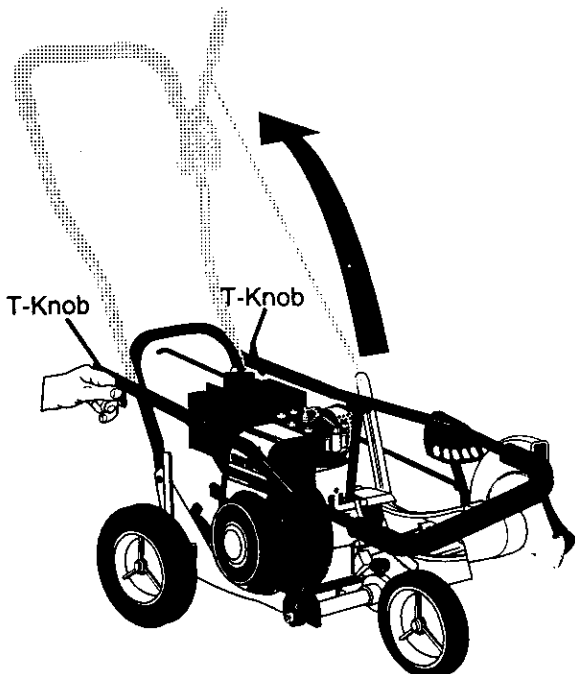
References to the right or left hand side of the Edger/Trimmer are from the viewpoint of the operator's position behind the unit.

TO REMOVE EDGER/TRIMMER FROM CARTON

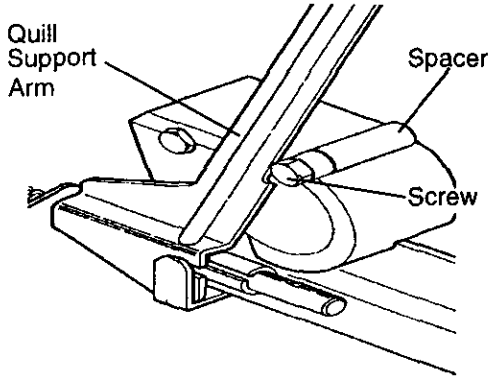
- Remove the bottle of oil and parts bag from the carton.
- Cut down all four corners of the carton.
- Remove packing material on Edger/Trimmer.
- Loosen T-knobs and raise handle to operator's position allowing control rod to swing freely.
- Tighten T-knobs. T-knobs should be to the outside of the handles as shown in figure below.



- Insert end of control rod left to right through the hole in the quill support arm. Attach with hair pin found in parts bag. See figure below.



When the clutch lever is in NEUTRAL, the quill support arm should be close to the spacer and screw behind it as shown in figure below.



✓ CHECKLIST

Before you operate and enjoy your new Edger/Trimmer, we wish to assure that you receive the best performance and satisfaction from this quality product.

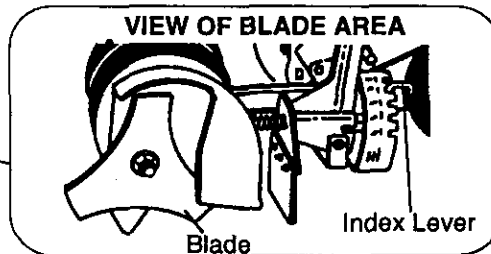
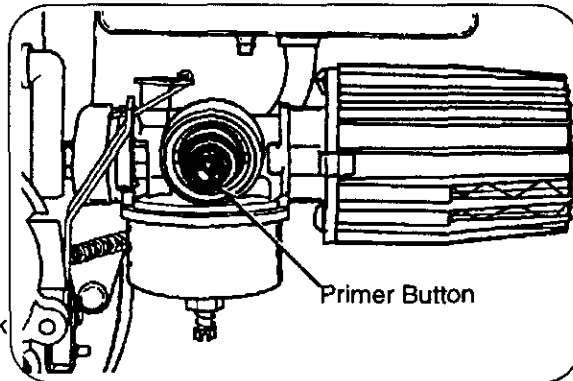
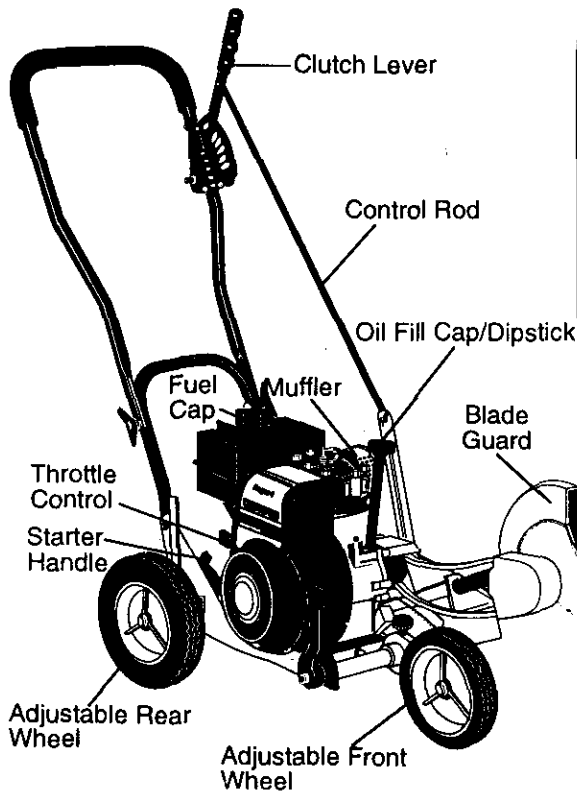
PLEASE REVIEW THE FOLLOWING CHECKLIST:

- ✓ All assembly instructions have been completed.
 - ✓ No remaining loose parts in carton.
 - ✓ All fasteners have been tightened.
- While learning how to use your Edger/Trimmer, pay extra attention to the following important items:
- ✓✓ Engine oil is at proper level.
 - ✓✓ Fuel tank is filled with fresh, clean regular Unleaded gasoline.
 - ✓✓ Become familiar with all controls-their location and function. Operate controls before starting engine.

OPERATION

KNOW YOUR EDGER/TRIMMER

READ THIS OWNER'S MANUAL AND SAFETY RULES BEFORE OPERATING YOUR EDGER/TRIMMER. Compare the illustrations with your EDGER/TRIMMER to familiarize yourself with the location of various controls and adjustments. Save this manual for future reference.



Throttle Control – Used to control the engine speed.

Primer Button – Injects fuel directly into the carburetor manifold for faster starts.

Starter Handle – The engine on this Edger/Trimmer is equipped with an easy pull recoil starter.

Clutch Lever – Used to start and stop the blade and control the depth of cut.

Blade Guard – Used to prevent stones or other material from being thrown at the operator.

Index Lever – Permits adjustment from the edging (vertical) position to trimming (horizontal) position. To change position, pull the index lever and rotate the quill assembly to the desired angle or position.

Adjustable Rear Wheel – Right rear wheel is adjustable to level Edger/Trimmer when edging along a curb (curb-hopping).

Adjustable Front Wheel – Front wheel is adjustable from side-to-side for balance. Also, can be adjusted down for curb-hopping.

HOW TO USE YOUR EDGER

⚠ WARNING: The operation of this Edger/Trimmer can result in foreign objects being thrown into the eyes, which can cause severe eye damage. Always wear safety glasses or eye shields while operating the Edger/Trimmer.

We recommend standard safety glasses or Wide Vision Safety Mask for over your glasses.

TO STOP EDGER/TRIMMER

- To stop the engine, make sure the clutch lever is all the way back or up and move the throttle control lever to the STOP position.

⚠ CAUTION: Never leave the Edger/Trimmer unattended while the engine is running. Always disengage the cutting blade and stop the engine.

TO USE THROTTLE CONTROL

- Run at full engine speed during normal use.
- Push throttle control lever up to increase speed; down to decrease speed.

TO USE PRIMER BUTTON

- Push primer button five times. See page 5 figure for location. Wait about two

seconds between each push.

- Do not use primer button to restart a warm engine after a short shutdown.

TO USE THE CLUTCH LEVER

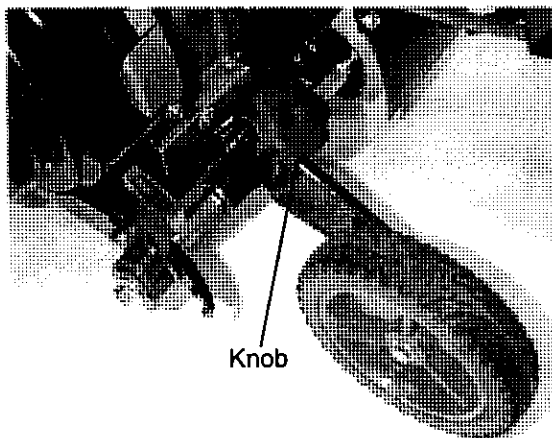
- Start the engine and move the clutch lever forward or down to engage the cutting blade.
- Select the edging depth you need. There are 5 selections up to approximately 2-3/4 inches deep.

IMPORTANT: If very deep edging is required, we recommend that a shallow cut be made first, then cuts at greater depths until the desired depth is obtained.

TO USE THE INDEX LEVER (TRIMMING OPERATION)

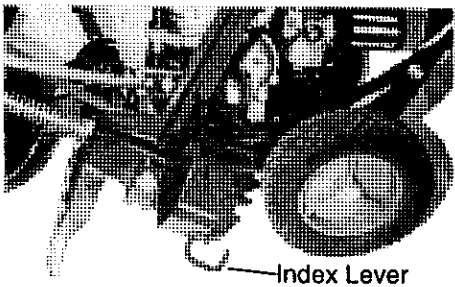
- Stop engine and disconnect the spark plug wire from the spark plug.
- Loosen the knob shown in figure below on the front wheel arm and slide the wheel all the way to the right side.
- Tighten the knob securely.

⚠ CAUTION: The front wheel must be in the extreme right position to prevent the blade from striking wheel while in trimming position.



- Pull the index lever out of its notch as shown below and position it in the notch marked 90°. See figure on page 7.
- Reconnect the spark plug wire and start the engine. Move the clutch lever to the desired trimming height.

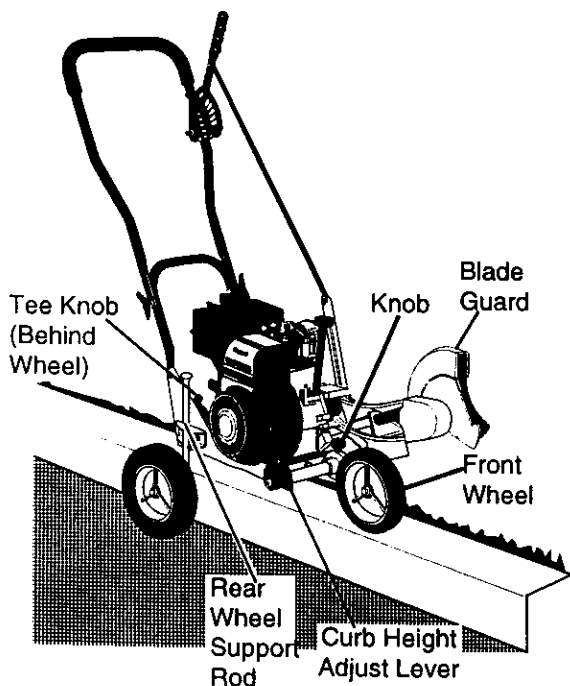
⚠ CAUTION: Never leave the Edger/Trimmer unattended while the engine is running. Prior to adjusting the wheels and/or indexing blade position, always disengage the cutting blade and stop the engine.



INDEX LEVER IN THE NOTCH MARKED "90" TO USE CURB-HOPPING FEATURE

The adjustable front and right rear wheel feature permit the Edger/Trimmer to be used on an uneven surface such as a curb as shown in figure below.

- Stop the engine and disconnect the spark plug wire from the spark plug.
- Loosen the knob on the front wheel arm bracket and slide the wheel to the best position to clear the curb and balance the unit.
- Tighten the knob securely.
- Using the curb height adjust lever, lower the front wheel to a position that places the Edger/Trimmer level with the left rear wheel on the uneven curb surface.
- Loosen tee knob on the inside right rear of the main frame that secures the wheel support rod as shown below.
- Slide the rear wheel down until the Edger/Trimmer is level when the left wheel is on the curb.
- Tighten the knob securely.



- Reconnect the spark plug wire and start the engine. The depth of cut adjustment is the same as described in Edging Operation paragraph.

CAUTION: Keep away from the rotating blade. The blade can cause injury.

BEFORE STARTING ENGINE

PRE-USE CHECK OF CONTROLS

All controls should be checked for proper function before servicing or starting the engine.

- Move the clutch lever into all six positions in the selector plate. Make sure the clutch lever snaps into all six holes.
- Return the clutch lever to the rearmost hole in the selector plate.

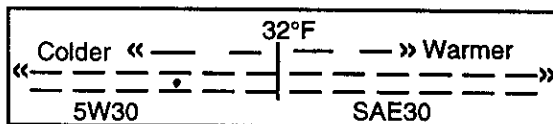
FILL/ADD OIL:

This Edger/Trimmer was shipped with a 20 ounce container of SAE30 motor oil. This oil must be added to the engine before operating. Remove the oil fill cap/dipstick to fill the crankcase. **DO NOT OVERFILL.**

NOTE: Engine may already contain some residual oil. Check frequently when filling the crankcase.

OIL RECOMMENDATIONS

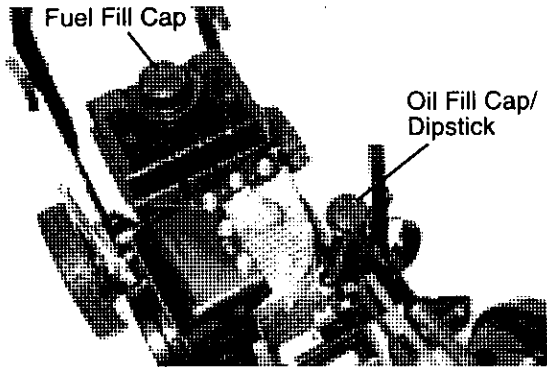
Only use high quality detergent oil rated with API service classification SG. Select the oil's SAE viscosity grade according to your expected operating temperature. Although multi-viscosity oils (5W30, 10W30, etc.) improve starting in cold weather, these multi-viscosity oils will result in increased oil consumption when used above 32°F. Check your engine oil level more frequently to avoid possible engine damage from running low on oil.



TO ADD ENGINE OIL

- Place the Edger/Trimmer on a level surface.
- Remove the oil fill cap/dipstick.
- Fill the engine crankcase, pouring slowly. **DO NOT OVERFILL.** For approximate capacity see PRODUCT SPECIFICATIONS chart in this manual.

- Reinstall the oil fill cap/dipstick and tighten securely.
- Check oil before each use. Add if needed.
- Change oil every 25 operating hours thereafter.



FILL GAS

NOTICE: ENGINES WHICH ARE CERTIFIED TO COMPLY WITH CALIFORNIA AND US EPA EMISSION REGULATIONS FOR ULGE ENGINES: Are certified to

operate on regular unleaded gasoline. Include the following emission control system(s): EM, TWC (if so equipped). Include any user adjustable features - therefore no other adjustments are needed.

Fill the fuel tank with clean, fresh, unleaded regular, unleaded premium, or reformulated automotive gasoline only. **DO NOT** use leaded gasoline. Be sure that the container you pour the gasoline from is clean and free from dust or other foreign particles. Never use gasoline that may be stale from long periods of storage in the container.

⚠ CAUTION: Never fill the gas tank while the engine is running or hot.

Immediately wipe off any spilled gasoline before attempting to start the engine.

⚠ CAUTION: Gasoline is flammable and caution must be used when handling or storing it. Do not fill fuel tank while Edger/ Trimmer is running, hot, or when in an enclosed area. Keep away from open flame, electrical spark, and do not smoke while filling the fuel tank. Never fill fuel tank completely; but fill the tank to within 1/4-1/2 inch from the top to provide space for expansion of fuel. Always fill fuel tank outdoors and use a funnel or spout to prevent spilling. Make sure to wipe up any spilled fuel before starting the engine. Store gasoline in a clean, approved container, and keep the cap in place on the container. Keep gasoline in a cool, well ventilated

place; never in the house. Never buy more than a 30 day supply of gasoline to assure volatility. Gasoline is intended to be used as a fuel for internal combustion engines therefore, do not use gasoline for any other purpose. Since many children like the smell of gasoline, keep it out of their reach because the fumes are dangerous to inhale, as well as being explosive.

⚠ WARNING: Experience indicates that alcohol blended fuels called gasohol or using methanol can attract moisture which leads to separation and formation of acids during storage. Acidic gas can damage the fuel system of an engine while in storage. To avoid engine problems, the fuel system should be emptied before storage of 30 days or longer. Drain fuel tank, start engine and let it run until fuel lines and carburetor are empty. Use fresh fuel next season. See Storage Instructions for additional information. Never use engine or carburetor cleaner products in the fuel tank or permanent damage may occur.

TO START THE ENGINE

Before starting the engine, be sure you have read and understood all the instructions on the preceding pages. The Edger/ Trimmer is equipped with a recoil starter. The operation of the engine is controlled by the throttle control lever.

- Pull the clutch lever all the way back or up to the rearmost hole to raise and disengage the blade.
- Move the throttle control lever, see figure on page 5 to the FAST position.
- Push primer button five times, see figure on page 5. Wait about two seconds between each push.

NOTE: Do not use primer button to restart a warm engine after a short shutdown.

- To start engine, grasp the engine starter handle firmly with your right hand.
- Hold the edger handle firmly with your left hand.
- Pull up sharply on the recoil starter handle. **DO NOT** allow the starter rope to snap back, let it rewind slowly while holding the starter handle. If engine fails to start after three pulls, push primer button two times and pull starter rope again.
- When the engine starts. Push throttle control lever up to increase speed; down to decrease speed. Run at full engine speed during normal use.

NOTE: The cutting blade speed is controlled by the engine speed. To reduce the cutting blade speed, push down on the throttle control lever. To increase the blade speed, push the throttle control lever up.

- To stop the engine, make sure the clutch lever is all the way back or up and move the throttle control lever to the STOP position.

CAUTION: Never run the engine indoors or in a poorly ventilated area. Engine exhaust contains carbon monoxide, an odorless and deadly gas. Keep hands, feet, hair and loose clothing away from any moving parts on the engine or Edger/Trimmer. Avoid the muffler and surrounding areas. Temperatures may exceed 150° F.

EDGING TIPS

- Edging is best performed when conditions are dry. If the soil is too wet, dirt becomes packed in and around the blade causing premature belt wear and decreased performance.
- If dirt does become packed around the blade, stop the engine, remove the spark

plug wire, and remove the packed debris before continuing to edge.

- If very deep edging is required, we recommend that a shallow cut be made first, then cuts at greater depth until the desired depth is obtained.
- Uniform edging can be performed when the blade guide rides on and against the surface which you are edging.
- Edging can be customized by varying the number of passes and by the distance your blade is from the surface you are edging.

PRODUCT SPECIFICATIONS

Horse Power:	4.0
Displacement:	9.52 cu. in. (156 cc)
Gasoline Capacity:	2.0 qt. (unleaded)
Lubrication:	20 oz. SAE-30W
Spark Plug:	Champion CJ-8 or Equivalent

MAINTENANCE

CUSTOMER RESPONSIBILITIES

SERVICE RECORDS Fill in dates as you complete regular service	SCHEDULE								SERVICE DATES			
	After First 2 Hours	Before Each Use	Fre- quently	Every 5 Hours	Every 10 Hours	Every 25 Hours	Begin Each Season	Before Storage				
Lubricate all Pivot Points					✓			✓				
Lubricate Wheel Axles						✓		✓				
Check Engine Oil Level		✓										
Change Engine Oil						✓	✓					
Replace Air Cleaner Filter							✓					
Check Spark Plug						✓	✓					
Check Drive Belt			✓									
Tighten All Screws and Nuts	✓		✓									
Check Blade Wear/Damage			✓									
Lubricate quill rod/tube					✓		✓	✓				

GENERAL RECOMMENDATIONS

The warranty on this Edger/Trimmer does not cover items that have been subjected to operator abuse or negligence. To receive full value from the warranty, the operator

must maintain the Edger/Trimmer as instructed in this manual. The above chart is provided to assist the operator in properly maintaining the Edger/Trimmer.

LUBRICATION

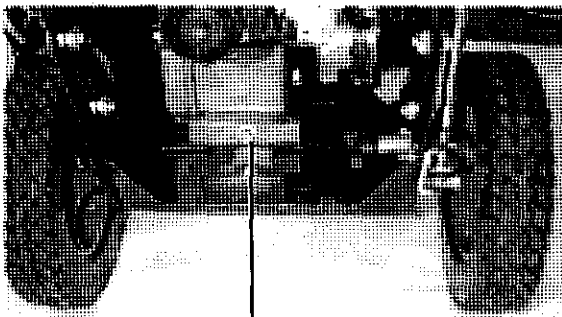
- After each 25 hours of use of your Edger/Trimmer, apply light machine oil to all moving parts, particularly the wheels.
- The oil in the engine crankcase must be changed after each 25 hours of use thereafter. See OIL RECOMMENDATIONS in OPERATIONAL section in this manual.

TO CHANGE OIL

- Disconnect the spark plug wire from the spark plug.
- Remove the oil drain plug as shown below and drain the oil into a flat pan.
- After draining all the oil, reinstall the oil drain plug securely.

NOTE: The oil will drain more freely when the engine is warm.

VIEW FROM REAR



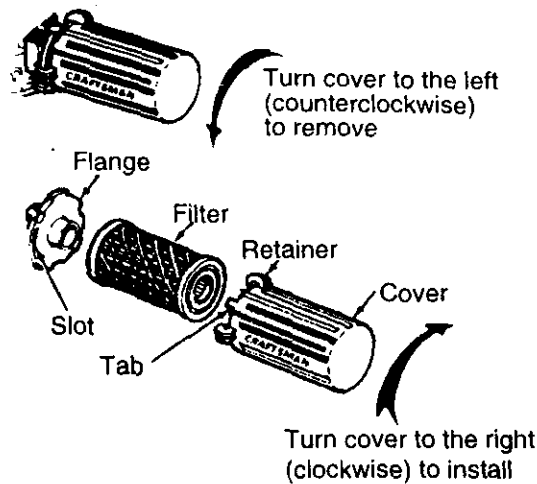
Oil Drain Plug

AIR CLEANER

Replace the filter once a year; more often under dusty or dirty conditions. **DO NOT** attempt to clean or oil the air filter.

To install a new air filter, do the following:

- Disconnect the spark plug wire from the spark plug.
- Turn the cover as shown below to the left counterclockwise and remove the cover and the air filter from the flange.
- Discard the air filter.
- Clean the cover and the flange thoroughly.
- Insert the new air filter into the cover.
- Push the cover firmly against the flange and turn it to the right clockwise as far as it will go as shown in figure below. Be sure the retainers are locked around the flange.
- Reconnect the spark plug wire.



CAUTION: Never run the engine without the air cleaner element installed. A defective air cleaner can result in loss of engine power and can cause excessive wear or damage to the engine components if dirt or dust is permitted to enter the engine through the carburetor. A damaged air cleaner, or one that is clogged with dust or dirt should be replaced immediately.

SPARK PLUG

Clean the spark plug and reset the gap periodically. Before removing spark plug, clean the area around its base to prevent dirt from entering into the engine. Replace the spark plug if the electrodes are pitted or burned or if the porcelain is cracked. Clean the spark plug by carefully scraping the electrodes with a knife or screwdriver (do not sand blast or use a wire brush). Be sure the spark plug is clean and free of foreign material. Check the electrodes gap with a wire feeler gauge and reset to .030 inches if necessary. If a new spark plug is needed, refer to the PRODUCT SPECIFICATION on page 9 for the proper replacement spark plug.

Before reinstalling the spark plug, coat the threads lightly with graphite or light oil to insure easy removal. Tighten the spark plug firmly into the engine. If a torque wrench is available, torque the spark plug to 15 foot-pounds.

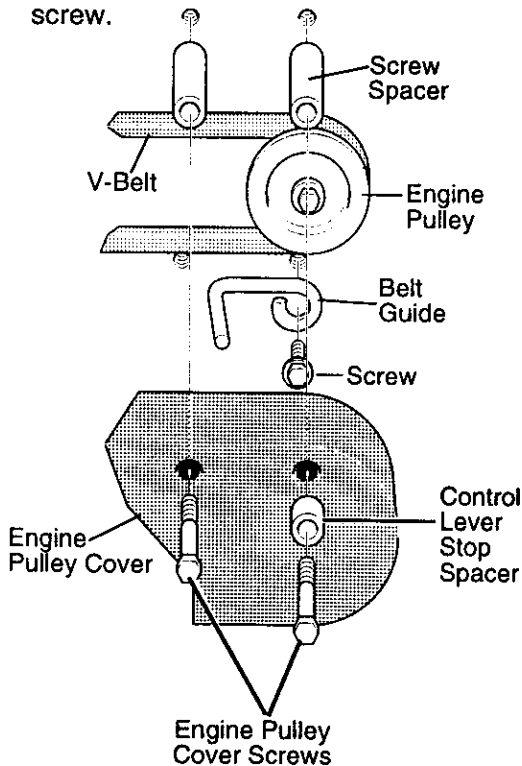
CAUTION: Always stop the engine and disconnect the spark plug wire before making any repairs to the Edger/Trimmer.

SERVICE AND ADJUSTMENTS

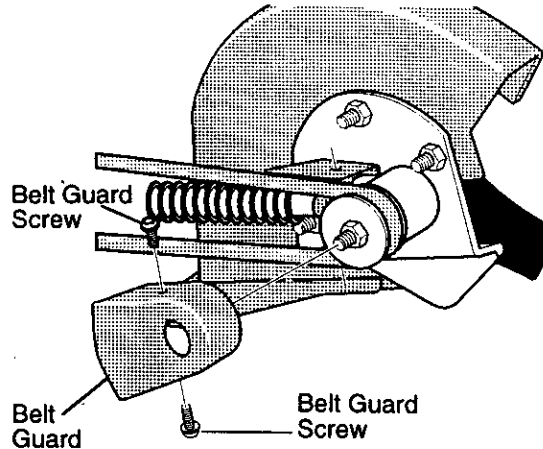
V-BELT REPLACEMENT

Your Craftsman Edger/Trimmer is equipped with a V-belt made of a special compound. If the belt becomes worn or breaks replace it with an original equipment belt as shown in the Repair Parts section of this manual. Never use a substitute.

- Disconnect the spark plug wire.
- Put the clutch lever back or up to release the tension from the belt.
- Remove the two top screws from the engine pulley cover as shown in figure below and remove the cover. Make sure you do not lose the spacer on the rear screw.



- Loosen the screw securing the belt guide as shown above to the engine. Then swing the belt guide away from the belt.
- Remove the two screws from the belt guard as shown in next figure.
- Remove the belt from the engine and quill assembly pulleys and install the new belt.
- Install and secure front belt guard.
- Secure the belt guide loosened earlier.
- Reinstall the engine pulley cover and reconnect the spark plug wire.

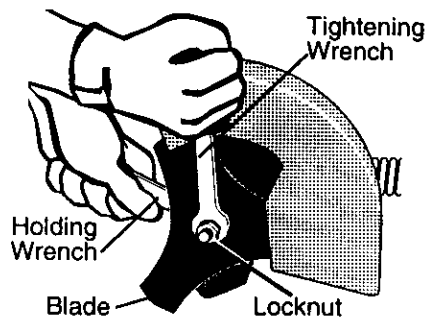


BLADE REPLACEMENT

The cutting blade is subject to wear and damage such as nicks and dents. This will not generally affect its function.

This blade is specially designed to not require sharpening. Do not attempt to sharpen this blade. The blade is reversible. If the nicks and dents are excessive, remove the blade, turn it around and reinstall. This will provide a fresh cutting edge. The blades should be replaced if both sides are worn and damaged.

⚠ CAUTION: When removing or tightening the blade nut, always use the method shown in figure below. The holding wrench must always be positioned on the nut behind the cutting blade.



⚠ CAUTION: Do not attempt to sharpen this blade. Sharpening could damage it and cause it to break, which may further result in injury to yourself or a bystander.

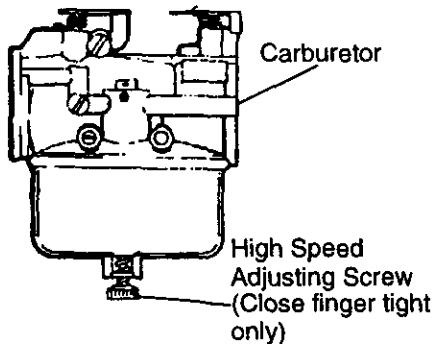
To replace the blade, do the following:

- Disconnect spark plug wire.
- Remove the 1/2-20 locknut shown in next figure securing the blade to the drive shaft.

- Remove the blade.
- Install the new blade and reinstall nut. Tighten the nut securely to 40-45 ft. lbs.
- Reconnect the spark plug wire.

TO ADJUST CARBURETOR

The carburetor shown below has been pre-set at the factory and readjustment should not be necessary. However, if the carburetor does need to be adjusted, proceed as follows:



- Close the high speed adjusting screw by hand.
- Do not over-tighten.
- Then open it 1-1/4 to 1-1/2 turns.

- Start the engine and let it warm up.
- Set the throttle control to FAST. Adjust the high speed adjusting screw **in** until the engine speed or sound alters. Adjust the screw **out** until the engine speed sound alters. Note the difference between the two limits and set the screw in the middle of the range.
- If the engine tends to stall under load or not accelerate from low speed to high speed properly, adjust the high speed screw out in 1/8 turn increments until the problem is resolved.
- Let the engine run undisturbed for 30 seconds between each setting to allow the engine to react to the previous adjustments.

IMPORTANT: Never tamper the engine governor, which is factory set for proper engine speed. Overspeeding the engine above the factory high speed setting can be dangerous. If you think the engine-governed high speed needs adjusting, contact your nearest Craftsman Service Center, which has the proper equipment and experience to make any necessary adjustments.

STORAGE

CAUTION: Never store your Edger/Trimmer indoors or in an enclosed, poorly ventilated area. If gasoline remains in the tank, fumes may reach an open flame, spark or pilot light from a furnace, water heater, clothes dryer, cigarette, etc.

EDGER/TRIMMER

- Clean the Edger/Trimmer thoroughly; remove all debris and wipe the unit dry.
- Inspect the Edger/Trimmer for worn or damaged parts and tighten all loose hardware.
- Oil all points described in the Lubrication paragraph in the **Maintenance** section of this manual.
- Store the Edger/Trimmer in a protected area and cover for additional protection.

IMPORTANT: A yearly checkup or tune-up by a Craftsman Service Center is a good way of ensuring that your Edger/Trimmer will provide maximum performance for the next season.

ENGINE

IMPORTANT: It is important to prevent gum deposits from forming in essential fuel system parts such as the carburetor, fuel filter, fuel hose, or tank during storage. Also, experience indicates that alcohol-blended fuels called gasohol or using ethanol or methanol can attract moisture which leads to separation and formation of acids during storage. Acidic gas can damage the fuel system of an engine while in storage.

To prevent engine damage (if Edger/Trimmer is not used for more than 30 days) follow the steps on next page.

- To remove gasoline, run the engine until the tank is empty and the engine stops.
- If you do not want to remove gasoline a fuel stabilizer (such as Craftsman fuel stabilizer No. 33500) may be added to any gasoline left in the tank to minimize gum deposits and acids. If the tank is almost empty, mix stabilizer with fresh gasoline in a separate container and add some to the tank. Always follow instructions on stabilizer container. Then run engine at least 10 minutes after stabilizer is added to allow mixture to reach carburetor. Store Edger/Trimmer in a safe place. See **CAUTION** under **STORAGE** on page 12.
- Store the Edger/Trimmer in the wheels-down, operating position. If the Edger/Trimmer is stored in any other position,

oil from the crankcase could enter the cylinder, causing a service problem.

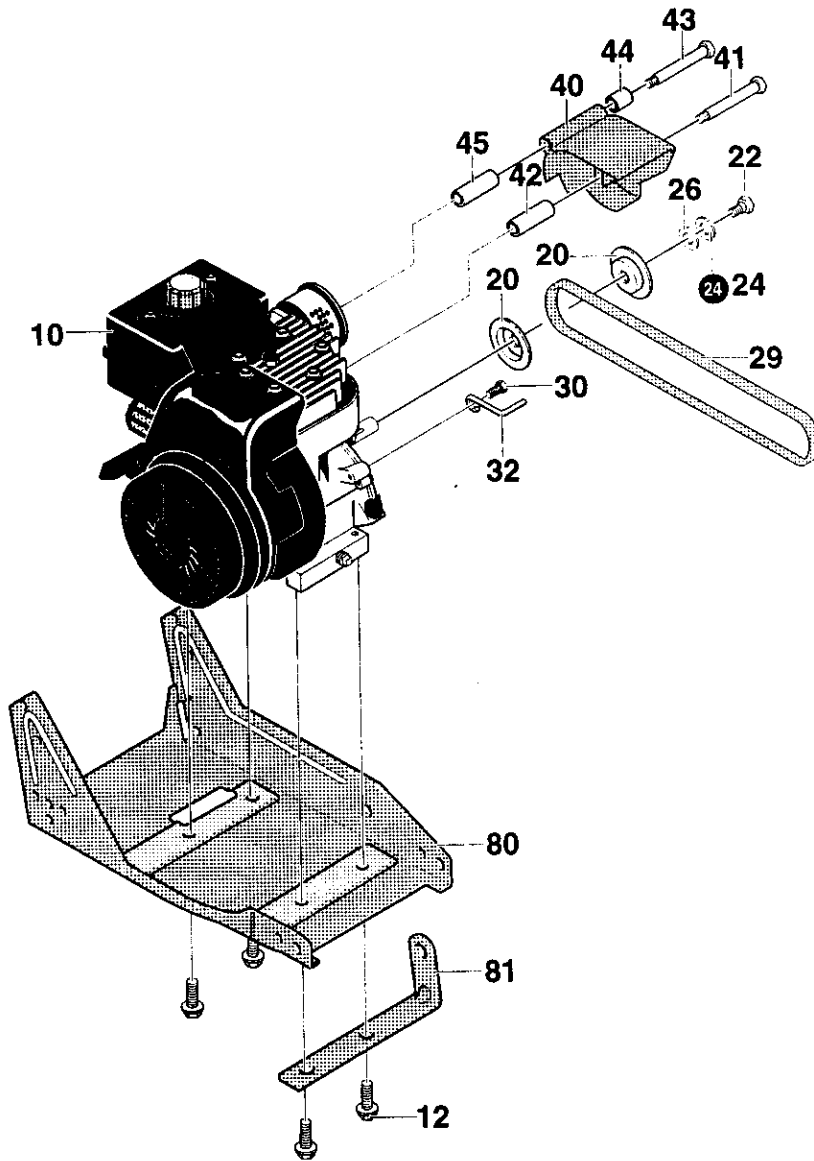
You can keep your engine in good operating condition during storage by:

- Changing oil.
- Lubricating the piston/cylinder area. This can be done by first removing the spark plug and squirting clean engine oil into the spark plug hole. Then cover the spark plug hole with a rag to absorb oil spray. Next, rotate the engine by pulling the starter two or three times. Finally, reinstall spark plug and attach spark plug wire.

TROUBLE SHOOTING

TROUBLE	CAUSE	CORRECTION
Difficult starting or Engine runs erratic	Stale fuel	Drain fuel tank. Fill with fresh fuel
	Defective spark plug	Clean and re-gap spark plug
	Clogged fuel line	Replace fuel filter
	Blocked fuel line or empty fuel tank	Clean fuel line; check gas tank
	Carburetor out of adjustment	Have carburetor adjusted
	Fouled spark plug	Clean and adjust gap
	Clogged air cleaner	Tap clean or replace air cleaner
Cutting blade fails to turn	Jammed due to foreign object	Clear obstruction
	Loose blade	Tighten blade retaining nut
	Defective belt	Replace V-belt
	Defective quill bearings	Replace the quill assembly
Blade fails to cut properly	Damaged or worn blade	Reverse blade or replace blade
Excessive vibration	Loose parts	Stop engine immediately; tighten all bolts. If vibration continues, take the unit into the nearest Craftsman Service Center

**CRAFTSMAN 9" -4 H.P. EDGER/TRIMMER 536.772300
ENGINE ASSEMBLY**



Note: Always use original equipment parts. Use of service/replacement parts other than original parts may void your warranty.

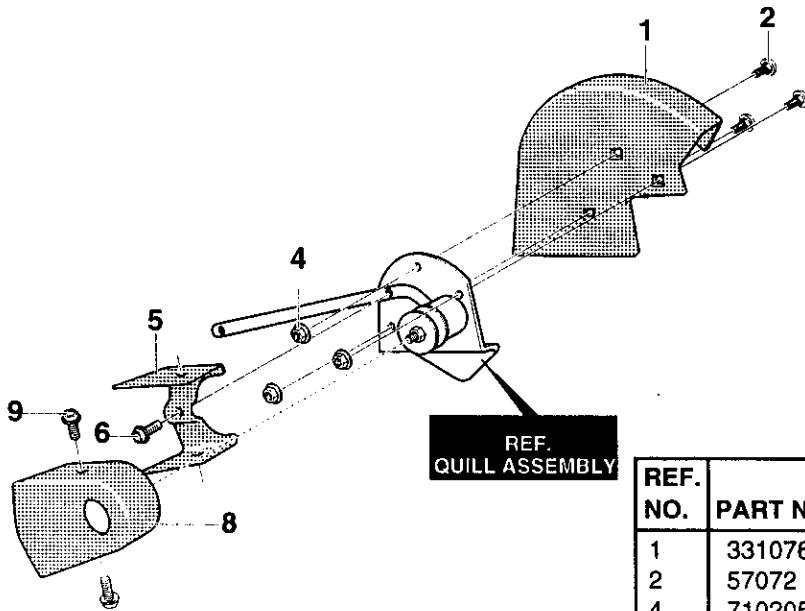
All unnumbered items are interchangeable with opposite side

REF. NO.	PART NO.	PART NAME	REF. NO.	PART NO.	PART NAME
10	ENGINE	4 HP 143.984001 (See Engine pages)	40	331281-848	Cover, Engine Pulley
12	47792	Screw, 3/8-16 x 1.00TAP	41	181624	Screw, 5/16-24x3.00 HHC
20	314781	Pulley, Half V3L	42	315095	Spacer, Sleeve .335x.431x2.50
22	181608	Screw, 5/16-24x 1.00 HHC	43	173030	Screw, 5/16-24x3.75
24	120638	Washer, SPTLK .328x.60x.09	44	308237	Spacer, .322ID .562 OD
26	45602	Washer, Flat .333x.87x.119	45	315095	Spacer, Sleeve .335x.431x2.50
29	32668	Belt, V 4L 32.60LG	80	323534-848	Frame, Assy Edger
30	313011	Screw and Washer Assy	81	308154-848	Strap
32	51600	Guide, Belt		711943	Owner's Manual ENG/SP

323095E

CRAFTSMAN 9" - 4 H.P. EDGER/TRIMMER 536.772300

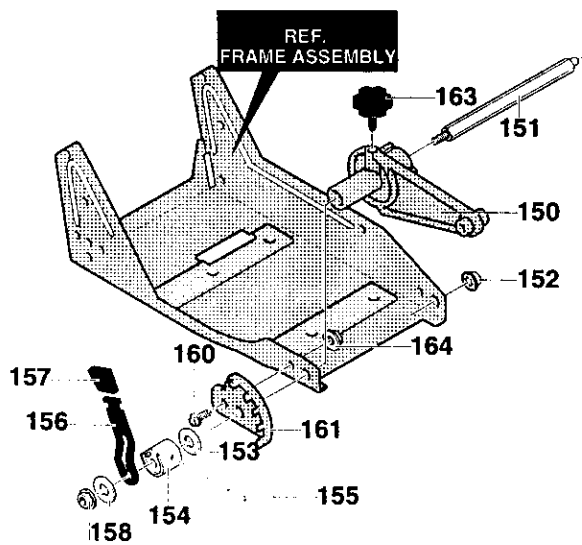
BLADE GUARD ASSEMBLY



332247E

REF. NO.	PART NO.	PART NAME
1	331076-848	Blade Guard
2	57072	Carr. Bolt 5/16-18x.63
4	710205	Nut, 5/16-18 Wdfllk
5	326748-848	Guide, Belt Front
6	710264	Screw, 1/4-20x.50 Tap
8	53405-848	Cover, Quill Pulley
9	710271	Screw, 10-16x.50

FRONT WHEEL BRACKET ASSEMBLY



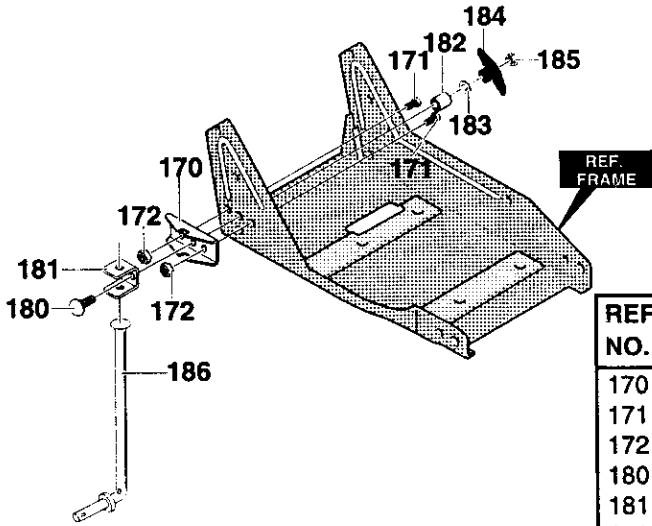
159

331765E

REF. NO.	PART NO.	PART NAME
150	339299-848	Arm, Front Wheel
151	740132	Rod, Front Mount
152	338614	Pushnut, Washer
153	325892	Washer, Plastic
154	331421	Spacer, Height Adjust
155	332002	Pin, Spring .187Diax1.50Lg
156	331419	Lever, Height Adjust
157	20252	Knob, Rectangle

REF. NO.	PART NO.	PART NAME
158	22265	Flatwasher .515x1.38x.119
159	45905	Nut, 3/8-16 Hwdflk Mack
160	51333	Screw, 5/16-18x.63
161	331394-848	Plate, Height Adjust Quad
163	339388	Knob, W/5/16-18 Stud
164	710205	Nut, 5/16-18 Wdfllk

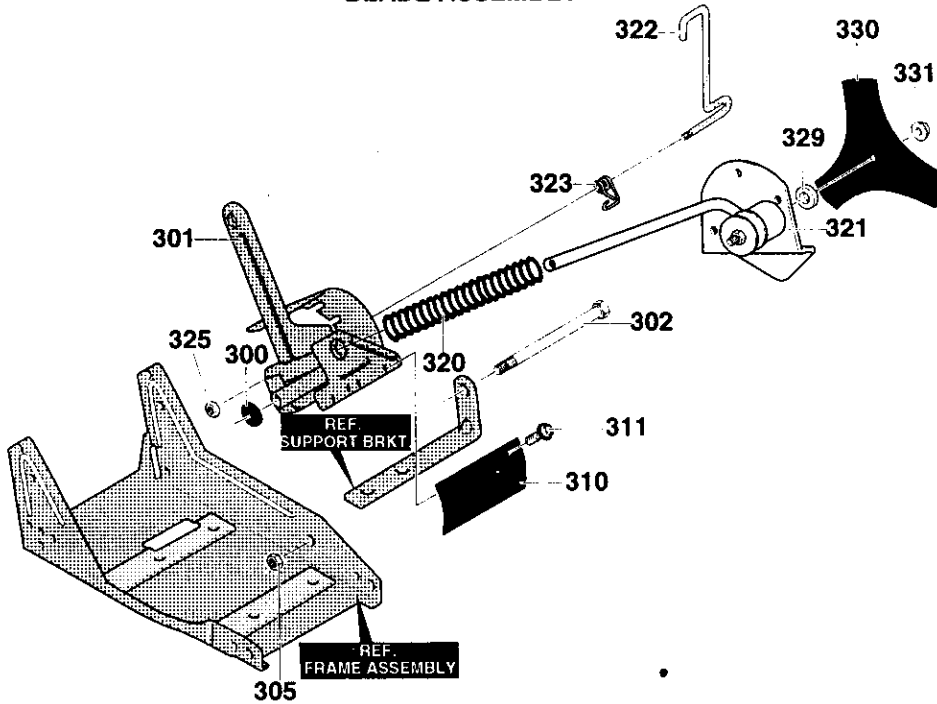
CRAFTSMAN 9" - 4H.P. EDGER/TRIMMER 536.772300
CURB HOPPER ASSEMBLY



323179D

REF. NO.	PART NO.	PART NAME
170	6842	Bracket, Curb Hop Mnt
171	180077	Screw, 5/16-18x.75
172	1498	Nut, 5/16-18 Reghexctrk
180	126380	Carr. Bolt, 5/16-18x2.00
181	8082	Clevis
182	45222	Spacer, Slev .356x.63x1.01
183	120393	Flatwasher .344x.69x.065
184	13527	Knob, T
185	120376	Nut, 5/16-18 Reghex
186	310896	Rod, Wheel Support

BLADE ASSEMBLY



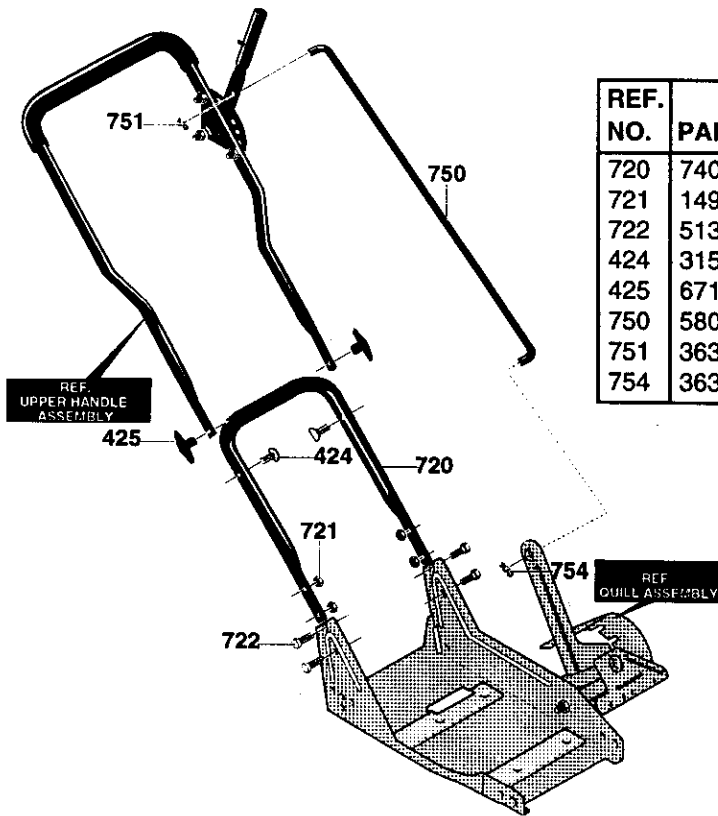
323129C

REF. NO.	PART NO.	PART NAME
300	120396	Flatwasher, .531x1.06x.095
301	338656-848	Quill Suppt. Assy.
302	308254	Shoulder Bolt 3/8-16
305	780072	Nut, 3/8-16 Reghexctrk
310	308243	Deflector, Rubber
311	710271	Screw, 10-16x.50 Tap
320	51603	Compression Spring

REF. NO.	PART NO.	PART NAME
321	338070	Quill Assembly, Lrg Suppt.
322	308466	Index Lever
323	308155	Torsion Spring
325	1498	Nut, 5/16-18 Reghexctrk
329	22265	Flatwasher, .515x1.38x.119
330	308344-853	Blade Edger
331	46023	Nut, 1/-20 Wdfl

CRAFTSMAN 9" - 4H.P. EDGER/TRIMMER 536.772300

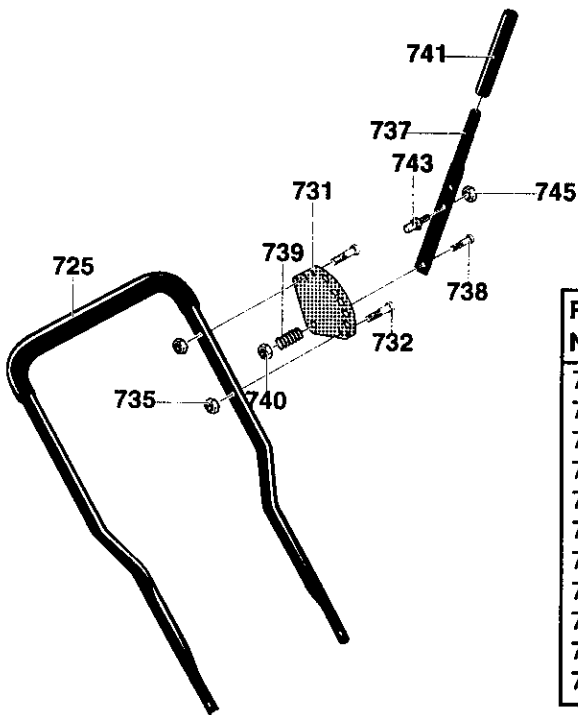
HANDLE ASSEMBLY



REF. NO.	PART NO.	PART NAME
720	740127-853	Lower Handle
721	1498	Nut, 5/16-18 Reghexctrk
722	51333	Screw, 5/16-18x.63
424	315288	Bolt, 5/16-18x1.75 CUH
425	671294	Knob, Wing 5/16-18 Nut
750	580292-853	Control Rod
751	36368	Hair Pin .072Diax1.13Lg
754	36368	Hair Pin .072Diax1.13Lg

343718A

UPPER HANDLE ASSEMBLY

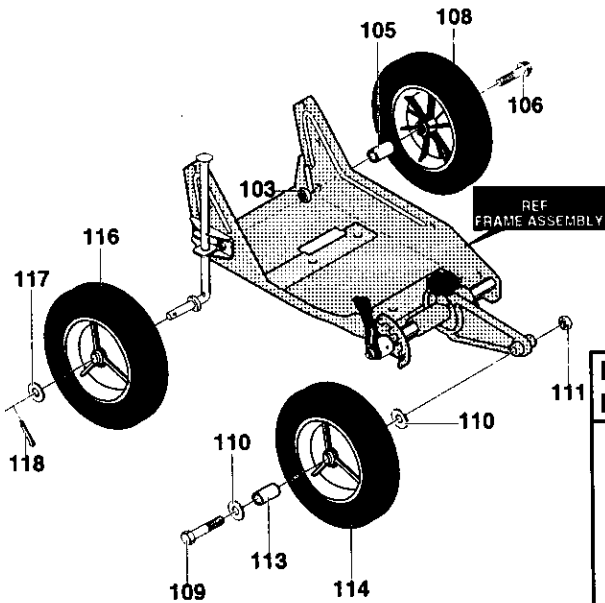


REF. NO.	PART NO.	PART NAME
725	740147	Upper Handle & Foam
731	310052-853	Plate Selector
732	180024	Screw, 1/4-20x1.25
735	782585*	Nut, 1/4-20 Reghexctrk
737	310050-853	Handle, Depth Adjust
738	180081	Screw, 5/16-18x1.25
739	25644	Spring
740	1498	Nut, 5/16-18 Reghexctrk
741	56924	Grip, Hand
743	310053	Stud
745	1499	Nut, 3/8-16 Reghexctrk

323136F

CRAFTSMAN 9" - 4 H.P. EDGER 536.772300

TIRES ASSEMBLY



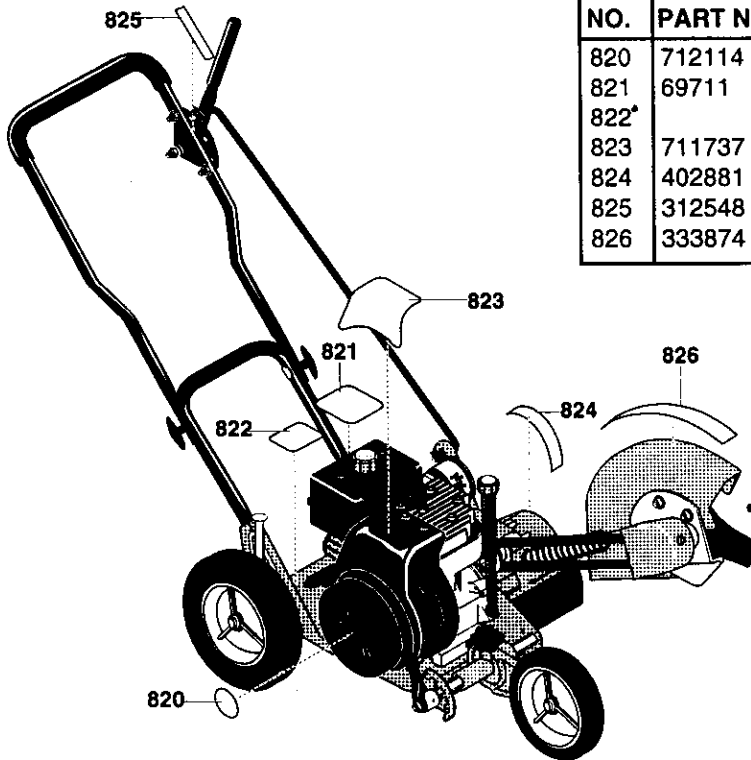
REF. NO.	PART NO.	PART NAME
103	41529	Nut, 3/8-16 Hxctrlkjam
105	310715	Spacer, Slev .390x.70x.70
106	310716	Bolt, HSH 3/8-16
108	336545	Tire & Rim 8x1.75
109	180113	Screw 5/16-18x3.00
110	120393	Washer, Flat .344x.69x.065
111	710205	Nut, 5/16-18 Wdflik
113	51887	Spacer, Slev
114	336546	Tire & Rim 7x1.50
116	336545	Tire & Rim 8x1.75
117	2968	Washer, Flat .504x.75x.059
118	121222	Pin, Cotter .090Diax.75Lg

343720A

DECALS

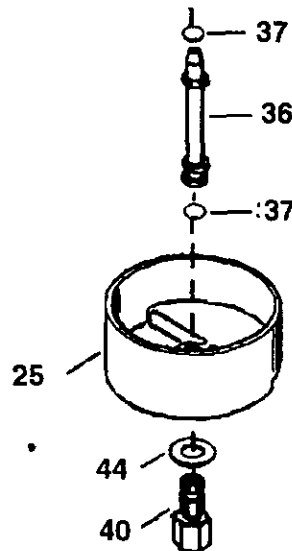
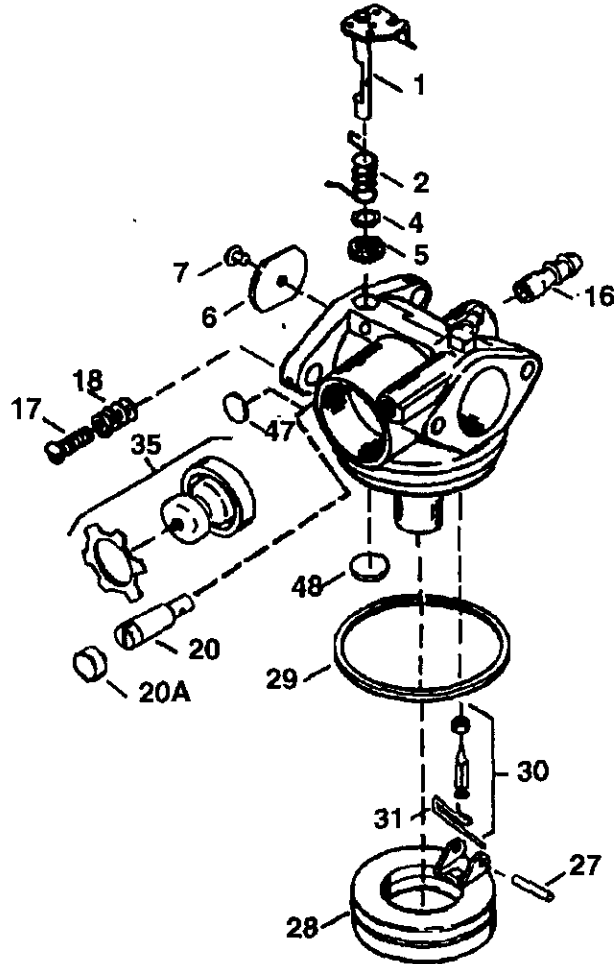
REF. NO.	PART NO.	PART NAME
820	712114	Decal, Recoil Cover
821	69711	Decal, Information Danger
822*		Reference Only
823	711737	Decal, 4.0HP Engine
824	402881	Decal, Angle Indicator
825	312548	Decal, Quadrant Selector
826	333874	Decal, Blade Cover

343717A



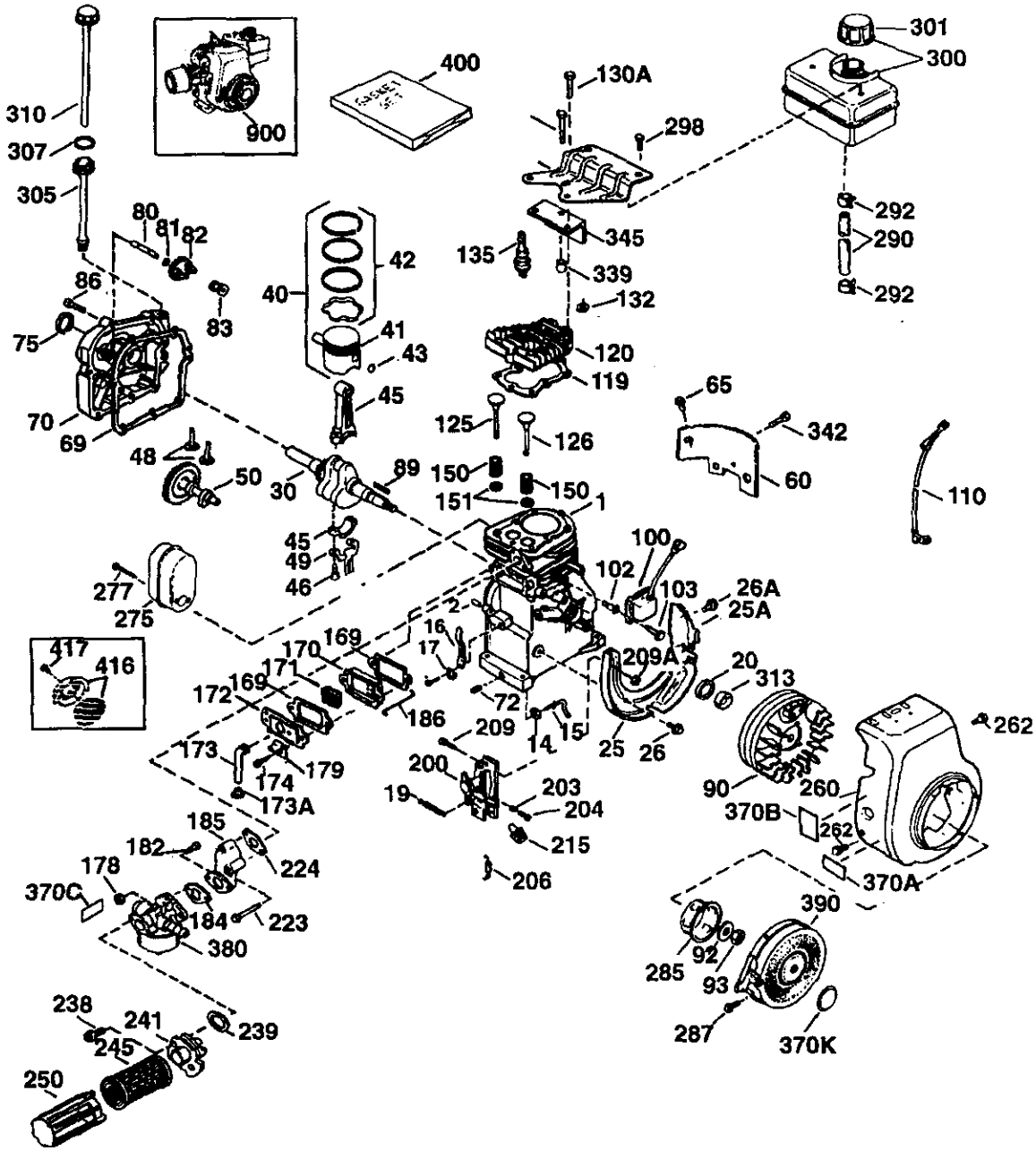
CRAFTSMAN 4-CYCLE ENGINE MODEL NUMBER: 143.984001

Carburetor No.640049



REF. NO.	PART NO.	PART NAME
0	640049	Carburetor (Incl. 184 of Engine Parts List)
1	631615	Throttle Shaft & Lever Ass'y.
2	631767	Throttle Return Spring
4	631184	Dust Seal Washer
5	631183	Dust Seal (Throttle)
6	631036	Throtter Shutter
7	650506	Shutter Screw
16	632164	Fuel Fitting
17	650417	Throttle Crack Screw/Idle Speed Screw
18	630766	Tension Spring
20	640018	Idle Restrictor Screw
20A	640053	Idle Restrictor Screw Cap
25	631867	Float Bowl
27	631024	Float Shaft
28	632019	Float
29	631028	Folat Bowl "O" Ring
30	631021	Inlet Needle, Seat, Clip (incl 31)
31	631022	Spring Clip
35	36045A	Primer Bulb/Retainer Ring
36	632745	Main Nozzle Tube
37	632547	"O" Ring, Main Nozzle Tube
40	640050	High Speed Bowl Nut
44	27110	Bowl Nut Washer
47	630748	Welch Plug, idler Mixture Well
48	631027	Welch Plug Atmospheric Vent

CRAFTSMAN 4-CYCLE ENGINE MODEL NUMBER: 143.984001



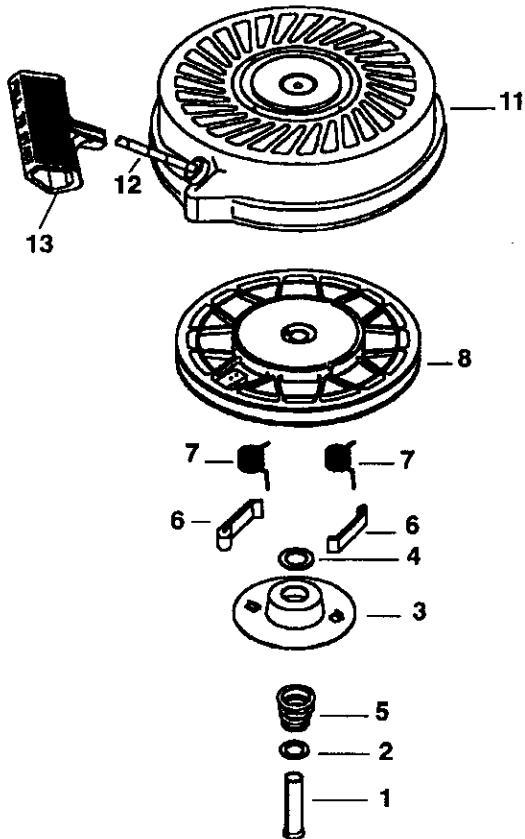
CRAFTSMAN 4-CYCLE ENGINE MODEL NUMBER: 143.984001

REF. NO.	PART NO.	PART NAME	REF. NO.	PART NO.	PART NAME
1	36560	Cylinder (Incl. 2,20,72 &125)			(RJ17LM)
2	26727	Dowel Pin	150	31672	Valve Spring
14	28277	Washer	151	31673	Valve Spring Cap
15	31334	Governor Rod	169 *	27234A	Valve Cover Gasket
16	31336	Governor Lever	170	27666	Breather Body
17	31335	Governor Lever Clamp	171	31410	Breather Element
18	651018	Screw, 8-32 x 19/64"	172	34146	Valve Cover
19	34593	Extension Spring	173	32447	Breather Tube
20	32600	Oil Seal	173A	32446	Breather Tube Grommet
25	36552	Blower Housing Baffle (Incl. 262)	174	650783	Screw 10-24 x 3/4"
25A	35883	Baffle Extension	178	29752	Nut & Lock Washer 1/4-28
26	650802	Screw, 1/4-20 x 5/16"	179	30593	Retainer Clip
26A	650926	Screw, 8-32 x 21/64"	182	6201	Screw 1/4-28 x 7/8"
30	35902	Crankshaft	184 *	26756	Carburetor to intake Pipe Gasket
40	40020	Piston,Pin&Ring Set(std)	185	36703	Intake Pipe (Inc. 182, 184,224)
40	40021	Piston,Pin & Ring Set (0.010 OS)	186	31341	Governor Link
41	40018	Piston & Ring Assy (Std) (Incl 43)	200	36677	Control Bracket (Incl. 203 thru 209A)
41	40019	Piston & Pin Assy (.010" OS) Incl 43	203	31342	Compression Spring
42	40022	Ring Set (Std)	204	651029	Screw, Torx T-10, 5-40 x 7/16"
42	40023	Ring Set (.010" OS)	206	610973	Terminal
43	20381	Piston Pin Retain Ring	209	650139	Screw 8-32 x 1/2"
45	30963B	Connecting Rod Assy (Incl 46 & 49)	209A	30322	Lock Nut 8-32
46	32610A	Connecting Rod Bolt	215	32410	Control Knob
48	27241	Valve Lifter	223	650451	Screw 1/4-20 x 1"
49	28594	Oil Dipper	224 *	26754A	Intake Pipe Gasket
50	32197A	Camshaft (MCR)	238	650932	Screw 10-32 x 49/64"
60	29745	Blower Housing Ext.	239 *	34338	Air Cleaner Gasket
65	650128	Screw, 10-24 x 1/2"	241	35797	Air Cleaner Collar
69 *	27677A	Cylinder Cover Gasket	245	35066	Air Cleaner Filter
70	34863A	Cylinder Cover (Incl 75 thru 83, 311)	250	35065	Air Cleaner Cover
72	27642	Oil Drain Plug	260	35585	Blower Housing
75	26208	Oil Seal	262	650737	Screw 1/4-20 x 1/2"
80	30574A	Governor Shaft	275	40000	Muffler
81	30590A	Washer	277	650988	Screw 1/4-20 x 2-5/16"
82	30591	Governor Gear Assy (Incl 81)	285	36467A	Starter Cup
83	30588A	Governor Spool	287	650926	Screw 8-32 x 21/64"
86	650488	Screw 1/4-20 x 1-1/4"	290	29774	Fuel Line
89	610961	Flywheel Key	292	26460	Fuel Line Clamp
90	611195	Flywheel	298	650665	Screw, 1/4-15 x 7/8"
92	650815	Belleville Washer	300	35591	Fuel Tank(In 292&301)
93	650816	Flywheel Nut	301	36246	Fuel Cap
100	34443A	Solid State Ignition	305	35554	Oil Fill Tube
102	651024	Solid State Mounting Stud	307	35499	"O" Ring
103	651007	Screw, Torx T-15, 10-24 x 15/16"	308	35539	Fill Tube Clip
110	35182	Ground Wire	310	35582	Dipstick
119 *	36437	Cylinder Head Gasket	313	34080	Spacer
120	36438	Cylinder Head (Inc. 130)	339	28212	Spacer
125	36471	Exhaust Valve (Std) (Incl.151)	340	35926	Fuel Tank Bracket
125	36472	Exhaust Valve (1/32" OS) (Incl 151)	342	650751	Screw, 1/4-20 x 7/16"
126	29314B	Intake Valve (Std) (Incl 151)	345	32664	Baffle Heat
126	29315C	Intake Valve (1/32" OS) (Incl 151)	370A	36261	Lubrication Decal
130	650694A	Screw 5/16-18 x 2"	370B	35703	Control Decal
130A	6021A	Screw, 5/16-18 x 1-1/2"	370C	36861	Primer Decal
132	650708	Washer	370K	36695	Starter Decal
135	33636	Resistor Spark Plug	380	640049	Carburetor (Incl 184)
			390 ◊	590732	Rewind Starter
			400	36439	Gasket Set
			416	35085	Includes items marked*
			417	650760	Spark Arrestor Kit Incl 417 (Opt)
					Screw, 8-32x3/8" (Opt)

◊This engine could have been built with 590738starter.

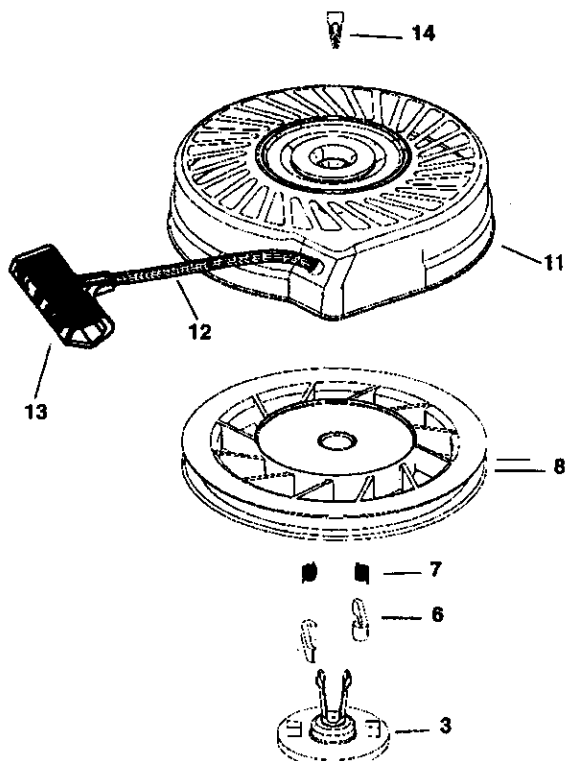
CRAFTSMAN 4-CYCLE ENGINE MODEL NUMBER: 143.984001

Starter No. 590732



REF. NO.	PART NO.	PART NAME
	590732	Rewind Starter
1	590599A	Spring Pin (Incl.4)
2	590600	Washer
3	590696	Retainer
4	590601	Washer
5	590697	Brake Spring
6	590698	Starter Dog
7	590699	Dog Spring
8	590700	Pulley & Rewind Sprg Assy.
11	590695	Starter Housing Assy (40° grommet)
12	590535	Starter Rope
13	590701	Starter Handle

Starter No. 590738 (optional)



REF. NO.	PART NO.	PART NAME
	590738	Rewind Starter
3	590740	Retainer
6	590616	Starter Dog
7	590617	Dog Spring
8	590618A	Pulley & Rewind Spring Assy
11	590687A	Starter Housing Assy
12	590535	Starter Rope
13	590701	Starter Handle
14	590741	Locking Tab

NOTES

NOTES

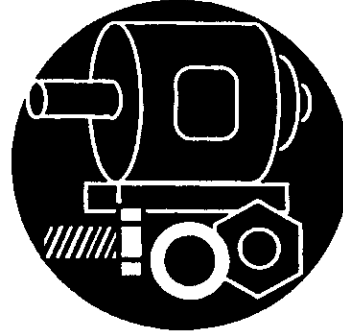
NOTES

For the repair or replacement parts you need delivered directly to your home
Call 7 am-7 pm, 7 days a week

1-800-366-PART

(1-800-366-7278)

Para ordenar piezas con entrega a domicilio -1-800-659-7084



For in-house major brand repair service
Call 24 hours a day, 7 days a week

1-800-4-REPAIR

(1-800-473-7247)

Para pedir servicio de reparación a domicilio - 1-800-676-5811



For the location of a Sears Parts and Repair Center in your area

Call 24 hours a day, 7 days a week

1-800-488-1222



For information on purchasing a Sears Maintenance Agreement or to inquire about an existing Agreement

Call 9 am-5 pm, Monday-Saturday

1-800-827-6655



When requesting service or ordering parts, always provide the following information:

- Product Type
- Part Number
- Model Number
- Part Description

SEARS
REPAIR SERVICES

America's Repair Specialists