

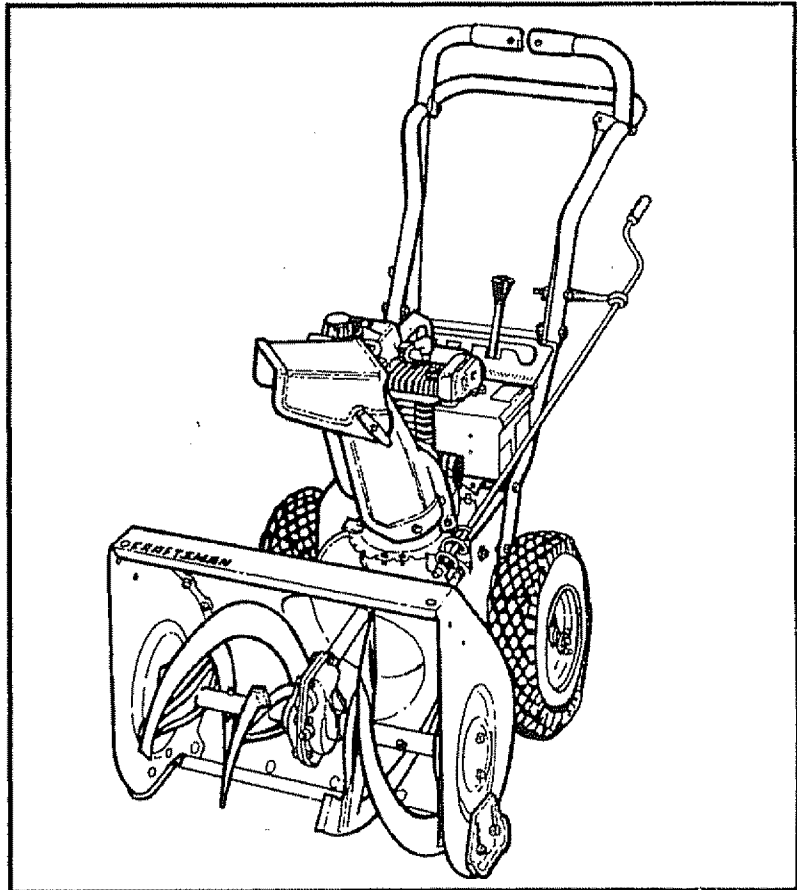
IMPORTANT MANUAL

DO NOT THROW AWAY

**SEARS
OWNER'S
MANUAL**

**MODEL NO.
536.886120**

**Caution:
Read and Follow
All Safety Rules
and Instructions
Before Operating
This Equipment**



CRAFTSMAN®

**5 HORSEPOWER
22" DUAL STAGE
SNOW THROWER
120V. ELECTRIC START**

- Assembly
- Operation
- Customer Responsibilities
- Service and Adjustments
- Repair Parts

SEARS, ROEBUCK AND CO., Hoffman Estates, IL 60179 U.S.A.

SAFETY RULES



CAUTION: ALWAYS DISCONNECT SPARK PLUG WIRE AND PLACE WIRE WHERE IT CANNOT CONTACT SPARK PLUG TO PREVENT ACCIDENTAL STARTING WHEN SETTING-UP, TRANSPORTING, ADJUSTING OR MAKING REPAIRS.



IMPORTANT

SAFETY STANDARDS REQUIRE OPERATOR PRESENCE CONTROLS TO MINIMIZE THE RISK OF INJURY. YOUR SNOW THROWER IS EQUIPPED WITH SUCH CONTROLS. DO NOT ATTEMPT TO DEFEAT THE FUNCTION OF THE OPERATOR PRESENCE CONTROL UNDER ANY CIRCUMSTANCES.

TRAINING

1. Read the operator's manual carefully. Be thoroughly familiar with the controls and the proper use of the snow thrower. Know how to stop the snow thrower and disengage the controls quickly.
2. Never allow children to operate the snow thrower and keep them away while it is operating. Never allow adults to operate the snow thrower without proper instruction. Do not carry passengers.
3. Keep the area of operation clear of all persons, particularly small children, and pets.
4. Exercise caution to avoid slipping or falling, especially when operating in reverse.

PREPARATION

1. Thoroughly inspect the area where the snow thrower is to be used and remove all doormats, sleds, boards, wires, and other foreign objects.
2. Disengage all clutches and shift into neutral before starting the engine (motor).
3. Do not operate the snow thrower without wearing adequate winter outer garments. Wear footwear that will improve footing on slippery surfaces.
4. Handle fuel with care; it is highly flammable.
 - (a) Use an approved fuel container.
 - (b) Never remove fuel tank cap or add fuel to a running engine or hot engine.
 - (c) Fill fuel tank outdoors with extreme care. Never fill fuel tank indoors.
 - (d) Replace fuel tank cap securely and wipe up spilled fuel.
 - (e) Never store fuel or snow thrower with fuel in the tank inside of a building where fumes may reach an open flame or spark.
 - (f) Check fuel supply before each use, allowing space for expansion as the heat of the engine (motor) and/or sun can cause fuel to expand.
5. Use extension cords and receptacles as specified by the manufacturer for all snow throwers with electric drive motors or electric starting motors.

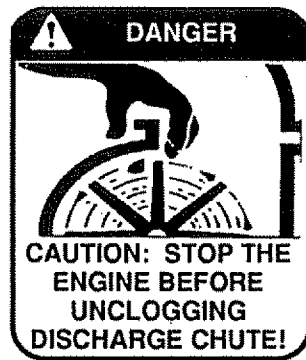
6. Adjust the snow thrower height to clear gravel or crushed rock surfaces.
7. Never attempt to make any adjustments while the engine (motor) is running (except when specifically recommended by the manufacturer).
8. Let engine (motor) and snow thrower adjust to outdoor temperatures before starting to clear snow.
9. Always wear safety glasses or eye shields during operation or while performing an adjustment or repair to protect eyes from foreign objects that may be thrown from the snow thrower.

OPERATION

1. Do not put hands or feet near or under rotating parts. Keep clear of the discharge opening at all times.
2. Exercise extreme caution when operating on or crossing gravel drives, walks, or roads. Stay alert for hidden hazards or traffic.
3. After striking a foreign object, stop the engine (motor), remove the wire from the spark plug, disconnect the cord on electric motors, thoroughly inspect the snow thrower for any damage, and repair the damage before restarting and operating the snow thrower.
4. If the snow thrower should start to vibrate abnormally, stop the (motor) and check immediately for the cause. Vibration is generally a warning of trouble.
5. Stop the engine (motor) whenever you leave the operating position, before unclogging the auger/impeller housing or discharge guide, and when making any repairs, adjustments, or inspections.
6. When cleaning, repairing, or inspecting, make certain the auger/impeller and all moving parts have stopped. Disconnect the spark plug wire and keep the wire away from the plug to prevent accidental starting.
7. Take all possible precautions when leaving the snow thrower unattended. Disengage the auger/impeller, shift to neutral, stop engine, and remove key.

SAFETY RULES

8. Do not run the engine indoors, except when starting the engine and for transporting the snow thrower in or out of the building. Open the outside doors; exhaust fumes are dangerous (containing CARBON MONOXIDE, an ODORLESS and DEADLY GAS).
9. Do not clear snow across the face of slopes. Exercise caution when changing direction on slopes. Do not attempt to clear steep slopes.
10. Never operate the snow thrower without proper guards, plates or other safety protective devices in place.
11. Never operate the snow thrower near glass enclosures, automobiles, window wells, drop-offs, and the like without proper adjustment of the snow discharge angle. Keep children and pets away.
12. Do not overload the machine capacity by attempting to clear snow at too fast a rate.
13. Never operate the snow thrower at high transport speeds on slippery surfaces. Look behind and use care when backing.
14. Never direct discharge at bystanders or allow anyone in front of the snow thrower.
15. Disengage power to the auger/impeller when snow thrower is transported or not in use.
16. Use only attachments and accessories approved by the manufacturer of the snow thrower (such as tire chains, electric start kits, etc.).
17. Never operate the snow thrower without good visibility or light. Always be sure of your footing, and keep a firm hold on the handles. Walk; never run.



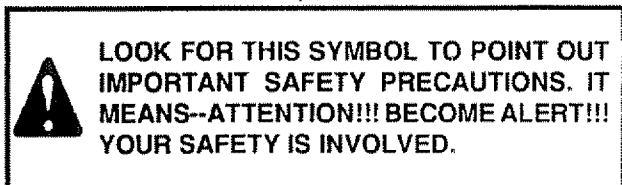
MAINTENANCE AND STORAGE

1. Check shear bolts and other bolts at frequent intervals for improper tightness to be sure the snow thrower is in safe working condition.
2. Never store the snow thrower with fuel in the fuel tank inside a building where ignition sources are present such as hot water and space heaters, clothes dryers, and the like. Allow the engine to cool before storing in any enclosure.
3. Always refer to operator's manual instructions for important details if the snow thrower is to be stored for an extended period.
4. Maintain or replace safety and instruction labels, as necessary.
5. Run the snow thrower a few minutes after throwing snow to prevent freeze-up of the auger/impeller.

WARNING

This snow thrower is for use on sidewalks, driveways, and other ground level surfaces.

CAUTION should be exercised while using on steep sloping surfaces. **DO NOT USE SNOW THROWER ON SURFACES ABOVE GROUND LEVEL** such as roofs of residences, garages, porches or other such structures or buildings.



CONGRATULATIONS on your purchase of a Sears Craftsman Snow Thrower. It has been designed, engineered and manufactured to give you the best possible dependability and performance.

Should you experience any problem you cannot easily remedy, please contact your nearest Sears Service Center/Department. Sears has competent, well-trained technicians and the proper tools to service or repair this unit.

Please read and retain this manual. The instructions will enable you to assemble and maintain your snow thrower properly. Always observe the "SAFETY RULES."

MODEL
NUMBER 536.886120

SERIAL
NUMBER _____

DATE OF
PURCHASE _____

THE MODEL AND SERIAL NUMBERS WILL BE FOUND ON A DECAL ATTACHED TO THE REAR OF THE SNOW THROWER HOUSING.

YOU SHOULD RECORD BOTH SERIAL NUMBER AND DATE OF PURCHASE AND KEEP IN A SAFE PLACE FOR FUTURE REFERENCE.

PRODUCT SPECIFICATIONS

HORSE POWER:	5 hp
DISPLACEMENT:	12.04 cu. in.
GASOLINE CAPACITY:	2 quarts Unleaded
OIL (21 oz. Capacity):	SAE 5W-30
SPARK PLUG : (GAP .030 in.)	Champion RJ19LM
VALVE CLEARANCE:	Intake: .010 in. Exhaust: .010 in.

MAINTENANCE AGREEMENT

A Sears Maintenance Agreement is available on this product. Contact your nearest Sears Store for details.

CUSTOMER RESPONSIBILITIES

- Read and observe the safety rules.
- Follow a regular schedule in maintaining, caring for and using your snow thrower.
- Follow the instructions under "Customer Responsibilities" and "Storage" sections of this owner's manual.

TWO YEAR LIMITED WARRANTY ON CRAFTSMAN SNOW THROWER

For two years from the date of purchase, when this Craftsman Snow Thrower is maintained, lubricated and tuned-up according to the instructions in the owner's manual, Sears will repair, free of charge, any defect in material and workmanship.

If this Craftsman Snow Thrower is used for commercial or rental purposes, this warranty applies for only 90 days from the date of purchase.

This warranty does not cover the following:

- Expendable items which become worn during normal use, such as spark plugs, drive belts and shear pins.
- Repairs necessary because of operator abuse or negligence, including bent crankshafts and the failure to maintain the equipment according to the instructions contained in the owner's manual.

WARRANTY SERVICE IS AVAILABLE BY RETURNING THE CRAFTSMAN SNOW THROWER TO THE NEAREST SEARS SERVICE CENTER/DEPARTMENT IN THE UNITED STATES. THIS WARRANTY APPLIES ONLY WHILE THIS PRODUCT IS IN USE IN THE UNITED STATES

This warranty gives you specific legal rights, and you may also have other rights which may vary from state to state.

SEARS, ROEBUCK AND CO. Department D/817WA, Hoffman Estates, IL 60179

TABLE OF CONTENTS

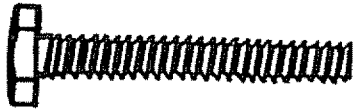
SAFETY RULES	2,3	OPERATION	10-14
PRODUCT SPECIFICATIONS	4	SERVICE AND ADJUSTMENTS	18-24
CUSTOMER RESPONSIBILITIES	4,15-17	STORAGE	25
WARRANTY	4	TROUBLE SHOOTING	26
TABLE OF CONTENTS	5	REPAIR PARTS (SNOW THROWER)	28-39
INDEX	5	REPAIR PARTS (ENGINE)	40-43
ASSEMBLY	6-9	PARTS ORDERING/SERVICE	44

INDEX

<p>A</p> <p>Adjustment:</p> <ul style="list-style-type: none"> Belt 19,20 Belt Guide 21 Cable 19 Carburetor 23 Friction Wheel 20,21 Spark Plug 23 Traction and Auger 19,20 <p>Assembly:</p> <ul style="list-style-type: none"> Crank Assembly 8-9 Shifter Lever 9 Skid Height Adjustment 7, 19 Unpacking 7 <p>B</p> <p>Belts:</p> <ul style="list-style-type: none"> Adjust Belts 19,20 Belt Guide Adjustment 21 Replace Belts 20 <p>C</p> <p>Cables, Clutch 7, 9, 19</p> <p>Carburetor: 24</p> <p>Choke 10, 11, 13,14</p> <p>Clutch, Levers 10, 11</p> <p>Controls:</p> <ul style="list-style-type: none"> Engine 10, 11, 13, 14 Snow Thrower 10 <p>Crank:</p> <ul style="list-style-type: none"> Assembly 8 Operation 11 <p>Customer Responsibilities 4,15-17</p> <ul style="list-style-type: none"> Agreement 4 Auger Gear Box 17 Auger Shaft 16 Engine 17 General Recommendations 16 Hex Shaft and Gears 17 <p>D</p> <p>Drive, Auger 11</p> <p>Drive, Traction 11</p> <p>Deflector, Snow Chute 11</p> <p>E</p> <p>Engine:</p> <ul style="list-style-type: none"> Control 10, 11, 13, 14 Oil Cap 12, 17 Oil Change 16 Oil Level 12, 17 Oil Type 4, 12, 17 Speed Governor 26 Starting, Electrically 13 Starting, Manually 14 Storage 25 	<p>F</p> <p>Fuel, Type 4, 12</p> <p>Fuel, Storage 12, 25</p> <p>Friction Wheel:</p> <ul style="list-style-type: none"> Adjustment 21 Replacement 22 <p>G</p> <p>Gears:</p> <ul style="list-style-type: none"> Auger Gear Box 17 Hex Shaft 17 <p>H</p> <p>Handle, Upper and Lower 7</p> <p>Height Adjust Skids 7, 18</p> <p>Hex Shaft 17</p> <p>I</p> <p>Ignition, Key 10, 11, 13, 14</p> <p>Index 5</p> <p>L</p> <p>Levers:</p> <ul style="list-style-type: none"> Auger Drive Clutch 7, 10, 11, 19 Choke 10, 11, 13, 14 Shifter 9, 10, 11 Throttle Control 10, 11, 13, 14 Traction Drive Clutch 7, 10, 11, 19 <p>Lubrication:</p> <ul style="list-style-type: none"> Auger Gear Box 17 Auger Shaft 16 Disc Drive Plate 16 Engine 12,17,25 Hex Shaft and Gears 17 <p>O</p> <p>Oil:</p> <ul style="list-style-type: none"> Engine 4, 12, 17 Extreme Cold Weather 12,17 Storage 25 Type 4, 12, 17 <p>Operation:</p> <ul style="list-style-type: none"> Engine Controls 10, 11, 13,14 Operating Snow Thrower 11, 12, 15 Lockout Pin, Wheel 12 Operating Tips 14 Starting the Engine, Electric 13 Starting the Engine, Recoil 14 Snow Thrower Controls 10-12 <p>P</p> <p>Parts 28-43</p> <p>Primer Button 10, 11, 13</p> <p>R</p> <p>Repair/Replacement Parts 28-42</p> <p>Recoil Starter 13</p>	<p>Replacements:</p> <ul style="list-style-type: none"> Auger Shear Bolt 23 Belts 19,20 Friction Wheel 21,22 <p>S</p> <p>Safety Rules 2, 3</p> <p>Service and Adjustments:</p> <ul style="list-style-type: none"> Auger Housing Height 7, 18 Auger Shear Bolt 23 Belts 19-20 Belt Guide 21 Belt Replacements 20 Cable 7, 9, 19 Carburetor 13,23, 25 Friction Wheel 21, 22 Spark Plug 24 <p>Service Recommendations 25</p> <p>Spark Plug 17, 24</p> <p>Specifications 4</p> <p>Speed Governor 23</p> <p>Starting the Engine:</p> <ul style="list-style-type: none"> Recoil Start 13 <p>Stopping the Engine 13, 14</p> <p>Stopping the Snow Thrower 11</p> <p>Shipping Carton 6, 7</p> <p>Skid Height 7, 18</p> <p>Shifter Lever 9-11</p> <p>Shear Bolts 23</p> <p>Storage 25</p> <p>T</p> <p>Table of Contents 5</p> <p>Trouble Shooting Chart 26</p> <p>Tools for Assembly 6</p> <p>Traction Drive Belt 19, 20</p> <p>Tire Pressure 18</p> <p>W</p> <p>Warranty 4</p> <p>Wheel, Lockout Pin 12</p>
---	---	--

CONTENTS OF HARDWARE PACK

CONTENTS OF PARTS BAG



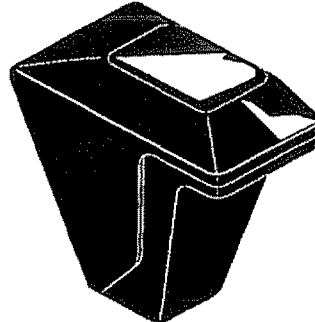
*2 - Spare Shear Bolts
(1/4-20 x 1-3/4 In.)



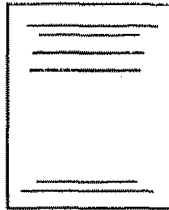
*2 - Spare Spacers



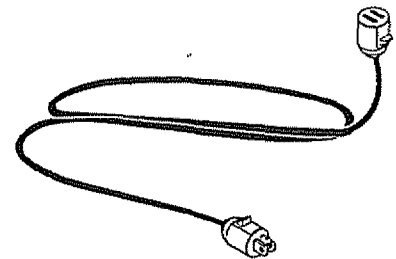
*2 - Spare 1/4 - 20 Locknuts



1 - Knob With Threads (not shown actual size)



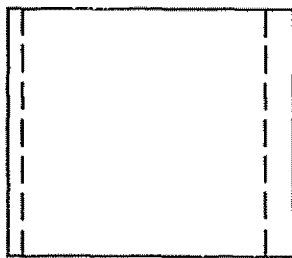
1 - Owner's manual (not shown actual size)



1 - Starter Motor Cord (not shown actual size)

*Non-Assembly Parts

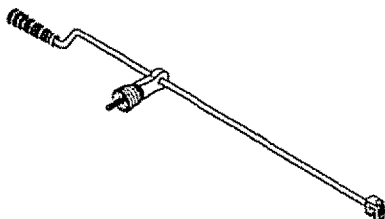
Parts packed separately in carton (not shown full size)



1 - Parts Bag



1 - 5W30 container oil



1 - Crank Assembly



2 - Ignition Keys (Attached to engine in plastic bag)

ASSEMBLY

TOOLS REQUIRED FOR ASSEMBLY

- 1 - Knife (to cut carton and plastic ties)
- 2 - 1/2 inch wrenches (or adjustable wrenches)
- 2 - 9/16 inch wrenches (or adjustable wrenches)
- 2 - 3/4 inch wrenches (or adjustable wrenches)
- 1 - Pliers (to spread cotter pin)
- 1 - Screwdriver
- 1 - Measuring Tape or Ruler

Figure 1 shows the snow thrower in the shipping position.

Figure 2 shows the snow thrower completely assembled.

Reference to the right and left hand side of the snow thrower is from the operator's position at the handle.

TO REMOVE SNOW THROWER FROM CARTON (See Fig. 1)

- Locate and remove container of 5W30 oil.
- Locate the crank assembly and place the assembly aside.
- Remove and discard the packing material from around snow thrower.
- Cut all four corners of the carton from top to bottom and lay the panels flat.
- Cut ties securing the clutch control cables to the lower handle and lay cables back away from the motor frame.
- Roll the snowthrower off the carton by pulling on the lower handle. **CAUTION: DO NOT** back over cable.
- To complete upper handle installation and install chute crank assembly, see To Install The Upper Handle and Crank Assembly paragraph on page 8.

NOTE: If the cables have become disconnected from the clutch levers, reinstall the cables as shown in Fig. 3 and Fig. 3A.

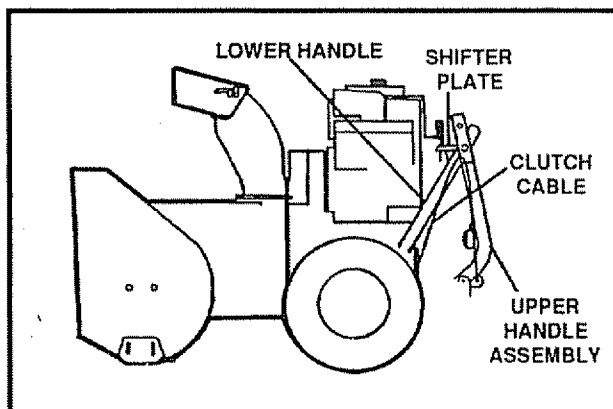


FIG. 1

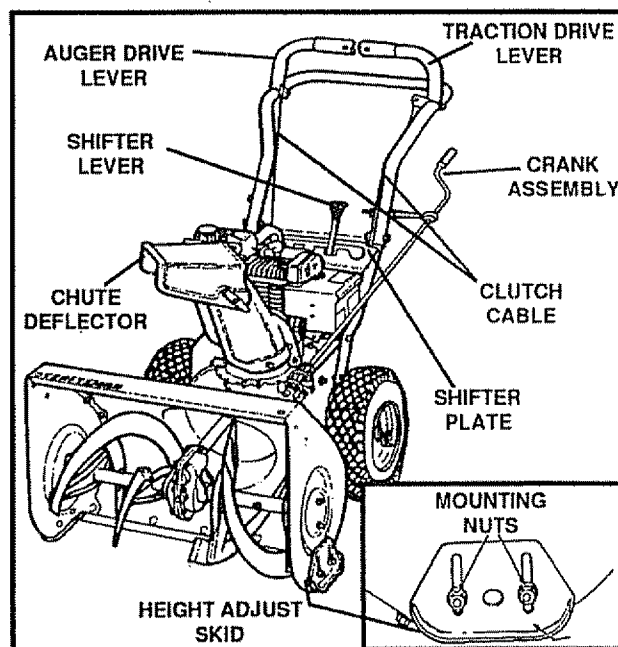


FIG. 2

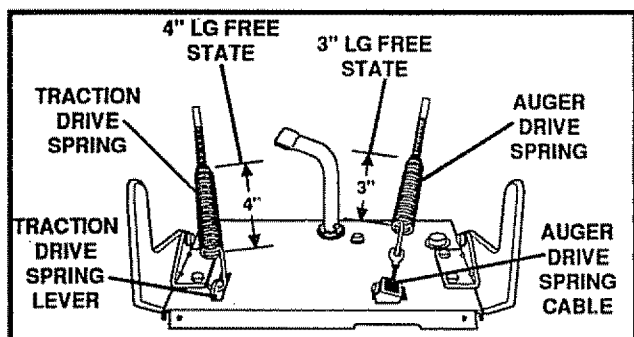


FIG. 3A

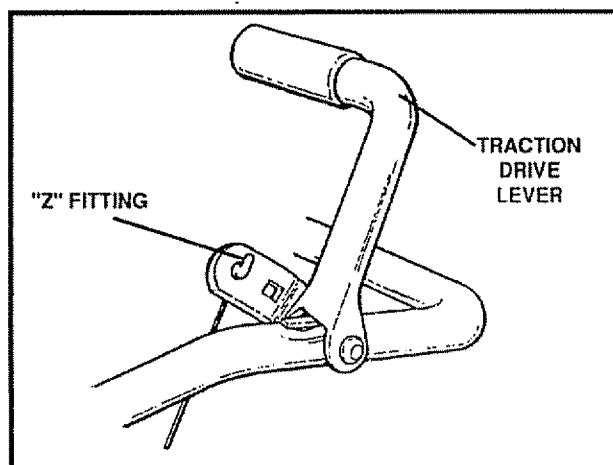


FIG. 3



CAUTION: IF YOU ARE REMOVING SNOW FROM ANY GRAVELED OR UNEVEN SURFACE, RAISE THE FRONT OF THE SNOW THROWER BY MOVING THE SKIDS DOWN. THIS WILL HELP TO PREVENT STONES AND OTHER DEBRIS FROM BEING PICKED UP AND THROWN BY THE AUGER.

ASSEMBLY

HOW TO SET UP YOUR SNOW THROWER

- Your snow thrower is equipped with height adjust skids (See Fig. 2) on the outside of the auger housing. To adjust the skid height for different conditions, see To Adjust Skid Height paragraph on page 18.

TO INSTALL THE UPPER HANDLE AND CRANK ASSEMBLY

- Remove the screws, flatwashers, lockwashers, and hex nuts securing the shifter plate in the lower holes of the lower handle and move shift lever to 3rd gear (See Fig. 4A).
- Loosen, but do not remove, the screws, flatwashers, lockwashers, and hex nuts in the upper holes of the lower handle.
- Raise upper handle into operating position. Upper handle should be to the outside of the lower handle and shifter plate to the inside.
- Replace the right hand screw, flatwasher, lockwasher, and hex nut through the handle and shifter plate. Do not tighten until all bolts are in place.

NOTE: Unless you have the assistance of another person, it may be easier to install one side of the handle at a time.

- Remove the 3/8" nylon locknut and flatwasher from the eye bolt assembly (on the chute crank assembly removed earlier). Check to make sure the two 3/8" jam nuts are tight. The jam nuts should be 2.75 inches from the end of the eye bolt. (See Fig. 4B).
- Install eye bolt through lower hole in the left hand side of the handle and shifter plate (See Fig. 4B).
- Install the 3/8" flatwasher and the 3/8" nylon locknut loosely on the eye bolt as shown in FIG. 4B.
- Tighten nut on eye bolt installed earlier, keeping eye in line with the rod while tightening the inside securely
- Carefully remove cotter pin, clevis pin and drilled pin from yoke end of crank rod assembly.
- Place universal joint into end of worm gear lining up large holes. Insert drilled pin (ensure opening in pin is in line with small openings in universal joint).
- Place yoke end of crank rod around universal joint, lining up openings. Insert clevis pin through assembly and secure with cotter pin. Spread ends of cotter pin to lock in place.
- Tighten the screw, flatwasher, lockwasher and hex nut at the lower right hand hole (See Fig. 4A).

NOTE: Make sure the cables are not caught between the upper and lower handle.

- Tighten two upper handle bolts.

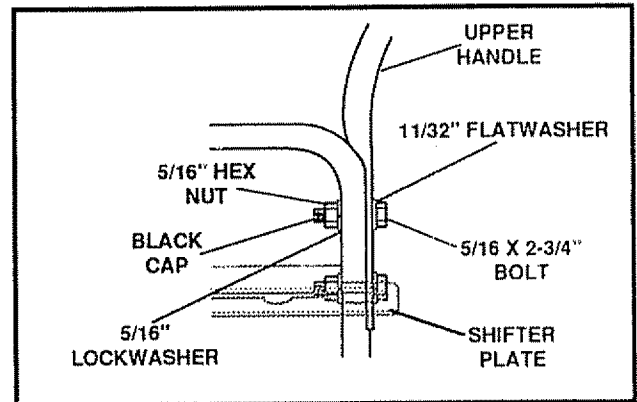


FIG. 4A

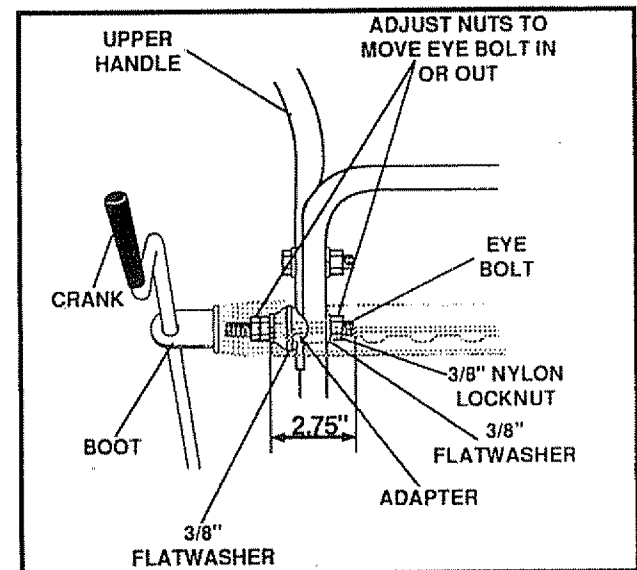


FIG. 4B

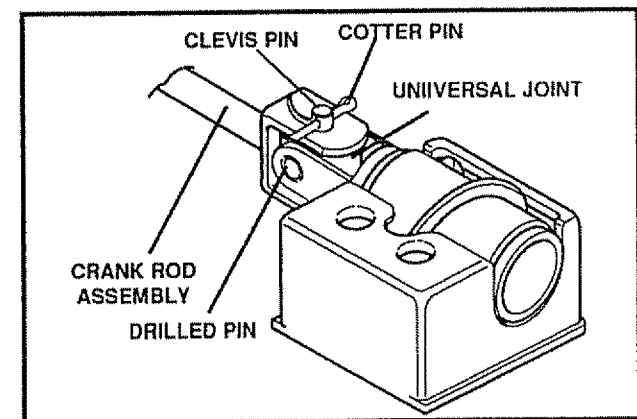


FIG. 5

- Check chute crank rod assembly for proper operation. Rotate the chute crank fully clockwise and fully counter-clockwise. Discharge chute should rotate fully to the left and fully to the right without the chute crank binding.

NOTE: Be sure the crank does not touch the side of the engine or the cover will be scratched.

ASSEMBLY

TO INSTALL SHIFTER LEVER KNOB

- Thread the shifter lever knob onto the threaded end of the shifter lever until it is snug against the hex nut and the lip is pointed toward the engine. Tighten the hex nut against the bottom of the shift lever knob (See Fig. 6).

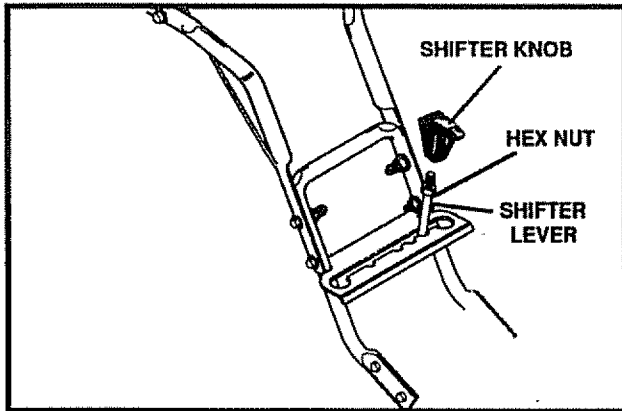


FIG. 6

TO CHECK/ADJUST CLUTCH CONTROL CABLES

The control cables, Fig. 7, attached to the auger clutch lever and traction clutch lever may need to be adjusted before you use your snow thrower.

For instructions on checking or adjusting the control cables, see To Adjust Clutch Control Cables paragraph on page 19.

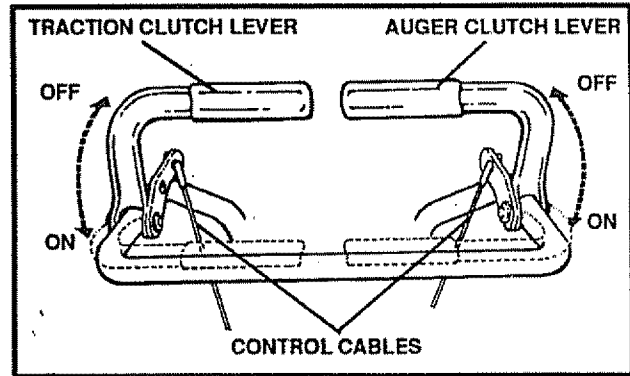


FIG. 7

✓ CHECKLIST

BEFORE YOU OPERATE AND ENJOY YOUR NEW SNOW THROWER, WE WISH TO ASSURE THAT YOU RECEIVE THE BEST PERFORMANCE AND SATISFACTION FROM THIS QUALITY PRODUCT.

PLEASE REVIEW THE FOLLOWING CHECKLIST:

- ✓ All assembly instructions have been completed.
- ✓ The discharge chute rotates freely.
- ✓ No remaining loose parts in carton.

WHILE LEARNING HOW TO USE YOUR SNOW THROWER, PAY EXTRA ATTENTION TO THE FOLLOWING IMPORTANT ITEMS:

- ✓✓ Engine oil is at proper level.
- ✓✓ Make sure gas tank is filled properly with clean, fresh, unleaded gasoline.
- ✓✓ Become familiar with all controls-their location and function. Operate controls before starting engine.

OPERATION

KNOW YOUR SNOW THROWER

READ THIS OWNER'S MANUAL AND SAFETY RULES BEFORE OPERATING YOUR SNOW THROWER. Compare the illustrations with your snow thrower to familiarize yourself with the location of various controls and adjustments. Save this manual for future reference.

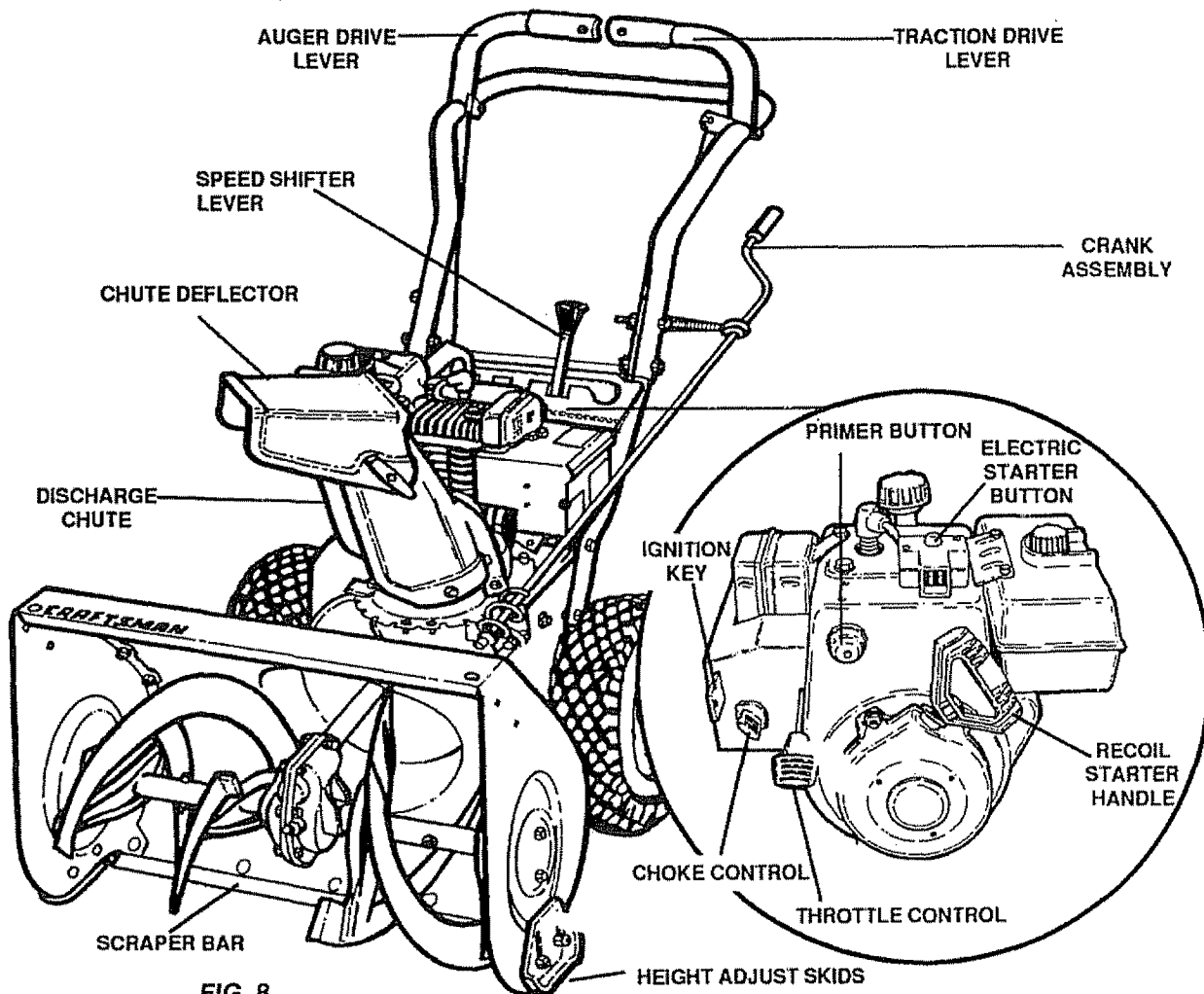


FIG. 8

SEARS SNOW THROWERS conform to the safety standards of the American National Standards Institute, B71.3-1984.

AUGER DRIVE LEVER - Starts and stops the auger and impeller (snow gathering and throwing).

TRACTION DRIVE LEVER - Propels the snow thrower forward and in reverse.

SPEED SHIFTER LEVER - Selects the speed of the snow thrower (6 speeds forward and 2 speeds reverse).

CRANK ASSEMBLY - Changes the direction of snow throwing through the discharge chute.

CHUTE DEFLECTOR - Changes the distance the snow is thrown.

DISCHARGE CHUTE - Changes the direction the snow is thrown.

HEIGHT ADJUST SKIDS - Adjusts the ground clearance of the auger housing.

IGNITION KEY - Must be inserted to start the engine.

RECOIL STARTER HANDLE - Starts the engine manually.

CHOKE CONTROL - Used to start a cold engine.

PRIMER BUTTON - Injects fuel directly into the carburetor manifold for fast starts in cold weather.

THROTTLE CONTROL - Controls the engine speed.

OPERATION



The operation of any snow thrower can result in foreign objects being thrown into the eyes, which can result in severe eye damage. Always wear safety glasses or eye shields while operating the snow thrower.

We recommend standard safety glasses available at SEARS Retail Stores or Service Centers.

HOW TO USE YOUR SNOW THROWER

TO STOP YOUR SNOW THROWER

- To stop throwing snow, release the auger drive lever (See Fig. 11).
- To stop the traction drive, release the traction drive lever. (See Figure 11).
- To stop the engine, push the throttle control lever to STOP and pull out the ignition key (See Fig. 10).

NOTE: DO NOT turn key.

TO CONTROL SNOW DISCHARGE

- Turn the crank assembly to set the **direction** of the snow throwing.
- Loosen the wing knob on the chute deflector and move the deflector to set the **distance**. Move the deflector **UP** for more distance, **DOWN** for less distance. Then tighten the wing knob (Fig. 9).

TO MOVE FORWARD AND BACKWARD

- To shift, release the traction drive lever and move the speed shifter lever to the speed you desire. Ground speed is determined by snow conditions. Select the speed you desire by moving the speed shifter lever left into the appropriate notch on the shift lever plate:

Speeds 1, 2 - Wet, Heavy, Extra Deep

Speed 3 - Light

Speed 4 - Very Light

Speeds 5, 6 - Transport only

- Engage the traction drive lever (See Fig. 11, left hand). As the snow thrower starts to move, maintain a firm hold on the handles, and guide the snow thrower along the clearing path. Do not attempt to push the snow thrower.
- To move the snow thrower backward, move the speed shifter lever right into first or second reverse and engage the traction drive lever (left hand).

IMPORTANT: NEVER MOVE THE SPEED SHIFTER LEVER WHILE THE TRACTION LEVER IS DOWN.

TO THROW SNOW

- Push down the auger drive lever (See Fig. 11, right hand).
- Release to stop throwing snow.

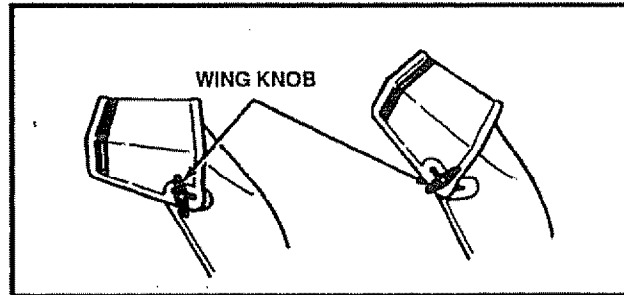


FIG. 9

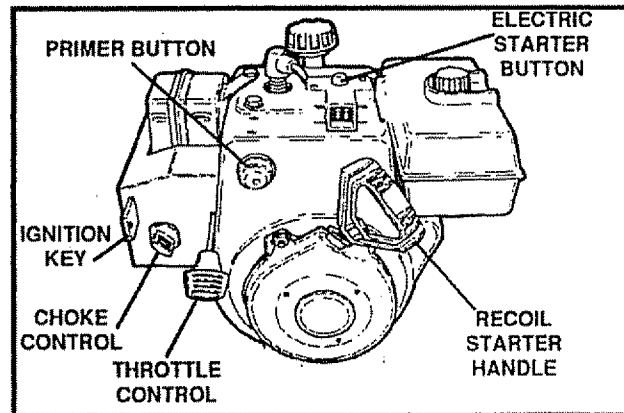


FIG. 10

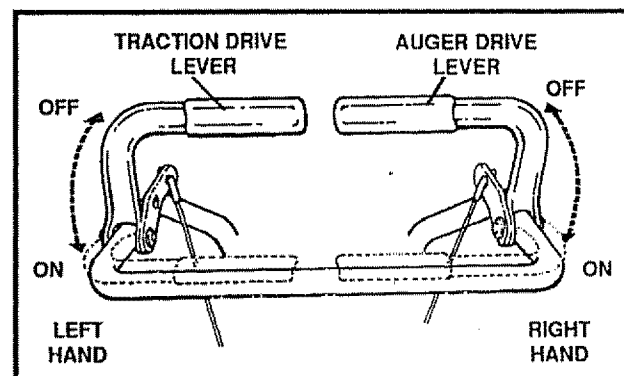


FIG. 11



CAUTION: READ OWNER'S MANUAL BEFORE OPERATING MACHINE. NEVER DIRECT DISCHARGE TOWARD BYSTANDERS. STOP THE ENGINE BEFORE UNCLOGGING DISCHARGE CHUTE OR AUGER HOUSING AND BEFORE LEAVING THE MACHINE.

OPERATION

TO USE WHEEL LOCKOUT PIN

- The left hand wheel is secured to the axle with a klick pin (See Fig. 12A). This unit was shipped with this klick pin in the locked (through wheel hole) position.
- For ease of maneuverability in light snow conditions, disconnect the klick pin from the wheel locked position and push into the single wheel drive (unlocked axle hole only) position (See Fig. 12B).
- Make sure that the klick pin is in the single wheel drive position of the axle only and not through the locked position.

BEFORE STARTING THE ENGINE

- If the snow thrower must be moved without the aid of the engine, it is easier to pull the snow thrower by the handles rather than pushing.
- Before you service or start the engine, familiarize yourself with the snow thrower. Be sure you understand the function and location of all controls.

NOTE: Check tension of clutch cables before starting the engine. (See To Adjust The Control Cables paragraph on page 19).

- Be sure that all fasteners are tight.
- Make sure the height adjust skids are properly adjusted (See To Adjust Skid Height paragraph on page 18).
- Check tire pressure (14 to 17 pounds). See side of tire for maximum inflation. Do not exceed maximum pressure.

FILL OIL:

This snow thrower was shipped with a container of 5W30 oil. This oil must be added to the engine before operating. Remove the oil fill cap/dipstick and fill the crank case to FULL line on dipstick (21 ounces) (See Fig. 14).

NOTE: Engine may already contain some residual oil. Check frequently when filling the crankcase. Do not over-fill.

Tighten the fill cap/dipstick securely each time you check the oil level.

NOTE: Oil must be changed after the first 2 hours of operation to extend engine life.

For extreme cold operating conditions of 0°F and below, use a partial synthetic 0W30 motor oil for easier starting.

FILL GAS:

Fill the fuel tank with clean, fresh, unleaded grade automotive gasoline. Be sure that the container you pour the gasoline from is clean and free from rust or other foreign particles. Never use gasoline that may be stale from long periods of storage in the container.

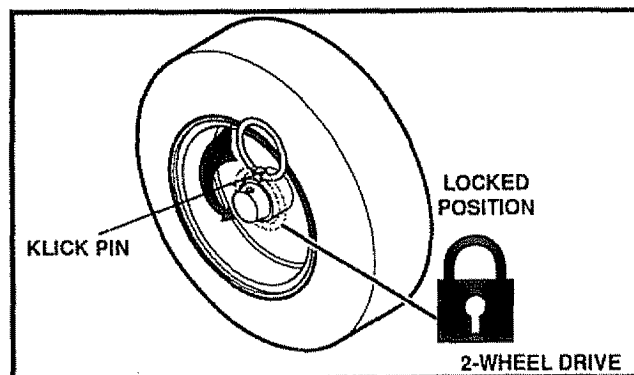


FIG. 12A

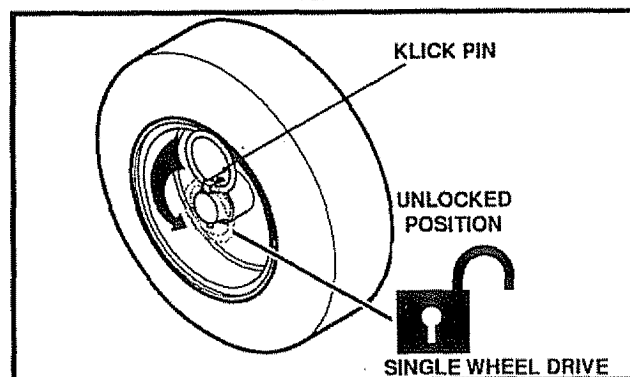


FIG. 12B

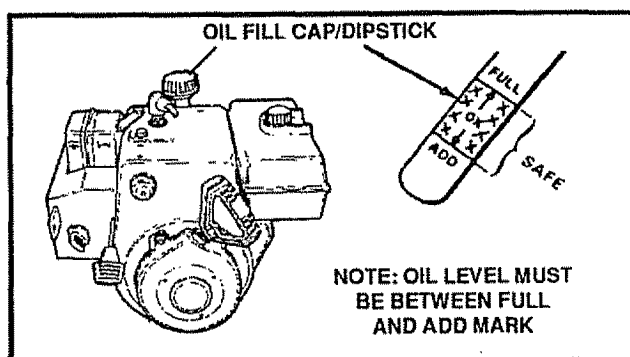


FIG.13

WARNING: Experience indicates that alcohol blended fuels (called gasohol or those using ethanol or methanol) can attract moisture which leads to separation and formation of acids during storage the fuel system of an engine while in storage. Acidic gas can damage the fuel system of an engine while in storage.

To avoid engine problems, the fuel system should be emptied before storage for 30 days or longer. Start the engine and let it run until the fuel lines and carburetor are empty. Use the carburetor bowl drain to empty residual gasoline from the float chamber (Fig. 37, page 25). Use fresh fuel next season. (See Storage instructions on page 25 for additional information.)

Never use engine or carburetor cleaner products in the fuel tank or permanent damage may occur.

OPERATION

TO STOP ENGINE

- To stop engine, move the throttle control lever to STOP position and remove key. Keep the key in a safe place. The engine will not start without the key.

TO START ENGINE (Electric Starter)

Be sure that the engine has sufficient oil. The snow thrower engine is equipped with a 120 volt A.C. electric starter and recoil starter. Before starting the engine, be certain that you have read the following information:

COLD START (See Fig. 14)

- Be sure the auger drive and traction drive levers are in the disengaged **RELEASED** position.
- Move the throttle control to **RUN** position.
- Remove the keys from the plastic bag. Insert one key into the ignition slot. Be sure it snaps into place. **DO NOT TURN KEY.** Keep the second key in a safe place.
- Rotate the choke knob to **FULL** choke position.
- Connect the power cord to the switch box on the engine.
- Plug the other end of the power cord into a three-hole, grounded 120 volt A.C. receptacle.
- Push the primer button while covering the vent hole as follows: (Remove finger from primer button between primes).
Do not prime if temperature is above 50°F.
Two times if temperature is 50°F to 15°F.
Four times if temperature is below 15°F.
- Push down on the starter button until the engine starts. Do not crank for more than 10 seconds at a time. This electric starter is thermally protected. If overheated it will stop automatically and can be restarted only when it has cooled to a safe temperature (a wait of about 5 to 10 minutes is required).
- When the engine starts, release the starter button and slowly rotate the choke to **OFF** position. If the engine falters, rotate the choke to **FULL** and then gradually to **OFF**.
- Disconnect the power cord from the receptacle first and then from the switch box on engine.

NOTE: Allow the engine to warm up for a few minutes because the engine will not develop full power until it reaches operating temperature.

- Run the engine at full throttle **RUN** when throwing snow.

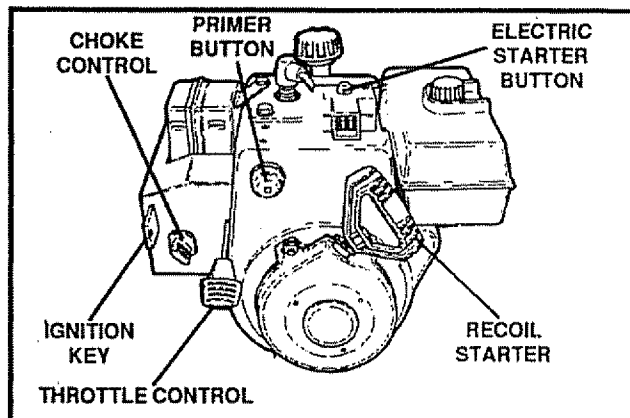


FIG.14



CAUTION: GASOLINE IS FLAMMABLE AND CAUTION MUST BE USED WHEN HANDLING OR STORING IT.

DO NOT FILL FUEL TANK WHILE SNOW THROWER IS RUNNING, WHEN IT IS HOT, OR WHEN SNOW THROWER IS IN AN ENCLOSED AREA.

KEEP AWAY FROM OPEN FLAME OR AN ELECTRICAL SPARK AND DO NOT SMOKE WHILE FILLING THE FUEL TANK.

NEVER FILL THE TANK COMPLETELY. FILL THE TANK TO WITHIN 1/4" - 1/2" FROM THE TOP TO PROVIDE SPACE FOR EXPANSION OF FUEL.

ALWAYS FILL FUEL TANK OUTDOORS AND USE A FUNNEL OR SPOUT TO PREVENT SPILLING.

MAKE SURE TO WIPE UP ANY SPILLED FUEL BEFORE STARTING THE ENGINE.

STORE GASOLINE IN A CLEAN, APPROVED CONTAINER AND KEEP THE CAP IN PLACE ON THE CONTAINER.

OPERATION



CAUTION: NEVER RUN ENGINE INDOORS OR IN ENCLOSED, POORLY VENTILATED AREAS. ENGINE EXHAUST CONTAINS CARBON MONOXIDE, AN ODORLESS AND DEADLY GAS. KEEP HANDS, FEET, HAIR AND LOOSE CLOTHING AWAY FROM ANY MOVING PARTS ON ENGINE AND SNOW THROWER. WARNING: TEMPERATURE OF MUFFLER AND NEARBY AREAS MAY EXCEED 150° F. AVOID THESE AREAS. DO NOT ALLOW CHILDREN OR YOUNG TEENAGERS TO OPERATE OR BE NEAR SNOW THROWER WHILE IT IS OPERATING.



CAUTION: DO NOT ATTEMPT TO REMOVE ANY ITEM THAT MAY BECOME LODGED IN AUGER WITHOUT TAKING THE FOLLOWING PRECAUTIONS:

- RELEASE AUGER DRIVE AND TRACTION DRIVE LEVERS.
- MOVE THROTTLE LEVER TO STOP POSITION.
- REMOVE (DO NOT TURN) IGNITION KEY.
- DISCONNECT SPARK PLUG WIRE.
- DO NOT PLACE YOUR HANDS IN THE AUGER OR DISCHARGE CHUTE. USE A PRY BAR.

TO START ENGINE (Recoil Starter)

Be sure that the engine has sufficient oil. Before starting the engine, be certain that you have read the following information:

COLD START (See Fig. 14)

- Be sure the auger drive and the traction drive levers are in the disengaged RELEASED position.
- Move the throttle control to RUN position.
- Pull the starter handle rapidly. Do not allow the handle to snap back, but allow it to rewind slowly while keeping a firm hold on the starter handle.
- As the engine warms up and begins to operate evenly, rotate the choke knob slowly to OFF position. If the engine falters, return to FULL choke, then slowly move to OFF choke position.

NOTE: Allow the engine to warm up for a few minutes because the engine will not develop full power until it reaches operating temperature.

- Run the engine at or near the top speed when throwing snow.

WARM START

If restarting a warm engine after a short shutdown, rotate choke to OFF instead of FULL and do not push the primer button.

FROZEN STARTER

If the starter is frozen and will not turn engine:

- Pull as much rope out of the starter as possible
- Release the starter handle and let it snap back against the starter.

If the engine still fails to start, push the primer button two or three times again and repeat the two previous steps until the engine starts. Then continue with the directions for cold start.

To help prevent possible freeze-up of recoil starter and engine controls, proceed as follows after each snow removal job.

- **With the engine running**, pull the starter rope hard with a continuous full arm stroke three or four times. Pulling of starter rope will produce a loud clattering sound. This is not harmful to the engine or starter.
- **With the engine not running**, wipe all snow and moisture from the carburetor cover in area of control levers. Also move throttle control, choke control, and starter handle several times.

SNOW THROWING TIPS

- For maximum snow thrower efficiency in removing snow, adjust ground speed, NEVER the throttle. Go slower in deep, freezing, or wet snow. If the track slips, reduce forward speed. The engine is designed to deliver maximum performance at full throttle and should be run at this power setting at all times
- Most efficient snow throwing is accomplished when the snow is removed immediately after it falls.
- For complete snow removal, slightly overlap each path previously taken.
- The snow should be discharged down wind whenever possible.
- For normal usage, set the skids so that the scraper bar is 1/8" above the skids. For extremely hardpacked snow surfaces, adjust the skids upward so that the scraper bar touches the ground.
- On gravel or crushed rock surfaces, set the skids at 1-1/4" below the scraper bar (see To Adjust Skid Height paragraph on page 18). Stones and gravel must not be picked up and thrown by the machine
- After the snow throwing job has been completed, allow the engine to idle for a few minutes, which will melt snow and accumulated ice off the engine.
- Clean the snow thrower thoroughly after each use.
- Remove ice and snow accumulation and all debris from the entire snow thrower, and flush with water (if possible) to remove all salt or other chemicals. Wipe snow thrower dry.

CUSTOMER RESPONSIBILITIES

SERVICE RECORDS Fill in dates as you complete regular service	SCHEDULE								SERVICE DATES			
	After First 2 hours	Before Each Use	As Needed	Every 5 Hours	Every 10 Hours	Every 25 Hours	Each Season	Before Storage				
Check Engine Oil Level		✓		✓			✓					
Change Engine Oil	✓					✓	✓					
Tighten All Screws and Nuts	✓		✓									
Lubricate All Pivot Points					✓			✓				
Lubricate Auger Shaft (See Shear Bolt Replacement)					✓			✓				
Lubricate Disc Drive Plate Zerk (See Customer Responsibilities)						✓		✓				
Check Auger Clutch Cable Adjustment (See Cable Adjustment)	✓						✓					
Check Traction Clutch Cable Adjustment (See Cable Adjustment)	✓						✓					
Adjust Drive Belts	✓					✓	✓					
Check Fuel		✓										
Drain Fuel								✓				
Replace Spark Plug						✓	✓					

GENERAL RECOMMENDATIONS

The warranty on this snow thrower does not cover items that have been subjected to operator abuse or negligence. To receive full value from the warranty, operator must maintain snow thrower as instructed in this manual.

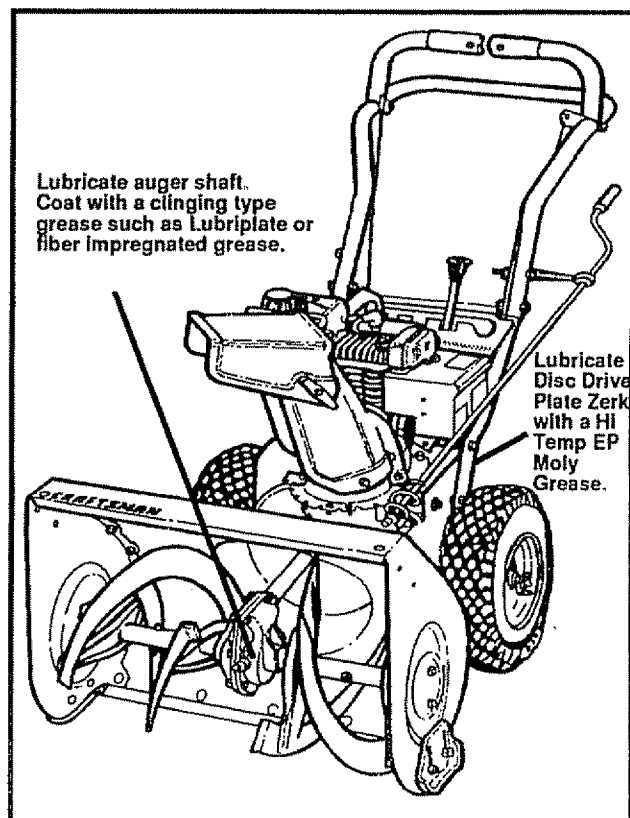
Some adjustments will need to be made periodically to properly maintain your snow thrower.

All adjustments in the Service and Adjustments section of this manual should be checked at least once each season.

AFTER FIRST USE

- Check for any loose or damaged parts.
- Tighten any loose fasteners.
- Check and maintain the auger.
- After each use, remove all snow and slush off the snow thrower to prevent freezing of auger or controls.
- Check controls to make sure they are functioning properly.
- If any parts are worn or damaged, replace immediately.

LUBRICATION CHART



CUSTOMER RESPONSIBILITIES

SNOW THROWER

LUBRICATION - EVERY FIVE HOURS

- Lubricate the flange on the discharge chute every five (5) hours during use and before storage (See Fig. 17).
- See Lubrication Chart diagram on page 15 for lubrication points and type of lubricant.

LUBRICATION - EVERY TEN HOURS

- Auger Shaft - For storage, lubricate auger shaft (See Fig. 16) with a clinging type grease such as Lubriplate. When replacing shear bolts, remove shear bolts and lubricate auger shaft (see To Replace Shear Bolt paragraph on page 23).
- The chute control rod, used to change the direction of the snow discharge, needs to be lubricated frequently and before storage (See Fig. 17).
- See Lubrication Chart diagram on page 15 for lubrication points and type of lubricant.

LUBRICATION - EVERY 25 HOURS

- Position speed selector lever in first gear.
- Place a coin or (a shim of equal thickness) between the rubber friction wheel and disc drive plate to prevent friction wheel contacting the friction disc.
- Disc Drive Plate - Using a hand grease gun, lubricate with a Hi Temp EP Moly grease, zerk located beneath the disc drive plate (See Fig. 18 inset) every 25 hours and at the end of the season and/or before storage. To grease zerk, turn disc drive plate clockwise by hand until zerk is clearly visible at front center DO NOT overfill or allow grease to come in wheel or damage will result. Fill zerk only until grease becomes visible below bearing assembly located under grease zerk. See Lubrication Chart on page 15.
- **IMPORTANT:** Remove coin and ensure that a gap exists between friction wheel and disc drive plate.
- **NOTE:** Clean all excess grease found on friction disc hub.
- **CAUTION:** Do not allow grease to contact friction wheel and disc drive plate.

LUBRICATION - BEFORE STORAGE

- Remove both wheels, grease (any automotive type grease) both axles (See Fig. 15) and replace wheels. Do this at least once a year and/or prior to storage.

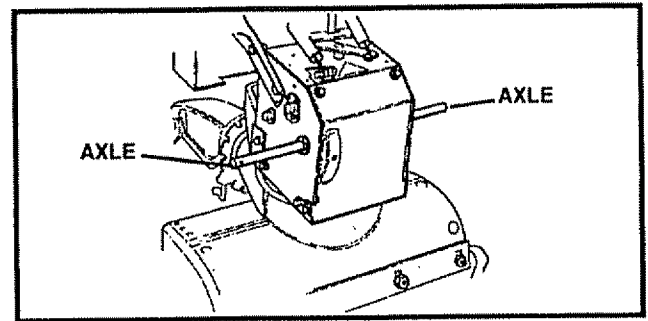
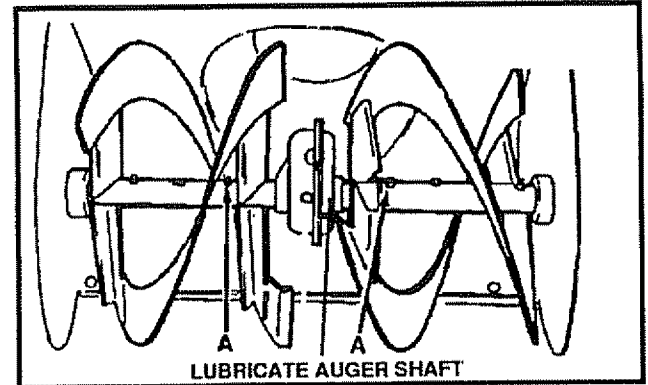


FIG. 15



LUBRICATE AUGER SHAFT

FIG. 16

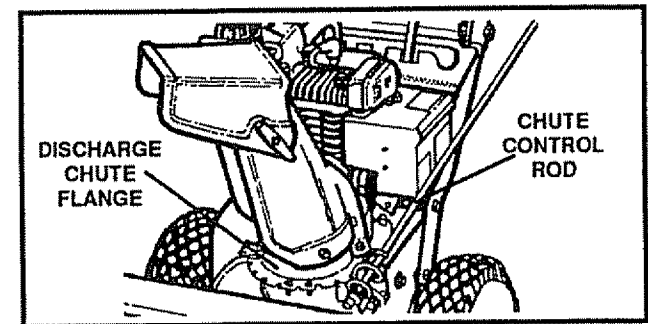


FIG. 17

LUBRICATION

- Hex Shaft and Gears - Hex shaft and gears require no lubrication. All bearings and bushings are lifetime lubricated and require no maintenance (See Fig. 18).

NOTE: Any greasing or oiling of the above components can cause contamination of the friction wheel. If the disc drive plate or friction wheel come in contact with grease or oil, damage to the friction wheel will result.

Should grease or oil come in contact with the disc drive plate or friction wheel, be sure to clean the plate and wheel thoroughly.

NOTE: For storage, the hex shaft and gears should be wiped with 5W-30 motor oil to prevent rusting (See Fig. 18).

- Auger Gear Box - The auger gear box is lubricated at the factory and should not require additional lubrication. If for some reason the lubricant should leak out, or if the auger gear box has been serviced,

CUSTOMER RESPONSIBILITIES

add Lubriplate No. 630-AA or equivalent. Maximum 3 1/4 ounces should be used. Remove filler plug (Figure 18-A) once a year. If grease is visible, use a piece of fine wire like a dipstick, to check if there is grease in the gearbox. Add grease if necessary. Reinstall gear box filler plug.

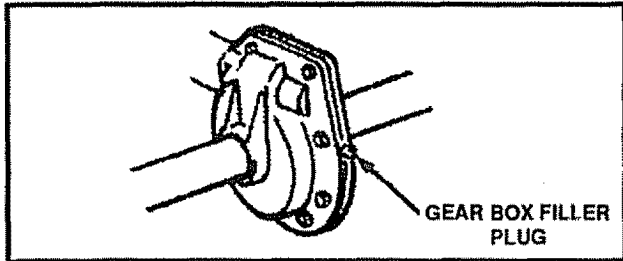


FIG. 18-A

ENGINE LUBRICATION

Check the crankcase oil level (See Fig. 19) before starting the engine and after each five (5) hours of continuous use. Add S.A.E. 5W-30 motor oil as needed. Tighten fill cap/dipstick securely each time you check the oil level. S.A.E. 5W-30 motor oil may be used to make starting easier in areas where the temperature is 20° F or lower.

OIL RECOMMENDATION

Only use high quality detergent oil rated with API service classification SG. Select the oil's viscosity grade according to your expected operating temperature:

RECOMMENDED VISCOSITY GRADES

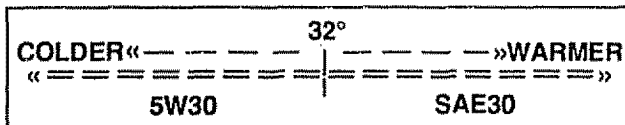


FIG. 19

NOTE: For extreme cold operating conditions of 0° F and below, use partial synthetic 0W30 oil for easier starting.

NOTE: Although multi-viscosity oils improve starting in cold weather, these multi-viscosity oils will result in increased oil consumption when used above 32°F. Check your engine oil level more frequently to avoid possible engine damage from running low on oil.

Change the oil after first two hours of operation and every 25 hours thereafter or at least once a year if the snow thrower is not used for 25 hours (See Fig. 20).

- Position snow thrower so that the oil drain plug is lowest point on the engine. Remove oil drain plug and oil fill cap/dipstick. Drain oil into a suitable container. Oil will drain more freely when warm

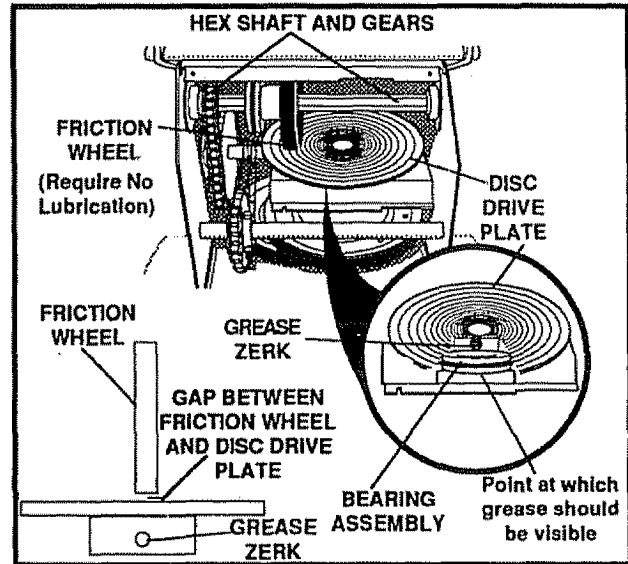


FIG. 18

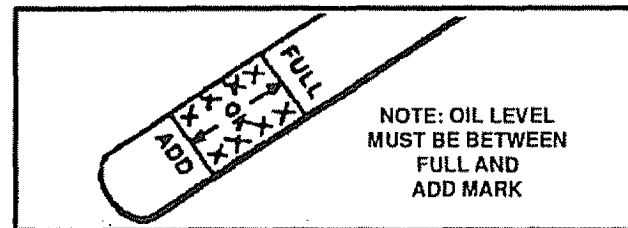


FIG. 20

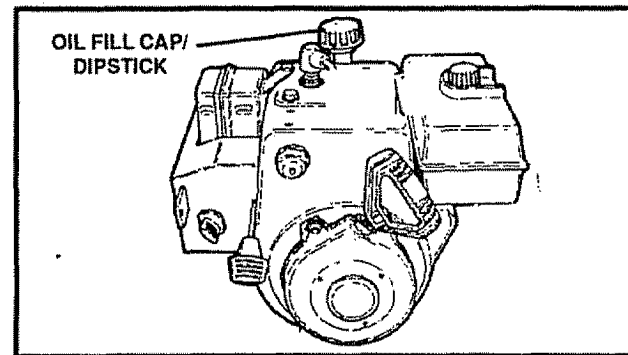


FIG. 20

- Replace oil drain plug and tighten securely. Refill crankcase with S.A.E. 5W30 motor oil.

SPARK PLUG

- Make sure that the spark plug is tightened securely into the engine and the spark plug wire is attached to the spark plug.
- If a torque wrench is available, torque plug to 18 to 23 foot pounds.
- Clean the area around the spark plug base before removal to prevent dirt from entering the engine
- Clean the spark plug and reset the gap periodically at .030 inch.

SERVICE AND ADJUSTMENTS



CAUTION: ALWAYS DISCONNECT THE SPARK PLUG WIRE AND TIE BACK AWAY FROM THE PLUG BEFORE MAKING ANY ADJUSTMENTS OR REPAIRS.

TO ADJUST SKID HEIGHT

This snow thrower is equipped with two height adjustment skids, located on the outside of the auger housing (See Fig. 21). These skids elevate the front of the snow thrower.

For normal hard surfaces, such as a paved driveway or walk, adjust the skids as follows:

- Check tire pressure (14 to 17 pounds).
- Place the extra shear bolts supplied (found in parts bag) under each end of the scraper bar near but not under the skid.
- Loosen the skid mounting nuts (See Fig. 21), and adjust the skids to allow the front of the snow thrower to rest on the shear bolts. Retighten the mounting nuts.
- Set the skid on the other side at the same height.

NOTE: For graveled or uneven surfaces, raise the front of the snow thrower by moving the skids down. This will help prevent rocks and other debris from being picked up and thrown by the auger.

TO ADJUST SCRAPER BAR

After considerable use, the metal scraper bar will have a definite wear pattern. The scraper bar in conjunction with the skids should be adjusted to allow 1/8" between the scraper bar and the sidewalk or area to be cleaned. The scraper bar may have to be returned to its original lower setting to maintain the original performance level. To adjust:

- Position the snow thrower on a level surface.
- Make sure both tires are equally inflated. Proper tire pressure is 14 to 17 PSI. See side of tire for maximum inflation. Do not exceed sidewall maximum pressure on tire.

- Loosen the carriage bolts and nuts securing the scraper bar to the auger housing.
- Adjust the scraper bar to the proper position.
- Tighten the carriage bolts and nuts, making sure that the scraper bar is parallel with the working surface.
- For extended operation, the scraper bar may be reversed. If the scraper bar must be replaced due to wear, remove the carriage bolts and nuts and install a new scraper bar.

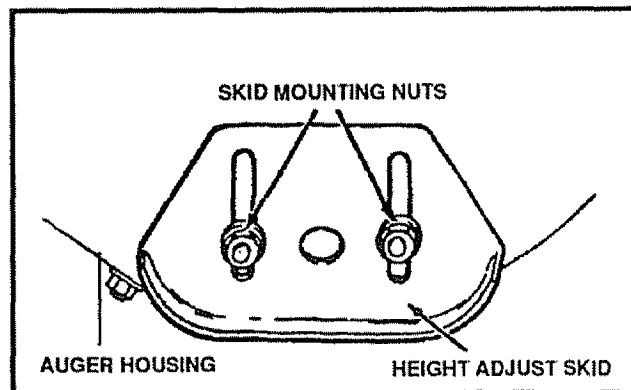


FIG. 21



CAUTION: BE CERTAIN TO MAINTAIN PROPER GROUND CLEARANCE FOR YOUR PARTICULAR AREA TO BE CLEARED. OBJECTS SUCH AS GRAVEL, STONES OR OTHER DEBRIS, IF STRUCK BY THE IMPELLER, MAY BE THROWN WITH SUFFICIENT FORCE TO CAUSE PERSONAL INJURY, PROPERTY DAMAGE OR DAMAGE TO THE SNOW THROWER.

SERVICE AND ADJUSTMENTS

TO ADJUST THE CLUTCH CONTROL CABLES

Periodic adjustment of the cables may be required due to normal stretch and wear on the belts. To check for correct adjustment, the control lever must be in the full forward position, resting on the plastic bumper. The control cables are correctly adjusted when the center of the "Z" fitting is between the center and top of the hole in the clutch lever and there is no droop in the cable (See Fig. 23).

If adjustment is necessary:

- Disconnect "Z" Fitting from drive lever.
- Push the cable through the spring (See Fig. 24) to expose the threaded portion of the cable.
- Hold the square end of the threaded portion with pliers and adjust the locknut in or out until the excess slack is removed (See Fig. 24).
- Pull the cable back through the spring and connect the cable.
- Do the same for the other lever cable.

NOTE: Whenever the traction drive or auger belts are adjusted or replaced, the cables will need to be adjusted.

TO ADJUST BELTS

Belts stretch during normal use. If you need to adjust the belts due to wear or stretch, proceed as follows:

AUGER DRIVE BELT (See Fig. 26)

If your snow thrower will not discharge snow, check the control cable adjustment. If it is correct, then check the condition of the auger drive belt. It may be loose or damaged. If it is damaged, replace it. See To Replace Belts paragraph on page 20. If the auger drive belt is loose, adjust as follows:

- Disconnect the spark plug wire.
- Remove the belt cover (See Fig. 27, page 20).
- Loosen the nut on the auger idler pulley (See Fig. 26) and move the pulley toward the belt about 1/8".
- Tighten the nut.
- Press the auger drive lever. Check the tension on the belt (opposite auger idler pulley). The belt should deflect about 1/2" with moderate pressure (See Fig. 25).

NOTE: You may have to move the auger idler pulley more than once to obtain the correct tension.

- Replace the belt cover.
- Check the clutch control cable adjustment.
- Reconnect the spark plug wire.

TRACTION DRIVE BELT

The traction drive belt has constant spring pressure and does not require adjustment.

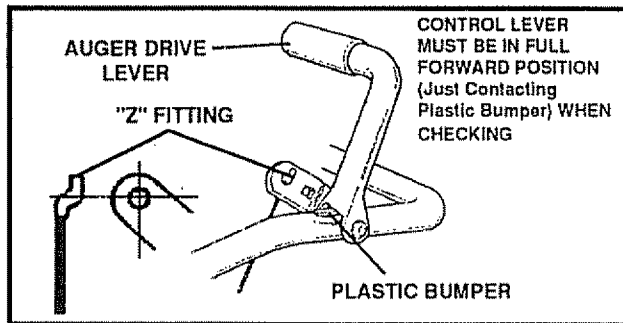


FIG. 23

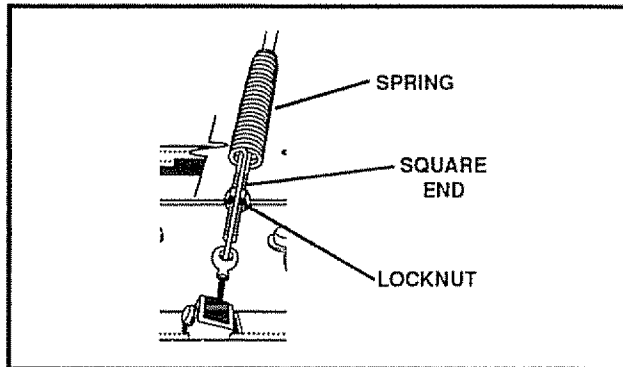


FIG. 24

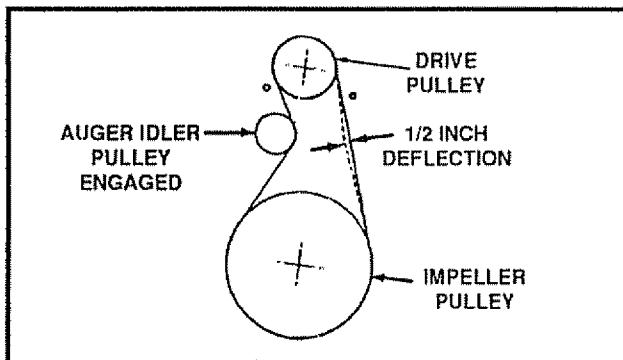


FIG. 25

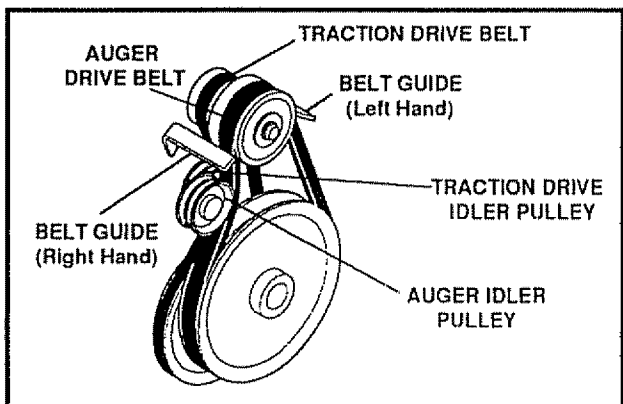


FIG. 26

- Replace the traction drive belt if it is slipping (see To Replace Belts paragraph on page 20)

SERVICE AND ADJUSTMENTS

TO REPLACE BELTS

The drive belts on this snow thrower are of special construction and should be replaced with original equipment belts available from your nearest Sears Store or Service Center.

You will need the assistance of a second person while replacing the belts.

Drain the gasoline from the fuel tank by removing the fuel line. Drain the gas and reinstall the fuel line.



CAUTION: DRAIN THE GASOLINE OUTDOORS, AWAY FROM FIRE OR FLAME.

AUGER DRIVE BELT

If your snow thrower will not discharge snow, and the auger drive belt is damaged, replace it as follows:

- Disconnect the spark plug wire.
- Remove the belt cover (See Fig. 27).
- Loosen the belt guides (See Fig. 28) and pull away from the engine drive pulley.
- Loosen the nut on the auger idler pulley (See Fig. 28) and pull idler pulley away from the belt.
- Remove belt from engine drive pulley.
- Remove top two bolts securing auger housing to motor mount frame. Loosen bottom two bolts. (See Fig. 30, page 21).
- Auger housing and motor mount frame will separate, hinged by bottom two bolts.
- Remove brake arm from housing. Do not remove spring.
- Remove old belt from the auger drive pulley.
- Install new replacement belt of the same type onto the auger pulley.
- Reinstall brake arm into housing. Ensure brake arm is fully inserted into housing and brake pad is riding in pulley groove.
- Position belt onto engine drive pulley.
- Adjust the auger drive belt (see To Adjust Auger Drive Belt paragraph on page 19).
- Adjust the belt guides (see To Adjust The Belt Guides paragraph on page 21).
- Replace top two bolts. Re-tighten bottom two bolts.
- Reinstall the belt cover.
- Check the clutch control cable adjustment (see page 19).
- Reconnect the spark plug wire.

TRACTION DRIVE BELT (See Fig. 28)

If your snow thrower will not move forward, check the traction drive belt for wear. (Check other causes also in the Trouble Shooting Points section.) If the traction drive belt needs to be replaced, proceed as follows:

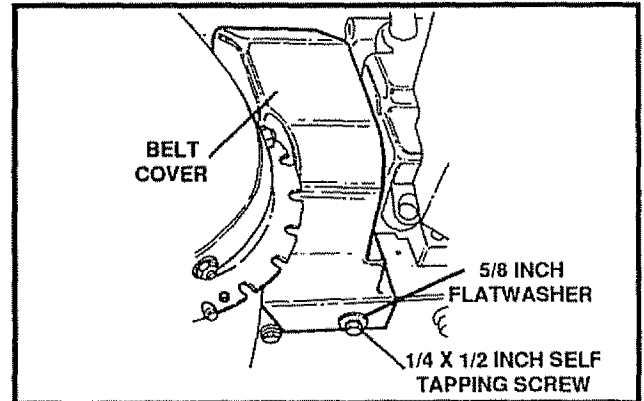


FIG. 27

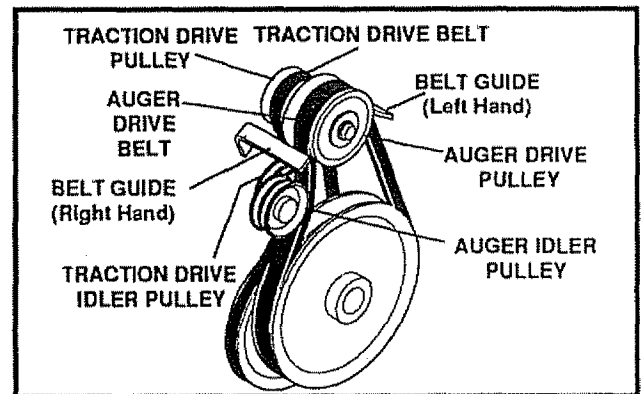


FIG. 28

- Disconnect the spark plug wire.
- Remove the belt cover.
- Loosen belt guides and pull guides away from the engine drive pulley.
- Loosen nut on auger idler and pull auger idler pulley away from belt.
- Remove auger drive belt from engine pulley.
- Pull the traction drive belt idler pulley away from the drive belt.
- Remove drive belt.
- Position new replacement belt of the same type onto traction pulley.
- Pull idler pulley away from belt, allowing belt to be positioned onto engine pulley.
- Release idler pulley. Ensure idler pulley is properly engaged with belt.
- Reinstall auger drive belt on engine.
- Adjust belt guides and tighten the mounting screws (see To Adjust The Belt Guides paragraph on page 21).
- Readjust auger idler to adjust belt. See page 19.
- Reinstall the belt cover.
- Reconnect the spark plug wire.

SERVICE AND ADJUSTMENTS

TO ADJUST THE BELT GUIDES

- Disconnect the spark plug wire.
- Remove the belt cover by removing the screw and flatwasher on the left and right hand sides. See Fig. 27 page 20.
- Engage the auger drive clutch lever.
- Measure the distance between the belt guides and the belt (See Fig. 29). The distance should be $3/32$ " for each guide.
- If adjustment is necessary, loosen the belt guide mounting bolts. Move the belt guides to the correct position. Tighten the mounting bolts.
- Reinstall the belt cover.
- If adjustment is necessary, loosen the belt guide mounting bolts. Move the belt guides to the correct position. Tighten the mounting bolts.
- Reinstall the belt cover.
- Reconnect the spark plug wire.

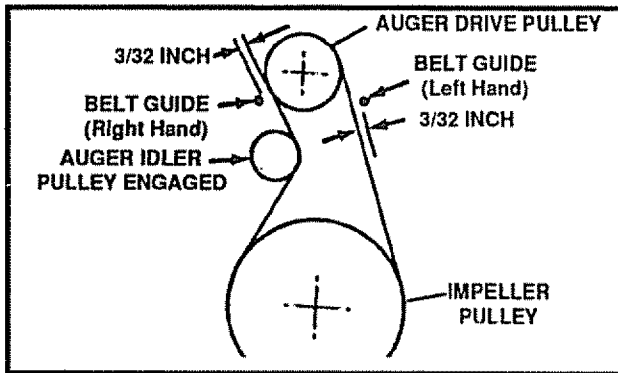


FIG. 29

TO ADJUST THE FRICTION WHEEL

If the snow thrower will not move forward, you need to check the traction drive belt, the traction drive cable or the friction wheel. If the friction wheel is damaged, it will need to be replaced. See To Replace Friction Wheel paragraph on page 22. If the friction wheel is not worn, check the adjustment, as follows:

- Disconnect the spark plug wire.
- Drain the gasoline from the gas tank.
- Stand snow thrower on the auger housing end.
- Remove the bottom panel (See Fig. 30).
- Position the shifter lever in first (1) gear.
- Note the position of the friction wheel on the disc drive plate. The right outer side of the disc drive plate should be 3" from the center of the friction wheel (See Fig. 31A).

If adjustment is necessary:

- Loosen bolts in speed selector lever (See Fig. 31B).

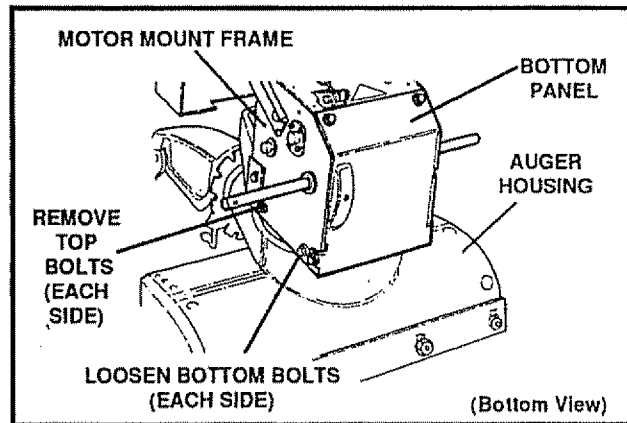


FIG. 30

- Move friction wheel to proper position as indicated in previous step (Fig. 31A).
- Re-tighten bolts in speed selector lever.
- Reinstall the bottom panel.

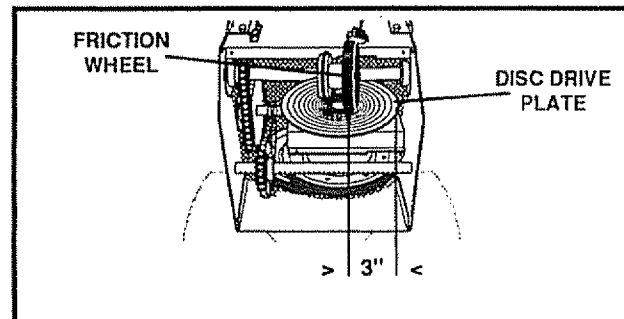


FIG. 31A

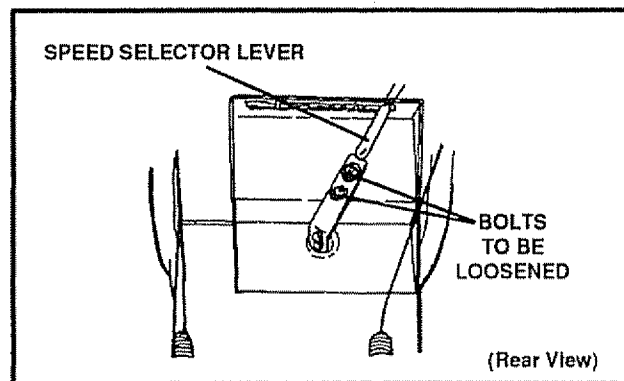


FIG. 31B

SERVICE AND ADJUSTMENTS

TO REPLACE FRICTION WHEEL

If the snow thrower will not move forward, and the friction wheel is worn or damaged, you need to replace it as follows: (First allow the engine to cool.)



CAUTION: DRAIN GASOLINE OUTDOORS AWAY FROM FIRE OR FLAME.

- Drain the gasoline from the fuel tank by removing the fuel line. Drain the fuel and reinstall the fuel line.
- Disconnect the spark plug wire.
- Stand the snow thrower up on the auger housing end (See Fig. 33).
- Remove the bottom panel (See Fig. 30, page 21).
- Remove the three (3) fasteners securing the friction wheel to hub (See Fig. 32) and set fasteners aside.
- Remove the four bolts securing the bearing plates (both sides).
- Remove right side bearing plate. Leave Hex shaft in original position (See Fig. 33).
- Remove friction wheel from hub. Slip friction wheel off hex shaft towards right side (See Fig. 33).
- Position new friction wheel onto hub.
- Install bearing plates to original position. Ensure hex shaft is engaged with both bearing plates.
- Secure bearing plates using bolts removed earlier.
- Secure friction wheel to hub using fasteners removed earlier. Ensure hex shaft turns freely.

NOTE: Ensure friction wheel and friction disc are free from grease or oil.

- Replace bottom panel.
- Lower the snow thrower onto the tires.

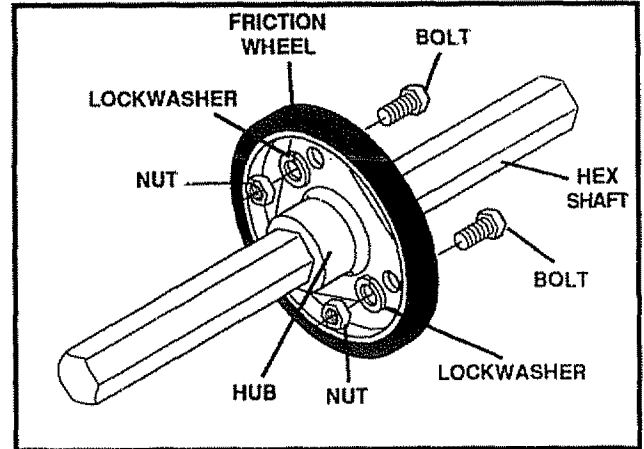


FIG. 32

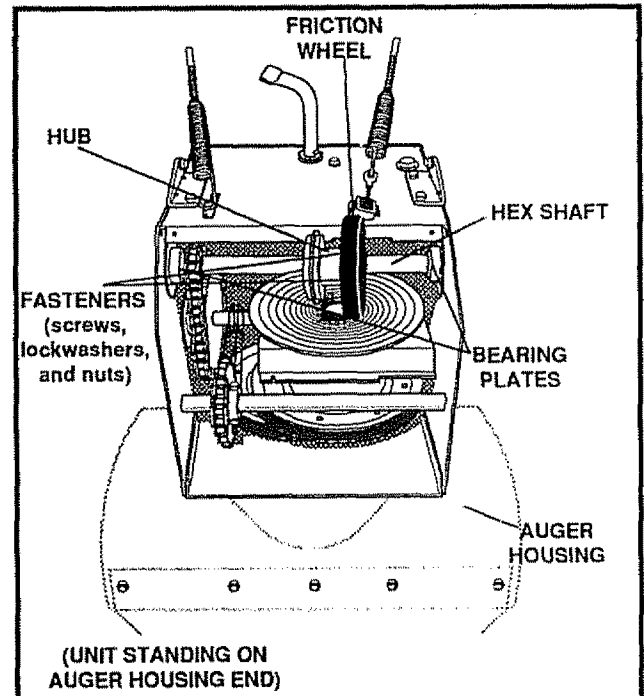


FIG. 33

SERVICE AND ADJUSTMENTS

TO REPLACE AUGER SHEAR BOLT

The augers are secured to the auger shaft with special bolts (See Fig. 34) that are designed to break (to protect the machine) if an object becomes lodged in the auger housing. Use of a harder bolt will destroy the protection provided by the shear bolt.

IMPORTANT: TO INSURE SAFETY AND PERFORMANCE LEVELS, ONLY ORIGINAL EQUIPMENT SHEAR BOLTS SHOULD BE USED. WHEN REPLACING SHEAR BOLTS, BE SURE TO REPLACE SHEAR BOLT SPACERS.

To replace a broken shear bolt, proceed as follows:

- Move the throttle to STOP and turn off all controls.
- Disconnect the spark plug wire. Be sure all moving parts have stopped.
- Remove the broken shear bolt.
- Lubricate the auger shaft by squirting oil into the shear bolt hole in the auger shaft. Then rotate the auger to distribute the oil on the shaft.
- Align the hole in the auger with the hole in the auger shaft. Install the new shear bolt, shear bolt spacer, and locknut provided in parts bag.
- Reconnect the spark plug wire.

TO ADJUST CARBURETOR

The carburetor (See Fig. 35 and Fig. 37(page 25) has been pre-set at the factory and readjustment should not be necessary. However, if the carburetor does need to be adjusted, proceed as follows:

- Close the high speed adjusting screw by hand.
- Do not over-tighten.
- Then open it 1-1/4 to 1-1/2 turns.
- Close the idle adjusting screw by hand. Do not over-tighten.
- Then open it 1-1/4 to 1-1/2 turns.
- Start the engine and let it warm up.
- Set the throttle control to RUN. Adjust the high speed adjusting screw **In** until the engine speed or sound alters. Adjust the screw **out** until the engine speed sound alters. Note the difference between the two limits and set the screw in the middle of the range.
- Let the engine run undisturbed for 30 seconds after each setting to allow the engine to react to the previous adjustment.
- Set the throttle control to IDLE. Adjust the idle adjusting screw **In** until the engine speed drops, then adjust the screw **out** until the engine speed drops. Note the difference between the two limits and set the screw in the middle of the range.

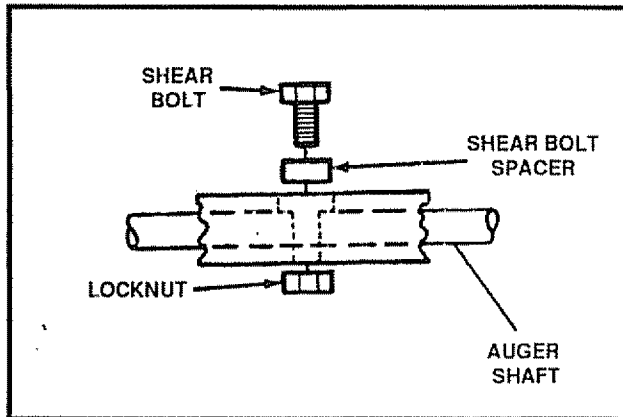


FIG. 34

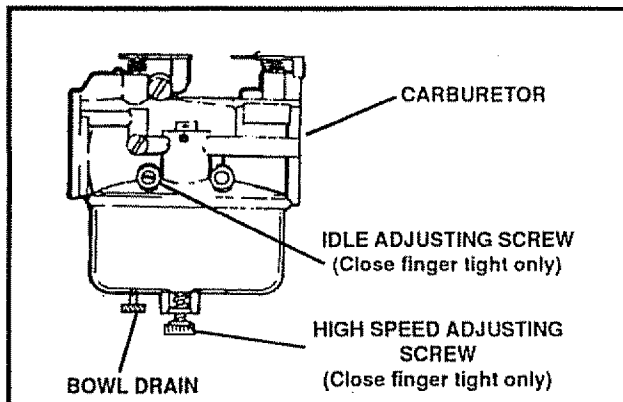


FIG. 35

- If the engine tends to stall under load or does not accelerate from low speed to high speed properly, adjust the high speed screw out in 1/8 turn increments until the problem is resolved. Let the engine run for 30 seconds between settings.

IMPORTANT: NEVER TAMPER WITH THE ENGINE GOVERNOR, WHICH IS FACTORY SET FOR PROPER ENGINE SPEED. OVER-SPEEDING THE ENGINE ABOVE THE FACTORY HIGH SPEED SETTING CAN BE DANGEROUS. IF YOU THINK THE ENGINE-GOVERNED HIGH SPEED NEEDS A D - JUSTING, CONTACT YOUR NEAREST SEARS SERVICE CENTER, WHICH HAS THE PROPER EQUIPMENT AND EXPERIENCE TO MAKE ANY NECESSARY ADJUSTMENTS

SERVICE AND ADJUSTMENTS

TO ADJUST OR REPLACE THE SPARK PLUG

If you have difficulty starting your snow thrower, you may need to adjust or replace the spark plug. Follow the instructions below.

Replace the spark plug if the electrodes are pitted or burned or if the porcelain is cracked.

TO ADJUST:

- Clean the spark plug by carefully scraping the electrodes (do not sand blast or use a wire brush).
- Be sure the spark plug is clean and free of foreign material. Check the electrodes gap (See Fig. 36) with a wire feeler gauge and reset the gap to .030 inch if necessary.

TO REPLACE:

- If you need a new spark plug, use only the proper replacement spark plug (See page 4).
- Set the gap to .030.

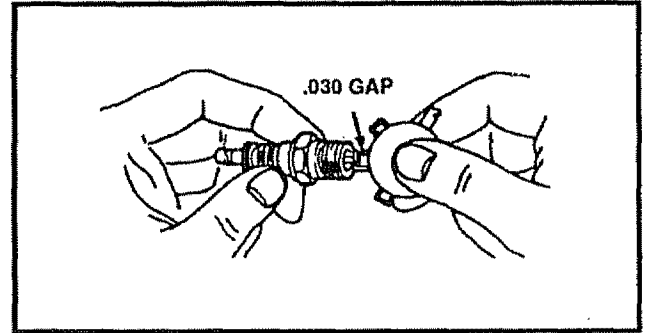


FIG. 36

- Before installing the spark plug, coat its threads lightly with oil or grease to ensure easy removal.
- Tighten the plug firmly into the engine.
- If a torque wrench is available, torque the plug to 18 to 23 ft. - lbs.

STORAGE



CAUTION: NEVER STORE YOUR SNOW THROWER INDOORS OR IN AN ENCLOSED, POORLY VENTILATED AREA IF GASOLINE REMAINS IN THE TANK. FUMES MAY REACH AN OPEN FLAME, SPARK OR PILOT LIGHT FROM A FURNACE, WATER HEATER, CLOTHES DRYER, CIGARETTE, ETC.

To prevent engine damage (if snow thrower is not used for more than 30 days) follow the steps below.

SNOW THROWER STORAGE

- Thoroughly clean the snow thrower.
- Lubricate all lubrication points (see the Customer Responsibilities section on pages 15-17).
- Be sure that all nuts, bolts and screws are securely fastened. Inspect all visible moving parts for damage, breakage and wear. Replace if necessary.
- Touch up all rusted or chipped paint surfaces; sand lightly before painting.
- Cover the bare metal parts of the blower housing auger and the impeller with rust preventative, such as a spray lubricant.

NOTE: A yearly checkup or tune-up by a SEARS Service Center is a good way to insure that your snow thrower will provide maximum performance for the next season.

ENGINE STORAGE

Gasoline must be removed or treated to prevent gum deposits from forming in the tank, filter, hose, and carburetor during storage. Also during storage, alcohol blended gasoline that uses ethanol or methanol (sometimes called gasohol) attracts water. It acts on the gasoline to form acids which damage the engine.

- To remove gasoline, run the engine until the tank is empty and the engine stops. Then drain remaining gasoline from carburetor by pressing upward on bowl drain located on the bottom of carburetor (See Fig. 37).
- If you do not want to remove gasoline, a fuel stabilizer (such as Craftsman Fuel Stabilizer No. 33500) may be added to any gasoline left in the tank to minimize gum deposits and acids. If the tank is almost empty, mix stabilizer with fresh gasoline in a separate container and add some to the tank. **ALWAYS FOLLOW INSTRUCTIONS ON STABILIZER CONTAINER. THEN RUN ENGINE AT LEAST 10 MINUTES AFTER STABILIZER IS ADDED TO ALLOW MIXTURE TO REACH CARBURETOR. STORE SNOW THROWER IN A SAFE PLACE. SEE WARNING ABOVE.**

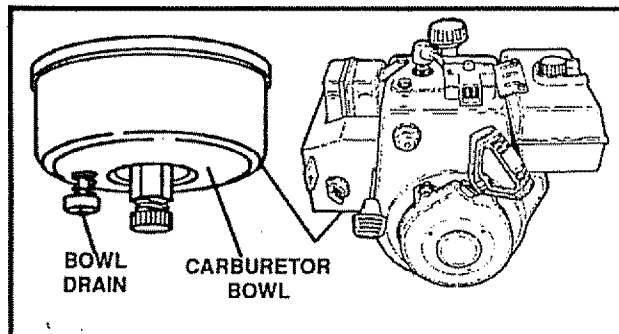


FIG. 37

You can keep your engine in good operating condition during storage by:

- Changing oil (See page 17).
- Lubricating the piston/cylinder area. This can be done by first removing the spark plug and squirting a few drops of clean engine oil into the spark plug hole. Then cover the spark plug hole with a rag to absorb oil spray. Next, rotate the engine by pulling the starter rope fully out two or three times. Finally, reinstall spark plug and attach spark plug wire.

OTHER

- If possible, store your snow thrower indoors with gas removed and cover it to give protection from dust and dirt.
- If the machine must be stored outdoors, block up the snow thrower to be sure the entire machine is off the ground.
- Cover the snow thrower with a suitable protective cover that does not retain moisture. Do not use plastic or vinyl.

IMPORTANT: NEVER COVER SNOW THROWER WHILE ENGINE AND EXHAUST AREAS ARE STILL WARM.

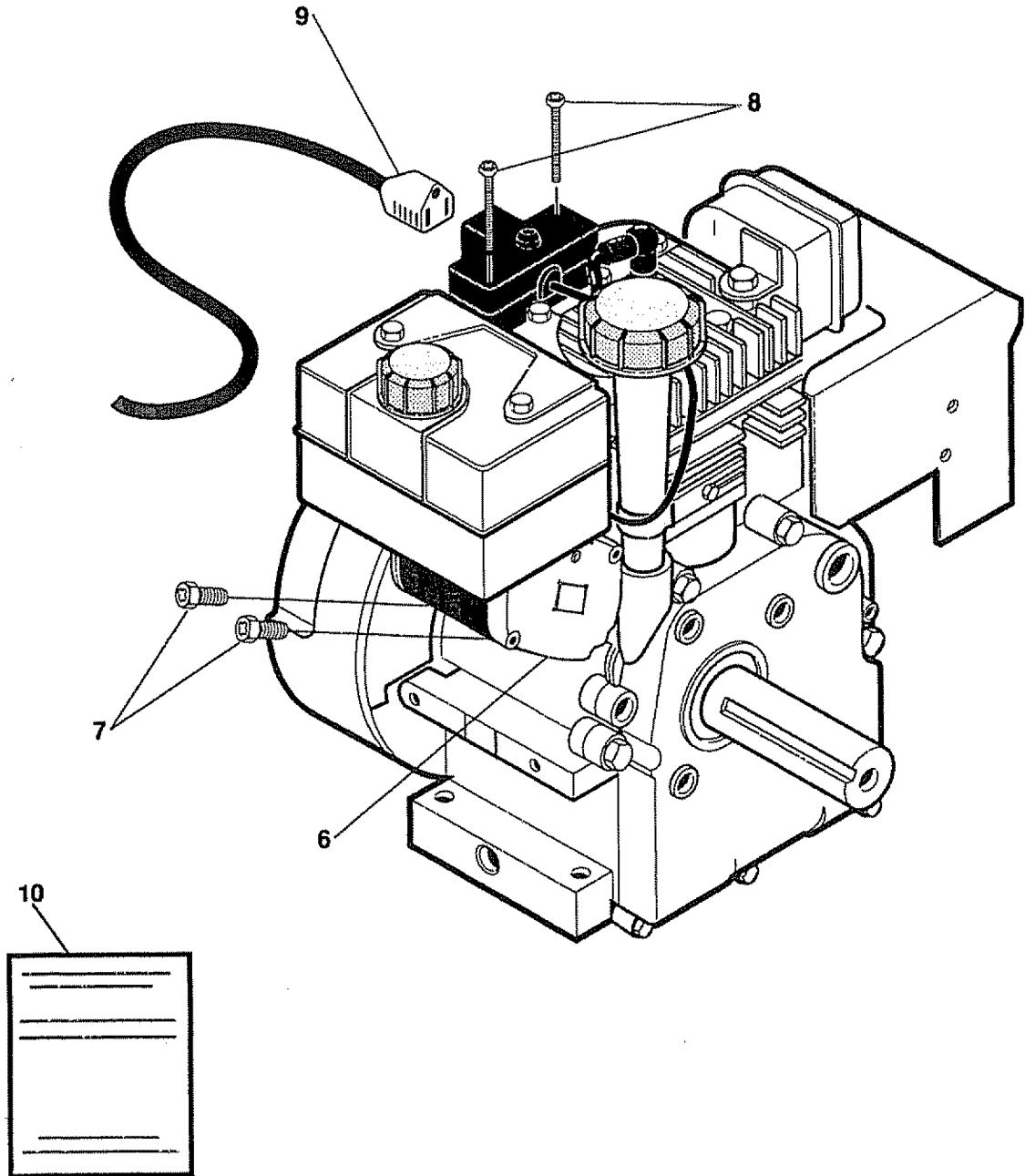
TROUBLE SHOOTING POINTS

TROUBLE	CAUSE	CORRECTION
Difficult starting	Defective spark plug Water or dirt in fuel system	Replace defective plug. Use carburetor bowl drain to flush and refill with fresh fuel.
Engine runs erratically	Blocked fuel line or low on fuel	Clean fuel line; check fuel supply; add fresh fuel (gasoline/oil mixture if 2 cycle engine).
Engine stalls	Unit running on CHOKE	Move choke lever to OFF position.
Engine runs erratically; Loss of power	Water or dirt in fuel system Carburetor out of adjustment	Use carburetor bowl drain to flush and refill with fresh fuel. Adjust carburetor
Excessive vibration	Loose parts; damaged impeller	Stop engine immediately and disconnect spark plug wire Tighten all bolts and make all necessary repairs. If vibration continues, have the unit serviced by a competent repairman
Unit fails to propel itself	Drive belt loose or damaged Incorrect adjustment of traction drive cable Worn or damaged friction wheel	Replace drive belt. Adjust traction drive cable Replace friction wheel
Unit fails to discharge snow	Auger drive belt loose or damaged Auger control cable not adjusted correctly Shear bolt broken Discharge chute clogged Foreign object lodged in auger	Adjust auger drive belt; replace if damaged Adjust auger control cable Replace shear bolt Stop engine immediately and disconnect spark plug wire Clean discharge chute and inside of auger housing Stop engine immediately and disconnect spark plug wire Remove object from auger.

NOTES

CRAFTSMAN 22" SNOW THROWER 536.886120

ELECTRIC START

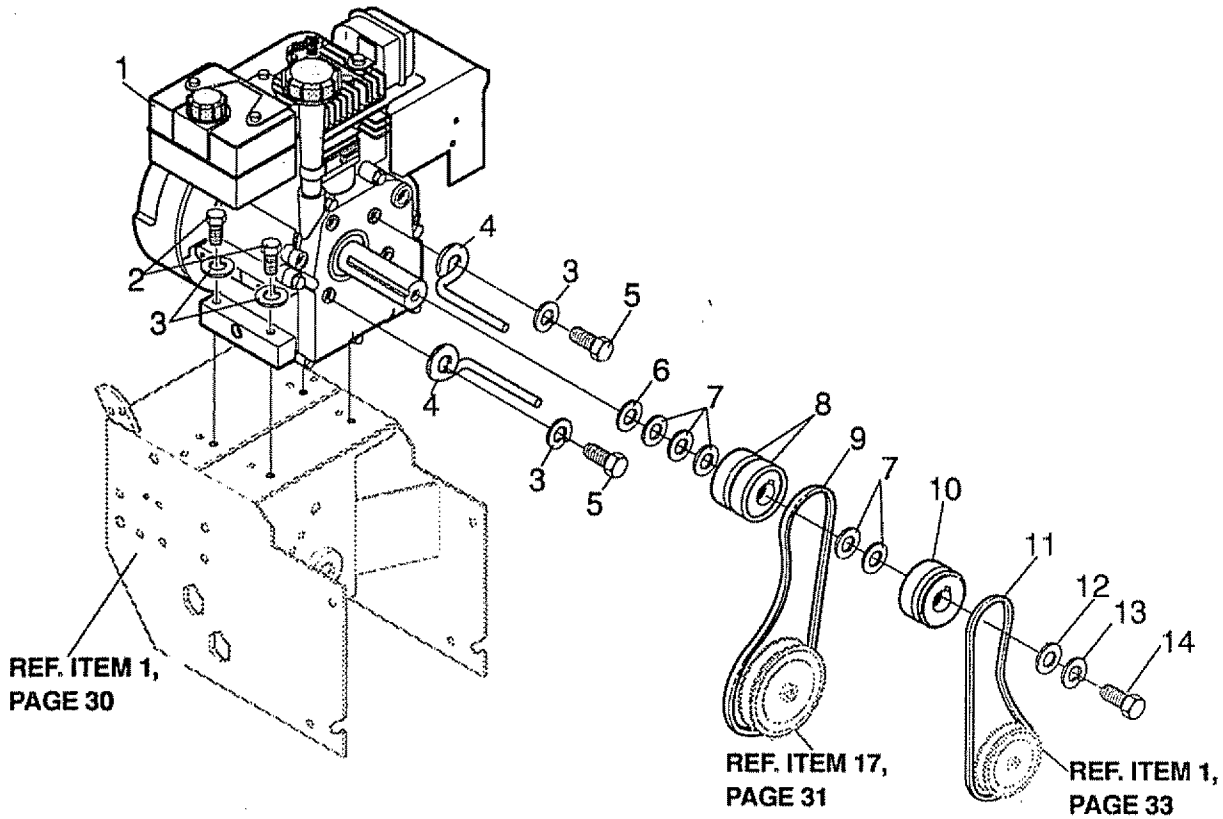


REF. NO.	PART NO.	PART NAME
6	330783	Motor, Electric Starter
7	6216	Screw, 1/4-20 x .50 In.
8	6217	Screw, #6-32 x 2.50 In.
9	6219	Cord, Starter Motor
10	334179	Owner's Manual (Not illustrated)

319051A

CRAFTSMAN 22" SNOW THROWER 536.886120

ENGINE COMPONENTS REPAIR PARTS

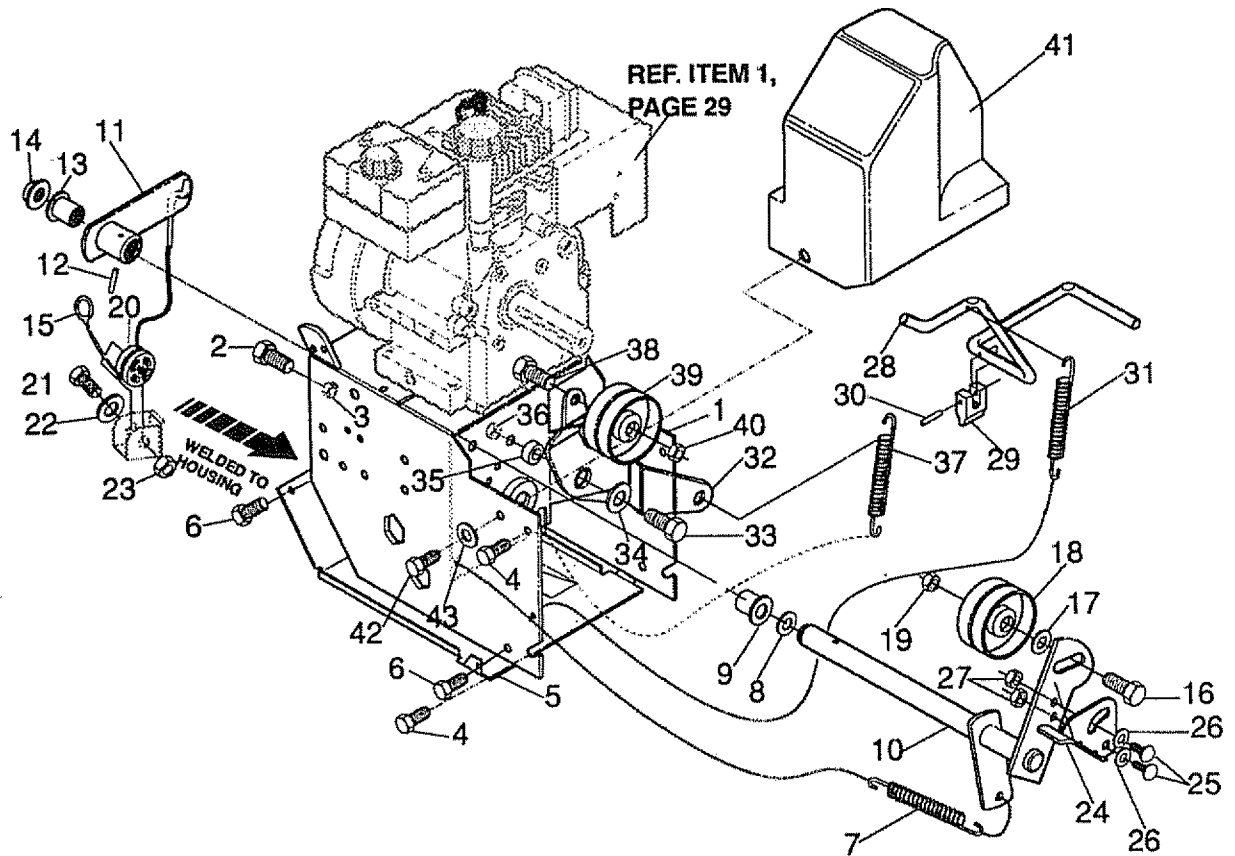


REF. NO.	PART NO.	PART NAME
1		Engine, Craftsman 143.955001 (See Engine Repair Parts list)
2	302636	Screw, HHC, 5/16-18x1-1/4 In.
3	120638	Lockwasher, Split, 5/16x.58x.08
4	3949	Guide, Rod Belt RH
5	578733	Screw, HHC, 5/16-24x5/8 In.
6	579855	Washer, Crankshaft
7	579861	Flatwasher, .752x.91x.02
8	579854	Pulley, Half V3L
9	579932	Belt V 3L
10	313858	Pulley, Engine
11	581264	Belt, Auger Drive
12	313826	Flatwasher, .375x1.25x.104
13	120382	Lockwasher, Split, .38ID
14	39573	Screw, HHC, 3/8-24x1 In.

326928B

CRAFTSMAN 22" SNOW THROWER 536.886120

FRAME COMPONENTS REPAIR PARTS



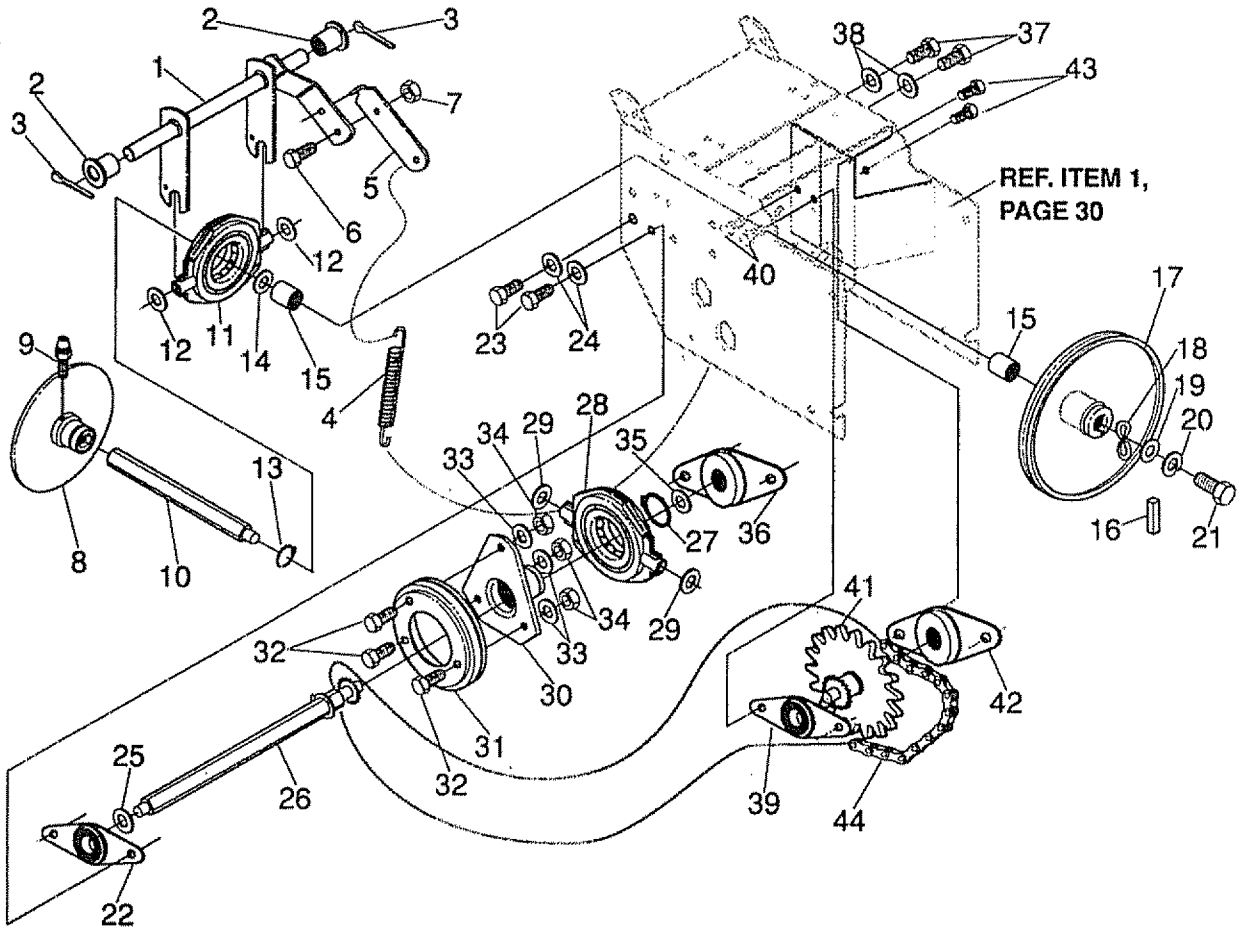
REF. NO.	PART NO.	PART NAME
1	334133-854	Frame
2	910828	Screw, HHC, 5/16-24 x 1 In.
3	71100	Locknut, HexWdFl, 5/16-24 Thd
4	35497	Screw, WaTap, 5/16-18 x 1/2 In.
5	583031-830	Panel, Bottom
6	310169	Screw, WaTap, 1/4-20 x 5/8 In.
7	313854	Spring, Idler Traction Drive
8	71074	Flatwasher, .53 x 1.06 x .095
9	313853	Bearing, Flange
10	580889	Shaft Auger Clutch Assy.
11	579874	Lever, Auger Clutch
12	73801	Pin, Spring
13	313853	Flanged Bearing
14	53697	Nut, Push On
15	579856	Cable, Clutch
16	45892	Carr. Bolt, 3/8-16 x 1.50
17	120394	Flatwasher, .406 x .81 x .065
18	313843	Pulley, Idler
19	41529	Locknut, Jam, 3/8-16 Thd.
20	579860	Spool, Cable Auger Clutch
21	9524	Screw, HHC, 1/4-20 x 1-3/4 In.
22	120392	Flatwasher, .286 x .63 x .065

REF. NO.	PART NO.	PART NAME
23	1502	Nut, Hex Nyl, 1/4-20 Thd.
24	580944	Cam, Brake Arm
25	36602	Bolt, Carriage, 1/4-20 x 5/8 In.
26	120393	Flatwasher, .344x.69x.065
27	1502	Nut, 1/4-20 Reghexctrlik
28	585418	Rod, Brake Arm
29	581540	Pad, Brake
30	73801	Pin, Spring .165Dia.x.88Lg
31	318468	Spring, Tension
32	579872	Lever, Idler Arm Traction
33	180077	Screw, HHC, 5/16-18x3/4 In.
34	73795	Flatwasher, .328x1.38x.075
35	579865	Bushing, Idler Lever
36	71038	Nut, Hex Nyl, 5/16-18 Thd.
37	313854	Idler Spring
38	180124	Screw, 3/8-16x1.25 In.
39	313843	Idler Pulley
40	41529	Nut, 3/8-16 Hxctrlikjam
41	580772	Belt Cover
42	310169	Screw, 1/4-20 x .63
43	120392	Flatwasher, .281x.63x.065

313993F

CRAFTSMAN 22" SNOW THROWER 536.886120

DRIVE COMPONENTS REPAIR PARTS



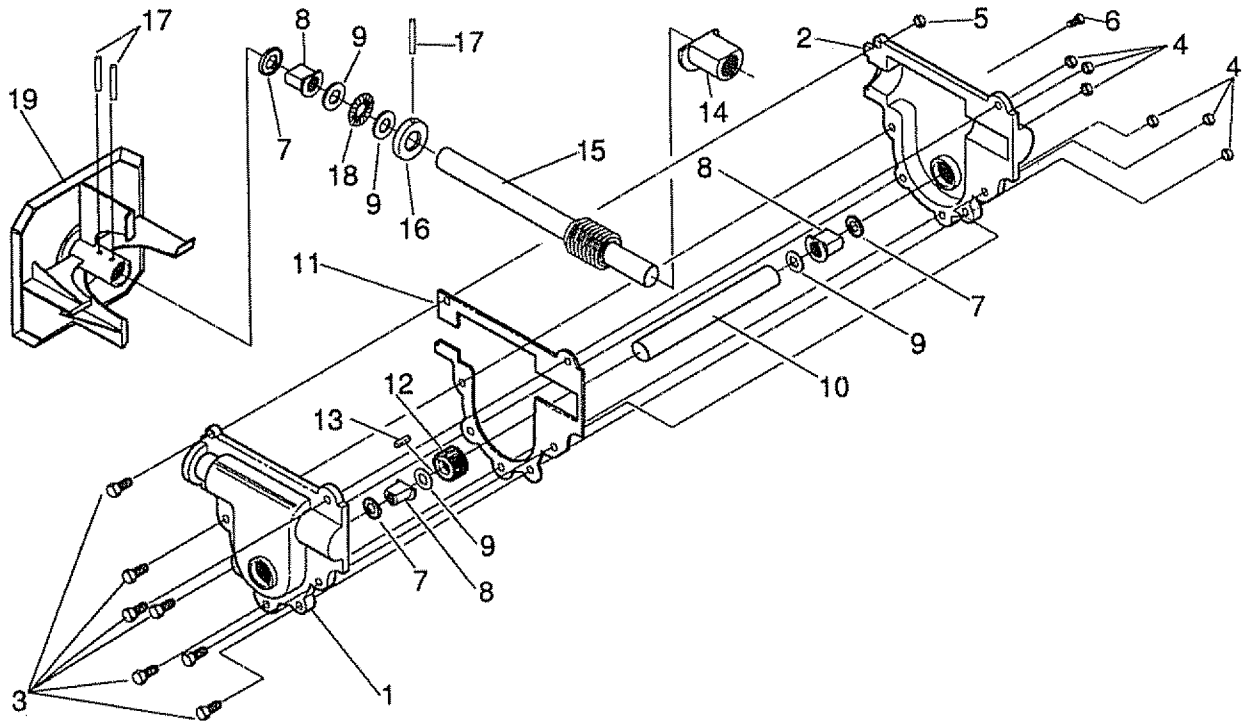
REF. NO.	PART NO.	PART NAME
1	579941	Lever Assembly, Traction Clutch
2	313853	Bearing, Flange
3	137185	Pin, Cotter
4	313919	Spring, Return
5	579937	Lever, Spring Traction Clutch
6	11871	Screw, HHC, 1/4-20 x 5/8 In.
7	1502	Nut, Hex, 1/4-20 Thd.
8	583164	Disc, Friction Wheel, 7"
9	583206	Zerk Grease
10	583155	Shaft, Hex Traction
11	85501	Bearing Assembly, Trunion
12	73812	Flatwasher, 50 x 1.00 x .06
13	73811	Ring, Retainer
14	580969	Flatwasher, .680 x 1.12 x .06
15	49562	Bearing, Roller
16	580970	Key, Square
17	580961	Pulley, Traction Drive
18	580965	Wave Washer
19	1084	Flatwasher, .281x1.00x.063
20	120380	Lockwasher, Split .26 x .50 x .06
21	180020	Screw, HHC, 1/4-20 x 5/8 In.
22	334163	Bearing & Retainer Assembly

REF. NO.	PART NO.	PART NAME
23	35497	Screw, WaTap, 5/16-18 x 1/2 In.
24	120638	Lockwasher, Split, .31 x .58 x .08
25	579858	Washer, Special
26	331112	Shaft Hex & Sprocket Assembly
27	73811	Retaining Ring
28	85501	Bearing, Trunion
29	73812	Flatwasher, 505x1.00x.06
30	581773	Hub, Friction Wheel
31	313883	Wheel, Friction Disc
32	11871	Screw, 1/4-20x.63
33	120380	Washer, Regsptlk .263x.49x.07
34	120375	Nut, 1/4-20 Reghex
35	579858	Washer, Sp .502x.75x.0605
36	334163	Bearing & Retainer Assy
37	35497	Screw, WaTap, 5/16-18x1.2 In.
38	120638	Lockwasher, Split .31x.58x.08
39	334163	Bearing & Retainer Assy
40	35497	Screw, WaTap, 5/16-18x1/2 In.
41	579893	Sprocket, 8 Tooth, Assembly
42	334163	Bearing & Retainer Assy
43	35497	Screw, WaTap 5/16-18x1/2 In.
44	579867	Chain, Roller #42

313995E

CRAFTSMAN 22" SNOW THROWER 536.886120

GEAR CASE REPAIR PARTS

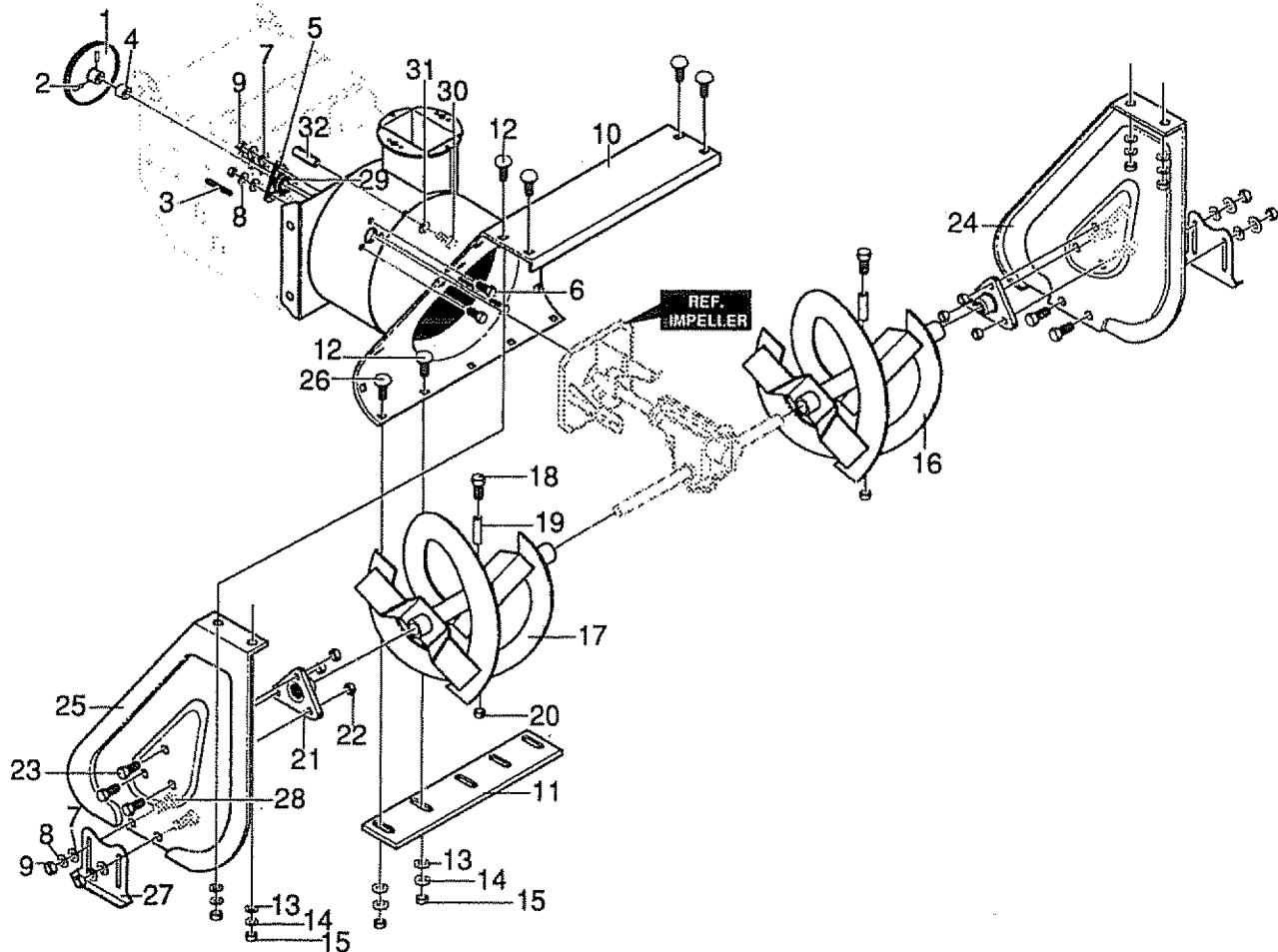


REF. NO.	PART NO.	PART NAME
1	10577	Case, Gear Box R.H.
2	10576	Case, Gear Box L.H.
3	180020	Screw, HHC, 1/4-20x3/4 In.
4	46931	Locknut, Wd Fl, 5/16-24 Thd.
5	303008	Nut, Hex Keps, 1/4-20 Thd.
6	9344	Screw, WaTap, 3/8-16x1/2 In.
7	9566	Seal, Oil
8	50304	Bearing, Flange
9	9346	Flatwasher, .752x1.24x.09
10	581388	Shaft, Auger, 22 In.

REF. NO.	PART NO.	PART NAME
11	51279	Gasket, Gear Case
12	51405	Gear, Worm
13	431787	Key, Woodruff #61
14	50221	Bearing, Flange
15	583125	Shaft, Worm Impeller
16	580295	Collar, Thrust
17	454565	Pin, Spring
18	313828	Bearing, Roll
19	585598-830	Impeller Assembly

CRAFTSMAN 22" SNOW THROWER 536.886120

AUGER HOUSING REPAIR PARTS



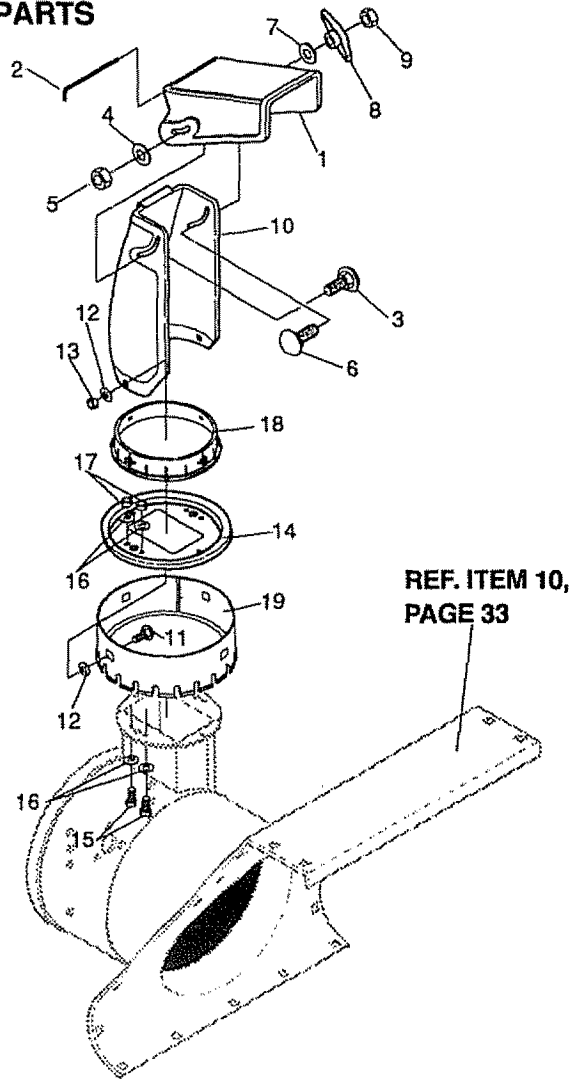
REF. NO.	PART NO.	PART NAME
1	583124	Pulley, Auger Drive
2	577400	Screw, Set, 5/16-18 x 1/2 In.
3	71371	Key, Square
4	583219	Spacer, Sleeve, .676x1.00x.52
5	582960	Ball Bearing Retainer
6	180077	Screw, 5/16-18 x 3/4 In.
7	120393	Flatwasher, 11/32 In.
8	120638	Lockwasher, Split, 5/16 In.
9	120376	Nut, 5/16-18 Thd.
10	333910-854	Housing, Auger Assembly
11	581395-853	Blade, Scraper, 22 In.
12	3809	Bolt, Carriage, 1/4-20 x 5/8 In.
13	120392	Flatwasher, 9/32 x 5/8 In.
14	120380	Lockwasher, Split, 1/4 In.
15	120375	Nut, Hex, 1/4-20 Thd.
16	305205-830	Auger, Assembly LH

REF. NO.	PART NO.	PART NAME
17	305203-830	Auger, Assembly RH
18	9524	Screw, HHC, 1/4-20 x 1-3/4 In.
19	3943	Spacer, Sleeve, .250x.47x.20
20	1502	Locknut, 1/4-20 Thd.
21	9517	Bearing, Flange
22	8619	Nut, Wd Fl, 5/16-18 Thd.
23	9357	Screw, Wa, 5/16-18 x 3/4 In.
24	305938-854	Plate, Auger Side LH
25	305939-854	Plate, Auger Side RH
26	323825	Bolt, Carriage, 1/4-20 x 7/8
27	1161	Skid, Height Adjust
28	70993	Bolt, Carriage, 5/16-18x3/4 In.
29	49562	Bearing
30	180120	Screw, 3/8-16x.75 In.
31	120382	Washer, Hvsptlk
32	584809	Hub, Barke Arm

334922A

CRAFTSMAN 22" SNOW THROWER 536.886120

DISCHARGE CHUTE REPAIR PARTS

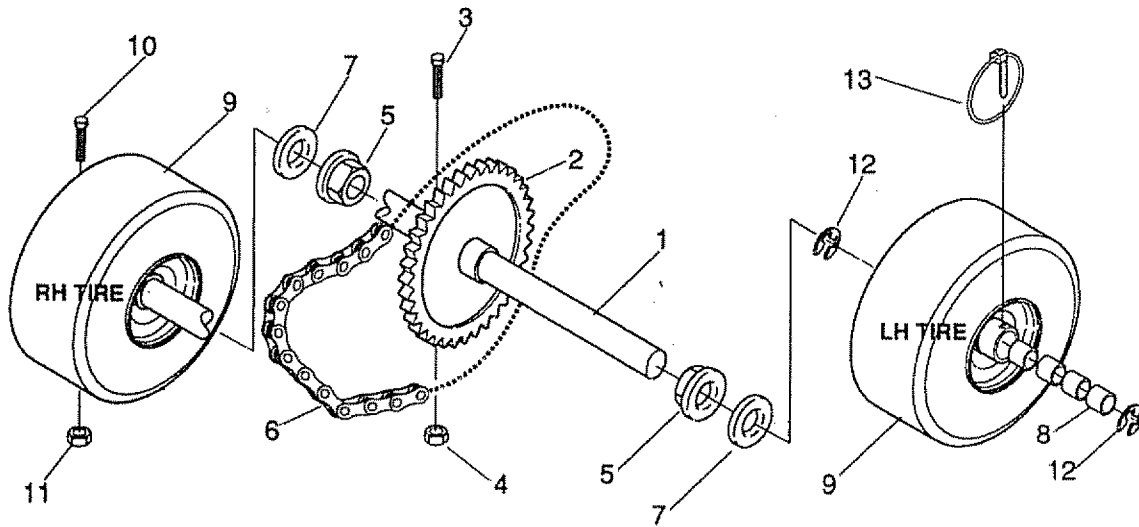


REF. NO.	PART NO.	PART NAME
1	307665	Upper Chute Deflector
2	308931	Wire, Chute Hinge
3	58208	Screw, SltMa, 5/16-18 x 3/4 In.
4	302680	Flatwasher, .312 x .73 x .065
5	1498	Locknut, Hex, 5/16-18 Thd.
6	302843	Bolt, Carr, 5/16-18x1-1/4In.
7	302680	Flatwasher, .312x.73x.065
8	13527	Knob, Tee
9	120376	Nut, Hex, 5/16-18 Thd.
10	585414	Lower Chute
11	302843	Screw, HHC, 1/4-20 x 1/2 In.
12	120393	Flatwasher, .344 x .69 x .065
13	71038	Nut, 5/16-18 Hexnyl
14	585214-853	Collar, Chute Rectangular
15	180020	Screw, 1/4-20 x .75
16	120392	Flatwasher, .281x.63x.065
17	1502	Nut, 1/4-20 Reghexctrik
18	585194	Retainer, Ring Inner
19	585193	Retainer, Ring Outer

334214

CRAFTSMAN 22" SNOW THROWER 536.886120

WHEEL ASSEMBLY REPAIR PARTS

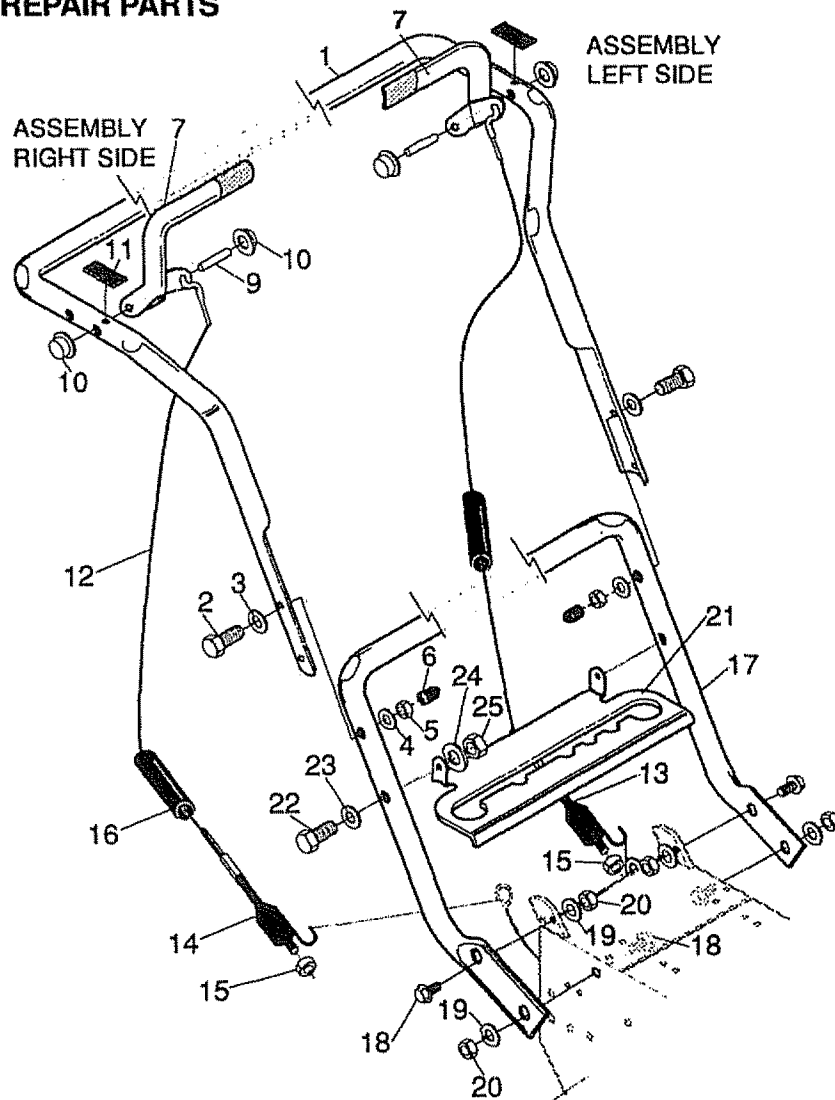


REF. NO.	PART NO.	PART NAME
1	580883	Shaft, Axle Wheel/Mid
2	583012	Sprocket & Hub Assy.
3	73839	Screw, 1/4-20x2.25
4	1502	Nut, 1/4-20 Reghexctrk
5	581730	Bearing, Flanged
6	579867	Chain, Roller #42
7	73840	Flatwasher, .765x1.12x.06
8	578572	Flanged Bearing
9	318504	Tire & Rim 12x4.1x6
10	577015	Screw, Shr 1/4-20x1.75
11	1502	Nut, 1/4-20 Reghexctrk
12	239	Ring, Retaining
13	73842	Pin, Klik .25x1.38 Dia.

318542

CRAFTSMAN 22" SNOW THROWER 536.886120

HANDLE ASSEMBLY REPAIR PARTS



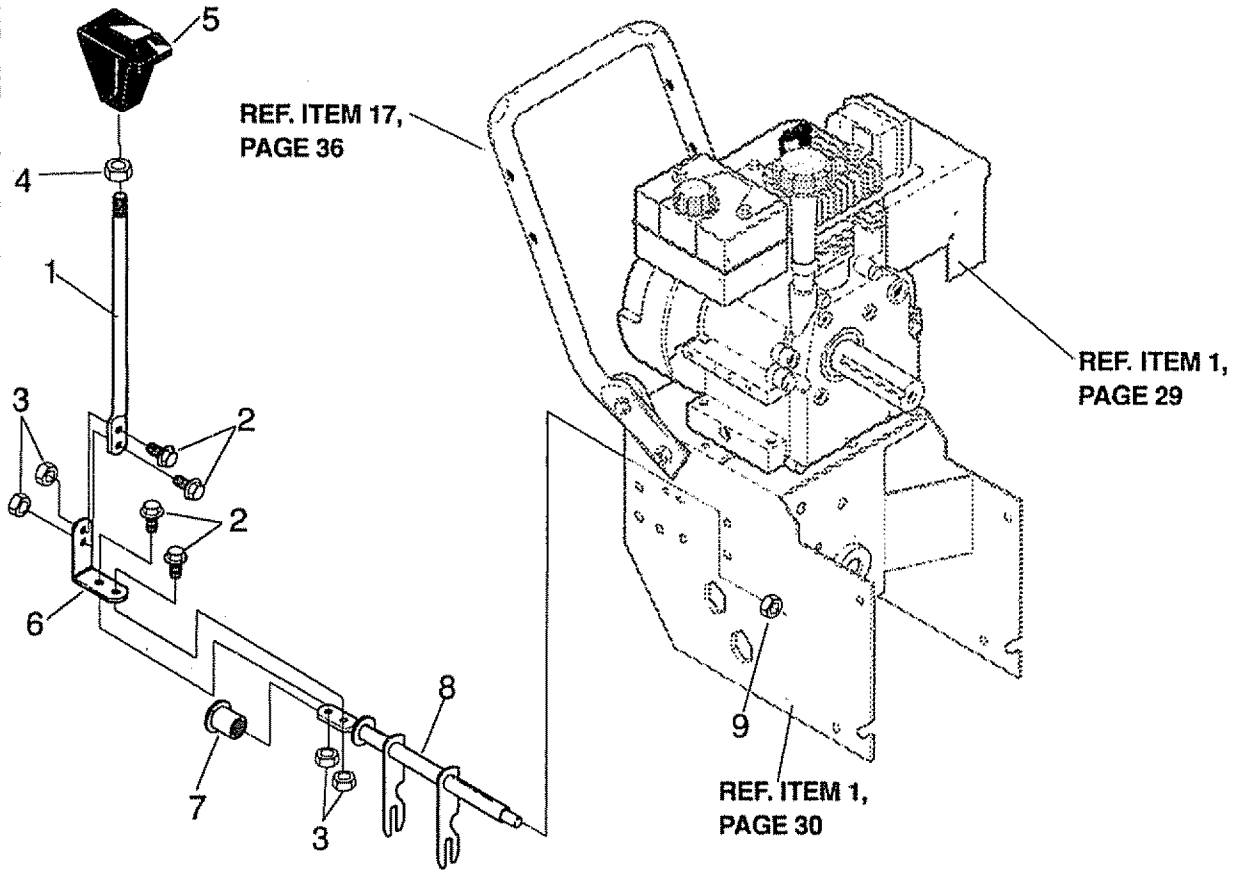
REF. ITEM 1,
PAGE 30

REF. NO.	PART NO.	PART NAME
1	9552-830	Handle, Upper
2	11234	Screw, Hex, 5/16-18 x 2-3/4 In.
3	120393	Flatwasher, 11/32 In.
4	120638	Lockwasher, Split, 5/16 In.
5	120376	Nut, Hex, 5/16-18 Thd.
6	11261	Stop, Red Plastic, 5/16 In.
7	334195	Handle, LH & RH Assy.
9	1058	Pin, Clutch Handle, Pivot
10	3535	Nut, Push On Cap, 5/16 In.
11	4049	Bumper
12	1579	Cable, Clutch
13	579869	Spring, Drive Clutch LH
14	1673	Spring, Auger Clutch RH

REF. NO.	PART NO.	PART NAME
15	1502	Nut, Hex Nyl, 1/4-20 In.
16	308146	Boot, Clutch Spring
17	580667-830	Handle, Lower
18	180077	Screw, HHC, 5/16-18 x 3/4 In.
19	120638	Washer, Spltk .31x 58x.08
20	120376	Nut, 5/16-18 Reghex
21	580639-830	Bracket, Shift
22	235	Screw, 5/16-18 x 2 In.
23	120393	Flatwasher, 11/32 In.
24	120638	Lockwasher, Split 5/16 In.
25	120376	Nut, Hex 5/16-18 Thd.

CRAFTSMAN 22" SNOW THROWER 536.886120

SHIFT YOKE REPAIR PARTS

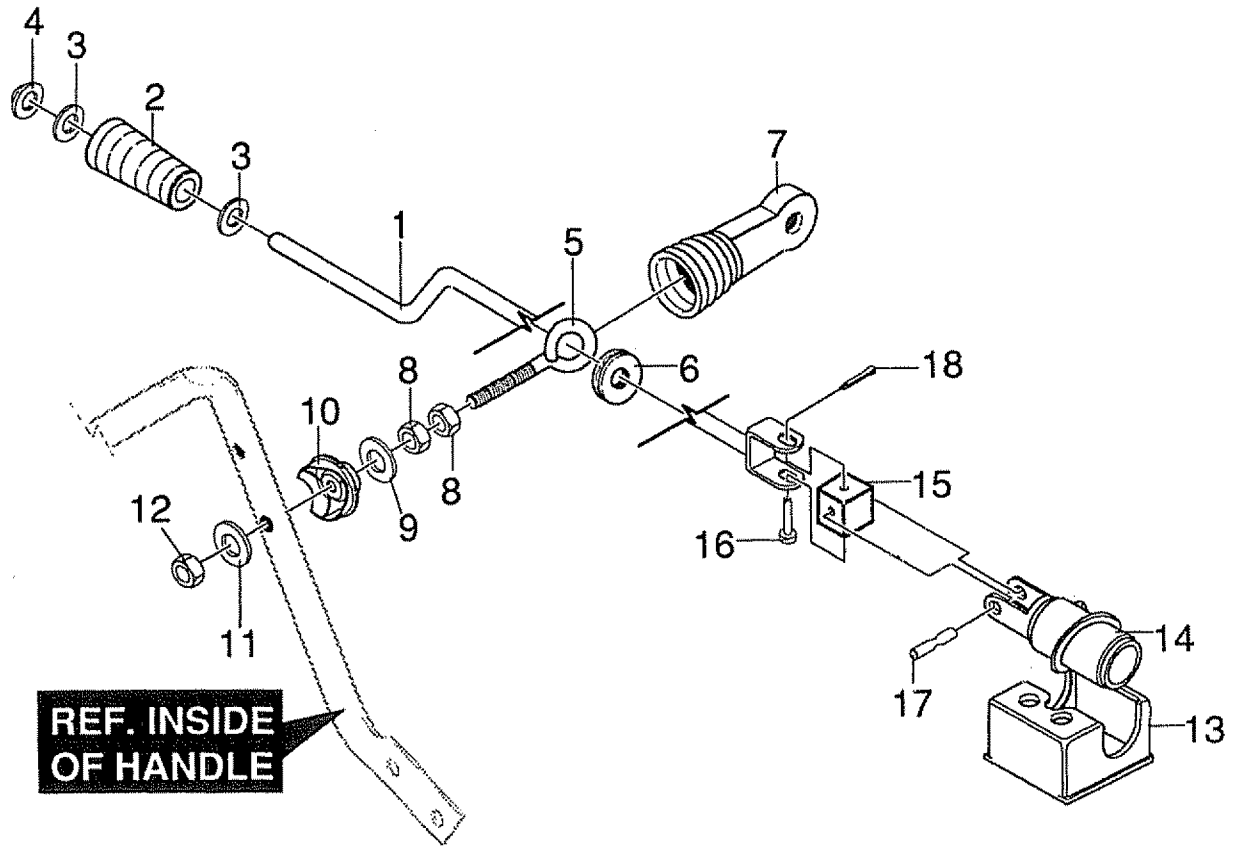


REF. NO.	PART NO.	PART NAME
1	580769-830	Rod, Shift
2	51332	Screw, WdFl, 1/4-20x5/8 In.
3	1502	Locknut, Hex, 1/4-20 Thd.
4	318486	Nut, HexJam, 1/2-13 Thd.
5	304438	Knob, Shift, 1/2-13 Thd.
6	326998	Plate, Shift Lever
7	579944	Bearing, Flange
8	581795	Speed Select, Rod Assembly
9	1499	Locknut, Hex, 3/8-16 Thd.

319053

CRAFTSMAN 22" SNOW THROWER 536.886120

CHUTE CONTROL ROD REPAIR PARTS



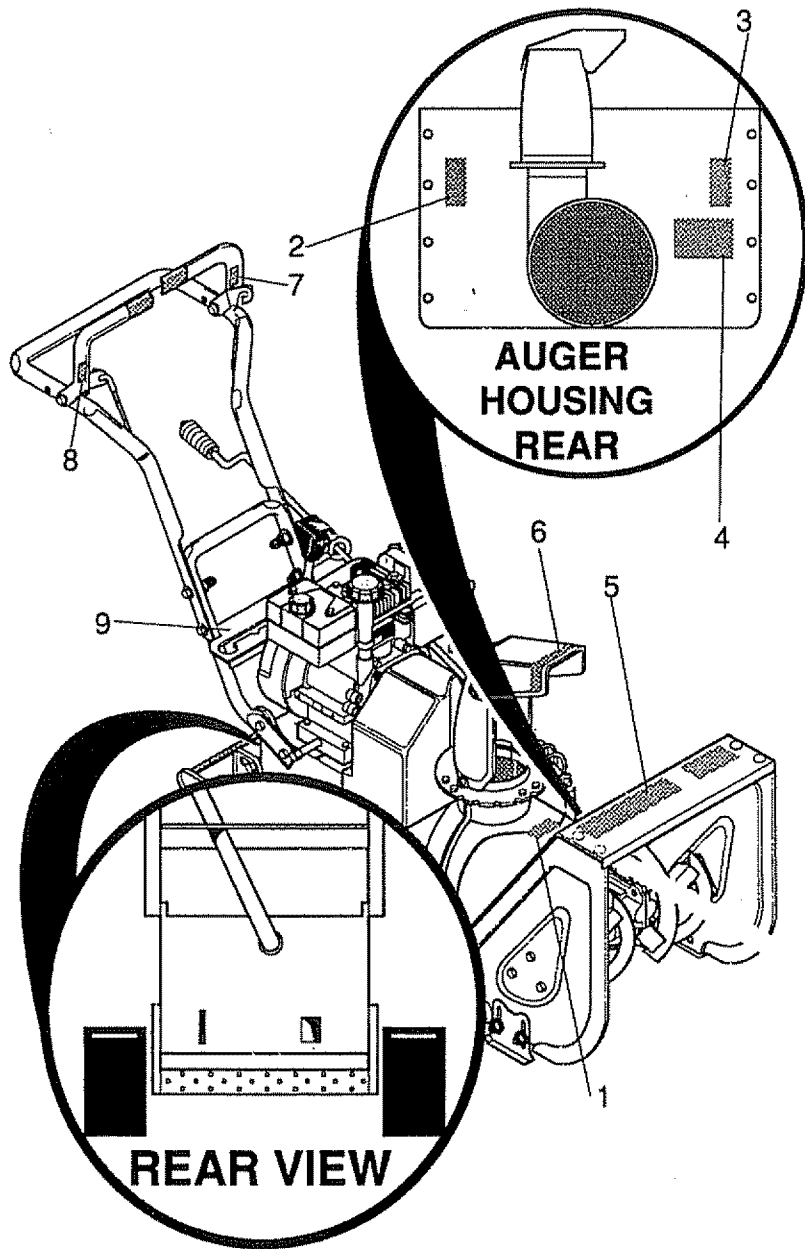
REF. NO.	PART NO.	PART NAME
1	585426	Crank Assy. w/Yoke
2	307399	Handle, Chute Crank
3	309312	Flatwasher, .39x.70x.05
4	578159	Ring, Retaining
5	71457	Eye Bolt, 3/8-16x5.00
6	148	Grommet, Eye Bolt
7	308145	Boot, Eyebolt Chute Crank
8	124629	Nut, 3/8-16 Hexjam
9	120394	Flatwasher, .406x.81x.065
10	309344	Adapter, Boot to Handle
11	120394	Flatwasher, .406x.81x.065

REF. NO.	PART NO.	PART NAME
12	71046	Nut, Hex Nyl 3/8-16 Thd.
13	585195	Bracket, Worm Mounting
14	585196	Worm, Gear Chute
15	304552	Block, Universal Joint
16	304877	Clevis Pin
17	304551	Pin, Universal Joint
18	579493	Cotter Pin, .06x.50

3342158

CRAFTSMAN 22" SNOW THROWER 536.886120

DECALS

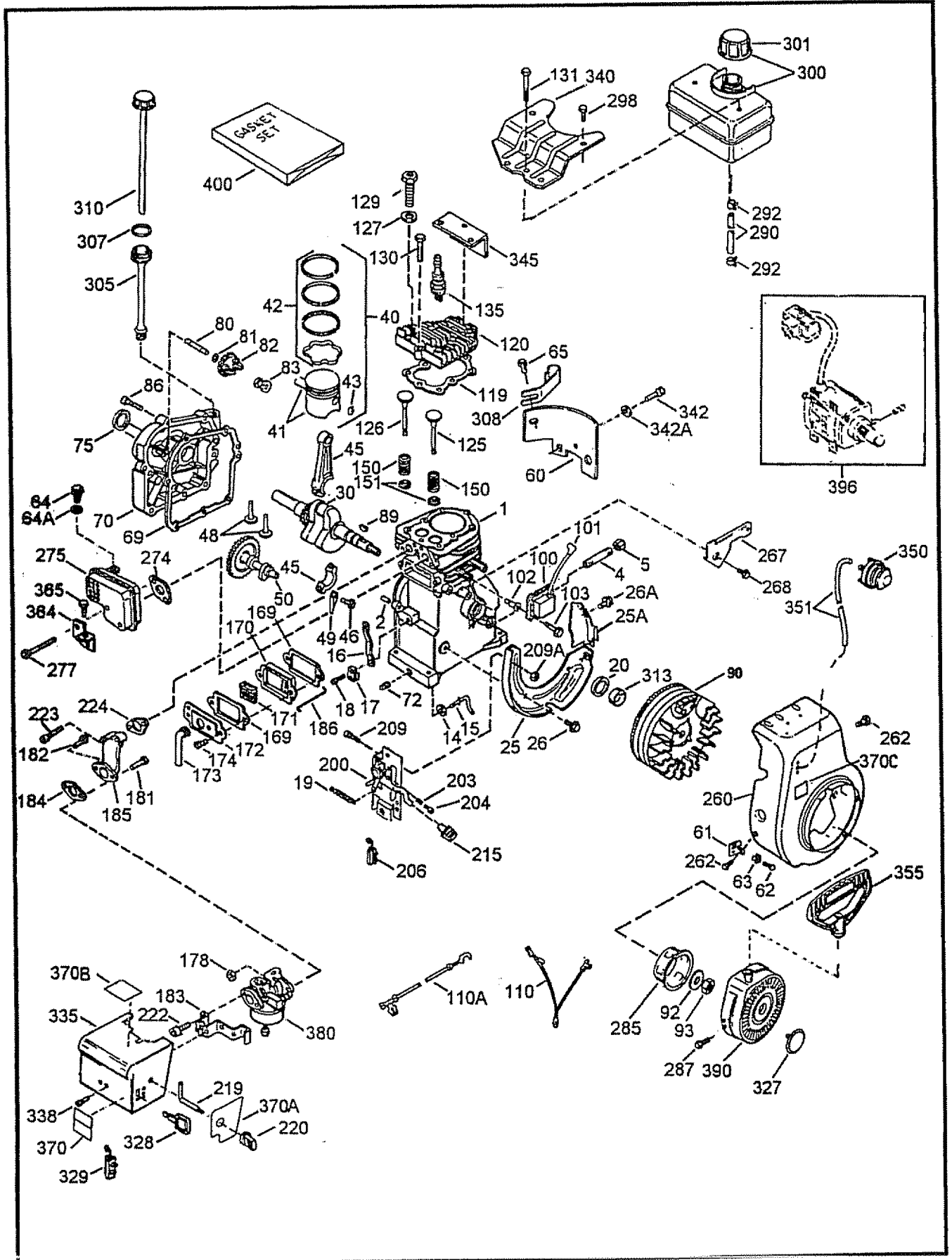


REF. NO.	PART NO.	PART NAME
1	302487	Decal, 9" Impeller
2	70141	Decal, Danger Auger
3	313892	Decal, Danger Chute
4	302922	Decal, Danger Instruction
5	334151	Decal, Electric Start
6	308768	Decal, Danger Stripe Chute
7	3902	Decal, Traction Drive Engage
8	3903	Decal, Auger Drive Engage
9	319033	Decal, Gear Selector

314005

CRAFTSMAN 4-CYCLE ENGINE

MODEL NUMBER 143.955001



CRAFTSMAN 4-CYCLE ENGINE

MODEL NUMBER 143.955001

KEY#	PART#	DESCRIPTION	QTY	KEY#	PART#	DESCRIPTION	QTY
1	36469	Cylinder (Incl 2, 20, &72)	1	150	31672	Valve Spring	2
2	26727	Dowel Pin	2	151	31673	Valve Spring Cap	2
4	30968	Oil Drain Extension	1	169 *	27234A	Valve Cover Gasket	2
5	30969	Extension Cap	1	170	27666	Breather Body	1
14	28277	Washer	1	171	31410	Breather Element	1
15	31334	Governor Rod	1	172	34146	Valve cover	1
16	31510	Governor Lever	1	173	35350	Breather Tube	1
17	31335	Governor Lever Clamp	1	174	30200	Screw, 10-24 x 9/16"	2
18	650548	Screw, 8-32 x 5/16"	1	178	29752	Nut & Lock Washer, 1/4-28	2
19	31426	Extension Spring	1	181	650870	Screw, 1/4-28 x 1-11/16"	1
20	32600	Oil Seal	1	182	6201	Screw, 1/4 x 7/8"	1
25	33342	Blower Housing Baffle	1	183	34583	Choke Bracket	1
25A	35883	Baffle Extension	1	184 *	26756	Carburetor To Intake Pipe Gasket	2
26	650802	Screw, 1/4-20 x 5/8"	2	185	33691	Intake Pipe	1
26A	650926	Screw, 8-32 x 21/64"	1	186	32698	Governor Link	1
30	34740	Crankshaft	1	200	33858A	Control Bracket (Incl, 203, 204, 206,209 &209A)	1
40	36073	Piston, Pin & Ring Set (Std.)	1	203	31342	Compression Spring	1
40	36074	Piston, Pin & Ring Set (.010" OS)	1	204	650549	Screw, 5-40 x 7/16"	1
40	36075	Piston, Pin & Ring Set (.020" OS)	1	206	610973	Terminal	1
41	36070	Piston & Pin Ass'y. (Std.) (Incl. 43)	1	209	650139	Screw, 8-32 x 1/2"	2
41	36071	Piston & Pin Ass'y. (.010" OS) (Incl. 43)	1	209A	30322	Lock Nut, 8-32	2
41	36072	Piston & Pin Ass'y. (.020" OS) (Incl. 43)	1	215	35440	Control Knob	1
42	36076	Ring Set (Std.)	1	219	34582	Choke Rod	1
42	36077	Ring Set (.010 OS)	1	220	35438	Choke Knob	1
42	36078	Ring Set (.020 OS)	1	222	28820	Screw, 10-32 x 1/2"	2
43	20381	Piston Pin Retaining Ring	2	223	650664	Screw, 1/4-20 x 1-19/32"	2
45	32875	Connection Rod Ass'y. (Incl. 46 & 49)	1	224 *	33673A	Intake Pipe Gasket	1
46	32610A	Connecting Rod Bolt	2	260	35656A	Blower Housing	1
48	27241	Valve Lifter	2	262	29212	Screw, 1/4-28 x 7/16"	2
49	32654	Oil Dipper	1	267	34212	Hold Down Bracket	1
50	33158	Camshaft (BCR)	1	268	30200	Screw, 10-24 x 9/16"	1
60	29745	Blower Housing Extension	1	274 *	33670A	Exhaust Gasket	1
61	34126	Grommet Mounting Bracket	1	275	35771	Muffler (Incl. 274)	1
62	650760	Screw, 8-32 x 3/8"	1	277	650327	Screw, 1/4-20 x 2-1/2"	2
63	28545	Grommet	1	285	36476	Starter Cup	1
64	30063	Screw, Torx T-30, 1/4-30 x 1/2"	1	287	650926	Screw, 8-32x 21/64"	3
64A	8345	Washer	1	290	30705	Fuel Line	1
65	650128	Screw, 10-24 x 1/2"	1	292	26460	Fuel Line Clamp	2
69 *	27677A	Cylinder Cover Gasket	1	298	650665	Screw, 1/4-15 x 7/8"	2
70	34674C	Cylinder Cover (Incl. 75 & 80)	1	300	35584	Fuel Tank (incl. 292 7301)	1
72	27642	Oil Drain Plug	1	301	35355	Fuel Cap	1
75	27897	Oil Seal	1	305	35554	Oil Fill Tube	1
80	30574A	Governor Shaft	1	307	35499	"O" Ring	1
81	30590A	Washer	1	308	35539	Fill Tube Clip	1
82	30591	Governor Gear Ass'y. (Incl. 81)	1	310	35556	Dipstick	1
83	30588A	Governor Spool	1	313	34080	Spacer	1
86	650488	Screw, 1/4-20 x 1-1/4"	7	327	35392	Starter Plug	1
89	610961	Flywheel Key	1	328	35593	Switch Key (Craftsman	1
90	611199	Flywheel *W/Ring Gear	1	329	610973	Terminal	1
92	650815	Belleville Washer	1	335	35072	Carburetor Cover	1
93	650863	Flywheel Nut	1	338	650257	Screw, 8-32 x 5/16"	2
100	34443A	Solid State Ignition	1	340	36247	Fuel Tank Bracke	1
101	610118	Spark Plug Cover	1	342	30063	Screw, Torx T-30, 1/4-20 x 1/2"	1
102	650872	Solid State Mounting Stud	2	342A	650675	Washer	2
103	650814	Screw, torx T-15, 10-24 x 1"	2	345	33344	Heat Baffle	1
110	35557	Ground Wire	1	350	570682	Primer Ass'y.	1
110A	35285	Ground Wire	1	351	32180C	Primer Line	1
119 *	36443	Cylinder Head Gasket	1	355	590574	Starter Handle	1
110	36441	Cylinder Head (Incl. 131)	1	364	33333	Carburetor Cover Bracket	1
115	29313C	Exhaust Valve (Std.) (Incl. 151)	1	365	650735	Screw, 10-24 x 3/8"	1
125	29315C	Exhaust Valve 91/32" OS) (Incl. 151)	1	370	36261	Lubrication Decal	1
126	32644A	Intake Valve (Std.) (Incl. 151)	1	370A	35282	Control Decal	1
126	32645A	Intake Valve (1/32" OS) (Incl. 151)	1	370B	35878	Intructional Decal	1
127	650691	Washer	1	370C	36501	Primer Decal	1
129	650818	Screw, 5/16-18 x 1-1/2"	1	380	632107A	Carburetor (Incl. 184)	1
130	6021A	Screw, 5/16-18 x 1-1/2"	2	390	590646	Rewind Starter	1
131	650694	Screw, 5/16-18 x 2"	5	396	33290D	Electric Starter Motor (110 Volt) (Optional)	0
135	35395	Resistor Spark Plug (RJ19LM)	1	400	36444	Gasket Set (Incl. items marked *)	1

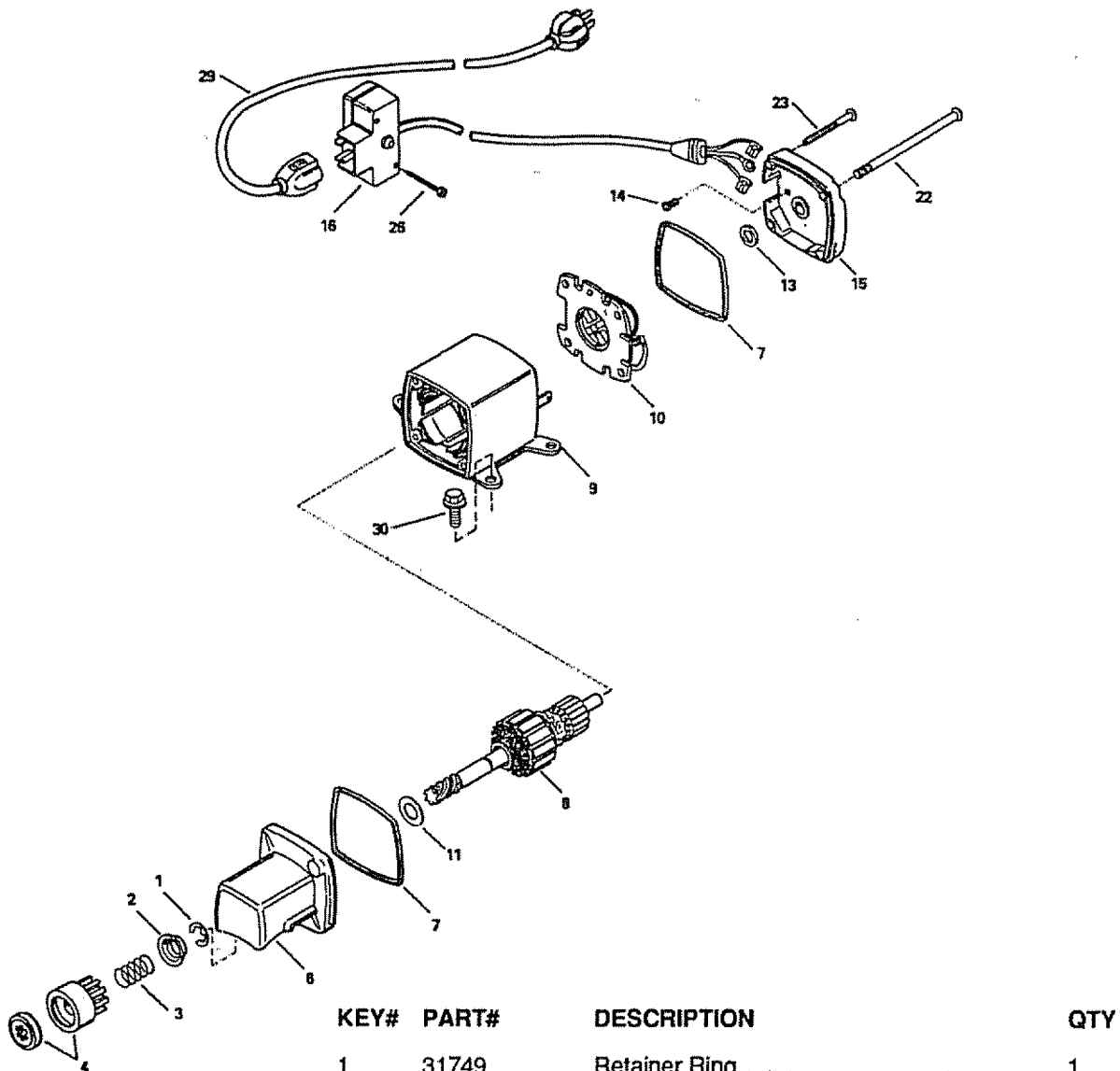
CARBURETOR NO. 632107A

KEY#	PART#	DESCRIPTION	QTY
1	631615	Throttle Shaft & Lever Assembly	1
2	631767	Throttle Return Spring	1
6	631036	Throttle Shutter	1
7	650506	Shutter Screw	2
10	632108	Choke Shaft & Lever Assembly	1
14	631815	Choke Shutter	1
15	630735	Choke Positioning Spring	1
16	631807	Fuel Fitting	1
17	650417	Throttle Crack Screw/Idle Speed Screw	1
18	630766	Tension Spring	1
20	631838	Idle Mixture Screw	1
21	630766	Tension Spring	1
22	630739	Idle Mixture Screw Washer	1
23	630740	Idle Mixture Screw "O" Ring	1
25	631951	Float Bowl Assy (Incl 32&33)	1
27	631024	Float Shaft	1
28	632019	Float	1
29	631028	Float Bowl "O" Ring	1
30	631021	Inlet Needle, Seat & Clip (Incl 31)	1
31	631022	Spring Clip	1
32	27136A	Bowl Drain Assy	1
33	27554	Drain Plunger Gasket	1
40	31839	Main Adj. Screw Ass'y. (Incl. 41 thru 44)	1
41	630740	High Speed Mixture Screw "O" Ring	1
42	630739	High Speed Mixture Screw Washer	1
43	630738	High Speed Mixture Screw Tension Spring	1
44	27110	Bowl Nut Washer	1
47	630748	Welch Plug, Idle Mixture Well	1
48	631027	Welch Plug, Atmospheric Vent	1
60	31840	Repair Kit (Incl items marked *)	1

STARTER NO. 590646

KEY#	PART#	DESCRIPTION	QTY
1	590599A	Recoil Starter	1
2	590600	Spring Pin (Incl 4)	1
3	590615	Retainer	1
4	590601	Washer	1
5	590598	Brake Spring	1
6	590616	Starter Dog	2
7	590617	Dog Spring	2
8	590645A	Pulley Ass'y. (Incl 9&10)	1
9	590619	Rewind Spring	1
10	590620	Spring Cover	1
11	590647	Starter Housing Ass'y.	1
12	590535	Starter Rope (Length 98" x 9/64" dia.)	1
13	590474	Mitten Grip Handle (Not included with starter)	1

STARTER MOTOR NO 33290D



KEY#	PART#	DESCRIPTION	QTY
1	31749	Retainer Ring	1
2	33522	Spring Retainer	1
3	33769	Anti-drift Spring	1
4	33524	Nut & Gear	1
6	35461	Drive End cap Ass'y. (Incl. 7)	1
7	35450	"O" Ring	2
8	35912	Armature	1
9	35459A	Housing Ass'y.	1
10	35452A	Brush & Spring Card Ass'y.	1
11	35911	Thrust Washer	1
13	590500	Thrust Easher	1
14	33441	Ground Screw	1
15	35453	Commutator End Cap Ass'y. (Incl. 7)	1
16A	35454	Switch Box Ass'y. (Incl. 21)	1
22	35462	Case Bolt	2
23	35456	Grounding Screw	1
27A	650819	Screw, 6-32 x 2-1/2"	2
29	32450B	Extension Cord (10"6")	1
30	650759	Screw, Torx T-30, 1/4-20 x 23/32	3

SEARS

**OWNER'S
MANUAL**

**MODEL NO.
536.886120**

**HOW TO ORDER
REPAIR PARTS**

CRAFTSMAN®

**5 HORSEPOWER
22" DUAL STAGE
SNOW THROWER
120V. ELECTRIC START**

Each SNOW THROWER has its own MODEL NUMBER found on the engine mount frame.

Each ENGINE has its own MODEL NUMBER found on the BLOWER HOUSING.

Always mention these MODEL NUMBERS when requesting service or Repair Parts for your SNOW THROWER.

All parts may be ordered through Sears, Roebuck and Company Service Centers and most Retail Stores.

**WHEN ORDERING REPAIR PARTS, ALWAYS
GIVE THE FOLLOWING INFORMATION:**

- * PRODUCT - "SNOW THROWER"
- * MODEL NUMBER - 536.886120
- * ENGINE MODEL NUMBER - 143.955001
- * PART NUMBER
- * PART DESCRIPTION

"Your Sears merchandise has added value when you consider that Sears has service units nationwide staffed with Sears trained technicians...Professional technicians specifically trained on Sears products, having the parts, tools and equipment to insure that we meet our pledge to you...we service what we sell."

SEARS, ROEBUCK AND CO., Hoffman Estates, IL 60179

334179 08/16/94

Printed in U.S.A.

MANUAL IMPORTANTE

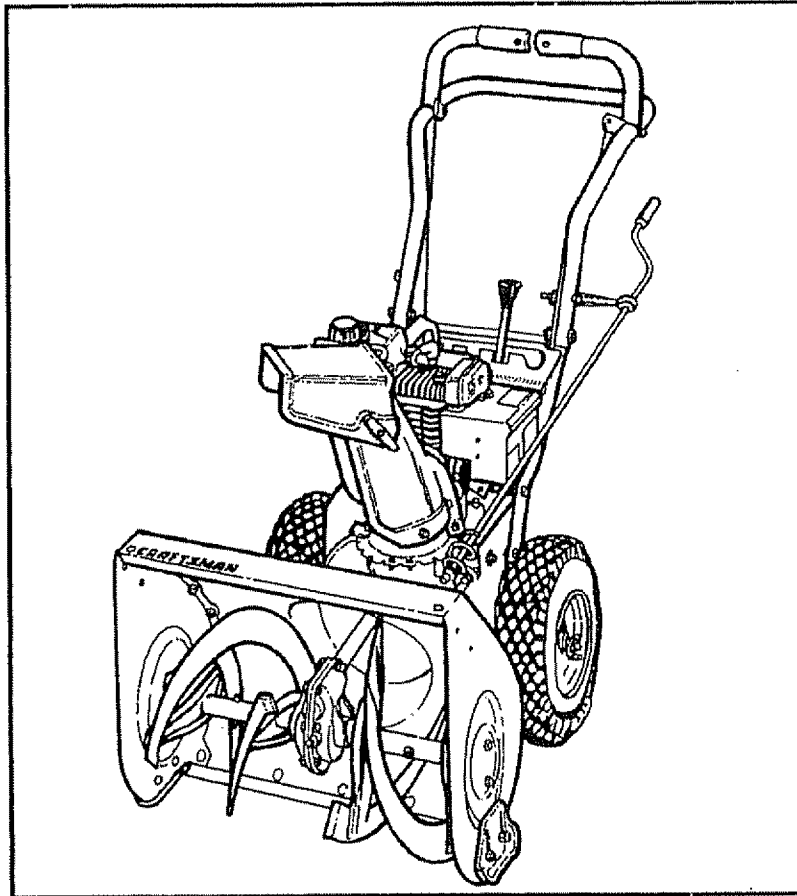
NO LO BOTE

SEARS
MANUAL DEL
PROPIETARIO

MODELO NO.
536.886120

Precaución:

Lea y siga todas las reglas e instrucciones de seguridad antes de operar este equipo



CRAFTSMAN®
5 CABALLOS DE FUERZA
DOS ETAPAS, 56 CM
(22 PULGADAS)
REMOVEDORA DE NIEVE
ARRANQUE ELÉCTRICO

- Montaje
- Operación
- Responsabilidades del cliente
- Reparación y ajustes
- Piezas de repuesto

SEARS, ROEBUCK AND CO., Hoffman Estates, IL 60179 U.S.A.

REGLAS DE SEGURIDAD

PRECAUCION: SIEMPRE DESCONECTE EL ALAMBRE DE LA BUJIA Y COLOQUELO DONDE NO HAGA CONTACTO CON LA BUJIA PARA EVITAR UN ARRANQUE ACCIDENTAL AL MONTAR, TRANSPORTAR, AJUSTAR O EFECTUAR REPARACIONES.



IMPORTANTE

LOS ESTANDARES DE SEGURIDAD REQUIEREN LA PRESENCIA DEL OPERADOR EN LOS CONTROLES PARA MINIMIZAR EL RIESGO DE HERIDAS. SU REMOVEDORA DE NIEVE ESTA EQUIPADA CON DICHS CONTROLES. NO INTENTE PASAR POR ALTO LA FUNCION DEL CONTROL DE PRESENCIA DEL OPERADOR BAJO NINGUNA CIRCUNSTANCIA.

CAPACITACION

1. Lea el manual del operador cuidadosamente. Familiarícese completamente con los controles y el uso apropiado de la removedora de nieve. Sepa cómo detener la removedora de nieve y desenganchar los controles rápidamente.
2. Nunca permita a niños operar la removedora de nieve y manténgalos fuera del alcance de la misma mientras se encuentra en operación. Nunca permita que adultos operen la removedora de nieve sin instrucción apropiada. No lleve pasajeros.
3. Mantenga el área libre de personas, especialmente niños pequeños y mascotas.
4. Tenga precaución a fin de evitar deslizamientos o caídas, especialmente al operar la removedora de nieve en retroceso.

PREPARACION

1. Inspeccione completamente el área donde se usará la removedora de nieve y retire todas las esteras, trineos, tableros, alambres, y otros objetos extraños.
2. Desenganche todos los embragues y cambie a neutro antes de arrancar el motor.
3. No opere la removedora de nieve sin vestir las prendas de invierno adecuadas para ambientes exteriores. Vista calzado que mejore su estabilidad en superficies lisas.
4. Maneje el combustible con cuidado; es altamente inflamable.
 - (a) Use un contenedor para combustible aprobado.
 - (b) Nunca retire la tapadera del tanque de combustible o añada combustible a un motor en marcha o a un motor caliente.
 - (c) Llène el tanque para combustible al aire libre, con cuidado extremo. Nunca llene el tanque en ambientes interiores.
 - (d) Coloque nuevamente la tapadera del tanque para combustible de manera segura y limpie el combustible derramado.
 - (e) Nunca almacene combustible o la removedora de nieve con combustible en el tanque dentro de un edificio donde los vapores pudiesen entrar en contacto con una llama desprotegida o una chispa.
 - (f) Verifique las existencias de combustible antes de cada uso, permitiendo espacio para expansión puesto que el calor del motor y/o

el sol pueden causar la expansión del combustible.

5. Use cables de extensión y receptáculos de la manera especificada por el fabricante para todas las removedoras de nieve con motores accionados por energía eléctrica o motores de arranque eléctrico.
6. Ajuste la altura de la removedora de nieve para pasar sobre superficies de grava o piedra triturada.
7. Jamás intente efectuar ningún ajuste mientras el motor se encuentra en marcha (excepto cuando el fabricante lo recomiende así específicamente).
8. Permita que el motor y la removedora de nieve se ajusten a las temperaturas exteriores antes de comenzar a retirar la nieve.
9. Siempre use gafas de seguridad o protectores para los ojos durante la operación o mientras se efectúa un ajuste o reparación para proteger sus ojos de objetos extraños que pudiesen ser lanzados por la removedora de nieve.

OPERACION

1. No coloque las manos o los pies cerca o bajo piezas rotativas. Manténgase a distancia de la abertura para descarga todo el tiempo.
2. Tenga precaución extrema al operar sobre o al cruzar caminos, aceras, o calles de grava. Manténgase alerta en caso de peligros ocultos o tráfico.
3. Después de golpear un objeto extraño, pare el motor, retire el alambre de la bujía, desconecte el cable en motores eléctricos, inspeccione completamente la removedora de nieve a fin de encontrar cualquier daño, y reparar dicho daño antes de arrancar y operar la removedora de nieve nuevamente.
4. En el caso de que la removedora de nieve comienza a vibrar fuera de lo normal, pare el motor y revise la máquina inmediatamente para encontrar la causa. Generalmente, la vibración es una advertencia de problemas.
5. Pare el motor dondequiera que deje la posición de operación, antes de desobstruir el alojamiento del barreno/propulsor o guía de descarga, y cuando efectúe cualesquiera reparaciones, ajustes, o inspecciones.
6. Al limpiar, reparar, o inspeccionar la máquina asegúrese de que el barreno/propulsor y toda parte móvil se hayan detenido. Desconecte el alambre de la bujía y manténgalo alejado de la bujía para evitar un arranque accidental.

7. Tome todas las precauciones posibles al dejar la removedora de nieve desatendida. Desenganche el barrenador/propulsor, cambie a neutro, pare el motor, y retire la llave.
8. No ponga en marcha el motor en ambientes interiores, excepto al arrancar el motor y para transportar la removedora de nieve hacia adentro o hacia afuera del edificio. Abra las puertas exteriores; el humo del escape es peligroso (contiene MONOXIDO DE CARBONO, un GAS INODORO y I.ETAL).
9. No limpie nieve perpendicularmente a la dirección de pendientes. Tenga precaución al cambiar de dirección en pendientes. No intente limpiar pendientes pronunciadas.
10. Nunca opere la removedora de nieve sin que los resguardos, placas u otros dispositivos de seguridad se encuentren en su lugar.
11. Nunca opere la removedora de nieve cerca de recintos de vidrio, automóviles, huecos de ventanas, sitios de carga/descarga, y similares sin el ajuste apropiado del ángulo de descarga de la nieve. Mantenga niños y mascotas alejados.
12. No sobrecargue la capacidad de la máquina al intentar limpiar nieve a una velocidad demasiado rápida.
13. Nunca opere la removedora de nieve a altas velocidades de transporte sobre superficies resbalosas. Mire hacia atrás y tenga cuidado al retroceder.
14. Nunca descargue directamente sobre espectadores ni permita a nadie frente a la removedora de nieve.
15. Desenganche la fuerza motriz al barrenador/propulsor cuando la removedora de nieve sea transportada o esté fuera de uso.
16. Utilice únicamente aditamentos y accesorios aprobados por el fabricante de la removedora de nieve (tales como cadenas antiderrapantes para las llantas, juegos de arranque eléctrico, etc.).
17. Nunca opere la removedora de nieve sin buena visibilidad o iluminación. Siempre esté seguro de su estabilidad, y mantenga un agarre firme de las manijas. Camine; jamás corra.

MANTENIMIENTO Y ALMACENAMIENTO

1. Revise los pernos de seguro por esfuerzo cortante y otros pernos que frecuentemente no están apretados adecuadamente para asegurarse de que la removedora de nieve está en condiciones seguras de trabajo.
2. Nunca almacene la removedora de nieve con combustible en el tanque para combustible dentro de un edificio en el cual se encuentran presentes fuentes de ignición tales como agua caliente y calentadores de espacio, secadoras de ropa, y similares. Permita que el motor se enfríe antes de almacenarlo en cualquier recinto.
3. Siempre refiérase a las instrucciones del manual del operador para consulta de los detalles importantes si la removedora de nieve será almacenada durante un período de tiempo prolongado.
4. Mantenga o coloque de nuevo las etiquetas de seguridad e instrucciones, de acuerdo a lo que sea necesario.
5. Mantenga la removedora de nieve en marcha unos cuantos minutos después de tirar la nieve para evitar el congelamiento del barrenador/propulsor.

ADVERTENCIA

Esta removedora de nieve se usa para aceras, caminos de entrada, y otras superficies de terreno planas. Se debe tener mucha PRECAUCION al utilizarla en superficies con pendiente pronunciada. NO USAR LA REMOVEDORA DE NIEVE SOBRE SUPERFICIES POR ENCIMA DEL NIVEL DEL TERRENO, tales como techos de residencias, cocheras, porches u otras de tales estructuras o edificios.



BUSQUE ESTE SIMBOLO PARA DESTACAR PRECAUCIONES DE SEGURIDAD IMPORTANTES. ESTO SIGNIFICA—¡¡¡ATENCIÓN!!! ¡¡¡ESTE ALERTA!!! SU SEGURIDAD ESTA DE POR MEDIO.



FELICITACIONES en su compra de una Removedora de nieve Craftsman de Sears. Esta ha sido diseñada y fabricada usando técnicas de ingeniería para brindarle la confiabilidad y rendimiento más altos posibles.

En el caso de que experimente cualquier problema que no pueda remediar fácilmente, por favor póngase en contacto con su Centro/Departamento de servicio Sears más cercano. Sears tiene técnicos competentes, capacitados así como también las herramientas adecuadas para brindar servicio de mantenimiento o reparar esta unidad.

Por favor lea y guarde este manual. Las instrucciones le permitirán efectuar el montaje y dar mantenimiento a la removedora de nieve apropiadamente. Siempre observe las "REGLAS DE SEGURIDAD."

<p>NUMERO DE MODELO 536.886120</p> <p>NUMERO DE SERIE _____</p> <p>FECHA DE COMPRA _____</p> <p>LOS NUMEROS DE MODELO Y DE SERIE SE ENCUENTRAN EN LA CALCOMANIA ADHERIDA A LA PARTE POSTERIOR DEL ALOJAMIENTO DE LA REMOVEDORA DE NIEVE.</p> <p>SE RECOMIENDA REGISTRAR EL NUMERO DE SERIE Y LA FECHA DE COMPRA Y GUARDARLOS EN UN LUGAR SEGURO PARA REFERENCIA FUTURA.</p>

RESPONSABILIDADES DEL CLIENTE

- Leer y observar las reglas de seguridad.
- Seguir un programa regular para el mantenimiento, cuidado y uso de la removedora de nieve.
- Seguir las instrucciones bajo las secciones "Responsabilidades del cliente" y "Almacenamiento" de este manual del propietario.

ESPECIFICACIONES DEL PRODUCTO

CABALLOS DE FUERZA:	5CV
DESPLAZAMIENTO:	12.04 pulg. cúbicas
CAPACIDAD DE GASOLINA:	2 cuartos, Sin plomo
ACEITE (capacidad de 21 onzas):	5W - 30
BUJIA :	Champion (ENTREHIERRO .030 pulg.) RJ19LM
HOLGURA DE VALVULAS:	Entrada: .010 pulg Escape: .010 pulg

CONTRATO DE MANTENIMIENTO

Se dispone de un Contrato de mantenimiento de Sears para este producto. Póngase en contacto con la Tienda Sears más cercana para obtener información detallada.

GARANTIA LIMITADA DE DO AÑOS SOBRE LA REMOVEDORA DE NIEVE CRAFTSMAN

Durante dos años a partir de la fecha de compra, cuando esta Removedora de nieve Craftsman sea mantenida, lubricada y afinada de acuerdo con las instrucciones en el manual del propietario, Sears reparará, sin recargo alguno, cualquier defecto en materiales y mano de obra.

Si esta Removedora de nieve Craftsman se usa para propósitos comerciales o de arrendamiento, esta garantía es válida durante 90 días a partir de la fecha de compra.

Esta garantía no cubre lo siguiente:

Elementos fungibles los cuales se gastan durante el uso normal, tales como bujías, correas de transmisión y clavijas de seguro por esfuerzo cortante.

Reparaciones necesarias debido al abuso o negligencia del operador, incluyendo cigüeñales doblados y la falta de mantenimiento del equipo de acuerdo con las instrucciones contenidas en el manual del propietario.

EL SERVICIO DE GARANTIA SE PUEDE OBTENER AL DEVOLVER LA REMOVEDORA DE NIEVE CRAFTSMAN AL CENTRO/DEPARTAMENTO DE SERVICIO SEARS MAS CERCANO EN LOS ESTADOS UNIDOS. ESTA GARANTIA ES VALIDA SOLO CUANDO ESTE PRODUCTO SEA USADO EN LOS ESTADOS UNIDOS.

Esta garantía le otorga derechos legales específicos, y asimismo es posible que tenga otros derechos los cuales varían de estado a estado.

SEARS, ROEBUCK AND CO. D/817WA, HOFFMAN ESTATES, IL 60179

TABLA DE CONTENIDOS

REGLAS DE SEGURIDAD	2,3	MONTAJE	6-9
ESPECIFICACIONES DEL PRODUCTO	4	OPERACION	10-15
RESPONSABILIDADES DEL CLIENTE		SERVICIO Y AJUSTES	19-25
.....	4,16-18	ALMACENAMIENTO	26
GARANTIA	4	SOLUCION DE PROBLEMAS	27
TABLA DE CONTENIDOS	5	PEDIDO/SERVICIO DE PIEZAS	28
INDICE	5		

INDICE

<p style="text-align: center;">A</p> <p>Ajustet:</p> <ul style="list-style-type: none"> Correa..... 20,21 Guía de correa..... 22 Cable..... 20 Carburador..... 24 Rueda de fricción..... 22,23 Bujía..... 25 Tracción y barreno..... 20,21 <p>Montaje:</p> <ul style="list-style-type: none"> Conjunto del cigüeñal..... 8 Listea de revision..... 9 Faro delantero..... 9 Ajuste de la altura de la corredera de apoyo..... 7,19 Desempaquetado..... 7 <p style="text-align: center;">B</p> <p>Correas:</p> <ul style="list-style-type: none"> Ajustar correas..... 20,21 Ajuste de la guía de correa..... 22 Reemplazar correas..... 21 <p style="text-align: center;">C</p> <p>Cables, embrague..... 7, 9, 20</p> <ul style="list-style-type: none"> Carburador..... 24 Extranguador..... 10,11,13,14 Embrague, palancas..... 10,11 <p>Controles:</p> <ul style="list-style-type: none"> Motor..... 10,11,13,14 Removedora de nieve..... 10 <p>Cigüeñal:</p> <ul style="list-style-type: none"> Montaje..... 8 Operación..... 11 <p>Responsabilidades del cliente..... 4,16-18</p> <ul style="list-style-type: none"> Contrato..... 4 Eje de transmisión del barreno..... 17 Cadenas y ruedas dentadas..... 18 Motor..... 18 Recomendaciones generales..... 17 Eje de transmisión hexagonal y engranajes..... 18 <p style="text-align: center;">D</p> <ul style="list-style-type: none"> Propulsor, barreno..... 11 Propulsor, oruga..... 11 Desviador, canal de descarga de nieve..... 11 <p style="text-align: center;">E</p> <p>Motor:</p> <ul style="list-style-type: none"> Control..... 10,11,13,14 Tapadera del aceite..... 12,18 <ul style="list-style-type: none"> Cambio de aceite..... 18 Nivel de aceite..... 12,18 Tipo de aceite..... 4, 12, 18 Gobernador de la velocidad..... 26 	<ul style="list-style-type: none"> Arranque, manualmente..... 14 Arranque, eléctrico..... 13 Almacenamiento..... 26 <p style="text-align: center;">F</p> <ul style="list-style-type: none"> Combustible, tipo..... 4, 12 Combustible, almacenamiento..... 12, 26 Rueda de fricción: <li style="padding-left: 20px;">Ajuste..... 24 <li style="padding-left: 20px;">Reemplazo..... 25 <p style="text-align: center;">G</p> <p>Engranajes:</p> <ul style="list-style-type: none"> Caja de engranajes del barreno..... 18 Eje de transmisión hexagonal..... 18 <p style="text-align: center;">H</p> <ul style="list-style-type: none"> Manija, superior e inferior..... 7 Ajuste de altura de correderas de apoyo..... 7, 19 Eje de transmisión hexagonal..... 18 <p style="text-align: center;">I</p> <ul style="list-style-type: none"> Llave de ignición..... 10,11,13,14 Indice..... 5 <p style="text-align: center;">L</p> <p>Palancas:</p> <ul style="list-style-type: none"> Embrague propulsor del barreno..... 7, 10,11,20 Extranguador..... 10,11,13,14 Cambiador..... 9,10,11 Control de la aceleración..... 10,11,13,14 Embrague propulsor de la oruga..... 7,10,11,20 <p>Lubricación:</p> <ul style="list-style-type: none"> Eje de transmisión del barreno..... 17 Motor..... 12,18,26 Eje de transmisión hexagonal y engranajes..... 18 <p style="text-align: center;">O</p> <p>Aceite:</p> <ul style="list-style-type: none"> Motor..... 12,18 Clima extremadamente frío..... 12,18 Almacenamiento..... 26 Tipo..... 4, 12,18 <p>Operación:</p> <ul style="list-style-type: none"> Controles del motor..... 10,11,13,14 Operación de la removedora de nieve..... 11,12,18 Pistas de operación..... 18 Arranque del motor, eléctrico..... 13 Controles de la removedora de nieve..... 10-12 Pistas sobre lanzamiento de nieve..... 15 Pasador de enganche de la rueda..... 12 	<p style="text-align: center;">P</p> <ul style="list-style-type: none"> Piezas (vea englais)..... 28-42 Botón cebo..... 10,11,13 <p style="text-align: center;">R</p> <ul style="list-style-type: none"> Reparación/Piezas de reemplazo (vea englais)..... 28-42 Arrancador por retroceso manual..... 13 Reemplazos: <li style="padding-left: 20px;">Perno de seguridad por esfuerzo cortante del barreno..... 24 <li style="padding-left: 20px;">Correas..... 20-21 <li style="padding-left: 20px;">Rueda de fricción..... 22-23 <p style="text-align: center;">S</p> <ul style="list-style-type: none"> Reglas de seguridad..... 2, 3 Servicio y ajustes: <li style="padding-left: 20px;">Perno de seguridad por esfuerzo cortante del barreno..... 7,19 <li style="padding-left: 20px;">Correas..... 20,21 <li style="padding-left: 20px;">Guía de correa..... 22 <li style="padding-left: 20px;">Reemplazos de correa..... 21 <li style="padding-left: 20px;">Cable..... 7, 9,20 <li style="padding-left: 20px;">Carburador..... 13,24,26 <li style="padding-left: 20px;">Rueda de fricción..... 22,23 <li style="padding-left: 20px;">Bujía..... 25 <li style="padding-left: 20px;">Recomendaciones der servicio..... 26 <li style="padding-left: 20px;">Especificaciones..... 4 Gobernador de la velocidad..... 24 Arranque del motor: <li style="padding-left: 20px;">Arranque eléctrico..... 13 <li style="padding-left: 20px;">Arranque por retroceso manual..... 13,14 <li style="padding-left: 20px;">Parando la Removedora de nieve..... 11 <li style="padding-left: 20px;">Caja de envío..... 6, 7 <li style="padding-left: 20px;">Altura de la corredera de apoyo..... 7,19 <li style="padding-left: 20px;">Palanca de cambios..... 9,11 <li style="padding-left: 20px;">Pernos de seguridad por esfuerzo cortante..... 24 <li style="padding-left: 20px;">Almacenamiento..... 26 <p style="text-align: center;">T</p> <ul style="list-style-type: none"> Tabla de contenidos..... 5 Tabla de solución de problemas..... 28 Herramientas para montaje..... 6 Correa de propulsión de la oruga..... 20-21 Ajuste de la oruga..... 19 <p style="text-align: center;">W</p> <ul style="list-style-type: none"> Garantía..... 4 Pasador de enganche de la rueda..... 12
---	---	---

CONTENIDO DEL PAQUETE CON ARTICULOS DE FERRETERIA

Contenido de la bolsa con las partes



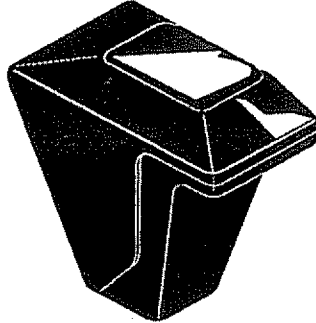
* 2 - Pernos de seguro por esfuerzo cortante de repuesto (1/4-20 x 1-3/4 pulgadas)



* 2 - Espaciadores de repuestos (1/4-20)



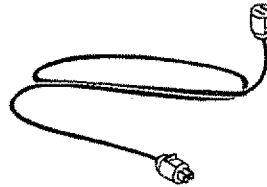
* 2 - Tuercas de seguridad de repuesto (1/4-20)



1 - Perilla de rosca



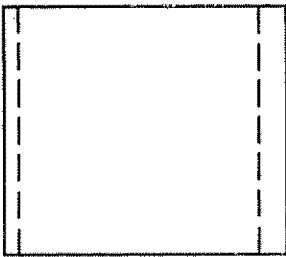
1 - Instructivo del usuario



1 - Cueda del arrancador eléctrico

* Piezas no necesarias para el montaje

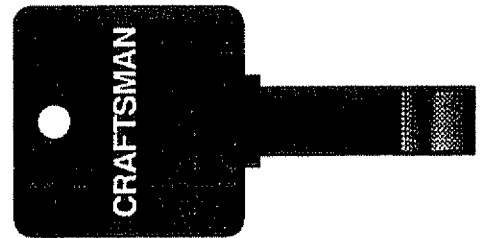
Partes empaquetadas en forma separada en la caja de cartón (no se muestran del tamaño real)



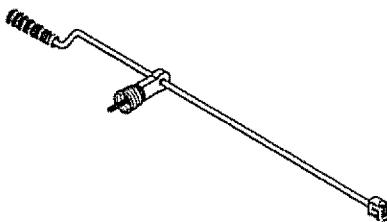
1 - Una bolsa



1 - Envase de aceite 5W30



2 - Llaves del encendido (adheridas al motor en una bolsa plástica)



1 - Conjunto del cigüeñal

MONTAJE

HERRAMIENTAS REQUERIDAS PARA EL MONTAJE

- 1- Cuchillo para cortar la caja y las amarras plásticas
- 2- Llaves de 1,3 cm (1/2 pulgada) o llaves ajustables
- 2- Llaves de 1,4 cm (9/16 pulgada) o llaves ajustables
- 2- Llaves de 1,9 cm (3/4 pulgada) o llaves ajustables
- 1- Alicata (para abrir el pasador)
- 1- Destornillador
- 1- Cinta métrica o regla

La Figura 1 muestra la removedora de nieve lista para su envío. La Figura 2 muestra la removedora de nieve completamente ensamblada.

Cuando se hace referencia a los lados derecho e izquierdo de la removedora de nieve, es en relación al operador de la unidad ubicado frente a la manija de dirección.

PARA DESEMPACAR LA REMOVEDORA DE NIEVE (vea la Fig. 1)

- Localice y saque de la caja el envase de aceite 5W30.
- Localice el conjunto del cigüeñal y colóquelo a un lado.
- Retire y descarte el material de empaque que envuelve la unidad.
- Corte las cuatro esquinas de la caja de arriba hacia abajo, y coloque sus lados tendidos en el piso.
- Corte las amarras que fijan los cables de control del embrague a la manija inferior, y coloque los cables lejos de la cubierta del motor.
- Hale de la manija inferior y haga rodar la removedora de nieve fuera de la caja. **PRECAUCIÓN:** NO retroceda sobre el cable.
- Para completar la instalación de la manija superior de dirección e instalar el conjunto del cigüeñal, consulte la sección "Como instalar la manija de dirección y el conjunto del cigüeñal" en la página 8.

NOTA: Si los cables de las palancas del embrague están desconectados, instálelos de nuevo como lo ilustran las Figs. 3 y 3A.

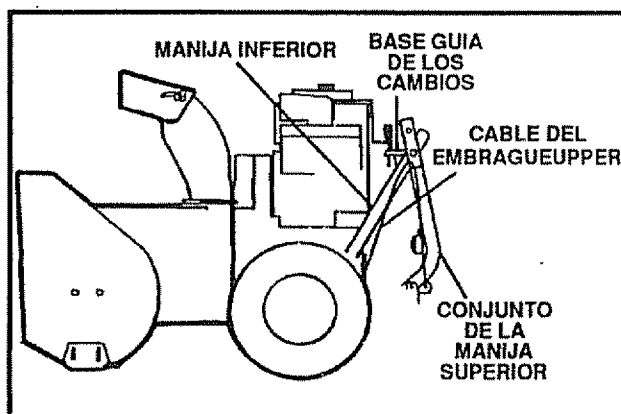


FIG. 1

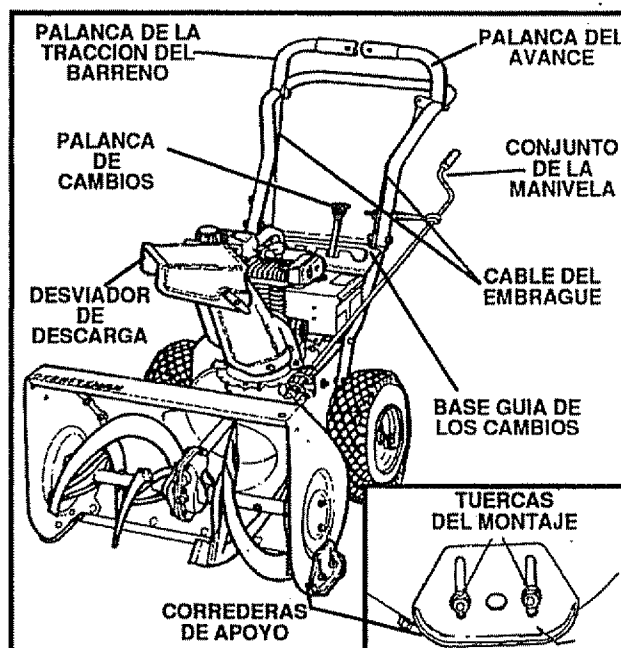


FIG. 2

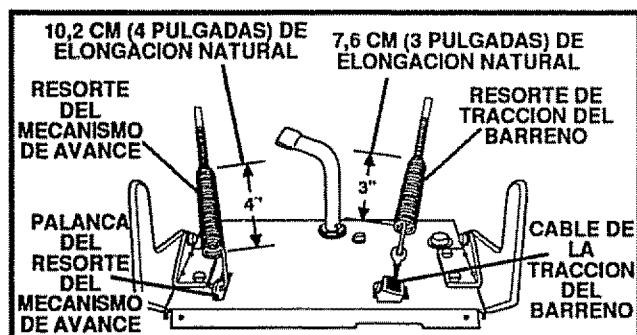


FIG. 3A

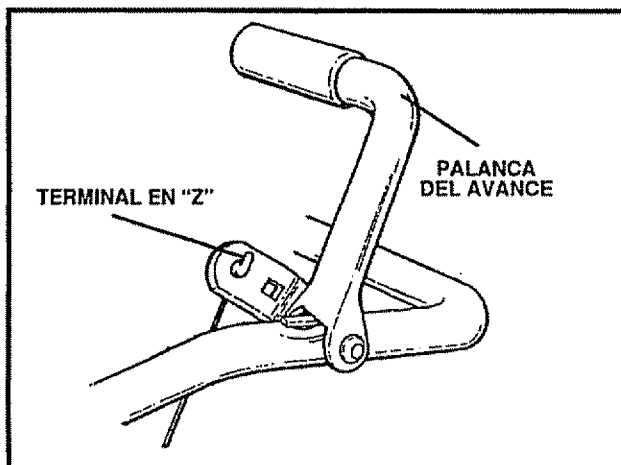


FIG. 3



PRECAUCIÓN: SI USTED ESTA LIMPIANDO NIEVE EN UN CAMINO DE GRAVA O DISPAREJO, MUEVA LAS CORREDERAS DE APOYO HACIA ABAJO PARA LEVANTAR LA PARTE DELANTERA DE LA REMOVEDORA. ESTO CONTRIBUYE A EVITAR QUE EL BARRENO ALCANCE Y ARROJE PIEDRAS U OTROS OBJETOS EXTRAÑOS.

MONTAJE

COMO INSTALAR SU REMOVEDORA DE NIEVE

- Este equipo cuenta con una corredera de apoyo (vea la Fig. 2) colocada en la parte exterior del alojamiento del barreno. Para ajustar la corredera de apoyo a condiciones diferentes, consulte la sección "Ajuste de la corredera de apoyo" en la página 19.

COMO INSTALAR LA MANIJA DE DIRECCION Y EL CONJUNTO DEL CIGÜEÑAL

- Remueva los tornillos, arandelas planas, arandelas de muelle y tuercas hexagonales que fijan la base guía de los cambios a los orificios de abajo de la manija inferior, y mueva la palanca de cambios a la tercera velocidad (Vea Fig. 4A).
- Afloje pero no remueva los tornillos, arandelas planas, arandelas de muelle y tuercas hexagonales de los orificios de arriba de la manija inferior.
- Lleve la manija superior a la posición de operación. La manija superior debe estar del lado de afuera de la manija inferior, y la base guía de los cambios hacia adentro.
- Coloque el tornillo, la arandela plana, la arandela de muelle y la tuerca hexagonal del lado derecho, a través de la manija y la base guía de los cambios. Coloque todos los pernos antes de ajustarlos.

NOTA: A menos que lo ayude otra persona, resultará más fácil instalar la manija un lado por vez.

- Remueva la tuerca de seguridad de nylon de 3 mm (3/8 pulgada) del grupo del perno en anillo (en el conjunto del cigüeñal ya desmontado). Verifique que las contratuercas de 3 mm (3/8 pulgada) estén ajustadas. Las contratuercas deben estar a 7 cm (2,75 pulgadas) del extremo del perno en anillo (vea la Fig. 4B).
- Instale el perno en anillo a través del orificio inferior al lado izquierdo de la manija y de la base guía de los cambios (vea la Fig. 4B).
- Coloque sin ajustar, la arandela plana y la tuerca de seguridad de nylon, ambas de 3 mm (3/8 pulgada), en el perno en anillo como muestra la Fig. 4B.
- Cuidadosamente remueva la clavija hendida, el pasador de horquilla y el pasador perforado del extremo de la horquilla del conjunto de la varilla de arranque.
- Coloque la junta universal en el extremo del engranaje helicoidal alineando los agujeros grandes. Inserte el pasador perforado (asegúrese que la abertura en el pasador esté alineada con las aberturas pequeñas en la junta universal).
- Coloque el extremo de la horquilla en la varilla de arranque alrededor de la junta universal, alineando las aberturas. Inserte el pasador de horquilla a través del conjunto y asegúrelo con la clavija hendida. Separe los extremos de la clavija hendida para asegurarlo en su lugar.
- Apriete el perno en anillo, manteniendo alineados el anillo y la varilla mientras ajusta internamente con firmeza.

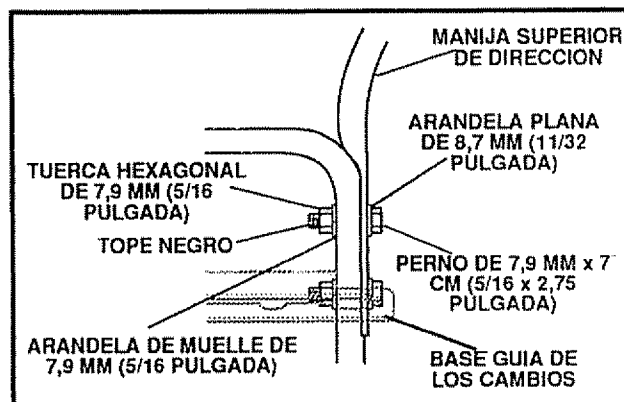


FIG. 4A

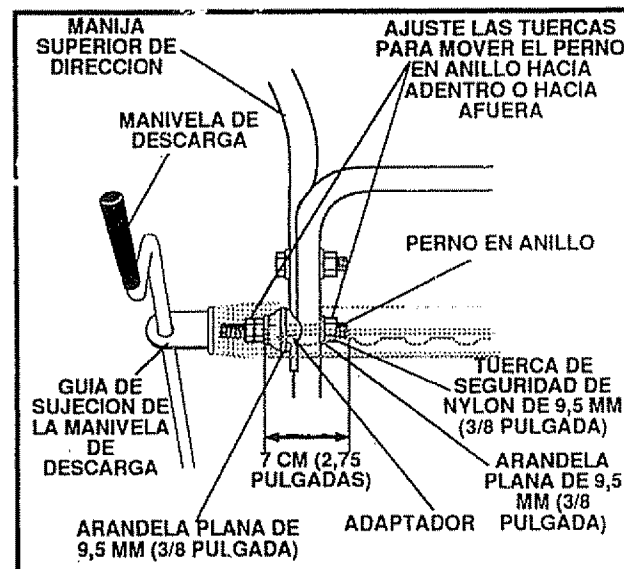


FIG. 4B

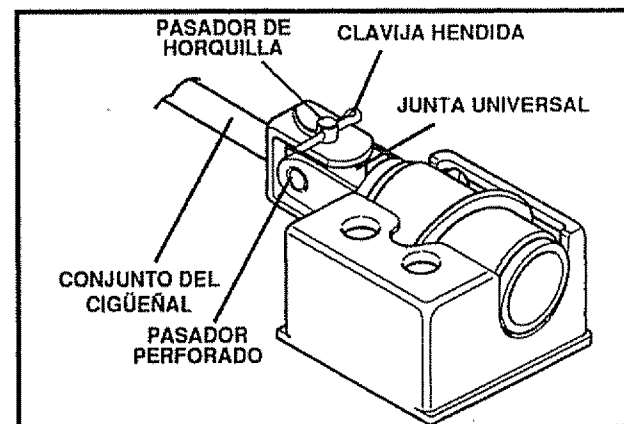


FIG. 5

- Apriete tuerca sobre perno, la arandela plana, la arandela de muelle y la tuerca hexagonal del orificio inferior derecho (vea la Fig. 4A).

NOTA: Asegúrese de que los cables no queden enredados entre las manijas superior e inferior.

- Ajuste los dos pernos de la manija superior

MONTAJE

PARA INSTALAR LA PERILLA DE LA PALANCA DE CAMBIOS

- Enrosque la perilla en el extremo roscado de la palanca de cambios hasta que haga contacto con la tuerca hexagonal y la lengüeta apunte hacia el motor. Apriete la tuerca hexagonal contra el fondo de la perilla (vea la Fig. 6).

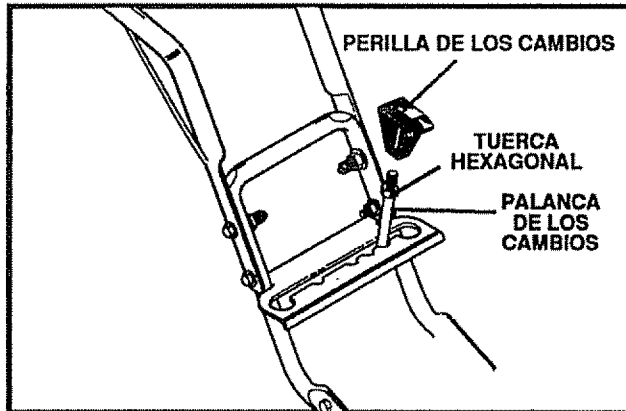


FIG. 6

PARA INSPECCIONAR/AJUSTAR LOS CABLES DE CONTROL DEL EMBRAGUE

Los cables de control conectados a las palancas del embrague del barreno y la tracción (Fig. 7), pueden necesitar ajuste antes de que usted use la removedora de nieve.

Consulte la sección "Ajuste de los cables de control del embrague" en la página 19, respecto a las instrucciones a seguir para inspeccionar o ajustar los cables de control.

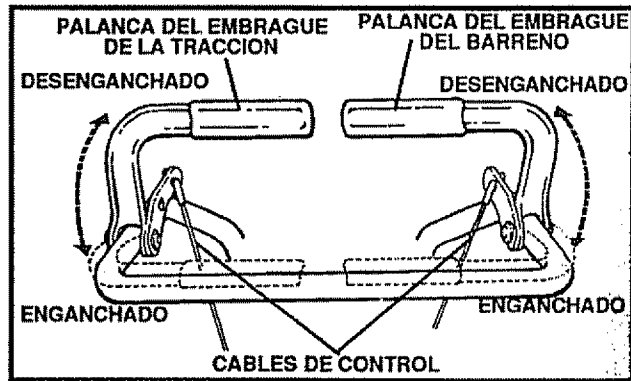


FIG.7

✓ LISTA DE REVISION

ANTES DE OPERAR Y DISFRUTAR DE SU REMOVEDOR DE NIEVE NUEVO, DESEAMOS GARANTIZARLE QUE RECIBA EL MEJOR RENDIMIENTO Y LA MAYOR SATISFACCION DE ESTE PRODUCTO DE CALIDAD.

HAGA EL FAVOR DE REVISAR LA LISTA A CONTINUACION:

- ✓ Todas las instrucciones para el montaje han sido completadas.
 - ✓ El canal de descarga rota libremente.
 - ✓ No quedan partes sueltas en la caja de cartón.
- AL MISMO TIEMPO QUE APRENDE A USAR SU REMOVEDOR DE NIEVE, PRESTE ATENCION ESPECIAL A LOS ITEMS DE IMPROTANCIA A CONTINUACION:*
- ✓✓ El aceite del motor está al nivel adecuado.
 - ✓✓ Asegúrese que el estanque de gasolina está lleno con gasolina sin plomo, nueva y limpia.
 - ✓✓ Familiarícese con todos los controles-su ubicación y función. Opere los controles antes de hacer arrancar el motor.

OPERACION

CONOZCA SU REMOVEDORA DE NIEVE

LEA ESTE MANUAL DEL PROPIETARIO Y LAS REGLAS DE SEGURIDAD ANTES DE OPERAR SU REMOVEDORA DE NIEVE. Compare las ilustraciones con su removedora de nieve para familiarizarse con las posiciones de los diversos controles y ajustes. Guarde este manual para referencia en el futuro.

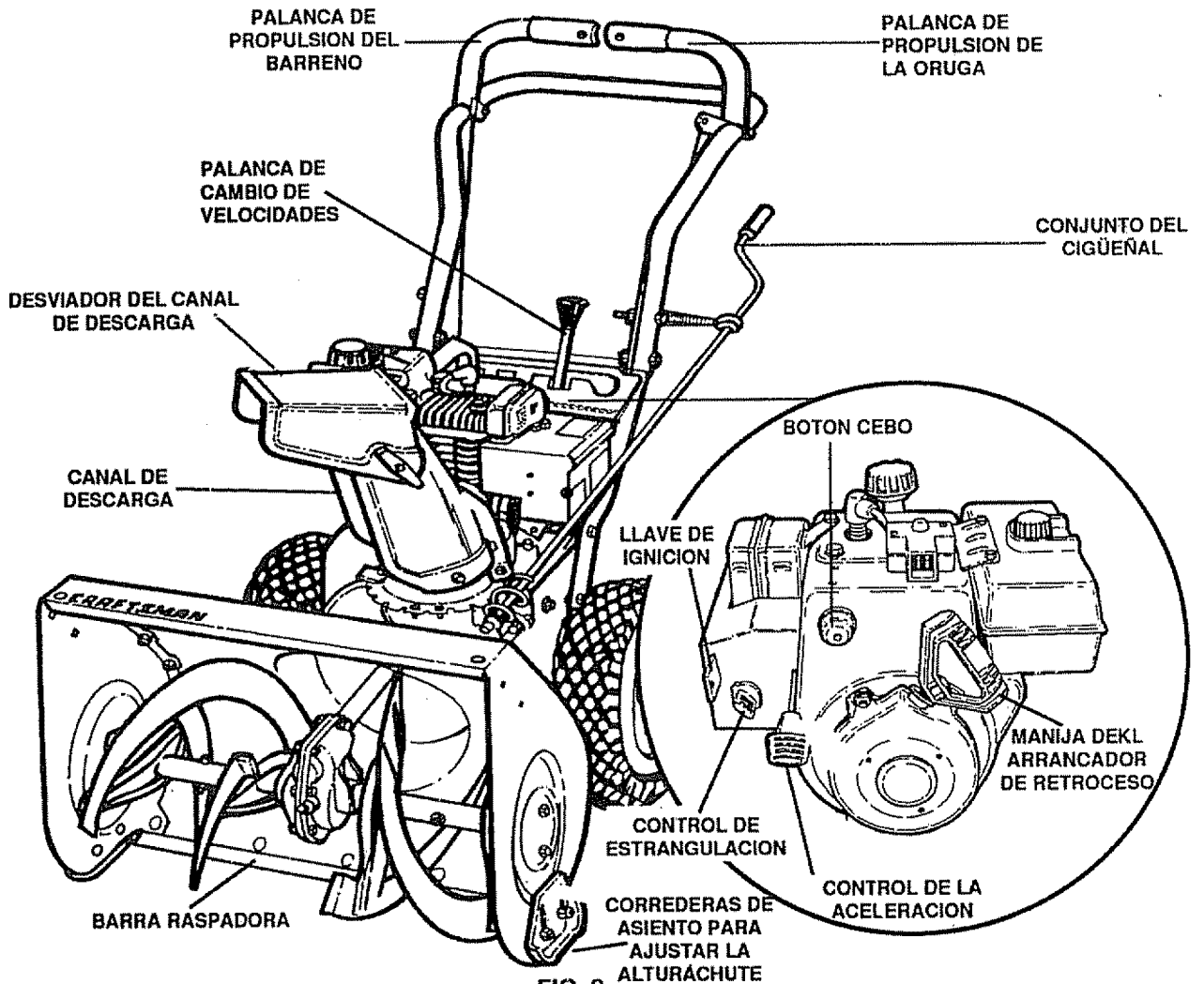


FIG. 8

LAS REMOVEDORAS DE NIEVE TRACCION-EXTRA DE SEARS cumplen con los estándares de seguridad del American National Standards Institute, B71.3-1984 (Instituto Nacional Estadounidense de Estándares).

PALANCA DE PROPULSION DEL BARRENO - Arranca y detiene el barreno y el propulsor (recogido y lanzamiento de nieve).

PALANCA DE PROPULSION DE ORUGA - Impulsa la removedora de nieve hacia adelante y en retroceso.

PALANCA DE CAMBIO DE VELOCIDADES - Selecciona la velocidad de la removedora de nieve (6 velocidades hacia adelante y 2 velocidades en retroceso).

FARO DELANTERO - Se enciende siempre que el motor esté en marcha.

CONJUNTO DEL CIGÜEÑAL - Cambia la dirección del lanzamiento de la nieve a través del canal de descarga.

DESVIADOR DEL CANAL DE DESCARGA - Cambia la distancia de lanzamiento de la nieve.

CANAL DE DESCARGA - Cambia la dirección de lanzamiento de la nieve.

PEDAL DE TRANSFERENCIA DE PESO - Enganche para condiciones de mucha nieve, para evitar que la removedora de nieve suba sobre apilamientos y nieve dura compactada. Al desenganchar, facilita el transporte de la removedora de nieve.

CORREDERAS DE ASIENTO PARA AJUSTAR LA ALTURA - Ajustan la distancia libre entre el terreno y el alojamiento del barreno.

LLAVE DE IGNICION - Deberá ser insertada para arrancar el motor.

BOTON DE ARRANCADOR ELECTRICO - Se usa para arrancar el motor usando el arrancador eléctrico de 120 V.

MANIJA DEL ARRANCADOR DE RETROCESO - Arranca el motor manualmente.

CONTROL DE ESTRANGULACION - Se usa para arrancar un motor frío.

BOTON CEBO - Inyecta el combustible directamente dentro del carburador o distribuidor para un arranque rápido en clima frío.

CONTROL DE LA ACELERACION - Controla la velocidad del motor.

OPERACION



La operación de cualquier removedora de nieve puede ocasionar que objetos extraños sean lanzados dentro de sus ojos, lo cual podría resultar en daños severos a los ojos. Use siempre gafas de seguridad o protectores para los ojos mientras opere la removedora de nieve. Se recomiendan las gafas de seguridad estándar o la máscara de seguridad de visión amplia para usarla sobre los anteojos disponibles en todas las tiendas Centro de Servicios SEARS.

COMO USAR SU REMOVEDORA DE NIEVE

PARA DETENER SU REMOVEDORA DE NIEVE

- Para parar el lanzamiento de nieve, suelte la palanca de propulsión del barreno (Véase Fig. 11).
- Para parar la oruga, suelte la palanca de propulsión de oruga (Véase Fig. 11).
- Para parar el motor, empuje la palanca de control de la aceleración a apagado (off) y hale hacia afuera (NO ROTE) la llave de ignición (Véase Fig. 10).

PARA CONTROLAR LA DESCARGA DE NIEVE

- Dé vuelta al conjunto del cigüeñal para determinar la dirección del lanzamiento de la nieve.
- Afloje la manecilla de mariposa en el desviador del canal de descarga y mueva el desviador para establecer la distancia. Mueva el deflector hacia **ARRIBA** para mayor distancia, hacia **ABAJO** para una distancia menor. Luego apriete la manecilla de mariposa (Fig. 9).

PARA MOVERSE HACIA ADELANTE Y HACIA ATRAS

- Para cambiar de velocidad, suelte la palanca de propulsión de oruga y mueva la palanca de cambio de velocidades a la velocidad deseada. La velocidad en el terreno estará determinada por las condiciones de la nieve. Seleccione la velocidad que desea moviendo la palanca de cambio de velocidades dentro del área apropiada del panel de control.

Velocidades 1,2 - Húmeda, Pesada, Muy profunda

Velocidad 3 - Moderada

Velocidades 4,5 - Muy ligera

Velocidad 6 - Para transporte solamente

- Enganche la palanca de propulsión de oruga (Véase Fig. 11, mano izquierda). A medida que la removedora de nieve comienza a moverse, mantenga un agarre firme de las manijas, y guíe la removedora de nieve a lo largo del camino a despejar. No intente empujar la removedora de nieve.
- Para mover la removedora de nieve en retroceso, mueva la palanca de cambio de velocidades a la primera o segunda velocidad del retroceso y enganche la palanca de propulsión de oruga (mano izquierda).

IMPORTANTE: NUNCA MUEVA LA PALANCA DE CAMBIO DE VELOCIDADES MIENTRAS LA PALANCA DE PROPULSION DE LA ORUGA ESTA ABAJO.

PARA LANZAR NIEVE

- Empuje la palanca de propulsión del barreno hacia abajo (Véase Fig. 11, mano derecha).
- Suéltela para parar de lanzar nieve.

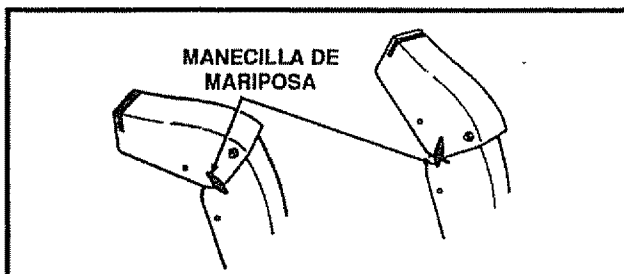


FIG. 9

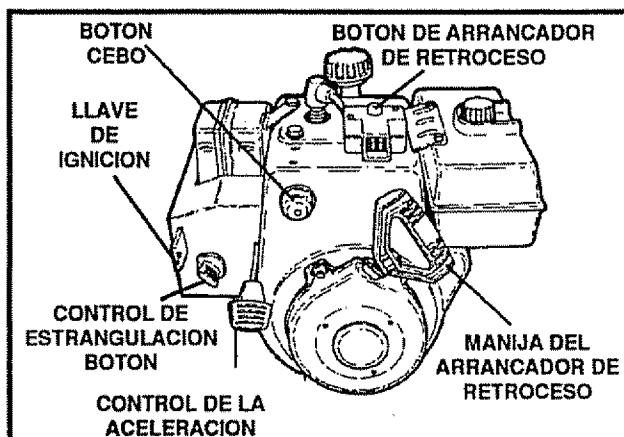


FIG. 10

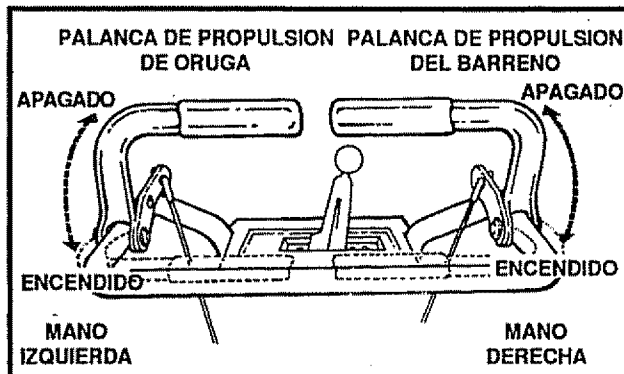


FIG. 11



PRECAUCION: LEA EL MANUAL DEL PROPIETARIO ANTES DE OPERAR LA MAQUINA. JAMAS DIRIJA LA DESCARGA HACIA ESPECTADORES. PARE EL MOTOR ANTES DE DESOBSTRUIR EL CANAL DE DESCARGA O EL ALOJAMIENTO DEL BARRENO Y ANTES DE DEJAR LA MAQUINA.

OPERACION

COMO USAR EL PASADOR DE ENGANCHE DE LA RUEDA

- La rueda izquierda está asegurada al eje mediante un pasador de enganche en anillo (vea la Fig. 12A). Esta unidad fue despachada con el pasador en la posición de enganche (a través del orificio de la rueda).
- Para mayor maniobrabilidad en condiciones de nieve ligera, desconecte el pasador (sáquelo de la posición de enganche de la rueda) e introdúzcalo en el orificio para tracción sencilla (desenganche solamente el orificio del eje) - vea la Fig. 12B.
- Asegúrese de que el pasador esté en la posición de avance normal (tracción sencilla) del eje solamente, y no en la posición de enganche.

ANTES DE ENCENDER EL MOTOR

- Si necesita mover la máquina removedora sin encender el motor, resultará más fácil moverla halándola hacia atrás mientras agarra la manija, en vez de empujarla.
- Antes de dar servicio o encender el motor, familiarícese con su máquina removedora. Asegúrese de conocer la ubicación y entender la función de todos los controles.

NOTA: Inspeccione la tensión de los cables del embrague antes de arrancar el motor (consulte la sección "Ajuste de los cables del embrague" en la página 20).

- Asegúrese de que todos los pasadores estén firmes.
- Asegúrese de que las correderas de apoyo estén ajustadas correctamente (consulte la sección "Ajuste de la corredera de apoyo" en la página 19).
- Inspeccione la presión de las ruedas (de 228 a 277 kg/cm² ó de 14 a 17 PSI). Observe los límites de presión indicados en la cara de la rueda: no los exceda.

AÑADA ACEITE AL MOTOR:

Esta removedora de nieve fue enviada con un contenedor de aceite para motor 5W30. Este aceite deberá ser añadido al motor antes de operarlo. Remueva la tapadera/varilla medidora del nivel de aceite y llene la caja del cigüeñal hasta la línea LLENO (FULL) en la varilla medidora del aceite (26 onzas) (Véase Fig. 14).

NOTA: El motor podría ya contener algo de aceite residual. Revise con frecuencia al llenar la caja del cigüeñal. No exceda la medida.

Apriete la tapadera/varilla medidora del nivel de aceite en forma segura cada vez que revise el nivel de aceite.

NOTA: El aceite deberá ser cambiado después de las primeras 2 horas de operación para prolongar la vida útil del motor.

Para condiciones de operación de frío extremo de 0° F y por debajo de ésta, use un aceite de motor 0w30 parcialmente sintético para un arranque más fácil.

AGREGUE GASOLINA:

Utilice gasolina sin plomo para automóviles, nueva y limpia. Asegúrese de que el recipiente que contiene la gasolina a utilizar, esté limpio y sin óxido u otras partículas extrañas. Nunca use gasolina vencida debido a su prolongado almacenamiento.

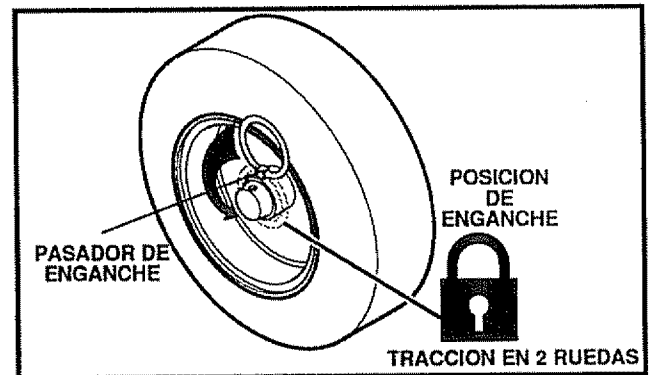


FIG. 12A

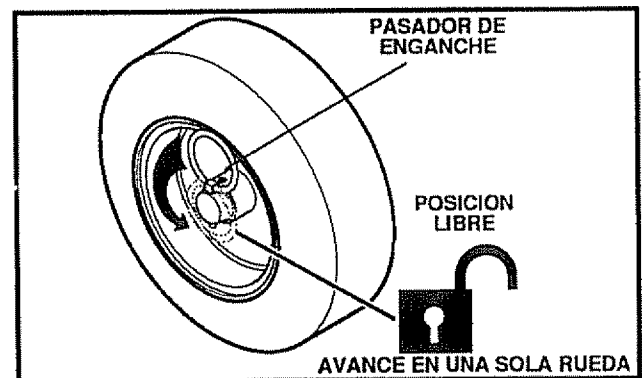


FIG. 12B

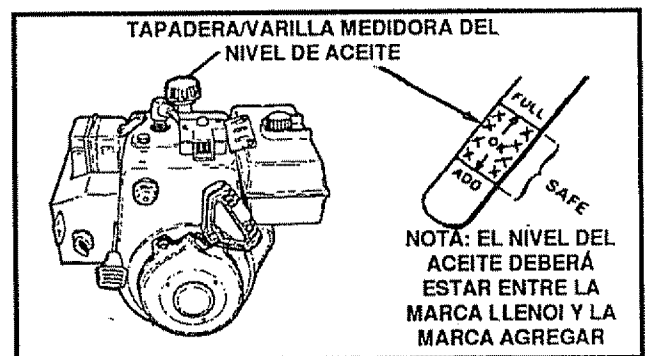


FIG. 13

ADVERTENCIA: La experiencia indica que los combustibles mezclados con alcohol (llamado gasohol o usando etanol o metanol) pueden atraer humedad la cual conduce a la separación y formación de ácidos durante el almacenamiento. Los gases ácidos pueden dañar el sistema de combustible de un motor mientras se encuentra en almacenamiento.

Para evitar problemas del motor, el sistema de combustible debe vaciarse antes del almacenamiento durante 30 días o mayor. Arranque el motor y déjelo en marcha hasta que las líneas de combustible y el carburador estén vacíos. Use el drenaje de la vasija del carburador para vaciar la gasolina residual de la cámara del flotador (Véase Fig. 37, página 26). Use gasolina fresca la siguiente temporada. (Véase "Instrucciones para almacenamiento" para obtener información adicional.)

Nunca use productos de limpieza de motor o carburador en el tanque de combustible, de lo contrario podría causar daño permanente.

OPERACION

PARA PARAR EL MOTOR

- Para parar la marcha del motor, mueva la palanca de control de la aceleración a la posición PARAR (STOP) y retire la llave. Mantenga la llave en un lugar seguro. El motor no arrancara sin la llave.

PARA ARRANCAR EL MOTOR (Arrancador eléctrico)

Asegúrese de que el motor tenga suficiente aceite (Vea "Lubricación del motor" en la pagina 13). El motor de la removedora de nieve está equipado con un arrancador eléctrico de 120 voltios corriente alterna y arrancador de retroceso. Antes de arrancar el motor, asegúrese de haber leído la información siguiente:

ARRANQUE EN FRIO (Véase Fig. 14)

- Asegúrese de que las palancas de propulsión del barreno y de propulsión de oruga están en la posición desenganchada SUELTA (RELEASED).
- Mueva el control de la aceleración a la posición MARCHA (RUN).
- Remueva las llaves de la bolsa plástica. Inserte una llave en la ranura de ignición. Asegúrese de que encaja en su lugar. **NO ROTE LA LLAVE.** Mantenga la segunda llave en un lugar seguro.
- Rote la manecilla de estrangulación a la posición estrangulación TOTAL (FULL).
- Conecte el cable de alimentación eléctrica a la caja de interruptores en el motor.
- Enchufe el otro extremo del cable de alimentación eléctrica en un receptáculo trifilar de 120 voltios y corriente alterna con polo a tierra.
- Empuje el botón cebado mientras cubre el agujero de ventilación de la manera siguiente: (Remueva el dedo del botón cebado entre cebados).
 - No efectúe el cebado si la temperatura esta sobre 50° F.
 - Dos veces si la temperatura está entre 50° F hasta 15° F.
 - Cuatro veces si la temperatura se encuentra por debajo de 15° F.
- Empuje el botón del arrancador hacia abajo hasta que el motor arranque. No intentar el arranque por mas de 10 segundos a la vez. Este arrancador eléctrico está protegido termalmente. Si se sobrecalienta se detendrá automáticamente y puede ser arrancado nuevamente sólo cuando se ha enfriado hasta una temperatura segura (se requiere una espera de 5 a 10 minutos aproximadamente).
- Cuando el motor arranca, suelte el botón del arrancador y lentamente rote el estrangulador a la posición APAGADO (OFF). Si el motor falla, rote la estrangulación a TOTAL (FULL) y luego gradualmente a APAGADO (OFF).
- Desconecte el cable de alimentación eléctrica desde el receptáculo primero y luego desde la caja de interruptores en el motor.

NOTA: Permita que el motor caliente por unos cuantos minutos puesto que el motor no desarrollará una potencia completa sino hasta que alcance la temperatura de operación.

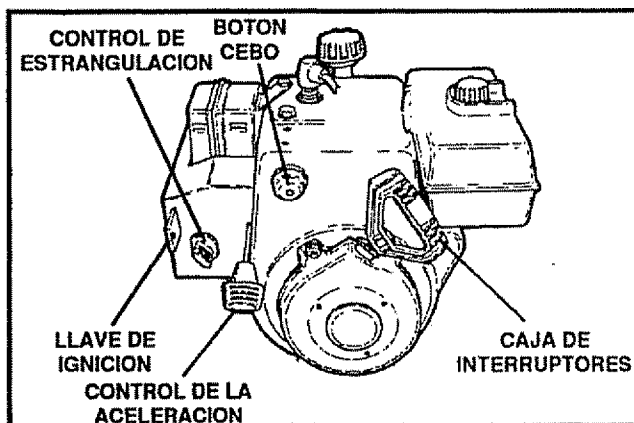


FIG.14



PRECAUCION: LA GASOLINA ES INFLAMABLE Y SE DEBERÁ TENER MUCHO CUIDADO AL MANIPULARA O ALMACENARLA.

NO LLENE EL TANQUE DE COMBUSTIBLE MIENTRAS LA REMOVEDORA DE NIEVE SE ENCUENTRA EN MARCHA, CUANDO ESTA CALIENTE, O CUANDO LA REMOVEDORA DE NIEVE SE ENCUENTRA EN UN AREA CERRADA.

MANTENGASE ALEJADO(A) DE LLAMAS ABIERTAS O CHISPAS ELECTRICAS Y NO FUME MIENTRAS LLENA EL TANQUE DE COMBUSTIBLE.

NUNCA LLENE EL TANQUE COMPLETAMENTE. LLENE EL TANQUE HASTA EL NIVEL ENTRE 1/4 - 1/2 PULGADA DESDE LA PARTE SUPERIOR PARA PROPORCIONAR ESPACIO PARA LA EXPANSION DEL COMBUSTIBLE.

SIEMPRE LLENE EL TANQUE EN AMBIENTES EXTERIORES Y USE UN EMBUDO O BOQUILLA PARA PREVENIR EL DERRAME.

ASEGURESE DE LIMPIAR CUALQUIER COMBUSTIBLE DERRAMADO ANTES DE ARRANCAR EL MOTOR.

ALMACENE LA GASOLINA EN UN CONTENEDOR, LIMPIO Y APROBADO, Y MANTENGA LA TAPADERA DEL CONTENEDOR EN SU LUGAR.

- Opere el motor a toda velocidad (MARCHA-RUN) al remover nieve.

OPERACION



PRECAUCION: NUNCA PONGA EL MOTOR EN MARCHA EN AMBIENTES INTERIORES O EN AREAS ENCERRADAS, MAL VENTILADAS. EL ESCAPE DEL MOTOR CONTIENE MONOXIDO DE CARBONO, UN GAS INODORO Y LETAL. MANTENGA LAS MANOS, PIES, CABELLO Y VESTIMENTA FLOJA ALEJADOS DE CUALESQUIERA PIEZAS MOVILES EN EL MOTOR Y EN LA REMOVEDORA DE NIEVE.

ADVERTENCIA: LAS TEMPERATURAS DEL ESCAPE Y AREAS CERCANAS PODRIAN EXCEDER LOS 150°F. EVITE ESTAS AREAS.

NO PERMITA A NIÑOS O ADOLESCENTES JOVENES OPERAR O ESTAR CERCA DE LA REMOVEDORA DE NIEVE MIENTRAS ESTA SE ENCUENTRA EN OPERACION.



PRECAUCION: NO TRATE DE REMOVER NINGUN OBJETO INCRUSTADO EN EL BARRENO, SIN ANTES TOMAR LAS SIGUIENTES PRECAUCIONES:

- **LIBERE LAS PALANCAS DE TRACCION DEL BARRENO Y DEL AVANCE.**
- **LLEVE LA PALANCA DEL ACELERADOR A LA POSICION DE DETENIDO (STOP).**
- **SAQUE LA LLAVE DE LA IGNICION (NO LA GIRE).**
- **DESCONECTE EL ALAMBRE DE LA BUJIA.**
- **NO PONGA SUS MANOS EN EL BARRENO O EL CANAL DE DESCARGA: UTILICE UNA PALANCA.**

PARA PARAR EL MOTOR

- Para parar la marcha del motor, mueva la palanca de control de la aceleración a la posición PARAR (STOP) y retire la llave. Mantenga la llave en un lugar seguro. El motor no arrancará sin la llave.

PARA ENCENDER EL MOTOR (Arrancador de retroceso)

Antes de encender el motor, asegúrese de que tiene aceite suficiente y de haber leído las siguientes instrucciones:

ARRANQUE EN FRIO (vea la Fig. 14)

- Asegúrese de que las palancas de tracción del barreno y del avance se encuentran en la posición de desenganche (RELEASED).
- Coloque el control del acelerador en la posición RUN (MARCHA).
- Saque las llaves del encendido de la bolsa plástica e introduzca una de ellas en la ranura del encendido, asegurándose de que calce bien. NO LA HAGA GIRAR. Guarde la llave de repuesto en un lugar seguro.
- Gire el control de estrangulación hasta la posición FULL (TOTAL).

- Mientras mantiene tapado el respiradero, presione el botón cebo de la siguiente manera (retire el dedo del botón cebo después de presionarlo):

No oprima el botón si la temperatura es superior a los 10°C (50°F).

Oprímalo dos veces, si la temperatura está entre 10°C (50°F) y -9,5°C (15°F).

Cuatro veces, para temperaturas inferiores a los -9,5°C (15°F).

- Hale la manivela del arranque con un movimiento seguro y rápido. No deje que la inercia del encendido hale la cuerda del arranque con violencia. Permita que vuelva a enrollarse suavemente mientras sostiene la manivela.
- A medida que el motor se caliente y comience a funcionar en forma pareja, mueva con lentitud el control de estrangulación hasta la posición OFF (APAGADO). Si el motor falla, regrese el estrangulador a FULL (TOTAL); luego muévalo lentamente hasta la posición OFF (APAGADO).

ARRANQUE EN CALIENTE

Si el motor está caliente y desea encenderlo después de haberlo apagado brevemente, gire el estrangulador a la posición OFF (APAGADO) en lugar de la posición FULL (TOTAL) y no use el botón cebo.

ARRANCADOR DE RETROCESO CONGELADO

Si el arrancador está congelado y no arranca el motor:

- Hale tanta longitud de cuerda del arrancador como sea posible.
- Suelte la manija del arrancador y déjela enrollarse de nuevo contra el arrancador.

Si el motor falla en arrancar, repita el procedimiento. Si intentos continuados no liberan el arrancador, siga el procedimiento para arranque eléctrico en frío.

Para ayudar a evitar la posibilidad de congelamiento del arrancador de retroceso y los controles del motor, proceda de la manera siguiente después de cada trabajo de remoción de nieve.

- **Con el motor en marcha**, hale la cuerda de arranque energicamente con un alargamiento de brazo continuo tres o cuatro veces. El halado de la cuerda de arranque producirá un sonido de repiqueteo fuerte. Esto no causa daño ni al motor ni al arrancador.
- **Con el motor parado**, limpie toda la nieve y humedad de la cubierta del carburador en el área de las palancas de control. Asimismo, mueva el control de aceleración, control de estrangulación, y manija del arrancador varias veces y deje el estrangulador en la posición TOTAL (FULL) y la palanca de aceleración en la posición MARCHA (RUN).

OPERACION

PISTAS SOBRE LANZAMIENTO DE NIEVE

- Para mayor eficiencia de lanzamiento de nieve durante la remoción de la misma, ajuste la velocidad en el terreno, **NUNCA** la aceleración. Avance lentamente en nieve profunda, congelada, o húmeda. Si la oruga desliza, reduzca la velocidad hacia adelante. El motor está diseñado para brindar un rendimiento máximo bajo aceleración total y debe ser operado en este valor de potencia en todo momento.
- El lanzamiento de nieve es más eficiente si la remoción de la misma se efectúa inmediatamente después de su caída.
- Para una remoción completa de la nieve, traslape ligeramente cada camino adoptado previamente.
- La nieve debería ser descargada en la dirección del viento siempre que sea posible.
- Para uso normal, posicione las correderas de apoyo de manera tal que la barra raspadora se encuentre 1/8 de pulgada sobre las correderas de apoyo. Para superficies de nieve dura extremadamente compacta, ajuste las correderas de apoyo hacia arriba de manera que la barra raspadora haga contacto con el terreno.
- En superficies de grava o roca triturada, posicione las correderas de apoyo a 1-1/4 pulgadas por debajo de la barra raspadora (Véase el párrafo "Cómo ajustar la altura de las correderas de apoyo" en la página 18). Las rocas y grava no deberán ser recogidas y lanzadas por la máquina.
- Si la parte delantera de la removedora de nieve tiene la tendencia de elevarse reduzca la velocidad sobre el terreno y enganche el sistema de transferencia de peso.
- Después de que se haya completado el lanzamiento de nieve, permita que el motor se encuentre en reposo por unos cuantos minutos, lo cual derretirá la nieve y hielo acumulado del motor.
- Efectúe una limpieza completa de la removedora de nieve luego de cada uso.
- Remueva la acumulación de hielo y nieve y todo material extraño heterogéneo de la removedora de nieve en su totalidad, y lave con agua (si fuese posible) para remover toda sal u otras sustancias químicas. Seque la removedora de nieve.

RESPONSABILIDADES DEL CLIENTE

REGISTROS DE SERVICIO Llene las fechas a medida que complete su servicio regular	PROGRAMA							FECHAS DE SERVICIO
	Después de las primeras 2 horas	Antes de cada uso	De acuerdo a lo necesario	Cada 10 horas	Cada 25 horas	Primero de cada temporada	Antes del almacenamiento	
Revisar el nivel del aceite del motor		✓				✓		
Cambiar el aceite del motor	✓				✓	✓		
Apretar todos los tornillos y tuercas	✓		✓					
Revisar el ajuste del cable del embrague de la oruga (Véase Ajuste del cable)						✓		
Reemplazar la bujía					✓	✓		
Ajustar las correas impulsoras	✓				✓	✓		
Lubricar todos los puntos pivote				✓			✓	
Lubricar el eje de transmisión del barreno (Véase Reemplazo del perno de seguridad por esfuerzo cortante)							✓	
Lubricar las ruedas dentadas y cadenas moderadamente (Conjunto de la oruga)				✓			✓	
Drenar combustible							✓	
Revisar el ajuste del cable del embrague del barreno (Véase Ajuste del cable)						✓		
Lubricar el aditamento Zerk de la rueda de fricción (Véase responsabilidades del cliente)							✓	

RECOMENDACIONES GENERALES

La garantía de esta removedora de nieve no cubre elementos que han estado sujetos a abuso o negligencia del operador. Para recibir el valor total de la garantía, el operador deberá dar mantenimiento a la removedora de nieve de acuerdo a las instrucciones contenidas en este manual.

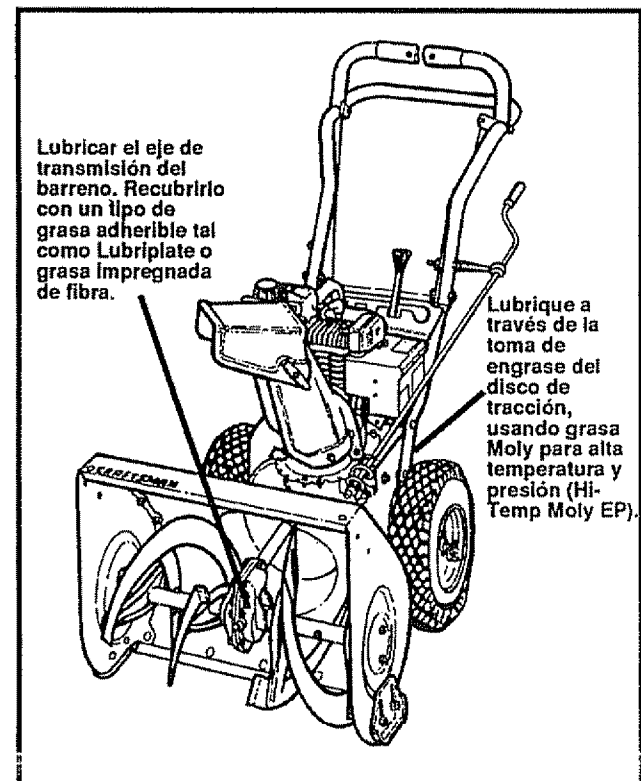
Se necesitará efectuar algunos ajustes periódicamente para mantener apropiadamente su removedora de nieve.

Todos los ajustes en la sección Servicio y ajustes de este manual deberán ser verificados por lo menos una vez durante la estación.

DESPUES DE USARLA POR PRIMERA VEZ

- Examine todas las piezas para ver si están sueltas o dañadas.
- Ajuste todos los pernos que estén flojos.
- Inspeccione y dé mantenimiento al barreno.
- Cada vez que la use, retire de la removedora cualquier resto de nieve o fango para evitar la congelación del barreno y los controles.
- Inspeccione los controles y verifique su buen funcionamiento.
- Si existe alguna parte desgastada o dañada, reemplácela inmediatamente.

TABLA DE LUBRICACION



RESPONSABILIDADES DEL CLIENTE

REMOVEDORA DE NIEVE

LUBRICACION - CADA CINCO HORAS

- Lubrique la brida del canal de descarga cada cinco (5) horas durante el tiempo de uso y antes de guardar la unidad (vea la Fig. 17).
- Consulte el diagrama de la "Tabla de lubricación" en la página 16 respecto a los puntos de lubricación y los tipos de aceite.

LUBRICACION - CADA DIEZ HORAS

- Eje del barreno - Cuando vaya a guardar la unidad, lubrique el eje del barreno (vea la Fig. 16) con una grasa de fijación del tipo Lubriplate. Cuando cambie los pernos de seguro por esfuerzo cortante, remuévalos y lubrique el eje del barreno (Consulte la sección "Como cambiar los pernos de seguro por esfuerzo cortante del barreno" en la página 24).
- La palanca de control del canal de descarga, usada para cambiar la dirección en la cual la nieve es arrojada, requiere de lubricación frecuente al igual que antes de proceder a guardar la unidad (vea la Fig. 17).
- Vea el diagrama de la "Tabla de lubricación" en la página 16 para obtener información sobre los puntos de lubricación y el tipo de aceite a utilizar.

LUBRICACION - CADA 25 HORAS

- Ponga la palanca de cambios en la primera velocidad.
- Coloque una moneda o cuña de igual grosor, entre la rueda de fricción de goma y el disco de tracción para evitar su contacto.
- Disco de tracción - Utilice grasa Moly para alta temperatura y presión (Hi Temp EP Moly), y un engrasador manual, para engrasar el aditamento zerk colocado debajo del disco (vea la llamada interna en la Fig. 18) cada 25 horas, al final de la temporada fría y/o antes de guardar la unidad. Para efectuar el engrase, haga girar el disco manualmente en el sentido de las agujas del reloj hasta que el aditamento zerk sea visible al frente y al centro. NO permita que la grasa desborde o entre en contacto con el disco o la rueda de fricción, ya que podrían dañarse. Ponga grasa en cantidad suficiente y sólo hasta que sea visible al nivel del rodamiento debajo del aditamento zerk. Vea la "Tabla de lubricación" en la página 16.
- **IMPORTANTE:** Retire la moneda o cuña y asegúrese de que existe un espacio entre la rueda de fricción y el disco de tracción.
- **NOTA:** Limpie todo exceso de grasa del cubo de la rueda de fricción.
- **PRECAUCION:** No permita que la grasa entre en contacto con la rueda de fricción o el disco de tracción.

LUBRICACION - ANTES DE GUARDAR LA REMOVEDORA

- Retire ambas ruedas y engrase los dos ejes con cualquier grasa para automóviles (vea la Fig. 15); vuelva a colocar las ruedas. Haga este mantenimiento por lo menos una vez al año y/o antes de guardar la máquina al final de la temporada.

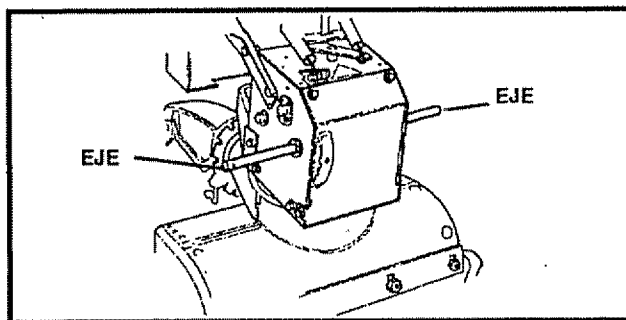
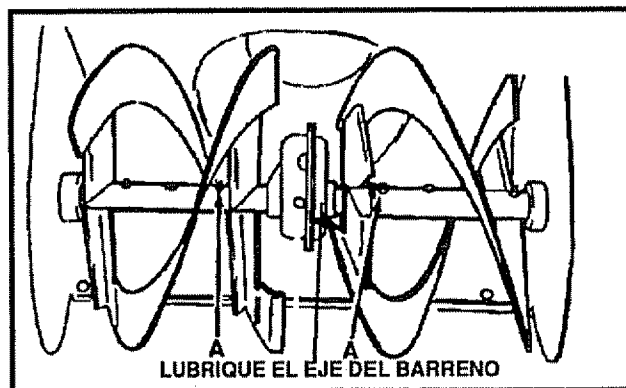


FIG. 15



LUBRIQUE EL EJE DEL BARRENO

FIG. 16

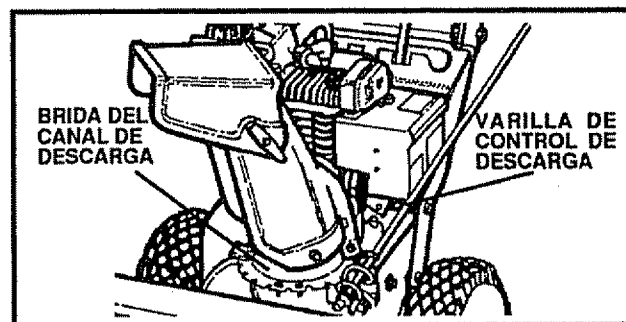


FIG. 17

LUBRICACION

- Eje hexagonal y engranajes - No requieren lubricación alguna. Todas las partes móviles están lubricadas de por vida y no necesitan mantenimiento (vea la Fig. 18).

NOTA: Si pone grasa o aceite en los componentes mencionados, la misma puede contaminar la rueda de fricción. Si el disco de tracción o la rueda de fricción se contaminan con grasa o aceite, pueden producirse daños a la rueda de fricción.

Si cae aceite o grasa sobre el disco de tracción o la rueda de fricción, asegúrese de limpiarlos cuidadosamente.

NOTA: Cuando vaya a guardar la unidad, pase una toalla impregnada en aceite de motor 5W-30 por el eje hexagonal y los engranajes para evitar su oxidación (vea la Fig. 18).

RESPONSABILIDADES DEL CLIENTE

- Caja de engranajes de la barrena - La caja de engranajes de la barrena se lubrica en la fábrica y no debe necesitar lubricación adicional. Si por alguna razón el lubricante se fuga o si la caja de engranajes de la barrena ha recibido servicio, agregue Lubriplate No. 630-AA o su equivalente. Se debe usar un máximo de 3 1/4 onzas. Remueva el tapón del relleno (Figura 18-A) una vez al año. Si hay grasa si es necesario. Vuelva a instalar el tapón del relleno de la caja de engranajes.

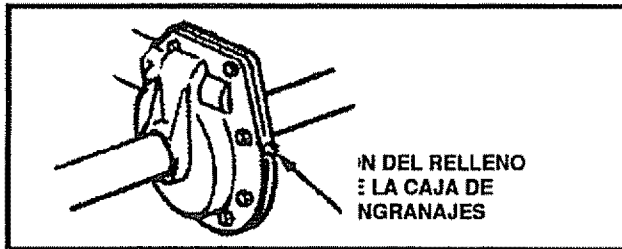


FIG. 18-A

MOTOR

LUBRICACION

Inspeccione el nivel de aceite en el cárter (vea la Fig. 19) antes de encender el motor y después de cinco (5) horas de uso continuo. Agregue aceite de motor S.A.E. 5W-30 según se requiera. Ajuste la tapa/varilla de medición cada vez que verifique el nivel de aceite. En zonas donde la temperatura baja a -6,7°C (20°F) o menos, puede usar aceite S.A.E. 5W-30 para facilitar el arranque del motor.

NOTA: Para utilizar la removedora en condiciones de frío extremo (-17,7°C (0°F) o menos) puede usar aceite del tipo 0W-30 y así facilitar el encendido del motor.

RECOMENDACION DE ACEITE

Use solamente aceite detergente de alta calidad calificado con la clasificación SG servicio API. Seleccione el grado de viscosidad del aceite de acuerdo a la temperatura de operación esperada.

GRADOS DE VISCOSIDAD RECOMENDADOS



NOTA: Aunque los aceites de viscosidad múltiple facilitan el arranque en clima frío, estos aceites de viscosidad múltiple resultan en un incremento en el consumo de aceite al usarse sobre 32°F. Verifique el nivel del aceite de su motor con mayor frecuencia para evitar posibles daños al motor causados por operación con un nivel bajo de aceite.

Cambie el aceite después de las primeras dos horas de operación y cada 25 horas en lo sucesivo o al menos una vez al año si la removedora de nieve no se usa durante 25 horas (Véase Fig. 20)

- Coloque la removedora de nieve de manera tal que el tapón de drenaje del aceite sea el punto más bajo del motor. Remueva el tapón de drenaje del aceite y tapadera/varilla medidora del nivel del aceite. Drene el aceite en un contenedor apropiado. El aceite fluirá mejor al encontrarse caliente

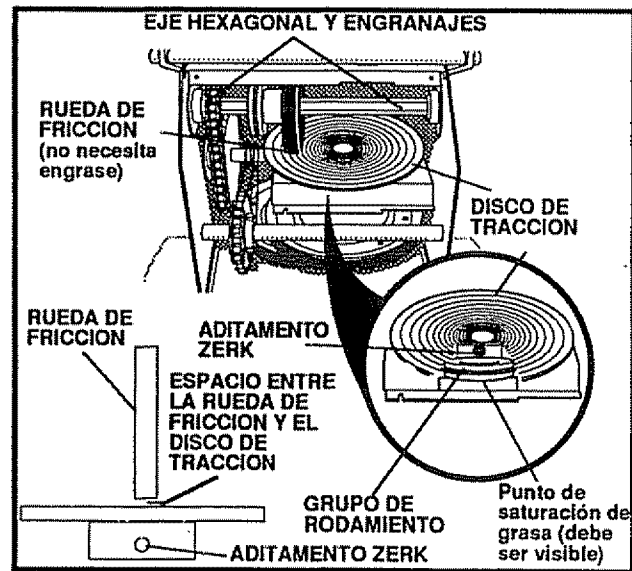


FIG. 18

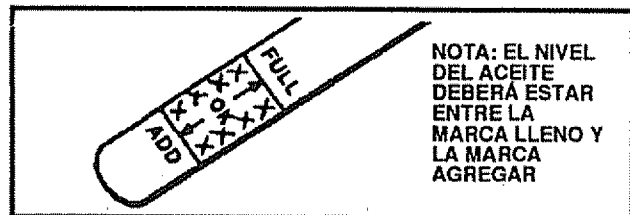


FIG. 19

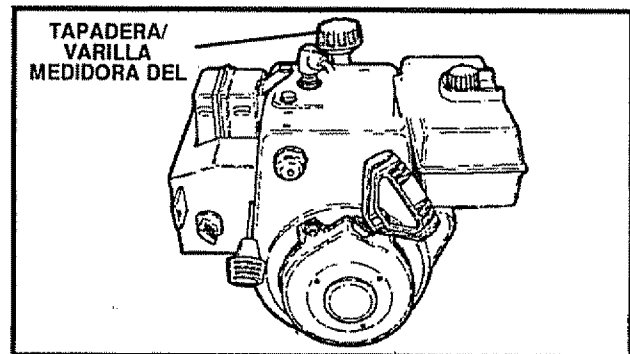


FIG. 20

- Coloque nuevamente el tapón de drenaje del aceite y apriételo en forma segura. Llene nuevamente la caja del cigüeñal y apriete en forma segura. Llene nuevamente la caja del cigüeñal con aceite de motor S.A.E. 5W30.

BUJIA

- Asegúrese de que la bujía esté apretada en forma segura en el motor y que el alambre de la bujía esté conectado a ésta.
- Si se encuentra disponible una llave de torsión, aplique un momento de 18 a 23 pies-libra a la bujía.
- Limpie el área alrededor de la base de la bujía antes de removerla para evitar que entre suciedad en el motor.
- Limpie la bujía y restaure el entrehierro periódicamente a 0.030 pulgadas.

SERVICIOS Y AJUSTES



PRECAUCION: SIEMPRE DESCONECTE EL ALAMBRE DE LA BUJIA Y AMARRELO ALEJADO DE LA BUJIA ANTES DE EFECTUAR CUALESQUIERA AJUSTES Y REPARACIONES.

AJUSTE DE LA CORREDERA DE APOYO

Este equipo cuenta con dos correderas de apoyo colocadas en la parte exterior del alojamiento del barreno (vea la Fig. 21). Estos niveladores elevan la parte delantera de la máquina removedora.

Para limpiar superficies duras corrientes, como caminos o aceras pavimentadas, ajuste las correderas de la forma siguiente:

- Examine la presión de las ruedas (de 228 a 277 kg/cm² ó de 14 a 17 PSI).
- Coloque los pernos de seguro por esfuerzo cortante extras que encontrará en la bolsa de suministros, debajo de cada uno de los extremos de la barra raspadora, cerca pero no debajo de la corredera.
- Afloje las tuercas de sujeción de las correderas (vea la Fig. 21), y ajuste las correderas de forma tal que la parte delantera de la removedora descansa sobre los pernos de seguro por esfuerzo cortante. Vuelva a ajustar las tuercas de sujeción.
- Coloque la corredera del lado contrario a la misma altura.

NOTA: Cuando haga funcionar la máquina en superficies de grava o disperejas, eleve su parte delantera moviendo las correderas hacia abajo. Esto ayudará a evitar que el barreno alcance y arroje piedras u otros objetos extraños.

AJUSTE DE LA BARRA RASPADORA

Después de un uso considerable, la barra raspadora metálica mostrará un patrón de desgaste definido. La barra raspadora y las correderas de apoyo deben ajustarse conjuntamente para permitir un holgura de 3,2 mm (1/8 pulgada) entre la barra raspadora y la acera o área a limpiarse. Puede ser necesario colocar la barra raspadora en su posición inferior original, para mantener el alto nivel de rendimiento esperado. Si necesita de ajuste:

- Coloque la máquina sobre una superficie nivelada.
- Asegúrese de que ambas ruedas tengan igual presión; el nivel adecuado de presión es de 228 a 277 kg/cm² (14 a 17 PSI). Observe los límites de presión indicados en la cara de la rueda: no los exceda

- Afloje los pernos de carruaje (empotramiento) y las tuercas que fijan la barra raspadora al alojamiento del barreno
- Ajuste la barra raspadora en su posición correcta
- Apriete los pernos de carruaje y las tuercas, asegurándose de que la barra raspadora esté paralela a la superficie de apoyo.
- Para una mayor duración de la barra raspadora, puede colocarla invertida. Si necesita reemplazarla, saque los pernos de carruaje y las tuercas e instale una barra nueva

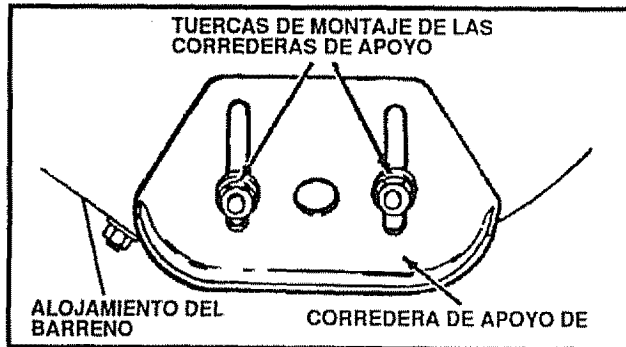


FIG. 21



PRECAUCION: ASEGURESE DE MANTENER LA DISTANCIA ADECUADA HACIA EL TERRENO PARA SU AREA PARTICULAR A SER DESPEJADA. LOS OBJETOS TALES COMO GRAVA, ROCAS U OTROS MATERIALES EXTRAÑOS HETEROGENEOS, DE SER GOLPEADOS POR EL IMPULSOR, PODRIA TIRARLOS CON SUFICIENTE FUERZA COMO PARA CAUSAR HERIDAS PERSONALES, DAÑO A PROPIEDADES O DAÑO A LA REMOVEDORA DE NIEVE.

SERVICIOS Y AJUSTES

PARA AJUSTAR LOS CABLES DE CONTROL DEL EMBRAGUE

Se podría requerir el ajuste periódico de los cables debido al estiramiento normal y el desgaste en las correas. Para verificar el ajuste correcto, la palanca de control deberá estar completamente en la posición hacia adelante, descansando en el parachoques plástico. Los cables de control están ajustados correctamente cuando el centro del aditamento "Z" está en el centro del agujero y no hay holgura en el cable (Véase Fig. 23).

Si el ajuste es necesario:

- Extraiga toda la gasolina del tanque. Coloque la unidad apoyada en un extremo del barreno.
- Desconecte el aditamento "Z" de la palanca de propulsión.
- Empuje el cable a través del resorte (Véase Fig. 24) para exponer la porción roscada del cable.
- Sostenga el extremo cuadrado de la porción roscada con tenazas y ajuste la tuerca de seguridad hacia adentro o hacia afuera hasta que la holgura en exceso sea removida.
- Hale el cable de nuevo a través del resorte y conecte el cable.
- Haga lo mismo para el otro cable de palanca, si fuese necesario.

NOTA: Siempre que el propulsor de oruga o las correas del barreno sean ajustadas o reemplazadas, los cables deberán ser ajustados.

PARA AJUSTAR LAS CORREAS

Las correas se estiran con el uso normal. Si necesita ajustar las correas debido a desgaste o estiramiento, proceda de la manera siguiente:

CORREA DE PROPULSION DEL BARRENO (Véase Fig. 26)

Si su removedora de nieve no descarga nieve, verifique el ajuste del cable de control. Si está correcto entonces verifique la condición de la correa de propulsión del barreno. Podría estar floja o dañada. Si esta dañada, reemplácela. Vea el párrafo "Para reemplazar correas" en la página 21). Si la correa de propulsión del barreno está floja, ajústela de la siguiente manera:

- Desconecte el alambre de la bujía.
- Remueva la cubierta de la correa (Véase Fig. 27, página 21).
- Afloje la tuerca en la polea tensora (Véase Fig. 26) y mueva la polea hacia la correa aproximadamente 1/8 de pulgada.
- Apriete la tuerca.
- Presione la palanca de propulsión del barreno. Verifique la tensión en la correa (polea tensora opuesta). La correa debería presentar una deflexión de 1/2 pulgada con presión moderada (Véase Fig. 25).

NOTA: Es posible que tenga que mover la polea tensora más de una vez para obtener la tensión correcta.

- Reemplace la cubierta de la correa.
- Verifique el ajuste del cable de control del embrague
- Conecte de nuevo el alambre de la bujía

CORREA DE PROPULSION DE LA ORUGA

La correa de propulsión de la oruga tiene presión constante de resorte y no requiere ajuste. Verifique el ajuste del cable del control del embrague antes de reemplazar la correa.

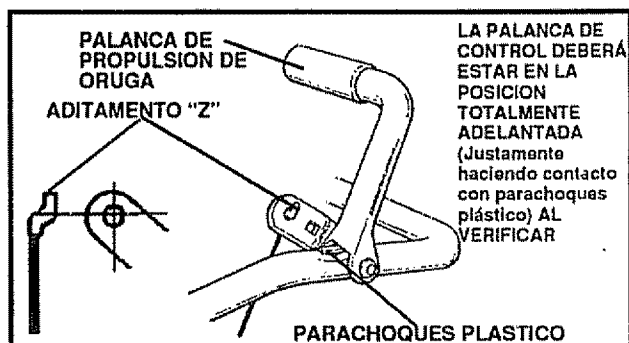


FIG. 23

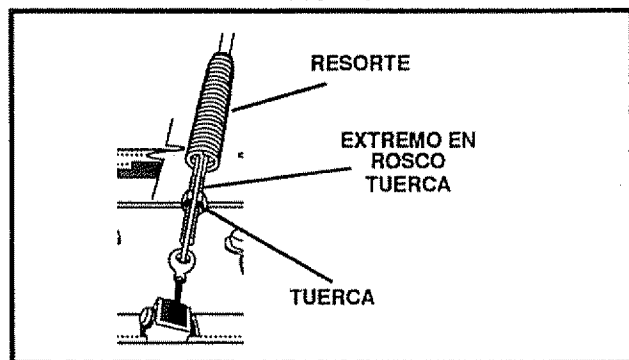


FIG. 24

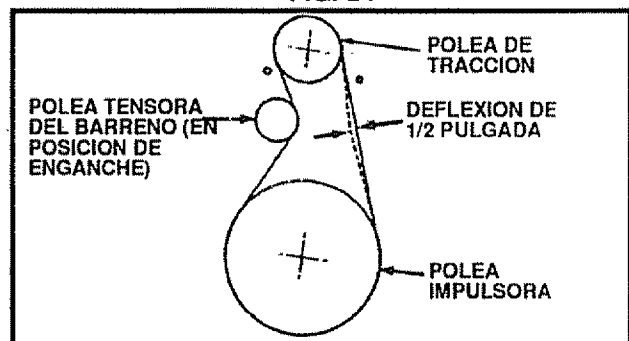


FIG. 25

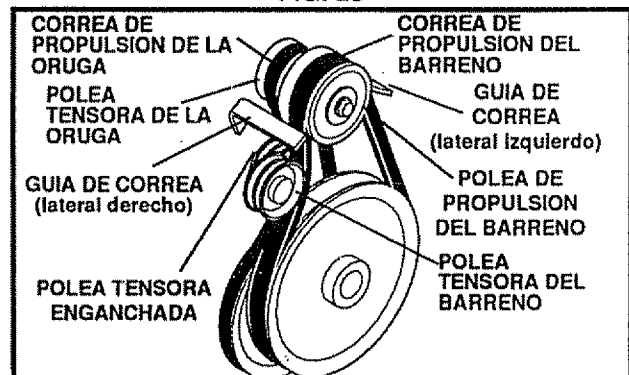


FIG. 26

Reemplace la correa de propulsión de la oruga si aún está resbalando (Véase el párrafo "Para reemplazar correas" en la página 22)

SERVICIOS Y AJUSTES

CAMBIO DE CORREAS

Las correas de tracción de esta unidad son el resultado de una fabricación especial y deben ser substituidas con el mismo tipo de correas, disponibles en su tienda o Centro de Servicios Sears más cercano.

Usted necesitará la ayuda de otra persona mientras reemplaza las correas.

Para sacar la gasolina del tanque, remueva los ductos de gasolina. Drene la gasolina e instale los ductos nuevamente.



PRECAUCION: DRENE LA GASOLINA EN ESPACIOS ABIERTOS, LEJOS DEL FUEGO Y PUNTOS DE CALOR.

CORREA DE TRACCION DEL BARRENO

Si su removedora de nieve no expulsa la nieve y la correa de tracción del barreno está dañada, reemplácela de la siguiente forma:

- Desconecte el alambre de la bujía.
- Retire el guardacorreas (vea la Fig. 27).
- Afloje las guías de la correa (vea la Fig. 28) y aléjelas de la polea de tracción del motor.
- Afloje la tuerca de la polea tensora del barreno (vea la Fig. 28) y aleje la polea de la correa.
- Remueva la correa de la polea de tracción del motor.
- Remueva los dos pernos superiores que fijan el alojamiento del barreno a la cubierta del motor. Afloje los dos pernos de abajo (vea la Fig. 30 en la página 22).
- El alojamiento del barreno se separará de la cubierta del motor, girando sobre los dos pernos de abajo.
- Remueva el brazo del freno del alojamiento. No retire el resorte.
- Remueva la correa usada de la polea de tracción del barreno.
- Instale una correa de reemplazo del mismo tipo en la polea del barreno.
- Vuelva a colocar el brazo del freno en el alojamiento, verificando que el mismo inserte bien y que la almohadilla del freno se halle sobre el surco de la polea.
- Coloque la correa alrededor de la polea de tracción del motor.
- Verifique el ajuste de la correa de tracción del barreno (vea la sección "Ajuste de la correa de tracción del barreno" en la página 20).
- Ajuste las guías de la correa (vea la sección "Ajuste de la guías de la correa" en la página 22).
- Coloque los dos pernos superiores y apriete los dos inferiores.
- Coloque nuevamente el guardacorreas
- Inspeccione la tensión del cable de control del embrague (vea la página 20).
- Conecte nuevamente el alambre de la bujía.

CORREA DE LA TRACCION DE AVANCE (vea la Fig. 28)

Si su removedora no avanza, inspeccione la correa de tracción del avance para determinar su desgaste. (Examine también otras causas posibles incluidas en la sección "Puntos guías en la resolución de problemas.") Si necesita reemplazar la correa del avance, proceda como se indica a continuación:

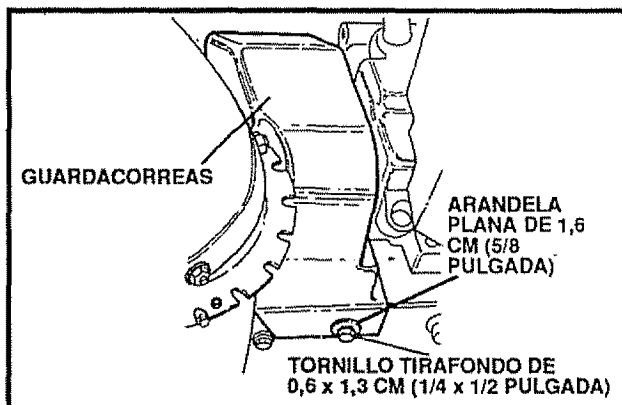


FIG. 27

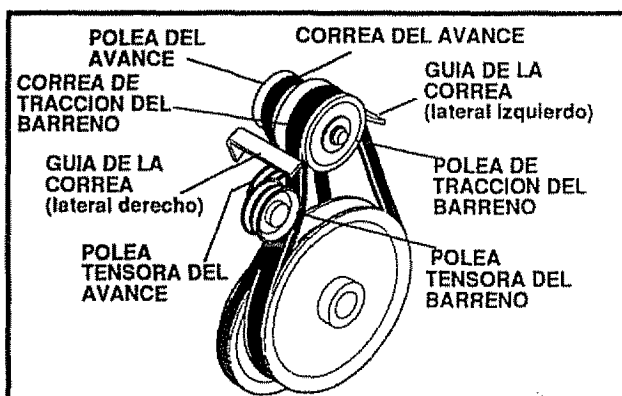


FIG. 28

- Desconecte el alambre de la bujía.
- Remueva el guardacorreas.
- Afloje las guías de la correa y aléjelas de la polea del motor
- Afloje la tuerca de la polea tensora del barreno y aleje la polea de la correa.
- Remueva la correa de tracción del barreno, de la polea del motor.
- Separe la polea tensora de la correa de tracción
- Saque la correa de tracción.
- Enganche una correa de tracción nueva y del mismo tipo, alrededor de la polea de tracción.
- Hale la polea tensora alejándola de la correa, así podrá colocar la correa en la polea del motor.
- Libere la polea tensora, asegurándose de que enganche correctamente con la correa.
- Instale de nuevo la correa de tracción del barreno sobre la polea del motor.
- Ajuste las guías de la correa y apriete los tornillos de sujeción (vea la sección "Ajuste de la guías de la correa" en la página 22).
- Ajuste la tensión de la polea tensora sobre la correa del barreno (vea la página 18).
- Reinstale el guardacorreas.
- Conecte el alambre de la bujía

SERVICIOS Y AJUSTES

AJUSTE DE LAS GUIAS DE LAS CORREAS

Su removedora de nieve tiene dos guías de correa: una a la derecha y otra a la izquierda. Después de cambiar la correa del avance, usted necesitará ajustar una o las dos guías. Haga lo siguiente con cada correa:

- Desconecte el alambre de la bujía.
- Remueva el guardacorreas quitando el perno y la arandela plana ubicados tanto a la derecha como a la izquierda (vea la Fig. 27 en la página 20).
- Enganche la palanca de tracción del barreno.
- Mida la distancia entre las guías y la correa (vea la Fig. 29). Esta distancia debe ser de 2,4 mm (3/32 pulgada) para cada guía.
- Si las guías necesitan ajuste: afloje los pernos de sujeción de las guías, mueva las guías a la posición correcta y apriete los pernos nuevamente.
- Reinstale el guardacorreas.
- Conecte el alambre de la bujía.

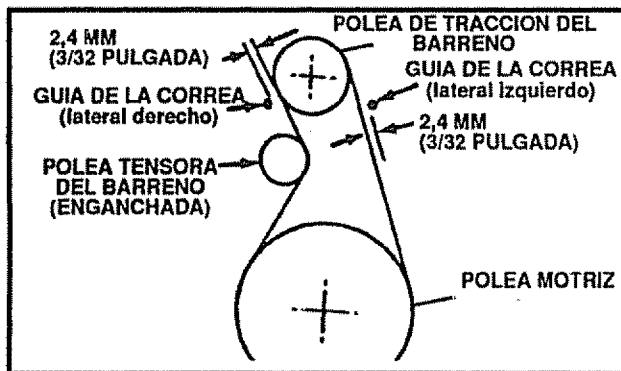


FIG. 29

AJUSTE DE LA RUEDA DE FRICCIÓN

Si la máquina removedora no adelanta, usted necesita inspeccionar la correa y el cable del avance, y la rueda de fricción. Si la rueda de fricción presenta deterioro o daño, necesita cambiarla (vea la sección "Cambio de la rueda de fricción" en la página 23). Si la rueda de fricción no presenta desgaste, inspeccione su ajuste como sigue:

- Desconecte el alambre de la bujía.
- Extraiga la gasolina del tanque.
- Apoye la removedora sobre el extremo del alojamiento del barreno.
- Remueva el panel del fondo (vea la Fig. 30).
- Coloque la palanca de cambios en la primera (1) velocidad.
- Observe la posición de la rueda de fricción sobre el disco de tracción: el lado derecho más hacia afuera del disco de tracción debe estar a 7,6 cm (3 pulgadas) del centro de la rueda de fricción (vea la Fig. 31A).

Si necesita algún ajuste:

- Afloje los pernos de la palanca de cambios (vea la Fig. 31B).
- Mueva la rueda de fricción a su posición correcta como se indicó previamente (vea la Fig. 31A).
- Ajuste de nuevo los pernos en la palanca de cambios.
- Reinstale el panel del fondo.

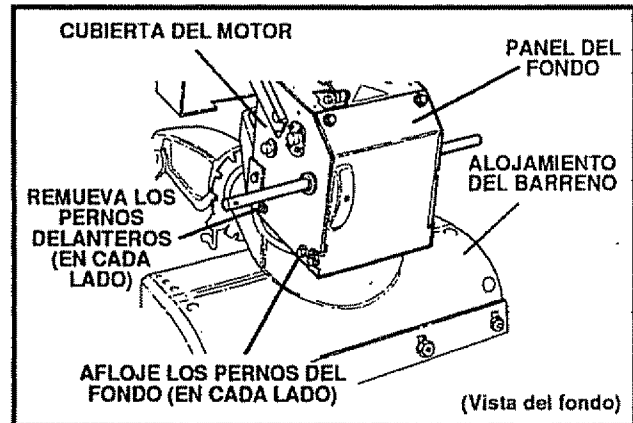


FIG. 30

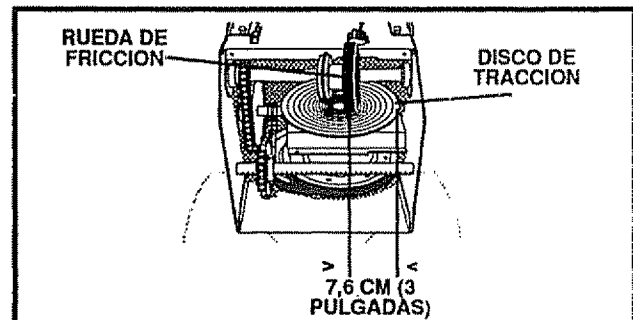


FIG. 31A

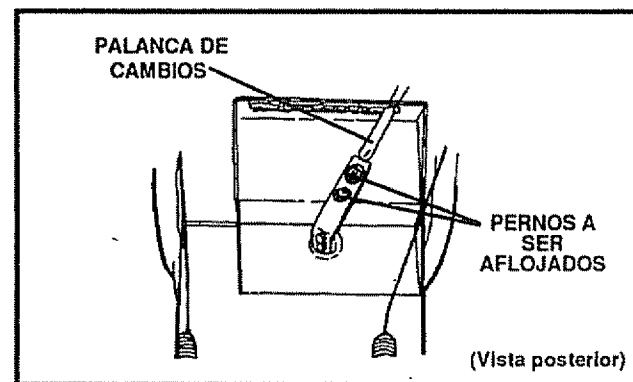


FIG. 31B

SERVICIOS Y AJUSTES

REEMPLAZO DE LA RUEDA DE FRICCIÓN

Si la removedora de nieve no adelanta y la rueda de fricción presenta desgaste o daño, usted necesita cambiarla como se indica a continuación: (Deje primero reposar el motor hasta que enfíe.)



PRECAUCION: DRENE LA GASOLINA EN ESPACIOS ABIERTOS Y LEJOS DEL FUEGO Y PUNTOS DE CALOR.

- Para sacar la gasolina del tanque, remueva los ductos de gasolina. Drene la gasolina e instale los ductos nuevamente.
- Desconecte el alambre de la bujía.
- Coloque la máquina removedora hacia arriba y sobre el extremo del alojamiento del barreno (vea la Fig. 33).
- Remueva el panel del fondo (vea la Fig. 30 en la página 21).
- Remueva los tres (3) pasadores que sujetan la rueda de fricción al cubo (vea la Fig. 32) y colóquelos a un lado.
- Retire los cuatro pernos que sujetan los cojinetes (a ambos lados).
- Remueva el cojinete derecho, dejando el eje hexagonal en su posición original (vea la Fig. 33).
- Retire la rueda de fricción del cubo y sáquela hacia el lado derecho del eje hexagonal (vea la Fig. 33).
- Coloque la nueva rueda de fricción en el cubo.
- Lleve los cojinetes a sus posiciones originales. Asegúrese de que el eje hexagonal enganche en los dos cojinetes.
- Asegure los cojinetes usando los pernos sacados anteriormente.
- Fije la rueda de fricción al cubo, usando los pasadores sacados anteriormente. Asegúrese de que el eje hexagonal gire libremente.

NOTA: Asegúrese de que la rueda y el disco de fricción estén libres de grasa o aceite.

- Instale el panel del fondo.
- Coloque la removedora de nieve sobre las ruedas.

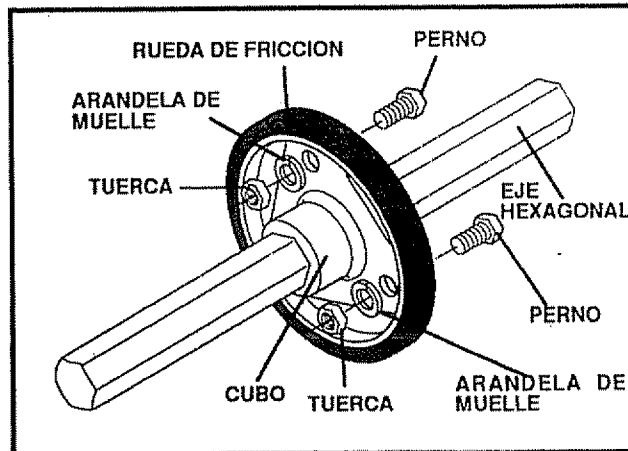


FIG. 32

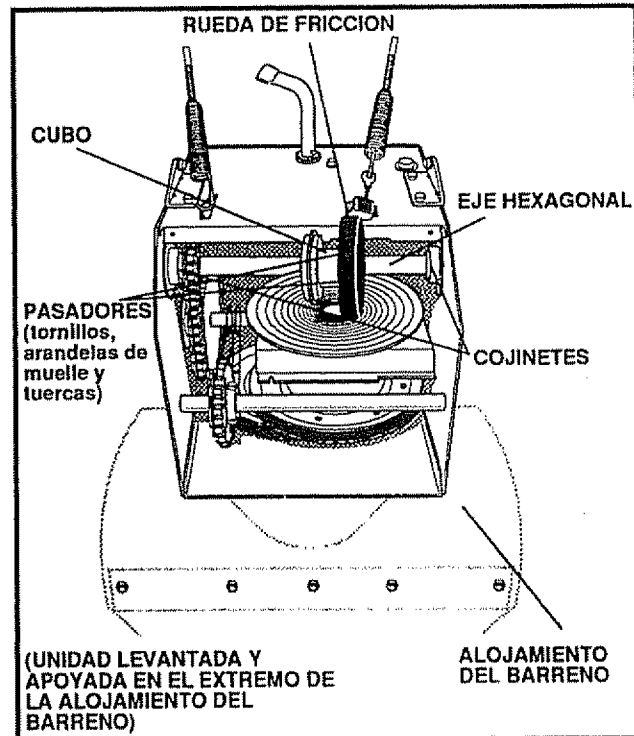


FIG. 33

SERVICIOS Y AJUSTES

PARA REEMPLAZAR EL PERNO DE SEGURO POR ESFUERZO CORTANTE DEL BARRENO

Los barrenos están asegurados al eje de transmisión del barreno con pernos especiales (Véase Fig. 34) que están diseñados para romperse (para proteger la máquina) si un objeto se atora en el alojamiento del barreno. El uso de un perno mas duro destruiría la protección provista por el perno de seguro por esfuerzo cortante.

IMPORTANTE: PARA GARANTIZAR LA SEGURIDAD Y LOS NIVELES DE RENDIMIENTO, SE DEBE USAR SOLAMENTE PERNOS DE SEGURIDAD POR ESFUERZO CORTANTE DE EQUIPO ORIGINAL.

Para reemplazar un perno de seguridad por esfuerzo cortante roto, proceda de la siguiente manera:

- Mueva la aceleración a PARAR (STOP) y apague todos los controles.
- Desconecte el alambre de la bujía. Asegúrese de que todas las piezas móviles se han detenido.
- Lubrique el aditamento zerk del eje de transmisión del barreno (Véase la sección Responsabilidades del cliente, en páginas 16-18).
- Alinee el agujero en el barreno con el agujero en el eje de transmisión del barreno. Instale el nuevo perno de seguridad por esfuerzo cortante y la tuerca provistos.
- Reconecte el alambre de la bujía.

PARA AJUSTAR EL CARBURADOR

El carburador (Véase Fig. 35 y Fig. 37 en página 26) ha sido preconfigurado en la fábrica y los reajustes no deberían ser necesarios. Sin embargo, si el carburador de hecho necesita ser ajustado, proceda de la manera siguiente:

- Cierre el tornillo de ajuste de alta velocidad a mano.
- No lo apriete en exceso.
- Luego ábralo 1-1/4 a 1-1/2 vueltas.
- Cierre el tornillo de ajuste de marcha en reposo al darle vuelta en el sentido horario manualmente. No apriete en exceso.
- Luego ábralo 1-1/4 a 1-1/2 vueltas.
- Arranque el motor y déjelo calentar.
- Coloque el control de la aceleración en MARCHA (RUN). Ajuste el tornillo de ajuste de alta velocidad **hacia adentro** hasta que la velocidad del motor o el sonido se altera. Ajuste el tornillo **hacia afuera** hasta que el sonido de la velocidad del motor se altera. Note la diferencia entre los dos límites y fije el tornillo en la mitad de ese rango.
- Coloque el control de la aceleración en DESPACIO (SLOW). Ajuste el tornillo de ajuste de marcha en reposo **hacia adentro** hasta que la velocidad disminuya, luego ajuste el tornillo **hacia afuera** hasta que el sonido de la velocidad se altera. Note la diferencia entre los dos límites y fije el tornillo en la mitad de ese rango.

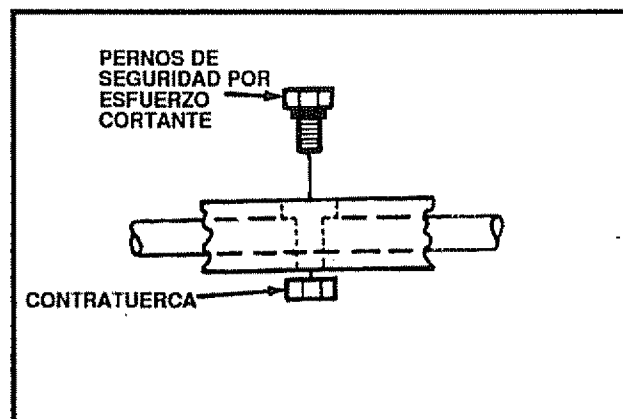


FIG. 34

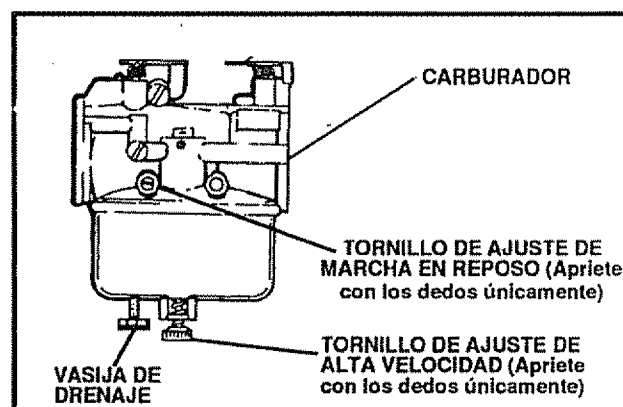


FIG. 35

- Si el motor tiende a apagarse bajo carga o no acelerar desde la velocidad baja a la alta apropiadamente, ajuste el tornillo de alta velocidad en incrementos de 1/8 de vuelta hasta que el problema se resuelva.
- Deje que el motor esté en marcha sin perturbaciones durante 30 segundos entre cada posición para permitir que el motor reaccione a los ajustes previos.

IMPORTANTE: NUNCA EXPERIMENTE CON EL GOBERNADOR DEL MOTOR, EL CUAL ESTA CONFIGURADO DE FABRICA PARA LA VELOCIDAD APROPIADA DEL MOTOR. EL EXCESO DE VELOCIDAD DEL MOTOR POR ENCIMA DEL AJUSTE DE ALTA VELOCIDAD DE FABRICA PUEDE SER PELIGROSO. SI USTED CREE QUE LA ALTA VELOCIDAD GOBERNADA POR EL MOTOR NECESITA SER AJUSTADA, PONGASE EN CONTACTO CON SU CENTRO DE SERVICIO SEARS MAS CERCANO, EL CUAL TIENE EL EQUIPO Y LA EXPERIENCIA APROPIADO PARA EFECTUAR LOS AJUSTES NECESARIOS.

SERVICIOS Y AJUSTES

PARA AJUSTAR O REEMPLAZAR LA BUJÍA

Si tiene dificultades al arrancar su removedora de nieve, podría necesitar ajustar o reemplazar la bujía. Siga las instrucciones que se presentan abajo:

Reemplace la bujía si los electrodos están picados o quemados o si la porcelana está rajada.

PARA AJUSTAR:

- Limpie la bujía al raspar cuidadosamente los electrodos (no la limpie a chorro de arena ni use un cepillo metálico).
- Asegúrese de que la bujía esté limpia y libre de materia extraña. Revise el entrehierro de los electrodos (Véase Fig. 36) con un instrumento medidor y restaure el entrehierro a 0,030 pulgadas si fuese necesario.

PARA REEMPLAZAR:

- Si necesita una bujía nueva, use solamente el reemplazo apropiado de bujía (Véase página 4).
- Coloque el entrehierro en 0,030.
- Antes de instalar la bujía, recubra su rosca ligeramente con aceite o grasa para asegurar su fácil remoción.
- Apriete la bujía firmemente en el motor.
- Si se encuentra disponible una llave de torsión, aplique un momento de 18 a 23 pies-libra a la bujía.

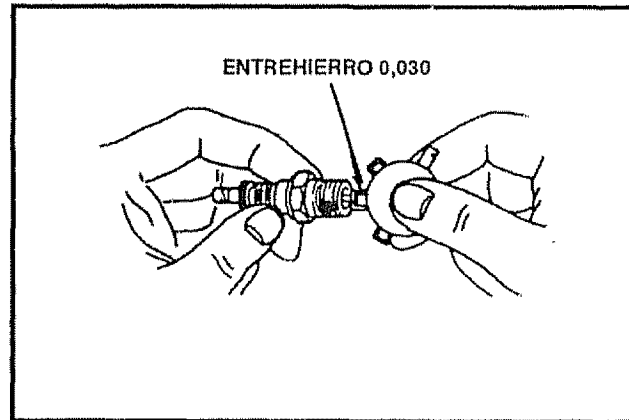


FIG. 36

ALMACENAMIENTO



PRECAUCION: NUNCA ALMACENE SU REMOVEDORA DE NIEVE EN AMBIENTES INTERIORES O EN UN AREA CERRADO, MAL VENTILADA SI EL TANQUE AUN TIENE GASOLINA. LOS VAPORES PODRIAN ALCANZAR UNA LLAMA DESPROTEGIDA, CHISPA O LLAMA PILOTO DE UN HORNO, CALENTADOR DE AGUA, SECADORA DE ROPA, CIGARRILLO, ETC.

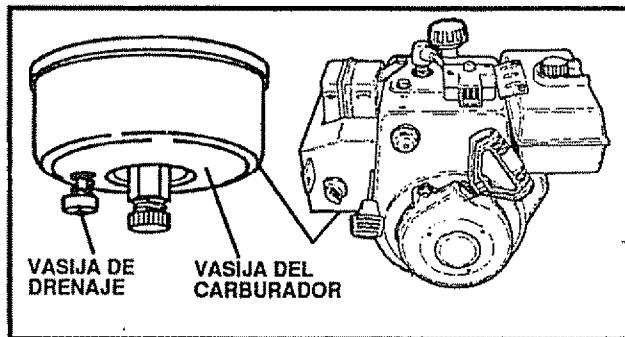


FIG. 37

Para evitar daño al motor si la removedora de nieve estará fuera de uso por más de 30 días) siga los pasos detallados abajo.

ALMACENAMIENTO DE LA REMOVEDORA DE NIEVE

- Limpie completamente la removedora de nieve.
- Lubrique todos los puntos de lubricación (vea la sección Responsabilidades del cliente en páginas 16-18)
- Asegúrese de que todos las tuercas, pernos y tornillos están sujetos de manera segura. Inspeccione todas las piezas móviles visibles para detectar daños, roturas y desgaste. Efectúe reemplazos si fuese necesario.
- Retoque todas las superficies de pintura oxidadas o desgarradas; lije antes de aplicar pintura.
- Cubra las piezas de metal al desnudo del compresor del alojamiento del barrenado y el impulsor con un material para prevenir la corrosión, tal como un lubricante en aerosol.

NOTA: Una revisión o afinado anual por un Centro de Servicio Sears es una buena manera de asegurar que su removedora de nieve le brindará el máximo rendimiento la siguiente temporada.

ALMACENAMIENTO DEL MOTOR

La gasolina deberá ser removida o tratada para prevenir la formación de depósitos de goma en el tanque, filtro, manguera, y carburador durante el almacenamiento. Asimismo, durante el almacenamiento, la gasolina mezclada con alcohol la cual utiliza etanol o metanol (algunas veces llamado gasohol) atrae agua. Actúa sobre la gasolina para formar ácidos los cuales dañan el motor.

- Para remover la gasolina, mantenga el motor en marcha hasta que el tanque esté vacío y el motor pare. Luego, drene la gasolina remanente del carburador presionando hacia arriba en la vasija de drenaje del carburador situada en la parte inferior del carburador (Véase Fig. 37).
- Si no desea remover la gasolina, podría añadir un estabilizador de combustible (tal como el Estabilizador de combustible Craftsman No. 33500) a cualquier gasolina que deje en el tanque para de minimizar los depósitos de goma y ácidos. Si el tanque está casi vacío, mezcle el estabilizador con gasolina fresca en un contenedor separado y agregue alguna de ésta al tanque.

SIEMPRE SIGA LAS INSTRUCCIONES EN EL CONTENEDOR DEL ESTABILIZADOR. LUEGO OPERE EL MOTOR SURANTE AL MENOS 10 MINUTOS DESPUES DE QUE SE HAYA AÑADIDO EL ESTABILIZADOR PARA PERMITIR QUE LA MEZCLA ALCANCE EL CARBURADOR. ALMACENE LA REMOVEDORA DE NIEVE EN UN LUGAR SEGURO. VEASE LA ADVERTENCIA ARRIBA.

Puede mantener su motor en buenas condiciones de funcionamiento durante el almacenamiento al:

- Cambiar el aceite (Véase página 18).
- Lubricando el área del pistón/cilindro. Esto puede ser hecho moviendo primero la bujía y salpicando el agujero de la bujía con aceite de motor limpio. Luego cubra el agujero de la bujía con un paño para absorber el rocío de aceite. A continuación, rote el motor al halar de la cuerda de arranque hasta sacarla completamente dos o tres veces. Finalmente, reinstale la bujía y conecte el alambre de la bujía.

OTROS

- Si fuese posible, almacene su removedora de nieve en ambientes interiores y cúbrala para protegerla contra el polvo y la suciedad.
- Si la máquina deberá estar en el exterior, colóquela sobre bloques para garantizar que la máquina no estará en contacto con el terreno.
- Cubra la removedora de nieve con una cubierta protectora apropiada que no retenga humedad. No use plástico ni vinilo.

IMPORTANTE: NUNCA CUBRA LA REMOVEDORA DE NIEVE MIENTRAS LAS AREAS DEL MOTOR Y EL ESCAPE AUN ESTEN CALIENTES.

PUNTOS PARA LA SOLUCION DE PROBLEMAS

PROBLEMA	CAUSA	CORRECCION
Dificultad de arranque	Bujía defectuosa Agua o suciedad en el sistema de combustible	Reemplazar bujía defectuosa Usar vasija de drenaje del carburador para lavar y rellenar con combustible fresco.
El motor funciona erráticamente	Línea de combustible bloqueada o poco combustible	Limpiar la línea de combustible; revisar la existencia de combustible; agregar combustible fresco (mezcla gasolina/aceite si es motor de dos tiempos)
El motor se apaga	Unidad funcionando en el modo ESTRANGULACION (CHOKE)	Colocar la palanca de estrangulación (choke) en la posición MARCHA (RUN)
El motor funciona erráticamente; pérdida de potencia	Agua o suciedad en el sistema de combustible Carburador desajustado	Usar vasija de drenaje del carburador para lavar y rellenar con combustible fresco Ajustar carburador
Vibración excesiva	Piezas flojas; impulsor dañado	Parar el motor inmediatamente y desconectar el alambre de la bujía. Apretar todos los pernos y efectuar las reparaciones necesarias. Si la vibración continúa, solicite a un reparador competente que le dé servicio a la unidad
La unidad no se puede propulsar a sí misma	Correa impulsora floja o dañada Ajuste incorrecto del cable impulsor de la oruga Rueda de fricción gastada o dañada	Reemplazar la correa de impulsión Ajustar cable de propulsión de la oruga Reemplazar la rueda de fricción
La unidad no descarga nieve	Correa propulsora del barreno floja o dañada Cable de control del barreno no ajustado correctamente Perno de seguridad por esfuerzo cortante roto Canal de descarga obstruido Objeto extraño atorado en barreno	Ajustar la correa de propulsión del barreno; reemplazar si esta dañada Ajustar el cable de control del barreno Reemplazar el perno de seguridad por esfuerzo cortante Parar el motor inmediatamente y desconectar el alambre de la bujía. Limpiar canal de descarga y dentro del alojamiento del barreno Parar el motor inmediatamente y desconectar el alambre de la bujía. Remover objeto del barreno
La unidad rueda sobre la nieve	Transferencia de peso desenganchada	Enganchar el pedal de transferencia de peso

SEARS

MANUAL DEL PROPIETARIO

MODELO NO. 536.886120

COMO EFECTUAR EL PEDIDO DE PIEZAS DE REPUESTO

CRAFTSMAN®

5 CABALLOS DE FUERZA DOS ETAPAS, 56 CM (22 PULGADAS) REMOVEDORA DE NIEVE ARRANQUE ELÉCTRICO

Cada REMOVEDORA DE NIEVE tiene su propio NUMERO DE MODELO en el marco de montaje del motor.

Cada MOTOR tiene su propio NUMERO DE MODELO en el ALOJAMIENTO DEL COMPRESOR.

Siempre mencione estos NUMEROS DE MODELO cuando solicite servicio o piezas de repuesto para su REMOVEDORA DE NIEVE.

Todas las piezas se pueden pedir a través de los Centros de servicio de Sears, Roebuck and Company y la mayoría de Tiendas al detalle.

**AL EFECTUAR UN PEDIDO DE PIEZAS,
SIEMPRE**

PROVEA LA SIGUIENTE INFORMACION:

- **PRODUCTO - "REMOVEDORA DE NIEVE"**
- **NUMERO DE MODELO - 536.886120**
- **NUMERO DE MODELO DEL MOTOR -
143.955001**
- **NUMERO DE PIEZA**
- **DESCRIPCION DE LA PIEZA**

"Su mercadería Sears posee valor agregado cuando usted considera que Sears tiene unidades de servicio a nivel nacional con personal técnico capacitado por Sears...Técnicos profesionales capacitados específicamente en productos Sears, tenemos las piezas, las herramientas y el equipo para garantizar que cumplimos con nuestra promesa al cliente...le proporcionamos servicio a lo que vendemos."

SEARS, ROEBUCK AND CO., Hoffman Estates, IL 60179