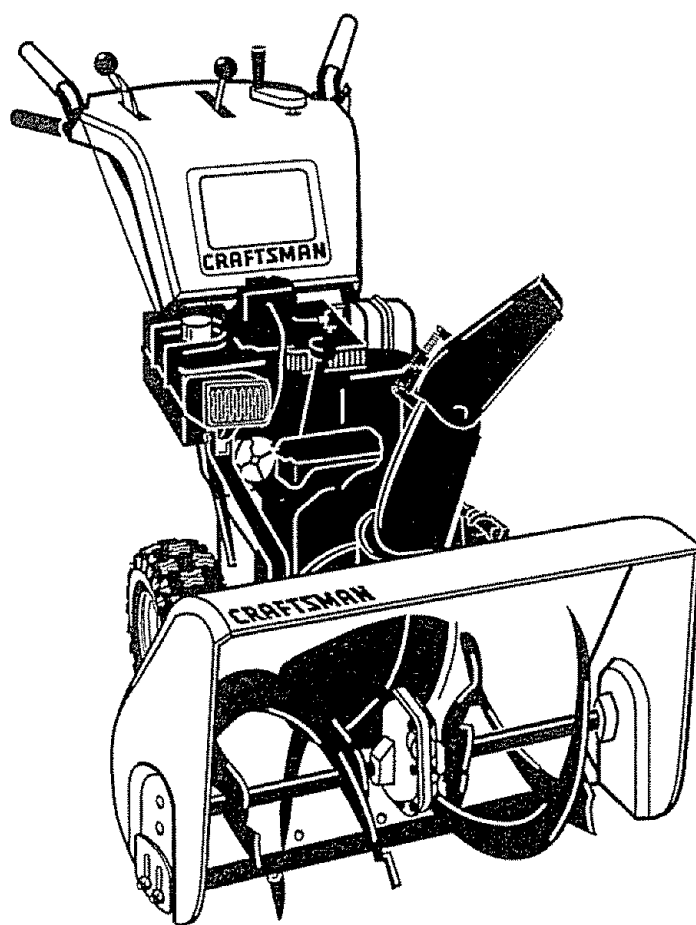


# CRAFTSMAN®

11 Horsepower  
30 Inch Dual Stage  
120V. Electric Start  
SNOWTHROWER

MODEL NO.  
536.886220



**Caution:**  
Read and follow all Safety  
Rules and Operating  
Instructions before first use  
of this product.

SEARS, ROEBUCK AND CO., Hoffman Estates, IL 60179 U.S.A.

761118 11/03/97

SAFETY

ASSEMBLY

OPERATION

MAINTENANCE

PARTS LIST

ESPAÑOL

## TABLE OF CONTENTS

Table of Contents	2	Service and Adjustments	18-23
Warranty	2	Storage	24
Safety Rules	2-4	Troubleshooting	25
Contents of Shipping Carton	4-5	Snow Thrower Repair Parts	26-38
Assembly	5-9	Engine Repair Parts	39-43
Operation	10-14	Spanish(Español)	44-70
Maintenance	15-17	Parts Ordering/Service	Back Cover

## WARRANTY STATEMENT

### LIMITED TWO-YEAR WARRANTY ON CRAFTSMAN SNOW THROWER

For two years from the date of purchase, when this Craftsman Snow Thrower is maintained, lubricated, and tuned up according to the operating and maintenance instructions in the owner's manual, Sears will repair, free of charge, any defect in material or workmanship.

If this Craftsman Snow Thrower is used for commercial or rental purposes, this warranty applies for only 90 days from the date of purchase.

This warranty does not cover the following:

- Items which become worn during normal use, such as spark plugs, drive belts and shear pins.
- Repairs necessary because of operator abuse or negligence, including bent crank shafts and the failure to maintain the equipment according to the instructions contained in the owner's manual.

WARRANTY SERVICE IS AVAILABLE BY RETURNING THE CRAFTSMAN SNOW THROWER TO THE NEAREST SEARS SERVICE CENTER/DEPARTMENT IN THE UNITED STATES. THIS WARRANTY APPLIES ONLY WHILE THIS PRODUCT IS IN USE IN THE UNITED STATES.

This warranty gives you specific legal rights, and you may also have other rights which may vary from state to state.

Sears, Roebuck and Co., D817WA, Hoffman Estates, IL 60179



## SAFETY RULES



Look for this symbol to point out important safety precautions. It means---  
**ATTENTION!!! Become alert!!! Your safety is involved.**



**CAUTION:** Always disconnect spark plug wire and place wire where it cannot contact spark plug to prevent accidental starting when setting-up, transporting, adjusting or making repairs.

**IMPORTANT:** Safety standards require operator presence controls to minimize the risk of injury. Your snow thrower is equipped with such controls. Do not attempt to defeat the function of the operator presence control under any circumstances.

### TRAINING

1. Read the operator's manual carefully. Be thoroughly familiar with the controls and the proper use of the snow thrower. Know how to stop the snow thrower and disengage the controls quickly.
2. Never allow children to operate the snow thrower and keep them away while it is operating. Never allow adults to operate the snow thrower without proper instruction. Do not carry passengers.
3. Keep the area of operation clear of all persons, particularly small children and pets.
4. Exercise caution to avoid slipping or falling, especially when operating in reverse.



### California Proposition 65

**WARNING:** The engine exhaust from this product contains chemicals known to the State of California to cause cancer, birth defects or other reproductive harm.

## PREPARATION

1. Thoroughly inspect the area where the snow thrower is to be used and remove all doormats, sleds, boards, wires and other foreign objects.
2. Disengage all clutches before starting the engine (motor).
3. Do not operate the snow thrower without wearing adequate winter outer garments. Wear footwear that will improve footing on slippery surfaces.
4. Handle fuel with care; it is highly flammable.
  - (a) Use an approved fuel container.
  - (b) Never remove fuel tank cap or add fuel to a running engine or hot engine.
  - (c) Fill fuel tank outdoors with extreme care. Never fill fuel tank indoors.
  - (d) Replace fuel tank cap securely and wipe up spilled fuel.
  - (e) Never store fuel or snow thrower with fuel in the tank inside of a building where fumes may reach an open flame or spark.
  - (f) Check fuel supply before each use, allowing space for expansion as the heat of the engine (motor) and/or sun can cause fuel to expand.
5. Use extension cords and receptacles as specified by the manufacturer for all snow throwers with electric drive motors or electric starting motors.
6. Adjust the snow thrower height to clear gravel or crushed rock surfaces.
7. Never attempt to make any adjustments while the engine (motor) is running (except when specifically recommended by the manufacturer).
8. Let engine (motor) and snow thrower adjust to outdoor temperatures before starting to clear snow.
9. Always wear safety glasses or eye shields during operation or while performing an adjustment or repair to protect eyes from foreign objects that may be thrown from the snow thrower.
4. Exercise extreme caution when operating on or crossing gravel drives, walks, or roads. Stay alert for hidden hazards or traffic.
5. After striking a foreign object, stop the engine (motor), remove the wire from the spark plug, disconnect the cord on electric motors, thoroughly inspect the snow thrower for any damage, and repair the damage before restarting and operating the snow thrower.
6. If the snow thrower should start to vibrate abnormally, stop the (motor) and check immediately for the cause. Vibration is generally a warning of trouble.
7. Stop the engine (motor) whenever you leave the operating position, before unclogging the auger/impeller housing or discharge guide, and when making any repairs, adjustments, or inspections.
8. When cleaning, repairing, or inspecting, make certain the auger/impeller and all moving parts have stopped. Disconnect the spark plug wire and keep the wire away from the plug to prevent accidental starting.
9. Take all possible precautions when leaving the snow thrower unattended. Disengage the auger/impeller, stop engine, and remove key.
10. Do not run the engine indoors, except when starting the engine and for transporting the snow thrower in or out of the building. Open the outside doors; exhaust fumes are dangerous (containing CARBON MONOXIDE, an ODORLESS and DEADLY GAS).
11. Do not clear snow across the face of slopes. Exercise caution when changing direction on slopes. Do not attempt to clear steep slopes.
12. Never operate the snow thrower without proper guards, plates or other safety protective devices in place.
13. Never operate the snow thrower near glass enclosures, automobiles, window wells, drop-offs, and the like without proper adjustment of the snow discharge angle. Keep children and pets away.
14. Do not overload the machine capacity by attempting to clear snow at too fast a rate.
15. Never operate the snow thrower at high transport speeds on slippery surfaces. Look behind and use care when backing.
16. Never direct discharge at bystanders or allow anyone in front of the snow thrower.

## OPERATION

1. Do not operate this machine if you are taking drugs or other medication which can cause drowsiness or affect your ability to operate this machine.
2. Do not use this machine if you are mentally or physically unable to operate this machine safely.
3. Do not put hands or feet near or under rotating parts. Keep clear of the discharge opening at all times.

17. Disengage power to the auger/impeller when snow thrower is transported or not in use.
18. Use only attachments and accessories approved by the manufacturer of the snow thrower (such as tire chains, electric start kits, etc).
19. Never operate the snow thrower without good visibility or light. Always be sure of your footing, and keep a firm hold on the handles. Walk; never run.

### MAINTENANCE AND STORAGE

1. Check shear bolts and other bolts frequently for proper tightness to be sure the snow thrower is in safe working condition.
2. Never store the snow thrower with fuel in the fuel tank inside a building where ignition sources are present such as hot water and space heaters, clothes dryers, and the like. Allow the engine to cool before storing in any enclosure.
3. Always refer to operator's manual instructions for important details if the snow thrower is to be stored for an extended period.

4. Maintain or replace safety and instruction labels, as necessary.
5. Run the snow thrower a few minutes after throwing snow to prevent freeze-up of the auger/impeller.

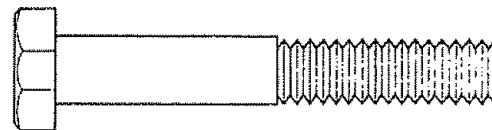
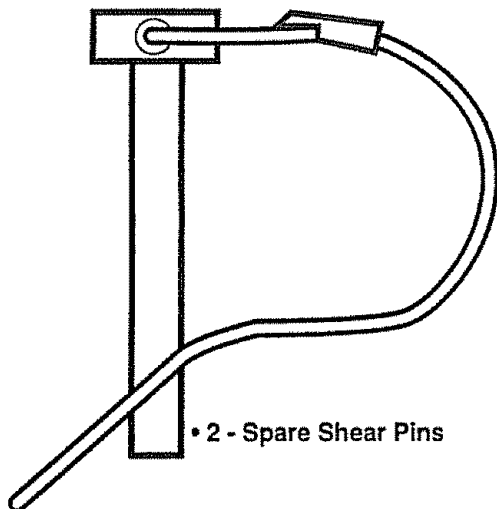
**⚠ WARNING:** This snow thrower is for use on sidewalks, driveways and other ground level surfaces.

Caution should be exercised while using on steep sloping surfaces. **DO NOT USE SNOW THROWER ON SURFACES ABOVE GROUND LEVEL** such as roofs of residences, garages, porches or other such structures or buildings.

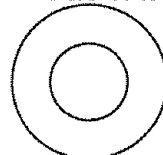


### Contents of Parts Bag

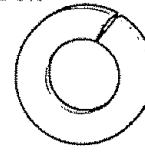
- 1 - Owner's Manual (not shown)
- 2 - Parts Bags (not shown)
- Non Assembly parts are found in toolbox located on top of belt cover.



2-3/8-16 x 2 In. Hex Head Bolt



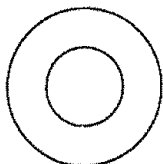
2 - 3/8 In. Flatwashers



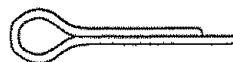
2 - 3/8 In. Lockwasher



\*2 - Spare Spacers



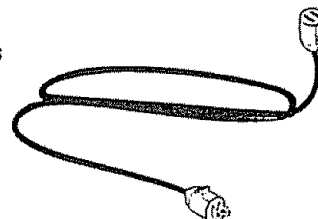
1 - 11/32 Inch Flat washer



1 - Cotter Pin



2- 3/8 In. Hex Nut



1 - Starter Motor Cord

parts packed separately in carton (not shown full size)



- Ignition Keys  
(Attached to engine in plastic bag)



1 - container 5W30 oil



- Mid-Crank Rod



1 - Speed Control Rod

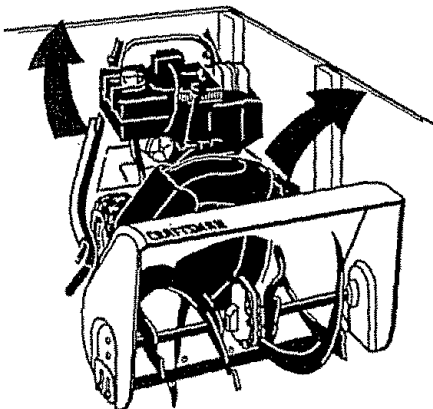
## ASSEMBLY

**CAUTION:** Always wear safety glasses or eye shields while assembling snow thrower.

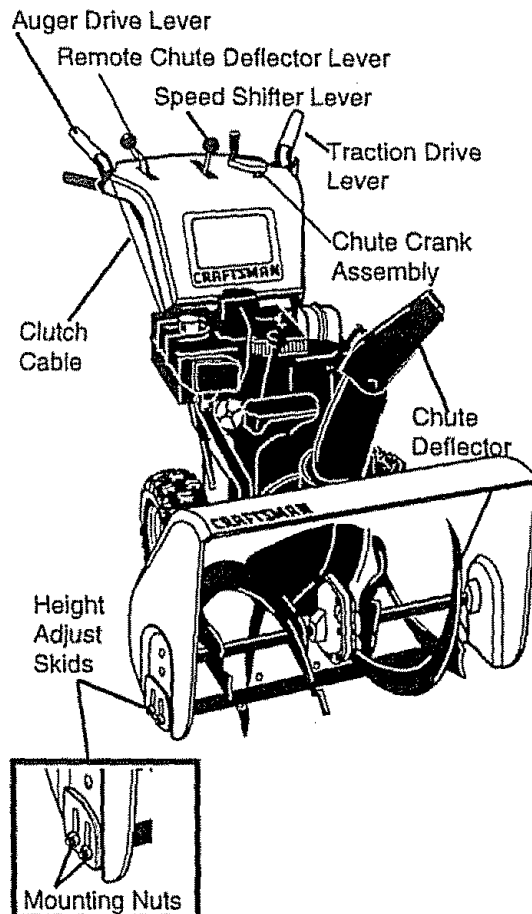
### TOOLS REQUIRED FOR ASSEMBLY

- 1 - Knife to cut carton and plastic ties
- 2 - 1/2 inch wrenches (or adjustable wrenches)
- 2 - 9/16 inch wrenches (or adjustable wrenches)
- 1 - Pliers (to spread cotter pin)
- 1 - Screwdriver
- 1 - Air pressure gauge
- 1 - Measuring tape or ruler

The figure below shows the snow thrower in the shipping carton.



The figure below shows the snow thrower completely assembled. References to the right or left hand side of the snow thrower are from the viewpoint of the operator's position behind the unit.

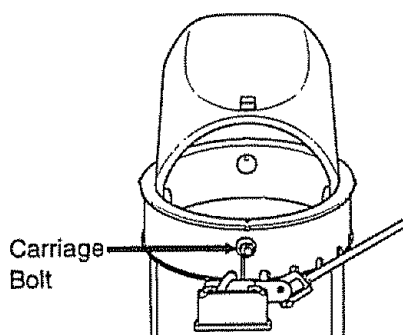


## HOW TO SET UP YOUR SNOW THROWER

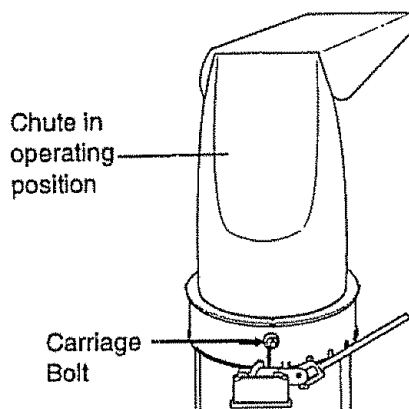
- Locate and remove container of 5W30 oil and parts bag found in parts box.
- Remove top pallet from carton.
- Cut and discard the plastic ties securing the mid-chute rod and speed control rod to the pallet, place them aside. Discard pallet.
- Cut all four corners of the carton from top to bottom and lay the panels flat.
- Cut the bands holding the snow thrower to the lower pallet.

### ASSEMBLE SNOW CHUTE

- Remove back carriage bolt, see figure below.



- Tilt chute back into operating position. See figure below.



- Replace carriage bolt.
- Tighten carriage bolt securely. **NOTE:** Check all bolts in chute ring for tightness.
- Remove and discard packaging used to protect chute.

**NOTE:** DO NOT cut tie strap on chute deflector at this time. See second figure on next page.

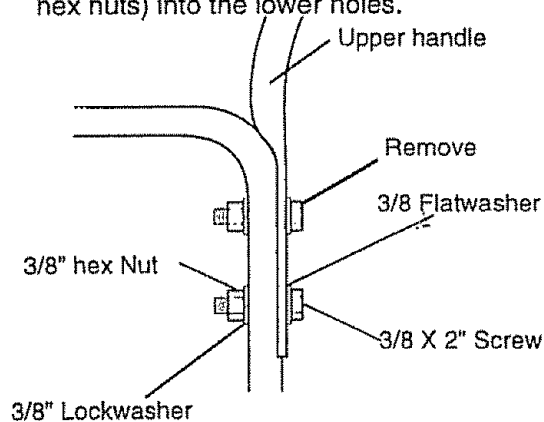
### INSTALL THE UPPER HANDLE

- Cut ties securing the clutch control cables and remote chute control cable to the lower handle. Lay cable away from handles.
- Remove the bolts securing the upper handles to the lower handles. See figure below. **NOTE:** Discard white plastic washer used for shipping purposes on the right side.
- Remove upper handle assembly and place it into operating position. Upper handle should be on the outside of the lower handle.

**NOTE:** Unless you have the assistance of another person, it may be easier to install one side of the handle at a time.


**NOTE:** Make sure the cables are not caught between the upper and lower handle.

- Replace the bolts, flatwasher, lockwasher, and hex nuts removed earlier into the top holes. Do not tighten.
- Install hardware supplied in parts bag (screws, flatwashers, lockwashers, and hex nuts) into the lower holes.

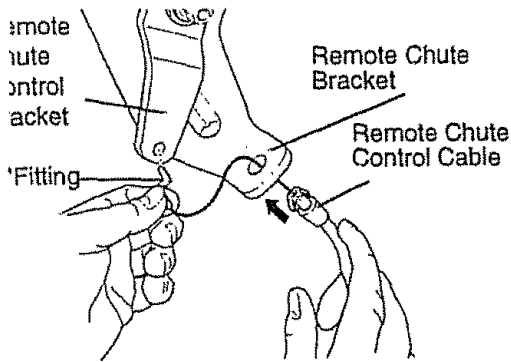


- Tighten all four bolts.
- Replace protective caps onto screws in upper holes.


### CONNECT REMOTE CHUTE

- Push remote chute control lever into "Chute Deflector Up"  position.
- Feed "Z" fitting through hole in remote chute bracket as shown in first figure on next page.
- Snap remote chute control cable into remote chute bracket, see next figure.

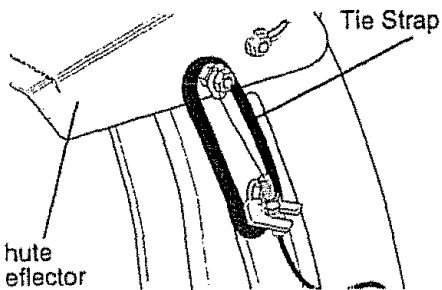
Connect "Z" fitting into remote chute control bracket as shown in figure below.



Push remote chute control lever into

"Chute Deflector Down"  position.

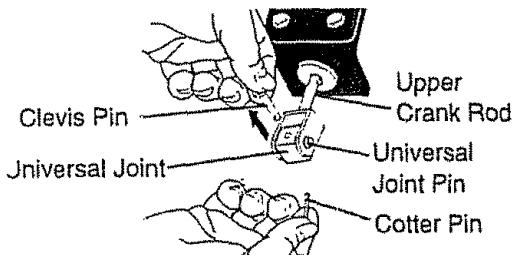
Cut tie strap on chute deflector as shown in figure below.



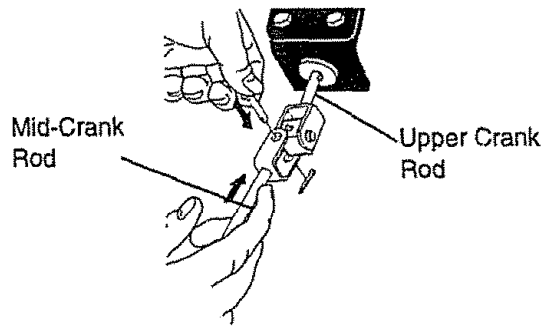
**INSTALL MID-CHUTE ROD**  
(set aside earlier)

Carefully remove cotter pin and clevis pin from universal joint in the upper crank rod as shown in next figure.

**NOTE:** If this removes the universal joint and universal joint pin. Place universal joint into yoke of upper crank rod lining up large holes. Insert universal joint pin (ensure opening in universal joint pin is in line with small openings in universal joint).

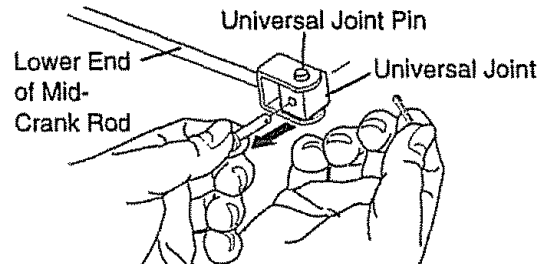


- Place yoke of open end of mid-crank rod around universal joint in upper crank rod. Insert clevis pin through assembly and secure with cotter pin. Spread ends of cotter pin to lock in place. See figure below.

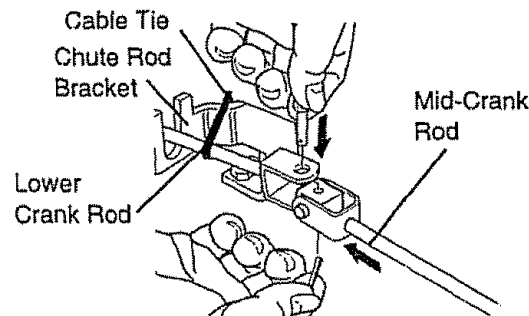


- Cut tie securing the lower crank rod to the chute rod bracket. See second figure below.
- Carefully remove cotter pin and clevis pin from universal joint in lower end of mid-crank rod as shown in figure below.

**NOTE:** If this removes the universal joint and universal joint pin. Place universal joint into yoke of upper crank rod lining up large holes. Insert universal joint pin (ensure opening in universal joint pin is in line with small openings in universal joint).



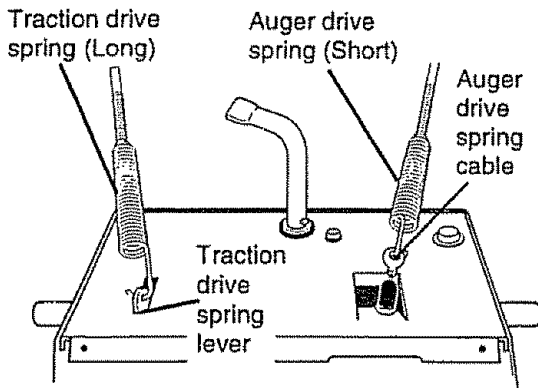
- Slide universal joint in mid-crank rod into yoke of lower crank rod. Insert clevis pin through assembly and secure with cotter pin. Spread ends of cotter pin to lock in place. See next figure.



## CONNECT CONTROL CABLES

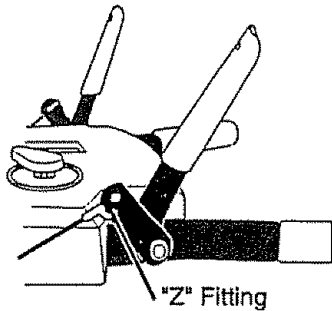
- Remove wrap from upper handle which was used to protect clutch levers.

**NOTE:** If control cables have become unattached from motor mount frame, reconnect cables as shown below.



- Connect control cables to control lever as shown in figure below.

**NOTE:** The control cables attached to the auger clutch lever and traction clutch lever may need to be adjusted before you use your snow thrower.



For instructions on checking or adjusting the control cables, (See To Adjust Clutch Control Cables paragraph on page 19).

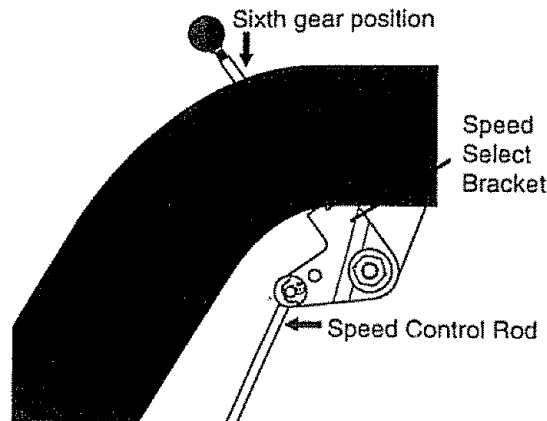
- Roll the snow thrower off the skid by pulling on the handle.
- Properly dispose of discarded packing.

## INSTALL SHIFTER ROD

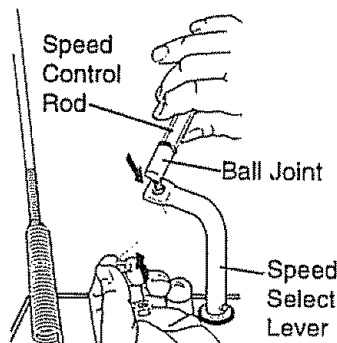
(set aside earlier)

- Place speed shifter lever into sixth gear position.
- Insert speed control rod (the end with the 90° bend) into the speed select bracket lower hole, see next figure.
- Attach speed control rod to the speed select bracket with one flatwasher and one cotter pin found in parts bag, see next figure.

View from the left side of unit

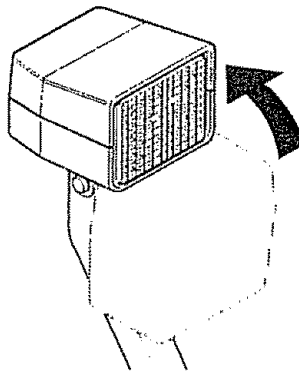


- Move speed shifter lever into R1 position.
- Remove lockwasher and nut from ball joint, see next figure.
- Attach ball joint to speed select lever with lockwasher and nut, then tighten. See figure below. The speed control rod and ball joint have been preadjusted at the factory and should not require readjustment.



## HEADLIGHT

- Rotate headlight into operating position as shown in figure below.





## ✓ CHECKLIST

Before you operate your new snow thrower, to ensure that you receive the best performance and satisfaction from this quality product, please review the following checklist:

- ✓ All assembly instructions have been completed.
- ✓ The discharge chute rotates freely.
- ✓ No remaining loose parts in carton.

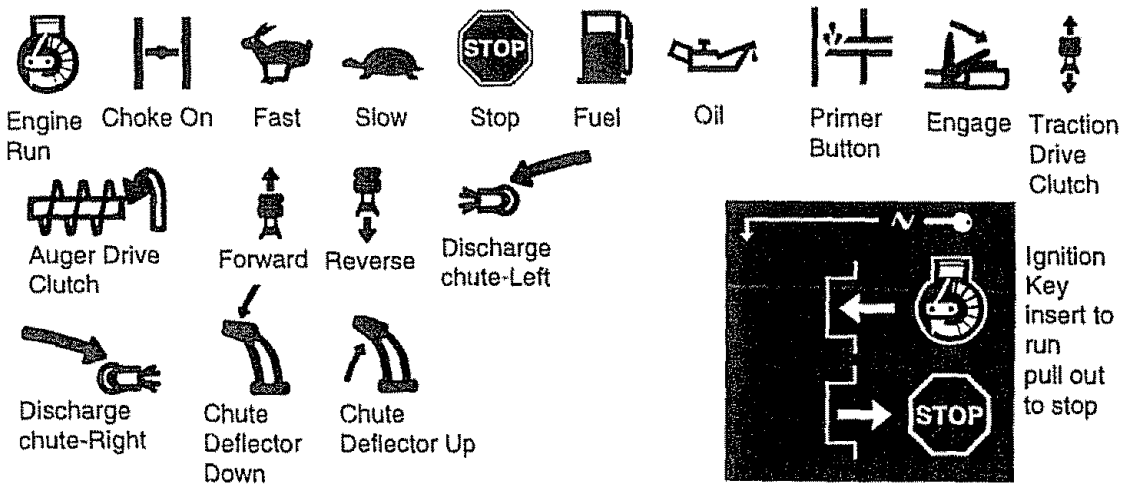
While learning how to use your snow thrower, pay extra attention to the following important items:

- ✓✓ Engine oil is at proper level.
- ✓✓ Make sure gas tank is filled properly with clean, fresh, unleaded gasoline.
- ✓✓ Become familiar with all controls-their location and function. Operate controls before starting engine.

## OPERATION

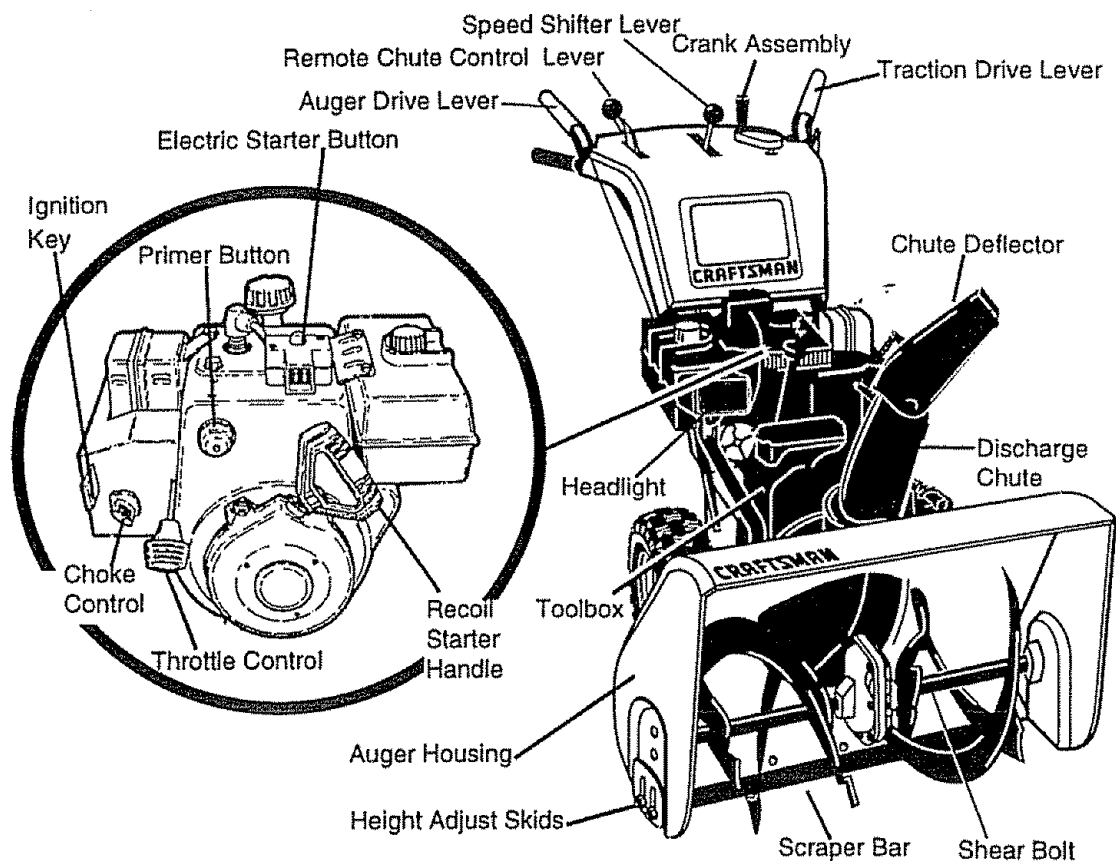
### KNOW YOUR SNOW THROWER

READ THIS OWNER'S MANUAL AND SAFETY RULES **BEFORE** OPERATING YOUR SNOW THROWER. Compare the illustrations with your SNOW THROWER to familiarize yourself with the location of various controls and adjustments. Save this manual for future reference.



The operation of any snow thrower can result in foreign objects being thrown into the eyes, which can result in severe eye damage. Always wear safety glasses or eye shields while operating the snow thrower.

We recommend standard safety glasses or a wide vision safety mask for over your glasses, available at **Sears** Retail Stores or Service Centers.



**Auger Drive Lever** – Starts and stops the auger and impeller (snow gathering and throwing).

**Traction Drive Lever** – Propels the snow thrower forward and in reverse.

**Headlight** – Turns on whenever engine is running.

**Speed Shifter Lever** – Selects the speed of snow thrower (6 speeds forward and 2 speeds reverse).

**Crank Assembly** – Changes the direction of snow throwing through the discharge chute.

**Chute Deflector** – Changes the distance the snow is thrown.

**Discharge Chute** – Changes the direction the snow is thrown.

**Choke Control** – Used to start a cold engine.

**Height Adjust Skids** – Adjusts the ground clearance of the auger housing.

**Ignition Key** – Must be inserted to start the engine.

**Primer Button** – Injects fuel directly into the carburetor manifold for fast starts in cold weather.

**Recoil Starter Handle** – Starts the engine manually.

**Throttle Control** – Controls the engine speed.

**Electric Starter Button** – Used to start the engine using the 120 V. electric starter.

**Remote Chute Control Lever** - Push forward to discharge snow high and far. Pull remote lever back to discharge snow down.

**Shear Bolts** - Are special bolts that are designed to break (to protect the machine) if an object becomes lodged in the auger housing. Use of a harder bolt will destroy the protection provided by the shear bolt.

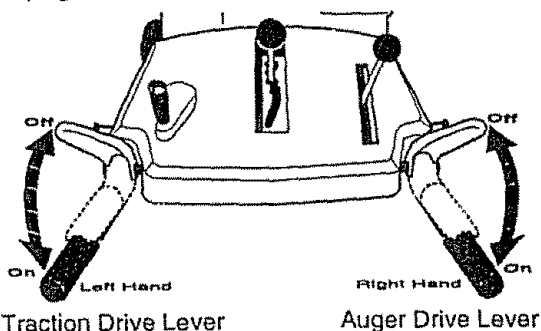
**Toolbox** - Spare shear pins and spacers are located in toolbox.

**⚠ CAUTION:** Read owner's manual before operating machine. Never direct discharge toward bystanders. Release the auger control bar and stop the engine before unclogging discharge chute or auger housing and before leaving the machine.

## HOW TO USE YOUR SNOW THROWER

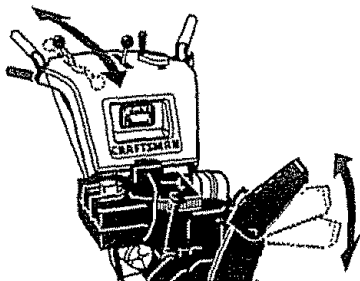
### TO STOP YOUR SNOW THROWER

- To stop throwing snow, release the auger drive lever (see figure below).
- To stop the wheels, release the traction drive lever.
- To stop the engine, push the throttle control lever to off and pull out (DO NOT TURN) the ignition key, see figure on page 10.



### TO CONTROL SNOW DISCHARGE

- Turn the crank assembly to set the direction of the snow throwing.
- Adjust snow chute deflector to set the distance. Push remote lever forward to discharge snow down. Pull remote lever back to discharge snow high and far. See figure below.



### TO MOVE FORWARD AND BACKWARD

- To shift, release the traction drive lever and move the speed shifter lever to the speed you desire. Ground speed is determined by snow conditions. Select the speed you desire by moving the speed shifter lever into the appropriate area on the control panel.

Speeds 1, 2 - Wet, Heavy, Extra Deep

Speed 3 - Light

Speed 4 - Very Light

Speeds 5, 6 - Transport only

- Engage the traction drive lever as shown in first figure on this page, left hand. As the snow thrower starts to move, maintain a firm hold on the handles, and guide the snow thrower along the clearing path. Do not attempt to push the snow thrower.
- To move the snow thrower backward, move the speed shifter lever into first or second reverse and engage the traction drive lever (left hand).

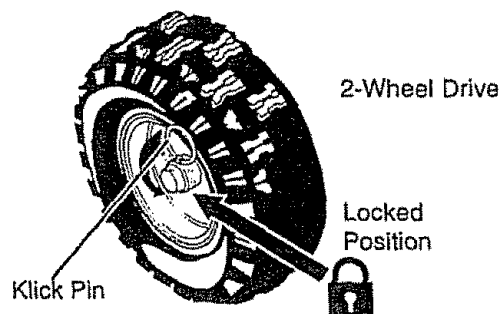
**IMPORTANT:** Never move the speed shifter lever while the traction lever is down.

### TO THROW SNOW

- Push down the auger drive lever, see first figure on this page.
- Release to stop throwing snow.

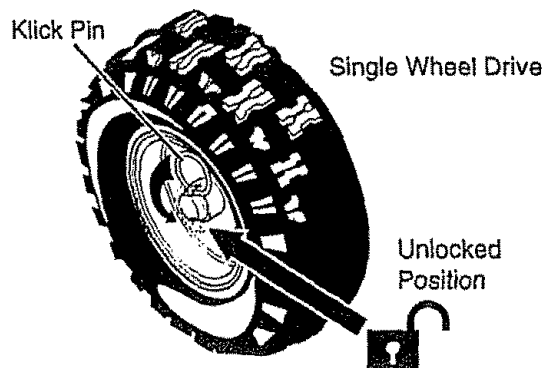
### TO USE WHEEL LOCKOUT PIN

- The left hand wheel is secured to the axle with a klick pin, see figure below. This unit was shipped with this klick pin in the locked position (klick pin through hole in wheel).



- For ease of maneuverability in light snow conditions, disconnect the klick pin from the wheel locked position and push into the single wheel drive position (klick pin through axle hole only), see next figure.

**NOTE:** Make sure that the klick pin is in the single wheel drive position, through axle only and not through the hole in wheel.



## BEFORE STARTING THE ENGINE

- If the snow thrower must be moved without the aid of the engine, it is easier to pull the snow thrower by the handles rather than pushing.
- Before you service or start the engine, familiarize yourself with the snow thrower. Be sure you understand the function and location of all controls.

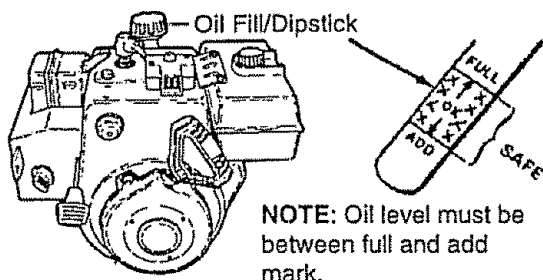
**NOTE:** Check tension of clutch cables before starting the engine (See To Adjust The Control Cables paragraph on page 19).

- Be sure that all fasteners are tight.
- Make sure the height adjust skids are properly adjusted (See To Adjust Skid Height paragraph on page 18).
- Check tire pressure (**14 pounds**). See side of tire for maximum inflation. Do not exceed listed maximum pressure.

## FILL OIL

**NOTE:** Engine may already contain some residual oil. Check frequently when filling the crankcase. Do not over fill.

This snow thrower was shipped with a container of 5W30 motor oil. This oil must be added to the engine before operating. Remove the oil fill cap/dipstick and fill the crankcase to (FULL) line on dipstick (26 ounces) (see figure below).



Tighten the fill cap/dipstick securely each time you check the oil level.

## FILL GAS

**NOTICE:** ENGINES WHICH ARE CERTIFIED TO COMPLY WITH CALIFORNIA AND US EPA EMISSION REGULATIONS FOR ULGE ENGINES: Are certified to operate on regular unleaded gasoline. Include the following emission control system(s): EM, TWC (if so equipped). Include any user adjustable features - therefore no other adjustments are needed.

**WARNING:** Experience indicates that alcohol blended fuels (called gasohol or those using ethanol or methanol) can attract moisture which leads to separation and formation of acids during storage. Acidic gas can damage the fuel system of an engine while in storage.

To avoid engine problems, the fuel system should be emptied before storage for 30 days or longer. Start the engine and let it run until the fuel lines and carburetor are empty. Use the carburetor bowl drain to empty residual gasoline from the float chamber. Use fresh fuel next season (See Storage instructions on page 23 and 24 for additional information).

For extreme cold operating conditions of 0°F and below, use a partial synthetic 0W30 motor oil for easier starting.

Never use engine or carburetor cleaner products in the fuel tank or permanent damage may occur.

Fill the fuel tank with a fresh, clean, unleaded regular, unleaded premium, or reformulated automotive gasoline only. DO NOT use leaded gasoline. Be sure that the container you pour the gasoline from is clean and free from rust or other foreign particles. Never use gasoline that may be stale from long periods of storage in the container.

**CAUTION:** Gasoline is flammable and caution must be used when handling or storing it.

Do not fill fuel tank while snow thrower is running, when it is hot, or when snow thrower is in an enclosed area.

Keep away from open flame or an electrical spark and **DO NOT SMOKE** while filling the fuel tank.


Never fill the tank completely. Fill the tank to within 1/4" - 1/2" from the top to provide space for expansion of fuel.

Always fill fuel tank outdoors and use a funnel or spout to prevent spilling.

Make sure to wipe up any spilled fuel before starting the engine.

Store gasoline in a clean, approved container and keep the cap in place on the container.

## TO STOP ENGINE

- To stop engine, move the throttle control lever to  (STOP) position and remove key. Keep the key in a safe place. The engine will not start without the key.


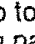
**NOTE:** DO NOT turn key.

## ▶ START ENGINE (Electric Starter)

Be sure that the engine has sufficient oil. The snow thrower engine is equipped with a 120 volt A.C. electric starter and recoil starter. Before starting the engine, be certain that you have read the following information:

**▲ CAUTION:** This starter is equipped with a three-wire power cord and plug and is designed to operate on 120 volt AC household current. It must be properly grounded at all times to avoid the possibility of electrical shock which may be injurious to operator. Follow all instructions carefully as set forth in the "To Start Engine" section. Determine that your house wiring is a three-wire grounded system. Ask a licensed electrician if you are not sure. If your house wiring system is not a three-wire system, do not use this electric starter under any conditions. If your system is grounded and a three-hole receptacle is not available at the point your starter will normally be used, one should be installed by a licensed electrician. When connecting 120 volt AC power cord, always connect the cord to the switch box on the engine first, then plug the other end into the three-hole grounded receptacle. When disconnecting power cord, always unplug the end in the three-hole grounded receptacle first.


### COLD START

- Be sure the auger drive and traction drive levers are in the disengaged (released) position.
- Move the throttle control to  (FAST) position. See figure on page 10.
- Remove the keys from the plastic bag. Insert one key into the ignition slot. Be sure it snaps into place. **DO NOT TURN KEY.** Keep the second key in a safe place.
- Rotate the choke knob to  choke ON position. See figure on page 10.
- Connect the power cord to the switch box on the engine.
- Plug the other end of the power cord into a three-hole, grounded 120 volt A.C. receptacle.
- Push the primer button while covering the vent hole as follows: (Remove finger from primer button between primes). See figure on page 10 for location.  
Do not prime if temperature is above 50°F.  
Two times if temperature is 50°F to 15°F.

Four times if temperature is below 15°F.

- Push down on the starter button until the engine starts. Do not crank for more than 10 seconds at a time. This electric starter is thermally protected. If overheated it will stop automatically and can be restarted only when it has cooled to a safe temperature (a wait of about 5 to 10 minutes is required).
- When the engine starts, release the starter button and move choke lever to "1/2 choke" position. When engine runs smoothly, move choke lever to "No Choke" Position.
- Disconnect the power cord from the receptacle first and then from the switch box on engine.



**NOTE:** Allow the engine to warm up for several minutes before blowing snow in temperatures below 0°F.

- Run the engine at full throttle  (FAST) when throwing snow.

## ▶ START ENGINE (Recoil Starter)


Be sure that the engine has sufficient oil. The snow thrower engine is equipped with a recoil starter. Before starting the engine, be certain that you have read the following information:

### COLD START

- Be sure the auger drive and traction drive levers are in the disengaged (released) position.
- Move the throttle control to  (FAST) position. See figure on page 10 for location.
- Remove the keys from the plastic bag. Insert one key into the ignition slot. Be sure it snaps into place. **DO NOT TURN KEY.** Keep the second key in a safe place.
- Rotate the choke knob to  choke ON position. See figure on page 10.
- Push the primer button, see figure on page 10, while covering the vent hole as follows: (Remove finger from primer button between primes).  
Do not prime if temperature is above 50°F.  
Two times if temperature is 50°F to 15°F.  
Four times if temperature is below 15°F.
- Pull the recoil starter handle rapidly. Do not allow the handle to snap back, but allow it to rewind slowly while keeping a firm hold on the starter handle.

- As engine starts warms up move choke lever to "1/2 choke" position. When engine runs smoothly, move choke lever to "No Choke" Position

**NOTE:** Allow the engine to warm up for several minutes before blowing snow in temperatures below 0°F.

- Run the engine at full throttle  (FAST) when throwing snow.

## WARM START

If restarting a warm engine after a short shutdown, leave choke at (OFF) and do not push the primer button. If the engine fails to start, follow the Cold Start instructions above.

## FROZEN RECOIL STARTER


If the starter is frozen and will not turn engine:

- Pull as much rope out of the starter as possible.
- Release the starter handle and let it snap back against the starter.

If the starter still fails to turn engine, repeat the two previous steps until the starter engages. Then continue with the directions for cold start.


To help prevent possible freeze-up of recoil starter and engine controls, proceed as follows after each snow removal job.

- **With the engine running**, pull the starter rope hard with a continuous full arm stroke three or four times. Pulling of starter rope will produce a loud clattering sound. This is not harmful to the engine or starter.
- **With the engine not running**, wipe all snow and moisture from the carburetor cover in area of control levers. Also move throttle control, choke control, and starter handle several times.

 **CAUTION:** Never run engine indoors or in enclosed, poorly ventilated areas. Engine exhaust contains carbon monoxide, an odorless and deadly gas. Keep hands, feet, hair and loose clothing away from any moving parts on engine and snow thrower.

**WARNING:** Temperature of muffler and nearby areas may exceed 150° F. Avoid these areas.

**DO NOT** allow children or young teenagers to operate or be near snow thrower while it is operating.

 **CAUTION:** Do not attempt to remove any item that may become lodged in auger without taking the following precautions:

- Release auger drive and traction drive levers.
- Move throttle lever to stop position.
- Remove (**DO NOT TURN**) ignition key.
- Disconnect spark plug wire.
- Do not place your hands in the auger or discharge chute. Use a pry bar.

## SNOW THROWING TIPS

- For maximum snow thrower efficiency in removing snow, adjust ground speed, **NEVER** the throttle. Go slower in deep, freezing, or wet snow. If the wheels slip, reduce forward speed. The engine is designed to deliver maximum performance at full throttle and should be run at this power setting at all times. Most efficient snow blowing is accomplished when the snow is removed immediately after it falls.
- For complete snow removal, slightly overlap each path previously taken. Use more overlap in deep snow to prevent overloading.
- The snow should be discharged down wind whenever possible. In windy conditions, lower the chute deflector to direct discharged snow close to the ground, where it is less likely to blow into unwanted areas.
- For normal usage, set the skids so that the scraper bar is 1/8" above the skids. For extremely hard-packed snow surfaces, adjust the skids upward so that the scraper bar touches the ground.
- On gravel or crushed rock surfaces, set the skids at 1-1/4" below the scraper bar (See To Adjust Skids Height paragraph on page 18). Stones and gravel must not be picked up and thrown by the machine.
- After the snow throwing job has been completed, allow the engine to idle for a few minutes, which will melt snow and accumulated ice off the engine.
- Clean the snow thrower thoroughly after each use.
- Remove ice and snow accumulation and all debris from the entire snow thrower, and flush with water (if possible) to remove all salt or other chemicals. Wipe snow thrower dry.

# MAINTENANCE

## CUSTOMER RESPONSIBILITIES

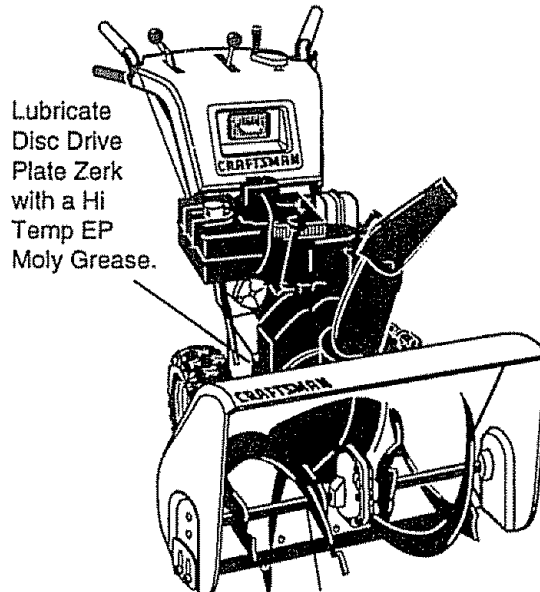
SERVICE RECORDS  Fill in dates as you complete regular service	SCHEDULE								SERVICE DATES			
	After first 2 Hours	Before Each Use	As Needed	Every 5 Hours	Every 10 Hours	Every 25 Hours	Each Season	Before Storage				
Tighten All Screws & Nuts			✓									
Lubricate Pivot Points					✓			✓				
Lubricate Auger Shaft (See Shear Bolt Replacement)					✓			✓				
Lubricate Disc Drive Plate Zerk						✓		✓				
Check Spark Plug						✓	✓					
Check Engine Oil Level		✓		✓			✓					
Change Engine Oil	✓					✓	✓					
Check Fuel		✓										
Drain Fuel								✓				
Check Auger Clutch Cable Adjustment (See Cable Adj)	✓						✓					
Check Traction Clutch Cable Adjustment (See Cable Adj)	✓						✓					
Check Drive Belts	✓					✓	✓					

## PRODUCT SPECIFICATIONS

HORSE POWER:	11 HP
DISPLACEMENT:	21.82 cu. in.
GASOLINE CAPACITY:	4 quart (unleaded)
OIL (26 oz. Capacity) :	5W-30
SPARK PLUG:	Champion RJ19LM (Gap .030) or Equivalent
VALVE CLEARANCE:	Intake: 0.10 in. Exhaust: .010 in.

Some adjustments will need to be made periodically to properly maintain your snow thrower.

## LUBRICATION CHART



## GENERAL RECOMMENDATIONS

The warranty on this snow thrower does not cover items that have been subjected to operator abuse or negligence. To receive full value from the warranty, the operator must maintain the snow thrower as instructed in this manual. The above chart is provided to assist the operator in properly maintaining the snow thrower.

Lubricate the Auger Shaft. Coat with a clinging type grease such as Lubriplate or fiber impregnated grease.

## SNOW THROWER AFTER FIRST USE

- Check for any loose or damaged parts after each use.
- Tighten any loose fasteners.
- Check and maintain the auger.

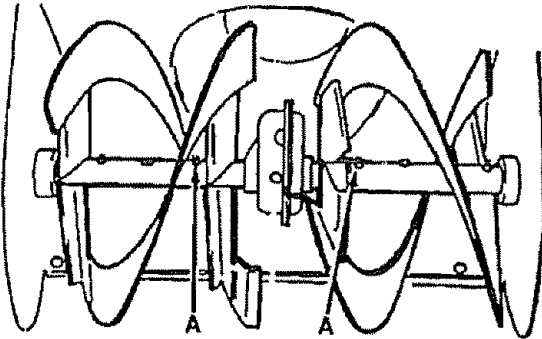
## AFTER EACH USE

- Remove all snow and slush off the snow thrower to prevent freezing of auger or controls.
- Check controls to make sure they are functioning properly.
- If any parts are worn or damaged, replace immediately.

## SNOW THROWER

### LUBRICATION - EVERY 10 HOURS

- Auger Shaft – Using a hand grease gun, lubricate the auger shaft zerk fittings (See figure below) every ten (10) operating hours. Each time a shear bolt is replaced (See To Replace Auger Shear Bolt on page 22), the auger shaft **MUST** be greased.



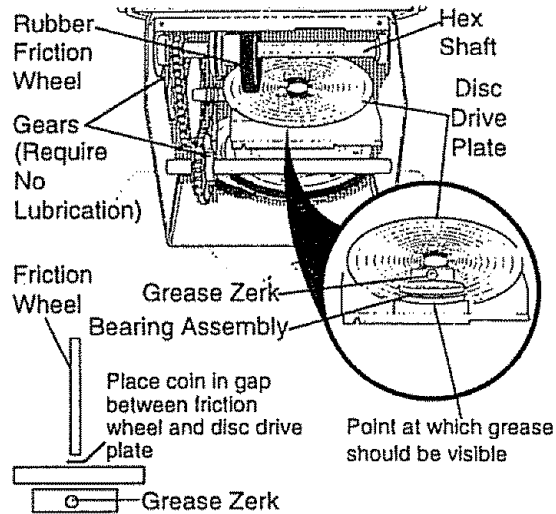
- For storage or when replacing shear bolts, remove shear bolts and lubricate auger shaft zerks. Rotate augers several times on the shaft and reinstall the shear bolts.
- See Lubrication Chart diagram on page 15 for lubrication points and type of lubricant.

### LUBRICATION - EVERY 25 HOURS

- Lubricate Disc Drive Plate every twenty-five (25) hours and at the end of the season and/or before storage.

#### To Lubricate:

- Position speed selector lever in first gear.
- Stand the snow thrower up on the auger housing end.



- Remove the bottom panel (see second figure on page 21).
- Turn disc drive plate clockwise by hand until grease zerk is clearly visible at front center. See next figure.
- Place a coin or (a shim of equal thickness) between the rubber friction wheel and disc drive plate to prevent rubber friction wheel contacting the drive disc.
- To grease zerk, use a hand grease gun, lubricate with a Hi Temp EP Moly grease See inset of figure above. **DO NOT** over fill or allow grease to come in contact with the disc drive plate or friction wheel or damage will result. Fill zerk only until grease becomes visible below bearing assembly located under grease zerk see insert above.

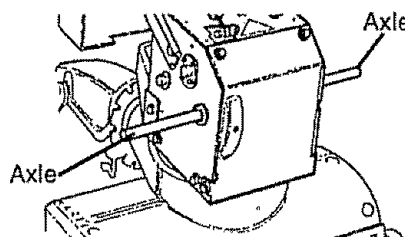
**IMPORTANT:** Remove coin and ensure that a gap exists between friction wheel and disc drive plate.

**NOTE:** Clean all excess grease found on friction disc hub.

**CAUTION:** Do not allow grease to contact friction wheel and disc drive plate.

### LUBRICATION - BEFORE STORAGE

- Remove both wheels, grease (any automotive type grease) both axles, see figure below, and replace wheels. Do this at least once a year and/or prior to storage.





## LUBRICATION

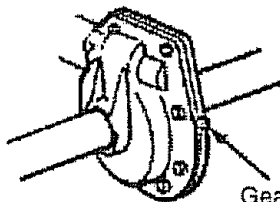
Hex Shaft and Gears - Hex shaft and gears require no lubrication. All bearings and bushings are lifetime lubricated and require no maintenance.

**NOTE:** Any greasing or oiling of the above components can cause contamination of the friction wheel. If the disc drive plate or friction wheel comes in contact with grease or oil, damage to the friction wheel will result.

Should grease or oil come in contact with the disc drive plate or friction wheel, be sure to clean the plate and wheel thoroughly.

**NOTE:** For storage, the hex shaft and gears should be wiped with 5W-30 motor oil to prevent rusting. See first figure on this page.

- Auger Gear Box - The auger gear box is lubricated at the factory and should not require additional lubrication. If for some reason the lubricant should leak out, or if the auger gear box has been serviced, add Lubriplate No. 630-AA or equivalent. Maximum 3-1/4 ounces should be used. Remove filler plug as seen in figure below once a year. If grease is visible, do not add. If grease is not visible, use a piece of fine wire like a dipstick, to check if there is grease in the gearbox. Add grease if necessary. Reinstall gear box filler.

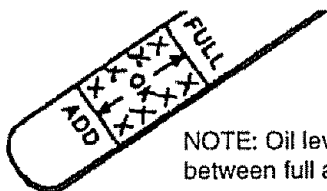


Gear Box Filler Plug

## ENGINE

### LUBRICATION

Check the crankcase oil level (see figure below) before starting the engine and after each five (5) hours of continuous use. Add S.A.E. 5W30 motor oil as needed. Tighten fill cap/dipstick securely each time you check the oil level.



**NOTE:** Oil level must be between full and add mark

## OIL RECOMMENDATION

Only use high quality detergent oil rated with API service classification SG. Select the oil's viscosity grade according to your expected operating temperature:

**NOTE:** For extreme cold operating conditions of 0° and below, use a partial synthetic 0W30 motor oil for easier starting.

Change the oil every twenty-five (25) hours thereafter, and at the beginning of each season.

- Position the snow thrower so that the oil drain plug is at the lowest point on the engine. Remove the oil drain plug and the oil fill cap/dipstick. Drain the oil into a suitable container. Oil will drain more freely when warm.
- Replace the oil drain plug and tighten securely.

### SPARK PLUG

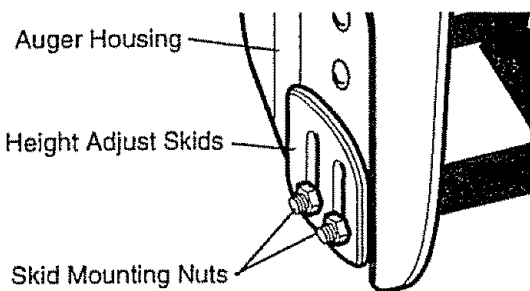
- Make sure that the spark plug is tightened securely into the engine and the spark plug wire is attached to the spark plug.
- If a torque wrench is available, torque plug to 18 to 23 foot pounds.
- Clean the area around the spark plug base before removal to prevent dirt from entering the engine.
- Clean the spark plug and reset the gap periodically at .030 inch.

## SERVICE AND ADJUSTMENTS

**⚠ CAUTION:** Always disconnect the spark plug wire and tie back away from the plug before making any adjustments or repairs.

### TO ADJUST SKID HEIGHT

This snow thrower is equipped with two height adjustment skids, located on the outside of the auger housing (see figure below). These skids elevate the front of the snow thrower.



For normal hard surfaces, adjust the skids as follows:

- Check tire pressure (14 pounds). See side of tire for maximum inflation. Do not exceed maximum pressure on side of tire.
- Place the extra shear bolts supplied (found in parts bag) under each end of the scraper bar near but not under the skid.
- Loosen the skid mounting nuts (see figure above) and adjust the skids up to bring the front of the snow thrower down.
- Re-tighten the mounting nuts.
- Set the skid on the other side at the same height.

For rocky or uneven surfaces, adjust the skids as follows:

- Raise the front of the snow thrower by moving the skids down. This will help prevent rocks and other debris from being picked up and thrown by the auger.

**NOTE:** Be sure that snow thrower is set at same height on both sides.

### TO ADJUST SCRAPER BAR

After considerable use, the metal scraper bar will have a definite wear pattern. The scraper bar in conjunction with the skids should always be adjusted to allow 1/8" between the scraper bar and the sidewalk or area to be cleaned. The scraper bar may have to be returned to its original lower setting to maintain the original performance level. To adjust:

- Position the snow thrower on a level surface.
- Make sure both tires are equally inflated.
- Loosen the carriage bolts and nuts securing the scraper bar to the auger housing.
- Adjust the scraper bar to the proper position.
- Tighten the carriage bolts and nuts, making sure that the scraper bar is parallel with the working surface.
- For extended operation, the scraper bar may be reversed. If the scraper bar must be replaced due to wear, remove the carriage bolts and nuts and install a new scraper bar.

**⚠ CAUTION:** Be certain to maintain proper ground clearance for your particular area to be cleared. Objects such as gravel, rocks or other debris, if struck by the impeller, may be thrown with sufficient force to cause personal injury, property damage or damage to the snow thrower.

NOTES

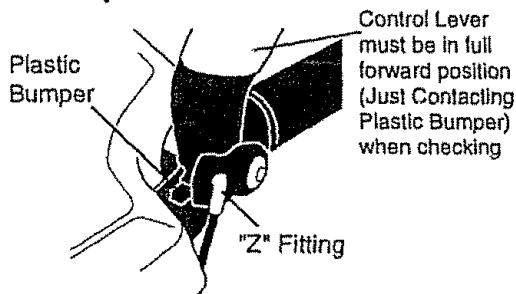
Pa.  
19:20

MISSING

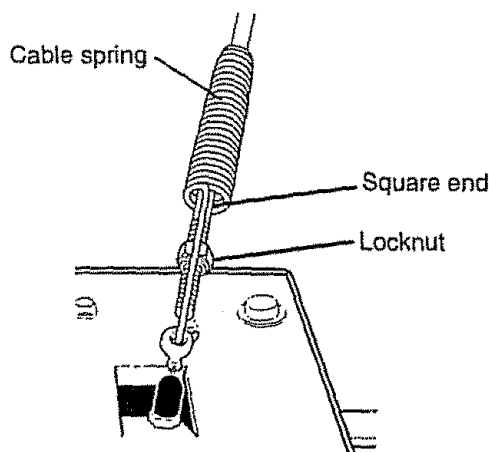


## HOW TO ADJUST THE CLUTCH CONTROL CABLES

Periodic adjustment of the cables may be required due to normal stretch and wear on the belts. To check for correct adjustment, disconnect "Z" Fitting at clutch lever, move clutch lever to the full forward position, just contacting the plastic bumper. The control cables are correctly adjusted when the center of the "Z" fitting is between the center and top of the hole and there is no droop in the cable (see figure below). If adjustment is necessary:



- Remove fuel from tank, and stand blower on end.
- Pull rubber boot off the top of the spring. Push the cable through the spring (see figure below) to expose the threaded portion of the cable.



- Hold the square end of the threaded portion with pliers and adjust the locknut in or out until the excess slack is removed.
- Pull the cable back through the spring and connect the cable.
- Do the same for the other lever cable, if needed.

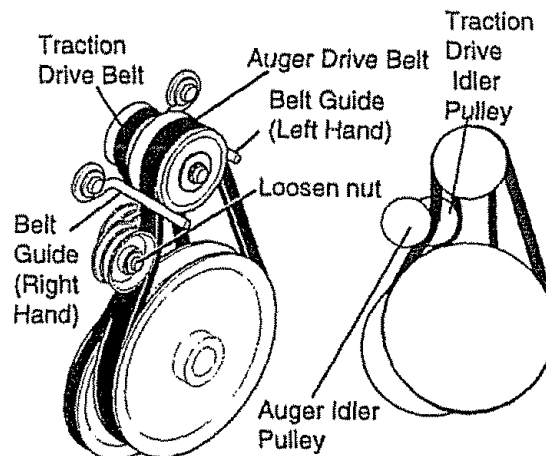
## HOW TO ADJUST BELTS

Belts stretch during normal use. If you need to adjust the belts due to wear or stretch, proceed as follows:

### AUGER DRIVE BELT

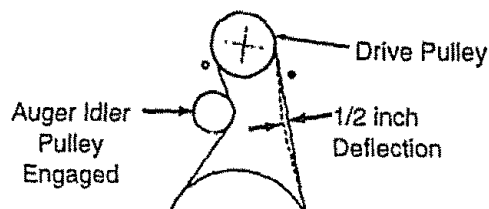
If your snow thrower will not discharge snow, check the control cable adjustment. If it is correct, then check the condition of the auger drive belt. It may be loose or damaged. If it is damaged, replace it (See To Replace Belts paragraph on page 20). If the auger drive belt is loose, adjust as follows:

- Disconnect the spark plug wire.
- Remove the belt cover (See second figure on page 20).
- Loosen the nut on the auger idler pulley (See figure below) and move the pulley toward the belt about 1/8".
- Tighten the nut.



- Press the auger drive lever. Check the tension on the belt (**opposite auger idler pulley**). The belt should deflect about 1/2" with moderate pressure (See figure below).

**NOTE:** You may have to move the auger idler pulley more than once to obtain the correct tension.



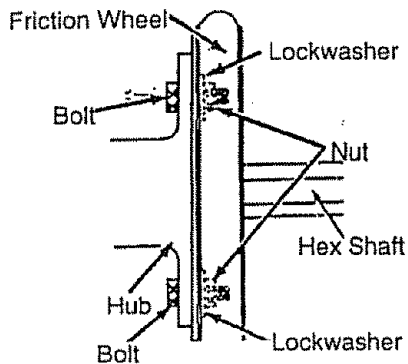
## TO REPLACE FRICTION WHEEL

If the snow thrower will not move forward, and the friction wheel is worn or damaged, you need to replace it as follows: (First allow the engine to cool).

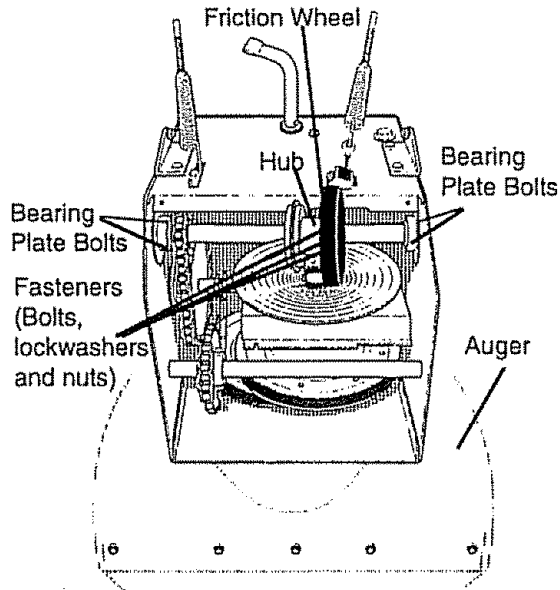
- Drain the gasoline from the fuel tank by removing the fuel line at the carburetor. Drain the fuel in a container and reinstall the fuel line.

**⚠ CAUTION:** Drain gasoline outdoor away from fire or flame.

- Disconnect the spark plug wire.
- Stand the snow thrower up on the auger housing end.
- Remove the bottom panel (see second figure on page 21).
- Remove the three (3) fasteners securing the friction wheel to the hub (see figure below).



- Remove the four bolts securing the bearing plates (both sides), (see second figure on this page).
- Remove right side bearing plate. Leave hex shaft in original position.
- Remove friction wheel from hub. Slip friction wheel off hex shaft towards right side.
- Slip new friction wheel onto hub with recessed or cupped end away from hub (see figure above).
- Install bearing plates to original position. Ensure hex shaft is engaged with both bearing plates.
- Secure bearing plates, using bolts removed earlier.
- Secure friction wheel to hub using fasteners removed earlier. Ensure hex shaft turns freely.



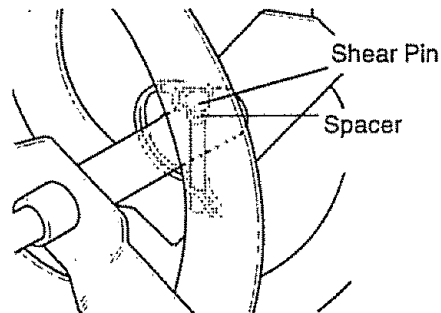
**NOTE:** Ensure friction wheel and friction disc are free from grease or oil.

- Replace bottom panel.
- Lower the snow thrower onto the tires.

## TO REPLACE AUGER SHEAR BOLT

The augers are secured to the auger shaft with special bolts (see figure below) that are designed to break (to protect the machine) if an object becomes lodged in the auger housing. Use of a harder bolt will destroy the protection provided by the shear bolt.

**IMPORTANT:** To ensure safety and performance levels, only original equipment shear bolts should be used. When replacing shear bolts, be sure to replace shear bolt spacers.



- To replace a broken shear bolt, proceed as follows:
- Move the throttle to **STOP** and turn off all controls.
- Disconnect the spark plug wire. Be sure all moving parts have stopped.
- Lubricate the auger shaft zerk fitting (See the Maintenance section on pages 15-17).

- Align the hole in the auger with the hole in the auger shaft. Install the new shear pin and spacer found in toolbox located on top of belt cover.

**NOTE:** The spacer fits inside the larger hole in the auger tube.

- Reconnect the spark plug wire.

### TO ADJUST CARBURETOR

If you think your carburetor needs adjusting, see your nearest Authorized **Sears Service Center**. Engine performance should not be affected at altitudes up to 7,000 feet. For operation at higher elevations, contact your nearest **Sears Service Center**.

### TO ADJUST OR REPLACE

#### THE SPARK PLUG

**NOTICE:** This spark ignition system meets all requirements of the Canadian Interference-Causing Equipment Regulations.

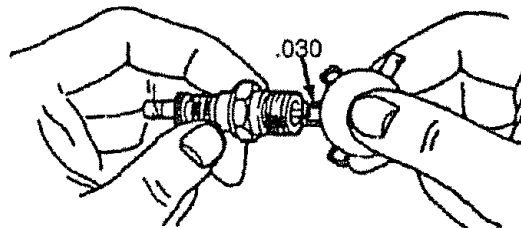
**NOTICE:** This engine complies with all current Australian and New Zealand limitations regarding electromagnetic interference.

If you have difficulty starting your snow thrower, you may need to adjust or replace the spark plug. Follow the instructions below.

Replace the spark plug if the electrodes are pitted or burned or if the porcelain is cracked.

#### TO ADJUST:

- Clean the spark plug by carefully scraping the electrodes (do not sand blast or use a wire brush).
- Be sure the spark plug is clean and free of foreign material. Check the electrodes gap (see figure below) with a wire feeler gauge and reset the gap to .030 inch if necessary.



#### TO REPLACE:

- If you need a new spark plug, use only the proper replacement spark plug (see page 15).
- Set the gap to .030.
- Before installing the spark plug, coat its threads lightly with oil or grease to insure easy removal.
- Tighten the plug firmly into the engine.
- If a torque wrench is available, torque the plug to 18 to 23 ft. - lbs.

## STORAGE

**⚠ CAUTION:** Never store your snow thrower indoors or in an enclosed, poorly ventilated area if gasoline remains in the tank. fumes may reach an open flame, spark or pilot light from a furnace, water heater, clothes dryer, cigarette, etc.

To prevent engine damage (if snow thrower is not used for more than 30 days) follow the steps below.

### SNOW THROWER STORAGE

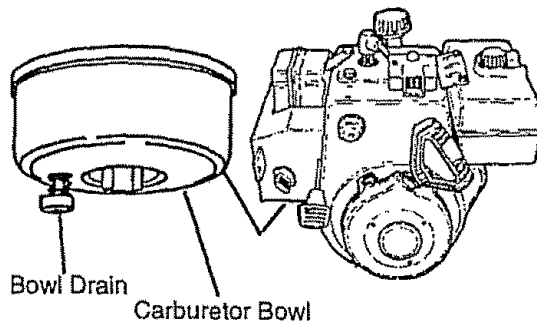
- Thoroughly clean the snow thrower.
- Lubricate all lubrication points (see the Maintenance section on pages 15-17).
- Be sure that all nuts, bolts and screws are securely fastened. Inspect all visible moving parts for damage, breakage and wear. Replace if necessary.
- Touch up all rusted or chipped paint surfaces; sand lightly before painting.
- Cover the bare metal parts of the blower housing auger and the impeller with rust preventative, such as a spray lubricant.

**NOTE:** A yearly checkup or tune-up by a **SEARS** Service Center is a good way to insure that your snow thrower will provide maximum performance for the next season.

### ENGINE STORAGE

Gasoline must be removed or treated to prevent gum deposits from forming in the tank, filter, hose, and carburetor during storage. Also during storage, alcohol blended gasoline that uses ethanol or methanol (**sometimes called gasohol**) attracts water. It acts on the gasoline to form acids which damage the engine.

- To remove gasoline, run the engine until the tank is empty and the engine stops. Then drain remaining gasoline from carburetor by pressing upward on bowl drain located on the bottom of carburetor (see next figure).
- If you do not want to remove gasoline, a fuel stabilizer (such as **Craftsman Fuel Stabilizer No. 33500**) may be added to any gasoline left in the tank to minimize gum deposits and acids. If the tank is almost empty, mix stabilizer with fresh gasoline in a separate container and add some to the tank.



Always follow instructions on stabilizer container. Then run engine at least 10 minutes after stabilizer is added to allow mixture to reach carburetor. Store snow thrower in a safe place. See Caution on this page.

You can keep your engine in good operating condition during storage by:

- Changing oil (see page 17).
- Lubricating the piston/cylinder area. This can be done by first removing the spark plug and squirting a few drops of clean engine oil into the spark plug hole. Then cover the spark plug hole with a rag to absorb oil spray. Next, rotate the engine by pulling the starter rope fully out two or three times. Finally, reinstall spark plug and attach spark plug wire.

### OTHER

- If possible, store your snow thrower indoors and cover it to give protection from dust and dirt.
- If the machine must be stored outdoors, block up the snow thrower to be sure the entire machine is off the ground.
- Cover the snow thrower with a suitable protective cover that does not retain moisture. Do not use plastic or vinyl.

**IMPORTANT:** Never cover snow thrower while engine and exhaust areas are still warm.

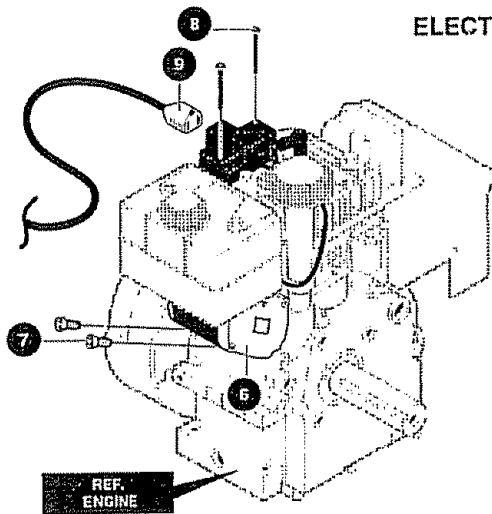


## TROUBLE SHOOTING

TROUBLE	CAUSE	CORRECTION
Difficult starting	Defective spark plug Water or dirt in fuel system	Replace defective plug Use carburetor bowl drain to flush and refill with fresh fuel
Engine runs erratically	Blocked fuel line or low on fuel	Clean fuel line; check fuel supply; add fresh gasoline (gasoline/oil mixture if 2-cycle engine)
Engine stalls	Unit running on CHOKE	Move choke lever to OFF position
Engine runs erratically; Loss of power	Water or dirt in fuel system	Use carburetor bowl drain to flush and refill with fresh fuel
Excessive vibration	Loose parts; damaged impeller	Stop engine immediately and disconnect spark plug wire. Tighten all bolts and make all necessary repairs. If vibration continues, have the unit serviced by a Sears service repairman
Units fails to propel itself	Drive belt loose or damaged  Incorrect adjustment of auger control cable  Worn or damaged friction wheel	Adjust auger drive belt: Replace if damaged  Adjust traction drive cable  Repair friction wheel
Unit fails to discharge snow	Auger drive belt loose or damaged  Auger control cable not adjusted correctly  Shear bolt broken  Discharge chute clogged  Foreign object lodged in auger	Replace auger drive belt  Adjust auger control cable  Replace shear bolt  Stop engine immediately and disconnect spark plug wire. Clean discharge chute and inside of auger housing  Stop engine immediately and disconnect spark plug wire. Remove object from auger.
Headlight does not work	Loose wire connection  Bulb burned out	Tighten connection  Replace headlight bulb

## CRAFTSMAN 30" - 11H.P. SNOW THROWER 536.886220

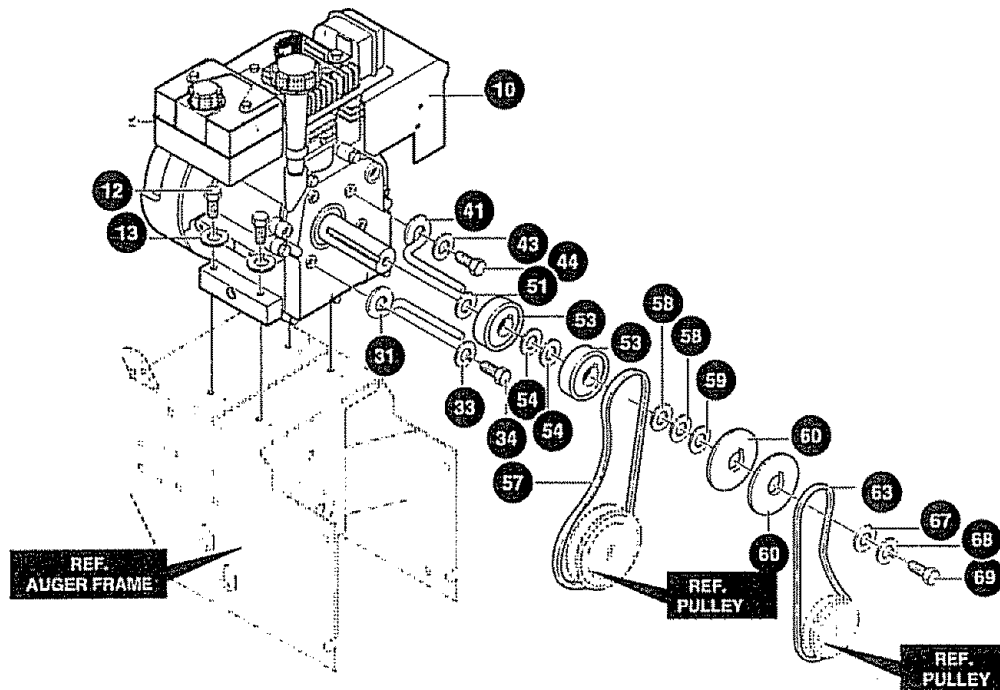
### ELECTRIC START ASSEMBLY



REF NO.	PART NO.	PART NAME
6	6218	Starter Motor
7	6216	Screw, 1/4-20X .50
8	6217	Screw, #6-32X2.50
9	6219	Cord, Starter Motor
	761118	Owner's Manual Eng/Sp

319051B

### ENGINE ASSEMBLY



REF. NO.	PART NO.	PART NAME
10	ENGINE	Model 143.981001 (See Engine Pages)
12	331216	Screw, 5/16-18X1.50
13	120638	Washer, Hvsptlk
31	3949	Belt Guide RH
33	120638	Washer, Hvspilk
34	910828	Screw, 5/16-24X 1.00
41	3949	Belt Guide RH
43	120638	Washer, Hvsptlk
44	910828	Screw, 5/16-24X 1.00
51	579855	Washer, Crankshaft

REF. NO.	PART NO.	PART NAME
53	579854	Pulley Half
54	579861	Flatwasher.752X .91X.02
57	579932	Belt, V
58	73840	Flatwasher .765X1.12X.06
59	586251	Spacer Sleeve
60	586253	Engine Pulley V4L
63	585416	Belt, V 4L
67	313826	Flatwasher
68	120382	Washer, Regsptlk
69	39573	Screw 3/8-24X1.00

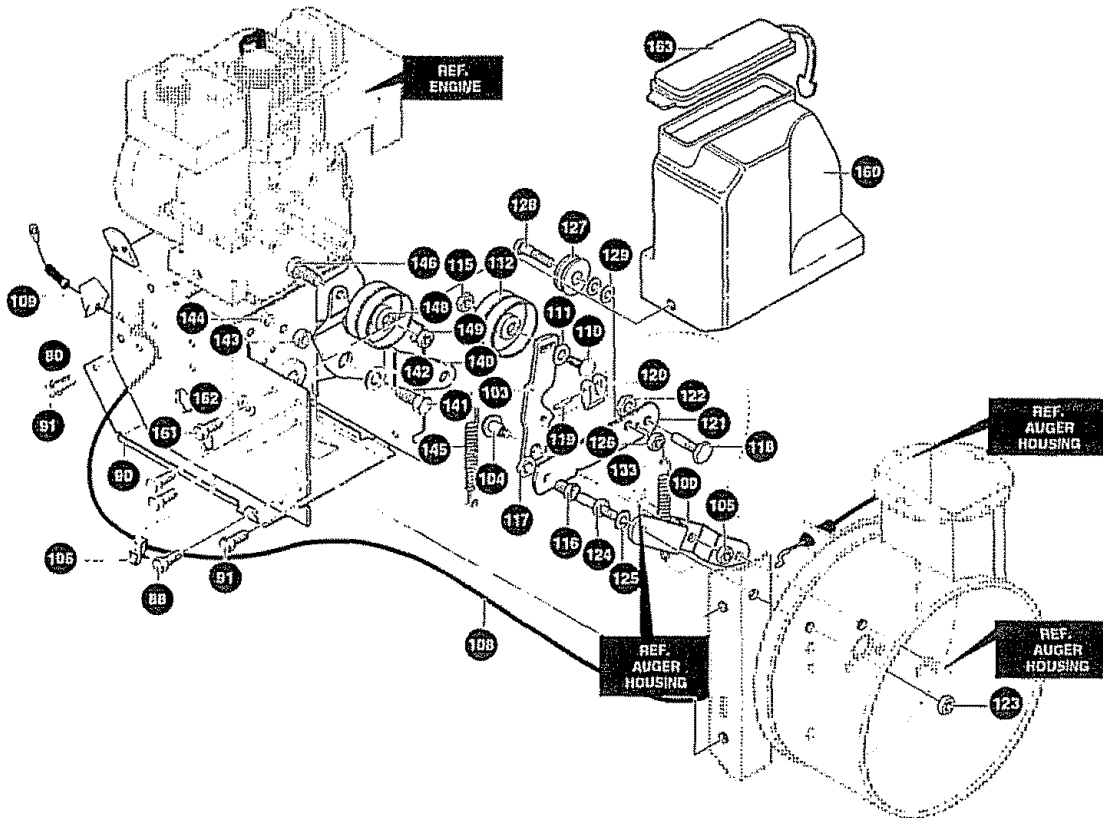
319042G

**Note:** Always use original equipment parts. Use of service/replacement parts other than original parts may void your warranty.

All unnumbered items are interchangeable with opposite side

CRAFTSMAN 30" - 11H.P. SNOW THROWER 536.886220

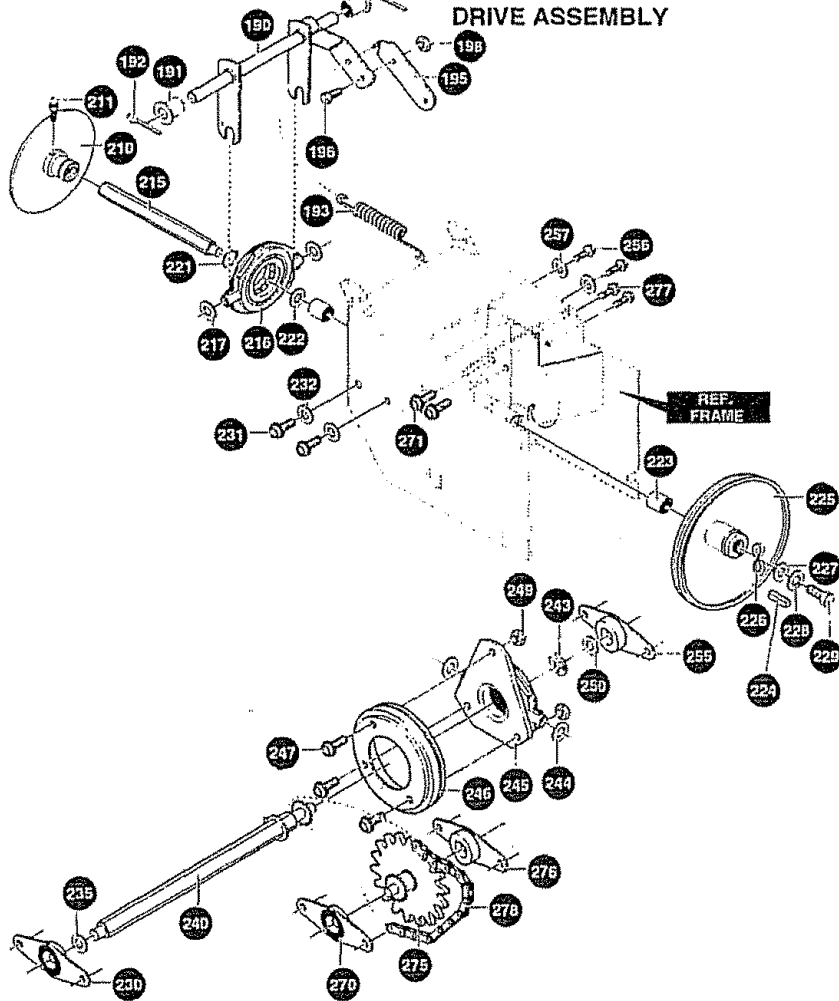
FRAME ASSEMBLY



342574B

REF. NO.	PART NO.	PART NAME	REF. NO.	PART NO.	PART NAME
80	340386-848	Frame Assy	124	710138	Stud, Brake Arm
88	780055	Screw, 5/16-18X .50	125	120382	Washer, Regsptlk
90	583031-848	Cover, Bottom Wheel	126	782585	Nut, 1/4-20 Reghexctrk
91	310169	Screw, 1/4-20X .63	127	48306	Pulley
100	761195	Plate, Clutch Arm	128	58336	Bolt, .375 x .375
103	761196	Idler Bracket	129	120385	Washer, Flat
104	710200	Sh. Bolt, 3/8-16			
105	780072	Nut, 3/8-16	133	339017	Idler Spring
106	340682	Cable Clip	140	579872	Idler Arm Lever
108	761153	Cable, Auger	141	180077	Screw 5/16-18X .75
109	340869	Shield, Cable Guard	142	73795	Flatwasher .328X1.25X.075
110	585781	Bolt, 3/8-16X1.25	143	579865	Bushing, Idler Lever
111	996418	Flatwasher .506x.75x.024	144	71038	Nut, 5/16-18 Hexnly
112	313843	Idler Pulley	145	313854	Idler Spring
115	41529	Nut, 3/8-16 Hxctrkjam	146	180124	Screw, 3/8-16X1.25
116	585470	Bolt, Brake Arm	148	313843	Idler Pulley
117	585608	Nut, 9/16-18 Jamctrk	149	41529	Nut 3/8-16 Hxctrkjam
118	585446	Bolt-Brake Arm	160	760478	Belt Cover
119	73801	Pin, Spring	161	310169	Screw, 1/4-20X .63
120	581540	Pad, Auger/Impeller Brake	162	71067	Flatwasher .286X.63X.065
121	761197	Bracket	163	760539	Lid, Belt Cover
122	585609	Nut, 1/2-20 Jamctrk			
123	1499	Nut, 3/8-16 Reghctrk			

CRAFTSMAN 30" - 11H.P. SNOW THROWER 536.886220

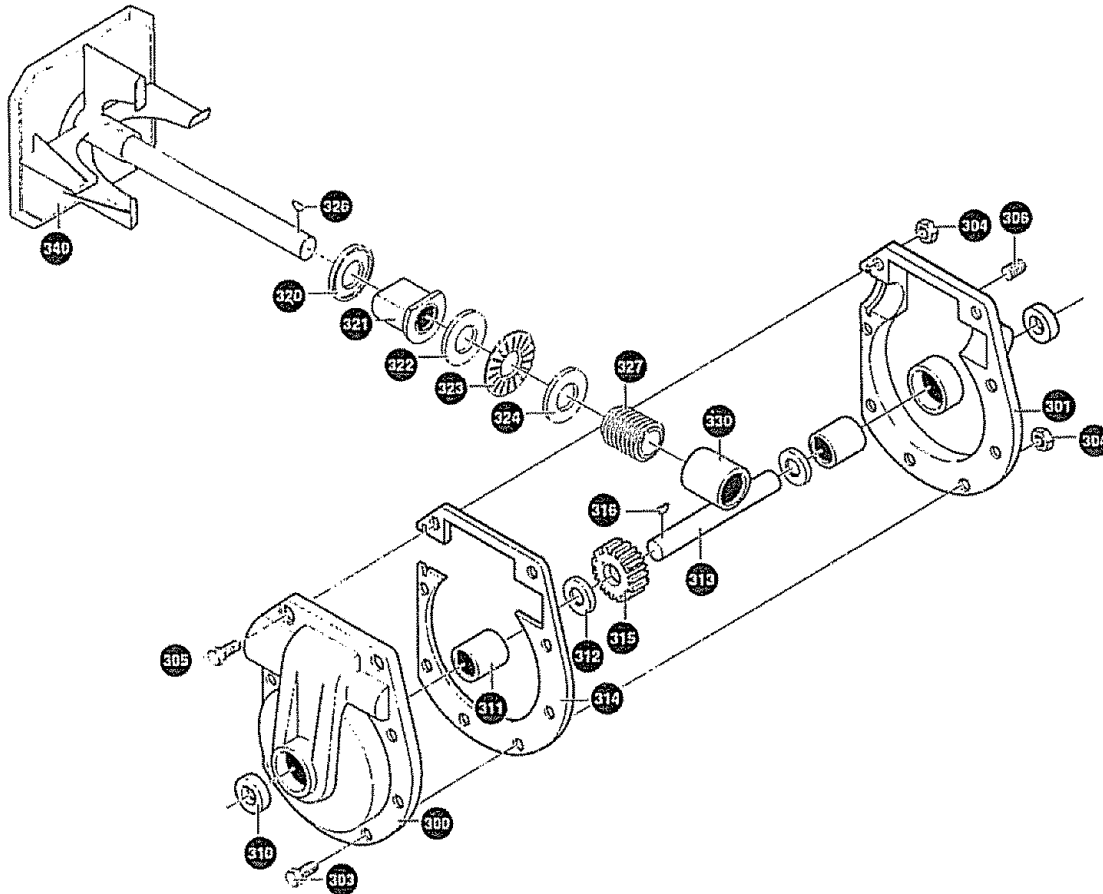


313995 J

REF. NO.	PART NO.	PART NAME
190	579941	Lever Assy
191	313853	Bearing Flange
192	137185	Cotter Pin
193	313919	Spring, Return
195	579937	Lever, Spring Traction
196	11871	Screw 1/4-20X .63
198	782585	Nut, 1/4-20 Reghexctrk
210	583163-853	Disc Assy
211	583206	Grease Zerk
215	583155	Hex Shaft
216	85501	Trunion Bearing
217	71074	Flatwasher .53 X1.00X.063
221	73811	Retex Ring
222	580969	Flatwasher .680X1.12X.060
223	43846	Ball Bearing
224	580970	Square Key .18SQX.63LG
225	580961	Pulley, V3L 6.50X .56
226	580965	Wave Washer
227	578962	Flatwasher .281X1.00X.063
228	120380	Washer, Regspltk

REF. NO.	PART NO.	PART NAME
229	180020	Screw, 1/4-20X .75
230	334163	Bearing and Retainer Assy
231	780055	Screw 5/16-18X .50
232	120638	Washer, Hvsptlk
235	579858	Special Washer
240	579897	Hex Assy #40-8TW
243	462	Retex Ring
244	71074	Flatwasher .53 X1.00X.063
245	337029	Trunion Bearing
246	313883	Friction Wheel Assy
247	11871	Screw, 1/4-20X .63
249	303008	Nut 1/4-20 Hex Keps
250	579858	Special Washer
255	334163	Bearing and Retainer Assy
256	780055	Screw 5/16-18X .50
257	120638	Washer, Hvsptlk
270	334163	Bearing and Retainer Assy
271	780055	Screw, 5/16-18X .50
275	583010	Jack Assy#41-36T&7T
276	334163	Bearing and Retainer Assy
277	780055	Screw, 5/16-18X .50
278	579867	Chain Roller #42 X 40P

**CRAFTSMAN 30" - 11H.P. SNOW THROWER 536.886220  
GEAR CASE ASSEMBLY**

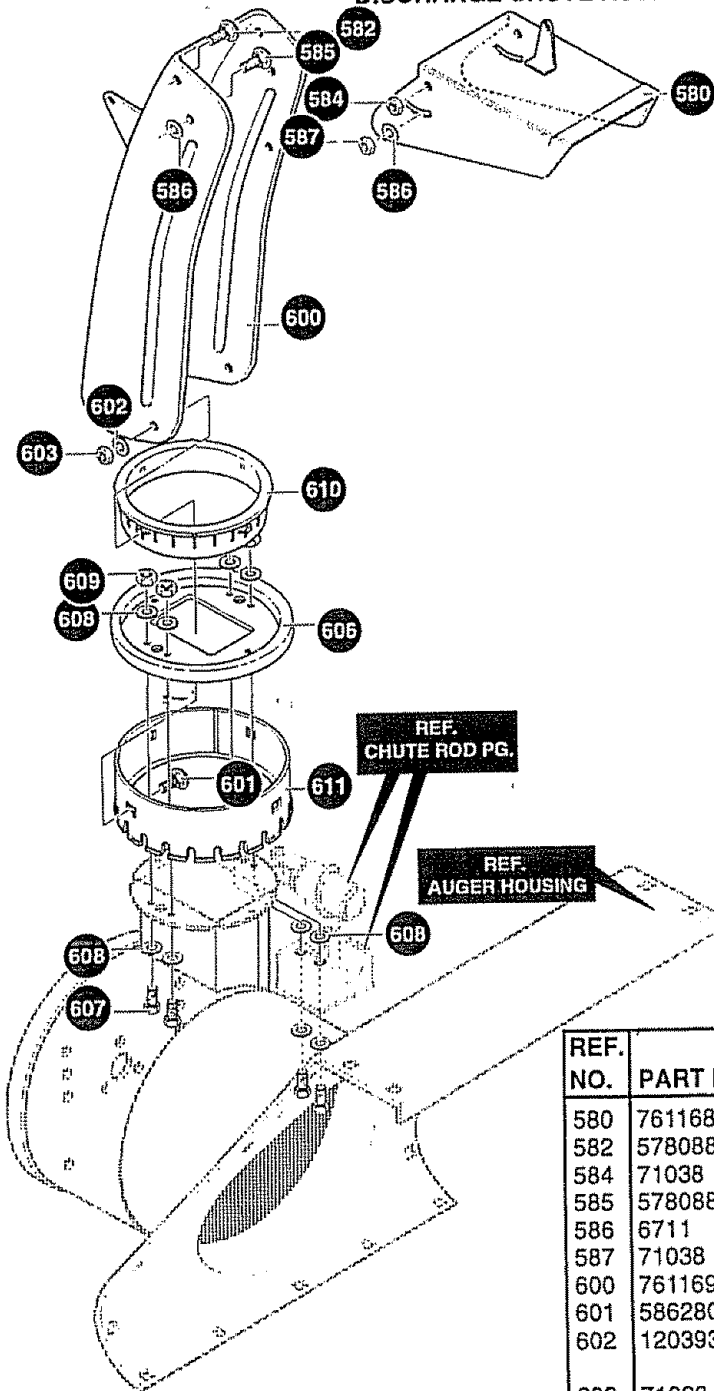


314014D

REF. NO.	PART NO.	PART NAME
300	896	Gear Case RH
301	895	Gear Case LH
303	910828	Screw, 5/16-24X1.00
304	71100	Nut, 5/16-24
305	330434	Screw, 5/16-24X1.50
306	313872	Pipe Plug
310	780151	Oil Seal
311	313870	Bearing Sleeve
312	313871	Flatwasher
313	760527	Auger Shaft
314	897	Gasket, Gear Box
315	313861	Worm Gear

REF. NO.	PART NO.	PART NAME
316	73905	Woodruff Key#91
320	313914	Ring, Quad
321	583126	Bearing, Flange
322	48275	Flatwasher .752X1.24X.093
323	313828	Bearing, Roll
324	48275	Flatwasher .752X1.24X.093
326	50795	Hi-Pro Key 606
327	313862	Worm Gear
330	53731	Bearing, Sleeve
340	585423-853	Impeller Assy

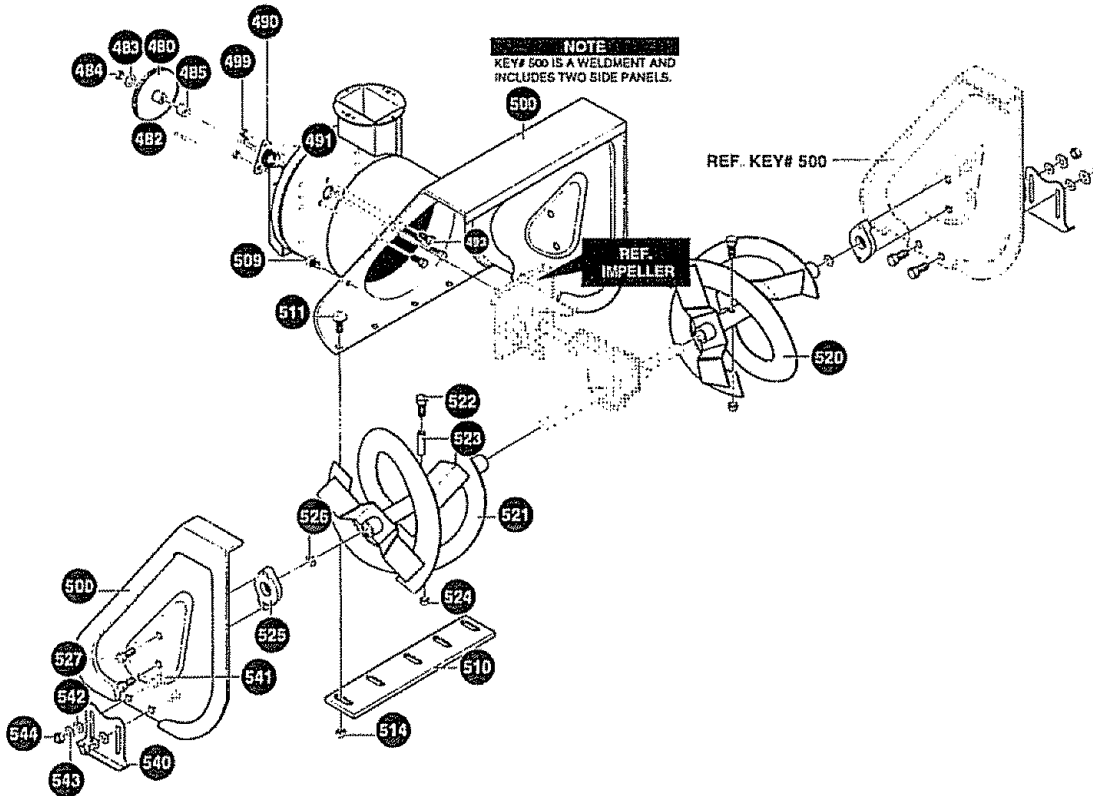
**CRAFTSMAN 30" - 11H.P. SNOW THROWER 536.886220**  
**DISCHARGE CHUTE ASSEMBLY**



REF. NO.	PART NO.	PART NAME
580	761168-853	Upper Chute
582	578088	Screw, 5/16-18X .75
584	71038	Nut, 5/16-18 Reghxctrik
585	578088	Screw, 5/16-18X .75
586	6711	Plastic Washer.
587	71038	Nut, 5/16-18 Reghxctrik
600	761169-853	Lower Chute
601	586280	Bolt, 5/16-18X1.00
602	120393	Flatwasher .344X .69X.065
603	71038	Nut, 5/16-18 Hexnyl
606	585214-853	Chute Collar
607	302628	Screw, 1/4-20X .75
608	71067	Flatwasher .286X.63X.065
609	782585	Nut, 1/4-20 Reghxctrik
610	337227	Inner Ring Retainer
611	585193	Outer Ring Retainer

340892E-1

**CRAFTSMAN 30" - 11H.P. SNOW THROWER 536.886220**  
**AUGER HOUSING ASSEMBLY**

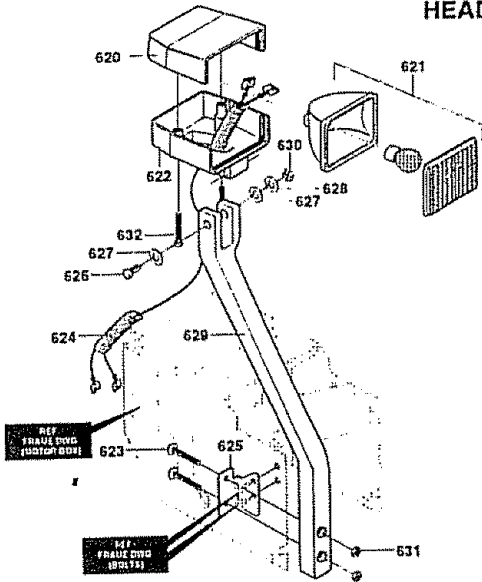


339974 M

REF. NO.	PART NO.	PART NAME	REF. NO.	PART NO.	PART NAME
480	583146	Pulley, V4L 8.40 OD	521	760596-853	Auger Assy LH
482	71371	Square Key .18SQX.88LG	522	*	Screw, 1/4-20X1.75
483	71074	Flatwasher .53 X1.00X.063	523	3943	Spacer Sleeve
484	274654	Nut, 1/2-20 Reghxctrik	524	*	Nut, 1/4-20 Reghxctrik
485	334514	Spacer, Sleeve	525	313873	Auger Shaft Bearing
490	582960	Ball Bearing Retainer	526	73755	Flatwasher 1.005X1.31X.035
491	43846	Ball Bearing	527	782967	Screw, 5/16-18X .88
493	180077	Screw, 5/16-18X .75	540	585385-853	Height Adj. Skid
499	710026	Nut, 5/16-18 Reghex	541	340720	Bolt, 5/16-18X .75
500	760686-848	Housing Assy	542	120393	Flatwasher .344X .69X.065
509	760040	Plug	543	120638	Washer, Hvsptlk
510	760659-853	Scraper Blade	544	120376	Nut, 5/16-18 Reghex
511	340720	Bolt, 5/16-18X .75			
514	710026	Nut, 5/16-18 Hxwdfllk Whiz			
520	760595-853	Auger Assy RH			

\* When ordering replacement parts order Shear Pin, part #760875.

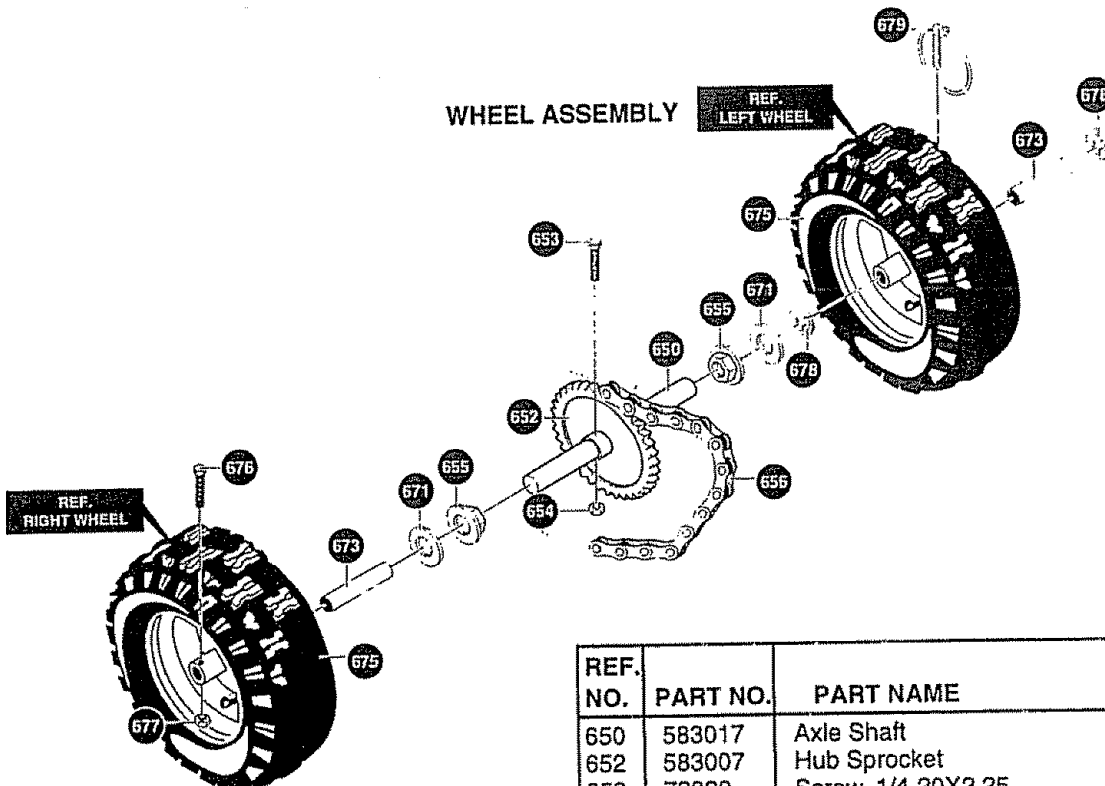
**CRAFTSMAN 30" - 11H.P. SNOW THROWER 536.886220  
HEADLIGHT PANEL ASSEMBLY**



REF. NO.	PART NO.	PART NAME
620	583490	Housing, headlight Upper
621	581575	Headlight Assy
622	583491	Housing, headlight Lower
623	180024	Screw, 1/4-20 x 1.25
624	760745	Wire Harness
625	760821	Bracket, Light
626	11234	Screw, 5/16-18 x 2.75
627	120393	Washer, Flat
628	120638	Washer, Lock
629	760482	Bracket, Mount
630	120376	Nut, 5/16-18
631	782585	Nut, 1/4-20
632	3077B1	Screw, #8 x 1.75

342623B

**WHEEL ASSEMBLY**

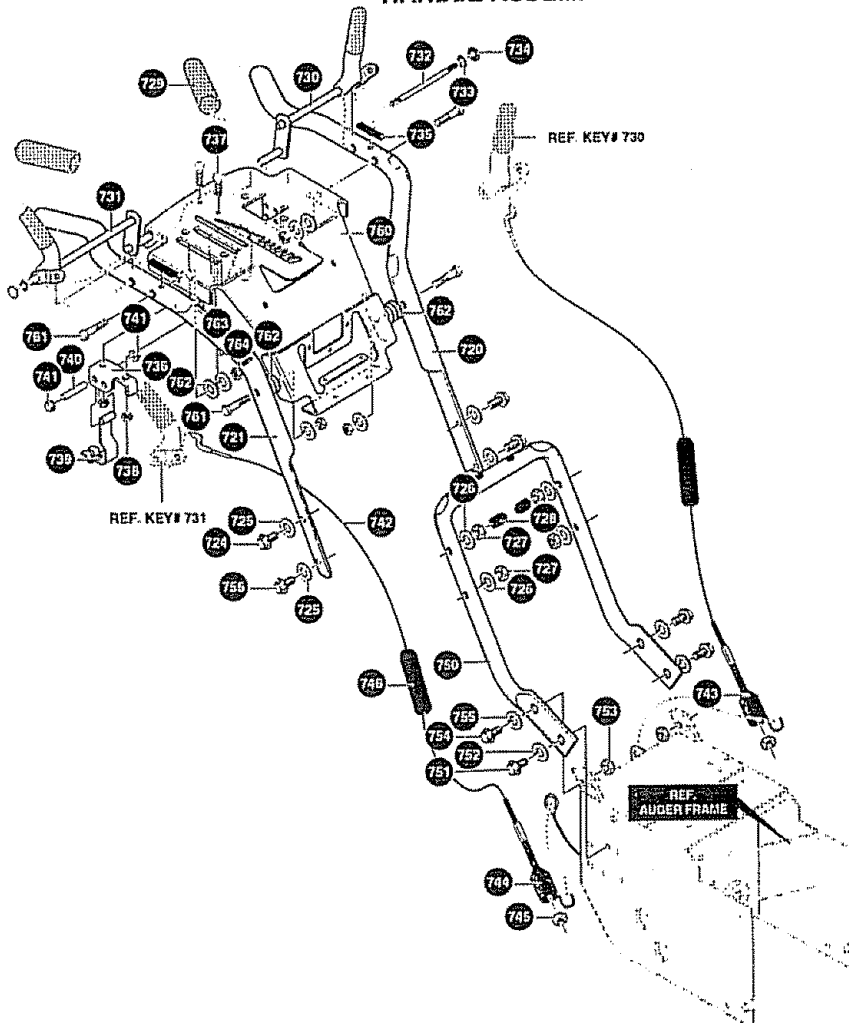


REF. NO.	PART NO.	PART NAME
650	583017	Axle Shaft
652	583007	Hub Sprocket
653	73839	Screw, 1/4-20X2.25
654	782585	Nut, 1/4-20 Reghxctrk
655	581730	Bearing, Flange
656	583013	Roller Chain
671	73840	Flatwasher .765X1.12X.06
673	585591	Wheel Bushing
675	584633	Tire and Rim
676	577015	Screw 1/4-20X1.75
677	782585	Nut, 1/4-20 Reghxctrk
678	239	Retex Ring
679	73842	Klik Pin .25 X 1.38 DIA

318542F



**CRAFTSMAN 30" 11H.P. SNOW THROWER 536.886220  
HANDLE ASSEMBLY**



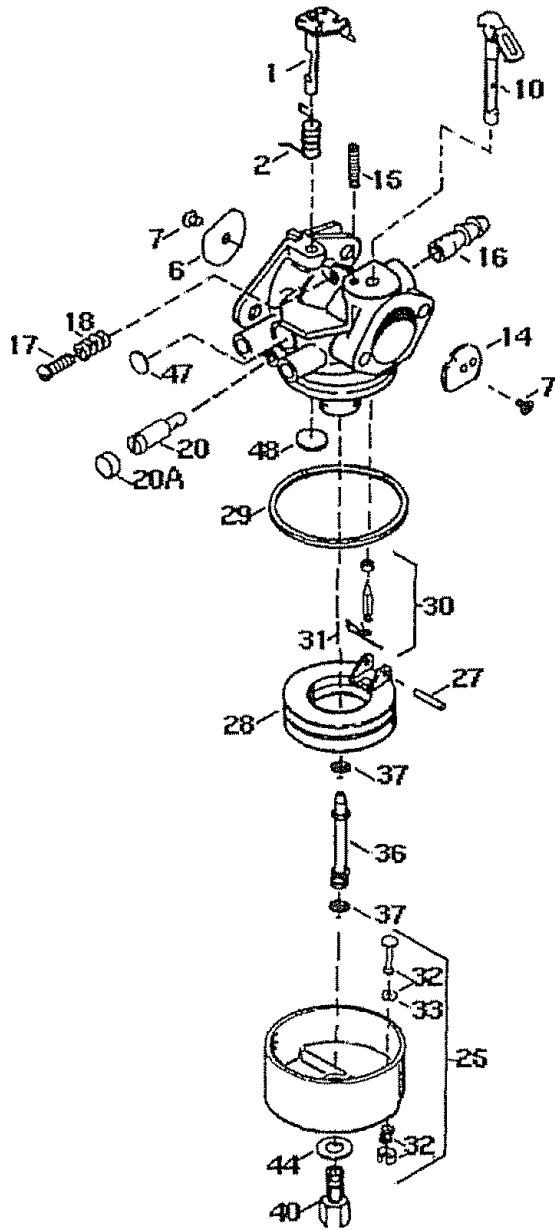
340090K-1

REF. NO.	PART NO.	PART NAME
720	581736	Handle, Upper LH
721	581738	Handle, Upper RH
724	7288	Screw, 3/8-16X3.00
725	71072	Flatwasher .406X .81X.066
726	120382	Washer, Regsptlk
727	1499	Nut, 3/8-16 reghxctrlk
728	7289	Stop, Plastic
729	578328	Grip, Handle
730	581761-853	Handle Assy, LH
731	581758-853	Handle Assy, RH
732	581766	Rod, Clutch Handle
733	300311	E Ring
734	3535	Push-on Nut
735	4049	Bumper
736	579057	Cam Bracket
737	180016	Screw, 1/4-20X .50
738	782585	Nut, 1/4-20
739	8417	Cam Lock,
740	584673	Pin, Spring Pivot

REF. NO.	PART NO.	PART NAME
741	73664	Push-on Nut 3/8"
742	579257	Cable, Clutch Control
743	579869	Tension Spring
744	1673	Spring, Auger Clutch
745	782585	Nut, 1/4-20 Reghxctrlk
746	308146	Boot, Clutch Spring
750	5543-853	Lower Handle
751	782967	Screw, 5/16-18X .88
752	120638	Washer, Hvsptlk
753	1498	Nut, 5/16-18 Reghxctrlk
754	180079	Screw, 5/16-18X 1.00
755	302680	Washer, Flat
756	71007	Screw, 3/8-16X2.00
760	578330-853	Panel Assy
761	302900	Screw, 5/16-18X1.75
762	120393	Flatwasher .344X .69X.065
763	120638	Washer, Hvsptlk
764	120376	Nut, 5/16-18 Reghex

# RAFTSMAN 4-CYCLE ENGINE MODEL NUMBER: 143.981001

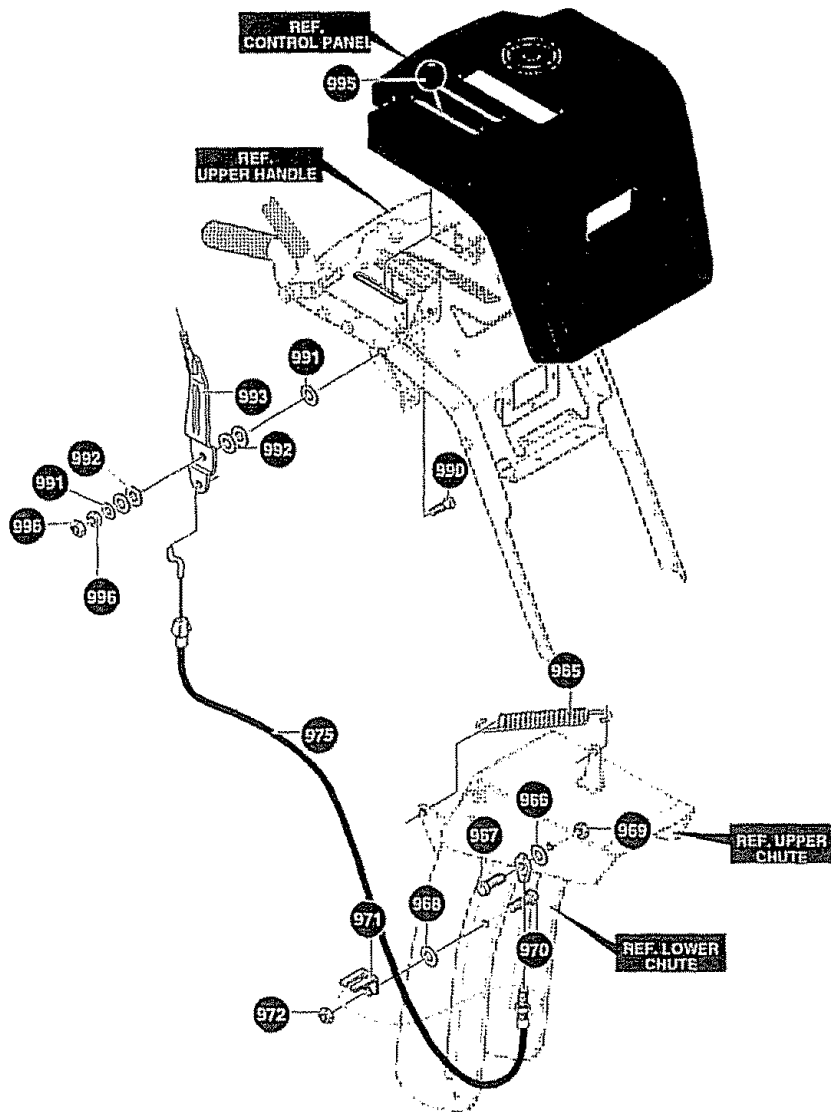
Carburetor No. 640054



REF. NO.	PART NO.	PART NAME
1	640054	Carburetor (incl 184 on engine)
2	631776A	Throttle Shaft & Lever Ass'y.
3	631970	Throttle Return Spring
4	631778	Throtter Shutter
7	650506	Shutter Screw
10	632112	Choke Shaft & Lever Assy
14	632174	Choke Shutter
15	630735	Choke Positioning Spring
16	632164	Fuel Fitting
17	650417	Throttle Crack Screw/Idle Speed Screw
18	630766	Tension Spring
20	640016	Idle Restrictor Screw
20A	640053	Idle Restrictor Screw Cap
25	631951	Float Bowl Assy (Incl 32&33)

REF. NO.	PART NO.	PART NAME
27	631024	Float Shaft
28	632019	Float
29	631028	Float Bowl "O" Ring
30	631021	Inlet Needle, Seat & Clip (Incl 31)
31	631022	Spring Clip
32	27136A	Bowl Drain Assembly
33	27554	Drain Plunger Gasket
36	640005	Main Nozzle Tube
37	632547	"O" Ring, Main Nozzle Tube
40	640012	High Speed Bowl Nut
44	27110	Bowl Nut Washer
47	630748	Welch Plug, Idle Mixture Well
48	631027	Welch Plug, Atmospheric Vent

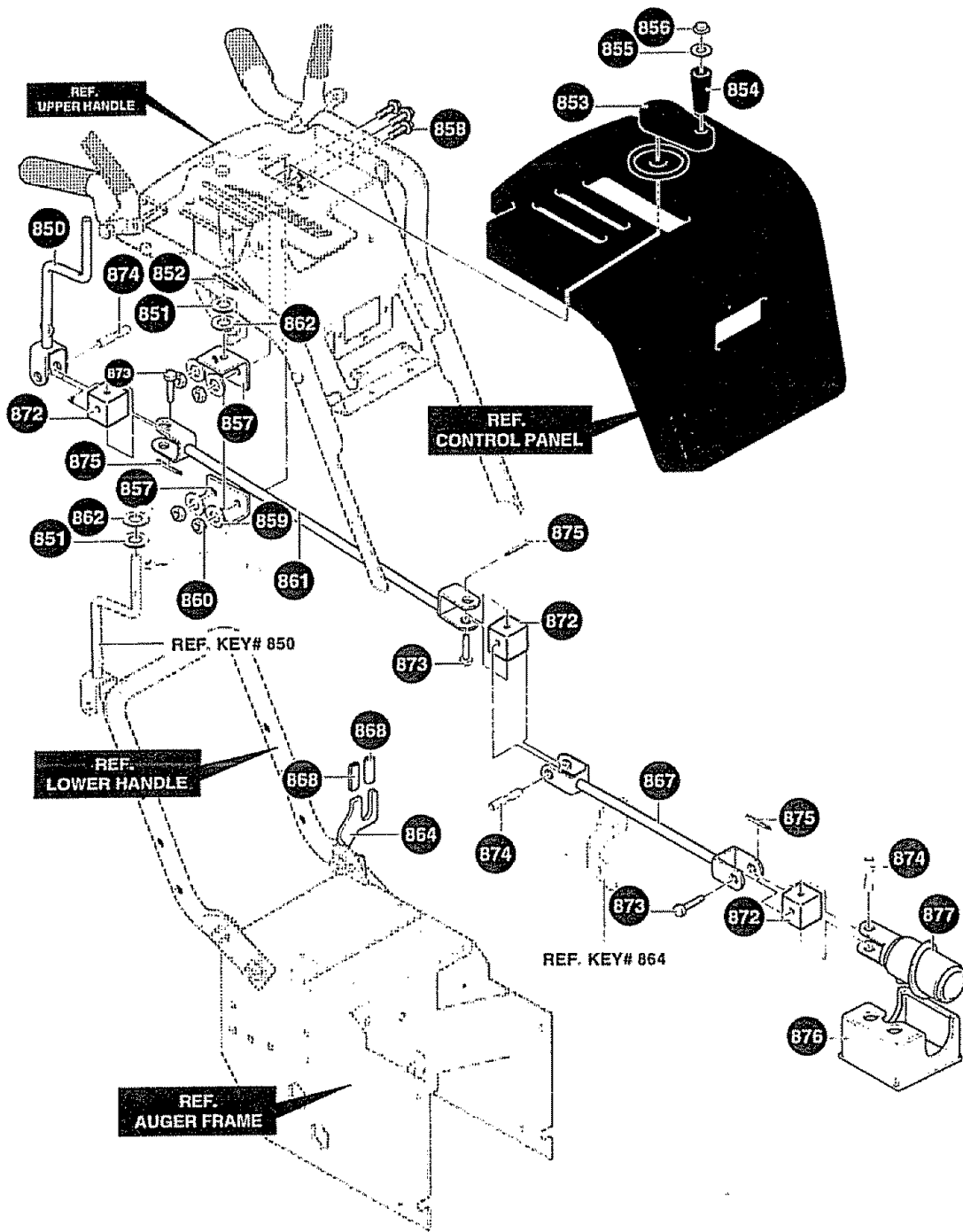
CRAFTSMAN 30" - 11H.P. SNOW THROWER 536.886220  
 REMOTE CHUTE ASSEMBLY



REF. NO.	PART NO.	PART NAME
965	780207	Spring, Tension
966	120385	Washer, Flat
967	310088	Bolt, 1/4-20
968	120393	Flatwasher, .344x.69x.065
969	46931	Nut, 1/4-20
970	180077	Screw, 5/16-18X .75
971	780066	Bracket, Cable Chute
972	1498	Nut, 5/16-18 Reghxctrik
975	761129	Cable, Chute Control
990	122168	Screw, 3/8-16 x 1.75
991	120394	Washer, Flat
992	4051	Washer, Spring
993	578659	Lever, Chute
995	578293	Knob, 1.5 Diameter
996	71046	Nut, 3/8-16

343076B

CRAFTSMAN 30" - 11H.P. SNOW THROWER 536.886220  
CHUTE CONTROL ROD ASSEMBLY



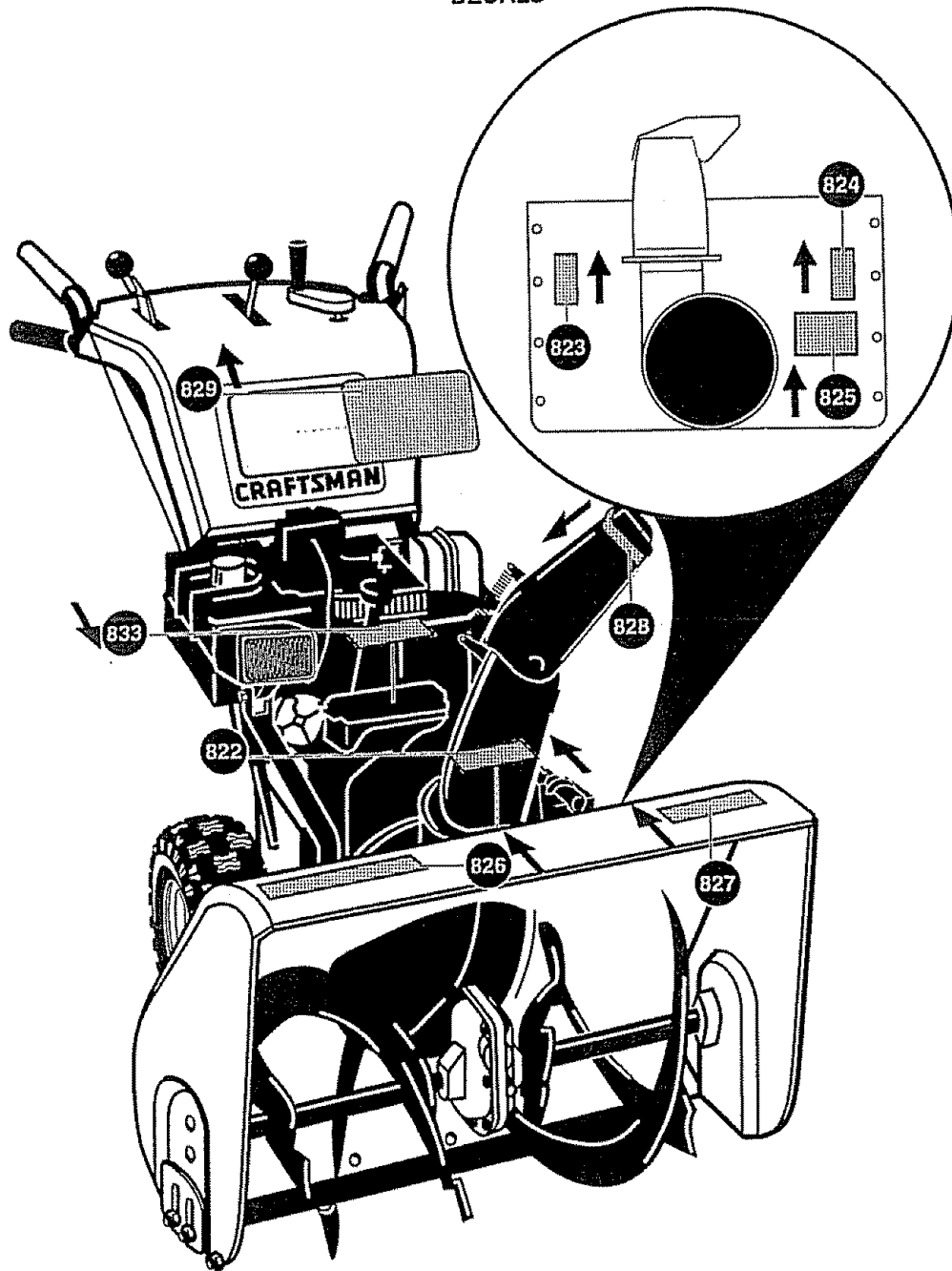
CRAFTSMAN 30" - 11H.P. SNOW THROWER 536.886220

CHUTE CONTROL ROD ASSEMBLY

REF. NO.	PART NO.	PART NAME
850	578295	Rod, Assy Upper Chute
851	71072	Flatwasher .406X .81X.066
852	121222	Cotter Pin
853	578051	Cover, Chute Crank
854	578043	Handle
855	1795	Retainer Cap 3/8
856	73664	Nut, Push-on 3/8"
857	578044-853	Bracket, Console
858	180077	Screw, 5/16-18X .75
859	120393	Flatwasher .344X .69X.065
860	71038	Nut, 5/16-18 Hexnyl
861	761099	Rod, Mid-Chute Assy
862	30289	Wave Washer
864	761066-853	Bracket, Lower Chute Control
867	339560	Rod ,Lower Chute Assy
868	55023	Trim 77.5"
872	578063	Block, Universal Pivot.
873	578309	Clevis Pin
874	578060	Pin, Universal Joint
875	579493	Cotter Pin
676	585195	Worm Bracket
677	585196	Worm Gear

340866G

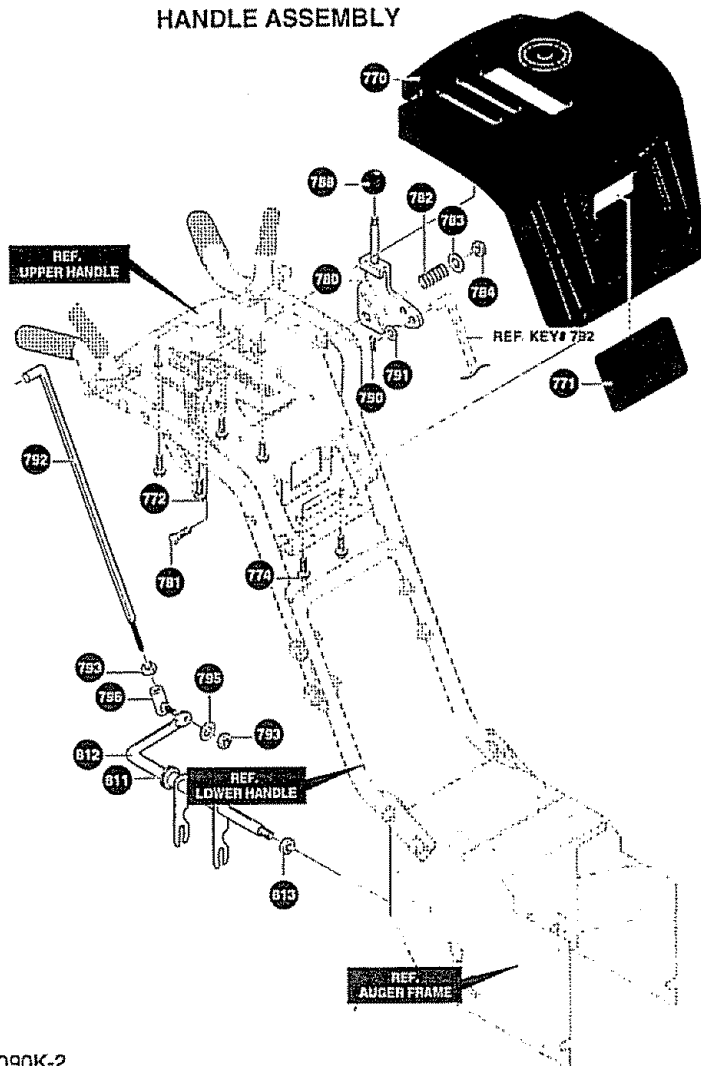
CRAFTSMAN 30" - 11H.P. SNOW THROWER 536.886220  
DECALS



340893B

REF. NO.	PART NO.	PART NAME
822	760970	Decal, 12" Impeller
823	313892	Decal, Danger Chute
824	70141	Decal, Danger Foot
825	302922	Decal, Danger
826	760968	Decal, Craftsman
827	760967	Decal, 11/30 ES
828	761078	Decal, Danger Chute
829	761095	Decal, Control Panel
833	760983	Decal, Toolbox

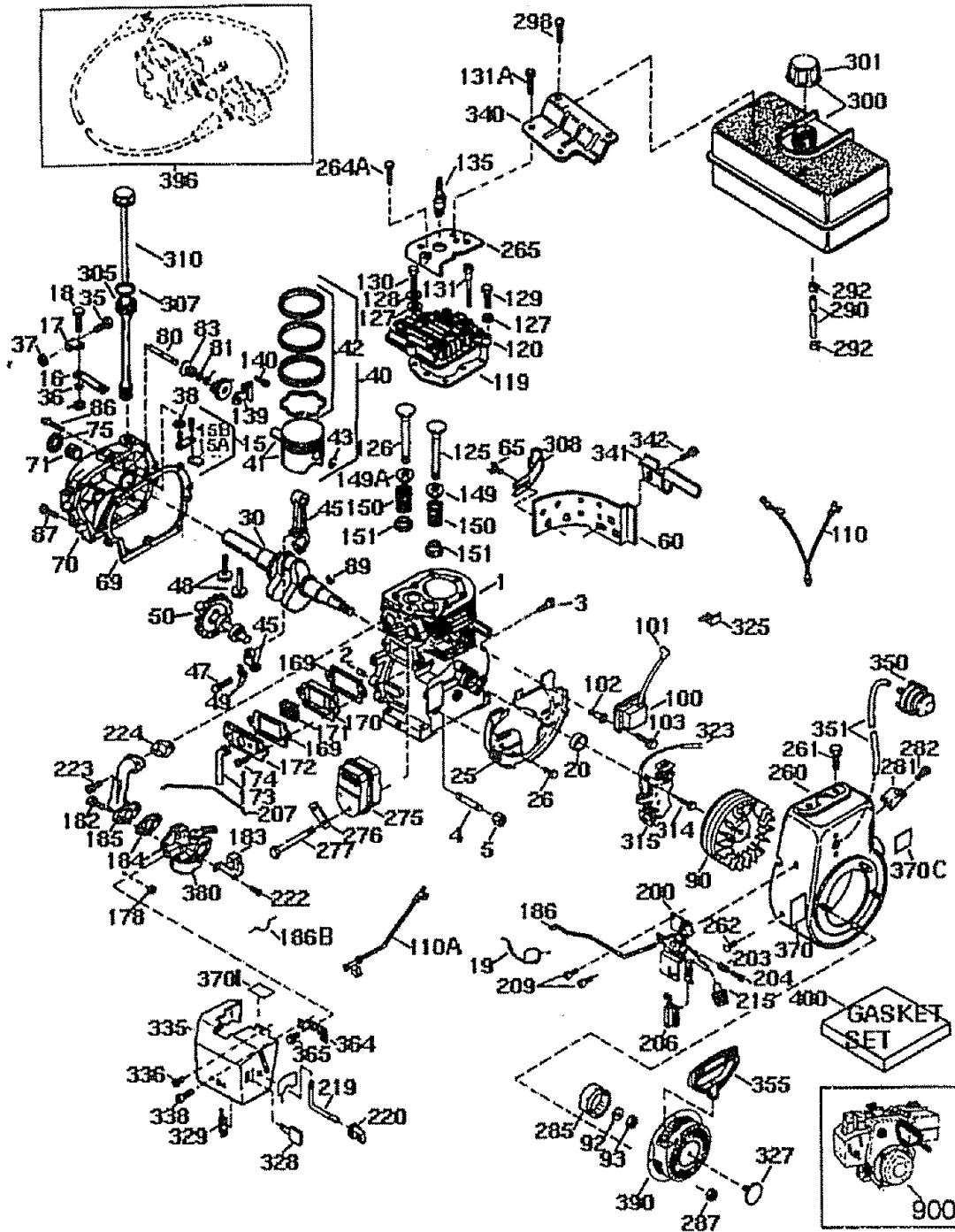
CRAFTSMAN 30" - 11H.P. SNOW THROWER 536.886220  
HANDLE ASSEMBLY



340090K-2

REF. NO.	PART NO.	PART NAME
770	339966	Console
771	308313	Plug
772	300303	Screw, .25X.75X.51
774	579440	Screw, 1/4-20X .50
780	578144-853	Gear Selector Bracket
781	122168	Screw, 3/8-16X1.75
782	313842	Spring
783	120394	Flatwasher .406X .81X.065
784	71046	Nut, 3/8-16 Hexnyl
785	73787	Flatwasher
788	578292	Knob, 1.50 DIA
790	121222	Cotter Pin .090 DIA X .75LG
791	120393	Flatwasher .344X .69X.065
792	760966	Shift Rod
793	120368	Nut, 5/16-24 Reghex
795	120638	Washer, Hvsptlk.328X.60X.09
796	313841	Steel Ball Joint
811	579944	Bearing Flange
812	337436	Rod, Assy Yoke "Panel"
813	71111	Nut 3/8-16

CRAFTSMAN 4-CYCLE ENGINE MODEL NUMBER: 143.981001





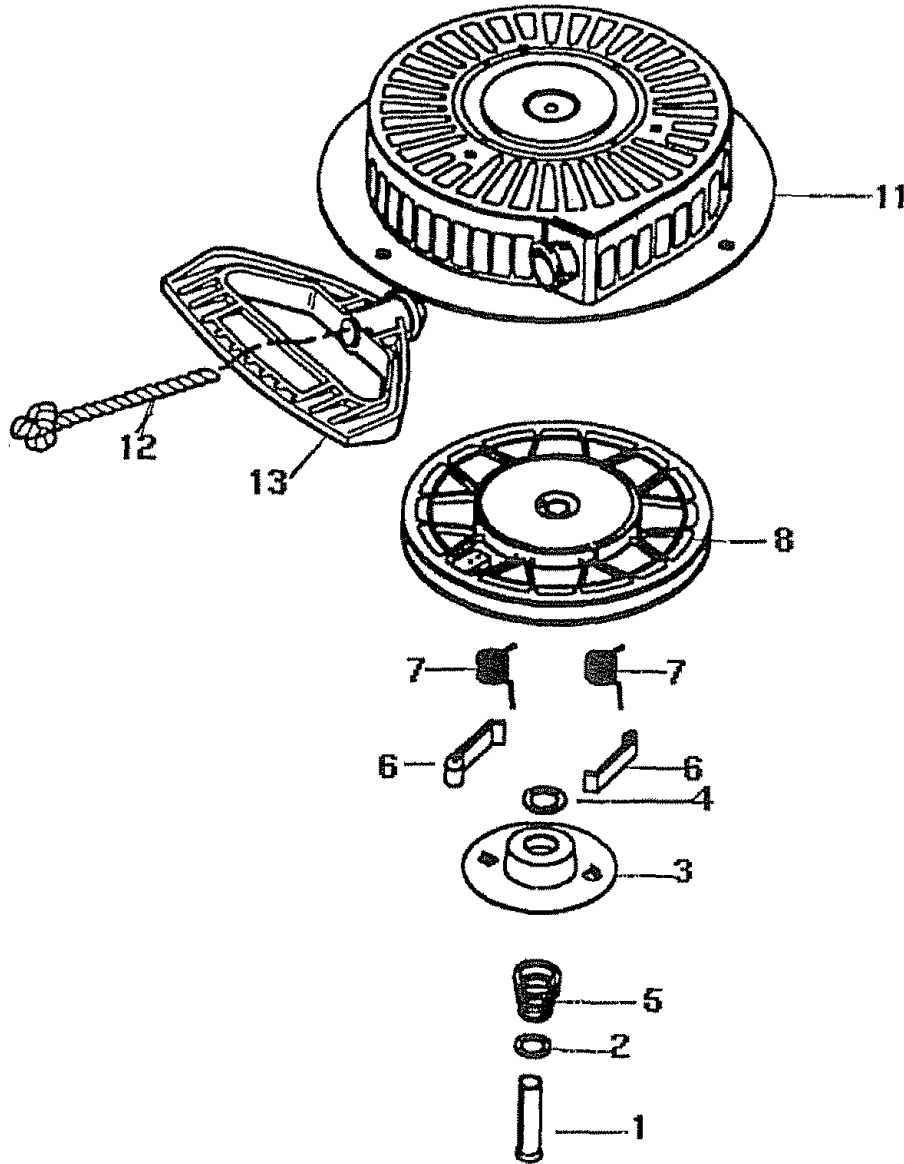
## DRAFTSMAN 4-CYCLE ENGINE MODEL NUMBER: 143.981001

Ref.#	Part No.	Description
1	35371	Cylinder (Incl 2,20,72)
2	27652	Dowel Pin
3	650820	Screw, 1/4-20x1/2"
4	31857	Oil Drain Extension
5	30969	Extension Cap
15	30699C	Governor Rod (Incl 15A & 15B)
15A	30700	Governor Yoke
15B	650494	Screw 6-40 x 5/16"
16	33454	Governor Lever
17	29916	Governor Lever Clamp
18	651028	Screw T-15 8-32x3/8"
19	34663	Speed Control Spring
20	35319	Oil Seal
25	36460	Blower Housing Baffle
26	650561	Screw 1/4-20x5/8"
28	30322	Locknut 8-32
30	36245A	Crankshaft
35	29826	Screw 10-32x3/4"
36	29918	Lockwasher
37	29216	Locknut 10-32
38	29642	Retaining Ring
40	35776	Piston,Pin,&Ring Set(Std)
40	35777	Piston,Pin,&Ring Set(.010")
40	35778	Piston,Pin,&Ring Set(.020")
41	35773	Piston&Pin Assy(Std)(Incl.43)
41	35774	Piston&Pin Assy(.010" OS)(Incl 43)
41	35775	Piston&Pin Assy(.020" OS)(Incl. 43)
42	35779	Ring Set (Std)
42	35780	Ring Set (.010" OS)
42	35781	Ring Set (.020" OS)
43	35772	Piston Pin Retaining Ring
45	36898	Connecting Rod Assy(Incl 47,49)
47	651033	Connecting Rod Bolt
48	34034	Valve Lifter
49	36896	Oil Dipper
50	35375	Camshaft (MCR)
60	33273A	Blower Hsing Extension
65	650128	Screw 10-24x1/2"
69	35262A	Cylinder Cover Gasket
70	35376	Cylinder Cover (Incl 71,75,&80)
71	35377	Crankshaft Bushing
75	35319	Oil Seal
80	31845	Governor Shaft
81	30590A	Washer
82	35378	Governor Gear Assy.(Incl 81)
83	30588A	Governor Spool
84	29193	Retaining Ring
86	650833	Screw, 1/4-20x1-3/16"
87	650832	Screw 1/4-20x1-11/16"
89	32589	Flywheel Key
90	611193	Flywheel (w/ring gear)
92	650880	Lock Washer
93	650881	Flywheel Nut
100	35135	Solid State Ignition
101	610118	Spark Plug Cover
102	651024	Solid State Miling Stud
103	651007	Screw Torx T-15 10-24x15/16
110	35187	Ground Wire
110A	37047	Ground Wire
119	36451	Cylinder Head Gasket
120	36449	Cylinder Head
125	27878A	Exhaust Valve (std)(Incl 151)
125	27880A	Exhaust Valve(1/32" OS)(Incl 151)
126	34035	Intake Valve (std)(Incl. 151)
126	34036	Intake Valve (1/32" OS)(Incl 151)
127	650691	Washer
128	650690	Belleville Washer
129	650727	Screw, 5/16-18x1-3/4"
130	6021A	Screw 5/16-18x1-1/2"
131	650694A	Screw, 5/16-18 x2"
131A	650713	Screw 5/16-18 x 5/8"
135	35395	Resistor Spark Plug(RJ19LM)
139	33369	Governor Gear Bracket
140	650836	Screw 10-24x1/2"

Ref.#	Part No.	Description
149	27882	Valve Spring Cap
149A	35862	Valve Spring Cap
150	27881	Valve Spring
151	32581	Valve Spring Keeper
169	27896A	Valve Cover Gasket
170	28423	Breather Body
171	28424	Breather Element
172	28425	Valve Cover
173	35350	Breather Tube
174	650128	Screw 10-24 x 1/2"
178	29752	Nut & Lock Washer 1/4-28"
182	30088A	Screw, 1/4-28x1"
183	34587A	Choke Bracket
184	33263	Carburetor To Intake Pine Gskt
185	33877	Intake Pipe
186	34667	Governor Link
186B	36652	Choke Spring
200	34677	Control Bkt (Incl. 203-204)
203	31342	Compression Spring
204	651029	Screw, T-10 5-40x7/16"
206	610973	Terminal
207	33878	Throttle Link
209	650821	Screw 10-32 x 1/2"
215	35440	Control Knob
219	34586	Choke Rod
220	35438	Choke Knob
222	28820	Screw 10-32 x 1/2"
223	650378	Screw Torx T-40 5/16-18x1-1/8"
224	27915A	Intake Pipe Gasket
260	35447A	Blower Housing
261	650788	Screw 5/16-18x3/4"
262	29747B	Screw Torx T-40 5/16-24x21/32"
264A	650802	Screw, 1/4-20x5/8"
265	33272B	Cylinder Head Cover(Black)
275	35056	Muffler
276	31588	Locking Plate
277	651002	Screw 5/16-18x4-3/16"
281	33013	Starter Bubble Cover
282	650760	Screw 8-32x3/8"
285	35985B	Starter Cup
287	29752	Nut & Lock washer 1/4-28
290	30705	Fuel Line
292	26460	Fuel Line Clamp
298	650665	Screw 1/4-15 x 3/4"
300	34156A	Fuel Tank (Incl 292 & 301)
301	35355	Fuel Cap
305	35554	Oil Fill Tube
307	35499	"O" Ring
308	35540	Fill Tube Clip
310	36205	Dipstick
314	650873	Screw 1/4-20 x 3/4"
315	611111	Alternator Coll(18 Watt)(Incl 323)
323	611118	Terminal
325	29443	Wire Clip
327	35392	Starter Plug
328	35593	Ignition Key
329	610973	Terminal
335	35057A	Carburetor Cover
336	650765	Screw 10-32x1/2"
338	28942	Screw 10-32x3/8"
340	34154	Fuel Tank Bracket
341	34155	Fuel Tank Bracket
342	650561	Screw 1/4-20x5/8"
350	570682	Primer Bulb
351	32180C	Primer Line
355	590574	Starter Handle(Mitten Grip)
364	33377	Carburetor Cover Bracket
365	650767	Screw 8-32x27/64"
370	36261	Identification Decal
370B	35077	Control Decal
370C	36501	Primer Decal
370I	35878	Warning Decal
380	640054	Carburetor (Incl. 184)
390	590733	Rewind Starter
396	33329D	Electric Starter Motor Kit (Optional)
400	36452A	Gasket Set

**CRAFTSMAN 4-CYCLE ENGINE MODEL NUMBER: 143.981001**

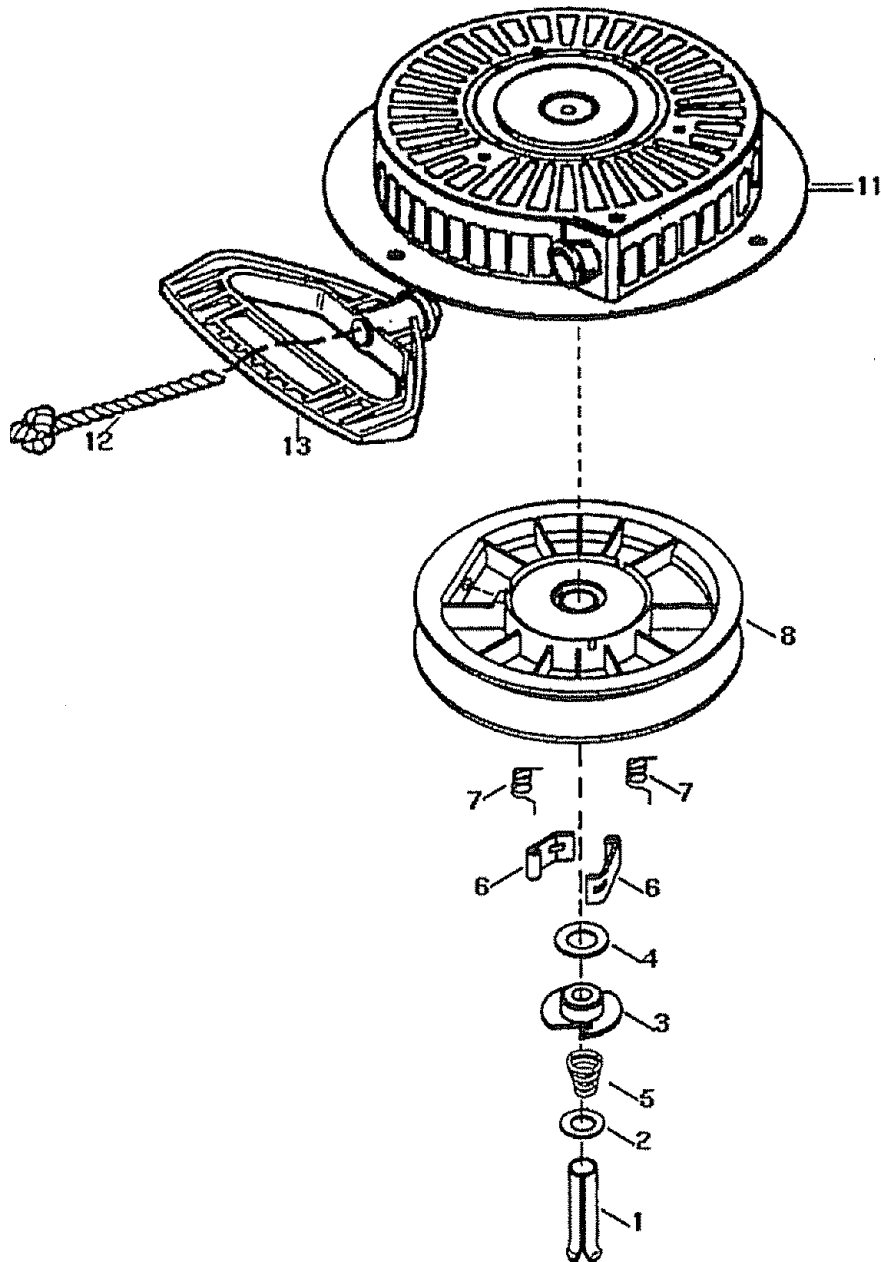
Starter No. 590733



REF. NO.	PART NO.	PART NAME
0	590733	Rewind Starter
1	590599A	Spring Pin (Incl. 4)
2	590600	Washer
3	590696	Retainer
4	590601	Washer
5	590697	Brake Spring
6	590698	Starter Dog
7	590699	Dog Spring
8	590709	Pulley & Rewind Sprg Assy
11	590734	Starter Housing Assy
12	590535	Starter Rope (Length 98"x9/64" dia)
13	590574	Mitten Grip Handle(not included with starter)

# RAFTSMAN 4-CYCLE ENGINE MODEL NUMBER: 143.981001

Starter No.590749



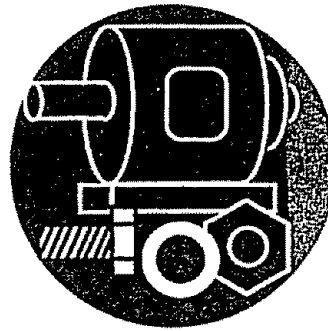
REF. NO.	PART NO.	PART NAME
0	590749	Rewind Starter
1	590599A	Spring Pin (Incl. 4)
2	590600	Washer
3	590679	Retainer
4	590601	Washer
5	590678	Brake Spring
6	590680	Starter Dog
7	590412	Dog Spring
8	590682	Pulley & Rewind Spring Assy.
11	590750	Starter Housing Assy.
12	590535	Starter Rope (lgth 98"x9/64")
13	590574	Mitten Grip Handle (Not included with starter)

For the repair or replacement parts you need delivered directly to your home  
Call 7 am-7 pm, 7 days a week

**1-800-366-PART**

(1-800-366-7278)

Para ordenar piezas con entrega a domicilio -1-800-659-7084



For in-house major brand repair service  
Call 24 hours a day, 7 days a week

**1-800-4-REPAIR**

(1-800-473-7247)

Para pedir servicio de reparación a domicilio - 1-800-676-5811



For the location of a Sears Parts and Repair Center in your area

Call 24 hours a day, 7 days a week

**1-800-488-1222**



For information on purchasing a Sears Maintenance Agreement or to inquire about an existing Agreement

Call 9 am -5pm, Monday-Saturday

**1-800-827-6655**



When requesting service or ordering parts, always provide the following information:

- Product Type
- Part Number
- Model Number
- Part Description

**SEARS**  
**REPAIR SERVICES**

*America's Repair Specialists*