

# Owner's Manual



## 5600 Watt AC Generator

Model No.  
580.325600



**HOURS: Mon. - Fri. 8 a.m. to 5 p.m. (CT)**

<b>CAUTION</b>
Before using this product, read this manual and follow all Safety Rules and Operating Instructions.

<b>PRECAUCIÓN</b>
Antes de utilizar el producto, lea este manual y siga todas las Reglas de Seguridad e Instrucciones de Uso.

- Safety
- Assembly
- Operation
- Maintenance
- Parts
- Español

**Sears, Roebuck and Co., Hoffman Estates, IL 60179 U.S.A.**  
Visit our Craftsman website: [www.craftsman.com](http://www.craftsman.com)

Part No. 191559GS Draft 10 (03/01/2005)



# TABLE OF CONTENTS

WARRANTY .....	2	TROUBLESHOOTING.....	17
SAFETY RULES .....	3-4	SCHEMATIC DIAGRAM .....	18
FEATURES AND CONTROLS .....	5	WIRING DIAGRAM .....	19
ASSEMBLY .....	6-7	REPLACEMENT PARTS .....	20-28
OPERATION .....	8-11	NOTES .....	29
SPECIFICATIONS.....	12	EMISSION CONTROL WARRANTY .....	30-31
MAINTENANCE.....	13-15	ESPAÑOL.....	32-51
STORAGE.....	16	HOW TO ORDER PARTS .....	BACK PAGE

## WARRANTY

### LIMITED WARRANTY FOR DELUXE PORTABLE GENERATORS

SEARS warrants to the original purchaser that the alternator and engine for its portable generator will be free from defects in materials or workmanship for the items and period set forth below from the date of original purchase. This warranty is not transferable and applies only to portable generators driven by the Sears warranted engine.

	CONSUMER*	COMMERCIAL*
Alternator	<b>2 years</b> (2nd year parts only)	<b>1 year</b>
Engine	<b>2 years</b> (2nd year parts only)	<b>1 year</b>

\* **NOTE:** For the purpose of this warranty "Consumer Use" means personal residential household and emergency use by original purchaser, not to be used as a primary source of power. "Commercial Use" means all other uses, including rental, construction, commercial, and income producing purposes. Once a generator has experienced commercial use, it shall thereafter be considered a commercial use generator for the purpose of this warranty.

During said warranty period, SEARS will, at its option, repair or replace any part which, upon examination by SEARS, is found to be defective under normal use and service\*\*. Starting batteries are not warranted by SEARS. All transportation costs under warranty, including return to the factory if necessary, are to be borne by the purchaser and prepaid by him. This warranty does not cover normal maintenance and service and does not apply to a generator set, alternator or engine, or parts which have been subjected to improper or unauthorized installation or alteration, misuse, negligence, accident, overloading, overspeeding, improper maintenance, repair or storage so as, in SEARS's judgment, to adversely affect its performance and reliability.

\*\* **NORMAL WEAR:** As with all mechanical devices, engines need periodic parts service and replacement to perform well. This warranty will not cover repair when normal use has exhausted the life of a part or engine.

THERE IS NO OTHER EXPRESS WARRANTY. SEARS HEREBY DISCLAIMS ANY AND ALL IMPLIED WARRANTIES, INCLUDING BUT NOT LIMITED TO THOSE OF MERCHANTABILITY AND FITNESS FOR A PARTICULAR PURPOSE TO THE EXTENT PERMITTED BY LAW. THE DURATION OF ANY IMPLIED WARRANTIES WHICH CANNOT BE DISCLAIMED IS LIMITED TO THE TIME PERIOD AS SPECIFIED IN THE EXPRESS WARRANTY. LIABILITY FOR CONSEQUENTIAL, INCIDENTAL, OR SPECIAL DAMAGES UNDER ANY AND ALL WARRANTIES IS EXCLUDED.

Some states do not allow limitations on how long an implied warranty lasts, or the exclusion or limitation of incidental or consequential damages, so the above limitations or exclusions may not apply to you. This warranty gives you specific legal rights and you may also have other rights, which vary from state to state.

For service, see your nearest SEARS authorized warranty service facility. Warranty service can be performed only by a SEARS authorized service facility. This warranty will not apply to service at any other facility. At the time of requesting warranty service, evidence of original purchase date must be presented.

**SEARS, ROEBUCK AND CO., Dept. D/817 WA, Hoffman Estates, IL 60179 U.S.A**

# SAFETY RULES



This is the safety alert symbol. It is used to alert you to potential personal injury hazards. Obey all safety messages that follow this symbol to avoid possible injury or death.



Read this manual carefully and become familiar with your generator. Know its applications, its limitations, and any hazards involved.

The safety alert symbol (▲) is used with a signal word (DANGER, CAUTION, WARNING), a pictorial and/or a safety message to alert you to hazards. **DANGER** indicates a hazard which, if not avoided, *will* result in death or serious injury. **WARNING** indicates a hazard which, if not avoided, *could* result in death or serious injury. **CAUTION** indicates a hazard which, if not avoided, *might* result in minor or moderate injury. **CAUTION**, when used **without** the alert symbol, indicates a situation that could result in equipment damage. Follow safety messages to avoid or reduce the risk of injury or death.

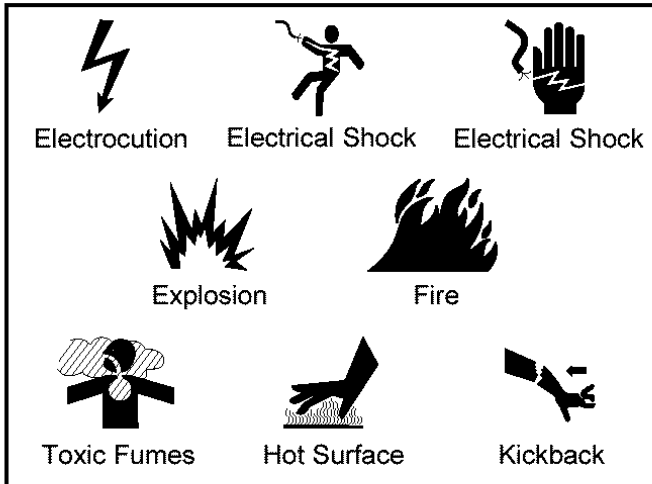
## ▲ WARNING

The engine exhaust from this product contains chemicals known to the State of California to cause cancer, birth defects, or other reproductive harm.

## ▲ WARNING

- This generator does not meet U. S. Coast Guard Regulation 33CFR-183 and should not be used on marine applications.
- Failure to use the appropriate U. S. Coast Guard approved generator could result in bodily injury and/or property damage.

## Hazard Symbols and Meanings



## ▲ WARNING



Running generator gives off carbon monoxide, an odorless, colorless, poison gas. Breathing carbon monoxide will cause nausea, fainting or death.

- Operate generator **ONLY** outdoors.
- Keep exhaust gas from entering a confined area through windows, doors, ventilation intakes or other openings.
- **DO NOT** operate generator inside any building or enclosure, including the generator compartment of a recreational vehicle (RV).

## ▲ WARNING



Generator produces powerful voltage. Failure to isolate generator from power utility can result in death or injury to electric utility workers due to backfeed of electrical energy.




- When using generator for backup power, notify utility company. Use approved transfer equipment to isolate generator from electric utility.
- Use a ground circuit fault interrupter (GFCI) in any damp or highly conductive area, such as metal decking or steel work.
- **DO NOT** touch bare wires or receptacles.
- **DO NOT** use generator with electrical cords which are worn, frayed, bare or otherwise damaged.
- **DO NOT** operate generator in the rain.
- **DO NOT** handle generator or electrical cords while standing in water, while barefoot, or while hands or feet are wet.
- **DO NOT** allow unqualified persons or children to operate or service generator.

## ▲ WARNING







Rapid retraction of starter cord (kickback) will pull hand and arm toward engine faster than you can let go. Broken bones, fractures, bruises or sprains could result.

- When starting engine, pull cord slowly until resistance is felt and then pull rapidly to avoid kickback.
- **NEVER** start or stop engine with electrical devices plugged in and turned on.

 <b>WARNING</b>	
	Fuel and its vapors are extremely flammable and explosive.
	Fire or explosion can cause severe burns or death.
<b>WHEN ADDING OR DRAINING FUEL</b>	
<ul style="list-style-type: none"> <li>• Turn generator OFF and let it cool at least 2 minutes before removing fuel cap. Loosen cap slowly to relieve pressure in tank.</li> <li>• Fill or drain fuel tank outdoors.</li> <li>• DO NOT overfill tank. Allow space for fuel expansion.</li> <li>• Keep fuel away from sparks, open flames, pilot lights, heat, and other ignition sources.</li> <li>• DO NOT light a cigarette or smoke.</li> </ul>	
<b>WHEN STARTING EQUIPMENT</b>	
<ul style="list-style-type: none"> <li>• Ensure spark plug, muffler, fuel cap and air cleaner are in place.</li> <li>• DO NOT crank engine with spark plug removed.</li> <li>• If fuel spills, wait until it evaporates before starting engine.</li> </ul>	
<b>WHEN OPERATING EQUIPMENT</b>	
<ul style="list-style-type: none"> <li>• Do not tip engine or equipment at angle which causes fuel to spill.</li> <li>• DO NOT choke carburetor to stop engine.</li> <li>• This generator is not for use in mobile equipment or marine applications.</li> </ul>	
<b>WHEN TRANSPORTING OR REPAIRING EQUIPMENT</b>	
<ul style="list-style-type: none"> <li>• Transport/repair with fuel tank EMPTY or with fuel shutoff valve OFF.</li> <li>• Disconnect spark plug wire.</li> </ul>	
<b>WHEN STORING FUEL OR EQUIPMENT WITH FUEL IN TANK</b>	
<ul style="list-style-type: none"> <li>• Store away from furnaces, stoves, water heaters, clothes dryers or other appliances that have pilot light or other ignition source because they can ignite fuel vapors.</li> </ul>	

 <b>WARNING</b>	
	Running engines produce heat. Temperature of muffler and nearby areas can reach or exceed 150°F (65°C).
	Severe burns can occur on contact. Combustible debris, such as leaves, grass, brush, ect. can catch fire.
<ul style="list-style-type: none"> <li>• DO NOT touch hot surfaces.</li> <li>• Allow equipment to cool before touching.</li> <li>• The generator must be at least 5 feet from structures having combustible walls and/or other combustible materials.</li> <li>• Keep at least 3 feet of clearance on all sides of generator for adequate cooling, maintenance and servicing.</li> <li>• In the State of California a spark arrester is required by law (Section 4442 of the California Public Resources Code). Other states may have similar laws. Federal laws apply on federal lands. If you equip the muffler with a spark arrester, it must be maintained in effective working order. You can order a spark arrester through your authorized Sears service dealer.</li> </ul>	

 <b>WARNING</b>	
	Unintentional sparking can result in fire or electric shock.
	
<b>WHEN ADJUSTING OR MAKING REPAIRS TO YOUR GENERATOR</b>	
<ul style="list-style-type: none"> <li>• Disconnect the spark plug wire from the spark plug and place the wire where it cannot contact spark plug.</li> </ul>	
<b>WHEN TESTING FOR ENGINE SPARK</b>	
<ul style="list-style-type: none"> <li>• Use approved spark plug tester.</li> <li>• DO NOT check for spark with spark plug removed.</li> </ul>	

 <b>CAUTION</b>	
Excessively high operating speeds increase risk of injury and damage to generator.	
Excessively low speeds impose a heavy load.	
<ul style="list-style-type: none"> <li>• DO NOT tamper with governed speed. Generator supplies correct rated frequency and voltage when running at governed speed.</li> <li>• DO NOT modify generator in any way.</li> </ul>	

<b>CAUTION</b>	
Exceeding generators wattage/amperage capacity can damage generator and/or electrical devices connected to it.	
<ul style="list-style-type: none"> <li>• See "Don't Overload Generator".</li> <li>• Start generator and let engine stabilize before connecting electrical loads.</li> <li>• Connect electrical loads in OFF position, then turn ON for operation.</li> <li>• Turn electrical loads OFF and disconnect from generator before stopping generator.</li> </ul>	

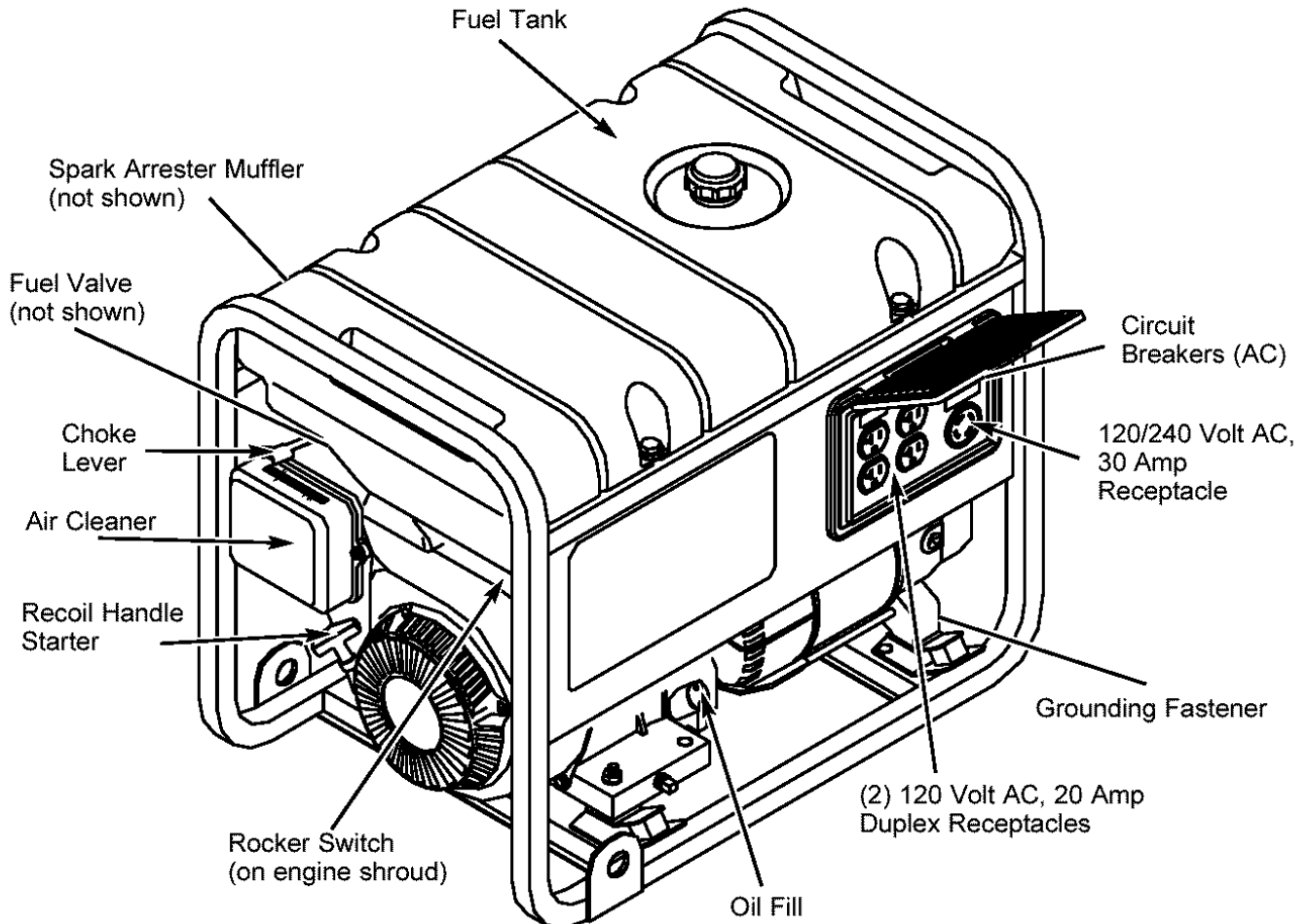
<b>CAUTION</b>	
Improper treatment of generator can damage it and shorten its life.	
<ul style="list-style-type: none"> <li>• Use generator only for intended uses.</li> <li>• If you have questions about intended use, ask dealer or contact Sears.</li> <li>• Operate generator only on level surfaces.</li> <li>• DO NOT expose generator to excessive moisture, dust, dirt, or corrosive vapors.</li> <li>• DO NOT insert any objects through cooling slots.</li> <li>• If connected devices overheat, turn them off and disconnect them from generator.</li> <li>• Shut off generator if:             <ul style="list-style-type: none"> <li>-electrical output is lost;</li> <li>-equipment sparks, smokes, or emits flames;</li> <li>-unit vibrates excessively.</li> </ul> </li> </ul>	

# FEATURES AND CONTROLS

## KNOW YOUR GENERATOR

Read the owner's manual and safety rules before operating your generator.

Compare the illustrations with your generator to familiarize yourself with the locations of various controls and adjustments. Save this manual for future reference.



**120 Volt AC, 20 Amp, Duplex Receptacles** — May be used to supply electrical power for the operation of 120 Volt AC, 20 Amp, single phase, 60 Hz electrical, lighting, appliance, tool and motor loads.

**120/240 Volt AC, 30 Amp Locking Receptacle** — May be used to supply electrical power for the operation of 120 and/or 240 Volt AC, 30 Amp, single phase, 60 Hz electrical, lighting, appliance, tool and motor loads.

**Air Cleaner** — Protects engine by filtering dust and debris out of intake air.

**Choke Lever** — Used when starting a cold engine.

**Circuit Breakers (AC)** — Push to reset circuit breakers are provided to protect the generator against electrical overload.

**Fuel Tank** — Capacity of five (5) U.S. gallons.

**Fuel Valve** — Used to turn fuel on and off to engine.

**Grounding Fastener** — If required, please consult a qualified electrician, electrical inspector, or local agency having jurisdiction.

**Oil Fill** — Add engine oil here.

**Recoil starter** — Used to start the engine.

**Rocker Switch** — Set this switch to "On" before using recoil starter. Set switch to "Off" to switch off engine.

**Spark Arrester Muffler** — Exhaust muffler lowers engine noise and is equipped with a spark arrester screen.

# ASSEMBLY

Your Craftsman generator requires some assembly and is ready for use only after it has been properly serviced with the recommended oil and fuel.

**If you have any problems with the assembly of your generator, please call the generator helpline at 1-800-222-3136.**

**IMPORTANT:** Any attempt to run the engine before it has been serviced with the recommended oil will result in an engine failure.

## REMOVE GENERATOR FROM CARTON

- Set the carton on a rigid flat surface with "up" arrows pointing upward.
- Carefully open the top flaps of the shipping carton.
- Slice two corners at one end of carton from top to bottom and lay that side of carton down flat.
- Remove all packing material, carton fillers, etc.
- Remove the generator from the shipping carton.

## CARTON CONTENTS

Check all contents. If any parts are missing or damaged, call the generator helpline at **1-800-222-3136**.

- The main unit
- Owner's manual
- Engine oil
- 120/240 Volt, 30 Amp locking plug
- Wheel Kit

## ASSEMBLING THE WHEEL KIT

The wheel kit is designed to greatly improve the portability of your generator.

**NOTE:** Wheel kit is not intended for over-the-road use.

You will need a socket wrench with 1/2" or 13mm sockets and a needle-nose plier to install this kit.

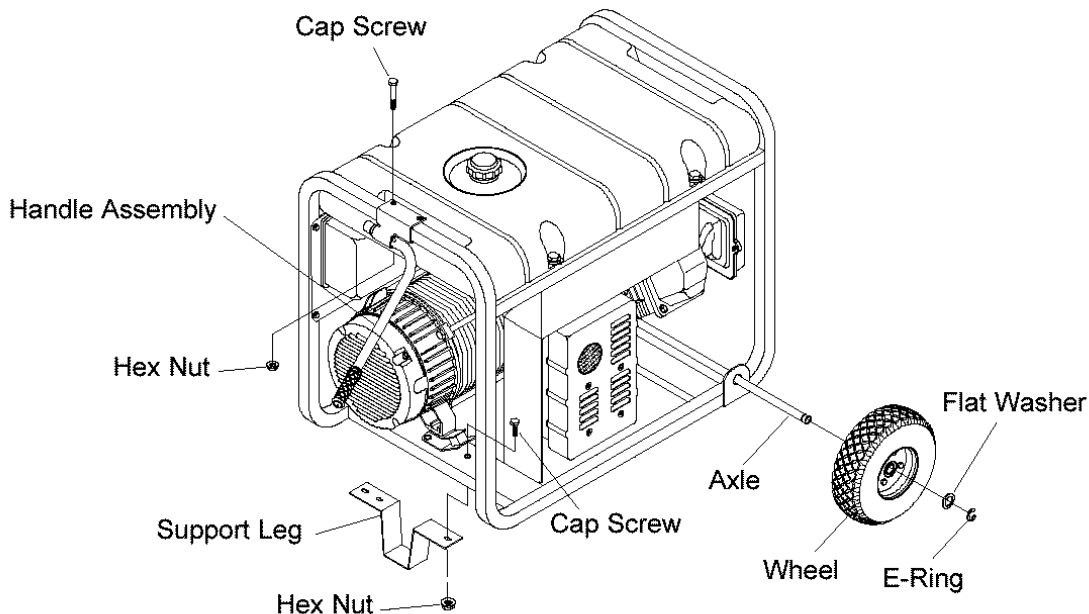
**Refer to illustration shown below and install the wheel kit as follows:**

1. Place the bottom of the generator cradle on a flat, even surface. Temporarily place unit on blocks to ease assembly.
2. Slide axle through both axle mounting brackets on cradle frame, as shown.
3. Slide a wheel over the axle.

**NOTE:** Be sure to install both wheels with the air pressure valve on the outboard side.

4. Place the e-ring onto the groove in the axle. You may add the flat washer if desired.
5. Place one end of the needle nose pliers on the bottom of the axle and the other end of the pliers on top of the e-ring. Seat the e-ring by pressing the pliers closed.
6. Repeat step 3 through 5 to secure second wheel.
7. Remove the temporary blocks.
8. To aid support leg assembly, rest generator on cradle, engine end down. Attach the support leg with two M8 x 16mm cap screws and two locking hex nuts as shown.
9. Use two 13 mm wrenches to tighten leg hardware. Rest generator on wheels and support leg.
10. Center the handle bracket on generator frame at support leg end of cradle, as shown.
11. Attach handle bracket with two M8 x 45mm cap screws and two locking hex nuts.
12. Check that all fasteners are tight and the tires are inflated to the value marked on the tire or within 15 and 40 psi.

## Wheel Kit Assembly View



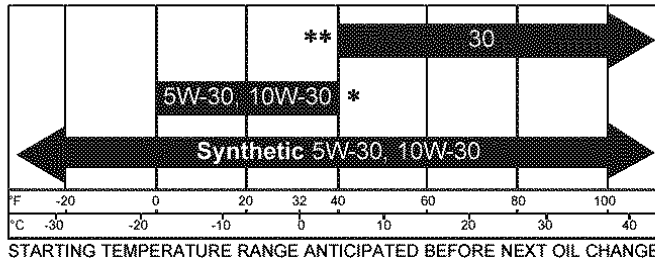
## BEFORE STARTING THE GENERATOR

To operate the generator you will need to first add engine oil and gasoline, as follows:

### Add Engine Oil

**NOTE:** When adding oil to the engine crankcase, use only high quality detergent oil rated with API service classification SF, SG, SH, SJ or higher. DO NOT use special additives.

1. Choose a viscosity according to the table below:



**NOTE:** Synthetic oil meeting ILSAC GF-2, API certification mark and API service symbol with "SJ/CF ENERGY CONSERVING" or higher, is an acceptable oil at all temperatures. Use of synthetic oil does not alter required oil change intervals.



\* The use of multi-viscosity oils (5W-30, 10W-30, etc.) in temperatures above 40°F (4°C) will result in higher than normal oil consumption. When using a multi-viscosity oil, check oil more frequently.

\*\* If using SAE 30 oil in temperatures below 40°F (4°C), it will result in hard starting and possible engine bore damage due to inadequate lubrication.

- Place generator on a level surface.
- Clean area around yellow oil fill cap. Remove oil fill cap.
- Slowly fill engine with oil through oil fill opening until oil level is to the point of overflowing.
- Install yellow oil fill cap and finger tighten securely.
- Check engine oil level before starting each time thereafter. If oil level is below the point of overflowing, fill to proper level.

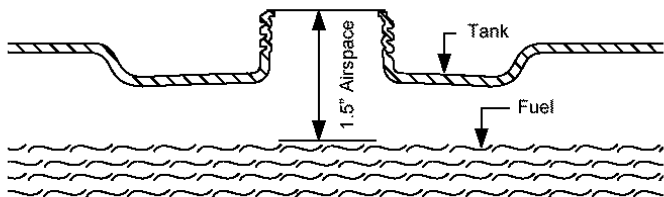
**NOTE:** Check oil often during engine break-in.

### Add Fuel

<b>WARNING</b>	
	Fuel and its vapors are extremely flammable and explosive.
	Fire or explosion can cause severe burns or death.
<b>WHEN ADDING FUEL</b>	
<ul style="list-style-type: none"> <li>Turn generator OFF and let it cool at least 2 minutes before removing fuel cap. Loosen cap slowly to relieve pressure in tank.</li> <li>Fill fuel tank outdoors.</li> <li>DO NOT overfill tank. Allow space for fuel expansion.</li> <li>Keep fuel away from sparks, open flames, pilot lights, heat, and other ignition sources.</li> <li>DO NOT light a cigarette or smoke.</li> </ul>	

**NOTE:** This gasoline engine is certified to operate on gasoline. Exhaust Emission Control System: EM (Engine Modifications).

- Use clean, fresh, regular UNLEADED fuel with a minimum of 85 octane with equipment. DO NOT use fuel which contains Methanol. DO NOT mix oil with fuel.
- Clean area around fuel fill cap, remove cap.
- Slowly add regular unleaded fuel to fuel tank. Be careful not to overfill. Allow about 1.5" of tank space for fuel expansion, as shown here.



- Install fuel cap and wipe up any spilled fuel.

**CAUTION!** Alcohol-blended fuels (called gasohol, ethanol or methanol) can attract moisture, which leads to separation and formation of acids during storage. Acidic gas can damage the fuel system of an engine while in storage.

To avoid engine problems, the fuel system should be emptied before storage of 30 days or longer. Drain the fuel tank, start the engine and let it run until the fuel lines and carburetor are empty. Use fresh fuel next season. See "Storage" on page 16 for additional information.

NEVER use engine or carburetor cleaner products in the fuel tank as permanent damage may occur.

# OPERATION

## HOW TO USE YOUR GENERATOR

If you have any problems operating your generator, please call the generator helpline at **1-800-222-3136**.

### System Ground

The generator has a system ground that connects the generator frame components to the ground terminals on the AC output receptacles. The system ground is connected to the AC neutral wire (the neutral is bonded to the generator frame).



### Special Requirements

There may be Federal or State Occupational Safety and Health Administration (OSHA) regulations, local codes, or ordinances that apply to the intended use of the generator. Please consult a qualified electrician, electrical inspector, or the local agency having jurisdiction.

- In some areas, generators are required to be registered with local utility companies.
- If the generator is used at a construction site, there may be additional regulations which must be observed.



### Connecting to a Building's Electrical System

Connections for standby power to a building's electrical system must be made by a qualified electrician. The connection must isolate the generator power from utility power, and must comply with all applicable laws and electrical codes.

	<b>WARNING</b>
	Generator produces powerful voltage. Failure to isolate generator from power utility can result in death or injury to electric utility workers due to backfeed of electrical energy.
<ul style="list-style-type: none"><li>• When using generator for backup power, notify utility company. Use approved transfer equipment to isolate generator from electric utility.</li><li>• Use a ground circuit fault interrupter (GFCI) in any damp or highly conductive area, such as metal decking or steel work.</li><li>• DO NOT touch bare wires or receptacles.</li><li>• DO NOT use generator with electrical cords which are worn, frayed, bare or otherwise damaged.</li><li>• DO NOT operate generator in the rain.</li><li>• DO NOT handle generator or electrical cords while standing in water, while barefoot, or while hands or feet are wet.</li><li>• DO NOT allow unqualified persons or children to operate or service generator.</li></ul>	

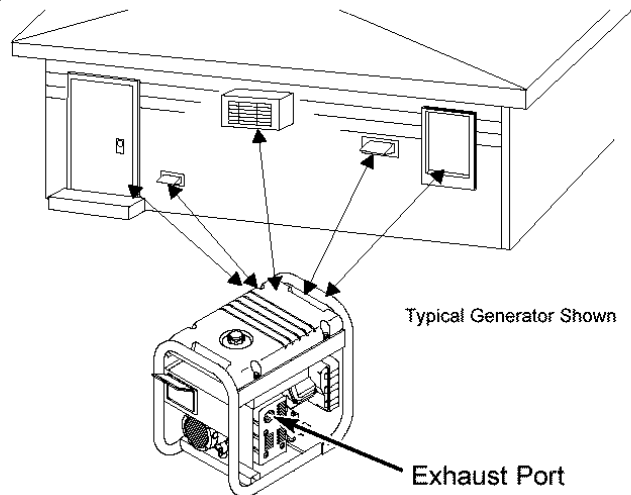
## Generator Location

### Generator Clearance

 <b>WARNING</b>	
	Running generator gives off carbon monoxide, an odorless, colorless, poison gas. Breathing carbon monoxide will cause nausea, fainting or death.
<ul style="list-style-type: none"><li>• Operate generator ONLY outdoors.</li><li>• Keep exhaust gas from entering a confined area through windows, doors, ventilation intakes or other openings.</li><li>• DO NOT operate generator inside any building or enclosure, including the generator compartment of a recreational vehicle (RV).</li></ul>	

The generator must be at least 5 ft. (152 cm) from structures having combustible walls and/or other combustible materials. Leave at least 3 ft. (92 cm) all around generator including overhead, for adequate cooling, maintenance and servicing.

Place generator in a well ventilated area, which will allow for removal of deadly exhaust gas. DO NOT place generator where exhaust gas could accumulate and enter inside or be drawn into a potentially occupied building. Ensure exhaust gas is kept away from any windows, doors, ventilation intakes or other openings that can allow exhaust gas to collect in a confined area. Prevailing winds and air currents should be taken into consideration when positioning generator.





## TO START THE ENGINE

### CAUTION

Exceeding generator wattage/amperage capacity can damage generator and/or electrical devices connected to it.

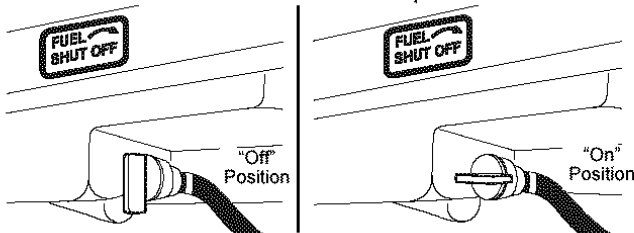
- See "Don't Overload Generator".
- Start generator and let engine stabilize before connecting electrical loads.
- Connect electrical loads in OFF position, then turn ON for operation.
- Turn electrical loads OFF and disconnect from generator before stopping generator.

Disconnect all electrical loads from the generator. Use the following start instruction steps by numerical order:

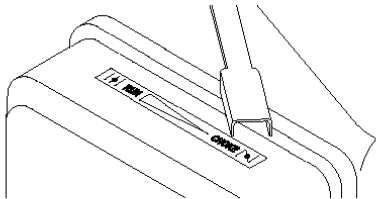
1. Make sure unit is on a level surface.

**IMPORTANT:** Failure to start and operate unit on a level surface will cause the unit not to start or shut down during operation.

2. Turn the fuel valve to the "On" position.

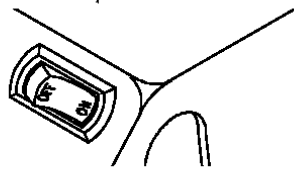


3. Place the choke lever in the "Choke" position.



4. Set the rocker switch to "On" position.

Rocker Switch is shown in the On position



5. Grasp the recoil handle and pull slowly until slight resistance is felt. Then pull rapidly to start engine.

### WARNING



Rapid retraction of starter cord (kickback) will pull hand and arm toward engine faster than you can let go. Broken bones, fractures, bruises or sprains could result.

- When starting engine, pull cord slowly until resistance is felt and then pull rapidly to avoid kickback.
- NEVER start or stop engine with electrical devices plugged in and turned on.

**IMPORTANT:** If engine floods, place choke lever in "Run" position and crank until engine starts.

6. Move choke lever to "Run" position a short distance at a time over several seconds in warm weather or minutes in cold weather. Let engine run smoothly before each change. Operate with choke in "Run" position.

**NOTE:** If engine starts after 3 pulls but fails to run, or if unit shuts down during operation, make sure unit is on a level surface and check for proper oil level in crankcase. This unit may be equipped with a low oil protection device.



### WARNING



Running engines produce heat. Temperature of muffler and nearby areas can reach or exceed 150°F (65°C).



Severe burns can occur on contact. Combustible debris, such as leaves, grass, brush, ect. can catch fire.

- DO NOT touch hot surfaces.
- Allow equipment to cool before touching.
- The generator must be at least 5 feet from structures having combustible walls and/or other combustible materials.
- Keep at least 3 feet of clearance on all sides of generator for adequate cooling, maintenance and servicing.
- In the State of California a spark arrester is required by law (Section 4442 of the California Public Resources Code). Other states may have similar laws. Federal laws apply on federal lands. If you equip the muffler with a spark arrester, it must be maintained in effective working order. You can order a spark arrester through your authorized Sears service dealer.

## To Stop the Engine

1. Unplug all electrical loads from generator panel receptacles. NEVER start or stop engine with electrical devices plugged in and turned on.
2. Let engine run at no-load for several minutes to stabilize internal temperatures of engine and generator.
3. Move rocker switch to "Off" position.
4. Move fuel valve to "Off" position.

### CAUTION

DO NOT stop engine by moving choke lever to "Choke" position. Backfire, fire or engine damage could occur.

## Connecting Electrical Loads

- DO NOT connect 240 Volt loads to 120 Volt receptacles.
- DO NOT connect 3-phase loads to generator.
- DO NOT connect 50 Hz loads to generator.
- Let engine stabilize and warm up for a few minutes after starting.
- Plug in and turn on desired 120 and/or 240 Volt AC, single phase, 60 Hz electrical loads.
- DO NOT OVERLOAD THE GENERATOR. See "Don't Overload Generator".

## CORD SETS AND RECEPTACLES

Use only high quality, well-insulated, extension cords with the generator's 120 Volt electrical receptacles.



### CAUTION

Receptacles may be marked with rating value greater than generator output capacity.

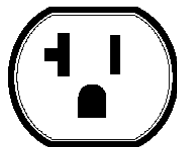
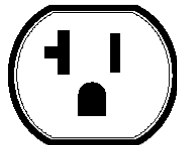
- NEVER attempt to power a device requiring more amperage than generator or receptacle can supply.
- DO NOT overload the generator. See "Don't Overload Generator".

Check the ratings of all extension cords before you use them. Extension cord sets used should be rated for 125 Volt AC loads at 20 Amps or greater for most electrical devices. Some devices, however, may not require this type of extension cord. Check the owner's manuals of those devices for the manufacturer's recommendations.

Keep extension cords as short as possible, preferably less than 15 feet long, to prevent voltage drop and possible overheating of wires.

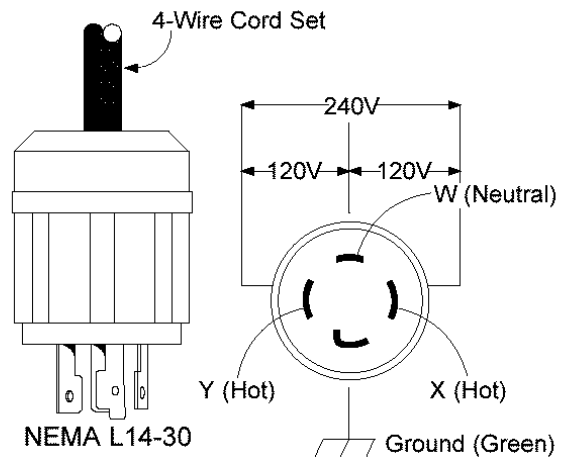
### 120 Volt AC, 20 Amp Duplex Receptacle

Each receptacle is protected against overload by a single 20 Amp push-to-reset circuit breaker. Use each receptacle to operate 120 Volt AC, single phase 60 Hz electrical loads requiring up to 2,400 watts (2.4 kW) at 20 Amps of current.



### 120/240 Volt AC, 30 Amp Receptacle

This is a full capacity receptacle; it can supply the generator's full rated output from this sole outlet. The outlet is protected by two 20 Amp push-to-reset circuit breakers.



A NEMA L14-30 plug is used with this 240 Volt receptacle. Connect a suitable 4-wire cord set to the plug and to the desired load. The cord set should be rated for 250 Volt AC loads at 30 Amps (or greater).

# DON'T OVERLOAD GENERATOR

## Capacity

You must make sure your generator can supply enough rated (running) and surge (starting) watts for the items you will power at the same time. Follow these simple steps:

1. Select the items you will power at the same time.
2. Total the rated (running) watts of these items. This is the amount of power your generator must produce to keep your items running. See the table on the right.
3. Estimate how many surge (starting) watts you will need. Surge wattage is the short burst of power needed to start electric motor-driven tools or appliances such as a circular saw or refrigerator. Because not all motors start at the same time, total surge watts can be estimated by adding only the item(s) with the highest additional surge watts to the total rated watts from step 2.

### Example:

Tool or Appliance	Rated (Running) Watts	Additional Surge (Starting) Watts
Window Air Conditioner	1200	1800
Refrigerator	800	1600
Deep Freezer	500	500
Television	500	-
Light (75 Watts)	75	-
	3075 Total Running Watts	1800 Highest Surge Watts

Total Rated (Running) Watts = 3075  
 Highest Additional Surge Watts = 1800  
 Total Generator Output Required = 4875

## Power Management

To prolong the life of your generator and attached devices, it is important to take care when adding electrical loads to your generator. There should be nothing connected to the generator outlets before starting it's engine. The correct and safe way to manage generator power is to sequentially add loads as follows:

1. With nothing connected to the generator, start the engine as described in this manual.
2. Plug in and turn on the first load, preferably the largest load you have.
3. Permit the generator output to stabilize (engine runs smoothly and attached device operates properly).

4. Plug in and turn on the next load.
5. Again, permit the generator to stabilize.
6. Repeat steps 4 and 5 for each additional load.

NEVER add more loads than the generator capacity. Take special care to consider surge loads in generator capacity, as described above.

Tool or Appliance	Rated* (Running) Watts	Additional Surge (Starting) Watts
<b>Essentials</b>		
Light Bulb - 75 watt	75	-
Deep Freezer	500	500
Sump Pump	800	1200
Refrigerator/Freezer - 18 Cu. Ft.	800	1600
Water Well Pump - 1/3 HP	1000	2000
<b>Heating/Cooling</b>		
Window AC - 10,000 BTU	1200	1800
Window Fan	300	600
Furnace Fan Blower - 1/2 HP	800	1300
<b>Kitchen</b>		
Microwave Oven - 1000 Watt	1000	-
Coffee Maker	1500	-
Electric Stove - Single Element	1500	-
Hot Plate	2500	-
<b>Family Room</b>		
DVD/CD Player	100	-
VCR	100	-
Stereo Receiver	450	-
Color Television - 27"	500	-
Personal Computer w/17" monitor	800	-
<b>Other</b>		
Security System	180	-
AM/FM Clock Radio	300	-
Garage Door Opener - 1/2 HP	480	520
Electric Water Heater - 40 Gallon	4000	-
<b>DIY/Job Site</b>		
Quartz Halogen Work Light	1000	-
Airless Sprayer - 1/3 HP	600	1200
Reciprocating Saw	960	960
Electric Drill - 1/2 HP	1000	1000
Circular Saw - 7 1/4"	1500	1500
Miter Saw - 10"	1800	1800
Table Planer - 6"	1800	1800
Table Saw/Radial Arm Saw - 10"	2000	2000
Air Compressor - 1-1/2 HP	2500	2500

\*Wattages listed are approximate only. Check tool or appliance for actual wattage.

# SPECIFICATIONS

## ENGINE TECHNICAL INFORMATION

This is a single cylinder, overhead valve(OHV), air cooled engine. It is a low emissions engine.

In the State of California, Model Series 200000 engines are certified by the California Air Resources Board to meet emissions standards for 250 hours. Such certification does not grant the purchaser, owner or operator of this engine any additional warranties with respect to the performance or operational life of this engine. The engine is warranted solely according to the product and emissions warranties stated elsewhere in this manual.

### Power Ratings

The power ratings for an individual engine model are initially developed by starting with SAE (Society of Automotive Engineers) code J1940 (Small Engine Power & Torque Rating Procedure) (Revision 2002-05). Given both the wide array of products on which our engines are placed, and the variety of environmental issues applicable to operating the equipment, it may be that the engine you have purchased will not develop the rated horsepower when used in a piece of power equipment (actual "on-site" power). This difference is due to a variety of factors including, but not limited to, the following: differences in altitude, temperature, barometric pressure, humidity, fuel, engine lubrication, maximum governed engine speed, individual engine to engine variability, design of the particular piece of power equipment, the manner in which the engine is operated, engine run-in to reduce friction and clean out of combustion chambers, adjustments to the valves and carburetor, and other factors. The power ratings may also be adjusted based on comparisons to other similar engines utilized in similar applications, and will therefore not necessarily match the values derived using the foregoing codes.

## PRODUCT SPECIFICATIONS

### Generator Specifications

Rated Maximum Power	5600 Watts (5.6 kW)
Surge Power	8600 Watts (8.6 kW)
Rated AC Voltage	120/240 Volts
Rated Maximum AC Current	
at 240 Volts	23.3 Amperes
at 120 Volts	46.6 Amperes
Rated Frequency	60 Hz at 3600 rpm
Phase	Single Phase
Unit Weight	170 lbs.

### Engine Specifications

Rated Horsepower	10 at 3600 rpm
Bore	3.12 in. (79mm)
Stroke	2.44 in. (62mm)
Displacement	18.64 in. (305 cc)
Spark Plug	
Type:	Champion RC12YC or Equivalent
Set Gap To:	0.030inch (0.76mm)
Armature Air Gap:	0.008-0.012 in. (0.20-0.30mm)
Valve clearance with valve springs installed and piston 1/4 in. (6 mm) past top dead center (check when engine is cold).	
Intake	0.004-0.006 in. (0.10-0.15 mm)
Exhaust	0.004-0.006 in. (0.10-0.15 mm)
Fuel Capacity	5 U.S. gallons
Oil Capacity	.28 Ounces (.8 Liters)
Oil Type:	
Above 40° F	Sae 30
Below 40° F	SAE 5W-30 or 10W-30

# MAINTENANCE

## OWNER'S RESPONSIBILITIES

Follow the hourly or calendar intervals, whichever occurs first.  
More frequent service is required when operating in adverse conditions noted below.

MAINTENANCE SCHEDULE FILL IN DATES AS YOU COMPLETE REGULAR SERVICE	SERVICE DATES				SERVICE DATES		
	Before Each Use	Every 25 Hours or Yearly	Every 50 Hours or Yearly	Every 100 Hours or Yearly			
Check oil level	X						
Clean debris	X						
Change engine oil			X <sup>1</sup>				
Service air cleaner		X <sup>2</sup>					
Service spark plug				X			
Service spark arrester				X			
Clean cooling system				X <sup>2</sup>			
Prepare for storage	If unit is to remain idle for longer than 30 days.						

- <sup>1</sup> Change oil after the first (5) operating hours and every 50 hours or every year, whichever occurs first, thereafter.  
Change sooner when operating under dirty or dusty conditions.
- <sup>2</sup> Clean or replace more often under dirty or dusty conditions.

## GENERAL RECOMMENDATIONS

Regular maintenance will improve the performance and extend the life of the generator. See any authorized Sears dealer for service.

The generator's warranty does not cover items that have been subjected to operator abuse or negligence. To receive full value from the warranty, the operator must maintain generator as instructed in this manual.

Some adjustments will need to be made periodically to properly maintain your generator.

All service and adjustments should be made at least once each season. Follow the requirements in the "Maintenance Schedule" chart above.

**NOTE:** Once a year you should clean or replace the spark plug and replace the air filter. A new spark plug and clean air filter assure proper fuel-air mixture and help your engine run better and last longer.

## EMISSION CONTROL

Maintenance, replacement or repair of the emission control devices and systems may be performed by any non-road engine repair establishment or individual.

## GENERATOR MAINTENANCE

Generator maintenance consists of keeping the unit clean and dry. Operate and store the unit in a clean dry environment where it will not be exposed to excessive dust, dirt, moisture or any corrosive vapors. Cooling air slots in the generator must not become clogged with snow, leaves, or any other foreign material.

Check the cleanliness of the generator frequently and clean when dust, dirt, oil, moisture or other foreign substances are visible on its exterior surface.

**NOTE:** DO NOT use a garden hose to clean generator. Water can enter the engine fuel system and cause problems. In addition, if water enters the generator through cooling air slots, some of the water will be retained in voids and cracks of the rotor and stator winding insulation. Water and dirt buildup on the generator internal windings will eventually decrease the insulation resistance of these windings.

## Generator Cleaning

Daily or before use, clean accumulated debris from generator. Keep linkage, spring and controls clean. Keep area around and behind muffler free from any combustible debris.

Generator parts should be kept clean to reduce the risk of overheating and ignition of accumulated debris.

- Use a damp cloth to wipe exterior surfaces clean.

### CAUTION

Improper treatment of generator can damage it and shorten its life.

- DO NOT expose generator to excessive moisture, dust, dirt, or corrosive vapors.
- DO NOT insert any objects through cooling slots.
- Use a soft bristle brush to loosen caked on dirt, oil, etc.
- Use a vacuum cleaner to pick up loose dirt and debris.
- Use low pressure air (not to exceed 25 psi) to blow away dirt. Inspect cooling air slots and openings on the generator. These openings must be kept clean and unobstructed.

## ENGINE MAINTENANCE



### WARNING



Unintentional sparking can result in fire or electric shock.



#### WHEN ADJUSTING OR MAKING REPAIRS TO YOUR GENERATOR

- Disconnect the spark plug wire from the spark plug and place the wire where it cannot contact spark plug.

#### WHEN TESTING FOR ENGINE SPARK

- Use approved spark plug tester.
- DO NOT check for spark with spark plug removed.

### Checking Oil Level

Oil level should be checked prior to each use or at least every 5 hours of operation. Keep oil level maintained.

### Changing Engine Oil

Change the oil after the first 5 hours of operation. Change oil every 50 hours thereafter. If you are using your generator under extremely dirty or dusty conditions, or in extremely hot weather, change the oil more often.



### CAUTION

Avoid prolonged or repeated skin contact with used motor oil.

- Used motor oil has been shown to cause skin cancer in certain laboratory animals.
- Thoroughly wash exposed areas with soap and water.



KEEP OUT OF REACH OF CHILDREN.  
DON'T POLLUTE. CONSERVE  
RESOURCES. RETURN USED OIL TO  
COLLECTION CENTERS.

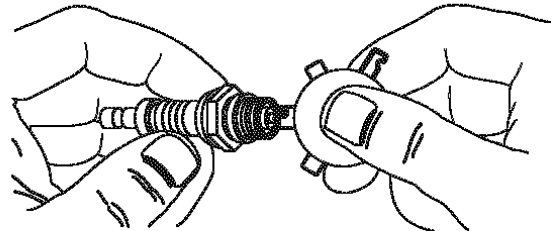
#### Change the oil while the engine is still warm from running, as follows:

1. Clean area around oil drain plug. The oil drain plug is located at base of engine, opposite carburetor.
2. Remove oil drain plug and oil fill cap and drain oil completely into a suitable container.
3. Install oil drain plug and tighten securely.
4. Fill oil sump with recommended oil to the point of overflowing. See page 7 for oil recommendations.
5. Install oil cap. Tighten cap securely.
6. Wipe up any spilled oil.

### Clean/Replace Spark Plug

Change the spark plug every 100 hours of operation or once each year, whichever comes first. This will help your engine to start easier and run better.

1. Clean area around spark plug.
2. Remove and inspect spark plug.
3. Check electrode gap with wire feeler gauge and set spark plug gap to 0.030 inch (0.76mm) if necessary.



4. Replace spark plug if electrodes are pitted, burned or porcelain is cracked. Use a recommended replacement plug.

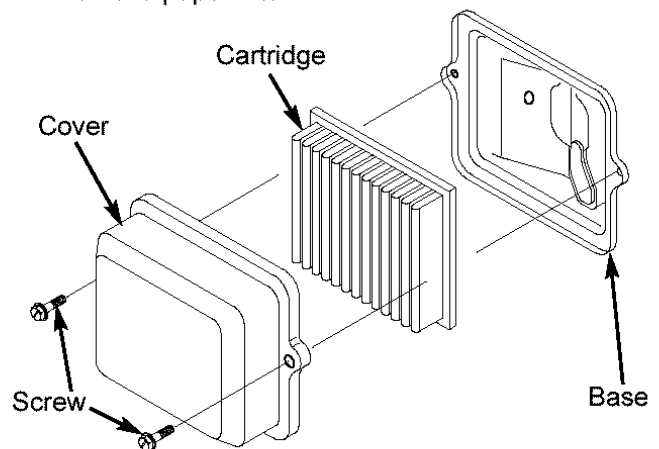
**NOTE:** You can purchase a new spark plug by calling **1-800-366-PART**.

### Service Air Cleaner

Your engine will not run properly and may be damaged if you run it using a dirty air cleaner. Clean or replace the air cleaner paper filter once every 25 hours of operation or once a year, whichever comes first. Clean or replace more often if operating under dusty or dirty conditions.

#### Service Air Filter

1. Loosen screws and remove air cleaner cover. Remove paper filter.



2. Install clean (or new) air cleaner assembly inside cover. Dispose of old filter properly.
3. Assemble air cleaner cover onto base and tighten screws.



**NOTE:** You can purchase new air cleaner elements by calling **1-800-366-PART**.

## Carburetor

If you think your carburetor needs adjusting, see your nearest Sears service center. Engine performance may be affected at altitudes above 3000 feet. For operation at higher elevations, contact your nearest Sears service center.

## Clean Spark Arrester Screen

The engine exhaust muffler has a spark arrester screen. Inspect and clean the screen every 100 hours of operation or once each year, whichever comes first.

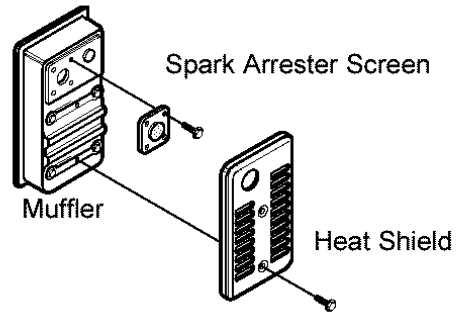
 <b>WARNING</b>	
	Running engines produce heat. Temperature of muffler and nearby areas can reach or exceed 150°F (65°C).
	Severe burns can occur on contact. Combustible debris, such as leaves, grass, brush, ect. can catch fire.
<ul style="list-style-type: none"><li>• DO NOT touch hot surfaces.</li><li>• Allow equipment to cool before touching.</li><li>• The generator must be at least 5 feet from structures having combustible walls and/or other combustible materials.</li><li>• Keep at least 3 feet of clearance on all sides of generator for adequate cooling, maintenance and servicing.</li><li>• In the State of California a spark arrester is required by law (Section 4442 of the California Public Resources Code). Other states may have similar laws. Federal laws apply on federal lands. If you equip the muffler with a spark arrester, it must be maintained in effective working order.</li></ul>	

**NOTE:** You can purchase a new spark arrester screen by calling **1-800-366-PART**.

If you use your generator on any forest-covered, brush-covered, or grass-covered unimproved land, it must have a spark arrester. The spark arrester must be maintained in good condition by the owner/operator.

## Clean and inspect the spark arrester as follows:

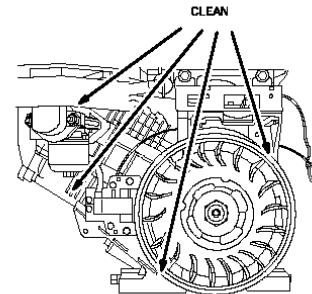
1. To remove muffler heat shield from muffler, remove four screws that connect guard to muffler bracket.



2. Remove four screws that attach spark arrester screen.
3. Inspect screen and replace if torn, perforated or otherwise damaged. DO NOT use a defective screen. If screen is not damaged, clean it with commercial solvent.
4. Reattach screen and muffler guard.

## Air Cooling System

Over time debris may accumulate in cylinder cooling fins and cannot be observed without partial engine disassembly. For this reason, we recommend you have an authorized Sears service dealer clean the cooling system per recommended intervals (see "Maintenance Schedule" on page 13). Equally important is to keep top of engine free from debris. See "Generator Cleaning".



# STORAGE




## GENERAL

The generator should be started at least once every seven days and allowed to run at least 30 minutes. If this cannot be done and you must store the unit for more than 30 days, use the following information as a guide to prepare it for storage.

## Long Term Storage Instructions

It is important to prevent gum deposits from forming in essential fuel system parts, such as the carburetor, fuel filter, fuel hose or tank during storage. Also, experience indicates that alcohol-blended fuels (called gasohol, ethanol or methanol) can attract moisture, which leads to separation and formation of acids during storage. Acidic fuel can damage the fuel system of an engine while in storage.

To avoid engine problems, the fuel system should be emptied before storage of 30 days or longer. Follow these instructions:

 <b>WARNING</b>	
	Fuel and its vapors are extremely flammable and explosive.
	Fire or explosion can cause severe burns or death.
<b>WHEN STORING FUEL OR EQUIPMENT WITH FUEL IN TANK</b>	
<ul style="list-style-type: none"><li>• Store away from furnaces, stoves, water heaters, clothes dryers or other appliances that have pilot light or other ignition source because they can ignite fuel vapors.</li></ul>	
<b>WHEN DRAINING FUEL</b>	
<ul style="list-style-type: none"><li>• Turn generator OFF and let it cool at least 2 minutes before removing fuel cap. Loosen cap slowly to relieve pressure in tank.</li><li>• Drain fuel tank outdoors.</li><li>• Keep fuel away from sparks, open flames, pilot lights, heat, and other ignition sources.</li><li>• DO NOT light a cigarette or smoke.</li></ul>	

## Protect Fuel System




1. Remove all gasoline from fuel tank to prevent gum deposits from forming on these parts and causing possible malfunction of engine.
2. Run engine until engine stops from lack of fuel.

## Change Oil

While engine is still warm, drain oil from crankcase. Refill with recommended grade.

## Oil Cylinder Bore

- Remove spark plug and pour about 1 ounce (30ml) of clean engine oil into the cylinder.
- Install spark plug and crank slowly to distribute oil.

 <b>WARNING</b>	
	Unintentional sparking can result in fire or electric shock.
	
<ul style="list-style-type: none"><li>• NEVER crank engine with spark plug removed.</li></ul>	

## Generator

1. Clean generator as outlined in "Generator Cleaning".
2. Check that cooling air slots and openings on generator are open and unobstructed.

## Other Storage Tips

1. DO NOT store fuel from one season to another.
2. Replace fuel can if it starts to rust. Contaminated fuel will cause engine problems.
3. If possible, store unit indoors and cover it to give protection from dust and dirt. **BE SURE TO EMPTY FUEL TANK.**
4. Cover unit with a suitable protective cover that does not retain moisture.
5. Store generator in clean, dry area.

 <b>WARNING</b>	
Storage covers can be flammable.	
<ul style="list-style-type: none"><li>• DO NOT place a storage cover over a hot generator.</li><li>• Let equipment cool for a sufficient time before placing the cover on the equipment.</li></ul>	

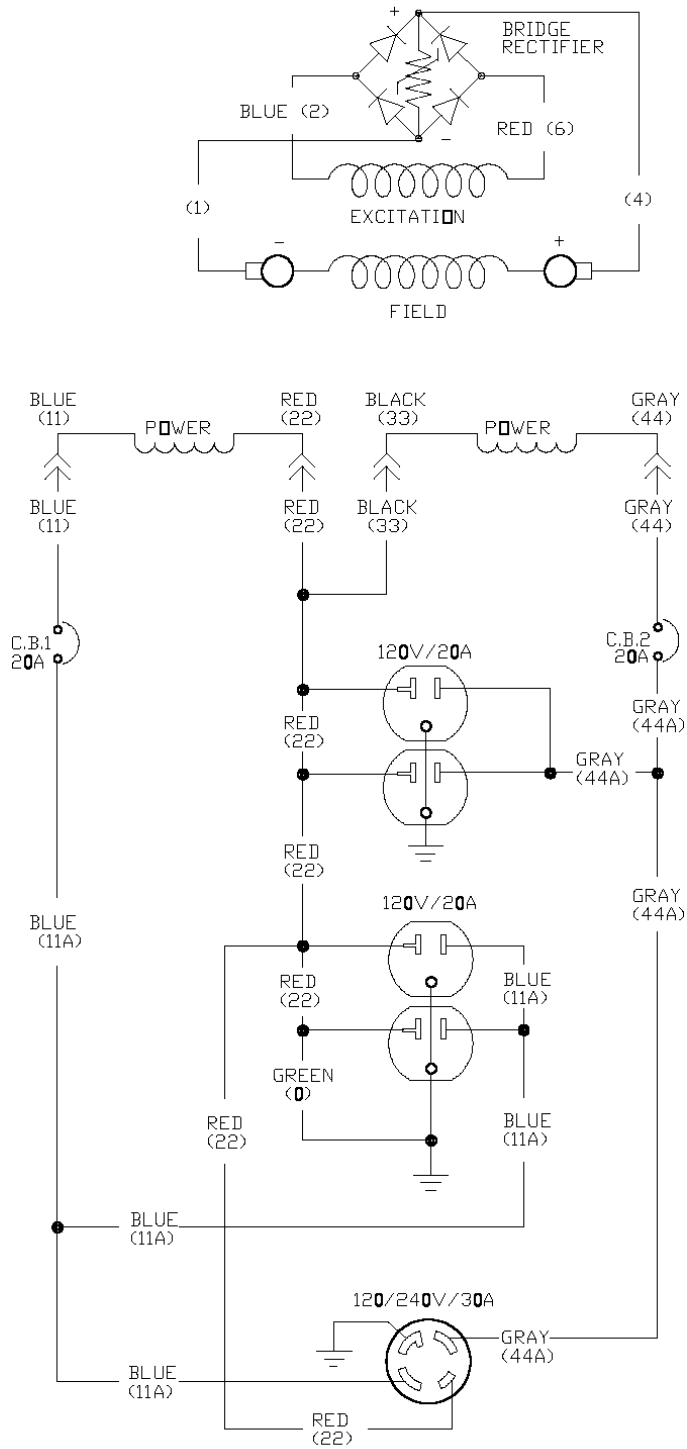


# TROUBLESHOOTING

Problem	Cause	Correction
<b>Engine is running, but no AC output is available.</b>	<ol style="list-style-type: none"> <li>1. One of the circuit breakers is open.</li> <li>2. Poor connection or defective cord set.</li> <li>3. Connected device is bad.</li> <li>4. Fault in generator.</li> </ol>	<ol style="list-style-type: none"> <li>1. Reset circuit breaker.</li> <li>2. Check and repair.</li> <li>3. Connect another device that is in good condition.</li> <li>4. Contact Sears service facility.</li> </ol>
<b>Engine runs good at no-load but "bogs down" when loads are connected.</b>	<ol style="list-style-type: none"> <li>1. Short circuit in a connected load.</li> <li>2. Generator is overloaded.</li> <li>3. Engine speed is too slow.</li> <li>4. Shorted generator circuit.</li> </ol>	<ol style="list-style-type: none"> <li>1. Disconnect shorted electrical load.</li> <li>2. See "Don't Overload Generator".</li> <li>3. Contact Sears service facility.</li> <li>4. Contact Sears service facility.</li> </ol>
<b>Engine will not start; or starts and runs rough.</b>	<ol style="list-style-type: none"> <li>1. Fuel valve in the "Off" position.</li> <li>2. Rocker Switch set to "Off".</li> <li>3. Dirty air cleaner.</li> <li>4. Out of gasoline.</li> <li>5. Stale gasoline.</li> <li>6. Spark plug wire not connected to spark plug.</li> <li>7. Bad spark plug.</li> <li>8. Water in gasoline.</li> <li>9. Overchoking.</li> <li>10. Low oil level.</li> <li>11. Excessively rich fuel mixture.</li> <li>12. Intake valve stuck open or closed.</li> <li>13. Engine has lost compression.</li> </ol>	<ol style="list-style-type: none"> <li>1. Set fuel valve to the "On" position.</li> <li>2. Set switch to "On".</li> <li>3. Clean or replace air.</li> <li>4. Fill fuel tank.</li> <li>5. Drain fuel tank; fill with fresh fuel.</li> <li>6. Connect wire to spark plug.</li> <li>7. Replace spark plug.</li> <li>8. Drain fuel tank; fill with fresh fuel.</li> <li>9. Open choke fully and crank engine.</li> <li>10. Fill crankcase to proper level.</li> <li>11. Contact Sears service facility.</li> <li>12. Contact Sears service facility.</li> <li>13. Contact Sears service facility.</li> </ol>
<b>Engine shuts down during operation.</b>	Out of gasoline.	Fill fuel tank.
<b>Engine lacks power.</b>	<ol style="list-style-type: none"> <li>1. Load is too high.</li> <li>2. Dirty air filter.</li> </ol>	<ol style="list-style-type: none"> <li>1. See "Don't Overload Generator".</li> <li>2. Replace air filter.</li> </ol>
<b>Engine "hunts" or falters.</b>	<ol style="list-style-type: none"> <li>1. Choke is opened too soon.</li> <li>2. Carburetor is running too rich or too lean.</li> </ol>	<ol style="list-style-type: none"> <li>1. Move choke to halfway position until engine runs smoothly.</li> <li>2. Contact Sears service facility.</li> </ol>

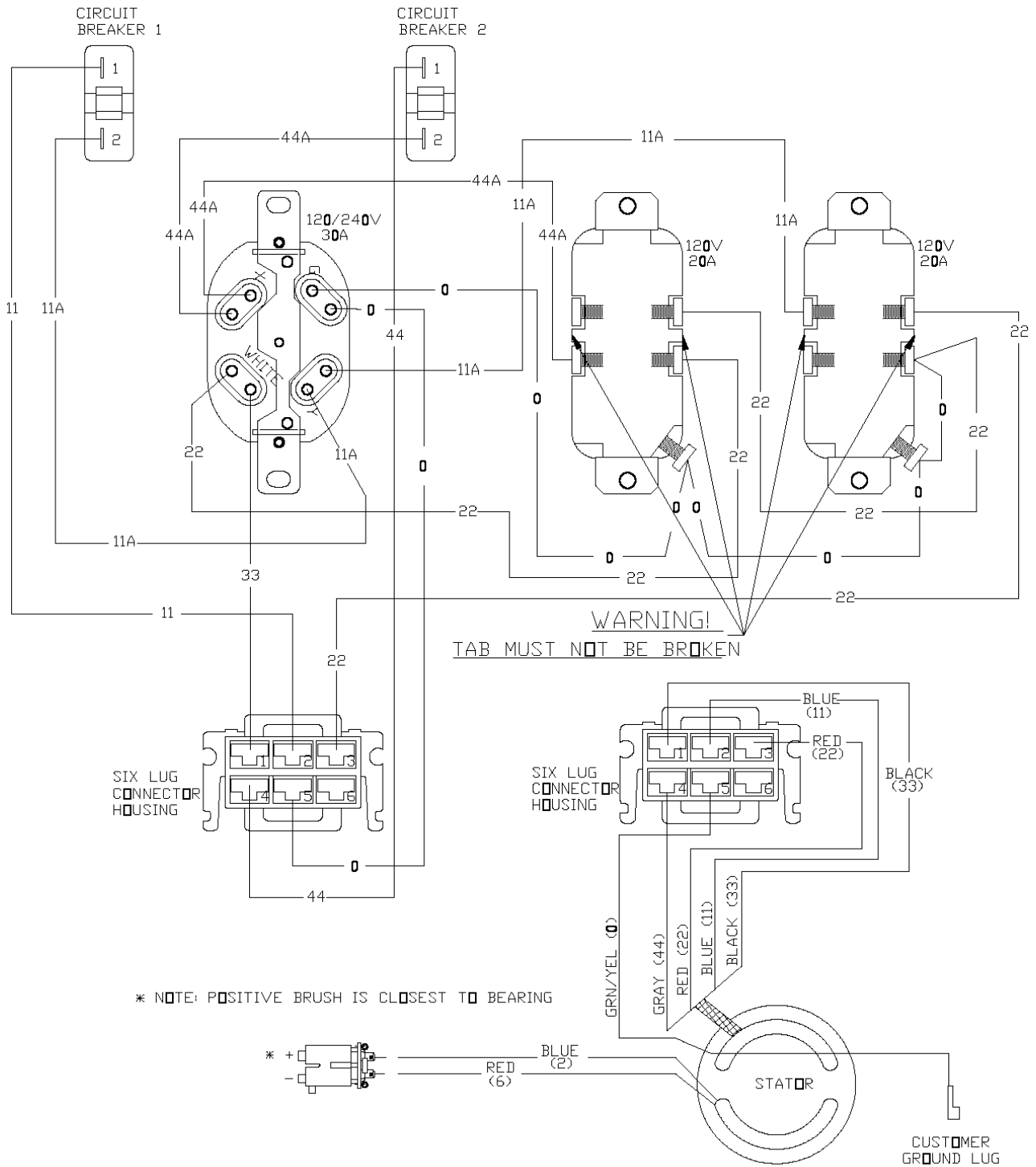
# SCHEMATIC DIAGRAM

## CRAFTSMAN 5600 Watt AC Generator 580.325600



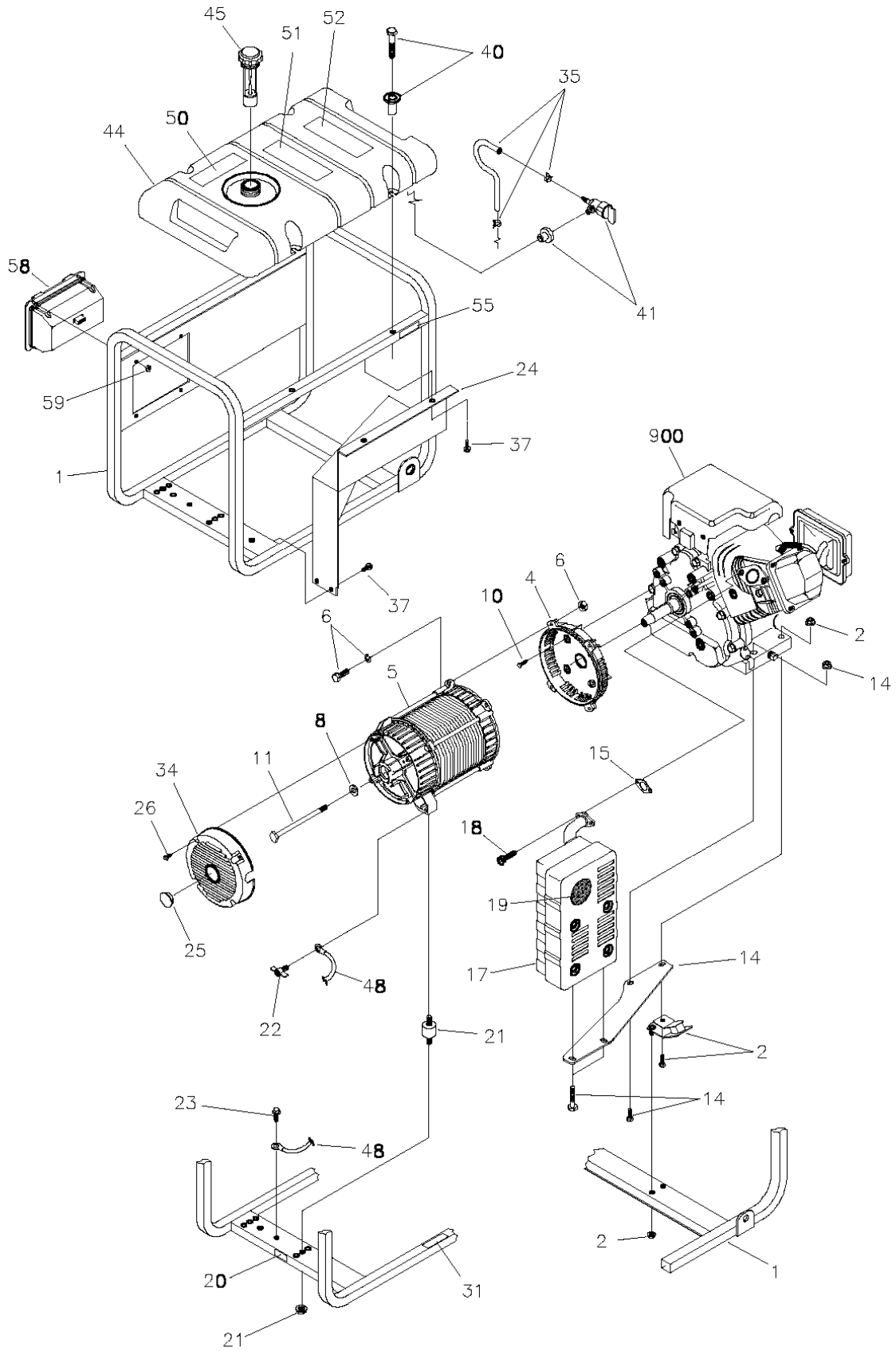
# WIRING DIAGRAM

## CRAFTSMAN 5600 Watt AC Generator 580.325600



# PARTS

## CRAFTSMAN 5600 Watt AC Generator 580.325600 Main Unit — Exploded View



## CRAFTSMAN 5600 Watt AC Generator 580.325600

### Main Unit — Parts List

Item	Part #	Description
1	M194766GS	CRADLE
2	194150GS	KIT, Vibration Mount, 45° Srv
4	190220GS	HOUSING, Engine Adapter
5	NSP	ASSY, Alternator (see page 24)
6	194151GS	KIT, Hardware Mount, Aprt.
8	96796GS	WASHER, M8 Flat
10	190274BGS	SBHCS, 3/8-16 x 1.0 Lg.
11	187365FGS	HHCS, 5/16-24 x 7.44
14	194729GS	KIT, Muffler Bracket, w/Hardware
15	695398	GASKET, Exhaust
17	189008GS	MUFFLER
18	60706GS	SCREW, 5/16 - 18 x 3/4"
19	83083GS	SCREEN, Spark Arrest
20	B4986GS	DECAL, Ground, Green
21	194153GS	KIT, Mount, Vibration. Alt. Srv
22	86494GS	SCREW, Wing M6 - 1.0 x 16
23	86292GS	SCREW, 10 - 16 x 3/4, Self Driller
24	192794GS	SHIELD, Heat
25	191190GS	CAP
26	74908GS	SCREW, M5-0.8 x 10 Taptite
31	77816GS	DECAL, Hot Muffler
34	195422GS	COVER, Bearing Carrier
35	194397GS	KIT, Fuel Hose, Formed, Srv
37	192376GS	SCREW, 12-24 x 1/2 THD Forming
40	194398GS	KIT, Hardware Fuel Tank
41	192980GS	KIT, Valve, Tank, Srv
44	193668GS	ASSY, Tank, Fuel (Includes Items 41, 50, 51 & 52)
45	B4363GS	CAP, Fuel Gauge
48	195373GS	WIRE, Ground
50	188333GS	DECAL, Gas Fill
51	194799GS	DECAL, Danger
52	189235GS	DECAL, Start Instructions
55	73054GS	DECAL, Shut-Off, Fuel
58	190355GS	ASSY, Control Panel (see page 22)
59	*	NUT, Palnut, 3/16"
900	NSP	ENGINE

### Parts Not Illustrated

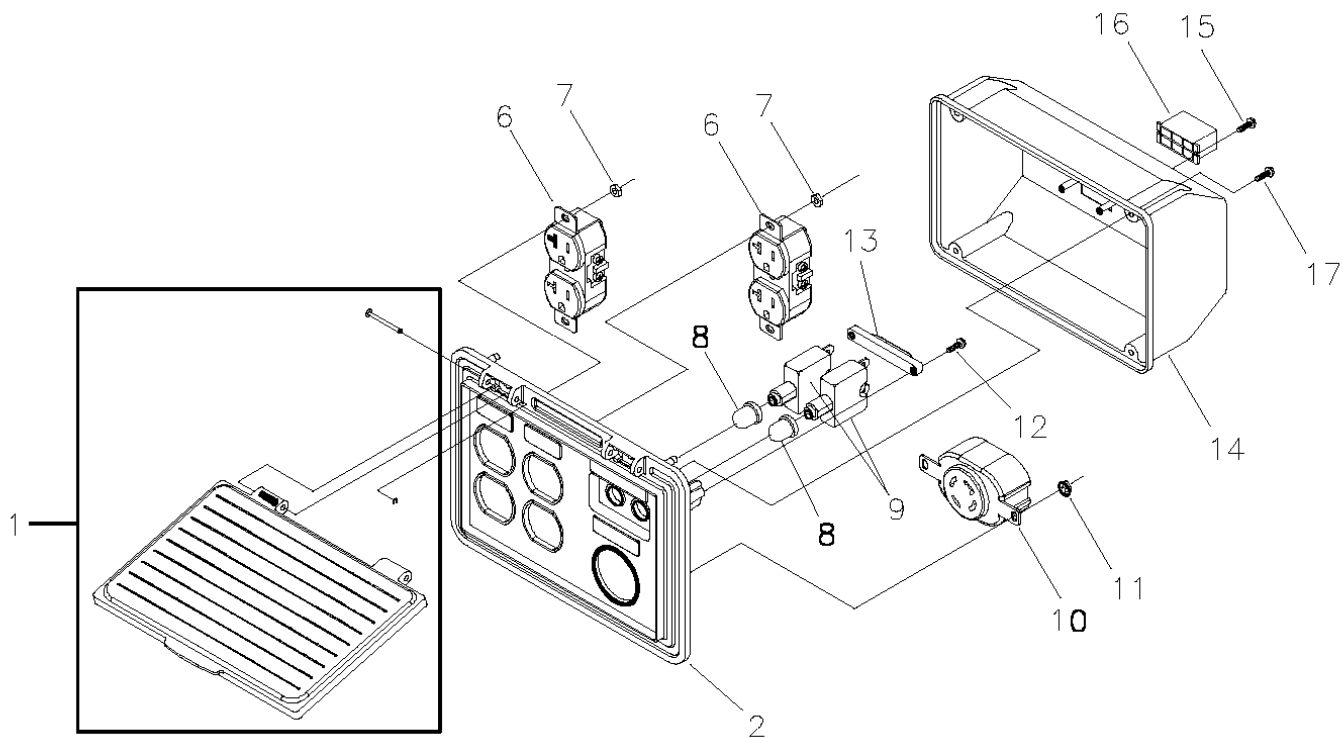
191646GS	DECAL, Set
43438GS	PLUG, 250V, 30A
AB3061GS	BOTTLE, Oil
191559GS	MANUAL, Owners

### Optional Accessories Not Shown

0932688GS	Cord Wrap Kit
0932785GS	Storage Cover

\* – Items without part numbers are common fasteners, available at local hardware stores.

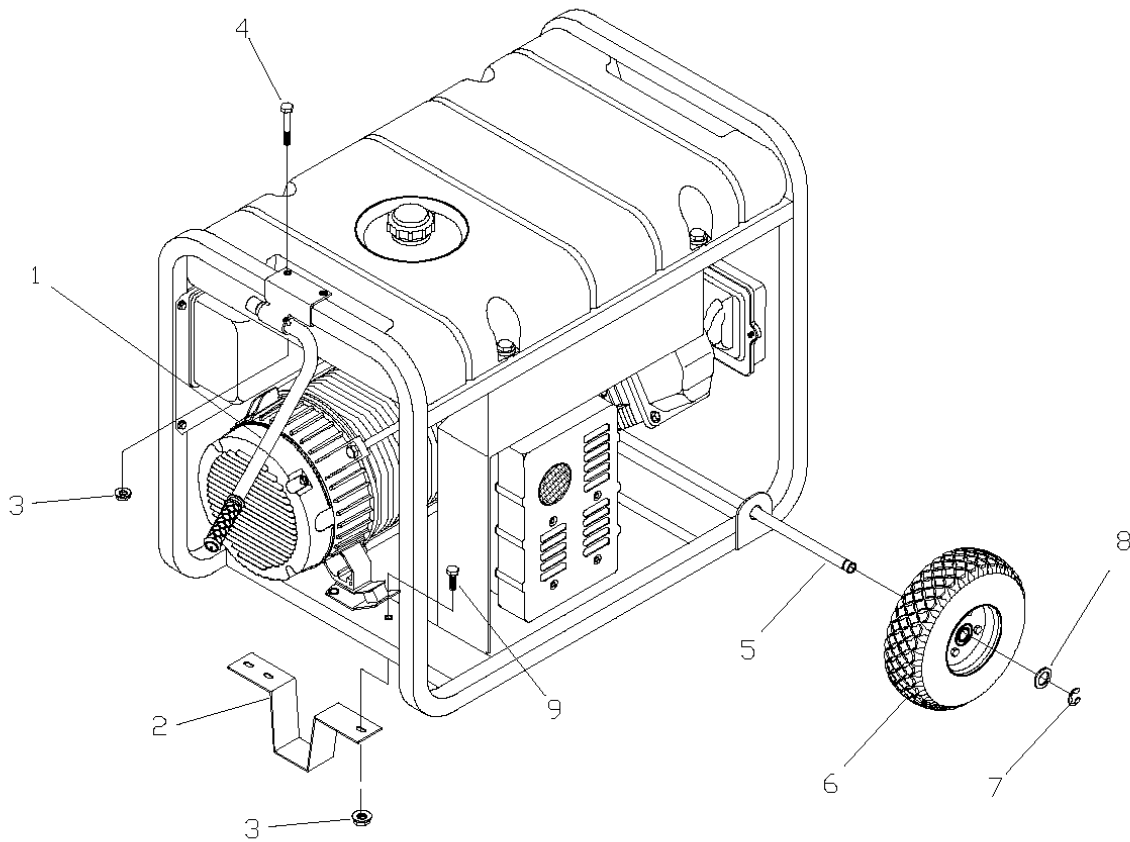
**CRAFTSMAN 5600 Watt AC Generator 580.325600**  
**Control Panel — Exploded View and Parts List**



Item	Part #	Description
1	195112GS	KIT, Control Panel Lid
2	188889GS	CONTROL PANEL, Compact
6	68759GS	OUTLET, 120V, 20A, Duplex
7	*	NUT, Palnut, Pushnut, 5/32
8	84198GS	CAP, Circuit Breaker
9	75207GS	BREAKER, Circuit
10	43437GS	OUTLET, 120/240V, Locking, 30A
11	*	NUT, Palnut, Pushnut, 3/16
12	*	SCREW, Phillips, Head 3.5 x 18
13	93857GS	BAR, Retaining
14	188890GS	COVER, Back, Control Panel
15	*	SCREW, Self Tapping, STC 3 x 18
16	22694GS	HOUSING, Receptacle
17	*	SCREW, Phillips, 3.5 x 14

\* – Items without part numbers are common fasteners, available at local hardware stores.

**CRAFTSMAN 5600 Watt AC Generator 580.325600**  
**Wheel Kit — Exploded View and Parts List**



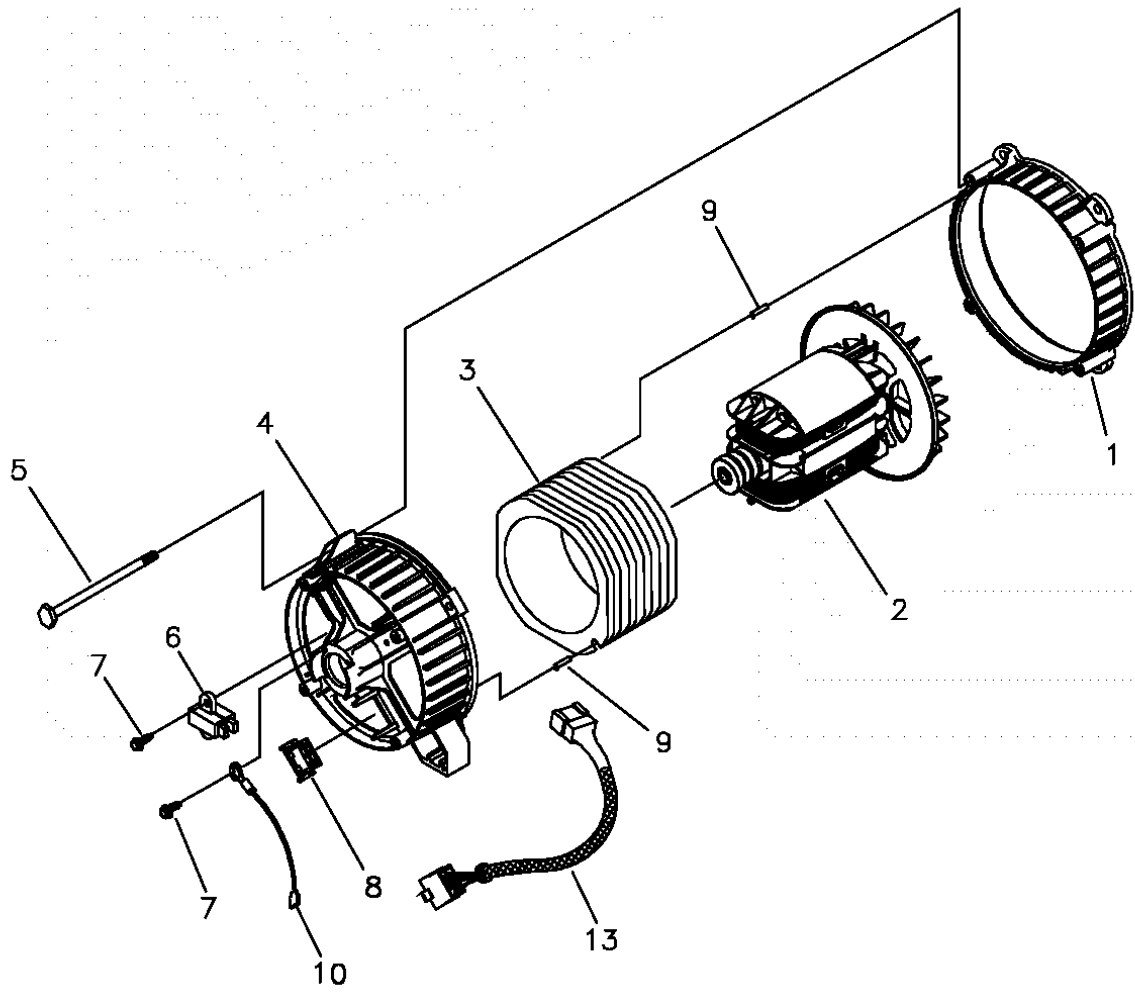
Item	Part #	Description
1	189715GS	ASSY, Handle
2	B1764GS	LEG, Mounting
3	52858GS	NUT, Locking Hex M8 - 1.25
4	*	HHCS, M8 - 1.25 x 45
5	191267HGS	AXLE, 5/8" x 22.87"
6	B4966GS	WHEEL
7	191265GS	E-RING
8	*	WASHER, Flat 5/8
9	*	HHCS, M8 - 1.25 x 16

**Parts Not Illustrated**

189718GS	GRIP
189716GS	CAP, Handle End

\* – Items without part numbers are common fasteners, available at local hardware stores.

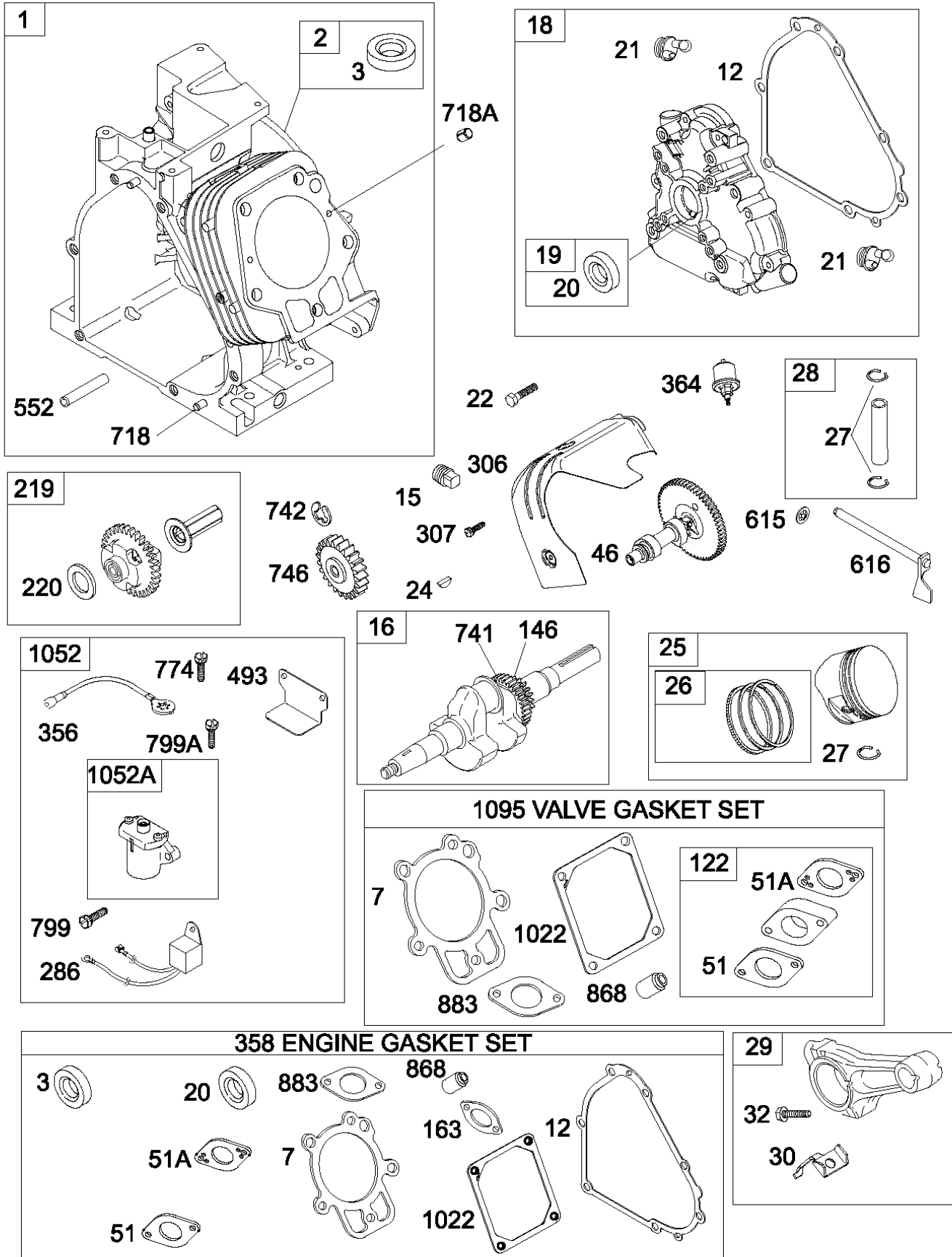
**CRAFTSMAN 5600 Watt AC Generator 580.325600**  
**Alternator — Exploded View and Parts List**



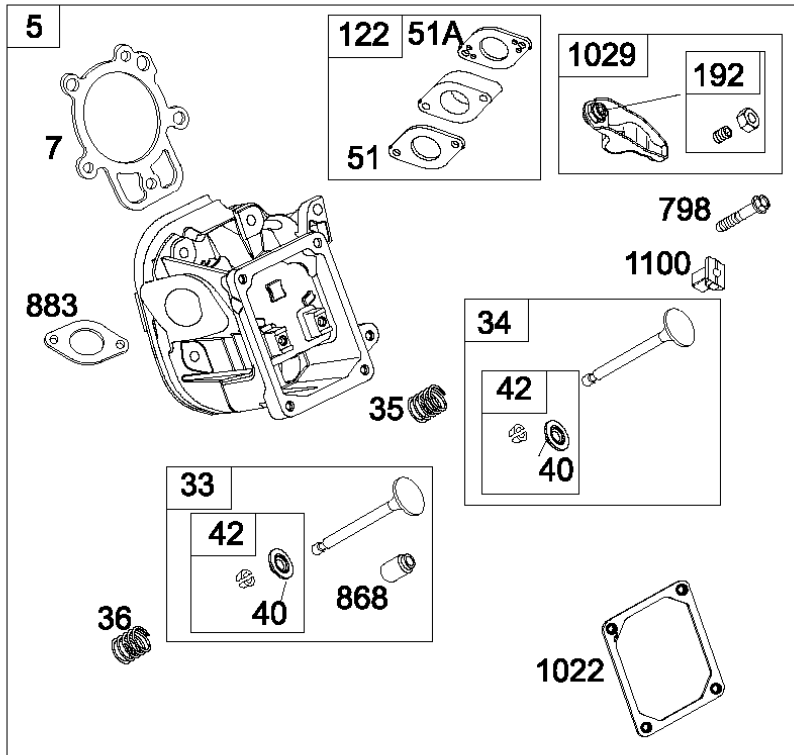
Item	Part #	Description
1	186059GS	ADAPTER, Mounting, Alternator
2	190032GS	ROTOR
3	190079AGS	STATOR
4	186060GS	RBC, with O-Ring (p/n 189197GS)
5	86308HGS	HHCS, M6 - 1.0 x 140 SEMS
6	91825GS	ASSY, Holder, Rectifier/Brush
7	66849GS	TAPTITE, M5 - 0.8 x 16
8	22694GS	RECEPTACLE, 6 pin
9	81917GS	PIN, Roll, 4mm x 10
10	193428AGS	ASSY, Wire, Ground
13	194274GS	HARNESS, Wire, Power



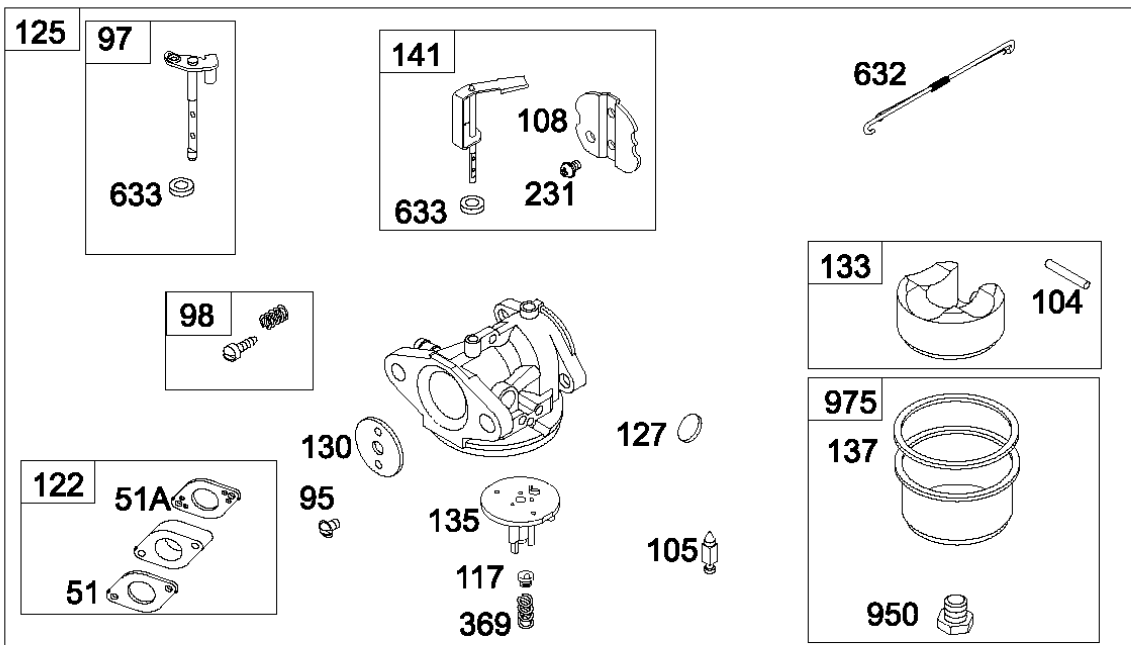
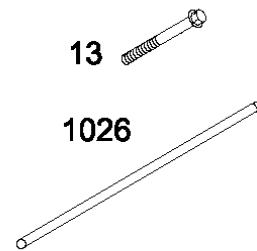
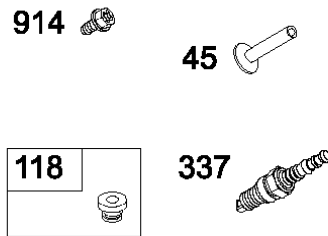
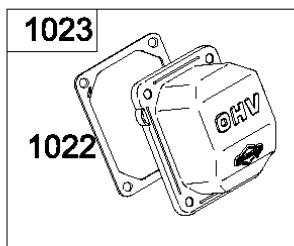
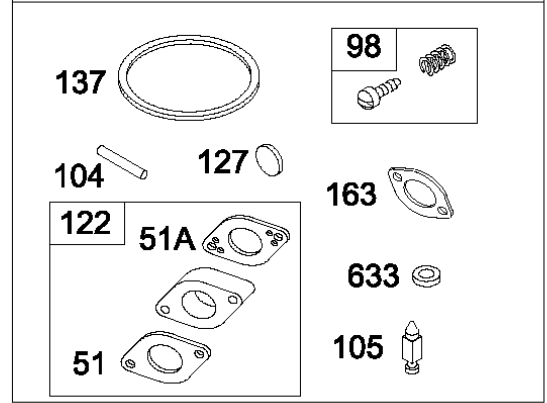
**ENGINE, 10 HP, Briggs and Stratton, 204412 – Exploded View**



**ENGINE, 10 HP, Briggs and Stratton, 204412 – Exploded View**



**121 CARBURETOR OVERHAUL KIT**





## ENGINE, 10 HP, Briggs and Stratton, 204412 – Parts List

Item	Part #	Description	Item	Part #	Description
1	695464	Cylinder Assembly	219	693578	Gear-Governor
2	495657	Kit-Bushing/Seal (Magneto Side)	220	691724	Washer (Governor Gear)
3	391086	Seal-Oil (Magneto Side)	222	694866	Bracket-Control
5	697233	Head-Cylinder	227	694864	Lever-Governor Control
7	694872	Gasket-Cylinder Head	231	691636	Screw (Choke Valve)
11	696796	Tube-Breather	286	695186	Module-Oil Sensor
12	694953	Gasket-Crankcase	304	697250	Housing-Blower
13	690360	Screw (Cylinder Head)	305	690960	Screw (Blower Housing)
15	691686	Plug-Oil Drain	306	697204	Shield-Cylinder
16	694678	Crankshaft	307	691660	Screw (Cylinder Shield)
18	694951	Cover-Crankcase	332	694685	Nut (Flywheel)
19	495657	Kit-Bushing/Seal (PTO Side)	333	715231	Armature-Magneto
20	391086	Seal-Oil (PTO Side)	334	691061	Screw (Magneto Armature)
21	281658	Cap-Oil Fill	337	491055	Plug-Spark
22	695174	Screw (Engine Sump)	347	697854	Switch-Rocker
23	694954	Flywheel	356	695366	Wire-Stop
24	222698	Key-Flywheel	356A	695295	Wire-Stop
25	695457	Piston Assembly (Standard)	356B	692603	Wire-Stop
	695458	Piston Assembly (.010" Oversize)	358	695438	Gasket Set-Engine
	695459	Piston Assembly (.020" Oversize)	364	695365	Terminal-Oil Plug
	695460	Piston Assembly (.030" Oversize)	369	695422	Spring-Float Bowl
26	694004	Ring Set (Standard)	425	694515	Screw (Air Cleaner Cover)
	694006	Ring Set (.010" Oversize)	445	491588	Filter-Air Cleaner Cartridge
	694008	Ring Set (.020" Oversize)	455	694683	Cup-Flywheel
	694010	Ring Set (.030" Oversize)	456	692299	Plate-Pawl Friction
27	690975	Lock-Piston Pin	459	281505	Pawl-Ratchet
28	696581	Pin-Piston	493	694861	Bracket-Mounting
29	694691	Rod-Connecting	505	691251	Nut (Governor Control Lever)
30	694692	Dipper-Connecting Rod	552	694674	Bushing-Governor Crank
32	690976	Screw (Connecting Rod)	562	92613	Bolt (Governor Control Lever)
33	499596	Valve-Exhaust	564	692577	Screw (Control Cover)
34	697464	Valve-Intake	564A	692198	Screw (Control Cover)
35	694865	Spring-Valve (Intake)	592	690800	Nut (Rewind Starter)
36	694865	Spring-Valve (Exhaust)	597	691696	Screw (Pawl Friction Plate)
40	690694	Retainer-Valve	604	697236	Cover-Control
42	499586	Keeper-Valve	608	695287	Starter-Rewind
45	690977	Tappet-Valve	615	694676	Retainer-Governor Shaft
46	697239	Camshaft	616	694675	Crank-Governor
51	694874	Gasket-Intake	632	695917	Spring/Link-Mechanical Governor
51A	694875	Gasket-intake	633	690998	Seal-Choke/Throttle Shaft
53	694869	Stud (Carburetor)	635	710901	Boot-Spark Plug
55	695288	Housing-Rewind Starter	689	691855	Spring-Friction
58	693389	Rope-Starter (Cut to Required Length)	718	690959	Pin-Locating
59	805957	Grip-Insert	718A	695178	Pin-Locating
60	715257	Grip-Starter Rope	741	691288	Gear-Timing
65	690837	Screw (Rewind Starter)	742	692564	Retainer-E Ring
95	691636	Screw (Throttle Valve)	746	694679	Gear-Idler
97	696387	Shaft-Throttle	774	695447	Screw (Stop Wire)
98	695408	Kit-Idle Speed	798	690967	Screw (Rocker Arm)
104	694918	Pin-Float Hinge	799	690297	Screw (Oil Sensor)
105	696136	Valve-Float Needle	799A	695446	Screw (Oil Sensor)
108	696209	Valve-Choke	868	690968	Seal-Valve
117	696134	Jet-Main (Standard)	883	695398	Gasket-Exhaust
118	696135	Jet-Main (High Altitude)	914	693732	Screw (Rocker Cover)
121	696146	Kit-Carburetor Overhaul	950	695407	Screw (Float Bowl)
122	694876	Spacer-Carburetor	968	692321	Cover-Air Cleaner
125	695918	Carburetor	975	696138	Bowl-Float
127	690727	Plug-Welch	977	696147	Gasket Set-Carburetor
130	696139	Valve-Throttle	1005	694684	Fan-Flywheel
133	694914	Float-Carburetor	1022	690971	Gasket-Rocker Cover
135	696142	Tube-Fuel Transfer	1023	697691	Cover-Rocker
137	695426	Gasket-Float Bowl	1026	695177	Rod-Push
141	696208	Kit-Choke Shaft	1029	690972	Rocker Arm
146	690979	Key-Timing	1052	694858	Sensor-Oil
161	694870	Base-Air Cleaner	1052A	696954	Sensor-Oil
163	692277	Gasket-Air Cleaner	1070	691058	Screw (Flywheel Fan)
185	690958	Nut (Air Cleaner Base)	1095	695440	Valve Gasket Set
188	690877	Screw (Control Bracket)	1100	690973	Pivot-Rocker Arm
192	690083	Bail-Rocker Arm	1210	498144	Pulley/Spring Assembly (Pulley)
209	694867	Spring-Governor	1211	498144	Pulley/Spring Assembly (Spring)

# NOTES

# EMISSION CONTROL SYSTEM WARRANTY

Sears, Roebuck and Co., U.S.A. (Sears), the California Air Resources Board (CARB) and the United States Environmental Protection Agency (U.S.EPA)

## Emission Control System Warranty Statement (Owner's Defect Warranty Rights and Obligations)

EMISSION CONTROL WARRANTY COVERAGE IS APPLICABLE TO CERTIFIED ENGINES PURCHASED IN CALIFORNIA IN 1995 AND THEREAFTER WHICH ARE USED IN CALIFORNIA, AND TO CERTIFIED MODEL YEAR 1997 AND LATER ENGINES WHICH ARE PURCHASED AND USED ELSEWHERE IN THE UNITED STATES (AND AFTER JANUARY 1, 2001 IN CANADA).

### California and U.S. EPA Emission Control Warranty Statement Your Warranty Rights and Obligations

The California Air Resources Board (CARB), U.S.EPA and Sears are pleased to explain the Emission Control System Warranty on your model year 2000 and later small off-road engine (SORE). In California, new small off-road engines must be designed, built and equipped to meet the State's stringent anti-smog standards. Elsewhere in the United States, new non-road, spark-ignition engines certified for model year 1997 and later, must meet similar standards set forth by the U.S.EPA. Sears must warrant the emission control system on your engine for the periods of time listed below, provided there has been no abuse, neglect, or improper maintenance of your small off-road engine.

Your emission control system may include parts such as the carburetor or fuel-injection system, the ignition system, and catalytic converter. Also included may be hoses, belts, connectors and other emission related assemblies.

Where a warrantable condition exists, Sears will repair your small off-road engine at no cost to you including diagnosis, parts and labor.

### Sears Emission Control Defects Warranty Coverage

The 1995 and later small off-road engines are warranted for two years. If any emission-related part on your engine is defective, the part will be repaired or replaced by Sears.

### Owner's Warranty Responsibilities

As the small off-road engine owner, you are responsible for the performance of the required maintenance listed in this owner's manual. Sears recommends that you retain all your receipts covering maintenance on your small off-road engine, but Sears cannot deny warranty solely for the lack of receipts or for your failure to ensure the performance of all scheduled maintenance.

As the small off-road engine owner, you should however be aware that Sears may deny you warranty coverage if your small off-road engine or a part has failed due to abuse, neglect, improper maintenance or unapproved modifications.

You are responsible for presenting your small off-road engine to an approved Sears Service Center as soon as a problem exists. The warranty repairs should be completed in a reasonable amount of time, not to exceed 30 days.

If you have any questions regarding your warranty rights and responsibilities, you should contact a Sears Service Representative at 1-800-469-4663.

### Sears Emission Control Defects Warranty Provisions

The following are specific provisions relative to your Emission Control Defects Warranty Coverage.

#### 1. Warranted Parts

Coverage under this warranty extends only to the parts listed below (the emission control systems parts) to the extent these parts were present on the engine purchased.

- a. Fuel Metering System
  - Cold start enrichment system
  - Carburetor and internal parts
  - Fuel Pump
- b. Air Induction System
  - Air cleaner
  - Intake manifold
- c. Ignition System
  - Spark plug(s)
  - Magneto ignition system
- d. Catalyst System
  - Catalytic converter
  - Exhaust manifold
  - Air injection system or pulse valve
- e. Miscellaneous Items Used in Above Systems
  - Vacuum, temperature, position, time sensitive valves and switches
  - Connectors and assemblies

#### 2. Length of Coverage

Sears warrants to the initial owner and each subsequent owner that the Warranted Parts shall be free from defects in materials and workmanship which caused the failure of the Warranted Parts for a period of two years from the date the engine is delivered to a retail purchaser.

#### 3. No Charge

Repair or replacement of any Warranted Part will be performed at no charge to the owner, including diagnostic labor which leads to the determination that a Warranted Part is defective, if the diagnostic work is performed at an approved Sears Service Center.

#### 4. Claims and Coverage Exclusions

Warranty claims shall be filed in accordance with the provisions of the Sears Warranty Policy. Warranty coverage shall be excluded for failures of Warranted Parts which are not original Sears parts or because of abuse, neglect or improper maintenance as set forth in the Sears Engine Warranty Policy. Sears is not liable to cover failures of Warranted Parts caused by the use of add-on, non-original, or modified parts.

#### 5. Maintenance

Any Warranted Part which is not scheduled for replacement as required maintenance or which is scheduled only for regular inspection to the effect of "repair or replace as necessary" shall be warranted as to defects for the warranty period. Any Warranted Part which is scheduled for replacement as required maintenance shall be warranted as to defects only for the period of time up to the first scheduled replacement for that part. Any replacement part that is equivalent in performance and durability may be used in the performance of any maintenance or repairs. The owner is responsible for the performance of all required maintenance, as defined in this owner's manual.

#### 6. Consequential Coverage

Coverage hereunder shall extend to the failure of any engine components caused by the failure of any Warranty Part still under warranty.

In the USA and Canada, a 24-hour hotline, 1-800-469-4663, has a menu of pre-recorded messages offering you product maintenance information.

## Emissions Durability Period and Air Index Information On Your Engine Emissions Label

Engines that are certified to meet the California Air Resources Board (CARB) Tier 2 Emission Standards must display information regarding the Emissions Durability Period and Air Index. The engine manufacturer makes this information available to the consumer on emission labels.

The **Emissions Durability Period** describes the number of hours of actual running time for which the engine is certified to be emissions compliant, assuming proper maintenance in accordance with the Operating & Maintenance Instructions. The following categories are used:

**Moderate:** Engine is certified to be emission compliant for 125 hours of actual engine running time.

**Intermediate:** Engine is certified to be emission compliant for 250 hours of actual engine running time.

**Extended:** Engine is certified to be emission compliant for 500 hours of actual engine running time.

For example, a typical walk-behind lawn mower is used 20 to 25 hours per year. Therefore, the **Emissions Durability Period** of an engine with an **intermediate** rating would equate to 10 to 12 years.

The **Air Index** is a calculated number describing the relative level of emissions for a specific engine family. The lower the **Air Index**, the cleaner the engine. This information is displayed in graphical form on the emissions label.

## Emissions Compliance Period On Engine Emissions Compliance Label

After July 1, 2000 certain Sears engines will be certified to meet the United States Environmental Protection Agency (USEPA) Phase 2 emission standards. For phase 2 certified engines, the Emissions Compliance Period referred to on the Emissions Compliance label indicates the number of operating hours for which the engine has been shown to meet Federal emission requirements. For engines less than 225 cc displacement, Category C = 125 hours, B = 250 hours and A = 500 hours. For engines of 225 cc or more, Category C = 250 hours, B = 500 hours and A = 1000 hours.

This engine has an intermediate rating with and Air Index of 3. The EPA Emissions compliance period is Category C. The displacement of this engine is 305 cc.

Below is a generic representation of the emission label typically found on a certified engine.



# TABLA DE CONTENIDOS

GARANTIA .....	32	MANTENIMIENTO .....	43-45
REGLAS DE SEGURIDAD .....	33-34	ALMACENAMIENTO .....	46
CARACTERÍSTICAS Y CONTROLES .....	35	DIAGNOSTICOS DE AVERÍAS .....	47
ENSAMBLAJE .....	36-37	GARANTÍA DE EMISIONES .....	48-49
FUNCIONAMIENTO .....	38-41	NOTAS .....	50-51
ESPECIFICACIONES DEL PRODUCTO .....	42	PARTES/SERVICIO .....	ULTIMA PÁGINA

## GARANTÍA

### GARANTIA LIMITADA GENERADORES CRAFTSMAN

SEARS le garantiza al comprador original que el alternador y el motor de su generador portátil estará libre de defectos en materiales y mano de obra en los componentes y por el período de tiempo establecido a continuación a partir de la fecha de compra original. Esta garantía no es transferible.

	CLIENTE*	COMERCIAL*
Alternador	2 Años(segundo año despide sólo)	1 Año
Motor	2 Años(segundo año despide sólo)	1 Año

**\* NOTA: Para propósitos de esta garantía el término "Uso del Cliente" representa el uso doméstico residencial y de emergencia por parte del comprador original, sin incluir aplicaciones donde la unidad sea usada como fuente de potencia principal. El término "Uso Comercial" representa todos los otros usos, incluyendo alquiler, construcción, comercial y para propósitos lucrativos. Una vez el generador haya tenido uso comercial, éste será considerado como un generador para uso comercial para los fines de esta garantía.**

Durante dicho período de garantía, SEARS reparará o reemplazará, a su discreción, cualquier parte que haya sido encontrada defectuosa, en examen previo realizado por SEARS, bajo uso y servicio normal\*\*. Las baterías de arranque y los elementos perecederos como bujías y filtros de aire, que se desgastan con el uso normal, no están garantizados por SEARS. Todos los costos de transporte bajo garantía, incluyendo el envío a la fábrica, de ser necesario, serán responsabilidad del comprador y deberán ser pagados por anticipado. Esta garantía no cubre el mantenimiento y servicio normal y no se aplica a generadores, alternadores, motores o partes que hayan sido sujetos a instalaciones o modificaciones incorrectas o no autorizadas, mal uso, negligencia, accidente, sobrecarga, exceso de velocidad, mantenimiento, reparación o almacenamiento incorrecto que, a juicio de SEARS, afecte negativamente su funcionamiento y confiabilidad.

**\*\* DESGASTE NORMAL: Como con todos los dispositivos mecánicos, los motores necesitan el servicio y reemplazo periódico de las partes para funcionar en buenas condiciones. Esta garantía no cubre reparaciones cuando el uso normal haya sobrepasado la vida útil de una parte o motor.**

NO EXISTEN OTRAS GARANTIAS EXPRESAS. SEARS POR MEDIO DE LA PRESENTE DESCONOCE TODAS LAS GARANTIAS IMPLICITAS, INCLUYENDO, SIN LIMITARSE, A AQUELLAS DE COMERCIALIZACION Y ADAPTACION PARA UN PROPOSITO PARTICULAR AL EXTREMO PERMITIDO POR LA LEY. LA DURACION DE CUALQUIER GARANTIA IMPLICITA QUE NO PUEDA SER DESCONOCIDA, ESTA LIMITADA AL PERIODO DE TIEMPO ESPECIFICADO EN LA GARANTIA EXPRESA. LA RESPONSABILIDAD LEGAL ES EXCLUIDA POR DAÑOS CONSECUENCIALES, INCIDENTALES O ESPECIALES BAJO CUALQUIERA DE LAS GARANTIAS.

Algunos estados no permiten limitaciones en la duración de las garantías implícitas, o la exclusión o limitación de daños incidentales o consecuenciales, por tanto las limitaciones o exclusiones anteriormente mencionadas podrían no aplicarse a usted. Esta garantía le otorga derechos legales específicos; usted podría tener otros derechos, los cuales cambian de estado a estado.

Para servicio, visite su centro de servicio de garantía autorizado SEARS más cercano. El servicio de garantía puede ser llevado a cabo únicamente por un centro de servicio autorizado SEARS. Esta garantía no se podrá aplicar para servicio en otros centros de servicio. Evidencia de la fecha de compra original deberá ser presentada en el momento de solicitar el servicio de garantía.

**SEARS, ROEBUCK AND CO., Department 817WA, Hoffman Estates, IL 60179**



# REGLAS DE SEGURIDAD



Este es el símbolo de alerta de seguridad. Es usado para indicarle situaciones con peligros potenciales de lesión para el personal. Siga las instrucciones de todos los mensajes de seguridad que aparecen después de este símbolo para evitar posibles lesiones o muerte.



Lea este manual de manera cuidadosa y familiarícese con su generador. Conozca sus usos, sus limitaciones y cualquier peligro relacionado con el mismo.

El símbolo de alerta de seguridad (▲) es usado con una palabra (PELIGRO, ADVERTENCIA, PRECAUCIÓN), un mensaje por escrito o una ilustración, para alertarlo acerca de cualquier situación de peligro que pueda existir. **PELIGRO** indica un riesgo el cual, si no se evita, *causará* la muerte o una herida grave. **ADVERTENCIA** indica un riesgo el cual, si no se evita, *puede* causar la muerte o una herida grave. **PRECAUCIÓN** indica un riesgo, el cual, si no se evita, *puede* causar heridas menores o moderadas. **PRECAUCIÓN**, cuando se usa *sin* el símbolo de alerta, indica una situación que podría resultar en el daño del equipo. Siga los mensajes de seguridad para evitar o reducir los riesgos de heridas e inclusive la muerte.



## ADVERTENCIA

El escape del motor de este producto contiene elementos químicos reconocidos en el Estado de California por producir cáncer, defectos de nacimiento u otros daños de tipo reproductivo.



## ADVERTENCIA

- Este generador no cumple la norma 33CFR-183 del cuerpo de guardacostas de EE.UU. y no debe utilizarse en aplicaciones marinas.
- El uso de un generador no homologado por cuerpo de guardacostas de EE.UU. puede provocar lesiones y daños materiales.

## Símbolos de Peligro y Significados



## ADVERTENCIA



Al generador funcionar, se produce monóxido de carbono, un gas inodoro y venenoso.

El respirar el monóxido de carbono, producirá náusea, desmayo o la muerte.

- Opere el generador **SOLAMENTE** al aire libre.
- Asegúrese de que los gases de escape no puedan entrar por ventanas, puertas, tomas de aire de ventilación u otras aberturas en un espacio cerrado en el que puedan acumularse.
- **NO** opere el generador dentro de un edificio o lugar cerrado, incluyendo el compartimiento del generador en un vehículo recreativo o RV.



## ADVERTENCIA



Los generadores producen un voltaje muy poderoso.

Si no aísla el generador de utilidades de energía, puede hacer que los trabajadores de electricidad sufran heridas graves e inclusive la muerte, debido a la retroalimentación de la energía eléctrica.

- Cuando use un generador como poder de energía auxiliar, notifique a la compañía de utilidades. Use el equipo de transferencia aprobado para aislar el generador de otra utilidad eléctrica.
- Use un interruptor para la falla del circuito de tierra (GFCI) en cualquier área bastante húmeda o que sea altamente conductiva, tales como terrazas de metal o trabajo hecho con acero.
- **NO** toque los alambres pelados o receptáculos.
- **NO** use un generador con cables eléctricos que estén malgastados, rotos, pelados o dañados de cualquier forma.
- **NO** opere el generador bajo la lluvia.
- **NO** maneje el generador o cables eléctricos mientras esté parado en agua, descalzo o cuando las manos y los pies estén mojados.
- **NO** permita que personas descalzadas o niños operen o sirvan al generador.



## ADVERTENCIA



El rápido repliegue del cable del arrancador (retroceso) impedirá que el usuario suelte el cable a tiempo y tirará de su mano y brazo hacia el motor.

Como resultado, podrían producirse fracturas, contusiones o esguinces.

- Cuando arranque el motor, tire lentamente del cable hasta sentir una resistencia y, a continuación, tire rápidamente de él para evitar su retroceso.
- **NUNCA** arranque o pare el motor cuando haya aparatos eléctricos conectados y en funcionamiento.

## ADVERTENCIA



La combustible y sus vapores son extremadamente inflamables y explosivos.



El fuego o una explosión pueden causar quemaduras severas e inclusive la muerte.

### CUANDO AÑADA COMBUSTIBLE O VACÍE EL DEPÓSITO

- Apague el generador (posición OFF) y déjelo enfriar al menos por 2 minutos antes de remover la tapa de la combustible. Afloje la tapa lentamente para dejar que la presión salga del tanque.
- Llène o vacíe el depósito de combustible a la intemperie.
- NO llene demasiado el tanque. Permita al menos espacio para la expansión del combustible.
- Mantenga la combustible alejada de chispas, llamas abiertas, pilotos, calor y otras fuentes de ignición.
- NO encienda un cigarrillo o fume.

### CUANDO PONGA EN FUNCIONAMIENTO EL EQUIPO

- Compruebe que la bujía, el silenciador, el tapón del depósito de combustible y el filtro de aire están instalados.
- NO arranque el motor sin la bujía instalada.
- Si se ha derramado combustible, espere a que se evapore antes de arrancar el motor.

### CUANDO OPERE EL EQUIPO

- NO incline el motor o el equipo, de tal manera que la combustible se pueda derramar.
- NO estrangule el carburador para parar el motor.
- Este generador no es apto para el uso en equipos móviles ni en aplicaciones marinas.

### CUANDO TRANSPORTE O REPARE EL EQUIPO

- Transporte o repare el equipo con el tanque de combustible vacío, o con la válvula para apagar el combustible, apagada (posición OFF).
- Desconecte el cable de la bujía.

### CUANDO ALMACENE O GUARDE EL EQUIPO CON COMBUSTIBLE EN EL TANQUE

- Almacene alejado de calderas, estufas, calentadores de agua, secadoras de ropa u otros aparatos electrodomésticos que posean pilotos u otras fuentes de ignición, porque ellos pueden encender los vapores de la combustible.

## ADVERTENCIA



Los motores al funcionar producen calor. La temperatura del silenciador y de las áreas cercanas puede alcanzar o pasar los 150°F (65°C).



Quemaduras severas pueden ocurrir al hacer contacto.

Los residuos como hojas, hierba, maleza, etc. se pueden inflamar.

- NO toque las superficies calientes.
- Permita que el equipo se enfríe antes de tocarlo.
- El generador debe estar situado a un mínimo de 152 cm (5 pies) de toda estructura con muros combustibles y/o otras materias combustibles.
- Mantenga un mínimo de 92 cm (3 pies) alrededor de la carcasa del generador, para facilitar la ventilación y el mantenimiento del generador.
- En el estado de California es obligatorio, según la ley, el uso de apagachispas (Sección 4442 del Código de Recursos Públicos de California). Otros estados pueden tener leyes similares. Las leyes federales se aplican en tierras federales. Si equipa el silenciador con un apagachispas, este deberá ser mantenido en buenas condiciones de trabajo. Usted puede ordenar el apagachispas a través de su distribuidor de servicio autorizado Sears.

## ADVERTENCIA



Chispear involuntario puede tener como resultado el fuego o el golpe eléctrico.



### CUANDO AJUSTE O HAGA REPARACIONES A SU GENERADOR

- Siempre desconecte el alambre de la bujía y colóquelo donde no pueda entrar en contacto con la bujía.

### CUANDO PRUEBE LA BUJÍA DEL MOTOR

- Utilice un comprobador de bujías homologado.
- NO comprueba la chispa sin la bujía instalada.

## PRECAUCIÓN

Las velocidades de operación en exceso, aumentan los riesgos de heridas y daños al generador.

Las velocidades bajan en exceso, imponen una carga muy pesada.

- No cambie ninguna velocidad determinada. El generador suministra una frecuencia y un voltaje calificado cuando funciona a una velocidad determinada.
- No modifique al generador en ninguna forma.

## PRECAUCIÓN

El sobrepasar la capacidad del amperaje y vataje del generador, puede dañar al generador y los aparatos eléctricos conectados al mismo.

- Vea "No sobrecargue generador".
- Encienda su generador y deje que el motor se estabilice antes de conectar las cargas eléctricas.
- Conecte las cargas eléctricas en la posición de apagado (OFF), luego encienda (ON) para su operación.
- Apague (OFF) las cargas eléctricas y desconéctelas del generador antes de parar el generador.

## PRECAUCIÓN

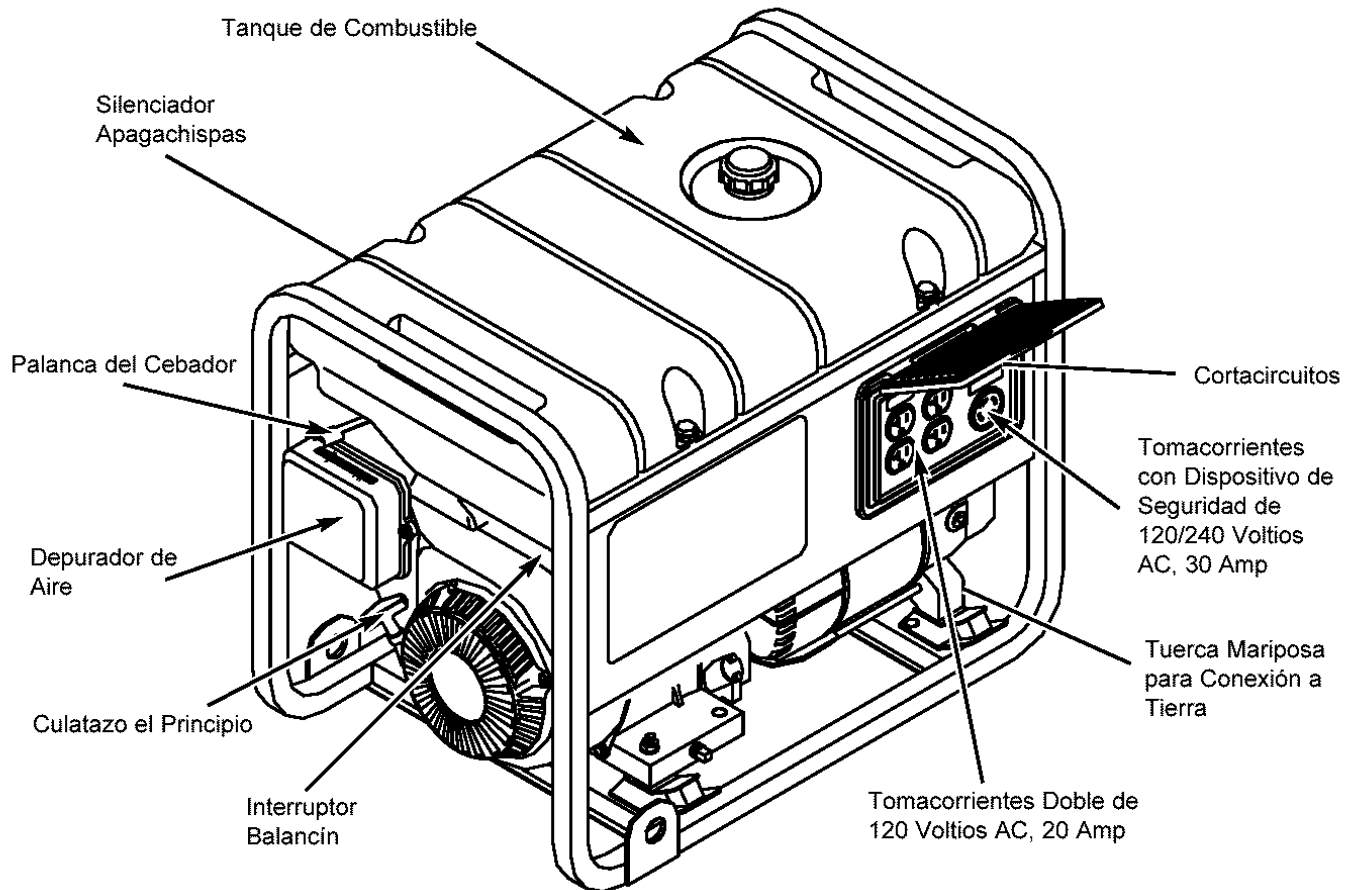
El tratamiento inadecuado del generador puede dañarlo y acortar su vida productiva.

- Use el generador solamente con la finalidad para el cual fue diseñado.
- Si usted tiene alguna pregunta acerca de las finalidades de uso del generador, pregúntele a su concesionario o contacte a Sears.
- Opere el generador solamente en superficies niveladas.
- NO esponga al generador a una humedad excesiva, polvo, suciedad o vapores corrosivos.
- NO inserte cualquier objeto a través de las ranuras de enfriamiento.
- Si los aparatos conectados se sobrecalientan, apáguelos y desconéctelos del generador.
- Apague el generador si:
  - Se pierde la salida eléctrica;
  - El equipo produce chispas, humo o emite llamas;
  - La unidad vibra de una manera excesiva.

# CARACTERÍSTICAS Y CONTROLES

## CONOZCA SU GENERADOR

LEA ESTE MANUAL DEL PROPIETARIO Y LAS REGLAS DE SEGURIDAD ANTES DE OPERAR SU GENERADOR. Compare las ilustraciones con su Generador para familiarizarse con las ubicaciones de los diferentes controles y ajustes. Conserve este manual para referencias futuras.



**Cortacircuitos (AC)** — Cada tomacorriente posee un cortacircuito para proteger el generador contra sobrecargas eléctricas. Los cortacircuitos son del tipo “oprimir para repositionar”.

**Culatazo el Principio** — Usó para comenzar motor.

**Depurador de Aire** — Filtra el aire de entrada a medida que penetra en el motor.

**Interruptor Balancín** — Deberá estar en la posición “On” (En) para darle arranque al motor. Colóquelo en la posición “Off” (Apagado) para detener un motor en funcionamiento.

**Palanca del Cebador** — Usada cuando se está dando arranque a un motor frío.

**Silenciador Apagachispas** — El silenciador disminuye el ruido del motor y está equipado con una pantalla apagachispas.

**Tanque del Combustible** — El tanque tiene una capacidad de 5 galones americanos de gasolina sin contenido de plomo.

**Tomacorriente Dobles de 120 Voltios AC, 20 Amp** — Pueden ser utilizados para suministrar alimentación eléctrica para el funcionamiento de cargas del motor, herramientas, aparatos especiales e iluminación eléctrica de 120 Voltios AC a 20 Amperios, monofásica de 60 Hz.

**Tomacorriente con Dispositivo de Seguridad de 120/240 Voltios, 30 Amp** — Puede ser utilizado para suministrar alimentación eléctrica para el funcionamiento de cargas del motor, herramientas, aparatos especiales e iluminación eléctrica de 120 y/o 240 Voltios AC a 30 Amperios, monofásica de 60 Hz.

**Tuerca Mariposa de Conexión A Tierra** - Si requirió, consulte con un electricista cualificado, un inspector eléctrico o el organismo competente.

# ENSAMBLAJE

Su generador requiere de ciertos procedimientos de montaje y solo estará listo para ser utilizado después de haberle suministrado servicio con el combustible y aceite recomendados.

Si usted tiene problemas con el montaje de su generador, por favor llame a la línea de ayuda para generadores al **1-800-222-3136**.

**IMPORTANTE:** Cualquier intento de encender el motor antes de haber colocado el aceite recomendado resultará daño del motor.

## PARA RETIRAR EL GENERADOR DE LA CAJA

- Coloque la caja sobre una superficie plana y rígida, con las flechas que dicen "this side up" hacia arriba.
- Abra con cuidado las tapas superiores de la caja de envío.
- Corte de arriba a abajo las esquinas de uno de los lados de la caja y coloque ese lado de la caja sobre el suelo.
- Retire todo el material de empaque, relleno, etc.
- Saque el generador de la caja de envío.

## CONTENIDO DE LA CAJA

Revise todo el contenido. Si alguna de las partes no está presente o está dañada, por favor llame a la línea de ayuda para generadores al **1-800-222-3136**.

- La unidad principal
- Manual del propietario
- Aceite para motor
- Tapon de fijación
- Juego de llantas

## MONTAJE DEL JUEGO DE RUEDAS

El juego de ruedas está diseñado para mejorar el transporte del generador.

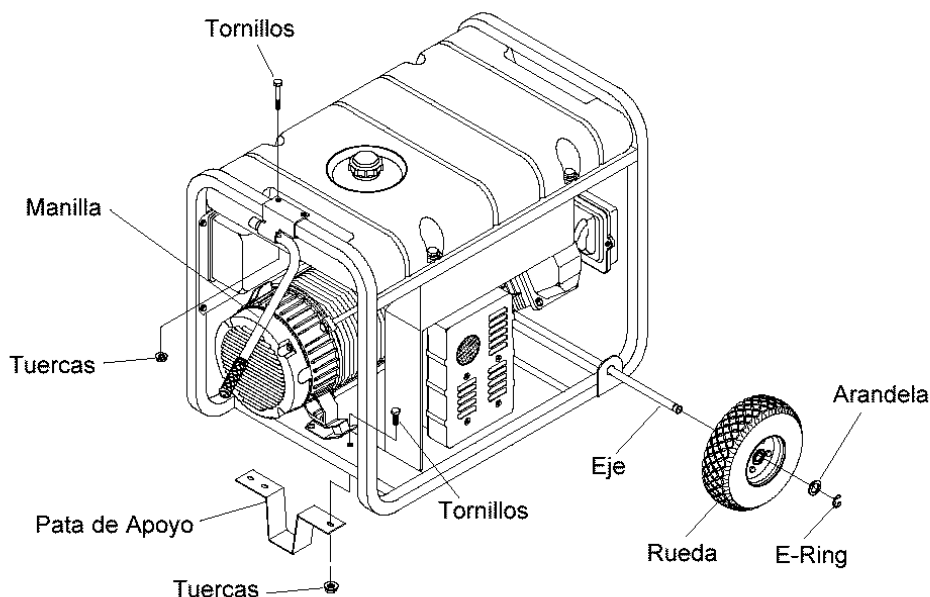
**NOTA:** Este Juego de Ruedas no ha sido diseñado para ser usado en la carretera.

Necesitará una llave de cubos con cubos de 1/2" o 13mm y unas pinzas de punta para instalar el juego de ruedas.

**Consulte la ilustración mostrada e instale el juego de ruedas como se describe a continuación:**

1. Coloque el fondo de la camilla del generador en una superficie plana. Temporalmente, coloque la unidad en bloques para ensamblarla fácilmente.
2. Deslice el eje a través de ambos soportes de montaje, en el marco de la camilla, como se muestra.
3. Deslice una rueda en el eje.
- NOTA:** Asegúrese de instalar ambas ruedas con la válvula de aire hacia el lado de afuera.
4. Coloque el e-ring en la ranura del eje.
5. Coloque un extremo de las pinzas de puntas de aguja en la parte inferior del eje y el otro extremo de las pinzas en la parte superior del e-ring. Asiente el e-ring cerrando las pinzas.
6. Repita los pasos 3 por 5 para asegurar la segunda rueda.
7. Remueva los bloques temporales.
8. Para ayudar al ensamblaje de la pata de apoyo, haga descansar el generador en la camilla con la parte del motor hacia abajo. Anexe la pata de apoyo con dos tornillos M8 x 16mm y dos tuercas de seguridad, como se muestra en la figura.
9. Use dos llaves de 13mm para apretar las piezas. Ahora haga descansar el generador en las ruedas y pata de apoyo.
10. Coloque el soporte de la manilla en el centro del marco del generador al extremo de la pata de apoyo, como se muestra.
11. Anexe el soporte de la manilla con dos tornillos M8 x 45mm y dos tuercas de seguridad.
12. Verifique que todas las piezas estén apretadas y las llantas estén infladas al valor marcó en la llanta o dentro de 15 y 40 psi.

### Vista del Montaje del Juego de Ruedas



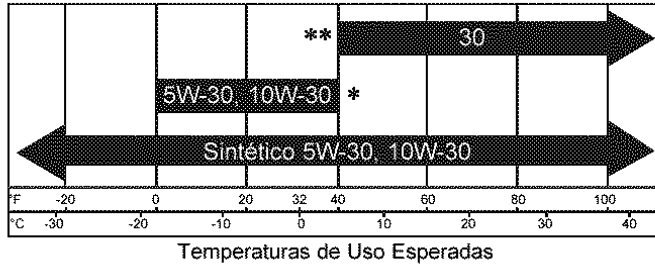
# ANTES DE DARLE ARRANQUE AL GENERADOR

Para operar el motor, deberá hacer la siguiente:

## Agregar Aceite al Motor

**NOTA:** Cuando agregue aceite al compartimiento del motor, utilice únicamente aceite detergente de alta calidad, designado con la clasificación API de servicio SF, SG, SH, SJ o superior. NO use aditivos especiales.

1. Seleccione una viscosidad de acuerdo a la tabla siguiente:



**NOTA:** Todo aceite sintético que cumpla las especificaciones ILSAC GF-2, con marca de certificación API y con símbolo de servicio API con "SJ/CF ENERGY CONSERVING" o superior es un aceite aceptable a todas las temperaturas. El uso de aceite sintético no altera los intervalos de cambio de aceite indicados.

\* El uso de aceites multigrado (5W-30, 10W-30, etc.) en temperaturas mayores a los 40°F (4°C) ocasionará un consumo de aceite mayor al normal. Cuando utilice un aceite multigrado, revise con mayor frecuencia el nivel de aceite del motor.

\*\* Si utiliza aceite SAE 30 en temperaturas inferiores a los 40°F (4°C), ocasionará que el arranque sea más difícil e incluso que se desbiele el motor debido a su inadecuada lubricación interna.

- Coloque el generador sobre una superficie nivelada.
- El área limpia alrededor de aceite amarillo llena la tapa. Quite el aceite llena la tapa.
- Llene lentamente motor con aceite por el aceite llena abrir hasta que el nivel de aceite sea al grano de derramar.
- Instale aceite amarillo llena la tapa y el dedo aprieta seguramente.
- Verifique el nivel de aceite de motor antes de comenzar cada vez después. Si el nivel de aceite está debajo del punto de derramar, llena al nivel apropiado.

**NOTA:** Revise el aceite frecuentemente durante el despegue del motor.

## Agregue Gasolina

**ADVERTENCIA**

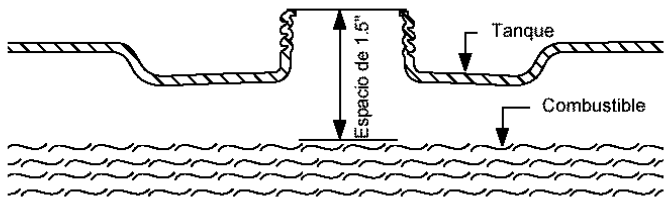
	La combustible y sus vapores son extremadamente inflamables y explosivos.
	El fuego o una explosión pueden causar quemaduras severas e inclusive la muerte.

**CUANDO AÑADA COMBUSTIBLE**

- Apague el generador (posición OFF) y déjelo enfriar al menos por 2 minutos antes de remover la tapa de la combustible. Afloje la tapa lentamente para dejar que la presión salga del tanque.
- Llene el depósito de combustible a la intemperie.
- NO llene demasiado el tanque. Permita al menos espacio para la expansión del combustible.
- Mantenga la combustible alejada de chispas, llamas abiertas, pilotos, calor y otras fuentes de ignición.
- NO encienda un cigarrillo o fume.

**NOTA:** Este motor está certificado para funcionar con gasolina. Sistema de control de emisiones de gases de escape: EM (Modificaciones del motor).

- Utilice gasolina normal sin plomo, limpia y nueva con un mínimo de 85 octanos. NO utilice combustible que contenga metanol ni mezcle aceite con combustible.
- Limpie el área alrededor de la tapa de llenado del combustible, retire la tapa.
- Agregue lentamente gasolina regular "SIN PLOMO" al tanque de combustible. Use un embudo para evitar que se derrame. Llene el tanque lentamente hasta aproximadamente 1.5" por debajo de la parte la cima del cuello del tubo de llenado.



- Instale la tapa del tanque de combustible y limpie la gasolina que se haya derramado.

**¡PRECAUCIÓN!** Los combustibles con mezcla de alcohol (gasohol, etanol o metanol) pueden atraer la humedad y provocar la separación y formación de ácidos durante el almacenamiento. Los gases ácidos pueden dañar el circuito de combustible y el motor durante el almacenamiento.

Para evitar este tipo de problemas, vacíe el circuito de combustible cuando vaya a almacenar la unidad durante 30 días o más. Vacíe el depósito de combustible, arranque el motor y déjelo funcionar hasta que los conductos de combustible y el carburador queden vacíos. Utilice combustible nuevo la próxima temporada. Para obtener más información al respecto, consulte "Almacenamiento" en la página 46.

**NUNCA** utilice productos limpiadores para motores o carburadores en el depósito de combustible, ya que podrían provocar daños permanentes.

# FUNCIONAMIENTO

## COMO USAR SU GENERADOR

Si tiene problemas operando su generador, por favor llame a la línea de ayuda para generadores al 1-800-222-3136.

### Tierra del Sistema

El generador dispone de una conexión a tierra del sistema que conecta los componentes del bastidor a los terminales de tierra de los enchufes hembra de salida de CA. La tierra del sistema está conectada al cable de CA neutro que, a su vez, está conectado al bastidor del generador.

### Requisitos Especiales

Es posible que haya normas u ordenanzas locales y nacionales en materia de seguridad e higiene en el trabajo aplicables al uso del generador. Consulte con un electricista cualificado, un inspector eléctrico o el organismo competente.

- En algunas zonas, es obligatorio registrar los generadores en las compañías eléctricas locales.
- Si el generador se utiliza en una obra, puede ser necesario cumplir normas y requisitos adicionales.

### Conexión al Sistema Eléctrico de un Edificio

Las conexiones a efectos de alimentación de reserva al sistema eléctrico de un edificio deben ser realizadas por un electricista cualificado. La conexión debe aislar la alimentación del generador de la alimentación de la red pública y debe cumplir todas las leyes y normas eléctricas vigentes.

#### ADVERTENCIA

Los generadores producen un voltaje muy poderoso.

Si no aísla el generador de utilidades de energía, puede hacer que los trabajadores de electricidad sufran heridas graves e inclusive la muerte, debido a la retroalimentación de la energía eléctrica.



- Cuando use un generador como poder de energía auxiliar, notifique a la compañía de utilidades. Use el equipo de transferencia aprobado para aislar el generador de otra utilidad eléctrica.
- Use un interruptor para la falla del circuito de tierra (GFCI) en cualquier área bastante húmeda o que sea altamente conductiva, tales como terrazas de metal o trabajo hecho con acero.
- NO toque los alambres pelados o receptáculos.
- NO use un generador con cables eléctricos que estén malgastados, rotos, pelados o dañados de cualquier forma.
- NO opere el generador bajo la lluvia.
- NO maneje el generador o cables eléctricos mientras esté parado en agua, descalzo o cuando las manos y los pies estén mojados.
- NO permita que personas descalificadas o niños operen o sirvan al generador.

## Ubicación del Generador

### Espacio Libre Alrededor del Generador

#### ADVERTENCIA



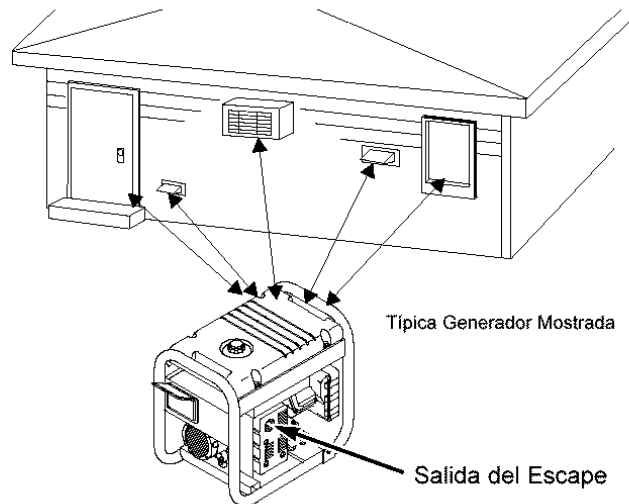
Al generador funcionar, se produce monóxido de carbono, un gas inodoro y venenoso.

El respirar el monóxido de carbono, producirá náusea, desmayo o la muerte.

- Opere el generador SOLAMENTE al aire libre.
- Asegúrese de que los gases de escape no puedan entrar por ventanas, puertas, tomas de aire de ventilación u otras aberturas en un espacio cerrado en el que puedan acumularse.
- NO opere el generador dentro de un edificio o lugar cerrado, incluyendo el compartimiento del generador en un vehículo recreativo o RV.

El generador debe estar situado a un mínimo de 152 cm (5 pies) de toda estructura con muros combustibles y/o otras materias combustibles. Mantenga un mínimo de 92 cm (3 pies) alrededor del generador, incluido la parte superior, para facilitar la ventilación y el mantenimiento del generador.

Sítúe el generador en una zona bien ventilada que permita la eliminación de los gases de escape mortales. No instale el generador en lugares en los que los gases de escape se puedan acumular o entrar en un edificio que pueda estar ocupado. Asegúrese de que los gases de escape no puedan entrar por ventanas, puertas, tomas de aire de ventilación u otras aberturas en un espacio cerrado en el que puedan acumularse. Tenga en cuenta los vientos y las corrientes de aire preponderantes cuando elija la ubicación del generador.



## PARA ENCENDER EL MOTOR

### PRECAUCIÓN

El sobrepasar la capacidad del amperaje y vataje del generador, puede dañar al generador y los aparatos eléctricos conectados al mismo.

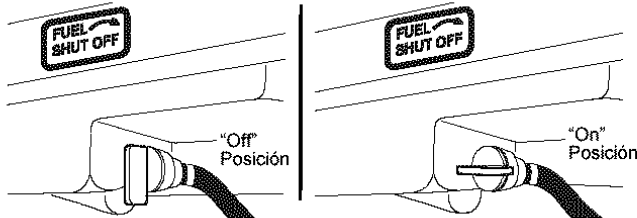
- Vea "No sobrecargue generador".
- Encienda su generador y deje que el motor se estabilice antes de conectar las cargas eléctricas.
- Conecte las cargas eléctricas en la posición de apagado (OFF), luego encienda (ON) para su operación.
- Apague (OFF) las cargas eléctricas y desconéctelas del generador antes de parar el generador.

Desconecte todas las cargas eléctricas del generador. Use las siguientes instrucciones para encender, paso por paso, en orden numérico.

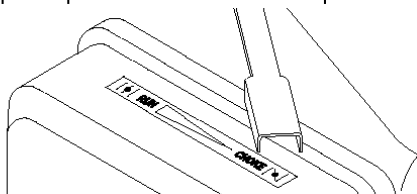
1. Asegúrese de que la unidad está en una superficie plana.

**IMPORTANTE:** Si la unidad no se arranca y utiliza en una superficie plana, se pueden producir problemas de arranque y de parada durante el funcionamiento.

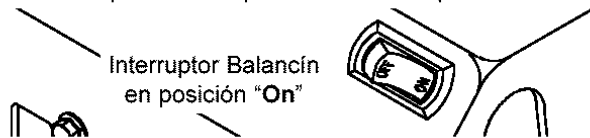
2. Gire la válvula del combustible a la posición "On".



3. Coloque la palanca de choke en la posición "Choke".



4. Coloque el interruptor balancín a la posición "On".



5. Agarre la manilla de retroceso y hale lentamente hasta que puede sentir un poco de resistencia. Luego hale rápidamente para encender el motor.

### ADVERTENCIA



El rápido repliegue del cable del arrancador (retroceso) impedirá que el usuario suelte el cable a tiempo y tirará de su mano y brazo hacia el motor. Como resultado, podrían producirse fracturas, contusiones o esguinces.

- Cuando arranque el motor, tire lentamente del cable hasta sentir una resistencia y, a continuación, tire rápidamente de él para evitar su retroceso.
- NUNCA arranque o pare el motor cuando haya aparatos eléctricos conectados y en funcionamiento.

**IMPORTANTE:** Si el motor se desborda, coloque la palanca estranguladora en la posición "Run" e intente arrancarlo hasta conseguirlo.

6. Mueva la palanca de choke a la posición "Run" una distancia corta a la vez por algunos segundos en un clima cálido, o algunos minutos en un clima frío. Deje que el motor corra suavemente antes de cada cambio. Opere con el choke en la posición "Run".

**NOTA:** Si el motor arranca después de tirar tres veces del arrancador pero no sigue funcionando, o si la unidad se para en funcionamiento, asegúrese de que la unidad está en una superficie plana y compruebe que el nivel de aceite del cigüeñal es correcto. La unidad puede equiparse con un dispositivo de protección de bajo nivel de aceite.

### ADVERTENCIA



Los motores al funcionar producen calor. La temperatura del silenciador y de las áreas cercanas puede alcanzar o pasar los 150°F (65°C).



Quemaduras severas pueden ocurrir al hacer contacto.

Los residuos como hojas, hierba, maleza, etc. se pueden inflamar.

- NO toque las superficies calientes.
- Permita que el equipo se enfríe antes de tocarlo.
- El generador debe estar situado a un mínimo de 152 cm (5 pies) de toda estructura con muros combustibles y/o otras materias combustibles.
- Mantenga un mínimo de 92 cm (3 pies) alrededor de la carcasa del generador, para facilitar la ventilación y el mantenimiento del generador.
- En el estado de California es obligatorio, según la ley, el uso de apagachispas (Sección 4442 del Código de Recursos Públicos de California). Otros estados pueden tener leyes similares. Las leyes federales se aplican en tierras federales. Si equipa el silenciador con un apagachispas, este deberá ser mantenido en buenas condiciones de trabajo. Usted puede ordenar el apagachispas a través de su distribuidor de servicio autorizado Sears.

### Parado del Motor

1. Desconecte todas las cargas eléctricas de la unidad. NUNCA arranque o detenga el motor con dispositivos eléctricos conectados a él y **encendidos**.
2. Permita que el motor funcione sin carga durante dos minutos para estabilizar las temperaturas internas de la unidad.
3. Mueva el interruptor del motor a la posición "Off" (Apagado).
4. Gire la válvula a la posición "Off" (Apagado).

### PRECAUCIÓN

NO coloque la palanca estranguladora en la posición "Choke" para parar el motor. El motor podría petardear, incendiarse o dañarse.

### Conexion de Cargas Electricas

- NO conecte cargas de 240 Voltios a tomacorrientes de 120 Voltios.
- NO conecte cargas trifásicas al generador.
- NO conecte cargas de 50 Hz al generador.
- Deje que el motor se estabilice y se caliente por unos minutos después del arranque.
- Conecte y encienda las cargas eléctricas de 120 y/o 240 Voltios AC monofásicas de 60 Hz que desee.
- NO SOBRECARGUE EL GENERADOR. Vea "No Sobrecargue Generador".

## JUEGOS DE CORDONES Y ENCHUFES CONECTORES



### PRECAUCIÓN

El valor nominal que se indica en los enchufes hembra puede ser superior a la capacidad de salida del generador.

- NUNCA intente suministrar corriente a un dispositivo de amperaje superior al que puede suministrar el generador o el enchufe hembra.
- NO sobrecargue el generador. Consulte el apartado "No Sobrecargue Generador".

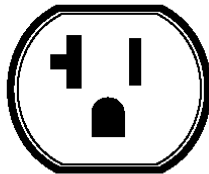
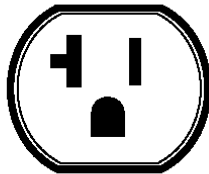
Use únicamente cordones de extensión de alta calidad y bien aislados con los tomacorrientes eléctricos dobles de 120 Voltios del generador.

Revise las capacidades de todos los cordones de extensión antes de usarlos. Los juegos de cordones de extensión utilizados deberán tener una capacidad de 125 Voltios AC a 20 Amperios o mayor para la mayoría de los dispositivos eléctricos. Sin embargo, algunos dispositivos podrían no requerir este tipo de cordón de extensión. Revise el manual del propietario de esos dispositivos para ver las recomendaciones del fabricante.

Mantenga los cordones de extensión lo más corto posible, preferiblemente menos de 15 pies de largo para evitar la caída de voltaje y posible recalentamiento de los alambres.

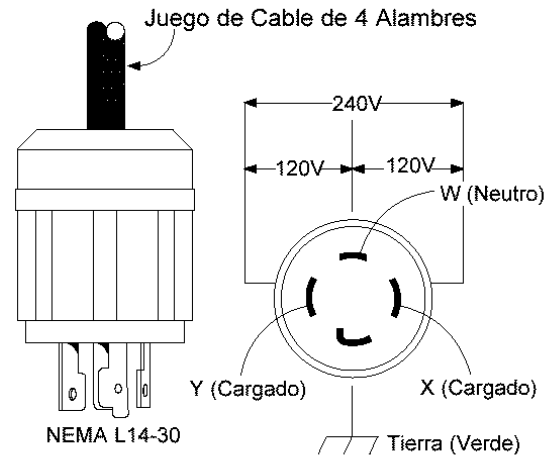
### Tomacorriente Doble de 120 Voltios AC

Cada tomacorriente está protegido contra sobrecargas por medio de un cortacircuito con dispositivo de reposición. Utilice cada uno de estos tomacorrientes para operar cargas eléctricas de 120 Voltios AC, monofásicas de 60 Hz que requieran hasta 2,400 vatios (2.4 kW) a 20 Amperios de corriente.



### Tomacorriente de 120/240 Voltios AC, 30 Amperios

Este es un tomacorriente de capacidad total, lo que significa que usted puede tomar el vatiaje nominal total de este solo tomacorriente. Este es un tomacorriente tipo NEMA L14-30. La toma está protegida por dos cortacircuitos de 30 Amperios con dispositivo de reposición.



Usted deberá usar un enchufe para conector tipo bloqueo NEMA L14-30 con el tomacorriente de 240 Voltios. Conecte un juego de cordones de 4 alambres al enchufe y a las cargas eléctricas deseadas. Los juegos de cordones deberán tener una capacidad de 250 Voltios AC a 30 Amperios.



# NO SOBRECARGUE GENERADOR

## Capacidad

Usted debe asegurarse que su generador puede proveer el suficiente vataje calificado (cuando esté funcionando) y de carga (al encender) para los aparatos a los cuales va a proveer la energía, al mismo tiempo. Siga estos pasos:

1. Seleccione los aparatos que recibirán la energía, al mismo tiempo.
2. Totalice los vatios calificados (cuando esté funcionando) de estos aparatos. Esta es la cantidad de energía que su generador debe producir para mantener esos aparatos funcionando adecuadamente.
3. Calcule la cantidad de vatios de carga (al encender) que usted necesitará. El vataje de carga es la cantidad mínima de electricidad, necesaria para encender herramientas o aparatos con motores eléctricos, tales como, sierras circulares o refrigeradores. Debido a que no todos los motores se encienden al mismo momento, el vataje total de carga se puede estimar al añadir solamente el(los) aparato(s) con el vataje adicional más alto, al total del vataje calificado, obtenido en el paso 2.

### Ejemplo:

Herramienta o Aparato Eléctrico	Vatios Calificados (cuando esté funcionando)	Vatios Adicionales de Carga (al encender)
Aire Acondicionado de Ventana	1200	1800
Refrigerador	800	1600
Congelador industrial	500	500
Televisión	500	-
Luz (75 Vatios)	75	-
	Total = 3075 Vatios para funcionar	1800 (Vatios de Carga más alto)

Vataje Total Calificado (cuando esté funcionando) = 3075

Vataje de Carga Adicional más alto = 1800

Salida Total Requerida del Generador = 4875

## Control de la Energía

Para prolongar la vida de su generador y los aparatos que estén conectados al mismo, es muy importante cuidarlo cuando se le añaden cargas eléctricas. Nada debería estar conectado a los tomacorrientes del generador antes de que su motor sea encendido. La forma correcta y más segura para controlar la energía del generador, es la de añadir en secuencias las cargas, como se describe a continuación:

1. Sin tener nada conectado al generador, encienda el motor de la manera descrita en este manual.
2. Conecte y encienda la primera carga, preferiblemente la mayor que usted tenga.
3. Permita que la salida del generador se estabilice (el motor funciona suavemente y el aparato conectado al mismo trabaja adecuadamente).

4. Conecte y encienda la próxima carga.
5. De nuevo, permita que el generador se estabilice.
6. Repita los pasos 4 y 5 para cada carga adicional que usted tenga.

NUNCA añada más cargas sobre la capacidad del generador. Tome una atención especial en considerar las cargas de corriente según la capacidad del generador, como se describe arriba.

Herramienta o Aparato Eléctrico	Vatios Calificados* (cuando esté funcionando)	Vatios Adicionales de Carga (al encender)
<b>Esenciales</b>		
Bombilla - 75 vatios	75	-
Congelador industrial	500	500
Bomba de aguas negras	800	1200
Refrigerador / congelador - 18 pies cúbicos	800	1600
Bomba de agua - 1/3 HP	1000	2000
<b>Calefacción / enfriamiento</b>		
Aire Acond. de ventana - 10.000 BTU	1200	1800
Ventilador de ventana	300	600
Calefactor de caldera - 1/2 HP	800	1300
<b>Cocina</b>		
Horno de microondas - 1.000 Vatios	1000	-
Cafetera	1500	-
Cocina eléctrica - Elemento simple	1500	-
Calientaplatos	2500	-
<b>Habitación Familiar</b>		
Tocador de DVD/CD	100	-
VCR	100	-
Receptor estéreo	450	-
Televisor a color - 27 pulg.	500	-
Computadora personal con monitor de 17 pulg.	800	-
<b>Otros</b>		
Sistema de seguridad	180	-
Radio-Reloj AM/FM	300	-
Abridor de garaje - 1/2 HP	480	520
Calentador eléctrico de agua - 40 galones	4000	-
<b>Taller</b>		
Luz de halógeno para trabajar	1000	-
Rociador sin aire - 1/3 HP	600	1200
Sierra intercambiable	960	960
Taladro eléctrico - 1/2 HP	1000	1000
Sierra circular - 7 1/4 pulg.	1500	1500
Sierra inglete- 10 pulg.	1800	1800
Mesa de planificación - 6 pulg.	1800	1800
Sierra de mesa / sierra de brazo radial - 10 pulg.	2000	2000
Compresor de aire - 1-1/2 HP HP = Caballo de fuerza.	2500	2500

\*El vataje que aparece en la lista es solamente una cantidad aproximada. Verifique la herramienta o aparato eléctrico para obtener el vataje verdadero.

# ESPECIFICACIONES

## INFORMACIÓN TÉCNICA SOBRE EL MOTOR

El motor es de uno cilindros, de válvulas en cabeza (OHV), refrigerado por aire y de baja emisión.

En el Estado de California, los motores de la serie 200000 han obtenido la certificación del California Air Resources Board (Consejo de recursos de aire de California) de cumplimiento de la normativa sobre emisiones durante 250 horas. Esta certificación no supone para el comprador, el propietario o el usuario ninguna garantía adicional en lo relativo al rendimiento y a la vida útil del motor. Las garantías del motor atañen exclusivamente al producto y a las emisiones que se declaran en este manual.

### Potencia Nominal

Los valores de potencia nominal de un modelo de motor se establecen en primer lugar con el código J1940 (Procedimiento de valoración de potencia y par de pequeños motores, Revisión 2002-05) de la SAE (Society of Automotive Engineers, Sociedad de ingenieros de automoción). Dada la amplia variedad de productos que utilizan nuestros motores y la multitud de factores ambientales que pueden afectar a su funcionamiento, el motor que ha adquirido puede no llegar a desarrollar su potencia nominal cuando se utilice con un aparato mecánico (potencia real "in situ"). Esta diferencia se debe, entre otros, a los siguientes factores: diferencias de altitud, temperatura, presión barométrica, humedad, combustible, lubricación del motor, velocidad máxima controlada del motor, variaciones entre distintos motores del mismo modelo, diseño del equipo mecánico utilizado, manera de hacer funcionar el motor, rodaje del motor para reducir la fricción y limpiar las cámaras de combustión, ajustes de las válvulas y el carburador, etc. Los valores de potencia nominal también se puede ajustar en función de las comparaciones con otros motores similares utilizados en aplicaciones similares, por lo que no coincidirá necesariamente con los valores que se obtienen al aplicar los códigos mencionados.

## ESPECIFICACIONES DEL PRODUCTO

### Especificaciones del Generador

Potencia Máxima	5,600 vatios (5.6 kW)
Potencia de Sobretensión	8,600 Vatios (8.6 kW)
Voltaje Nominal AC	120/240 Voltios
Corriente Máxima a 240 Voltios	23.3 Amperios
Corriente Máxima a 120 Voltios	46.6 Amperios
Frecuencia Nominal	60Hz a 3600 rpm
Fase	Monofásica
Peso que Embarca	170 lbs.

### Especificaciones del Motor

Caballos de Fuerza	10 a 3600 rpm
Diámetro de camisa	79 mm (3,12 pulgadas)
Carrera	62 mm (2,44 pulgadas)
Desplazamiento	305 cc (18,64 pulgadas)
Bujía	
Tipo:	Champion RC12YC o equivalente
Calibrar Separación a:	0.030 pulgadas (0.76mm)
Entrehierro del inducido:	0,20-0,30 mm (0,008-0,012 pulgadas)
Holgura de la válvula con muelles de válvula instalados y pistón de 6 mm (0,25 pulgadas) pasado el punto muerto superior (comprobar con el motor en frío)	
Admisión	0,10-0,15 mm (0,004-0,006 pulgadas)
Escape	0,10-0,15 mm (0,004-0,006 pulgadas)
Capacidad de Gasolina	5 galones americanos
Capacidad de Aceite	0.8 litros (28 onzas)
Tipo de Aceite	
Sobre 40°F	SAE 30
Debajo 40°F	SAE 5W-30 o 10W-30

# MANTENIMIENTO

## RESPONSIBILIDADES DEL CLIENTE

Siga los intervalos horarios o de calendario, lo que ocurra primero. Se requiere de servicio con mayor frecuencia cuando opere la unidad en las condiciones adversas descritas a continuación.

CALENDARIO DE MANTENIMIENTO ANOTE LAS FECHAS CONFORME CUMPLA CON EL SERVICIO NORMAL	INTERVALO DE OPERACIÓN POR HORA				FECHAS DE SERVICIO		
	Antes de Cada Uso	Cada 25 Horas o al Año	Cada 50 Horas o al Año	Cada 100 Horas o al Año			
TAREA DE MANTENIMIENTO							
Verificar el nivel de aceite	X						
Limpie los residuos	X						
Cambiar el aceite del motor			X <sup>1</sup>				
Servicio al filtro de aire		X <sup>2</sup>					
Servicio a la bujía				X			
Servicio al sistema de la bujía				X			
Limpie el sistema de refrigeración				X <sup>2</sup>			
Prepar almacenamiento	Si la unidad permanecerá sin uso por más de 30 días.						

<sup>1</sup> Cambiar el aceite después de las primeras (5) horas y después cada 50 horas.

Hacer el cambio de aceite con mayor frecuencia cuando trabaje en condiciones de mucha suciedad o polvo.

<sup>2</sup> Reemplazar más a menudo bajo condiciones de suciedad o polvo.

## RECOMENDACIONES GENERALES

El mantenimiento periódico mejorará el rendimiento y prolongará la vida útil del generador. Acuda a un distribuidor autorizado de Sears para reparar la unidad.

La garantía del generador no cubre los elementos que hayan sido sujetos al abuso o negligencia del operador. Para recibir el valor completo de la garantía, el operador deberá mantener el generador de la forma descrita en este manual.

Se deberán llevar a cabo algunos ajustes periódicamente para mantener correctamente su generador.

Todos los ajustes de la sección Servicio y Ajustes de este manual deberán ser hechos por lo menos una vez en cada estación. Cumpla con los requisitos de la tabla "Programa de Mantenimiento" descrita anteriormente.

**NOTA:** Una vez al año deberá limpiar o reemplazar la bujía y reemplazar el filtro de aire. Una bujía nueva y un filtro de aire limpio garantizan una mezcla de combustible-aire adecuada y ayuda a que su motor funcione mejor y tenga una vida útil más prolongada.

## CONTROL DE EMISIONES

Cualquier establecimiento o individuo especializado en la reparación de motores que no sean de automoción puede encargarse del mantenimiento, la sustitución y la reparación de los dispositivos y sistemas de control de emisiones.

## Mantenimiento del Generador

El mantenimiento del generador consiste en conservar la unidad limpia y seca. Opere y almacene la unidad en un ambiente limpio y seco donde no será expuesta al polvo, suciedad, humedad o vapores corrosivos. Las ranuras del aire de enfriamiento del generador no deben estar tapadas con nieve, hojas, o cualquier otro material extraños.

Revise frecuentemente la limpieza del generador y límpielo cuando esté con polvo, sucio, con aceite, humedad, o cuando otras substancias extrañas sean visibles en su superficie exterior.

**NOTA:** NO recomendamos el uso de mangueras de jardín para limpiar el generador. El agua podría introducirse en el sistema de combustible del motor y causar problemas. Además, si el agua se introduce al generador a través de las ranuras para aire de enfriamiento, algo del agua quedará retenida en los espacios vacíos y grietas del aislamiento del devanado del estator y rotor. La acumulación de agua y suciedad en los devanados internos del generador disminuirá eventualmente la resistencia del aislamiento de estos devanados.

## Limpieza del Generador

Limpie a diario, o antes de cada uso, los residuos acumulados en el generador. Mantenga limpias las conexiones, los muelles y los mandos. Limpie todo resto de combustible de la zona que rodea al silenciador y de detrás del mismo.

Mantenga limpios los componentes del generador para reducir el riesgo de sobrecalentamiento e ignición de los residuos acumulados.

- Utilice un trapo húmedo para limpiar las superficies exteriores.

## PRECAUCIÓN

El tratamiento inadecuado del generador puede dañarlo y acortar su vida productiva.

- NO exponga al generador a una humedad excesiva, polvo, suciedad o vapores corrosivos.
- NO inserte cualquier objeto a través de las ranuras de enfriamiento.
- Puede usar un cepillo de cerdas suaves para retirar la suciedad endurecida, aceite, etc.
- Puede usar una máquina aspiradora para eliminar suciedad y residuos sueltos.
- Puede usar aire a baja presión (que no exceda los 25 psi) para eliminar la suciedad. Inspeccione las ranuras para aire de enfriamiento y la apertura del generador. Estas aperturas deberán mantenerse limpias y despejadas.

## MANTENIMIENTO DEL MOTOR

	<b>ADVERTENCIA</b>
	Chispear involuntario puede tener como resultado el fuego o el golpe eléctrico.
	
<b>CUANDO AJUSTE O HAGA REPARACIONES A SU GENERADOR</b>	
<ul style="list-style-type: none"><li>• Siempre desconecte el alambre de la bujía y colóquelo donde no pueda entrar en contacto con la bujía.</li></ul>	
<b>CUANDO PRUEBE LA BUJÍA DEL MOTOR</b>	
<ul style="list-style-type: none"><li>• Utilice un comprobador de bujías homologado.</li><li>• NO compruebe la chispa sin la bujía instalada.</li></ul>	

### Revisión del Nivel de Aceite

El nivel de aceite deberá revisarse antes de cada uso o por lo menos cada 5 horas de operación. Conserve el nivel de aceite adecuado.

### Cambio de Aceite del Motor y Filtro

Cambie el aceite después de las primeras 5 horas de operación. Cambie el aceite y el filtro cada 50 horas de ese momento en adelante. Si está utilizando su generador bajo condiciones de extrema suciedad o polvo, o en un clima demasiado caliente, haga el cambio de aceite más frecuentemente.

	<b>PRECAUCIÓN</b>
Evite el contacto prolongado o repetido de piel con aceite usado de motor.	
<ul style="list-style-type: none"><li>• El aceite usado del motor ha sido mostrado al cáncer de la piel de la causa en ciertos animales del laboratorio.</li><li>• Completamente lavado expuso áreas con el jabón y el agua.</li></ul>	



MANTENGA FUERA DE ALCANCE DE NIÑOS.  
NO CONTAMINE. CONSERVE los RECURSOS.  
VUELVA ACEITE USADO A la COLECCION  
CENTRA.

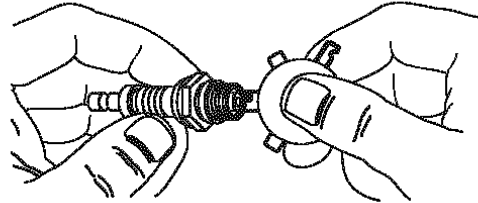
**Cambie el aceite cuando el motor todavía se encuentre caliente después del funcionamiento, como se indica a continuación:**

1. Limpie el área alrededor del tapón para drenaje de aceite.
2. Retire el tapón de drenaje de aceite y el tapón de llenado del aceite y drene el aceite por completo en un recipiente adecuado.
3. Cuando haya drenado el aceite completamente, instale el tapón para drenaje de aceite y apriételo firmemente.
4. Llène con el aceite recomendado. (Vea "Antes de Poner en Marcha el Generador" en la página 37 para las recomendaciones del aceite).
5. Instale el tapón de llenado del aceite y asegúrelo.
6. Limpie cualquier derrame de aceite.

### Limpe/Reemplace la Bujía

Cambie la bujía cada 100 horas de operación o una vez al año, lo que suceda primero. Esto ayudará a su motor a arrancar más fácilmente y a funcionar mejor.

1. Limpie el área alrededor de la bujía.
2. Retire y revise la bujía.
3. Revise la separación del electrodo con un calibrador de alambre y ajuste la separación a 0.030 pulgadas (0.76mm) si es necesario.



4. Reemplace la bujía si los electrodos están picados, quemados o si la porcelana está rota. Utilice una bujía de repuesto recomendada.

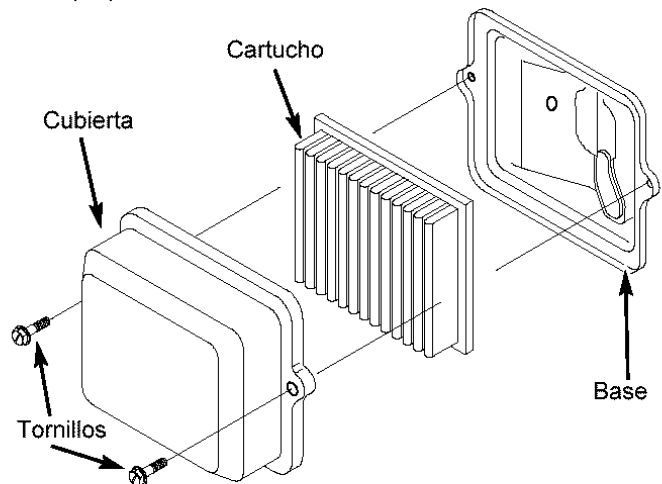
**NOTA:** Puede adquirir nuevos bujía al número telefónico 1-800-366-PART.

### Proporcione Servicio al Depurador de Aire

Su motor no funcionará correctamente y podría resultar dañado si lo hace funcionar con un depurador de aire sucio. Limpie o reemplace el filtro de papel del depurador de aire cada 25 horas de operación o una vez al año, lo que suceda primero. Límpielo o reemplácelo más a menudo si la unidad funciona bajo condiciones de suciedad o polvo excesivo.

#### Atienda al Filtro del Aire

1. Afloje los tornillos y quite aire la cubierta más limpia. Quite papel el filtro.
2. Instale limpie (o nuevo) aire la asamblea más limpia dentro de la cubierta. Deshágase del filtro viejo apropiadamente.



- Arme la cubierta más limpia aérea en la base y apriete los tornillos.

**NOTA:** Si necesita ordenar un filtro de papel nuevo, por favor llame al **1-800-366-PART**.

## Carburador

Si usted cree que su carburador necesita ajuste, visite su centro de servicio Sears más cercano. El funcionamiento del motor podría resultar afectado a altitudes por encima de 3000 pies. Para operaciones a elevaciones mayores, póngase en contacto con el centro de servicio Sears más cercano.

## Limpie la Pantalla Apagachispas

El silenciador del escape del motor posee una pantalla apagachispas. Inspeccione y limpie la pantalla cada 100 horas de operación o una vez al año, lo que suceda primero.

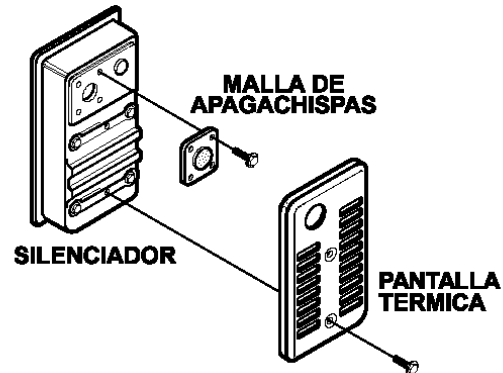
<b>⚠ ADVERTENCIA</b>	
	Los motores al funcionar producen calor. La temperatura del silenciador y de las áreas cercanas puede alcanzar o pasar los 150°F (65°C).
	Quemaduras severas pueden ocurrir al hacer contacto.
Los residuos como hojas, hierba, maleza, etc. se pueden inflamar.	
<ul style="list-style-type: none"> <li>NO toque las superficies calientes.</li> <li>Permita que el equipo se enfríe antes de tocarlo.</li> <li>El generador debe estar situado a un mínimo de 152 cm (5 pies) de toda estructura con muros combustibles y/o otras materias combustibles.</li> <li>Mantenga un mínimo de 92 cm (3 pies) alrededor de la carcasa del generador, para facilitar la ventilación y el mantenimiento del generador.</li> <li>En el estado de California es obligatorio, según la ley, el uso de apagachispas (Sección 4442 del Código de Recursos Públicos de California). Otros estados pueden tener leyes similares. Las leyes federales se aplican en tierras federales. Si equipa el silenciador con un apagachispas, este deberá ser mantenido en buenas condiciones de trabajo. Usted puede ordenar el apagachispas a través de su distribuidor de servicio autorizado Sears.</li> </ul>	

**NOTA:** Usted puede comprar los apagachispas a través nuevos llamando al **1-800-366-PART**.

El generador tendrá que tener un apagachispas si lo usa en terrenos no tratados cubiertos de monte, maleza o pasto. El apagachispas deberá ser mantenido en buenas condiciones por parte del propietario/operador.

**Limpie e inspeccione el apagachispas de la siguiente manera:**

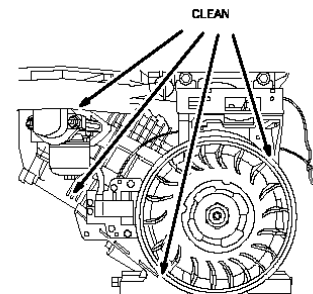
- Para retirar la protección del silenciador, retire los cuatro tornillos que conectan la protección a la ménsula del silenciador.



- Retire los cuatro tornillos que sostienen la pantalla apagachispas.
- Inspeccione la pantalla y reemplácela si está rota, perforada o dañada. NO use pantallas defectuosas. Si la pantalla no está dañada, límpiela con un disolvente comercial.
- Vuelva a instalar la pantalla y la protección del silenciador.

## Sistema de Refrigeración de Aire

Con el tiempo, se pueden acumular residuos en las aletas de refrigeración del cilindro y pasar inadvertidos mientras no se desmonte parcialmente el motor. Recomendamos que encargue la limpieza del sistema de refrigeración a un distribuidor autorizado de servicio Sears siguiendo los intervalos recomendados (consulte la sección "Plan de mantenimiento" en la página 43). Es igualmente importante que no se acumulen residuos en el motor. Consulte la sección "Limpieza del generador".



# ALMACENAMIENTO

## GENERALIDADES

El generador deberá ser encendido al menos una vez cada siete días y deberá dejarlo funcionar al menos durante 30 minutos. Si no puede hacer esto y debe almacenar la unidad por más de 30 días, siga las siguientes instrucciones para preparar su unidad para almacenamiento.

## Almacenamiento Para Periodos Prolongados

Es importante evitar que se formen depósitos de goma en las partes esenciales del sistema de combustible, como el carburador, filtro de combustible, manguera o tanque de combustible, durante el almacenamiento. También, la experiencia indica que los combustibles con mezclas de alcohol (llamados gasohol, etanol o metanol) pueden atraer humedad, la cual lleva a la separación y formación de ácidos durante el almacenamiento. El gas ácido puede dañar el sistema de combustible de un motor durante su almacenamiento.

Para evitar problemas del motor, el sistema de combustible deberá desocuparse antes de un almacenamiento de 30 días o más. Siga estas instrucciones:

 <b>ADVERTENCIA</b>	
	La combustible y sus vapores son extremadamente inflamables y explosivos.
	El fuego o una explosión pueden causar quemaduras severas e inclusive la muerte.
<b>CUANDO ALMACENE O GUARDE EL EQUIPO CON COMBUSTIBLE EN EL TANQUE</b>	
<ul style="list-style-type: none"><li>Almacene alejado de calderas, estufas, calentadores de agua, secadoras de ropa u otros aparatos electrodomésticos que posean pilotos u otras fuentes de ignición, porque ellos pueden encender los vapores de la combustible.</li></ul>	
<b>CUANDO VACÍE EL DEPÓSITO DE COMBUSTIBLE</b>	
<ul style="list-style-type: none"><li>Apague el generador (posición OFF) y déjelo enfriar al menos por 2 minutos antes de remover la tapa de la combustible. Afloje la tapa lentamente para dejar que la presión salga del tanque.</li><li>Vacíe el depósito de combustible a la intemperie.</li><li>Mantenga la combustible alejada de chispas, llamas abiertas, pilotos, calor y otras fuentes de ignición.</li><li>NO encienda un cigarrillo o fume.</li></ul>	

## Proteja el Sistema de Combustible




- Retire toda la gasolina del tanque de combustible para evitar que se formen depósitos de goma en estas partes y causen posible mal funcionamiento del motor.
- Haga funcionar el motor hasta que se detenga por la falta de combustible.

## Cambio de Aceite

Con el motor todavía caliente, drene el aceite de la caja del cigüeñal. Vuelva a llenarlo con el grado de aceite recomendado.

## Aceite el Diámetro Interior del Cilindro

- Quite la bujía y vierta aproximadamente 30 ml (1 onza) de aceite de motor limpio en el interior del cilindro.
- Coloque la bujía y arranque lentamente para distribuir el aceite.


 <b>ADVERTENCIA</b>	
	Chispear involuntario puede tener como resultado el fuego o el golpe eléctrico.
	
<ul style="list-style-type: none"><li>NUNCA arranque el motor sin la bujía instalada.</li></ul>	

## Generador

- Limpie el generador como está descrito en la página 43 ("Limpieza del Generador").
- Revise que las ranuras para el aire de enfriamiento y las aperturas del generador se encuentren abiertas y despejadas.

## Otras Sugerencias Para el Almacenamiento

- NO almacene gasolina de una estación a otra.
- Reemplace la caneca de gasolina si comienza a oxidarse. El óxido y/o la suciedad en la gasolina le causará problemas.
- Si es posible, almacene su unidad en un recinto encerrado y cúbrala para protegerla del polvo y la suciedad. **ASEGURESE DE VACIAR EL TANQUE DEL COMBUSTIBLE.**
- Cubra su unidad con una cubierta de protección adecuada que no retenga humedad.
- Almacene la unidad en un área limpia y seca.

 <b>ADVERTENCIA</b>	
Las cubiertas para almacenamiento pueden ser inflamables.	
<ul style="list-style-type: none"><li>NO coloque una cubierta encima de un generador caliente.</li><li>Deje que la unidad se enfríe lo suficientemente antes de que le coloque la cubierta.</li></ul>	

# DIAGNOSTICOS DE AVERÍAS

Problema	Causa	Accion
El motor está funcionando pero no existe salida de AC disponible.	<ol style="list-style-type: none"> <li>1. El interruptor automático de circuito está abierto.</li> <li>2. Conexión mal o defectuosa del juego de cables.</li> <li>3. El dispositivo conectado está dañado.</li> <li>4. Avería en el generador.</li> </ol>	<ol style="list-style-type: none"> <li>1. Reposicione el interruptor.</li> <li>2. Revise y repare.</li> <li>3. Conecte otro dispositivo que esté buenas condiciones.</li> <li>4. Contacte el Departamento de Servicio Sears.</li> </ol>
El motor funciona bien sin carga pero "funciona mal" cuando se le conectan cargas.	<ol style="list-style-type: none"> <li>1. Corto circuito en una de las cargas conectadas.</li> <li>2. El generador está sobrecarga.</li> <li>3. Velocidad del motor es muy lenta.</li> <li>4. Circuito del generador en corto.</li> </ol>	<ol style="list-style-type: none"> <li>1. Desconecte la carga eléctrica en corto.</li> <li>2. Vea "No Sobrerecarque Generador".</li> <li>3. Contacte el Departamento de Servicio Sears.</li> <li>4. Contacte el Departamento de Servicio Sears.</li> </ol>
El motor no se enciende; o se enciende y funciona mal.	<ol style="list-style-type: none"> <li>1. Válvula del Combustible en posición "Off".</li> <li>2. Interruptor Run/Stop poscioando en "Stop".</li> <li>3. Depurador de aire sucio.</li> <li>4. Sin gasolina.</li> <li>5. Gasolina vieja.</li> <li>6. El cable de la bujía no está en malas la bujía.</li> <li>7. Bujía defectuosa.</li> <li>8. Agua en la gasolina.</li> <li>9. Sobrecebado.</li> <li>10. Mezcla de combustible excesivamente rica.</li> <li>11. La válvula de corte de combustible.</li> <li>12. La válvula de entrada está atascada está cerrada.</li> <li>13. El motor ha perdido compresión.</li> </ol>	<ol style="list-style-type: none"> <li>1. Gire la válvula del combustible a la posición "On".</li> <li>2. Coloque del interruptor en "Run".</li> <li>3. Limpie o reemplace el depurador de aire.</li> <li>4. Llénelo con combustible fresco.</li> <li>5. Drene el tanque de gasolina; llénelo con combustible fresco.</li> <li>6. Conecte el cable a la bujía.</li> <li>7. Reemplace la bujía.</li> <li>8. Drene el tanque de gasolina; llénelo con combustible fresco.</li> <li>9. Abra por completo el cebador y haga girar el motor.</li> <li>10. Contacte el Departamento de Servicio Sears.</li> <li>11. Contacte el Departamento de Servicio Sears.</li> <li>12. Contacte el Departamento de Servicio Sears.</li> <li>13. Contacte el Departamento de Servicio Sears.</li> </ol>
El motor se apaga en pleno funcionamiento.	Sin gasolina.	Llene el tanque de combustible.
Al motor le hace falta potencia.	<ol style="list-style-type: none"> <li>1. La carga es muy alta.</li> <li>2. Filtro de aire sucio.</li> </ol>	<ol style="list-style-type: none"> <li>1. Vea "No Sobrerecarque Generador".</li> <li>2. Reemplace el filtro de aire.</li> </ol>
El motor "no funciona continuamente" o se detiene.	<ol style="list-style-type: none"> <li>1. El cebador fue abierto muy rápidamente.</li> <li>2. Carburador con mezcla de aire-combustible muy rica o muy pobre.</li> </ol>	<ol style="list-style-type: none"> <li>1. Mueva el cebador a la posición intermedia hasta que el motor funcione suavemente.</li> <li>2. Contacte el Departamento de Servicio Sears.</li> </ol>

# GARANTIA DEL SISTEMA DE CONTROL DE EMISIONES

Sears, Roebuck and Co., U.S.A. (Sears), California Air Resources Board (Consejo de Recursos sobre el Aire de California, CARB, por sus siglas en inglés) y United States Environmental Protection Agency (Agencia de Protección Ambiental de EE.UU. , EPA, por sus siglas en inglés).

## Declaración de garantía del sistema de control de emisiones (derechos y obligaciones del propietario para la garantía contra defectos)

LA COBERTURA DE LA GARANTÍA DE CONTROL DE EMISIONES SE APLICA A LOS MOTORES CERTIFICADOS ADQUIRIDOS EN CALIFORNIA EN 1995 Y POSTERIORMENTE, QUE SE UTILICEN EN CALIFORNIA, Y A MOTORES CERTIFICADOS MODELO 1997 Y POSTERIORES QUE SEAN ADQUIRIDOS Y UTILIZADOS EN OTRA REGIÓN DE ESTADOS UNIDOS (Y A PARTIR DEL 1º DE ENERO DE 2001, EN CANADÁ).

### Declaración de garantía sobre el control de emisiones de la EPA de EE.UU. y California.

El California Air Resources Board (CARB), la EPA de EE.UU. y Sears se complacen en explicar la Garantía para el sistema de control de emisiones para motores pequeños para exteriores (SORE) modelos año 2000 y posteriores. En California, los nuevos motores pequeños para exteriores se deben diseñar, construir y equipar para cumplir con las estrictas normas del estado contra el smog. En otras regiones de Estados Unidos, los nuevos motores para interiores de ignición por chispa certificados para modelos año 1997 y posteriores deben cumplir con normas similares establecidas por la EPA de EE.UU. Sears debe garantizar el sistema de control de emisiones de su motor para los períodos indicados a continuación, siempre y cuando no se haya abusado, descuidado o dado mantenimiento incorrecto al motor pequeño para exteriores.

Su sistema de control de emisiones podrá incluir partes como el carburador o el sistema de inyección de combustible, el sistema de ignición y el convertidor catalítico. También se pueden incluir mangueras, correas, conectores y otros componentes relacionados con las emisiones.

Cuando exista una condición que pueda ser cubierta por la garantía, Sears reparará el motor pequeño para exteriores sin costo alguno, incluyendo el diagnóstico, las partes de repuesto y la mano de obra.

### Cobertura de la garantía de Sears contra defectos en el control de emisiones

Los motores pequeños para exteriores modelos 1995 y posteriores tienen una garantía de dos años. Si alguna parte de su motor relacionada con las emisiones está defectuosa, Sears la reparará o sustituirá.

### Responsabilidades del propietario para la garantía

Como propietario del motor pequeño para exteriores, usted es responsable de realizar las actividades de mantenimiento requeridas que se indican en este manual del propietario. Sears recomienda que conserve todos los recibos que cubran el mantenimiento de su motor pequeño para exteriores, pero Sears no puede negar la garantía solamente por la falta de recibos ni por su imposibilidad de garantizar la realización de todas las actividades de mantenimiento programadas.

Como propietario del motor pequeño para exteriores, usted siempre debe tener en cuenta que Sears podrá negar la cobertura de la garantía si su motor pequeño para exteriores o una parte del mismo presenta fallas debido a abuso, descuido, mantenimiento incorrecto o modificaciones no aprobadas.

Usted es responsable de presentar su motor pequeño para exteriores a un Centro de servicio Sears aprobado tan pronto como se presente el problema. Las reparaciones bajo garantía deberán concluirse en un período razonable, que no excederá de 30 días.

Si tiene alguna pregunta con respecto a sus derechos y responsabilidades para la garantía, póngase en contacto con un representante de servicio Sears al 1-800-469-4663.

### Disposiciones de la garantía de Sears contra defectos en el control de emisiones

Las siguientes son disposiciones específicas relacionadas con la cobertura de la garantía contra defectos en el control de emisiones.

#### 1. Partes garantizadas

La cobertura bajo esta garantía incluye solamente aquellas partes que se enumeran a continuación (las partes del sistema de control

de emisiones) en la medida que dichas partes hayan estado presentes en el motor adquirido.

- a. Sistema de medición de combustible.  
Sistema de enriquecimiento para arranque en frío.  
Carburador y partes internas.  
Bomba de combustible.
- b. Sistema de inducción de aire.  
Filtro de aire.  
Colector de entrada.
- c. Sistema de ignición.  
Bujías.  
Sistema de ignición por magneto.
- d. Sistema catalizador.  
Convertidor catalítico.  
Colector de escape.  
Sistema de inyección de aire o válvula por impulsos.
- e. Distintos elementos utilizados en los sistemas anteriores.  
Válvulas e interruptores de vacío, temperatura, posición y de detección de tiempo.  
Conectores y conjuntos.

#### 2. Vigencia de la cobertura

Sears garantiza al propietario inicial y a cada propietario subsiguiente que las partes garantizadas estarán libres de defectos en material y en mano de obra, que ocasionen fallas de las partes garantizadas durante un período de dos años a partir de la fecha en que el motor sea entregado al comprador minorista.

#### 3. No habrá cargos

La reparación o reemplazo de cualquier parte garantizada se realizará sin cargo alguno para el propietario, incluyendo la mano de obra de diagnóstico que derive en la determinación de que una parte garantizada está defectuosa, si la labor de diagnóstico se realiza en un Centro de servicio Sears aprobado.

#### 4. Reclamos y exclusiones de cobertura

Los reclamos vinculados con la garantía se presentarán conforme a las disposiciones de la Póliza de garantía de Sears. La cobertura de la garantía se excluirá para aquellas fallas de partes garantizadas que no sean partes originales de Sears o debido a abuso, descuido o mantenimiento incorrecto, según se establece en la Póliza de garantía de motores de Sears. Sears no es responsable por la cobertura de fallas de partes garantizadas ocasionadas por el uso de partes adicionales, no originales o modificadas.

#### 5. Mantenimiento

Cualquier parte garantizada cuyo reemplazo no esté programado como mantenimiento requerido o que esté programada únicamente para inspección frecuente con el fin de "reparar o reemplazar conforme sea necesario", estará garantizada en cuanto a defectos por el período de la garantía. Cualquier parte garantizada cuyo reemplazo esté programado como mantenimiento requerido tendrá solamente una garantía contra defectos únicamente por el período hasta el primer reemplazo programado para esa parte. Se podrá utilizar cualquier parte de repuesto que tenga un rendimiento y durabilidad equivalentes, al realizar cualquier actividad de mantenimiento o reparación. El propietario es responsable de realizar todo el mantenimiento requerido, según se define en este manual del propietario.

#### 6. Cobertura consiguiente

La cobertura bajo la presente se ampliará a la falla de cualquier componente del motor provocada por un desperfecto en cualquier parte garantizada que siga gozando de la cobertura de la garantía.

En EE.UU. y Canadá contamos con una línea de emergencia las 24 horas (1-800-469-4663), que ofrece un menú de mensajes pregrabados con información sobre mantenimiento de productos.



## Información Sobre el Período de Durabilidad de las Emisiones y el Índice de Aire en la Etiqueta de Emisiones del Motor

Los motores con certificación de cumplimiento de la normativa sobre emisiones de nivel 2 del California Air Resources Board (CARB) deben mostrar información sobre el periodo de durabilidad de las emisiones y el índice de aire. El fabricante del motor ofrece esta información al consumidor mediante etiquetas de emisiones.

El **Período de Durabilidad de las Emisiones** indica el número de horas durante las cuales el motor puede funcionar cumpliendo las normas sobre emisiones, siempre que se realicen las operaciones de mantenimiento que se detallan en las instrucciones de uso y mantenimiento. Se utilizan las siguientes categorías:

**Moderado:** El motor está certificado para cumplir la normativa sobre emisiones durante 125 horas de funcionamiento real.

**Intermedio:** El motor está certificado para cumplir la normativa sobre emisiones durante 250 horas de funcionamiento real.

**Prolongado:** El motor está certificado para cumplir la normativa sobre emisiones durante 500 horas de funcionamiento real.

Por ejemplo, un cortacésped con operario a pie se suele utilizar entre 20 y 25 horas al año. Por tanto, el **Período de Durabilidad de las Emisiones** de un motor con clasificación **intermedia** equivaldría a 10-12 años.

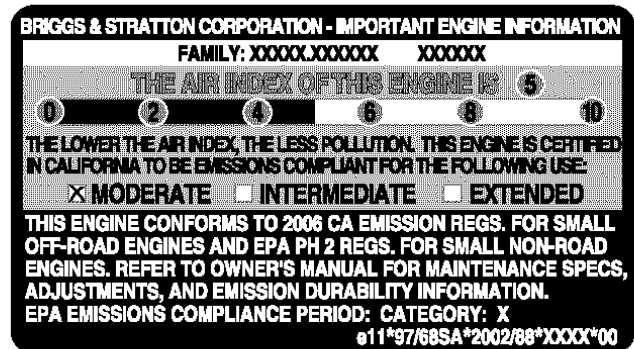
El **Índice de Aire** es un valor calculado que indica el nivel relativo de emisiones de una gama concreta de motores. Cuanto menor es el **Índice de Aire**, más limpio es el motor. Esta información se presenta en forma gráfica en la etiqueta de emisiones.

## Período de Cumplimiento de la Normativa de Emisiones en la Etiqueta de Cumplimiento de Emisiones del Motor

Desde el 1 de julio de 2000, algunos motores Sears cuentan con la certificación de cumplimiento de la fase 2 de las normas sobre emisiones de la United States Environmental Protection Agency (USEPA, Agencia estadounidense de protección del medioambiente). En el caso de los motores con certificación de fase 2, el período de cumplimiento de la normativa sobre emisiones que figura en la etiqueta de cumplimiento de emisiones indica el número de horas de funcionamiento durante las cuales el motor ha demostrado cumplir los requisitos federales sobre emisiones. Para motores de menos de 225 cc, Categoría C = 125 horas, B = 250 horas y A = 500 horas. Para motores de 225 cc o más, Categoría C = 250 horas, B = 500 horas y A = 1000 horas.

La clasificación de este motor es intermedia, con un índice de aire de 3. El período de cumplimiento de la normativa sobre emisiones de la EPA es de categoría C. El motor tiene una cilindrada de 305 cc.

A continuación se muestra una representación genérica de la etiqueta de emisiones típica de un motor certificado.



# NOTAS

# NOTAS

# Get it fixed, at your home or ours!

## Your Home

For repair – **in your home** – of **all** major brand appliances, lawn and garden equipment, or heating and cooling systems, **no matter who made it, no matter who sold it!**

For the replacement parts, accessories and owner's manuals that you need to do-it-yourself.

For Sears professional installation of home appliances and items like garage door openers and water heaters.

**1-800-4-MY-HOME® (1-800-469-4663)**

Call anytime, day or night (U.S.A. and Canada)

[www.sears.com](http://www.sears.com)    [www.sears.ca](http://www.sears.ca)

## Our Home

For repair of carry-in items like vacuums, lawn equipment, and electronics, call or go on-line for the location of your nearest **Sears Parts & Repair Center.**

**1-800-488-1222**

Call anytime, day or night (U.S.A. only)

[www.sears.com](http://www.sears.com)

To purchase a protection agreement (U.S.A.) or maintenance agreement (Canada) on a product serviced by Sears:

**1-800-827-6655 (U.S.A.)**

**1-800-361-6665 (Canada)**

Para pedir servicio de reparación a domicilio, y para ordenar piezas:

**1-888-SU-HOGAR<sup>SM</sup>**

(1-888-784-6427)

Au Canada pour service en français:

**1-800-LE-FOYER<sup>MC</sup>**

(1-800-533-6937)

[www.sears.ca](http://www.sears.ca)

