

Operator's Manual



2550 PSI MAX
2.3 GPM MAX
PRESSURE WASHER

Model No. 580.752190



**PRESSURE WASHER
CUSTOMER HELPLINE
1-800-222-3136**

HOURS: Mon. - Fri. 8 a.m. to 5 p.m. (CT)

 WARNING
Before using this product, read this manual and follow all Safety Rules and Operating Instructions.

 ADVERTENCIA
Antes de utilizar el producto, lea este manual y siga todas las Reglas de Seguridad e Instrucciones de Uso.

- Safety
- Assembly
- Operation
- Maintenance
- Parts
- Español, p. 30

This pressure washer is rated in accordance to the Pressure Washer Manufacture Association (PWMA) standard PW101 (Testing and Rating Performance of Pressure Washers).

Esta limpiadora a presión está clasificada conforme a la norma PW101 (comprobación y clasificación de rendimiento de limpiadoras a presión) de la Asociación de fabricantes de bombas a presión (Pressure Washer Manufacture Association, PWMA).

Sears, Roebuck and Co., Hoffman Estates, IL 60179 U.S.A.
Visit our Craftsman website: www.craftsman.com

Part No. 205424GS Draft C (08/25/2008)



TABLE OF CONTENTS

WARRANTY	2	STORAGE	20
SAFETY RULES	2-4	TROUBLESHOOTING	21
FEATURES AND CONTROLS	5	REPLACEMENT PARTS	22-26
ASSEMBLY	6-9	NOTES	27
OPERATION	10-14	EMISSION CONTROL WARRANTY	28-29
SPECIFICATIONS	15	ESPAÑOL	30-51
MAINTENANCE	16-19	HOW TO ORDER PARTS	BACK PAGE

WARRANTY

ONE-YEAR FULL WARRANTY ON CRAFTSMAN PRESSURE WASHER

If this pressure washer fails due to a defect in material or workmanship within one year from the date of purchase, return it to any Sears store, other Craftsman outlet, or Sears Parts & Repair Center in the United States or Canada for free repair (or replacement if repair proves impossible).

All warranty coverage applies for only 90 days from date of purchase if this pressure washer is ever used for commercial or rental purposes.

This warranty gives you specific legal rights, and you may also have other rights which vary from state to state.

Sears, Roebuck and Co., Hoffman Estates, IL 60179

Sears Canada Inc., Toronto, Ontario, Canada M5B 2B8

SAFETY RULES



Read this manual carefully and become familiar with your pressure washer. Know its applications, its limitations, and any hazards involved.

Important Safety Information

Safety Symbols and Meanings



Toxic Fumes



Kickback



Electrical Shock



Slippery Surface



Fall



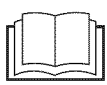
Fluid Injection



Fire



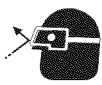
Explosion



Operator's Manual



Moving Parts



Flying Objects



Hot Surface

▲ The safety alert symbol indicates a potential personal injury hazard. A signal word (DANGER, WARNING, or CAUTION) is used with the alert symbol to designate a degree or level of hazard seriousness. A safety symbol may be used to represent the type of hazard. The signal word *NOTICE* is used to address practices not related to personal injury.

▲ **DANGER** indicates a hazard which, if not avoided, *will* result in death or serious injury.

▲ **WARNING** indicates a hazard which, if not avoided, *could* result in death or serious injury.

▲ **CAUTION** indicates a hazard which, if not avoided, *could* result in minor or moderate injury.

NOTICE address practices not related to personal injury.

▲ WARNING: The engine exhaust from this product contains chemicals known to the State of California to cause cancer, birth defects, or other reproductive harm.

▲ WARNING: Certain components in this product and related accessories contain chemicals known to the State of California to cause cancer, birth defects or other reproductive harm. Wash hands after handling.

▲ WARNING: Running engine gives off carbon monoxide, an odorless, colorless, poison gas. Breathing carbon monoxide can cause headache, fatigue, dizziness, vomiting, confusion, seizures, nausea, fainting or death. Some chemicals or detergents may be harmful if inhaled or ingested, causing severe nausea, fainting, or poisoning.



- Operate pressure washer ONLY outdoors.
- Keep exhaust gas from entering a confined area through windows, doors, ventilation intakes, or other openings.
- DO NOT start or run engine indoors or in an enclosed area, even if windows and doors are open.
- Use a respirator or mask whenever there is a chance that vapors may be inhaled.
- Read all instructions with mask so you are certain the mask will provide the necessary protection against inhaling harmful vapors.

▲ WARNING: Risk of electrocution. Contact with power source can cause electric shock or burn.



- NEVER spray near power source.

▲ WARNING: Contact with muffler area can result in serious burns. Exhaust heat/gases can ignite combustibles, structures or damage fuel tank causing a fire.



- DO NOT touch hot parts and AVOID hot exhaust gases.
- Allow equipment to cool before touching.
- Keep at least 5 feet (152 cm) of clearance on all sides of pressure washer including overhead.
- It is a violation of California Public Resource Code, Section 4442, to use or operate the engine on any forest-covered, brush-covered, or grass-covered land unless the exhaust system is equipped with a spark arrester, as defined in Section 4442, maintained in effective working order. Other states or federal jurisdictions may have similar laws. Contact the original equipment manufacturer, retailer, or dealer to obtain a spark arrester designed for the exhaust system installed on this engine.
- Replacement parts must be the same and installed in the same position as the original parts.

▲ WARNING: Fuel and its vapors are extremely flammable and explosive. Fire or explosion can cause severe burns or death.



WHEN ADDING OR DRAINING FUEL

- Turn pressure washer OFF and let it cool at least 2 minutes before removing fuel cap. Loosen cap slowly to relieve pressure in tank.
- Fill or drain fuel tank outdoors.
- DO NOT overfill tank. Allow space for fuel expansion.
- If fuel spills, wait until it evaporates before starting engine.
- Keep fuel away from sparks, open flames, pilot lights, heat, and other ignition sources.
- DO NOT light a cigarette or smoke.

WHEN STARTING EQUIPMENT

- Ensure spark plug, muffler, fuel cap, and air cleaner are in place.
- DO NOT crank engine with spark plug removed.

WHEN OPERATING EQUIPMENT

- DO NOT tip engine or equipment at angle which causes fuel to spill.
- DO NOT spray flammable liquids.

WHEN TRANSPORTING OR REPAIRING EQUIPMENT

- Transport/repair with fuel tank EMPTY or with fuel shutoff valve OFF.
- Disconnect spark plug wire.

WHEN STORING FUEL OR EQUIPMENT WITH FUEL IN TANK

- Store away from furnaces, stoves, water heaters, clothes dryers, or other appliances that have pilot light or other ignition source because they can ignite fuel vapors.

▲ WARNING: Use of pressure washer can create puddles and slippery surfaces. Kickback from spray gun can cause you to fall.



- Operate pressure washer from a stable surface.
- The cleaning area should have adequate slopes and drainage to reduce the possibility of a fall due to slippery surfaces.
- Be extremely careful if you must use the pressure washer from a ladder, scaffolding, or any other similar location.
- Firmly grasp spray gun with both hands when using high pressure spray to avoid injury when spray gun kicks back.

▲ WARNING: Starter cord kickback (rapid retraction) can result in bodily injury. Kickback will pull hand and arm toward engine faster than you can let go. Broken bones, fractures, bruises, or sprains could result.



- NEVER pull starter cord without first relieving spray gun pressure.
- When starting engine, pull cord slowly until resistance is felt and then pull rapidly to avoid kickback.
- After each starting attempt, where engine fails to run, always point spray gun in safe direction, press red button and squeeze spray gun trigger to release high pressure.
- Firmly grasp spray gun with both hands when using high pressure spray to avoid injury when spray gun kicks back.

▲ WARNING: The high pressure stream of water that this equipment produces can cut through skin and its underlying tissues, leading to serious injury and possible amputation.



Spray gun traps high water pressure, even when engine is stopped and water is disconnected, which can cause injury.

- DO NOT allow CHILDREN to operate pressure washer.
- NEVER repair high pressure hose. Replace it.
- NEVER repair leaking connections with sealant of any kind. Replace o-ring or seal.
- NEVER connect high pressure hose to nozzle extension.
- Keep high pressure hose connected to pump and spray gun while system is pressurized.
- ALWAYS point spray gun in safe direction, press red button and squeeze spray gun trigger to release high pressure, every time you stop engine.
- NEVER aim spray gun at people, animals, or plants.
- DO NOT secure spray gun in open position.
- DO NOT leave spray gun unattended while machine is running.
- NEVER use a spray gun which does not have a trigger lock or trigger guard in place and in working order.
- Always be certain spray gun, nozzles and accessories are correctly attached.

▲ WARNING: Unintentional sparking can result in fire or electric shock.



WHEN ADJUSTING OR MAKING REPAIRS TO YOUR PRESSURE WASHER

- Disconnect the spark plug wire from the spark plug and place the wire where it cannot contact spark plug.

WHEN TESTING FOR ENGINE SPARK

- Use approved spark plug tester.
- DO NOT check for spark with spark plug removed.

▲ WARNING: Starter and other rotating parts can entangle hands, hair, clothing, or accessories.



- NEVER operate pressure washer without protective housing or covers.
- DO NOT wear loose clothing, jewelry or anything that may be caught in the starter or other rotating parts.
- Tie up long hair and remove jewelry.

▲ WARNING: Risk of eye injury.
Spray can splash back or propel objects.



- Always wear safety goggles when using this equipment or in vicinity of where equipment is in use.
- Before starting the pressure washer, be sure you are wearing adequate safety goggles.
- NEVER substitute safety glasses for safety goggles.

NOTICE: High pressure spray may damage fragile items including glass.

- DO NOT point spray gun at glass when using red (0°) spray tip.
- NEVER aim spray gun at plants.

NOTICE: Improper treatment of pressure washer can damage it and shorten its life.

- If you have questions about intended use, ask dealer or contact Sears.
- NEVER operate units with broken or missing parts, or without protective housing or covers.
- DO NOT by-pass any safety device on this machine.
- DO NOT tamper with governed speed.
- DO NOT operate pressure washer above rated pressure.
- DO NOT modify pressure washer in any way.
- Before starting pressure washer in cold weather, check all parts of the equipment to be sure ice has not formed there.
- NEVER move machine by pulling on hoses. Use handle provided on unit.
- Check fuel system for leaks or signs of deterioration, such as chafed or spongy hose, loose or missing clamps, or damaged tank or cap. Correct all defects before operating pressure washer.
- This equipment is designed to be used with Sears authorized parts **ONLY**. If equipment is used with parts that DO NOT comply with minimum specifications, user assumes all risks and liabilities.

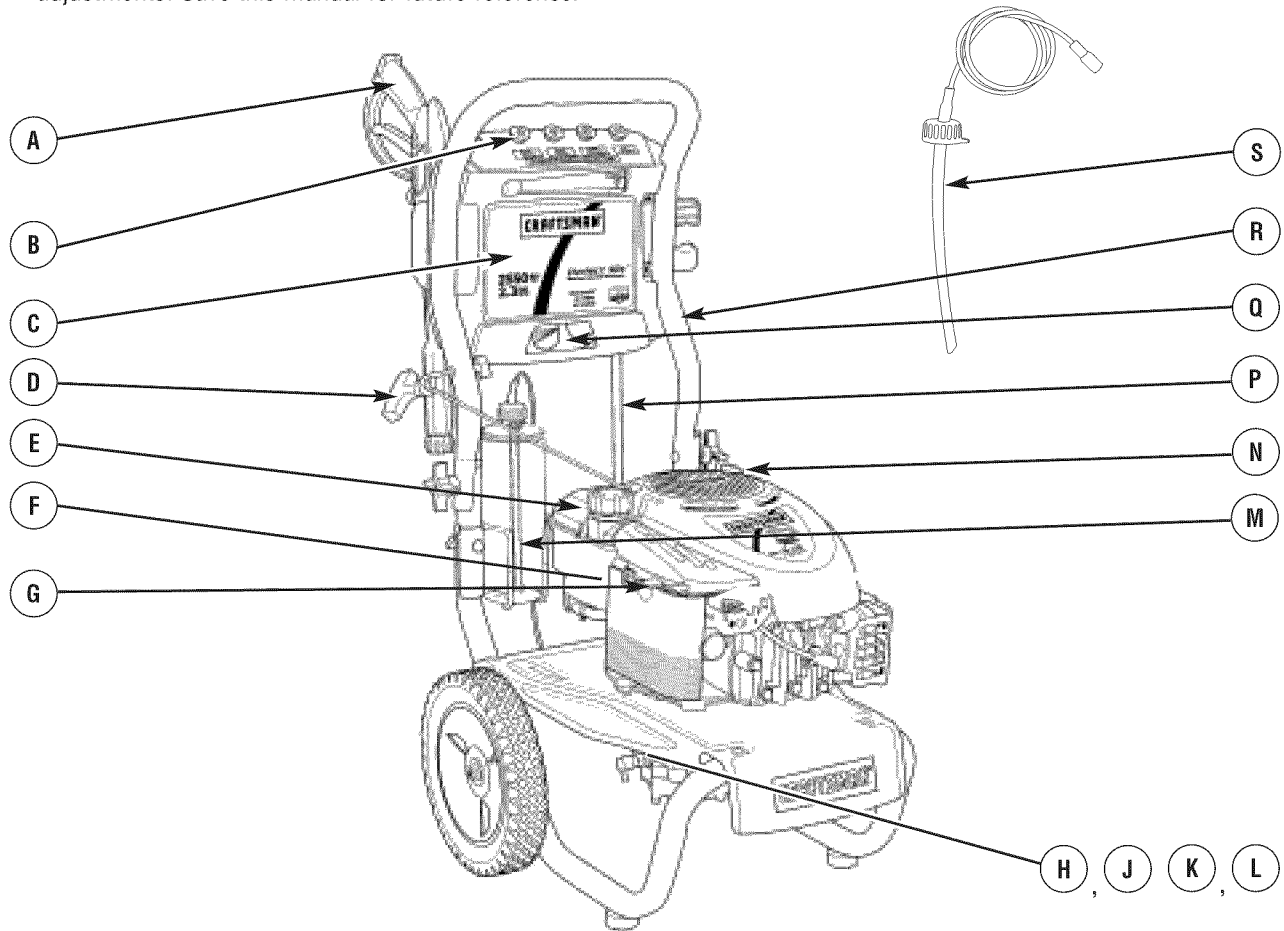
FEATURES AND CONTROLS

KNOW YOUR PRESSURE WASHER



Read the **Operator's Manual** and safety rules before operating your pressure washer.

Compare the illustrations with your pressure washer to familiarize yourself with the locations of various controls and adjustments. Save this manual for future reference.



A - Spray Gun — Controls the application of water onto cleaning surface with trigger device. Includes trigger lock.

B - Spray Tips — Detergent, 0°, 15° and 40°: for various high pressure cleaning applications.

C - Accessory Tray — Provides convenient storage for accessories, such as gun, spray tips, etc.

D - Recoil Starter — Used for starting the engine manually.

E - Fuel Tank — Fill tank with regular unleaded fuel. Always leave room for fuel expansion.

F - Air Filter — Protects engine by filtering dust and debris out of intake air.

G - Throttle Lever — Sets engine in starting mode for recoil starter and stops a running engine.

H - Pump — Develops high pressure.

J - Automatic Cool Down System — Cycles water through pump when water reaches 125°-155°F. Warm water will discharge from pump onto ground. This system prevents internal pump damage.

K - High Pressure Outlet — Connection for high pressure hose.

L - Water Inlet — Connection for garden hose.

M - Bottle Bracket — Cleaning solution bottle fits in wire form bracket here. Concentrate bottle not included.

N - Oil Fill/Dipstick — Check, add and drain engine oil here.

P - Spray tip Extension with Quick Connect — Allows you to switch between four different spray tips.

Q - Hose Wrap and High Pressure Hose — Hose wrap provides easy transport and handling of the high pressure hose. Connect one end of hose to water pump and the other end to spray gun.

R - Fold Down Handle — Handle and accessory tray fold flat atop cold engine for space-saving storage.

S - Project Pro® PerfectMix™ Siphon — Mixes concentrate with pressure washer spray.

Items Not Shown:

Identification Label (near rear of base plate) — Provides model and serial number of pressure washer. Please have these readily available if calling for assistance.

Safety Goggles — Always use the enclosed safety goggles when running your pressure washer.

Warning/Operating Instructions Tag — Identifies hazards and proper procedure to start/stop pressure washer.

ASSEMBLY

Your pressure washer requires some assembly and is ready for use only after it has been properly serviced with the recommended oil and fuel.

If you have any problems with the assembly of your pressure washer, please call the pressure washer helpline at 1-800-222-3136.

UNPACK THE PRESSURE WASHER

1. Remove everything from carton except pressure washer.
2. Open carton completely by cutting each corner from top to bottom.
3. Remove pressure washer from carton.

CARTON CONTENTS

Check all contents. If any parts are missing or damaged, call the pressure washer helpline at **1-800-222-3136**.

- Main Unit
- Handle
- Accessory Tray
- High Pressure Hose
- Spray Gun
- Spray Tip Extension with Quick Connect Fitting
- Oil Bottle
- Hose Wrap
- Detergent Siphoning Hose/Filter
- Bottle Bracket Wireform
- Parts Bag (which includes the following):
 - Operator's Manual
 - Owner's Registration Card
 - Safety Goggles
 - PerfectMix™ Siphoning Unit/Hose
 - Bag containing 4 multi-colored Spray Tips
 - Handle Fastening Hardware Kit (which includes):
 - Handle Bolts (2)
 - Carriage Bolt (1)
 - Plastic Knobs for Handle (2)
 - Rope Guide (1)
 - Plastic Knob (2)
 - Tree Clips (4)

Become familiar with each piece before assembling the pressure washer. Identify all contents with the illustration on page 5. If any parts are missing or damaged, call the pressure washer helpline at **1-800-222-3136**.

ASSEMBLING PRESSURE WASHER

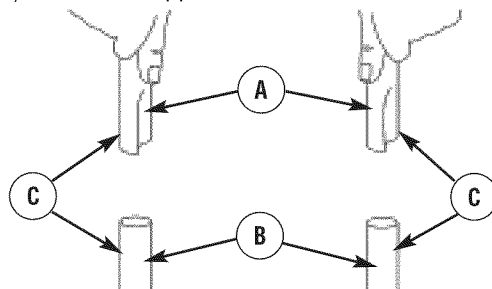
Your Craftsman pressure washer will need assembly before operation:

1. Fill out and send in registration card.
2. Attach handle and accessory tray.
3. Connect detergent siphon hose to pump.
4. Add oil to engine crankcase.

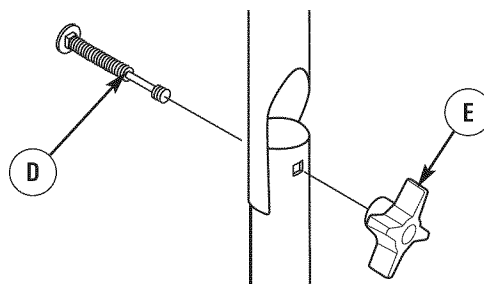
5. Add fuel to fuel tank.
6. Connect pressure hose to spray gun and pump.
7. Connect water supply to pump.
8. Attach spray tip extension to spray gun.
9. Select/attach quick connect spray tip to spray tip extension.

Attach Handle and Accessory Tray

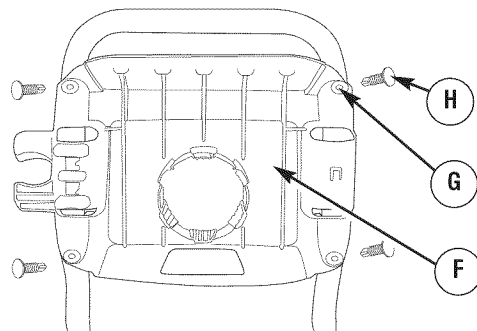
1. Place handle (A) onto handle supports (B) connected to main unit. Make sure holes (C) in handle align with holes (C) on handle supports.



2. Insert handle carriage bolts (D) through holes from inside of unit and attach a plastic knob (E) from outside of unit. Tighten by hand. By loosening both knobs to the middle section of the attachment bolt, the upper handle can fold forward to store flat atop the cold engine. **Note:** DO NOT fold the handle down while the engine is hot.

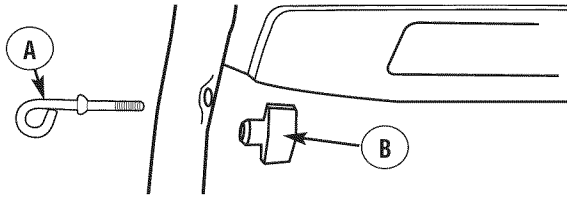


3. Place accessory tray (F) over holes (G) on handle (viewing from back of unit). Push the tree clips (H) into the holes until they sit flat against the accessory tray.

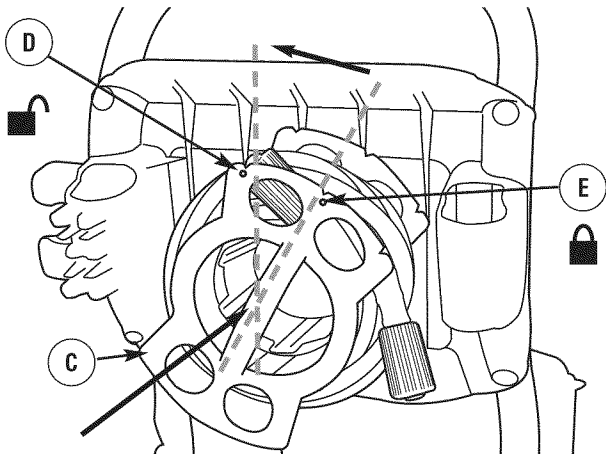


4. Insert multi-colored Quick Connect spray tips and other supplied accessories in spaces provided in accessory tray. See *How to Use Accessory Tray*.

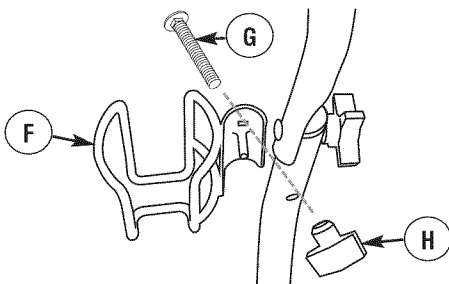
- Attach rope guide (A) through handle with plastic knob (B). Tighten by hand. Route engine recoil rope through guide.



- Align hose wrap (C) to the back side of accessory tray. Locate notch with "unlock" icon (D) on hose wrap. Position notch at top with hose wrap in vertical position. Clips in the back of accessory tray should slide into the grooves on the inside surface of hose wrap. Slide hose wrap on back of accessory tray and rotate 1/8 turn until "locked" icon (E) is in vertical position. Hose wrap is easily removed from the accessory tray for wrapping and unwrapping of the high pressure hose. A clip to secure the hose on the reel makes it easy to wrap the hose while it is detached from the accessory tray.



- Attach bottle bracket (F) to handle with carriage bolt (G) and black plastic knob (H). Tighten by hand.



2-IN-1 Soap System

The pressure washer is equipped with two detergent siphoning hoses.

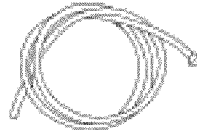
Project Pro PerfectMix™ Siphon



Blue tube with blue bottle cap:

When using the blue PerfectMix™ siphon, use the PerfectMix™ Extreme Concentrate straight from the bottle.

Standard Siphon Tube

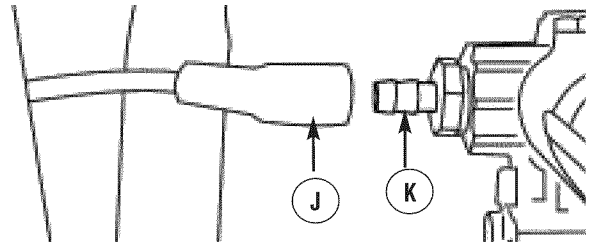


Clear tube with filter:

When using the clear siphon tube, dilute 1 part PerfectMix™ Extreme Concentrate to 16 parts water (4 oz of concentrate makes 1/2 gallon of mix.)

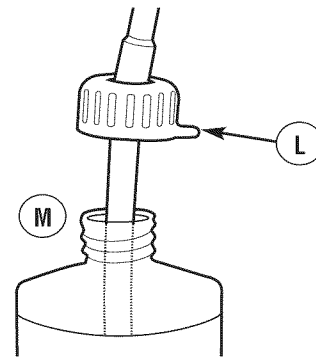
Attach Project Pro® PerfectMix™ Siphon to Pump

Attach the hose end of the blue PerfectMix™ Siphon (J) to the barbed hose fitting (K) on the pump.



Attach PerfectMix™ Detergent Siphon to Concentrate Bottle

Place PerfectMix™ bottle (not included) in the wire-form bracket on the handle. Remove cap from bottle and insert the PerfectMix™ Siphon (L). Screw the siphon unit to the top of the bottle (M). Use the clip on the cap (L) to snap siphon to wire form bracket when siphon is not in a concentrate bottle.



Add Engine Oil

- Place pressure washer on a flat, level surface.
- Clean area around oil fill and remove yellow oil fill cap/dipstick.
- Using oil funnel (optional), slowly pour contents of provided oil bottle into oil fill opening.

NOTICE: Improper treatment of pressure washer can damage it and shorten its life.

- DO NOT attempt to crank or start the engine before it has been properly serviced with the recommended oil. This may result in an engine failure.

- Replace oil fill cap/dipstick and fully tighten.

Add Fuel

Fuel must meet these requirements:

- Clean, fresh, unleaded gasoline.
- A minimum of 87 octane/87 AKI (91 RON). High altitude use, see *High Altitude*.
- Gasoline with up to 10% ethanol (gasohol) or up to 15% MTBE (methyl tertiary butyl ether) is acceptable.

NOTICE: Avoid pressure washer damage. Failure to follow Operator's Manual for fuel recommendations voids warranty.

- DO NOT use unapproved gasoline such as E85.
- DO NOT mix oil in gasoline.
- DO NOT modify engine to run on alternate fuels.

To protect the fuel system from gum formation, mix in a fuel stabilizer when adding fuel. See *Storage*. All fuel is not the same. If you experience starting or performance problems after using fuel, switch to a different fuel provider or change brands. This engine is certified to operate on gasoline. The emission control system for this engine is EM (Engine Modifications).

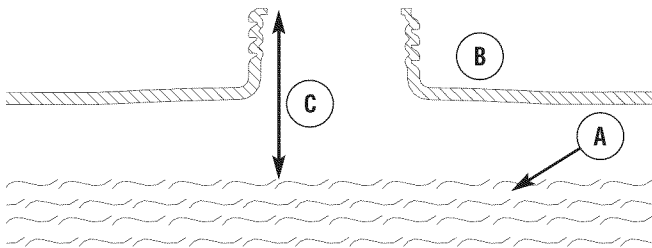
▲ WARNING: Fuel and its vapors are extremely flammable and explosive. Fire or explosion can cause severe burns or death.



WHEN ADDING FUEL

- Turn pressure washer OFF and let it cool at least 2 minutes before removing fuel cap. Loosen cap slowly to relieve pressure in tank.
- Fill fuel tank outdoors.
- DO NOT overfill tank. Allow space for fuel expansion.
- If fuel spills, wait until it evaporates before starting engine.
- Keep fuel away from sparks, open flames, pilot lights, heat, and other ignition sources.
- DO NOT light a cigarette or smoke.

1. Clean area around fuel fill cap, remove cap.
2. Slowly add regular unleaded fuel (A) to fuel tank (B). Be careful not to overfill. Allow about 1.5" (4 cm) (C) of tank space for fuel expansion.



3. Install fuel cap and wait for any spilled fuel to evaporate.

CAUTION! Alcohol-blended fuels (called gasohol, ethanol or methanol) can attract moisture, which leads to separation and formation of acids during storage. Acidic gas can damage the fuel system of an engine while in storage.

To avoid engine problems, the fuel system should be treated with a fuel preserver or emptied before storage of 30 days or longer. If adding a fuel preserver, fill the fuel tank with fresh fuel. If only partially filled, air in the tank will promote fuel deterioration during storage. If fuel preserver is not used, drain the fuel tank, start the engine and let it run until the fuel lines and carburetor are empty. Use fresh fuel next season. See *Storage* for additional information.

NEVER use engine or carburetor cleaner products in the fuel tank as permanent damage may occur.

High Altitude

At altitudes over 5,000 feet (1524 meters), a minimum 85 octane / 85 AKI (89 RON) gasoline is acceptable. To remain emissions compliant, high altitude adjustment is required. Operation without this adjustment will cause decreased performance, increased fuel consumption, and increased emissions. See a qualified Sears dealer for high altitude adjustment information. Operation of the engine at altitudes below 2,500 feet (762 meters) with the high altitude kit is not recommended.

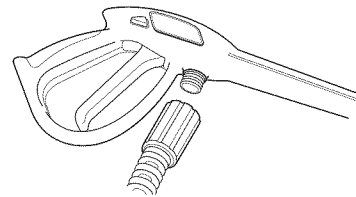
Connect Hose and Water Supply to Pump

NOTICE: DO NOT run the pump without the water supply connected and turned on.

- Damage to equipment resulting from failure to follow this instruction will void warranty.

NOTE: Remove and discard the shipping caps from the pump's high pressure outlet and water inlet before attaching hoses.

1. Uncoil high pressure hose and attach one end of hose to base of spray gun. Tighten by hand.

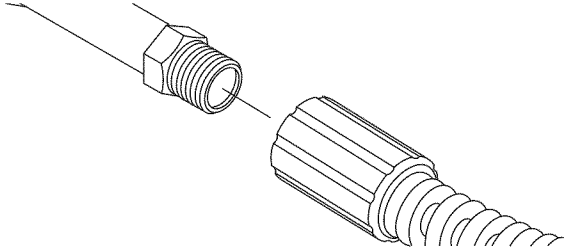


▲ WARNING: The high pressure stream of water that this equipment produces can cut through skin and its underlying tissues, leading to serious injury and possible amputation.

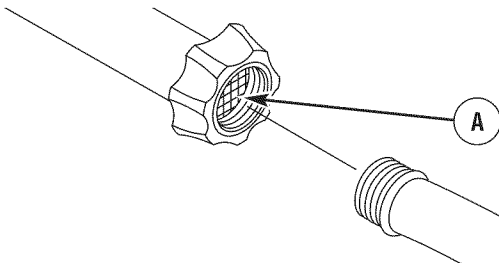


- NEVER connect high pressure hose to nozzle extension.
- Keep high pressure hose connected to pump and spray gun while system is pressurized.
- Always be certain spray gun, nozzles and accessories are correctly attached.

- Attach other end of high pressure hose to high pressure outlet on pump. Tighten by hand.



- Before connecting garden hose to water inlet, inspect inlet screen (A). Clean screen if it contains debris or have it replaced if damaged. **DO NOT run pressure washer if inlet screen is damaged or missing.**



- Run water through garden hose for 30 seconds to flush it of debris. Turn off water.

IMPORTANT: DO NOT siphon standing water for the water supply. Use ONLY cold water (less than 100°F).

- Connect garden hose (not to exceed 50 feet in length) to water inlet. Tighten by hand.

NOTICE: Using a One Way Valve (vacuum breaker or check valve) at pump inlet can cause pump or inlet connector damage.

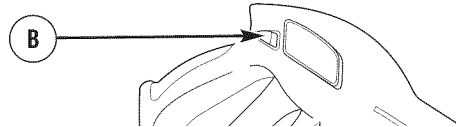
- There MUST be at least ten feet of unrestricted garden hose between the pressure washer inlet and any device, such as a vacuum breaker or check valve.
- Damage to equipment resulting from failure to follow this instruction will void warranty.

▲ WARNING: Risk of eye injury.
Spray can splash back or propel objects.



- Always wear safety goggles when using this equipment or in vicinity of where equipment is in use.
- Before starting the pressure washer, be sure you are wearing adequate safety goggles.
- NEVER substitute safety glasses for safety goggles.

- Turn ON the water, press red button (B) on the gun and squeeze the trigger to purge the pump system of air and impurities.



Checklist Before Starting Engine

Review the unit to ensure you have performed all of the following:

- Be sure to read *Safety Rules* and *Operation* sections before using the pressure washer.
- Make sure handle is in place and secure.
- Check that oil has been added to proper level in engine crankcase.
- Add proper fuel to fuel tank.
- Check for proper hose connections (high pressure and water supply) and that there are no kinks, cuts, or damage to the high pressure hose.
- Provide proper water supply (not to exceed 100°F).

OPERATION

HOW TO USE YOUR PRESSURE WASHER

If you have any problems operating your pressure washer, please call the pressure washer helpline at **1-800-222-3136**.

Pressure Washer Location

Pressure Washer Clearance

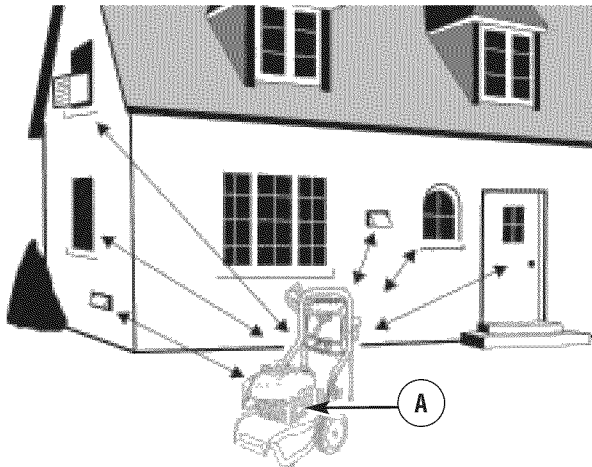
▲ WARNING: Exhaust heat/gases can ignite combustibles, structures or damage fuel tank causing a fire.

- Keep at least 5 ft. (152 cm) clearance on all sides of pressure washer including overhead.

Place pressure washer outdoors in an area that will not accumulate deadly exhaust gas. **DO NOT** place pressure washer where exhaust gas (**A**) could accumulate and enter inside or be drawn into a potentially occupied building. Ensure exhaust gas is kept away from any windows, doors, ventilation intakes, or other openings that can allow exhaust gas to collect in a confined area. Prevailing winds and air currents should be taken into consideration when positioning pressure washer.

▲ WARNING: Running engine gives off carbon monoxide, an odorless, colorless, poisonous gas. Breathing carbon monoxide can cause headache, fatigue, dizziness, vomiting, confusion, seizures, nausea, fainting or death.

- Operate pressure washer **ONLY** outdoors.
- Keep exhaust gas from entering a confined area through windows, doors, ventilation intakes, or other openings.
- **DO NOT** start or run engine indoors or in an enclosed area, even if windows and doors are open.



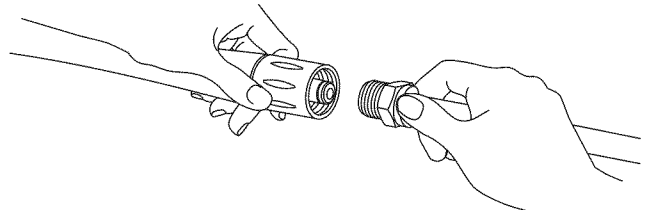
To Start Your Pressure Washer

To start your engine-powered pressure washer for the first time, follow these instructions step-by-step. This information also applies whenever you start the engine after you have let the pressure washer sit idle for at least a day.

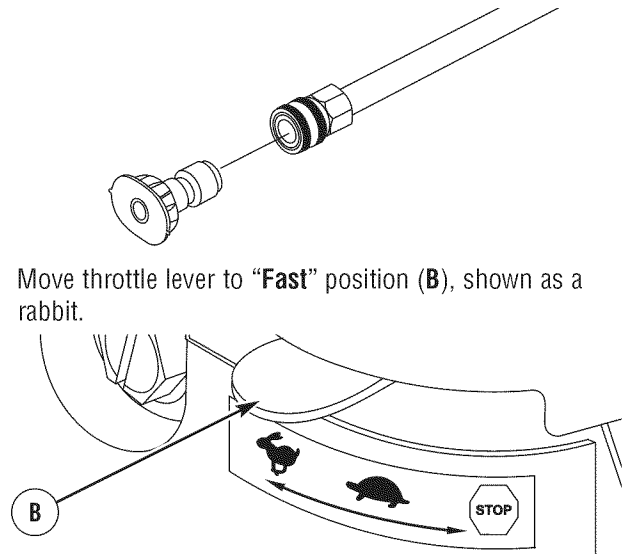
1. Place pressure washer outside near an water source capable of supplying water at a flow rate greater than 3.3 gallons per minute and no less than 20 PSI at pressure washer end of garden hose.
2. Check that high pressure hose is tightly connected to spray gun and pump. See *Assembly* for illustrations.
3. Make sure unit is in a level position.
4. Connect garden hose to water inlet on pressure washer pump.

NOTICE: **DO NOT** run the pump without the water supply connected and turned on.

- Damage to equipment resulting from failure to follow this instruction will void warranty.
5. Turn **ON** the water, press red button on the gun and squeeze the trigger to purge the pump system of air and impurities.
 6. Attach spray tip extension to spray gun. Tighten by hand.
 7. Choose spray tip you want to use and insert it into spray tip extension. See *How to Use Spray Tips*.



8. Move throttle lever to "**Fast**" position (**B**), shown as a rabbit.



IMPORTANT: Before starting the pressure washer, be sure you are wearing adequate safety goggles.

▲ WARNING: Risk of eye injury.
Spray can splash back or propel objects.



- Always wear safety goggles when using this equipment or in vicinity of where equipment is in use.
- Before starting the pressure washer, be sure you are wearing adequate safety goggles.
- NEVER substitute safety glasses for safety goggles.

NOTE: This unit is equipped with a ReadyStart™ engine. A ReadyStart™ engine means there is no priming or choking required.

9. When starting engine, position yourself as recommended and grasp starter grip handle and pull slowly until you feel some resistance. Then pull rapidly to start engine.



▲ WARNING: Starter cord kickback (rapid retraction) can result in bodily injury. Kickback will pull hand and arm toward engine faster than you can let go. Broken bones, fractures, bruises, or sprains could result.

- NEVER pull starter cord without first relieving spray gun pressure.
- When starting engine, pull cord slowly until resistance is felt and then pull rapidly to avoid kickback.
- After each starting attempt, where engine fails to run, always point spray gun in safe direction, press red button and squeeze spray gun trigger to release high pressure.
- Firmly grasp spray gun with both hands when using high pressure spray to avoid injury when spray gun kicks back.

13. Return recoil starter slowly. DO NOT let rope “snap back” against starter.

NOTE: Always keep the throttle lever in the “Fast” position when operating the pressure washer.

▲ WARNING: The high pressure stream of water that this equipment produces can cut through skin and its underlying tissues, leading to serious injury and possible amputation.



Spray gun traps high water pressure, even when engine is stopped and water is disconnected, which can cause injury.

- DO NOT allow CHILDREN to operate pressure washer.
- Keep high pressure hose connected to pump and spray gun while system is pressurized.
- NEVER aim spray gun at people, animals, or plants.
- DO NOT secure spray gun in open position.
- DO NOT leave spray gun unattended while machine is running.
- NEVER use a spray gun which does not have a trigger lock or trigger guard in place and in working order.
- Always be certain spray gun, nozzles and accessories are correctly attached.

▲ WARNING: Contact with muffler area can result in serious burns.



Exhaust heat/gases can ignite combustibles, structures or damage fuel tank causing a fire.

- DO NOT touch hot parts and AVOID hot exhaust gases.
- Allow equipment to cool before touching.
- Keep at least 5 feet (152 cm) of clearance on all sides of pressure washer including overhead.
- It is a violation of California Public Resource Code, Section 4442, to use or operate the engine on any forest-covered, brush-covered, or grass-covered land unless the exhaust system is equipped with a spark arrester, as defined in Section 4442, maintained in effective working order. Other states or federal jurisdictions may have similar laws.
Contact the original equipment manufacturer, retailer, or dealer to obtain a spark arrester designed for the exhaust system installed on this engine.
- Replacement parts must be the same and installed in the same position as the original parts.

How to Stop Your Pressure Washer

1. Release spray gun trigger and let engine idle for two minutes.
2. Move throttle to SLOW position, then STOP position.
3. ALWAYS point spray gun in a safe direction, push red button and squeeze spray gun trigger to release retained high water pressure.

▲ WARNING: The high pressure stream of water that this equipment produces can cut through skin and its underlying tissues, leading to serious injury and possible amputation.



Spray gun traps high water pressure, even when engine is stopped and water is disconnected, which can cause injury.

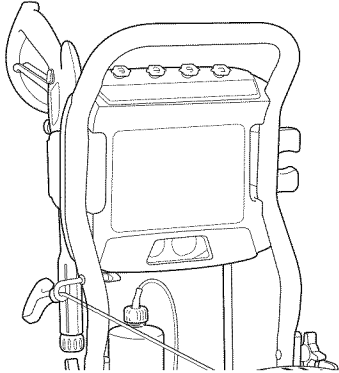
- Keep high pressure hose connected to pump and spray gun while system is pressurized.
- ALWAYS point spray gun in safe direction, press red button and squeeze spray gun trigger to release high pressure, every time you stop engine.

IMPORTANT: Spray gun traps high water pressure, even when engine is stopped and water is disconnected.

How to Use Accessory Tray

The unit is equipped with an accessory tray with places to store your spray gun, spray tip extension and quick connect spray tips. There is also a detachable hose wrap at the back of the accessory tray to hold your high pressure hose.

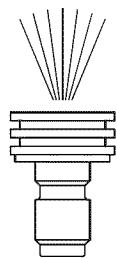
1. Place spray tip extension in clip on back of accessory tray.



2. Place spray gun through hole on accessory tray on right side of unit.
3. Insert multi-colored spray tips in spaces provided in accessory tray.
4. Wrap high pressure hose on hose wrap then attach hose wrap to back of accessory tray.
5. Hook provided on back of accessory tray for safely storing safety goggles.

How to Use Spray Tips

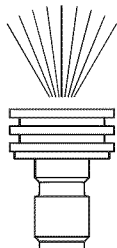
The quick-connect on the spray tip extension allows you to switch between four different quick connect spray tips. The spray tips vary the spray pattern as shown below.



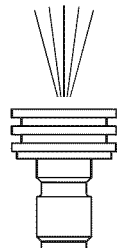
Low Pressure

Black
Use to apply chemical

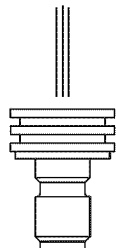
High Pressure



40° White
1750 PSI
2.3 GPM



15° Yellow
2200 PSI
2.2 GPM



0° Red
2550 PSI
2.0 GPM

Follow these instructions to change spray tips:

1. Pull back collar on quick-connect and pull current spray tip off. Store spray tips in holder provided on the accessory tray.

▲ WARNING: The high pressure stream of water that this equipment produces can cut through skin and its underlying tissues, leading to serious injury and possible amputation.

- NEVER exchange spray tips without the trigger locked on the spray gun.
- DO NOT twist spray tips while spraying.

2. Select desired spray tip:
 - For delicate rinse (lower pressure and higher flow), for gentle cleaning of cars/trucks, boats, RV's, patio furniture, lawn equipment, etc., select white 40° spray tip.
 - For general rinsing (medium pressure and medium flow), ideal for most all purpose cleaning such as home siding, brick patios, wood decks, driveways and sidewalks, garage floors, etc., select yellow 15° spray tip.
 - For maximum rinsing (higher pressure and lower flow), for stubborn or hard to reach surface such as second story surfaces, paint removal, oil stains, rust removal or other stubborn substances (tar, gum, grease, wax, etc.), select red 0° spray tip.
 - To apply detergent, applies project specific cleaners to help break down stubborn dirt and grime on a variety of surfaces, select black detergent spray tip.
3. Pull back on collar, insert new spray tip and release collar. Tug on spray tip to make sure it is securely in place.

Usage Tips

- For most effective cleaning, keep spray tip from 8 to 24 inches (20 to 61 cm) away from cleaning surface.
- If you get spray tip too close, especially using a high pressure spray tip, you may damage surface being cleaned.
- DO NOT get closer than 6 inches (15 cm) when cleaning tires.

2-IN-1 Soap System

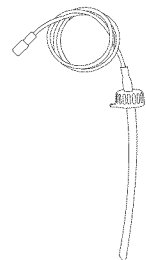
▲ CAUTION: Chemicals can cause bodily injury, and/or property damage.

- NEVER use caustic liquid with pressure washer.
- Use ONLY pressure washer safe detergents/soaps. Follow all manufacturers instructions.

Cleaning and Applying Detergent with the Project Pro® PerfectMix™ Siphon

To apply undiluted detergent using the blue PerfectMix™ siphon, follow these steps:

1. Review use of spray tips.
2. Attach PerfectMix™ siphon hose to pump and PerfectMix™ concentrate bottle.



NOTICE: Contact with the hot muffler can damage detergent siphoning tube.

- When inserting the siphon into a detergent solution bottle, route the tube so as to keep it from inadvertently contacting the hot muffler.

3. Make sure black detergent spray tip is installed.

NOTE: Detergent cannot be applied with the high pressure spray tips (White, Yellow or Red).

4. Make sure garden hose is connected to water inlet. Check that high pressure hose is connected to spray gun and pump. Turn on water.

NOTICE: You must attach all hoses before you start the engine.

- Starting the engine without all the hoses connected and without the water turned ON will damage the pump.
- Damage to equipment resulting from failure to follow this instruction will void warranty.

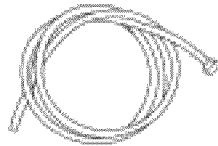
5. Start engine following instructions *How to Start Your Pressure Washer*.

6. Apply detergent to a dry surface, starting at lower portion of area to be washed and work upward, using long, even, overlapping strokes.

7. Allow detergent to "soak in" for 3-5 minutes before washing and rinsing. Reapply as needed to prevent surface from drying. DO NOT allow detergent to dry on (prevents streaking).

Cleaning and Applying Detergent with the Standard Clear Siphon

To apply diluted detergent using the standard clear siphon tube, follow these steps:



1. Review use of spray tips.
2. Attach clear siphon hose to barbed fitting on pump.
3. Mix detergent solution as required by job.
4. Place small filter end of clear siphoning tube into container with diluted solution as described above.

NOTE: DO NOT insert standard siphon hose in Extreme Concentrate. Failure to dilute concentrate will cause excessive application and consumption of solution.

NOTE: Make sure the filter is fully submerged in fluid while applying solution.

NOTICE: Contact with the hot muffler can damage detergent siphoning tube.

- When inserting the siphon into a detergent solution bottle, route the tube so as to keep it from inadvertently contacting the hot muffler.

5. Make sure black detergent spray tip is installed.

NOTE: Detergent cannot be applied with the high pressure spray tips (White, Yellow or Red).

6. Make sure garden hose is connected to water inlet. Check that high pressure hose is connected to spray gun and pump. Turn on water.

NOTICE: You must attach all hoses before you start the engine.

- Starting the engine without all the hoses connected and without the water turned ON will damage the pump.
- Damage to equipment resulting from failure to follow this instruction will void warranty.

7. Start engine following instructions *How to Start Your Pressure Washer*.

8. Apply detergent to a dry surface, starting at lower portion of area to be washed and work upward, using long, even, overlapping strokes.

9. Allow detergent to "soak in" for 3-5 minutes before washing and rinsing. Reapply as needed to prevent surface from drying. DO NOT allow detergent to dry on (prevents streaking).

IMPORTANT: You must flush the detergent siphoning system after each use by placing the filter into a bucket of clean water, then run the pressure washer in low pressure for 1-2 minutes.

Pressure Washer Rinsing

For Rinsing:

1. Remove black detergent spray tip from spray tip extension.
2. Select and install desired high pressure spray tip following instructions *How to Use Spray Tips*.
3. Keep spray gun a safe distance from area you plan to spray.

▲ WARNING: Kickback from spray gun can cause you to fall.



- Operate pressure washer from a stable surface.
- Be extremely careful if you must use the pressure washer from a ladder, scaffolding, or any other similar location.
- Firmly grasp spray gun with both hands when using high pressure spray to avoid injury when spray gun kicks back.

4. Apply a high pressure spray to a small area and then check surface for damage. If no damage is found, you can assume it is okay to continue rinsing.

5. Start at top of area to be rinsed, working down with same overlapping strokes as you used for cleaning.


Cleaning Detergent Siphoning Tube

If you used the clear detergent siphoning tube, you must flush it with clean water before stopping the engine.

1. Place detergent siphoning tube/filter in a bucket full of clean water.
2. Remove high pressure spray tip from spray tip extension.
3. Select and install black detergent spray tip following instructions *How to Use Spray Tips*.
4. Flush for 1-2 minutes.
5. Shut off engine following instructions *How to Stop Pressure Washer* and turn off water supply.

6. ALWAYS point spray gun in a safe direction push red button and squeeze spray gun trigger to release retained high water pressure.

IMPORTANT: Spray gun traps high water pressure, even when engine is stopped and water is disconnected.

 **WARNING:** The high pressure stream of water that this equipment produces can cut through skin and its underlying tissues, leading to serious injury and possible amputation.

Spray gun traps high water pressure, even when engine is stopped and water is disconnected, which can cause injury.

- Keep high pressure hose connected to pump and spray gun while system is pressurized.
- ALWAYS point spray gun in safe direction, press red button and squeeze spray gun trigger to release high pressure, every time you stop engine.

Automatic Cool Down System (Thermal Relief)

If you run the engine on your pressure washer for 3-5 minutes without pressing the trigger on the spray gun, circulating water in the pump can reach temperatures above 125°F. The system engages to cool the pump by **discharging the warm water onto the ground**.

SPECIFICATIONS

ENGINE TECHNICAL INFORMATION

This is a single cylinder, L-head, air cooled engine. It is a low emissions engine.

In the State of California, Model 120000 engines are certified by the California Air Resources Board to meet emissions standards for 125 hours. Such certification does not grant the purchaser, owner or operator of this engine any additional warranties with respect to the performance or operational life of this engine. The engine is warranted solely according to the product and emissions warranties stated elsewhere in this manual.

Power Ratings

The gross power rating for individual gas engine models is labeled in accordance with SAE (Society of Automotive Engineers) code J1940 (Small Engine Power & Torque Rating Procedure), and rating performance has been obtained and corrected in accordance with SAE J1995 (Revision 2002-05). Torque values are derived at 3060 RPM; horsepower values are derived at 3600 RPM. Actual gross engine power will be lower and is affected by, among other things, ambient operating conditions and engine-to-engine variability. Given both the wide array of products on which engines are placed and the variety of environmental issues applicable to operating the equipment, the gas engine will not develop the rated gross power when used in a given piece of power equipment (actual "on-site" or net power). This difference is due to a variety of factors including, but not limited to, accessories (air cleaner, exhaust, charging, cooling, carburetor, fuel pump, etc.), application limitations, ambient operating conditions (temperature, humidity, altitude), and engine-to-engine variability. Due to manufacturing and capacity limitations, Briggs & Stratton may substitute an engine of higher rated power for this Series engine.

This pressure washer is rated in accordance to the Pressure Washer Manufacture Association (PWMA) standard PW101 (Testing and Rating Performance of Pressure Washers).

PRODUCT SPECIFICATIONS

Pressure Washer Specifications

Max Outlet Pressure 2,550 PSI
Max Flow Rate 2.3 GPM
Detergent Mix Use as directed
Water Supply Temperature Not to exceed 100°F

Engine Specifications

Bore 2.69 in. (68mm)
Stroke 2.04 in. (52mm)
Displacement 11.57 in. (190 cc)
Spark Plug
Type: Briggs & Stratton 802592 or 5095
Set Gap To: 0.030inch (0.76mm)
Armature Air Gap: 0.006-0.010 in.(0.15-0.25mm)
Valve clearance with valve springs installed and piston 1/4 in. (6 mm) past top dead center (check when engine is cold).
Intake 0.005-0.007 in.(0.13-0.18 mm)
Exhaust 0.007-0.009 in.(0.18-0.23 mm)
Fuel Capacity 1.6 Quarts
Oil Capacity 18 Ounces (0.5 liter)

NOTE: For practical operation, the engine load should not exceed 85% of rated power. Engine power will decrease 3-1/2% for each 1,000 feet (300 meters) above sea level and 1% for each 10° F (5.6° C) above 77° F (25° C). It should operate satisfactorily at an angle up to 15°.

MAINTENANCE

OWNER'S RESPONSIBILITIES

Follow the hourly or calendar intervals, whichever occurs first. More frequent service is required when operating in adverse conditions noted below.

First 5 Hours
<ul style="list-style-type: none">• Change engine oil
Every 8 Hours or Daily
<ul style="list-style-type: none">• Check/clean water inlet screen¹• Check high pressure hose• Check detergent siphoning hose• Check spray gun and assembly for leaks• Clean debris• Check engine oil level
Every 25 Hours or Yearly
<ul style="list-style-type: none">• Service engine air cleaner²
Every 50 Hours or Yearly
<ul style="list-style-type: none">• Change engine oil²• Inspect muffler and spark arrester
Every 100 Hours or Yearly
<ul style="list-style-type: none">• Service spark plug• Clean cooling system²

¹ Clean if clogged. Replace if perforated or torn.

² Service more often under dirty or dusty conditions.

General Recommendations

Regular maintenance will improve the performance and extend the life of the pressure washer. See any Sears or other qualified service dealer for service.

The pressure washer warranty does not cover items that have been subjected to operator abuse or negligence. To receive full value from the warranty, the operator must maintain pressure washer as instructed in this manual including proper storage as detailed in *Storage*.

Some adjustments will need to be made periodically to properly maintain your pressure washer.

All service and adjustments should be made at least once each season. Follow the requirements in the *Maintenance Schedule* chart above.

NOTE: Once a year you should clean or replace the spark plug and replace the air filter. A new spark plug and clean air filter assure proper fuel-air mixture and help your engine run better and last longer.

Pump Oil

DO NOT attempt any oil maintenance on this pump. The pump is pre-lubricated and sealed from the factory, requiring no additional maintenance for the life of the pump.

Emissions Control

Maintenance, replacement, or repair of the emissions control devices and systems may be performed by any non-road engine repair establishment or individual. However, to obtain "no charge" emissions control service, the work must be performed by a factory authorized dealer. See the *Emissions Warranty*.

Before Each Use

1. Check engine oil level.
2. Clean debris.
3. Check water inlet screen for damage.
4. Check high pressure hose for leaks.
5. Check gun and spray tip extension assembly for leaks.
6. Purge pump of air and contaminants.

PRESSURE WASHER MAINTENANCE

Clean Debris

Daily or before use, clean accumulated debris from pressure washer. Keep linkage, spring and controls clean. Keep area around and behind muffler free from any combustible debris. Inspect cooling air slots and openings on the pressure washer. These openings must be kept clean and unobstructed.

Pressure washer parts should be kept clean to reduce the risk of overheating and ignition of accumulated debris.

- Use a damp cloth to wipe exterior surfaces clean.

NOTICE: Improper treatment of pressure washer can damage it and shorten its life.

- DO NOT insert any objects through cooling slots.

- Use a soft bristle brush to loosen caked on dirt, oil, etc.
- Use a vacuum cleaner to pick up loose dirt and debris.

Check and Clean Inlet Screen

Examine garden hose inlet screen. Clean if it is clogged or replace if it is torn.

Check High Pressure Hose

High pressure hoses can develop leaks from wear, kinking, or abuse. Inspect hose before each use. Check for cuts, leaks, abrasions, bulging of cover, or damage or movement of couplings. If any of these conditions exist, replace hose immediately.

▲ WARNING: The high pressure stream of water that this equipment produces can cut through skin and its underlying tissues, leading to serious injury and possible amputation.

- NEVER repair high pressure hose. Replace it.
- Replacement hose rating MUST exceed maximum pressure rating of unit.

Check Gun and Spray Tip Extension

Examine hose connection to spray gun and make sure it is secure. Test trigger by pressing it and making sure it springs back into place when you release it. Do not depress red button and test trigger. You should not be able to press trigger. Replace spray gun immediately if it fails any of these tests.

Spray Tip Maintenance

A pulsing sensation felt while squeezing the spray gun trigger may be caused by excessive pump pressure. The principal cause of excessive pump pressure is a spray tip clogged or restricted with foreign materials, such as dirt, etc. To correct the problem, immediately clean the spray tip following these instructions:

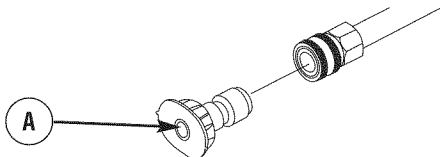
1. Shut off engine and turn off water supply.
2. ALWAYS point spray gun in a safe direction, press red button and and squeeze spray gun trigger to release retained high water pressure.

▲ WARNING: The high pressure stream of water that this equipment produces can cut through skin and its underlying tissues, leading to serious injury and possible amputation.

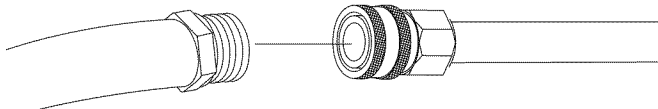
Spray gun traps high water pressure, even when engine is stopped and water is disconnected, which can cause injury.

- Keep high pressure hose connected to pump and spray gun while system is pressurized.
- ALWAYS point spray gun in safe direction, press red button and squeeze spray gun trigger to release high pressure, every time you stop engine.

3. Remove spray tip from end of spray tip extension.
4. Use a small paper clip to free any foreign material clogging or restricting spray tip (A).



5. Remove spray tip extension from spray gun.
6. Using a garden hose, remove additional debris by back flushing water through spray tip extension. Back flush between 30 to 60 seconds.



7. Reinstall spray tip into spray tip extension.
8. Reconnect spray tip extension to spray gun.
9. Make sure garden hose is connected to water inlet. Check that high pressure hose is connected to spray gun and pump. Turn on water.
10. Start engine following instructions *How to Start Your Pressure Washer*.
11. Test pressure washer by operating with each quick connect spray tip.

O-Ring Maintenance

Purchase an O-Ring Repair Kit at your local Sears or by calling **1-800-4-MY-HOME (469-4663)** or online at www.sears.com. It is not included with the pressure washer. This kit includes replacement o-rings, rubber washer and water inlet filter. Refer to the instruction sheet provided in the kit to service your unit's o-rings.

▲ WARNING: The high pressure stream of water that this equipment produces can cut through skin and its underlying tissues, leading to serious injury and possible amputation.

- NEVER repair leaking connections with sealant of any kind. Replace o-ring or seal.

ENGINE MAINTENANCE

▲ WARNING: Unintentional sparking can result in fire or electric shock.



WHEN ADJUSTING OR MAKING REPAIRS TO YOUR PRESSURE WASHER

- Disconnect the spark plug wire from the spark plug and place the wire where it cannot contact spark plug.

WHEN TESTING FOR ENGINE SPARK

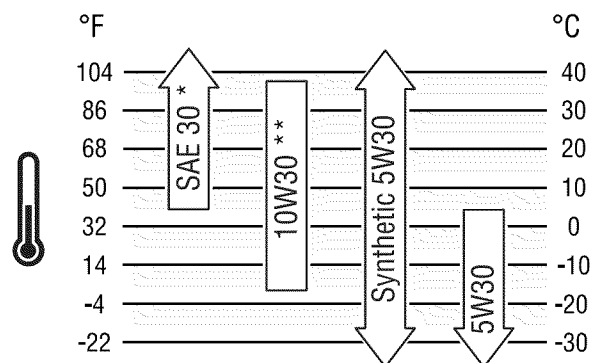
- Use approved spark plug tester.
- DO NOT check for spark with spark plug removed.

Oil

Oil Recommendations

We recommend the use of Briggs & Stratton Warranty Certified oils for best performance. Other high-quality detergent oils are acceptable if classified for service SF, SG, SH, SJ or higher. DO NOT use special additives.

Outdoor temperatures determine the proper oil viscosity for the engine. Use the chart to select the best viscosity for the outdoor temperature range expected.



* Below 40°F (4°C) the use of SAE 30 will result in hard starting.

** Above 80°F (27°C) the use of 10W30 may cause increased oil consumption. Check oil level more frequently.

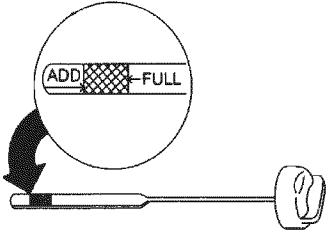


NOTE: Synthetic oil meeting ILSAC GF-2, API certification mark and API service symbol with "SJ/CF ENERGY CONSERVING" or higher, is an acceptable oil at all temperatures. Use of synthetic oil does not alter required oil change intervals.

Checking Oil Level

Oil level should be checked prior to each use or at least every 8 hours of operation. Keep oil level maintained.

1. Make sure pressure washer is on a level surface.
2. Remove oil dipstick and wipe dipstick with clean cloth. Replace and tighten dipstick. Remove and check oil level.
3. Verify oil is at "Full" mark on dipstick. Replace and tighten dipstick.



Adding Engine Oil

1. Make sure pressure washer is on a level surface.
2. Check oil level as described in *Checking Oil Level*.
3. If needed, slowly pour oil into oil fill opening to the "Full" mark on dipstick. DO NOT overfill.

NOTICE: Overfilling with oil may cause the engine to not start, or hard starting.

- DO NOT overfill.
- If over the FULL mark on dipstick, drain oil to reduce oil level to FULL mark on dipstick.

4. Replace and tighten dipstick.

Changing Engine Oil

If you are using your pressure washer under extremely dirty or dusty conditions, or in extremely hot weather, change oil more often.

- CAUTION:** Avoid prolonged or repeated skin contact with used motor oil.
- Used motor oil has been shown to cause skin cancer in certain laboratory animals.
 - Thoroughly wash exposed areas with soap and water.



KEEP OUT OF REACH OF CHILDREN. DON'T POLLUTE. CONSERVE RESOURCES. RETURN USED OIL TO COLLECTION CENTERS.

Change oil while engine is still warm from running, as follows:

1. Drain fuel tank by running pressure washer until fuel tank is empty.
2. Disconnect spark plug wire and keep it away from spark plug.
3. Clean area around oil fill, remove oil fill cap/dipstick. Wipe dipstick clean.

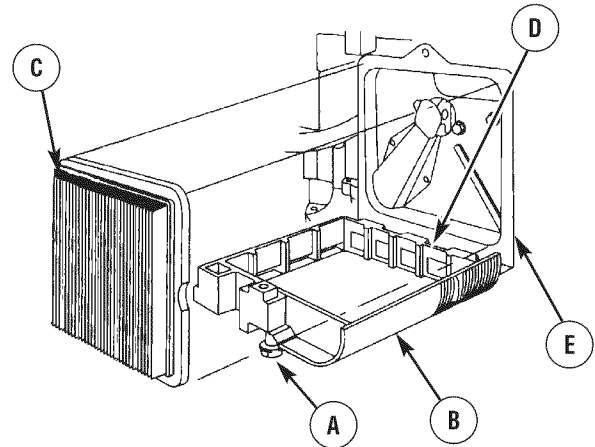
4. Tip your pressure washer to drain oil from oil fill into a suitable container making sure you tip your unit away from spark plug. When crankcase is empty, return pressure washer to upright position.
5. Slowly pour recommended oil (about 18 oz.) into oil fill opening. Pause to permit oil to settle. Fill to "Full" mark on dipstick.
6. Wipe dipstick clean each time oil level is checked. DO NOT overfill.
7. Replace and tighten dipstick.
8. Wipe up any remaining oil.
9. Reconnect spark plug wire to spark plug.

Service Air Cleaner

Your engine will not run properly and may be damaged if you run it with a dirty air cleaner. Service more often if operating under dirty or dusty conditions. Replacements are available at your local Sears service center.

To service the air cleaner, follow these steps:

1. Loosen screw (A) and tilt cover (B) down.



2. Carefully remove cartridge (C) assembly.
3. To clean cartridge, gently tap pleated paper side on a flat surface.
4. Reinstall clean or new cartridge assembly inside cover.
5. Insert cover's tabs (D) into slots in bottom of base (E).
6. Tilt cover up and tighten screw securely to base.

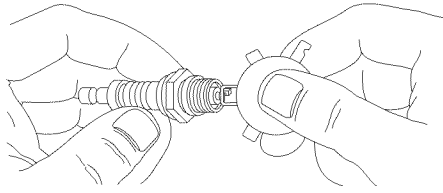
NOTE: You can purchase new air filter elements by calling **1-800-4-MY-HOME (469-4663)**.

Service Spark Plug

Changing the spark plug will help your engine to start easier and run better.

1. Clean area around spark plug.
2. Remove and inspect spark plug.
3. Replace spark plug if electrodes are pitted, burned or porcelain is cracked. Use the recommended replacement plug. See *Specifications*.

4. Check electrode gap with wire feeler gauge and reset spark plug gap to recommended gap if necessary (see *Specifications*).



5. Install spark plug and tighten firmly.

NOTE: You can purchase a new spark plug by calling 1-800-4-MY-HOME (469-4663).

Inspect Muffler and Spark Arrester

Inspect the muffler for cracks, corrosion, or other damage. Remove the spark arrester, if equipped, and inspect for damage or carbon blockage. If replacement parts are required, make sure to use only original equipment replacement parts.

▲ WARNING: Contact with muffler area can result in serious burns. Exhaust heat/gases can ignite combustibles, structures or damage fuel tank causing a fire.



- DO NOT touch hot parts and AVOID hot exhaust gases.
- Allow equipment to cool before touching.
- Keep at least 5 feet (152 cm) of clearance on all sides of pressure washer including overhead.
- It is a violation of California Public Resource Code, Section 4442, to use or operate the engine on any forest-covered, brush-covered, or grass-covered land unless the exhaust system is equipped with a spark arrester, as defined in Section 4442, maintained in effective working order. Other states or federal jurisdictions may have similar laws.

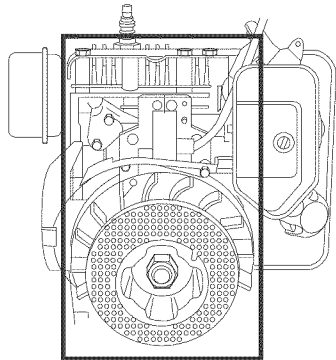
Contact the original equipment manufacturer, retailer, or dealer to obtain a spark arrester designed for the exhaust system installed on this engine.

- Replacement parts must be the same and installed in the same position as the original parts.

Air Cooling System

Over time debris may accumulate in cylinder cooling fins and cannot be observed without partial engine disassembly. For this reason, we recommend you have a qualified Sears service dealer clean the cooling system per recommended intervals (see *Maintenance Schedule*). Equally important is to keep top of engine free from debris. See *Clean Debris*.

Keep areas within heavy line clear of debris.



AFTER EACH USE

Water should not remain in the unit for long periods of time. Sediments or minerals can deposit on pump parts and “freeze” pump action. Follow these procedures after every use:

1. Shut off engine, turn off water supply, point gun in a safe direction, press red button and squeeze trigger to relieve trapped pressure and let engine cool.

▲ WARNING: The high pressure stream of water that this equipment produces can cut through skin and its underlying tissues, leading to serious injury and possible amputation.



Spray gun traps high water pressure, even when engine is stopped and water is disconnected, which can cause injury.

- Keep high pressure hose connected to pump and spray gun while system is pressurized.
- ALWAYS point spray gun in safe direction, press red button and squeeze spray gun trigger to release high pressure, every time you stop engine.

2. Disconnect hose from spray gun and high pressure outlet on pump. Drain water from hose, gun, and spray tip extension. Use a rag to wipe off the hose.
3. Empty pump of all pumped liquids by pulling recoil handle about 6 times. This should remove most liquid in pump.
4. Coil high pressure hose on hose wrap provided on accessory tray.
5. Store unit in a clean, dry area.
6. If storing for more than 30 days see *Long Term Storage* on next page.

▲ WARNING: Fuel and its vapors are extremely flammable and explosive. Fire or explosion can cause severe burns or death.



WHEN STORING FUEL OR EQUIPMENT WITH FUEL IN TANK

- Store away from furnaces, stoves, water heaters, clothes dryers, or other appliances that have pilot light or other ignition source because they can ignite fuel vapors.

STORAGE

WINTER STORAGE

NOTICE: You must protect your unit from freezing temperatures.

- Failure to do so will permanently damage your pump and render your unit inoperable.
- Freeze damage is not covered under warranty.

To protect the unit from freezing temperatures:

1. Follow steps 1-4 in the previous section *After Each Use*.
2. Use pump saver, available at Sears retail item 6039, to treat pump. This minimizes freeze damage and lubricates pistons and seals.
3. If pump saver is not available, connect a 3-foot section of garden hose to water inlet adapter. Pour RV-antifreeze (antifreeze without alcohol) into hose. Pull recoil handle twice. Disconnect 3-foot hose.
4. Store unit in a clean, dry area.

LONG TERM STORAGE

If you do not plan to use the pressure washer for more than 30 days, you must prepare the engine and pump for long term storage.

It is important to prevent gum deposits from forming in essential fuel system parts such as the carburetor, fuel filter, fuel hose or tank during storage. Also, experience indicates that alcohol-blended fuels (called gasohol, ethanol or methanol) can attract moisture, which leads to separation and formation of acids during storage. Acidic gas can damage the fuel system of an engine while in storage.

Protect Fuel System

Fuel Additive:

Fuel can become stale when stored over 30 days. Stale fuel causes acid and gum deposits to form in the fuel system or on essential carburetor parts. To keep fuel fresh, use Briggs & Stratton FRESH START® fuel stabilizer, available as a liquid additive or a drip concentrate cartridge.

There is no need to drain gasoline from the engine if a fuel stabilizer is added according to instructions. Run the engine for 2 minutes to circulate the stabilizer throughout the fuel system. The engine and fuel can then be stored up to 24 months.

If gasoline in the engine has not been treated with a fuel stabilizer, it must be drained into an approved container. Run the engine until it stops from lack of fuel. The use of a fuel stabilizer in the storage container is recommended to maintain freshness.

Change Oil

While engine is still warm, drain oil from crankcase. Refill with recommended grade. See *Changing Engine Oil*.

Oil Cylinder Bore

- Remove spark plug and pour about 1/2 ounce (15 ml) of clean engine oil into the cylinder.
- Install spark plug and pull starter handle slowly to distribute oil.

Protect Pump

To protect the pump from damage caused by mineral deposits or freezing, use PumpSaver, item 6039, to treat pump. This prevents freeze damage and lubricates pistons and seals.

NOTE: PumpSaver is available as an optional accessory. It is not included with the pressure washer. Contact your local Sears service center to purchase PumpSaver.

NOTICE: You must protect your unit from freezing temperatures.

- Failure to do so will permanently damage your pump and render your unit inoperable.
- Freeze damage is not covered under warranty.

To use PumpSaver, make sure the pressure washer is turned off and disconnected from supply water. Read and follow all instructions and warnings given on the PumpSaver container.

Other Storage Tips

1. DO NOT store fuel from one season to another unless it has been treated as described in *Protect Fuel System*.
2. Replace fuel container if it starts to rust. Rust and/or dirt in fuel can cause problems if it's used with this unit.
3. Cover unit with a suitable protective cover that does not retain moisture.

▲ WARNING: Storage covers can be flammable.



- DO NOT place a storage cover over a hot pressure washer.
- Let equipment cool for a sufficient time before placing the cover on the equipment.

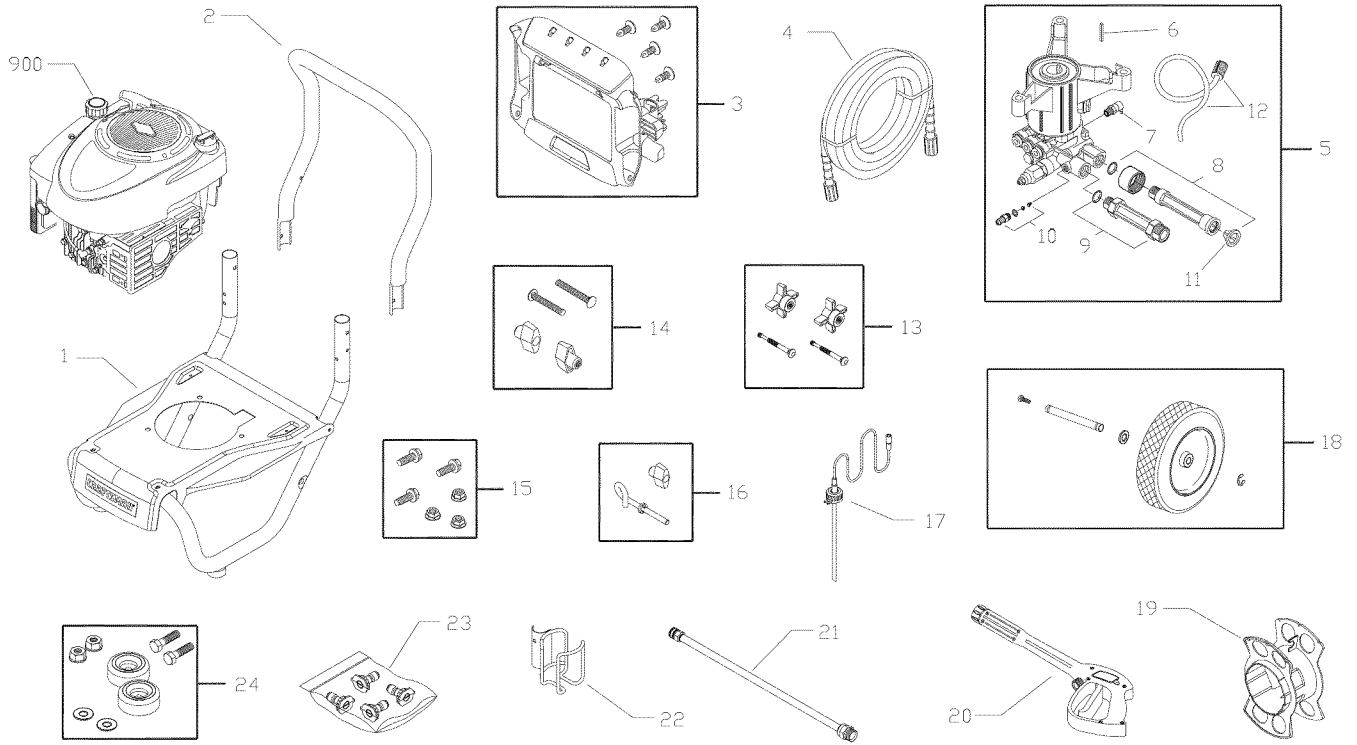
4. Store unit in a clean and dry area.

TROUBLESHOOTING

Problem	Cause	Correction
Pump has following problems: failure to produce pressure, erratic pressure, chattering, loss of pressure, low water volume.	<ol style="list-style-type: none"> 1. Low pressure spray tip installed. 2. Water inlet is blocked. 3. Inadequate water supply. 4. Inlet hose is kinked or leaking. 5. Clogged inlet hose strainer. 6. Water supply is over 100°F. 7. High pressure hose is blocked or leaks. 8. Gun leaks. 9. Spray tip is obstructed. 10. Pump is faulty. 	<ol style="list-style-type: none"> 1. Replace with high pressure spray tip. 2. Clear inlet. 3. Provide adequate water flow. 4. Straighten inlet hose, patch leak. 5. Check and clean inlet hose strainer. 6. Provide cooler water supply. 7. Clear blocks in high pressure hose or replace hose. 8. Replace gun. 9. Clean spray tip. 10. Contact Sears service facility
Detergent fails to mix with spray.	High pressure spray tip installed.	Replace with low pressure spray tip.
Engine runs good at no-load but "bogs" when load is added.	Engine speed is too slow.	Move throttle control to FAST position. If engine still "bogs down", contact Sears service facility.
Engine will not start; or starts and runs rough.	<ol style="list-style-type: none"> 1. Dirty air cleaner. 2. Out of fuel. 3. Stale fuel. 4. Spark plug wire not connected to spark plug. 5. Bad spark plug. 6. Water in fuel. 7. Excessively rich fuel mixture. 	<ol style="list-style-type: none"> 1. Clean or replace air cleaner. 2. Fill fuel tank. 3. Drain fuel tank; fill with fresh fuel. 4. Connect wire to spark plug. 5. Replace spark plug. 6. Drain fuel tank; fill with fresh fuel. 7. Contact Sears service facility.
Engine shuts down during operation.	Out of fuel.	Fill fuel tank.
Engine lacks power.	Dirty air filter.	Replace air filter.

PARTS

CRAFTSMAN 2550 PSI Pressure Washer 580.752190 Main Unit — Exploded View



**CRAFTSMAN 2550 PSI Pressure Washer 580.752190
Main Unit — Parts List**

Item	Part #	Description	Item	Part #	Description
1	205909GS	BASE, w/Vib Mounts	21	200595GS	EXTENSION, QC
2	M204257GS	HANDLE	22	204484GS	WIREFORM
3	205911GS	KIT, Billboard w/Clips & Decals	23	204971GS	KIT, Nozzles
	195964GS	Clips, Tree		198841GS	Nozzle, Soap
4	196006GS	HOSE		195983AEGS	Nozzle, QC, Red
5	202274GS	ASSY, Pump		195983XGS	Nozzle, QC, Yellow
6	23139GS	Key		195983RGS	Nozzle, QC, White
7	194298GS	Valve, Thermal Relief	24	192310GS	KIT, Vibration Mount
8	201496GS	Kit, Water Inlet	900	NSP	ENGINE (126T02-0114-B1) (see pages 24-26)
9	201497GS	Kit, Water Outlet			
10	192914GS	Kit, Hose Tail			
11	B2384GS	Filter, Inlet			
12	189971GS	Kit, Chemical Hose			
13	205910GS	KIT, Handle			
14	B2203GS	KIT, Handle			
15	203526GS	KIT, Pump Mounting Hardware			
16	205912GS	KIT, Rope Guide			
17	204658GS	HOSE, Chemical			
18	205913GS	KIT, Wheel			
	192050GS	E-Ring			
	205411GS	Axle			
19	204684GS	WRAP, Hose			
20	204627GS	GUN			

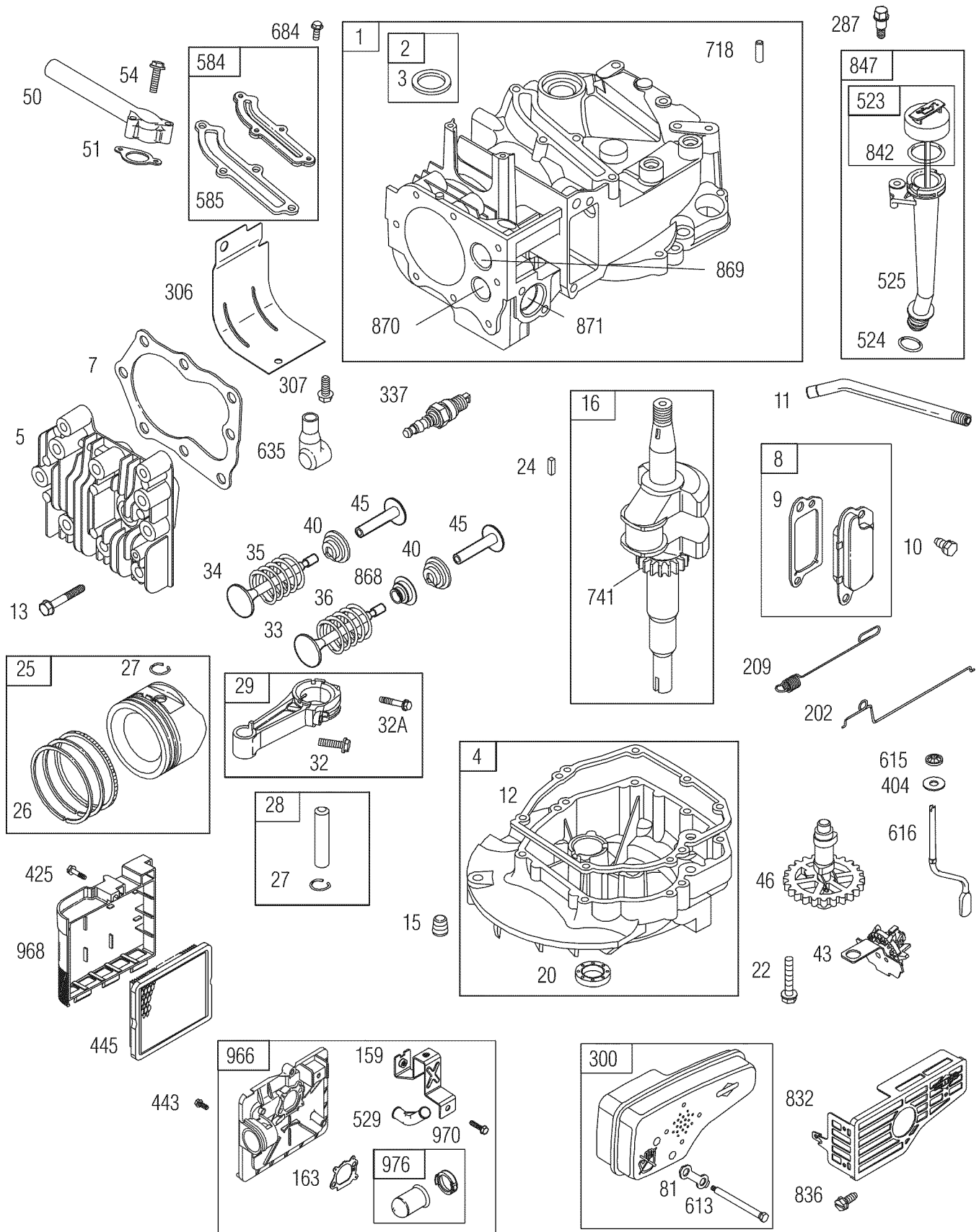
Parts Not Illustrated

Part #	Description
205424GS	MANUAL, Operator's
202637GS	DECAL, Shroud
AB3061BGS	OIL BOTTLE
790701	COVER, Static/Label Assy
282846	COVER, Control
189332GS	CAP, Plug
794693	LABEL, Warning
87815GS	GOGGLES
194256GS	KIT, Tag/Warning, Srv

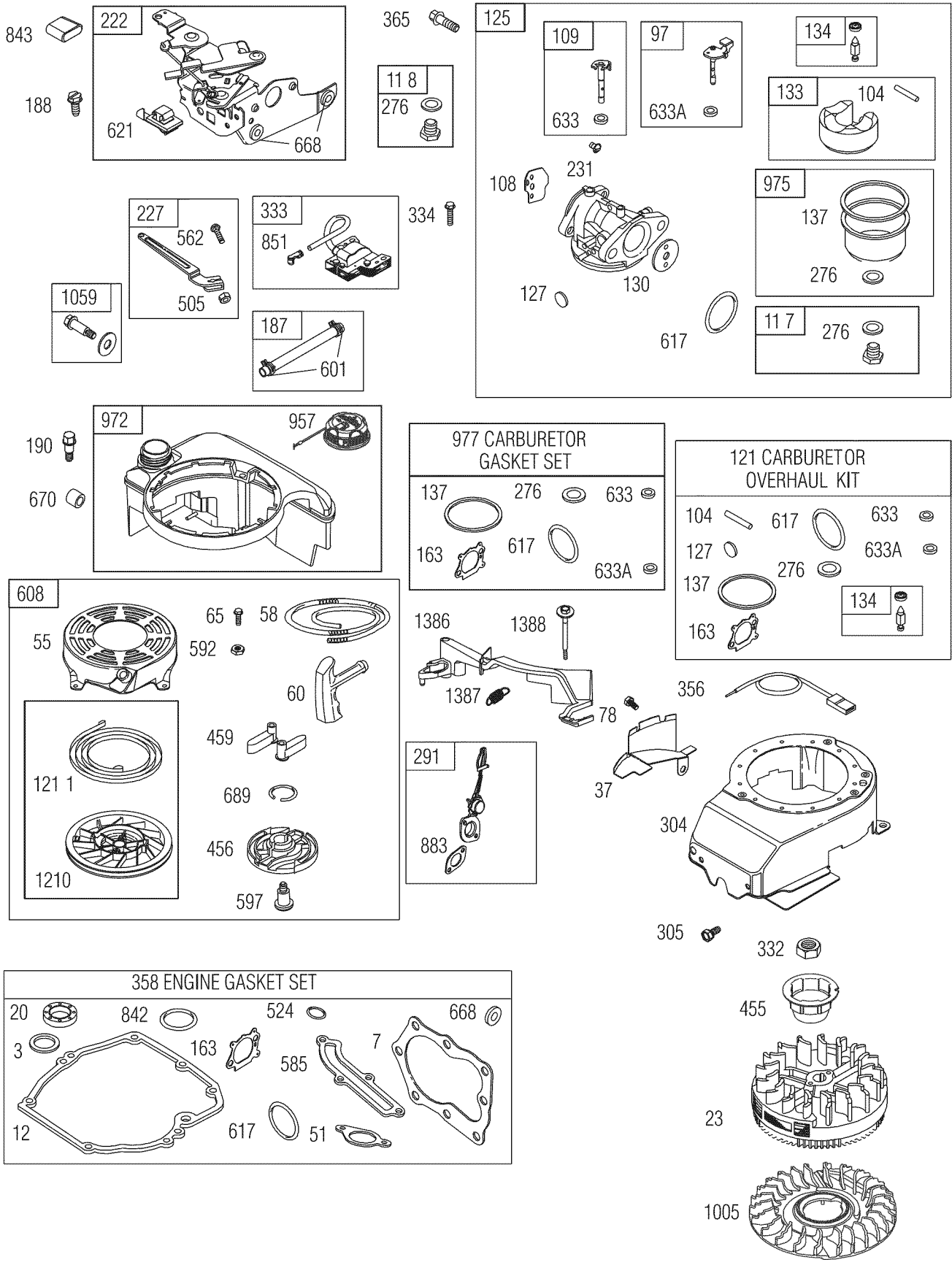
Optional Accessories Not Illustrated

7175187GS	Garden Hose Quick Connect
7175197GS	Accessory Quick Connect
7175124GS	Rotating Brush Kit
7175122GS	30' Replacement Hose
7175116GS	O Ring Repair Kit
7175129GS	Turbo Nozzle
7175121GS	25' Extension Hose
7174402GS	Hose Reel
6039	Pump Saver
6159	Project Pro® PerfectMix™ Multi-Purpose and Vehicle Cleaner
6160	Project Pro® PerfectMix™ Concrete, Brick, and Tile Cleaner
6161	Project Pro® PerfectMix™ Mold and Mildew Cleaner

ENGINE, Briggs & Stratton, 126T02 – Exploded View



ENGINE, Briggs & Stratton, 126T02 – Exploded View



ENGINE, Briggs & Stratton, 126T02 – Parts List

Item	Part #	Description	Item	Part #	Description
1	697322	Cylinder Assembly	304	791291	Housing-Blower
2	399269	Kit- Bushing/Seal (Magneto Side)	305	691108	Screw (Blower Housing)
3	299819S	Seal-Oil (Magneto Side)	306	790836	Shield-Cylinder
4	493279	Sump-Engine	307	690345	Screw (Cylinder Shield)
5	691160	Head-Cylinder	332	690662	Nut (Flywheel)
7	696125	Gasket-Cylinder Head	333	802574	Armature-Magneto
8	695250	Breather Assembly	334	691061	Screw (Magneto Armature)
9	699472	Gasket-Breather	337	802592S	Plug-Spark
10	691125	Screw (Breather Assembly)	356	692390	Wire-Stop
11	691781	Tube-Breather	358	497316	Gasket Set-Engine
12	692232	Gasket-Crankcase	365	692524	Screw (Carburetor)
13	690912	Screw (Cylinder Head)	404	690272	Washer (Governor Crank)
15	691680	Plug-Oil Drain	425	690670	Screw (Air Cleaner Cover)
16	694849	Crankshaft	443	692523	Screw (A/C Primer Bracket)
20	399781S	Seal-Oil (PTO Side)	445	491588S	Filter-A/C Cartridge
22	691092	Screw (Crankcase Cover/Sump)	455	791960	Cup-Flywheel
23	691992	Flywheel	456	692299	Plate-Pawl Friction
24	222698S	Key-Flywheel	459	281505S	Pawl-Ratchet
25	791097	Piston Assembly (Standard)	505	691251	Nut (Governor Control Lever)
	791326	Piston Assembly (.020" Oversize)	523	499621	Dipstick
26	791098	Ring Set (Standard)	524	692296	Seal-Dipstick Tube
	791324	Ring Set (.020" Oversize)	525	495265	Tube-Dipstick
27	691866	Lock-Piston Pin	529	691923	Grommet
28	499423	Pin-Piston	562	691119	Bolt (Governor Lever)
29	499424	Rod-Connecting	584	697734	Cover-Breather Passage
32	691664	Screw (Connecting Rod)	585	691879	Gasket-Breather Passage
32A	695759	Screw (Connecting Rod)	592	690800	Nut (Rewind Starter Housing)
33	262651S	Valve-Exhaust	597	691696	Screw (Pawl Friction Plate)
34	262652S	Valve-Intake	601	791850	Clamp-Hose
35	691270	Spring-Valve (Intake)	608	497680	Starter-Rewind
36	691270	Spring-Valve (Exhaust)	613	790833	Screw (Muffler)
37	694086	Guard-Flywheel	615	690340	Retainer
40	692194	Retainer-Valve	616	698801	Crank-Governor
43	691997	Governor/Oil Slinger	617	270344S	Seal-Intake Manifold
45	690548	Tappet-Valve	621	692310	Switch-Stop
46	691449	Camshaft	633	693867	Seal-Choke/Throttle Shaft (Choke)
50	497465	Manifold-Intake	633A	691321	Seal-Choke/Throttle Shaft (Throttle)
51	272199S	Gasket-Intake	635	66538S	Boot-Spark Plug
54	691650	Screw (Intake Manifold)	668	493823	Spacer (Includes 2)
55	691421	Housing-Rewind Starter	670	692294	Spacer-Fuel Tank
58	697316	Rope-Starter (Cut to Required Length)	684	690345	Screw (Breather Passage Cover)
60	281434S	Grip-Starter Rope	689	691855	Spring-Friction
65	690837	Screw (Rewind Starter Housing)	718	690959	Pin-Locating
78	691108	Screw (Flywheel Guard)	741	790345	Gear-Timing
81	691740	Lock-Muffler Screw	832	499034	Guard-Muffler
97	696565	Shaft-Throttle	836	690664	Screw (Muffler Guard)
104	691242	Pin-Float Hinge	842	691031	Seal- Dipstick Tube
108	790844	Valve-Choke	843	691884	Sleeve-Lever (Speed Control)
109	790843	Shaft-Choke	847	692017	Dipstick/Tube Assembly
117	697355	Jet-Main (Standard)	851	493880S	Terminal-Spark Plug
118	494870	Jet-Main (High Altitude)	868	697338	Seal-Valve
121	498260	Kit-Carburetor Overhaul	869	691155	Seat-Valve (Intake)
125	790845	Carburetor	870	690380	Seat-Valve (Exhaust)
127	694468	Plug-Welch	871	262001	Bushing-Guide (Exhaust Valve)
130	696564	Valve-Throttle	871	63709	Bushing-Guide (Intake Valve)
133	398187	Float-Carburetor	883	691881	Gasket-Exhaust
134	398188	Valve-Needle (Includes Seat)	957	699985	Cap-Fuel Tank
137	693981	Gasket-Float Bowl	966	792040	Base-Air Cleaner Primer
159	691753	Bracket-Air Cleaner Primer	968	692298	Cover-Air Cleaner
163	272653S	Gasket-Air Cleaner	970	691669	Screw (Support Bracket)
187	791766	Line-Fuel (Cut to Required Length)	972	693974	Tank-Fuel
188	693399	Screw (Control Bracket)	975	493640	Bowl-Float
190	690940	Screw (Fuel Tank)	976	694395	Primer-Carburetor
202	691829	Link-Mechanical Governor	977	498261	Gasket Set-Carburetor
209	691290	Spring-Governor	1005	691346	Fan-Flywheel
222	790143	Bracket-Control	1059	692311	Kit-Screw/Washer
227	690783	Lever-Governor Control	1210	498144	Pulley/Spring Assembly (Pulley)
231	691636	Screw (Choke Valve)	1211	498144	Pulley/Spring Assembly (Spring)
276	271716	Washer-Sealing	1386	790848	Vane-Air
287	690940	Screw (Oil Fill Tube)	1387	790849	Spring-Air Vane
291	790830	Thermostat	1388	790850	Screw (Air Vane)(Auto Choke System)
300	790828	Muffler			

NOTES

EMISSION CONTROL SYSTEM WARRANTY

Sears, Roebuck and Co., U.S.A. (Sears), the California Air Resources Board (CARB) and the United States Environmental Protection Agency (U.S.EPA)

Emissions Control System Warranty Statement (Owner's Defect Warranty Rights and Obligations)

The California Air Resources Board (CARB), U.S. EPA and Sears are pleased to explain the Emissions Control System Warranty on your small offroad engine (SORE). In California, new small offroad engines model year 2006 and later must be designed, built and equipped to meet the State's stringent anti-smog standards.

Elsewhere in the United States, new non-road, spark-ignition engines certified for model year 1997 and later must meet similar standards set forth by the U.S. EPA. Sears must warrant the emissions control system on your engine for the periods of time listed below, provided there has been no abuse, neglect or improper maintenance of your small off-road engine.

Your emissions control system includes parts such as the carburetor, air cleaner, ignition system, fuel line, muffler and catalytic converter. Also included may be connectors and other emissions related assemblies.

Where a warrantable condition exists, Sears will repair your small off-road engine at no cost to you including diagnosis, parts and labor.

Sears, Roebuck and Co. Emissions Control Defects Warranty Coverage

Small off-road engines are warranted relative to emissions control parts defects for a period of two years, subject to provisions set forth below. If any covered part on your engine is defective, the part will be repaired or replaced by Sears.

Owner's Warranty Responsibilities

As the small off-road engine owner, you are responsible for the performance of the required maintenance listed in your Operating and Maintenance Instructions. Sears recommends that you retain all your receipts covering maintenance on your small off-road engine, but Sears cannot deny warranty solely for the lack of receipts or for your failure to ensure the performance of all scheduled maintenance.

As the small off-road engine owner, you should however be aware that Sears may deny you warranty coverage if your small off-road engine or a part has failed due to abuse, neglect, improper maintenance or unapproved modifications.

You are responsible for presenting your small off-road engine to an Authorized Sears Service Dealer as soon as a problem exists.

The undisputed warranty repairs should be completed in a reasonable amount of time, not to exceed 30 days.

If you have any questions regarding your warranty rights and responsibilities, you should contact a Sears Service Representative at 1-800-469-4663.

The emissions warranty is a defects warranty. Defects are judged on normal engine performance. The warranty is not related to an in-use emissions test.

Sears, Roebuck and Co. Emissions Control Defects Warranty Provisions

The following are specific provisions relative to your Emissions Control Defects Warranty Coverage. It is in addition to the Sears engine warranty for non-regulated engines found in the Operating and Maintenance Instructions.

1. Warranted Parts

Coverage under this warranty extends only to the parts listed below (the emissions control systems parts) to the extent these parts were present on the engine purchased.

- a. Fuel Metering System
 - Cold start enrichment system

- Carburetor and internal parts
- Fuel Pump
- Fuel line, fuel line fittings, clamps
- Fuel tank, cap and tether
- Carbon canister
- b. Air Induction System
 - Air cleaner
 - Intake manifold
 - Purge and vent line
- c. Ignition System
 - Spark plug(s)
 - Magneto ignition system
- d. Catalyst System
 - Catalytic converter
 - Exhaust manifold
 - Air injection system, Pulse valve
- e. Miscellaneous Items
 - Vacuum, temperature, position, time sensitive valves and switches
 - Connectors and assemblies

2. Length of Coverage

Sears warrants to the initial owner and each subsequent purchaser that the Warranted Parts shall be free from defects in materials and workmanship which caused the failure of the Warranted Parts for a period of two years from the date the engine is delivered to a retail purchaser.

3. No Charge

Repair or replacement of any Warranted Part will be performed at no charge to the owner, including diagnostic labor which leads to the determination that a Warranted Part is defective, if the diagnostic work is performed at an Authorized Sears Service Dealer.

4. Claims and Coverage Exclusions

Warranty claims shall be filed in accordance with the provisions of the Sears Engine Warranty Policy. Warranty coverage shall be excluded for failures of Warranted Parts which are not original Sears parts or because of abuse, neglect or improper maintenance as set forth in the Sears Engine Warranty Policy. Sears is not liable to cover failures of Warranted Parts caused by the use of add-on, non-original, or modified parts.

5. Maintenance

Any Warranted Part which is not scheduled for replacement as required maintenance or which is scheduled only for regular inspection to the effect of "repair or replace as necessary" shall be warranted as to defects for the warranty period. Any Warranted Part which is scheduled for replacement as required maintenance shall be warranted as to defects only for the period of time up to the first scheduled replacement for that part. Any replacement part that is equivalent in performance and durability may be used in the performance of any maintenance or repairs. The owner is responsible for the performance of all required maintenance, as defined in the Sears Operating and Maintenance Instructions.

6. Consequential Coverage

Coverage hereunder shall extend to the failure of any engine components caused by the failure of any Warranted Part still under warranty.

In the USA and Canada, a 24-hour hotline, 1-800-469-4663, has a menu of pre-recorded messages offering you product maintenance information.

Emission Information

Engines that are certified to meet the California Air Resources Board (CARB) Emission Standards must display information regarding the Emissions Durability Period and Air Index. The engine manufacturer makes this information available to the consumer on emission labels. The engine emission label will indicate certification information.

The **Emissions Durability Period** describes the number of hours of actual running time for which the engine is certified to be emissions compliant, assuming proper maintenance in accordance with the Operating & Maintenance Instructions. The following categories are used:

Moderate: Engine is certified to be emission compliant for 125 hours of actual engine running time.

Intermediate: Engine is certified to be emission compliant for 250 hours of actual engine running time.

Extended: Engine is certified to be emission compliant for 500 hours of actual engine running time.

For example, a typical walk-behind lawn mower is used 20 to 25 hours per year. Therefore, the **Emissions Durability Period** of an engine with an **intermediate** rating would equate to 10 to 12 years.

Certain engines will be certified to meet the United States Environmental Protection Agency (USEPA) Phase 2 emission standards. For phase 2 certified engines, the Emissions Compliance Period referred to on the Emissions Compliance label indicates the number of operating hours for which the engine has been shown to meet Federal emission requirements.

For engines less than 225 cc displacement:

Category C = 125 hours

Category B = 250 hours

Category A = 500 hours.

For engines of 225 cc or more displacement:

Category C = 250 hours

Category B = 500 hours

Category A = 1000 hours.

TABLA DE CONTENIDOS

GARANTIA	30	MANTENIMIENTO	44-47
REGLAS DE SEGURIDAD	30-32	ALMACENAMIENTO	48
CARACTERÍSTICAS Y CONTROLES	33	REPARACION DE DAÑOS REPUESTOS	49
MONTAJE	34-37	GARANTIA DEL CONTROL DE EMISIONES	50-51
OPERACION	38-42	COMO ORDENAR PARTES	PAGINA POSTERIOR
ESPECIFICACIONES	43		

GARANTIA

Garantía completa de un año de la limpiadora a presión Craftsman

Si la limpiadora a presión falla debido a defectos de materiales o mano de obra en el plazo de un año a partir de la fecha de compra, devuélvala a cualquier almacén Sears, punto de venta de Craftsman o centro de reparación y repuestos de Sears de los Estados Unidos o Canadá para su reparación gratuita o, en caso de que ésta no sea posible, para su sustitución.

El período de garantía se reducirá a 90 días desde la fecha de compra si la limpiadora a presión se utiliza en algún momento con fines comerciales o de alquiler.

Esta garantía le otorga determinados derechos legales y es posible que tenga otros derechos que pueden variar de un país o estado a otro.

Sears, Roebuck and Co., Dept. 817 WA, Hoffman Estates, IL 60179

Sears Canada Inc., Toronto, Ontario, Canada M5B 2B8

REGLAS DE SEGURIDAD



Lea este manual minuciosamente y conozca a fondo las partes y el funcionamiento de su máquina limpiadora a presión. Conozca sus aplicaciones, sus limitaciones y los peligros involucrados.

Información importante de seguridad

Símbolos sobre la seguridad y significados



Gases Tóxicos



Contragolpe



Descarga Eléctrica



Superficies Resbalosas



Caer



Inyección Líquida



Partes en Movimiento



Objetos Voladores



Superficie Caliente



Fuego



Explosión



Manual del Operario

▲ El símbolo de alerta de seguridad indica un posible riesgo para su integridad física. Se utiliza una palabra de señalización (PELIGRO, ADVERTENCIA o PRECAUCIÓN) junto con el símbolo de alerta para designar un grado o nivel de gravedad de riesgo. Se puede utilizar un símbolo de seguridad para representar el tipo de riesgo. La palabra de señalización *AVISO* se utiliza para hacer referencia a una práctica no relacionada con una lesión física.

▲ **PELIGRO** indica un riesgo que, de no evitarse, *provocará* la muerte o lesiones de gravedad.

▲ **ADVERTENCIA** indica un riesgo que, de no evitarse, *podría* provocar la muerte o lesiones de gravedad.

▲ **PRECAUCIÓN** indica un riesgo que, de no evitarse, *podría* provocar lesiones leves o moderadas.

AVISO hace referencia a una práctica no relacionada con una lesión física.

▲ ADVERTENCIA: El escape del motor de este producto contiene elementos químicos reconocidos en el Estado de California por producir cáncer, defectos de nacimiento u otros daños de tipo reproductivo.

▲ ADVERTENCIA: Determinados componentes en este producto y los accesorios relacionados contienen sustancias químicas declaradas cancerígenas, causantes de malformaciones y otros defectos congénitos por el Estado de California. Lávese las manos después de manipular estos elementos.



▲ ADVERTENCIA: Al motor funcionar, se produce monóxido de carbono, un gas inodoro y venenoso.



Respirar monóxido de carbono puede provocar dolor de cabeza, fatiga, mareos, vómitos, confusión, ataques, náuseas, desmayos o incluso la muerte. Algunas sustancias químicas o los detergentes pueden ser perjudiciales si inhalados o ingeridos, causando la náusea severa, desmayando o para envenenar.



- Opere el limpiadora a presión SOLAMENTE al aire libre.
- Asegúrese de que los gases de escape no puedan entrar por ventanas, puertas, tomas de aire de ventilación u otras aberturas en un espacio cerrado en el que puedan acumularse.
- NO arranque ni deje funcionar el motor en interiores ni en zonas cerradas, aunque haya ventanas y puertas abiertas.
- Utilice un respirador o máscara siempre que exista la posibilidad de inhalar vapores.
- Lea todas las instrucciones de la máscara para asegurarse de que le brindará la protección necesaria contra la inhalación de vapores nocivos.

▲ ADVERTENCIA: El contacto con la zona del silenciador puede producir quemaduras graves. Los gases y el calor de escape pueden inflamar los materiales combustibles y las estructuras o dañar el depósito de combustible y provocar un incendio.



- NO toque las superficies calientes y evite los gases del escape a alta temperatura.
- Permita que el equipo se enfríe antes de tocarlo.
- Deje un espacio mínimo de 1.5 m (5 pies) alrededor del limpiadora a presión, incluida la parte superior.
- Utilizar el motor en un terreno boscoso, con maleza o cubierto de hierba constituye una infracción al Código de recursos públicos de California, a menos que el sistema de escape esté equipado con una pantalla apagachispas, de acuerdo a la definición de la Sección 4442, que se mantenga en buenas condiciones de funcionamiento. En otros estados o jurisdicciones federales puede haber leyes similares en vigor. Póngase en contacto con el fabricante, el vendedor o el distribuidor del equipo original para obtener una pantalla apagachispas diseñada para el sistema de escape instalado en este motor.
- Las piezas de recambio deben ser las mismas que las piezas originales y estar instaladas en la misma posición.

▲ ADVERTENCIA: La gasolina y sus vapores son extremadamente inflamables y explosivos. El fuego o una explosión pueden causar quemaduras severas e inclusive la muerte.



CUANDO ANADA COMBUSTIBLE O VACÍE EL DEPÓSITO

- Apague el limpiadora a presión (posición OFF) y déjelo enfriar al menos por 2 minutos antes de remover la tapa de la combustible. Afloje la tapa lentamente para dejar que la presión salga del tanque.
- Llene o vacíe el depósito de combustible a la intemperie.
- NO llene demasiado el tanque. Permita al menos espacio para la expansión del combustible.
- Si se ha derramado combustible, espere a que se evapore antes de arrancar el motor.
- Mantenga la gasolina alejada de chispas, llamas abiertas, pilotos, calor y otras fuentes de ignición.
- NO encienda un cigarrillo o fume.

CUANDO PONGA EN FUNCIONAMIENTO EL EQUIPO

- Compruebe que la bujía, el silenciador, el tapón del depósito de combustible y el filtro de aire están instalados.
- NO arranque el motor sin la bujía instalada.

CUANDO OPERE EL EQUIPO

- NO incline el motor o el equipo, de tal manera que la gasolina se pueda derramar.
- NO rocíe líquidos inflamables.


CUANDO TRANSPORTE O REPARE EL EQUIPO

- Transporte o repare el equipo con el tanque de combustible vacío, o con la válvula para apagar el combustible, apagada (posición OFF).
- Desconecte el cable de la bujía.

CUANDO ALMACENE O GUARDE EL EQUIPO CON COMBUSTIBLE EN EL TANQUE

- Almacene alejado de calderas, estufas, calentadores de agua, secadoras de ropa u otros aparatos electrodomésticos que posean pilotos u otras fuentes de ignición, porque ellos pueden encender los vapores de la combustible.

▲ ADVERTENCIA: El retroceso (repliegue rápido) del cable del arrancador puede producir lesiones. El retroceso impedirá que el usuario suelte el cable a tiempo y tirará de su mano y brazo hacia el motor. Como resultado, podrían producirse fracturas, contusiones o esguinces.



- NUNCA tire del cable del arrancador sin eliminar previamente la presión de la pistola rociadora.
- Cuando arranque el motor, tire lentamente del cable hasta sentir una resistencia y, a continuación, tire rápidamente de él para evitar su retroceso.
- Después de cada intento de arranque, cuando el motor no consiga arrancar, apunte con la pistola rociadora hacia una dirección segura, pulse el botón rojo y apriete el gatillo para descargar la presión.
- Sujete firmemente la pistola rociadora con ambas manos cuando aplique un rociado a alta presión para evitar lesiones cuando se produzca el retroceso de la pistola.

▲ ADVERTENCIA: El uso de limpiadora a presión puede crear los charcos y superficies resbalosas.



El retroceso de la pistola rociadora puede provocar caídas.

- Utilice la limpiadora a presión desde una superficie estable.
- El área de limpieza deberá tener inclinaciones y drenajes adecuados para disminuir la posibilidad de caídas debido a superficies resbalosas.
- Extreme las precauciones si necesita utilizar la limpiadora a presión desde una escalera, un andamio u otro lugar similar.
- Sujete firmemente la pistola rociadora con ambas manos cuando aplique un rociado a alta presión para evitar lesiones cuando se produzca el retroceso de la pistola.

▲ ADVERTENCIA: Riesgo de electrocución. El contacto con los cables eléctricos puede provocar electrocución y quemaduras.



- NUNCA rocíe cerca de una fuente de energía eléctrica.

▲ ADVERTENCIA: El chorro de agua a alta presión que este equipo produce, puede atravesar la piel y los tejidos subcutáneos, provocando lesiones de gravedad que podrían dar lugar a la amputación de un miembro.



La pistola rociadora contiene agua a alta presión incluso con el motor parado y el agua desconectada, que puede causar la herida.

- NO permita en ningún momento que NIÑOS operen la máquina limpiadora a presión.
- NUNCA repare la manguera de alta presión. Remplacela.
- NUNCA utilice ningún tipo de sellador para reparar una fuga en una conexión. Sustituya la junta tórica o la junta.
- NUNCA conecte la manguera de alta presión al prolongador de la boquilla.
- Mantenga conectada la manguera a la máquina o a la pistola de rociado cuando el sistema esté presurizado.
- SIEMPRE que pare el motor, apunte con la pistola rociadora hacia una dirección segura, pulse el botón rojo y apriete el gatillo para descargar la presión.
- NUNCA apunte la pistola a la gente, animales o plantas.
- NO fije la pistola rociadora en la posición abierta.
- NO abandone la pistola rociadora cuando la máquina esté en funcionamiento.
- NUNCA utilice una pistola rociadora cuyo seguro o protección para el gatillo no esté en perfecto estado de funcionamiento.
- Asegúrese en todo momento de conectar correctamente la pistola rociadora, las boquillas y los accesorios.

▲ ADVERTENCIA: El arrancador y otras piezas que rotan pueden enredar las manos, el pelo, la ropa, o los accesorios.



- NUNCA utilice la limpiadora a presión sin sus carcasas o tapas de protección.
- NO use ropa suelta, joyas o elementos que puedan quedar atrapados en el arranque o en otras partes rotatorias.
- Ate para arriba el pelo largo y quite la joyería.

▲ ADVERTENCIA: Chispear involuntario puede tener como resultado el fuego o el golpe eléctrico.



CUANDO AJUSTE O HAGA REPARACIONES A SU MÁQUINA LIMPIADORA A PRESIÓN

- Siempre desconecte el alambre de la bujía y colóquelo donde no pueda entrar en contacto con la bujía.

CUANDO PRUEBE LA BUJÍA DEL MOTOR

- Utilice un comprobador de bujías homologado.
- NO compruebe la chispa sin la bujía instalada.

▲ ADVERTENCIA: Riesgo de lesiones oculares. El agua rociada puede salpicar o propulsar objetos.



- Utilice siempre gafas de protección cuando utilice este equipo o si se encuentra cerca de donde se está utilizando.
- Antes de poner en marcha la limpiadora a presión, asegúrese de llevar gafas de protección adecuadas.
- Utilice SIEMPRE las gafas de seguridad apropiadas.

AVISO: El rociado de alta presión puede dañar elementos frágiles, incluyendo el vidrio.

- NO dirija la pistola rociadora hacia un cristal cuando utilice la punta de rocío de roja de 0°.
- NUNCA apunte la pistola a plantas.

AVISO: El tratamiento inadecuado del limpiadora a presión puede dañarlo y acortar su vida productiva.

- Si usted tiene alguna pregunta acerca de las finalidades de uso del generador, pregúntele a su concesionario o contacte a Sears.
- NUNCA deberán ser operadas las unidades con partes rotas o ausentes, o sin la caja o cubiertas de protección.
- NO eluda ningún dispositivo de seguridad de esta máquina.
- NO intente alterar la velocidad controlada.
- NO utilice la limpiadora a presión por encima de su presión nominal.
- NO haga ninguna modificación en la limpiadora a presión.
- Antes de poner en marcha la máquina limpiadora a presión en clima frío, revise todas las partes del equipo y asegúrese de que no se haya formado hielo sobre ellas.
- NUNCA mueva la máquina halando la manguera de alta presión. Utilice la manija que viene con la unidad.
- Revise que el sistema de combustible no presente fugas o signos de deterioro, como mangueras desgastadas o porosas, sujetadores flojos o ausentes, tapa o tanque dañados. Corrija todos los defectos antes de operar la máquina limpiadora a presión.
- El equipo de alta presión está diseñado para ser utilizado ÚNICAMENTE con las partes autorizadas Sears. Si utiliza este equipo con partes que no cumplan con las especificaciones mínimas, el usuario asume todos los riesgos y responsabilidades.

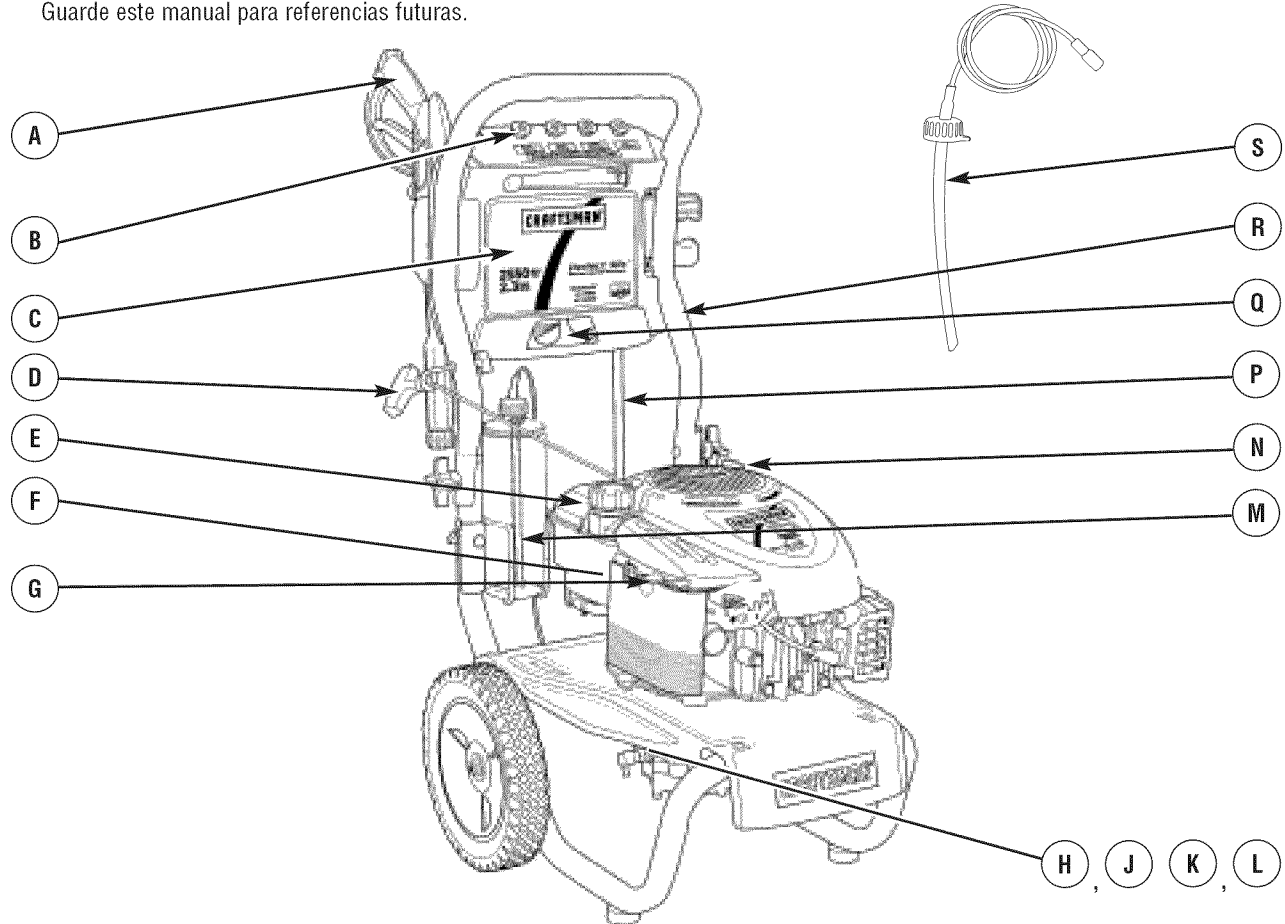
CARACTERÍSTICAS Y CONTROLES

CONOZCA SU MAQUINA SISTEMA DE LIMPIEZA



Lea el Manual del Operario y las reglas de seguridad antes de poner en marcha su sistema de limpieza.

Compare las ilustraciones con su sistema de limpieza para familiarizarse con las ubicaciones de los diferentes controles y ajustes. Guarde este manual para referencias futuras.



A - Pistola de Rociado — Controla la aplicación de agua sobre la superficie de limpieza con el gatillo. Incluye cerrojo de seguridad.

B - Puntas de Rociado — Detergente, 0°, 15° y 40°: para diferentes alta presión aplicaciones de limpieza.

C - Bandeja de Accesorios — Permite almacenar cómodamente los accesorios de serie.

D - Arrancador de Retroceso — Usado para arrancar el motor manualmente.

E - Tanque del Combustible — Llene el tanque con gasolina regular sin contenido de plomo en este punto. Siempre habitación de hoja para la expansión del combustible.

F - Filtro de Aire — El elemento de filtro tipo seco limita la cantidad de suciedad y polvo que se introduce en el motor.

G - Palanca de Control de la Válvula de Regulación — Coloca el motor en modo de arranque para el arrancador de retroceso y detiene el motor en funcionamiento.

H - Bomba — Desarrolla alta presión de agua.

J - Automático se Enfría Sistema — Los ciclos regan por bomba cuando agua alcanza 125°-155°F. Entibiar agua descargará de la bomba en el suelo. Este sistema previene el daño interno de bomba.

K - Toma de Alta Presión — Conexión para la manguera de alta presión.

L - Entrada de Agua — Conexión para la manguera de jardín.

M - Soporte para botella — La botella de solución limpiadora se coloca en el soporte de alambre.

N - Tapa del Depósito del Aceite — Llene el motor con aceite aquí.

P - Extensión para Boquillas con Conexión Rápida — Le permite usar cuatro puntas de rociado diferentes.

Q - Manguera de Alta Presión — La abrazadera de la manguera facilita el transporte y manejo de la manguera de alta presión. Conecte un extremo de la manguera a la bomba de agua y el otro a la pistola rociadora.

R - Asa plegable — El asa y la bandeja de accesorios se pliegan sobre el motor cuando está frío para reducir el espacio necesario para el almacenamiento.

S - ProjectPro® PerfectMix™ — Una de ellas está conectada al depósito de limpieza, y la otra se utiliza para inyectar detergentes aptos para la limpiadora a presión desde una botella u otro recipiente.

No mostrado:

Etiqueta de Identificación (el trasero cercano de plato despreciable) — Proporciona el modelo y el número de serie de limpiadora a presión. Tenga por favor estos prontamente disponible cuándo llamar para la ayuda.

Etiqueta de Advertencia e Instrucciones — Identifica los riesgos e indica el procedimiento adecuado de puesta en marcha o de parada de la limpiadora a presión.

Gafas de Seguridad — Siempre use las gafas encerradas cuando correr su limpiadora a presión.

MONTAJE

Su sistema de limpieza requiere de cierto ensamble y estará lista para ser usado únicamente después de haber depositado el combustible y el aceite recomendado.

Si tiene problemas con el ensamble de su máquina limpiadora a presión, llame a la línea de ayuda de la máquina limpiadora a presión al 1-800-222-3136.

Desembale la Limpiadora a Presión

1. Saque todo el contenido de la caja de cartón, a excepción de la limpiadora a presión.
2. Abra completamente la caja de cartón cortando cada una de sus esquinas de arriba abajo.
3. Saque la limpiadora a presión de la caja de cartón.

Contenido de la Caja

Revise el contenido de la caja. Si alguna de las partes no está presente o está dañada, llame a la línea de ayuda de la máquina limpiadora a presión al 1-800-222-3136.

- La unidad principal
- Manubrio
- Bandeja de accesorios
- La manguera de alta presión
- Pistola de rociado
- Extensión de la boquilla con conector rápido
- Aceite para motor
- Abrazadera de la manguera
- Soportes para botellas
- Manguera de sifón del detergente
- Bolsa de partes (incluye los elementos descritos a continuación)
 - Manual del operador
 - Tarjeta de la matrícula
 - Gafas de seguridad
 - Manguera de sifón del detergente de ProjectPro® PerfectMix™
 - Bolsa con 4 puntas de rociado de conexiones rápidas multicolores
 - Piezas para la manubrio (incluye lo siguiente):
 - Pernos para manubrio (2)
 - Perilla Plástica para manubrio (2)
 - Guía de la cuerda (1)
 - Pernos de cabeza redonda (1)
 - Perilla Plástica (2)
 - Pinzas de árbol (4)

Familiarícese con cada parte antes de ensamblar la máquina limpiadora a presión. Compare el contenido con la ilustración de la página 33. Si alguna de las partes no está presente o se encuentra dañada, llame a la línea de ayuda de la máquina limpiadora a presión al 1-800-222-3136.

MONTAJE DEL SISTEMA DE LIMPIEZA

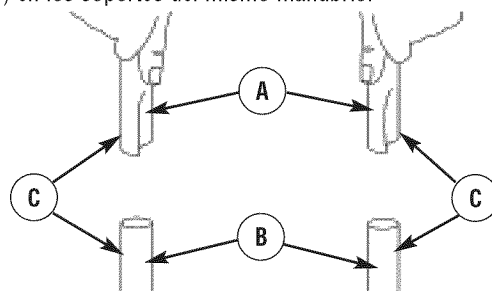
Usted deberá llevar a cabo los siguientes procedimientos antes de poner en funcionamiento su sistema de limpieza:

1. Llene y mande en tarjeta de matrícula.
2. Conecte manubrio y bandeja de accesorios.
3. Conecte la manguera de sifón del detergente a la bomba.

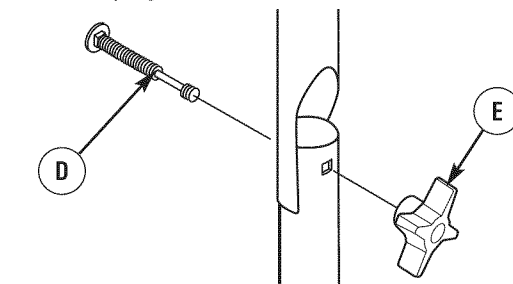
4. Añada aceite al motor.
5. Añada gasolina al tanque de combustible.
6. Conecte manguera a alta presión a pistola rociadora y a bomba.
7. Conecte el suministro de agua a bomba.
8. Conecte boquilla la extensión al pistola rociadora.
9. Selecto/conecta rápido conecta punta de rociado a la extensión de la boquilla.

Conecte el Manubrio y Bandeja de Accesorios

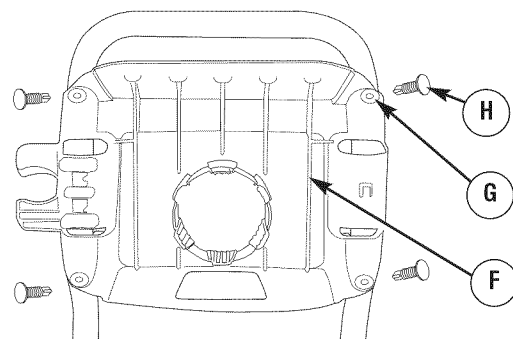
1. Coloque el manubrio (A) a lado de los soportes del mismo (B) que ya están adheridos a la unidad principal. Asegúrese de que los orificios (C) en el manubrio estén alineados con los orificios (C) en los soportes del mismo manubrio.



2. Inserte los pernos de cabeza redonda (D) del asa en los orificios desde el interior de la unidad y coloque un pomo de plástico (E) desde la parte exterior. Apriete a mano. Si se aflojan los dos pomos de la parte intermedia del perno de sujeción, el asa superior se puede plegar sobre el motor cuando está frío.

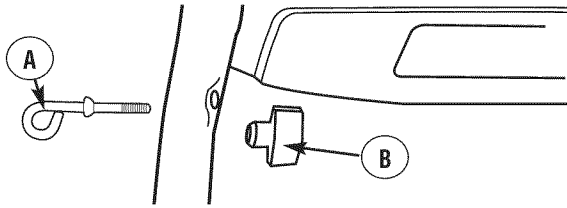


3. Coloque la bandeja de accesorios (F) sobre los orificios (G) del manubrio (vista desde la parte detrás de la unidad). Presione las pinzas de árbol (H) para introducir las en los orificios hasta que queden a nivel con la bandeja de accesorios.

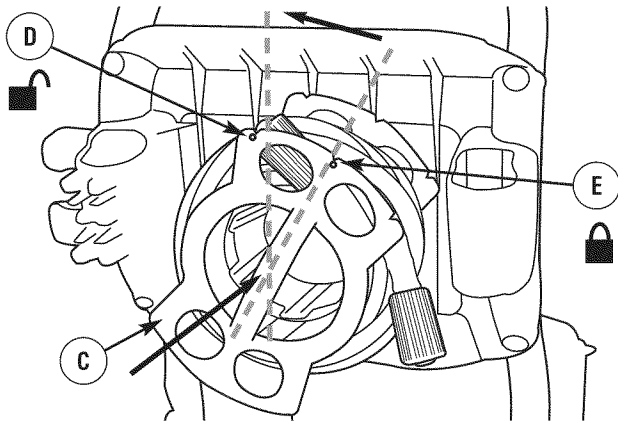


4. Inserte las boquillas de colores y el resto de los accesorios en los espacios correspondientes de la bandeja de accesorios. Consulte *Cómo Usar la Bandeja de Accesorios*.

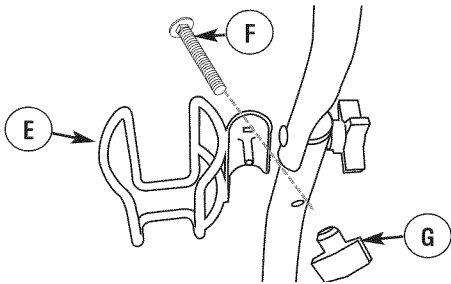
- Fije la guía de la cuerda (A) al asa con el pomo de plástico negro (B). Apriete a mano. Pase la cuerda del arrancador por el fijador.



- Alinee la o las abrazaderas de la manguera (C) con la parte trasera de la bandeja de accesorios. Alinee las muescas y coloque la abrazadera de la manguera sobre el soporte de la parte trasera de la bandeja de accesorios. Los pasadores de la parte trasera de la bandeja de accesorios deben penetrar en las ranuras de la superficie interior de la abrazadera de la manguera (D). Gire un octavo de vuelta para fijar la posición (E).



- Fije los soportes para botellas (E) al asa con pernos de cabeza redonda (F) y pomos de plástico negro (G). Apriete a mano.



Sistema de inyección "2 en 1"

La limpiadora a presión está equipada con dos mangueras de inyección de detergente.

Sistema de inyección Project Pro PerfectMix™



Tubo azul con tapón de botella azul:

Cuando haga uso del sistema de inyección PerfectMix™ azul, utilice el concentrado directamente de la botella. (Un cuarto de botella de concentrado Perfect Mix™ permite preparar 16 litros de solución jabonosa.)

Tubo de inyección estándar transparente

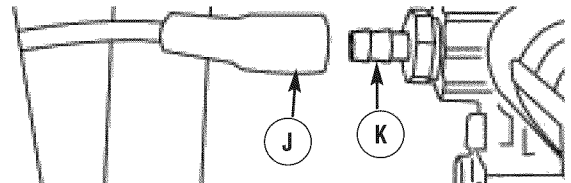


Tubo transparente con filtro:

Cuando utilice el tubo de inyección transparente, diluya 1 parte de concentrado por 16 partes de agua. (120 ml de concentrado estándar permiten obtener 1,90 litros de mezcla.)

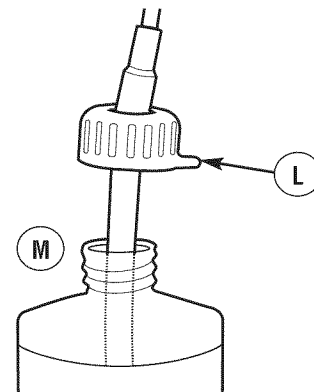
Conecte el sistema de inyección Project Pro® PerfectMix a la bomba

Conecte el extremo de la manguera del sistema de inyección Project Pro® PerfectMix (J) al acoplamiento dentado de la manguera (K) de la bomba.



Conecte el sistema de inyección de detergente PerfectMix™ a la botella de concentrado

Coloque la botella de Project Pro® PerfectMix™ (no incluida) en el soporte de alambre del asa. Quite el tapón de la botella e inserte el sistema de inyección Project Pro® PerfectMix (L). Enrosque la unidad de inyección a la parte superior de la botella (M). Utilice el clip del tapón (L) para encajar el sistema de inyección en el soporte de alambre cuando no esté en una botella de concentrado.



Agregue Aceite de Motor

1. Coloque la limpiadora a presión en una superficie plana y nivelada.
2. Limpie la zona de alrededor del orificio de llenado de aceite y quite el tapón amarillo.
3. Con la ayuda de un embudo (opcional), vierta lentamente todo el contenido de la botella de aceite por el orificio de llenado de aceite.

AVISO: El tratamiento inadecuado del limpiadora a presión puede dañarlo y acortar su vida productiva.

- NO procure acodar ni empezar el motor antes ha sido atendido a apropiadamente con el aceite recomendado. Esto puede tener como resultado una avería del motor.
4. Vuelva a colocar el tapón y apriételo firmemente.

Agregue Gasolina

El combustible debe reunir los siguientes requisitos:

- Gasolina sin plomo limpia y nueva.
- Un mínimo de 87 octanos/87 AKI (91 RON). Para uso a gran altitud, consulte *Gran altitud*.
- El motor admite gasolina con hasta un 10% de etanol (gasohol) o hasta un 15% de MTBE (éter metil terbutílico).

AVISO: Evite el daño del limpiadora a presión.

El fracaso para seguir Manual de Operario para el combustible reccomendations garantía de vacíos.

- NO utilice gasolina no autorizada; por ejemplo, E85.
- NO mezcle aceite con gasolina.
- NO modifique el motor para hacerlo funcionar con otros combustibles.

Para evitar la formación de carbonilla en el circuito de combustible, siempre que añada combustible, mézclelo con un estabilizador. Consulte *Almacenamiento*. NO todos los combustibles son iguales. Si detecta problemas de arranque o de rendimiento después de utilizar un combustible, pruebe a cambiar de proveedor o de marca. Este motor está certificado para funcionar con gasolina. Su sistema de control de emisiones es EM (Modificaciones del motor).

▲ ADVERTENCIA: La gasolina y sus vapores son extremadamente inflamables y explosivos.

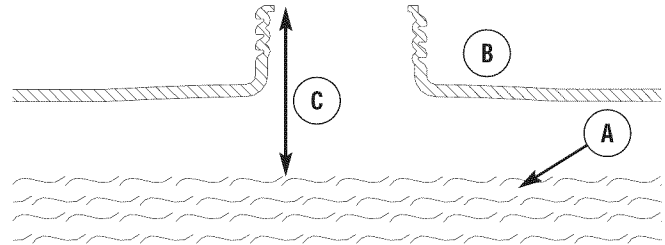


El fuego o una explosión pueden causar quemaduras severas e inclusive la muerte.

CUANDO ANADA COMBUSTIBLE EL DEPÓSITO

- Apague el limpiadora a presión (posición OFF) y déjelo enfriar al menos por 2 minutos antes de remover la tapa de la combustible. Afloje la tapa lentamente para dejar que la presión salga del tanque.
- Llene el depósito de combustible a la intemperie.
- NO llene demasiado el tanque. Permita al menos espacio para la expansión del combustible.
- Si se ha derramado combustible, espere a que se evapore antes de arrancar el motor.
- Mantenga la gasolina alejada de chispas, llamas abiertas, pilotos, calor y otras fuentes de ignición.
- NO encienda un cigarrillo o fume.

1. Limpie el área alrededor de la tapa de llenado del combustible, retire la tapa.
2. Añada lentamente gasolina sin plomo (A) al depósito de combustible (B). NO añada combustible en exceso. Deje aproximadamente 4 cm (1,5") de espacio (C) en el depósito para permitir la expansión del combustible, como se muestra.



3. Instale la tapa del tanque de combustible y la espera para algún combustible rociado para evaporar.

¡PRECAUCIÓN! Los combustibles con mezcla de alcohol (gasohol, etanol o metanol) pueden atraer la humedad y provocar la separación y formación de ácidos durante el almacenamiento. Los gases ácidos pueden dañar el circuito de combustible y el motor durante el almacenamiento.

Para evitar este tipo de problemas, vacíe el circuito de combustible cuando vaya a almacenar la unidad durante 30 días o más. Vacíe el depósito de combustible, arranque el motor y déjelo funcionar hasta que los conductos de combustible y el carburador queden vacíos. Utilice combustible nuevo la próxima temporada. Para obtener más información al respecto, consulte *Almacenamiento*.

NUNCA utilice productos limpiadores para motores o carburadores en el depósito de combustible, ya que podrían provocar daños permanentes.

Gran altitud

En altitudes superiores a 1.524 metros (5.000 pies), se deberá utilizar gasolina con un mínimo de 85 octanos / 85 AKI (89 RON). Para seguir cumpliendo la normativa sobre emisiones, es necesario ajustar la unidad para su uso a gran altitud. De no realizarse este ajuste, el rendimiento se reducirá y el consumo de combustible y las emisiones aumentarán. Para obtener más información sobre el ajuste para gran altitud, consulte con un distribuidor cualificado de Sears. No se recomienda utilizar el motor a altitudes inferiores a 762 metros (2.500 pies) con el juego de gran altitud.

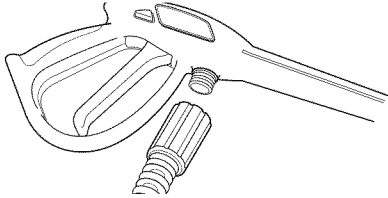
Conecte la Manguera y el Suministro de Agua a la Bomba

AVISO: NO haga funcionar la bomba si no tiene el suministro conectado y abierto.

- El daño a la limpiadora a presión, resultado de la desatención a esta precaución, no será cubierto por la garantía.

NOTA: Antes de conectar las mangueras, retire y deseche los tapones de transporte de la salida de alta presión y de la entrada de agua de la bomba.

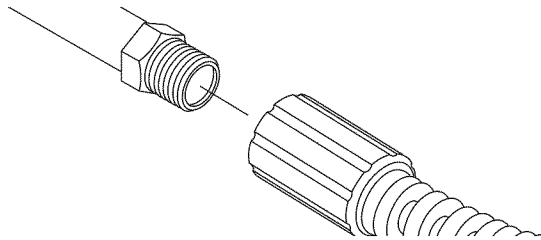
1. Retroceda la manguera a alta presión y conecte a la base de la pistola rociadora. Apriete con la mano.



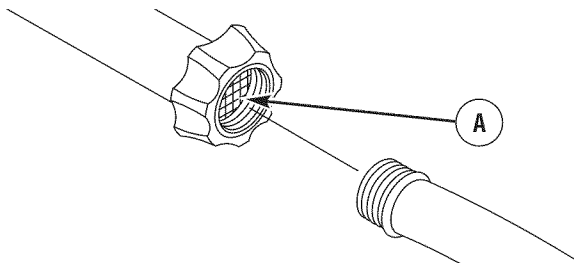
⚠ ADVERTENCIA: El chorro de agua a alta presión que este equipo produce, puede atravesar la piel y los tejidos subcutáneos, provocando lesiones de gravedad que podrían dar lugar a la amputación de un miembro.

- NUNCA conecte la manguera de alta presión al prolongador de la boquilla.
- Mantenga conectada la manguera a la máquina o a la pistola de rociado cuando el sistema esté presurizado.
- Asegúrese en todo momento de conectar correctamente la pistola rociadora, las boquillas y los accesorios.

2. Conecte el otro extremo de la manguera a alta presión, a la salida de alta presión de la bomba. Apriete con la mano.



3. Antes de que conecte la manguera de jardín a la entrada de agua, inspeccione el colador de la entrada (A). Limpie el colador si tiene residuos o solicite su remplazo si está dañado. **NO haga funcionar la limpiadora a presión si el filtro de entrada falta o está dañado.**



4. Haga correr el agua a través de la manguera de su jardín por 30 segundos para limpiar cualquier escombros que se encuentre en ella. Desconecte el agua.

IMPORTANTE: Hace NO agua de parar de siphon para el abastecimiento de agua. Use agua SOLO fría (menos que 100°F).

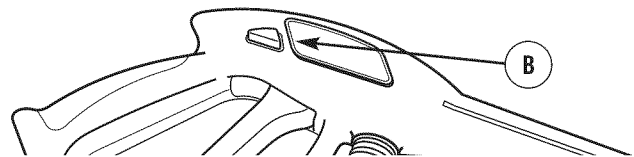
AVISO: El uso de una válvula unidireccional (igualador de presión o válvula de retención) en la entrada de la bomba puede producir daños en la bomba o en el conector de entrada.

- DEBE haber un mínimo de 3 metros (10 pies) de manguera de riego libre entre la entrada de la limpiadora a presión y cualquier dispositivo, como un igualador de presión o una válvula de retención).
 - El daño a la limpiadora a presión, resultado de la desatención a esta precaución, no será cubierto por la garantía.
5. Conecte la manguera de jardín (no exceder 50 pies en la longitud) a la entrada del agua. Apriete con la mano.

⚠ ADVERTENCIA: Riesgo de lesiones oculares. El agua rociada puede salpicar o propulsar objetos.

- Utilice siempre gafas de protección cuando utilice este equipo o si se encuentra cerca de donde se está utilizando.
- Antes de poner en marcha la limpiadora a presión, asegúrese de llevar gafas de protección adecuadas.
- Utilice SIEMPRE las gafas de seguridad apropiadas.

6. ABRA el agua, apunte con la pistola hacia una dirección segura presione el seguro (botón rojo) (B) y apriete el gatillo para eliminar el aire y las impurezas del sistema de bombeo.



Lista de Revisión Previa al Arranque del Motor

Revise la unidad para asegurarse que ha llevado a cabo los siguientes procedimientos:

1. Asegúrese de leer las secciones *Reglas de Seguridad y Operación* antes de usar el sistema de limpieza.
2. Revise que los sujetadores del carrete de la manguera estén apretados.
3. Revise que haya sido depositado aceite y esté al nivel correcto en la caja del cigüeñal del motor.
4. Deposite la gasolina adecuada en el tanque del combustible.
5. Revise que todas las conexiones de las mangueras (alta presión y suministro de agua) estén apretadas correctamente y que no existan dobleces, cortes o daño de la manguera de alta presión.
6. Proporcione el suministro de agua adecuado (que no exceda los 100°F).

OPERACION

COMO USAR SU SISTEMA DE LIMPIEZA

Si tiene problemas con el funcionamiento de su máquina limpiadora a presión, por favor llame a la línea de ayuda de la máquina limpiadora a presión al **1-800-222-3136**.

Ubicación del limpiadora a presión

Espacio libre alrededor del limpiadora a presión

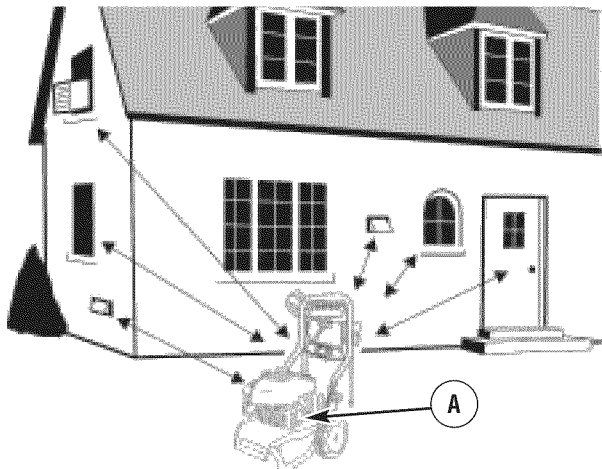
▲ ADVERTENCIA: Los gases y el calor de escape pueden inflamar los materiales combustibles y las estructuras o dañar el depósito de combustible y provocar un incendio.

- Deje un espacio mínimo de 1.5 m (5 pies) alrededor del limpiadora a presión, incluida la parte superior.

Coloque la limpiadora a presión a la intemperie en una zona en donde no se acumulen gases de escape mortales. Asegúrese de que los gases de escape (**A**) no puedan entrar por ventanas, puertas, tomas de aire de ventilación u otras aberturas en un espacio cerrado en el que puedan acumularse. Tenga en cuenta los vientos y las corriente de aire preponderantes cuando elija la ubicación del limpiadora a presión.

▲ ADVERTENCIA: Al motor funcionar, se produce monóxido de carbono, un gas inodoro y venenoso.

- Respirar monóxido de carbono puede provocar dolor de cabeza, fatiga, mareos, vómitos, confusión, ataques, náuseas, desmayos o incluso la muerte.
- Opere el limpiadora a presión **SOLAMENTE** al aire libre.
 - Asegúrese de que los gases de escape no puedan entrar por ventanas, puertas, tomas de aire de ventilación u otras aberturas en un espacio cerrado en el que puedan acumularse.
 - **NO** arranque ni deje funcionar el motor en interiores ni en zonas cerradas, aunque haya ventanas y puertas abiertas.



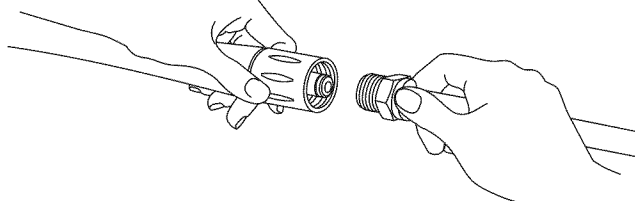
Para Poner en Marcha el Sistema de Limpieza

Para darle arranque a su sistema de limpieza movido a motor por primera vez, siga estas instrucciones paso a paso. Esta información acerca de la puesta en marcha inicial también es válida para cuando vaya a darle arranque al motor después de haberlo dejado la máquina limpiadora a presión fuera de funcionamiento por lo menos un día.

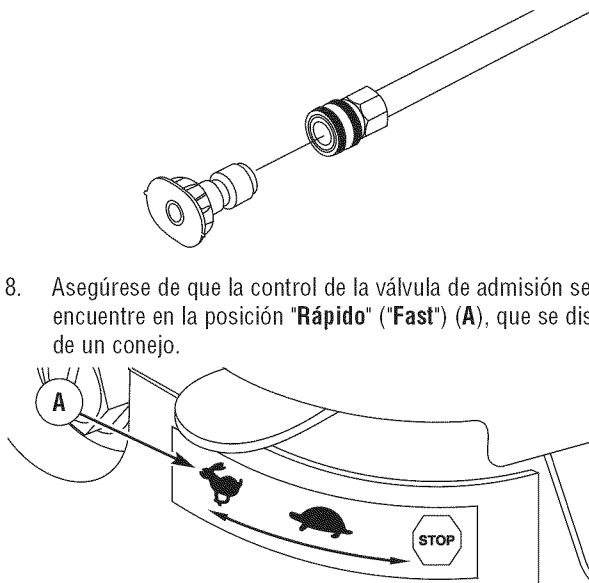
1. Coloque la máquina limpiadora a presión en un área cercana a una suministro de agua exterior capaz de abastecer agua a un volumen mayor de 3.3 galones por minuto en no menos que 20 PSI en el fin de arandela de presión de la manga del jardín.
2. Revise que la manguera de alta presión se encuentre conectada firmemente a la pistola de rociado y a la bomba. Vea *Montaje*.
3. Asegúrese que la unidad esté nivelada.
4. Conecte la manguera de jardín a la entrada del agua. Aprieta con la mano.

AVISO: NO haga funcionar la bomba si no tiene el suministro conectado y abierto.

- El daño a la limpiadora a presión, resultado de la desatención a esta precaución, no será cubierto por la garantía.
5. Abra el agua, apunte con la pistola hacia una dirección segura presione el seguro (botón rojo) y apriete el gatillo para eliminar el aire y las impurezas del sistema de bombeo.
 6. Conecte la extensión de la boquilla a la pistola rociadora. Apriétela con las manos.
7. Seleccione la puntas de rocío de conexión rápida que usted desee e insértela en el extremo de la extensión de la boquilla. Vea *Como Usar las Puntas de Rocío*.



8. Asegúrese de que el control de la válvula de admisión se encuentre en la posición "Rápido" ("Fast") (**A**), que se distingue de un conejo.



IMPORTANTE: Antes de poner en marcha la limpiadora a presión, asegúrese de llevar gafas de protección adecuadas.

⚠ ADVERTENCIA: Riesgo de lesiones oculares.



El agua rociada puede salpicar o propulsar objetos.

- Utilice siempre gafas de protección cuando utilice este equipo o si se encuentra cerca de donde se está utilizando.
- Antes de poner en marcha la limpiadora a presión, asegúrese de llevar gafas de protección adecuadas.
- Utilice SIEMPRE las gafas de seguridad apropiadas.

NOTA: Esta unidad está equipada con un motor ReadyStart™. Los motores ReadyStart™ no requieren cebado ni estrangulamiento.

9. Cuando arranque el motor, colóquese en la posición que se recomienda a continuación. Sujete la manija y hale ligeramente la manija del arranque hasta que sienta cierta resistencia. Después hálela rápidamente.



10. Jale la cuerda de arranque lentamente. NO permita que la cuerda regrese bruscamente en contra del arrancador.

⚠ ADVERTENCIA: El retroceso (repliegue rápido) del cable del arrancador puede producir lesiones. El retroceso impedirá que el usuario suelte el cable a tiempo y tirará de su mano y brazo hacia el motor.



Como resultado, podrían producirse fracturas, contusiones o esguinces.

- NUNCA tire del cable del arrancador sin eliminar previamente la presión de la pistola rociadora.
- Cuando arranque el motor, tire lentamente del cable hasta sentir una resistencia y, a continuación, tire rápidamente de él para evitar su retroceso.
- Después de cada intento de arranque, cuando el motor no consiga arrancar, apunte con la pistola rociadora hacia una dirección segura, pulse el botón rojo y apriete el gatillo para descargar la presión.
- Sujete firmemente la pistola rociadora con ambas manos cuando aplique un rociado a alta presión para evitar lesiones cuando se produzca el retroceso de la pistola.

NOTA: Siempre mantenga la control de válvula de regulación en el "Rápido" ("Fast") posición cuando operar la limpiadora a presión.

⚠ ADVERTENCIA: El chorro de agua a alta presión que



este equipo produce, puede atravesar la piel y los tejidos subcutáneos, provocando lesiones de gravedad que podrían dar lugar a la amputación de un miembro.

La pistola rociadora contiene agua a alta presión incluso con el motor parado y el agua desconectada, que puede causar la herida.

- NO permita en ningún momento que NIÑOS operen la máquina limpiadora a presión.
- Mantenga conectada la manguera a la máquina o a la pistola de rociado cuando el sistema esté presurizado.
- NUNCA apunte la pistola a la gente, animales o plantas.
- NO fije la pistola rociadora en la posición abierta.
- NO abandone la pistola rociadora cuando la máquina esté en funcionamiento.
- NUNCA utilice una pistola rociadora cuyo seguro o protección para el gatillo no esté en perfecto estado de funcionamiento.
- Asegúrese en todo momento de conectar correctamente la pistola rociadora, las boquillas y los accesorios.

⚠ ADVERTENCIA: El contacto con la zona del silenciador puede producir quemaduras graves.



Los gases y el calor de escape pueden inflamar los materiales combustibles y

las estructuras o dañar el depósito de combustible y provocar un incendio.

- NO toque las superficies calientes y evite los gases del escape a alta temperatura.
- Permita que el equipo se enfríe antes de tocarlo.
- Deje un espacio mínimo de 1.5 m (5 pies) alrededor del limpiadora a presión, incluida la parte superior.
- Utilizar el motor en un terreno boscoso, con maleza o cubierto de hierba constituye una infracción al Código de recursos públicos de California, a menos que el sistema de escape esté equipado con una pantalla apagachispas, de acuerdo a la definición de la Sección 4442, que se mantenga en buenas condiciones de funcionamiento. En otros estados o jurisdicciones federales puede haber leyes similares en vigor. Póngase en contacto con el fabricante, el vendedor o el distribuidor del equipo original para obtener una pantalla apagachispas diseñada para el sistema de escape instalado en este motor.
- Las piezas de recambio deben ser las mismas que las piezas originales y estar instaladas en la misma posición.

Cómo Detener su Sistema de Limpieza

1. Suelte el gatillo de la pistola rociadora y deje funcionar el motor al ralentí durante dos minutos.
2. Mueva el acelerador a la posición "Slow" (Lento), y luego a la posición "Stop" (Parada).

3. SIEMPRE fusil de punto en una dirección segura, presione el seguro (botón rojo) y el disparador del fusil del rocío del estrujón para liberar la presión retenida de la pleamar.

IMPORTANTE: La pistola rociadora contiene agua a alta presión incluso con el motor parado y el agua desconectada.

⚠ ADVERTENCIA: El chorro de agua a alta presión que este equipo produce, puede atravesar la piel y los tejidos subcutáneos, provocando lesiones de gravedad que podrían dar lugar a la amputación de un miembro.

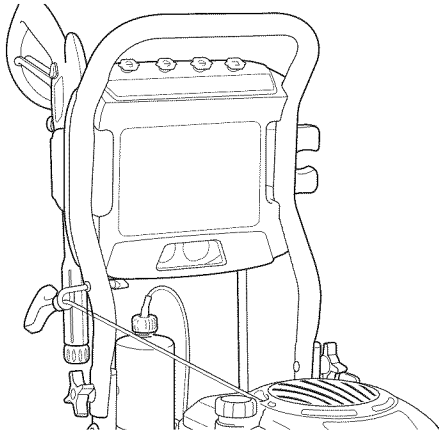
La pistola rociadora contiene agua a alta presión incluso con el motor parado y el agua desconectada, que puede causar la herida.

- Mantenga conectada la manguera a la máquina o a la pistola de rociado cuando el sistema esté presurizado.
- SIEMPRE que pare el motor, apunte con la pistola rociadora hacia una dirección segura, presione el seguro (botón rojo) y apriete el gatillo para descargar la presión y evitar el retroceso.

Cómo usar la bandeja de accesorios

La unidad dispone de una bandeja de accesorios con compartimentos para guardar la pistola rociadora, el prolongador de la punta de rociado y las puntas de rociado de conexión rápida. La parte trasera de la bandeja también incluye una abrazadera de la manguera desmontable para sujetar la manguera de alta presión.

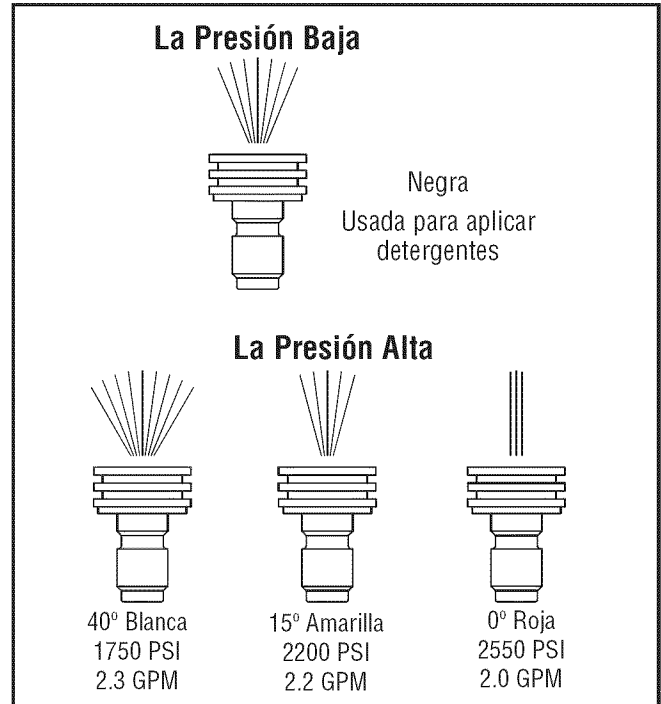
1. Coloque el prolongador de la punta de rociado en el pasador de la parte trasera de la bandeja de accesorios.



2. Coloque la pistola rociadora en el orificio situado a la derecha de la bandeja de accesorios.
3. Inserte las puntas de rociado de colores en los espacios correspondientes de la bandeja de accesorios.
4. Sujete la manguera de alta presión con la abrazadera de la manguera y fije la abrazadera a la parte trasera de la bandeja de accesorios.
5. La parte trasera de la bandeja de accesorios dispone de un gancho para colocar correctamente la máscara de seguridad.

Cómo usar las puntas de rocío

La conexión rápida de la extensión para boquillas le permite usar cuatro puntas de rocío diferentes. Siempre que esté activado el seguro del gatillo de la pistola rociadora, se pueden cambiar las puntas de rociado con la limpiadora a presión en funcionamiento. Las puntas de rocío tienen diferentes patrones de rociado como se ilustra a continuación.



Para cambiar las puntas de rocío:

1. Desplace hacia atrás el anillo del conector rápido y tire de las puntas de rocío. Guarde las puntas de rocío en el bandeja de accesorios.

⚠ ADVERTENCIA: El chorro de agua a alta presión que este equipo produce, puede atravesar la piel y los tejidos subcutáneos, provocando lesiones de gravedad que podrían dar lugar a la amputación de un miembro.

- NUNCA intercambie puntas de rocío sin haber asegurado el cerrojo de seguridad del gatillo.
 - NO tuerza puntas de rocío al rociar.
2. Seleccione la punta de rociado deseada:
 - Para un enjuagado suave (baja presión y mayor caudal), para una limpieza suave de coches/camiones, barcos, RVs, muebles de jardín, cortacéspedes, etc., seleccione la punta de rociado blanca de 40°.
 - Para un enjuagado general (media presión y medio caudal), idóneo para la mayoría de las limpiezas, como revestimientos exteriores, patios de ladrillo, suelos de madera, entradas, aceras, suelos de garaje, etc., seleccione la punta de rociado amarilla de 15°.

- Para un enjuagado de máxima potencia (alta presión y bajo caudal), para superficies rebeldes o de difícil acceso, como superficies de plantas altas, eliminación de pintura, manchas de aceite, eliminación de óxido u otras sustancias difíciles (alquitrán, resina, grasa, cera, etc.), seleccione la punta de rociado roja de 0°.
 - Para aplicar productos detergentes o limpiadores específicos que ayuden a descomponer la suciedad rebelde en distintas superficies, seleccione la punta de rociado de detergente negra.
3. Desplace hacia atrás el anillo, inserte la nueva punta de rociado y suelte el anillo. Tire de la punta de rociado para comprobar que está bien montada.

Uso inclina

- Para una limpieza más efectiva, mantenga la boquilla de rociado de 20 a 61 cm (8 a 24 pulgadas) de la superficie de limpieza.
- Si coloca la boquilla de rociado demasiado cerca podría dañar la superficie, especialmente cuando esté usando el modo de alta presión.
- NO coloque la boquilla a menos de 15 cm (6 pulgadas) cuando esté limpiando llantas.

Sistema de inyección "2 en 1"

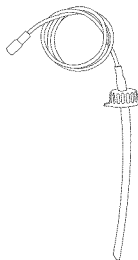
▲ PRECAUCIÓN: Los productos químicos pueden provocar lesiones de gravedad y/o daños materiales.

- NUNCA utilice líquidos cáusticos con la limpiadora a presión.
- Use EXCLUSIVAMENTE detergentes o jabones especiales para la limpiadora a presión. Siga todas las instrucciones del fabricante.

Limpieza y aplicación de detergente con el sistema de inyección Project Pro® PerfectMix™

Siga estos pasos para aplicar detergente sin diluir con el sistema de inyección azul PerfectMix™:

1. Revise el uso de las puntas de rocío.
2. Conecte la manguera de inyección PerfectMix™ a la bomba y a la botella de concentrado PerfectMix™.



AVISO: El contacto con el silenciador a alta temperatura puede producir daños en el tubo de inyección de detergente.

- Cuando coloque el filtro en la botella del detergente, coloque el tubo de manera que no entre en contacto accidentalmente con el silenciador caliente.

3. Asegúrese de que las puntas de rocío de detergente negra está montada.

NOTA: NO se puede aplicar detergente con las puntas de rocío de alta presión (Blanca, Amarilla o Roja).

4. Asegúrese de que la manguera del jardín está conectada a la entrada de agua. Compruebe que la manguera de alta presión está conectada a la pistola rociadora y a la bomba. Abra la alimentación de agua.

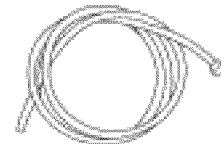
AVISO: Usted deberá conectar todas las mangueras antes de darle arranque al motor.

- Arrancar el motor sin tener todas las mangueras conectadas y sin el suministro de agua ABIERTO (ON) causará el daño de la bomba.
 - El daño a la limpiadora a presión, resultado de la desatención a esta precaución, no será cubierto por la garantía.
5. Marche el motor siguiendo las instrucciones de la sección *Cómo poner en funcionamiento la limpiadora a presión.*
 6. Aplique el detergente sobre la superficie seca, comenzando en la parte inferior del área y dirigiéndose hacia arriba, utilizando movimientos largos, parejos y superpuestos.
 7. Permita que el detergente "penetre" de 3 a 5 minutos antes de enjuagar. Vuelva a aplicarlo cuando sea necesario para evitar que la superficie se seque. NO permita que el detergente se seque. Si permite que el detergente se seque, la superficie podría quedar con manchas.

Limpieza y aplicación de detergente con el sistema de inyección estándar transparente

Siga estos pasos para aplicar detergente diluido con el tubo de inyección estándar transparente:

1. Revise el uso de las puntas de rocío.
2. Conecte la manguera de inyección transparente a la bomba.
3. Prepare una solución de detergente adecuada para el trabajo.
4. Introduzca el extremo del filtro pequeño del tubo de inyección transparente en el contenedor de la solución diluida, como se ha descrito anteriormente.



NOTA: Asegúrese de que el filtro esté totalmente sumergido en líquido mientras se aplica la solución.

AVISO: El contacto con el silenciador a alta temperatura puede producir daños en el tubo de inyección de detergente.

- Cuando coloque el filtro en la botella del detergente, coloque el tubo de manera que no entre en contacto accidentalmente con el silenciador caliente.

5. Asegúrese de que las puntas de rocío de detergente negra está montada.

NOTA: NO se puede aplicar detergente con las puntas de rocío de alta presión (Blanca, Amarilla o Roja).

6. Asegúrese de que la manguera del jardín está conectada a la entrada de agua. Compruebe que la manguera de alta presión está conectada a la pistola rociadora y a la bomba. Abra la alimentación de agua.

AVISO: Usted deberá conectar todas las mangueras antes de darle arranque al motor.

- Arrancar el motor sin tener todas las mangueras conectadas y sin el suministro de agua ABIERTO (ON) causará el daño de la bomba.
- El daño a la limpiadora a presión, resultado de la desatención a esta precaución, no será cubierto por la garantía.

7. Arranque el motor conforme a las instrucciones de *Puesta en funcionamiento de la limpiadora a presión*.
8. Aplique el detergente sobre la superficie seca, comenzando en la parte inferior del área y dirigiéndose hacia arriba, utilizando movimientos largos, parejos y superpuestos.
9. Permita que el detergente "penetre" de 3 a 5 minutos antes de enjuagar. Vuelva a aplicarlo cuando sea necesario para evitar que la superficie se seque. NO permita que el detergente se seque. Si permite que el detergente se seque, la superficie podría quedar con manchas.

IMPORTANTE: Usted deberá lavar el sistema de inyección de químicos después de cada uso colocando el filtro en un balde de agua limpia y haciendo funcionar la máquina limpiadora a presión de 1 a 2 minutos en el modo de baja presión.

Enjuague de la Máquina Limpiadora a Presión

Después de haber aplicado el detergente, refriega la superficie y enjuagela de la siguiente manera:

1. Retire las puntas de rocío de detergente negra del prolongador de la boquilla.
2. Seleccione e instale las puntas de rocío de alta presión deseada conforme a las instrucciones de la sección *Cómo usar el puntas de rocío*.
3. Mantenga la pistola de rociado a una distancia segura del área que planea rociar.

▲ ADVERTENCIA: El retroceso de la pistola rociadora puede provocar caídas.



- Utilice la limpiadora a presión desde una superficie estable.
- Extrema las precauciones si necesita utilizar la limpiadora a presión desde una escalera, un andamio u otro lugar similar.
- Sujete firmemente la pistola rociadora con ambas manos cuando aplique un rociado a alta presión para evitar lesiones cuando se produzca el retroceso de la pistola.

4. Aplique un rociado de alta presión a una pequeña zona y luego compruebe si se ha producido algún tipo de daño. Si no aprecia daños, continúe en el paso 5.
5. Comience en la parte superior del área que va a enjuagar, dirigiéndose hacia abajo con los mismos movimientos superpuestos que utilizó para la limpieza.

Limpieza del tubo de inyección de detergente

Si usó el tubo, debe lavarlo con agua limpia antes de parar el motor.

1. Coloque el filtro y la inyección de detergente en un balde lleno de agua limpia.
2. Quite las puntas de rocío de alta presión del prolongador de la boquilla.
3. Seleccione e instale las puntas de rocío de detergente negra siguiendo las instrucciones de la sección *Cómo Usar el puntas de rocío*.
4. Lave de 1 a 2 minutos.
5. Pare el motor siguiendo las instrucciones de la sección *Cómo detener su limpiadora a presión* y cierre la entrada de agua.
6. SIEMPRE apunte la pistola rociadora hacia una dirección segura, oprima el botón rojo y apriete el gatillo de la pistola rociadora para liberar la presión.

IMPORTANTE: La pistola rociadora contiene agua a alta presión incluso cuando el motor está apagado y el tubo de agua está desconectado.

▲ ADVERTENCIA: El chorro de agua a alta presión que este equipo produce, puede atravesar la piel y los tejidos subcutáneos, provocando lesiones de gravedad que podrían dar lugar a la amputación de un miembro.



La pistola rociadora contiene agua a alta presión incluso con el motor parado y el agua desconectada, que puede causar la herida.

- Mantenga conectada la manguera a la máquina o a la pistola de rociado cuando el sistema esté presurizado.
- SIEMPRE que pare el motor, apunte con la pistola rociadora hacia una dirección segura, presione el seguro (botón rojo) y apriete el gatillo para descargar la presión y evitar el retroceso.

Sistema de Enfriamiento Automático (Alivio Térmico)

El agua que circula dentro de la bomba puede alcanzar temperaturas entre los 125°-155°F si hace funcionar el motor de su máquina limpiadora a presión de 3 a 5 minutos sin oprimir el gatillo de la pistola de rociado. El sistema de enfriamiento automático se activa a esta temperatura y enfría la bomba descargando agua caliente en el piso, evitando así el daño interno de la bomba.

ESPECIFICACIONES

INFORMACIÓN TÉCNICA SOBRE EL MOTOR

El motor es de uno cilindros, de L-cabeza, refrigerado por aire y de baja emisión.

En el Estado de California, los motores de la serie 120000 han obtenido la certificación del California Air Resources Board (Consejo de recursos de aire de California) de cumplimiento de la normativa sobre emisiones durante 125 horas. Esta certificación no supone para el comprador, el propietario o el usuario ninguna garantía adicional en lo relativo al rendimiento y a la vida útil del motor. Las garantías del motor atañen exclusivamente al producto y a las emisiones que se declaran en este manual.

Potencia Nominal

El valor de potencia bruta de cada modelo de motor de gasolina se indica en la etiqueta conforme a los requisitos del código J1940 (Procedimiento de valoración de potencia y par de pequeños motores) de la SAE (Society of Automotive Engineers, Sociedad de ingenieros de automoción). Los valores nominales se han obtenido y corregido conforme al código SAE J1995 (Revisión 2002-05). Los valores de par se obtienen a 3060 rpm, y los valores de potencia, a 3600 rpm. La potencia bruta real del motor será inferior y dependerá, entre otros factores, de las condiciones ambientales de uso y de las variaciones entre distintos motores del mismo modelo. Dada la amplia variedad de productos que utilizan nuestros motores y la multitud de factores ambientales que pueden afectar a su funcionamiento, es posible que el motor de gasolina no desarrolle toda su potencia bruta nominal en determinados equipos (potencia "en la aplicación" o neta real). Esta diferencia se debe, entre otros, a los siguientes factores: accesorios (filtro de aire, escape, carga, refrigeración, carburador, bomba de combustible, etc.), limitaciones de la aplicación, condiciones ambientales de uso (temperatura, humedad, altitud) y variaciones entre distintos motores de un mismo modelo. Briggs & Stratton podrá sustituir el motor de esta serie por otro de mayor potencia nominal en caso de limitaciones de fabricación o capacidad.

Esta limpiadora a presión está clasificada conforme a la norma PW101 (comprobación y clasificación de rendimiento de limpiadoras a presión) de la Asociación de fabricantes de bombas a presión (Pressure Washer Manufacture Association, PWMA).

ESPECIFICACIONES DEL PRODUCTO

Especificaciones de la Máquina Limpiadora a Presión

Presión de salida máxima	2,550 PSI
Caudal máximo	2.3 GPM
Mezcla de químicos	Use según instrucciones
Temperatura del suministro de agua	Que no exceda los 100°F

Especificaciones del Motor

Diámetro de camisa	.68 mm (2,69 pulgadas)
Carrera	.52 mm (2,04 pulgadas)
Desplazamiento	.190 cc (11,57 pulgadas)
Bujía	
Tipo:	Briggs & Stratton 802592 o 5095
Calibrar Separación a:	.030 pulgadas (0.76 mm)
Entrehierro del inducido:	.0,15-0,25 mm (0,006-0,010 pulgadas)
Holgura de la válvula con muelles de válvula instalados y pistón de 6 mm (0,25 pulgadas) pasado el punto muerto superior (comprobar con el motor en frío)	
Admisión	0,13-0,18 mm (0,005-0,007 pulgadas)
Escape	0,18-0,23 mm (0,007-0,009 pulgadas)
Capacidad de Gasolina	1.6 Cuartos
Capacidad de Aceite	.0.5 litros (18 onzas)

NOTA: Para que el rendimiento sea óptimo, la carga del motor no debe superar el 85% de su potencia nominal. La potencia del motor se reducirá un 3,5% por cada 300 metros (1.000 pies) de altitud y un 1% por cada 5,6 °C (10 °F) a partir de 25 °C (77 °C). Funcionará satisfactoriamente en un ángulo de hasta 15°.

MANTENIMIENTO

RECOMENDACIONES GENERALES

Plan de mantenimiento

Siga los intervalos de horas o de calendario, los que sucedan antes. Si opera en condiciones adversas (señaladas más abajo) es necesario un mantenimiento más frecuente.

Primeras Cinco (5) Horas
<ul style="list-style-type: none">• Cambie el aceite del motor
Cada 8 horas o diario
<ul style="list-style-type: none">• Revise/limpie el filtro de la entrada de agua¹• Revise la manguera de alta presión• Revise la manguera del detergente• Revise la pistola aspersora y verifique que no haya fugas en el ensamblaje• Limpie los residuos• Compruebe el nivel de aceite
Cada 25 horas o una vez al año
<ul style="list-style-type: none">• Mantenimiento del filtro de aire²
Cada 50 horas o una vez al año
<ul style="list-style-type: none">• Cambie el aceite del motor²• Inspeccione el silenciador y la pantalla apagachispas
Cada 100 horas o una vez al año
<ul style="list-style-type: none">• Servicio a la bujía• Limpie el sistema de refrigeración²

¹ Limpiar si está obstruido. Reemplazar si está perforado o roto.

² Servicio más a menudo bajo condiciones de suciedad o polvo.

Recomendaciones generales

El mantenimiento periódico mejorará el rendimiento y prolongará la vida útil del limpiadora a presión. Si necesita asistencia, consulte con un distribuidor de Sears o con otro distribuidor cualificado.

La garantía de la máquina limpiadora a presión NO cubre los elementos que han sido sujetos a abuso o negligencia por parte del operador. Para hacer válida la cobertura total de la garantía, el operador deberá mantener la lavadora de presión tal y como se indica en el manual, incluyendo su adecuado almacenamiento, como se describe en la sección *Almacenamiento en el Invierno y Almacenamiento prolongado*.

NOTA: Una vez al año, usted deberá limpiar o reemplazar la bujía y el filtro de aire. Una bujía nueva y un filtro de aire limpio garantizan una mezcla de combustible-aire adecuada y le ayuda a su motor a funcionar mejor y a tener una vida útil más prolongada.

Bomba de Aceite

NO realice ninguna operación de mantenimiento con el aceite de la bomba. La bomba se suministra prelubricada y sellada en fábrica, y no requiere lubricación adicional durante su vida útil.

Control de Emisiones

Cualquier establecimiento o individuo especializado en la reparación de motores que no sean de automoción puede encargarse del mantenimiento, la sustitución y la reparación de los dispositivos y sistemas de control de emisiones. No obstante, para realizar la revisión gratuita de control de emisiones, deberá acudir a un distribuidor autorizado por el fabricante. Véase *Garantía de emisiones*.

Antes de Cada Uso

1. Revise el nivel de aceite del motor.
2. Limpie los residuos.
3. Revise si existen daños en el colador de la entrada de agua.
4. Revise si existen daños en la manguera del detergente.
5. Revise si existen fugas en el conjunto de la extensión para boquillas y pistola.
6. Elimine el aire y los contaminantes de la bomba.

MANTENIMIENTO DE LA MAQUINA LIMPIADORA A PRESIÓN

Limpie los Residuos

Limpie a diario, o antes de cada uso, los residuos acumulados en el limpiadora a presión. Mantenga limpias las conexiones, los muelles y los mandos. Limpie todo resto de combustible de la zona que rodea al silenciador y de detrás del mismo. Inspeccione las ranuras para aire de enfriamiento y la apertura del limpiadora a presión. Estas aperturas deberán mantenerse limpias y despejadas.

Mantenga limpios los componentes del limpiadora a presión para reducir el riesgo de sobrecalentamiento e ignición de los residuos acumulados.

- Utilice un trapo húmedo para limpiar las superficies exteriores.

AVISO: El tratamiento inadecuado del limpiadora a presión puede dañarlo y acortar su vida productiva.

- NO inserte cualquier objeto a través de las ranuras de enfriamiento.
- Puede usar un cepillo de cerdas suaves para retirar la suciedad endurecida, aceite, etc.
- Puede usar una máquina aspiradora para eliminar suciedad y residuos sueltos.

Revise y Limpie el Colador de Entrada

Examine el colador de entrada de la manguera de jardín. Límpielo si está tapado o reemplacelo si está roto.

Revise la Manguera de Alta Presión

Las mangueras de alta presión pueden desarrollar fugas debido al desgaste, dobleces o abuso. Revise la manguera antes de cada uso. Revise si existen cortes, fugas, abrasiones, levantamiento de la cubierta, daño o movimiento de los acoplamientos. Si existe cualquiera de estas condiciones, reemplace la manguera inmediatamente.

⚠ ADVERTENCIA: El chorro de agua a alta presión que este equipo produce, puede atravesar la piel y los tejidos subcutáneos, provocando lesiones de gravedad que podrían dar lugar a la amputación de un miembro.

- NUNCA repare la manguera de alta presión. Reemplacela.
- Reemplacela con una manguera que cumpla con la capacidad mínima de presión de su limpiadora a presión.

Revise la Pistola y la Extensión para Boquillas

Examinez le branchement du boyau au pistolet à pulvérisation et assurez-vous que le branchement est solide. Faites l'essai de la détente en appuyant sur le bouton rouge et en vous assurant que la détente revient à sa position initiale lorsque vous la relâchez. Vous ne devriez pas être en mesure d'actionner la détente sans avoir appuyé sur le bouton rouge. Remplacez le pistolet à pulvérisation immédiatement s'il échoue un de ces essais.

Mantenimiento de la Puntas de Rocío

Si siente una sensación pulsante al momento de apretar el gatillo de la pistola rociadora, puede que sea causada por la presión excesiva en la bomba. La causa principal de la presión excesiva en la bomba es cuando la punta de rocío se encuentra atascada o tapada con materiales extraños, tales como tierra, etc. Para corregir el problema, limpie inmediatamente la punta de rocío siga las instrucciones siguientes:

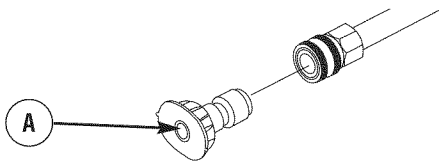
1. Apague el motor y apague el suministro de agua.
2. SIEMPRE que pare el motor, apunte con la pistola rociadora hacia una dirección segura, presione el seguro (botón rojo) y apriete el gatillo para descargar la presión y evitar el retroceso.

⚠ ADVERTENCIA: El chorro de agua a alta presión que este equipo produce, puede atravesar la piel y los tejidos subcutáneos, provocando lesiones de gravedad que podrían dar lugar a la amputación de un miembro.

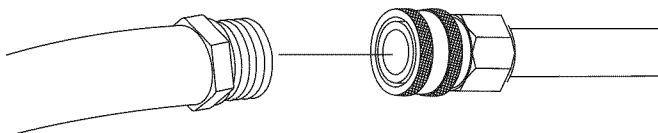
La pistola rociadora contiene agua a alta presión incluso con el motor parado y el agua desconectada, que puede causar la herida.

- Mantenga conectada la manguera a la máquina o a la pistola de rociado cuando el sistema esté presurizado.
- SIEMPRE que pare el motor, apunte con la pistola rociadora hacia una dirección segura, presione el seguro (botón rojo) y apriete el gatillo para descargar la presión y evitar el retroceso.

3. Remueva la punta de rocío del extremo de la extensión de la boquilla.
4. Use el pequeño sujetapapeles para liberar cualquier material extraño que esté tapando la punta de rocío (A).



5. Retire la extensión para boquillas de la pistola.
6. Usando una manguera de jardín, remueva cualquier desecho adicional, poniendo agua en la extensión de la boquilla. Haga ésto de 30 a 60 segundos.



7. Instale de nuevo la punta de rocío en la extensión.
8. Conecte de nuevo la extensión de la boquilla a la pistola rociadora.
9. Asegúrese de que la manguera del jardín está conectada a la entrada de agua. Compruebe que la manguera de alta presión está conectada a la pistola rociadora y a la bomba. Abra la alimentación de agua.

10. Ponga en marcha el motor siguiendo las instrucciones de la sección *Cómo poner en funcionamiento la limpiadora a presión*.
11. Pruebe el limpiadora a presión al hacer funcionar con cada una de las puntas de rocío de conexiones rápidas que viene con el limpiadora a presión.

Mantenimiento de los Anillos 'O'

Compre una O-Juego de Reparación de Anillo en sus Sears locales o llamando **1-800-4-MY-HOME (469-4663)** o en línea en www.sears.com. No se incluye con la arandela de la presión. Este juego incluye los anillos del reemplazo O, arandela de caucho y filtro de cala de agua. Refiérase a la hoja de la instrucción proporcionada en el juego para atender a su unidad/los anillos de s O.

⚠ ADVERTENCIA: El chorro de agua a alta presión que este equipo produce, puede atravesar la piel y los tejidos subcutáneos, provocando lesiones de gravedad que podrían dar lugar a la amputación de un miembro.

- NUNCA utilice ningún tipo de sellador para reparar una fuga en una conexión. Sustituya la junta tórica o la junta.

MANTENIMIENTO DEL MOTOR

⚠ ADVERTENCIA: Chispear involuntario puede tener como resultado el fuego o el golpe eléctrico.

CUANDO AJUSTE O HAGA REPARACIONES A SU MÁQUINA LIMPIADORA A PRESIÓN

- Siempre desconecte el alambre de la bujía y colóquelo donde no pueda entrar en contacto con la bujía.

CUANDO PRUEBE LA BUJÍA DEL MOTOR

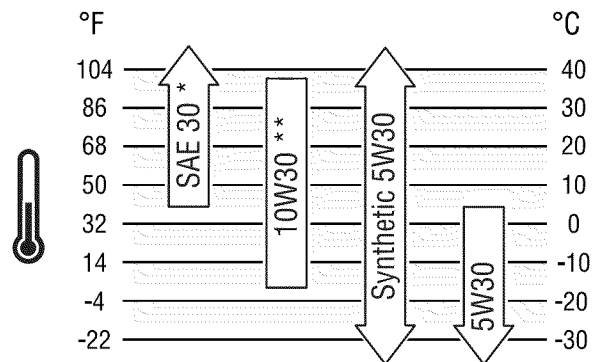
- Utilice un comprobador de bujías homologado.
- NO compruebe la chispa sin la bujía instalada.

Aceite

Recomendaciones sobre el aceite

Para obtener el mejor rendimiento, recomendamos utilizar aceites certificados con garantía Briggs & Stratton. También se pueden utilizar otros aceites detergentes de alta calidad con clasificación de servicio SF, SG, SH, SJ o superior. NO utilice aditivos especiales.

Las temperaturas exteriores determinan la viscosidad adecuada del aceite para el motor. Utilice el cuadro para seleccionar la mejor viscosidad para el intervalo de temperatura exterior previsto.



* Por debajo de 4 °C (40 °F), el uso de aceite SAE 30 provocará dificultades de arranque.

** Por encima de 27 °C (80 °F) el uso de aceite 10W30 puede aumentar el consumo de aceite. Compruebe el nivel de aceite con mayor frecuencia.

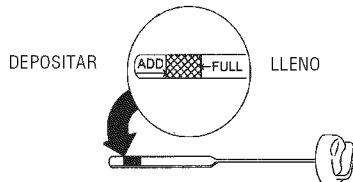


NOTA: Todo aceite sintético que cumpla las especificaciones ILSAC GF-2, con marca de certificación API y con símbolo de servicio API (se muestra a la izquierda) con "SJ/CF ENERGY CONSERVING" o superior es un aceite aceptable a todas las temperaturas. El uso de aceite sintético no altera los intervalos de cambio de aceite indicados.

Comprobación del nivel de aceite

Compruebe el nivel de aceite antes de cada uso o cada 8 horas de funcionamiento, como mínimo. Rellene si es necesario.

1. Coloque el limpiadora a presión sobre una superficie nivelada.
2. Retire la varilla de medición y limpie la varilla de medición. Instale el varilla de medición, apriete firmemente. Quite y verifique nivel del aceite.
3. Compruebe que el aceite hasta la marca "Full" de la varilla de medición. Instale el varilla de medición, apriete firmemente.



Adición de aceite del motor

1. Coloque el limpiadora a presión sobre una superficie nivelada.
2. Compruebe el nivel de aceite tal como se indica en la sección *Comprobación del nivel de aceite*.
3. Si es necesario, vierta lentamente aceite por el orificio de llenado hasta la marca "Full" de la varilla de medición. NO llene excesivamente.

AVISO: El llenado de aceite en exceso puede impedir el arranque del motor o provocar dificultades de arranque.

- NO llene en exceso.
- Si el nivel de aceite está por encima de la marca FULL (LLENO) de la varilla, vacíe aceite para reducir el nivel hasta la marca FULL (LLENO) de la varilla.

4. Instale el varilla de medición, apriete firmemente.

Cambio de Aceite del Motor

Si está utilizando su generador bajo condiciones de extrema suciedad o polvo, o en un clima demasiado caliente, haga el cambio de aceite más frecuentemente.

▲ PRECAUCIÓN: Evite el contacto prolongado o repetido de piel con aceite usado de motor.

- El aceite usado del motor ha sido mostrado al cancer de la piel de la causa en ciertos animales del laboratorio.
- Completamente lavado expuso áreas con el jabón y el agua.



MANTENER FUERA DEL ALCANCE DE LOS NIÑOS. NO CONTAMINE. CONSERVE LOS RECURSOS. DEPOSITE EL ACEITE USADO EN UN PUNTO DE RECOGIDA.

Cambie el aceite cuando el motor siga estando caliente después de haber funcionado:

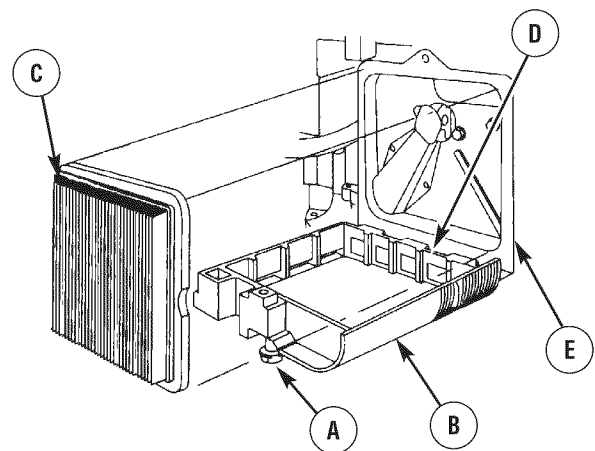
1. Drene el tanque del combustible haciendo funcionar la máquina limpiadora a presión hasta que el tanque esté vacío.
2. Desconecte alambre de bujía y lo mantiene lejos del bujía.
3. Limpie el área alrededor de la abertura para llenado de aceite, retire la varilla de medición. Limpie la varilla de medición.
4. Incline su máquina limpiadora a presión para drenar el aceite a través del orificio de llenado en un recipiente adecuado asegurándose de inclinar la unidad hacia el lado opuesto de la bujía. Cuando la caja del cigüeñal esté vacía, vuelva a colocar la máquina limpiadora a presión en posición vertical.
5. Vierta lentamente unos 0,5 litros (18 onzas) de aceite por el orificio. Deposite el aceite recomendado hasta la marca "Full" de la varilla de medición.
6. Limpie la varilla de medición cada vez nivel del aceite se verifica. NO añada aceite en exceso.
7. Instale la varilla de medición, apriete firmemente.
8. Limpie los residuos de aceite.
9. Conecte de nuevo alambre de bujía al bujía.

Servicio del Depurador de Aire

Su motor no funcionará adecuadamente y puede dañarse si usted lo hace funcionar con un depurador de aire sucio. Suministre servicio más frecuentemente si la unidad funciona bajo condiciones de mucha suciedad o polvo. Los repuestos se encuentran disponibles en su centro de servicio local Sears.

Para dar servicio al filtro de aire, siga los pasos que se detallan a continuación:

1. Afloje el tornillo (A) y quite la cubierta (B).



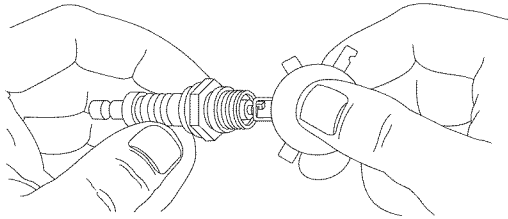
2. Remueva cuidadosamente el cartucho (C).
3. Para limpiar el cartucho, golpee ligeramente su costado de papel plegado sobre una superficie firme.
4. Reinstale el juego de cartucho nuevo o limpio debajo de la cubierta.
5. Inserte las lengüetas (D) de la cubierta en las ranuras que se encuentran en el fondo de la base (E).
6. Coloque la cubierta en su lugar y apriete el tornillo firmemente a la base.

NOTA: Usted puede comprar los elementos del filtro de aire nuevos llamando al **1-800-4-MY-HOME (469-4663)**.

Remplace la Bujía

Cambie la bujía ayudará a su motor a arrancar más fácilmente y funcionar mejor.

1. Limpie el área alrededor de la bujía y retírela.
2. Retire y revise la bujía.
3. Cambie la bujía si los electrodos están picados o quemados o si la porcelana está agrietada. Utilice la bujía de repuesto recomendada. Consulte *Especificaciones*.
4. Compruebe la separación del electrodo con un calibrador de alambre y ajuste el espacio de la bujía a la medida recomendada si fuera necesario (véase *Especificaciones*).



5. Instale la bujía y apriétela firmemente.

NOTA: Puede adquirir nuevas bujías al número telefónico **1-800-4-MY-HOME (469-4663)**.

Inspeccione el silenciador y la pantalla apagachispas

Inspeccione que el silenciador no presente fisuras, corrosión u otros daños. Desmonte la pantalla apagachispas, si cuenta con una, y verifique que no presente daños ni obstrucción por carbón. En caso de que se necesiten piezas de recambio, asegúrese de usar solamente piezas de recambio originales para el equipo.

NOTA: Para obtener el número de parte llame al **1-800-4-MY-HOME (469-4663)**.

▲ ADVERTENCIA: El contacto con la zona del silenciador puede producir quemaduras graves. Los gases y el calor de escape pueden inflamar los materiales combustibles y las estructuras o dañar el depósito de combustible y provocar un incendio.

- NO toque las superficies calientes y evite los gases del escape a alta temperatura.
- Permita que el equipo se enfríe antes de tocarlo.
- Deje un espacio mínimo de 1.5 m (5 pies) alrededor del limpiador a presión, incluida la parte superior.
- Utilizar el motor en un terreno boscoso, con maleza o cubierto de hierba constituye una infracción al Código de recursos públicos de California, a menos que el sistema de escape esté equipado con una pantalla apagachispas, de acuerdo a la definición de la Sección 4442, que se mantenga en buenas condiciones de funcionamiento. En otros estados o jurisdicciones federales puede haber leyes similares en vigor. Póngase en contacto con el fabricante, el vendedor o el distribuidor del equipo original para obtener una pantalla apagachispas diseñada para el sistema de escape instalado en este motor.
- Las piezas de recambio deben ser las mismas que las piezas originales y estar instaladas en la misma posición.

Sistema de Refrigeración de Aire

Con el tiempo, se pueden acumular residuos en las aletas de refrigeración del cilindro y pasar inadvertidos mientras no se desmonte parcialmente el motor. Recomendamos que encargue la limpieza del sistema de refrigeración a un distribuidor autorizado de servicio Sears siguiendo los intervalos recomendados (consulte la sección *Calendario de Mantenimiento*). Es igualmente importante que no se acumulen residuos en el motor. Consulte la sección *Limpie los Residuos*.

DESPUES DE CADA USO

No deberá haber agua en la unidad por largos períodos de tiempo. Los sedimentos de minerales se pueden depositar en partes de la bomba y "congelar" su funcionamiento. Lleve a cabo estos procedimientos después de cada uso:

1. Pare el motor, cierre la alimentación de agua, apunte con la pistola rociadora hacia una dirección segura, pulse el botón rojo y apriete el gatillo para descargar la presión. Deje enfriar el motor.

▲ ADVERTENCIA: El chorro de agua a alta presión que este equipo produce, puede atravesar la piel y los tejidos subcutáneos, provocando lesiones de gravedad que podrían dar lugar a la amputación de un miembro.

La pistola rociadora contiene agua a alta presión incluso con el motor parado y el agua desconectada, que puede causar la herida.

- Mantenga conectada la manguera a la máquina o a la pistola de rociado cuando el sistema esté presurizado.
- SIEMPRE que pare el motor, apunte con la pistola rociadora hacia una dirección segura, presione el seguro (botón rojo) y apriete el gatillo para descargar la presión y evitar el retroceso.

2. Desconecte manga del fusil del rocío y salida alta de presión en la bomba. Desagüe agua de la manga, del fusil, y de la extensión de boquilla. Use un harapo para quitar la manga.
3. Saque todos los líquidos de la bomba halando la manija de retroceso aproximadamente 6 veces. Esto deberá evacuar la mayoría del líquido de la bomba.
4. Enrolle la manguera y cuélguela del gancho situado en el bandeja de accesorios.
5. Almacene la unidad en una área limpia y seca.
6. Si planea almacenar la unidad por más de 30 días, vea la sección *Almacenamiento Prolongado* en próxima página.

▲ ADVERTENCIA: La gasolina y sus vapores son extremadamente inflamables y explosivos.

El fuego o una explosión pueden causar quemaduras severas e inclusive la muerte.

CUANDO ALMACENE O GUARDE EL EQUIPO CON COMBUSTIBLE EN EL TANQUE

- Almacene alejado de calderas, estufas, calentadores de agua, secadoras de ropa u otros aparatos electrodomésticos que posean pilotos u otras fuentes de ignición, porque ellos pueden encender los vapores de la combustible.

ALMACENAMIENTO

ALMACENAMIENTO PARA INVIERNO

AVISO: Usted deberá proteger su unidad de las temperaturas de congelamiento.

- Si no lo hace, dañará permanentemente la bomba y la unidad no podrá funcionar.
- La garantía no cubre el daño de la unidad ocasionado por congelamiento.

Para proteger la unidad de las temperaturas de congelamiento:

1. Siga los pasos 1-4 en la sección previa *Después de Cada Uso*.
2. Utilice un protector de bomba, disponible en Sears con el número de catálogo 6039 para cuidar la bomba. Aquél protege a la unidad contra el congelamiento y lubrica tanto los pistones como los empaques.
3. Si el protector de bomba no está disponible, conecte un tramo de 3 pies de manguera de jardín a la entrada de agua. Vierta anticongelante RV (anticongelante sin alcohol) en la manguera. Jale la manija de arranque dos veces. Desconecte después la manguera de 3 pies.
4. Almacene la unidad en una área limpia y seca.

ALMACENAMIENTO PROLONGADO

Si usted no planea usar la máquina limpiadora a presión por más de 30 días, deberá preparar el motor para un almacenamiento prolongado.

Es importante evitar la formación de depósitos de goma en las partes esenciales del sistema del combustible tales como carburador, filtro del combustible, manguera o tanque del combustible durante el almacenamiento. También, la experiencia indica que los combustibles con mezclas de alcohol (llamados gasohol, etanol o metanol) pueden atraer la humedad, lo que lleva a la separación y formación de ácidos durante el almacenamiento. La gasolina ácida puede dañar el sistema del combustible de un motor durante el almacenamiento.

Proteja el Sistema de Combustible

Aditivo para Combustible:

El combustible puede estar pasado 30 días después de su almacenamiento. El combustible pasado provoca la formación de residuos ácidos y de carbonilla en el circuito de combustible y en los componentes básicos del carburador. Para mantener el combustible en buen estado, utilice el estabilizador de combustible FRESH START® de Briggs & Stratton en cualquiera de sus variantes: líquido o cartucho concentrado con goteo.

Si se añade un estabilizador de combustible conforme a las instrucciones, no será necesario vaciar el motor de combustible. Haga funcionar el motor durante dos minutos para que el estabilizador circule por todo el circuito de combustible. El motor y el combustible se pueden almacenar hasta 24 meses.

Si no se ha añadido un estabilizador de combustible a la gasolina, deberá vaciar completamente el motor utilizando un contenedor homologado. Deje funcionar el motor hasta que se agote el combustible. Se recomienda utilizar un estabilizador de combustible en el contenedor de almacenamiento para mantener la gasolina en buen estado.

Cambio de aceite

Con el motor todavía caliente, drene el aceite de la caja del cigüeñal. Vuelva a llenarlo con el grado de aceite recomendado. Vea *Cambio de Aceite del Motor* en la sección *Mantenimiento del Motor*.

Protección de la Bomba

Para proteger la bomba frente a los daños que causan los depósitos minerales o la congelación, use PumpSaver, número de catálogo 6039, para cuidar la bomba. Esto evita los daños derivados de la congelación y lubrica los pistones y las juntas.

NOTA: El PumpSaver están disponible sólo como un accesorio opcional. NO es incluido con la arandela de la presión. Avise el más cercano servicio autorizado central para comprar PumpSaver.

AVISO: Usted deberá proteger su unidad de las temperaturas de congelamiento.

- Si no lo hace, dañará permanentemente la bomba y la unidad no podrá funcionar.
- La garantía no cubre el daño de la unidad ocasionado por congelamiento.

Al uso el PumpSaver, cerciórese la arandela de la presión se apaga y desconecta del agua del suministro. Lea y siga todas instrucciones y las advertencias dadas en el contenedor de PumpSaver.

Otras sugerencias para el almacenamiento

1. NO guarde combustible de una temporada a otra a menos que lo haya tratado como se indica en la sección *Aditivo para combustible*.
2. Reemplace la caneca de gasolina si comienza a oxidarse. El óxido y/o la suciedad en la gasolina le causará problemas.
3. Cubra su unidad con una cubierta de protección adecuada que no retenga humedad.

▲ ADVERTENCIA: Las cubiertas para almacenamiento pueden ser inflamables.



- NO coloque una cubierta encima de un limpiadora a presión caliente.
- Deje que la unidad se enfríe lo suficientemente antes de que le coloque la cubierta.

4. Almacene la unidad en un área limpia y seca.

REPARACION DE DAÑOS

Problema	Causa	Solución
<p>La bomba presenta los siguientes problemas: no produce presión, produce una presión errada, traqueteo, pérdida de presión, bajo volumen de agua.</p>	<ol style="list-style-type: none"> 1. Está usando la puntas de rocío de baja presión (negra). 2. La entrada de agua está bloqueada. 3. Suministro de agua inadecuado. 4. La manguera de entrada está doblada o presenta fugas. 5. El colador de la manguera de entrada está tapado. 6. El suministro de agua está por encima de los 100°F. 7. La manguera de alta presión está bloqueada o presenta fugas. 8. La pistola presenta fugas. 9. La puntas de rocío está obstruida. 10. Bomba defectuosa. 	<ol style="list-style-type: none"> 1. Cambie la puntas de rocío a una de las dos puntas de rocío de alta presión. 2. Limpie la entrada. 3. Proporcione flujo de agua adecuado. 4. Estire la manguera de entrada, coloque un parche en la fuga. 5. Revise y limpie el colador de la manguera de entrada. 6. Proporcione suministro de agua más fría. 7. Retire las obstrucciones de la manguera de salida. 8. Reemplace la pistola. 9. Limpie la puntas de rocío. 10. Póngase en contacto con el centro de servicio Sears.
<p>El detergente no se mezcla con el rociado.</p>	<p>Está usando la puntas de rocío de alta presión.</p>	<p>Use la puntas de rocío de baja presión (negra).</p>
<p>El motor funciona bien cuando no tiene cargas, pero funciona "mal" cuando se conecta una carga.</p>	<p>La velocidad del motor es demasiado lenta.</p>	<p>Mueva el control de la válvula de regulación a la posición FAST (RAPIDO). Si el motor continua funcionando mal, póngase en contacto con el centro de servicio Sears.</p>
<p>El motor no arranca; o arranca y funciona mal.</p>	<ol style="list-style-type: none"> 1. Depurador de aire sucio. 2. Sin gasolina. 3. Gasolina vieja. 4. El alambre de la bujía no está conectado a la bujía. 5. Bujía mala. 6. Agua en la gasolina. 7. Mezcla de combustible demasiado rica. 	<ol style="list-style-type: none"> 1. Limpie o reemplace el depurador de aire. 2. Llene el tanque de combustible. 3. Drene el tanque de gasolina; llénelo con combustible fresco. 4. Conecte el alambre a la bujía. 5. Reemplace la bujía. 6. Drene el tanque de gasolina; llénelo con combustible fresco. 7. Póngase en contacto con el centro de servicio Sears.
<p>El motor se apaga durante la operación.</p>	<p>Sin gasolina.</p>	<p>Llene el tanque de combustible.</p>
<p>El motor no tiene fuerza.</p>	<p>Filtro de aire sucio.</p>	<p>Reemplace el filtro de aire.</p>

GARANTIA DEL SISTEMA DE CONTROL DE EMISIONES

Sears, Roebuck and Co., U.S.A. (Sears), California Air Resources Board (Consejo de Recursos sobre el Aire de California, CARB, por sus siglas en inglés) y United States Environmental Protection Agency (Agencia de Protección Ambiental de EE.UU., EPA, por sus siglas en inglés).

Declaración de garantía del sistema de control de emisiones (derechos y obligaciones del propietario para la garantía contra defectos)

California Air Resources Board (CARB), U.S. EPA y Sears le explican a continuación la garantía del sistema de control de emisiones de su pequeño motor para máquinas de servicio (SORE, Small Offroad Engine). En California, los modelos de pequeños motores para máquinas de servicio a partir del año 2006 deben estar diseñados, fabricados y equipados conforme a los exigentes estándares de lucha contra la contaminación del Estado.

En otras regiones de Estados Unidos, los nuevos motores para interiores de ignición por chispa certificados para modelos año 1997 y posteriores deben cumplir con normas similares establecidas por la EPA de EE.UU. Sears debe garantizar el sistema de control de emisiones de su motor para los períodos indicados a continuación, siempre y cuando no se haya abusado, descuidado o dado mantenimiento incorrecto al motor pequeño para exteriores.

Su sistema de control de emisiones incluye piezas como el carburador, el filtro de aire, el sistema de arranque, el tubo de combustible, el silenciador y el convertidor catalítico. También puede incluir conectores y otros conjuntos relacionados con las emisiones.

Cuando exista una condición que pueda ser cubierta por la garantía, Sears reparará el motor pequeño para exteriores sin costo alguno, incluyendo el diagnóstico, las partes de repuesto y la mano de obra.

Cobertura de la garantía de Sears, Roebuck and Co. contra defectos en el control de emisiones

Los pequeños motores para máquinas de servicio están garantizados contra defectos de las piezas de control de emisiones durante un período de dos años, conforme a las siguientes disposiciones. Si cualquier pieza del motor con cobertura es defectuosa, será reparada o sustituida por Sears.

Responsabilidades del propietario para la garantía

Como propietario del motor pequeño para exteriores, usted es responsable de realizar las actividades de mantenimiento requeridas que se indican en Instrucciones de uso y mantenimiento. Sears recomienda que conserve todos los recibos que cubran el mantenimiento de su motor pequeño para exteriores, pero Sears no puede negar la garantía solamente por la falta de recibos ni por su imposibilidad de garantizar la realización de todas las actividades de mantenimiento programadas.

Como propietario del motor pequeño para exteriores, usted siempre debe tener en cuenta que Sears podrá negar la cobertura de la garantía si su motor pequeño para exteriores o una parte del mismo presenta fallas debido a abuso, descuido, mantenimiento incorrecto o modificaciones no aprobadas.

Usted es responsable de presentar su motor pequeño para exteriores a un distribuidor autorizado de servicio de Sears aprobado tan pronto como se presente el problema.

Las reparaciones cubiertas por la garantía se llevarán a cabo en un plazo razonable, no superior a 30 días en ningún caso.

Si tiene alguna pregunta con respecto a sus derechos y responsabilidades para la garantía, póngase en contacto con un representante de servicio Sears al 1-800-469-4663.

La garantía de emisiones es una garantía contra defectos. Los defectos se juzgan en función del rendimiento normal del motor. La garantía no dependerá de ninguna prueba de emisiones en funcionamiento.

Disposiciones de la garantía de Sears, Roebuck and Co. contra defectos en el control de emisiones

Las siguientes son disposiciones específicas relacionadas con la cobertura de la garantía contra defectos en el control de emisiones. Se añade a la garantía de motores de Sears para motores no regulados, que figura en las Instrucciones de uso y mantenimiento.

1. Partes garantizadas

La cobertura bajo esta garantía incluye solamente aquellas partes que se enumeran a continuación (las partes del sistema de control de emisiones) en la medida que dichas partes hayan estado presentes en el motor adquirido.

- a. Sistema de medición de combustible
- Sistema de enriquecimiento para arranque en frío

- Carburador y partes internas
- Bomba de combustible
- Tubo de combustible, acoplamiento del tubo de combustible, abrazaderas
- Depósito de combustible, tapón y cadena
- Bote de carbono
- b. Sistema de inducción de aire
 - Filtro de aire
 - Colector de entrada
 - Línea de purga y ventilación
- c. Sistema de ignición
 - Bujías
 - Sistema de ignición por magneto
- d. Sistema catalizador
 - Convertidor catalítico
 - Colector de escape
 - Sistema de inyección de aire o válvula por impulsos
- e. Distintos elementos utilizados en los sistemas anteriores
 - Válvulas e interruptores de vacío, temperatura, posición y de detección de tiempo
 - Conectores y conjuntos

2. Vigencia de la cobertura

Sears garantiza al propietario inicial y a cada comprador subsiguiente que las partes garantizadas estarán libres de defectos en material y en mano de obra, que ocasionen fallas de las partes garantizadas durante un período de dos años a partir de la fecha en que el motor sea entregado al comprador minorista.

3. No habrá cargos

La reparación o reemplazo de cualquier parte garantizada se realizará sin cargo alguno para el propietario, incluyendo la mano de obra de diagnóstico que derive en la determinación de que una parte garantizada está defectuosa, si la labor de diagnóstico se realiza en un Centro de servicio Sears aprobado.

4. Reclamos y exclusiones de cobertura

Los reclamos vinculados con la garantía se presentarán conforme a las disposiciones de la Póliza de garantía de Sears. La cobertura de la garantía se excluirá para aquellas fallas de partes garantizadas que no sean partes originales de Sears o debido a abuso, descuido o mantenimiento incorrecto, según se establece en la Póliza de garantía de motores de Sears. Sears no es responsable por la cobertura de fallas de partes garantizadas ocasionadas por el uso de partes adicionales, no originales o modificadas.

5. Mantenimiento

Cualquier parte garantizada cuyo reemplazo no esté programado como mantenimiento requerido o que esté programada únicamente para inspección frecuente con el fin de "reparar o reemplazar conforme sea necesario", estará garantizada en cuanto a defectos por el período de la garantía. Cualquier parte garantizada cuyo reemplazo esté programado como mantenimiento requerido tendrá solamente una garantía contra defectos únicamente por el período hasta el primer reemplazo programado para esa parte. Se podrá utilizar cualquier parte de repuesto que tenga un rendimiento y durabilidad equivalentes, al realizar cualquier actividad de mantenimiento o reparación. El propietario es responsable de realizar todo el mantenimiento requerido, según se define en Instrucciones de uso y mantenimiento de Sears.

6. Cobertura consiguiente

La cobertura bajo la presente se ampliará a la falla de cualquier componente del motor provocada por un desperfecto en cualquier parte garantizada que siga gozando de la cobertura de la garantía.

En EE.UU. y Canadá contamos con una línea de emergencia las 24 horas (1-800-469-4663), que ofrece un menú de mensajes pregrabados con información sobre mantenimiento de productos.

Información sobre emisiones

Los motores con certificación de cumplimiento de la normativa sobre emisiones del California Air Resources Board (CARB) deben mostrar información sobre el período de durabilidad de las emisiones y el índice de aire. El fabricante del motor ofrece esta información al consumidor mediante etiquetas de emisiones. La etiqueta de emisiones del motor contiene la información de certificación.

El **Período de Durabilidad de las Emisiones** indica el número de horas durante las cuales el motor puede funcionar cumpliendo las normas sobre emisiones, siempre que se realicen las operaciones de mantenimiento que se detallan en las instrucciones de uso y mantenimiento. Se utilizan las siguientes categorías:

Moderado: El motor está certificado para cumplir la normativa sobre emisiones durante 125 horas de funcionamiento real.

Intermedio: El motor está certificado para cumplir la normativa sobre emisiones durante 250 horas de funcionamiento real.

Prolongado: El motor está certificado para cumplir la normativa sobre emisiones durante 500 horas de funcionamiento real.

Por ejemplo, un cortacésped con operario a pie se suele utilizar entre 20 y 25 horas al año. Por tanto, el **Período de Durabilidad de las Emisiones** de un motor con clasificación **intermedia** equivaldría a 10-12 años.

Algunos motores cuentan con la certificación de cumplimiento de la fase 2 de las normas sobre emisiones de la United States Environmental Protection Agency (USEPA, Agencia estadounidense de protección del medioambiente). En el caso de los motores con certificación de fase 2, el período de cumplimiento de la normativa sobre emisiones que figura en la etiqueta de cumplimiento de emisiones indica el número de horas de funcionamiento durante las cuales el motor ha demostrado cumplir los requisitos federales sobre emisiones.

Para motores de menos de 225 cc:

Categoría C = 125 horas

Categoría B = 250 horas

Categoría A = 500 horas.

Para motores de 225 cc o más:

Categoría C = 250 horas

Categoría B = 500 horas

Categoría A = 1000 horas.

Get it fixed, at your home or ours!

Your Home

For expert troubleshooting and home solutions advice:

manage  home

www.managemyhome.com

For repair – **in your home** – of **all** major brand appliances, lawn and garden equipment, or heating and cooling systems, **no matter who made it, no matter who sold it!**

For the replacement parts, accessories and owner's manuals that you need to do-it-yourself.

For Sears professional installation of home appliances and items like garage door openers and water heaters.

1-800-4-MY-HOME[®] (1-800-469-4663)

Call anytime, day or night (U.S.A. and Canada)

www.sears.com www.sears.ca

Our Home

For repair of carry-in items like vacuums, lawn equipment, and electronics, call anytime for the location of your nearest

Sears Parts & Repair Service Center

1-800-488-1222 (U.S.A.) **1-800-469-4663** (Canada)

www.sears.com

www.sears.ca

To purchase a protection agreement on a product serviced by Sears:

1-800-827-6655 (U.S.A.)

1-800-361-6665 (Canada)

Para pedir servicio de reparación a domicilio, y para ordenar piezas:

1-888-SU-HOGAR[®]

(1-888-784-6427)

Au Canada pour service en français:

1-800-LE-FOYER^{MC}

(1-800-533-6937)

www.sears.ca

Sears

® Registered Trademark / TM Trademark / SM Service Mark of Sears Brands, LLC

® Marca Registrada / TM Marca de Fábrica / SM Marca de Servicio de Sears Brands, LLC

^{MC} Marque de commerce / ^{MD} Marque déposée de Sears Brands, LLC

© Sears Brands, LLC