

Operators Manual

CRAFTSMAN®

6.75 Horsepower

2200 PSI

2.2 GPM

HIGH PRESSURE WASHER

Model No. 580.762202



Pressure Washer
Customer Helpline
1-800-222-3136

HOURS: Mon. - Fri. 8 a.m. to 5 p.m. (CST)

CAUTION:

Before using this product, read this manual and follow all its Safety Rules and Operating Instructions.

- Safety
- Assembly
- Operation
- Maintenance
- Parts

Sears, Roebuck and Co., Hoffman Estates, IL 60179

Visit our Craftsman website: www.sears.com/craftsman

TABLE OF CONTENTS

SAFETY RULES	2-3	STORAGE	15
ASSEMBLY	4-5	TROUBLESHOOTING	16
OPERATION	6-10	REPLACEMENT PARTS	18-27
MAINTENANCE	11-14	HOW TO ORDER PARTS	28

WARRANTY

LIMITED ONE YEAR WARRANTY ON CRAFTSMAN HIGH PRESSURE WASHER

For one year from the date of purchase, when this Craftsman High Pressure Washer is maintained and operated according to the instructions in the owner's manual, Sears will repair, free of charge, any defect in material and workmanship.

If this high pressure washer is used for commercial purposes, this warranty applies for only 90 days from the date of purchase. If this high pressure washer is used for rental purposes, this warranty applies for only 30 days after date of purchase.

This warranty does not cover:

- Expendable items such as spark plugs and air filters, which become worn during normal use.
- Repairs necessary because of operator abuse or negligence, including damage resulting from no water being supplied to pump or failure to maintain the equipment according to the instructions contained in the owner's manual.

WARRANTY SERVICE IS AVAILABLE BY RETURNING THE HIGH PRESSURE WASHER TO THE NEAREST SEARS SERVICE CENTER OR DEALER IN THE UNITED STATES.

This warranty gives you specific legal rights and you may also have other rights, which vary from state to state.

Sears, Roebuck and Co., D/817 WA, Hoffman Estates, IL 60179

SAFETY RULES



CAUTION: ALWAYS DISCONNECT SPARK PLUG WIRE AND PLACE WIRE WHERE IT CANNOT CONTACT SPARK PLUG, TO PREVENT ACCIDENTAL STARTING WHEN SETTING UP, TRANSPORTING, ADJUSTING OR MAKING REPAIRS TO YOUR HIGH PRESSURE WASHER.



CAUTION: Before using this product, read this manual and follow all Safety Rules and Operating Instructions.



WARNING:



The engine exhaust from this product contains chemicals known to the State of California to cause cancer, birth defects, or other reproductive harm.

- Engine exhaust gases contain **DEADLY** carbon monoxide gas. This dangerous gas, if breathed in sufficient concentrations, can cause unconsciousness or even death. Operate this equipment only in the open air where adequate ventilation is available.
- Gasoline is highly **FLAMMABLE** and its vapors are **EXPLOSIVE**. Do not permit smoking, open flames, sparks or heat in the vicinity while handling gasoline. Avoid spilling gasoline on a hot engine. Allow unit to cool for 2 minutes before refueling. Comply with all laws regulating storage and handling of gasoline.
- Locate this pressure washer in areas away from combustible materials, combustible fumes or dust.
- The high pressure equipment is designed to be used with Sears authorized parts only. If you use this equipment with parts that do not comply with minimum specifications, the user assumes all risks and liabilities.

- Some chemicals or detergents may be harmful if inhaled or ingested, causing severe nausea, fainting or poisoning. The harmful elements may cause property damage or severe injury.
- Do not allow CHILDREN to operate the Pressure Washer at any time.
- Operate engine only at governed speed. Running the engine at excessive speeds increases the hazard of personal injury. Do not tamper with parts which may increase or decrease the governed speed.
- Do not wear loose clothing, jewelry or anything that may be caught in the starter or other rotating parts.
- Before starting the Pressure Washer in cold weather, check all parts of the equipment and be sure ice has not formed there.
- Units with broken or missing parts, or without protective housing or covers should NEVER be operated.
- The muffler and air cleaner must be installed and in good condition before operating the Pressure Washer. These components act as spark arrestors if the engine backfires.
- Check the fuel system for leaks or signs of deterioration such as chafed or spongy hose, loose or missing clamps or damaged tank or cap. Correct all defects before operating the Pressure Washer.
- Do not spray flammable liquids.
- Never allow any part of the body to come in contact with the fluid stream. DO NOT come in contact with a fluid stream created by a leak in the high pressure hose.
- High pressure streams of fluid this equipment produces can pierce skin and its underlying tissues, leading to serious injury and possible amputation.
- Never aim the gun at people, animals or plants.
- High pressure spray can cause paint chips or other particles to become airborne and fly at high speeds.
- Always wear eye protection when you use this equipment or when you are in the vicinity where the equipment is in use.
- Operate the pressure at no more than the PSI fluid pressure rated for your pressure washer.
- Never move the machine by pulling on the high pressure hose. Use the handle provided on the top of the unit.
- Always be certain the spray gun, nozzles and accessories are correctly attached.
- Never use a spray gun which does not have a trigger lock or trigger guard in place and in working order.
- Use a respirator or mask whenever there is a chance that vapors may be inhaled. Read all instructions with the mask so you are certain the mask will provide the necessary protection against inhaling harmful vapors.
- High pressure spray may damage fragile items including glass. Do not point spray gun at glass when in the jet spray mode.
- Keep the hose connected to machine or the spray gun while the system is pressurized. Disconnecting the hose while the unit is pressurized is dangerous.
- Hold the spray gun firmly in your hand before you start the unit. Failure to do so could result in an injury from a whipping spray gun. Do not leave the spray gun unattended while the machine is running.
- The cleaning area should have adequate slopes and drainage to reduce the possibility of a fall due to slippery surfaces.
- Keep water spray away from electric wiring or fatal electric shock may result.
- Do not adjust unloader valve to a pressure in excess of machine rating.
- Do not secure trigger gun in the pull-back (open) position.
- Do not by-pass any safety device on this machine.
- The muffler and engine heat up during operation and remain hot immediately after shutting it down. Avoid contact with a hot muffler or engine or you could be severely burned.
- Operate and store this unit on a stable surface.
- High pressure hose can develop leaks from wear, kinking, abuse, etc. Water spraying from a leak is capable of injecting material into skin. Inspect hose each time before using it. Check all hoses for cuts, leaks, abrasions or bulging of cover, or damage or movement of couplings. If any of these conditions exist, replace hose immediately. Never repair high pressure hose. Replace it with another hose that meets minimum pressure rating of your pressure washer.

LOOK FOR THIS SYMBOL TO POINT OUT IMPORTANT SAFETY PRECAUTIONS. IT MEANS "ATTENTION!!! BECOME ALERT!!! YOUR SAFETY IS INVOLVED."

ASSEMBLY

CARTON CONTENTS

The following parts are shipped loose with your pressure washer:

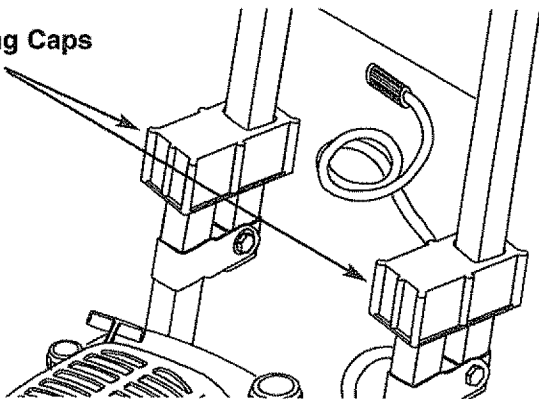
- Main Unit — pressure washer with wheels, guide handle.
- High Pressure Hose
- Parts Box #1 (which includes items listed below)
 - Rotating Brush
 - Vehicle/Boat Wash
 - House/Multi-purpose Wash
- Parts Box #2 (which includes items listed below)
 - Adjustable Nozzle
 - Turbo Nozzle
 - Spray Gun
 - Nozzle Extension
 - Wire Form
 - Motor Oil
 - Rotating Brush Adapter
 - Manual Bag (which includes the items listed below)
 - Owner's Manual
 - Nozzle Cleaning Kit
 - "O"-Ring Kit

Become familiar with each piece before assembling the pressure washer. Check all contents against the illustration on Page 6. If any parts are missing or damaged, call the Pressure Washer Helpline at 1-800-222-3136.

TO REMOVE PRESSURE WASHER FROM CARTON

- Remove parts boxes included with pressure washer. The high pressure hose is packed in the bottom of the carton. Remove the hose.
- Slice two corners at handle end of carton from top to bottom so the panel can be folded down flat.
- Raise handle, secure in place with the locking caps and roll the pressure washer out the open end of the carton.

Locking Caps

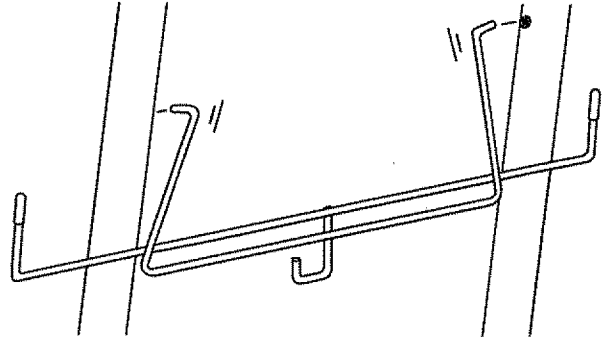


- Check carton for additional loose parts.

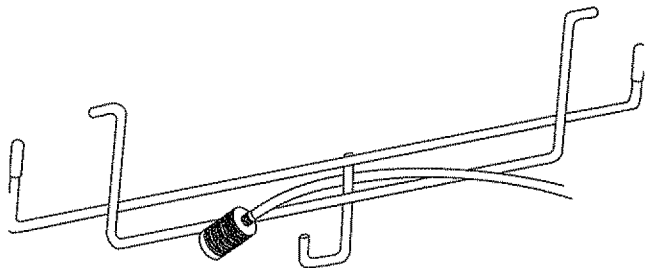
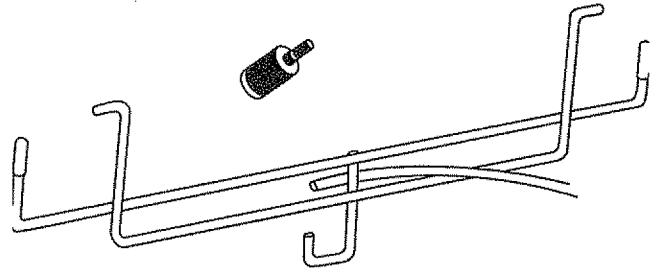
HOW TO SET UP YOUR PRESSURE WASHER

For the most part, your Craftsman High Pressure Washer has been assembled at the factory. You must, however, attach the wire form, assemble the spray gun, and attach the high pressure hose to the pump and spray gun.

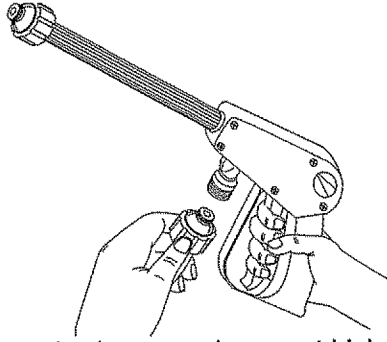
- While facing the rear of the Pressure Washer, insert the wire support with the longer arm positioned on the left. From this view the hook should resemble a "J".



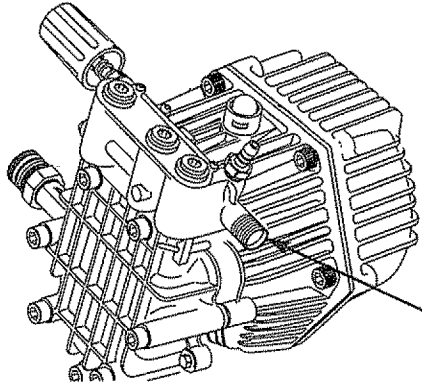
- Cut tie wrap on chemical injection tube. Remove chemical injection filter, thread chemical injection tube through the wire form and reinsert filter into tube.



- Cut the tie wraps on the high pressure hose and connect high pressure hose to gun. Tighten by hand.

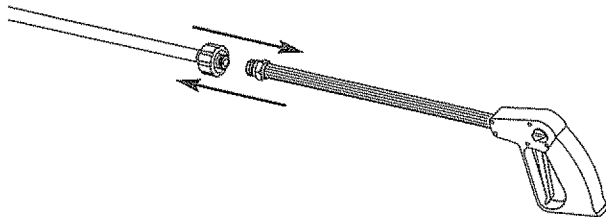


- Remove plastic cap and connect high pressure hose to pump. Tighten by hand.

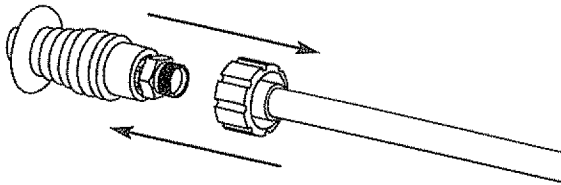


Attach High Pressure hose here

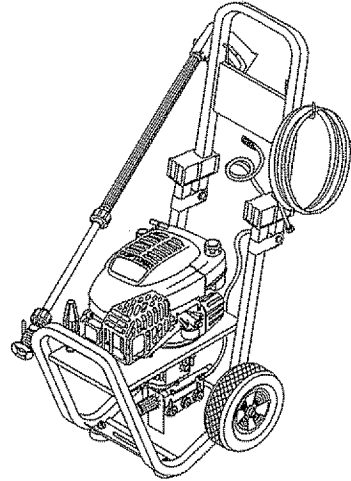
- Attach nozzle extension to spray gun.



- Attach adjustable nozzle to the nozzle extension.



- Place assembled spray gun on holder.
- Place turbo nozzle in grommet hole in base.



CHECKLIST

Before you operate your new high pressure washer please review the following checklist:

- All assembly instructions have been completed.
- The high pressure hose connections to the spray gun and to the pump are tight and secure.

While learning how to use your high pressure washer, pay extra attention to the following important item:

- Engine oil is at proper level

Important: Any attempt to crank or start the engine before it has been properly serviced with the recommended oil may result in an engine failure. See Page 9 for instructions on adding oil and proper oil specifications.

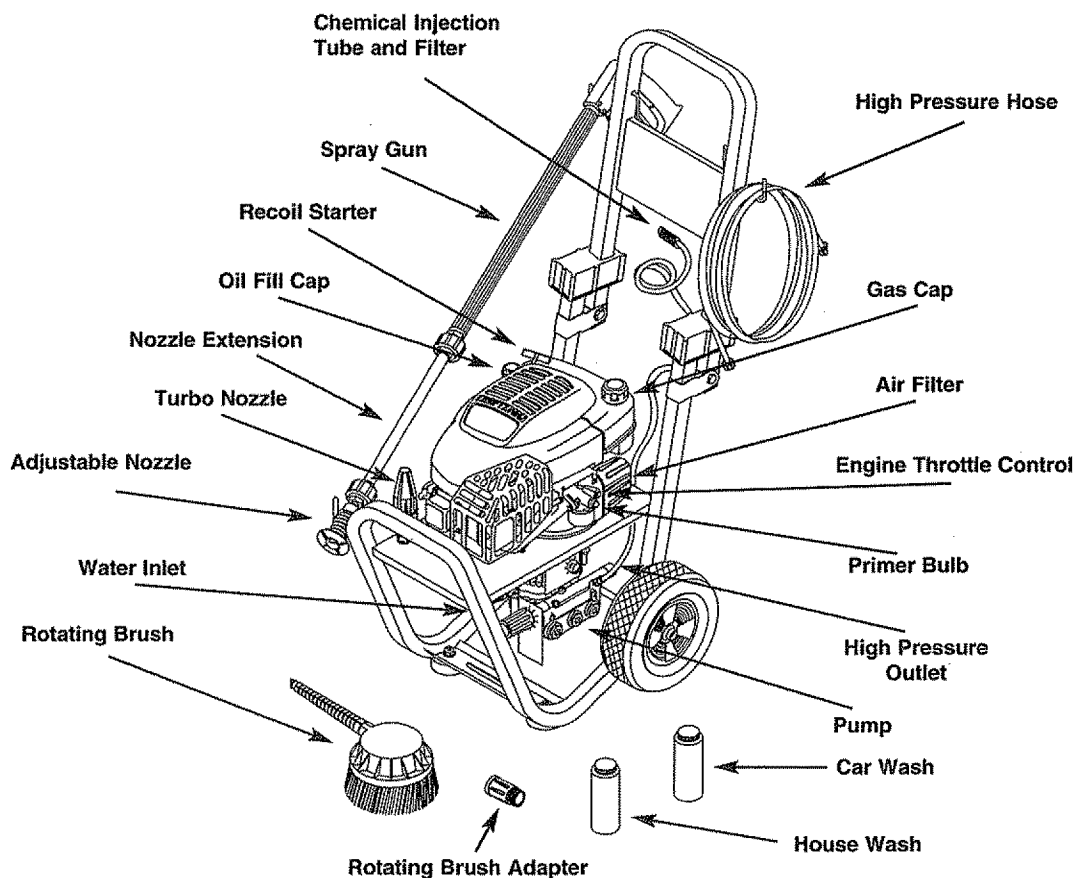
Important: The water supply to your pressure washer must be connected and turned on prior to starting your engine.

- Be sure gas tank is properly filled with clean, fresh, unleaded gasoline.
- Become familiar with all controls – their location and function. Operate those controls before starting the engine.

OPERATION

KNOW YOUR HIGH PRESSURE WASHER

Read this owner's manual and safety rules before operating your high pressure washer. Compare the illustrations with your high pressure washer to familiarize yourself with the locations of various controls and adjustments. Save this manual for future reference.



Adjustable Nozzle — Attaches to the nozzle extension and adjusts the spray pattern to be either a low pressure stream or a high pressure stream. Twisting the nozzle adjusts the narrow spray pattern to a fan spray pattern. Note: You can only siphon detergent in the low pressure mode.

Air Filter — Dry type filter element limits the amount of dirt and dust that gets in the engine.

Car Wash — Use the concentrate to wash your car or boat.

Chemical Injection Tube and Filter — Mixes water and detergent in outlet water flow.

Engine Throttle Control — Sets engine in starting mode for recoil starter; STOPS running engine.

Gas Cap — Fill gas tank with unleaded gasoline here.

High Pressure Hose — Attach one end to the pump. Attach the other end to the spray gun.

High Pressure Outlet — Connection for high pressure hose.

House Wash — Use the concentrate to wash your House.

Nozzle Extension — Attach one end to the spray gun. Attach the other end of the nozzle extension to either the adjustable nozzle, turbo nozzle or rotating brush adapter.

Oil Fill Cap — Fill engine with SAE 30 oil here.

Primer Bulb — Prepares a cold engine for starting.

Pump — Develops high water pressure.

Recoil Starter — Used for starting the engine manually.

Rotating Brush — Use this brush for automatic scrubbing of surfaces. Attaches to the nozzle extension. Note: When attaching to nozzle extension, you must use the accessory adapter.

Rotating Brush Adapter — Allows the rotating brush to be attached to the nozzle extension.

Spray Gun — Controls the application of water onto cleaning surface with trigger device. Includes safety latch.

Turbo Nozzle — Attaches to the nozzle extension and creates a high pressure stream that rotates in a circular pattern.

Water Inlet — Connection for garden hose.

HOW TO USE YOUR PRESSURE WASHER

IF YOU HAVE ANY PROBLEMS operating your pressure washer, please call the pressure washer helpline at 1-800-222-3136.

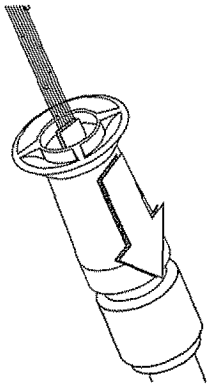
HOW TO USE THE ADJUSTABLE NOZZLE



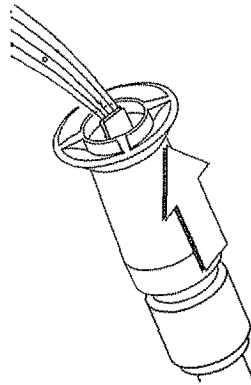
DANGER! NEVER adjust spray pattern when spraying. NEVER put hands in front of spray nozzle to adjust spray pattern. You could be injured.

One of the nozzles you can attach to the nozzle extension is the adjustable nozzle. You can slide the adjustable nozzle forward and backward to adjust the spray pattern to be either high pressure or low pressure. You can also twist the adjustable nozzle from side to side to adjust the spray so it is concentrated in a stream pattern or expanded into a fan pattern.

- Slide the nozzle forward to adjust the spray to low pressure mode. Slide the nozzle backward to achieve high pressure.

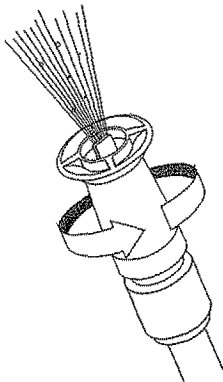


Slide nozzle backward to place in high pressure mode.

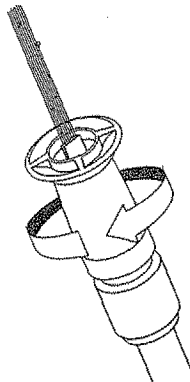


Slide nozzle forward for low pressure mode.

- Twisting the nozzle adjusts the spray pattern from a narrow pattern to a fan pattern.



Twist nozzle counterclockwise for fan spray pattern.



Twist nozzle clockwise for narrow spray pattern.

- For most effective cleaning, keep spray nozzle between 8 to 24 inches away from cleaning surface.

- If you get spray nozzle too close, especially using high pressure mode, you may damage the cleaning surface.

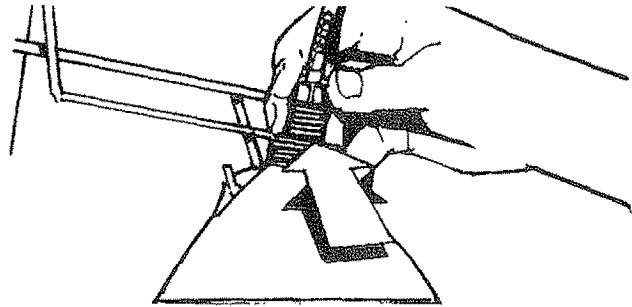
APPLYING DETERGENT AND CLEANING WITH ADJUSTABLE NOZZLE

IMPORTANT: Use soaps designed specifically for pressure washers. Household detergents could damage the pump.

IMPORTANT: You must attach all hoses before you start the engine. Starting the engine without all the hoses connected and without the water turned ON will damage the pump.

To apply detergent follow these steps:

- Prepare the detergent solution as required by the job. (For the enclosed bottles of detergent, add the 8 ounces of chemical to a 1 gallon plastic bottle with handle (not included). Fill the rest of the bottle with water.)
- Hang the detergent solution on the "J" hook on the wire form on the guide handle.
- Place small filter on the chemical injection tube into the detergent container.



- Slide the adjustable nozzle forward to low pressure mode. **Detergent cannot be applied with nozzle in high pressure position.**

Note: The first step involves applying an appropriate detergent/solvent solution to penetrate and loosen grime. The detergent is applied at low pressure to avoid splashing, overspraying and waste. Leave the solution on surface for 3 to 5 minutes to allow solution to work. Reapply as needed to prevent surface from drying.

Note: The second step involves cleaning the surface you have prepared with the pressure washer and then rinsing it clean.

- Review the use of the adjustable nozzle.
- Connect garden hose to water inlet (see "TO START PRESSURE WASHER"), check that high pressure hose is connected to spray gun and pump (see ASSEMBLY), and start engine.
- For cleaning, start at lower portion of area to be washed and work upward, using long, even overlapping strokes.
- Allow the detergent to soak in between 3-5 minutes before washing and rinsing. Reapply as needed to prevent surface from drying.

RINSING WITH THE PRESSURE WASHER



WARNING Be extremely careful if you must use the pressure washer from ladder, scaffolding or any other relatively unstable location. Pressure in a running washer builds in the wand as you climb. When you press the trigger, the recoil from the initial spray could force you to fall, or if you are too close to the cleaning surface, high pressure could force you off a climbing apparatus.

- Hook up the water supply and start your pressure washer (see TO START THE PRESSURE WASHER).
- Slide adjustable nozzle back to high pressure position and wait for detergent to clear. Detergent will not flow when in the high pressure mode.
- When detergent has cleared you may want to expand the spray pattern for a more gentle rinsing action. Start at top of area to be rinsed, working down with same action as for cleaning.

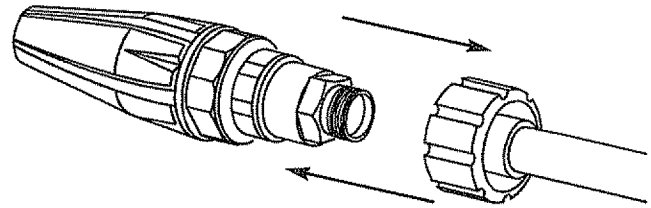
You can also stop detergent from flowing by simply removing siphon from bottle.

HOW TO USE ADJUST PRESSURE USING THE PRESSURE CONTROL KNOB

Located on the pump is a pressure control knob. You can increase and decrease the pressure of the spray by turning the knob clockwise or counterclockwise respectively. The knob is set at maximum pressure at the factory.

HOW TO USE THE TURBO NOZZLE.

The turbo nozzle rotates the high pressure stream in a rapid circular pattern. This increases the cleaning effectiveness of the high pressure spray. Attach the turbo nozzle on the end of the nozzle extension.



The high pressure spray is most effective when the tip of the wand is held between 8 to 24 inches from the surface being cleaned.

Important: The turbo nozzle produces an extremely high pressure spray which is capable of removing paint and cutting holes through surfaces if held too close. Always make sure the surface you will clean will not be damaged by the high pressure spray.

HOW TO USE THE ROTATING BRUSH

Your pressure washer comes equipped with a rotating brush. Use the brush to clean especially dirty surfaces. It is a soft bristle brush with feathered ends that will not scratch surfaces.

To connect the rotating brush to the spray gun:

- Attach the accessory adapter to the rotating brush.
- After attaching the accessories adapter onto the rotating brush, attach the accessory adapter to the nozzle extension.
- After attaching the accessories adapter onto the nozzle extension, attach nozzle extension onto spray gun.

Note: The rotating brush operates in low pressure setting allowing you to dispense chemical with the brush.

BEFORE STARTING THE PRESSURE WASHER

To operate the engine you will need to do the following:

ADD ENGINE OIL

Use only high quality detergent oil rated with API service classification SF or SG rated SAE 30 weight. Use no special additives.

- Place pressure washer on a level surface
- Clean area around oil fill and remove oil dipstick.
- Wipe dipstick clean.
- Pour oil from enclosed bottle into the oil fill opening until oil reaches FULL mark on the dipstick. Stop and check the oil level periodically. DO NOT OVERFILL.
- Install oil dipstick, hand tighten securely.

Check oil level often during engine break in.

ADD GASOLINE

- Use fresh, clean, unleaded regular, unleaded



DANGER! NEVER fill fuel tank indoors. NEVER fill fuel tank when engine is running or hot. DO NOT light a cigarette or smoke when filling the fuel tank.



DANGER! Do not overfill the fuel tank. Always leave room for fuel expansion. Wipe any fuel spillage from engine and equipment before starting engine

premium, or reformulated automotive gasoline only. Do not use leaded gasoline.

Note: Do not use gasoline containing methanol (wood alcohol). Gasoline containing up to 10% ethanol or grain alcohol ("Gasohol"), or up to 15% MTBE (Methyl Tertiary Butyl Ether), may be used but requires special care when engine is unused for extended periods.

See "Storage" instructions on Page 15.

- Clean area around fuel fill cap, remove cap.
- Add "UNLEADED" regular gasoline, slowly, to fuel tank.

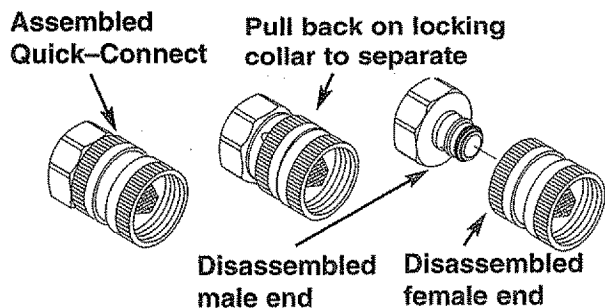
Important: Never mix oil with gasoline.

- Install fuel cap and wipe up any spilled gasoline.

TO START YOUR PRESSURE WASHER

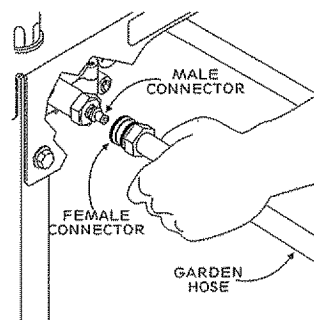
You have assembled your high pressure washer and have prepared the engine for starting. You are now ready to clean your car, boat or whatever you plan to clean.

- Place the pressure washer in an area close enough to an outside water source that can flow at a rate of at least 2.2 gallons per minute. Connect a garden hose to the water spout.
- Check that the high pressure hose is tightly connected to the spray gun and to the pump. See ASSEMBLY section for illustrations.
- Pull back on the locking collar to remove the female quick-connect from pump.



Note: You will also need to pull back on the locking collar to attach the female quick-connect.

- Check inlet screen. If the screen is dirty, clean before attaching to garden hose. If the screen is damaged, **Do not** connect to the garden hose. Replace with the inlet screen provided in the o-ring kit or call 1-800-366-PART to order a replacement (p/n B2384).
- Attach the female quick-connect to garden hose and then attach the garden hose to the water inlet. Make sure the quick-connect is locked together.



- Turn on the water.

IMPORTANT: Do not run pump without the water supply connected and turned on. You must follow this caution or the pump will be damaged.

- Move the Throttle Control Lever to the 'Fast' position
- Push primer bulb 3 times. Wait about two 2 seconds between each push. In cold weather, (55°F/13°C or below) push 5 times.

Note: Do not use primer to restart a warm engine after a short shut down.

- Position the nozzle in the low pressure mode (nozzle slid forward) and squeeze the trigger on the spray gun to relieve the air pressure caused by turning ON the water. Water will spew out the gun in a thin stream. Continue to hold trigger until you have a steady stream of water and no air remains in the system. This will make it easier to pull start the engine. Release the trigger.
- Engage the safety latch on the gun.
- Grasp rope handle and pull slowly until you feel some resistance. Then pull cord rapidly to overcome compression, prevent kickback and start the engine. Let rope return to starter **slowly**.

Note: Always keep the Throttle Control Lever in the 'Fast' position when operating the pressure washer.

Note: If after 3 pulls the engine fails to start, prime the engine again, purge the gun and pull the recoil starter handle rapidly (Max. 3 pulls).

HOW TO STOP YOUR PRESSURE WASHER

- Move the Throttle Control Lever to the 'Slow' position.
- Wait for the engine to idle down.
- Move the Throttle Control Lever to the 'Stop' position.
- **Simply shutting off the engine will not release pressure in the system.** Squeeze trigger on the spray gun to relieve pressure in the hose.

Note: A small amount of water will squirt out from the spray gun when you release the pressure.

SIPHONING

We recommend that you **DO NOT** siphon standing water for your water supply. Contaminated, brackish or dirty water can damage the pump. Connect only to household water supply.

TIPS

- Never use the garden hose inlet to siphon detergent or wax.
- If you have the spray nozzle too far away, the cleaning will not be as effective.

MAINTENANCE

CUSTOMER RESPONSIBILITIES

MAINTENANCE SCHEDULE FILL IN DATES AS YOU COMPLETE REGULAR SERVICE	HOURLY OPERATING INTERVAL			SERVICE DATES				
	Before Each Use	Every 25 Hours or Yearly	Every 100 Hours or Yearly					
PRESSURE WASHER								
Check/clean water inlet screen on quick-connect.	X†							
Check high pressure hose.	X							
Check detergent hose.	X							
Check spray gun and assembly for leaks.	X							
Purge pump of air and contaminants.	X							
ENGINE								
Check oil level.	X							
Change engine oil.		X*						
Service air cleaner.			X**					
Clean/replace spark plug.			X					
Prepare for storage.	Prepare unit for storage if it is to remain idle for longer than 30 days.							

† Clean if clogged. Replace if perforated or torn.

* Change oil after first 2 hours then 25 thereafter. Change sooner when under dirty or dusty conditions.

** Clean more often under dirty or dusty conditions.

GENERAL RECOMMENDATIONS

The warranty of the high pressure washer does not cover items that have been subjected to operator abuse or negligence. To receive full value from the warranty, operator must maintain high pressure washer as instructed in this manual.

Some adjustments will need to be made periodically to properly maintain your high pressure washer.

All adjustments in the Service and Adjustments section of this manual should be made at least once each season.

- Once a year you should clean or replace the spark plug and clean or replace the air filter and check the gun and wand assembly for wear. A new spark plug and clean air filter assure proper fuel-air mixture and help your engine run better and last longer.

PRODUCT SPECIFICATIONS

Pressure Washer Specifications

PRESSURE	2200 psi
FLOW RATE	2.2 GPM
DETERGENT MIX	Use undiluted detergent
WATER SUPPLY TEMPERATURE	Not to Exceed 140°F

Engine Specifications

ENGINE MODEL	Tecumseh
RATED HORSEPOWER	6.75
DISPLACEMENT	172cc
SPARK PLUG: Type:	Champion RN4C or equivalent
Set Gap to:	0.030 inch (0.76mm)
GASOLINE CAPACITY	1.5 U.S. quart
OIL	SAE 30 weight
SOLID STATE IGNITION AIR GAP	0.0125 inch

In the State of California a spark arrestor is required by law (Section 4442 of the California Public Resources Code). Other states may have similar laws. Federal laws apply on federal lands.

Note: If you equip the engine of your pressure washer with a spark arrestor muffler, the spark arrestor must be maintained in effective working order by the owner/operator.

You can order a spark arrestor through your Sears Service Center.

BEFORE EACH USE

- Check water inlet screen for damage.
- Check high pressure hose for leaks.
- Check detergent inlet hose and filter for damage.
- Check gun and wand assembly for leaks.
- Purge pump of air and contaminants.
- Check engine oil level.

PRESSURE WASHER MAINTENANCE

Check and Clean Inlet Screen: Remove quick-connect and examine inlet screen on the female connector. Clean if it is clogged or replace if it is torn.

Check High Pressure Hose: High pressure hose can develop leaks from wear, kinking, abuse. Inspect hose each time before using it. Check for cuts, leaks, abrasions or bulging of cover, or damage or movement of couplings. If any of these conditions exist, replace hose immediately.



DANGER: Water spraying from a leak is capable of injecting material into skin. NEVER repair high pressure hose. Replace with hose that meets minimum pressure rating of your pressure washer.

Check Detergent Hose: Examine the filter on the detergent hose and clean if clogged. Hose should fit tightly on barbed fitting. Examine hose for leaks or tears. Replace the filter or hose if either is damaged.

Check Gun and Wand: Examine hose connection to gun and make sure it is secure. Test trigger by pressing it and making sure it springs back into place when you release it. Put safety latch in UP position and test trigger. You should not be able to press trigger.

Purge Pump of Air and Contaminants

To remove the air from the pump, follow these steps:

- Set up the pressure washer as described in the ASSEMBLY section and connect the water supply.
- Remove the nozzle extension from the gun.
- Pull the trigger on the gun and hold.

To remove the contaminants from the pump, follow these steps:

- Set up the pressure washer as described in the ASSEMBLY section, and connect the water supply.
- Remove the nozzle attachment from the gun.
- Start the engine according to instructions in OPERATION section.
- Pull the trigger on the gun and hold.
- When the water supply is steady and constant, engage the safety latch and refasten the nozzle attachment.

ENGINE MAINTENANCE

CHECKING OIL LEVEL

Oil level should be checked prior to each use or at least every 5 hours of operation. Keep oil level maintained.

CHANGING ENGINE OIL

Change engine oil after first 2 hours then every 25 hours thereafter. If you are using your pressure washer under extremely dirty or dusty conditions, or in extremely hot weather, change oil more often.

Change oil while engine is still warm from running, as follows:

- Disconnect spark plug wire from spark plug and keep it away from spark plug.
- Before you tip the pressure washer to drain oil, drain fuel tank by running pressure washer until fuel tank is empty.
- Clean area around oil fill, remove oil fill cap/dipstick. Wipe dipstick clean.
- Tip your pressure washer to drain oil completely from the oil fill tube into a suitable container. When crankcase is empty, return the pressure washer to upright position.
- Fill engine crankcase with recommended oil until oil level is at FULL point on dipstick. Do not overfill above that mark. POUR SLOWLY.
- When engine crankcase is filled to proper level, install and tighten oil cap/dipstick.

SERVICE AIR CLEANER

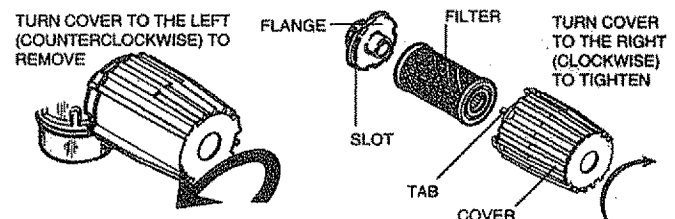
Your engine will not run properly and may be damaged if you run it with a dirty air cleaner.

Replace the air cleaner once every 100 hours of operation or once each year, whichever comes first. Replace more often if operating under dirty or dusty conditions. Replacements are available at your local Sears Authorized Service Center.

Important: Do not attempt to clean or oil filter.

Important: Never run engine without complete air cleaner installed on engine.

To clean or replace the air cleaner, follow these steps:

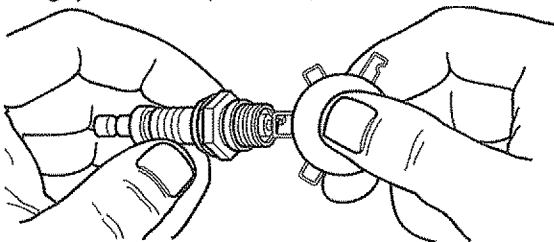


- Turn cover to the left (counterclockwise) and remove it and filter from flange. Discard filter.
- Clean cover and flange thoroughly.
- Insert new filter into cover.
- Position cover and filter firmly against flange with tab on cover inserted into lower left corner of slot in flange.
- Push cover firmly against flange and turn it to the right (clockwise) as far as it will go. Be sure retainers are locked around flange.

CLEAN/REPLACE SPARK PLUG

Change the spark plug every 100 hours of operation or once each year, whichever comes first. This will help your engine to start easier and run better. Replace with champion RN4C or equivalent type spark plug.

- Clean area around spark plug
- Remove and inspect spark plug.
- Replace spark plug if electrodes are pitted, burned or porcelain is cracked. For replacement use Champion RN4C only.
- Check electrode gap with wire feeler gauge and set gap at 0.030 (0.76mm) if necessary.

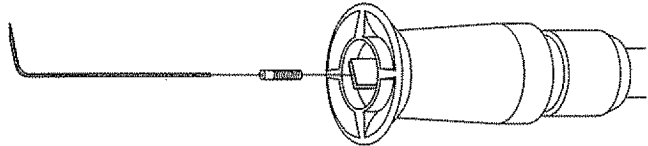


NOZZLE MAINTENANCE

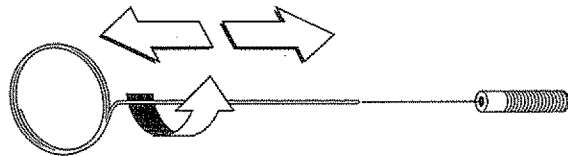
If the nozzle becomes restricted or clogged with foreign materials, such as dirt, excessive pump pressure may develop. A partially clogged nozzle can cause a pulsing sensation during use. This generally is not a pump related problem, but rather a clogged or partially restricted nozzle.

If the nozzle becomes clogged or partially restricted, immediately clean the nozzle with the kit included with your pressure washer by following these instructions:

- Shut off the engine and turn off the water supply.
- Separate the nozzle from the nozzle extension.
- Rotate to stream setting.
- Remove orifice from the end of the nozzle using the allen wrench included with the kit or a 2mm or 5/64 allen wrench.

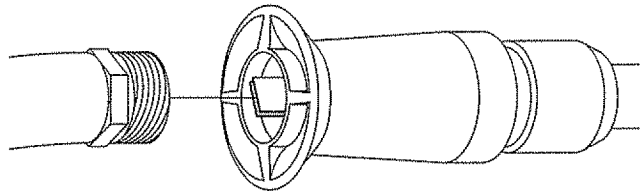


- Use the wire included in the kit or a small paper clip to free the foreign materials clogging or restricting the nozzle.



Insert wire into orifice and turn back and forth to clear obstruction.

- Remove additional debris by back flushing water supply through wand. Back flush between 30 to 60 seconds. Turn wand to stream spray and move nozzle from low to high pressure while flushing.



- Reinstall orifice into nozzle. DO NOT overtighten.
- Reconnect nozzle to nozzle extension.
- Reconnect the water supply, turn ON the water, and start the engine.
- Test the pressure washer by operating with nozzle in the high and the low pressure positions.

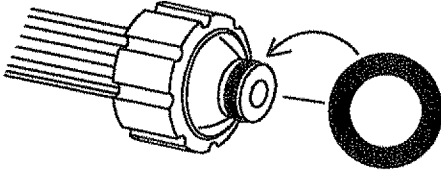
MAINTENANCE

O-RING MAINTENANCE

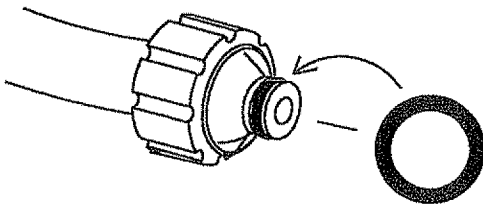
Through the normal operation of your pressure washer, O-Rings, which keep the connections of the hoses and gun tight and leak-free may become worn or damaged. Provided with your pressure washer is an O-Ring Maintenance Kit which provides replacement O-Rings, Rubber Washer and Quick Connect filter.

Parts in the O-Ring Kit Include:

- 2 O-Rings (p/n B2726) for each end of the nozzle extension.

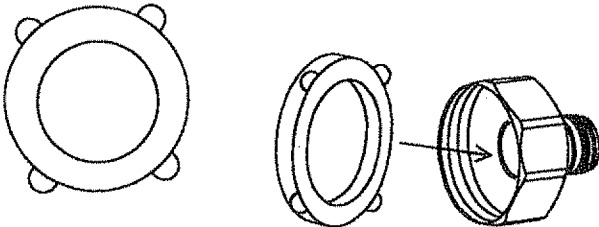


- 2 O-Rings (p/n B2264) for the ends of the high pressure hose.

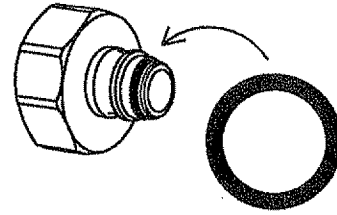


Note: The above two O-Rings are close in size. Please match carefully to assure proper O-Ring usage.

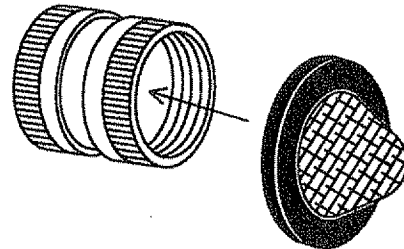
- 1 Rubber Washer (p/n B2385) for the inside of the Male Quick-Connect.



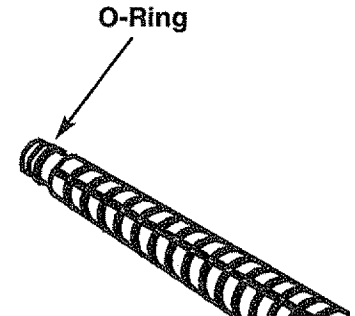
- 1 O-Ring (p/n B2386) for the outside of the Male Quick-Connect.



- 1 Water Inlet Screen (p/n B2384) for the Female Quick-Connect.



- 1 O-ring (p/n B2688) for the connection end of the rotating brush.



To remove a worn or damaged O-Ring:

- Use a small flathead screwdriver to get underneath the O-Ring and pry it off.

STORAGE

AFTER EACH USE

Water should not remain in the unit for long periods of time. Sediments of minerals can deposit on pump parts and “freeze” pump action. Follow these procedures after every use:

- Flush detergent hose by placing the injector filter into a pail of clear water while running Pressure Washer with nozzle in low pressure mode. Flush until you can see clear water running through the tube.
- Shut off the engine and let it cool, then remove all hoses.



WARNING: Be sure throttle lever is in “STOP” position before you continue. If you start engine without the proper water supply connected, you can damage the pump.

- Empty the pump of all pumped liquids by pulling recoil handle about 6 times. This should remove most of the liquid in the pump.
- Coil the high pressure hose and inspect it for damage. Cuts in the hose or fraying of it could result in leaks and loss of pressure. Should any damage be found, replace the hose. DO NOT attempt to repair a damaged hose. Replace the hose with the genuine Craftsman part.
- Drain water from hose and properly hang it on the wire support provided on the guide handle.



DANGER: NEVER store engine with fuel in tank indoors or in enclosed, poorly ventilated areas where fumes may reach an open flame, spark or pilot light as on a furnace, water heater, clothes dryer or other gas appliance.

- Store in a clean, dry area.

WINTER STORAGE

CAUTION: You must protect your unit from freezing temperatures. Failure to do so will permanently damage your pump and render your unit inoperable.

To protect the unit from freezing temperatures:

- Draw RV antifreeze (antifreeze without alcohol) into the pump by pouring the washer fluid into a 3-foot section of garden hose connected to the inlet adapter and pulling the recoil handle twice.

LONG TERM STORAGE

If you do not plan to use the Pressure Washer for more than 30 days, you must prepare the engine for long term storage.

Note: As always, prepare the pressure washer pump as you would after each use.

To avoid engine problems, the fuel system should be emptied before storage of 30 days or longer. Follow these instructions:

PROTECT FUEL SYSTEM

- Remove all gasoline from the fuel tank to prevent gum deposits from forming on these parts and causing possible malfunction of engine.



DANGER: Drain fuel into approved container outdoors, away from open flame. Be sure engine is cool. Do not smoke.

- Run engine until engine stops from lack of fuel. Make sure you have water supply to pump inlet connected and turned ON.

Note: If “Gasohol” has been used, complete above instructions and then put 1/2 pint of unleaded gasoline into fuel tank and repeat above instructions.

Note: Fuel stabilizer (such as STA-BIL) is an acceptable alternative in minimizing the formation of fuel gum deposits during storage. Add stabilizer to gasoline in fuel tank or storage container. Run engine at least 10 minutes after adding stabilizer.

CHANGE OIL

While engine is still warm, drain oil from crankcase. Refill with recommended grade. (See Changing Engine Oil on Page 12.)

OIL CYLINDER BORE

- Remove spark plug and squirt about 1 ounce (30 ml) of engine oil into the cylinder. Cover spark plug hole with rag. Crank slowly to distribute oil.



CAUTION: Avoid spray from spark plug hole when cranking engine slowly.

- Install spark plug. Do not connect spark plug wire.

OTHER

- Do not store gasoline from one season to another.
- Replace your gasoline can if your can starts to rust. Rust and/or dirt in your gasoline will cause problems.
- If possible, store your unit indoors and cover it to give protection from dust and dirt. **BE SURE TO EMPTY THE FUEL TANK.**
- Cover your unit with a suitable protective cover that does not retain moisture.

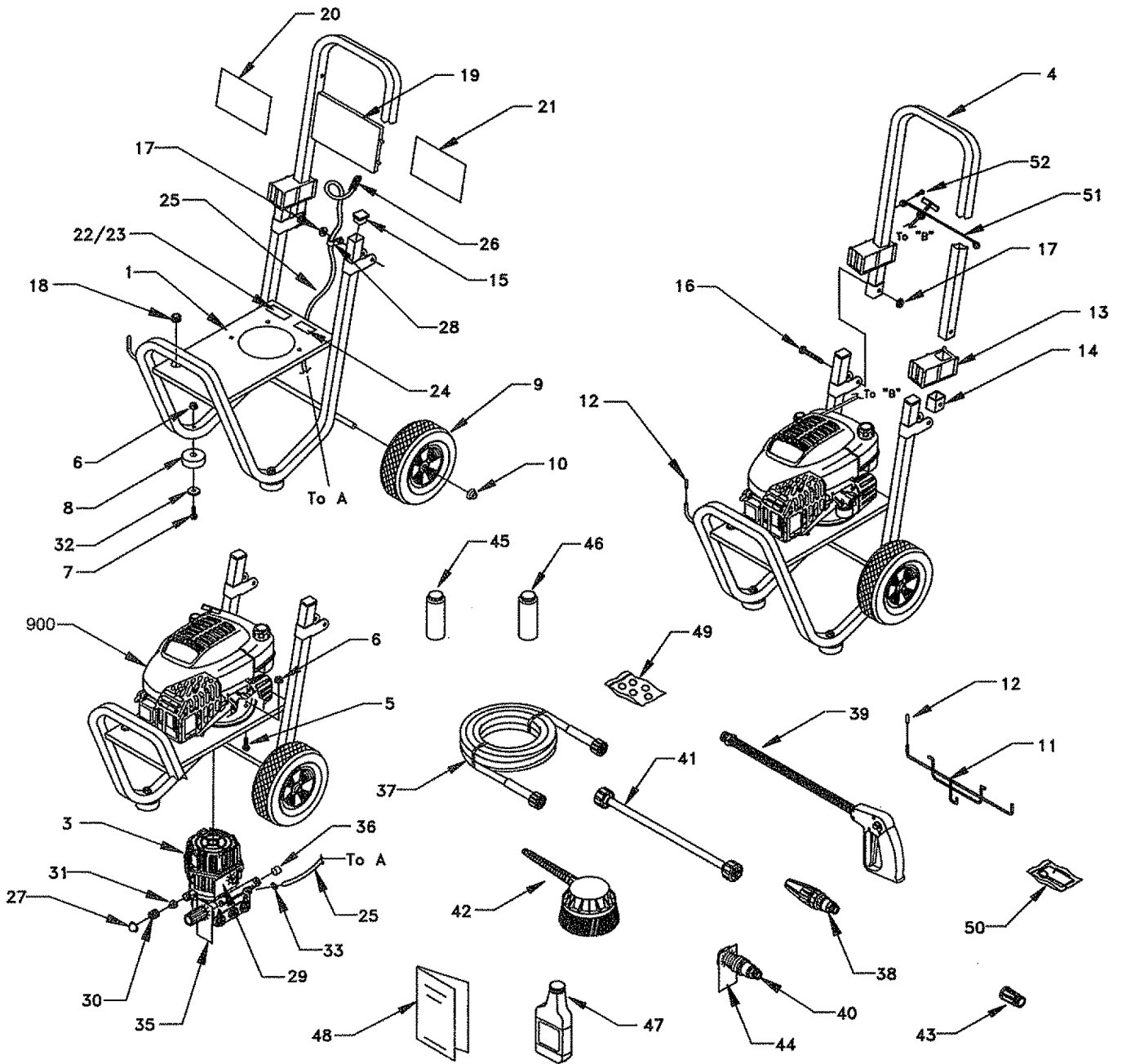
IMPORTANT: NEVER cover your pressure washer while engine and exhaust area are warm.

TROUBLESHOOTING

PROBLEM	CAUSE	CORRECTION
<p>Pump has following problems: failure to produce pressure, or erratic pressure, chattering, loss of pressure, low water volume.</p>	<ol style="list-style-type: none"> 1. Nozzle in low pressure mode. 2. Water inlet is blocked. 3. Inadequate water supply 4. Inlet hose is kinked or leaking 5. Clogged water inlet screen. 6. Water supply is over 140°F. 7. Outlet hose is blocked. 8. Outlet hose leaks. 9. Gun leaks. 10. Nozzle is obstructed. 11. Pump is faulty. 	<ol style="list-style-type: none"> 1. Pull nozzle backward for high pressure mode. 2. Clear inlet 3. Provide adequate water flow at least 2.2 gpm. 4. Straighten inlet hose, patch leak. 5. Replace / clean water inlet screen. 6. Provide cooler water supply. 7. Clear blocks in outlet hose. 8. Replace outlet hose if leaking. 9. Replace O-ring or gun if necessary. 10. Clear nozzle. 11. Contact Sears Service Department.
<p>Detergent fails to mix with spray.</p>	<ol style="list-style-type: none"> 1. Detergent line is not submerged in detergent spray 2. Chemical filter is clogged. 3. Nozzle is in high pressure mode. 	<ol style="list-style-type: none"> 1. Insert chemical line into detergent. 2. Clean or replace filter/detergent line. 3. Push nozzle forward for low pressure mode.
<p>Engine runs good when not spraying but dies when you begin to spray.</p>	<p>Engine speed is too slow.</p>	<p>Contact Sears Service Department.</p>
<p>Engine will not start; or starts and runs rough</p>	<ol style="list-style-type: none"> 1. Dirty air cleaner 2. Out of gasoline. 3. Stale gasoline. 4. Spark plug wire not connected to spark plug. 5. Bad spark plug. 6. Water in gasoline. 7. Overchoking or flooded 8. Excessively rich fuel mixture. 9. Intake valve stuck open or closed. 10. Engine has lost compression. 	<ol style="list-style-type: none"> 1. Clean or replace air cleaner. 2. Fill fuel tank. 3. Drain gas tank; fill with fresh fuel. 4. Connect wire to spark plug. 5. Replace spark plug. 6. Drain gas tank; fill with fresh fuel. 7. Set engine throttle control lever to fast position, choke in run position. 8. Contact Sears Service Department. 9. Contact Sears Service Department. 10. Contact Sears Service Department.
<p>Engine shuts down during operation</p>	<ol style="list-style-type: none"> 1. Out of gasoline. 2. Air filter dirty 	<ol style="list-style-type: none"> 1. Fill fuel tank. 2. Replace Air filter.
<p>Engine lacks power.</p>	<p>Dirty air filter.</p>	<p>Replace air filter.</p>

PARTS

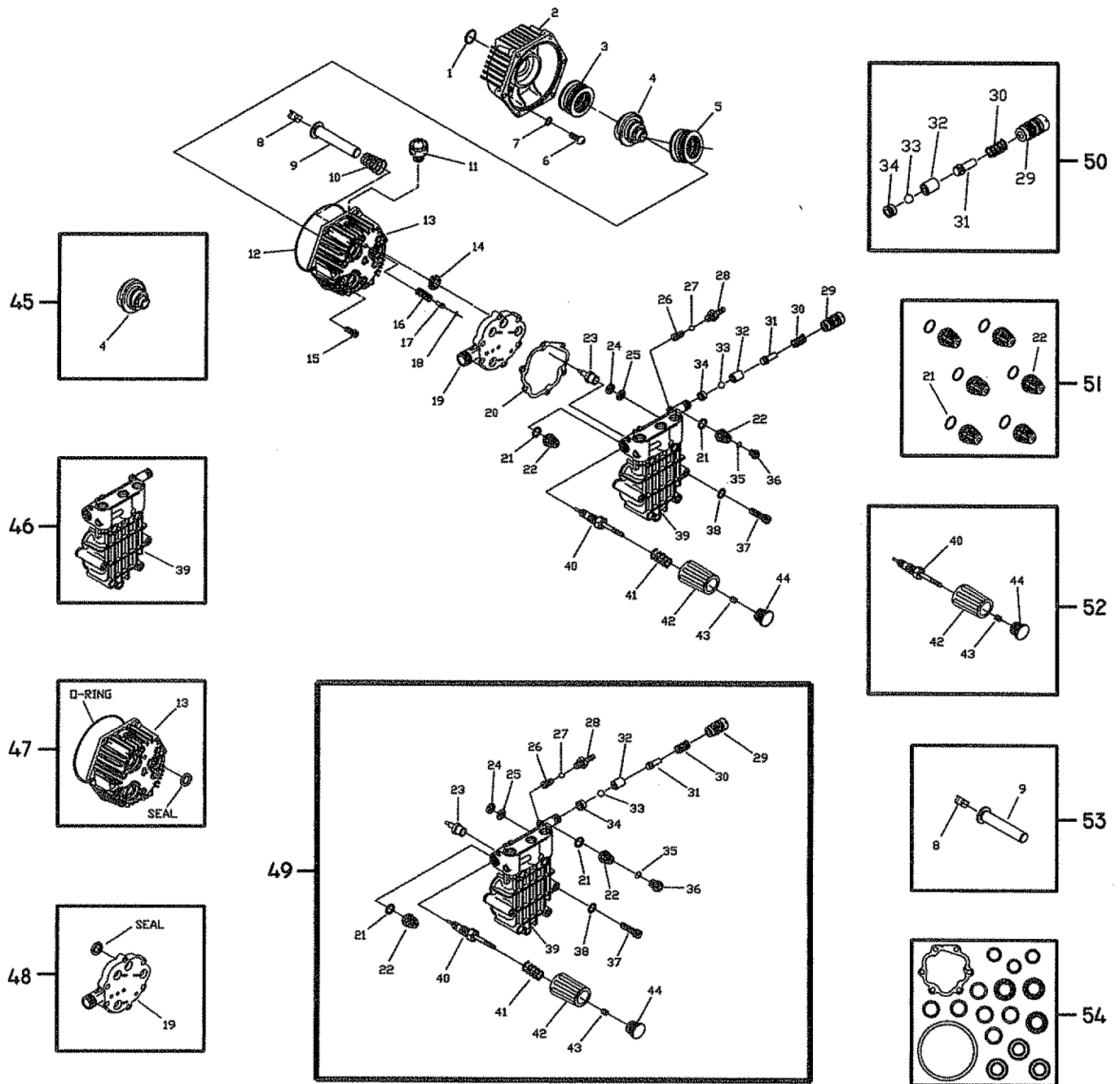
CRAFTSMAN 2200 PSI HIGH PRESSURE WASHER 580.762202



CRAFTSMAN 2200 PSI HIGH PRESSURE WASHER 580.762202

<u>ITEM</u>	<u>PART NO.</u>	<u>QTY.</u>	<u>DESCRIPTION</u>	<u>ITEM</u>	<u>PART NO.</u>	<u>QTY.</u>	<u>DESCRIPTION</u>
1	EB2528	1	BASE, VSPW	37	B1969	1	HOSE, 1/4" x 25'
3	NSP	1	PUMP, Medium Frame	38	B1974G	1	TURBO, Nozzle
4	EB2534	1	HANDLE	39	B2370	1	GUN, High Pressure
5	39414	3	HHCS, M8 x 35	40	95587E	1	NOZZLE, Adjustable
6	52858	5	NUT, M8 Locking Flange	41	97123	1	WAND, Extension
7	39287	2	HHCS, M8 x 45	42	88176A	1	BRUSH, Rotating
8	27007	2	MOUNT, Rubber Foot	43	88935	1	ADAPTER, Brush
9	B2142	2	WHEEL, 2" x 9" Black Mag	44	97566	1	TAG, Nozzle
10	75402	2	PUSHNUT, 1/2"	45	B1736	1	WASH, Vehicle/Boat
11	B2168	1	HANGER, Hose	46	B1736A	1	WASH, House/Multi Purpose
12	B1460	3	CAP, Vinyl	47	96382	1	OIL, Engine SAE 30
13	B1779	2	COVER, Hinge	48	B3412	1	MANUAL, Owners
14	B2347	2	CAP, End	49	B2730	1	KIT, O-Ring Maintenance
15	46476	2	CAPLUG	50	97009	1	KIT, Nozzle Cleaning
16	51767	2	HHCS, M6 - 1.0 x 45	51	B3073	1	GUIDE, Recoil Rope
17	52857	2	NUT, M6 Locking Flange	52	20441	2	SCREW, Self Drill 1/4" x 3/4"
18	92235	1	GROMMET, Turbo Nozzle	900	B2619	1	ENGINE, Tecumseh OHV 6.75HP, 143.986714
19	B1631A	1	BILLBOARD	Optional Accessories Not Illustrated			
20	B2623	1	DECAL, Craftsman 2200 PSI	71-75187			Garden Hose Quick Connect
21	B2626	1	DECAL, Instructions	71-75197			Accessory Quick Connect Kit
22	91373	1	DECAL, Data	71-75199			Rotating Brush
23	79552	1	OVERLAMINATE	71-76430			Floor/Siding Brush
24	96307	1	DECAL, 1-800 #	71-76431			Utility Brush
25	A1040B	1	HOSE, Chemical	71-75115			Replacement Hose
26	A1041	1	FILTER, Chemical Hose	71-76450			25' Extension Hose
27	A1408	1	CAP, Garden Hose Inlet	71-76451			50' Extension Hose
28	B1232	1	CLAMP, Hose 7/16"	71-75116			O Ring Kit
29	B1288	1	TAG, Breather Cap	71-76400			House wash
30	21782	1	QUICK DISCONNECT, Female	71-76401			Deckwash
31	21781	1	QUICK DISCONNECT, Male	71-76402			Vehicle / Boat Wash
32	50190	2	WASHER, M8 Flat	71-76403			Deck Wash
33	48031	1	CLAMP, Hose 3/16"				
35	97054	1	TAG, Pressure Adjust				
36	97100	1	CAP, High Pressure				

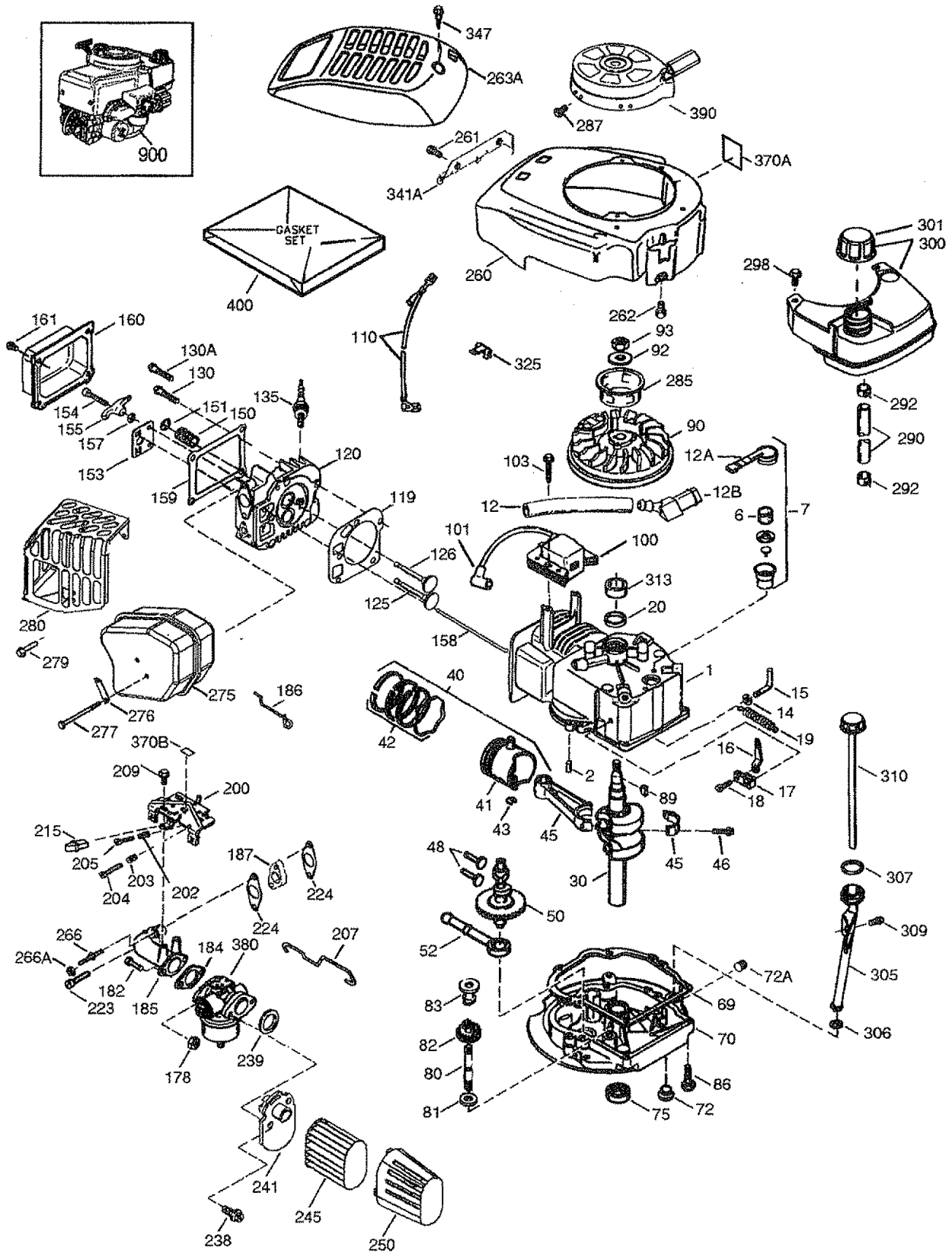
CRAFTSMAN 2200 PSI HIGH PRESSURE WASHER 580.762202



CRAFTSMAN 2200 PSI HIGH PRESSURE WASHER 580.762202

<u>Item</u>	<u>Part #</u>	<u>Qty</u>	<u>Description</u>	<u>Item</u>	<u>Part #</u>	<u>Qty</u>	<u>Description</u>
1	B2218	1	O-RING, 1.625" x 0.103	29	B2451	1	VENTURI ASSEMBLY
2	B2260	1	ADAPTER, Engine	30	B2151	1	SPRING, Check Valve
3	96542	1	BEARING, Eng. Adptr. Roller Thrust 4 x 4	31	B1879	1	SHUTTLE PISTON ASSEMBLY
4	B3328	1	CAM, Axial 6.0 Lift	32	A2503	1	SEAT, Trapped Line Pressure
5	97606	1	BEARING, Axial Cam Roller Thrust 5.5 x 4	33	A2015	1	BALL, Stainless Steel 9/32 Dia.
6	B2261B	4	SCREW, Button Hd 5/16 - 24 x 3/4" Lg	34	B2152	1	BALL SEAT ASSEMBLY
7	B2217	4	O-RING, 0.239 ID x 0.070	35	97840	3	"O" RING, Chk Valve Cap15.6 x 19.16 x 1.78
8	94944	3	SHOE, Piston Pivot	36	97841	3	CAP, Outlet Port
9	99427	3	ASSEMBLY, Ceramic Piston & Cap	37	A2013	6	BOLT, Head M8 x 1.25 x 70mm Lg
10	96400	3	SPRING, Piston Return	38	B2665	6	WASHER, Steel Special
11	99735	1	ASSEMBLY, Breather	39	B3148	1	HEAD ASSEMBLY
12	93790	1	"O" RING, Crankcase 113.97 x 119.21 x 2.62	40	B3185	1	"O" RING SPINDLE ASSEMBLY
13	B2016	1	CRANKCASE ASSEMBLY	41	A1716	1	SPRING, Unloader
14	93668	3	SPACER, Pilot	42	B3117	1	HANDLE, Unloader
15	40945	6	SCREW, SHC M6 x 1.0 x 20 mm Lg	43	A2014	1	SET SCREW, M6 - 1.0 x 8mm
16	93652	1	SPRING, Thermal Relief Actuator	44	B2241	1	CAP, Plastic
17	95416	1	PISTON, Thermal Relief Actuator	45	B3481	0	CAM ASSEMBLY, 6.0 LIFT
18	93876	1	"O" RING, Thermal Relief 2.9 x 6.5 x 1.78	46	B3507	0	HEAD ASSEMBLY
19	B2015	1	SPACER ASSEMBLY	47	B3508	0	CRANKCASE ASSEMBLY
20	A2069	1	GASKET, Head	48	B3509	0	SPACER PLATE ASSEMBLY
21	97934	6	O - RING, Check Valve	49	B3480	0	COMPLETE HEAD ASSEMBLY
22	B1449	6	CHECK VALVE, Inlet and Outlet	50	B3510	0	HIGH PRESSURE OUTLET ASSEMBLY
23	93644	1	ACTUATOR, Thermal Relief	51	B3513	0	CHECK VALVE ASSEMBLY, 6 pkg.
24	96053	3	SEAL, High Pressure	52	B3479	0	UNLOADER SPINDLE ASSEMBLY
25	96015	3	RING, Bearing	53	B3478	0	PISTON ASSEMBLY
26	95380	1	SPRING, Chemical Injector	54	B3514	0	O-RING/SEAL KIT
27	95379	1	BALL, 5.5 dia. Chemical Injector				
28	A1575	1	BARB HOSE, Brass with Nylon Insert				

CRAFTSMAN 2200 PSI HIGH PRESSURE WASHER 580.762202
Tecumseh 4-Cycle Engine 143.986714



CRAFTSMAN 2200 PSI HIGH PRESSURE WASHER 580.762202

Tecumseh 4-Cycle Engine 143.986714

Item	Part#	Description	Qty.	Item	Part#	Description	Qty.
1	36835A	Cylinder (Incl. 2 & 20)	1	69	37130	Mounting Flange Gasket	1
2	26727	Dowel Pin	2	70	37190	Mounting Flange	
6	33734	Breather Element	1			(Incl. 72 thru 83,306)	1
7	36557	Breather Ass'y.		72	36083	Oil Drain Plug	1
		(Incl. 6 & 12A)	1	72A	28534	Oil Drain Plug	1
12	32447	Breather Tube	1	75	28460	Oil Seal	1
12A	36558	Breather Cover & Tube		80	30574A	Governor Shaft	1
		(encl. 12B)	1	81	30590A	Washer	1
12B	36694	Breather Tube Elbow	1	82	30591	Governor Gear Ass'y.	
14	28277	Washer	1			(Incl. 81)	1
15	30589	Governor Rod (Incl. 14)	1	83	30588A	Governor Spool	1
16	34839A	Governor Lever	1	86	650488	Screw, 1/4-20 x 1-1/4"	6
17	31335	Governor Lever Clamp	1	89	610961	Flywheel Key	1
18	651018	Screw, Torx T-15, 8-32 x 19/64"	1	90	611213	Flywheel	1
			1	92	650815	Belleville Washer	1
19	36281	Extension Spring	1	93	650816	Flywheel Nut	1
20	32600	Oil Seal	1	100	34443B	Solid State Ignition	1
30	37208	Crankshaft	1	101	610118	Spark Plug Cover	1
40	35544A	Piston, Pin & Ring Set		103	651007	Screw, Torx T-15,	
		(Std.)	1			10-24 x 15(16"	2
40	35545A	Piston, Pin & Ring Set		110	36230	Ground Wire	1
		(.010" OS)	1	119	36738	Cylinder Head Gasket	1
40	35546	Piston, Pin & Ring Set		120	36721	Cylinder Head	1
		(.020" OS)	1	125	36471	Exhaust Valve (Std.)	
41	35541	Piston & Pin Ass'y. (Std.)	1			(Incl. 151)	1
41	35542	Piston & Pin Ass'y.		125	36472	Exhaust Valve (1/32" OS)	
		(.010" OS) (Incl. 43)	1			(Incl. 151)	1
41	35543	Piston & Pin Ass'y.		126	29314B	Intake Valve (Std.)	
		(.020" OS) (Incl. 43)	1			(Incl. 151)	1
42	35547A	Ring Set (Std.)	1	126	29315C	Intake Valve (1/32" OS)	
42	35548A	Ring Set (.010" OS)	1			(Incl. 151)	1
42	35549	Ring Set (.020" OS)	1	130	650912	Screw, 5/16-18 x 1-1/2"	4
43	20381	Piston Pin Retaining Ring	2	130A	650999	Screw, 5/16-18 x 2-41/64"	1
45	32B75A	Connecting Rod Ass'y.		135	34645	Resistor Spark Plug	
		(Zncl. 46)	1			(RN4C)	1
46	32610A	Connecting Rod Bolt	2	150	31672	Valve Spring	2
48	35616	Valve Lifter	2	151	31673	Valve Spring Cap	2
50	37011	Camshaft (MCR)	1	153	36649	Push Rod Guide	1
52	29914	Oil Pump Ass'y.	1	154	650913	Rocker Arm Stud	1

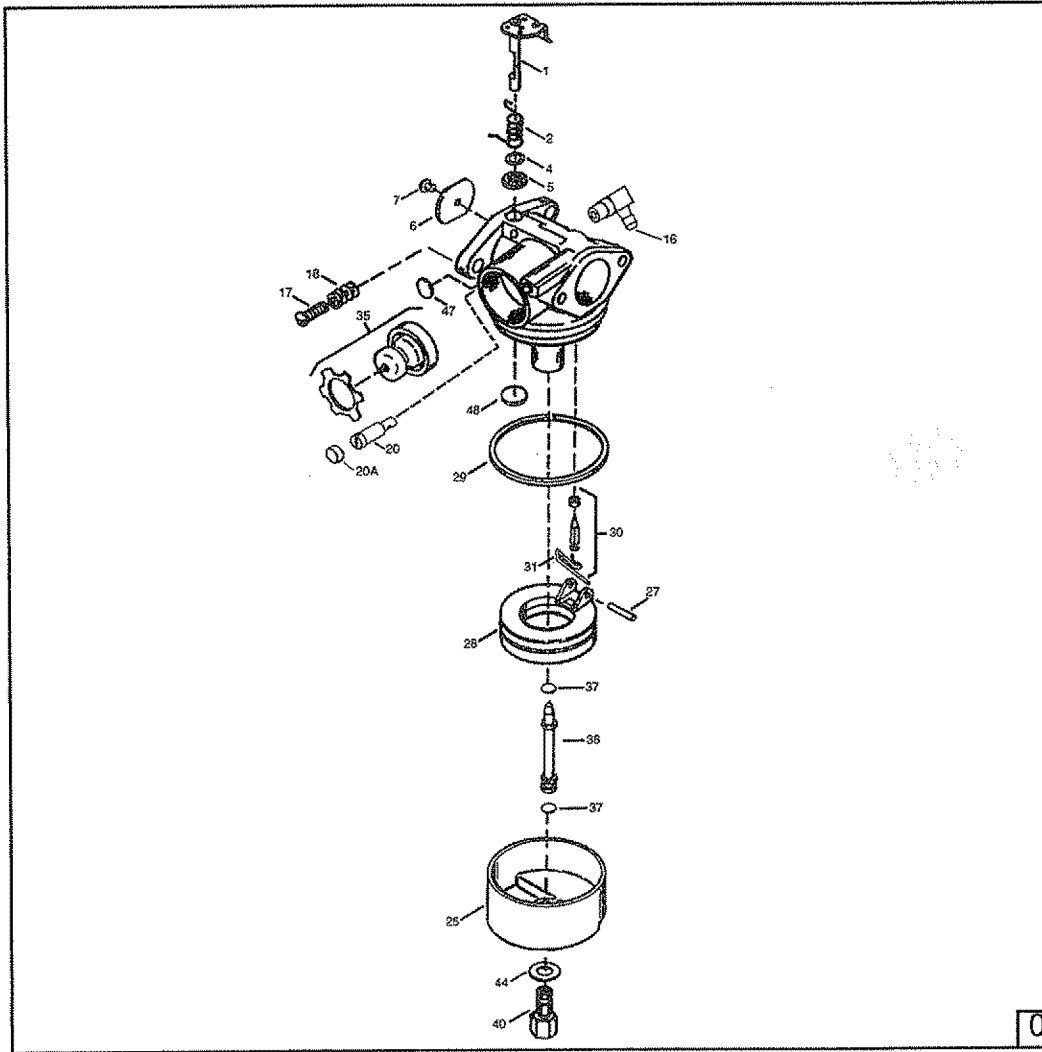
PARTS LIST

CRAFTSMAN 2200 PSI HIGH PRESSURE WASHER 580.762202

Tecumseh 4-Cycle Engine 143.986714

Item	Part#	Description	Qty.	Item	Part#	Description	Qty.
155	35624A	Rocker Arm	1	262	650831	Screw, 1/4-20 x 1/2"	2
157	650914	Lock Nut	1	263A	37184	Starter Grill	1
15B	36629	Push Rod	2	266	651040	Stud, 1/4-20	1
159	35626	Rocker Arm Cover Gasket	1	266A	650852	Nut E Lockwasher, 1/4-20	1
160	35718	Rocker Arm Housing	1	275	36950	Muffler (Incl. 276 & 277)	1
161	30063	Screw, Torx T-30, 1/4-20 x 1/2"	4	276	36949	Locking Plate	1
178	29752	Nut &. Lock Washer, 1/4-28	2	277	651039	Screw, 1/4-20 x 2-47/64"	2
182	30088A	Screw, 1/4-28 x 1"	2	279	650431	Screw, Torx T-25, 10-32 x 5/8"	1
184	26756	Carburetor Gasket	1	280	37210	Heat Shield	1
185	36579	Intake Pipe	1	285	3500QA	Starter Cup	1
186	34337	Governor Link	1	287	650926	Screw, 8-32 x 21/64"	2
187	36580	Spacer	1	290	29774	Fuel Line	1
200	35727	Control Bracket (Zncl. 202 thru 205)	1	292	26460	Fuel Line Clamp	2
202	36482	Compression Spring	1	298	28763	Screw, 10-32 x 35/64"	2
203	31342	Compression Spring	1	300	36916	Fuel Tank (Incl. 292 & 301)	1
204	651029	Screw, Torx T-10, 5-40 x 7/16"	1	301	36246	Fuel Cap	1
205	651019	Screw, Torx T-10, 6-32 x 41/64"	1	305	35647	Oil Fill Tube	1
207	34336	Throttle Link	1	306	36996	"O"-Ring	1
209	30200	Screw, 10-24 x 9/16"	1	307	35499	"O"-Ring	1
215	32410	Control Knob 1	1	309	650562	Screw, 10-32 x 1/2"	1
223	651044	Screw, 1/4-20 x 2-25/32"	1	310	35648	Dipstick	1
224	36581	Intake Pipe Gasket	2	313	34080	Spacer	1
238	650932	Screw, 10-32 x 49/64"	2	325	29443	Spring Clip	1
239	34338	Air Cleaner Gasket	1	341A	36578	Blower Housing	1
241	36919	Air Cleaner Collar	1	347	651038	Support Bracket	1
245	36905	Air Cleaner Filter	1	370A	36261	Screw, 10-32 x 27/32"	1
250	36920	Air Cleaner Cover	1	370B	35169	Lubrication Decal	2
260	37180	Blower Housing	1	380	640147	Control Decal	1
261	30063	Screw, Torx T-30, 1/4-20 x 1/2"	2	390	590739	Carburetor (Incl. 184)	1
				900	0	Rewind Starter	1
				900	0	Replacement Engine	0
				900	0	Replacement S/B 750835, order from 71-999	1

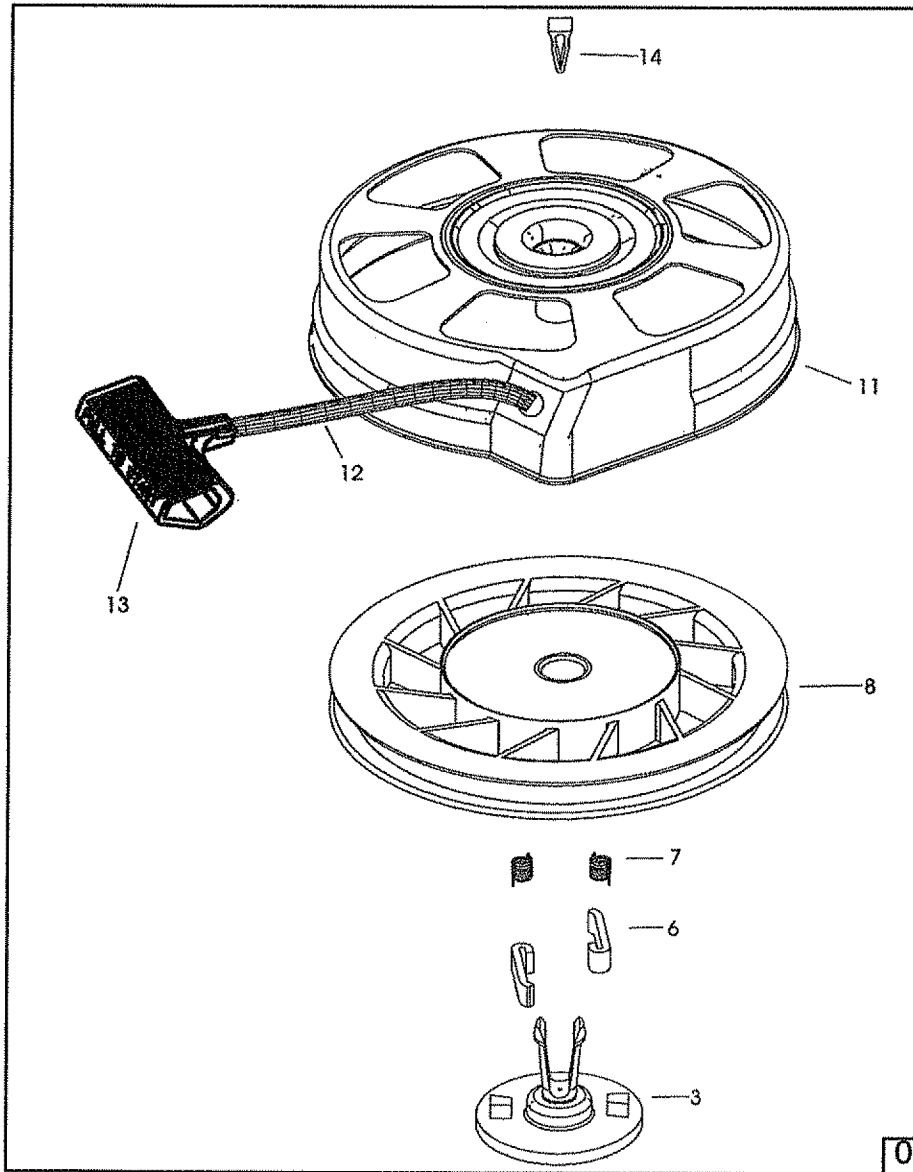
CRAFTSMAN 2200 PSI HIGH PRESSURE WASHER 580.762202
Tecumseh 4-Cycle Engine 143.986714



Item	Part#	Description	Qty.	Item	Part#	Description	Qty.
0	640147	Carburetor (Incl. 184 of Engine Parts List)	1	25	631867	Float Bowl	1
1	631615	Throttle Shaft & Lever Assembly	1	27	631024	Float Shaft	1
2	631767	Throttle Return Spring	1	28	632019	Float	1
4	631184	Dust Seal Washer	1	29	631028	Float Bowl "O" Ring	1
5	631183	Dust Seal (Throttle)	1	30	631021	Inlet Needle, Seat, k Clip (Incl. 31)	1
6	640070	Throttle Shutter	1	31	631022	Spring Clip	1
7	650506	Shutter Screw	1	35	36045A	Primer Bulb/Retainer Ring	1
16	631807	Fuel Fitting	1	36	632745	Main Nozzle Tube	1
17	651025	Throttle Crack Screw/Idle Speed Screw	1	37	632547	Main Nozzle Tube "O" Ring	2
18	630766	Tension Spring	1	40	640083	High Speed Bowl Nut	1
20	640016	Idle Restrictor Screw	1	44	27110	Bowl Nut Washer	1
20A	640053	Idle Restrictor Screw Cap	1	47	630748	Welch Plug, Idle Mixture Well	1
				48	631027	Welch Plug, Atmospheric Vent	1

CRAFTSMAN 2200 PSI HIGH PRESSURE WASHER 580.762202

Tecumseh 4-Cycle Engine 143.986714



Item	Part#	Description	Qty.
0	590739	Rewind Starter	1
3	590740	Retainer	1
6	590616	Starter Dog	2
7	590617	Dog Spring	2
8	590618A	Pulley k Rewind Spring Ass'y	1
11	59063B	Starter Housing Ass'y (40 degree grommet)	1
12	590535	Starter Rope (Length 98" x 9(64" dia.)	1
13	590701	Starter Handle	1
14	590741	Locking Tab	1

For in-home major brand repair service:

Call 24 hours a day, 7 days a week

1-800-4-MY-HOMESM (1-800-469-4663)

Para pedir servicio de reparación a domicilio – 1-800-676-5811

In Canada for all your service and parts needs call – **1-800-665-4455**
Au Canada pour tout le service ou les pièces

For the repair or replacement parts you need:

Call 7 am – 7 pm, 7 days a week

1-800-366-PART (1-800-366-7278)

Para ordenar piezas con entrega a domicilio – 1-800-659-7084

For the location of a Sears Parts and Repair Center in your area:

Call 24 hours a day, 7 days a week

1-800-488-1222

**For information on purchasing a Sears Maintenance Agreement
or to inquire about an existing Agreement:**

Call 9 am – 5 pm, Monday – Saturday

1-800-827-6655



The Service Side of SearsSM