

Operators Manual



12 Cu. Ft. Heaped
1,000-Pound Capacity
Removable Tail Gate

EASY DUMP CART

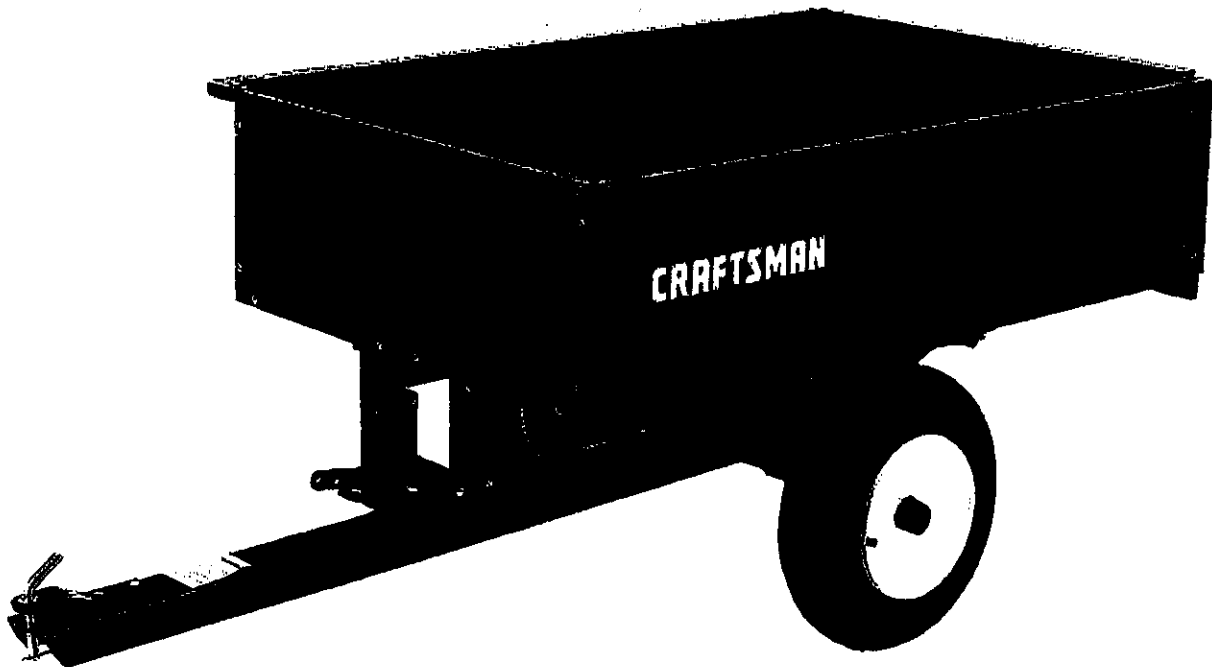
Model No. 610.243551



If there are any missing parts please call
1-800-652-2321.

All fasteners are readily available through any
hardware store.

Any questions on assembly, missing parts,
operation, maintenance or safety, please call
the above toll free number.



CAUTION:

Before using this product, read this
Manual and follow all it's Safety Rules
and Operating Instructions.

- Safety
- Assembly
- Operation
- Maintenance
- Parts

Sears, Roebuck and Co., Hoffman Estates, IL 60179 U.S.A.
Visit our Craftsman website: www.sears.com/craftsman

243551-REV-D
9 / 02

TABLE OF CONTENTS

- Safety Instructions
- Tools Required for Assembly
- Maintenance / Storage
- Operation
- Assembly Instructions
- Parts
- Warranty Information

MAINTENANCE / STORAGE

- Periodically check all nuts and bolts for tightness.
- Check tires pressure regularly. 30 p.s.i. is recommended.
- Grease Wheels at Axle for longer life.
- Keep Cart clean and dry to prevent rust and corrosion.
- Store inside a clean, dry area when not in use.

SAFETY INSTRUCTIONS

- Read this Manual before assembling Cart.
- Never exceed load capacity of Cart - 1000 lbs.
- When operating on slopes, use lowest ground speed and limit load to 200 lbs.
- Do not carry passengers in Cart.
- Do not use this Cart on public roads.
- Operate up and down slopes, never across the face of slopes.
- Avoid sudden turns or maneuvers.

OPERATION

- With Cart Body attached to tractor, remove Tailgate, and then pull up on Cart Latch. Cart Body will tilt backwards, dumping contents. Once empty, replace Tailgate then pull Cart Body down until it latches.
- Make sure you use the Safety Pin with the Hitch Pin when attaching to the Tractor.
- Follow all operating instructions in your Tractors Owners manual.

TOOLS REQUIRED FOR ASSEMBLY

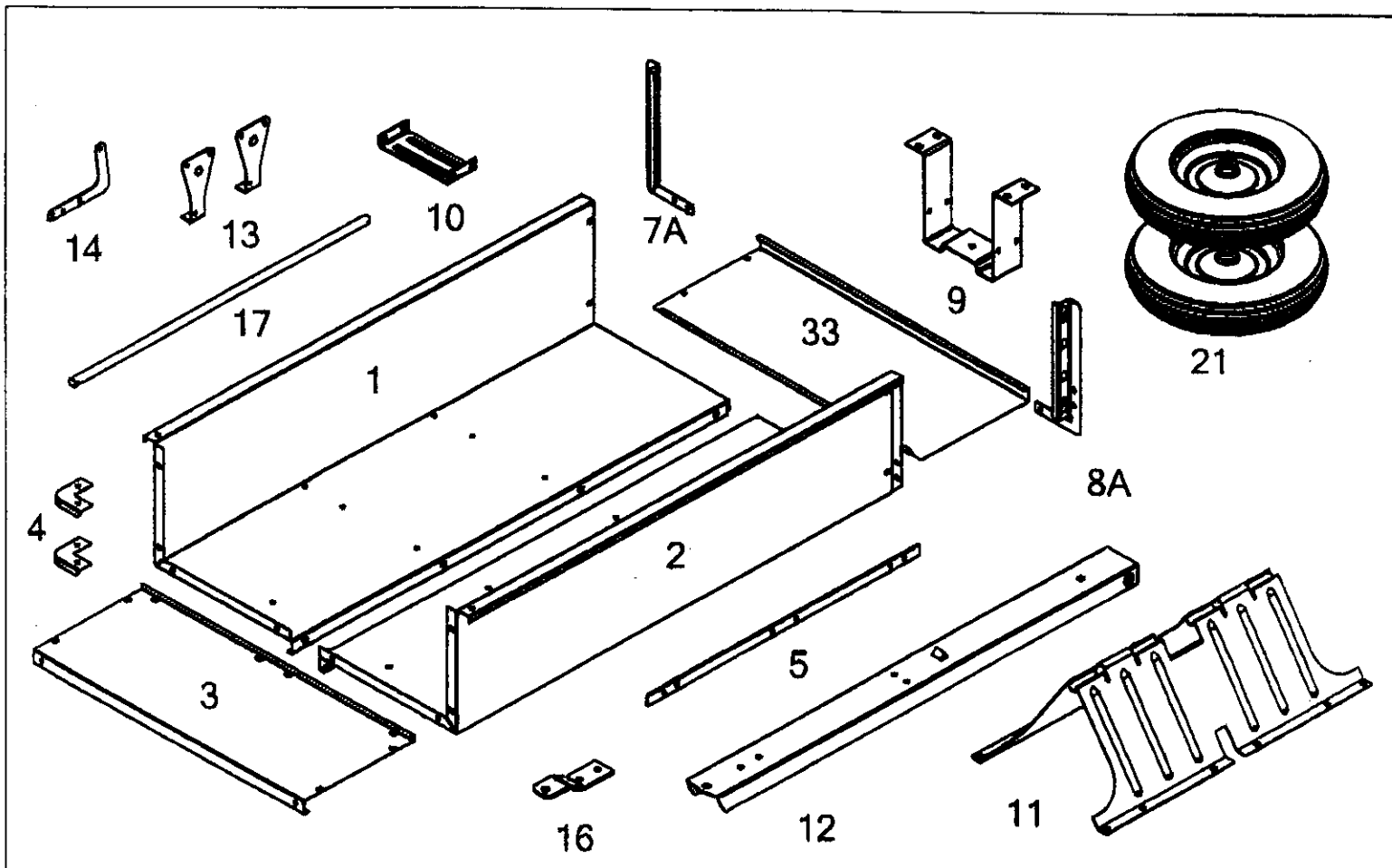
- 7/16" Wrench and / or Socket.
- 1/2" Wrench and / or Socket.
- 9/16" Wrench and / or Socket.
- Large Blade Head Screw Driver.
- Vise Grip Wrench.

ASSEMBLY INSTRUCTION

- Before beginning to assemble, layout and identify all parts and hardware.
- Read all assembly instructions, pages 3 - 9 before beginning to assemble Cart.
- Some assembly may require two people.

FOR MISSING PARTS, Call 1-800-652-2321
Mon. - Fri., 8 a.m. - 5 p.m. E.S.T.

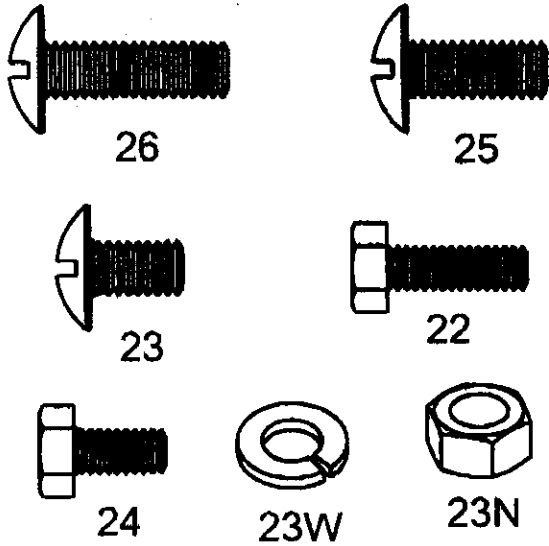
CARTON CONTENTS



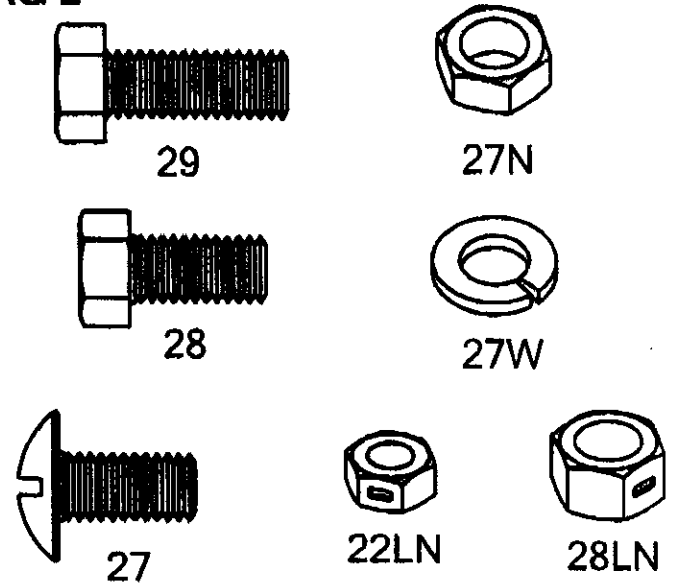
REF.NO.	QTY	DESCRIPTION	REF.NO.	QTY.	DESCRIPTION
1	1	Right Body Half	11	1	Axle Holder
2	1	Left Body Half	12	1	Drawbar
3	1	Front Gate	13	2	Latch Post
4	2	Comer	14	1	Latch
5	1	Rear Support Bar	16	1	Hitch Bracket
			17	1	Axle
7A	1	Gate Retainer - Right	21	2	Wheel
8A	1	Gate Retainer - Left	33	1	Tail Gate
9	1	Front Support	34	1	Owners Manual - not shown
10	1	Brace	BB	1	Bolt Bag - Not Shown

FOR MISSING PARTS, Call 1-800-652-2321
Mon - Fri, 8 a.m. - 5 p.m. E.S.T.

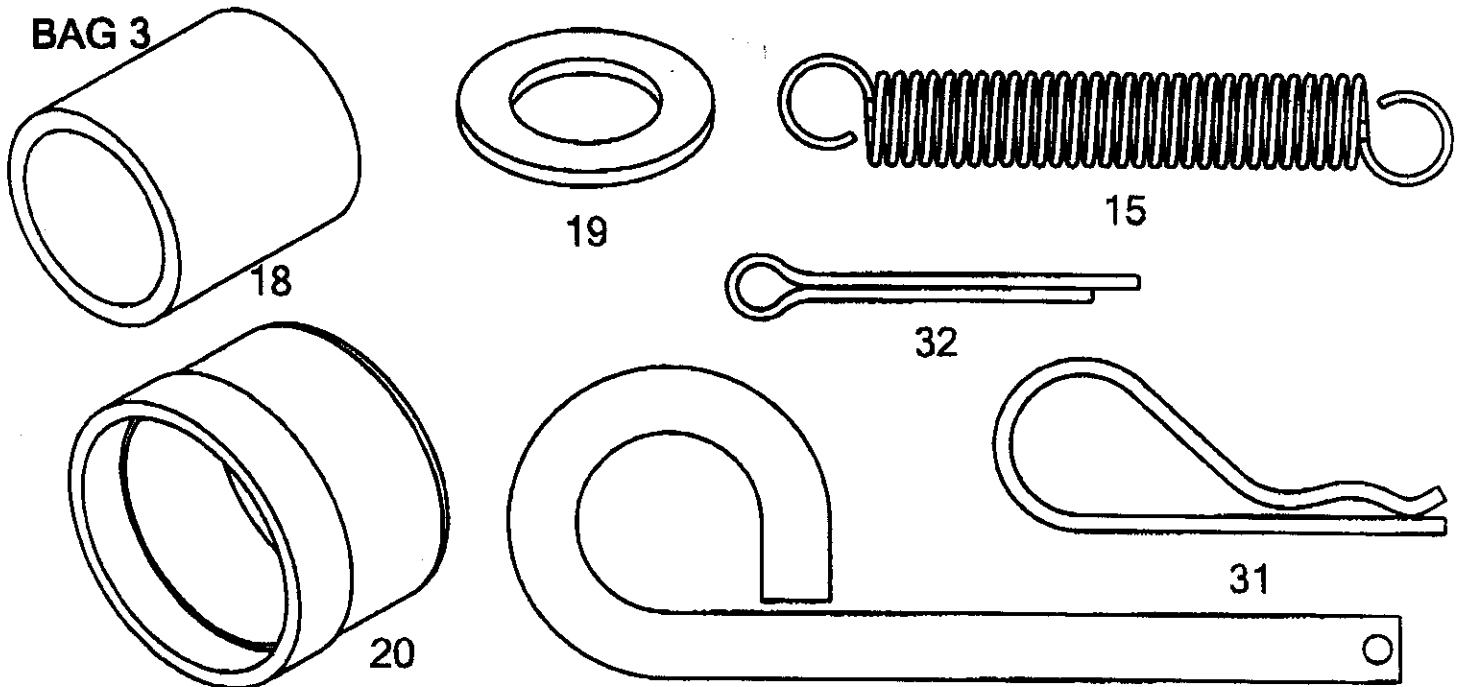
BAG 1



BAG 2



BAG 3



BOLT BAG CONTENTS

REF.NO.	QTY.	DESCRIPTION	REF.NO.	QTY.	DESCRIPTION
15	1	Latch Spring	26	4	Bolt 5/16" x 1" Pan Head
18	2	PVC Spacer	27	4	Bolt 3/8" x 3/4" Pan Head
19	4	Axle Washer 3/4"	27W	6	Split Lock Washer 3/8"
20	2	Hub Cap	27N	6	Hex Nut 3/8"
22	2	Bolt 1/4" x 3/4" Hex Head	28	6	Bolt 3/8" x 3/4" Hex Head
22LN	2	Lock Nut 1/4"	28LN	6	Lock Nut 3/8"
23	12	Bolt 5/16" x 1/2" Pan Head	29	2	Bolt 3/8" x 1" Hex Head
23W	42	Split Lock Washer 5/16"	30	1	Hitch Pin (HP-3)
23N	42	Hex Nut 5/16"	31	1	Hair Pin Cotter
24	4	Bolt 5/16" x 1/2" Hex Head	32	2	Cotter Pin 1/8" x 1 1/2"
25	22	Bolt 5/16" x 3/4" Pan Head			

FOR MISSING PARTS, Call 1-800-652-2321, Mon - Fri, 8 a.m. - 5 p.m. E.S.T.

1. Body Half Assembly

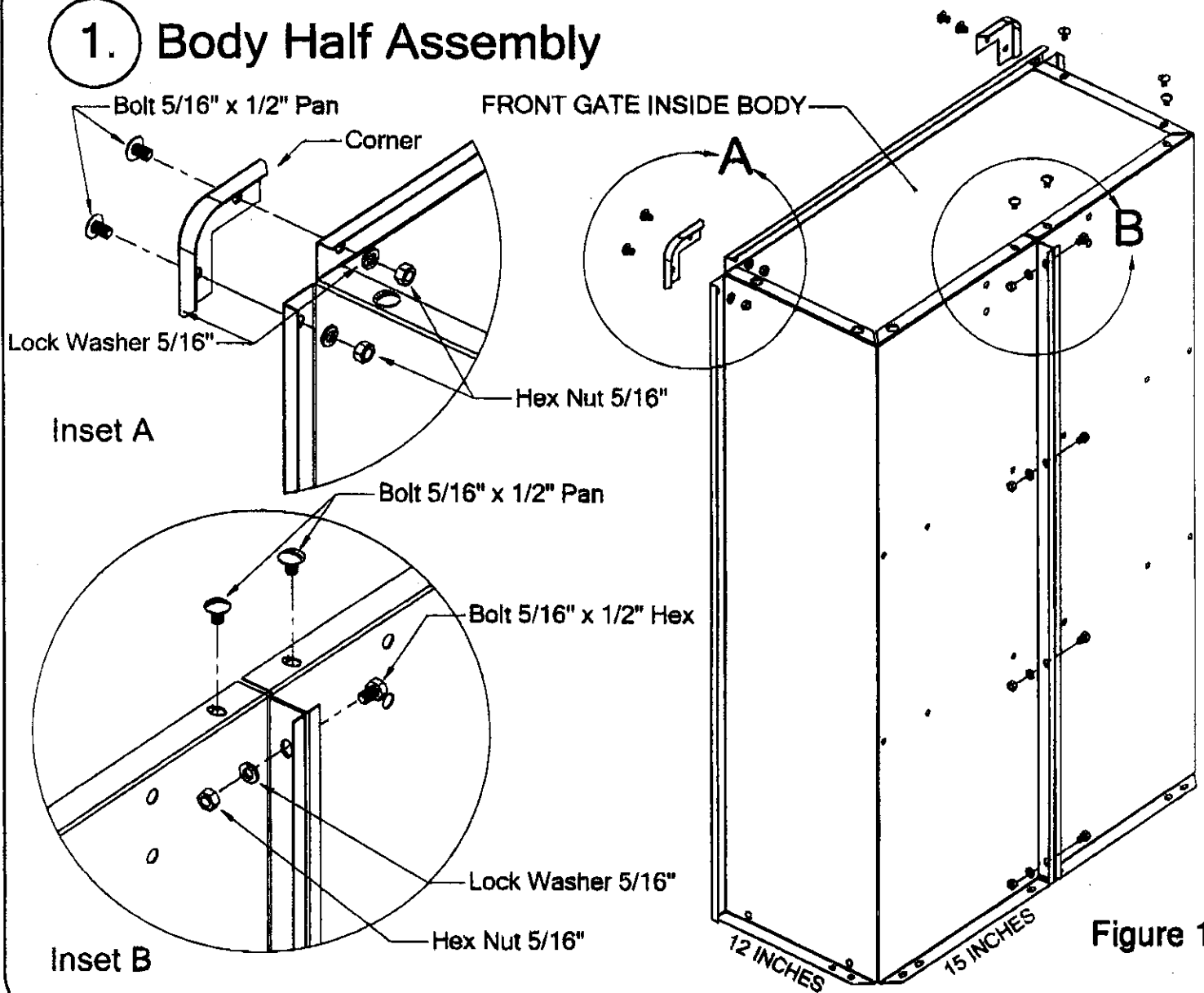
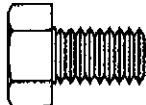


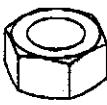


Figure 1.

NOTE: DO NOT TIGHTEN BOLTS UNTIL ALL COMPONENTS IN THIS STEP ARE IN PLACE.

- * Position Body Halves (1 & 2) as shown, front gate side up. Front gate side has fewer holes than tail gate side. Assemble with four 5/16" x 1/2" Hex Head Bolts (24) , 5/16" Lock Washers (23W), and 5/16" Hex Nuts (23N). See inset B.
- * NOTE: Front Gate is positioned INSIDE Cart Body.
- * Lay assembled Body Halves down on floor. Add Front Gate (3), using eight 5/16" x 1/2" Pan Head Bolts (23), with 5/16" Lock Washers (23W), and 5/16" Hex Nuts (23N).
- * Add the two Corners (4) using four 5/16" x 1/2" Pan Head Bolts (23), 5/16" Lock Washers (23LW) and 5/16" Hex nuts (23N). See inset A.

THIS STEP REQUIRES

				(4) - 5/16" x 1/2" Hex Bolt
				(12) - 5/16" x 1/2" Pan Head Bolt
				(16) - 5/16" Lock Washer
				(16) - 5/16" Hex Nut

FOR MISSING PARTS, Call 1-800-652-2321, Mon - Fri, 8 a.m. - 5 p.m. E.S.T.

2. Rear Cart Assembly

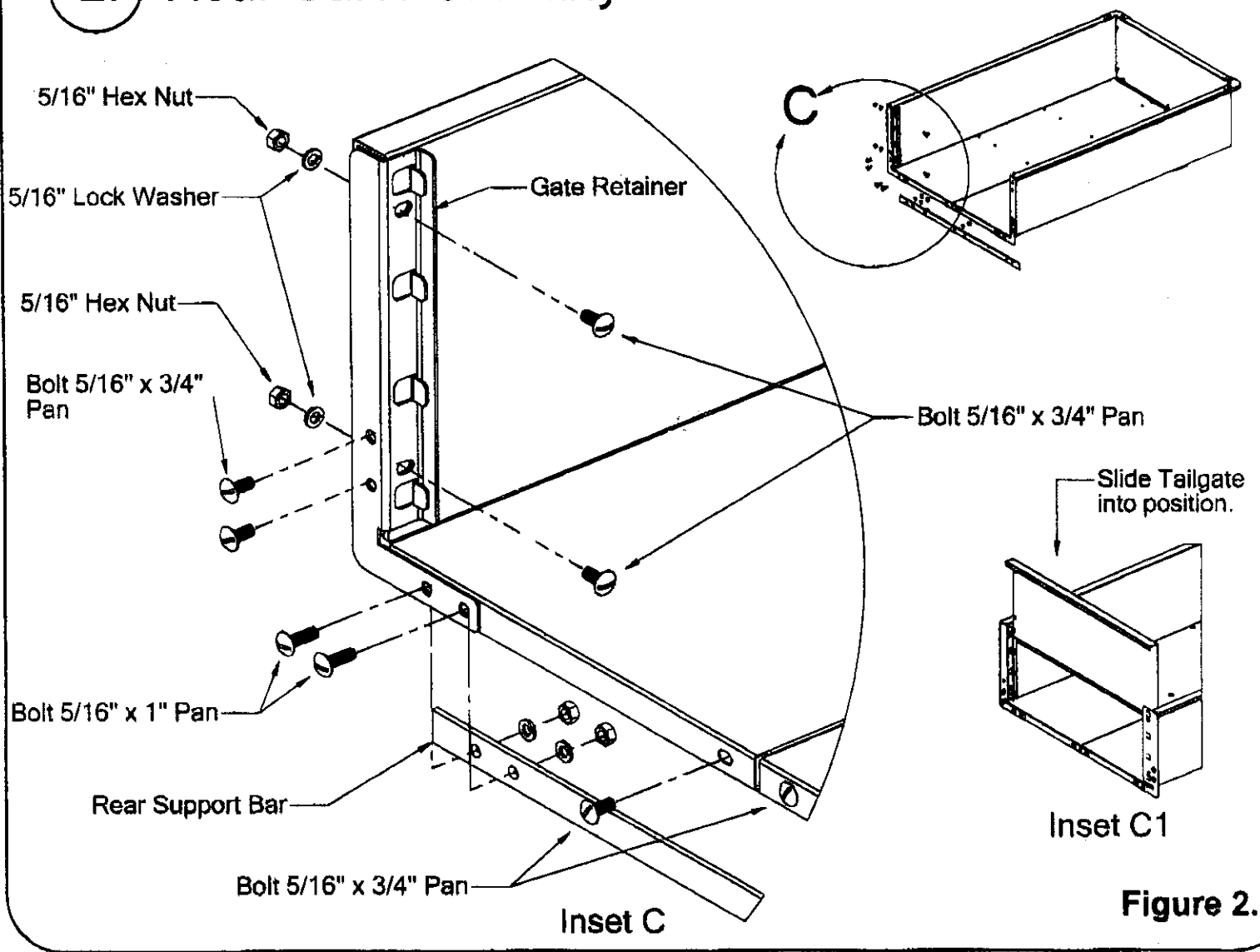
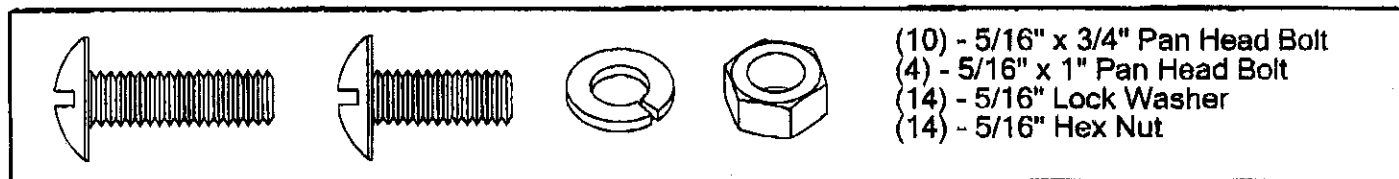


Figure 2.

- * Insert the Rear Support Bar (5) **BEHIND** the rear flanges of the assembled Body Halves. Use two 5/16" x 3/4" Pan Head Bolts (25), 5/16" Lock Washers (23W), and 5/16" Hex Nuts (23N). **IN CENTER TWO HOLES ONLY.**
- * Add Gate Retainers (7A & 8A), as shown, using the common holes to each side, with 5/16" X 3/4" Pan Head Bolt (25), 5/16" Lock Washer (23W), and 5/16" Hex Nut (23N). Do not tighten until Tailgate is inserted.
- * Insert Tail gate as shown in inset C1. Tighten Gate Retainer bolts.

THIS STEP REQUIRES



FOR MISSING PARTS, Call 1-800-652-2321, Mon - Fri, 8 a.m. - 5 p.m. E.S.T.

3. Front Support Assembly

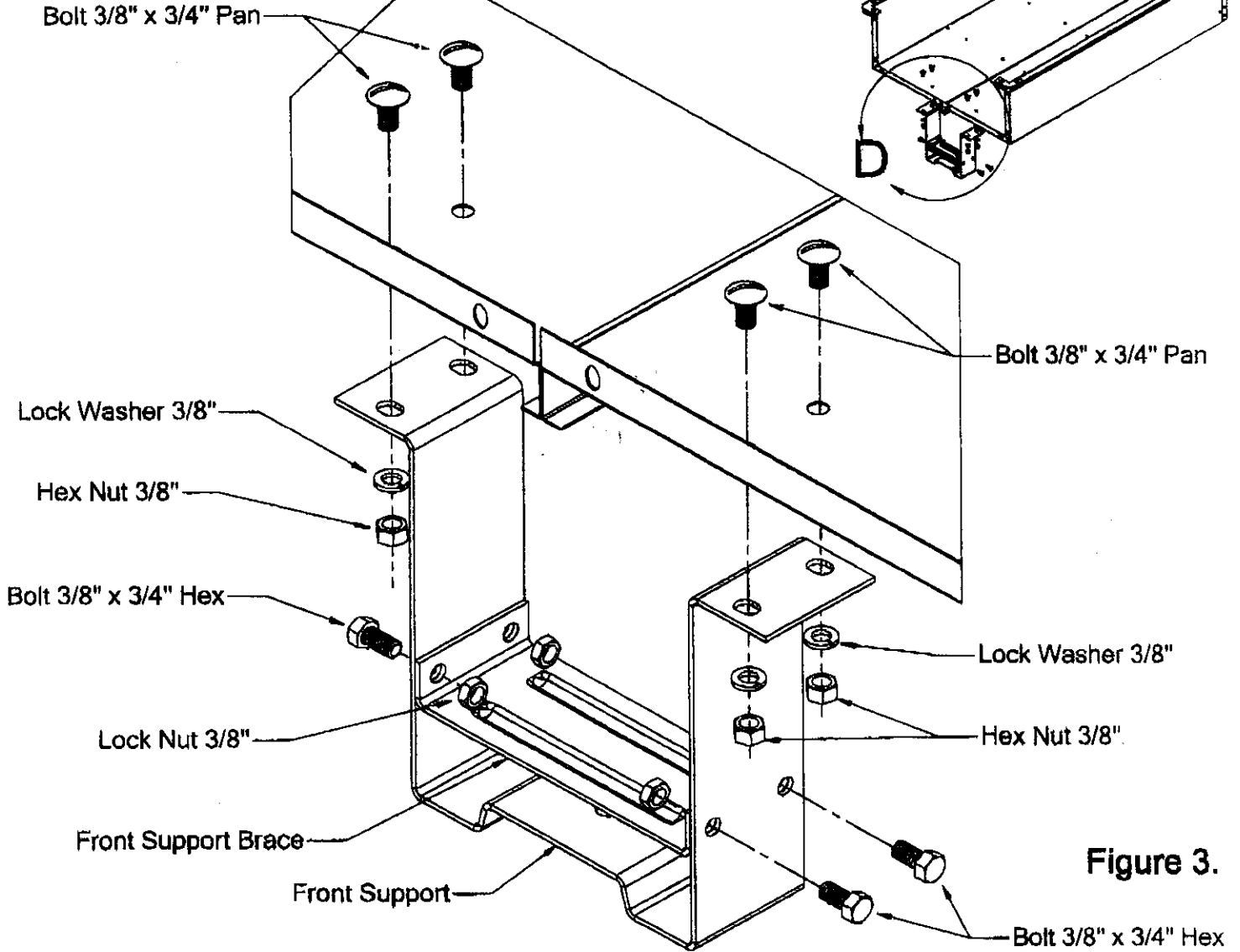
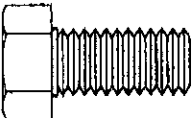
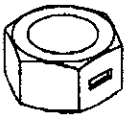
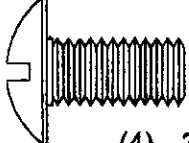

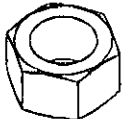


Figure 3.

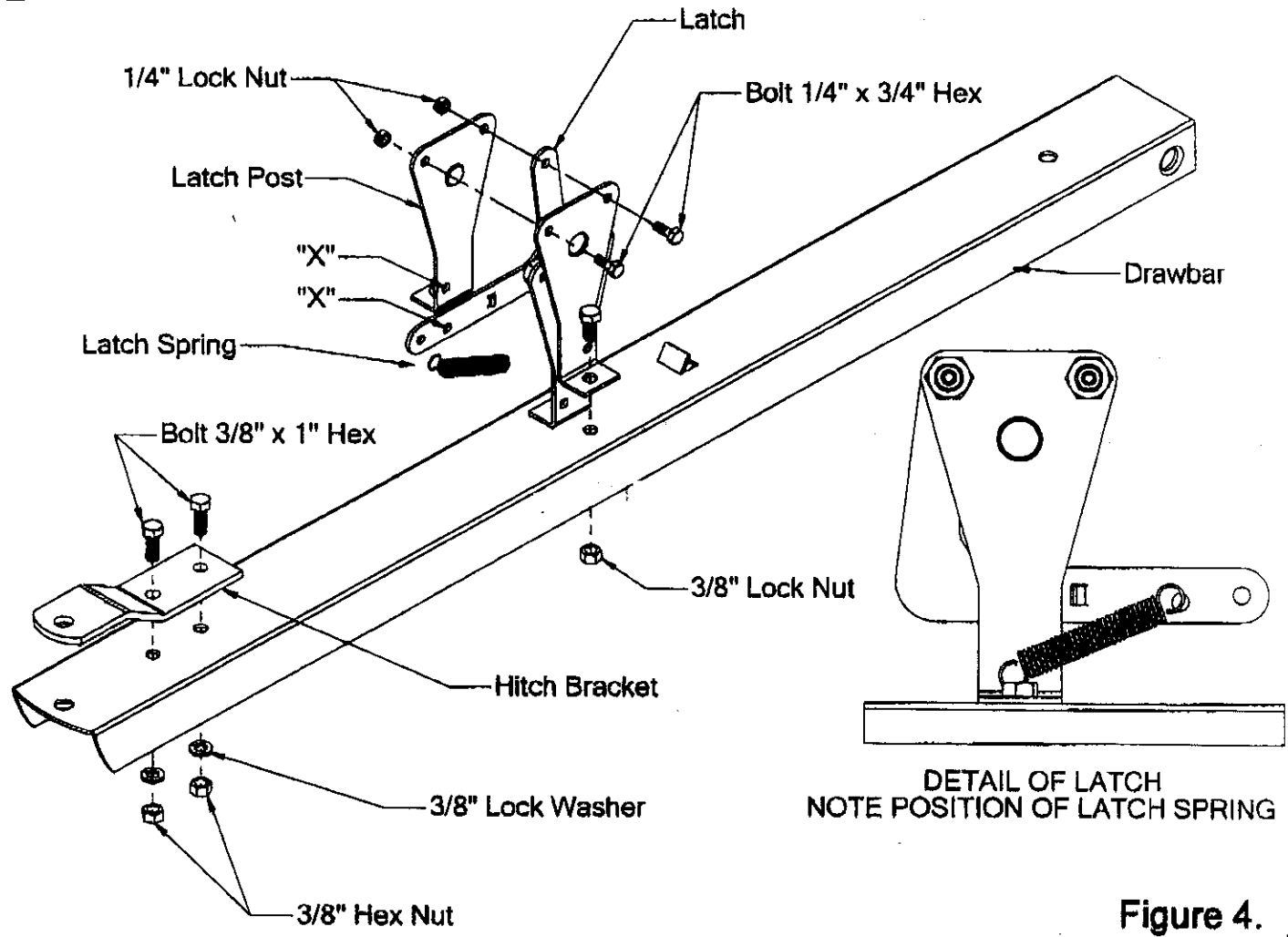
- * Pre-assemble the Front Support Assembly by Mounting the Brace (10) inside the Front Support (9).
NOTE: THE FLANGES ARE UP. Use four 3/8" x 3/4" Hex Head Bolts (28) with 3/8" Lock Nuts (28LN).
- * Mount this assembly to the front of Cart as shown, with four 3/8" x 3/4" Pan Head Bolts (27), 3/8" Lock Washers (27W) and 3/8" Hex Nuts (27N).

THIS STEP REQUIRES

				
(4) - 3/8" x 3/4" Hex Bolt (4) - 3/8" Lock Nut		(4) - 3/8" x 3/4" Pan Head Bolt (4) - 3/8" Lock Washer (4) - 3/8" Hex Nut		

FOR MISSING PARTS, Call 1-800-652-2321, Mon - Fri, 8 a.m. - 5 p.m. E.S.T.

4. Drawbar Pre-Assembly



DETAIL OF LATCH
NOTE POSITION OF LATCH SPRING

Figure 4.

- * Assemble the Latch as shown with the Latch (14) between the two Latch Posts (13). Use one 1/4" x 3/4" Hex Head Bolt (22) with 1/4" Lock Nut (22LN). Add the other 1/4" x 3/4" Bolt for stability.
- * Hook up the Latch Spring (15) using the holes designated with the letter "X". SEE DETAIL.
- * Mount the Latch Assembly to the Drawbar (12) with two 3/8" x 3/4" Hex Head Bolts (28) and Lock Nuts (28LN). Adjust the Lock Nuts so that the Latch moves freely between Latch Posts.
- * Hitch Bracket (16) is attached with 3/8" x 1" Hex Head Bolts (29) and Lock Washer (27W) and Hex Nut (27N).

THIS STEP REQUIRES

<p>(2) - 3/8" x 1" Hex Bolt (2) - 3/8" Lock Washer (2) - 3/8" Hex Nut</p>			<p>(2) - 3/8" x 3/4" Hex Bolt (2) - 3/8" Lock Nut</p>		<p>(2) - 1/4" x 3/4" Hex Bolt (2) - 1/4" Lock Nut</p>

FOR MISSING PARTS, Call 1-800-652-2321, Mon - Fri, 8 a.m. - 5 p.m. E.S.T.

5. Wheel / Axle Assembly

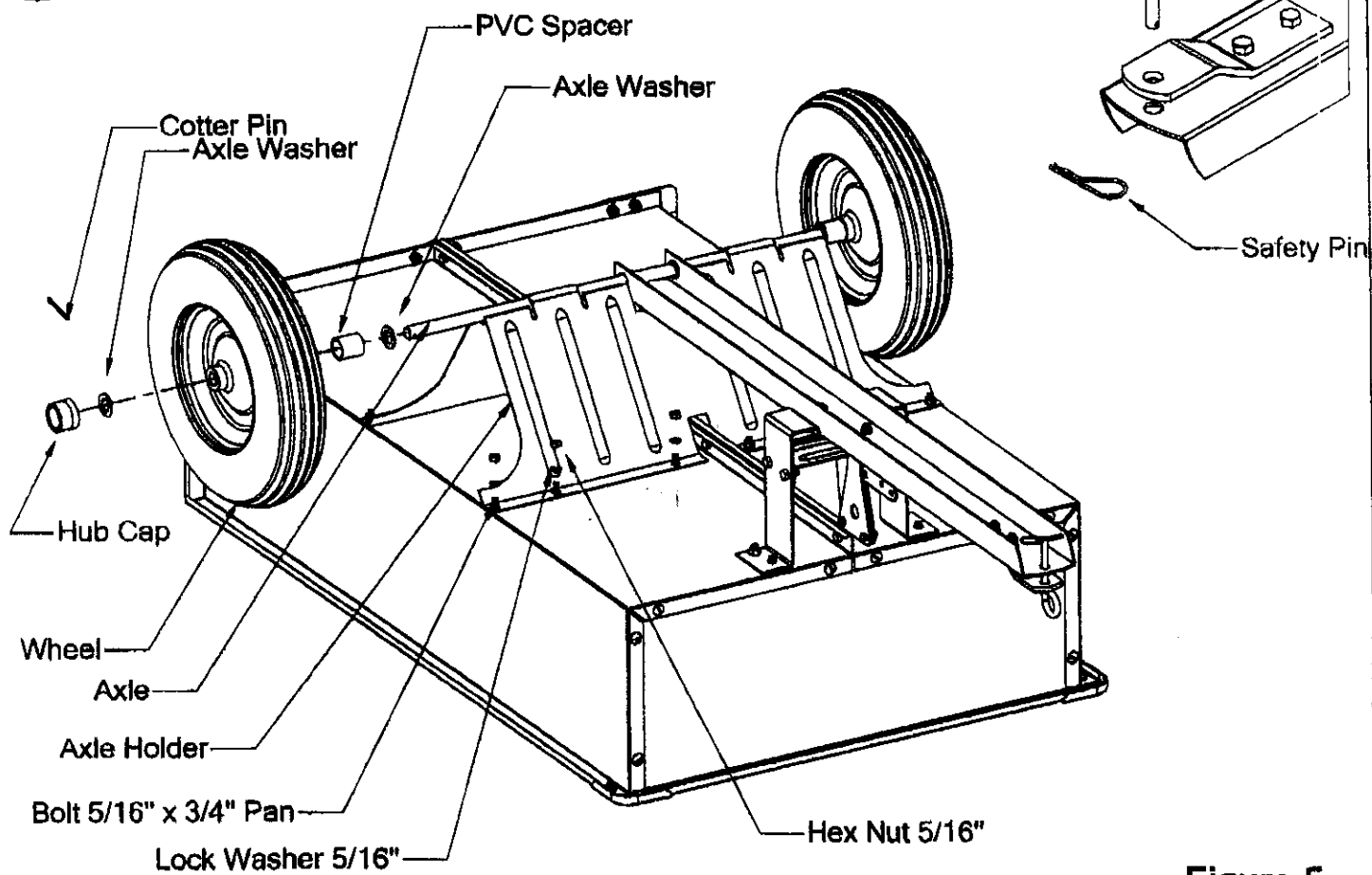
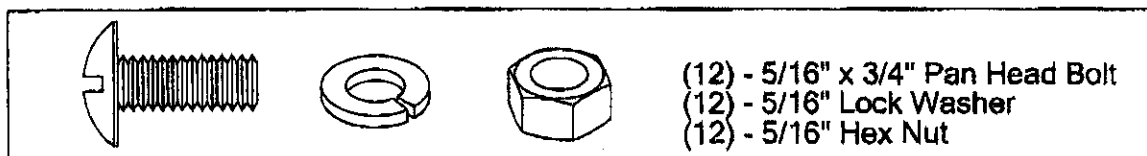


Figure 5.

- * Position Cart to add the Axle Holder. Use twelve 5/16" x 3/4" Pan Head Bolts, with 5/16" Lock Washers and 5/16" Hex Nuts.
- * Next, slide Axle through Axle Holder and Drawbar. Center as shown. Add Axle Washer, PVC Spacer, Wheel, and Axle Washer in that order to each end of Axle. Make sure Valve Stem faces towards the outside.
- * Insert Cotter Pins through holes in Axle and lock in place by spreading the ends. Snap on Hub Caps. Set Cart upright. Slide Tail Gate into position.
- * Make sure ALL bolts are tight at this time.
- * Insert supplied hitch pin through Hitch Plate and Drawbar as shown. Add Safety Pin through Hitch Pin.
- * Apply Craftsman decals as pictured on front cover of this manual.

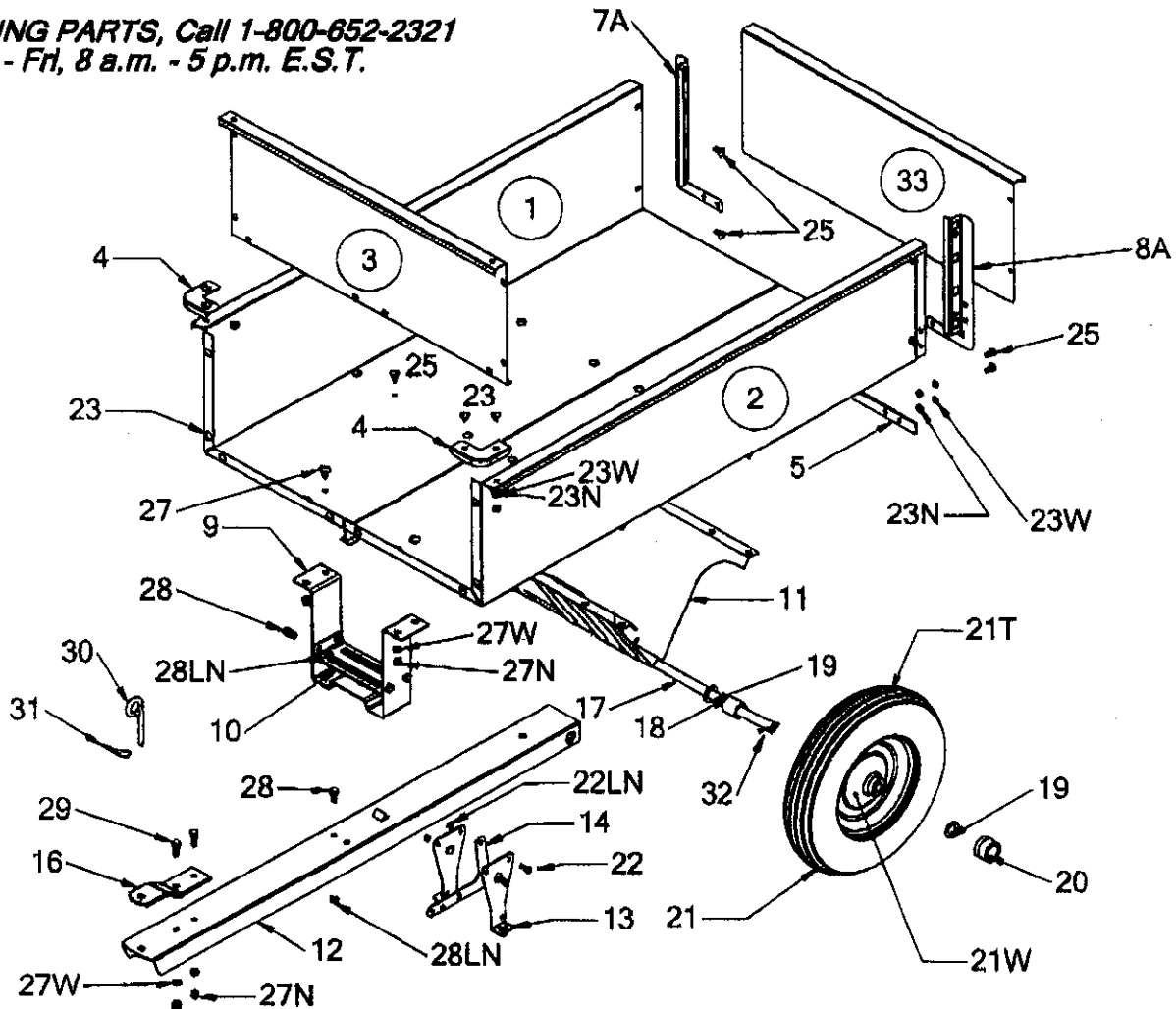
THIS STEP REQUIRES



FOR MISSING PARTS, Call 1-800-652-2321, Mon - Fri, 8 a.m. - 5 p.m. E.S.T.

REPAIR PARTS LIST

FOR MISSING PARTS, Call 1-800-652-2321
Mon - Fri, 8 a.m. - 5 p.m. E.S.T.



REF.NO.	PART NO.	AMT.	DESCRIPTION	REF.NO.	PART NO.	AMT.	DESCRIPTION
1	55-1	1	Right Body Half	21T	55-21T	2	Tire 4.80 x 8
2	55-2	1	Left Body Half	21W	55-21W	2	Wheel
3	55-3	1	Front Gate	22	55-22	2	Bolt 1/4 x 3/4 Hex
4	55-4	2	Corner	22LN	STD541425	2	Lock Nut 1/4
5	55-5	1	Rear Support Bar	23	55-23	12	Bolt 5/16 x 1/2 Pan
				23W	STD551131	42	Lock Washer 5/16
7	55-7A	1	Gate Retainer Right	23N	STD541031	42	Hex Nut 5/16
8	55-8A	1	Gate Retainer Left	24	55-24	4	Bolt 5/16 x 1/2 Hex
9	55-9	1	Front Support	25	55-25	22	Bolt 5/16 x 3/4 Pan
10	55-10	1	Front Support Brace	26	55-26	4	Bolt 5/16 x 1 Pan
11	55-11	1	Axle Holder	27	55-27	4	Bolt 3/8 x 3/4 Pan
12	55-12	1	Drawbar	27W	STD551137	6	Lock Washer 3/8
13	55-13	2	Latch Post	27N	STD541037	6	Hex Nut 3/8
14	55-14	1	Latch	28	55-28	6	Bolt 3/8 x 3/4 Hex
15	55-15	1	Latch Spring	28LN	STD541437	6	Lock Nut 3/8
16	55-16	1	Hitch Bracket	29	55-29	2	Bolt 3/8 x 1 Hex
17	55-17	1	Axle	30	55-30	1	Hitch Pin
18	55-18	2	PVC Spacer	31	55-31	1	Hair Pin Cotter
19	55-19	4	Axle Washer	32	55-32	2	Cotter Pin 1/8 x 1 1/2
20	55-20	2	Hub Cap	33	55-33	1	Tail Gate
21	55-21	2	Wheel Complete	34	55-34	1	Owners Manual
				35	55-35	2	Decal

WARRANTY

FULL ONE-YEAR WARRANTY

If this product fails due to a defect in material or workmanship within one year from the date of purchase, Sears will at its option repair or replace it free of charge. This warranty excludes Tires and Wheels, which are expendable and become worn during normal use.

This warranty does not cover:

- Repairs necessary because of operator abuse or negligence.
- Equipment use for commercial or rental purposes.

Contact you're nearest Sears Service Center to arrange for product repair, or return this product to place of purchase for replacement.

This warranty gives you specific legal rights, and you may also have other rights, which vary from state to state. This Warranty applies only while this product is in use in the United States.

Sears, Roebuck and Co., Dept. 817WA, Hoffman Estates, IL 60179

PRODUCT RECORD

In the space below record the model number and purchase date of your Cart. The model number can be found on a decal on the drawbar.

Model Number - _____

Purchase Date - _____

Keep this booklet and your Sears receipt in a safe place for future reference.

ORDERING INFORMATION

Always mention the Model Number when requesting service or repair parts. All parts listed herein may be ordered from any Sears Service Center and most Sears Stores.

When ordering Repair Parts, Always give the Following information:

Product - 12 CU. FT. HEAPED DUMP CART

Model Number - 610.243551

Part Number - * _____

Part Description - * _____

* Found on the Repair Parts List. Reference page 10.

Notes

Get it fixed, at your home or ours!

For repair of major brand appliances in your own home...

no matter who made it, no matter who sold it!

1-800-4-MY-HOMESM Anytime, day or night

(1-800-469-4663)

www.sears.com

For repair of carry-in products like vacuums, lawn equipment, and electronics,
call for the location of your nearest **Sears Parts & Repair Center.**

1-800-488-1222 Anytime, day or night

www.sears.com

For the replacement parts, accessories and owner's manuals
that you need to do-it-yourself, call **Sears PartsDirectSM!**

1-800-366-PART 6 a.m. - 11 p.m. CST,

(1-800-366-7278) 7 days a week

www.sears.com/partsdirect

To purchase or inquire about a Sears Service Agreement:

1-800-827-6655

7 a.m. - 5 p.m. CST, Mon. - Sat.

Para pedir servicio de reparación a domicilio,
y para ordenar piezas con entrega a domicilio:

1-888-SU-HOGARSM

(1-888-784-6427)

Au Canada pour service en français:

1-877-LE-FOYERSM

