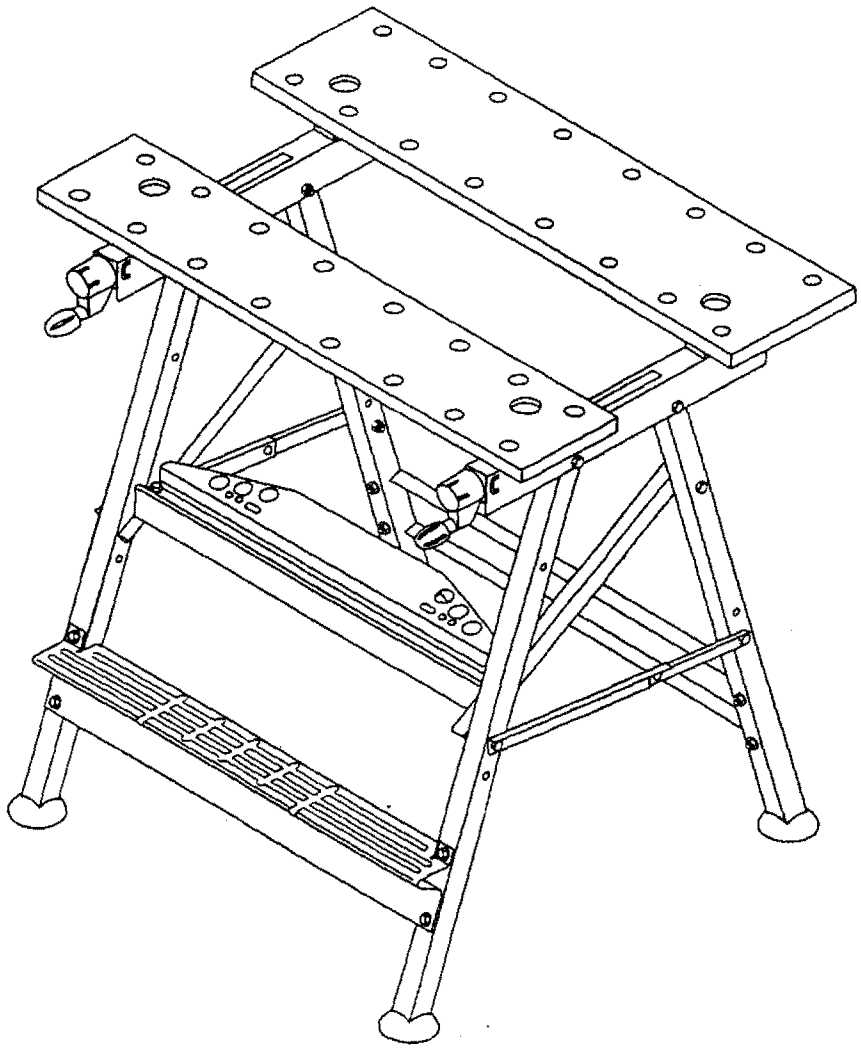




QUICK CLAMPING WORK TABLE BANCO DE TRABAJO DE FIJACIÓN RÁPIDA

Model No:
695.65857
Modelo N°
695.65857



CAUTION:
Before using this product, read this manual and follow all its Safety Rules and Operating Instructions.

- Safety Instructions
- Assembly
- Operation
- Repair Parts
- Español

PRECAUCIÓN:
Antes de usar este producto, lea este manual y siga todas las instrucciones de seguridad y de manejo.

- Instrucciones de seguridad
- Montaje
- Manejo
- Repuestos
- Español

TABLE OF CONTENTS

WARRANTY	2	HOW TO	5
SAFETY INSTRUCTIONS	2	SPECIFICATIONS	6
PACKAGE CONTENTS	3	REPAIR PARTS	6
ASSEMBLY	4	ESPAÑOL	7

WARRANTY

Full One Year Warranty

If this CRAFTSMAN® Workbench fails to give complete satisfaction within one year from the date of purchase, return it to (or contact) the nearest Sears Service Center in the United States, and Sears will repair it, free of charge.

This warranty gives you specific legal rights and you may also have other rights which vary from state to state.

Sears, Roebuck and Co.,
D/817WA, Hoffman Estates, IL 60179

SAFETY INSTRUCTIONS

DO NOT attempt to assemble or operate your CRAFTSMAN® Workbench until you have read the safety instructions in this section.

Safety items throughout this manual are labeled with **WARNING** or **CAUTION**.

WARNING: Means that failure to follow this safety statement may result in extensive product damage, serious personal injury or death.

CAUTION: Means that failure to follow this safety statement may result in minor or moderate personal injury, property or equipment damage.

WARNING: DO NOT use this tool for scaffolding or as a ladder. Make sure to insert pin and fully tighten handles when in use. Maximum capacity 250 lbs.

WARNING: Read all instructions.

- DO NOT attempt to use your portable workbench unless the jaw is securely locked in position.
- DO NOT load tool stand with more than 250 pounds.
- DO NOT apply an unbalanced load which could result in the workbench tipping over.
- DO NOT stand or climb on the workbench. It could fall or tip over causing serious injury.
- Be sure the workbench's leg set frame assembly is in the fully opened position before using.
- When operating a stationary power tool, such as a miter saw, on your workbench, be sure the tool is securely bolted to a separate piece of plywood and the plywood is securely clamped to the

portable workbench. DO NOT clamp or mount stationary power tools directly to table top. This could cause serious bodily injury.

- When operating a portable power tool such as a drill, router, sander or planer: Always be sure that the workpiece is securely clamped to your workbench. This will avoid kickback which could cause serious bodily injury.
- When using a power tool with the workbench, ALWAYS follow the safety instructions in the power tool owner's manual.
- ALWAYS wear safety glasses or eye shields when operating power tools.
- To prevent personal injury while opening or closing your workbench, always avoid positioning hands or fingers where they could get pinched.
- Dress for safety. DO NOT wear loose clothing, gloves, neckties or jewelry (rings, watches); they can get caught and draw you into moving parts. ALWAYS wear non-slip footwear; tie back long hair.

CAUTION: DO NOT store workbench outdoors or in a damp location.

- ALWAYS keep your work area clean, uncluttered and well lit. DO NOT work on or place workbench legs on floor surfaces that are slippery from sawdust, oil, water or wax.
- Keep visitors and children a safe distance away from the work area, especially when you're operating a power tool. Visitors should wear the same safety equipment as the operator.
- **SAVE THESE INSTRUCTIONS.**

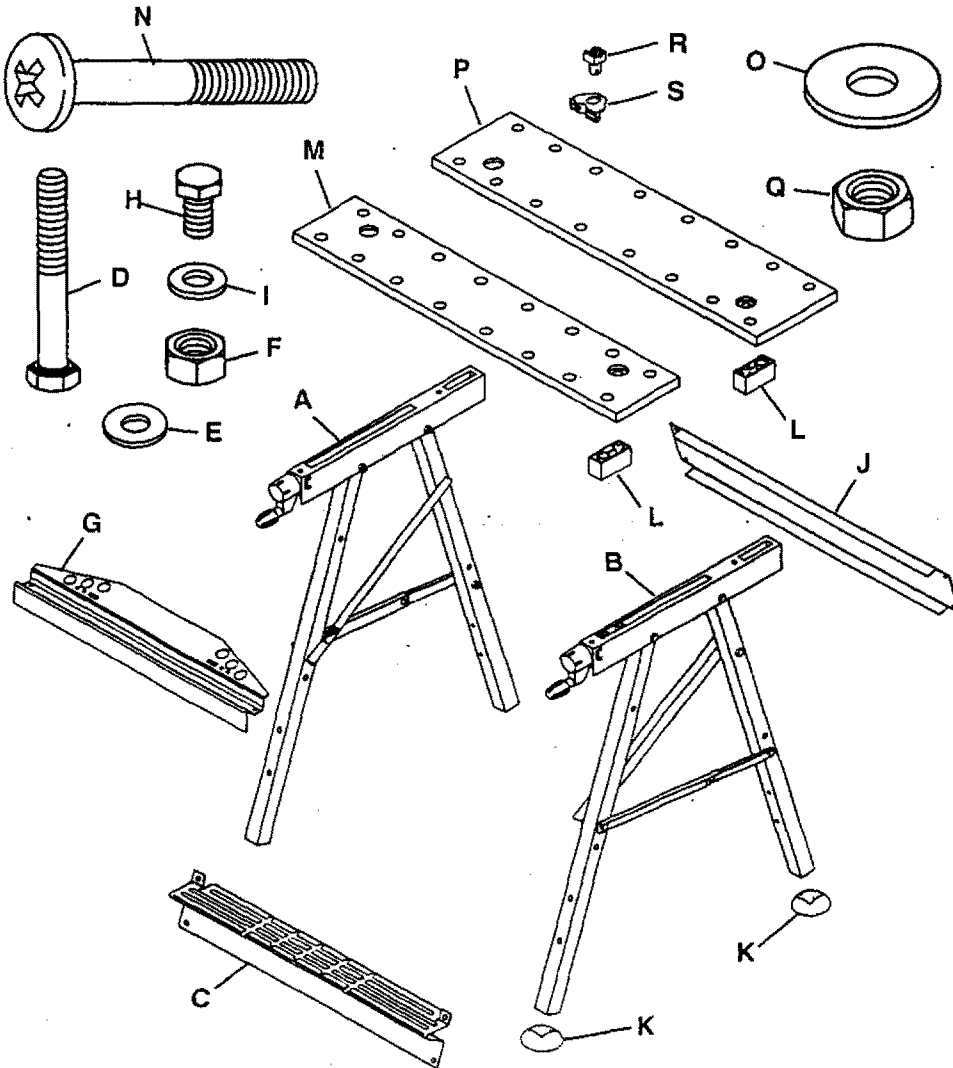
PACKAGE CONTENTS

Your CRAFTSMAN® Workbench is shipped complete in one carton.

Separate all parts from packing materials and check each item with Figure 1 and "Table of Loose Parts". Make sure all items are accounted for before discarding any of the packing material.

TABLE OF LOOSE PARTS

ITEM	DESCRIPTION	QTY.	ITEM	DESCRIPTION	QTY.
A	Leg assembly – left	1	J	Cross bar	1
B	Leg assembly – right	1	K	Foot pad	4
C	Foot step	1	L	Support – table top	4
D	Screw – M6 x 40	8	M	Table top – front	1
E	Washer – medium	8	N	Screws – M8 x 55	4
F	Nut – M6	10	O	Washer – large	6
G	Tool storage rack	1	P	Table top – rear	1
H	Screw – M6 x 12	2	Q	Nut – M8	2
I	Washer – small	4	R	Swivel peg	4
			S	Peg Support	2



ASSEMBLY

Assembling the Workbench

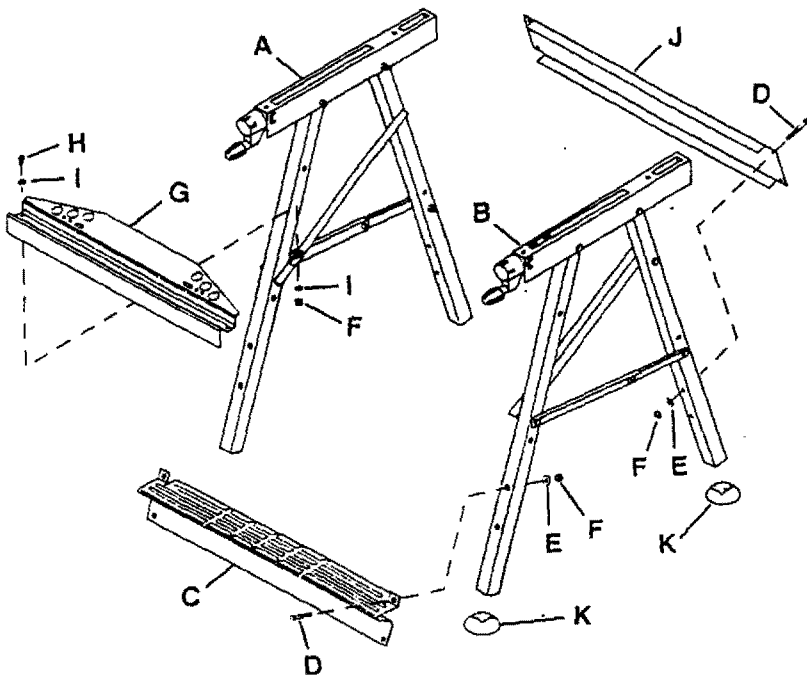
Note: For correct assembly, the legs, [A] and [B], must have hinges on the outside. Refer to Figure 2 for steps 1 - 4

1. Attach the foot step [C] to the leg assemblies [A & B] with two screws, [D] (M6 x 40), medium washers [E] and nuts [F] (M6) on each side. Tighten securely.
2. Attach the tool storage rack [G] to the leg assemblies [A & B] with a screw [H] (M6 x 12), two small washers [I], and nut [F] (M6) on each side. Tighten securely.
3. Attach the rear cross bar [J] to the leg assemblies. Use two screws [D] (M6 x 40), medium washers [E], and nuts [F] (M6) on each side. Tighten securely.
4. Install foot pads [K] onto ends of each leg.

Refer to Figure 3 for steps 5 - 8

5. Place the two top supports [L] on the front and top

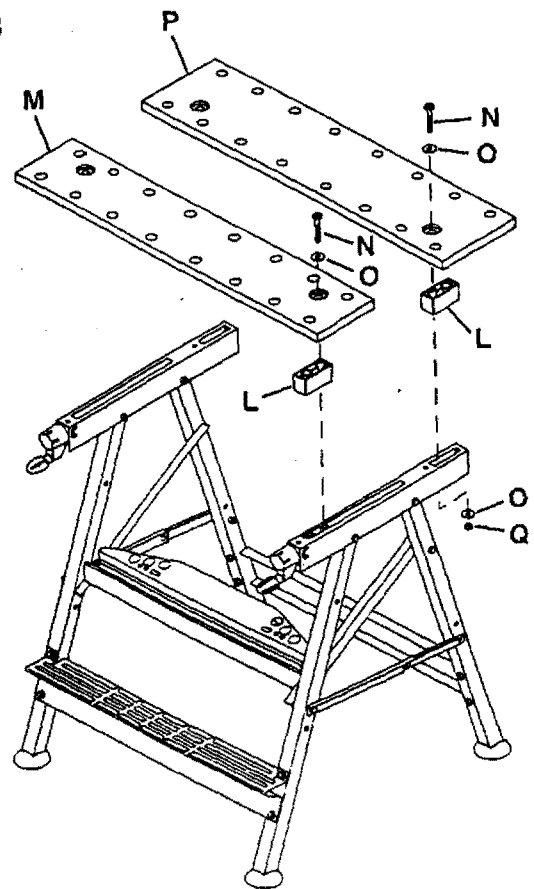
Figure 2



of the leg assemblies [A & B] with the support's round extrusions facing up and away from the front of the table. The bottom round extrusion holes fit over the threaded extrusions of each screw arm assembly.

6. Place the front table top [M] on the supports [L], aligning the table top holes over the round support moldings and press into place. Attach top using two screws [N] (M8 x 55) and two large washers [O]. Tighten securely.
7. Place two table top supports [L] on rear and top of the leg assemblies [A & B] with the support's round extrusions facing up and toward the front of the table. The supports fit into the rectangular cut-outs in the leg assemblies.
8. Place the rear table top [P] on the supports [L], aligning the table top holes over the support extrusions and press into place. Attach top using two screws [N] (M8 x 55) and two large washers [O] on table top and two large washers [O] and two nuts [Q] (M8) on table bottom. Tighten securely.

Figure 3



HOW TO

Folding Your Workbench

1. Remove any hand tools or parts from table top and storage rack.
2. Carefully pull up on hinges, with fingers under hinge flange, to unlock hinges.
3. Tilt Stand back slightly onto rear legs. (See Figure 4.)
4. Reach down and push front legs backward.

Figure 4

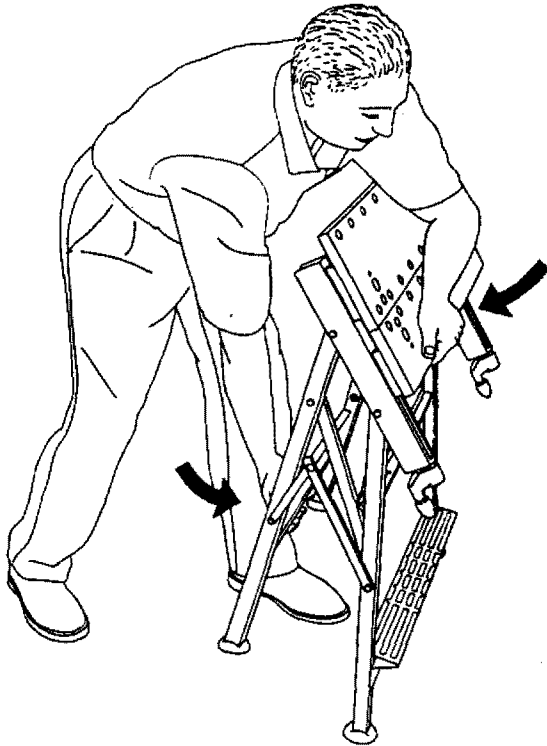
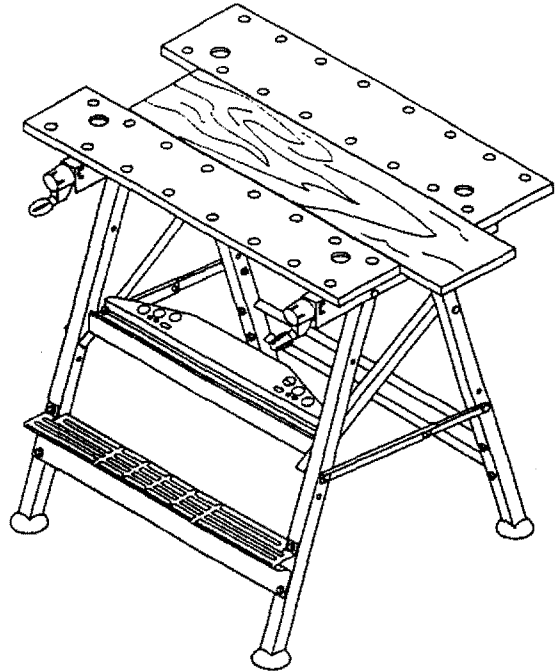


Figure 5



Using Adjustable Swivel Pegs – Figure 6

Your workbench is equipped with 4 swivel pegs. The swivel pegs can be positioned into any of the holes in the front and rear of top for gripping irregular shaped workpieces, or to extend gripping and clamping when the workpiece exceeds the jaw capacity.

CAUTION: Swivel pegs are to be used to grip workpiece only in cases where the workpiece DOES NOT extend beyond the surface of the jaw.

Opening the Workbench

1. Standing at rear of workbench, grasp front edge of table top and underside of rear cross brace.
2. Pull rear cross brace towards you while simultaneously pulling up on table top.
3. When fully open, secure in locked position by pushing on hinges until completely down.

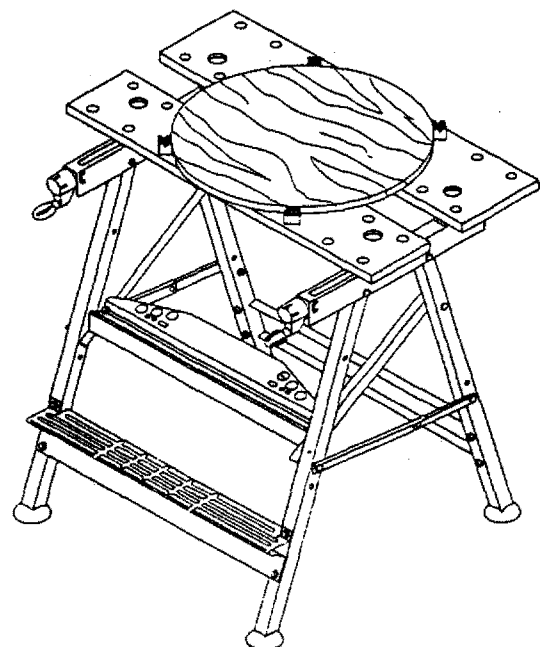
To Adjust Table Top Jaw

Turn the front table top jaw adjustment handles counterclockwise to move front jaw toward you. Turn adjustment handles clockwise to move front jaw away. (See Figure 5.) The table top jaws open to clamp a maximum 7-inch wide workpiece.

Adjusting Jaw to Angle

Workbench jaw adjusts to a maximum angle of 14 degrees for clamping irregular shaped workpieces. To adjust jaw to angle, turn either the right or left adjustment handle until desired angle is reached.

Figure 6

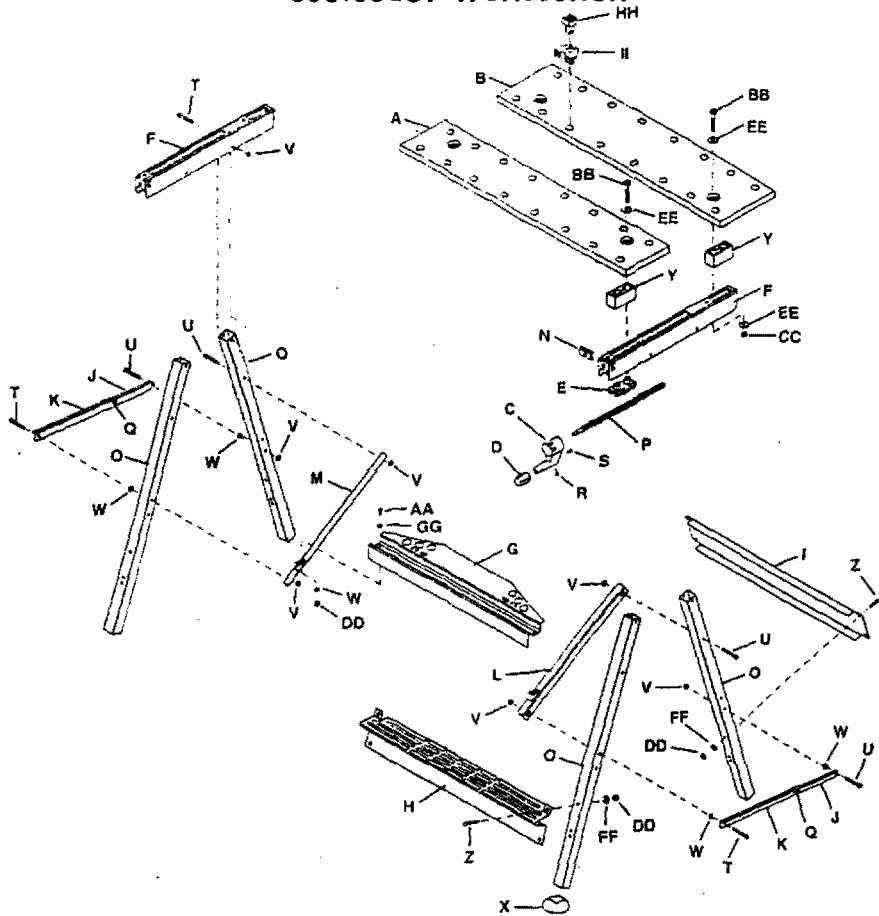


SPECIFICATIONS

Work Table Area: 30" x 13-1/4".
 Maximum Weight Support: 250 pounds.
 Working Heights: 31-1/2"

REPAIR PARTS

695.65857 Workbench



PARTS LIST

KEY NO.	PART NO.	DESCRIPTION	QTY.	KEY NO.	PART NO.	DESCRIPTION	QTY.	PART SET
A	119800362	Table Top - Front	1	T	116700081	Screw - Legs and L Brackets (M6x45)	6	119900868
B	119800363	Table Top - Rear	1	U	116750142	Screw - L Brackets (M6x40)	4	
C	116600047	Handle	2	V	116710020	Lock Nut - Legs and L Brackets	10	
D	116600048	Handle Grip	2	W	116700026	Washer - L Brackets	4	
E	116620265	L Threaded Piece	2	X	116630201	Foot Pad	4	
F	117010212	Rail	2	Y	116610118	Connector Table Top Supports	4	
G	117020161	Tool Rack	1	Z	116750142	Screw for Foot Step and Cross Brace (M6x40)	8	
H	117020172	Foot Step	1	AA	116720040	Screw - Tool Rack (M6x12)	2	
I	117020176	Cross Bar	1	BB	117710091	Screw - Table Top (M8x55)	4	
J	117010213	L Bracket - Hinge - Rear	2	CC	116700021	Nut - Table Top - Rear (M8)	2	
K	117010214	L Bracket - Hinge - Front	2	DD	116700023	Nut - Tool Rack, Foot Step and Cross Bar (M6)	10	
L	117010215	L Bracket - Left	1	EE	116720112	Washer - Table Tops	6	
M	117010216	L Bracket - Right	1	FF	116720077	Washer - Foot Step and Cross Bar	8	
N	117010217	L L - Right	2	GG	116600014	Washer - Tool Rack	4	
O	117010218	Leg	4	HH	116610122	Swivel Peg	4	
P	117220185	Spindle Threaded	2	II	116610723	Peg Support	2	
Q	116710002	Rivet	2					
R	116710029	Screw Handle to Spindle (M3.9x13)	2					
S	116710118	Screw Grip to Handle (M4.2x9.5)	2					

Hardware bag → 119900868
 for plastic
 Hardware bag → 119900871
 for metal parts