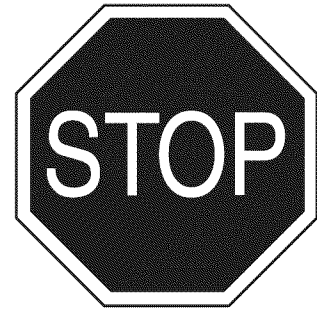


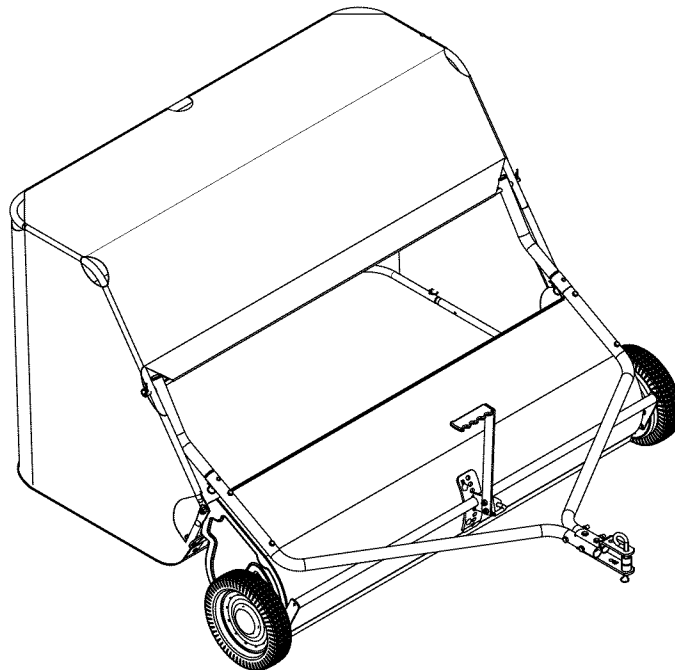
# Operator's Manual



## 52" HEAVY DUTY SWEEPER

Model No. 71-24140

DO NOT RETURN TO STORE  
For Missing Parts or Assembly  
Questions Call 1-866-576-8388



### CAUTION:

Before using this product, read this manual and follow all Safety Rules and Operating Instructions.

- Safety
- Assembly
- Operation
- Maintenance
- Parts

Sears Brands Management Corporation, Hoffman Estates, IL 60179 U.S.A.  
[www.craftsman.com](http://www.craftsman.com)

PRINTED IN U.S.A.

FORM NO. 42024 (12/17/15)

# TABLE OF CONTENTS

SAFETY RULES.....	3
WARRANTY .....	3
FULL SIZE HARDWARE CHART .....	4
CARTON CONTENTS .....	5
ASSEMBLY INSTRUCTIONS .....	6
KNOW YOUR SWEEPER.....	11
HOW TO USE YOUR SWEEPER .....	11
MAINTENANCE .....	12
STORAGE .....	12
SERVICE AND ADJUSTMENTS .....	13
TROUBLESHOOTING.....	13
REPAIR PARTS EXPLOSION .....	14
REPAIR PARTS LIST.....	15



## SAFETY



Any power equipment can cause injury if operated improperly or if the user does not understand how to operate the equipment. Exercise caution at all times when using power equipment.

- Read the vehicle and sweeper owners manuals and know how to operate your vehicle and sweeper before using this sweeper attachment. Always instruct other users before they operate the sweeper.
- Do not permit children to operate sweeper.
- Do not permit anyone to ride on sweeper.
- Never attach the hopper rope to any part of your body or clothing! Never hold onto the rope while towing the sweeper! Attach the rope to the towing vehicle to keep it away from wheels and rotating parts.
- Operate the sweeper at reduced speed on rough terrain, near ditches and on hillsides to prevent loss of control.
- Vehicle braking and stability may be affected with the attachment of this sweeper. Do not fill sweeper to maximum capacity without checking the capability of the towing vehicle to safely pull and stop with the sweeper attached. **Stay off of steep slopes.**
- Stop and inspect vehicle and sweeper for damage after striking an object. Repair any damage before continuing operation.
- Keep sweeper away from fire. Excessive heat can damage the brushes and hopper bag and could cause the bag and its contents to burn.
- Before storing the sweeper, always empty the hopper bag to avoid spontaneous combustion.
- Follow maintenance and lubrication instructions as outlined in the maintenance section of this manual.



Look for this symbol to point out important safety precautions. It means — **Attention!!**  
**Become alert!!** Your safety is involved.

## WARRANTY

### CRAFTSMAN LIMITED WARRANTY

FOR ONE YEAR from the date of sale this product is warranted against defects in material or workmanship.

WITH PROOF OF SALE a defective part will be replaced free of charge. If a replacement part is unavailable, the product will be replaced with one of equal value.

For warranty coverage details to obtain free replacement, visit the web page: [www.craftsman.com/warranty](http://www.craftsman.com/warranty)

This warranty does not cover expendable items that can wear out from normal use or deterioration within the warranty period, including but not limited to tires, belts, exterior finishes or product labels.

This warranty does not apply to a product that is damaged or altered through transportation, misuse, abuse, corrosion, accident, neglect, modification or mishandling.

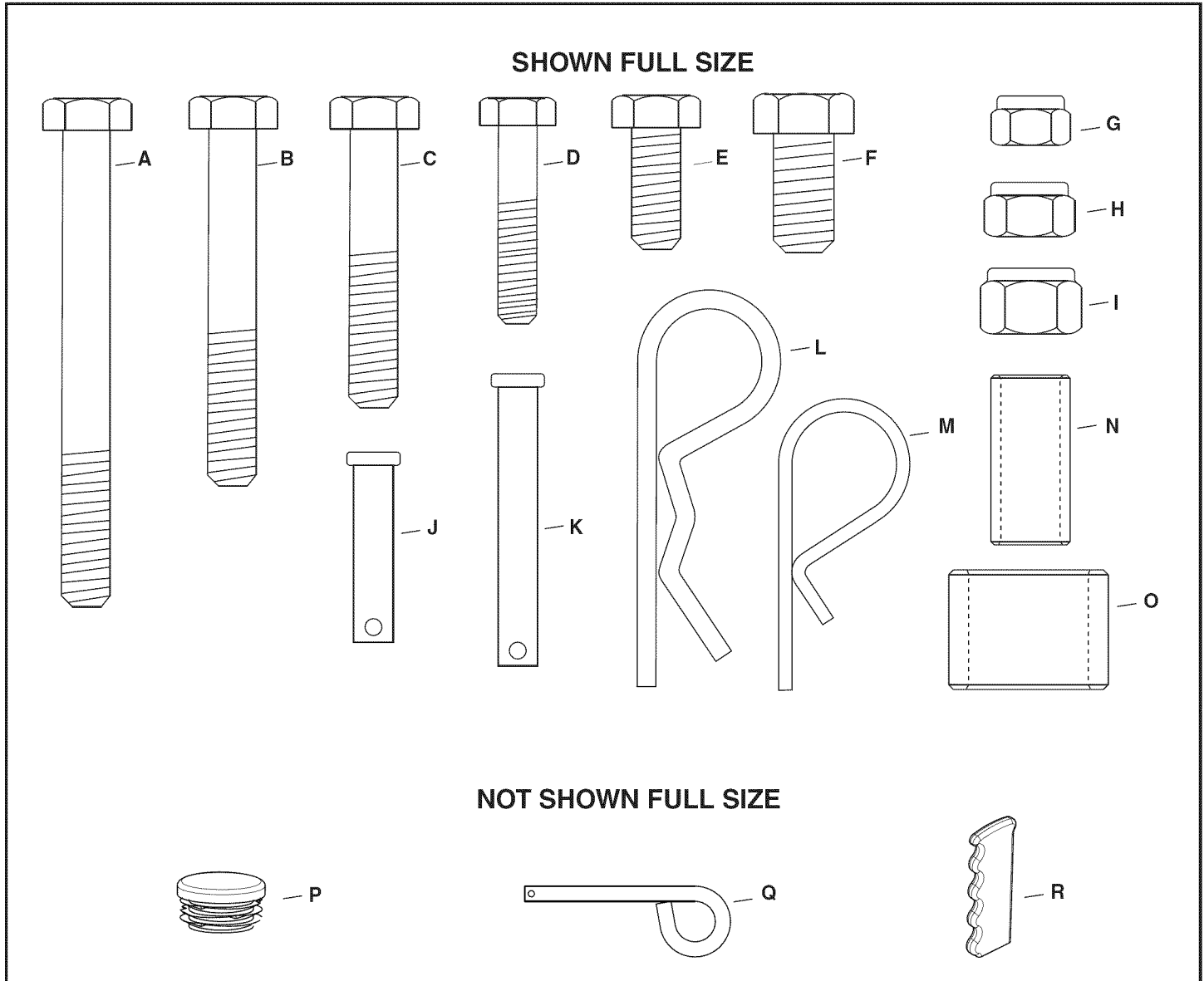
This warranty is void if this product is ever used while providing commercial services or if rented to another person.

This warranty gives you specific legal rights, and you may also have other rights which vary from state to state.

**Sears Brands Management Corporation, Hoffman Estates, IL 60179**

DO NOT RETURN TO STORE for Missing Parts or Assembly Questions  
Call 1-866-576-8388 Attachment Hotline

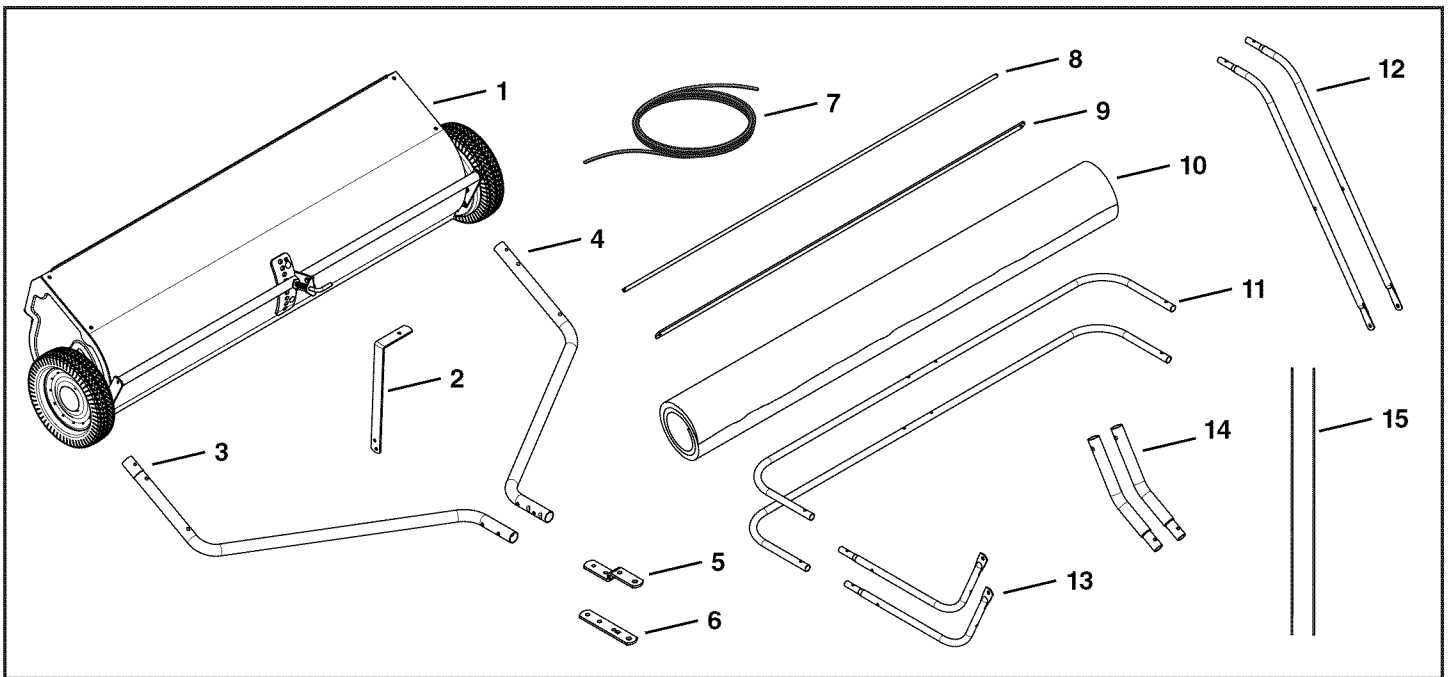
# HARDWARE PACKAGE CONTENTS



REF	PART NO.	QTY	DESCRIPTION	REF	PART NO.	QTY	DESCRIPTION
A	46782	2	Hex Bolt, 5/16-18 x 3" Lg.	J	46867	4	Clevis Pin, 1/4" x 1-1/8"
B	43224	2	Hex Bolt, 5/16-18 x 2-1/4" Lg.	K	48365	2	Clevis Pin, 1/4" x 1-3/4" Lg.
C	43084	4	Hex Bolt, 5/16-18 x 1-3/4" Lg.	L	43343	1	Hairpin Cotter, 1/8" Large
D	1509-90	2	Bolt, Hex 1/4-20 x 1-1/4"	M	43055	8	Hairpin Cotter, 3/32" Small
E	43182	2	Bolt, Hex 5/16-18 x 3/4" Lg.	N	42563	2	Spacer, 1" Long
F	43407	2	Hex Bolt, 3/8-16 x 3/4"	O	23368	2	Tube, Hitch Spacer
G	47189	2	Nylock Nut, 1/4-20	P	47674	2	Plug
H	47810	10	Nut, Nylock 5/16-18	Q	23353	1	Pin, Hitch
I	HA21362	2	Nut, Nylock 3/8-16	R	43943	1	Grip

# CARTON CONTENTS

1. Sweeper Housing Assembly
2. Height Adjustment Handle
3. Hitch Tube, L.H.
4. Hitch Tube, R.H.
5. Hitch Bracket
6. Hitch Bracket (Straight)
7. Rope
8. Bag Pivot Rod
9. Bag Frame Strap
10. Hopper Bag
11. Rear Hopper Tube (2)
12. Upper Hopper Tube (2)
13. Lower Hopper Tube (2)
14. Bag Arm Tube (2)
15. Hopper Support Rod (2)



# ASSEMBLY

## TOOLS REQUIRED FOR ASSEMBLY

- (2) 7/16" Open End or Box End Wrenches
- (2) 1/2" Open End or Box End Wrenches
- (2) 9/16" Open End or Box End Wrenches

**Note:** Right hand (R.H.) and left hand (L.H.) are determined from the operator's position while seated on the tractor.

- Assemble the grip onto the height adjustment handle.
- Assemble the height adjustment handle to the sweeper using two 5/16" x 3/4" bolts and 5/16" nylock nuts.

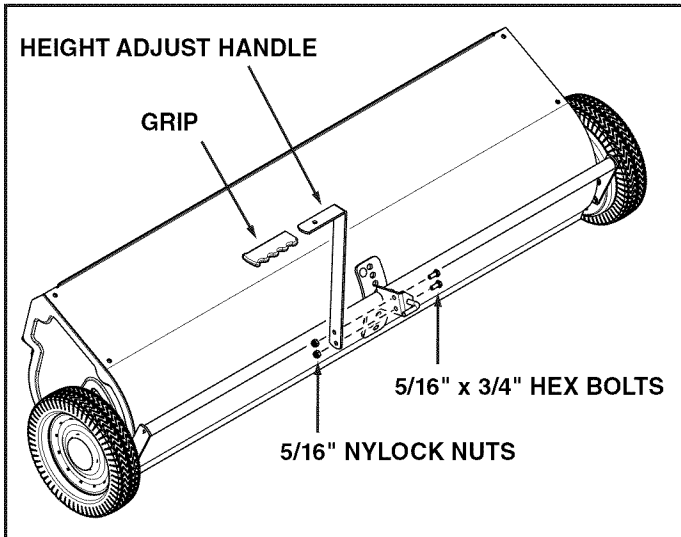


FIGURE 1

- Assemble the R.H. and L.H. hitch tubes to the sweeper housing using four 5/16" x 1-3/4" hex bolts and 5/16" nylock nuts. **Do not tighten yet.**

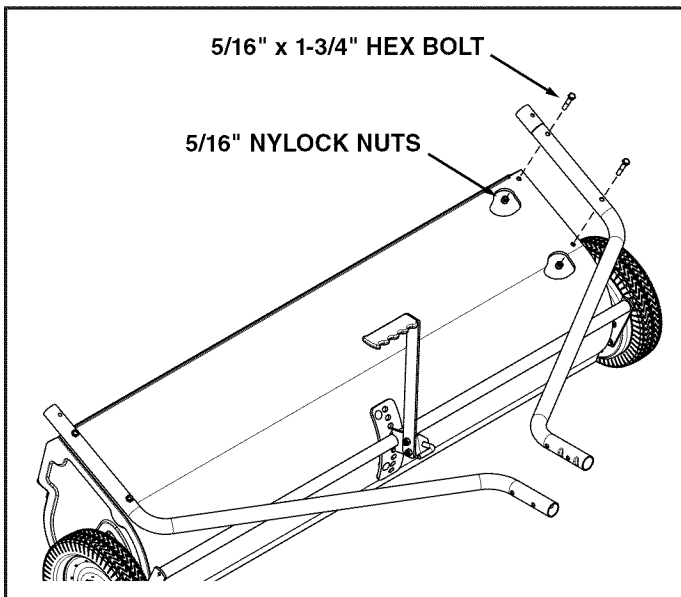


FIGURE 2

- Install two 5/16" x 3" hex bolts and 5/16" nylock nuts in the ends of the hitch tubes. **Do not tighten yet.**

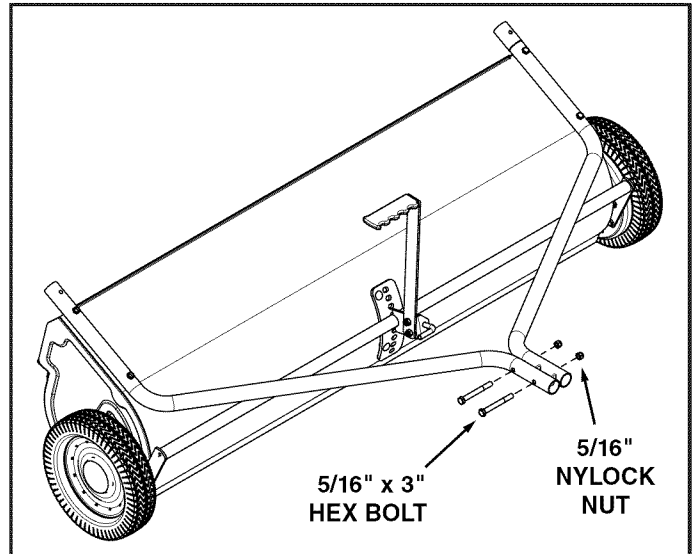


FIGURE 3

- Measure the height of your tractor's drawbar. The height will determine the arrangement of the sweeper hitch brackets.
- Assemble the hitch brackets to the hitch tubes using two 5/16" x 2-1/4" hex bolts and 5/16" nylock nuts. If your tractor drawbar has 10" or more ground clearance, place the bent hitch bracket on top. If it has less than 10" clearance, place the straight hitch bracket on top. **Do not tighten yet.**
- **Tighten** all bolts and nuts in the following sequence: Tighten the bolts and nuts assembled in figure 2. Tighten the bolts and nuts assembled in figure 3. Tighten the bolts and nuts assembled in figure 4.
- Assemble the hitch pin, two 3/4" spacers and the large hairpin cotter to the hitch brackets.

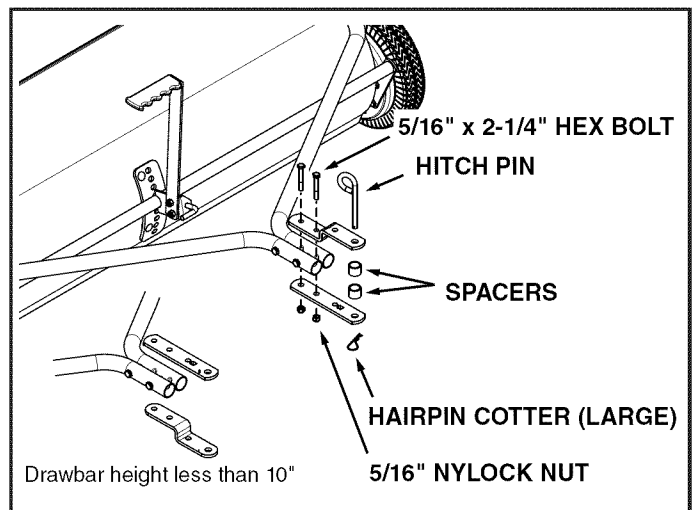


FIGURE 4

- Fit the ends of the two upper hopper tubes into the ends of a rear hopper tube. Align the holes in the ends of the tubes and secure them in place using two 1/4" x 1-1/8" clevis pins and small hairpin cotters.

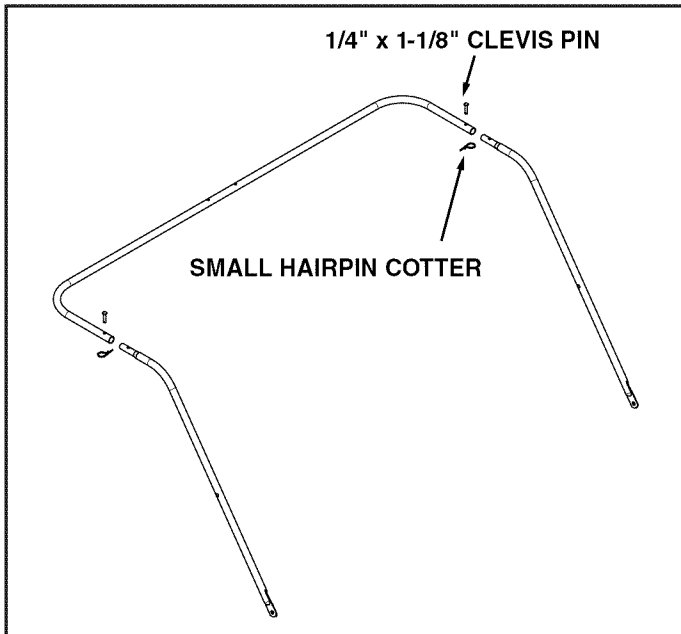


FIGURE 5

- Unfold the hopper bag and lay the bag out with the wind screen on top.
- Place the assembled lower hopper tubes into the bottom of the hopper bag and then slide the tubes to the back of the bag.

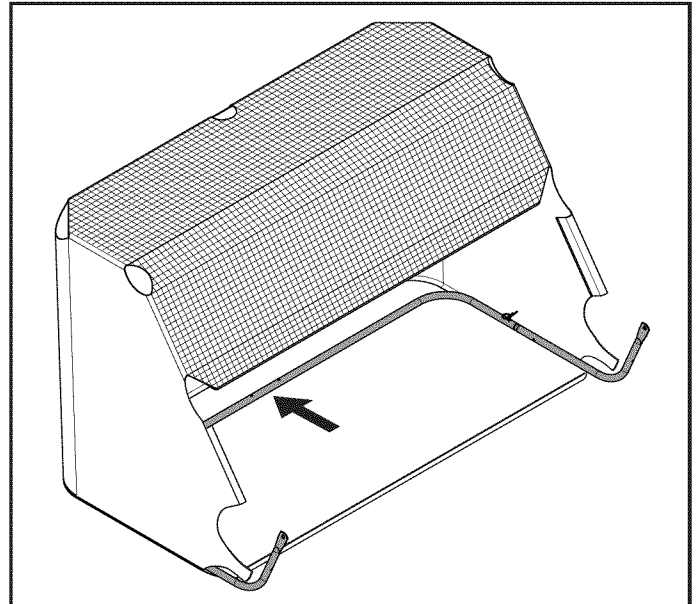


FIGURE 7

- Fit the ends of the two lower hopper tubes into the ends of a rear hopper tube. Align the holes in the ends of the tubes and secure them in place using two 1/4" x 1-1/8" clevis pins and small hairpin cotters.

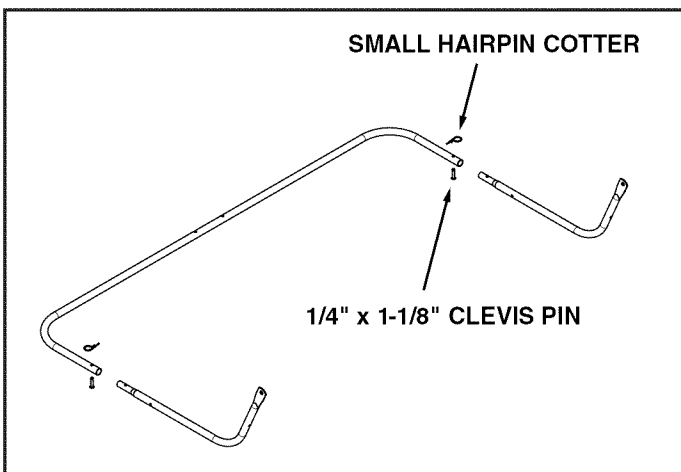


FIGURE 6

- Insert the ends of the assembled upper hopper tubes down through the stitched sleeves in the sides of the hopper bag.

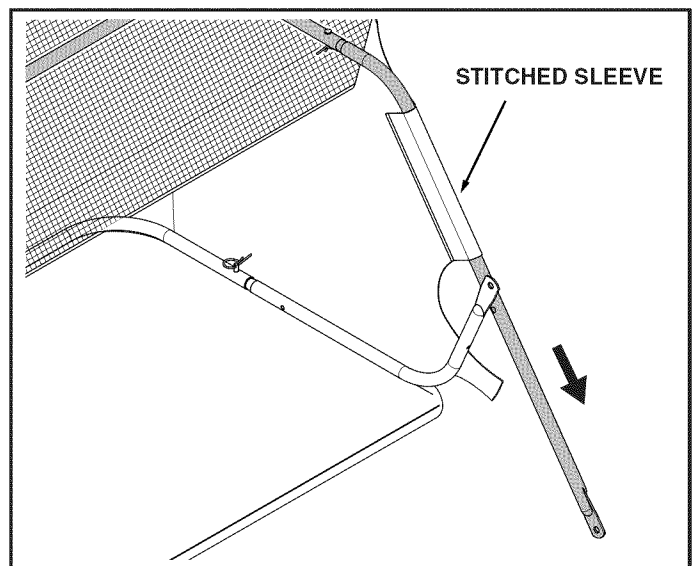


FIGURE 8

- Slide the upper hopper tubes back underneath the mesh wind screen and attach the ends of the upper hopper tubes to the **outside** of the lower hopper tubes using two 3/8" x 3/4" hex bolts and 3/8" nylock nuts, inserting the bolt from the inside of the bag. Tighten and then loosen 1/4 to 1/2 turn.

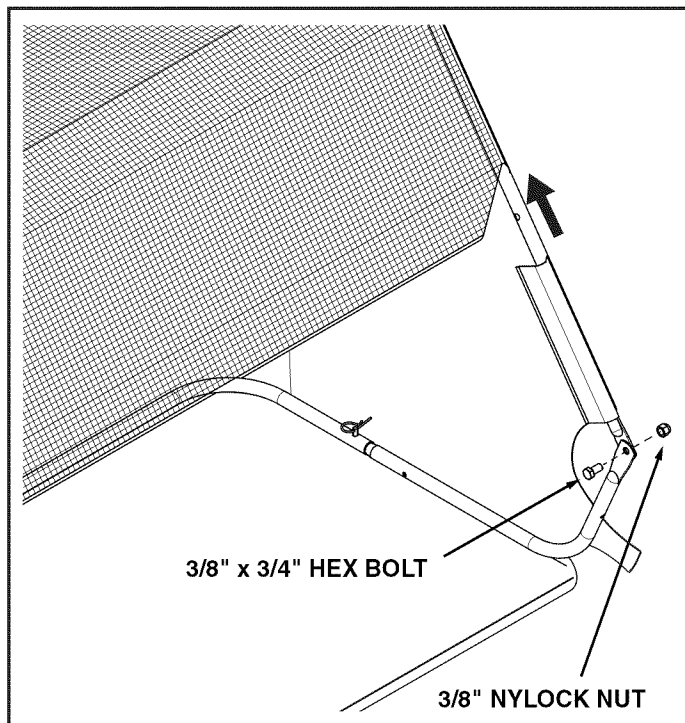


FIGURE 9

- Insert the ends of the hopper support rods into the holes in the upper and lower rear hopper tubes by flexing the rods just enough to fit into the holes.

**IMPORTANT:** Do not over-flex the rods. Over-flexing will cause the steel rods to loose supporting tension.

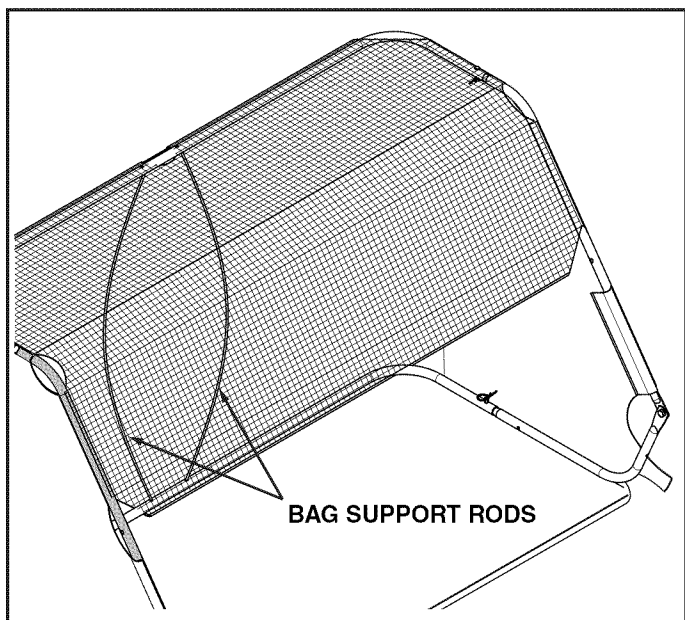


FIGURE 10

- Install the plugs into the ends of the bag arm tubes.

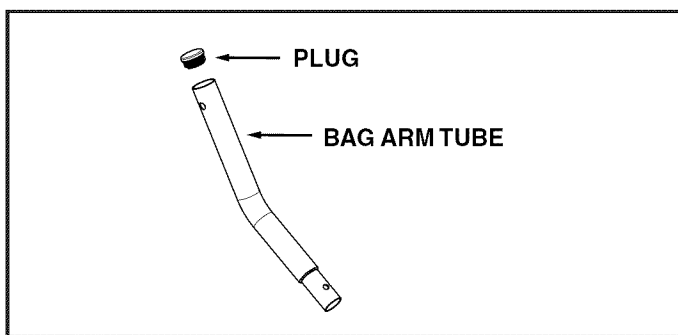


FIGURE 11

- Slide the end of the hopper bag pivot rod through an upper hopper tube and then install a 1" long spacer and a bag arm tube onto the end of the rod.
- Slide the rod through the stitched sleeve at the front of the mesh wind screen and then install another 1" long spacer and bag arm tube onto the rod.

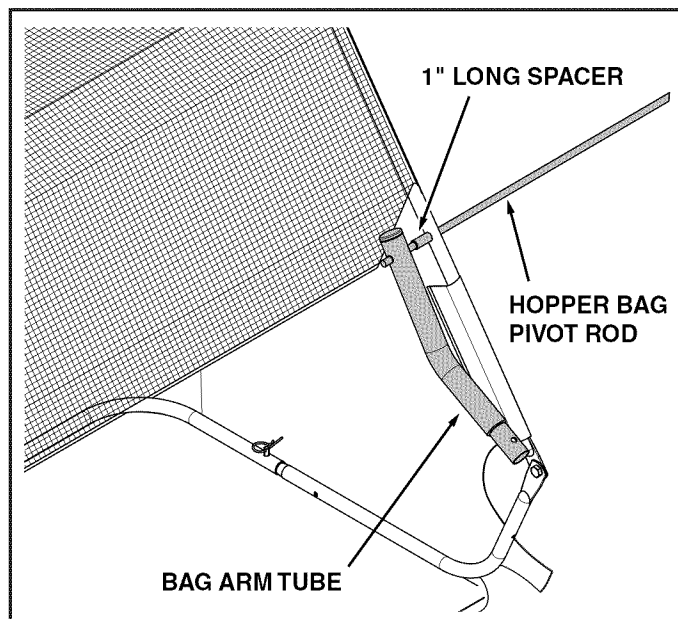


FIGURE 12

- Push the hopper bag pivot rod through the upper hopper tube on the other side of the sweeper, then install a small hairpin cotter in each end of the rod.

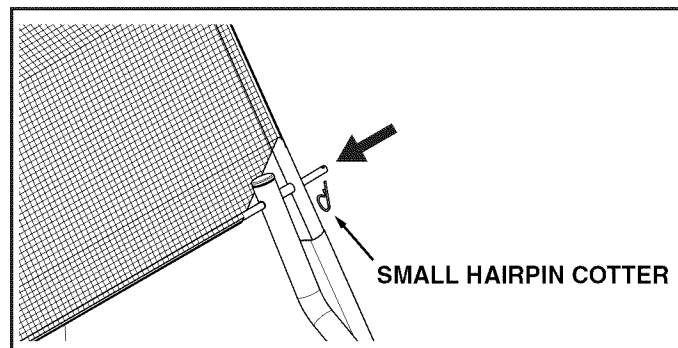


FIGURE 13



- Insert the bag frame strap through the stitched sleeve at the front edge of the bag bottom.

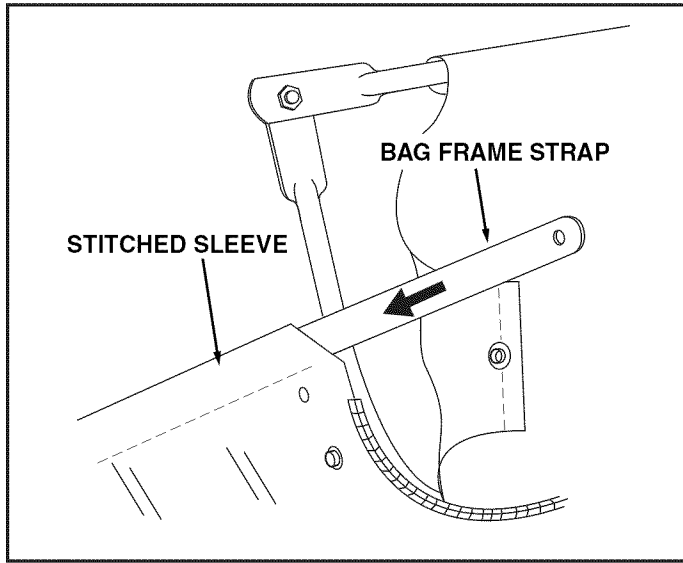


FIGURE 14

- Tie the rope to the center of the upper rear hopper tube.

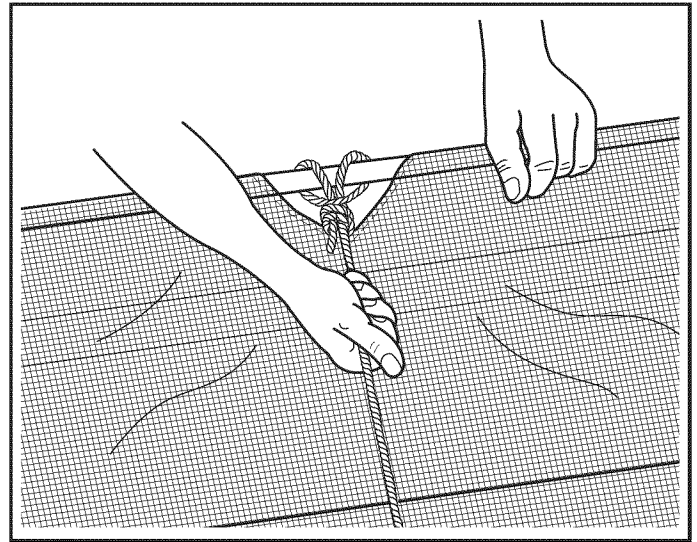


FIGURE 16

- Attach the bag frame strap to the lower hopper tubes using two 1/4" x 1-1/4" hex bolts and 1/4" nylock nuts.
- Fold the bag flaps around the lower hopper tubes and attach to the snaps on the bag bottom.

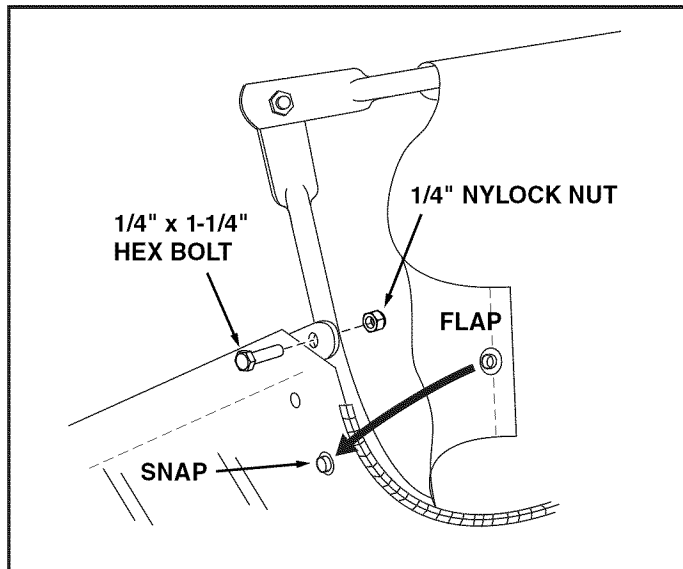


FIGURE 15

- Attach the bag assembly to the sweeper housing, sliding the ends of the bag arm tubes into the ends of the sweeper's hitch tubes. Secure the tubes with two 1/4" x 1-3/4" clevis pins and small hair cotter pins.

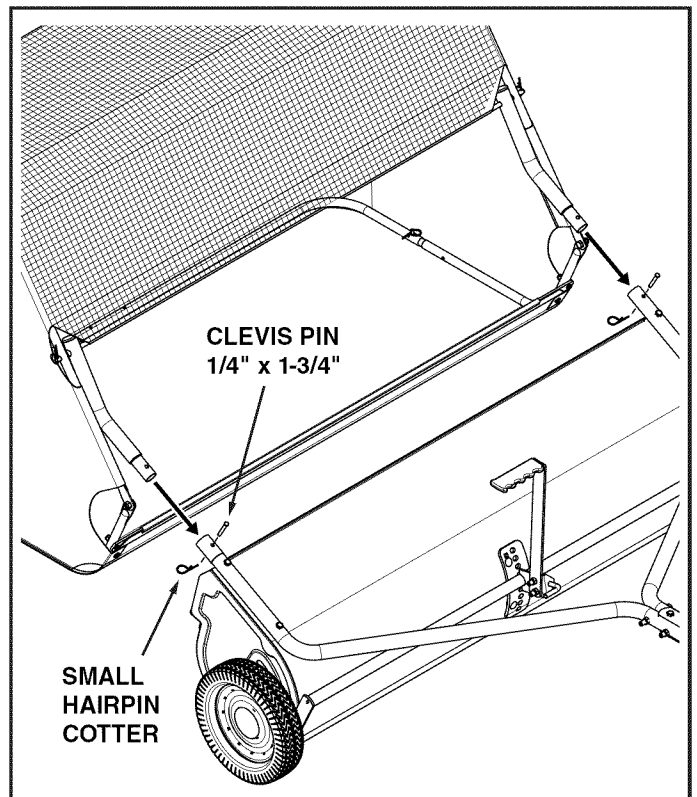


FIGURE 17

## ATTACHING SWEEPER HITCH TO TRACTOR

1. Place the tractor and sweeper on a flat level surface.
2. Set the sweeper height adjustment handle to about the middle of its adjustment range.
3. Attach the sweeper hitch to the tractor hitch, arranging the 3/4" spacers into one of the six possible combinations shown in GROUP A and GROUP B diagrams below.

**IMPORTANT:** To obtain the best performance from your sweeper, arrange the spacers so that the sweeper bag is approximately level with the ground and approximately 5" to 7" off the ground as shown in figure 18.

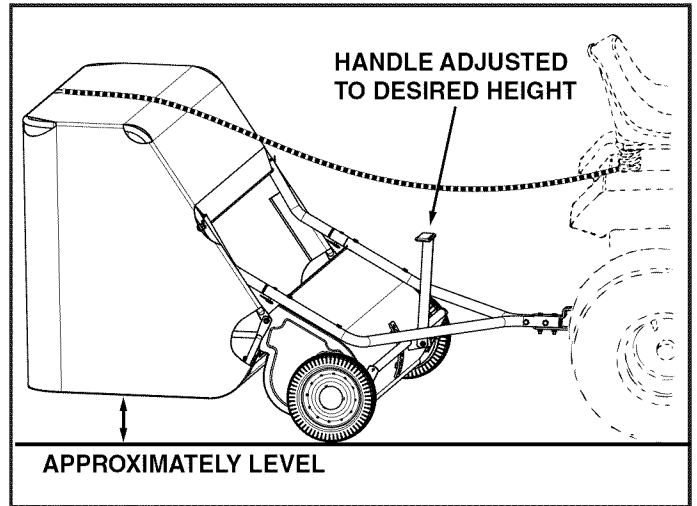
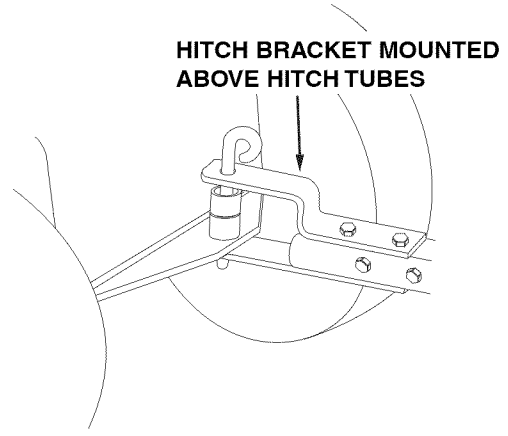
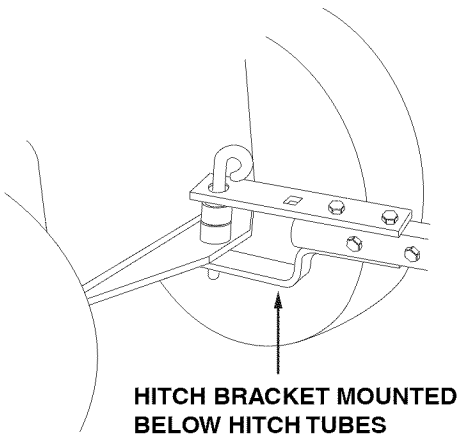


FIGURE 18

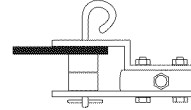
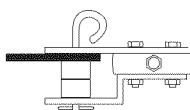
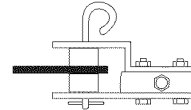
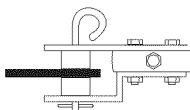
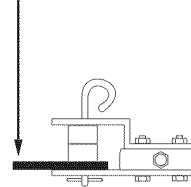
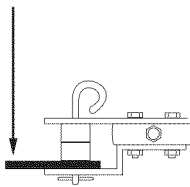
**GROUP "A" - For vehicles with hitches having 8" to 10" ground clearance.**

**GROUP "B" - For vehicles with hitches having 10" to 13" ground clearance.**



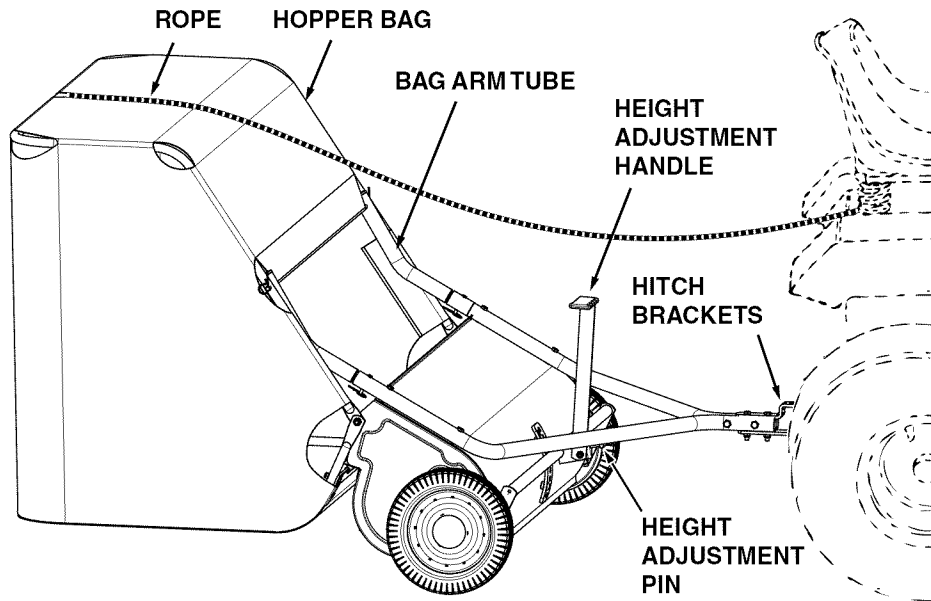
BLACK LINE IS TRACTOR HITCH

BLACK LINE IS TRACTOR HITCH



# OPERATION

## KNOW YOUR SWEEPER



<b>Hopper Bag</b>	Collects grass clippings, leaves and debris.
<b>Rope</b>	Permits dumping of hopper bag from the drivers seat.
<b>Bag Arm Tubes</b>	Connects the hopper bag to the sweeper housing.
<b>Height Adjustment Handle</b>	Adjusts the operating height of the sweeper.
<b>Height Adjustment Pin</b>	Locks the height adjustment handle in desired position.
<b>Hitch Brackets</b>	Connect the sweeper to the towing vehicle. Adjustable for various height tractor hitches.

## HOW TO USE YOUR SWEEPER

### BRUSH HEIGHT ADJUSTMENT

To adjust your sweeper brushes to the best operating height, pull back on the height adjustment pin and use the height adjustment lever to raise or lower the brush. Best adjustment is when the brush setting is 1/2" down into the grass. Always mow the grass to an even height before sweeping. Refer figure 18.

### SWEEPING SPEED

Try a starting speed of approximately 3 m.p.h. (third gear on most tractors). Depending on the conditions, it may be necessary to adjust the sweeping speed in order to achieve best results.

### DUMPING OF SWEEPER

Your sweeper can be dumped easily without getting off of the rider or tractor. Simply pull the rope forward to dump the hopper. Always empty hopper after each use.



**CAUTION: Never attach** the hopper rope to any part of your body or clothing! **Never hold onto** the rope while towing the sweeper! **Attach the rope** to the towing vehicle to keep it away from wheels and rotating parts.



**CAUTION: Keep sweeper away from fire.** Excessive heat can damage the brushes and hopper bag and could cause the bag and its contents to burn.

# MAINTENANCE

## CUSTOMER RESPONSIBILITIES

Read and follow the maintenance schedule and the procedures listed in the maintenance section.

MAINTENANCE SCHEDULE Fill in dates as you complete regular service.	Service Dates						
	Before each use	After each use	Twice a year	Every season	Before storage	Every two years	
Check for loose fasteners	X						
Check for worn or damaged parts	X		X				
Lubricate wheel bearings			X				
Clean Sweeper		X		X			
Clean/Lubricate gears					X		

## SCHEDULED MAINTENANCE

- Clean the sweeper after each use. Check the height adjustment slot for packed debris
- Inspect for worn or damaged parts, such as brushes and wheels. See figure 19.

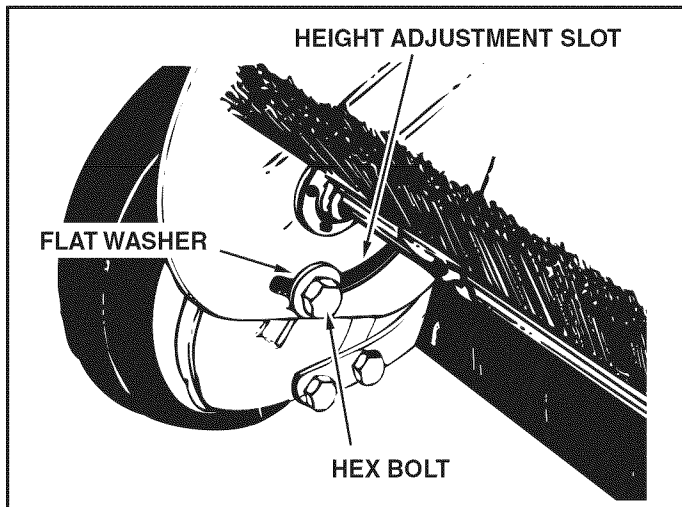


FIGURE 19

- Every two years, remove the wheels and clean the gears found inside the wheel housing. After cleaning, lubricate with an even coat of light grease. To remove the wheel, pop off the hub cap using a screwdriver and remove the lock nut, flat washer and spacer from the end of the bolt inside the sweeper. See figure 20.

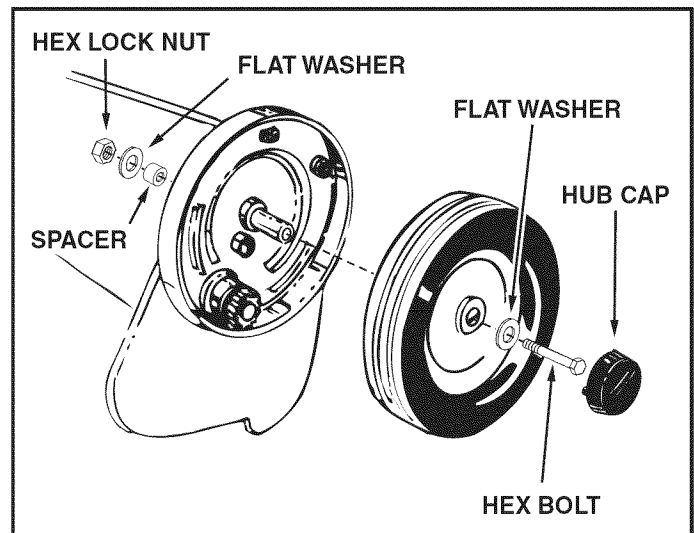


FIGURE 20

## CLEANING

- Clean sweeper housing with a soft brush or cloth.
- Clean debris from hopper bag with a brush or broom.
- Remove any material which has wrapped around brushes or ends of brush shaft.

## STORAGE



**CAUTION:** Before storing the sweeper, always empty the hopper bag to avoid spontaneous combustion.

- Clean the sweeper and hopper bag thoroughly to help prevent rust and mildew.
- To collapse the hopper bag for storage, remove the two hopper support rods from the rear of the hopper.
- Store in a dry area.

# SERVICE AND ADJUSTMENTS

## BRUSH REPLACEMENT

**NOTE:** Brush replacement should be done one brush at a time.

1. Remove the hopper bag from the sweeper.
2. Loosen the hex bolts and lock nuts on two single brush retainers which clamp one brush to the double brush retainers. **Do Not loosen** or remove the bolts which fasten the double brush retainers to the brush shaft. See figure 21.
3. Slide the brush out of the retainers, noting on which side of the brush the bristles overlap. See figure 21.
4. Install new brush, making sure the bristles overlap on the same side of the brush as before. See figure 21.

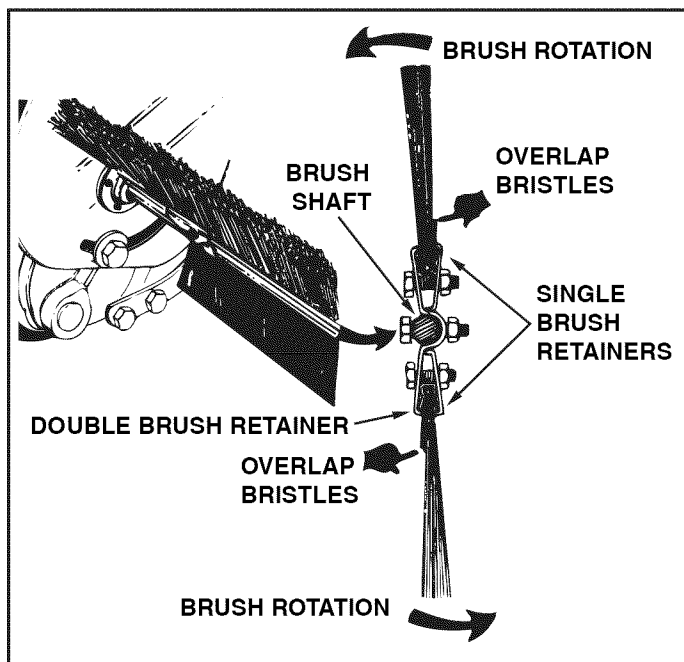


FIGURE 21

## WHEEL GEAR AND PAWL SERVICE

**IMPORTANT:** Do not remove both wheels at the same time to avoid mixing of parts. (The R.H. and L.H. pinion gears are not interchangeable.) **Make notes** on the position of washers and snap rings during disassembly.

1. Remove one wheel from the sweeper.
2. Remove the retaining rings and washers which hold the pinion gear onto the brush shaft.
3. Remove the gear by sliding it off the brush shaft. (Look for the drive pin, which may fall out of the brush shaft when the ratchet gear is removed.) See figure 22.
4. To reassemble, insert the drive pin into the hole in the brush shaft. Make sure the pin slides back and forth easily in the shaft.
5. Lightly grease the shaft and fill the pinion gear with grease. Assemble the gear back onto the shaft.
6. Lightly grease the axle and the wheel's gear teeth and then reassemble the wheel. The brushes should rotate **only** during forward rotation of the wheel. If the brushes are driven (rotated) by both forward and reverse rotation of the wheel, the drive pin is jamming in the pinion gear. Disassemble to clean and lubricate the drive pin and the pinion gear.

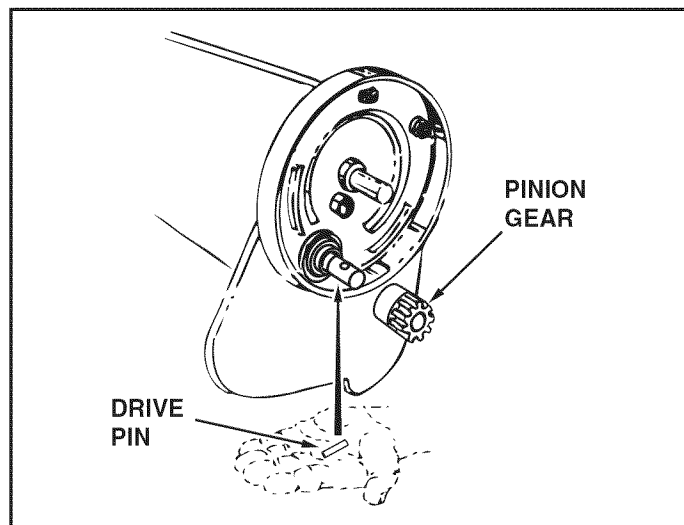


FIGURE 22

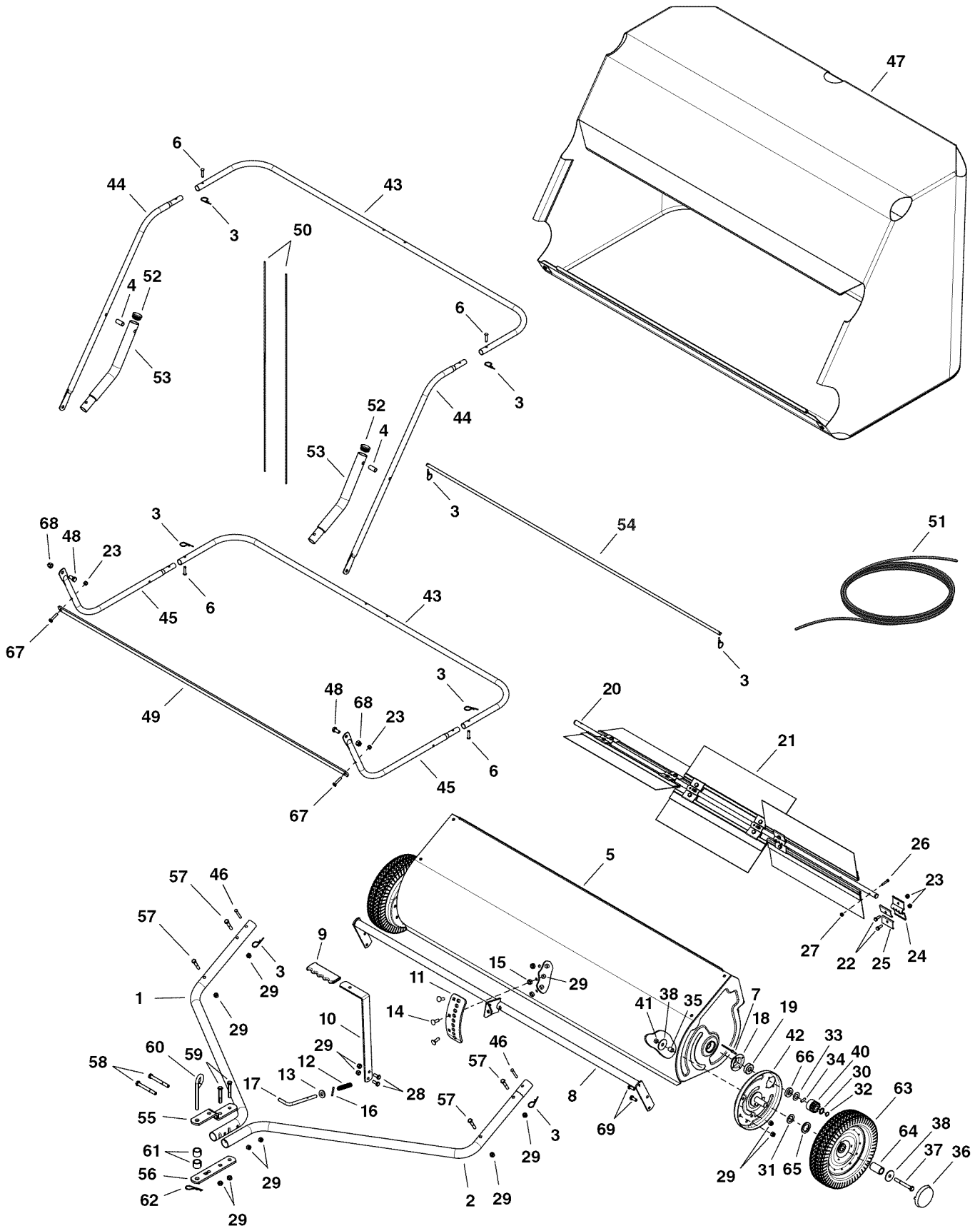
## TROUBLESHOOTING

Wheels skid when sweeping.	<ol style="list-style-type: none"><li>1. Brushes set too low.</li><li>2. Brushes are jammed</li><li>3. Wheels are jammed.</li></ol>	<ol style="list-style-type: none"><li>1. Adjust height till brushes are 1/2" down into grass.</li><li>2. Stop sweeper. Remove obstruction.</li><li>3. Remove one wheel at a time to check for obstruction or damage. Refer to Service and Adjustments section.</li></ol>
----------------------------	---	--

# PARTS

## REPAIR PARTS FOR MODEL 71-24140 - 52" LAWN SWEEPER

To purchase repair parts, call the following toll-free number: 1-888-331-4569



# REPAIR PARTS FOR MODEL 71-24140 - 52" LAWSWEEPER

REF	PART NO.	QTY	DESCRIPTION	REF	PART NO.	QTY	DESCRIPTION
1	28184	1	Hitch Tube, R.H.	36	2674-32	2	Hub Cap
2	28183	1	Hitch Tube, L.H.	37	43574	2	Bolt, Hex 3/8-16 x 3" Lg.
3	43055	8	Hairpin Cotter, 3/32"	38	141	4	Washer, Flat 1-1/2" x .375" x .062"
4	42563	2	Spacer, .375" x .50" x 1.07"	39	2692-6	1	Gear, Pinion R.H. (not shown)
5	68688	1	Housing Assembly	40	2692-7	1	Gear, Pinion L.H.
6	48365	4	Clevis Pin, 1/4" x 1-1/8"	41	42210	2	Nut, Nylock Jam 3/8-16
7	C-9M5732	6	Rivet, Pop	42	68691	2	Ass'y, Dust Cover
8	68689	1	Height Adjustment Assembly	43	28194	2	Hopper Frame (Rear)
9	43943	1	Grip	44	49765	2	Upper Hopper Frame (Front)
10	25537	1	Handle, Height Adjustment	45	48726	2	Lower Hopper Frame (Front)
11	25531	1	Bracket, Height Adjustment	46	46867	2	Pin, Clevis 1/4" x 1-3/4" Lg.
12	HA2394	1	Spring	47	41445	1	Hopper Bag
13	43070	1	Washer, .438" x 1" x .083"	48	43407	2	Bolt, Hex 3/8-16 x 3/4"
14	44326	3	Bolt, Carriage 5/16-18 x 1"	49	28193	1	Strap, Bag Frame
15	23625	3	Spacer, .380" x .62" x .27"	50	43938	2	Rod, Hopper Support
16	44665	1	Pin, Roll 5/32" x 1-1/4"	51	43737	1	Hopper Rope
17	46908	1	Pin, Height Adjustment	52	47674	2	Plug
18	1629-56	2	Retainer, Dust Cover	53	28196	2	Tube, Bag Arm
19	44232	2	Ball Bearing	54	28195	1	Rod, Hopper Bag
20	28197	1	Brush Shaft	55	23687	1	Bracket, Hitch
21	45252	6	Brush, 52"	56	24192	1	Bracket, Hitch (Straight)
22	43012	12	Bolt, Hex 1/4-20 x 3/4" Lg.	57	43084	4	Bolt, Hex 5/16-18 x 1-3/4" Lg.
23	47189	14	Nut, Nylock 1/4-20 Thread	58	46782	2	Bolt, Hex 5/16-18 x 3" Lg.
24	23580	6	Retainer, Brush (Double)	59	43224	2	Bolt, Hex 5/16-18 x 2-1/4" Lg.
25	23581	12	Retainer, Brush (Single)	60	23353	1	Pin, Hitch
26	49954	6	Bolt, Hex 10-32 x 1" Lg.	61	23368	2	Tube, Hitch Spacer
27	47171	6	Nut, Nylock 10-32	62	43343	1	Hairpin Cotter, 1/8"
28	43182	2	Bolt, Hex 5/16-18 x 3/4" Lg.	63	40113	2	Wheel & Tire (includes item #64)
29	47810	17	Nut, Nylock 5/16-18 Thread	64	40109	2	Bushing, Bronze
30	44006	2	Washer, Flat .849" x .598" x .025"	65	HA4143	2	Washer, 1.04" x 1.5" x .145"
31	1540-31	2	Washer, Flat .78" x 1.25" x .062"	66	23520	2	Spacer, .660" x .250" x .250" L
32	42094	2	Ring, Retaining .562" ID	67	1509-90	2	Bolt, Hex 1/4-20 x 1-1/4"
33	40001	8	Washer, Shim 1.125" x .595" x .020"	68	HA21362	2	Nut, Nylock 3/8-16
34	47046	2	Dowel Pin (Drive)	69	43814	4	Screw, 5/16-18 x 3/4" Lg.
35	48866	2	Spacer, .38" x .50" x .53"		42024	1	Owners Manual

# **CRAFTSMAN®**

**Product questions or problems?**

# **1-888-331-4569**

## **Customer Care Hot Line**

**Get answers to questions, troubleshoot problems,  
order parts, or schedule repair service.**

Para respuestas a preguntas o problemas, y ordenar  
piezas o pedir servicio para la reparación de su equipo.

**To help us help you, register your product at [www.craftsman.com/registration](http://www.craftsman.com/registration)**

Para poderte ayudar mejor, registra tu producto en [www.craftsman.com/registration](http://www.craftsman.com/registration)

**Join the Craftsman Club today!**

# **CRAFTSMAN CLUB®**

**[www.craftsman.com/signup](http://www.craftsman.com/signup)**

**Receive exclusive member benefits including special pricing and offers,  
project sharing, expert advice, and SHOP YOUR WAY REWARDS!**

Como miembro exclusivo, recibe diversos beneficios como ofertas, precios especiales, proyectos nuevos, consejos de expertos y nuestro programa de puntos SHOP YOUR WAY REWARDS!