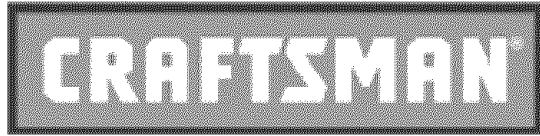
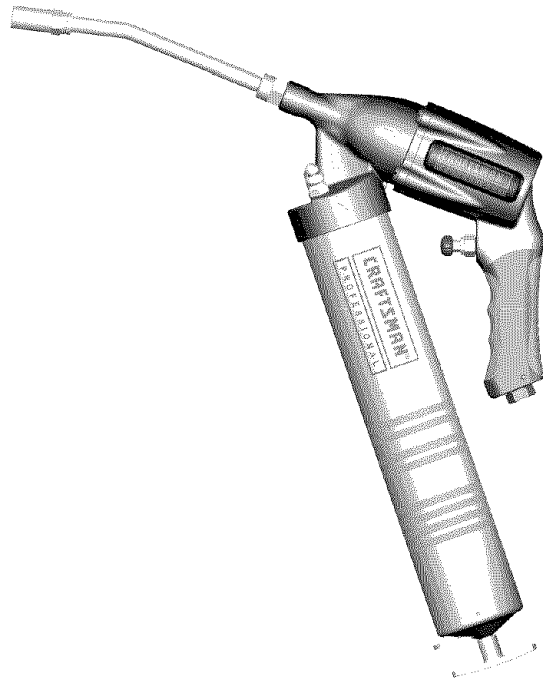


Owner's Manual



Continuous Operation **AIR GREASE GUN**

Model No.
875.199590



WARNING:

Before operating tool, read this manual and follow all Safety Recommendations and Operating Instructions.

- ◆ Safety
- ◆ Warranty
- ◆ Features & Operation
- ◆ Maintenance
- ◆ Español

Distributed by Sears, Roebuck and Co., Hoffman Estates, IL 60179
www.Sears.com

SAFETY INSTRUCTIONS

Read Operating Instructions

Please become familiar with all the instructions and warnings before operating any pneumatic tool.

Always Wear Approved Eye Protection

Impact resistant eye protection should meet or exceed the standards set forth in ANSI Z87.1, Occupational and Educational Eye and Face Protection. Look for marking Z87.1 on your eye protection to ensure that it is an approved style.

Hearing Protection is Recommended

Hearing protection should be used when the noise level exposure equals or exceeds an 8 hour time-weighted average sound level of 85dBA. Process noise, reflective surfaces, other tools being operated nearby, all add to the noise level in a given work area. If you are unable to determine your noise level exposure, we recommend the use of hearing protection.

Avoid Prolonged Exposure to Vibration

Pneumatic tools can vibrate during use. Prolonged exposure to vibration or very repetitive hand and arm movements can cause injury. Discontinue the use of any tool if you experience tingling, numbness, discomfort or pain in your hands or arms. You should consult your physician before resuming use of tool.

90 PSI Maximum

This tool is designed to operate at an air pressure of 90 pounds per square inch gauge pressure (90 PSI) maximum, at the tool. Use of higher air pressure can, and may cause injury. Also, the use of higher air pressure places the internal components under loads and stresses they were not designed for, causing premature tool failure.

NOTE: THE AIR SUPPLY SHOULD BE CLEAN, DRY AND PREFERABLY LUBRICATED. FOR BEST RESULTS DRAIN THE MOISTURE FROM YOUR COMPRESSOR DAILY.

WARNING

Some dust created by power sanding, sawing, grinding, drilling and other construction activities contains chemicals known to cause cancer, birth defects or other reproductive harm. Some examples of these chemicals are:

- Lead from lead based paint
- crystalline silica from bricks and cement and other masonry products, and
- arsenic and chromium from chemically-treated lumber.

Your risk from those exposures varies, depending on how often you do this type of work. To reduce your exposure to these chemicals: work in a well ventilated area, and work with approved safety equipment, such as dust masks that are specifically designed to filter out microscopic particles.

WARRANTY

FULL ONE YEAR WARRANTY ON CRAFTSMAN AIR-DRIVE TOOLS

If this Craftsman tool fails to give complete satisfaction within one year from the date of purchase, RETURN IT TO THE NEAREST SEARS STORE IN THE UNITED STATES, and Sears will repair it free of charge. If this Craftsman tool is used for commercial or rental purposes, this warranty applies for only 90 days from the date of purchase. This warranty gives you specific legal rights, and you may also have other rights which vary from state to state.

Distributed by Sears, Roebuck and Co., Dept. 817WA, Hoffman Estates, IL 60179.

FEATURES/SPECIFICATIONS

The Craftsman Model 875.199590 Continuous Flow Grease Gun is designed for both automotive as well as heavy industrial usage.

Features

The Craftsman professional Continuous Flow Grease Gun Model 875.199590 is designed to operate at 60 to 150 PSI. Lower pressure will reduce the performance of the tool, while pressure higher than the rated 150 PSI will damage the internal components to the tool.

- Exclusive air piston design assures self priming.
- Fully automatic; cycles continuous grease flow when the trigger is depressed.
- Heavy duty spring for prime retention.
- High pressure performance with 60 to 150 PSI generated at the compressor allows the tool to deliver 2400 to 6000 PSI (40:1 ratio) of pressure into the desired fitting.

INSTALLATION / PRE-OP

Pre-Operation

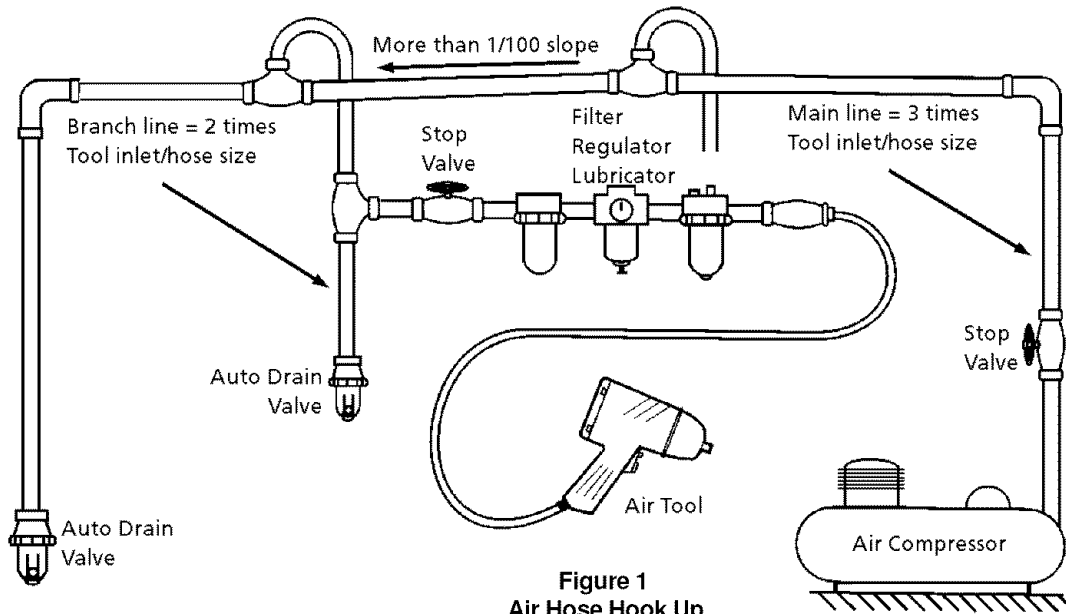
Before the tool is connected to the air supply, clear the air hose of accumulated dust and moisture by running air freely through the air hose for 5-10 seconds. Before removing a tool for service or changing sockets, make sure the air line is shut-off at the compressor. This will prevent the tool from operating if the throttle is accidentally engaged.

Installation (See figure 1)

This tool is designed to operate at 90 psi. Lower pressure (below 90 psi) will reduce performance of the tool while higher air pressure (over 90 psi) raises the performance of the tool beyond its rated capacity and could cause serious damage to tool and user.

Always use clean dry air. Excessive moisture and dirt will greatly reduce the life of any air motor. We recommend the installation of an in-line filter-regulator-lubricator as close to the tool as possible.

A 3/8" air hose is required up to a length of 8 ft. If more length is required a 1/2" air hose should be used at the compressor. Attach a 3/8" whip hose for the remaining 4 - 8 ft. for flexibility. Be sure all hoses and fittings are the correct size and tightly secured before using air tool.



LOADING GREASE GUN

Instructions for the 3 ways to load your grease gun:

1. Cartridge Loading:

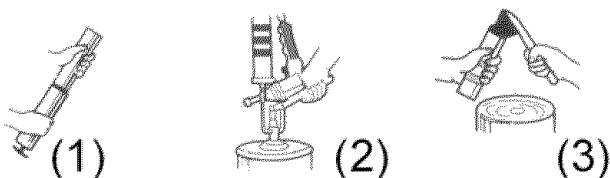
- Remove the canister from the head.
- Draw the plunger head back completely.
- Insert the open end of the cartridge into the cannister of the grease gun. Remove the seal or pull-tab from the other end of the tube and tightly re-attach the cannister to the gun head.
- Press the plunger release valve at the bottom of the cannister and release the plunger rod and pull down the plunger handle.

2. Loading with a filler pump:

- Draw back the plunger handle completely.
- Insert plug into the filler pump socket. Make sure the socket is securely fastened to the plug.
- Operate the grease gun from the filler pump.
- Disconnect the grease gun from the filler pump.
- Press the plunger release valve and pull down plunger handle.

3. Bulk Filling:

- Remove canister from grease gun head.
- Draw back the plunger handle completely and bulk fill grease into empty canister.
- Re-attach the canister to the gun head and press the plunger release valve. Pull down the plunger handle and begin using.



MAINTENANCE

Lubrication

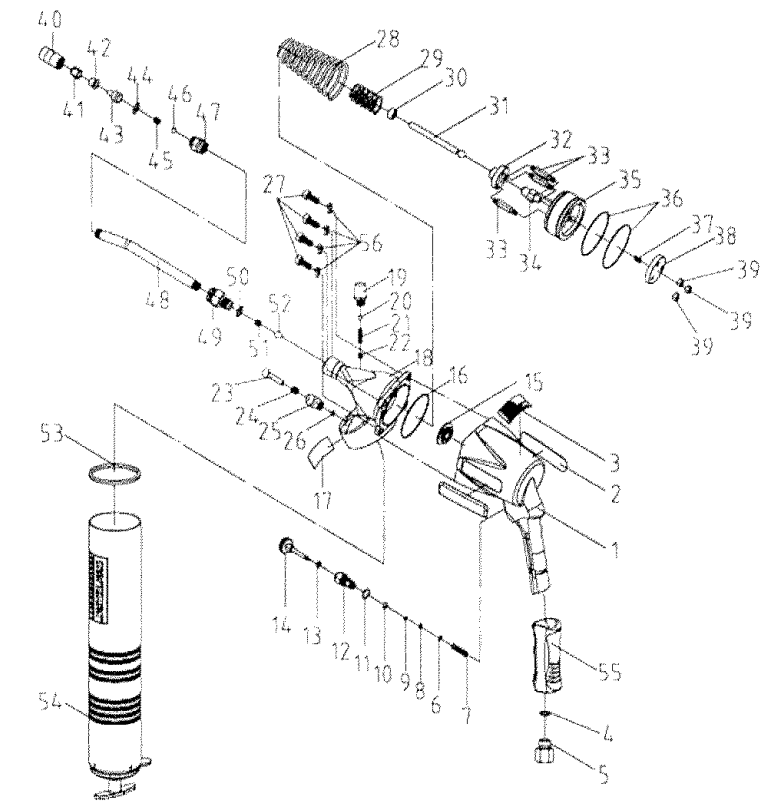
An in-line filter-regulator-lubricator (fig 1) is recommended as it increases tool life and keeps the tool in sustained operation. The in-line lubricator should be regularly checked and filled with air tool oil. Proper adjustment of the in-line lubricator is performed by placing a sheet of paper next to the tools exhaust ports and holding the throttle open approximately 30 seconds. The lubricator is properly set when a light stain of oil collects on the paper. Excessive amounts of oil should be avoided.

In the event that it becomes necessary to store the tool for an extended period of time (overnight, weekend, etc.), it should receive a generous amount of lubrication through the air inlet (fig 3). The tool should be run for approximately 30 seconds to ensure oil has been evenly distributed throughout the tool. The tool should be stored in a clean and dry environment.

Recommended lubricants: Use air tool oil or any other high grade turbine oil containing moisture absorbent, rust inhibitors, metal wetting agents and an EP (extreme pressure) additive. (See Fig. 3 for location/air inlet).

Sears CRAFTSMAN PRO Model 875.199590 Continuous Operation Air Grease Gun

Exploded View and Parts List



Ref.	Part No.	Description	Q'ty	Ref.	Part No.	Description	Q'ty
1	9106391	Housing	1	29	9106419	Tower Spring	1
2	9106392	Brand Trademark	2	30	9106420	Washer	1
3	9106393	Label	1	31	9106421	Lever	1
4	9106394	O-Ring	2	32	9106422	Lever Fix Pedestal	1
5	9106395	Air Inlet Bushing	1	33	9106423	Fix Stick	3
6	9106396	E-Clip	1	34	9106424	Piston Seat	1
7	9106397	Tower Spring	1	35	9106425	Cylinder Piston	1
8	9106398	Shield	1	36	9106426	O-Ring	1
9	9106399	O-Ring	1	37	9106427	Spring	1
10	9106400	O-Ring	1	38	9106428	Piston Film	1
11	9106401	O-ring	1	39	9106429	Screw Cap	3
12	9106402	Trigger Valve	1	40	9106430	Retainer	1
13	9106403	O-Ring	1	41	9106431	Arc Board	4
14	9106404	Trigger	1	42	9106432	Bushing	1
15	9106405	Washer	1	43	9106433	Rubber Seat	1
16	9106406	O-Ring	1	44	9106434	O-Ring	1
17	9106407	Label	1	45	9106435	Tower Spring	1
18	9106408	Nose Piece	1	46	9106436	Steel Ball	1
19	9106409	Valve	1	47	9106437	Screw	1
20	9106410	Steel Ball	1	48	9106438	Nozzle	1
21	9106411	Spring	1	49	9106439	Screw	1
22	9106412	Screw	1	50	9106440	O-Ring	1
23	9106413	Valve Stem	1	51	9106441	Tower Spring	1
24	9106414	Spring	1	52	9106442	Steel Ball	1
25	9106415	Vacuum Valve	1	53	9106443	O-Ring	1
26	9106416	O-Ring	1	54	9106444	Container Tube	1
27	9106417	Cap Screw	4	55	9106445	Handle Grip	1
28	9106418	Tower Spring	1	56	9106446	Washer	1

Troubleshooting

Symptom	Possible Cause	Corrective Action
Tool runs slowly or will not operate	1. Grit or gum in tool	1. Flush the tool with air tool oil or gum solvent.
	2. No oil in tool	2. Lubricate the tool according to the lubrication instructions in this manual
	3. Low air pressure	3. a. Adjust the regulator on the tool to the maximum setting b. Adjust the compressor regulator to tool maximum of 90 psi.
	4. Air hose leaks	4. Tighten and seal hose fittings if leaks are found use teflon tape.
	5. Pressure drops	5. a. Be sure the hose is the proper size. Long hoses or tools using large volumes of air may require a hose with an I.D. of 1/2" or larger depending on the total length of the hose b. Do not use a multiple number of hoses connected together with quick connect fittings. This causes additional pressure drops and reduces the tool power. Directly connect the hoses together
	6. Worn rotor blade in motor	6. Replace rotor blade
	7. Worn ball bearing in motor	7. Remove and inspect bearing for rust, dirt and grit. Replace or clean and grease bearing with bearing grease
Moisture blowing out of tool exhaust	1. Water in tank	1. Drain tank. (See air compressor manual). Oil tool and run until no water is evident. Oil tool again and run 1-2 seconds
Impacts slowly or will not impact	1. Lack of lubrication	1. Lubricate the air motor and the impact mechanism. (See Lubrication section of this manual)
	2. Tool regulator set in wrong position	2. Adjust the regulator on the tool to the maximum setting
	3. In-line regulator or compressor regulator set too low	3. Adjust regulators in the air system
Impacts rapidly but will not remove bolts	1. Worn impact mechanism	1. Replace worn impact mechanism components
Does not impact	1. Broken impact mechanism	1. Replace broken impact mechanism components