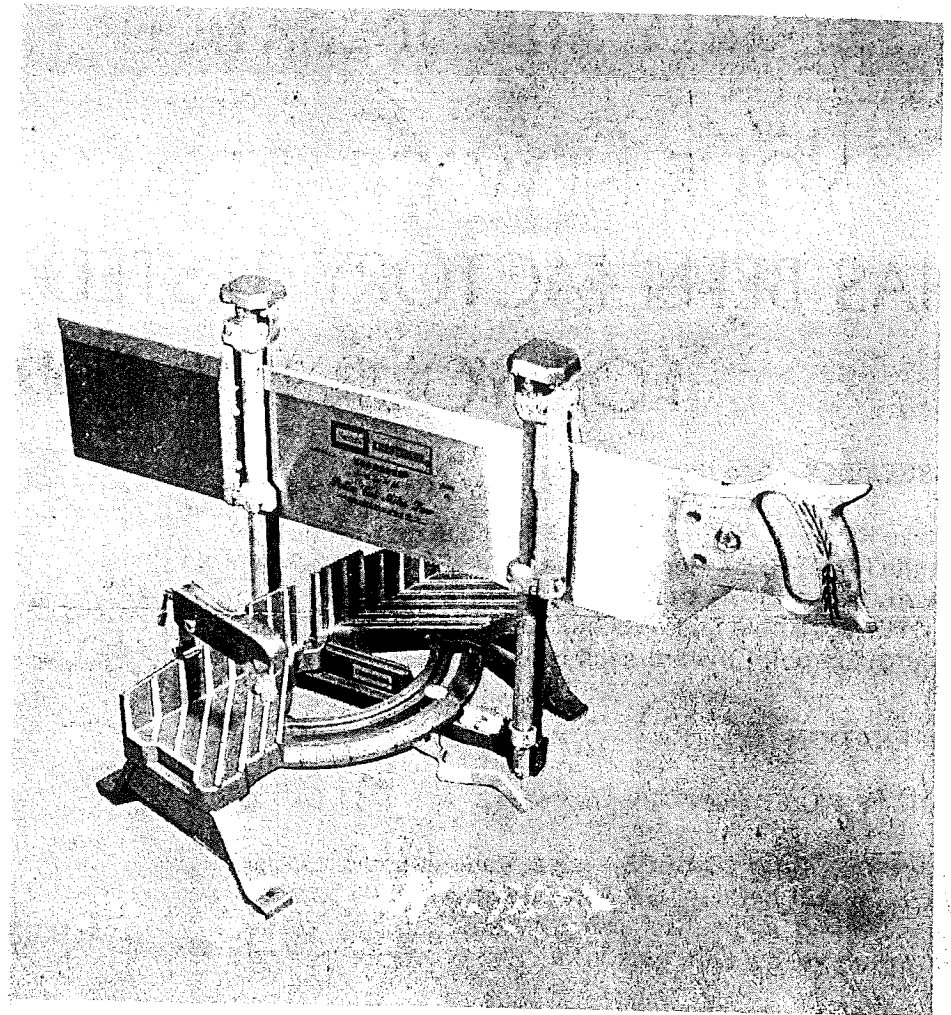


Sears
owners
manual



MODEL NO.
881.36505

CRAFTSMAN MITER BOX

Operating Instructions
Repair Parts

Sears, Roebuck and Co., Chicago, Ill. 60684 U.S.A.
and Simpsons Sears Limited, Toronto, Ontario

ASSEMBLY AND OPERATION

YOUR NEW CRAFTSMAN MITER BOX HAS BEEN FACTORY TESTED AND ADJUSTED FOR YOUR IMMEDIATE USE

ASSEMBLY—See Illustration #1

Place RODS in PIVOT ARM SLOTS and align with holes in the PIVOT ARM. Secure these rods with the #10-24 x $\frac{3}{4}$ rd. head screws provided in the attached bag.

NOTE: Assemble guide so the arrows on the front and rear guide point toward each other.

OPERATION

ANGLE SELECTION—Illustration #2

To move SAW GUIDES, raise yellow CAM LOCK LEVER, pull INDICATOR PIN and move pivot arm to any desired angle. Release indicator pin and press down on yellow cam lock lever.

SAW HANGER—Illustration #3

SAW HANGERS are designed to hold saw while setting angles or placing and removing work from cutting surface. To engage saw hangers, raise saw to top of guide rods. To release saw, depress the front and rear CAP.

DEPTH STOP—Illustration #4

The DEPTH STOP prevents any possibility of the saw striking the miter box and enables the operator to regulate the depth of any particular cut. To limit cutting depth, raise front and rear depth stop to desired height.

WORK CLAMP - Illustration #5

The "tru-cut" clamping system incorporates a fast pivoting clamp that securely holds 4" x 4" pieces as easily as $\frac{1}{4}$ " x $\frac{1}{4}$ ". The multi-faced clamp will hold irregular shaped moldings without marring. "Tru-cut" clamping is similar to "C" clamps where the force is directed toward itself with no pressure directed unequally on any of your miter box parts, which would cause distortion. Support brackets for clamps are provided left and right of the saw enabling clamping on either side. However this clamping device will work independent of the support brackets.

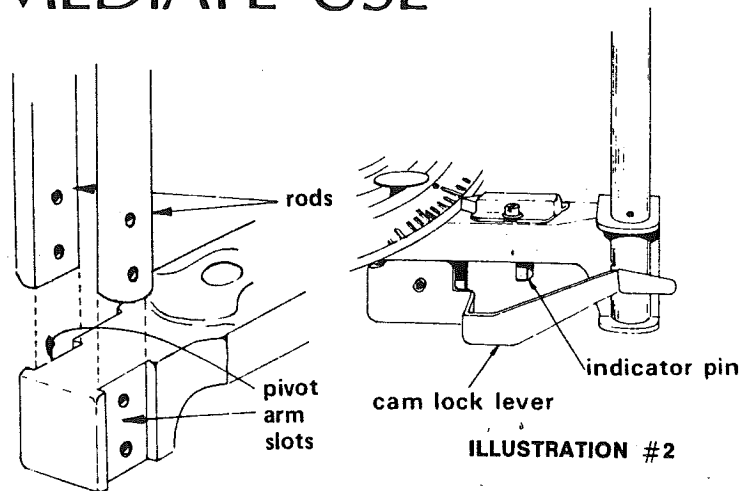


ILLUSTRATION #1

ILLUSTRATION #2

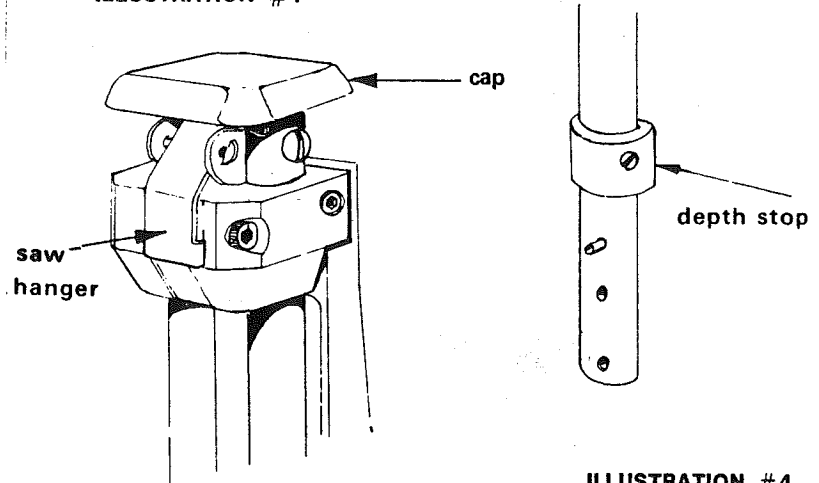


ILLUSTRATION #3

ILLUSTRATION #4

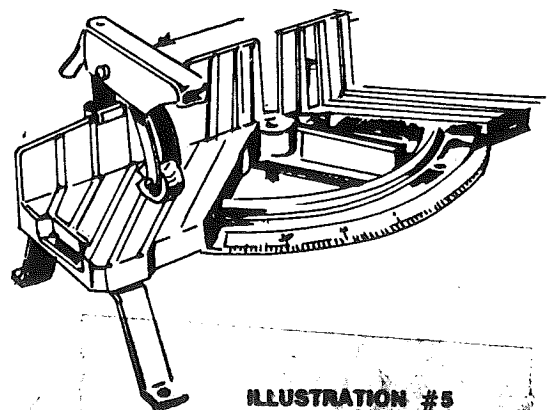
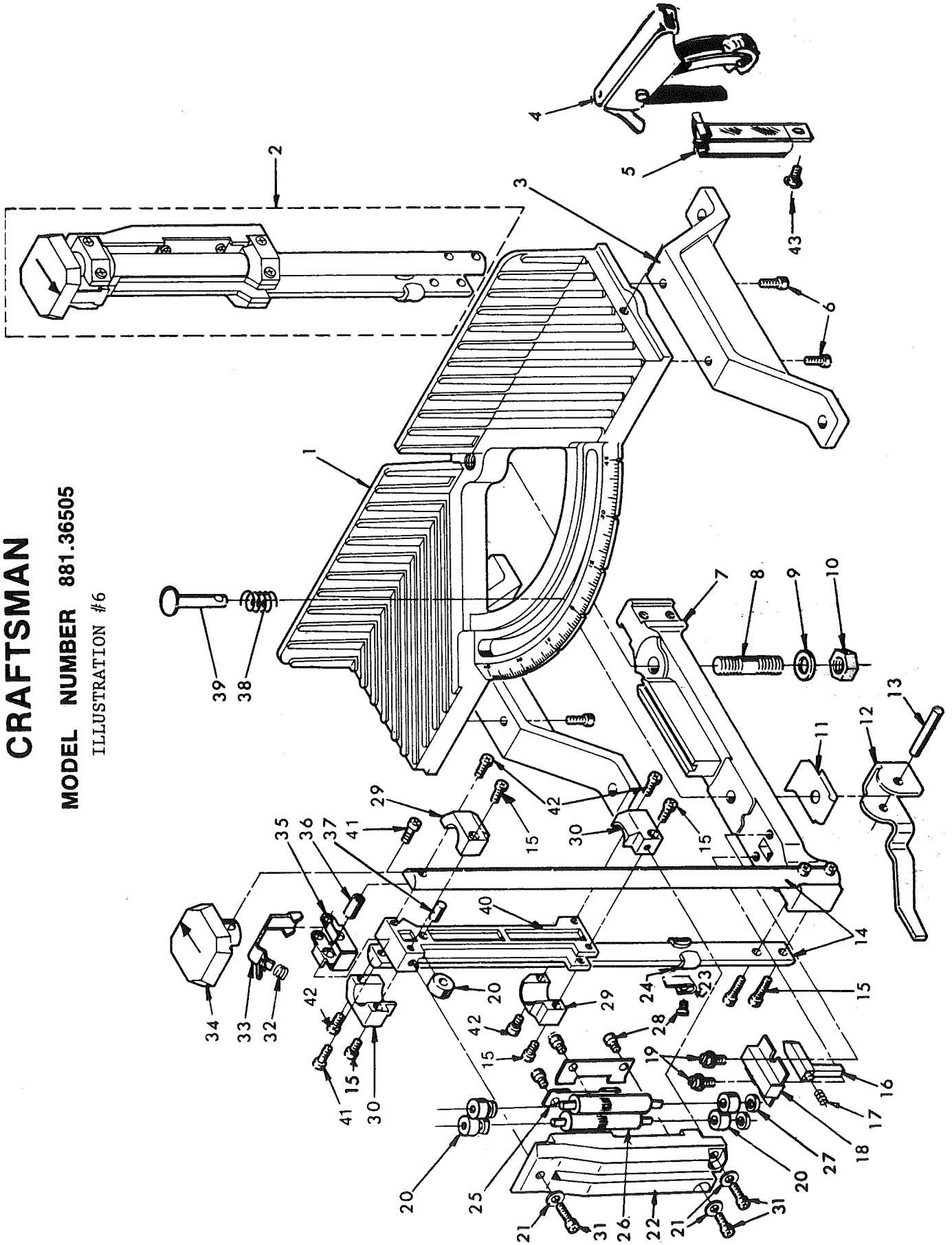


ILLUSTRATION #5

Repair Parts CRAFTSMAN

MODEL NUMBER 881.36505

ILLUSTRATION #6



ADJUSTMENTS

ADJUSTMENTS—IMPORTANT:

This miter box was adjusted, saw-tested and carefully checked for accuracy at the factory. Check carefully before making adjustments.

VERTICAL ADJUSTMENTS—See Illustration #7

Turn the SCREWS counterclockwise $\frac{1}{4}$ turn to free GUIDE CASTING. Repeat on the rear guide. Slightly move lower part of guide casting to correct vertical cut.

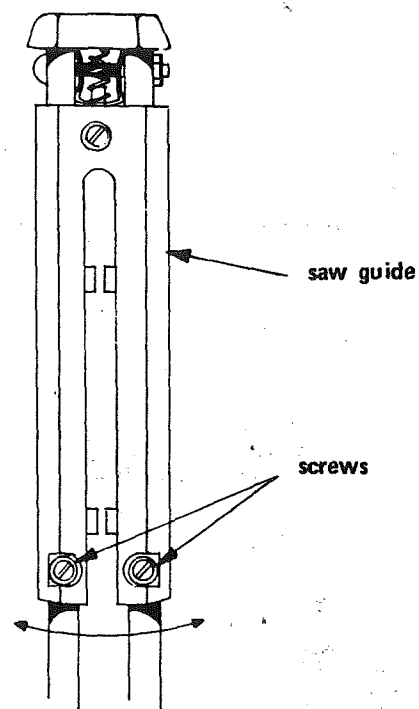


ILLUSTRATION #7

HORIZONTAL ADJUSTMENTS—See Illustration #8

- Set angle indicator pin in $^{\circ}$ notch. Loosen screws and raise cam lock lever.
- Holding a square or right triangle lightly against the saw, move the pivot arm left or right until the saw is at right (90°) angle to the back.
- Press cam lock lever down, tighten screws and re-check with your square. Now once again your tool will be in perfect adjustment.

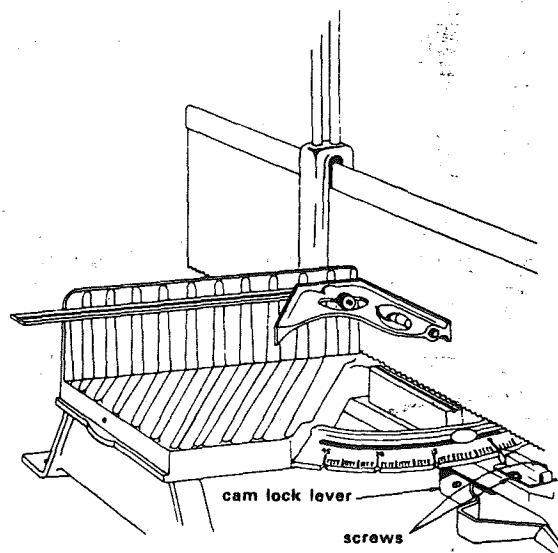


ILLUSTRATION #8

Further adjustments can be made if, for example, the saw or a new saw fits too loosely or too tightly between the rollers. These rollers can be brought closer together or farther apart, thus restricting or releasing pressure against the saw. These rollers are mounted with eccentric bushings, which when rotated, can bring these rollers closer together or further apart. Access to these bushings is achieved by the removal of the retaining plate (see exploded view). **Caution:** Whenever this type of adjustment is made, it is likely that upon completion you will need to make the horizontal adjustment above. The saw should glide freely between rollers, yet not wobble.

REPAIR PARTS

SEARS MODEL NUMBER 881.36505

KEY NO.	PART NO.	DESCRIPTION	NO. OF PARTS REQ.	KEY NO.	PART NO.	DESCRIPTION	NO. OF PARTS REQ.
1	12470-0	Operating Instructions and Repair Parts Manual.....		21	4020	Flat Washer—7/32" ID x 1/2" OD	6
2	124-505	Miter Box Base.....	1	22	12470-2	Saw Guide Roller Housing.....	2
3	80222	Saw Guide—Complete Assembly.....	2	23	12470-24	Brass Shoe for Saw Stop.....	2
4	8005	Base Leg.....	2	24	8038	Saw Stop.....	2
5	19000	Tru-Cut Clamp.....	1	25	12470-9	Retaining Plate.....	4
6	19015	Clamp Bracket Assemblies.....	2	26	12470-25	Eccentric Pin.....	4
7	8006	Self Tapping, Round Head, Type 23, #10-24 x 3/4" Long.	4	27	3021	Roller Spacer.....	4
8	12470-1	Pivot Arm.....	1	28	2015	Round Head Machine Screw #10-24 x 3/8" Long.....	10
9	3028	Pivot Stud.....	1	29	12470-5	Saw Guide Post Cap (L.H.).....	4
10	3029	Flat Washer—17/32" ID x 1-1/16" OD.....	1	30	12470-13	Saw Guide Post Cap (R.H.).....	4
11	3030	Lock Nut, 1/2-20.....	1	31	12470-18	Round Head Machine Screw #10-24 x 5/8" Long.....	6
12	8046	Cam Support.....	1	32	12470-17	Compression Spring.....	2
13	8041	Cam Lock Lever.....	1	33	12470-6	Saw Hanger.....	2
14	8047	Roll Pin—3/16" Dia. x 1 1/2" Long.....	1	34	12470-15	Saw Hanger Cap & Guide Assembly.....	2
15	12470-3	Saw Guide Post.....	4	35	12470-11	Saw Hanger Carrier.....	2
	12470-14	Round Head Machine Screw.....		36	12470-7	Guide Post Spacer.....	2
		*#10-24 x 3/4" Long.....	16	37	12470-16	Upper Saw Guide Roller Pin.....	2
16	3027	Indicator Pin.....	1	38	8040	Spring.....	1
17	3024	Compression Spring.....	1	39	8036	Clamp Pin.....	1
18	3026	Indicator Pin Retainer.....	1	40	12470-4	Guide Spacer.....	2
19	3025	Plain Washer SEMS Screw.....	2	41	12470-20	Phillips Fillister Head 10-24 x 5/8" Machine Screw.....	4
		*#10-32 x 7/16" Long.....		42	12470-21	Phillips Fillister Head Machine Screw 10-24 x 5/16".....	8
20	3019	Saw Guide Roller.....	10	43	3033	Tapping Screw - #10-24 x 1/2".....	2
					12470-28	5" x 28" Back Saw Not Illustrated.....	1

*Standard Hardware Items—May be Purchased Locally

THE MODEL NUMBER WILL BE FOUND ON THE UNDER SIDE OF THE BASE CASTING. ALWAYS MENTION THE MODEL NUMBER IN ALL CORRESPONDENCE REGARDING YOUR MITER BOX OR WHEN ORDERING REPAIR PARTS.

Sears
owners
manual

**SEARS
MODEL NUMBER
881.36505**

SEARS NATIONWIDE
SERVICE
IS AT YOUR SERVICE

ANOTHER QUALITY CRAFTSMAN TOOL

The Model Number will be found on the base leg. Always mention the Model Number when requesting service or repair parts for your Craftsman Miter Box.

All parts listed herein may be ordered from any SEARS, ROEBUCK AND CO. or SIMPSONS-SEARS LIMITED retail or catalog store. If the parts you need are not stocked locally, your order will be electronically transmitted to a Sears Repair Parts Distribution Center for expedited handling.

WHEN ORDERING REPAIR PARTS, ALWAYS GIVE THE FOLLOWING INFORMATION SHOWN ON THIS LIST:

- | | |
|--------------------------|----------------------|
| 1. The PART NUMBER. | 4. The NAME OF ITEM. |
| 2. The PART DESCRIPTION. | 5. The MODEL NUMBER |
| 3. The QUANTITY DESIRED. | 881.36505 |

Your Sears merchandise takes on added value when you discover that Sears has over 2,000 Service Units throughout the country. Each is staffed by Sears-trained, professional technicians using Sears approved parts and methods.

Sears, Roebuck and Co., Chicago, Ill. 60684 U.S.A.
and Simpsons Sears Limited, Toronto, Ontario