

# Operator's Manual

# CRAFTSMAN®

## 30" RIDING MOWER SIDE DISCHARGE ELECTRIC START

Model No.  
**917.28001**

• Español, p. 31



This product has a low emission engine which operates differently from previously built engines. Before you start the engine, read and understand this Owner's Manual.

### **IMPORTANT:**

Read and follow all Safety Rules and Instructions before operating this equipment.

For answers to your questions about this product, Call:

**1-800-659-5917**  
Sears Craftsman Help Line  
5 am - 5 pm, Mon - Sat

Gasoline containing up to 10% ethanol (E10) is acceptable for use in this machine. The use of any gasoline exceeding 10% ethanol (E10) will void the product warranty.

Esta máquina puede utilizar gasolina con un contenido de hasta el 10% de etanol (E10). El uso de una gasolina que supere el 10% de etanol (E10) anulará la garantía del producto.

Sears Brands Management Corporation, Hoffman Estates, IL 60179 U.S.A.  
Visit our Craftsman website: [www.sears.com/craftsman](http://www.sears.com/craftsman)

**439526 Rev. 4**

## TABLE OF CONTENTS

|                              |    |                              |            |
|------------------------------|----|------------------------------|------------|
| Warranty .....               | 2  | Maintenance .....            | 18         |
| Safety Rules .....           | 3  | Service and Adjustments..... | 23         |
| Product Specifications ..... | 6  | Storage.....                 | 27         |
| Assembly/Pre-Operation ..... | 7  | Troubleshooting .....        | 28         |
| Operation.....               | 11 | Sears Service .....          | Back Cover |
| Maintenance Schedule.....    | 18 |                              |            |

## WARRANTY

### Craftsman Riding Equipment Warranty

#### CRAFTSMAN FULL WARRANTY

FOR TWO YEARS from the date of purchase, all non-expendable parts of this riding equipment are warranted against any defects in material or workmanship. A defective non-expendable part will receive free in-home repair or replacement if repair is impossible.

FOR FIVE YEARS from the date of purchase, the frame and front axle of this riding equipment are warranted against any defects in material or workmanship. A defective frame or front axle will receive free in-home repair or replacement if repair is impossible.

FOR 90 DAYS from the date of purchase, the battery (an expendable part) of this riding equipment is warranted against any defects in material or workmanship (our testing proves that it will not hold a charge). A defective battery will receive free in-home replacement.

#### ADDITIONAL LIFETIME LIMITED WARRANTY on CAST IRON FRONT AXLE (if equipped)

FOR AS LONG AS IT IS USED by the original owner after the fifth year from the date of purchase, the cast iron front axle (if equipped) of this riding equipment is warranted against any defects in material or workmanship. With proof of purchase, a defective cast front axle will receive free in-home replacement.

#### WARRANTY SERVICE

For warranty coverage details to obtain free repair or replacement, call 1-800-659-5917 or visit the web site: [www.craftsman.com](http://www.craftsman.com)

In all cases above, if part repair or replacement is impossible, the riding equipment will be replaced free of charge with the same or an equivalent model.

All of the above warranty coverage is void if this riding equipment is ever used while providing commercial services or if rented to another person.

This warranty covers ONLY defects in material and workmanship. Warranty coverage does NOT include:

- Expendable parts (except battery) that can wear out from normal use within the warranty period, including but not limited to blades, spark plugs, air cleaners, belts, and oil filters.
- Standard maintenance servicing, oil changes, or tune-ups.
- Tire replacement or repair caused by punctures from outside objects, such as nails, thorns, stumps, or glass.
- Tire or wheel replacement or repair resulting from normal wear, accident, or improper operation or maintenance.
- Repairs necessary because of operator abuse, including but not limited to damage caused by towing objects beyond the capability of the riding equipment, impacting objects that bend the frame, axle assembly or crankshaft, or over-speeding the engine.
- Repairs necessary because of operator negligence, including but not limited to, electrical and mechanical damage caused by improper storage, failure to use the proper grade and amount of engine oil, failure to keep the deck clear of flammable debris, or failure to maintain the riding equipment according to the instructions contained in the operator's manual.
- Engine (fuel system) cleaning or repairs caused by fuel determined to be contaminated or oxidized (stale). In general, fuel should be used within 30 days of its purchase date.
- Normal deterioration and wear of the exterior finishes, or product label replacement.

This warranty gives you specific legal rights, and you may also have other rights which vary from state to state.

Sears Brands Management Corporation, Hoffman Estates, IL 60179

## SAFETY RULES

**DANGER:** This cutting machine is capable of amputating hands and feet and throwing objects. Failure to observe the following safety instructions could result in serious injury or death.

**⚠ WARNING:** In order to prevent accidental starting when setting up, transporting, adjusting or making repairs, always disconnect spark plug wire and place wire where it cannot contact spark plug.

**⚠ WARNING:** Do not coast down a hill in neutral, you may lose control of the riding mower.

**⚠ WARNING:** Engine exhaust, some of its constituents, and certain vehicle components contain or emit chemicals known to the State of California to cause cancer and birth defects or other reproductive harm.

**⚠ WARNING:** This unit is not intended for the use of wheel weights. Only use attachments designed specifically for this riding mower.

**⚠ WARNING:** Battery posts, terminals and related accessories contain lead and lead compounds, chemicals known to the State of California to cause cancer and birth defects or other reproductive harm. **Wash hands after handling.**

### I. GENERAL OPERATION

- Read, understand, and follow all instructions on the machine and in the manual before starting.
- Do not put hands or feet near rotating parts or under the machine. Keep clear of the discharge opening at all times.
- Only allow responsible adults, who are familiar with the instructions, to operate the machine.
- Clear the area of objects such as rocks, toys, wire, etc., which could be picked up and thrown by the blade.
- Be sure the area is clear of bystanders before operating. Stop machine if anyone enters the area.
- Never carry passengers.
- Do not mow in reverse unless absolutely necessary. Always look down and behind before and while backing.
- Never direct discharged material toward anyone. Avoid discharging material against a wall or obstruction. Material may ricochet back toward the operator. Stop the blade when crossing gravel surfaces.
- Do not operate machine without the entire grass catcher, discharge chute, or other safety devices in place and working.
- Slow down before turning.
- Never leave a running machine unattended. Always turn off blade, set parking brake, stop engine, and remove keys before dismounting.
- Disengage blade when not mowing. Shut off engine and wait for all parts to come to a complete stop before cleaning the machine, removing the grass catcher, or unclogging the discharge chute.
- Operate machine only in daylight or good artificial light.
- Do not operate the machine while under the influence of alcohol or drugs.
- Watch for traffic when operating near or crossing roadways.
- Use extra care when loading or unloading the machine into a trailer or truck.
- Always wear eye protection when operating machine.
- Data indicates that operators, age 60 years and above, are involved in a large percentage of riding mower-related injuries. These operators should evaluate their ability to operate the riding mower safely enough to protect themselves and others from serious injury.
- Keep machine free of grass, leaves or other debris build-up which can touch hot exhaust / engine parts and burn. Do not allow the mower deck to plow leaves or other debris which can cause build-up to occur. Clean any oil or fuel spillage before operating or storing the machine. Allow machine to cool before storage.

## SAFETY RULES



### II. SLOPE OPERATION

Slopes are a major factor related to loss of control and tip-over accidents, which can result in severe injury or death. Operation on all slopes requires extra caution. If you cannot back up the slope or if you feel uneasy on it, do not mow it.

- Mow up and down slopes (15° Max), not across.
- Watch for holes, ruts, bumps, rocks, or other hidden objects. Uneven terrain could overturn the machine. Tall grass can hide obstacles.
- Choose a low ground speed so that you will not have to stop or shift while on the slope.
- Do not mow on wet grass. Tires may lose traction.
- Always keep the machine in gear when going down slopes. Do not shift to neutral and coast downhill.
- If machine stops while going uphill, disengage blade, shift into reverse and back down slowly.
- Avoid starting, stopping, or turning on a slope. If the tires lose traction, disengage the blade and proceed slowly straight down the slope.
- Keep all movement on the slopes slow and gradual. Do not make sudden changes in speed or direction, which could cause the machine to roll over.
- Use extra care while operating machine with grass catchers or other attachments; they can affect the stability of the machine.
- Do no use on steep slopes.
- Do not try to stabilize the machine by putting your foot on the ground.
- Do not mow near drop-offs, ditches, or embankments. The machine could suddenly roll over if a wheel is over the edge or if the edge caves in.

### III. CHILDREN

Tragic accidents can occur if the operator is not alert to the presence of children. Children are often attracted to the machine and the mowing activity. Never assume that children will remain where you last saw them.

- Keep children out of the mowing area and in the watchful care of a responsible adult other than the operator.
- Be alert and turn machine off if a child enters the area.
- Before and while backing, look behind and down for small children.
- Never carry children, even with the blade shut off. They may fall off and be seriously injured or interfere with safe machine operation. Children who have been given rides in the past may suddenly appear in the mowing area for another ride and be run over or backed over by the machine.
- Never allow children to operate the machine.
- Use extra care when approaching blind corners, shrubs, trees, or other objects that may block your view of a child.

### IV. SERVICE

#### SAFE HANDLING OF GASOLINE

To avoid personal injury or property damage, use extreme care in handling gasoline. Gasoline is extremely flammable and the vapors are explosive.

- Extinguish all cigarettes, cigars, pipes, and other sources of ignition.
- Use only approved gasoline container.
- Never remove gas cap or add fuel with the engine running. Allow engine to cool before refueling.
- Never fuel the machine indoors.
- Never store the machine or fuel container where there is an open flame, spark, or pilot light such as on a water heater or other appliances.

## SAFETY RULES

- Never fill containers inside a vehicle or on a truck or trailer bed with plastic liner. Always place containers on the ground away from your vehicle when filling.
- Remove gas-powered equipment from the truck or trailer and refuel it on the ground. If this is not possible, then refuel such equipment with a portable container, rather than from a gasoline dispenser nozzle.
- Keep the nozzle in contact with the rim of the fuel tank or container opening at all times until fueling is complete. Do not use a nozzle lock-open device.
- If fuel is spilled on clothing, change clothing immediately.
- Never overfill fuel tank. Replace gas cap and tighten securely.

### GENERAL SERVICE

- Never operate machine in a closed area.
- Keep all nuts and bolts tight to be sure the equipment is in safe working condition.
- Never tamper with safety devices. Check their proper operation regularly.
- Keep machine free of grass, leaves, or other debris build-up. Clean oil or fuel spillage and remove any fuel-soaked debris. Allow machine to cool before storing.
- If you strike a foreign object, stop and inspect the machine. Repair, if necessary, before restarting.
- Never make any adjustments or repairs with the engine running.
- Check grass catcher components and the discharge chute frequently and replace with manufacturer's recommended parts, when necessary.
- Mower blade is sharp. Wrap the blade or wear gloves, and use extra caution when servicing them.
- Check brake operation frequently. Adjust and service as required.
- Maintain or replace safety and instruction labels, as necessary.
- Be sure the area is clear of bystanders before operating. Stop machine if anyone enters the area.
- Never carry passengers.
- Do not mow in reverse unless absolutely necessary. Always look down and behind before and while backing.

## PRODUCT SPECIFICATIONS

|                             |  |
|-----------------------------|--|
| Gasoline Capacity and Type: | 1.5 Gallons<br>Unleaded Regular              |
| Oil Type (API SG-SL):       | SAE 30 (Above 32°F)<br>SAE 5W30 (Below 32°F) |
| Oil Capacity:               | 48 Oz.                                       |
| Spark Plug:                 | Champion RC12YC<br>(Gap: .030")              |
| Ground Speed (Mph):         | Forward: 0 - 4<br>Reverse: 0 - 2             |
| Charging System:            | 3 Amps @ Battery                             |
| Blade Bolt Torque:          | 45-55 Ft. Lbs.                               |

**CONGRATULATIONS** on your purchase of a new riding mower. It has been designed, engineered and manufactured to give you the best possible dependability and performance.

Should you experience any problem you cannot easily remedy, please contact a Sears or other qualified service center. We have competent, well-trained representatives and the proper tools to service or repair this riding mower.

Please read and retain this manual. The instructions will enable you to assemble and maintain your riding mower properly. Always observe the "SAFETY RULES".

## CUSTOMER RESPONSIBILITIES

- Read and observe the safety rules.
- Follow a regular schedule in maintaining, caring for and using your riding mower.
- Follow the instructions under Maintenance and Storage sections of this manual.

**⚠ WARNING:** This riding mower is equipped with an internal combustion engine and should not be used on or near any unimproved forest-covered, brush-covered or grass-covered land unless the engine's exhaust system is equipped with a spark arrester meeting applicable local or state laws (if any). If a spark arrester is used, it should be maintained in effective working order by the operator.

In the state of California the above is required by law (Section 4442 of the California Public Resources Code). Other states may have similar laws. Federal laws apply on federal lands. A spark arrester for the muffler is available through your nearest Sears service center (See REPAIR PARTS manual).

## REPAIR PROTECTION AGREEMENTS

Congratulations on making a smart purchase. Your new Craftsman® product is designed and manufactured for years of dependable operation. But like all products, it may require repair from time to time. That's when having a Repair Protection Agreement can save you money and aggravation.

*Purchase a Repair Protection Agreement now and protect yourself from unexpected hassle and expense.*

Here's what's included in the Agreement:

- Expert service by our 12,000 professional repair specialists.
- Unlimited service and no charge for parts and labor on all covered repairs.
- Product replacement if your covered product can't be fixed.
- Discount of 10% from regular price of service and service-related parts not covered by the agreement; also, 10% off regular price of preventive maintenance check.
- Fast help by phone – phone support from a Sears representative on products requiring in-home repair, plus convenient repair scheduling.

Once you purchase the Agreement, a simple phone call is all that it takes for you to schedule service. You can call anytime day or night, or schedule a service appointment online.

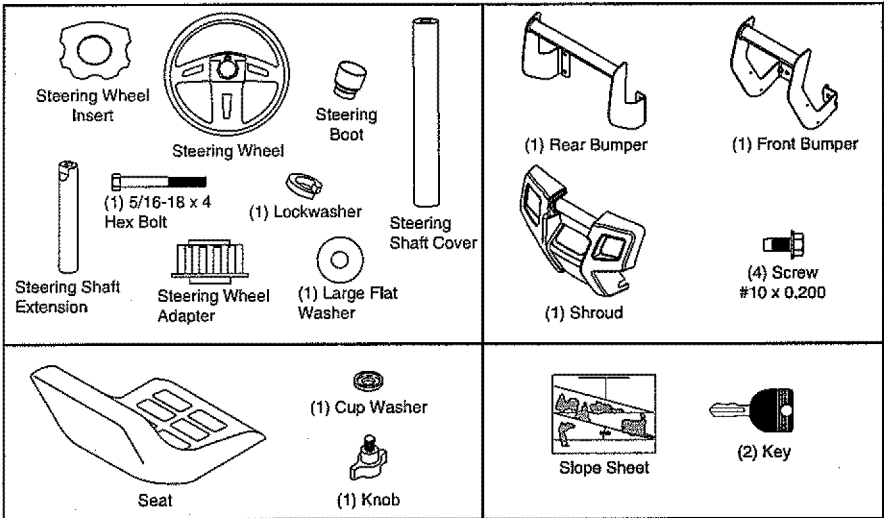
Sears has over 12,000 professional repair specialists, who have access to over 4.5 million quality parts and accessories. That's the kind of professionalism you can count on to help prolong the life of your new purchase for years to come. Purchase your Repair Protection Agreement today!

**Some limitations and exclusions apply. For prices and additional information call 1-800-827-6655.**

## SEARS INSTALLATION SERVICE

*For Sears professional installation of home appliances, garage door openers, water heaters, and other major home items, in the U.S.A. call 1-800-4-MY-HOME®*

## UNASSEMBLED PARTS



## ASSEMBLY/PRE-OPERATION

Your new riding mower has been assembled at the factory with the exception of those parts left unassembled for shipping purposes. To ensure safe and proper operation of your riding mower all parts and hardware you assemble must be tightened securely. Use the correct tools as necessary to ensure proper tightness.

### TOOLS REQUIRED FOR ASSEMBLY

A socket wrench set will make assembly easier. Standard wrench sizes you need are listed below.

- (1) 1/2" wrench
- (1) Utility knife
- (1) Tire pressure gauge

When right or left hand is mentioned in this manual, it means when you are in the operating position (seated behind the steering wheel).

### TO REMOVE RIDING MOWER FROM CARTON

#### UNPACK CARTON

1. Remove all accessible loose parts and parts boxes from carton.
2. Cut along dotted lines on all four panels of carton. Remove end panels and lay side panels flat.
3. Remove packing materials from riding mower.
4. Check for any additional loose parts or cartons and remove.

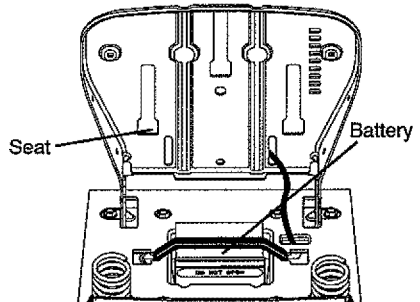
**NOTE:** Only cut carton with a short blade utility knife, a long blade or saw can puncture tires on unit.

### HOW TO SET UP YOUR RIDING MOWER

#### CHECK BATTERY

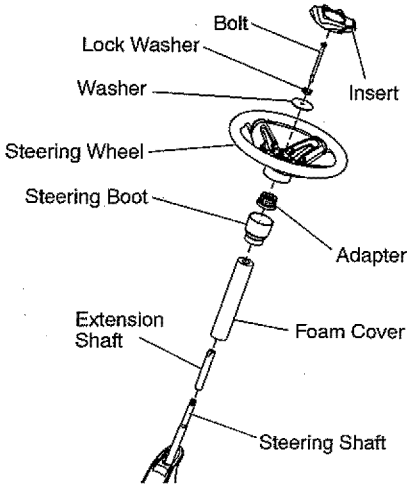
Ensure battery is securely fastened, and that all wires are securely connected.

- Battery is located under the seat.
- Battery has been fully charged from the factory, before installation.



## TO INSTALL STEERING WHEEL

1. Slide extension shaft onto steering shaft.
2. Slide steering shaft protective foam cover over steering shaft.
3. Place steering boot over steering shaft and push down to secure.
4. Position front wheels of the riding mower so they are pointing straight forward.
5. Remove steering wheel adapter from steering wheel and slide adapter onto steering shaft.
7. Press steering wheel into position on shaft, install large washer, lock washer, bolt and tighten securely.
8. Snap steering wheel insert into center of steering wheel securely.

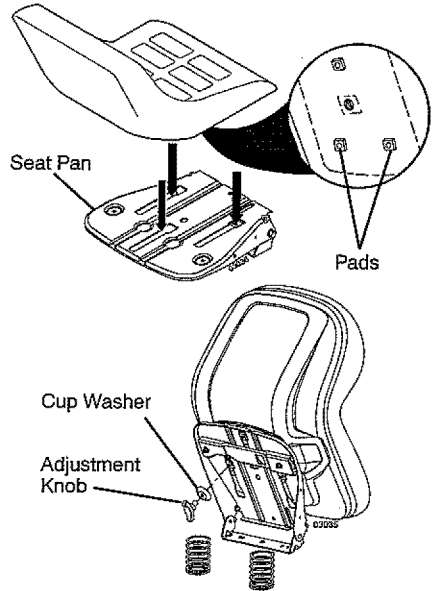


## TO INSTALL SEAT

Adjust seat before tightening adjustment knob.

1. Remove adjustment knob and cup washer securing seat to cardboard packing and set aside.
2. Remove seat from the cardboard packing and set seat aside. Remove the cardboard packing and discard.
3. Place seat on seat pan so all three (3) bottom pads are positioned over large slotted holes in pan.
4. Push down on seat to engage pads in slots and pull seat towards rear of the riding mower.
5. Pivot seat and pan forward and assemble adjustment knob and cup washer loosely. Do not tighten.
6. Lower seat into operating position and sit in seat.

7. Slide seat until a comfortable position is reached which allows you to press clutch/brake pedal all the way down.
8. Get off seat without moving its adjusted position.
9. Raise seat and tighten adjustment knob securely.



**NOTE:** You may now roll your riding mower off the skid. Follow the appropriate instruction below to remove the riding mower from the skid.

**WARNING:** Before starting, read, understand and follow all instructions in the Operation section of this manual. Be sure riding mower is in a well-ventilated area. Be sure the area in front of riding mower is clear of other people and objects.

## TO ROLL RIDING MOWER OFF SKID (See Operation section for location and function of controls)

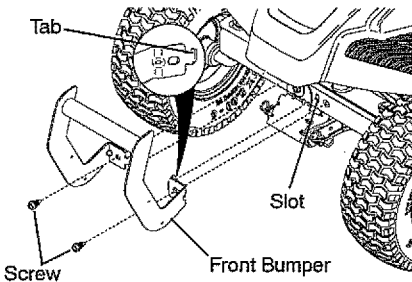
1. Raise deck lift lever to its highest position.
2. Release parking brake by depressing clutch/brake pedal.
3. Shift unit to neutral.
4. Roll riding mower forward off skid.



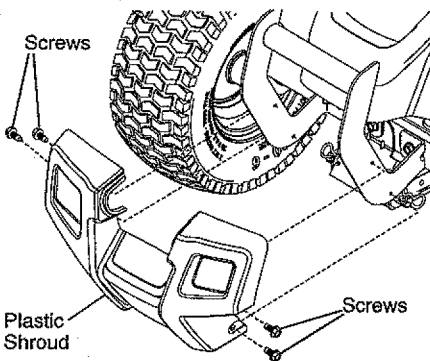
## TO ATTACH FRONT BUMPER

**NOTE:** For ease of assembly, you may wish to obtain the assistance of another person for mounting bumper to riding mower.

1. Remove (2) screws from front chassis of riding mower.
2. Tilt the front bumper so that the bumper tabs catch the slots on the front of the chassis and lower the bumper in to place.
3. Attach the bumper to front of chassis with screws removed in step 1.
4. Tighten the two (2) screws securely.



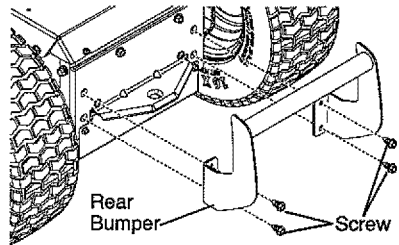
5. Position plastic shroud over bumper as shown and loosely assemble to bumper with the four (4) supplied screws.
6. Tighten all four (4) screws securely.



## TO ATTACH REAR BUMPER

**NOTE:** For ease of assembly, you may wish to obtain the assistance of another person for mounting bumper to riding mower.

1. Remove (4) screws from rear chassis of riding mower.
2. Position bumper as shown and assemble to rear chassis with screws removed in step 1.
3. Tighten the four (4) screws securely.



## CHECK TIRE PRESSURE

The tires on your riding mower were overinflated at the factory for shipping purposes. Correct tire pressure is important for best cutting performance.

## CHECK DECK LEVELNESS

For best cutting results, mower housing should be properly leveled. See "TO LEVEL MOWER HOUSING" in the Service and Adjustments section of this manual.

## CHECK FOR PROPER POSITION OF MOWER DRIVE BELT

See the figure that is shown for replacing the mower drive belt in the service and adjustment section of this manual. Verify that the belt is routed correctly.

## CHECK BRAKE SYSTEM

After you learn how to operate your riding mower, check to see that the brake is operating properly.

## ✓ CHECKLIST

Before you operate your new riding mower, we wish to assure that you receive the best performance and satisfaction from this Quality Product.

Please review the following checklist:

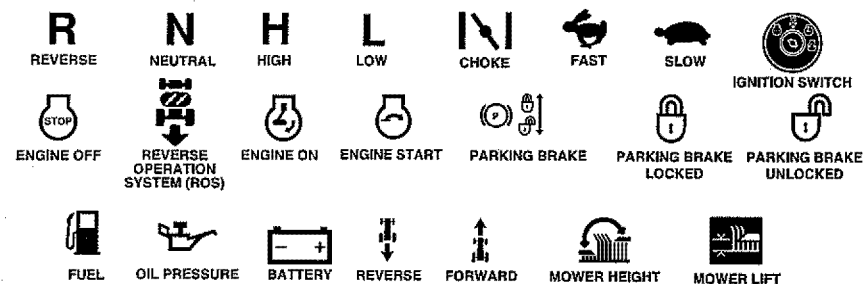
- ✓ All assembly instructions have been completed.
- ✓ No remaining loose parts in carton.
- ✓ Battery is properly connected.
- ✓ Seat is adjusted comfortably and tightened securely.
- ✓ All tires are properly inflated. (For shipping purposes, the tires were overinflated at the factory.)
- ✓ Be sure mower deck is properly leveled side-to-side/front-to-rear for best cutting results. (Tires must be properly inflated for leveling.)
- ✓ Check mower belt. Be sure it is routed properly around pulleys and inside all belt keepers.
- ✓ Check wiring. See that all connections are still secure and wires are properly clamped.

While learning how to use your riding mower, pay extra attention to the following important items:







- ✓ Engine oil is at proper level.
- ✓ Fuel tank is filled with fresh, clean, regular unleaded gasoline.
- ✓ Become familiar with all controls, their location and function. Operate them before you start the engine.
- ✓ Be sure brake system is in safe operating condition.
- ✓ Be sure Operator Presence System and Reverse Operation System (ROS) are working properly (See the Operation and Maintenance sections in this manual.)

# OPERATION

These symbols may appear on your riding mower or in literature supplied with the product. Learn and understand their meaning.



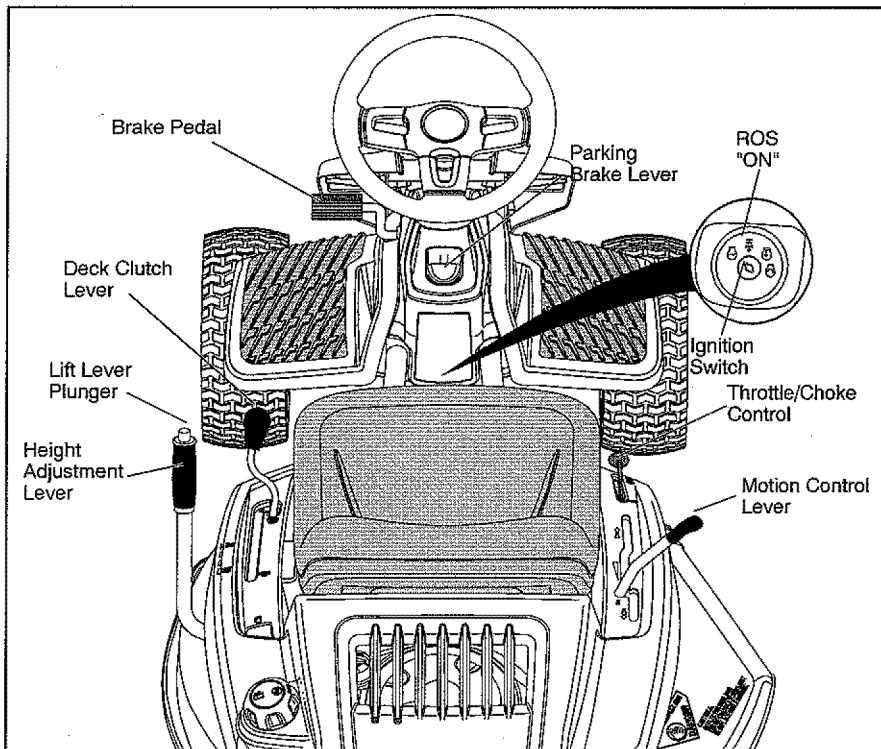
Failure to follow instructions could result in serious injury or death. The safety alert symbol is used to identify safety information about hazards which can result in death, serious injury and/or property damage.

-  **DANGER** indicates a hazard which, if not avoided, will result in death or serious injury.
-  **WARNING** indicates a hazard which, if not avoided, could result in death or serious injury.
-  **CAUTION** indicates a hazard which, if not avoided, might result in minor or moderate injury.
-  **CAUTION** when used **without** the alert symbol, indicates a situation that **could result in damage to the tractor and/or engine.**
-  **HOT SURFACES** indicates a hazard which, if not avoided, **could result in death, serious injury and/or property damage.**
-  **FIRE** indicates a hazard which, if not avoided, **could result in death, serious injury and/or property damage.**

## KNOW YOUR RIDING MOWER

### READ THIS OWNER'S MANUAL AND SAFETY RULES BEFORE OPERATING YOUR RIDING MOWER

Compare the illustrations with your riding mower to familiarize yourself with the locations of various controls and adjustments. Save this manual for future reference.



---

Our riding mowers conform to the applicable safety standards of the American National Standards Institute.

---

**DECK CLUTCH LEVER** - Used to engage the mower blade.

**BRAKE PEDAL** - Used for braking the riding mower and starting the engine.

**HEIGHT ADJUSTMENT LEVER** - Used to adjust mower cutting height.

**IGNITION SWITCH** - Used for starting and stopping the engine.

**LIFT LEVER PLUNGER** - Used to release height adjustment lever when changing its position.

**PARKING BRAKE LEVER** - Locks parking brake into brake position.

**MOTION CONTROL LEVER** - Selects the speed and direction of the riding mower.

**ROS "ON" POSITION** - Allows operation of mower deck or other powered attachment while in reverse.

**THROTTLE/CHOKE CONTROL** - Used for starting and controlling engine speed.



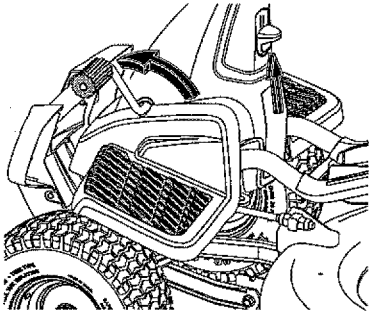
The operation of any riding mower can result in foreign objects thrown into the eyes, which can result in severe eye damage. Always wear safety glasses or eye shields while operating your riding mower or performing any adjustments or repairs. We recommend a wide vision safety mask over spectacles or standard safety glasses.

## HOW TO USE YOUR RIDING MOWER

### TO SET PARKING BRAKE

Your riding mower is equipped with an operator presence sensing switch. When engine is running, any attempt by the operator to leave the seat without first setting the parking brake will shut off the engine.

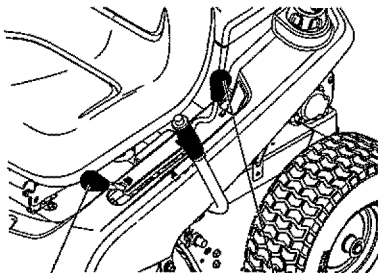
1. Depress brake pedal all the way down and hold.
2. Pull parking brake lever up and hold, release pressure from brake pedal, then release parking brake lever. Pedal should remain in brake position. Ensure parking brake will hold mower secure.



## STOPPING

### MOWER BLADE -

- To stop mower blade, move deck clutch lever to disengaged position.

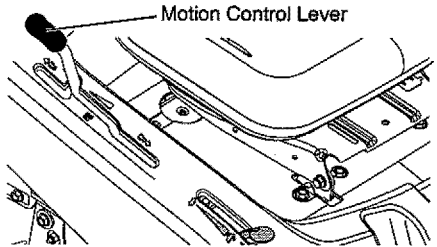


(\*) Deck Clutch Control "Engaged"

(\*) Deck Clutch Control "Disengaged"

### GROUND DRIVE -

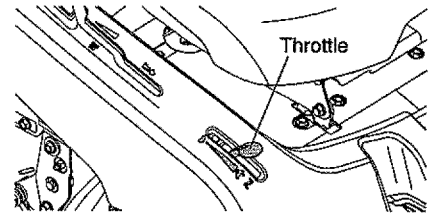
- To stop ground drive, depress brake pedal all the way down.
- Move motion control lever to neutral position.



### ENGINE -

- Move throttle control between half and full speed (fast) position.

**NOTE:** Failure to move throttle control between half and full speed (fast) position, before stopping, may cause engine to "backfire".



- Turn ignition key to "STOP" position and remove key. Always remove key when leaving riding mower to prevent unauthorized use.

**IMPORTANT:** Leaving the ignition switch in any position other than "STOP" will cause the battery to discharge and go dead.

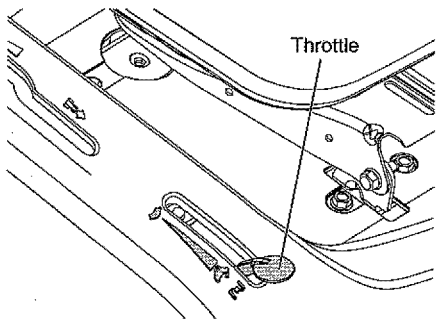
**NOTE:** Under certain conditions when riding mower is standing idle with the engine running, hot engine exhaust gases may cause "browning" of grass. To eliminate this possibility, always stop engine when stopping riding mower on grass areas.

**CAUTION:** Always stop riding mower completely, as described above, before leaving the operator's position.

## TO USE THROTTLE CONTROL

Always operate engine at full speed (fast).

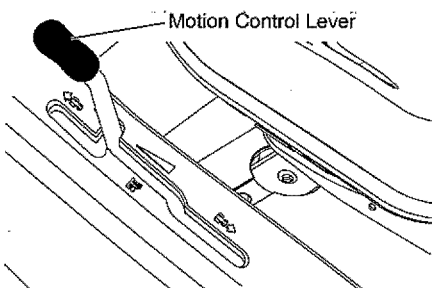
- Operating engine at less than full speed (fast) reduces engine's operating efficiency.
- Full speed (fast) offers the best mower performance.



## TO MOVE FORWARD AND BACKWARD

The direction and speed of movement is controlled by the motion control lever.

1. Ensure the parking brake is applied.
2. Start riding mower with motion control lever in neutral (N) position.
3. Release parking brake.
4. Slowly move motion control lever to desired position.



## TO ADJUST MOWER CUTTING HEIGHT

The position of the mower height deck lift lever determines the cutting height.

- Grasp lift lever.
- Press lift lever plunger with thumb and move lever to desired position.

The cutting height range is approximately 1-1/2 to 4". The heights are measured from the ground to the blade tip with the engine not running. These heights are approximate and may vary depending upon soil conditions, height of grass and types of grass being mowed.

- The average lawn should be cut to approximately 2-1/2" during the cool season and to over 3" during hot months. For healthier and better looking lawns, mow often and after moderate growth.
- For best cutting performance, grass over 6" in height should be mowed twice. Make the first cut relatively high; the second to desired height.

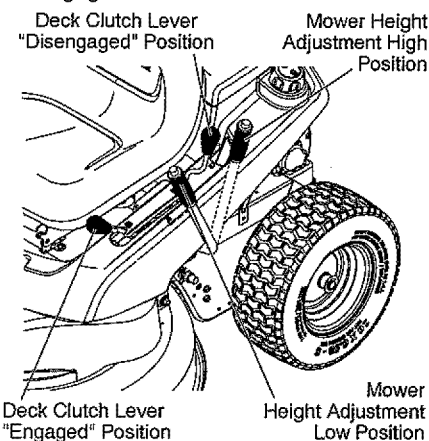
## TO OPERATE MOWER

Your riding mower is equipped with an operator presence sensing switch. Any attempt by the operator to leave the seat with the engine running and the deck clutch engaged will shut off the engine. You must remain fully and centrally positioned in the seat to prevent the engine from hesitating or cutting off when operating your equipment on rough, rolling terrain or hills.

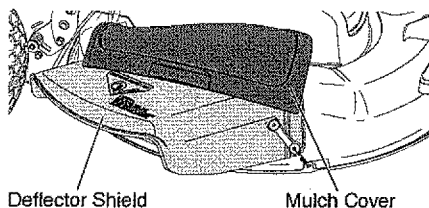
1. Select desired height of cut.
2. Start mower blade by engaging deck clutch lever.

## TO STOP MOWER BLADE -

Disengage deck clutch lever.



**CAUTION:** Do not operate the mower without either the entire grass catcher, on mowers so equipped, mulch cover, or the deflector shield in place.



## REVERSE OPERATION SYSTEM (ROS)

Your riding mower is equipped with a Reverse Operation System (ROS). Any attempt by the operator to travel in the reverse direction with the deck clutch engaged will shut off the engine unless ignition key is placed in the ROS "ON" position.

**⚠WARNING:** Backing up with the deck clutch engaged while mowing is strongly discouraged. Turning the ROS "ON", to allow reverse operation with the deck clutch engaged, should only be done when the operator decides it is necessary to reposition the machine with the attachment engaged. **Do not mow in reverse unless absolutely necessary.**

### USING THE REVERSE OPERATION SYSTEM -

Only use if you are certain no children or other bystanders will enter the mowing area.

1. Move motion control lever to neutral (N) position.
2. With engine running, turn ignition key counterclockwise to ROS "ON" position.
3. Look down and behind before and while backing.
4. Slowly move motion control lever to reverse (R) position to start movement.
5. When use of the ROS is no longer needed, turn the ignition key clockwise to engine "ON" position.

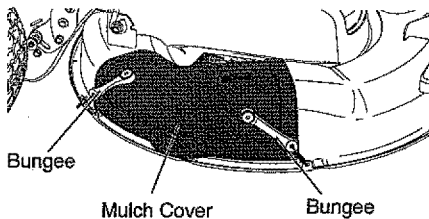
ROS "ON" Position

Engine "ON" Position  
(Normal Operating)

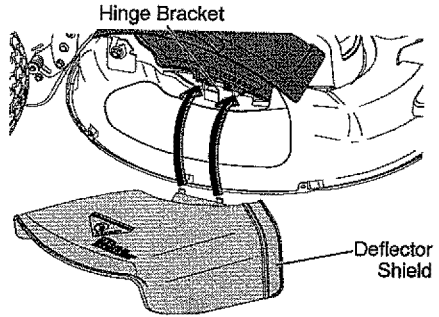


### TO ATTACH DEFLECTOR

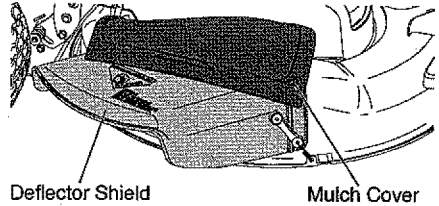
1. Unhook the 2 bungees from deck to the mulch cover.



2. Lift the mulch cover.
3. Attach the deflector to the hinge bracket.



4. Rest the mulch cover on the deflector.
5. Attach the 1 bungee from the deflector to the deck.



### TO OPERATE ON HILLS

**⚠WARNING:** Do not drive up or down hills with slopes greater than 15° and do not drive across any slope. Use the slope guide at the back of this manual.

- Choose the slowest speed before starting up or down hills.
- Avoid stopping or changing speed on hills.
- If stopping is absolutely necessary, push clutch/brake pedal quickly to brake position and engage parking brake.
- Move motion control lever to neutral (N) position.
- To restart movement, slowly release parking brake and clutch/brake pedal.
- Make all turns slowly.

### TO TRANSPORT

When pushing or towing your riding mower, be sure to disengage transmission by placing shifter in neutral.

- Raise mower height adjustment to its highest position with mower height adjustment lever.
- To reengage transmission, press brake and shift out of neutral.

## BEFORE STARTING THE ENGINE

### CHECK ENGINE OIL LEVEL

The engine in your riding mower has been shipped, from the factory, already filled with summer weight oil.

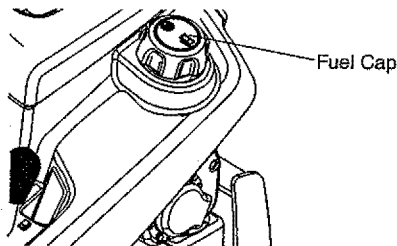
1. Check engine oil with riding mower on level ground.
  2. Remove oil fill cap/dipstick and wipe clean, reinsert the dipstick and screw cap tight, wait for a few seconds, remove and read oil level. If necessary, add oil until "FULL" mark on dipstick is reached. Do not overfill.
- For cold weather operation you should change oil for easier starting (See the oil viscosity chart in the Maintenance section of this manual).
  - To change engine oil, see the Maintenance section in this manual.

### ADD GASOLINE

- Fill fuel tank to bottom of filler neck. Do not overfill. Use fresh, clean, regular unleaded gasoline with a minimum of 87 octane. (Use of leaded gasoline will increase carbon and lead oxide deposits and reduce valve life). Do not mix oil with gasoline. Purchase fuel in quantities that can be used within 30 days to assure fuel freshness.

**CAUTION:** Wipe off any spilled oil or fuel. Do not store, spill or use gasoline near an open flame.

**CAUTION:** Alcohol blended fuels (called gasohol or using ethanol or methanol) can attract moisture which leads to separation and formation of acids during storage. Acidic gas can damage the fuel system of an engine while in storage. To avoid engine problems, the fuel system should be emptied before storage of 30 days or longer. Drain the gas tank, start the engine and let it run until the fuel lines and carburetor are empty. Use fresh fuel next season. See Storage Instructions for additional information. Never use engine or carburetor cleaner products in the fuel tank or permanent damage may occur.



## TO START ENGINE

When starting the engine for the first time or if the engine has run out of fuel, it will take extra cranking time to move fuel from the tank to the engine.

- Sit on seat in operating position, depress clutch/brake pedal and set parking brake.
- Place motion control lever in neutral position.
- Move deck clutch lever to "DISENGAGED" position.
- Move throttle control to choke position.

**NOTE:** Before starting, read the warm and cold starting procedures below.

- Insert key into ignition and turn key clockwise to "START" position and release key as soon as engine starts. Do not run starter continuously for more than fifteen seconds per minute. If the engine does not start after several attempts, move throttle control to fast position, wait a few minutes and try again. If engine still does not start, move the throttle control back to the choke position and retry.

### WARM WEATHER STARTING (50°F/10°C AND ABOVE)

- When engine starts, move the throttle control to the fast position.
- The ground drive can now be used. If the engine does not accept the load, restart the engine and allow it to warm up for one minute using the choke as described above.

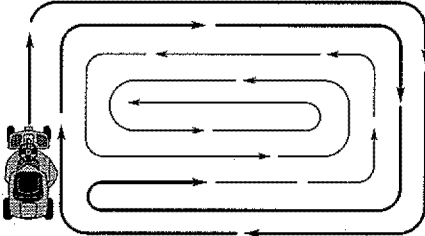
### COLD WEATHER STARTING (50°F/10°C AND BELOW)

- When engine starts, allow engine to run with the throttle control in the choke position until the engine runs roughly, then move throttle control to fast position. This may require an engine warm-up period from several seconds to several minutes, depending on the temperature.



## MOWING TIPS

- Mower should be properly leveled for best mowing performance. See "TO LEVEL MOWER HOUSING" in the Service and Adjustments section of this manual.
- The left hand side of mower should be used for trimming.
- Drive so that clippings are discharged onto the area that has already been cut. Have the cut area to the right of the riding mower. This will result in a more even distribution of clippings and more uniform cutting.



- When mowing large areas, start by turning to the right so that clippings will discharge away from shrubs, fences, driveways, etc. After one or two rounds, mow in the opposite direction making left hand turns until finished.
- If grass is extremely tall, it should be mowed twice to reduce load and possible fire hazard from dried clippings. Make first cut relatively high; the second to the desired height.
- Do not mow grass when it is wet. Wet grass will plug mower and leave undesirable clumps. Allow grass to dry before mowing.
- Regulate ground speed by selecting a low enough gear to give the mower cutting performance as well as the quality of cut desired.
- When operating attachments, select a ground speed that will suit the terrain and give best performance of the attachment being used.

# MAINTENANCE

| MAINTENANCE SCHEDULE               |                                       | BEFORE EACH USE | EVERY 8 HOURS | EVERY 25 HOURS   | EVERY 50 HOURS | EVERY 100 HOURS | EVERY SEASON | BEFORE STORAGE |
|------------------------------------|---------------------------------------|-----------------|---------------|------------------|----------------|-----------------|--------------|----------------|
| RIDING MOWER                       | Check Brake Operation                 | ✓               | ✓             |                  |                |                 |              |                |
|                                    | Check Tire Pressure                   | ✓               | ✓             |                  |                |                 |              |                |
|                                    | Check Operator Presence & ROS Systems | ✓               |               |                  |                |                 |              |                |
|                                    | Check for Loose Fasteners             | ✓               |               |                  |                | ✓               |              | ✓              |
|                                    | Check/Replace Mower Blade             |                 |               | ✓ <sup>3</sup>   |                |                 |              |                |
|                                    | Clean Battery and Terminals           |                 |               | ✓                |                |                 |              | ✓              |
|                                    | Adjust Clutch                         |                 |               | ✓                | ✓              | ✓               |              |                |
|                                    | Lubricate Axles and Spindles          |                 |               | ✓                |                |                 |              |                |
|                                    | Clean Friction Surfaces               |                 |               | ✓ <sup>4</sup>   |                |                 |              | ✓              |
|                                    | Check Mower Levelness                 |                 |               |                  | ✓              |                 |              |                |
| Check V-Belt                       |                                       |                 |               |                  | ✓              |                 |              |                |
| ENGINE                             | Check Engine Oil Level                | ✓               | ✓             |                  |                |                 |              |                |
|                                    | Change Engine Oil                     |                 |               | ✓ <sup>1,2</sup> |                |                 |              | ✓              |
|                                    | Clean Air Filter                      |                 |               | ✓ <sup>2</sup>   |                |                 |              |                |
|                                    | Clean Air Screen                      |                 |               | ✓ <sup>2</sup>   |                |                 |              |                |
|                                    | Inspect Muffler/Spark Arrestor        |                 |               |                  | ✓              |                 |              |                |
|                                    | Clean Engine Cooling Fins             |                 |               |                  |                | ✓ <sup>2</sup>  |              |                |
| Replace Spark Plug                 |                                       |                 |               |                  | ✓              | ✓               |              |                |
| Replace Air Filter Paper Cartridge |                                       |                 |               |                  | ✓ <sup>2</sup> |                 |              |                |

1 - Change more often when operating under a heavy load or in high ambient temperatures. 3 - Replace blade more often when mowing in sandy soil  
 2 - Service more often when operating in dirty or dusty conditions. 4 - Clean surfaces with isopropyl alcohol or non flammng cleaner.

## GENERAL RECOMMENDATIONS

The warranty on this riding mower does not cover items that have been subjected to operator abuse or negligence. To receive full value from the warranty, operator must maintain riding mower as instructed in this manual.

Some adjustments will need to be made periodically to properly maintain your riding mower.

At least once a season, check to see if you should make any of the adjustments described in the Service and Adjustments section of this manual.

- At least once a year you should replace the spark plug, clean or replace air filter, and check blade and belt for wear. A new spark plug and clean air filter assure proper air-fuel mixture and help your engine run better and last longer.

## BEFORE EACH USE

- Check engine oil level.
- Check brake operation.
- Check tire pressure.
- Check operator presence and ROS systems for proper operation.
- Check for loose fasteners.

**IMPORTANT:** Do not oil or grease the pivot points which have special nylon bearings. Viscous lubricants will attract dust and dirt that will shorten the life of the self-lubricating bearings. If you feel they must be lubricated, use only a dry, powdered graphite type lubricant sparingly.

## RIDING MOWER

Always observe safety rules when performing any maintenance.

### BRAKE OPERATION

If riding mower requires more than four (4) feet to stop at highest speed in highest gear on a level, dry concrete or paved surface, then brake must be serviced at your nearest authorized service center.

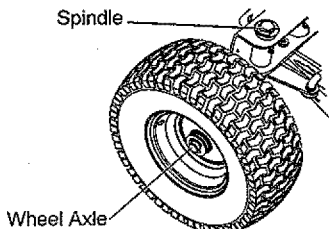
### TIRES

- Maintain tire pressure at 12 PSI.
- Keep tires free of gasoline, oil, or insect control chemicals which can harm rubber.
- Avoid stumps, stones, deep ruts, sharp objects and other hazards that may cause tire damage.

**NOTE:** To seal tire punctures and prevent flat tires due to slow leaks, tire sealant may be purchased from your local parts dealer. Tire sealant also prevents tire dry rot and corrosion.

### AXLE AND SPINDLES

- Front wheel axles and front spindles should be properly lubricated.
- Wheel axles and spindles should be lubricated with grease.



### OPERATOR PRESENCE SYSTEM AND REVERSE OPERATION SYSTEM (ROS)

Be sure operator presence and reverse operation systems are working properly. If your riding mower does not function as described, repair the problem immediately.

- The engine should not start unless the brake pedal is fully depressed, and the deck clutch lever is in the disengaged position.

### CHECK OPERATOR PRESENCE SYSTEM

- When the engine is running, any attempt by the operator to leave the seat without first setting the parking brake should shut off the engine.
- When the engine is running and the deck clutch lever is engaged, any attempt by the operator to leave the seat should shut off the engine.
- Never operate the deck clutch lever unless you are seated in the seat.

### CHECK REVERSE OPERATION (ROS) SYSTEM

- When the engine is running with the ignition switch in the engine "ON" position and the deck clutch lever engaged, any attempt by the operator to shift into reverse should shut off the engine.
- When the engine is running with the ignition switch in the ROS "ON" position and the deck clutch lever engaged, any attempt by the operator to shift into reverse should NOT shut off the engine.



ROS "ON" Position



Engine "ON" Position (Normal Operating)

### BLADE CARE

For best results mower blades must be sharp. Replace worn, bent or damaged blades.

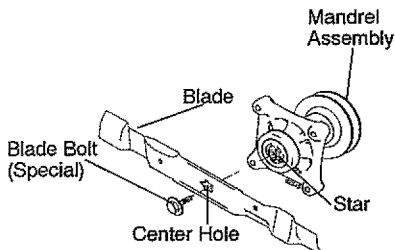
**CAUTION:** Use only a replacement blade approved by the manufacturer of your riding mower. Using a blade not approved by the manufacturer of your riding mower is hazardous, could damage your riding mower and void your warranty.

### BLADE REMOVAL

1. Raise mower to highest position to allow access to blade.

**NOTE:** Protect your hands with gloves and/or wrap blade with heavy cloth.

2. Remove blade bolt by turning counter-clockwise.
3. Install new blade with stamped "THIS SIDE UP" facing deck and mandrel assembly.



**IMPORTANT:** To ensure proper assembly, center hole in blade must align with star on mandrel assembly.

4. Install and tighten blade bolt securely (45-55 Ft. Lbs.).

**IMPORTANT:** Special blade bolt is heat treated.

## BATTERY

Your riding mower has a battery charging system which is sufficient for normal use.

- Keep battery and connectors clean.
- Only recharge battery with charger approved for a 12V 6 amp. hour battery.
- Charging with any other charger or an automotive style charger can cause permanent damage to the battery.
- Charge battery for 24 hours for a full charge.

**NOTE:** The original equipment battery on your riding mower is maintenance free. Do not attempt to open or remove caps or covers. Adding or checking level of electrolyte is not necessary.

**⚠ WARNING:** Do not jump start battery. Permanent damage to the battery or personal injury may occur.

## TRANSAXLE COOLING

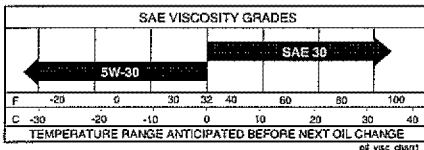
Keep transaxle free from build-up of dirt and chaff which can restrict cooling.

## V-BELT

Check V-belt for deterioration and wear after 100 hours of operation and replace if necessary. The belt is not adjustable. Replace belt if it begins to slip from wear.

## ENGINE LUBRICATION

Only use high quality detergent oil rated with API service classification SG-SL. Select the oil's SAE viscosity grade according to your expected operating temperature.



**NOTE:** Although multi-viscosity oils (5W30, 10W30 etc.) improve starting in cold weather, the oils will result in increased oil consumption when used above 32°F. Check your engine oil level more frequently to avoid possible engine damage from running low on oil. Change the oil after every 25 hours of operation or at least once a year if the riding mower is not used for 25 hours in one year. Check the crankcase oil level before starting the engine and after each eight (8) hours of operation. Tighten oil fill cap/dipstick securely each time you check the oil level.

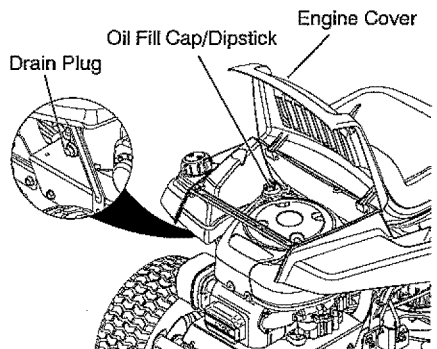
## TO CHANGE ENGINE OIL

Determine temperature range expected before oil change. All oil must meet API service classification SG-SL.

- Be sure riding mower is on level surface.
- Oil will drain more freely when warm.
- Catch oil in a suitable container.

**⚠ CAUTION:** If engine has been operated for an extended period of time immediately prior to draining oil, oil will be hot.

1. Lift engine cover.
2. Remove oil fill cap/dipstick. Be careful not to allow dirt to enter the engine when changing oil.
3. Position a container to catch oil.
4. Remove drain plug and drain oil into container.
5. After oil has drained completely, replace oil drain plug and tighten securely.
6. Refill engine with oil through oil fill dipstick tube. Pour slowly. Do not overfill. For approximate capacity see "PRODUCT SPECIFICATIONS" section of this manual.
7. Use gauge on oil fill cap/dipstick for checking level. For accurate reading, tighten dipstick cap securely onto the tube before removing dipstick. Keep oil at "FULL" line on dipstick. Tighten cap onto the tube securely when finished.
8. Lower engine cover.



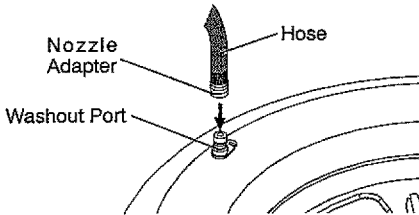
## DECK WASHOUT PORT

Your riding mower's deck is equipped with a washout port on its surface as part of its deck wash system. It should be utilized after each use.

1. Drive the riding mower to a level, clear spot on your lawn, near enough to a water spigot for your garden hose to reach.

**IMPORTANT:** Make certain the riding mower's discharge chute is directed AWAY from your house, garage, parked cars, etc. Remove bagger chute or mulch cover if attached.

2. Make sure the attachment clutch control is in the "DISENGAGED" position, set the parking brake, and stop the engine.
3. Thread the nozzle adapter (packaged with your riding mower's Operator's Manual) onto the end of your garden hose.
4. Pull back the lock collar of the nozzle adapter and push the adapter onto the deck washout port at the left end of the mower deck. Release the lock collar to lock the adapter on the nozzle.



**IMPORTANT:** Tug hose ensuring connection is secure.

5. Turn the water on.
6. While sitting in the operator's position on the riding mower, re-start the engine and place the throttle lever in the Fast "F" position.

**IMPORTANT:** Recheck the area making certain the area is clear.

7. Move the riding mower's attachment clutch control to the "ENGAGED" position. **Remain in the operator's position** with the cutting deck engaged until the deck is cleaned.

8. Move the riding mower's attachment clutch control to the "DISENGAGED" position. Turn the ignition key to the STOP position to turn the tractor's engine off. Turn the water off.
9. Pull back the lock collar of the nozzle adapter to disconnect the adapter from the nozzle washout port.
10. Move the riding mower to a dry area, preferably a concrete or paved area. Place the attachment clutch control in the "ENGAGED" position to remove excess water and to help dry before putting the riding mower away.

**⚠WARNING:** A broken or missing washout fitting could expose you or others to thrown objects from contact with the blade.

- Replace broken or missing washout fitting immediately, prior to using mower again.
- Plug any holes in mower with bolts and locknuts.

## AIR FILTER

Your engine will not run properly using a dirty air filter. Service air cleaner more often under dusty conditions. See engine manual.

## CLEAN AIR SCREEN

Air screen must be kept free of dirt and chaff to prevent engine damage from overheating. Clean with a wire brush or compressed air to remove dirt and stubborn dried gum fibers.

## CLEAN AIR INTAKE/COOLING AREAS

To ensure proper cooling, make sure the grass screen, cooling fins, and other external surfaces of the engine are kept clean at all times.

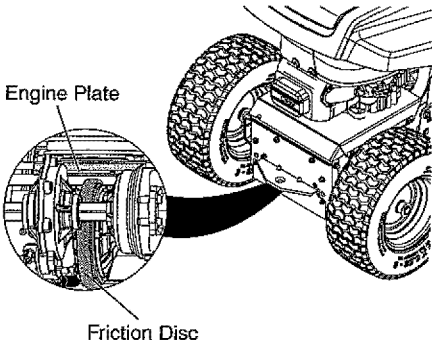
Every 100 hours of operation (more often under extremely dusty, dirty conditions), remove the blower housing and other cooling shrouds. Clean the cooling fins and external surfaces as necessary. Ensure the cooling shrouds are reinstalled.

**NOTE:** Operating the engine with a blocked grass screen, dirty or plugged cooling fins, and/or cooling shrouds removed will cause engine damage due to overheating.

## CLEANING FRICTION SURFACES

To ensure proper drive performance keep the friction surfaces free from dirt, chaff and excess rubber at all times.

Every 25 hours of operation, the friction surfaces need to be rubbed clean with isopropyl alcohol or other non-filming cleaner.



## MUFFLER

Inspect and replace corroded muffler and spark arrester (if equipped) as it could create a fire hazard and/or damage.

## SPARK PLUG(S)

Replace spark plug(s) at the beginning of each mowing season or after every 100 hours of operation, whichever occurs first. Spark plug type and gap setting are shown in "PRODUCT SPECIFICATIONS" section of this manual.

## CLEANING

- Clean engine, battery, seat, finish, etc. of all foreign matter.
- Keep finished surfaces and wheels free of all gasoline, oil, etc.
- Protect painted surfaces with automotive type wax.

We do not recommend using a garden hose or pressure washer to clean your riding mower unless the engine and transmission are covered to keep water out. Water in engine or transmission will shorten the useful life of your riding mower. Use compressed air or a leaf blower to remove grass, leaves and trash from riding mower and mower.

## SERVICE AND ADJUSTMENTS



**WARNING: TO AVOID SERIOUS INJURY, BEFORE PERFORMING ANY SERVICE OR ADJUSTMENTS:**

1. Depress clutch/brake pedal fully and set parking brake.
2. Place motion control lever in neutral (N) position.
3. Place deck clutch in "DISENGAGED" position.
4. Turn ignition key to "STOP" and remove key.
5. Ensure the blade and all moving parts have completely stopped.
6. Disconnect spark plug wire from spark plug and place wire where it cannot come in contact with plug.

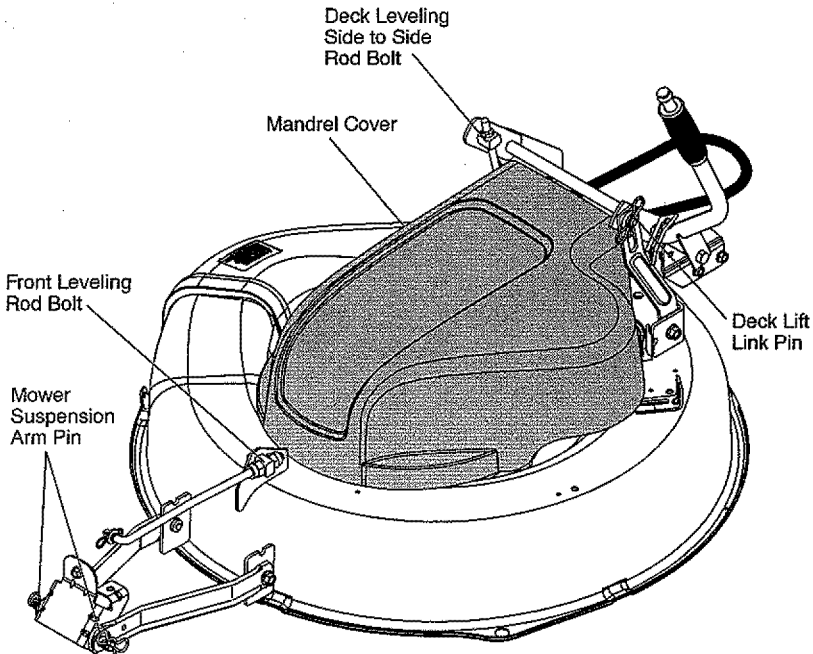
### RIDING MOWER TO REMOVE MOWER

1. Place deck clutch in "DISENGAGED" position.
2. Move mower height adjustment lift lever forward to lower mower to its lowest position.
3. Remove mandrel cover.
4. Remove pins holding left and right front mower suspension arms in place.
5. Remove bolt holding deck front to rear leveling rod in place.

6. Remove pin holding deck lift link arm in place.
7. Remove bolt holding deck side to side leveling rod in place.
8. Remove belt from around pulleys.
9. Slide deck out from under side of mower.

### TO INSTALL MOWER

Install in reverse order following instructions in "TO REMOVE MOWER" section.

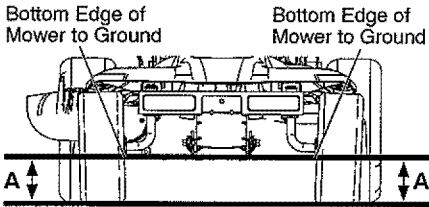


## TO LEVEL MOWER HOUSING

Adjust the mower while riding mower is parked on level ground or driveway. Ensure tires are properly inflated. If tires are over or underinflated, you will not properly adjust your mower.

### SIDE-TO-SIDE ADJUSTMENT

- Raise mower to its highest position.
- Measure distance "A" from bottom edge of mower to ground level at front corners of mower.

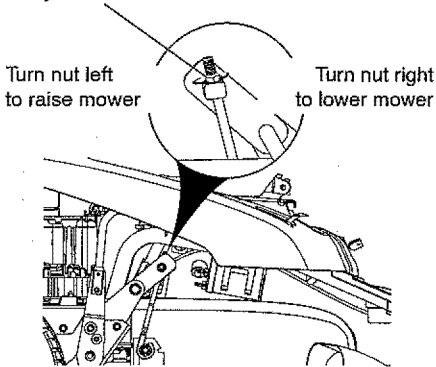


- To raise the right side of the mower, tighten lift link adjustment nut.
- To lower the right side of the mower, loosen lift link adjustment nut.

**NOTE:** Each full turn of adjustment nut will change mower height about 3/16".

- Recheck measurements after adjusting.

Adjustment Nut

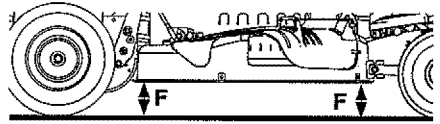


### FRONT-TO-BACK ADJUSTMENT

**IMPORTANT:** Deck must be level side-to-side.

To obtain the best cutting results, the mower housing should be adjusted so that the front is approximately 1/8" to 1/2" lower than the rear when the mower is in its highest position.

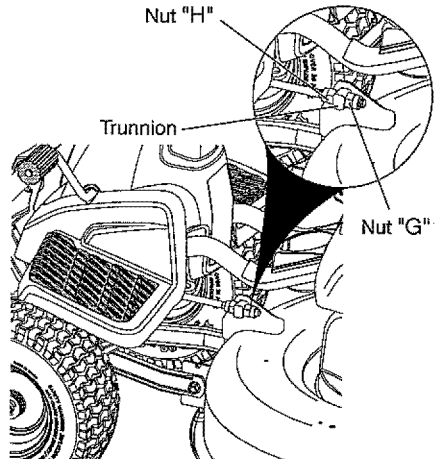
Check adjustment on right side of riding mower. Measure distance "F" directly in front and behind the mandrel at bottom edge of mower housing as shown.



- To lower front of mower housing turn nuts "G" and "H" clockwise.
- When distance "F" is 1/8" to 1/2" lower at front than rear, tighten nut "H" against trunnion on front link.
- To raise front of mower housing turn nuts "G" and "H" counter clockwise.
- When distance "F" is 1/8" to 1/2" lower at front than rear, tighten nut "H" against trunnion on front link.

**NOTE:** Each full turn of "G" will change "F" by approximately about 3/8".

- Recheck side-to-side adjustment.

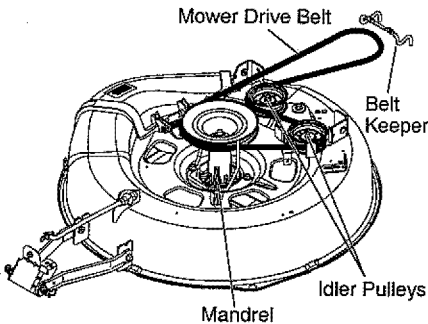




## TO REPLACE MOWER BLADE DRIVE BELT

### MOWER DRIVE BELT REMOVAL

1. Park riding mower on a level surface.
2. Set parking brake.
3. Lower mower to its lowest position.
4. Remove mandrel cover from mower deck.
5. Remove rear engine plate from unit.
6. Remove rear belt keeper from unit.
7. Carefully roll belt over the top of the mower blade mandrel.



8. Remove belt from idler pulleys.
9. Check idler pulleys to see that they rotate freely.

### MOWER DRIVE BELT INSTALLATION

Install in reverse order following instructions in "MOWER DRIVE BELT REMOVAL" section.

## TO CHECK BRAKE

If riding mower requires more than four (4) feet to stop at highest speed in highest gear on a level, dry concrete or paved surface, then brake must be serviced.

You may also check brake by:

1. Park riding mower on a level, dry concrete or paved surface, depress clutch/brake pedal all the way down and engage parking brake.
2. Place motion control lever in neutral position.

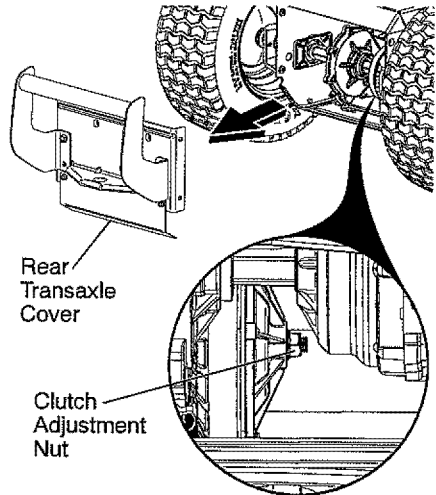
The rear wheels must lock and skid when you try to manually push the riding mower forward. If the rear wheels rotate, then the brake needs to be serviced. Contact a Sears or other qualified service center.

## TO ADJUST CLUTCH

To ensure proper drive performance, periodic adjustment of the clutch will be needed. This adjustment is only necessary when there is a reduction or loss of drive. Refer to the maintenance section in this manual for recommended intervals.

1. Park riding mower on a level surface.
2. Set parking brake.
3. Remove rear transaxle cover.
4. Using a 9/16th wrench, tighten the clutch adjustment nut by 1/8th of a turn.

**CAUTION:** Do not over-tighten the clutch adjustment nut. Only make as many 1/8th turns as needed.



5. Test riding mower where it will be used to cut grass.
6. If further adjustment is needed, return to step 4.
7. After adjustment is completed, replace rear transaxle cover.

If the clutch adjustment procedure is not effective, take your riding mower to a qualified service center for repair and/or adjustment.

## TO ADJUST STEERING WHEEL ALIGNMENT

If steering wheel crossbars are not horizontal (left to right) when wheels are positioned straight forward, remove steering wheel and reassemble per instructions in the "INSTALL STEERING COLUMN" section of this manual.

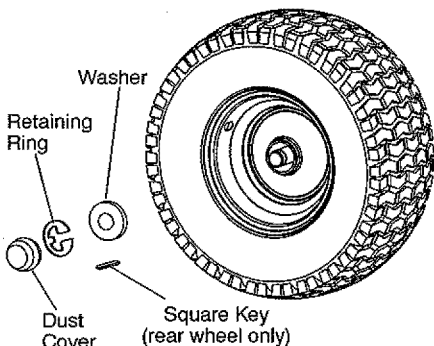
## TO REMOVE WHEEL FOR REPAIRS

### FRONT WHEEL

1. Block up front axle securely.
2. Remove dust cover, retaining ring, and washer to allow wheel removal.
3. Repair tire and reassemble.
4. Replace washer and retaining ring securely in axle groove.

### REAR WHEEL

1. Block up Rear axle securely.
2. Remove dust cover, retaining ring, washer, and square key while pulling tire off.
3. Repair tire and reassemble.
4. Replace square key while putting tire back on, then replace washer and retaining ring securely in axle groove.



**NOTE:** To seal tire punctures and prevent flat tires due to slow leaks, purchase and use tire sealant from Sears. Tire sealant also prevents tire dry rot and corrosion.

## TO START ENGINE WITH A WEAK BATTERY

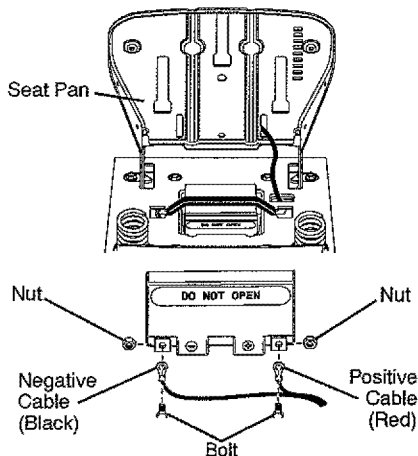
**CAUTION:** Lead-acid batteries generate explosive gases. Keep sparks, flame and smoking materials away from batteries. Always wear eye protection when around batteries.

If your battery is too weak to start the engine, it should be recharged. (See "BATTERY" in the Maintenance section of this manual).

## REPLACING BATTERY

**WARNING:** Do not short battery terminals by allowing a wrench or any other object to contact both terminals at the same time. Before connecting battery, remove metal bracelets, wristwatch bands, rings, etc. Positive terminal must be connected first to prevent sparking from accidental grounding.

1. Lift seat pan to raised position.
2. Remove terminal cover.
3. Disconnect BLACK battery cable then RED battery cable, battery strap and carefully remove battery from riding mower.
4. Install new battery with terminals in same position as old battery.
5. Reinstall terminal cover.
6. First connect RED battery cable to positive (+) battery terminal with bolt and nut as shown. Tighten securely.
7. Connect BLACK grounding cable to negative (-) battery terminal with remaining bolt and nut. Tighten securely.
8. Lower seat pan.



## INTERLOCKS AND RELAYS

Loose or damaged wiring may cause your riding mower to run poorly, stop running, or prevent it from starting.

- Check wiring. Ensure all wiring and connectors are secure.

## ENGINE

Your carburetor is not adjustable. If your engine does not operate properly due to suspected carburetor problems, take your riding mower to a qualified service center for repair and/or adjustment.

## STORAGE

Immediately prepare your riding mower for storage at the end of the season or if the riding mower will not be used for 30 days or more.

**⚠ WARNING:** Never store the riding mower with gasoline in the tank inside a building where fumes may reach an open flame or spark. Allow the engine to cool before storing in any enclosure.

### MOWER

Remove deck from mower for winter storage. When mower is to be stored for a period of time, clean it thoroughly, remove all dirt, grease, leaves, etc. Store in a clean, dry area.

1. Clean entire riding mower (See "CLEANING" in the Maintenance section of this manual).
2. Inspect and replace belt, if necessary (See belt replacement instructions in the Service and Adjustments section of this manual).
3. Lubricate as shown in the Maintenance section of this manual.
4. Be sure that all nuts, bolts and screws are securely fastened. Inspect moving parts for damage, breakage and wear. Replace if necessary.
5. Touch up all rusted or chipped paint surfaces; sand lightly before painting.

### BATTERY

- Fully charge the battery for storage.
- If battery is removed from riding mower for storage, do not store battery directly on concrete or damp surfaces.

### ENGINE

#### FUEL SYSTEM

**IMPORTANT:** It is important to prevent gum deposits from forming in essential fuel system parts such as carburetor, fuel hose, or tank during storage. Also, alcohol blended fuels (called gasohol or using ethanol or methanol) can attract moisture which leads to separation and formation of acids during storage. Acidic gas can damage the fuel system of an engine while in storage.

- Empty the fuel tank by starting the engine and letting it run until the fuel lines and carburetor are empty.
- Never use engine or carburetor cleaner products in the fuel tank or permanent damage may occur.
- Use fresh fuel next season.

**NOTE:** Fuel stabilizer is an acceptable alternative in minimizing the formation of fuel gum deposits during storage. Add stabilizer to gasoline in fuel tank or storage container. Always follow the mix ratio found on stabilizer container. Run engine at least 10 minutes after adding stabilizer to allow the stabilizer to reach the carburetor. Do not empty the gas tank and carburetor if using fuel stabilizer.

#### ENGINE OIL

Drain oil (with engine warm) and replace with clean engine oil. (See "ENGINE" in the Maintenance section of this manual).

#### CYLINDER(S)

1. Remove spark plug(s).
2. Pour one ounce of oil through spark plug hole(s) into cylinder(s).
3. Turn ignition key to "START" position for a few seconds to distribute oil.
4. Replace with new spark plug(s).

#### OTHER

- Do not store gasoline from one season to another.
- Replace your gasoline can if your can starts to rust. Rust and/or dirt in your gasoline will cause problems.
- If possible, store your riding mower indoors and cover it to give protection from dust and dirt.
- Cover your riding mower with a suitable protective cover that does not retain moisture. Do not use plastic. Plastic cannot breathe which allows condensation to form and will cause your riding mower to rust.

**IMPORTANT:** Never cover riding mower while engine and exhaust areas are still warm.

## TROUBLESHOOTING CHART:

See appropriate section in manual unless directed to Sears service center.

| PROBLEM  | CAUSE  | CORRECTION   |
|--|--|--|
| Will not start   | 1 Out of fuel.                                     | 1 Fill fuel tank.  |
|  | 2 Bad spark plug.                                  | 2 Replace spark plug.  |
|  | 3 Dirty air filter.                                | 3 Clean/replace air filter.  |
|  | 4 Water in fuel.                                   | 4 Empty fuel tank & carburetor, refill tank with fresh gasoline & replace fuel filter.                         |
|  | 5 Loose or damaged wiring.                         | 5 Check all wiring.  |
|  | 6 Engine valves out of adjustment.                 | 6 Contact a Sears or other qualified service center.   |
| Hard to start  | 1 Dirty air filter.                                | 1 Clean/replace air filter.  |
|  | 2 Bad spark plug.                                  | 2 Replace spark plug.  |
|  | 3 Weak or dead battery.                            | 3 Recharge or replace battery.   |
|  | 4 Stale or dirty fuel.                             | 4 Empty fuel tank and refill tank with fresh, clean gasoline.  |
|  | 5 Loose or damaged wiring.                         | 5 Check all wiring.  |
|  | 6 Engine valves out of adjustment.                 | 6 Contact a Sears or other qualified service center.   |
| Engine will not turn over  | 1 Clutch/brake pedal not depressed.                | 1 Depress clutch/brake pedal.  |
|  | 2 Deck clutch is engaged.                          | 2 Disengage deck clutch.   |
|  | 3 Weak or dead battery.                            | 3 Recharge or replace battery.   |
|  | 4 Blown fuse.                                      | 4 Replace fuse.  |
|  | 5 Corroded battery terminals.                      | 5 Clean battery terminals.   |
|  | 6 Loose or damaged wiring.                         | 6 Check all wiring.  |
|  | 7 Faulty ignition switch.                          | 7 Check/replace ignition switch.   |
|  | 8 Faulty solenoid or starter.                      | 8 Check/replace solenoid or starter.   |
|  | 9 Faulty operator presence switch(es).             | 9 Contact a Sears or other qualified service center.   |
| Engine clicks but will not start   | 1 Weak or dead battery.                            | 1 Recharge or replace battery.   |
|  | 2 Corroded battery terminals.                      | 2 Clean battery terminals.   |
|  | 3 Loose or damaged wiring.                         | 3 Check all wiring.  |
|  | 4 Faulty solenoid or starter.                      | 4 Check/replace solenoid or starter.   |
| Loss of power  | 1 Cutting too much grass/too fast.                 | 1 Raise cutting height/reduce speed.   |
|  | 2 Build-up of grass, leaves and trash under mower. | 2 Clean underside of mower housing.  |
|  | 3 Dirty air filter.                                | 3 Clean/replace air filter.  |
|  | 4 Low oil level/dirty oil.                         | 4 Check oil level/change oil.  |
|  | 5 Faulty spark plug.                               | 5 Clean & regap or change spark plug.  |
|  | 6 Stale or dirty fuel.                             | 6 Empty fuel tank and refill tank with fresh, clean gasoline.  |
|  | 7 Water in fuel.                                   | 7 Empty fuel tank and carburetor, refill tank with fresh gasoline.   |
|  | 8 Spark plug wire loose.                           | 8 Connect & tighten spark plug wire.   |
|  | 9 Dirty engine air screen/fins.                    | 9 Clean engine air screen/fins.  |
|  | 10 Dirty/clogged muffler.                          | 10 Clean/replace muffler.  |
|  | 11 Loose or damaged wiring.                        | 11 Check all wiring.   |
|  | 12 Engine valves out of adjustment.                | 12 Contact a Sears or other qualified service center.  |
| Excessive vibration  | 1 Worn, bent or loose blade.                       | 1 Replace blade. Tighten blade bolt.   |
|  | 2 Bent blade mandrel.                              | 2 Contact a Sears or other qualified service center.   |
|  | 3 Loose/damaged part(s).                           | 3 Tighten loose part(s). Replace damaged parts.  |
| Engine continues to run when operator leaves seat with attachment clutch engaged | 1 Faulty operator-safety presence control system.  | 1 Check wiring, switches and connections. If not corrected, contact a Sears or other qualified service center. |

## TROUBLESHOOTING CHART:

See appropriate section in manual unless directed to Sears service center.

| PROBLEM   | CAUSE  | CORRECTION  |
|---|--|---|
| Poor cut - uneven cutting                             | 1 Worn, bent or loose blade.   | 1 Replace blade. Tighten blade bolt.  |
|   | 2 Mower deck not level.  | 2 Level mower deck.   |
|   | 3 Buildup of grass, leaves, and trash under mower.                                       | 3 Clean underside of mower housing.   |
|   | 4 Bent blade mandrel.  | 4 Contact a Sears or other qualified service center.  |
|   | 5 Clogged mower deck vent from build-up of grass, leaves, and trash around mandrel.      | 5 Clean around mandrels to open vent holes.   |
| Mower blade will not rotate                           | 1 Obstruction in clutch mechanism.   | 1 Remove obstruction.   |
|   | 2 Worn/damaged mower drive belt.   | 2 Replace mower drive belt.   |
|   | 3 Frozen idler pulley.   | 3 Replace idler pulley.   |
|   | 4 Frozen blade mandrel.  | 4 Contact a Sears or other qualified service center.  |
| Poor grass discharge                                  | 1 Travel speed too fast.   | 1 Shift to slower speed.  |
|   | 2 Wet grass.   | 2 Allow grass to dry before mowing.   |
|   | 3 Mower deck not level.  | 3 Level mower deck.   |
|   | 4 Low/uneven tire air pressure.  | 4 Check tires for proper PSI.   |
|   | 5 Worn, bent or loose blade.   | 5 Replace/sharpen blades. Tighten blade bolt.   |
|   | 6 Buildup of grass, leaves and trash under mower.  | 6 Clean underside of mower housing.   |
|   | 7 Mower drive belt worn.   | 7 Replace mower drive belt.   |
|   | 8 Blade improperly installed.  | 8 Reinstall blade sharp edge down.  |
|   | 9 Improper blade used.   | 9 Replace with blade listed in parts manual.  |
|   | 10 Clogged mower deck vent from build-up of grass, leaves, and trash around mandrel.     | 10 Clean around mandrels to open vent holes.  |
| Battery will not charge                               | 1 Bad battery cell(s).   | 1 Replace battery.  |
|   | 2 Poor cable connections.  | 2 Check/clean all connections.  |
|   | 3 Faulty alternator.   | 3 Replace alternator.   |
| Loss of drive   | 1 Axle key missing.  | 1 Install axle key at rear wheel. See "TO REMOVE WHEEL" in the Service and Adjustments section. |
|   | 2 Clutch out of adjustment.  | 2 Adjust clutch. See "TO ADJUST CLUTCH" in the Service and Adjustments section.                 |
| Engine dies when riding mower is shifted into reverse | 1 Reverse operation system (ROS) is not "ON" while mower or other attachment is engaged. | 1 Turn ignition key to ROS "ON" position. See Operation section.                                |
|   | 2 Engine is cold.  | 2 Allow engine warm-up by running for several seconds to several minutes.                       |

## NEED MORE HELP?

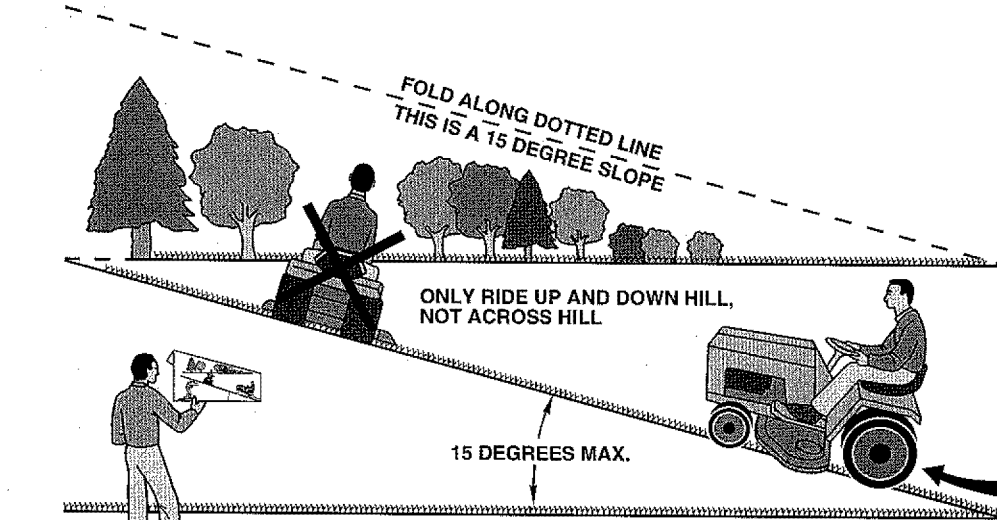
You'll find the answer and more on [managemyhome.com](http://managemyhome.com) - for free!

- Find this and all your other product manuals online.
- Get answers from our team of home experts.
- Get a personalized maintenance plan for your home.
- Find information and tools to help with home projects.

**manage my home**

brought to you by Sears

## SUGGESTED GUIDE FOR SIGHTING SLOPES FOR SAFE OPERATION



**WARNING:** To avoid serious injury, operate your tractor up and down the face of slopes, never across the face. Do not mow slopes greater than 15 degrees. Make turns gradually to prevent tipping or loss of control. Exercise extreme caution when changing direction on slopes.

1. Fold this page along dotted line indicated above.
2. Hold page before you so that its left edge is vertically parallel to a tree trunk or other upright structure.
3. Sight across the fold in the direction of hill slope you want to measure.
4. Compare the angle of the fold with the slope of the hill.

## TABLA DE CONTENIDO

|                                    |    |                                 |    |
|------------------------------------|----|---------------------------------|----|
| Garantía.....                      | 31 | Programa de mantenimiento ..... | 47 |
| Reglas de seguridad.....           | 32 | Mantenimiento .....             | 47 |
| Especificaciones del producto..... | 35 | Servicio y Ajustes .....        | 52 |
| Ensamblado/Preoperación .....      | 36 | Almacenamiento.....             | 56 |
| Operación .....                    | 40 | Solución de problemas.....      | 57 |

## GARANTÍA

### Garantía para equipos tractores Craftsman

#### GARANTÍA COMPLETA DE CRAFTSMAN

**POR DOS AÑOS** desde la fecha de compra, todas las partes no sustituibles de este equipo tractor están garantizadas contra cualquier defecto de material o mano de obra. Una parte no sustituible defectuosa recibirá reparación o reemplazo gratuito en casa si la reparación es imposible.

**POR CINCO AÑOS** desde la fecha de compra, el bastidor y el eje delantero de este equipo tractor están garantizados contra cualquier defecto de material o mano de obra. Un bastidor o eje delantero defectuoso recibirá reparación o reemplazo gratuito en casa si la reparación es imposible.

**DURANTE 90 DÍAS** desde la fecha de compra, la batería (una parte sustituible) de este equipo tractor está garantizada contra cualquier defecto de material o mano de obra (nuestra prueba comprueba que no contendrá carga). Una batería defectuosa recibirá un reemplazo gratuito en casa.

**GARANTÍA LIMITADA DE POR VIDA ADICIONAL** en el **EJE DELANTERO DE HIERRO COLADO** (si está provisto)

**DURANTE EL TIEMPO EN QUE SE USE** por el propietario original después del quinto año a partir de la fecha de compra, el eje delantero de hierro colado (si está provisto) de este equipo tractos está garantizado contra cualquier defecto de material o mano de obra. Con el comprobante de compra, un eje delantero de hierro colado recibirá un reemplazo gratuito en casa.

#### SERVICIO DE GARANTÍA

Para conocer los detalles de la cobertura de garantía para obtener una reparación o reemplazo gratuito, llame al 1-800-659-5917 ó visite el sitio web: [www.craftsman.com](http://www.craftsman.com)

En todos los casos anteriores, si el reemplazo es imposible, el equipo tractor será sustituido sin cargo con el mismo modelo o uno equivalente.

Toda la cobertura de garantía anterior será nula si este equipo tractor se utiliza alguna vez para brindar servicios comerciales o si se alquila a otra persona.

Esta garantía cubre ÚNICAMENTE defectos de material y mano de obra. La cobertura de garantía NO incluye:

- Partes sustituibles (excepto la batería) que se puedan desgastar por el uso normal dentro del período de garantía incluso, pero sin limitarse a, cuchillas, bujías, filtros de aire, correas y filtros de aceite.
- Servicios de mantenimiento estándar, cambios de aceite o afinaciones.
- Reemplazo o reparación de neumáticos por pinchazos causados por objetos externos como clavos, espinas, tocones o vidrios.
- Reemplazo o reparación de neumáticos o ruedas por desgaste normal, accidentes o por operación o mantenimiento incorrectos.
- Reparaciones necesarias por abuso del operador incluso, pero sin limitarse a, daños causados por remolcar objetos que superen la capacidad del equipo tractor, chocar contra objetos que doblen el bastidor, el ensamble del eje o el cigüeñal o sobrepasar la velocidad del motor.
- Reparaciones necesarias por negligencia del operador, incluso (pero sin limitarse a ello) daños eléctricos y mecánicos causados por el almacenamiento incorrecto, por no usar el grado y la cantidad correctos de aceite de motor, por no mantener el muelle libre de residuos inflamables o por no mantener el equipo tractor de acuerdo con las instrucciones que contiene el manual del operador.
- Limpieza o reparaciones del motor (sistema de combustible) cuando se determina que se usó combustible contaminado y oxidado (sarro). En general, el combustible debe usarse dentro de los 30 días posteriores a su compra.
- Deterioro y desgaste normal de los acabados exteriores o sustitución de rótulos de productos.

Esta garantía le otorga derechos legales específicos, y usted también puede tener otros derechos que varían de un estado a otro.

Sears Brands Management Corporation, Hoffman Estates, IL 60179

## REGLAS DE SEGURIDAD

**PELIGRO:** Esta Máquina cortadora es capaz de amputar las manos y los pies y de lanzar objetos, si no se observan las instrucciones de seguridad siguientes se pueden producir lesiones graves o la muerte.

**⚠ ADVERTENCIA:** Con el fin de prevenir un arranque accidental cuando configure, transporte, ajuste o repare la máquina, siempre desconecte el cable de la bujía y coloque el cable donde no pueda entrar en contacto con la bujía.

**⚠ ADVERTENCIA:** No descienda por una colina en neutral, pues puede perder el control de la cortadora de césped.

**⚠ ADVERTENCIA:** El escape del motor, algunas de sus partes y ciertos componentes del vehículo contienen o emiten productos químicos de los que se sabe en el Estado de California que causan cáncer y defectos de nacimiento u otros daños reproductivos.

**⚠ ADVERTENCIA:** Esta unidad no es para usarse con pesas para ruedas. Use sólo accesorios diseñados específicamente para esta cortadora de césped.

**⚠ ADVERTENCIA:** Los postes, las terminales y los accesorios relacionados de la batería contienen plomo y compuestos de plomo, productos químicos de los que se sabe en el Estado de California que causan cáncer y defectos de nacimiento u otros daños reproductivos.

### I. OPERACIÓN GENERAL

- Lea, entienda y siga todas las instrucciones sobre la máquina en el manual antes de comenzar.
- No coloque las manos ni los pies cerca de las partes giratorias ni debajo de la máquina. Manténgase alejado de la abertura de descarga en todo momento.
- Sólo permita que los adultos responsables, que estén familiarizados con las instrucciones, operen la máquina.
- Libere el área de objetos como piedras, juguetes, cables, etc., pues podrían atraparse y lanzarse con la cuchilla.
- Asegúrese de que el área esté libre de curiosos antes de operar la máquina. Detenga la máquina si alguien entra en el área.
- Nunca transporte pasajeros.
- No corte en reversa, a menos que sea absolutamente necesario. Siempre mire hacia abajo y hacia atrás antes y cuando vaya en reversa.
- Nunca dirija el material que se descarga hacia nadie. Evite descargar el material contra una pared u otra obstrucción. El material puede rebotar hacia el operador. Detenga la cuchilla cuando cruce por superficies con grava.

- No maneje la máquina si no tiene el colector de césped completo, la canaleta de descarga u otros dispositivos de seguridad en su lugar y en funcionamiento.
- Desacelere antes de dar la vuelta.
- Nunca deje la máquina en funcionamiento sin vigilar. Siempre detenga la cuchilla, active el freno de estacionamiento, detenga el motor y retire la llave antes de descender.
- Desactive la cuchilla cuando no esté cortando césped. Apague el motor y espere hasta que todas las partes se detengan por completo antes de limpiar la máquina, retirar el colector de césped o destapar la canaleta de descarga.
- Opere la máquina únicamente durante el día o con buena luz artificial.
- No opere la máquina mientras esté bajo la influencia de alcohol o drogas.
- Esté pendiente del tráfico cuando opere la máquina cerca de caminos o al cruzarlos.
- Tenga cuidado extremo cuando cargue o descargue la máquina de un trailer o camión.
- Use siempre protección ocular cuando opere la máquina.
- Los datos indican que los operadores de 60 ó más años de edad entran en un alto porcentaje de lesiones relacionadas con cortadoras de césped. Estos operadores deben evaluar su habilidad para operar la cortadora de césped en forma suficientemente segura como para protegerse a sí mismos y a los demás de una lesión grave.
- Mantenga la máquina libre de cualquier acumulación de césped, hojas u otra basura, pues podrían entrar en contacto con el escape caliente y/o las partes del motor y quemarse. No permita que la plataforma de la cortadora de césped levante hojas u otra basura que pueda causar acumulaciones. Limpie cualquier derrame de aceite o combustible antes de operar o almacenar la máquina. Permita que la máquina se enfríe antes de almacenarla.



## REGLAS DE SEGURIDAD



### II. OPERACIÓN EN PENDIENTES

Las pendientes son un factor principal que se relaciona con la pérdida de control y los accidentes de volcaduras, lo que puede dar como resultado una lesión grave o la muerte. La operación en todas las pendientes requiere tener precauciones extras. Si usted no puede retroceder de una pendiente o si se siente incómodo en la pendiente, no la pade.

- Puede las pendientes hacia arriba y hacia abajo (a 15° como máximo), no de un lado a otro.
- Tenga cuidado con los hoyos, surcos, protuberancias, piedras y otros objetos ocultos. El terreno disparejo podría volcar la máquina. El césped alto puede esconder los obstáculos.
- Elija una velocidad terrestre baja de modo que no tenga que detenerse o girar mientras esté en la pendiente.
- No corte el césped húmedo. Las llantas pueden perder su tracción.
- Mantenga siempre la máquina en una velocidad cuando baje por las pendientes. No cambie a neutral ni vaya en punto muerto hacia abajo en una colina.
- Si la máquina se para mientras sube por una colina, desactive la cuchilla, cambie a reversa y baje despacio.
- Evite arrancar, parar o girar en una pendiente. Si las llantas pierden su tracción, desactive la cuchilla y proceda con lentitud en línea recta hacia abajo por la pendiente.
- Mantenga todo el movimiento lento y gradual sobre las pendientes. No haga cambios repentinos de velocidad o dirección, pues podría causar que la máquina se vuelque.
- Tenga cuidado extremo mientras opera la máquina con colectores de césped u otros accesorios; pueden afectar la estabilidad de la máquina.
- No la use sobre pendientes pronunciadas.
- No intente estabilizar la máquina poniendo el pie en el suelo.
- No corte cerca de declives, zanjas o terraplenes. La máquina podría volcarse de repente si una rueda pasa sobre la orilla o si la orilla termina en un hoyo.

### III. NIÑOS

Pueden ocurrir accidentes trágicos si el operador no está alerta ante la presencia de niños. Con frecuencia los niños se sienten atraídos por la máquina y la actividad de corte de césped. Nunca dé por un hecho que los niños permanecerán donde usted los vio por última vez.

- Mantenga a los niños alejados del área de corte y bajo la supervisión de un adulto responsable a parte del operador.
- Esté alerta y apague la máquina si un niño entra en el área.
- Antes y mientras avance en reversa, mire hacia atrás y hacia abajo por si hay niños presentes.
- Nunca lleve niños arriba de la máquina, incluso cuando la cuchilla esté desactivada. Pueden caerse y lesionarse gravemente o interferir con la operación segura de la máquina. Los niños a quienes se les da una vuelta en la máquina pueden aparecer de repente en el área de corte para otra vuelta y ser atropellados o golpeados con la máquina.
- Nunca permita que los niños operen la máquina.
- Tenga cuidado extremo al acercarse a las curvas sin visibilidad, arbustos, árboles u otros objetos que puedan bloquear su visión e impedir observar a un niño.

### IV. SERVICIO

manejo seguro de la gasolina

Para evitar una lesión personal o un daño en la propiedad, tenga cuidado extremo al manejar la gasolina. La gasolina es extremadamente inflamable y los vapores son explosivos.

- Apague los cigarrillos, habanos, pipas y otras fuentes de ignición.
- Use sólo un recipiente de gasolina aprobado.
- Nunca retire el tapón de la gasolina ni agregue combustible con el motor en funcionamiento. Permita que el motor se enfríe antes de volver a llenar el tanque de combustible.
- Nunca llene la máquina de combustible en interiores.
- Nunca almacene la máquina o el recipiente de combustible donde haya una flama abierta, chispa o una luz de piloto como la de un calentador de agua u otros aparatos.

## REGLAS DE SEGURIDAD

- Nunca llene los recipientes adentro de un vehículo o en un camión o trailer con forro de plástico. Coloque siempre los recipientes en el suelo y lejos de su vehículo durante el llenado.
- Retire el equipo que funciona con gasolina del camión o trailer y rellénelo en el suelo. Si esto no es posible, entonces rellene este equipo con un recipiente portátil, en lugar de hacerlo directamente con la boquilla del dispensador de gasolina.
- Mantenga la boquilla en contacto con el borde del tanque o recipiente de combustible abriéndolo en todo momento hasta que el llenado de combustible esté completo. No use un dispositivo que mantenga abierta la boquilla.
- Si el combustible se derrama sobre la ropa, cámbiesela de inmediato.
- Nunca llene de más el tanque de combustible. Vuelva a colocar el tapón de la gasolina y apriételo bien.

### SERVICIO GENERAL

- Nunca opere la máquina en un área cerrada.
- Mantenga todas las tuercas y pernos apretados para asegurarse de que el equipo se encuentra en condiciones de trabajo seguras.
- Nunca manipule los dispositivos de seguridad. Revise con regularidad que operen bien.
- Mantenga la máquina libre de cualquier acumulación de césped, hojas u otra basura. Limpie los derrames de aceite o combustible y retire cualquier basura que contenga combustible. Permita que la máquina se enfríe antes de almacenarla.
- Si usted golpea un objeto extraño, deténgase e inspeccione la máquina. Repárela, de ser necesario, antes de volver a empezar.
- Nunca haga ajustes o reparaciones con el motor en funcionamiento.
- Revise los componentes del colector de césped y la canaleta de descarga con frecuencia y sustituya con repuestos recomendados por el fabricante cuando sea necesario.
- La cuchilla de la cortadora de césped tiene filo. Envuelva la cuchilla o use guantes y tenga precaución extrema cuando les dé servicio.
- Revise la operación del freno con frecuencia. Ajuste y dé servicio según sea necesario.
- Conserve o cambie las etiquetas de seguridad e instrucciones según sea necesario.
- Asegúrese de que el área esté libre de curiosos antes de operar la máquina. Detenga la máquina si alguien entra en el área.
- Nunca transporte pasajeros.
- No corte en reversa, a menos que sea absolutamente necesario. Siempre mire hacia abajo y hacia atrás antes y cuando vaya en reversa.

## ESPECIFICACIONES DEL PRODUCTO

|                                   |  |
|-----------------------------------|--|
| Capacidad de gasolina y Tipo:     | 1.5 Gallones (5.6 L)<br>Regular sin plomo              |
| Tipo de Aceite (API-SG-SL):       | SAE 30 (Sobre 32°F/0°C)<br>SAE 5W30 (Deabajo 32°F/0°C) |
| Capacidad de aceite:              | 48 onzas   |
| Bujía:                            | Champion RC12YC<br>(Abertura: .030"/0,76 mm)           |
| Velocidad de Recarrido: (Mph/Kph) | Marcha<br>Adelante: 0 - 4/6,4<br>Atrás: 0 - 2/3,2      |
| Sistema de Carga                  | :3 Amps Batería  |
| Torque del perno de la cuchilla:  | 45-55 Pies/Libras (62-75 Nm)                           |


**FELICITACIONES** por la compra de su cortadora de césped. Ha sido diseñado, planificado y fabricado para darle la mejor confiabilidad y el mejor rendimiento posible.

En el caso de que se encuentre con cualquier problema que no pueda solucionar fácilmente, haga el favor de ponerse en contacto con un centro de servicio Sears o con un otro centro de servicio cualificado. Cuenta con representantes bien capacitados y competentes y con las herramientas adecuadas para darle servicio o para reparar este cortadora de césped.

Haga el favor de leer y de guardar este manual. Estas instrucciones le permitirán montar y mantener su unidad en forma adecuada. Siempre observe las "REGLAS DE SEGURIDAD."

## RESPONSABILIDADES DEL CLIENTE

- Lea y observe las reglas de seguridad.
- Siga un programa regular al darle mantenimiento, cuidados y uso a su cortadora de césped.
- Siga las instrucciones de las secciones de "Mantenimiento" y "Almacenamiento" de este manual del propietario.

 **ADVERTENCIA:** Esta cortadora de césped está equipada con un motor de combustión interna y no se debe usar en o cerca de terrenos cubiertos de bosques sin mejoras, cubiertos de arbustos o cubiertos de pastos, a menos que el sistema de escape del motor esté equipado con un parachispas que cumpla con las leyes locales o estatales aplicables (de haberlas). Si se usa un parachispas, el operador deberá darle mantenimiento en un orden de trabajo efectivo.

En el estado de California, las leyes exigen el uso de un parachispas (Sección 4442 del Código de Recursos Públicos de California). Otros estados pueden tener leyes similares. En los terrenos federales se aplican las leyes federales. Se puede obtener un parachispas para el silenciador a través del centro de servicio autorizado más cercano.

## ACUERDOS DE PROTECCIÓN PARA LA REPARACIÓN

Congratulaciones por su buena compra. Su nuevo producto Craftsman® está diseñado y fabricado para funcionar de modo fiable por muchos años. Pero como todos los productos, puede necesitar alguna reparación de tanto en tanto. En este caso tener un Acuerdo de Protección para la Reparación puede hacerles ahorrar dinero y fastidios. Compre ahora un Acuerdo de Protección para la Reparación y protéjese de molestias y gastos inesperados.

Un Acuerdo incluye los puntos siguientes:

- **Servicio experto** de nuestros 12.000 especialistas profesionales en la reparación.
- **Servicio ilimitado sin cargo alguno** para las partes y la mano de obra sobre todas las reparaciones garantizadas.
- **Sustitución del producto** si su producto garantizado no puede ser arreglado.
- **Descuento del 10%** sobre el precio corriente del servicio y de las partes relativas al servicio no cubiertas por el acuerdo; también el 10% menos sobre el precio corriente de un control de mantenimiento preventivo.
- **Ayuda rápida por teléfono** – soporte telefónico por parte de un representante Sears sobre productos que requieren un arreglo en casa, y además una programación sobre los arreglos más convenientes.

Quando se ha comprado el Acuerdo, basta con una llamada telefónica para programar el servicio. Puede llamar cuando quiera, día y noche o fijar en línea una cita para obtener el servicio. Sears tiene más de 12.000 especialistas profesionales en la reparación, que tienen acceso a más de 4.5 millones de partes y accesorios de calidad.

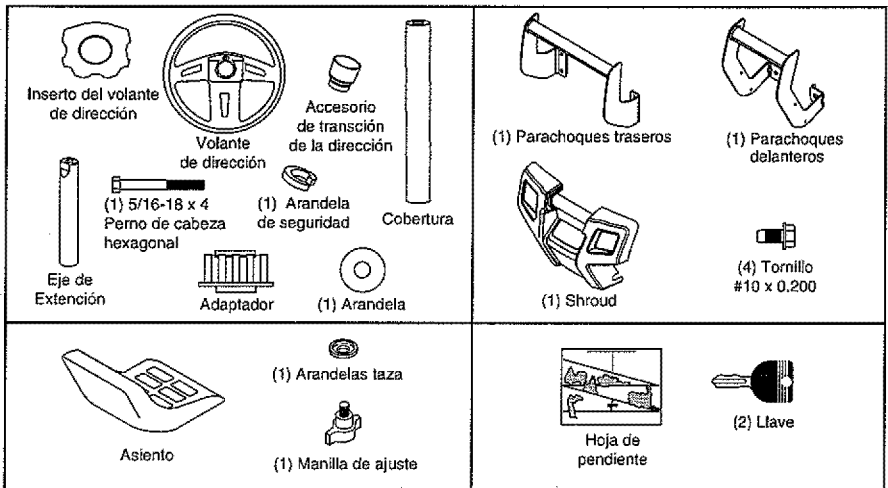
Este es el tipo de profesionalidad con que puede contar para ayudar a alargar la vida del producto que acaba de comprar, por muchos años. ¡Compre hoy su Acuerdo de Protección para la Reparación!

**Se aplican algunas limitaciones y exclusiones. Para conocer los precios y tener más Información, llame al 1-800-827-6655.**

## SERVICIO DE INSTALACIÓN SEARS

*Para la instalación profesional Sears* de aparatos de casa, puertas de garaje, calentadores de agua y otros importantes artículos para la casa, en U.S.A llamar a **1-800-4-MY-HOME®**

## PARTES NO ENSAMBLADAS



## ENSAMBLADO/PREOPERACIÓN

Su nueva cortadora de césped se ha ensamblado en la fábrica con excepción de aquellas partes que se dejan sin ensamblar para el envío. Para asegurar la operación segura y correcta de la cortadora de césped, todas las partes y la ferretería que usted ensamble se deben apretar bien. Use las herramientas correctas necesarias para asegurar un ajuste apropiado.

### HERRAMIENTAS NECESARIAS PARA EL ENSAMBLADO

El ensamblado será más simple si cuenta con un conjunto de llaves de cubo. Los tamaños de llave estándar que necesita se indican en seguida.

- (1) Llave de 1/2"
- (1) Herramienta de cuchilla
- (1) Calibrador de presión para llantas

Cuando se menciona la derecha o la izquierda en este manual, esto significa cuando usted se encuentra en la posición de operación (sentado al volante).

### RETIRO DE LA CORTADORA DE CÉSPED DE LA CAJA DE CARTÓN

#### DESEMPACADO DE LA CAJA DE CARTÓN

1. Retire todas las partes sueltas accesibles y las cajas de las partes del cartón.
2. Corte las líneas punteadas de los cuatro paneles de la caja de cartón. Retire la caja de cartón y el marco superior como una sola pieza.
3. Retire los materiales de empaque de la cortadora de césped.
4. Revise si hay cualquier parte suelta o cartones adicionales y retírelos.

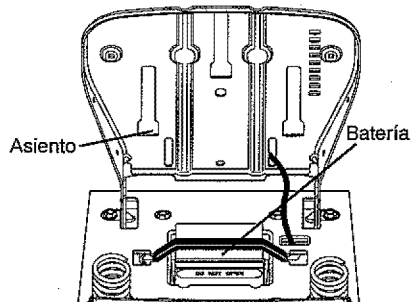
**NOTA:** Sólo corte la caja de cartón con una herramienta de cuchilla corta, pues una de cuchilla larga o una sierra pueden pinchar las llantas de la unidad.

### CÓMO CONFIGURAR SU CORTADORA DE CÉSPED

#### REVISE LA BATERÍA

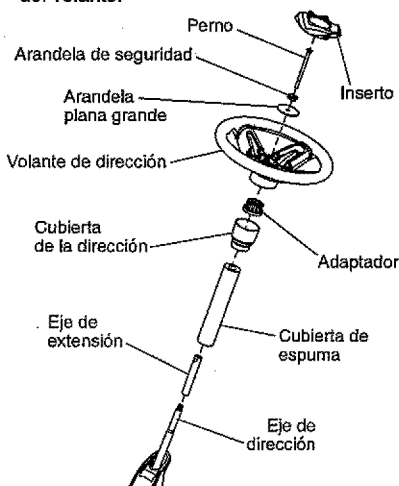
Asegúrese de que la batería esté bien sujeta, y que todos los cables estén bien conectados.

- La batería está ubicada debajo del asiento.
- La batería se ha cargado por completo en la fábrica antes de su instalación.

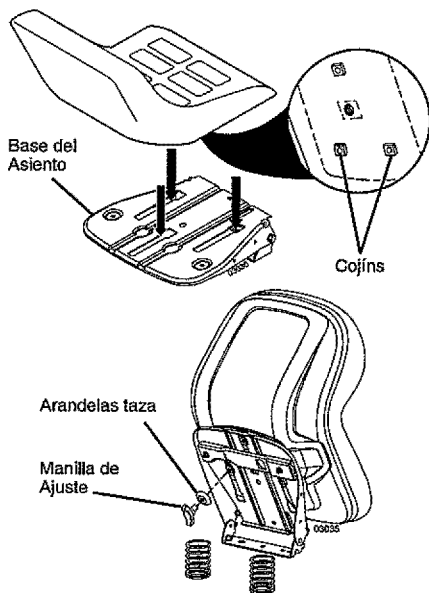


## PARA INSTALACIÓN DE COLUMNA DE DIRECCIÓN

1. Deslice el eje de extensión sobre el eje de dirección.
2. Deslice la cubierta de espuma de protección del eje de dirección sobre el eje de dirección.
3. Coloque el manguito de dirección sobre el eje de dirección y empuje hacia abajo para asegurarlo.
4. Coloque las ruedas delanteras de la cortadora de césped de modo que apunten en línea recta hacia adelante.
5. Retire el adaptador del volante y deslice el adaptador sobre el eje de dirección.
7. Presione el volante en su posición sobre el eje, instale la arandela grande, bloquee la arandela y apriete bien el perno.
8. Coloque bien el inserto del volante en el centro del volante.



6. Baje el asiento a la posición de operación y siéntese en el asiento.
7. Deslice el asiento hasta que llegue a una posición cómoda, que le permita presionar el pedal del embrague/freno completamente hasta abajo.
8. Desmóntese del asiento sin mover su posición ajustada.
9. Levante el asiento y apriete la manilla de ajuste en forma segura.



**NOTA:** Ahora puede sacar la cortadora de césped de la tarima. Observe las siguientes instrucciones apropiadas para retirar la cortadora de césped de la tarima.

**⚠ ADVERTENCIA:** Antes de empezar, lea, entienda y siga todas las instrucciones de la sección de Operación de este manual. Asegúrese de que la cortadora de césped esté en un área bien ventilada. Asegúrese de que el área de enfrente de la cortadora de césped esté libre de gente y objetos.

## PARA SACAR LA CORTADORA DE CÉSPED DE LA TARIMA (Consulte la sección de Operación para ver la ubicación y función de los controles)

1. Eleve la palanca del elevador de la plataforma hasta su posición máxima.
2. Suelte el freno de estacionamiento al liberar el pedal del embrague/freno.
3. Cambie unidad a la posición de neutro.
4. Saque la cortadora de césped de la tarima.

## PARA INSTALACIÓN DEL ASIENTO

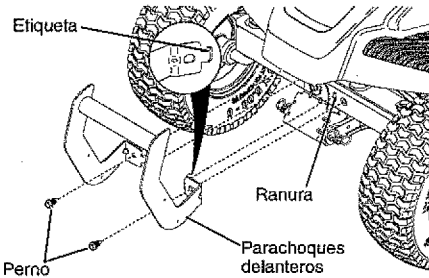
Ajuste el asiento antes de apretar la manilla de ajuste.

1. Remueva la manilla de ajuste y la arandela plana que aseguran el asiento al empaque de cartón y póngalos de lado para poder utilizarlos durante la instalación del asiento sobre el tractor.
2. Remueva y deseche del embalaje de cartón.
3. Coloque el asiento y en el asiento del recipiente de manera que la tres (3) cojines esté posicionada en el agujero ancho ranurado en el recipiente.
4. Empujar en el asiento para enganchar el cojines en la ranura y empujar el asiento hacia la parte trasera del tractor.
5. Pivotear el asiento y el recipiente hacia adelante y ensamblar el botón de regulación y la arandela taza de modo no fuerte. No apretar enroscar fuerte.

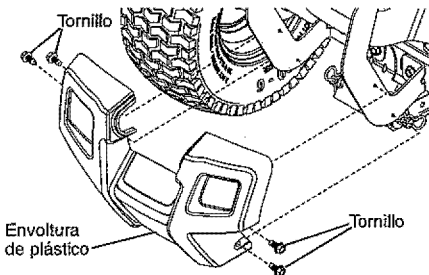
## COLOCACIÓN DE LA DEFENSA DELANTERA

**NOTA:** Para que el armado le resulte sencillo, puede solicitar ayuda a otra persona cuando monte la defensa en la cortadora de césped.

1. Retire los tornillos (2) del chasis delantero de la cortadora de césped.
2. Inclíne la defensa delantera de modo que las pestañas de la defensa entren en las ranuras del frente del chasis y baje la defensa hacia su lugar.
3. Coloque la defensa en el frente del chasis con los tornillos que retiró en el paso 1.
4. Apriete bien los dos (2) tornillos.



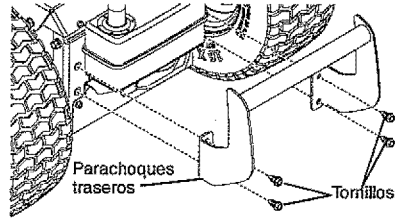
5. Coloque la envoltura de plástico sobre la defensa conforme se muestra y ensámblela holgadamente en la defensa con los cuatro (4) tornillos provistos.
6. Apriete bien los cuatro (4) tornillos.



## COLOCACIÓN DE LA DEFENSA TRASERA

**NOTA:** Para que el armado le resulte sencillo, puede solicitar ayuda a otra persona cuando monte la defensa en la cortadora de césped.

1. Retire los tornillos (4) del chasis trasero de la cortadora de césped.
2. Coloque la defensa conforme se muestra y ensámblela en el chasis trasero con los tornillos que retiró en el paso 1.
3. Apriete bien los cuatro (4) tornillos.



## REVISE LA PRESIÓN DE LAS LLANTAS

Las llantas de la cortadora de césped se inflaron de más en la fábrica para su transporte. Corregir la presión de las llantas es importante para obtener el mejor desempeño del corte.

- Reduzca la presión de las llantas a la PSI que se muestra en las llantas.

## REVISE LA NIVELACIÓN DE LA PLATAFORMA

Para obtener los mejores resultados de corte, la carcasa de la cortadora de césped se debe nivelar bien. Consulte la parte de "NIVELACIÓN DE LA CARCASA DE LA CORTADORA DE CÉSPED" en la sección de Servicio y Ajustes de este manual.

## REVISE LA POSICIÓN CORRECTA DE LA CINTA DEL IMPULSOR DE LA CORTADORA DE CÉSPED

Observe la figura que se muestra para cambiar la cinta del impulsor de la cortadora de césped en la sección de servicio y ajuste de este manual. Verifique que la cinta esté en la ruta correcta.

## REVISE EL SISTEMA DE FRENO

Después de que haya aprendido cómo operar su cortadora de césped, revise que el freno funcione bien. Consulte la parte de "AJUSTE DE FRENO" en la sección de Servicio y Ajustes de este manual.

## ✓ LISTA DE REVISIÓN

Antes de operar su nueva cortadora de césped, deseamos asegurarnos de que usted obtenga el mejor desempeño y satisfacción de este Producto de Calidad.

Por favor revise la siguiente lista de revisión:

- ✓ Todas las instrucciones de ensamblaje se han completado.
- ✓ No queda ninguna parte suelta en la caja de cartón.
- ✓ La batería está bien conectada.
- ✓ El asiento está ajustado cómodamente y bien apretado.
- ✓ Todas las llantas están bien infladas. (Las llantas se inflan de más en la fábrica para su transportación.)
- ✓ Asegúrese de que la plataforma de la cortadora de césped esté bien nivelada de lado a lado y del frente a la parte posterior para obtener los mejores resultados de corte. (Las llantas deben estar bien infladas para la nivelación.)
- ✓ Revise la cinta de la cortadora de césped. Asegúrese de que esté en la ruta correcta alrededor de las poleas y adentro de todas las sujeciones de la cinta.
- ✓ Revise el cableado. Asegúrese de que todas las conexiones estén bien colocadas y que los cables estén bien sujetos.

Al aprender cómo usar su cortadora de césped, preste atención extra a los siguientes puntos importantes:

- ✓ El aceite del motor está en un nivel adecuado.
- ✓ El tanque de combustible está lleno con gasolina sin plomo regular nueva y limpia.
- ✓ Familiarícese con todos los controles, su ubicación y función. Opérelos antes de arrancar el motor.
- ✓ Asegúrese de que el sistema de freno está en condiciones de operación seguras.
- ✓ Asegurarse de que el Sistema de Presencia del Operador y el Sistema de Funcionamiento Atrás (ROS) funcionan de modo adecuado (Ver las Secciones de Funcionamiento y Mantenimiento en este manual.)

# OPERACIÓN

Estos símbolos pueden aparecer en la cortadora de césped o en la literatura provista con el producto. Aprenda y entienda su significado.

**R**  
MARCHA ATRÁS

**N**  
NEUTRO

**H**  
ALTO

**L**  
BAJO

  
ESTRANGU-  
LACIÓN

  
RÁPIDO

  
LENTO

  
INTERRUPTOR  
DE IGNICIÓN

  
MOTOR  
APAGADO

  
SISTEMA  
FUNCIONAMIENTO  
ATRÁS (ROS)

  
MOTOR  
ENCENDIDO

  
MOTOR  
EN MARCHA

  
PRESIÓN  
DEL ACEITE

  
FRENO DE  
MANO SE CERRÓ

  
FRENO DE  
MANO ABIERTO

  
SOBRE LUZ DE  
TEMPERATURAS

  
COMBUSTIBLE

  
PRESIÓN  
DEL ACEITE

  
BATERÍA

  
MARCHA  
ATRÁS

  
MARCHA  
HACIA ADELANTE

  
ALTURA DE LA  
SEGADORA

  
LEVANTAMIENTO  
DE LA SEGADORA

  
ACCESORIO DEL  
EMBRAGUE  
ENGANCHADO

  
ACCESORIO DEL  
EMBRAGUE  
DESENGANCHADO

  
PELIGRO, GUARDE LAS  
MANOS Y LOS PIES LEJOS

  
MANTENGA EL  
AREA DESPEJADA

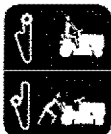
  
PELIGROS DE  
PENDIENTES

  
PELIGROS DE  
PENDIENTES

(Vea la sección de las reglas de seguridad)

  
PEDAL DE  
FRENO/EMBRAGUE

CONTROL DE  
RUEDA LIBRE  
DESACTIVADO



CONTROL DE  
RUEDA LIBRE  
ACTIVADO



No seguir las siguientes instrucciones puede provocar heridas o muerte. Los símbolos de aviso de seguridad se utilizan para identificar informaciones de seguridad relativas a peligros que pueden provocar la muerte, heridas graves y/o daños a la máquina.



**PELIGRO** indica un peligro que, si no se evita, provoca muerte o lesiones graves.



**ADVERTENCIA** indica un peligro que, si no se evita, puede provocar muerte o lesiones graves.



**PRECAUCIÓN** indica un peligro que, si no se evita, puede provocar lesiones ligeras o moderadas.



**PRECAUCIÓN** cuando se utiliza sin el símbolo de aviso, indica una situación que puede provocar daños al tractor y/o al motor.



**SUPERFICIES CALIENTES** indica un peligro que, si no se evita, puede provocar la muerte, lesiones graves y/o daños a la máquina.



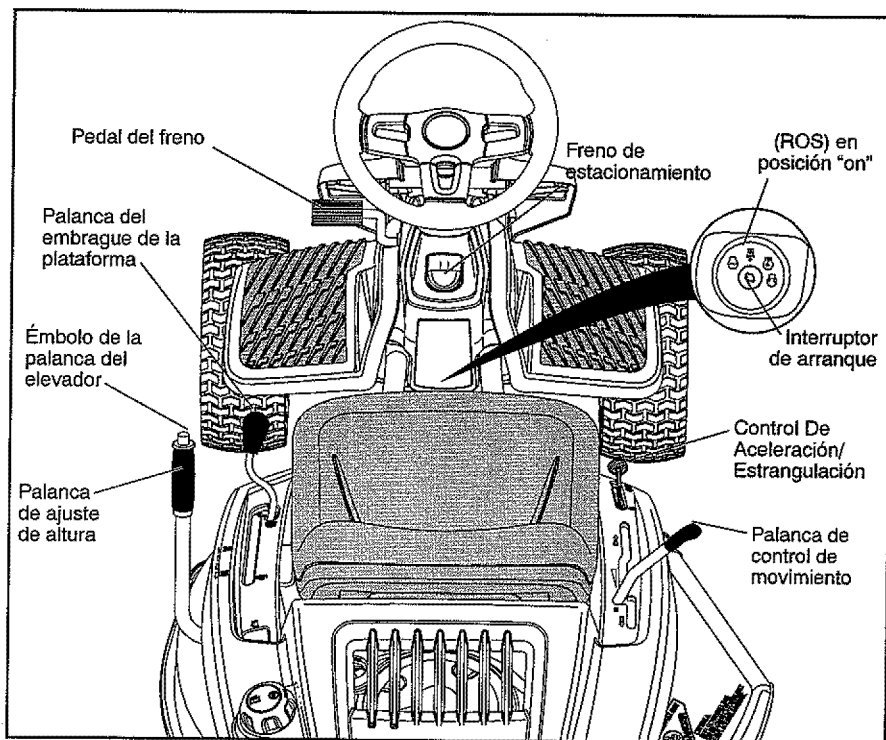
**FUEGO** indica un peligro que, si no se evita, puede provocar la muerte, lesiones graves y/o daños a la máquina.



## CONOZCA SU CORTADORA DE CÉSPED

LEA ESTE MANUAL DEL PROPIETARIO Y LAS REGLAS DE SEGURIDAD ANTES DE OPERAR SU CORTADORA DE CÉSPED

Compare las ilustraciones con su cortadora de césped para familiarizarse con las ubicaciones de los diferentes controles y ajustes. Conserve este manual para futuras consultas.



Nuestra cortadora de césped cumple con las normas de seguridad aplicables del Instituto Nacional Estadounidense de Normas.

**PALACA DEL EMBRAGUE DE LA PLATAFORMA** - Se usa para activar la cuchilla de la cortadora de césped.

**FRENO DE ESTACIONAMIENTO** - Se usa para frenar la cortadora de césped y arrancar el motor.

**PALANCA DE AJUSTE DE ALTURA** - Se usa para ajustar la altura de corte de la cortadora de césped.

**INTERRUPTOR DE ARRANQUE** - Se usa para arrancar y detener el motor.

**ÉMBOLO DE LA PALANCA DEL ELEVADOR** - Se usa para soltar la palanca de ajuste de altura cuando se cambia su posición.

**PALANCA DE FRENO DE ESTACIONAMIENTO** - Fija el freno de estacionamiento en la posición de freno.

**PALANCA DE CONTROL DE MOVIMIENTO** - Seleccióna la velocidad y dirección de la cortadora de césped.

**INTERRUPTOR DEL SISTEMA DE FUNCIONAMIENTO HACIA ATRÁS (ROS) EN POSICIÓN "ON"** - Permite la operación del conjunto segador o otro accesorio accionado mientras que en revés.

**CONTROL DE ACELERACIÓN/ESTRANGULACIÓN** - Se usa para hacer arrancar y controlar la velocidad del motor.

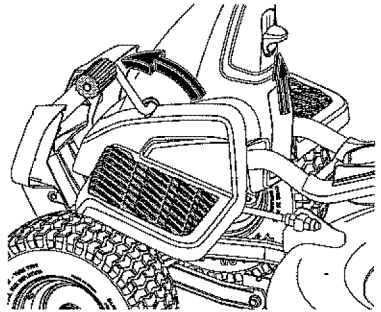


La operación de cualquier cortadora de césped puede causar que entren objetos extraños en los ojos, lo que puede provocar un daño severo en los mismos. Use siempre lentes de seguridad o protecciones oculares mientras esté operando la cortadora de césped o realizando cualquier ajuste o reparación. Se recomienda usar una careta de seguridad de visión amplia sobre los anteojos o lentes de seguridad estándar.

## CÓMO USAR LA CORTADORA DE CÉSPED ACTIVACIÓN DEL FRENO DE ESTACIONAMIENTO

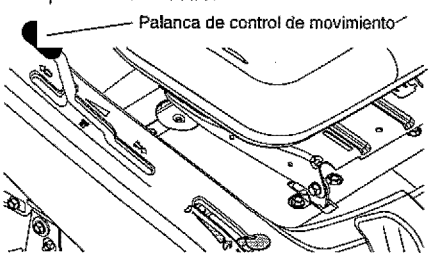
La cortadora de césped está equipada con un interruptor de detección de presencia del operador. Cuando el motor esté en funcionamiento, cualquier intento del operador de dejar el asiento sin primero activar el freno de estacionamiento apagará el motor.

1. Presione el pedal del freno completamente hasta abajo y manténgalo presionado.
2. Jale y sostenga la palanca del freno de estacionamiento hacia arriba, libere la presión del pedal de freno y luego suelte la palanca del freno de estacionamiento. El pedal debe permanecer en posición de frenado. Asegúrese de que el freno de estacionamiento mantendrá detenida la cortadora de césped.



## IMPULSIÓN DE RECORRIDO -

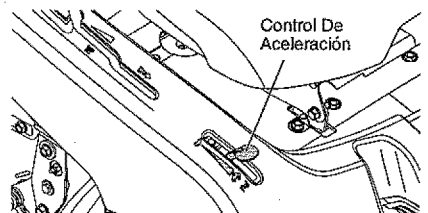
- Para parar el mecanismo impulsor, presione el pedal del freno completamente.
- Mueva la palanca de control de movimiento a la posición de neutro.



## MOTOR -

- Mover la palanca de mando entre la posición de velocidad media y máxima (rápida).

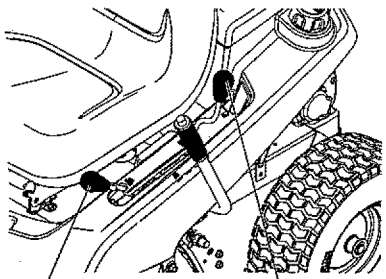
**AVISO:** Si no se mueve la palanca de mando entre la posición de velocidad media y máxima (rápida), antes de pararse, se puede causar un "retorno de llama" del motor.



## PARADA

### CUCHILLA DE LA CORTADORA DE CÉSPED -

- Para detener la cuchilla de la cortadora de césped, mueva la palanca del embrague de la plataforma a la posición de "desactivada".



(☑) "Enganchado" (Engaged)

(☒) "Desenganchado" (Disengaged)

- Gire la llave de ignición a la posición de apagado "STOP" y remueva la llave al abandonar el cortadora de césped para evitar el uso no autorizado.

**IMPORTANTE:** Dejando el interruptor de la ignición en cualquier posición otra que "STOP" causar l que la batería se descargue (muerta).

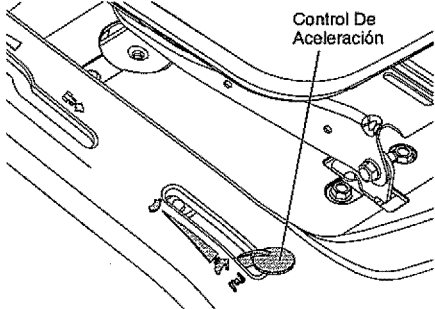
**AVISO:** Bajo ciertas condiciones, cuando el cortadora de césped está parado con el motor andando en vacío, los gases de escape del motor caliente pueden hacer que el césped se ponga "café." Para eliminar esta posibilidad, siempre pare el motor cuando pare el cortadora de césped en áreas con césped.

**⚠ PRECAUCIÓN:** Siempre pare el cortadora de césped completamente, según se ha descrito anteriormente, antes de abandonar la posición del operador.

## PARA USAR EL CONTROL DE LA ACCELERACIÓN

Siempre opere el motor a una aceleración completa.

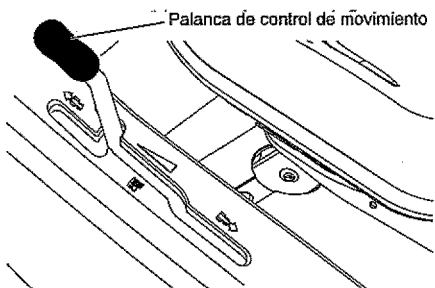
- Si el motor funciona a una velocidad inferior a la máxima (rápida), su rendimiento disminuye.
- El rendimiento óptimo se obtiene a la velocidad máxima (rápida).



## MOVIMIENTO HACIA ADELANTE Y HACIA ATRÁS

La dirección y la velocidad del movimiento se controla por medio de la palanca de control de movimiento.

1. Asegúrese de que el freno de estacionamiento esté activado.
2. Arranque la cortadora de césped con la palanca de control de movimiento en la posición neutral (N).
3. Libere el freno de estacionamiento.
4. Mueva lentamente la palanca de control de movimiento a la posición deseada.



## AJUSTE DE LA ALTURA DE CORTE DE LA CORTADORA DE CÉSPED

La posición de la palanca del elevador de la plataforma de la cortadora de césped determina la altura de corte.

- Agarre la palanca del elevador.
- Presione el émbolo de la palanca del elevador con el pulgar y mueva la palanca a la posición deseada.

El rango de altura de corte es de aproximadamente 1-1/2 a 4". Las alturas se miden desde el suelo hasta la punta de la cuchilla con el motor sin funcionar. Estas alturas son aproximadas y pueden variar según las condiciones del suelo, la altura del césped y los tipos de céspedes que se van a cortar.

- El césped promedio se debe cortar aproximadamente a 2 1/2" (6.35 cm) durante la temporada fría y a más de 3" (7 cm) durante los meses de calor. Para que el césped crezca más sano y tenga mejor aspecto, córtelo con frecuencia y después de un crecimiento moderado.
- Para un mejor rendimiento del corte, el césped de más de 6" (15.20 cm) de altura debe cortar dos veces. Haga el primer corte relativamente alto; el segundo deberá ser a la altura deseada.

## OPERACIÓN DE LA CORTADORA DE CÉSPED

La cortadora de césped está equipada con un interruptor de detección de presencia del operador. Cualquier intento del operador de dejar el asiento con el motor en funcionamiento y el embrague de la plataforma activado apagará el motor. Usted debe permanecer colocado por completo en el centro del asiento para evitar que el motor se desorienta o se apague cuando opere el equipo sobre un terreno lleno de baches u ondulado o en colinas.

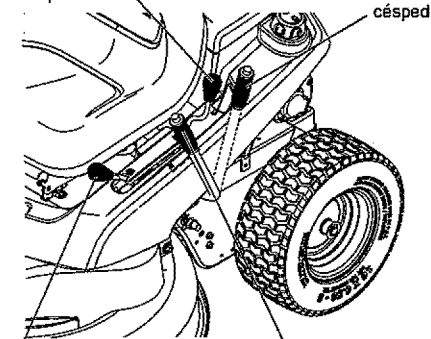
1. Seleccione la altura de corte deseada.
2. Actíve la cuchilla de la cortadora de césped al accionar la palanca del embrague de la plataforma.

## PARA DETENER LA CUCHILLA DE LA CORTADORA DE CÉSPED-

Desactive la palanca del embrague de la plataforma.

Posición de "desactivada" de la palanca del embrague de la plataforma

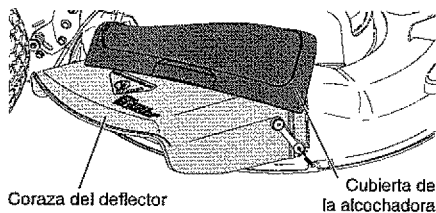
Posición alta de ajuste de altura de la cortadora de césped



Posición de "activada" de la palanca del embrague de la plataforma

Posición baja de ajuste de altura de la cortadora de césped

**PRECAUCIÓN:** No opere la cortadora de césped sin el colector de césped entero, en las cortadoras de césped equipadas con éste, o sin la coraza del deflector en su sitio.



## FUNCIONAMIENTO ATRÁS (ROS)

Su cortadora de césped está equipada con un Sistema de Operación en Reversa (SOR). Cualquier intento por parte del operador de avanzar en reversa con el embrague de la plataforma activado apagará el motor, a menos que la llave de encendido esté en la posición de "ENCENDIDO" (ON) del SOR

**⚠ ADVERTENCIA:** Ir marcha atrás con el embrague puesto para cortar, no es recomendable. Poniendo el ROS en posición "ON", para permitir el funcionamiento atrás con el embrague puesto, se tiene que hacer sólo cuando el operador lo considere necesario para reposicionar la máquina con el dispositivo embragado. **No siegue en revés a menos que sea absolutamente necesario.**

### USAR EL SISTEMA DE FUNCIONAMIENTO ATRÁS -

Utilice el cortadora de césped solamente si está seguro de que no ingresarán niños ni otras personas o animales al área donde se va a cortar el césped.

1. Mover la palanca de mando del movimiento en la posición neutro (N).
2. Con el motor en marcha, girar la llave del interruptor de la ignición en el sentido inverso al de las agujas del reloj hasta la posición "ON".
3. Mire hacia abajo y hacia atrás no sólo antes de ir marcha atrás, sino mientras esté yendo marcha atrás.
4. Mover despacio la palanca de mando del movimiento hacia la posición atrás (R) para empezar el movimiento.
5. Cuando el uso del ROS es más necesario, dé vuelta a la llave de ignición en el sentido de las agujas del reloj hasta la posición "ON".



Posición ROS "ON"

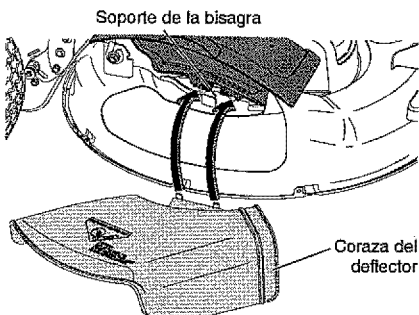


Motor en posición "ON" (Operación Normal)

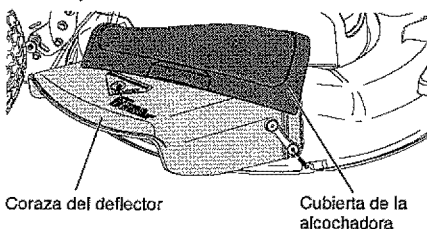
### COLOCACIÓN DEL DEFLECTOR

1. Desenganche las 2 correas elásticas de la plataforma a la cubierta de pajote.
2. Levante la cubierta de pajote.

3. Coloque el deflector en la abrazadera de bisagra.
4. Coloque la cubierta de pajote sobre el deflector.



5. Coloque la correa elástica 1 desde el deflector a la plataforma.



### OPERACIÓN EN COLINAS

**⚠ ADVERTENCIA:** No conduzca hacia arriba o hacia abajo en colinas con pendientes mayores de 15° y no conduzca de un lado a otro en ninguna pendiente. Use la guía de pendientes de la parte posterior de este manual.

- Elija la velocidad más lenta antes de comenzar a bajar o subir colinas.
- Evite detenerse o cambiar de velocidad en las colinas.
- Si es absolutamente necesario detenerse, empuje con rapidez el pedal del embrague/freno a la posición de freno y active el freno de estacionamiento.
- Mueva la palanca de control de movimiento a la posición neutral (N).
- Para reiniciar el movimiento, suelte despacio el freno de estacionamiento y el pedal del embrague/freno.
- Dé todas las vueltas despacio.

## TRANSPORTE

Al empujar o remolcar la cortadora de césped, asegúrese de desactivar la transmisión al colocar la palanca de velocidades en neutral.

- Eleve el ajuste de altura de la cortadora de césped a su posición más alta con la palanca de ajuste de altura de la cortadora de césped.
- Para volver a activar la transmisión, presione el freno y cambie la palanca de velocidades de neutral a otra posición.

## ANTES DEL ARRANQUE DEL

### MOTOR

#### REVISE EL NIVEL DE ACEITE DEL MOTOR

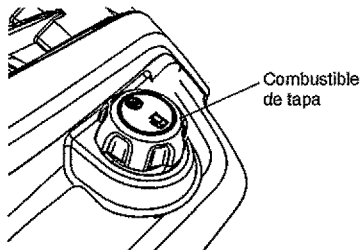
El motor de la cortadora de césped se envía desde la fábrica ya llena con aceite de peso para el verano.

1. Revise el aceite del motor con la cortadora de césped sobre un suelo nivelado.
2. Retire el tapón/la varilla de llenado de aceite y límpiela con un paño, reinserte la varilla y atornille bien el tapón, espere unos cuantos segundos, retírelo y verifique el nivel del aceite. Si es necesario, agregue aceite hasta que llegue a la marca que dice "LLENO" en la varilla. No lo llene de más.
- Para operarla en clima frío, usted debe cambiar el aceite para obtener un arranque más fácil (Consulte la tabla de viscosidad de aceite de la sección de Mantenimiento de este manual).
- Para cambiar el aceite del motor, consulte la sección de Mantenimiento en este manual.

#### CÓMO AGREGAR GASOLINA

- Llène el tanque de combustible hasta la parte inferior del cuello de relleno. No lo llene de más. Use gasolina sin plomo regular nueva y limpia con un mínimo de 87 octanos. (Usar gasolina con plomo incrementará los depósitos de carbono y óxido de plomo y reducirá la vida de la válvula). No mezcle aceite con gasolina. Compre combustible en cantidades que se puedan usar en 30 días para asegurar la frescura del combustible.

**⚠ PRECAUCIÓN:** Limpie cualquier derrame de aceite o combustible. No almacene, derrame ni use gasolina cerca de una flama abierta.



**⚠ PRECAUCIÓN:** Los combustibles mezclados con alcohol (llamados gasohol o que usan etanol o metanol) pueden atraer la humedad, lo que provoca la separación y formación de ácidos durante el almacenamiento. El gas ácido puede dañar el sistema de combustible de un motor mientras se encuentra en almacenamiento. Para evitar problemas con el motor, el sistema de combustible se debe vaciar antes del almacenamiento durante 30 días o más. Drene el tanque de gasolina, arranque el motor y hágalo funcionar hasta que las líneas de combustible y el carburador estén vacíos. Use combustible nuevo en la próxima temporada. Consulte las instrucciones de Almacenamiento para obtener información adicional. Nunca use productos limpiadores para motor o carburador en el tanque de combustible porque puede ocurrir un daño permanente.

#### PARA HACER ARRANCAR EL MOTOR

Al hacer arrancar el motor por la primera vez o si se ha acabado el combustible del motor, se necesitará tiempo para el arranque extra para mover el combustible desde el estanque hasta el motor.

- Siéntase en el sillón en la posición de operación, suelte el pedal del freno y ponga el freno de estacionamiento.
- Ponga la palanca de control de movimiento en la posición de neutro.
- Mueva el embrague del accesorio a la posición "DESENGANCHADO".
- Mueva la palanca de control de la aceleración a la posición de estrangulación.

**AVISO:** Antes de arrancar, lea las instrucciones siguientes para el arranque en clima frío y templado.

- Inserte la llave en la ignición y gire la llave en el sentido que giran las manillas del reloj a la posición de arranque start, y suelte la llave tan pronto como arranque el motor. No haga funcionar el arrancador continuamente por más de quince segundos por minuto. Si el motor no arranca después de varios intentos, mueva el control de la aceleración a la posición de rápido, espere unos cuantos minutos y trate de nuevo. Si el motor sigue sin funcionar, mueva el control de la aceleración a la posición de estrangulación y intente de nuevo.

#### ARRANQUE CON TIEMPO TEMPLADO (50° F/10°C Y MÁS)

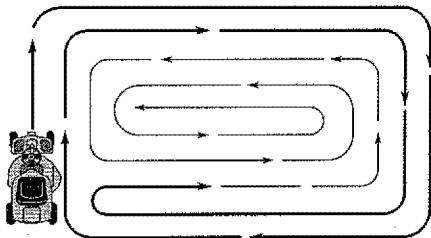
- Cuando arranque el motor, mueva el control de la aceleración a la posición de rápido.
- Ahora puede usar el mecanismo de desplazamiento. Si el motor no acepta la carga, vuelva a encender el motor y permítale que se caliente durante un minuto usando el ahogador conforme se describe arriba.

## ARRANQUE CON TIEMPO FRÍO (50° F/10°C Y MENOS)

- Al hacer arrancar el motor, mantenga el control de la aceleración a la posición de estrangulación hasta que el motor se caliente y empiece funcionar mal. Una vez que empiece a funcionar mal, mueva inmediatamente el control de la aceleración a la posición rápida. El calentamiento del motor puede tomar a partir de varios segundos a varios minutos (cuanto más fría es la temperatura, más largo es el calentamiento).

## CONSEJOS PARA CORTAR EL CÉSPED

- La cortadora de césped debe estar bien nivelada para que su desempeño sea el mejor. Consulte la parte de "NIVELACIÓN DE LA CARCASA DE LA CORTADORA DE CÉSPED" en la sección de Servicio y Ajustes de este manual.
- El lado izquierdo de la cortadora de césped se debe usar para podar.
- Conduzca de manera que los recortes de descarguen sobre el área que ya se ha cortado. El área de corte debe estar del lado derecho de la cortadora de césped. Esto creará una distribución más uniforme de los recortes y un corte más uniforme.



- Cuando corte áreas grandes, comience girando hacia la derecha, de modo que los recortes se descarguen lejos de los arbustos, bardas, caminos, etc. Después de una o dos vueltas, corte en la dirección opuesta, dando vueltas hacia la izquierda hasta que termine.
- Si el césped está demasiado alto, se deberá cortar dos veces para reducir la carga y la posibilidad de un peligro de incendio por los recortes secos. Haga el primer corte relativamente alto; el segundo deberá ser a la altura deseada.
- No corte el césped cuando esté húmedo. El césped húmedo taponará la cortadora de césped y dejará matas indeseables. Permita que el césped se seque antes de podarlo.
- Regule la velocidad terrestre al seleccionar un avance lo suficientemente lento para ajustar el desempeño de corte de la cortadora de césped así como la calidad del corte deseada.
- Cuando utilice accesorios, seleccione una velocidad terrestre que se adapte al terreno y obtenga el mejor desempeño del accesorio que esté usando.

# MANTENIMIENTO

| PROGRAMA DE MANTENIMIENTO                       |   | ANTES DE CADA USO | CADA 5 HORAS | CADA 25 HORAS    | CADA 50 HORAS  | CADA 100 HORAS | CADA TEMPORADA | ALMACENAMIENTO |
|---|---|-------------------|--------------|------------------|----------------|----------------|----------------|----------------|
| CORTADORA DE CÉSPED                             | Revisar la operación del freno                        | ✓                 | ✓            |                  |                |                |                |                |
|   | Revisar la presión de las llantas                     | ✓                 | ✓            |                  |                |                |                |                |
|   | Revisar la presencia del operador y el sistema ROS    | ✓                 |              |                  |                |                |                |                |
|   | Revisar que los broches no estén sueltos              | ✓                 |              |                  |                | ✓              |                | ✓              |
|   | Revisar/cambiar la cuchilla de la cortadora de césped |                   |              | ✓ <sub>3</sub>   |                |                |                |                |
|   | Limpia la batería y las terminales                    |                   |              | ✓                |                |                |                | ✓              |
|   | Ajuste el embrague                                    |                   |              | ✓                | ✓              | ✓              |                |                |
|   | Lubricar los ejes y husos                             |                   |              | ✓                |                |                |                |                |
|   | Limpie las superficies de fricción                    |                   |              | ✓ <sub>4</sub>   |                |                |                | ✓              |
|   | Revisar la nivelación de la cortadora de césped       |                   |              |                  | ✓              |                |                |                |
| Revisar la cinta en V                           |   |                   |              |                  | ✓              |                |                |                |
| MOTOR   | Revisar el nivel del aceite del motor                 | ✓                 | ✓            |                  |                |                |                |                |
|   | Revisar el aceite del motor                           |                   |              | ✓ <sub>1,2</sub> |                |                |                | ✓              |
|   | Limpia el filtro de aire                              |                   |              | ✓ <sub>2</sub>   |                |                |                |                |
|   | Limpia la pantalla de aire                            |                   |              | ✓ <sub>2</sub>   |                |                |                |                |
|   | Inspeccionar el silenciador/parachispas               |                   |              |                  | ✓              |                |                |                |
|   | Limpia las aletas de enfriamiento del motor           |                   |              |                  |                | ✓ <sub>2</sub> |                |                |
|   | Cambiar la bujía                                      |                   |              |                  |                | ✓              | ✓              |                |
| Cambiar el cartucho de papel del filtro de aire |   |                   |              |                  | ✓ <sub>2</sub> |                |                |                |

1 - Cambiar más a menudo cuando se opera bajo carga pesada o en ambientes con altas temperaturas.  
2 - Dar servicio más a menudo cuando se opera en condiciones sucias o polvorosas.

3 - Cambiar las cuchillas más a menudo cuando se siega en suelo arenoso.  
4 - Limpie las superficies con isopropil o limpiador sin pelucos.

## RECOMENDACIONES GENERALES

La garantía para esta cortadora de césped no ampara los artículos que se han sometido al abuso o la negligencia del operador. Para recibir el valor completo de la garantía, el operador debe darle mantenimiento a la cortadora de césped conforme se indica en este manual.

Será necesario hacer algunos ajustes en forma periódica para mantener de manera correcta la cortadora de césped.

Al menos una vez cada temporada, revise si usted debe hacer algún ajuste conforme se describe en la sección de Servicio y Ajustes de este manual.

- Al menos una vez al año usted deberá cambiar la bujía, limpiar o cambiar el filtro de aire y revisar si la cuchilla y la cinta están desgastadas. Una nueva bujía y un nuevo filtro de aire aseguran la mezcla adecuada de aire y combustible, lo que ayuda a que el motor funcione mejor y dure más tiempo.

## ANTES DE CADA USO

1. Revise el nivel del aceite del motor.
2. Revise la operación del freno.
3. Revise la presión de las llantas.
4. Revise que los sistemas de presencia del operador y de ROS funcionen bien.
5. Revise que los broches no estén sueltos.

**IMPORTANTE:** No aceite ni engrase los puntos de los pivotes que tienen cojinetes de nailon especiales. Los lubricantes viscosos atraerán el polvo y la suciedad, lo que reducirá la vida de los cojinetes autolubrificantes. Si siente que se deben lubricar, use sólo un lubricante tipo grafito en polvo moderadamente.

## CORTADORA DE CÉSPED

Siga siempre las reglas de seguridad cuando realice cualquier mantenimiento.

## OPERACIÓN DEL FRENO

Si la cortadora de césped requiere más de cuatro (4) pies (1.219 metros) para detenerse a la velocidad máxima sobre una superficie de concreto o pavimento seco nivelado, entonces se debe dar servicio al freno en el centro de servicio autorizado más cercano.

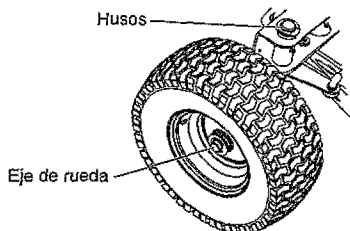
## LLANTAS

- Mantenga la presión de las llantas a 12 PSI.
- Mantenga las llantas libres de gasolina, aceite o químicos para el control de insectos, pues pueden dañar el caucho.
- Evite los paños, las piedras, los surcos profundos, objetos filosos y otros peligros que pueden causar daño en las llantas.

**NOTA:** Para sellar las pinchaduras de las llantas y prevenir las llantas desinfladas debido a fugas lentas, puede comprar sellador de llantas con el distribuidor de partes local. El sellador de llantas también previene la podredura en seco y la corrosión de las llantas.

## EJE Y HUSOS

- Los ejes de las ruedas frontales y los husos frontales se deben lubricar bien.
- Los ejes de las ruedas se deben lubricar con un lubricante tipo grafito en polvo seco.



## SISTEMA PRESENCIA OPERADOR Y SISTEMA FUNCIONAMIENTO ATRÁS (ROS)

Asegurarse de que el sistema de presencia del operador, el sistema de trabajo y el sistema funcionamiento atrás funcionen bien. Si tu cortadora de césped no funciona como descrito, reparar el problema inmediatamente.

- El motor no arrancará si el pedal de embrague/freno está completamente presionado y el mando del embrague del accesorio está desconectado.

## VÉRIFIÉZ SISTEMA PRESENCIA OPERADOR

- Cuando el motor está en marcha, cualquier tentativa del operador de abandonar el asiento primero, apagará el motor.
- Cuando el motor está en marcha y el embrague del accesorio está conectado, cualquier tentativa del operador de abandonar el asiento, apagará el motor.

- Nunca opere la palanca del embrague de la plataforma a menos que esté sentado en el asiento.

## VÉRIFIÉZ SISTEMA FUNCIONAMIENTO ATRÁS (ROS)

- Cuando el motor está en marcha con el interruptor de llave en posición de motor "ON" y el embrague del accesorio conectado, cualquier tentativa del operador de viajar marcha atrás, apagará el motor.
- Cuando el motor está en marcha con el interruptor de llave del sistema de funcionamiento atrás (ROS) en la posición "ON" y el embrague del accesorio conectado, cualquier tentativa del operador de viajar marcha atrás, NO apagará el motor.



Posición ROS "ON"



Motor en posición "ON" (Operación Normal)

## CUIDADO DE LA CUCHILLA

Para obtener los mejores resultados, la cuchilla de la cortadora de césped debe estar afilada. Cambie la cuchilla si está desgastada, doblada o dañada.

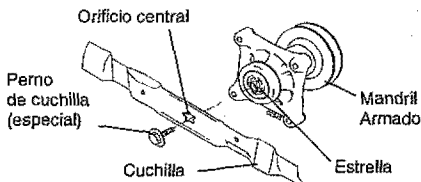
**⚠ PRECAUCIÓN:** Use sólo una cuchilla de reemplazo aprobada por el fabricante de la cortadora de césped. Usar una cuchilla no aprobada por el fabricante de la cortadora de césped es peligroso, pues podría dañar la cortadora de césped y anular la garantía.

## RETIRO DE LA CUCHILLA

1. Eleve la cortadora de césped a la posición más alta para tener acceso a la cuchilla.

**NOTA:** Protégase las manos con guantes y/o envuelva la cuchilla con un paño grueso.

2. Retire el perno de la cuchilla girándolo hacia la izquierda.
3. Instale la nueva cuchilla con el diseño que dice "ESTE LADO HACIA ARRIBA" hacia la plataforma y el ensamblaje del mandríl.



**IMPORTANTE:** Para asegurar un ensamblaje correcto, el orificio central de la cuchilla se debe alinear con la estrella del ensamblaje del mandríl.

4. Instale y ajuste bien el perno de la cuchilla (45 - 55 pies/ Libras).

**IMPORTANTE:** El perno de la cuchilla especial está tratado con calor.



## BATERÍA

La cortadora de césped tiene un sistema de carga de la batería que es suficiente para el uso normal.

- Mantenga la batería y los conectores limpios.
- Sólo recargue la batería con un cargador aprobado para una batería de 2.8 amperes hora de 12V.
- Cargarla con cualquier otro cargador o con un cargador tipo automatiz puede causar un daño permanente en la batería.
- Cargue la batería durante 24 horas para que se cargue por completo.

**NOTA:** La batería de equipo original de la cortadora de césped no necesita mantenimiento. No intente abrir ni retirar los tapones o las cubiertas. Agregar o revisar el nivel del electrolito no es necesario.

**⚠ ADVERTENCIA:** No fuerce el arranque de la batería. Puede ocurrir un daño permanente en la batería o una lesión personal.

## ENFRIAMIENTO DEL TRANSEJE

Mantenga el transeje libre de cualquier acumulación de suciedad y paja, lo que puede restringir el enfriamiento.

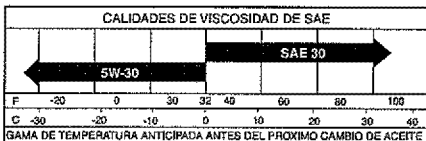
## CINTA EN V

Revise la cinta en V para ver si está deteriorada o desgastada después de 100 horas de operación y cámbiela si es necesario. La cinta no es ajustable. Cambie la cinta si comienza a deslizarse por el desgaste.

## MOTOR

### LUBRICACIÓN

Use sólo un aceite detergente de alta calidad calificado con la clasificación SG-SL de servicio de API. Seleccione el grado de viscosidad SAE del aceite de acuerdo con la temperatura de operación esperada.



**NOTA:** Aunque los aceites de viscosidad múltiple 5W30, 10W30, etc.) mejoran el arranque en climas fríos, los aceites provocarán un incremento en el consumo de aceite cuando se usan por encima de los 32°F (0°C). Revise el nivel de aceite del motor con más frecuencia para evitar cualquier posible daño en el motor debido a un nivel bajo de aceite.

Cambie el aceite después de cada 25 horas de operación o al menos una vez al año si no se va a usar la cortadora de césped durante 25 horas en un año.

Revise el nivel de aceite del cárter antes de arrancar el motor y después de cada ocho (8) horas de operación. Apriete bien el tapón/la varilla de llenado del aceite cada vez que revise el nivel del aceite.

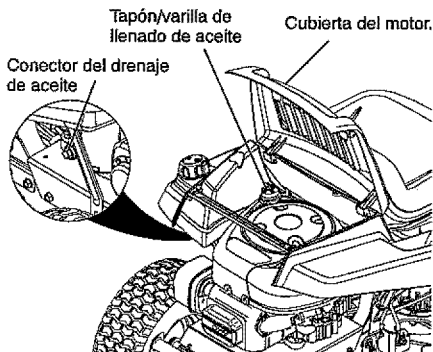
## CAMBIO DE ACEITE DEL MOTOR

Determine el rango de temperatura esperado antes de cambiar el aceite. Todo el aceite debe cumplir con la clasificación SG-SL de servicio de API.

- Asegúrese de que la cortadora de césped esté sobre una superficie nivelada.
- El aceite se drenará con más libertad cuando esté tibio.
- Recolecte el aceite en un recipiente adecuado.

**⚠ PRECAUCIÓN:** Si el motor se ha operado durante un tiempo prolongado inmediatamente antes de drenar el aceite, éste estará caliente.

1. Levante la cubierta del motor.
2. Retire el tapón/la varilla de llenado del aceite. Tenga cuidado de no permitir que entre suciedad en el motor cuando cambie el aceite.
3. Coloque el recipiente para recolectar el aceite.
4. Retire el tapón de drenado y drene el aceite hacia el recipiente.
5. Después de que el aceite se haya drenado por completo, vuelva a colocar el tapón de drenado y apriételo bien.
6. Rellene el motor con aceite a través del tubo de la varilla de llenado de aceite. Viértalo despacio. No lo llene de más. Para conocer la capacidad aproximada, consulte la sección de "ESPECIFICACIONES DEL PRODUCTO" de este manual.
7. Use un calibrador en el tapón/varilla de llenado de aceite para verificar el nivel. Para tener una lectura exacta, apriete bien el tapón de la varilla sobre el tubo antes de retirar la varilla. Mantenga el aceite en la línea que dice "LENO" en la varilla. Apriete bien el tapón en el tubo cuando termine.
8. Baje la cubierta del motor.



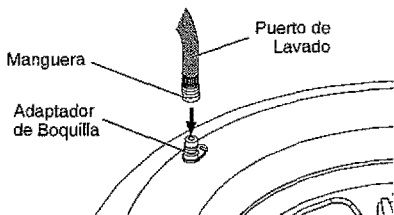
## PUERTO DE LAVADO DE LA CUBIERTA

La cubierta de su tractor está equipada con un puerto de lavado sobre la superficie que forma parte del sistema de lavado de la cubierta. Se debería utilizar cada vez que se haya usado el tractor.

1. Lleve el tractor a un lugar horizontal y despejado de su césped, lo bastante cerca de una boca de riego como para que llegue la manguera del jardín.

**IMPORTANTE:** Asegúrese de que la boca de descarga del tractor está orientada LEJOS de su casa, garaje, coches aparcados, etc. Quite la boca de ensacado o cubierta de mantillo si está acoplada.

2. Mueva el control del embrague del accesorio a la posición "DESENGANCHADO", ponga el freno de estacionamiento y apague el motor.
3. Enrosque el adaptador de la boquilla (empaquetado con el manual del operador del tractor) en el extremo de la manguera del jardín.
4. Eche hacia atrás la abrazadera de cierre del adaptador de la boquilla y empuje éste en el puerto de lavado de la cubierta en el extremo izquierdo de la cubierta de la segadora. Suelte la abrazadera de cierre para fijar el adaptador en la boquilla.



**IMPORTANTE:** Tire de la manguera para asegurarse de que la conexión está bien fija.

5. Abra la llave del agua.
6. Desde la posición del operador del tractor, vuelva a arrancar el motor y ponga la palanca de aceleración en la posición "Fast" (rápido).

**IMPORTANTE:** Vuelva a comprobar la zona para asegurarse de que está despejada.

7. Mueva el control del embrague del accesorio a la posición "ENGANCHAR". Manténgase en la posición del operador con la cubierta de corte acoplada hasta que la cubierta esté limpia.
8. Mueva el control del embrague del accesorio a la posición "DESENGANCHADO". Gire la llave de encendido a la posición STOP para apagar el motor del tractor. Cierre la llave del agua.
9. Tire hacia atrás la abrazadera de cierre del adaptador de la boquilla para desconectar el adaptador del puerto de lavado de la cubierta.
10. Lleve el tractor a una zona seca, preferentemente de cemento o pavimentada. Mueva el control del embrague del accesorio a la posición "ENGANCHAR" para quitar el exceso de agua y ayudar a que se seque antes de guardar el tractor.

**⚠️ ADVERTENCIA:** Si el accesorio de lavado está roto o no está, Ud. y otras personas estarán expuestos a que la hoja les lance aquellos objetos con los que entre en contacto.

- Sustituya inmediatamente el accesorio de lavado roto o que falta antes de volver a usar la segadora.
- Tape todos los orificios de la segadora con pernos y tuercas de seguridad.

## FILTRO DEL AIRE

Su motor puede sufrir averías y funcionar de manera incorrecta con un filtro del aire sucio. Déle servicio al filtro de aire más a menudo si se usa en condiciones polvorosas. Vea la manual de la motor.

## LIMPIE LA PANTALLA DE AIRE

La pantalla de aire se debe mantener libre de suciedad y paja para evitar que el motor se dañe por sobrecalentamiento. Limpie con un cepillo de alambre o con aire comprimido para retirar la suciedad y las fibras de goma secas difíciles de quitar.

## LIMPIE LAS ÁREAS DE ENTRADA DE AIRE/ENFRIAMIENTO

Para asegurar un enfriamiento adecuado, cerciórese de que la pantalla de césped, las aletas de enfriamiento y otras superficies externas del motor se mantengan limpias en todo momento.

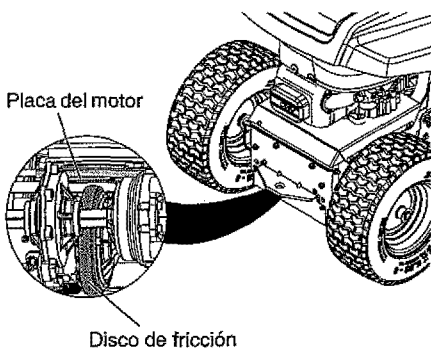
Cada 100 horas de operación (con más frecuencia bajo condiciones de polvo y suciedad extremas), retire la carcasa del soplador y otras cubiertas de enfriamiento. Limpie las aletas de enfriamiento y las superficies externas conforme sea necesario. Asegúrese de reinstalar de nuevo las cubiertas de enfriamiento.

**NOTA:** La operación del motor con la pantalla de césped bloqueada, las aletas de enfriamiento sucias o taponadas y/o las cubiertas de enfriamiento sin colocar causará daño por sobrecalentamiento.

## LIMPIEZA DE SUPERFICIES DE FRICCIÓN

Para asegurar un desempeño de manejo apropiado, mantenga las superficies de fricción libres de suciedad, residuos y exceso de goma en todo momento.

Cada 25 horas de operación, es necesario limpiar las superficies de fricción frotándolas con alcohol isopropilo u otro limpiador sin película.



## SILENCIADOR

Inspeccione y cambie el silenciador y el parachispas si tienen corrosión (si la unidad está equipada con éstos) porque se podría generar un peligro de incendio y/o daños.

## BUJÍA(S)

Cambie la(s) bujía(s) al principio de cada temporada o después de cada 100 horas de operación, lo que ocurra primero. El tipo de bujía y la configuración del espacio se muestran en la sección "ESPECIFICACIONES DEL PRODUCTO" de este manual.

## LIMPIEZA

- Limpie cualquier materia extraña del motor, la batería, el asiento, el acabado, etc.
- Mantenga las superficies con acabado y las llantas libres de cualquier residuo de gasolina, aceite, etc.
- Proteja las superficies pintadas con cera tipo automotriz.

No se recomienda usar una manguera para jardín ni una lavadora a presión para limpiar la cortadora de césped, a menos que el motor y la transmisión estén cubiertos para protegerlos del agua. Si entra agua en el motor o la transmisión se reducirá la vida útil de la cortadora de césped. Use aire comprimido o un soplador de hojas para retirar el césped, las hojas y la basura de la cortadora de césped.

## SERVICIO Y AJUSTES



**ADVERTENCIA: PARA EVITAR UNA LESIÓN SERIA, ANTES DE HACER CUALQUIER SERVICIO O AJUSTE:**

1. Suelte por completo el pedal de embrague/freno y accione el freno de estacionamiento.
2. Coloque la palanca de control de movimiento en la posición neutral (N).
3. Coloque el embrague de la plataforma en la posición "DESACTIVADO".
4. Gire la llave de arranque a la posición "PARADA" y saque la llave.
5. Asegúrese de que la cuchilla y todas las partes móviles se hayan detenido por completo.
6. Desconecte el cable de la bujía de ésta última y coloque el cable donde no pueda entrar en contacto con la bujía.

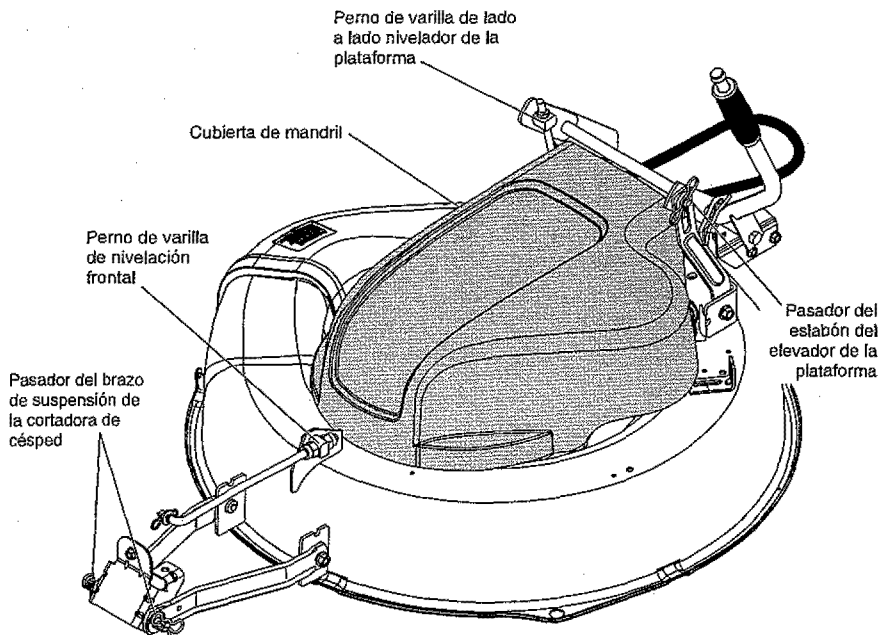
### CORTADORA DE CÉSPED

#### RETIRO DE LA CORTADORA DE CÉSPED

1. Coloque el embrague de la plataforma en la posición "DESACTIVADO".
2. Mueva la palanca del elevador de ajuste de altura de la cortadora de césped hacia adelante para bajar la cortadora de césped a su posición más baja.
3. Retire la cubierta del mandril.
4. Retire los pasadores que sostienen en su lugar los brazos de suspensión frontales izquierdo y derecho de la cortadora de césped.
5. Retire el perno que sostiene en su lugar la varilla de nivelación del frente a la parte posterior de la plataforma.
6. Retire el pasador que sostiene en su lugar el brazo del eslabón del elevador de la plataforma.
7. Retire el perno que sostiene en su lugar la varilla de nivelación de lado a lado de la plataforma.
8. Retire la cinta del rededor de las poleas.
9. Deslice la plataforma hacia afuera desde el lado inferior de la cortadora de césped.

#### INSTALACIÓN DE LA CORTADORA DE CÉSPED

Instale en reversa de acuerdo con las instrucciones de la sección "RETIRO DE LA CORTADORA DE CÉSPED".



## NIVELACIÓN DE LA CARCASA DE LA CORTADORA DE CÉSPED

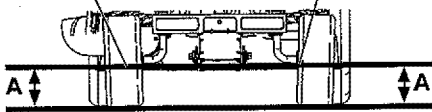
Ajuste la cortadora de césped mientras esté estacionada en el suelo o en un camino nivelado. Asegúrese de que las llantas estén bien infladas (Observe la parte lateral de la llanta para verificar que la PSI sea correcta). Si las llantas están infladas de más o de menos, usted no podrá ajustar bien la cortadora de césped.

### AJUSTE DE LADO A LADO

- Eleve la cortadora de césped a su posición más alta.
- Mida la distancia "A" desde la orilla inferior de la cortadora de césped al nivel del suelo en las esquinas frontales de la cortadora de césped.

Orilla inferior de la cortadora de césped en relación con el suelo

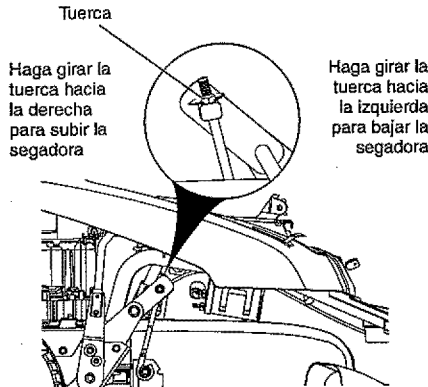
Orilla inferior de la cortadora de césped en relación con el suelo



- Para elevar el lado derecho de la cortadora de césped, apriete la tuerca de ajuste del eslabón del elevador.
- Para bajar el lado derecho de la cortadora de césped, afloje la tuerca de ajuste del eslabón del elevador.

**NOTA:** Cada vuelta completa de la tuerca de ajuste cambiará la altura de la cortadora de césped aproximadamente 3/16".

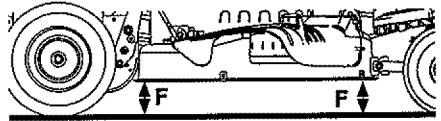
- Vuelva a revisar las medidas después del ajuste.



**AJUSTE DEL FRENTE A LA PARTE POSTERIOR**  
**IMPORTANTE:** La plataforma debe estar nivelada de lado a lado.

Para obtener los mejores resultados de corte, la carcasa de la cortadora de césped se debe ajustar de modo que el frente esté aproximadamente de 1/8" a 1/2" más abajo que la parte posterior cuando la cortadora de césped esté en su posición más alta.

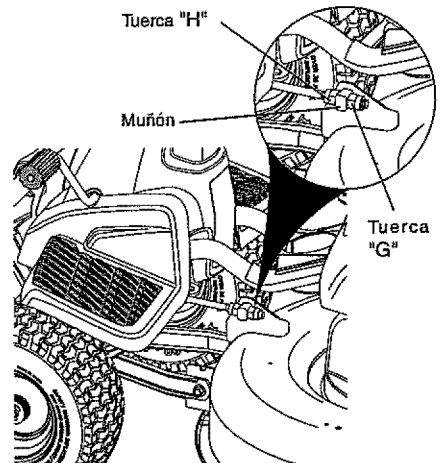
Revise el ajuste del lado derecho de la cortadora de césped. Mida la distancia "F" directamente en frente y detrás del mandril en la orilla inferior de la carcasa de la cortadora de césped conforme se muestra.



- Para bajar el frente de la carcasa de la cortadora de césped gire las tuercas "G" y "H" hacia la derecha.
- Cuando la distancia "F" esté de 1/8" a 1/2" más abajo en el frente que en la parte posterior, apriete la tuerca "H" contra el muñón en el eslabón frontal.
- Para elevar el frente de la carcasa de la cortadora de césped gire las tuercas "G" y "H" hacia la izquierda.
- Cuando la distancia "F" esté de 1/8" a 1/2" más abajo en el frente que en la parte posterior, apriete la tuerca "H" contra el muñón en el eslabón frontal.

**NOTA:** Cada vuelta completa de "G" cambiará "F" aproximadamente 3/8".

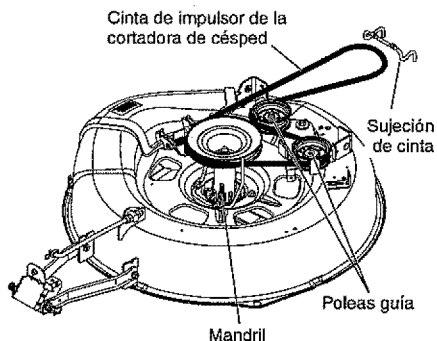
- Vuelva a revisar el ajuste de lado a lado.



## CAMBIO DE CINTA DEL IMPULSOR DE LA CUCHILLA DE LA CORTADORA DE CÉSPED

### RETIRO DE CINTA DEL IMPULSOR DE LA CORTADORA DE CÉSPED

1. Estacione la cortadora de césped sobre una superficie nivelada.
2. Accione el freno de estacionamiento.
3. Baje la cortadora de césped a su posición más baja.
4. Retire la cubierta del mandril desde la plataforma de la cortadora de césped.
5. Retire la placa del motor posterior de la unidad.
6. Retire la sujeción de la cinta posterior de la unidad.
7. Enrolle con cuidado la cinta sobre la parte superior del mandril de la cuchilla de la cortadora de césped.



8. Retire la cinta de las poleas guía.
9. Revise las poleas guía para ver que giren con libertad.
10. Retire la cinta de la polea del impulsor posterior.

### INSTALACIÓN DE CINTA DEL IMPULSOR DE LA CORTADORA DE CÉSPED

Instale en reversa de acuerdo con las instrucciones de la sección "RETIRO DE LA CINTA DEL IMPULSOR DE LA CORTADORA DE CÉSPED".

### VERIFICACIÓN DEL FRENO

Si la cortadora de césped requiere más de cuatro (4) pies (1,219 metros) para detenerse a la velocidad máxima sobre una superficie de concreto o pavimento seco nivelado, entonces se debe dar servicio al freno.

También se puede verificar el freno mediante las siguientes acciones:

1. Estacione la cortadora de césped sobre una superficie de concreto o pavimento seco nivelado, presione el pedal del embrague/freno por completo y aplique el freno de estacionamiento.
2. Coloque la palanca de control de movimiento en la posición neutral.

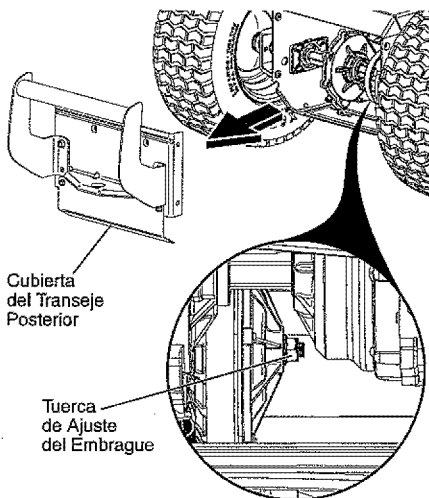
Las ruedas traseras deben bloquearse y patinar cuando se intente empujar manualmente la cortadora de césped hacia adelante. Si las ruedas traseras giran, se debe dar mantenimiento al freno. Comuníquese con un centro de servicios Sears u otro centro de servicios autorizado.

### AJUSTE DEL EMBRAGUE

Para asegurar el desempeño de conducción apropiado, será necesario realizar el ajuste periódico del embrague. Este ajuste sólo es necesario cuando hay una reducción o pérdida de la conducción. Consulte la sección de mantenimiento de este manual para conocer los intervalos recomendados.

1. Estacione la cortadora de césped en una superficie nivelada.
2. Active el freno de estacionamiento.
3. Retire la cubierta del transeje posterior.
4. Con una llave de 9/16, apriete la tuerca de ajuste del embrague 1/8 de vuelta.

**PRECAUCIÓN:** No apriete de más la tuerca de ajuste del embrague. Sólo dé tantas vueltas de 1/8 como sea necesario.



5. Pruebe la cortadora de césped donde se utilizará para cortar césped.
6. Si es necesario realizar un ajuste adicional, regrese al paso 4.
7. Después de completar el ajuste, vuelva a colocar la cubierta del transeje posterior.

Si el procedimiento de ajuste del embrague no resulta eficaz, lleve su cortadora de césped a su centro de servicio SEARS o a otro calificado para que la reparen y/o ajusten.

## AJUSTE DE LA ALINEACIÓN DEL VOLANTE

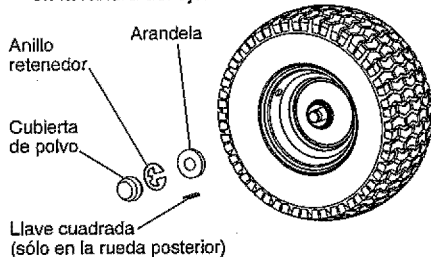
Si los travesaños del volante no están en posición horizontal (de izquierda a derecha) cuando las ruedas estén en posición recta hacia adelante, retire el volante y reensámblelo de acuerdo con las instrucciones de la sección "INSTALACIÓN DE LA COLUMNA DE DIRECCIÓN" de este manual.

## CAMBIO DE RUEDA PARA REPARACIÓN RUEDA FRONTAL

1. Bloquee bien el eje frontal.
2. Retire la cubierta para polvo, el anillo de retención y la arandela para poder retirar la rueda.
3. Repare la llanta y vuelva a ensamblarla.
4. Vuelva a colocar bien la arandela y el anillo de retención en la ranura del eje.

## RUEDA POSTERIOR

1. Bloquee bien el eje posterior.
2. Retire la cubierta para polvo, el anillo de retención, la arandela y la llave cuadrada mientras jala la llanta hacia afuera.
3. Repare la llanta y vuelva a ensamblarla.
4. Vuelva a colocar la llave cuadrada mientras coloca de nuevo la llanta y después vuelva a colocar bien la arandela y el anillo de retención en la ranura del eje.



**NOTA:** Para sellar las pinchaduras de las llantas y evitar que éstas se desinflen debido a las fugas lentas, compre y use sellador para llantas. El sellador de llantas también previene la podredura en seco y la corrosión de las llantas.

## ARRANQUE DEL MOTOR CON UNA BATERÍA DESCARGADA

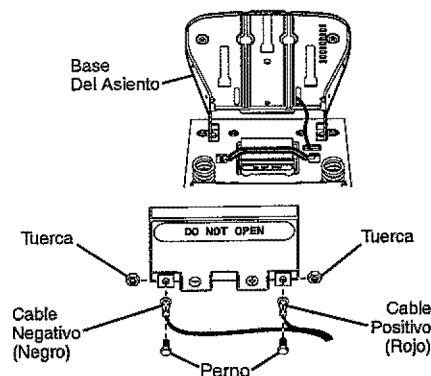
**PRECAUCIÓN:** Las baterías de plomo ácido generan gases explosivos. Mantenga los materiales que producen chispas, flamas y humo lejos de las baterías. Use siempre una protección para los ojos cuando esté cerca de las baterías. Si su batería está demasiado baja como para arrancar el motos, ésta se debe recargar. (Consulte la parte de "BATERÍA" en la sección de Mantenimiento de este manual).

Esta unidad está equipada con un sistema de arranque manual del motor que se puede usar si la batería está demasiado descargada como para arrancarlo. Consulte la parte de "SISTEMA DE ARRANQUE MANUAL" en la sección de Operación de este manual.

## CAMBIO DE LA BATERÍA

**ADVERTENCIA:** No produzca un corto en las terminales de la batería al permitir que una llave inglesa o cualquier otro objeto entre en contacto con ambas terminales al mismo tiempo. Antes de conectar la batería, retírese cualquier brazaete de metal, pulsera de reloj, anillos, etc. La terminal positiva se debe conectar primero para evitar que se produzcan chispas por hacer tierra en forma accidental.

1. Levante el asiento para tener acceso al perno.
2. Desconecte el cable NEGRO de la batería y luego el cable ROJO de la batería.
3. Desconecte el cable NEGRO de la batería, después el cable ROJO de la batería, la correa de la batería y retire con cuidado la batería de la cortadora de césped.
4. Retire el perno de la abrazadera de la batería.
5. Instale la nueva batería con las terminales hacia la derecha y lejos del asiento conforme se muestra.
6. Renístale la abrazadera y el perno de la batería.
7. Conecte primero el cable ROJO de la batería en la terminal positiva (+) de la batería.
8. Conecte el cable de la tierra NEGRO en la terminal negativa (-) de la batería.



## DISPOSITIVOS DE SEGURIDAD Y RELÉS

El cableado suelto o dañado puede causar que la cortadora de césped funcione mal, deje de avanzar o no arranque.

- Revise el cableado. Asegúrese de que todo el cableado y los conectores estén bien colocados.

## MOTOR

La velocidad del motor se ha configurado en la fábrica. No intente incrementar la velocidad del motor porque puede sufrir una lesión personal. Si usted cree que el motor está funcionando demasiado rápido o demasiado lento, lléve su cortadora de césped a un centro de servicios Sears u otro centro de servicios autorizado para su reparación y/o ajuste.

# ALMACENAMIENTO

Prepare de inmediato su cortadora de césped para almacenarla al final de la temporada o si no lo va a utilizar durante 30 días o más.

**⚠️ ADVERTENCIA:** Nunca almacene la cortadora de césped con gasolina en el tanque adentro de un edificio donde los humos puedan alcanzar una flama abierta o una chispa. Permita que el motor se enfríe antes de almacenarla en cualquier lugar cerrado.

## CORTADORA DE CÉSPED

Retire la plataforma de la cortadora de césped para su almacenamiento durante el invierno. Cuando vaya a almacenar la cortadora de césped durante un tiempo, límpiela a conciencia, retire toda la suciedad, grasa, hojas, etc. Almacénela en un área limpia y seca.

1. Limpie toda la cortadora de césped (consulte la parte de "LIMPIEZA" en la sección de Mantenimiento de este manual).
2. Inspeccione y cambie la cinta, si es necesario (consulte la parte de instrucciones de cambio en la sección de Servicio y Ajustes de este manual).
3. Lubrique conforme se indica en la sección de Mantenimiento de este manual.
4. Asegúrese de que todas las tuercas, pernos y tornillos estén bien apretados. Inspeccione las partes móviles en busca de algún daño, rotura y desgaste. Cámbielas si es necesario.
5. Retoque todas las superficies de pintura oxidadas o despostilladas. Lije un poco antes de pintar.

## BATERÍA

- Cargue por completo la batería antes de almacenar.
- Si la batería se retira de la cortadora de césped para almacenarla, no almacene la batería directamente sobre superficies de concreto o húmedas.

## MOTOR

### SISTEMA DE COMBUSTIBLE

**IMPORTANTE:** Es importante evitar que se formen depósitos de goma en las partes esenciales del sistema de combustible como el carburador, la manguera de combustible o el tanque durante el almacenamiento. Asimismo, los combustibles mezclados con alcohol (llamados gasohol o que usan etanol o metanol) pueden atraer la humedad, lo que provoca la separación y formación de ácidos durante el almacenamiento. El gas ácido puede dañar el sistema de combustible de un motor mientras se encuentra en almacenamiento.

- Vacíe el tanque de combustible al arrancar el motor y dejarlo funcionar hasta que las líneas de combustible y el carburador estén vacíos.

- Nunca use productos limpiadores para motor o carburador en el tanque de combustible porque puede ocurrir un daño permanente.
- Use combustible nuevo en la próxima temporada.

**NOTA:** El estabilizador de combustible es una alternativa aceptable para minimizar la formación de depósitos de goma de combustible durante el almacenamiento. Agregue estabilizador a la gasolina en el tanque de combustible o recipiente de almacenamiento. Siga siempre la proporción de mezcla que se encuentra en el recipiente del estabilizador. Deje funcionar el motor al menos durante 10 minutos después de agregar el estabilizador para permitir que el estabilizador llegue al carburador. No vacíe el tanque de gasolina y el carburador si utiliza estabilizador de combustible.

## ACEITE DEL MOTOR

Drene el aceite (con el motor tibio) y cámbielo por aceite de motor limpio. (Consulte la parte de "MOTOR" en la sección de Mantenimiento de este manual).

## CILINDRO(S)

1. Retire la(s) bujía(s).
2. Vierta una onza de aceite por el(los) orificio(s) de la(s) bujía(s) hacia el(los) cilindro(s).
3. Gire la llave del arranque a la posición de "ARRANQUE" durante unos cuantos segundos para distribuir el aceite.
4. Coloque la(s) bujía(s) nueva(s).

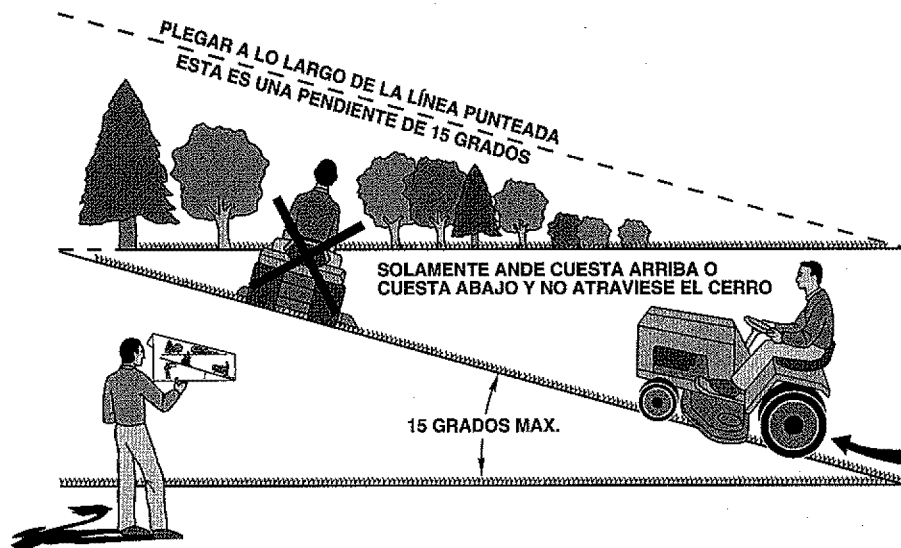
## OTROS

- No almacene la gasolina de una estación a otra.
- Cambie la lata de la gasolina si comienza a oxidarse. El óxido y/o la suciedad en la gasolina causará problemas.
- Si es posible, almacene la cortadora de césped en interiores y cúbrala para protegerla del polvo y la suciedad.
- Cubra la cortadora de césped con una cubierta protectora adecuada que no retenga la humedad. No use plástico. El plástico no puede respirar, lo que permite que se forme condensación y causará que la cortadora de césped se oxide.

**IMPORTANTE:** Nunca cubra la cortadora de césped mientras el motor y las áreas de escape todavía estén calientes.



## GUÍA SUGERIDA PARA MEDIR LAS PENDIENTES CON LA VISTA PARA UNA OPERACIÓN SEGURA



**ADVERTENCIA:** Para evitar daños graves, haga funcionar su tractor arriba y abajo de las pendientes, nunca transversalmente con respecto a las pendientes. No cortar pendientes mayores de 15 grados. Haga los virajes gradualmente para evitar volcarse o la pérdida de control. Tenga mucho cuidado cuando cambie de dirección en las pendientes.

1. Plegar esta página a lo largo de la línea punteada arriba indicada.
2. Tener la página ante de sí mismos de modo que su borde izquierdo sea vertical paralelo al tronco del árbol u otra estructura vertical.
3. Mirar a través del pliegue en dirección de la pendiente que se quiere medir.
4. Comparar el ángulo del pliegue con la pendiente del terreno.

## IDENTIFICACIÓN DE PROBLEMAS:

Vea la sección apropiada en el manual a menos que esté dirigido a un centro de servicio Sears.

| PROBLEMA                                 | CAUSA   | CORRECCIÓN  |
|--|---|---|
| <b>No arranca</b>                        | 1 No tiene combustible.   | 1 Llene el tanque de combustible.   |
|  | 2 Bujía defectuosa.   | 2 Cambie la bujía.  |
|  | 3 Filtro de aire sucio.   | 3 Limpie/cambie el filtro de aire.  |
|  | 4 Agua en el combustible.   | 4 Vacíe el tanque de combustible y el carburador, rellene el tanque con gasolina nueva y cambie el filtro de combustible. |
|  | 5 Cableado suelto o dañado.   | 5 Revise todo el cableado.  |
|  | 6 Las válvulas del motor están desajustadas.                              | 6 Contacte a un centro de servicios Sears u otro centro de servicios autorizado.  |
| <b>Dificultad para arrancar</b>          | 1 Filtro de aire sucio.   | 1 Limpie/cambie el filtro de aire.  |
|  | 2 Bujía defectuosa.   | 2 Cambie la bujía.  |
|  | 3 Batería baja o muerta.  | 3 Recargue o cambie la batería.   |
|  | 4 Combustible viejo o sucio.  | 4 Vacíe el tanque de combustible y rellénelo con gasolina nueva y limpia.   |
|  | 5 Cableado suelto o dañado.   | 5 Revise todo el cableado.  |
|  | 6 Las válvulas del motor están desajustadas.                              | 6 Contacte a un centro de servicios Sears u otro centro de servicios autorizado.  |
| <b>El motor no da vueltas</b>            | 1 El freno del embrague/freno no está presionado.                         | 1 Presione el pedal del embrague/freno.   |
|  | 2 El embrague de la plataforma está activado.                             | 2 Desactive el embrague de la plataforma.   |
|  | 3 Batería baja o muerta.  | 3 Recargue o cambie la batería.   |
|  | 4 Fusible fundido.  | 4 Cambie el fusible.  |
|  | 5 Terminales de batería con corrosión.                                    | 5 Limpie las terminales de la batería.  |
|  | 6 Cableado suelto o dañado.   | 6 Revise todo el cableado.  |
|  | 7 Interruptor de arranque defectuoso.                                     | 7 Revise/cambie el interruptor de arranque.   |
|  | 8 Solenoide o arranque defectuoso.  | 8 Revise/cambie el solenoide o arranque.  |
|  | 9 Interruptor(es) de presencia de operador defectuoso(s).                 | 9 Contacte a un centro de servicios Sears u otro centro de servicios autorizado.  |
| <b>El motor chasquea pero no arranca</b> | 1 Batería baja o muerta.  | 1 Recargue o cambie la batería.   |
|  | 2 Terminales de batería con corrosión.                                    | 2 Limpie las terminales de la batería.  |
|  | 3 Cableado suelto o dañado.   | 3 Revise todo el cableado.  |
|  | 4 Solenoide o arranque defectuoso.  | 4 Revise/cambie el solenoide o arranque.  |
| <b>Pérdida de energía</b>                | 1 Corte de demasiado césped/demasiado rápido.                             | 1 Eleve la altura de corte/reduzca la velocidad.  |
|  | 2 Acumulación de césped, hojas y basura debajo de la cortadora de césped. | 2 Limpie la parte inferior de la carcasa de la cortadora de césped.   |
|  | 3 Filtro de aire sucio.   | 3 Limpie/cambie el filtro de aire.  |
|  | 4 Nivel bajo de aceite/aceite sucio.                                      | 4 Revise el nivel de aceite/cambie el aceite.   |
|  | 5 Bujía defectuosa.   | 5 Limpie y ajuste o cambie la bujía.  |
|  | 6 Combustible viejo o sucio.  | 6 Vacíe el tanque de combustible y rellénelo con gasolina nueva y limpia.   |
|  | 7 Agua en el combustible.   | 7 Vacíe el tanque de combustible y el carburador y rellene el tanque con gasolina nueva.                                  |
|  | 8 Cable de la bujía suelto.   | 8 Conecte y ajuste el cable de la bujía.  |
|  | 9 Pantalla/aletas de aire del motor sucias.                               | 9 Limpie la pantalla/aletas de aire del motor.  |
|  | 10 Silenciador sucio/obstruido.   | 10 Limpie/cambie el silenciador.  |
|  | 11 Cableado suelto o dañado.  | 11 Revise todo el cableado.   |
|  | 12 Las válvulas del motor están desajustadas.                             | 12 Contacte a un centro de servicios Sears u otro centro de servicios autorizado.   |
| <b>Vibración excesiva</b>                | 1 Cuchilla desgastada, doblada o suelta.                                  | 1 Cambie la cuchilla. Apriete el perno de la cuchilla.  |
|  | 2 Mandril de cuchilla doblado.  | 2 Contacte a un centro de servicios Sears u otro centro de servicios autorizado.  |
|  | 3 Parte(s) suelta(s)/dañada(s).   | 3 Apriete la(s) parte(s) suelta(s)/dañada(s). Cambie las partes dañadas.  |

## IDENTIFICACIÓN DE PROBLEMAS:

Vea la sección apropiada en el manual a menos que esté dirigido a un centro de servicio Sears.

| PROBLEMA  | CAUSA  | CORRECCIÓN  |
|---|--|---|
| El motor sigue funcionando cuando el operador deja el asiento con embrague activado | 1 Sistema de control de presencia de seguridad del operador defectuoso.  | 1 Revise el cableado, los interruptores y las conexiones. Si no son correctos, contacte a un centro de servicios Sears u otro centro de servicios autorizado.   |
| Corte deficiente - corte no uniforme  | 1 Cuchilla desgastada, doblada o suelta.<br>2 Plataforma de cortadora de césped no nivelada.<br>3 Acumulación de césped, hojas y basura debajo de la cortadora de césped.<br>4 Mandríl de cuchilla doblado.<br>5 Respiradero de la cortadora de césped obstruido por la acumulación de césped, hojas y basura alrededor del mandríl.   | 1 Cambie la cuchilla. Apriete el perno de la cuchilla.<br>2 Nivele la plataforma de la cortadora de césped.<br>3 Limpie la parte inferior de la carcasa de la cortadora de césped.<br>4 Contacte a un centro de servicios Sears u otro centro de servicios autorizado.<br>5 Limpie alrededor de los mandriles para abrir los orificios del respiradero.   |
| La cuchilla de la cortadora de césped no gira                                       | 1 Obstrucción en el mecanismo del embrague.<br>2 Cinta del impulsor de la cortadora de césped desgastada/dañada.<br>3 Polea de guía congelada.<br>4 Mandríl de cuchilla congelado.   | 1 Retire la obstrucción.<br>2 Cambie la cinta del impulsor de la cortadora de césped.<br>3 Cambie la polea de guía.<br>4 Contacte a un centro de servicios Sears u otro centro de servicios autorizado.   |
| Descarga de césped deficiente   | 1 Velocidad de avance demasiado rápida.<br>2 Césped húmedo.<br>3 Plataforma de cortadora de césped no nivelada.<br>4 Presión de aire de las llantas baja/no uniforme.<br>5 Cuchilla desgastada, doblada o suelta.<br>6 Acumulación de césped, hojas y basura debajo de la cortadora de césped.<br>7 Cinta de impulsor de la cortadora de césped desgastada.<br>8 Cuchilla mal instalada.<br>9 Uso inapropiado de cuchilla.<br>10 Orificios del respiradero de la cortadora de césped obstruidos por la acumulación de césped, hojas y basura alrededor de los mandriles. | 1 Cambie a una velocidad más lenta.<br>2 Permita que el césped se seque antes de podarlo.<br>3 Nivele la plataforma de la cortadora de césped.<br>4 Revise que la PSI de las llantas sea adecuada.<br>5 Cambie/afile la cuchilla. Apriete el perno de la cuchilla.<br>6 Limpie la parte inferior de la carcasa de la cortadora de césped.<br>7 Cambie la cinta del impulsor de la cortadora de césped.<br>8 Reinstale la orilla filosa de la cuchilla hacia abajo.<br>9 Cambie por una cuchilla de la lista de este manual.<br>10 Limpie alrededor de los mandriles para abrir los orificios del respiradero. |
| La batería no carga   | 1 Celda(s) de batería defectuosa(s).<br>2 Conexiones de cable defectuosas.<br>3 Alternador defectuoso.   | 1 Cambie la batería.<br>2 Revise/limpie todas las conexiones.<br>3 Cambie el alternador.  |
| Pérdida de impulso  | 1 Falta la llave del eje.<br>2 Embrague fuera de ajuste.   | 1 Instale la llave del eje en la rueda posterior. Consulte la parte de "CÓMO RETIRAR LA RUEDA" en la sección de Servicio y Ajustes.<br>2 Ajuste el embrague. Consulte "AJUSTE DEL EMBRAGUE" en la sección de Servicio y Ajustes.  |
| El motor se muere cuando la cortadora de césped se cambia a la posición de reversa. | 1 El sistema de funcionamiento atrás (ROS) no está "ON", cuando enganche la segadora o otro accesorio.<br>2 El motor está frío.  | 1 Girar el ROS en la posición "ON". Vea la sección de operación.<br>2 Permita que el motor se caliente dejándolo funcionar de varios segundos a varios minutos.   |

## NEED MORE HELP?

You'll find the answer and more on [managemyhome.com](http://managemyhome.com) – for free!

- Find this and all your other product manuals online.
- Get answers from our team of home experts.
- Get a personalized maintenance plan for your home.
- Find information and tools to help with home projects.

manage  home

brought to you by Sears

## Get it fixed, at your home or ours!

### Your Home

For repair – in your home – of all major brand appliances, lawn and garden equipment, or heating and cooling systems, no matter who made it, no matter who sold it!

For the replacement parts, accessories and owner's manuals that you need to do-it-yourself.

For Sears professional installation of home appliances and items like garage door openers and water heaters.

**1-800-4-MY-HOME®** Anytime, day or night  
(1-800-469-4663) (U.S.A. and Canada)  
[www.sears.com](http://www.sears.com) [www.sears.ca](http://www.sears.ca)

### Our Home

For repair of carry-in products like vacuums, lawn equipment, and electronics, call or go on-line for the nearest **Sears Parts and Repair Center.**

**1-800-488-1222** Anytime, day or night (U.S.A. only)  
[www.sears.com](http://www.sears.com)

To purchase a protection agreement (U.S.A.) or maintenance agreement (Canada) on a product serviced by Sears:

**1-800-827-6655** (U.S.A.) **1-800-361-6665** (Canada)

Para pedir servicio de reparación a domicilio, y para ordenar piezas:

**1-888-SU-HOGAR®**  
(1-888-784-6427)

Au Canada pour service en français:

**1-800-LE-FOYER<sup>MC</sup>**  
(1-800-533-6937)  
[www.sears.ca](http://www.sears.ca)

# Sears

© Sears Brands, LLC

® Registered Trademark / ™ Trademark / <sup>SM</sup> Service Mark of Sears Brands, LLC

® Marca Registrada / ™ Marca de Fábrica / <sup>SM</sup> Marca de Servicio de Sears Brands, LLC

<sup>MC</sup> Marque de commerce / <sup>MD</sup> Marque déposée de Sears Brands, LLC