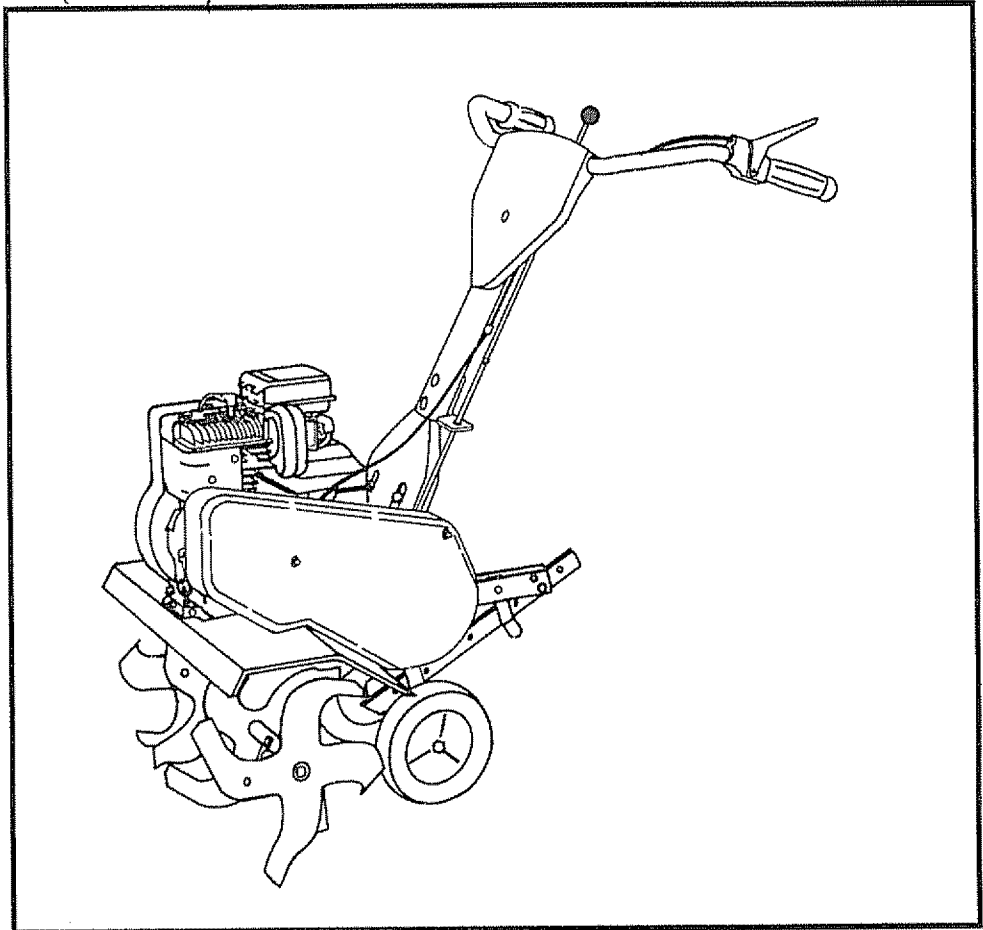


5-55-07-207

SEARS
OWNER'S
MANUAL

MODEL NO.
917.296351

Caution:
Read and follow
all Safety Rules
and Instructions
Before Operating
This Equipment



CRAFTSMAN®

5.0 HP
26 INCH TINE WIDTH
FRONT TINE TILLER
WITH REVERSE

- Assembly
- Operation
- Customer Responsibilities
- Service and Adjustments
- Repair Parts



SAFETY RULES



Safe Operation Practices for Walk-Behind Powered Rotary Tillers

TRAINING

- Read the Owner's Manual carefully. Be thoroughly familiar with the controls and the proper use of the equipment. Know how to stop the unit and disengage the controls quickly.
- Never allow children to operate the equipment. Never allow adults to operate the equipment without proper instruction.
- Keep the area of operation clear of all persons, particularly small children, and pets.

PREPARATION

- Thoroughly inspect the area where the equipment is to be used and remove all foreign objects.
- Disengage all clutches and shift into neutral before starting the engine (motor).
- Do not operate the equipment without wearing adequate outer garments. Wear footwear that will improve footing on slippery surfaces.
- Handle fuel with care; it is highly flammable.
 - Use an approved fuel container.
 - Never add fuel to a running engine or hot engine.
 - Fill fuel tank outdoors with extreme care. Never fill fuel tank indoors.
 - Replace gasoline cap securely and clean up spilled fuel before restarting.
- Use extension cords and receptacles as specified by the manufacturer for all units with electric drive motors or electric starting motors.
- Never attempt to make any adjustments while the engine (motor) is running (except where specifically recommended by manufacturer).

OPERATION

- Do not put hands or feet near or under rotating parts.
- Exercise extreme caution when operating on or crossing gravel drives, walks, or roads. Stay alert for hidden hazards or traffic. Do not carry passengers.
- After striking a foreign object, stop the engine (motor), remove the wire from the spark plug, thoroughly inspect the tiller for any damage, and repair the damage before restarting and operating the tiller.
- Exercise caution to avoid slipping or falling.

- If the unit should start to vibrate abnormally, stop the engine (motor) and check immediately for the cause. Vibration is generally a warning of trouble.
- Stop the engine (motor) when leaving the operating position.
- Take all possible precautions when leaving the machine unattended. Disengage the tines, shift into neutral, and stop the engine.
- Before cleaning, repairing, or inspecting, shut off the engine and make certain all moving parts have stopped. Disconnect the spark plug wire, and keep the wire away from the plug to prevent accidental starting. Disconnect the cord on electric motors.
- Do not run the engine indoors; exhaust fumes are dangerous.
- Never operate the tiller without proper guards, plates, or other safety protective devices in place.
- Keep children and pets away.
- Do not overload the machine capacity by attempting to till too deep at too fast a rate.
- Never operate the machine at high speeds on slippery surfaces. Look behind and use care when backing.
- Never allow bystanders near the unit.
- Use only attachments and accessories approved by the manufacturer of the tiller (such as wheel weights, counterweights, cabs, and the like).
- Never operate the tiller without good visibility or light.
- Be careful when tilling in hard ground. The tines may catch in the ground and propel the tiller forward. If this occurs, let go of the handlebars and do not restrain the machine.

MAINTENANCE AND STORAGE

- Keep machine, attachments, and accessories in safe working condition.
- Check shear pins, engine mounting bolts, and other bolts at frequent intervals for proper tightness to be sure the equipment is in safe working condition.
- Never store the machine with fuel in the fuel tank inside a building where ignition sources are present, such as hot water and space heaters, clothes dryers, and the like. Allow the engine to cool before storing in any enclosure.
- Always refer to the operator's guide instructions for important details if the tiller is to be stored for an extended period.

- IMPORTANT -

CAUTIONS, IMPORTANTS, AND NOTES ARE A MEANS OF ATTRACTING ATTENTION TO IMPORTANT OR CRITICAL INFORMATION IN THIS MANUAL.



CAUTION: Look for this symbol to point out important safety precautions. It means —Attention! Become Alert! Your safety is involved.

IMPORTANT: USED TO ALERT YOU THAT THERE IS A POSSIBILITY OF DAMAGING THIS EQUIPMENT.

NOTE: Gives essential information that will aid you to better understand, incorporate, or execute a particular set of instructions.

CONGRATULATIONS on your purchase of a Sears Tiller. It has been designed, engineered and manufactured to give you the best possible dependability and performance.

Should you experience any problems you cannot easily remedy, please contact your nearest authorized Sears Service Center/Department. We have competent, well-trained technicians and the proper tools to service or repair this unit.

Please read and retain this manual. The instructions will enable you to assemble and maintain your tiller properly. Always observe the "SAFETY RULES".

MODEL
NUMBER 917.296351

SERIAL
NUMBER _____

DATE OF
PURCHASE _____

THE MODEL AND SERIAL NUMBERS WILL BE FOUND ON THE MODEL PLATE ATTACHED TO THE RIGHT HAND ENGINE BRACKET.

YOU SHOULD RECORD BOTH SERIAL NUMBER AND DATE OF PURCHASE AND KEEP IN A SAFE PLACE FOR FUTURE REFERENCE.

PRODUCT SPECIFICATIONS

HORSEPOWER:	5.0 HP
DISPLACEMENT:	12.57 cu. in.
GASOLINE CAPACITY:	3 Quarts Unleaded Regular
OIL (API-SG): (CAPACITY: 20 oz.)	SAE 30 (Above 32°F) SAE 5W-30 (Below 32°F)
SPARK PLUG : (GAP: .030")	Champion RJ19LM (STD361458)

MAINTENANCE AGREEMENT

A Sears Maintenance Agreement is available on this product. Contact your nearest Sears store for details.

CUSTOMER RESPONSIBILITIES

- Read and observe the safety rules.
- Follow a regular schedule in maintaining, caring for and using your tiller.
- Follow the instructions under the "Customer Responsibilities" and "Storage" sections of this Owner's Manual.

IMPORTANT: THIS UNIT IS EQUIPPED WITH AN INTERNAL COMBUSTION ENGINE AND SHOULD NOT BE USED ON OR NEAR ANY UNIMPROVED FOREST-COVERED, BRUSH-COVERED OR GRASS COVERED LAND UNLESS THE ENGINE'S EXHAUST SYSTEM IS EQUIPPED WITH A SPARK ARRESTER MEETING APPLICABLE LOCAL OR STATE LAWS (IF ANY). IF A SPARK ARRESTER IS USED, IT SHOULD BE MAINTAINED IN EFFECTIVE WORKING ORDER BY THE OPERATOR.

IN THE STATE OF CALIFORNIA THE ABOVE IS REQUIRED BY LAW (SECTION 4442 OF THE CALIFORNIA PUBLIC RESOURCES CODE). OTHER STATES MAY HAVE SIMILAR LAWS. FEDERAL LAWS APPLY ON FEDERAL LANDS. SEE YOUR SEARS AUTHORIZED SERVICE CENTER FOR SPARK ARRESTER. REFER TO THE REPAIR PARTS SECTION OF THIS MANUAL FOR PART NUMBER.

LIMITED TWO YEAR WARRANTY ON CRAFTSMAN TILLER

For two (2) years from date of purchase, when this Craftsman Tiller is maintained, lubricated, and tuned up according to the operating and maintenance instructions in the owner's manual, Sears will repair free of charge any defect in material or workmanship.

This Warranty does not cover:

- Expendable items which become worn during normal use, such as tines, spark plugs, air cleaners and belts.
- Repairs necessary because of operator abuse or negligence, including bent crankshafts and the failure to maintain the equipment according to the instructions contained in the owner's manual.
- If this Craftsman Tiller is used for commercial or rental purposes, this Warranty applies for only thirty (30) days from the date of purchase.

WARRANTY SERVICE IS AVAILABLE BY RETURNING THE CRAFTSMAN TILLER TO THE NEAREST SEARS SERVICE CENTER/DEPARTMENT IN THE UNITED STATES. THIS WARRANTY APPLIES ONLY WHILE THIS PRODUCT IS IN USE IN THE UNITED STATES.

This Warranty gives you specific legal rights, and you may also have other rights which vary from state to state.

SEARS, ROEBUCK AND CO., D/817WA, HOFFMAN ESTATES, IL 60179

TABLE OF CONTENTS

SAFETY RULES	2	MAINTENANCE SCHEDULE	12
CUSTOMER RESPONSIBILITIES	3, 12-14	SERVICE & ADJUSTMENTS	14-17
PRODUCT SPECIFICATIONS	3	STORAGE	18
WARRANTY	3	TROUBLESHOOTING	19
ACCESSORIES	5	REPAIR PARTS-TILLER	20-25
ASSEMBLY	6-7	REPAIR PARTS-ENGINE	26-30
OPERATION	8-11	SERVICE/PARTS ORDERING	Back Cover

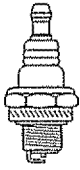
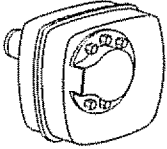

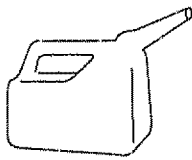

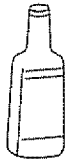
INDEX

<p style="text-align: center;">A</p> <p>Accessories 5</p> <p>Adjustments:</p> <p style="padding-left: 20px;">Carburetor 17</p> <p style="padding-left: 20px;">Depth Stake 9</p> <p style="padding-left: 20px;">Handle Height 14</p> <p style="padding-left: 20px;">Tines 14-15</p> <p style="padding-left: 20px;">V-Belt 16</p> <p style="padding-left: 20px;">Wheels 9</p> <p>Air Cleaner 13</p>	<p style="text-align: center;">B</p> <p>Belt, V-:</p> <p style="padding-left: 20px;">Belt Guard 17</p> <p style="padding-left: 20px;">Repair Parts 21</p> <p style="padding-left: 20px;">V-Belt Replacement 16</p>	<p style="text-align: center;">C</p> <p>Cooling System 13</p> <p>Controls:</p> <p style="padding-left: 20px;">Choke 8</p> <p style="padding-left: 20px;">Throttle 8</p> <p style="padding-left: 20px;">Tines 8</p> <p>Cultivating 11</p> <p>Customer Responsibilities:</p> <p style="padding-left: 20px;">Air Cleaner 13</p> <p style="padding-left: 20px;">Cooling System 13</p> <p style="padding-left: 20px;">Finish 14</p> <p style="padding-left: 20px;">Maintenance Schedule 12</p> <p style="padding-left: 20px;">Muffler 14</p> <p style="padding-left: 20px;">Oil Change 13</p> <p style="padding-left: 20px;">Spark Plug 14</p> <p style="padding-left: 20px;">Transmission 14</p>
<p style="text-align: center;">D</p> <p>Depth Stake:</p> <p style="padding-left: 20px;">Adjustment 9</p> <p style="padding-left: 20px;">Repair Parts 22</p>	<p style="text-align: center;">E</p> <p>Engine:</p> <p style="padding-left: 20px;">Air Cleaner 13</p> <p style="padding-left: 20px;">Cooling System 13</p> <p style="padding-left: 20px;">Fuel Type 10</p> <p style="padding-left: 20px;">Lubrication 13</p> <p style="padding-left: 20px;">Oil Level 10</p>	<p style="text-align: center;">F</p> <p>Fuel:</p> <p style="padding-left: 20px;">Filling Tank 10</p> <p style="padding-left: 20px;">Storage 18</p> <p style="padding-left: 20px;">Type 10</p> <p>Finish:</p> <p style="padding-left: 20px;">Maintenance 14</p>
<p style="text-align: center;">A</p> <p>Oil Type 10,13</p> <p>Repair Parts 26-30</p> <p>Spark Plug 14</p> <p>Starting 10</p> <p>Stopping 9</p> <p>Storage 18</p> <p>Winter Operation 13</p>	<p style="text-align: center;">H</p> <p>Handle:</p> <p style="padding-left: 20px;">Height Adjustment 14</p> <p style="padding-left: 20px;">Repair Parts 20</p>	<p style="text-align: center;">L</p> <p>Lubrication:</p> <p style="padding-left: 20px;">Lubrication Chart 12</p> <p style="padding-left: 20px;">Engine 13</p>
<p style="text-align: center;">M</p> <p>Muffler:</p> <p style="padding-left: 20px;">Maintenance 14</p> <p style="padding-left: 20px;">Spark Arrester 3</p>	<p style="text-align: center;">O</p> <p>Oil:</p> <p style="padding-left: 20px;">Level 10</p> <p style="padding-left: 20px;">Type 10,13</p> <p>Operation:</p> <p style="padding-left: 20px;">Cultivating 11</p> <p style="padding-left: 20px;">Fill Fuel Tank 10</p> <p style="padding-left: 20px;">Starting Engine 10</p> <p style="padding-left: 20px;">Stopping Tines & Engine 9</p> <p style="padding-left: 20px;">Tilling 9</p> <p style="padding-left: 20px;">Tilling Hints 11</p> <p style="padding-left: 20px;">Tine Operation 9</p> <p style="padding-left: 20px;">Transporting Tiller 10</p> <p style="padding-left: 20px;">Winter Operation 13</p>	<p style="text-align: center;">R</p> <p>Repair Parts</p> <p style="padding-left: 20px;">Tiller 20-24</p> <p style="padding-left: 20px;">Engine 26-30</p> <p>Rules for Safe Operation 2</p>
<p style="text-align: center;">S</p> <p>Service & Adjustments:</p> <p style="padding-left: 20px;">Carburetor 17</p> <p style="padding-left: 20px;">Handle Height 14</p> <p style="padding-left: 20px;">Tines 14-15</p> <p style="padding-left: 20px;">V-Belt 16</p> <p style="padding-left: 20px;">Wheels 9</p> <p>Service:</p> <p style="padding-left: 20px;">Repair Parts 20-30</p> <p style="padding-left: 20px;">Service Record 12</p> <p>Spark Plug:</p> <p style="padding-left: 20px;">Gap 3</p> <p style="padding-left: 20px;">Maintenance 14</p> <p>Storage:</p> <p style="padding-left: 20px;">Fuel System 18</p> <p style="padding-left: 20px;">Tiller 18</p>	<p style="text-align: center;">T</p> <p>Tilling 9,11</p> <p>Tines:</p> <p style="padding-left: 20px;">Arrangement 14-15</p> <p style="padding-left: 20px;">Operation 9</p> <p style="padding-left: 20px;">Repair Parts 23</p> <p style="padding-left: 20px;">Replacement 15</p> <p>Transmission:</p> <p style="padding-left: 20px;">Maintenance 14</p> <p style="padding-left: 20px;">Repair Parts 24</p> <p>Troubleshooting 19</p> <p>Transporting 10</p>	<p style="text-align: center;">W</p> <p>Warranty 3</p> <p>Wheels:</p> <p style="padding-left: 20px;">Adjustments 9</p> <p style="padding-left: 20px;">Repair Parts 22</p>

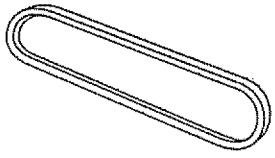



ACCESSORIES

These accessories were available when the tiller was purchased. They are also available at most Sears Retail outlets, Catalog and Service Centers. Most Sears Stores can order repair parts for you when you provide the model number of your tiller.

ENGINE

SPARK PLUG	MUFFLER	AIR FILTER	GAS CAN	ENGINE OIL	STABILIZER
					

TILLER MAINTENANCE

BELT	TINES	CLEVIS PIN	HAIRPIN CLIP
			

ASSEMBLY

Your new tiller has been assembled at the factory with exception of those parts left unassembled for shipping purposes. To ensure safe and proper operation of your tiller all parts and hardware you assemble must be tightened securely. Use the correct tools as necessary to insure proper tightness.

TOOLS REQUIRED FOR ASSEMBLY

A socket wrench set will make assembly easier. Standard wrench sizes are listed.

- (1) Utility knife
- (1) Screwdriver
- (1) Pair of pliers
- (2) 1/2" wrenches

OPERATOR'S POSITION (See Fig. 1)

When right or left hand is mentioned in this manual, it means when you are in the operating position (standing behind tiller handles).

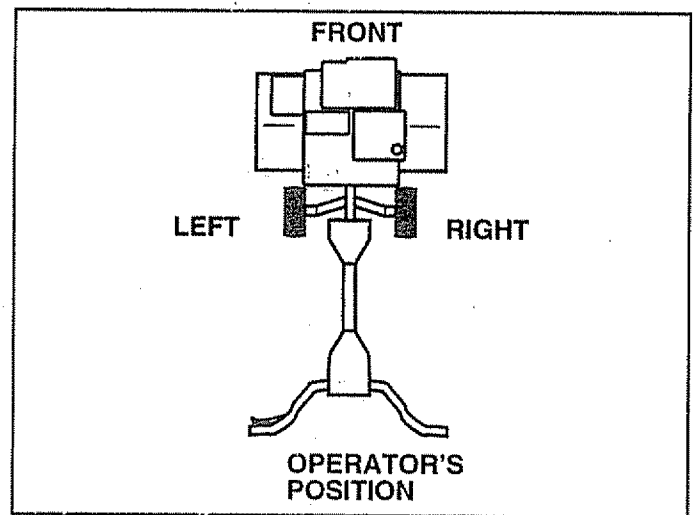


FIG. 1

CONTENTS OF HARDWARE PACK



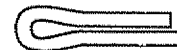
(1) Owner's Manual



(1) Plastic Cable Clip



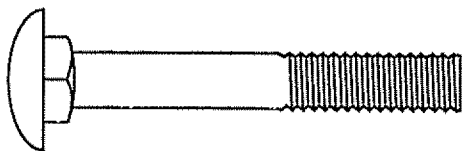
(1) Clevis Pin



(1) Cotter Pin



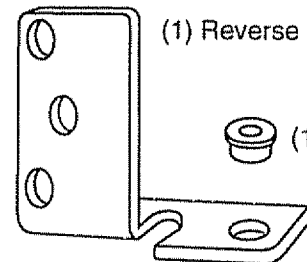
(1) Washer
9/32 x 1/2 x 14 Gauge



(2) Carriage Bolts 5/16-18 UNC x 2-1/2



(2) Flange Locknuts
5/16-18 UNC



(1) Reverse Rod Bracket

(1) Bushing



(2) Hex Bolts 5/16-18 x 1-1/4



(2) Hex Nuts 5/16-18



(2) Lock Washers 5/16

ASSEMBLY

UNPACK CARTON



CAUTION: Be careful of exposed staples when handling or disposing of cartoning material.

IMPORTANT: WHEN UNPACKING AND ASSEMBLING TILLER, BE CAREFUL NOT TO STRETCH OR KINK CABLE(S).

- Cut cable ties securing handle column.
- Slowly lift handle column and lay it over tiller.
- Remove packing from carton. Hardware pack is found in folded cardboard packing.
- Slide handle column onto handle mount.

ASSEMBLE HANDLE (See Fig. 2)

- Slide reverse rod through hole in reverse rod bracket as shown.
- Slide bushing over lower reverse rod and snap into bracket hole.
- Attach reverse rod bracket to handle column using two (2) carriage bolts and two (2) flange locknuts.

NOTE: Make sure tine control cable is routed in front of reverse rod bracket.

- Insert plastic cable clip into hole in handle column.
- Route tine control cable through plastic cable clip on handle column.
- Remove packing material from handle assembly.
- Cut away carton.
- Cut cable ties securing tiller to skid. Remove tiller from skid by pulling backwards.

ASSEMBLE REVERSE ROD (See Fig. 2)

- Secure upper reverse rod to lower reverse rod using clevis pin, washer and cotter pin.

INSTALL DEPTH STAKE ASSEMBLY (See Fig. 3)

- Insert stake support between engine bracket halves with stake spring down.

NOTE: It may be necessary to loosen nut "A".

- Bolt stake support to engine brackets with bolts, lock washers and nuts. Tighten securely. Also tighten nut "A" if it was necessary to loosen.
- Depth stake must move freely. If it does not, loosen support bolt.

HANDLE HEIGHT

- Handle height may be adjusted to better suit operator. (See "HANDLE HEIGHT" in the Service and Adjustments section of this manual).

TILLING WIDTH

- Tilling width may be adjusted to better handle your tilling conditions (See "TINE ARRANGEMENT" in the Service and Adjustments section of this manual).

TINE OPERATION

- Check tine operation before first use. (See "TINE OPERATION CHECK" in the Service and Adjustments section of this manual)

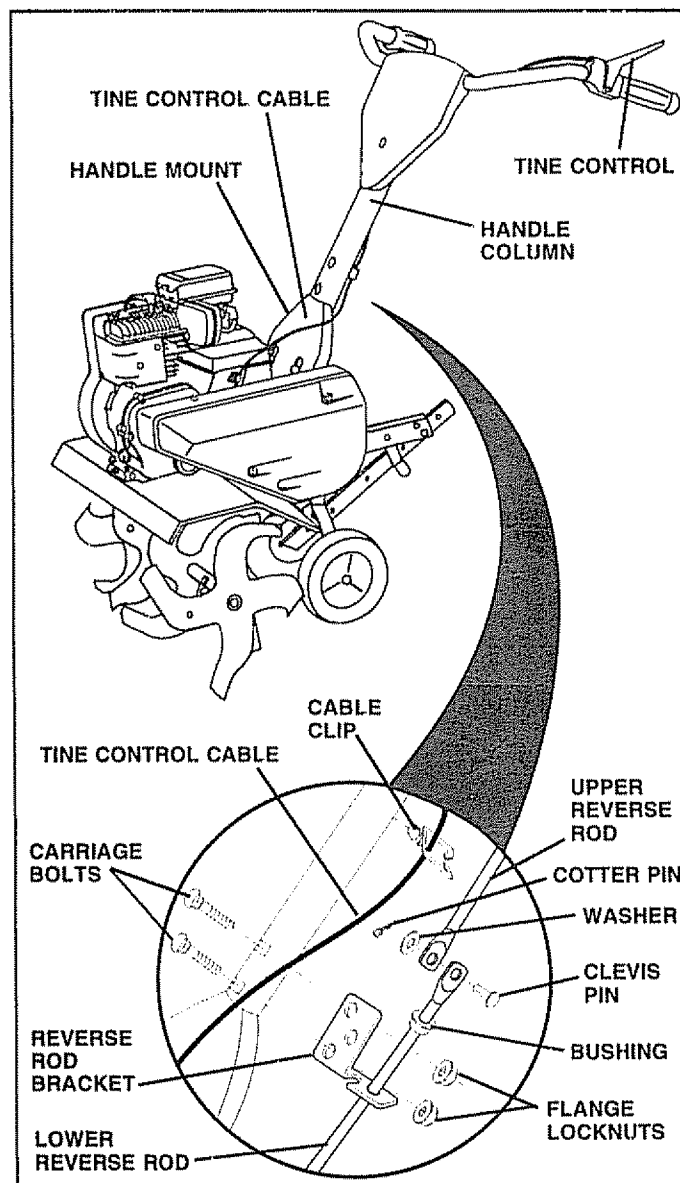


FIG. 2

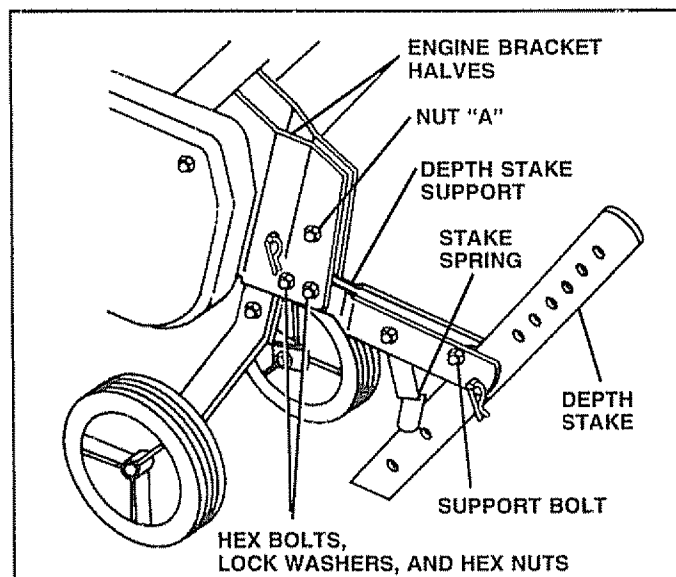


FIG. 3

OPERATION

KNOW YOUR TILLER

READ THIS OWNER'S MANUAL AND SAFETY RULES BEFORE OPERATING YOUR TILLER.

Compare the illustrations with your tiller to familiarize yourself with the location of various controls and adjustments. Save this manual for future reference.

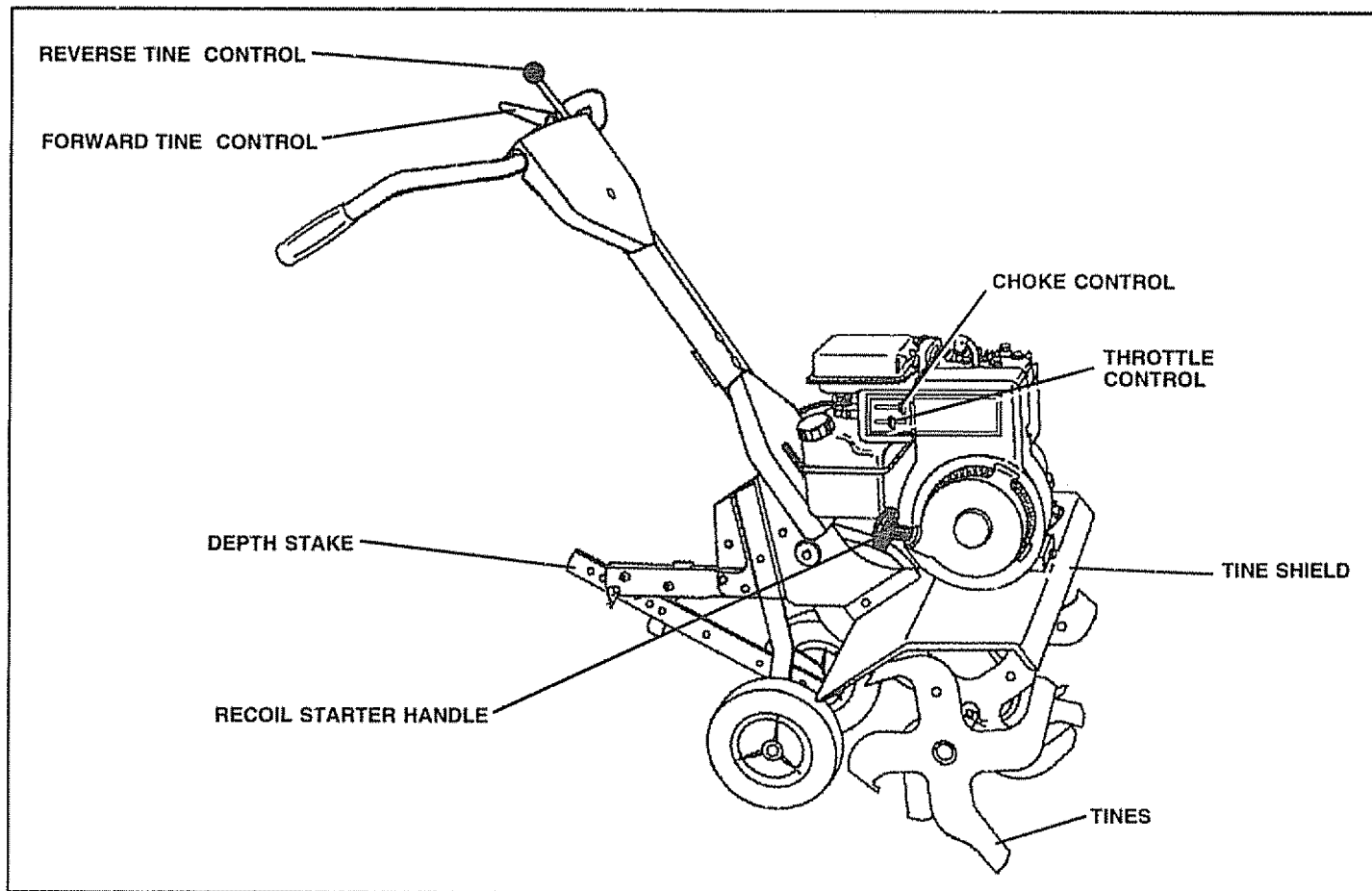


FIG. 4

MEETS ANSI SAFETY REQUIREMENTS

Sears tillers conform to the safety standards of the American National Standards Institute.

FORWARD TINE CONTROL - Engages tines in forward direction.

REVERSE TINE CONTROL - Engages tines in reverse direction.

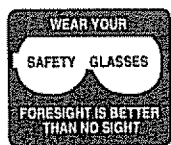
CHOKE CONTROL - Used when starting a cold engine.

THROTTLE CONTROL - Controls engine speed.

DEPTH STAKE - Controls forward speed and the depth at which the tiller will dig.

RECOIL STARTER HANDLE - Used to start the engine.

OPERATION



The operation of any tiller can result in foreign objects thrown into the eyes, which can result in severe eye damage. Always wear safety glasses or eye shields before starting your tiller and while tilling. We recommend a wide vision safety mask for over the spectacles or standard safety glasses.

HOW TO USE YOUR TILLER

STOPPING (See Fig. 5)

TINES

- Release forward tine control to stop forward movement.
- Release reverse tine control to stop reverse movement.

ENGINE

- Move throttle control to "STOP" position.
- Never use choke to stop engine.

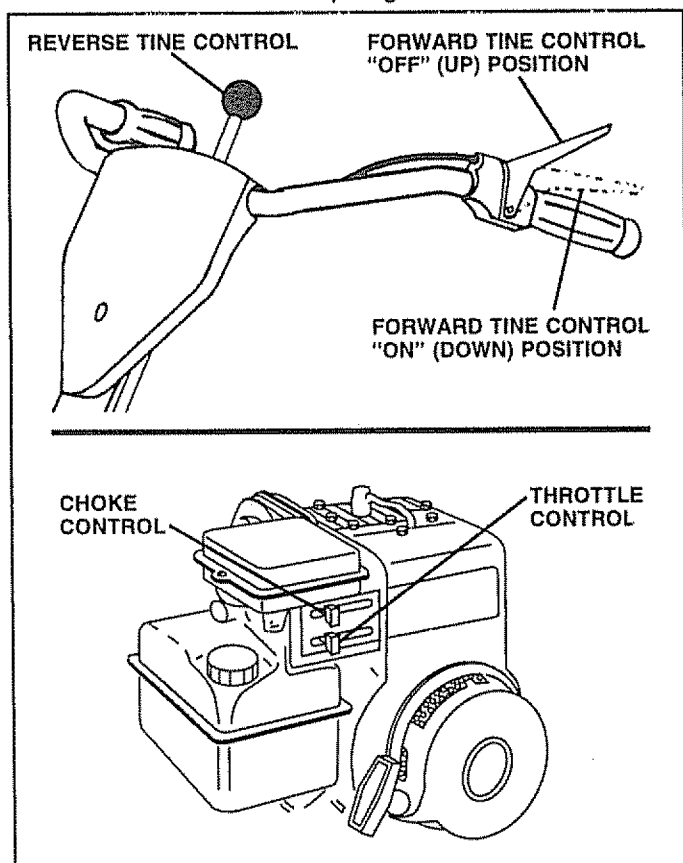


FIG. 5

TINE OPERATION (See Fig. 5)

Start engine and move throttle control to desired speed.

FORWARD

- Squeeze forward tine control to handle.

REVERSE

- With forward tine control in "OFF" (up) position, pull back and hold reverse tine control.

TILLING

The speed and depth of tilling is regulated by the position of the depth stake and wheel height.

The depth stake should always be below the wheels for digging. It serves as a brake to slow the tiller's forward motion to enable the tines to penetrate the ground. Also, the more the depth stake is lowered into the ground the deeper the tines will dig.

DEPTH STAKE (See Fig. 6)

Adjust depth stake by removing the hairpin clip and clevis pin. Change depth stake to desired position. Replace the clevis pin and hairpin clip.

- For normal tilling, set depth stake at the second or third hole from the top.

WHEELS (See Fig. 6)

Adjust wheels by removing the hairpin clip and clevis pin. Change wheel position. Replace the hairpin clip and clevis pin.

- For normal tilling, set wheels at the second or third hole from the top.

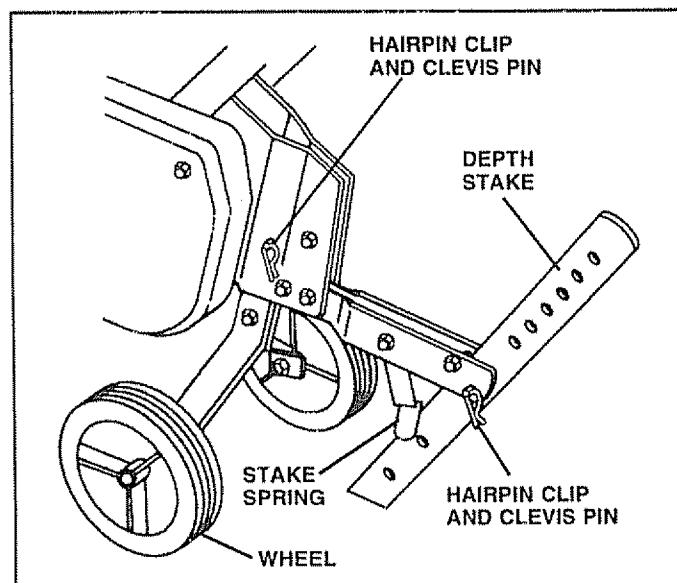


FIG. 6

OPERATION

TRANSPORTING YOUR TILLER



CAUTION: Before lifting or transporting, allow tiller engine and muffler to cool. Disconnect sparkplug wire. Drain gasoline from fuel tank.

AROUND THE YARD

- Tip depth stake forward until it is held by the stake spring.
- Push tiller handles down, raising tines off the ground.
- Push or pull tiller to desired location.

AROUND TOWN

- Disconnect spark plug wire.
- Drain fuel tank.
- Transport in upright position to prevent oil leakage.

BEFORE STARTING ENGINE

IMPORTANT: BE VERY CAREFUL NOT TO ALLOW DIRT TO ENTER THE ENGINE WHEN CHECKING OR ADDING OIL OR FUEL. USE CLEAN OIL AND FUEL AND STORE IN APPROVED, CLEAN, COVERED CONTAINERS. USE CLEAN FILL FUNNELS.

FILL ENGINE WITH OIL (See Fig. 7)

- With engine level, remove engine oil filler plug.
- Fill engine with oil to point of overflowing. For approximate capacity see "PRODUCT SPECIFICATIONS" on page 3 of this manual.
- Tilt tiller back on its wheels and then re-level.
- Check oil level. Refill to point of overflowing if necessary. Replace oil filler plug.
- For cold weather operation you should change oil for easier starting (See "OIL VISCOSITY CHART" in the Customer Responsibilities section of this manual).
- To change engine oil, see the Customer Responsibilities section of this manual.

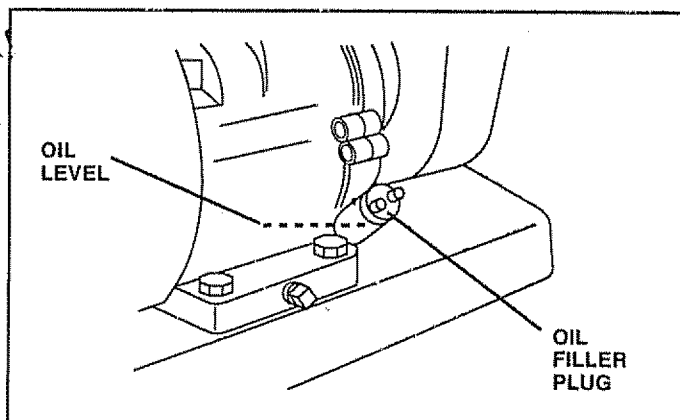


FIG. 7

ADD GASOLINE

- Fill fuel tank. Use fresh, clean, regular unleaded gasoline. (Use of leaded gasoline will increase carbon and lead oxide deposits and reduce valve life.

IMPORTANT: WHEN OPERATING IN TEMPERATURES BELOW 32°F, USE FRESH, CLEAN, WINTER GRADE GASOLINE TO HELP INSURE GOOD COLD WEATHER STARTING.

WARNING: Experience indicates that alcohol blended fuels (called gasohol or using ethanol or methanol) can attract moisture which leads to separation and formation of acids during storage. Acidic gas can damage the fuel system of an engine while in storage. To avoid engine problems, the fuel system should be emptied before storage of 30 days or longer. Drain the gas tank, start the engine and let it run until the fuel lines and carburetor are empty. Use fresh fuel next season. See the Storage section of this manual for additional information. Never use engine or carburetor cleaner products in the fuel tank or permanent damage may occur.



CAUTION: Fill to within 1/2 inch of top of fuel tank to prevent spills and to allow for fuel expansion. If gasoline is accidentally spilled, move machine away from area of spill. Avoid creating any source of ignition until gasoline vapors have disappeared.

Do not overfill. Wipe off any spilled oil or fuel. Do not store, spill or use gasoline near an open flame.

TO START ENGINE (See Fig. 8)



CAUTION: Keep the tine control in "OFF" position when starting engine.

- Make sure spark plug wire is properly connected.
- Place throttle control in "FAST" position.
- To start a cold engine, place choke control in "CHOKE" position. A warm engine requires less choking to start.
- Grasp starter handle with one hand and grasp the tiller with other hand. Pull rope out slowly until engine reaches start of compression cycle (rope will pull slightly harder at this point).
- Pull starter handle quickly. Do not let starter handle snap back against starter.
- When engine starts, slowly move choke control to "RUN" position as engine warms up.
- Move throttle control to desired running position.
- Allow engine to warm up for a few minutes before engaging tines.

NOTE: If at a high altitude (3000 feet) or in cold temperatures (below 32°F), the carburetor fuel mixture may need to be adjusted for best engine performance. See "TO ADJUST CARBURETOR" in the Service and Adjustments section of this manual.

OPERATION

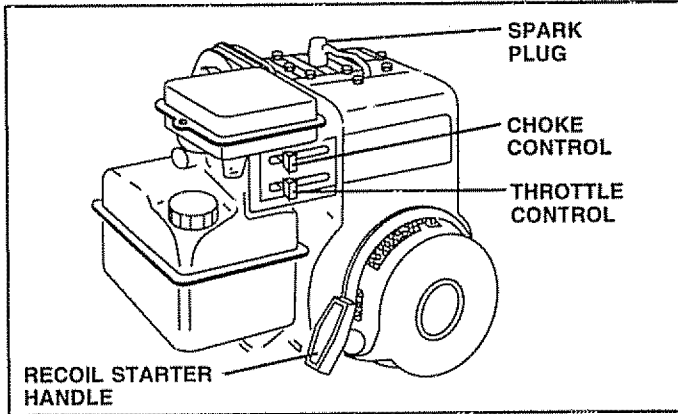


FIG. 8

BREAKING IN YOUR TILLER

Break-in your belt(s), pulleys and tine control before you actually begin tilling.

- Start engine, tip tines off ground by pressing handles down and engage tine control to start tine rotation. Allow tines to rotate for five minutes.
- Check tine operation and adjust if necessary. See "TINE OPERATION CHECK" in the Service and Adjustments section of this manual.

TILLING HINTS



CAUTION: Until you are accustomed to handling your tiller, start actual field use with throttle in slow position (mid-way between "FAST" and "IDLE").

To help tiller move forward, lift up the handles slightly (thus lifting depth stake out of ground). To slow down the tiller, press down on handles.

If you are straining or tiller is shaking, the wheels and depth stake are not set properly in the soil being tilled. The proper setting of the wheels and depth stake is through trial and error and depends upon the soil condition. (The harder or wetter the ground, the slower the engine and tine speed needed. Under these poor conditions, at fast speed the tiller will run and jump over the ground).

A properly adjusted tiller will dig with little effort from the operator.

- Tilling is digging into, turning over, and breaking up packed soil before planting. Loose, unpacked soil helps root growth. Best tilling depth is 4" to 6". A tiller will also clear the soil of unwanted vegetation. The decomposition of this vegetable matter enriches the soil. Depending on the climate (rainfall and wind), it may be advisable to till the soil at the end of the growing season to further condition the soil.
- Soil conditions are important for proper tilling. Tines will not readily penetrate dry, hard soil which may contribute to excessive bounce and difficult handling of your tiller. Hard soil should be moistened before tilling; however, extremely wet soil will "ball-up" or clump during tilling. Wait until the soil is less wet in order to achieve the best results. When tilling in the fall, remove vines and long grass to prevent them from wrapping around the tine shaft and slowing your tilling operation.

- You will find tilling much easier if you leave a row untilled between passes. Then go back over the entire area at right angles (See Fig. 9). There are two reasons for doing this. First, wide turns are much easier to negotiate than about-faces. Second, the tiller won't be pulling itself, and you, toward the row next to it.
- Set depth stake and wheel height for shallow tilling when working extremely hard soil or sod. Then work across the first cuts at normal depth.

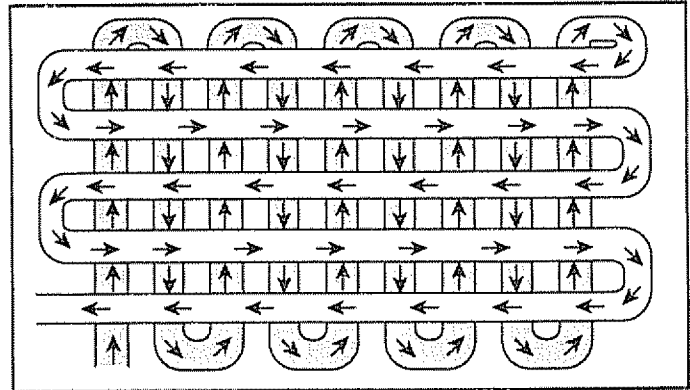


FIG. 9

CULTIVATING

Cultivating is destroying the weeds between rows to prevent them from robbing nourishment and moisture from the plants. At the same time, breaking up the upper layer of soil crust will help retain moisture in the soil. Best digging depth is 1" to 3".

- You will probably not need to use the depth stake. Begin by tipping the depth stake forward until it is held by the stake spring.
- Cultivate up and down the rows at a speed which will allow tines to uproot weeds and leave the ground in rough condition, promoting no further growth of weeds and grass (See Fig. 10).

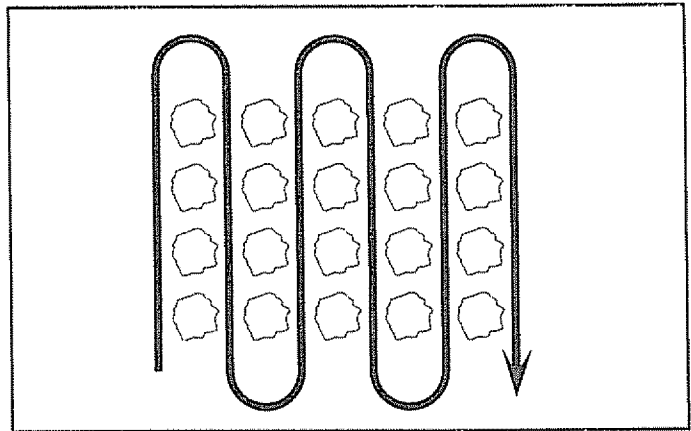


FIG. 10

CUSTOMER RESPONSIBILITIES

MAINTENANCE SCHEDULE						SERVICE DATES															
	BEFORE EACH USE	FIRST 2 HOURS	EVERY 5 HOURS	EVERY 25 HOURS	EVERY 50 HOURS																
FILL IN DATES AS YOU COMPLETE REGULAR SERVICE																					
Check Engine Oil Level	✓		✓																		
Change Engine Oil		✓		✓ ^{1,2}																	
Oil Pivot Points			✓																		
Inspect Spark Arrester Muffler					✓																
Inspect Air Screen	✓																				
Clean or Replace Air Cleaner Cartridge				✓ ²																	
Clean Engine Cylinder Fins				✓																	
Replace Spark Plug					✓																

1 - Change more often when operating under a heavy load or in high ambient temperatures.
 2 - Service more often when operating in dirty or dusty conditions

GENERAL RECOMMENDATIONS

The warranty on this tiller does not cover items that have been subjected to operator abuse or negligence. To receive full value from the warranty, operator must maintain tiller as instructed in this manual.

Some adjustments will need to be made periodically to properly maintain your tiller.

All adjustments in the Service and Adjustments section of this manual should be checked at least once each season.

- Once a year you should replace the spark plug, clean or replace air filter, and check tines and belt for wear. A new spark plug and clean air filter assure proper air-fuel mixture and help your engine run better and last longer.

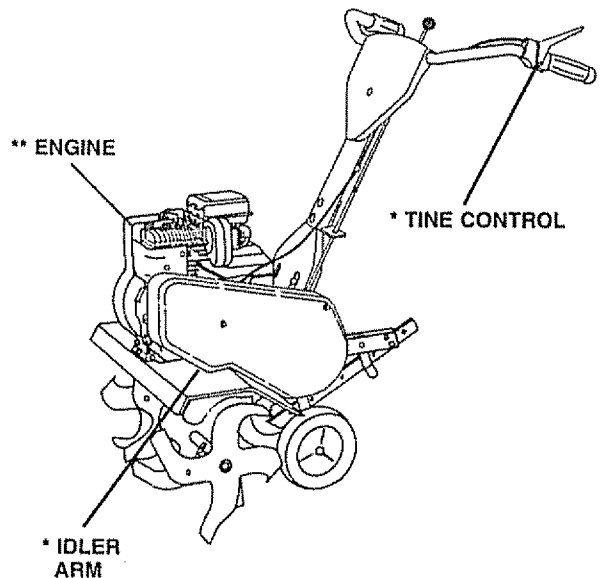
BEFORE EACH USE

- Check engine oil level.
- Check tine operation.
- Check for loose fasteners.

LUBRICATION

Keep unit well lubricated (See "LUBRICATION CHART").

LUBRICATION CHART



* SAE 30 OR 10W30 MOTOR OIL

** REFER TO CUSTOMER RESPONSIBILITIES "ENGINE" SECTION.

CUSTOMER RESPONSIBILITIES



Disconnect spark plug wire before performing any maintenance (except carburetor adjustment) to prevent accidental starting of engine.

Prevent fires! Keep the engine free of grass, leaves, spilled oil, or fuel. Remove fuel from tank before tipping unit for maintenance. Clean muffler area of all grass, dirt, and debris.

Do not touch hot muffler or cylinder fins as contact may cause burns.

ENGINE

LUBRICATION

Use only high quality detergent oil rated with API service classification SG. Select the oil's SAE viscosity grade according to your expected temperature.

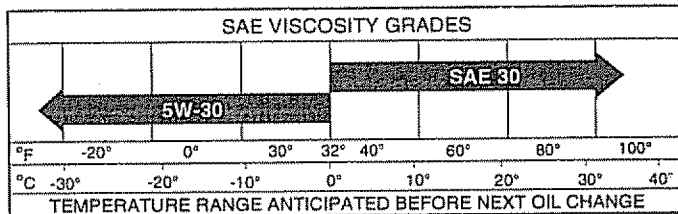


FIG. 11

NOTE: Although multi-viscosity oils (5W-30, 10W-30, etc.) improve starting in cold weather, these multi-viscosity oils will result in increased oil consumption when used above 32°F (0°C). Check your engine oil level more frequently to avoid possible engine damage from running low on oil.

Change the oil after the first two hours of operation and every 25 hours thereafter or at least once a year if the tiller is not used for 25 hours in one year.

Check the crankcase oil level before starting the engine and after each five (5) hours of continuous use. Add SAE 30 motor oil or equivalent. Tighten oil filler plug securely each time you check the oil level.

TO CHANGE ENGINE OIL (See Figs. 11 and 12)

Determine temperature range expected before oil change. All oil must meet API service classification SG.

- Be sure tiller is on level surface.
- Oil will drain more freely when warm.
- Catch oil in a suitable container.
- Remove drain plug.
- Tip tiller forward to drain oil.
- After oil has drained completely, replace oil drain plug and tighten securely.
- Remove oil filler plug. Be careful not to allow dirt to enter the engine.
- Refill engine with oil. See "CHECK ENGINE OIL LEVEL" in the Operation section of this manual.

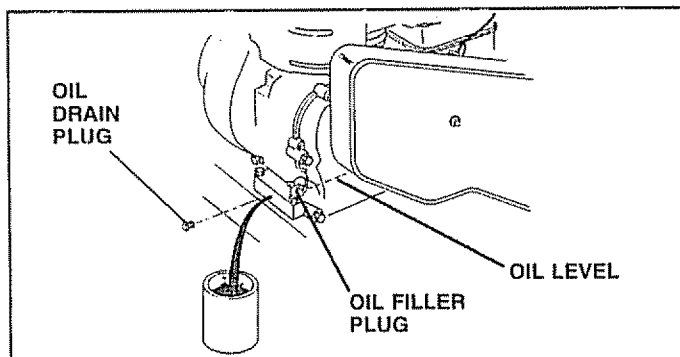


FIG. 12

AIR CLEANER (See Fig. 13)

Service air cleaner cartridge every twenty-five hours, more often if engine is used in very dusty conditions.

- Loosen air cleaner screws, one on each side of cover.
- Remove air cleaner cover.
- Carefully remove air cleaner cartridge. Be careful. Do not allow dirt or debris to fall into carburetor.
- Clean by tapping gently on a flat surface.
- If very dirty or damaged, replace cartridge.
- Clean and replace cover. Tighten screws securely.



CAUTION: Petroleum solvents, such as kerosene, are not to be used to clean cartridge. They may cause deterioration of the cartridge. Do not oil cartridge. Do not use pressurized air to clean or dry cartridge.

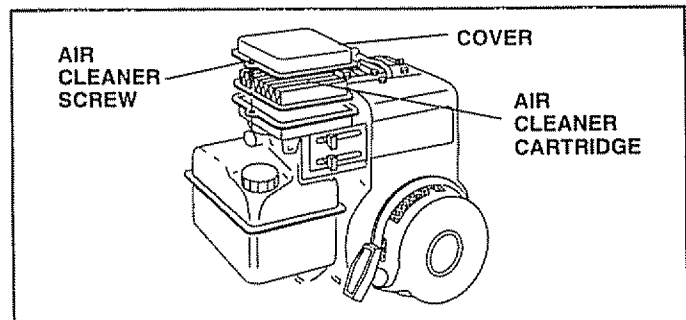


FIG. 13

COOLING SYSTEM (See Fig. 14)

Your engine is air cooled. For proper engine performance and long life keep your engine clean.

- Clean air screen frequently using a stiff-bristled brush.
- Remove blower housing and clean as necessary.
- Keep cylinder fins free of dirt and chaff.

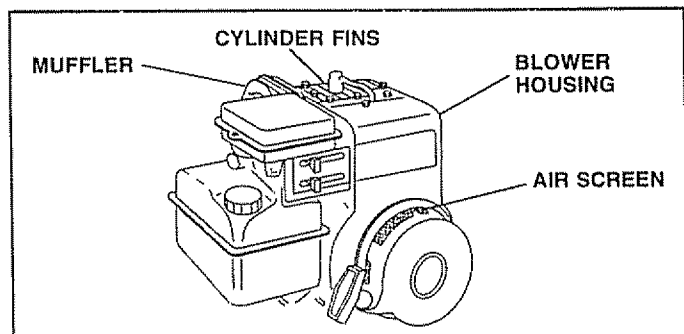


FIG. 14

CUSTOMER RESPONSIBILITIES

MUFFLER

Do not operate tiller without muffler. Do not tamper with exhaust system. Damaged mufflers or spark arresters could create a fire hazard. Inspect periodically and replace if necessary. If your engine is equipped with a spark arrester screen assembly, remove every 50 hours for cleaning and inspection. Replace if damaged.

SPARK PLUG

Replace spark plugs at the beginning of each tilling season or after every 50 hours of use, whichever comes first. Spark plug type and gap setting is shown in "PRODUCT SPECIFICATIONS" on page 3 of this manual.

TRANSMISSION

Your transmission is sealed and will only require lubrication if it is serviced.

CLEANING

- Clean engine, wheels, finish, etc. of all foreign matter.
- Keep finished surfaces and wheels free of all gasoline, oil, etc.
- Protect painted surfaces with automotive type wax.

We do not recommend using a garden hose to clean your unit unless the muffler, air filter and carburetor are covered to keep water out. Water in engine can result in a shortened engine life.

SERVICE AND ADJUSTMENTS



CAUTION: Disconnect spark plug wire from spark plug and place wire where it cannot come into contact with plug.

TILLER

TO ADJUST HANDLE HEIGHT (See Fig. 15)

Factory assembly has provided lowest handle height. Select handle height best suited for your tilling conditions. Handle height will be different when tiller digs into soil.

- If a higher handle height is desired, loosen the four nuts securing handle panel to engine brackets.
- Slide handle panel to desired location.
- Tighten the four nuts securely.

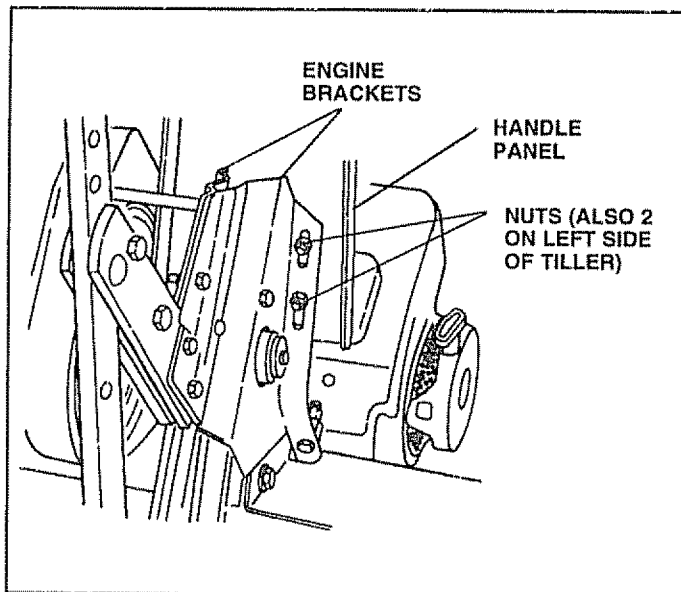


FIG. 15

TINE ARRANGEMENT

Your outer tines can be assembled in several different ways to suit your tilling or cultivating needs.



CAUTION: Tines are sharp. Wear gloves or other protection when handling tines.

NORMAL TILLING - 26 INCH PATH (See Fig. 16)

- Assemble holes "A" in tine hubs to holes "B" in tine shaft.

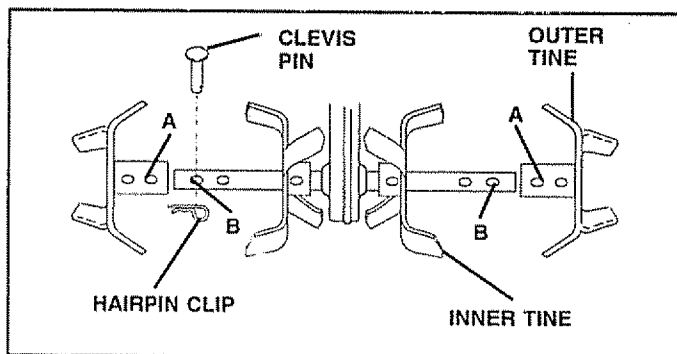


FIG. 16

SERVICE AND ADJUSTMENTS

MID-WIDTH TILLING - 24 INCH PATH (See Fig. 17)

- Assemble holes "A" in tine hubs to holes "C" in tine shaft.

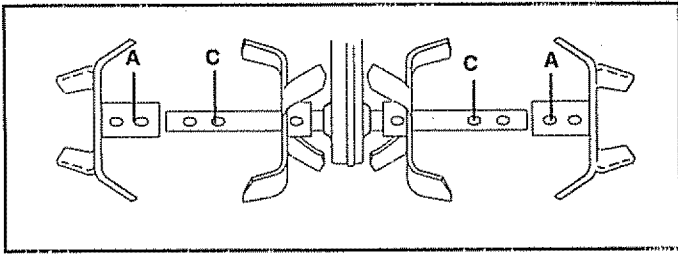


FIG. 17

NARROW TILLING/CULTIVATING - 12-3/4 INCH PATH (See Fig. 18)

- Remove outer tines.

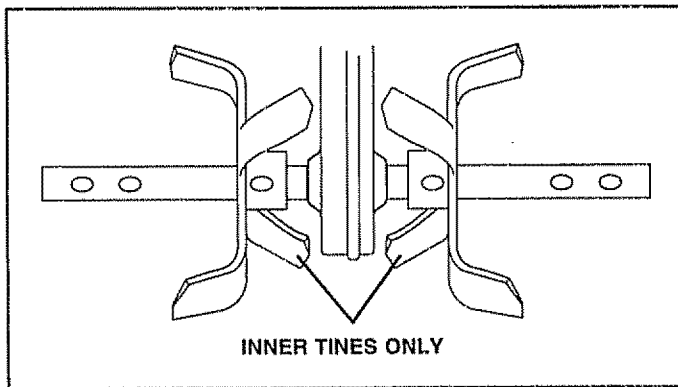


FIG. 18

NOTE: When reassembling outer tines, be sure right tine assembly (marked "R") and left tine assembly (marked "L") are mounted to correct side of tine shaft.

TINE OPERATION CHECK (See Fig. 19)



WARNING: Disconnect spark plug wire from spark plug to prevent starting while checking tine operation.

For proper tine operation, forward tine control lever must be against control body and all slack removed from inner wire of control cable when control is in the "OFF" (up) position.

If lever and cable are loose, loosen cable clip at lower end of cable. Pull up on cable to remove slack, without extending spring on end of cable, and retighten cable clip.

FINAL CHECK "OFF" POSITION

- With tine control "OFF" (up), push down on handle to raise tines off the ground.
- Slowly pull recoil starter handle while observing tines. Tines should not rotate.
- If tines rotate, inner wire of control cable is too tight which is extending lower spring and engaging tines. Loosen cable clip and push down on cable only enough to relieve spring tension. Tighten cable clip.
- Recheck in "OFF" position and adjust if necessary.

FINAL CHECK "ON" POSITION

- With tine control "ON" (held down to handle) push down on handle to raise tines off the ground.
- Slowly pull recoil starter handle while observing tines. Tines should rotate forward.
- If tines do not rotate, inner wire of control cable is too loose. Loosen cable clip and pull cable up to remove slack and retighten clip.
- Recheck in "ON" position and adjust if necessary.

NOTE: If "ON" position check required adjustment, recheck "OFF" position adjustment to insure tines do not rotate when control is "OFF" (up).

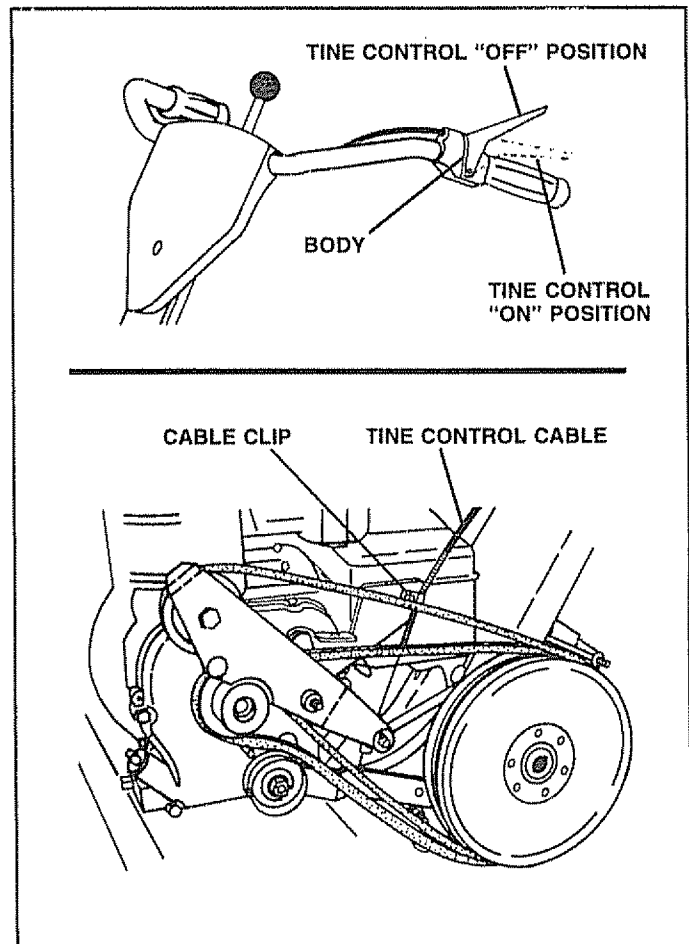


FIG. 19

SERVICE AND ADJUSTMENTS

TO REPLACE V-BELTS (See Figs. 20 and 21)

Replace V-belts if they have stretched considerably or if they show cracks or frayed edges. There are two (2) V-belts - forward (inside) and reverse (outside).

Belt guard must be removed to service belts. See "TO REMOVE BELT GUARD" in this section of manual.

NOTE: Observe carefully routing of both belts and location of all belt guides before removing belts.

BELT REMOVAL

- Remove reverse idler pulley from idler arm.
- Remove reverse (outside) V-belt.
- Remove forward (inside) V-belt from transmission pulley first and then from engine pulley.

BELT REPLACEMENT

- Install new forward (inside) V-belt to engine pulley first then to transmission pulley. Be sure belt is positioned on inside groove of both pulleys, inside all belt guides and rests on idler pulley.
- Before installing reverse (outside) V-belt, turn belt "inside out". Twist so wide, flat surface of belt is to inside.
- Wrap V-belt around reverse idler pulley and reassemble idler to idler arm. Tighten securely. Be sure belt is between reverse idler pulley and idler arm pin.
- Install belt to outside groove of transmission pulley. Be sure belt is inside all belt guides and rests on outside groove of engine pulley.

CHECK TINE OPERATION

- See "TINE OPERATION CHECK" in this section of manual.

REPLACE BELT GUARD

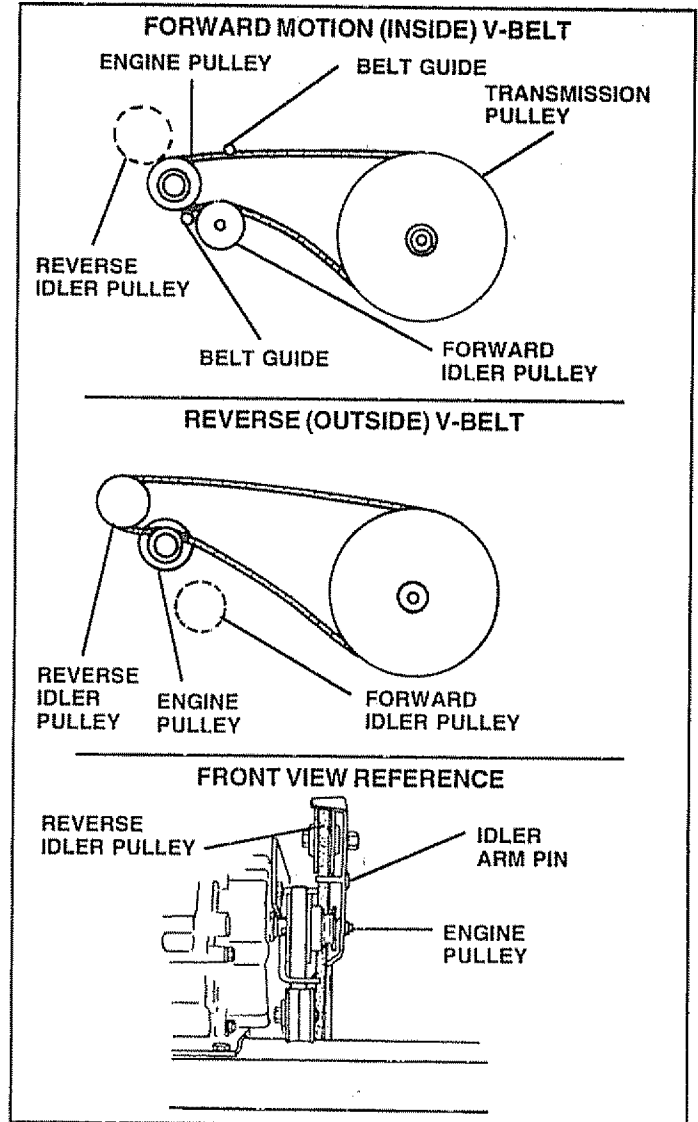


FIG. 21

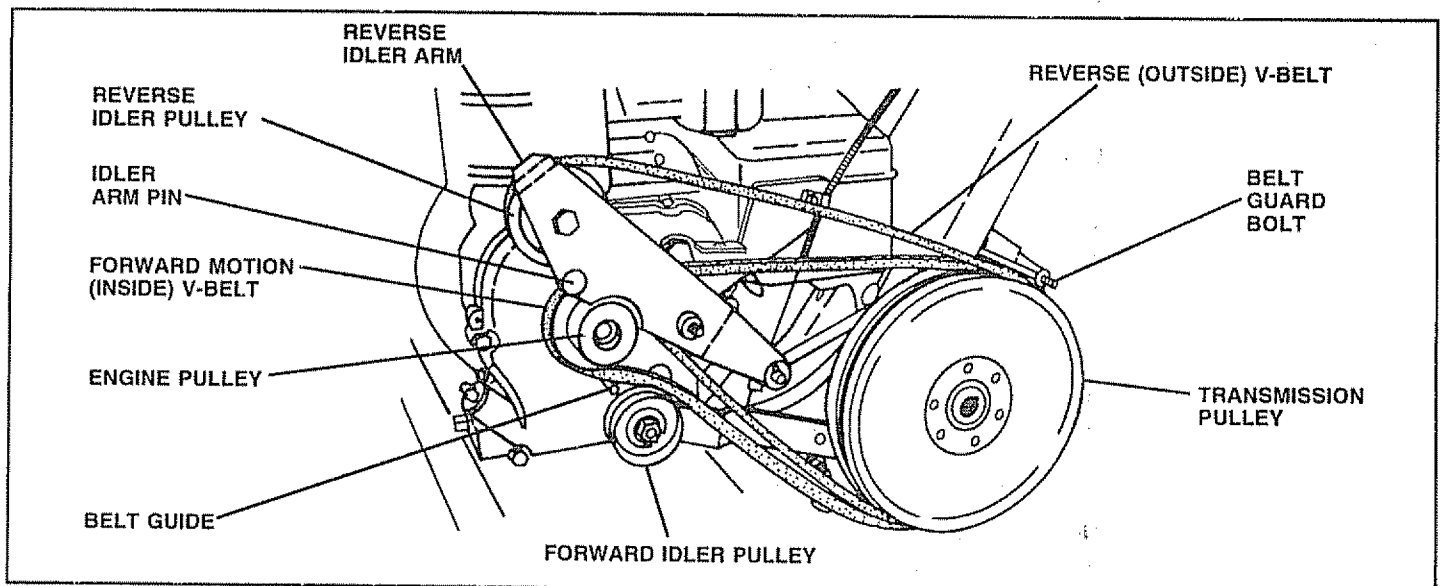


FIG. 20

SERVICE AND ADJUSTMENTS

TO REMOVE BELT GUARD (See Fig. 22)

- Remove two (2) cap nuts and washers from side of belt guard.
- Loosen (do not remove) tine shield nut on underside of tine shield.
- Pull belt guard out and away from unit.
- Replace belt guard by reversing above procedure. Be sure slot in bottom of belt guard is under head of tine shield bolt and all nuts are tightened securely.

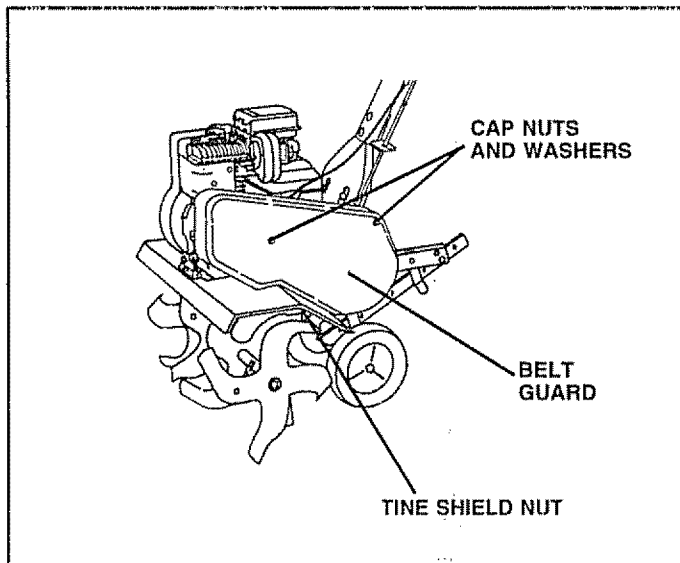


FIG. 22

ENGINE

TO ADJUST CARBURETOR (See Fig. 23)

The carburetor has a high speed fixed jet and has been preset at the factory and adjustment should not be necessary. However, minor adjustments may be required to compensate for differences in fuel, temperature, altitude or load. If the carburetor does need adjustment, proceed as follows.

In general, turning the idle needle valve in (clockwise) decreases the supply of fuel to the engine giving a leaner fuel/air mixture. Turning the needle valve out (counterclockwise) increases the supply of fuel to the engine giving a richer fuel/air mixture.

IMPORTANT: DAMAGE TO THE NEEDLES AND THE SEATS IN CARBURETOR MAY RESULT IF SCREWS ARE TURNED IN TOO TIGHT.

PRELIMINARY SETTING

- Air cleaner assembly must be assembled to the carburetor when making carburetor adjustments.
- With engine off, turn idle needle valve in (clockwise) closing it finger tight and then turn valve out (counterclockwise) 1-1/2 turns.

FINAL SETTING

- Start engine and allow to warm for five minutes. Make final adjustments with engine running at idle and tine control lever in "OFF" position.
- With throttle control in "SLOW" position, turn idle needle valve in (clockwise) until engine begins to die then turn out (counterclockwise) until engine runs rough. Turn valve to a point midway between those two positions.

IDLE RPM ADJUSTMENT

- To adjust idle RPM, rotate throttle linkage counterclockwise and hold against stop while adjusting idle speed adjusting screw to obtain 1750 RPM. Release throttle linkage.

ACCELERATION TEST

- Move throttle control lever from "SLOW" to "FAST" position. If engine hesitates or dies, turn idle needle valve out (counterclockwise) 1/8 turn. Repeat test and continue to adjust, if necessary, until engine accelerates smoothly.

High speed stop is factory adjusted. Do not adjust or damage may result.

IMPORTANT: NEVER TAMPER WITH THE ENGINE GOVERNOR, WHICH IS FACTORY SET FOR PROPER ENGINE SPEED. OVERSPEEDING THE ENGINE ABOVE THE FACTORY HIGH SPEED SETTING CAN BE DANGEROUS. IF YOU THINK THE ENGINE-GOVERNED HIGH SPEED NEEDS ADJUSTING, CONTACT YOUR NEAREST SEARS SERVICE CENTER/DEPARTMENT, WHICH HAS PROPER EQUIPMENT AND EXPERIENCE TO MAKE ANY NECESSARY ADJUSTMENTS.

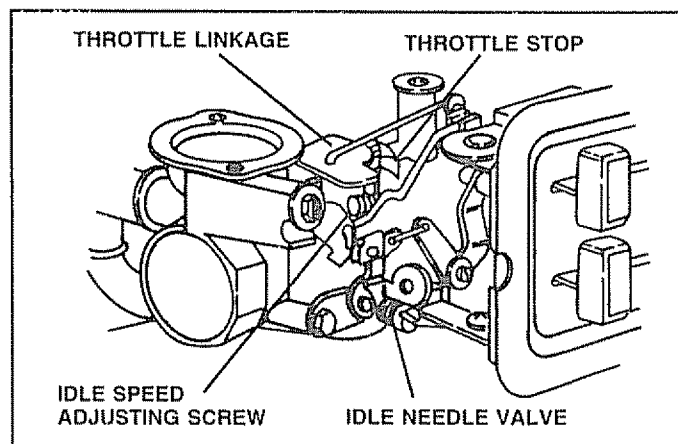


FIG. 23

STORAGE

Immediately prepare your tiller for storage at the end of the season or if the unit will not be used for 30 days or more.



CAUTION: Never store the tiller with gasoline in the tank inside a building where fumes may reach an open flame or spark. Allow the engine to cool before storing in any enclosure.

TILLER

- Clean entire tiller (See "CLEANING" in the Customer Responsibilities section of this manual).
- Inspect and replace belts, if necessary (See belt replacement instructions in the Service and Adjustments section of this manual).
- Lubricate as shown in the Customer Responsibilities section of this manual.
- Be sure that all nuts, bolts and screws are securely fastened. Inspect moving parts for damage, breakage and wear. Replace if necessary.
- Touch up all rusted or chipped paint surfaces; sand lightly before painting.

ENGINE

FUEL SYSTEM

IMPORTANT: IT IS IMPORTANT TO PREVENT GUM DEPOSITS FROM FORMING IN ESSENTIAL FUEL SYSTEM PARTS SUCH AS THE CARBURETOR, FUEL FILTER, FUEL HOSE, OR TANK DURING STORAGE. ALSO, EXPERIENCE INDICATES THAT ALCOHOL BLENDED FUELS (CALLED GASOHOL OR USING ETHANOL OR METHANOL) CAN ATTRACT MOISTURE WHICH LEADS TO SEPARATION AND FORMATION OF ACIDS DURING STORAGE. ACIDIC GAS CAN DAMAGE THE FUEL SYSTEM OF AN ENGINE WHILE IN STORAGE.

- Drain the fuel tank.
- Start the engine and let it run until the fuel lines and carburetor are empty.
- Never use engine or carburetor cleaner products in the fuel tank or permanent damage may occur.
- Use fresh fuel next season.

NOTE: Fuel stabilizer is an acceptable alternative in minimizing the formation of fuel gum deposits during storage. Add stabilizer to gasoline in fuel tank or storage container. Always follow the mix ratio found on stabilizer container. Run engine at least 10 minutes after adding stabilizer to allow the stabilizer to reach the carburetor. Do not drain the gas tank and carburetor if using fuel stabilizer.

ENGINE OIL

Drain oil (with engine warm) and replace with clean oil. (See "ENGINE" in the Customer Responsibilities section of this manual).

CYLINDERS

- Remove spark plug.
- Pour 1 ounce (29 ml) of oil through spark plug hole into cylinder.
- Pull starter handle slowly several times to distribute oil.
- Replace with new spark plug.

OTHER

- Do not store gasoline from one season to another.
- Replace your gasoline can if your can starts to rust. Rust and/or dirt in your gasoline will cause problems.
- If possible, store your unit indoors and cover it to give protection from dust and dirt.
- Cover your unit with a suitable protective cover that does not retain moisture. Do not use plastic. Plastic cannot breathe which allows condensation to form and will cause your unit to rust.

IMPORTANT: NEVER COVER TILLER WHILE ENGINE AND EXHAUST AREAS ARE STILL WARM.

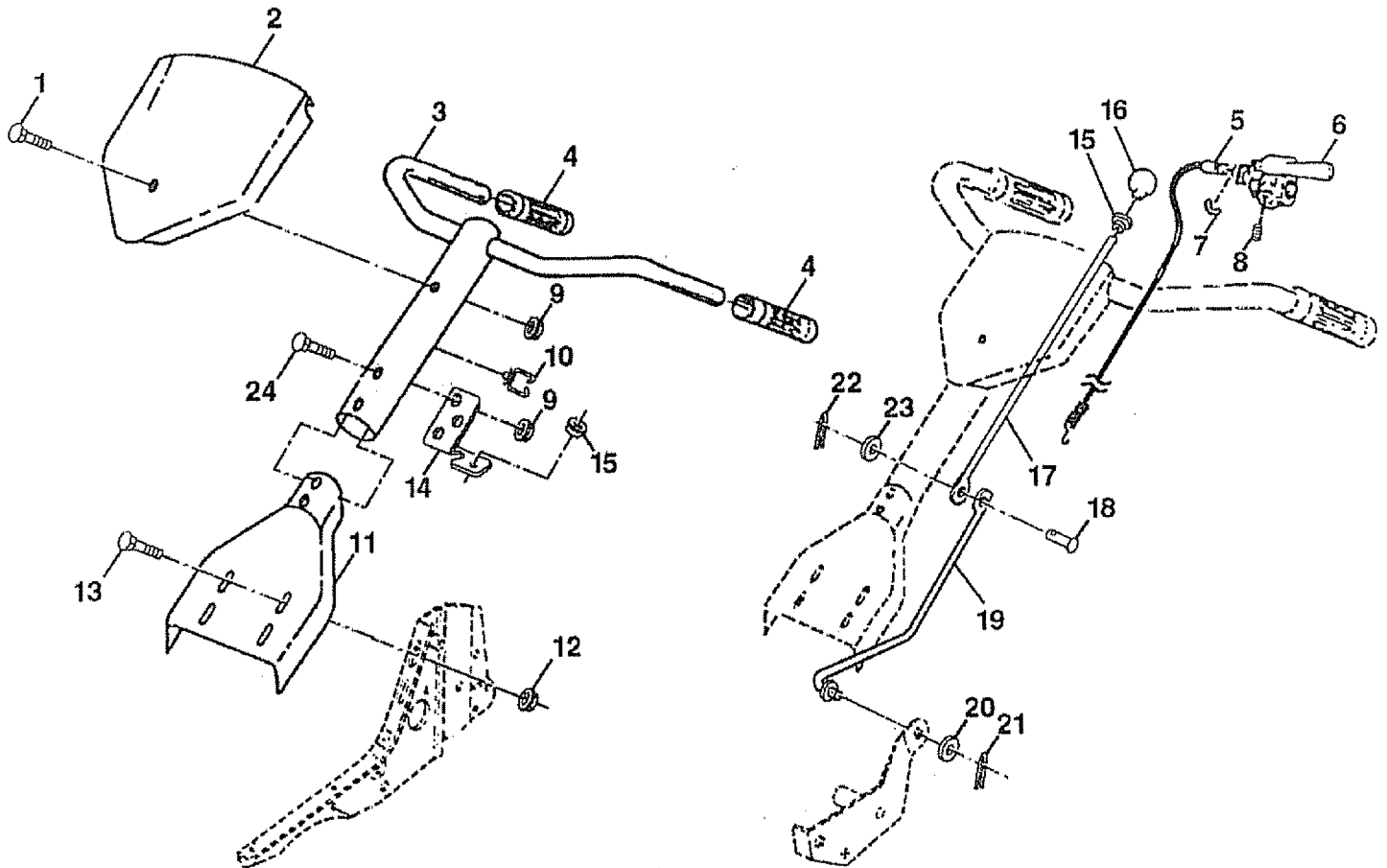
TROUBLESHOOTING POINTS

PROBLEM	CAUSE	CORRECTION
Will not start	<ol style="list-style-type: none"> 1. Out of fuel. 2. Engine not "CHOKED" properly. 3. Engine flooded 4. Dirty air cleaner 5. Water in fuel. 6. Clogged fuel tank 7. Loose spark plug wire 8. Bad spark plug or improper gap 9. Carburetor out of adjustment. 	<ol style="list-style-type: none"> 1. Fill fuel tank 2. See "TO START ENGINE" in the Operation section 3. Wait several minutes before attempting to start. 4. Clean or replace air cleaner cartridge. 5. Drain fuel tank and carburetor, and refill tank with fresh gasoline. 6. Remove fuel tank and clean 7. Make sure spark plug wire is seated properly on plug. 8. Replace spark plug or adjust gap. 9. Make necessary adjustments.
Hard to start	<ol style="list-style-type: none"> 1. Throttle control not set properly. 2. Dirty air cleaner. 3. Bad spark plug or improper gap. 4. Stale or dirty fuel. 5. Loose spark plug wire. 6. Carburetor out of adjustment. 	<ol style="list-style-type: none"> 1. Place throttle control in "FAST" position. 2. Clean or replace air cleaner cartridge. 3. Replace spark plug or adjust gap 4. Drain fuel tank and refill with fresh gasoline 5. Make sure spark plug wire is seated properly on plug 6. Make necessary adjustments.
Loss of power	<ol style="list-style-type: none"> 1. Engine is overloaded. 2. Dirty air cleaner. 3. Low oil level/dirty oil. 4. Faulty spark plug. 5. Oil in fuel. 6. Stale or dirty fuel 7. Water in fuel. 8. Clogged fuel tank 9. Spark plug wire loose 10. Dirty engine air screen. 11. Dirty/clogged muffler. 12. Carburetor out of adjustment. 13. Poor compression 	<ol style="list-style-type: none"> 1. Set depth stake and wheels for shallower tilling. 2. Clean or replace air cleaner cartridge 3. Check oil level/change oil. 4. Clean and regap or change spark plug. 5. Drain and clean fuel tank and refill, and clean carburetor 6. Drain fuel tank and refill with fresh gasoline. 7. Drain fuel tank and carburetor, and refill tank with fresh gasoline 8. Remove fuel tank and clean. 9. Connect and tighten spark plug wire. 10. Clean engine air screen. 11. Clean/replace muffler 12. Make necessary adjustments. 13. Contact an authorized Sears Service Center/Department
Engine overheats	<ol style="list-style-type: none"> 1. Low oil level/dirty oil 2. Dirty engine air screen. 3. Dirty engine. 4. Partially plugged muffler. 5. Improper carburetor adjustment 	<ol style="list-style-type: none"> 1. Check oil level/change oil. 2. Clean engine air screen. 3. Clean cylinder fins, air screen, muffler area. 4. Remove and clean muffler. 5. Adjust carburetor to richer position.
Excessive bounce/ difficult handling	<ol style="list-style-type: none"> 1. Ground too dry and hard 2. Wheels and depth stake incorrectly adjusted. 	<ol style="list-style-type: none"> 1. Moisten ground or wait for more favorable soil conditions. 2. Adjust wheels and depth stake.
Soil balls up or clumps	<ol style="list-style-type: none"> 1. Ground too wet 	<ol style="list-style-type: none"> 1. Wait for more favorable soil conditions
Engine runs but tiller won't move	<ol style="list-style-type: none"> 1. Tine control is not engaged. 2. V-belt not correctly adjusted. 3. V-belt is off pulley(s). 	<ol style="list-style-type: none"> 1. Engage tine control 2. Inspect/adjust V-belt. 3. Inspect V-belt.
Engine runs but labors when tilling	<ol style="list-style-type: none"> 1. Tilling too deep 2. Throttle control not properly adjusted. 3. Carburetor out of adjustment. 	<ol style="list-style-type: none"> 1. Set depth stake for shallower tilling. 2. Check throttle control setting. 3. Make necessary adjustments

REPAIR PARTS

5 HP 26" TILLER - - MODEL NUMBER 917.296351

HANDLE ASSEMBLY



KEY NO.	PART NO.	DESCRIPTION
1	STD533125	Bolt, Carriage 5/16-18 UNC x 2-3/8 Grade 5
2	136993	Panel, Control
3	110512X	Assembly, Handle Column
4	110632X	Grip, Handle
5	3066J	Cable, Tine Control
6	2635J	Lever, Control, Tine
7	12000027	Ring, Clip
8	23200405	Screw, Set
9	73970500	Locknut, Flange 5/16-18 UNC
10	121145X	Clip, Cable
11	110514X	Assembly, Panel and Tube
12	98000129	Nut, Flange

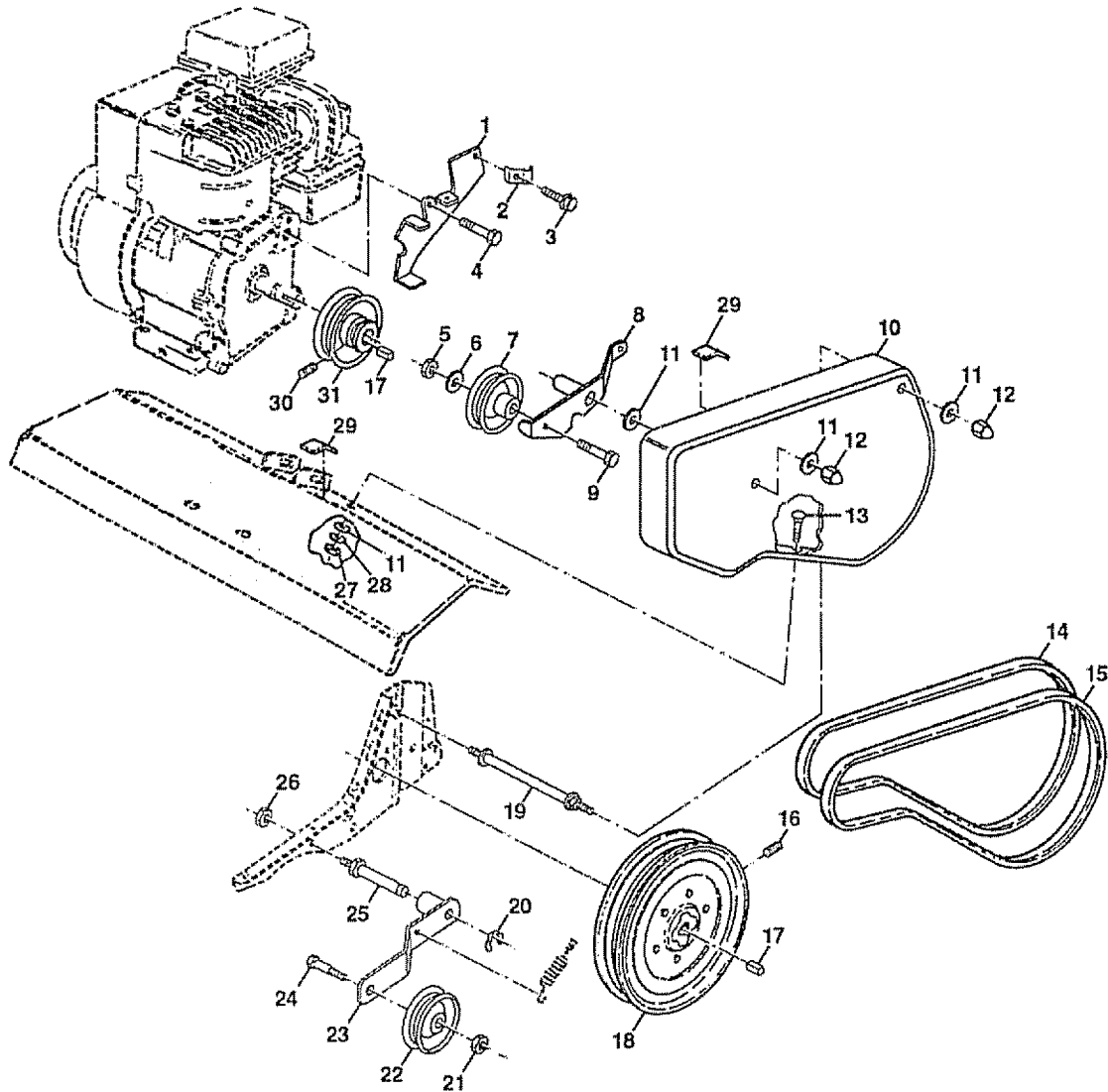
KEY NO.	PART NO.	DESCRIPTION
13	STD533107	Bolt, Carriage 5/16-18 x 3/4
14	136998	Bracket, Reverse Rod
15	137640	Bushing, Reverse Rod Bracket
16	106932X	Knob, Control, Reverse
17	101248K	Reverse Rod, Upper
18	1778E	Pin, Retaining
19	137056	Reverse Rod, Lower
20	STD551037	Washer 13/32 x 13/16 x 16 Gauge
21	STD561210	Pin, Cotter 1/8 x 3/4
22	STD560907	Pin, Cotter 3/32 x 1/2
23	19090814	Washer 9/32 x 1/2 x 14 Gauge
24	72010520	Bolt 5/16-18 x 2-1/2

NOTE: All component dimensions given in U.S. inches.
1 inch = 25.4 mm

REPAIR PARTS

5 HP 26" TILLER -- MODEL NUMBER 917.296351

BELT GUARD AND PULLEY ASSEMBLY



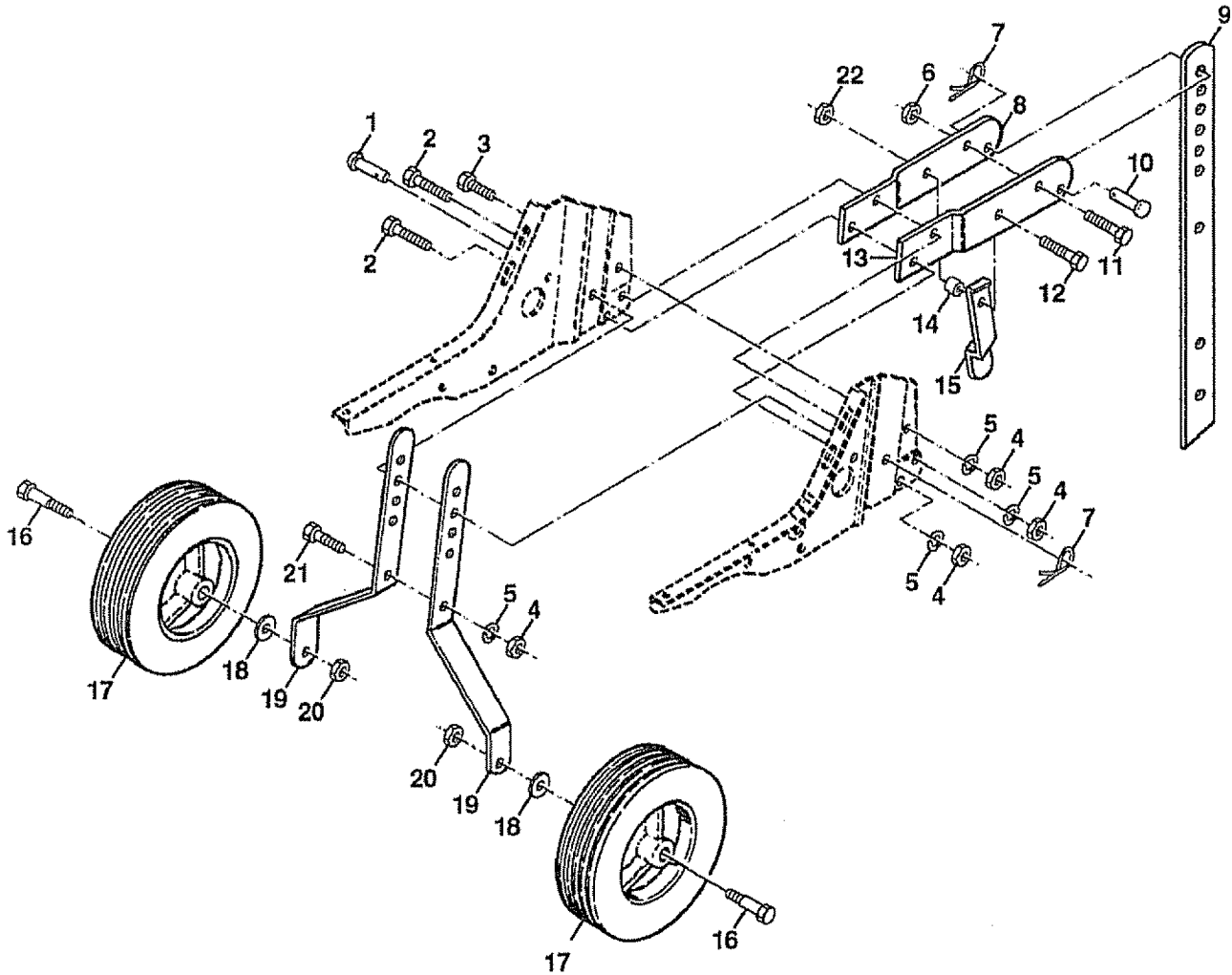
KEY NO.	PART NO.	DESCRIPTION	KEY NO.	PART NO.	DESCRIPTION
1	123643X	Assembly, Bracket, Belt Guard	17	2649M	Key, Square
2	9484R	Clip, Cable	18	2607J	Sheave, Transmission
3	86777	Screw, Hex Washer Head, Slotted, Thread Cutting #10-24 x 1/2 Type D	19	110550X	Bolt, Belt Guard
4	74770812	Bolt, Hex Head 1/2-20 x 3/4	20	12000036	Ring, Klip
5	STD541037	Nut, Hex 3/8-16	21	STD541237	Nut, Hex, Jam 3/8-16
6	19131316	Washer 13/32 x 13/16 x 16 Gauge	22	9178R	Pulley, Idler
7	2009J	Pulley, Idler, Reverse	23	674A30	Arm, Idler
8	127180X	Assembly, Arm, Reverse Idler	24	STD523712	Bolt, Hex Head 3/8-16 x 1-1/4
9	74760628	Bolt, Hex Head 3/8-16 x 1-3/4	25	106968X	Shaft, Idler Arm
10	106970X459	Guard, Belt	26	73350500	Nut, Hex, Jam 5/16-18
11	STD551025	Washer 9/32 x 5/8 x 16 Gauge	27	STD541025	Nut, Hex 1/4-20
12	104213X	Nut, Cap 1/4- 20	28	STD551125	Washer, Lock 1/4
13	72140405	Bolt, Carriage 1/4-20 x 5/8	29	109227X	Pad, Idler
14	133035	V-Belt (Forward Motion)	30	23200404	Screw, Set, Socket, Headless C.P. 1/4-20 x 1/4
15	2614J	V-Belt (Reverse)			
16	23230506	Screw, Set, Socket, Headless C.P. 5/16-18 x 3/8	31	101189L	Sheave, Engine

NOTE: All component dimensions given in U.S. inches.
1 inch = 25.4 mm

REPAIR PARTS

5 HP 26" TILLER - - MODEL NUMBER 917.296351

WHEEL AND DEPTH STAKE ASSEMBLY



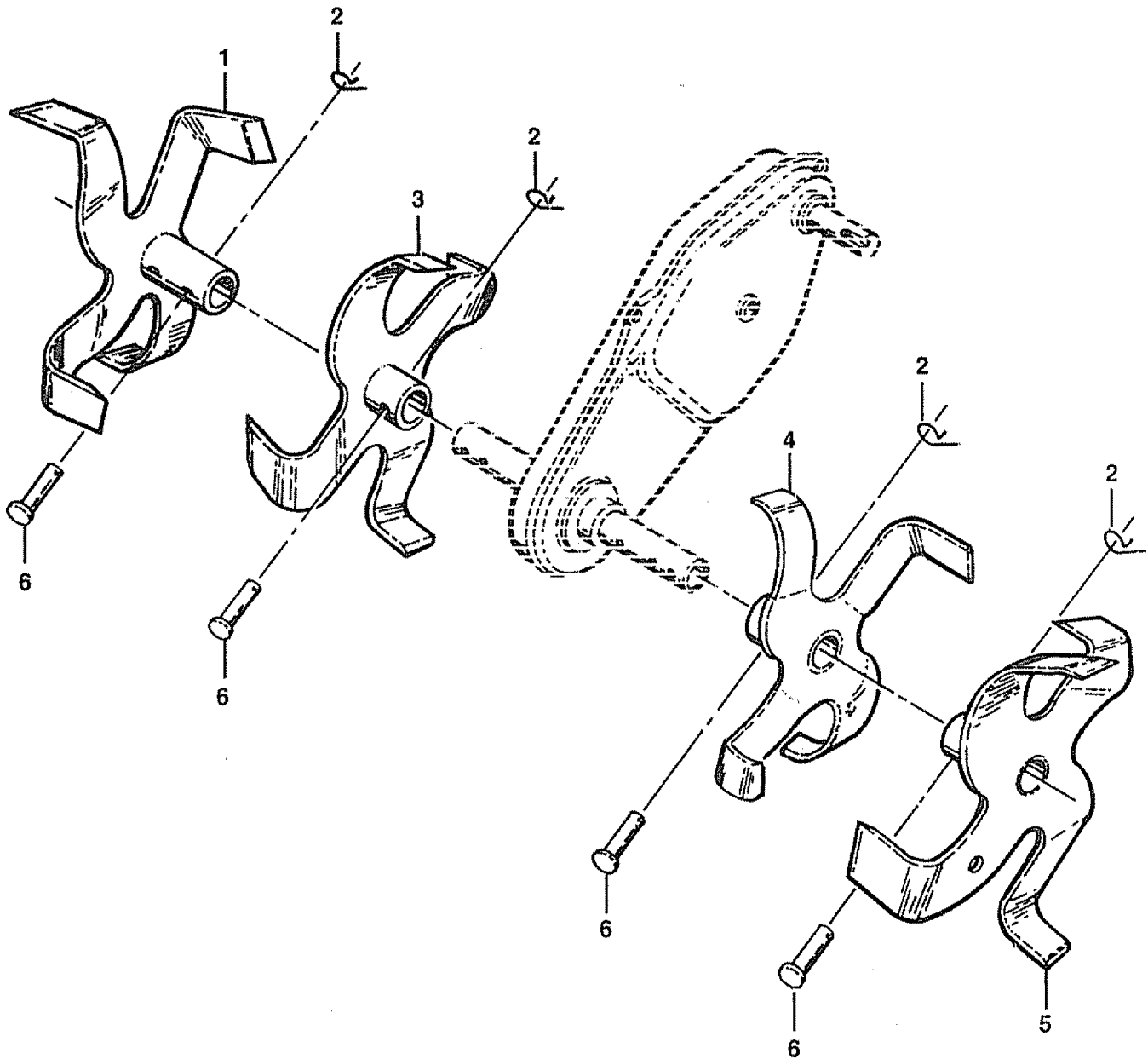
KEY NO.	PART NO.	DESCRIPTION	KEY NO.	PART NO.	DESCRIPTION
1	9194R	Pin, Clevis	12	74760524	Bolt, Hex 5/16-18 x 1-1/2 Grade 2
2	74760520	Bolt, Hex Head 5/16-18 x 1-1/4	13	1951J500	Support, Depth Stake, L.H.
3	STD523107	Bolt, Hex Head 5/16-18 x 3/4	14	120958X	Washer
4	STD541031	Nut, Hex 5/16-18	15	5388J	Spring, Stake
5	STD551131	Washer, Lock 5/16	16	121117X	Bolt, Shoulder
6	73800600	Locknut, w/washer 3/8-16	17	9188R	Wheel
7	4921H	Clip, Hairpin	18	STD551037	Washer 13/32 x 13/16 x 11 Gauge
8	1952J500	Support, Depth Stake, R.H.	19	9190R500	Bracket, Wheel
9	122233X	Stake, Depth	20	STD541437	Locknut, Crown 3/8-16
10	326J	Pin, Clevis	21	74760516	Bolt, Hex Head 5/16-18 x 1
11	74780628	Bolt, Fin, Hex 3/8-16 x 1-3/4	22	73800500	Locknut, w/insert 5/16-18

NOTE: All component dimensions given in U.S. inches.
1 inch = 25.4 mm

REPAIR PARTS

5 HP 26" TILLER - - MODEL NUMBER 917.296351

TINE ASSEMBLY



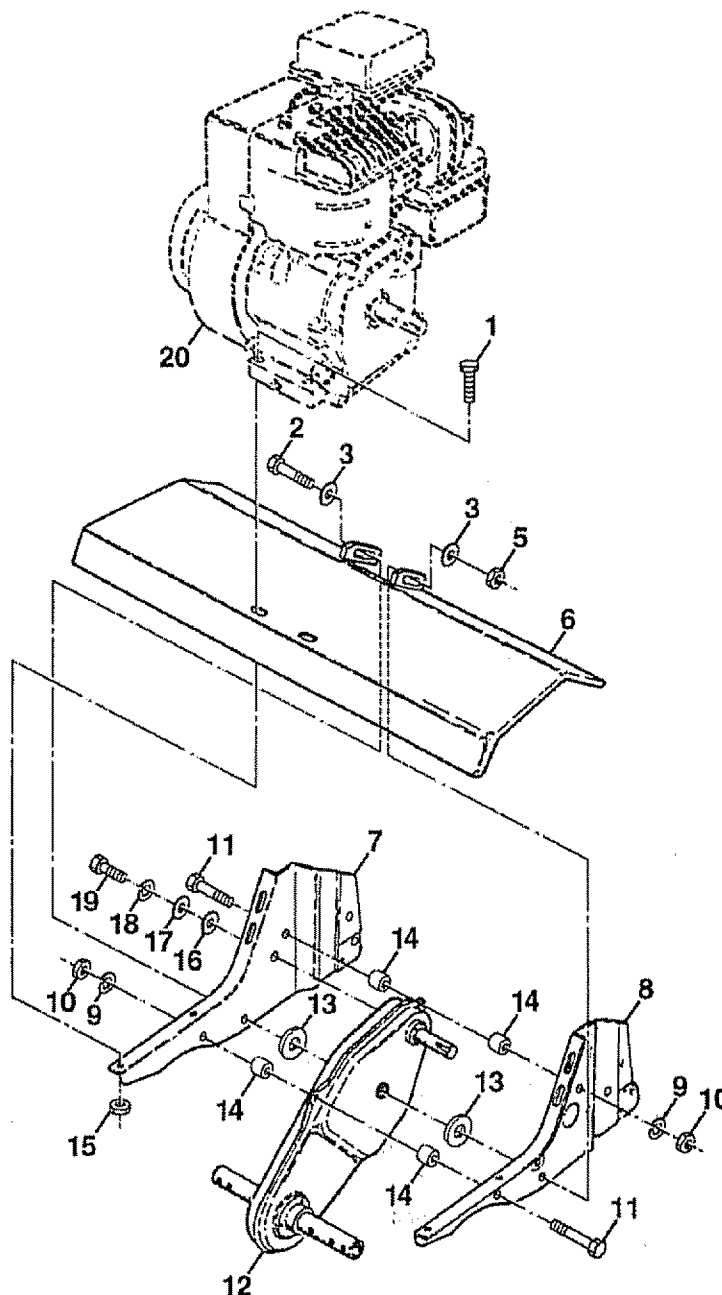
KEY NO.	PART NO.	DESCRIPTION
1	100746M	Tine, Outer, R.H.
2	STD624008	Clip, Hairpin
3	674A43	Tine, Inner, R.H.

KEY NO.	PART NO.	DESCRIPTION
4	674A42	Tine, Inner, L.H.
5	100744M	Tine, Outer, L.H.
6	4929H	Pin, Clevis

REPAIR PARTS

5 HP 26" TILLER - - MODEL NUMBER 917.296351

TRANSMISSION



KEY NO.	PART NO.	DESCRIPTION
1	74760524	Bolt, Hex 5/16-18 x 1-1/2 Grade 2
2	74780652	Bolt, Fin, Hex 3/8-16 x 3-1/4
3	STD551037	Washer 13/32 x 13/16 x 11
5	73800600	Locknut, w/washer 3/8-16
6	9057R459	Shield, Tine
7	1949J500	Bracket, Engine, R.H.
8	110519X500	Bracket, Engine, L.H.
9	STD551131	Washer, Lock 5/16
10	STD541031	Nut, Hex 5/16-18
11	74760544	Bolt, Hex Head 5/16-18 x 2-3/4
12	126669X	Transmission
13	19171616	Washer 17/32 x 1 x 16 Gauge

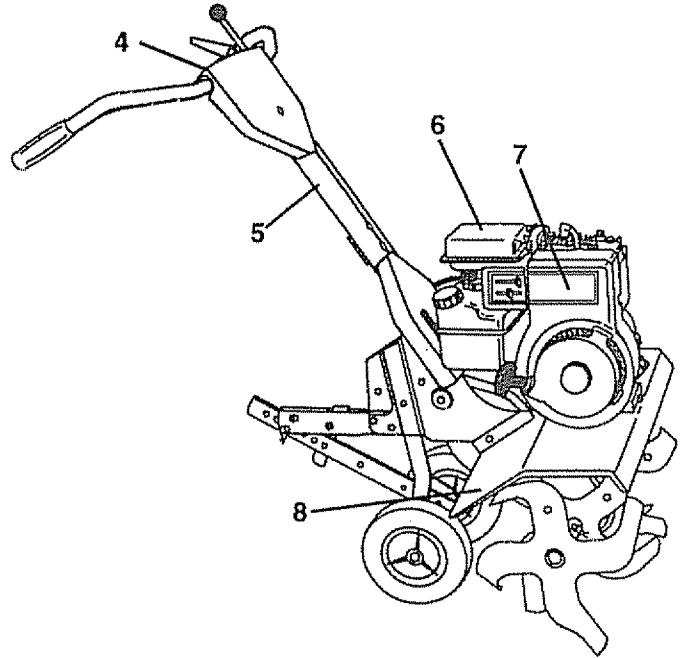
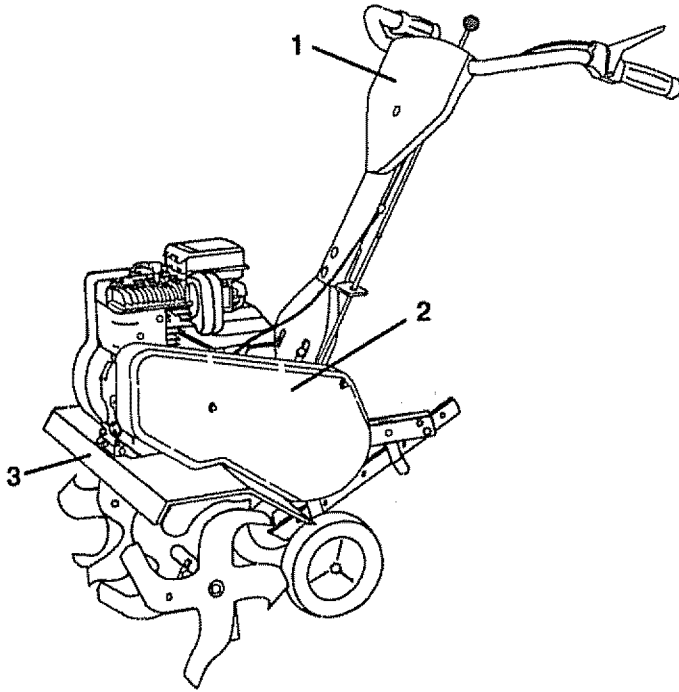
KEY NO.	PART NO.	DESCRIPTION
14	9173R	Spacer, Split
15	STD541431	Nut, Hex, Keps 5/16-18 UNC
16	19091412	Washer 9/32 x 7/8 x 12 Gauge
17	19092016	Washer 9/32 x 1-1/4 x 16 Gauge
18	STD551125	Washer, Lock 1/4
19	74610412	Bolt, Hex 1/4-28 x 3/4 Grade 5
20	137263	Engine, Briggs & Stratton, 5 HP, Model No. 135202, Type 0119-01

NOTE: All component dimensions given in U.S. inches.
1 inch = 25.4 mm

REPAIR PARTS

5 HP 26" TILLER - - MODEL NUMBER 917.296351

DECALS

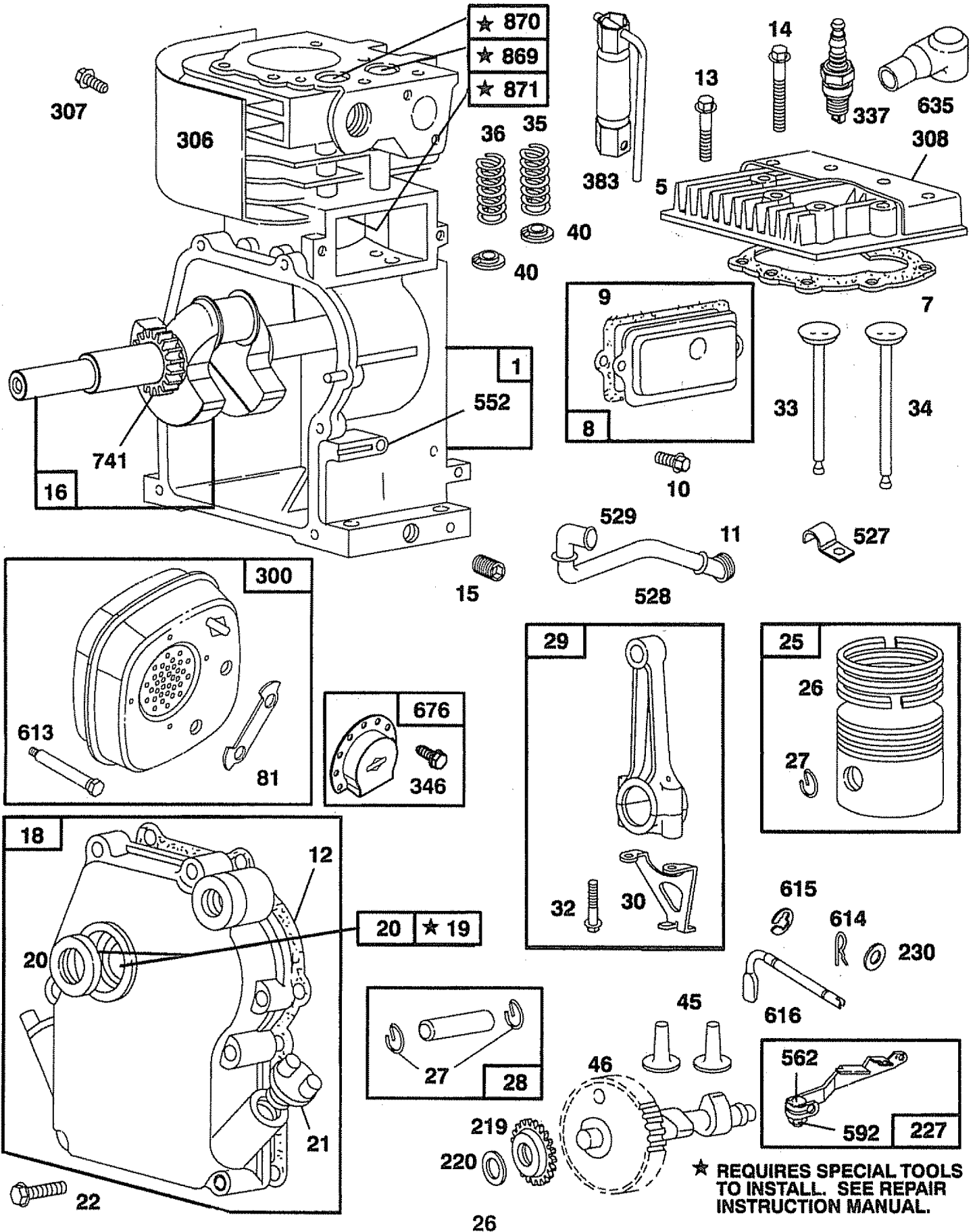


KEY NO.	PART NO.	DESCRIPTION
1	137742	Decal, Logo
2	133026	Decal, Logo
3	137737	Decal, Logo
4	137653	Decal, Caution, Tine Control
5	120431X	Decal, Hand Placement
6	110719X	Decal, Operation and Lubrication
7	132402	Decal, HP
8	120075X	Decal, Warning, Rotating Tines
--	141055	Manual, Owner's(English)
--	141056	Manual, Owner's(Spanish)

REPAIR PARTS

5 HP 26" TILLER - - MODEL NUMBER 917.296351

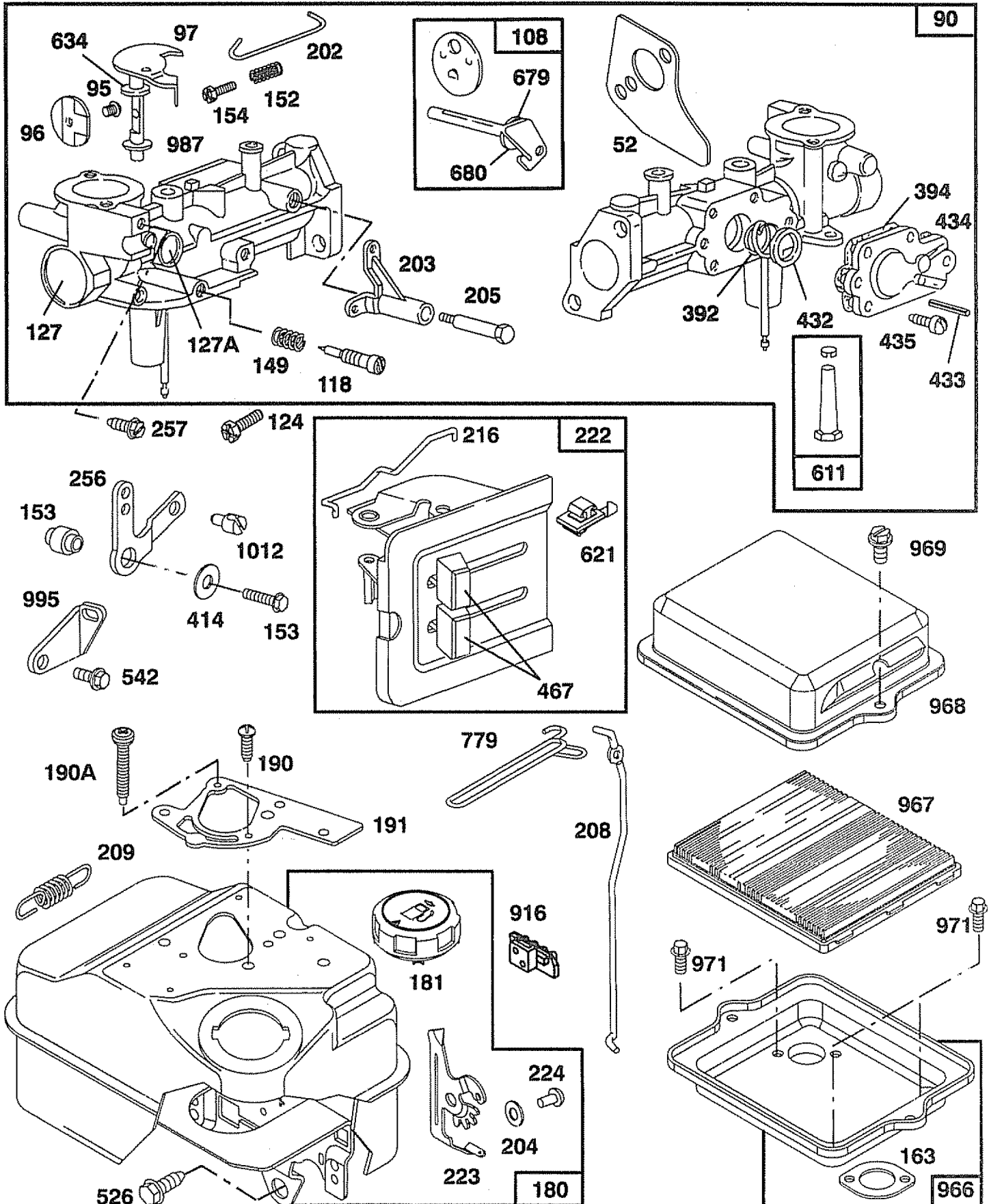
BRIGGS & STRATTON ENGINE - - MODEL NUMBER 135202, TYPE NO. 0119-01



REPAIR PARTS

5 HP 26" TILLER - - MODEL NUMBER 917.296351

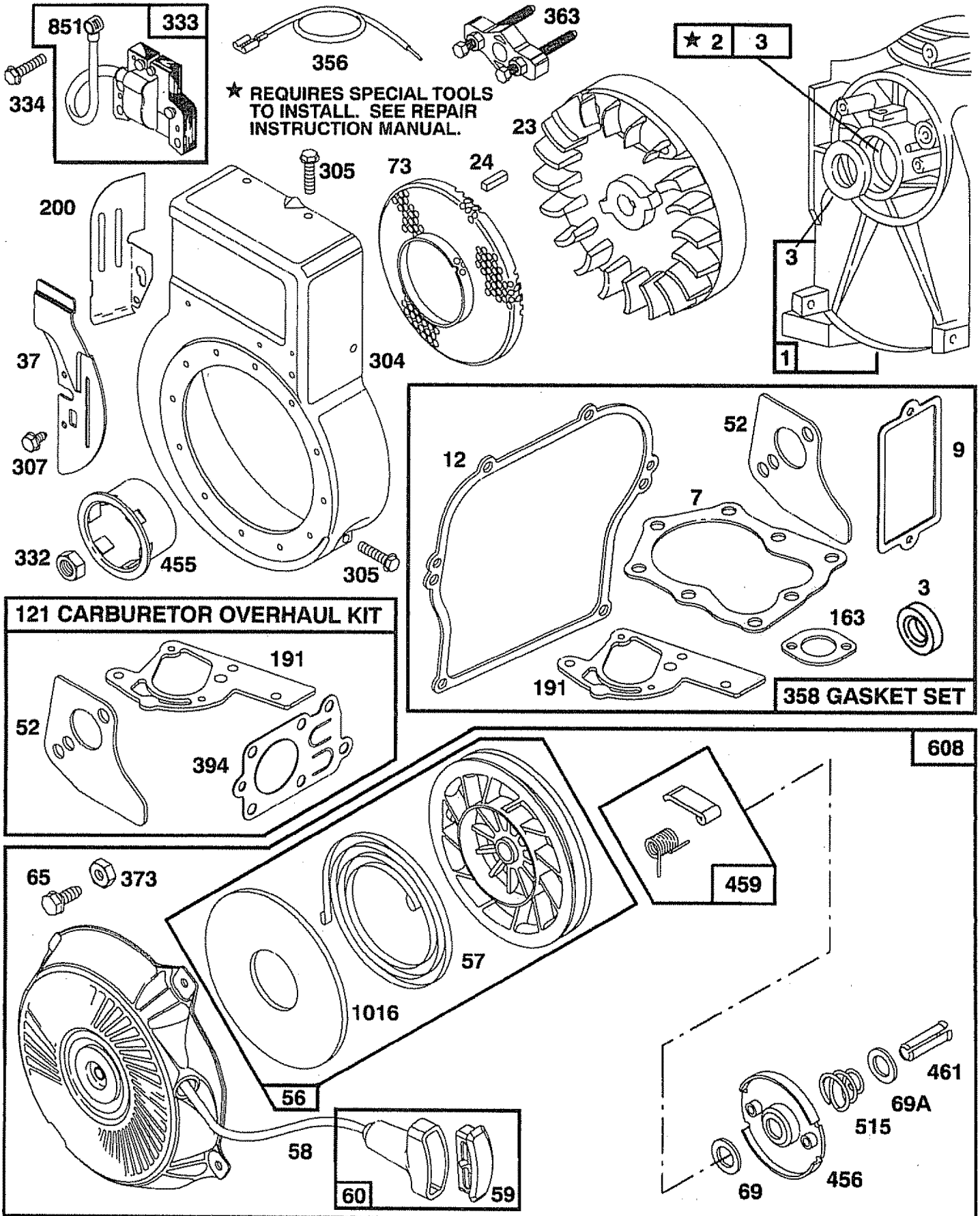
BRIGGS & STRATTON ENGINE - - MODEL NUMBER 135202, TYPE NO. 0119-01



REPAIR PARTS

5 HP 26" TILLER - - MODEL NUMBER 917.296351

BRIGGS & STRATTON ENGINE - - MODEL NUMBER 135202, TYPE NO. 0119-01



REPAIR PARTS

5 HP 26" TILLER - - MODEL NUMBER 917.296351

BRIGGS & STRATTON ENGINE - - MODEL NUMBER 135202, TYPE NO. 0119-01

KEY PART NO.	NO.	DESCRIPTION	KEY PART NO.	NO.	DESCRIPTION
1	395990	Cylinder Assembly	40	93312	Retainer, Intake Valve and Exhaust Spring
2	297565	Bushing, Cylinder	45	260642	Tappet, Valve
3	299819	* Seal, Oil	46	212733	Gear, Cam
5	214040	Head, Cylinder	52	271936	*** Gasket, Carburetor Mounting (2)
7	272157	* Gasket, Cylinder Head	55	494846	Housing, Rewind Starter
8	495774	Breather Assembly	56	493824	Pulley, Rewind Starter
9	27549	* Gasket, Valve Cover	57	262594	Spring, Rewind Starter
10	94621	Screw, Breather Mounting	58	280406	Rope, Rewind Starter
11	66578	Grommet, Breather Tube			(Cut to Required Length)
12	270080	* Gasket, Crankcase, Standard .015"	59	396892	Insert, Starter Handle
	270125	* Gasket, Crankcase .005" Thick	60	393152	Handle, Rewind Starter
	270126	* Gasket, Crankcase .009" Thick	65	94686	Screw, Housing Mounting
13	94221	Screw, Cylinder Head 2-3/32"	69	280973	Washer
14	94679	Screw, Cylinder Head 2-15/32"	69A	224322	Washer
15	93448	Plug, Pipe, Hex Socket	73	224632	Screen, Rotating
	94387	Plug, Oil Drain	81	222263	Lock, Screw
16	492088	Crankshaft	90	495426	Carburetor Assembly
	230978	Gear Pin, Crankshaft	95	93499	Screw, Throttle Valve to Shaft
18	297602	Cover Assembly, Crankcase	96	223793	Throttle, Carburetor
19	495660	Bushing, Crankcase Cover	97	490048	Shaft and Lever, Throttle
20	294606	* Seal, Oil	108	491177	Valve and Shaft Group, Choke
21	66768	Plug, Oil Filler	118	231533	Valve, Needle
22	94682	Screw, Cover Mounting	121	495606	Carburetor Overhaul Kit
23	297229	Flywheel, Magneto	124	94616	Screw, Hex Head
24	222698	Key, Flywheel	127	220352	Plug, Welch
25	298904	Piston Assembly, Standard Size	127A	223789	Plug, Welch
	298905	Piston Assembly .010" Oversize	149	26336	Spring, Needle Valve
	298906	Piston Assembly .020" Oversize	152	260575	Spring, Throttle Adjustment
	298907	Piston Assembly .030" Oversize	153	490589	Screw and Collar
26	298982	Ring Set, Piston, Standard Size	154	93527	Screw, Machine, Round Head
	299742	Ring Set, Piston, Standard, Chrome	163	271935	* Gasket, Air Cleaner Mounting
	298983	Ring Set, Piston .010" Oversize	180	495405	Tank Assembly, Fuel
	298984	Ring Set, Piston .020" Oversize	181	494559	Cap, Fuel Tank
	298985	Ring Set, Piston .030" Oversize	190	94712	Screw, Fuel Tank
27	26026	Lock, Piston Pin	190A	94677	Screw, Fuel Tank Mounting 1-3/4"
28	298909	Pin Assembly, Piston, Standard	191	272489	*** Gasket, Fuel Tank to Carburetor
	298908	Pin Assembly, Piston .005" Over	200	223886	Guide, Air
29	299430	Rod Assembly, Connecting	202	262270	Link, Throttle
	390459	Rod Assembly, Connecting .020" Undersize Crankpin Bore	203	280720	Bell Crank
30	221890	Dipper, Connecting Rod			
32	94745	Screw, Connecting Rod			
33	211119	Valve, Exhaust			
34	261044	Valve, Intake			
35	260552	Spring, Intake Valve			
36	26478	Spring, Exhaust Valve			
37	222443	Guard, Flywheel			

- * Included in Gasket Set (495603)
- ** Included in Carburetor Overhaul Kit (495606)
- *** Included in both Gasket Set (495603), and Carburetor Overhaul Kit (495606)

NOTE: All component dimensions given in U.S. inches
1 inch = 25.4 mm

SERVICE NOTES

SEARS
OWNER'S
MANUAL

MODEL NO.
917.296351

IF YOU NEED
REPAIR SERVICE
OR PARTS:

FOR REPAIR SERVICE, CALL
THIS TOLL FREE NUMBER:

1-800-4-REPAIR
(1-800-473-7247)

FOR REPLACEMENT PARTS
INFORMATION AND
ORDERING, CALL THIS
TOLL FREE NUMBER:

1-800-FON-PART
(1-800-366-7278)

CRAFTSMAN®
5.0 HP
26 INCH TINE WIDTH
FRONT TINE TILLER
WITH REVERSE

Each tiller has its own model number. Each engine has its own model number.

The model number for your tiller will be found on a plate attached to the right hand engine bracket.

The model number for your engine will be found on the blower housing of the engine.

All parts listed herein may be ordered from any Sears, Roebuck and Co. Service Center/Department and most Retail Stores.

WHEN ORDERING REPAIR PARTS, ALWAYS GIVE THE FOLLOWING INFORMATION:

- **PRODUCT - FRONT TINE TILLER**
- **MODEL NUMBER - 917.296351**
- **ENGINE MODEL NUMBER - 135202, TYPE NUMBER 0119-01**
- **PART NUMBER**
- **PART DESCRIPTION**

Your Sears merchandise has added value when you consider Sears has service units nationwide staffed with Sears trained technicians... professional technicians specifically trained to insure that we meet our pledge to you, we service what we sell.

Sears, Roebuck and Co., Hoffman Estates, IL 60179 U.S.A.