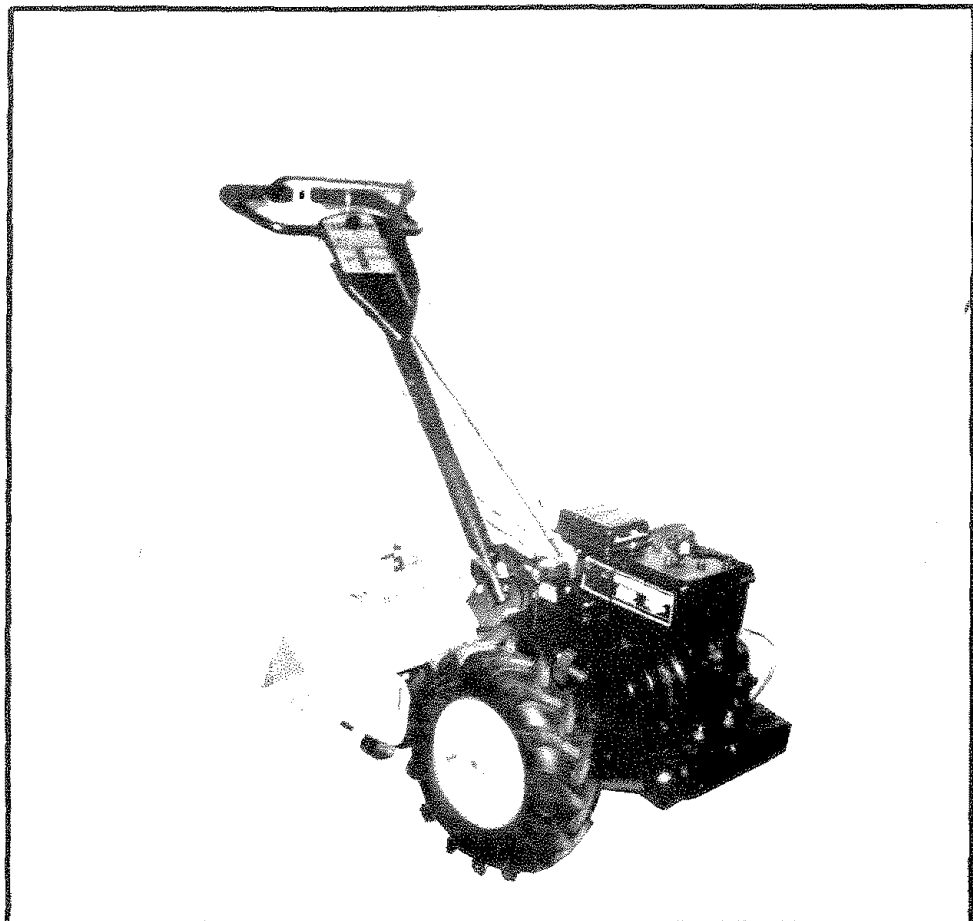


SEARS

**OWNER'S
MANUAL**

**MODEL NO.
917.299691**

Caution:
Read and follow
all Safety Rules
and Instructions
Before Operating
This Equipment



CRAFTSMAN[®]

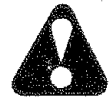
5.0 HP

**17 INCH TINE WIDTH
COUNTER ROTATING TINES
REAR TINE TILLER**

- Assembly
- Operation
- Maintenance
- Service and Adjustment
- Repair Parts



SAFETY RULES



Safe Operation Practices for Walk-Behind Powered Rotary Tillers

TRAINING

- Read the operating and service instruction manual carefully. Be thoroughly familiar with the controls and the proper use of the equipment. Know how to stop the unit and disengage the controls quickly.
- Never allow children to operate the equipment. Never allow adults to operate the equipment without proper instruction.
- Keep the area of operation clear of all persons, particularly small children, and pets.

PREPARATION

- Thoroughly inspect the area where the equipment is to be used and remove all foreign objects.
- Disengage all clutches and shift into neutral before starting the engine (motor).
- Do not operate the equipment without wearing adequate outer garments. Wear footwear that will improve footing on slippery surfaces.
- Handle fuel with care; it is highly flammable.
 - Use an approved fuel container.
 - Never add fuel to a running engine or hot engine.
 - Fill fuel tank outdoors with extreme care. Never fill fuel tank indoors.
 - Replace gasoline cap securely and clean up spilled fuel before restarting.
- Use extension cords and receptacles as specified by the manufacturer for all units with electric drive motors or electric starting motors.
- Never attempt to make any adjustments while the engine (motor) is running (except where specifically recommended by manufacturer).

OPERATION

- Do not put hands or feet near or under rotating parts.
- Exercise extreme caution when operating on or crossing gravel drives, walks, or roads. Stay alert for hidden hazards or traffic. Do not carry passengers.
- After striking a foreign object, stop the engine (motor), remove the wire from the spark plug, thoroughly inspect the tiller for any damage, and repair the damage before restarting and operating the tiller.
- Exercise caution to avoid slipping or falling.
- If the unit should start to vibrate abnormally, stop the engine (motor) and check immediately for the cause. Vibration is generally a warning of trouble.

- Stop the engine (motor) when leaving the operating position, before unclogging the tines, and when making any repair, adjustments, and inspections.
- Take all possible precautions when leaving the machine unattended. Disengage the power take-off, lower the attachment, shift into neutral, stop the engine, and remove the key.
- Before cleaning, repairing, or inspecting, shut off the engine and make certain all moving parts have stopped. Disconnect the spark plug wire, and keep the wire away from the plug to prevent accidental starting. Disconnect the cord on electric motors.
- Do not run the engine indoors; exhaust fumes are dangerous.
- Never operate the tiller without proper guards, plates, or other safety protective devices in place.
- Keep children and pets away.
- Do not overload the machine capacity by attempting to till too deep at too fast a rate.
- Never operate the machine at high speeds on slippery surfaces. Look behind and use care when backing.
- Never allow bystanders near the unit.
- Use only attachments and accessories approved by the manufacturer of the tiller (such as wheel weights, counterweights, cabs, and the like).
- Never operate the tiller without good visibility or light.
- Be careful when tilling in hard ground. The tines may catch in the ground and propel the tiller forward. If this occurs, let go of the handlebars and do not restrain the machine.

MAINTENANCE AND STORAGE

- Keep machine, attachments, and accessories in safe working condition.
- Check shear bolts, engine mounting bolts, and other bolts at frequent intervals for proper tightness to be sure the equipment is in safe working condition.
- Never store the machine with fuel in the fuel tank inside a building where ignition sources are present, such as hot water and space heaters, clothes dryers, and the like. Allow the engine to cool before storing in any enclosure.
- Always refer to the operator's guide instructions for important details if the tiller is to be stored for an extended period.

-IMPORTANT -

Cautions, Important, and Notes are a means of attracting attention to important or critical information in this manual.



CAUTION: Look for this symbol to point out important safety precautions. It means -- Attention! Become Alert! Your safety is involved.

IMPORTANT: USED TO ALERT YOU THAT THERE IS A POSSIBILITY OF DAMAGING THIS EQUIPMENT.

NOTE: Gives essential information that will aid you to better understand, incorporate, or execute a particular set of instructions.

CONGRATULATIONS on your purchase of a Sears Tiller. It has been designed, engineered and manufactured to give you the best possible dependability and performance.

If you experience any problems you cannot easily remedy, please contact your nearest authorized Service Center/Department. They have competent, well-trained technicians and the proper tools to service or repair this tiller.

Please read and retain this manual. The instructions will enable you to assemble and maintain your tiller properly. Always observe the "SAFETY RULES".

MODEL
NUMBER 917.299691

SERIAL
NUMBER _____

DATE OF
PURCHASE _____

THE MODEL AND SERIAL NUMBERS WILL BE FOUND ON THE MODEL PLATE ATTACHED TO THE TOP OF THE TRANSMISSION.

YOU SHOULD RECORD BOTH SERIAL NUMBER AND DATE OF PURCHASE AND KEEP IN A SAFE PLACE FOR FUTURE REFERENCE.

PRODUCT SPECIFICATIONS

HORSEPOWER:	5.0 H.P.
DISPLACEMENT:	12.57 cu. in.
GASOLINE CAPACITY:	3 QUART (UNLEADED)
OIL (20 OZ. CAPACITY):	SAE 30W (SAE 10W 30)
SPARK PLUG (GAP .030 IN.):	Champion RJ19LM

MAINTENANCE AGREEMENT

A Sears Maintenance Agreement is available on this product. Contact your nearest Sears store for details.

CUSTOMER RESPONSIBILITIES

- Read and observe the safety rules.
- Follow a regular schedule in maintaining, caring for and using your tiller.
- Follow the instructions under "Maintenance" and "Storage" sections of this Owner's Manual.

LIMITED ONE YEAR WARRANTY ON CRAFTSMAN TILLER

For one year from date of purchase, when this Craftsman Tiller is maintained, lubricated, and tuned up according to the operating and maintenance instructions in the owner's manual, Sears will repair free of charge any defect in material or workmanship.

This Warranty does not cover:

- Expendable items which become worn during normal use, such as tines, spark plugs, air cleaners and belts.
- Repairs necessary because of operator abuse or negligence, including bent crankshafts and the failure to maintain the equipment according to the instructions contained in the owner's manual.
- If this Craftsman Tiller is used for commercial or rental purposes, this Warranty applies for only 30 days from the date of purchase.

WARRANTY SERVICE IS AVAILABLE BY RETURNING THE CRAFTSMAN TILLER TO THE NEAREST SEARS SERVICE CENTER/DEPARTMENT IN THE UNITED STATES. THIS WARRANTY APPLIES ONLY WHILE THIS PRODUCT IS IN USE IN THE UNITED STATES.

This Warranty gives you specific legal rights, and you may also have other rights which vary from state to state.

SEARS, ROEBUCK AND CO., D/731CR-W SEARS TOWER, CHICAGO, IL 60684

-NOTE-

This unit is equipped with an internal combustion engine and should not be used on or near any unimproved forest-covered, brush-covered or grass covered land unless the engine's exhaust system is equipped with a spark arrester meeting applicable local or state laws (if any). If a spark arrester is used, it should be maintained in effective working order by the operator.

In the state of California the above is required by law (Section 4442 of the California Public Resources Code). Other states may have similar laws. Federal laws apply on federal lands. See your Sears Authorized Service Center for spark arrester. Refer to page 33 of Repair Parts section of this manual for part number.

TABLE OF CONTENTS

SAFETY RULES	2	MAINTENANCE	13-15
CUSTOMER RESPONSIBILITIES	3	MAINTENANCE SCHEDULE	13
PRODUCT SPECIFICATIONS	3	SERVICE & ADJUSTMENTS	15-18
WARRANTY	3	STORAGE	19
ACCESSORIES	5	TROUBLESHOOTING	20
ASSEMBLY	6-8	REPAIR PARTS-TILLER	21-26
OPERATION	9-12	REPAIR PARTS-ENGINE	27-31


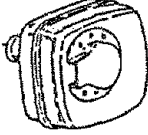




INDEX

<p style="text-align: center;">A</p> <p>Accessories 5</p> <p>Adjustments:</p> <p style="padding-left: 20px;">Depth Stake 10</p> <p style="padding-left: 20px;">Ground Drive Belt 16</p> <p style="padding-left: 20px;">Handle Height 15</p> <p style="padding-left: 20px;">Throttle 18</p> <p style="padding-left: 20px;">Tines 17</p> <p>Air Cleaner:</p> <p style="padding-left: 20px;">Maintenance 14</p> <p style="text-align: center;">B</p> <p>Belt:</p> <p style="padding-left: 20px;">Guard 16</p> <p style="padding-left: 20px;">Ground Drive 16</p> <p style="padding-left: 20px;">Repair Parts 22</p> <p style="text-align: center;">C</p> <p>Cooling System:</p> <p style="padding-left: 20px;">Maintenance 14</p> <p>Controls:</p> <p style="padding-left: 20px;">Choke 9</p> <p style="padding-left: 20px;">Drive 9</p> <p style="padding-left: 20px;">Throttle 9</p> <p>Cultivating:</p> <p style="padding-left: 20px;">Operation 12</p> <p style="text-align: center;">D</p> <p>Depth Stake:</p> <p style="padding-left: 20px;">Adjustment 10</p> <p style="padding-left: 20px;">Repair Parts 25</p> <p style="text-align: center;">E</p> <p>Engine:</p> <p style="padding-left: 20px;">Air Cleaner 14</p> <p style="padding-left: 20px;">Cooling System 14</p> <p style="padding-left: 20px;">Fuel Type 11</p> <p style="padding-left: 20px;">Lubrication 14</p> <p style="padding-left: 20px;">Oil Level 11</p> <p style="padding-left: 20px;">Oil Type 11,14</p> <p style="padding-left: 20px;">Spark Plug 15</p> <p style="padding-left: 20px;">Starting 12</p> <p style="padding-left: 20px;">Stopping 10</p> <p style="padding-left: 20px;">Storage 19</p> <p style="padding-left: 20px;">Winter Operation 14</p>	<p style="text-align: center;">F</p> <p>Fuel:</p> <p style="padding-left: 20px;">Filling Tank 11</p> <p style="padding-left: 20px;">Storage 19</p> <p style="padding-left: 20px;">Type 11</p> <p>Finish:</p> <p style="padding-left: 20px;">Maintenance 15</p> <p style="text-align: center;">H</p> <p>Handle:</p> <p style="padding-left: 20px;">Height Adjustment 15</p> <p style="padding-left: 20px;">Repair Parts 21</p> <p style="text-align: center;">L</p> <p>Lubrication:</p> <p style="padding-left: 20px;">Lubrication Chart 13</p> <p style="padding-left: 20px;">Engine 14</p> <p style="text-align: center;">M</p> <p>Maintenance:</p> <p style="padding-left: 20px;">Air Cleaner 14</p> <p style="padding-left: 20px;">Cooling System 14</p> <p style="padding-left: 20px;">Finish 15</p> <p style="padding-left: 20px;">Maintenance Schedule 13</p> <p style="padding-left: 20px;">Muffler 15</p> <p style="padding-left: 20px;">Oil Change 14</p> <p style="padding-left: 20px;">Spark Plug 15</p> <p style="padding-left: 20px;">Transmission 15</p> <p>Muffler:</p> <p style="padding-left: 20px;">Maintenance 15</p> <p style="padding-left: 20px;">Spark Arrester 3,31</p> <p style="text-align: center;">O</p> <p>Oil:</p> <p style="padding-left: 20px;">Level 11</p> <p style="padding-left: 20px;">Type 11,14</p> <p>Operation:</p> <p style="padding-left: 20px;">Cultivating 12</p> <p style="padding-left: 20px;">Fill Fuel Tank 11</p> <p style="padding-left: 20px;">Start Engine 12</p> <p style="padding-left: 20px;">Stopping Tines & Engine 10</p> <p style="padding-left: 20px;">Tilling 10,12</p> <p style="padding-left: 20px;">Tilling Hints 12</p> <p style="padding-left: 20px;">Tine Operation 10</p> <p style="padding-left: 20px;">Transporting Tiller 11</p> <p style="padding-left: 20px;">Winter Operation 14</p>	<p style="text-align: center;">R</p> <p>Repair Parts:</p> <p style="padding-left: 20px;">Tiller & Engine 21-31</p> <p>Rules for Safe Operation 2</p> <p style="text-align: center;">S</p> <p>Service & Adjustments:</p> <p style="padding-left: 20px;">Belt Guard 16</p> <p style="padding-left: 20px;">Ground Drive Belt 16</p> <p style="padding-left: 20px;">Handle Height 15</p> <p style="padding-left: 20px;">Throttle Control 18</p> <p style="padding-left: 20px;">Tines 17</p> <p>Service:</p> <p style="padding-left: 20px;">Maintenance Schedule 13</p> <p style="padding-left: 20px;">Repair Parts 21-31</p> <p>Spark Plug:</p> <p style="padding-left: 20px;">Gap 3</p> <p style="padding-left: 20px;">Maintenance 15</p> <p>Storage:</p> <p style="padding-left: 20px;">Fuel System 19</p> <p style="padding-left: 20px;">Tiller 19</p> <p style="text-align: center;">T</p> <p>Throttle:</p> <p style="padding-left: 20px;">Control Adjustment 18</p> <p>Tilling:</p> <p style="padding-left: 20px;">Operation 10,12</p> <p>Tines:</p> <p style="padding-left: 20px;">Operation 10</p> <p style="padding-left: 20px;">Repair Parts 26</p> <p style="padding-left: 20px;">Replacement 17</p> <p>Tires:</p> <p style="padding-left: 20px;">Removal/Replacement 15</p> <p style="padding-left: 20px;">Repair Parts 22,23</p> <p>Transmission:</p> <p style="padding-left: 20px;">Maintenance 15</p> <p style="padding-left: 20px;">Repair Parts 24</p> <p>Troubleshooting:</p> <p style="padding-left: 20px;">Chart 20</p> <p>Transporting:</p> <p style="padding-left: 20px;">Operation 11</p> <p style="text-align: center;">W</p> <p>Warranty:</p> <p style="padding-left: 20px;">Tiller 3</p>
--	--	---

TILLER ACCESSORIES

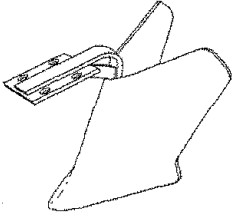
THESE ACCESSORIES WERE AVAILABLE WHEN THE TILLER WAS PURCHASED. THEY ARE ALSO AVAILABLE AT MOST SEARS RETAIL OUTLETS, CATALOG AND SERVICE CENTERS. MOST SEARS STORES CAN ORDER REPAIR PARTS FOR YOU WHEN YOU PROVIDE THE MODEL NUMBER OF YOUR TILLER.

ENGINE





PARK PLUG	MUFFLER	AIR FILTER	GAS CAN	ENGINE OIL	STABILIZER
					

TILLER PERFORMANCE

FURROW OPENER



TILLER MAINTENANCE

BELT	TINES	CLEVIS PIN	HAIRPIN CLIP
			

ASSEMBLY

TO ASSEMBLE YOUR TILLER YOU WILL NEED:

- (1) utility knife
- (1) wire cutter
- (1) tire pressure gauge
- (1) pair of pliers
- (1) screwdriver
- (1) 9/16" wrench (or adjustable wrench) or
- (1) ratchet
- (1) socket extension
- (1) 9/16" socket

OPERATOR'S POSITION (See Fig. 1)

The right hand (R.H.) and left hand (L.H.) sides of your tiller are determined from the operator's position while standing behind tiller.

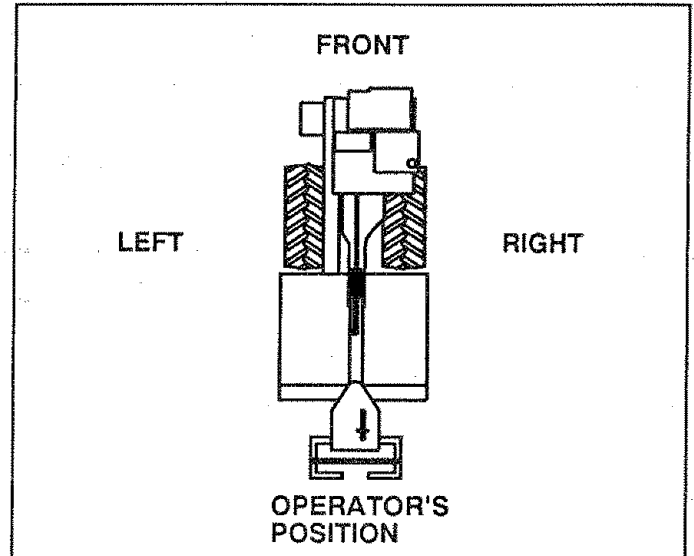


FIGURE 1

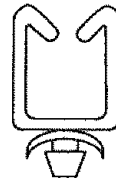
CONTENTS OF HARDWARE PACK



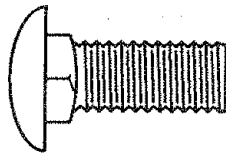
(1) Owner's Manual



(2) Hairpin Clips



(1) Cable Clip



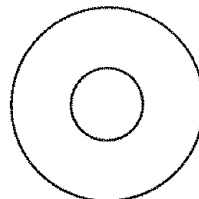
(2) Carriage Bolts 3/8-16 UNC x 1 Gr. 5



(2) Center Locknuts 3/8-16 UNC



(1) Handle Lock Lever



(1) Flat Washer 13/32 x 1 x 11 Ga.



(2) Handle Locks

ASSEMBLY

UNPACKING CARTON (See Fig. 2)



CAUTION: Be careful of exposed staples when handling or disposing of cartoning material.

IMPORTANT: WHEN UNPACKING AND ASSEMBLING MILLER, BE CAREFUL NOT TO STRETCH OR KINK CABLES.

While holding handle assembly, cut cable ties securing handle assembly to top frame and depth stake. Let handle assembly rest on tiller.

Remove top frame of carton.

Slowly ease handle assembly up and place upside down on top of carton.

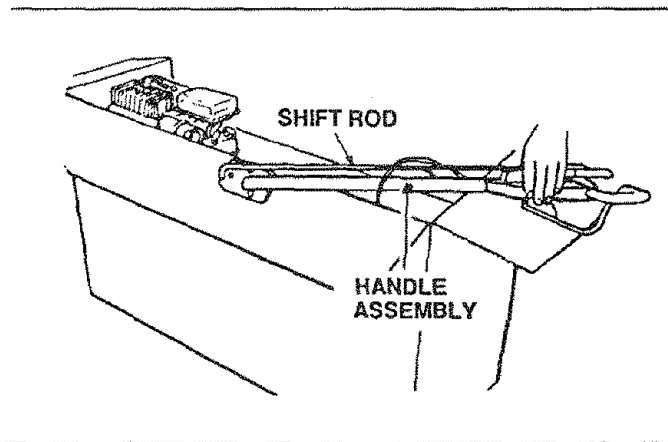


FIG. 2

- Cut down right hand front and right hand rear corners of carton, lay side carton wall down.
- Remove packing material from handle assembly.
- Separate shift rod from handle assembly.

INSTALL HANDLE (See Figs. 3, 4, and 5)

- Insert one handle lock (with teeth facing outward) in gearcase notch. (Apply grease on smooth side of handle lock to aid in keeping lock in place until handle assembly is lowered into position.)

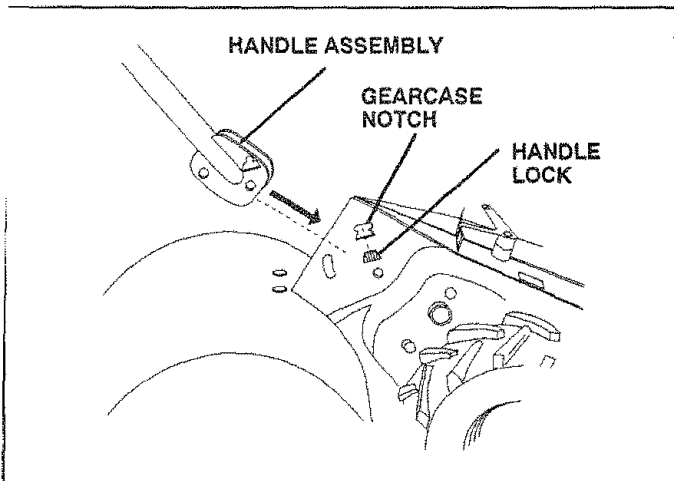


FIG. 3

- Grasp handle assembly. Hold in "up" position. Be sure handle lock remains in gearcase notch. Slide handle assembly into position.

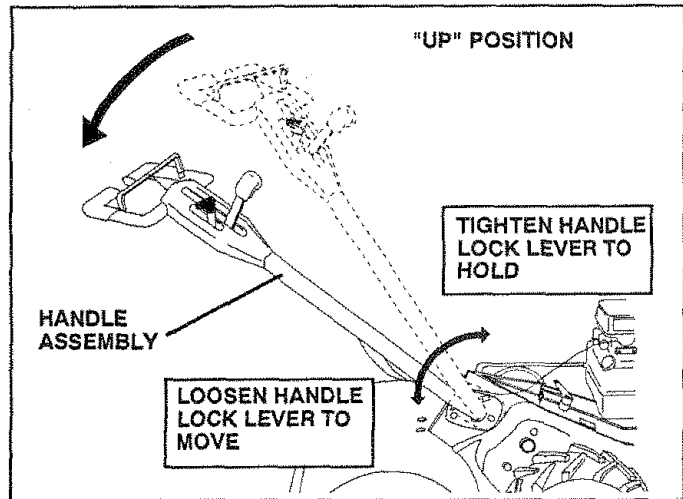


FIG. 4

- Rotate handle assembly down to install two carriage bolts and locknuts. Insert rear carriage bolt (Fig. 5) first, with head of bolt on L.H. side of tiller. Lower the handle assembly. Tighten bolts so handle moves with some resistance.
- Insert second handle lock (with teeth inward) in the slot of the handle base.
- Place flat washer on threaded end of handle lock lever.
- Insert handle lock lever through handle base and gearcase.
- With handle assembly in lowest position, securely tighten handle lock lever by rotating clockwise. Leaving handle assembly in lowest position will make it easier to remove tiller from carton.

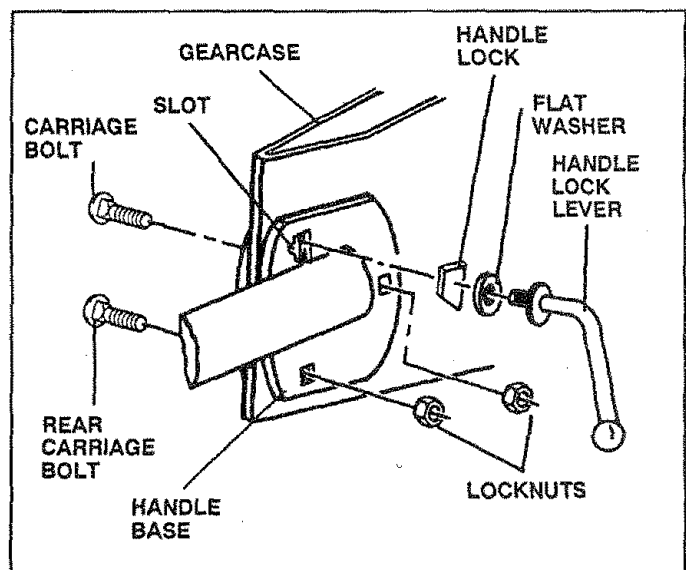


FIG. 5

ASSEMBLY

CONNECT SHIFT ROD (See Fig. 6, 7 & 8)

- Insert end of shift rod farthest from bend into hole of shift lever indicator.
- Insert hairpin clip through hole of shift rod to secure.
- Insert other end of shift rod into hole in shift lever.
- Insert second hairpin clip through hole of shift rod.

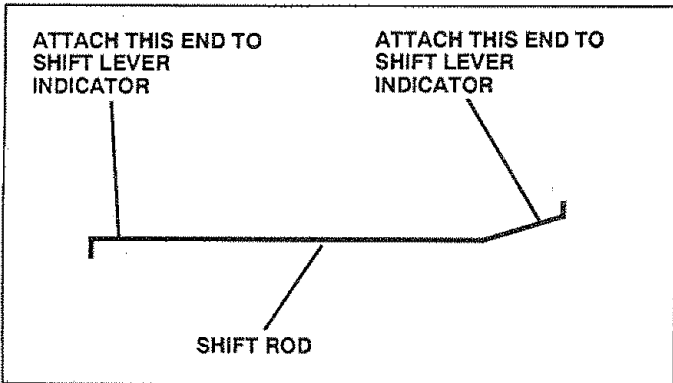


FIG. 6

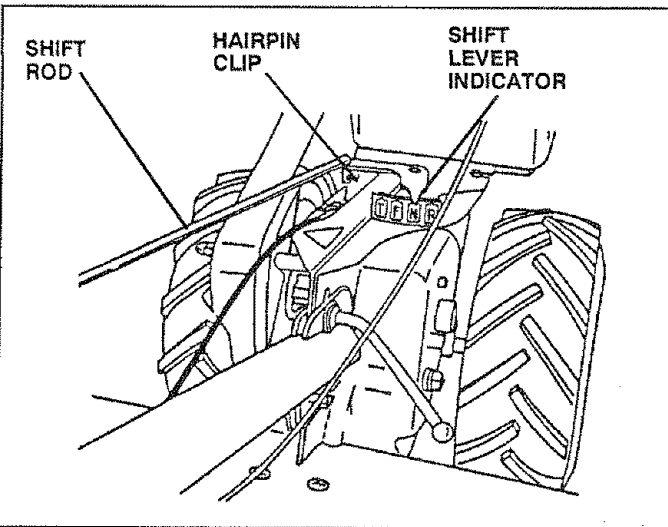


FIG. 7

REMOVE TILLER FROM CRATE

- Make sure shift lever indicator is in "N" position (See Fig. 7)
- Tilt tiller forward by lifting handle. Separate cardboard cover from leveling shield.
- Rotate tiller handle to the right and pull tiller out of carton.

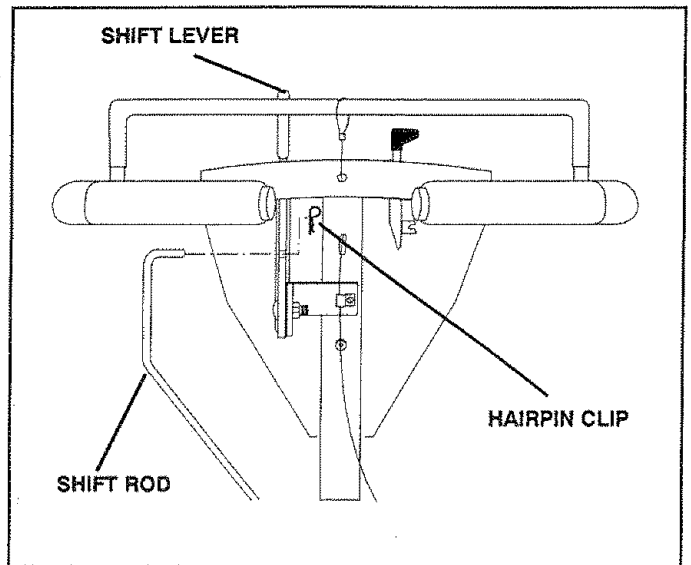


FIG. 8

CHECK TIRE PRESSURE

The tires on your unit were overinflated at the factory for shipping purposes. Correct and equal tire pressure is important for best tilling performance.

- Reduce tire pressure to 20 PSI.

CABLE CLIP (See Fig. 9)

Insert plastic cable clip into hole on the back of handle column. Push cables into clip.

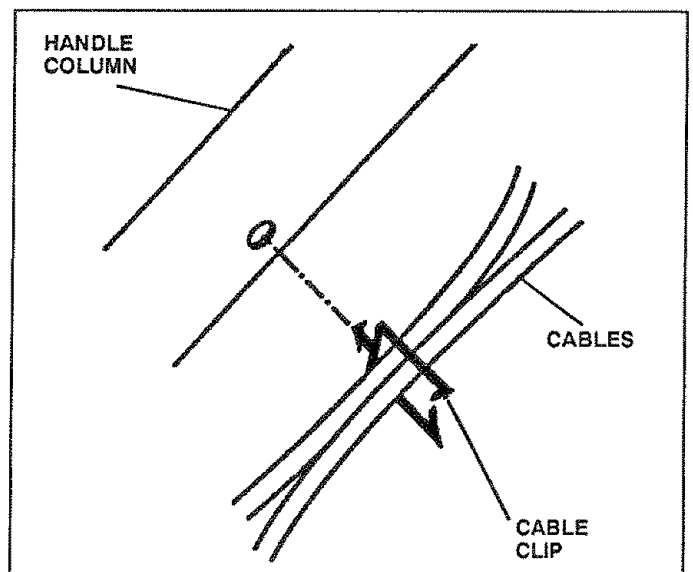


FIG. 9

HANDLE HEIGHT

- Handle height may be adjusted to better suit operator (See "TO ADJUST HANDLE HEIGHT" in the Service and Adjustments section of this manual).

OPERATION

KNOW YOUR TILLER

READ THIS OWNER'S MANUAL AND SAFETY RULES BEFORE OPERATING YOUR TILLER.

Compare the illustrations with your tiller to familiarize yourself with the location of various controls and adjustments. Save this manual for future reference.

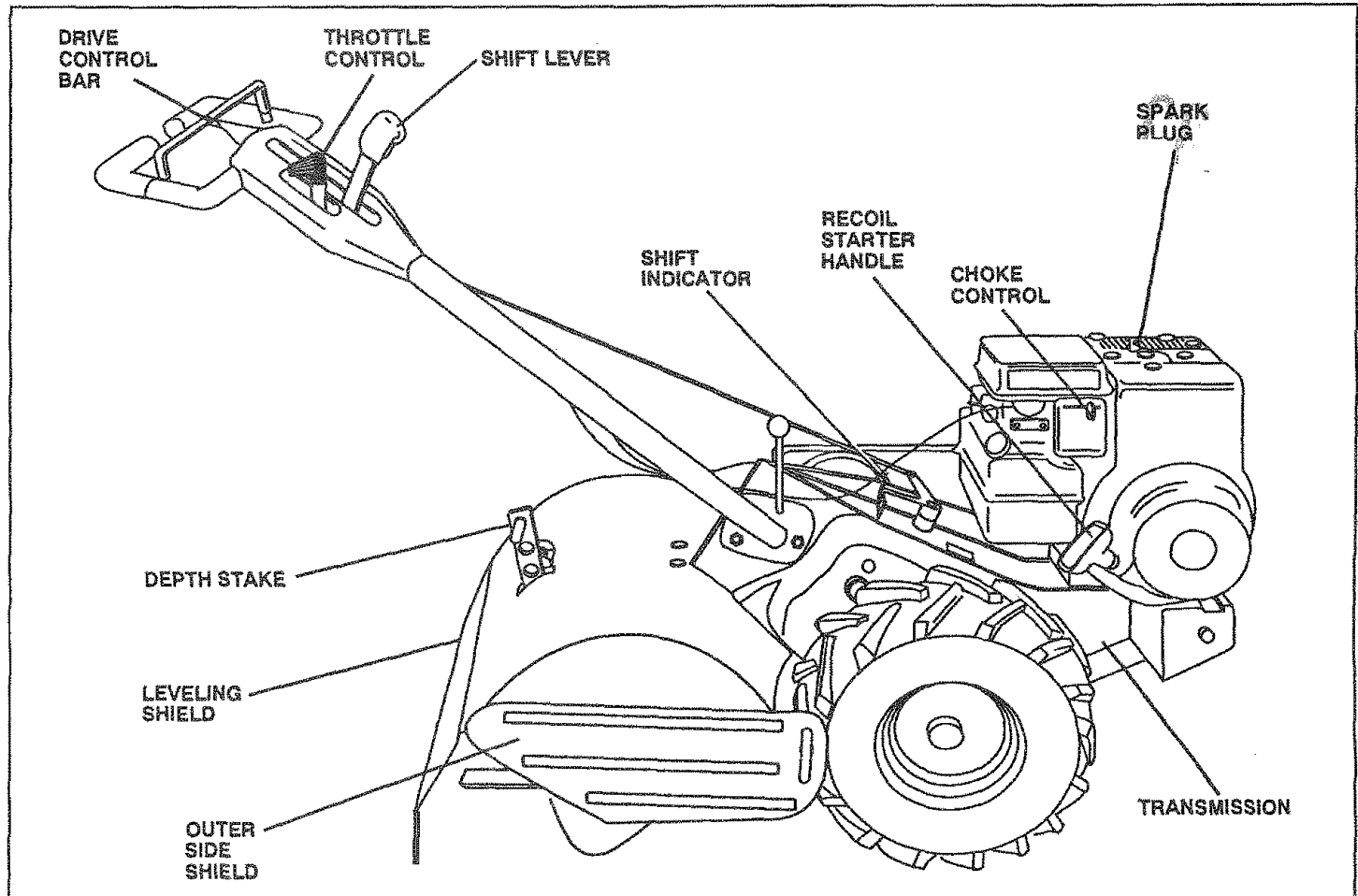


FIGURE 10

MEETS ANSI SAFETY REQUIREMENTS

Our tillers conform to the safety standards of the American National Standards Institute.

THROTTLE CONTROL - is used to control engine speed.

DRIVE CONTROL BAR - is used to engage tiller.

DEPTH STAKE - controls depth at which tiller will dig.

LEVELING SHIELD - protects small plants from being buried.

CHOKE CONTROL - is used when starting a cold engine

SHIFT LEVER - is used to shift transmission gears.

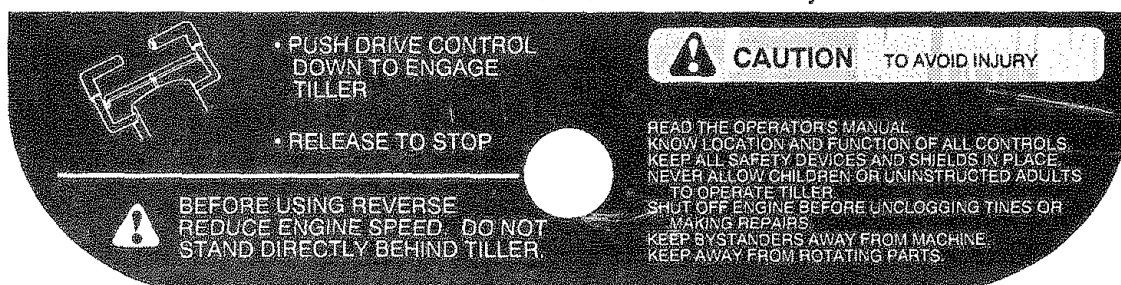
SHIFT LEVER INDICATOR - shows which gear the tiller is currently in.

RECOIL STARTER HANDLE - is used to start the engine.

OUTER SIDE SHIELD - is adjustable for protecting small plants from being buried.

SAFETY DECAL

The decal shown below is located on the handle of your tiller.



OPERATION



The operation of any tiller can result in foreign objects thrown into the eyes, which can result in severe eye damage. Always wear safety glasses or eye shields before starting your tiller and while tilling. We recommend wide vision safety mask for over the spectacles or standard safety glasses.

HOW TO USE YOUR TILLER

Know how to operate all controls before adding fuel and oil or attempting to start engine.

STOPPING (See Fig. 11)

TINES AND DRIVE -

- Release drive control bar to stop movement.
- Move shift lever to "N" neutral position.

ENGINE -

- Move throttle control to "STOP" position.
- Never use choke to stop engine.

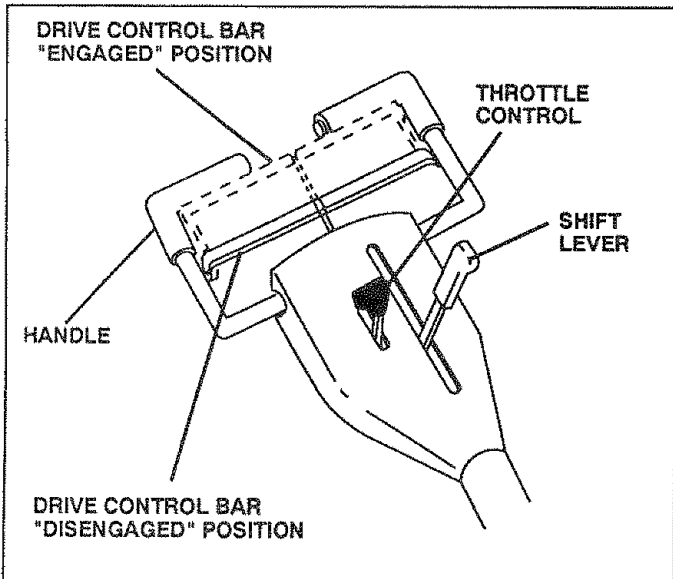


FIG. 11

TINE OPERATION - WITH WHEEL DRIVE

- Always release drive control bar before moving shift lever into another position.
- Tine movement is achieved by moving shift lever to "T" position and engaging drive control bar.

FORWARD - WHEELS ONLY/TINES STOPPED

- Release drive control bar and move shift lever indicator to "F" position. Engage drive control bar and tiller will move forward.

REVERSE - WHEELS ONLY/TINES STOPPED

- DO NOT STAND DIRECTLY BEHIND TILLER.
- Release the drive control bar.
- Move throttle control to "SLOW" position.
- Move shift lever indicator to "R" position.
- Hold drive control bar against the handle to start tiller movement.

DEPTH STAKE (See Fig. 12)

The depth stake can be raised or lowered to allow you more versatile tilling and cultivating, or to more easily transport your tiller.

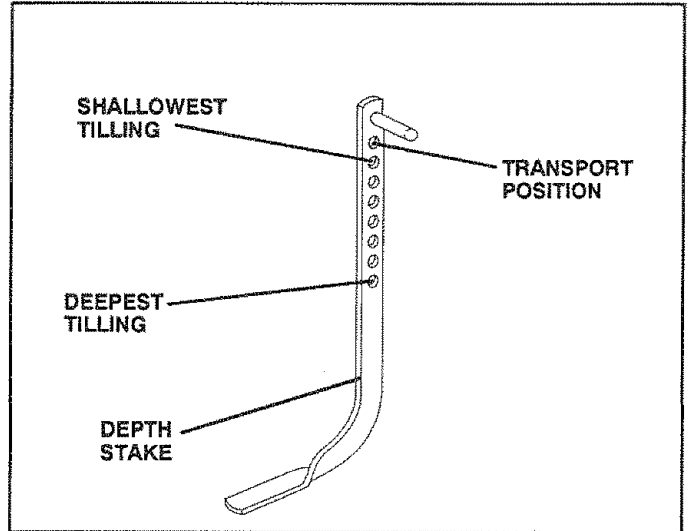


FIG. 12

TILLING (See Fig. 13)

- Release depth stake pin. Pull the depth stake up for increased tilling depth. Place depth stake pin in hole of depth stake to lock in position.
- Place shift lever indicator in "T" position.
- Hold the drive control bar against the handle to start tilling movement. Tines and wheels will both turn.
- Move throttle control to "FAST" position for deep tilling. To cultivate, throttle control can be set at any desired speed, depending on how fast or slow you wish to cultivate.

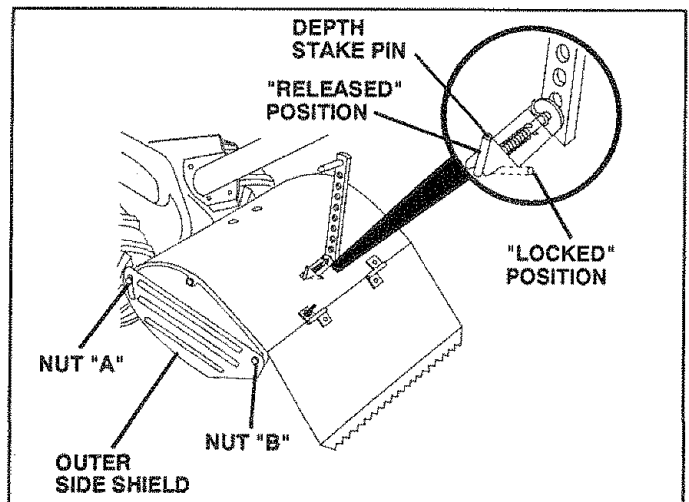


FIG. 13

OPERATION

TURNING

- Release the drive control bar.
- Move throttle control to "SLOW" position.
- Place shift lever indicator in "F" forward position. Tines will not turn.
- Lift handle to raise tines out of ground.
- Engage control bar and swing the handle in the opposite direction you wish to turn, being careful to keep feet and legs away from tines.
- When you have completed your turn-around, release the drive control bar and lower handle. Place shift lever in "T" position and move throttle control to desired speed. To begin tilling, hold drive control bar against the handle.

OUTER SIDE SHIELDS (See Fig. 13)

The front edges of the outer side shields are slotted so that the shields can be raised for deep tilling and lowered for shallow tilling to protect small plants from being buried. Loosen nut "A" in slot and nut "B". Move shield to desired position (both sides). Retighten nuts.

TRANSPORTING

- Release the depth stake pin. Move the depth stake down to the top hole for transporting the tiller. Place depth stake pin in hole of depth stake to lock in position. This prevents tines from scuffing the ground.
- Place shift lever indicator in "F" forward position for transporting.
- Hold the drive control bar against the handle to start tiller movement. Tines will not turn.
- Move throttle control to desired speed.

IMPORTANT: PRACTICE THE ABOVE PROCEDURES SEVERAL TIMES BEFORE FILLING ENGINE WITH FUEL AND OIL.



CAUTION: Before lifting or transporting, allow tiller engine and muffler to cool. Disconnect spark plug wire. Drain gasoline from fuel tank.



CAUTION: Before operating your tiller for the first time, study this section and the "SAFETY RULES" on page 2.

Always release drive control bar before moving shift lever into another position.

Don't back yourself into a solid obstruction such as a tree, fence, etc.

BEFORE STARTING ENGINE

CHECK ENGINE OIL LEVEL (See Fig. 14)

- The engine in your unit has been shipped, from the factory, already filled with summer weight oil.
- With engine level, remove engine oil filler plug.
- Engine oil should be to point of overflowing. For approximate capacity see "PRODUCT SPECIFICATIONS" on page 3 of this manual.
- For cold weather operation you should change oil for easier starting (See "OIL VISCOSITY CHART" in the Maintenance section of this manual).
- To change engine oil, see the Maintenance section in this manual.

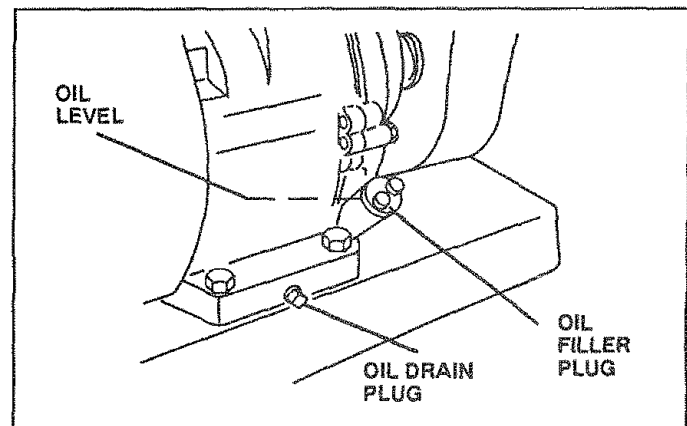


FIG. 14

ADD GASOLINE

- Fill fuel tank. Use fresh, clean, regular unleaded gasoline. (Use of leaded gasoline will increase carbon and lead oxide deposits and reduce valve life.)

IMPORTANT: WHEN OPERATING IN TEMPERATURES BELOW 32°F (0°C), USE FRESH, CLEAN, WINTER GRADE GASOLINE TO HELP INSURE GOOD COLD WEATHER STARTING.

WARNING: Experience indicates that alcohol blended fuels (called gasohol or using ethanol or methanol) can attract moisture which leads to separation and formation of acids during storage. Acidic gas can damage the fuel system of an engine while in storage. To avoid engine problems, the fuel system should be emptied before storage of 30 days or longer. Drain the gas tank, start the engine and let it run until the fuel lines and carburetor are empty. Use fresh fuel next season. See Storage Instructions for additional information. Never use engine or carburetor cleaner products in the fuel tank or permanent damage may occur.



CAUTION: Fill to within 1/2 inch of fuel tank to prevent spills and to allow for fuel expansion. If gasoline is accidentally spilled, move machine away from area of spill. Avoid creating any source of ignition until gasoline vapors have disappeared.

Do not overfill. Wipe off any spilled oil or fuel. Do not store, spill or use gasoline near an open flame.

OPERATION

TO START ENGINE (See Fig. 15)



CAUTION: Keep the tine control in "OFF" position when starting engine.

- Make sure spark plug wire is properly connected.
- Move shift lever indicator to "N" neutral position.
- Place throttle control in "FAST" position.
- Place choke control in "CHOKE" position if the engine is cold. A warm engine may not require choking to start.
- Grasp starter handle with one hand and grasp the tiller with other hand. Pull rope out slowly until engine reaches start of compression cycle (rope will pull slightly harder at this point).
- Pull rope with a rapid, continuous, full arm stroke. Keep a firm grip on starter handle and let rope rewind slowly. Do not let starter handle snap back against starter.
- When engine starts, slowly move choke control on engine halfway between "CHOKES" and "RUN" positions and then to "RUN" position as engine warms up.
- Move throttle control to desired running position.
- Allow engine to warm up for a few minutes before engaging tines.

NOTE: If at a high altitude (above 3000 feet) or in cold temperatures (below 32°F), the carburetor fuel mixture may need to be adjusted for best engine performance. See "TO ADJUST CARBURETOR" in the Service and Adjustments section of this manual.

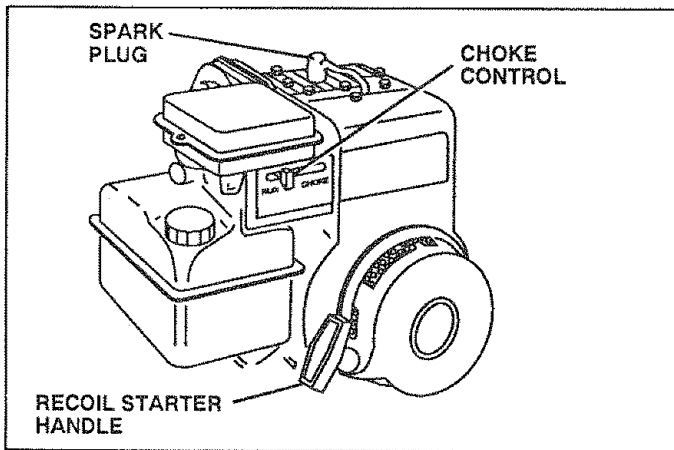


FIG. 15

TILLING HINTS



CAUTION: Until you are accustomed to handling your tiller, start actual field use with throttle in slow position (mid-way between "FAST" and "IDLE").

- Tilling is digging into, turning over, and breaking up packed soil before planting. Loose, unpacked soil helps root growth. Best tilling depth is 4" to 6". A tiller will also clear the soil of unwanted vegetation. The decomposition of this vegetable matter enriches the soil. Depending on the climate (rainfall and wind), it may be advisable to till the soil at the end of the growing season to further condition the soil.

- Soil conditions are important for proper tilling. Tines will not readily penetrate dry, hard soil which may contribute to excessive bounce and difficult handling of your tiller. Hard soil should be moistened before tilling; however, extremely wet soil will "ball-up" or clump during tilling. Wait until the soil is less wet in order to achieve the best results. When tilling in the fall, remove vines and long grass to prevent them from wrapping around the tine shaft and slowing your tilling operation.
- For easier handling of your tiller, leave about 8 inches of untilled soil between the first and second tilling passes. The third pass will be between the first and second (See Fig. 16).
- Do not lean on handle. This takes weight off the wheels and reduces traction. To get through a really tough section of sod or hard ground, apply upward pressure on handle or lower the depth stake.

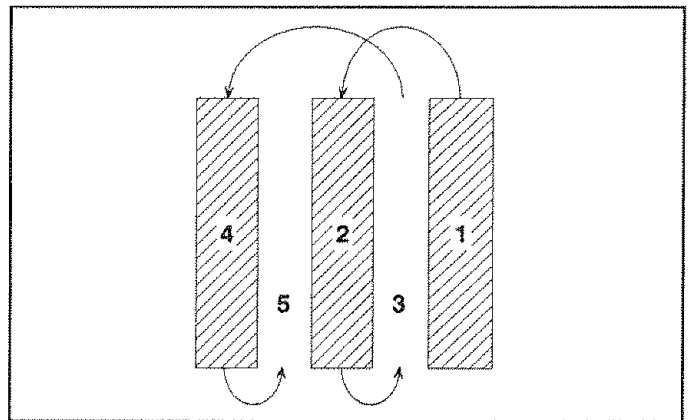


FIG. 16

CULTIVATING

Cultivating is destroying the weeds between rows to prevent them from robbing nourishment and moisture from the plants. At the same time, breaking up the upper layer of soil crust will help retain moisture in the soil. Best digging depth is 1" to 3". Lower the outer side shields to protect small plants from being buried.

- Cultivate up and down the rows at a speed which will allow tines to uproot weeds and leave the ground in rough condition, promoting no further growth of weeds and grass (See Fig. 17).

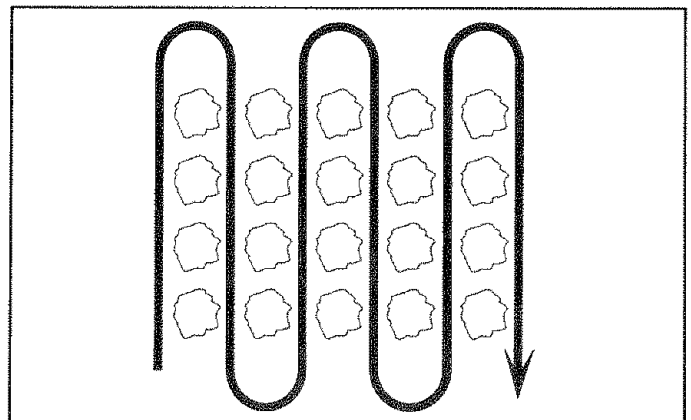


FIG. 17

MAINTENANCE

MAINTENANCE SCHEDULE						SERVICE DATES															
	BEFORE EACH USE	FIRST 2 HOURS	EVERY 5 HOURS	EVERY 25 HOURS	EVERY 50 HOURS																
FILL IN DATES AS YOU COMPLETE REGULAR SERVICE																					
Check Engine Oil Level	✓		✓																		
Change Engine Oil		✓		✓ ^{1,2}																	
Oil Pivot Points			✓																		
Inspect Spark Arrester Muffler					✓																
Inspect Air Screen	✓																				
Replace Air Cleaner Cartridge				✓ ²																	
Clean Engine Cylinder Fins			✓																		
Replace Spark Plug					✓																

1 - Change more often when operating under a heavy load or in high ambient temperatures.
 2 - Service more often when operating in dirty or dusty conditions.

GENERAL RECOMMENDATIONS

The warranty on this unit does not cover items that have been subjected to operator abuse or negligence. To receive full value from the warranty, operator must maintain unit as instructed in this manual.

Some adjustments will need to be made periodically to properly maintain your unit.

All adjustments in the Service and Adjustments section of this manual should be checked at least once each season.

- Once a year you should replace the spark plug, clean or replace air filter, and check tines and belts for wear. A new spark plug and clean air filter assure proper air-fuel mixture and help your engine run better and last longer.

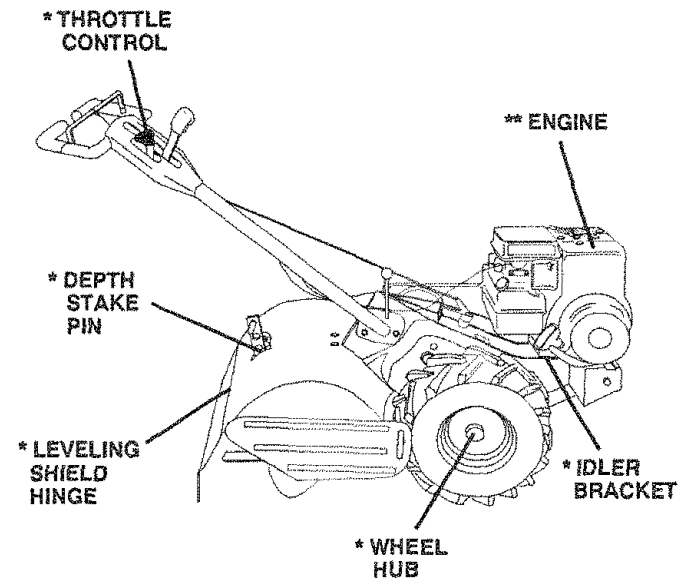
BEFORE EACH USE

- Check engine oil level.
- Check tine operation.
- Check for loose fasteners.

LUBRICATION

Keep unit well lubricated (See "LUBRICATION CHART").

LUBRICATION CHART



* SAE 30 OR 10W30 MOTOR OIL API - SG
 ** REFER TO ENGINE MAINTENANCE SECTION

MAINTENANCE



Disconnect spark plug wire before performing any maintenance (except carburetor adjustment) to prevent accidental starting of engine.

Prevent fires! Keep the engine free of grass, leaves, spilled oil, or fuel. Remove fuel from tank before tipping unit for maintenance. Clean muffler area of all grass, dirt and debris.

Do not touch hot muffler or cylinder fins as contact may cause burns.

ENGINE

LUBRICATION

Change the oil after the first two hours of operation and every 25 hours thereafter or at least once a year if the tiller is not used for 25 hours in one year.

Check the crankcase oil level before starting the engine and after each five (5) hours of continuous use. Add SAE 30W motor oil or equivalent. Tighten oil filler plug securely each time you check the oil level. SAE 5W-30 motor oil may be used to make starting easier in areas where temperature is consistently 32° F or lower.

TO CHANGE ENGINE OIL (See Figs. 18 and 19) -

Determine temperature range expected before oil change. All oil must meet API service classification SG.

- Be sure tiller is on level surface.
- Oil will drain more freely when warm.
- Catch oil in a suitable container.
- Remove drain plug.
- Tip tiller forward to drain oil.
- After oil has drained completely, replace oil drain plug and tighten securely.
- Remove oil filler plug. Be careful not to allow dirt to enter the engine.
- Refill engine with oil.

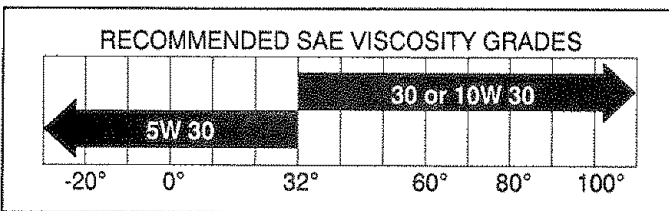


FIG. 18

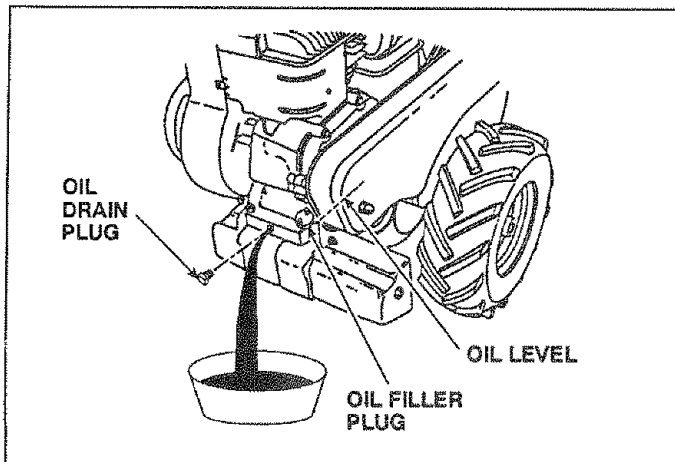


FIG. 19

AIR CLEANER (See Fig. 20)

Replace air cleaner cartridge every twenty-five hours, more often if engine is used in very dusty conditions.

- Loosen air cleaner screws, one on each side of cover.
- Remove air cleaner cover.
- Carefully remove air cleaner cartridge. Be careful. Do not allow dirt or debris to fall into carburetor.
- Install new air cleaner cartridge. Clean and replace cover. Tighten screws securely.

NOTE: Do not attempt to clean or oil the paper cartridge.

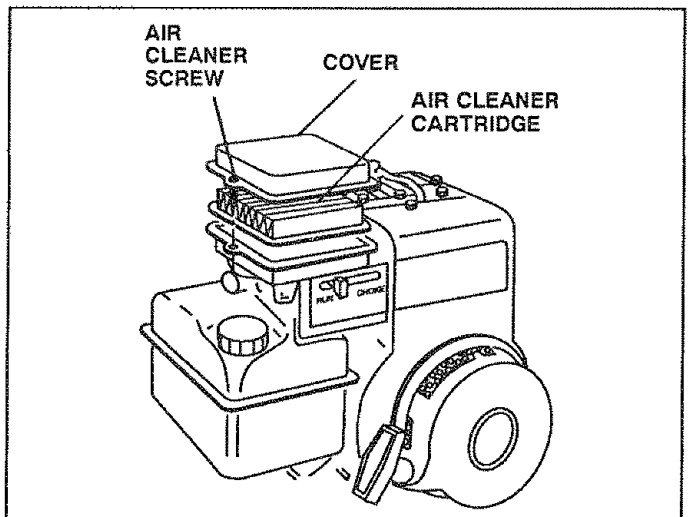


FIG. 20

COOLING SYSTEM (See Fig. 21)

Your engine is air cooled. For proper engine performance and long life keep your engine clean.

- Clean air screen frequently using a stiff bristled brush.
- Remove blower housing and clean as necessary.
- Keep cylinder fins free of dirt and chaff.

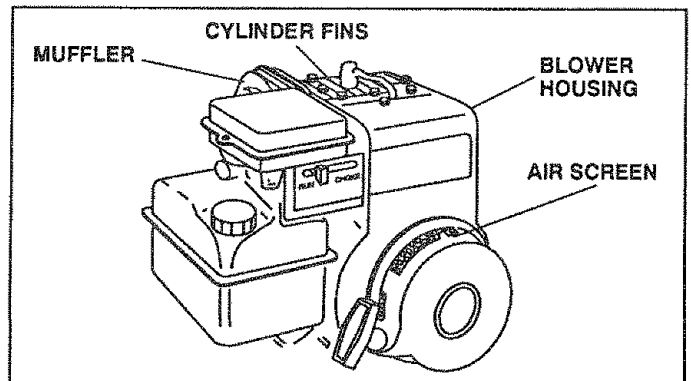


FIG. 21

MAINTENANCE

MUFFLER

Do not operate tiller without muffler. Do not tamper with exhaust system. Damaged mufflers or spark arresters could create a fire hazard. Inspect periodically and replace if necessary. If your engine is equipped with a spark arrester screen assembly, remove every 50 hours for cleaning and inspection. Replace if damaged.

SPARK PLUG

Replace spark plugs at the beginning of each tilling season or after every 50 hours of use, whichever comes first. Spark plug type and gap setting is shown in "PRODUCT SPECIFICATIONS" on page 3 of this manual.

TRANSMISSION

Your transmission is sealed and will only require lubrication if serviced.

CLEANING

- Clean engine, wheels, finish, etc. of all foreign matter.
- Keep finished surfaces and wheels free of all gasoline, oil, etc.
- Protect painted surfaces with automotive type wax.

We do not recommend using a garden hose to clean your unit unless the muffler, air filter and carburetor are covered to keep water out. Water in engine can result in a shortened engine life.

SERVICE AND ADJUSTMENTS



CAUTION: Disconnect spark plug wires from spark plug and place wire where it cannot come into contact with plug.

TILLER

TO ADJUST HANDLE HEIGHT (See Fig. 22)

Select handle height best suited for your tilling conditions. Handle height will be different when tiller digs into soil.

- First loosen handle lock lever.
- Handle can be positioned at different settings between "HIGH" and "LOW" positions.
- Retighten handle lock lever securely after adjusting.

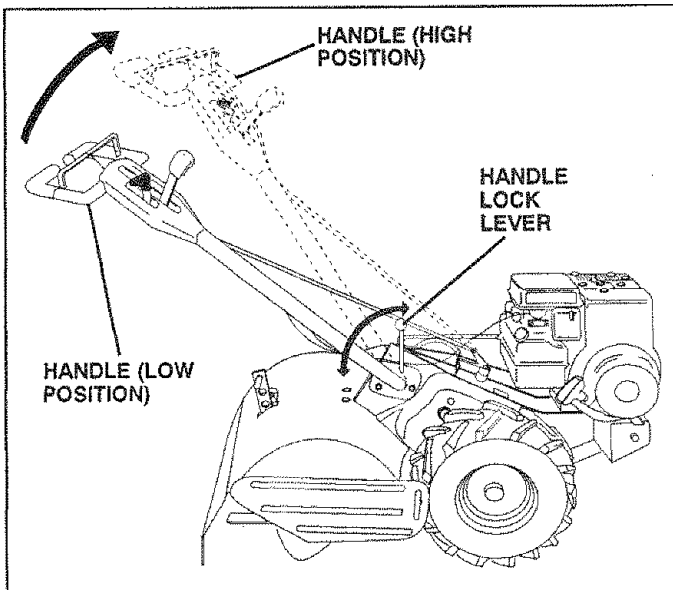


FIG. 22

TIRE CARE



CAUTION: When mounting tires, unless beads are seated, overinflation can cause an explosion.

- Maintain 20 pounds of tire pressure. If tire pressures are not equal, tiller will pull to one side.
- Keep tires free of gasoline or oil which can damage rubber.

TO REMOVE WHEEL (See Fig. 23)

- Place blocks under transmission to keep tiller from tipping.
- Remove outer side shield (See Fig. 10).
- Remove hairpin clip and clevis pin from wheel.
- Remove wheel and tire.
- Repair tire and reassemble.

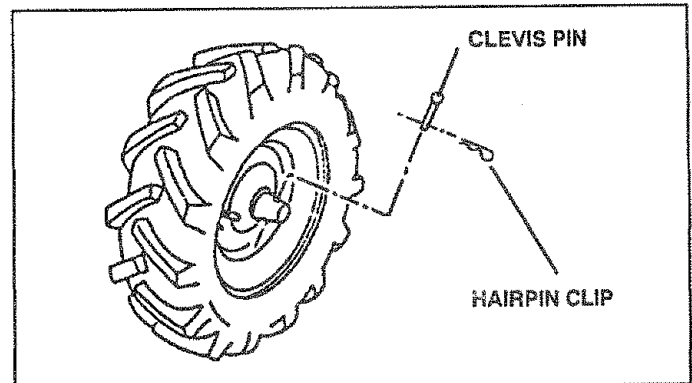


FIG. 23

SERVICE AND ADJUSTMENTS

TO REMOVE BELT GUARD (See Fig. 24)

NOTE: For ease of removal, remove outer side shield, and hairpin clip and clevis pin from left wheel. Pull wheel out from tiller about 1 inch.

- Remove two (2) cap nuts and washers from side of belt guard.
- Remove hex nut and washer from bottom of belt guard (located behind wheel).
- Pull belt guard out and away from unit.
- Replace belt guard by reversing above procedure.

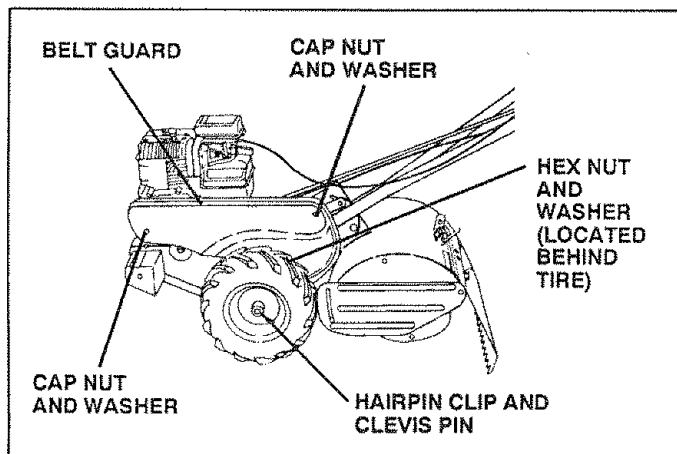


FIG. 24

TO REPLACE GROUND DRIVE BELT (See Figs. 24 and 25)

- Move left wheel and remove belt guard as described in "TO REMOVE BELT GUARD".
Loosen belt guides "A" and "B" and also nuts "C" and "D".
- Remove old belt by slipping from engine pulley first.
- Place new belt in groove of transmission pulley and into engine pulley. BELT MUST BE IN GROOVE ON TOP OF IDLER PULLEY. NOTE POSITION OF BELT TO GUIDES.
- Tighten belt guides "A" and "B" and nuts "C" and "D".
- Check belt adjustment as described below.
- Replace belt guard.
- Reposition wheel and replace clevis pin and hairpin clip.

GROUND DRIVE BELT ADJUSTMENT (See Fig. 25)

For proper belt tension, the extension spring should have about 5/8 inch stretch when drive control bar is "ENGAGED" position. This tension can be attained as follows:

- Loosen cable clip screw securing the drive control cable.
- Slide cable forward for less tension and rearward for more tension until about 5/8 inch stretch is obtained while the drive control bar is engaged.
- Tighten cable clip screw securely.

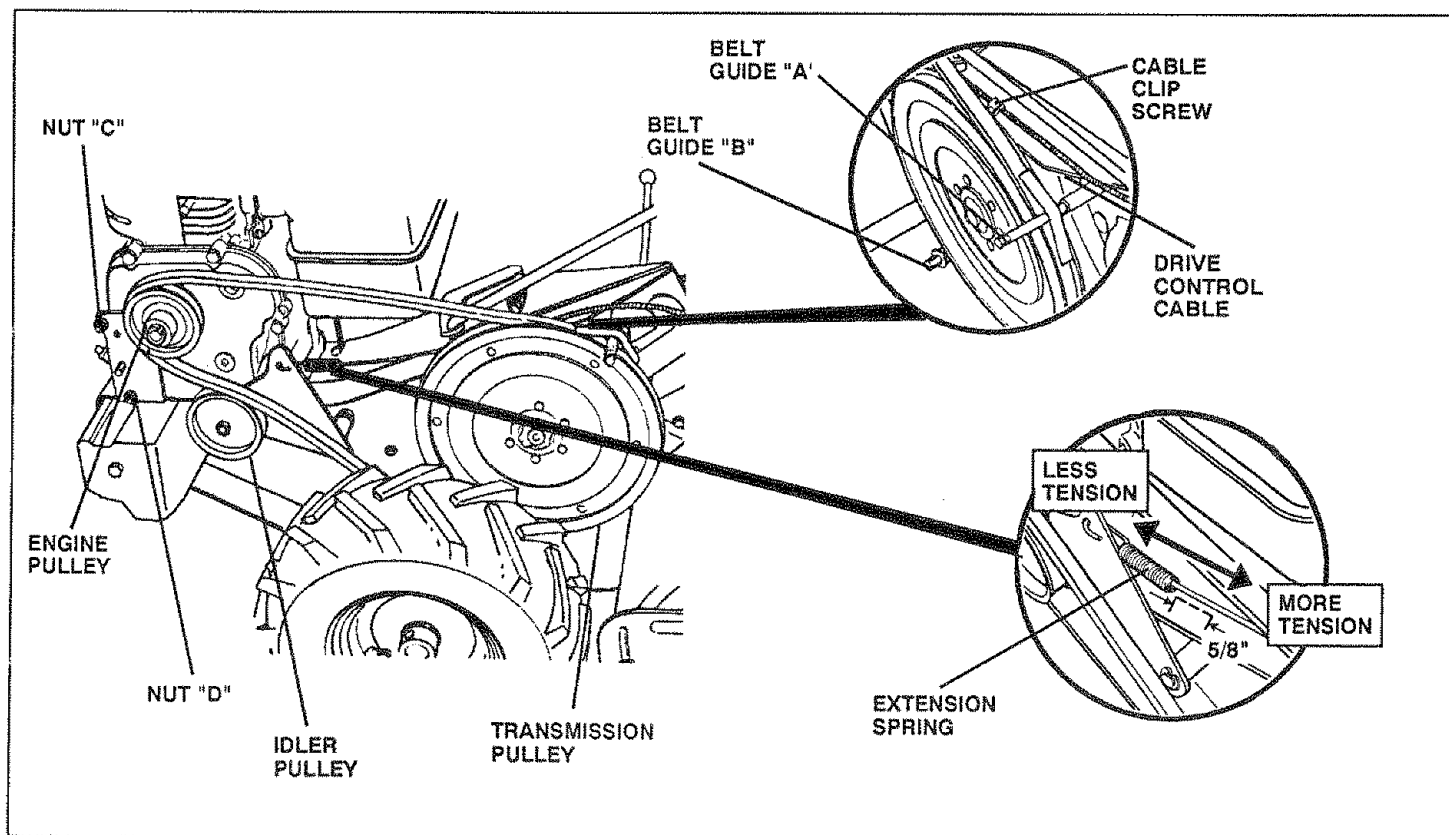


FIG. 25

SERVICE AND ADJUSTMENTS

TINE REPLACEMENT (See Figs. 26, 27 and 28)



CAUTION: Tines are sharp. Wear gloves or other protection when handling tines.

A badly worn tine causes your tiller to work harder and dig more shallow. Most important, worn tines cannot chop and shred organic matter as effectively nor bury it as deeply as good tines. A tine this worn needs to be replaced.

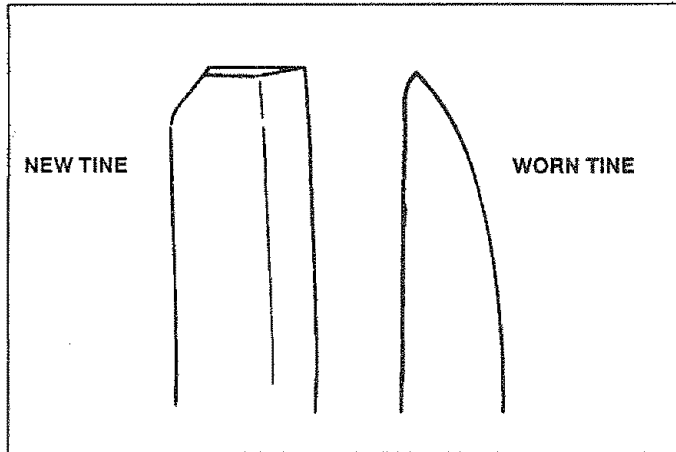


FIG. 26

- To maintain the superb tilling performance of this machine the tines should be checked for sharpness, wear, and bending, particularly the tines which are next to the transmission. If the gap between the tines exceeds 3-1/2 inches, they should be replaced or straightened as necessary.

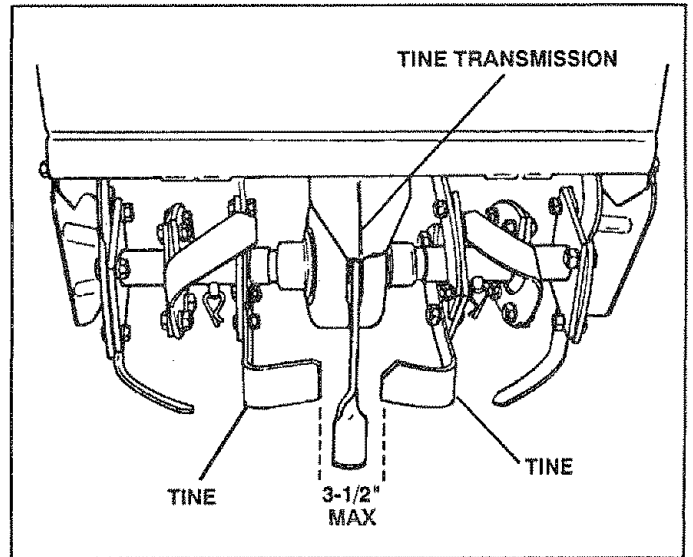


FIG. 27

- New tines should be assembled as shown below. Sharpened tine edges will rotate rearward from above.

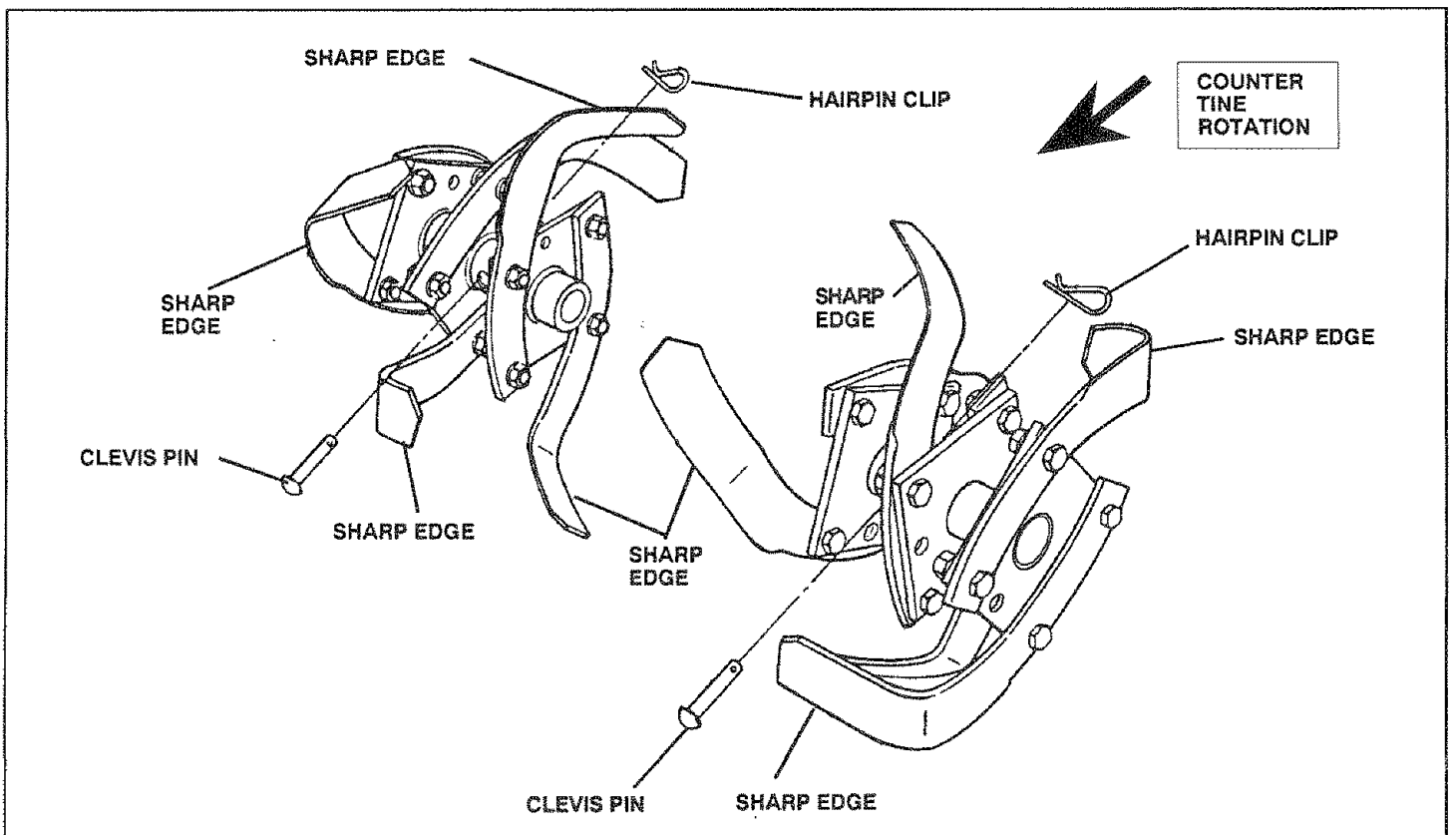


FIG. 28

SERVICE AND ADJUSTMENTS

ENGINE

TO ADJUST THROTTLE CONTROL CABLE

(See Fig. 29)

- Loosen cable clamp screw to allow cable to move.
- Move throttle control lever on upper handle to "FAST" position.
- Pull throttle cable out until engine bellcrank is back as far as it will go.
- Hold cable in this position and tighten clamp screw securely.

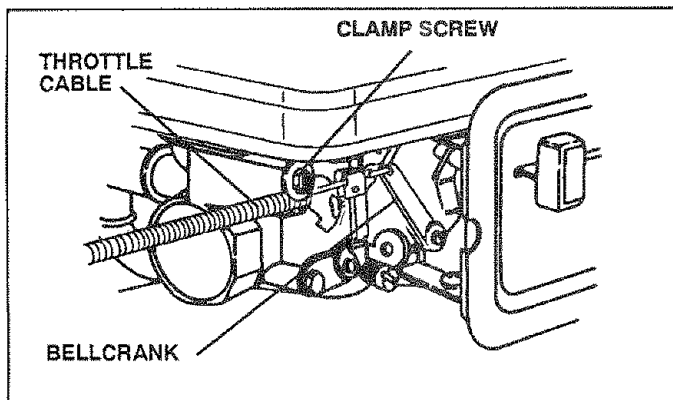


FIG. 29

TO ADJUST CARBURETOR (See Fig. 30)

The carburetor has been preset at the factory and adjustment should not be necessary. However, minor adjustments may be required to compensate for differences in fuel, temperature, altitude or load. If the carburetor does need adjustment, proceed as follows.

In general, turning the needle valve in (clockwise) decreases the supply of fuel to the engine giving a leaner fuel/air mixture. Turning the needle valve out (counterclockwise) increases the supply of fuel to the engine giving a richer fuel/air mixture.

IMPORTANT: DAMAGE TO THE NEEDLES AND THE SEATS IN CARBURETOR MAY RESULT IF SCREWS ARE TURNED IN TOO TIGHT.

PRELIMINARY SETTING -

- Air cleaner assembly must be assembled to the carburetor when making carburetor adjustments.
- Be sure the throttle control cable is adjusted properly (see above).
- With engine off turn needle valve in (clockwise) closing it finger tight and then turn out (counterclockwise) 1-1/2 turns.

FINAL SETTING -

- Start engine and allow to warm for five minutes. Make final adjustments with engine running and gear shift control lever in "NEUTRAL" position.
- With throttle control lever in "SLOW" position, turn needle valve in (clockwise) until engine begins to die then turn out (counterclockwise) until engine runs rough. Turn valve to a point midway between those two positions.

IDLE RPM ADJUSTMENT

- To adjust idle RPM, rotate throttle linkage counterclockwise and hold against stop while adjusting idle speed adjusting screw to obtain 1750 RPM. Release throttle linkage.

ACCELERATION TEST -

- Move throttle control lever from "SLOW" to "FAST" position. If engine hesitates or dies, turn needle valve out (counterclockwise) 1/8 turn. Repeat test and continue to adjust, if necessary, until engine accelerates smoothly.

High speed stop is factory adjusted. Do not adjust damage may result.

IMPORTANT: NEVER TAMPER WITH THE ENGINE GOVERNOR, WHICH IS FACTORY SET FOR PROPER ENGINE SPEED. OVERSPEEDING THE ENGINE ABOVE THE FACTORY HIGH SPEED SETTING CAN BE DANGEROUS. IF YOU THINK THE ENGINE-GOVERNED HIGH SPEED NEEDS ADJUSTING, CONTACT YOUR NEAREST AUTHORIZED SERVICE CENTER, WHICH HAS PROPER EQUIPMENT AND EXPERIENCE TO MAKE ANY NECESSARY ADJUSTMENTS.

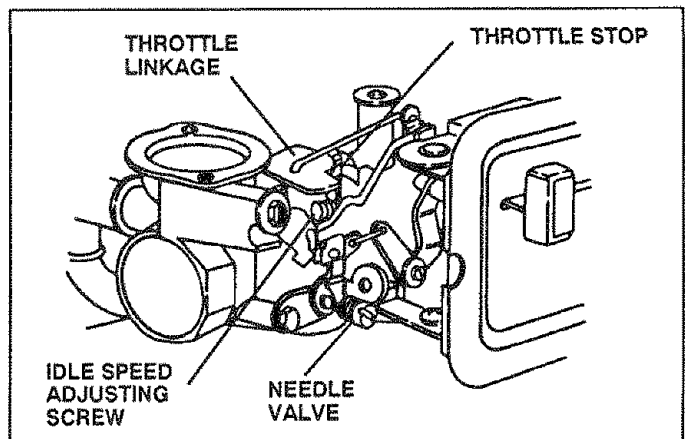


FIG. 30

STORAGE

Immediately prepare your tiller for storage at the end of the season or if the unit will not be used for 30 days or more.



CAUTION: Never store the tiller with gasoline in the tank inside a building where fumes may reach an open flame or spark. Allow the engine to cool before storing in any enclosure.

TILLER

- Clean entire tiller (See "CLEANING" in the Maintenance section of this manual).
- Inspect and replace belts, if necessary (See belt replacement instructions in the Service and Adjustments section of this manual).
- Lubricate as shown in the Maintenance section of this manual.
- Be sure that all nuts, bolts and screws are securely fastened. Inspect moving parts for damage, breakage and wear. Replace if necessary.
- Touch up all rusted or chipped paint surfaces; sand lightly before painting.

ENGINE

FUEL SYSTEM

IMPORTANT: IT IS IMPORTANT TO PREVENT GUM DEPOSITS FROM FORMING IN ESSENTIAL FUEL SYSTEM PARTS SUCH AS THE CARBURETOR, FUEL FILTER, FUEL HOSE, OR TANK DURING STORAGE. ALSO, EXPERIENCE INDICATES THAT ALCOHOL BLENDED FUELS (CALLED GASOHOL OR USING ETHANOL OR METHANOL) CAN ATTRACT MOISTURE WHICH LEADS TO SEPARATION AND FORMATION OF ACIDS DURING STORAGE. ACIDIC GAS CAN DAMAGE THE FUEL SYSTEM OF AN ENGINE WHILE IN STORAGE.

- Drain the fuel tank.
- Start the engine and let it run until the fuel lines and carburetor are empty.
- Never use engine or carburetor cleaner products in the fuel tank or permanent damage may occur.
- Use fresh fuel next season.

NOTE: Fuel stabilizer is an acceptable alternative in minimizing the formation of fuel gum deposits during storage. Add stabilizer to gasoline in fuel tank or storage container. Always follow the mix ratio found on stabilizer container. Run engine at least 10 minutes after adding stabilizer to allow the stabilizer to reach the carburetor. Do not drain the gas tank and carburetor if using fuel stabilizer.

ENGINE OIL

Drain oil (with engine warm) and replace with clean oil. (See "ENGINE" in the Maintenance section of this manual).

CYLINDERS

- Remove spark plug.
- Pour one ounce of oil through spark plug hole into cylinder.
- Pull starter handle slowly several times to distribute oil.
- Replace with new spark plug.

OTHER

- Do not store gasoline from one season to another.
- Replace your gasoline can if your can starts to rust. Rust and/or dirt in your gasoline will cause problems.
- If possible, store your unit indoors and cover it to give protection from dust and dirt.
- Cover your unit with a suitable protective cover that does not retain moisture. Do not use plastic. Plastic cannot breathe which allows condensation to form and will cause your unit to rust.

IMPORTANT: NEVER COVER TILLER WHILE ENGINE AND EXHAUST AREAS ARE STILL WARM.

TROUBLESHOOTING

PROBLEM:

Probable Cause ➔ Possible Remedy

WILL NOT START OR HARD TO START

No gasoline in Fuel Tank ➔	Fill tank with gasoline
Choke not set properly ➔	Place Choke Control in "CHOKE" position
Throttle Control not set properly ➔	Place Throttle Control in "FAST" position
Choked improperly, flooded Engine ➔	Move Choke control to "Run" position, place Throttle Control in "FAST" position and pull Starter several times to clear out gas
Dirty Air Cleaner ➔	Remove and replace
Loose Spark Plug Wire ➔	Make sure Spark Plug Wire is seated properly on Spark Plug
Spark Plug dirty or improper gap ➔	Replace Spark Plug and adjust gap
Water in gasoline or old fuel ➔	Drain Fuel Tank and Carburetor, use fresh fuel and replace Spark Plug
Improper Carburetor adjustment ➔	Make necessary adjustments
Clogged Fuel Tank ➔	Remove and clean

ENGINE MISSES OR LACKS POWER

Engine overloaded ➔	Set Depth Stake and Wheels for shallower tilling
Partially plugged Air Cleaner ➔	Remove and inspect; replace if dirty
Dirty Air Screen ➔	Clean Air Screen
Spark Plug dirty, improper gap or wrong type ➔	Replace Spark Plug and adjust gap
Oil in gasoline ➔	Drain and refill Gas Tank and Carburetor
Improper Carburetor adjustment ➔	Make necessary adjustments
Clogged Fuel Tank ➔	Remove and clean
Poor compression ➔	Major Engine overhaul

ENGINE OVERHEATS

Low oil level or dirty oil ➔	Add or change oil
Dirty Air Screen ➔	Clean Air Screen
Dirty Engine ➔	Clean Cylinder Fins, Air Screen and Muffler area
Partially Plugged Muffler ➔	Remove and clean Muffler
Improper Carburetor adjustment ➔	Make necessary adjustments

EXCESSIVE BOUNCE AND DIFFICULT HANDLING

Wheels and Depth Stake incorrectly adjusted ➔	Adjust Wheels and Depth Stake
Ground too dry and hard ➔	Moisten ground or wait for more favorable soil conditions

SOIL BALLS UP OR CLUMPS

Ground too wet ➔	Wait for more favorable soil conditions
------------------	---

ENGINE RUNS WELL BUT TILLER WON'T MOVE

Drive Control Bar not engaged ➔	Engage Drive Control
V-Belt not correctly adjusted ➔	Check V-Belt
V-Belt off of pulleys ➔	Check V-Belt

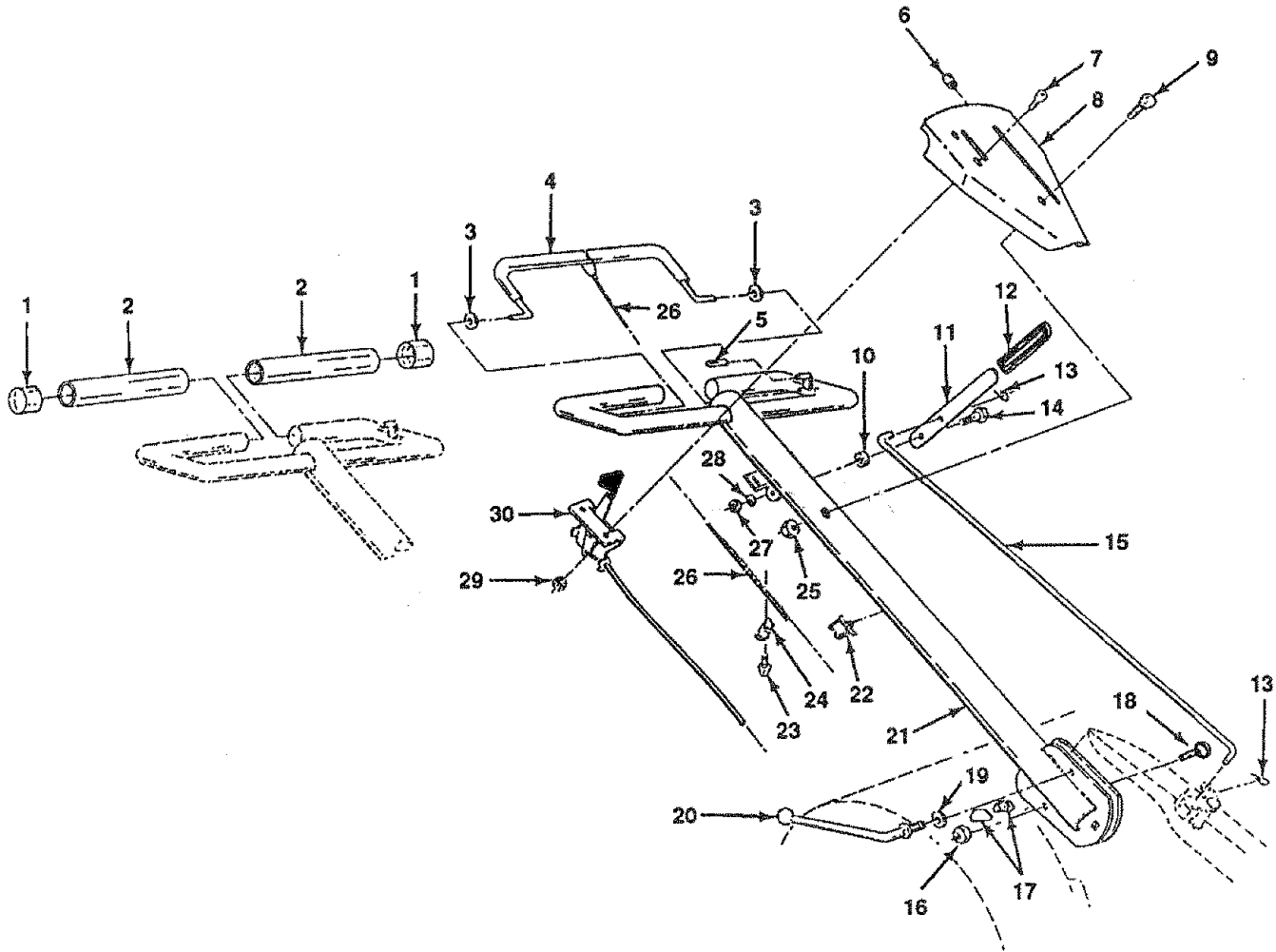
ENGINE RUNS WELL BUT LABORS WHEN TILLING

Tilling too deep ➔	Adjust Depth Stake
Throttle Control not properly adjusted ➔	Check Throttle Control setting
Carburetor not adjusted properly ➔	Check Carburetor adjustment

REPAIR PARTS

5 HP 17" CRT TILLER -- MODEL NUMBER 917.299691

HANDLE ASSEMBLY



KEY PART NO.	PART NO.	DESCRIPTION
1	110707X	Cap, Sleeve
2	110674X	Grip, Handle
3	110673X	Grommet, Handle
4	127254X	Bar, Drive Control Assembly
5	6712J	Cap, Vinyl
6	110641X	Bushing, Split
7	STD511005	* Screw, Mach. Pan Head. C.R. #10-24 x 1/2
8	126948X	Panel, Control
9	STD533125	* Bolt, Carriage 5/16-18 UNC x 2-3/8 Gr. 5
10	109313X	Grommet, Rubber
11	110741X	Handle, Shift
12	110646X	Handle, Grip
13	STD624003	* Clip, Hairpin
14	81328	Bolt, Shoulder
15	110702X	Rod, Shift
16	STD541437	* Nut, Centerlock 3/8-16
17	109229X	Lock, Handle
18	STD533710	* Bolt, Carriage 3/8-16 x 1 Gr. 5
19	19131611	Washer 13/32 x 1 x 11 Ga.

KEY PART NO.	PART NO.	DESCRIPTION
20	109228X	Lever, Lock, Handle
21	121213X	Handle, Assemble
22	121145X	Clip, Plastic, Cable
23	86777	Screw, Hex, Washer Hd, Slotted #10-24 x 1/2
24	9484R	Clip
25	73970500	Locknut, Hex, Flange
26	110675X	Clutch, Cable
27	STD541025	* Nut, Hex 1/4-20
28	STD551125	* Washer, Lock 1/4
29	STD541462	* Nut, Keps #10-24
30	127012X	Throttle, Control
--	127812	Manual, Owner's
--	120431X	Decal, Hand Placement
--	121859X	Decal, Caution-Clutch
--	127795	Decal, Control Panel

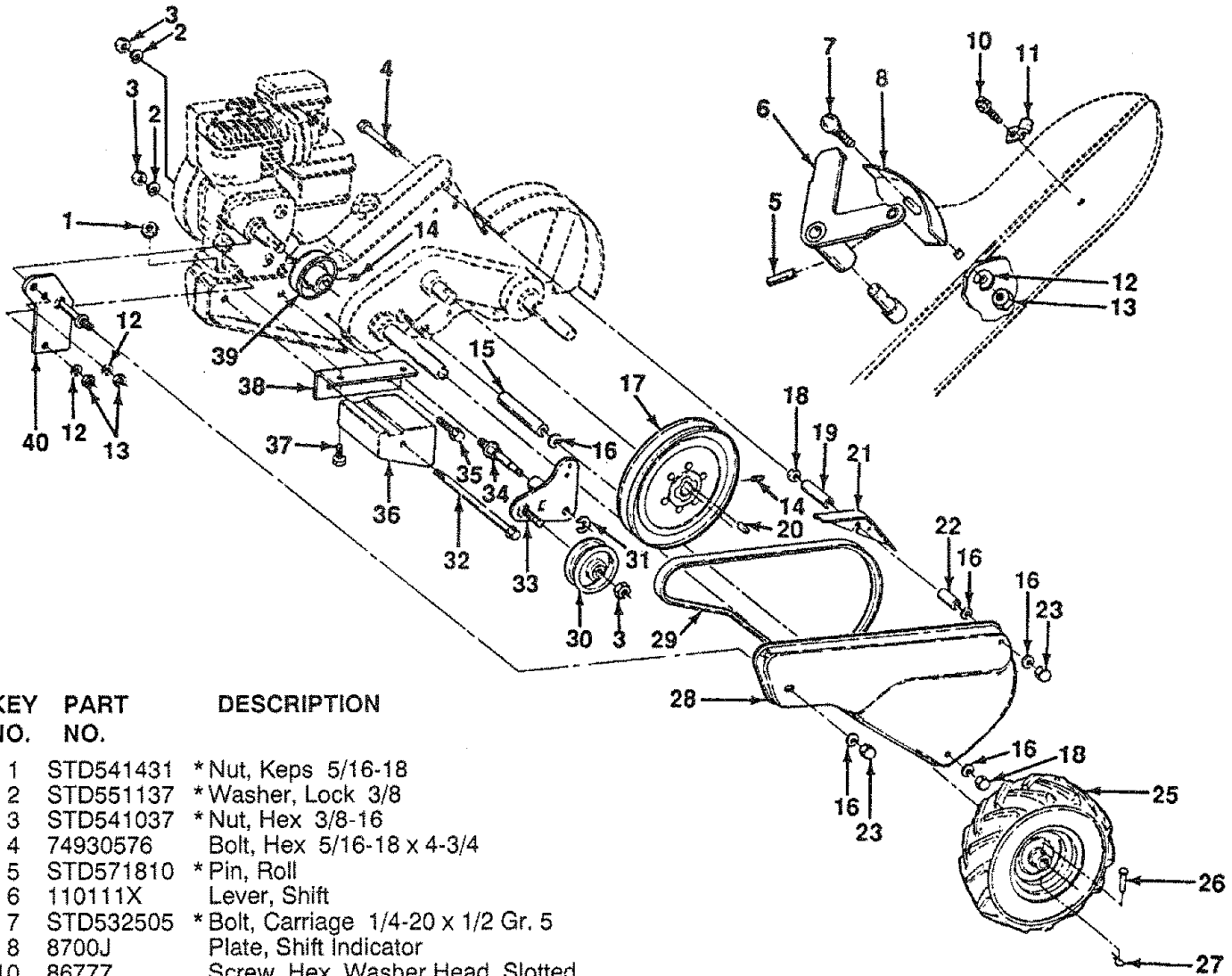
* STANDARD HARDWARE--PURCHASE LOCALLY

NOTE: All component dimensions given in U.S. inches.
1 inch = 25.4 mm

REPAIR PARTS

5 HP 17" CRT TILLER -- MODEL NUMBER 917.299691

MAINFRAME, LEFT SIDE



KEY NO.	PART NO.	DESCRIPTION
1	STD541431	* Nut, Keps 5/16-18
2	STD551137	* Washer, Lock 3/8
3	STD541037	* Nut, Hex 3/8-16
4	74930576	Bolt, Hex 5/16-18 x 4-3/4
5	STD571810	* Pin, Roll
6	110111X	Lever, Shift
7	STD532505	* Bolt, Carriage 1/4-20 x 1/2 Gr. 5
8	8700J	Plate, Shift Indicator
10	86777	Screw, Hex, Washer Head, Slotted #10-24 x 1/2
11	9484R	Clip
12	STD551125	* Washer, Lock 1/4
13	STD541025	* Nut, Hex 1/4-20
14	STD503103	* Screw, Set, Hex 5/16-18 x 3/8
15	120938X	Spacer, Split 0.327 x 0.42 x 2.68
16	STD551031	* Washer 11/32 x 11/16 x 16 Ga.
17	100473M	Sheave, Transmission
18	STD541031	* Nut, Hex 5/16-18
19	110651X	Spacer, Split 0.327 x 0.42 x 1.75
20	2649M	Key, Square 3/16 x 1-1/8
21	110653X	Guard, Pinch Point
22	110652X	Spacer, Split 0.327 x 0.42 x 2.09
23	104214X	Nut, Cap 5/16-18
25	5015J	Tire
	124366X	Rim
	795R	Tire Valve
26	126875X	Rivet, Drilled
27	STD624003	* Clip, Hairpin
28	102148X417	Guard, Belt
29	126791X	Belt, V

KEY NO.	PART NO.	DESCRIPTION
30	104679X	Pulley, Idler
31	12000032	Ring, Klip
32	102384X	Bolt, Hex 5/16-16 x 12
33	105611X	Bracket, Idler
34	102141X	Shaft, Idler Arm
35	STD523710	* Bolt, Hex 3/8-16 x 1
36	102383X	Counterweight, L. H.
37	74760524	Bolt, Hex 5/16-18 x 1-1/2
38	102331X	Bracket, Reinforcement, L. H.
39	9177R	Sheave, Engine
40	126788X	Bracket, Guard Belt
--	102180X	Decal, Shift Indicator
--	127806	Decal (Belt Guard)

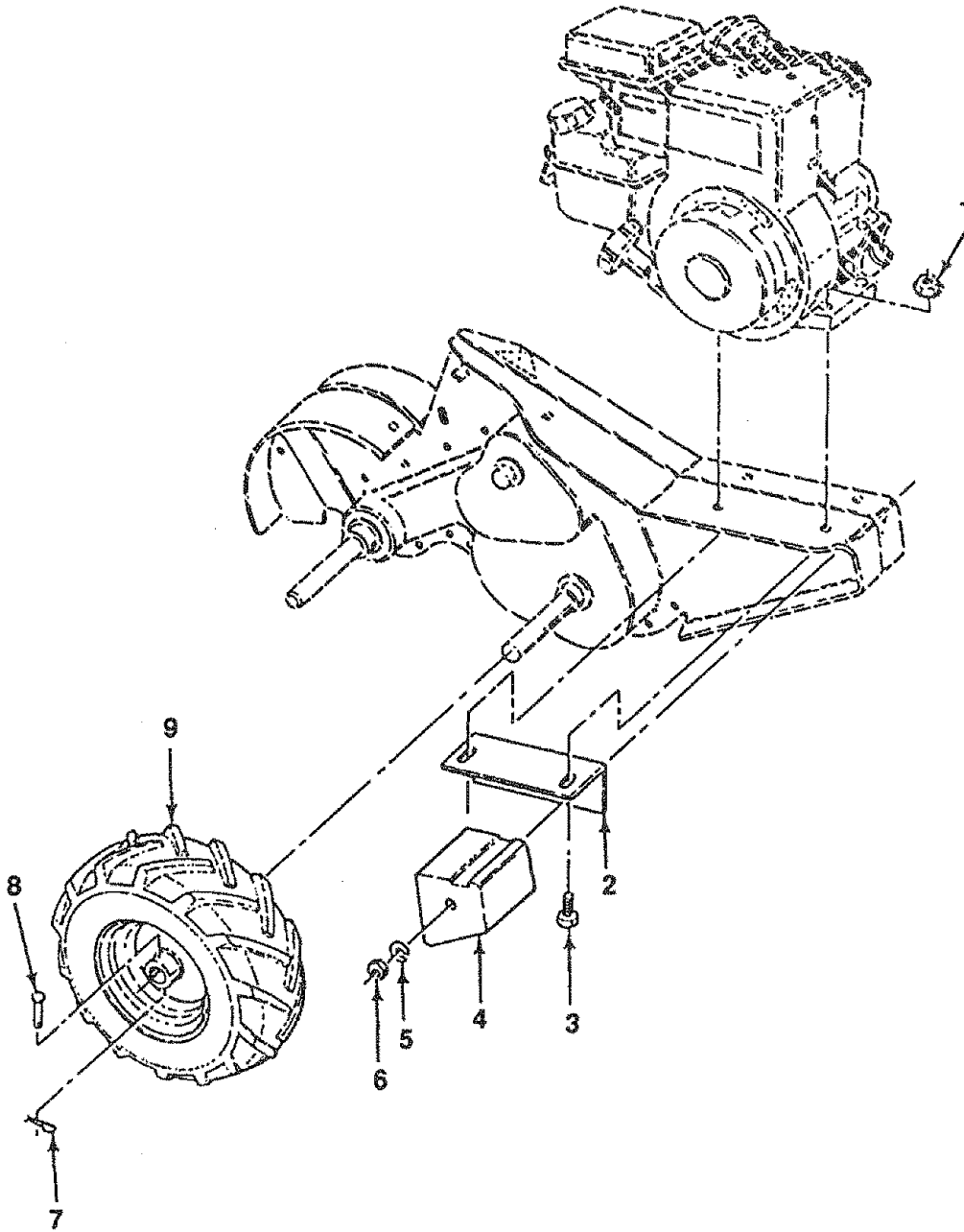
* STANDARD HARDWARE--PURCHASE LOCALLY

NOTE: All component dimensions given in U.S. inches.
1 inch = 25.4 mm

REPAIR PARTS

5 HP 17" CRT TILLER -- MODEL NUMBER 917.299691

MAINFRAME, RIGHT SIDE



KEY NO.	PART NO.	DESCRIPTION
1	STD541431	* Nut, Keps 5/16-18
2	102332X	Bracket, Reinforcement
3	74760524	Bolt, Hex 5/16-18 x 1-1/2
4	102173X	Counterweight, R.H.
5	STD551137	* Washer, Lock 3/8
6	STD541037	* Nut, Hex 3/8-16
7	STD624003	* Clip, Hairpin
8	126875X	Rivet, Drilled

KEY NO.	PART NO.	DESCRIPTION
9	5015J	Tire
	124366X	Rim
	795R	Valve, Tire
--	123081X	Decal, Engine
--	127520	Decal, U.S.A.
--	110719X	Decal, Operation and Lubrication

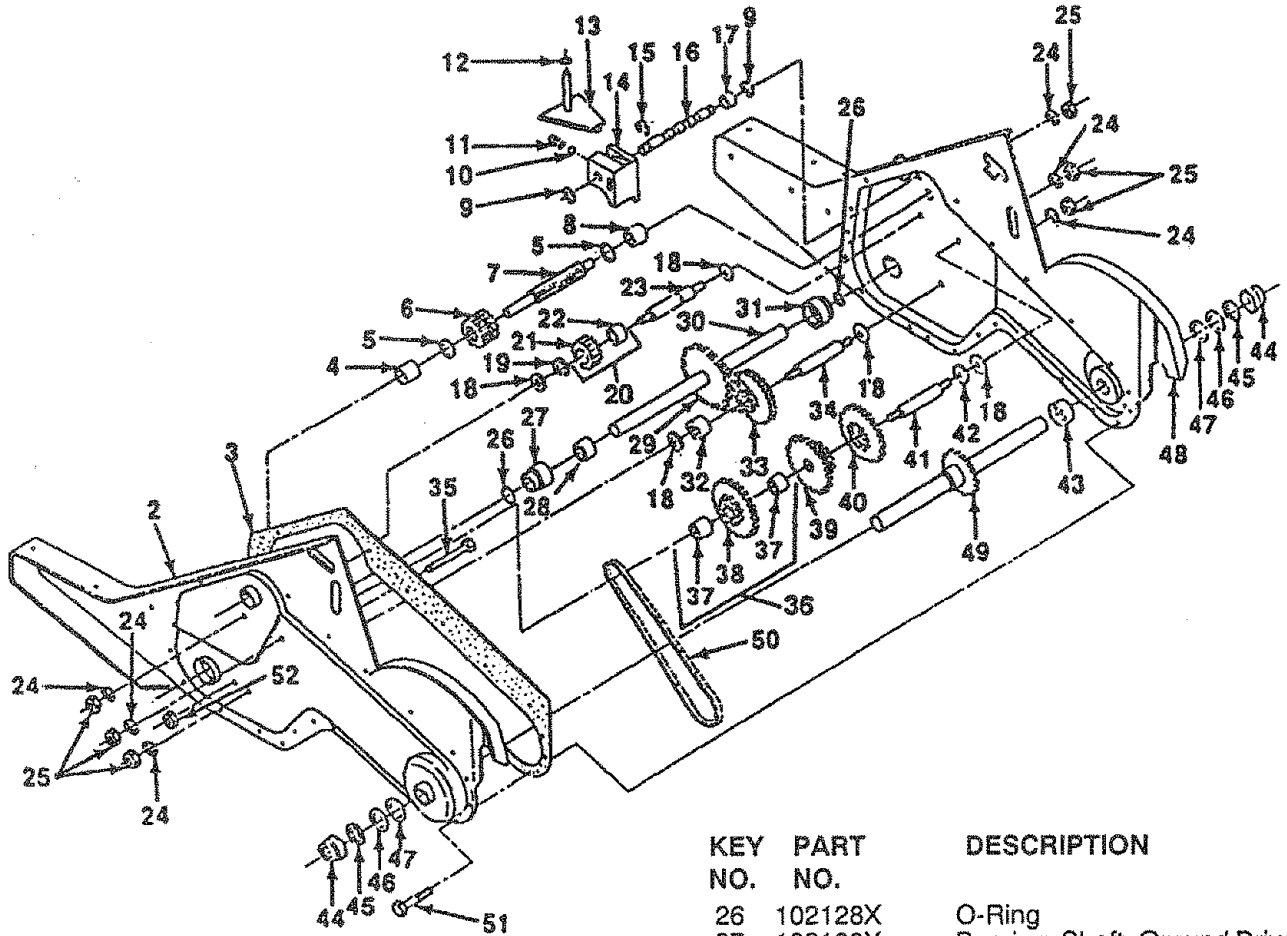
* STANDARD HARDWARE--PURCHASE LOCALLY

NOTE: All component dimensions given in U.S.inches.
1inch = 25.4 mm

REPAIR PARTS

5 HP 17" CRT TILLER -- MODEL NUMBER 917.299691

TRANSMISSION



KEY NO.	PART NO.	DESCRIPTION
1353	124357X	Transmission Assembly (Includes Key Nos. 2-52)
2	121147X	Gearcase, L.H. w/Bearing (Includes Key No. 4)
3	106211X	Gasket, Gearcase
4	5020J	Bearing, Needle
5	1370H	Washer, Thrust 5/8 x 1.10 x 1/32
6	102113X	Pinion, Input
7	102110X	Shaft, Input
8	4895H	Bearing, Needle
9	102136X	Washer, Seal
10	7392M	Ball, Steel
11	100371K	Spring, Shift, Fork
12	106160X	O-Ring
13	102107X	Arm, Shift
14	8353J	Fork, Shift
15	12000039	Ring, Klip
16	102109X	Shaft, Shift
17	104159X	Spacer, Split
18	4358J	Washer
19	12000040	Ring, Klip
20	102114X	Gear, Assembly, Reverse Idler (Includes Key Nos. 21 and 22)
21	102115X	Gear, Reverse Idler
22	6803J	Bearing, Needle
23	102111X	Shaft, Reverse Idler
24	STD551143	* Washer, Lock 7/16
25	STD551143	* Nut, Hex 7/16-20

KEY NO.	PART NO.	DESCRIPTION
26	102128X	O-Ring
27	102100X	Bearing, Shaft, Ground Drive
28	106390X	Spacer 0.765 x 1.125 x 1.23
29	102134X	Chain #35-50 Pitch
30	124458X	Ground Shaft Assembly
31	102106X	Bearing, Shaft, Ground Drive
32	106388X	Spacer 0.70 x 1.00 x 1.150
33	102121X	Sprocket and Gear Assembly
34	102112X	Shaft, Reduction (2nd)
35	102101X	Screw, Whiz, Lock 5/16-18 x 3-1/2
36	124358X	Sprocket Assembly w/Bearing (Includes Key Nos. 37 and 38)
37	4422J	Bearing, Needle
38	124359X	Sprocket, Tine
39	105345X	Gear, Cluster, Red 1st & 2nd
40	105346X	Gear, Reverse
41	8358J	Shaft, Reduction (1st)
42	4220R	Washer, Thrust
43	106146X	Spacer 1.01 x 1.75 x 0.760
44	9672R	Cup, Formed
45	102144X	Ring, Spiral
46	9676R	Seal, Ring, Rubber
47	9674R	Seal, Oil
48	121745X	Gearcase, R.H. w/Bearing (Includes Key No. 8)
49	106144X	Shaft, Tine
50	124361X	Chain, Roller #50-50 Pitch
51	17580408	Screw 1/4-20 x 1/2
52	STD541031	* Nut, Hex 5/16-18
53	6066J	Grease, Plastilube #1

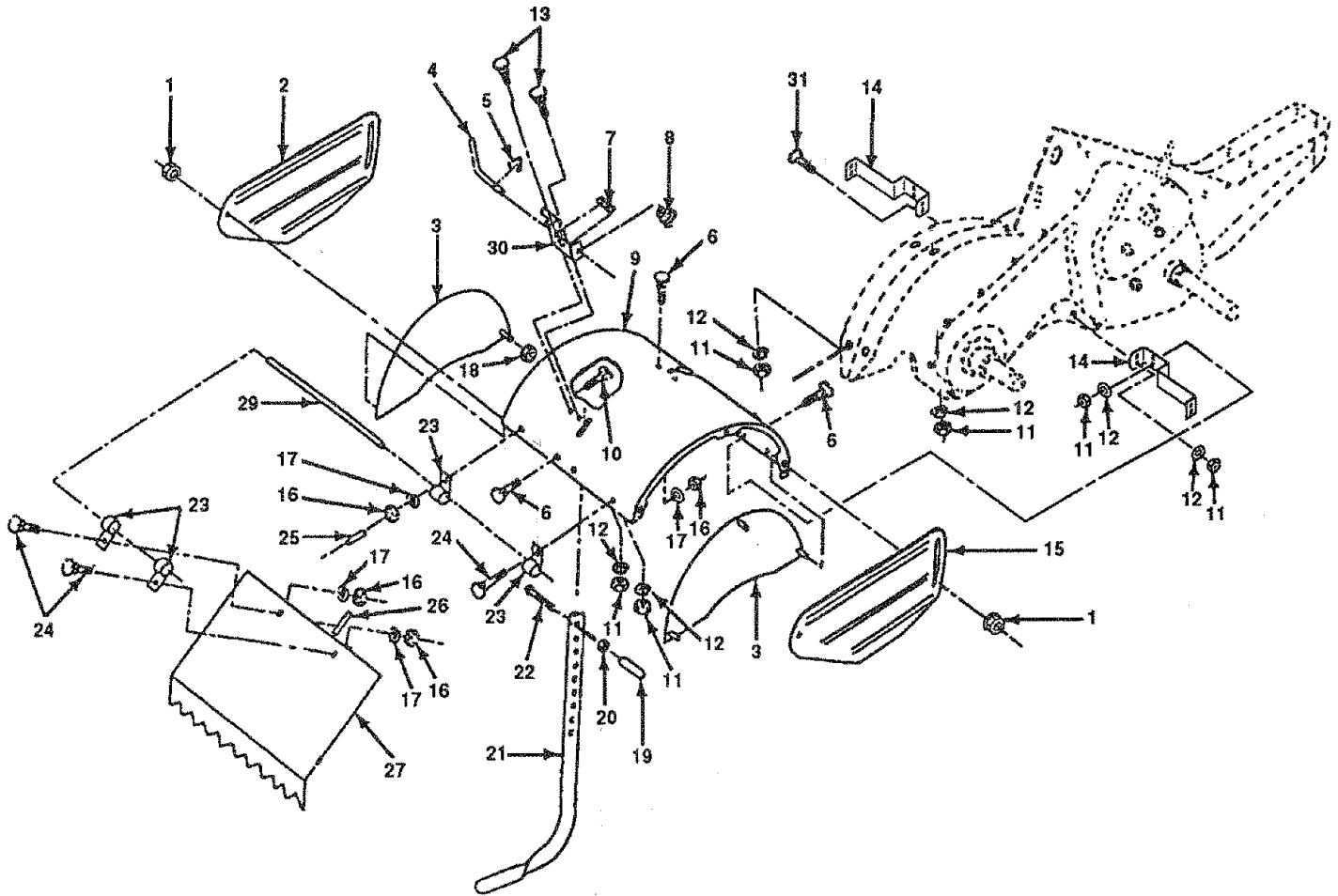
* STANDARD HARDWARE--PURCHASE LOCALLY

NOTE: All component dimensions given in U.S. inches.
1 inch = 25.4 mm

REPAIR PARTS

5 HP 17" CRT TILLER -- MODEL NUMBER 917.299691

TINE SHIELD



KEY NO.	PART NO.	DESCRIPTION
1	98000129	Nut, Flange 5/16-18
2	104086X417	Shield, Side, Outer L. H.
3	124309X417	Shield, Side
4	8393J	Pin, Stake, Depth
5	12000036	Ring, Klip
6	STD533107	* Bolt, Carriage 5/16-18 x 3/4 Gr 5
7	8394J	Spring
8	109230X	Spring, Stake, Depth
9	124289X417	Shield, Tine
10	STD532512	* Bolt, Carriage 1/4-20 x 1-1/4 Gr. 5
11	STD541031	* Nut, Hex 5/16-18
12	STD551131	* Washer, Lock 5/16
13	72110508	Bolt, Carriage 5/16-18 x 1
14	124311X	Bracket, Shield, Tine
15	104101X417	Shield, Side, Outer R.H.
16	STD541025	* Nut, Hex 1/4-20
17	STD551125	* Washer, Lock 1/4
18	73970500	Locknut, Hex, Flange

KEY NO.	PART NO.	DESCRIPTION
19	102701X	Grip
20	STD541037	* Nut, Hex 3/8-16
21	102156X	Stake, Depth
22	74930632	Bolt, Hex 3/8-16 x 2
23	4440J	Hinge
24	STD532505	* Bolt, Carriage 1/4-20 x 1/2 Gr. 5
25	6712J	Cap, Vinyl
26	109227X	Pad, Idler
27	102695X417	Shield, Leveling
29	120588X	Pin, Hinge
30	8392J	Bracket, Latch
31	72110510	Bolt, Carriage 5/16-18 x 1-1/4
--	120075X	Decal, Warning (Leveling Shield)
--	127807	Decal, Tine Shield

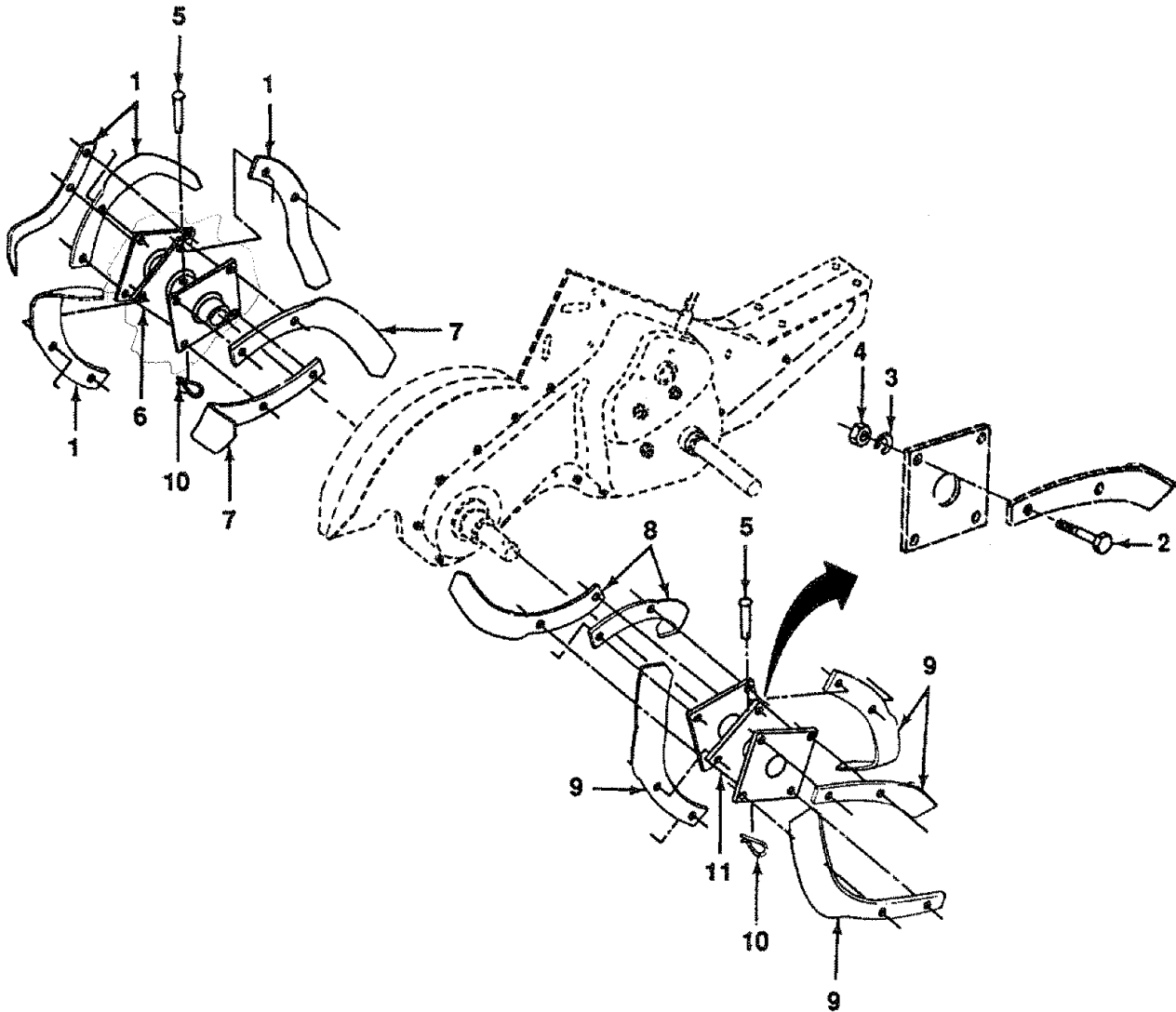
* STANDARD HARDWARE--PURCHASE LOCALLY

NOTE: All component dimensions given in U.S. inches.
1 inch = 25.4 mm

REPAIR PARTS

5 HP 17" CRT TILLER -- MODEL NUMBER 917.299691

TINES



KEY NO.	PART NO.	DESCRIPTION
1	4459J	Tine, L. H. Outer
2	74610616	Bolt, Hex 3/8-24 x 1
3	STD551137	* Washer, Lock 3/8
4	73610600	Nut, Hex 3/8-24
5	4929H	Pin, Clevis
6	102380X	Assembly, Hub and Plate, L. H.

KEY NO.	PART NO.	DESCRIPTION
7	6554J	Tine, L. H. Inner
8	6555J	Tine, R. H. Inner
9	4460J	Tine, R. H. Outer
10	STD624008	* Clip, Hairpin
11	102382X	Assembly, Hub and Plate, R. H.

* STANDARD HARDWARE--PURCHASE LOCALLY

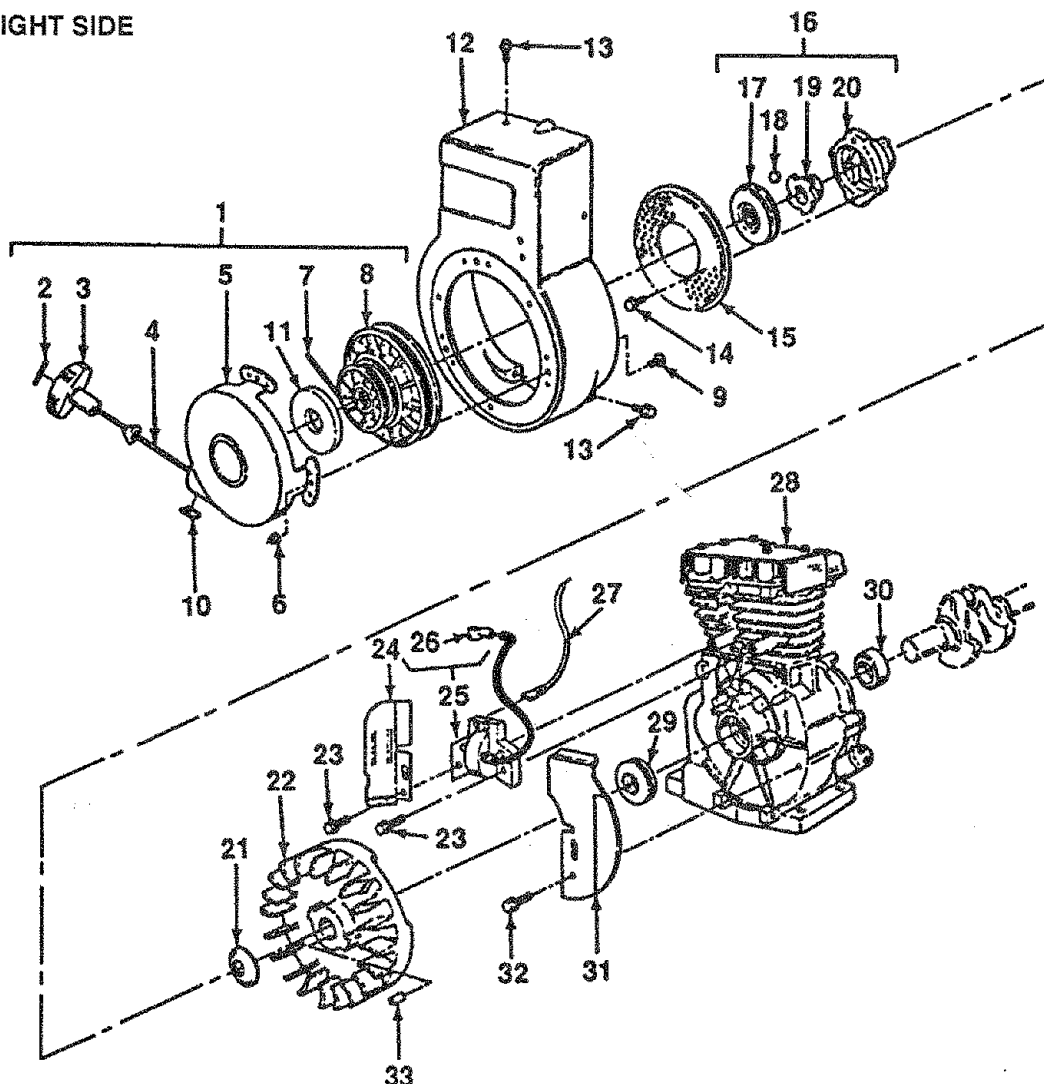
NOTE: All component dimensions given in U.S. inches.
1 inch = 25.4 mm

REPAIR PARTS

5 HP 17" CRT TILLER -- MODEL NUMBER 917.299691

ENGINE - BRIGGS & STRATTON-- MODEL NUMBER 130202, TYPE NUMBER 3129-01

ENGINE, RIGHT SIDE



KEY PART NO.	PART NO.	DESCRIPTION
1	390463	Starter Assembly, Rewind (Inc. Key No's 2-9)
2	230228	Pin, Starter Grip
3	66728	Grip, Starter Rope (Inc. Key No. 2)
4	66884	Rope, Starter 63" Long
5	299431	Housing, Starter (Inc. Key No's 6 and 9)
6	92987	Nut, Hex
7	490179	Spring, Starter
8	295871	Pulley, Starter (Inc. Key No. 4)
9	94128	Screw, Starter Housing Mounting
10	222598	Anchor, Spring
11	490817	Spacer
12	490169	Housing, Blower
13	93158	Screw, Blower Housing Mounting
14	93490	Screw, Sem
15	221923	Screen, Starter Pulley
16	399671	Clutch Assembly (Inc. Key No's 17-20)
17	394506	Washer, Clutch Retainer

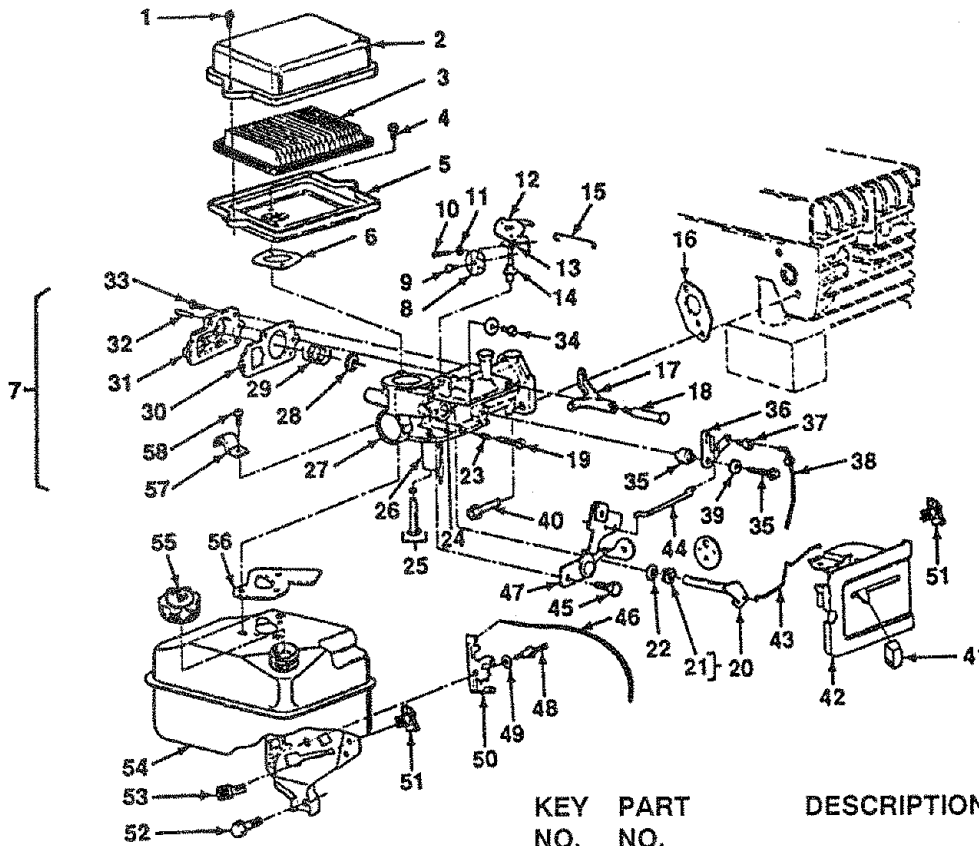
KEY PART NO.	PART NO.	DESCRIPTION
18	63770	Ball, Clutch
19	298799	Ratchet
20	394897	Housing, Starter Clutch
21	220865	Washer, Spring
22	297229	Flywheel, Magneto
23	93414	Screw, Armature Mtg. Sem
24	223886	Guide, Air
25	397358	Armature Assembly (Inc. Key No. 26)
26	221798	Cable, Terminal Ignition
27	398808	Wire, Ground
28	395990	Cylinder Assembly (Inc. Key No. 29)
29	299819	Seal, Oil
30	297565	* Bushing, Cylinder (Inc. Key No. 29)
31	222443	Guard, Flywheel
32	93705	Screw, Flywheel Guard
33	222698	Key, Flywheel

* REQUIRES SPECIAL TOOLS TO INSTALL

REPAIR PARTS

5 HP 17" CRT TILLER -- MODEL NUMBER 917.299691
 ENGINE - BRIGGS & STRATTON -- MODEL NUMBER 130202, TYPE NUMBER 3129-01

ENGINE, REAR



KEY NO.	PART NO.
1	490073
2	223765
3	399959
4	94018
5	490074
6	271935
7	492611
8	223793
9	93499
10	93527
11	260575
12	490048
13	271853
14	398970
15	262270
16	271936
17	280720
18	231520
19	231533
20	491177
21	270382
22	221839
23	26336
24	223789
25	391813
27	220352
28	221377
29	262328
30	270026

DESCRIPTION
Screw, Cover Mounting
Cover, Air Cleaner
Filter, Air
Screw, Air Cleaner
Base, Air Cleaner
** Gasket, Air Cleaner Mtg.
Carburetor Assembly (Inc. Key No's 8 thru 33)
Throttle, Carburetor
Screw, Throttle Valve to Shaft Sem
Screw, Machine
Spring, Throttle Adjustment
Shaft and Lever, Throttle
Washer, Throttle Shaft (Foam)
Seal, Throttle Shaft
Link, Throttle
** Gasket, Carburetor Mtg. (2)
Crank, Bell
Screw, Shoulder
Valve, Needle
Valve, Group, Choke (Inc. Key No's 21 and 22)
Washer, Choke Shaft (Felt)
Washer, Choke Shaft
Spring, Needle Valve
Plug, Welch
Fuel Pipe and Clip
Plug, Welch
Cap, Spring
Spring, Fuel Pump Diaphragm
Diaphragm

KEY NO.	PART NO.	DESCRIPTION
31	210959	Cover, Diaphragm
32	93265	Pin, Diaphragm Cover
33	93141	Screw, Diaphragm Cover
34	93543	Screw, Fil. Hd.
35	490589	Screw and Collar
36	223813	Crank, Bell
37	490507	Retainer, Rod
38	262279	Rod, Control
39	220982	Washer
40	93357	Screw, Hex Hd.
41	280715	Knob, Control
42	490649	Control Panel (Inc. Key No's 37, 41, and 51)
43	262359	Link, Choke
44	262470	Link, Throttle
45	93572	Screw
46	262282	Spring, Governor
47	491577	Control, Throttle
48	93491	Rivet, Governor Control Lever Mtg.
49	222962	Bushing, Governor Lever (Flat)
50	223455	Lever, Governor Control
51	396847	Switch, Stop
52	94409	Screw, Tank Bracket Mtg. Sem
53	280321	Gear Rack, Governor
54	490554	Tank, Fuel (Inc. Key No's 48, 49, 50, and 55)
55	490075	Cap, Fuel Tank
56	271928	** Gasket, Fuel Tank Mounting
57	223786	Clamp, Breather Tube
58	94094	Screw, Fuel Tank Mtg.. Sem

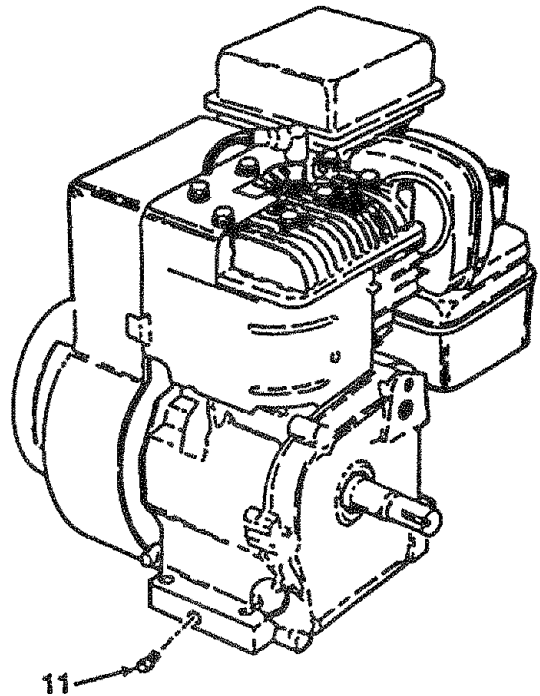
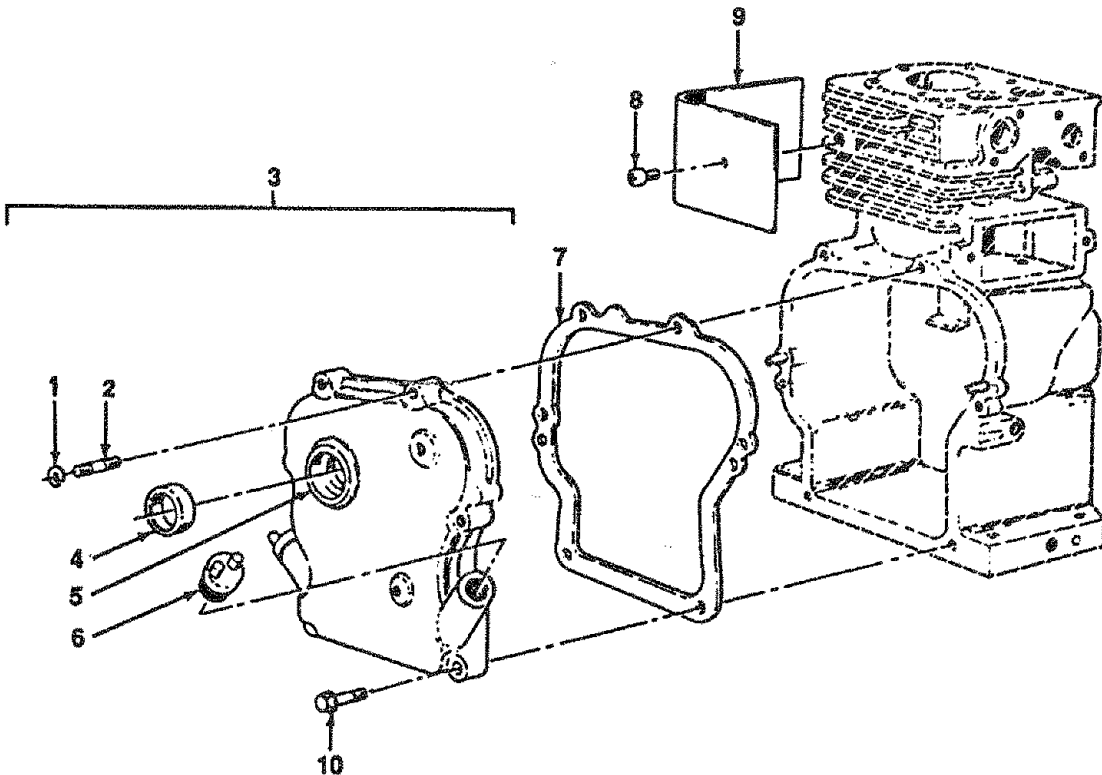
** INCLUDED IN GASKET SET NO. 397145

REPAIR PARTS

5 HP 17" CRT TILLER -- MODEL NUMBER 917.299691

ENGINE - BRIGGS & STRATTON -- MODEL NUMBER 130202, TYPE NUMBER 3129-01

ENGINE, LEFT SIDE



KEY NO.	PART NO.	DESCRIPTION
1	90832	Washer, Lock
2	93656	Stud
3	297602	Cover Assembly, Crankcase (Inc. Key No.'s 5,6, and 7)
4	294606	Seal, Oil
5	297603	* Bushing, Crankcase Cover
6	66768	Plug, Oil Filler
7	270080	** Gasket, Crankcase .015" thick
8	93490	Screw, Cylinder Shield Mtg. Sem
9	221511	Shield, Cylinder
10	93032	Screw, Crankcase Cover Mt.g.
11	91249	Plug, Pipe 1/4" Std. (Square Head)

* REQUIRES SPECIAL TOOLS TO INSTALL

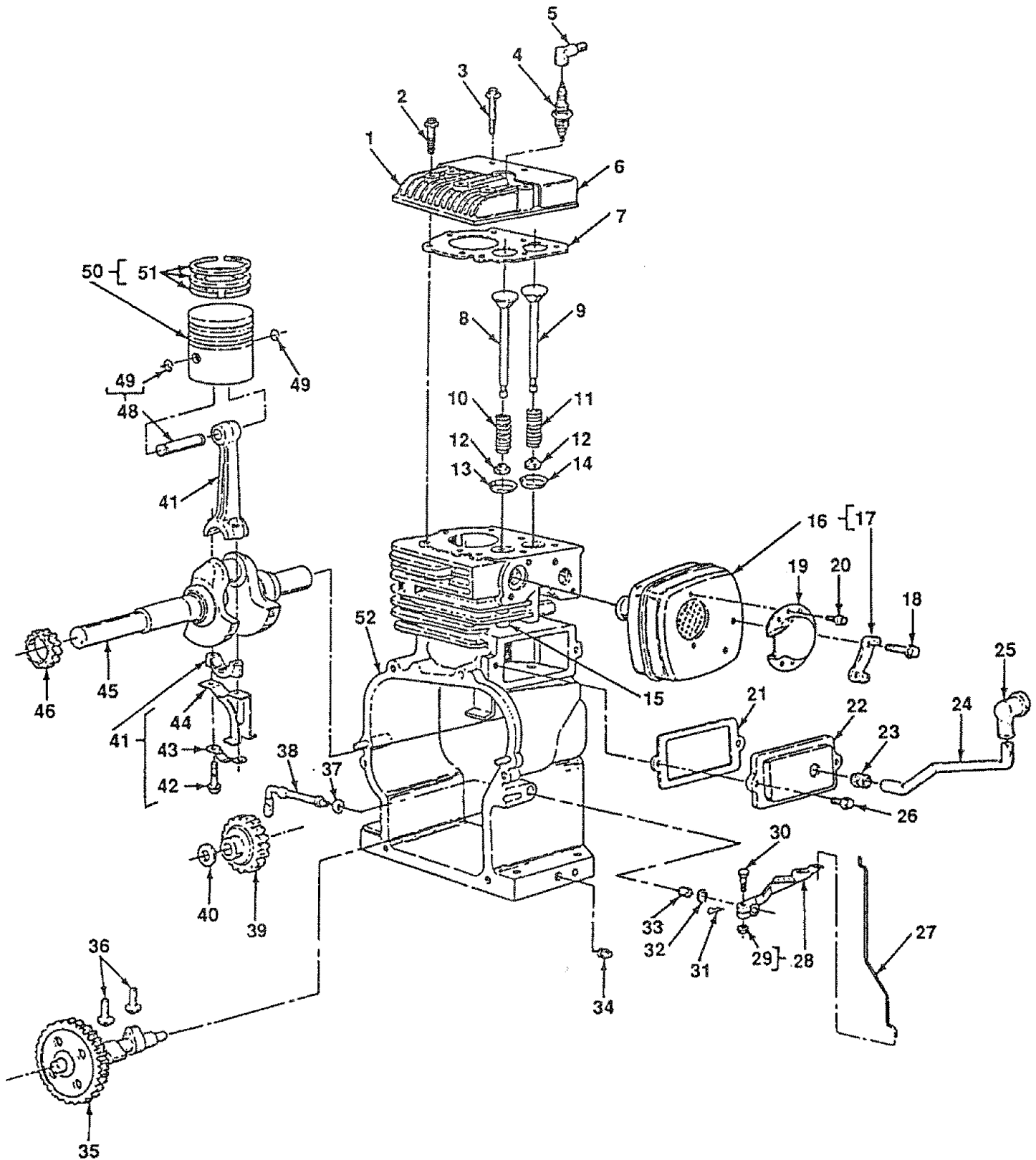
** INCLUDED IN GASKET SET NO. 397145

REPAIR PARTS

5 HP 17" CRT TILLER -- MODEL NUMBER 917.299691

ENGINE - BRIGGS & STRATTON -- MODEL NUMBER 130202, TYPE NUMBER 3129-01

ENGINE, INTERNAL PARTS



REPAIR PARTS

5 HP 17" CRT TILLER -- MODEL NUMBER 917.299691

ENGINE - BRIGGS & STRATTON -- MODEL NUMBER 130202, TYPE NUMBER 3129-01

ENGINE, INTERNAL PARTS

KEY NO.	PART NO.	DESCRIPTION	KEY NO.	PART NO.	DESCRIPTION
1	211542	Head, Cylinder	29	231082	Nut, Hex No. 10-24
2	94221	Screw, Cylinder Head-2-3/32 ID	30	92613	Bolt, Governor Lever
3	93369	Screw, Cylinder Head-2-15/32 ID	31	93306	Cotter, Hairpin
4	293918	Plug, Spark Resistor	32	93307	Retainer, E-Ring
5	66538	Elbow, Spark Plug	33	231079	Bushing, Governor Crank (1/4" ID)
6	221512	Cover, Cylinder Head	34	93448	Plug, Pipe (Hex Socket)
7	272157	** Gasket, Cylinder Head	35	212733	Gear, Cam
8	211119	Valve, Exhaust	36	260642	Tappet, Valve
9	261044	Valve, Intake	37	222450	Washer, Governor Lever
10	26478	Spring, Exhaust Valve	38	231077	Crank, Governor (1/4" Dia.)
11	260552	Spring, Intake Valve	39	391737	Gear, Governor
12	93312	Retainer, Valve Spring	40	221551	Washer, Thrust
13	211172	* Seat, Exhaust Valve (Std.)	41	299430	Rod Assembly, Connecting (Inc. Key No.'s 42 to 44) NOTE: For connecting Rod with .020" undersize Crankpin Bore, Order No. 390459
14	211787	* Seat, Intake Valve (Std.)	42	92296	Screw, Connecting Rod
15	262001	* Guide, Exhaust Valve	43	221876	Lock, Connecting Rod Screw
16	393615	Muffler, Exhaust (Inc. Key No's 17 and 18)	44	221890	Dipper, Connecting Rod
17	222263	Lock, Screw	45	397103	Crankshaft
18	93935	Screw, Hex Hd. Shoulder	46	261696	Gear, Timing
19	393757	Deflector, Exhaust, Side Outlet (Inc. Key No. 20)	48	298909	Pin Assembly, Piston Std. (Inc. Key No. 49)
20	93705	Screw	49	26026	Lock, Piston Pin
21	27549	** Gasket, Valve Cover	50	298904	Piston Assembly, Std. (Inc. Key No. 51)
22	294178	Breather, Valve Chamber	51	298982	Ring Set, Piston, Std.
23	66578	Grommet, Breather Tube	52	395990	Cylinder Assembly
24	231526	Tube, Breather			
25	67838	Grommet, Breather Tube			
26	93394	Screw, Breather Mounting			
27	262280	Link, Governor			
28	490374	Lever Assembly, Governor (Inc. Key No's 29 and 30)			

* REQUIRES SPECIAL TOOLS TO INSTALL

** INCLUDED IN GASKET SET NO. 397145

OPTIONAL EQUIPMENT AND SPECIAL TOOLS:

- 392193 Spark Arresting Muffler Assembly, Consists of the following:
 - 391913 Screen (1 required)
 - 222535 Deflector (1 required)
 - 93705 Screw (4 required)
- 397145 Gasket Set
- 89838 Spark Plug Wrench
- 19069 Flywheel Puller

SEARS
OWNER'S
MANUAL

MODEL NO.
917.299691

**HOW TO ORDER
REPAIR PARTS**

CRAFTSMAN[®]
5.0 HP
17 INCH TINE WIDTH
COUNTER ROTATING TINES
REAR TINE TILLER

Each tiller has its own model number. Each engine has its own model number.

The model number for your tiller will be found on a plate attached to the top of the transmission.

The model number for your engine will be found on the blower housing of the engine adjacent to the spark plug.

All parts listed herein may be ordered from any Sears, Roebuck and Co. Service Center and most Retail Stores.

WHEN ORDERING REPAIR PARTS, ALWAYS GIVE THE FOLLOWING INFORMATION:

- PRODUCT - REAR TINE TILLER
- MODEL NUMBER - 917.299691
- ENGINE MODEL NUMBER - 130202, TYPE NUMBER 3129-01
- PART NUMBER
- PART DESCRIPTION

Your Sears merchandise has added value when you consider Sears has service units nationwide staffed with Sears trained technicians... professional technicians specifically trained to insure that we meet our pledge to you, we service what we sell.

Sears, Roebuck and Co., Chicago, IL 60684 U.S.A.