

Owner's Manual

**CRAFTSMAN®**

**6.0 HORSEPOWER  
22 INCH CUT  
WHEELED  
WEEDTRIMMER**

Model No.  
**917.773700**

- Safety
- Assembly
- Operation
- Maintenance
- Español
- Repair Parts



**CAUTION:**  
Read and follow all  
Safety Rules and Instructions  
before operating this equipment.

Sears, Roebuck and Co., Hoffman Estates, IL 60179  
Visit our Craftsman website: [www.sears.com/craftsman](http://www.sears.com/craftsman)

## TABLE OF CONTENTS

Warranty .....	2	Product Specifications .....	9
Safety Rules .....	2	Service and Adjustments .....	12
Assembly .....	5	Storage .....	14
Operation .....	6	Troubleshooting .....	15
Maintenance Schedule .....	9	Repair Parts .....	30
Maintenance .....	9	Parts Ordering .....	Back Cover

## WARRANTY

### LIMITED TWO YEAR WARRANTY ON CRAFTSMAN WEEDTRIMMER

For two years from date of purchase, when this Craftsman Weedtrimmer is maintained, lubricated, and tuned up according to the operating and maintenance instructions in the owner's manual, Sears will repair free of charge any defect in material or workmanship.

If this Craftsman Weedtrimmer is used for commercial or rental purposes, this warranty applies for only 90 days from the date of purchase.

This Warranty does not cover:

- Expendable items which become worn during normal use, such as rotating lines, belts, air cleaners and spark plug.
- Repairs necessary because of operator abuse or negligence, including bent crankshafts and the failure to maintain the equipment according to the instructions contained in the owner's manual.

Warranty service is available by returning the Craftsman Weedtrimmer to the nearest Sears Service Center in the United States. This warranty applies only while this product is in use in the United States.

This Warranty gives you specific legal rights, and you may also have other rights which vary from state to state.

Sears, Roebuck and Co., Dept. 817 WA, Hoffman Estates, IL 60179

**WARNING:** This trimmer is equipped with an internal combustion engine and should not be used on or near any unimproved forest-covered, brush-covered or grass-covered land unless the engine's exhaust system is equipped with a spark arrester meeting applicable local or state laws (if any). If a spark arrester is used, it should be maintained in effective working order by the operator.

In the state of California the above is required by law (Section 4442 of the California Public Resources Code). Other states may have similar laws. Federal laws apply on federal lands. A spark arrester for the muffler is available through your nearest Sears service center (see the REPAIR PARTS section of this manual).



## SAFETY RULES



The operation of any trimmer can result in foreign objects being thrown into the eyes, which can result in severe eye damage. Always wear safety glasses or eye shields while operating your trimmer or performing any adjustments or repairs. We recommend a wide vision safety mask over spectacles or standard safety glasses.

### I. GENERAL OPERATION

- Read, understand, and follow all instructions on the machine and in the manual before starting. Be thoroughly familiar with the controls and the proper use of the machine before starting.
- Do not put hands or feet near or under rotating parts.
- Keep all parts of your body away from muffler and spinning line. A hot muffler can cause serious burns.
- Only allow responsible individuals, who are familiar with the instructions, to operate the machine.
- Stay away from breakable objects, such as house windows, auto glass, greenhouses, etc.
- Clear the area of objects such as rocks, toys, wire, bones, sticks, etc., which could be picked up and thrown by the spinning lines.
- Be sure the area is clear of other people before trimming, particularly small children and pets. Stop machine if anyone enters the area.
- Wear appropriate clothing such as a long-sleeved shirt or jacket. Also wear long trousers or slacks. Do not wear shorts.
- Do not wear loose clothing which could get caught in this equipment.
- Do not operate the machine when barefoot or wearing open sandals. Always wear work gloves and sturdy footwear. Leather work shoes or short boots work well for most people. These will protect the operator's ankles and shins from small sticks, splinters, and other debris, and improve traction.
- Do not pull machine backwards unless absolutely necessary. Always look down and behind before and while moving backwards.
- Do not operate the machine without proper guards, plates or other safety protective devices in place.
- See manufacturer's instructions for proper operation and installation of accessories. Only use accessories approved by the manufacturer.
- Never use blades, wire, or flailing devices. This unit is designed for line trimmer use only. Use of other accessories or attachments will increase the risk of injury.
- Stop the rotating trimmer head when crossing gravel drives, walks, or roads. Wait for the cutting lines to stop rotating.
- Stop the engine (motor) whenever you leave the equipment and allow it to cool, before cleaning, repairing or inspecting the unit. Be sure the trimmer head and all moving parts have stopped.
- Operate only in daylight or good artificial light.
- Do not operate the machine while under the influence of alcohol or drugs.
- Never operate machine in wet grass. Always be sure of your footing: keep a firm hold on the handle and walk; never run.
- If the equipment should start to vibrate abnormally, stop the engine (motor) and check immediately for the cause. Vibration is generally a warning of trouble.
- Always wear safety goggles or safety glasses with side shields when operating machine.

## II. SLOPE OPERATION

Slopes are a major factor related to slip and fall accidents which can result in severe injury. All slopes require extra caution. If you feel uneasy on a slope, do not trim it.

### DO:

- Trim across the face of slopes: never up and down. Exercise extreme caution when changing direction on slopes.
- Remove obstacles such as rocks, tree limbs, etc.
- Watch for holes, ruts, or bumps. Tall grass can hide obstacles.

### DO NOT:

- Do not trim near drop-offs, ditches or embankments. The operator could lose footing or balance.
- Do not trim excessively steep slopes.
- Do not trim on wet grass. Reduced footing could cause slipping.

## III. CHILDREN

Tragic accidents can occur if the operator is not alert to the presence of children. Children are often attracted to the machine and the trimming activity. Never assume that children will remain where you last saw them.

- Keep children out of the trimming area and under the watchful care of another responsible adult.
- Be alert and turn machine off if children enter the area.
- Before and while moving backwards, look behind and down for small children.
- Never allow children to operate the machine.
- Use extra care when approaching blind corners, shrubs, trees, or other objects that may obscure vision.

## IV. SERVICE

- Use extra care in handling gasoline and other fuels. They are flammable and vapors are explosive.
  - Use only an approved container.
  - Never remove gas cap or add fuel with the engine running. Allow engine to cool before refueling. Do not smoke.
  - Never refuel the machine indoors.
  - Never store the machine or fuel container inside where there is an open flame, such as a water heater.

- Move away from fueling site before starting engine.
- Never run a machine inside a closed area.
- Never make adjustments or repairs with the engine (motor) running. Disconnect the spark plug wire, and keep the wire away from the plug to prevent accidental starting.
- Keep nuts and bolts, especially trimmer head and engine bolts, tight and keep equipment in good condition.
- Never tamper with safety devices. Check their proper operation regularly.
- Keep machine free of grass, leaves, or other debris buildup. Clean oil or fuel spillage. Allow machine to cool before cleaning or storing.
- Stop and inspect the equipment if you strike an object. Repair, if necessary, before restarting.
- Do not change the engine governor setting or overspeed the engine.
- Clean and replace safety and instruction decals as necessary.

**⚠** Look for this symbol to point out important safety precautions. It means CAUTION!!! BECOME ALERT!!! YOUR SAFETY IS INVOLVED.

**⚠ WARNING:** In order to prevent accidental starting when setting up, transporting, adjusting or making repairs, always disconnect spark plug wire and place wire where it cannot contact spark plug.

**⚠ CAUTION:** Muffler and other engine parts become extremely hot during operation and remain hot after engine has stopped. To avoid severe burns on contact, stay away from these areas.



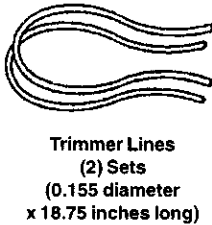
**⚠ WARNING:** Engine exhaust, some of its constituents, and certain vehicle components contain or emit chemicals known to the State of California to cause cancer and birth defects or other reproductive harm.

## ASSEMBLY

Read these instructions and this manual in its entirety before you attempt to assemble or operate your new trimmer.

**IMPORTANT:** This trimmer is shipped WITHOUT OIL OR GASOLINE in the engine. Your new trimmer has been assembled at the factory with the exception of those parts left unassembled for shipping purposes. All parts such as nuts, washers, bolts, etc., necessary to complete the assembly have been placed in the parts bag. To ensure safe and proper operation of your trimmer, all parts and hardware you assemble must be tightened securely. Use the correct tools as necessary to ensure proper tightness.

### Loose Parts Packed Separately



### TO REMOVE TRIMMER FROM CARTON

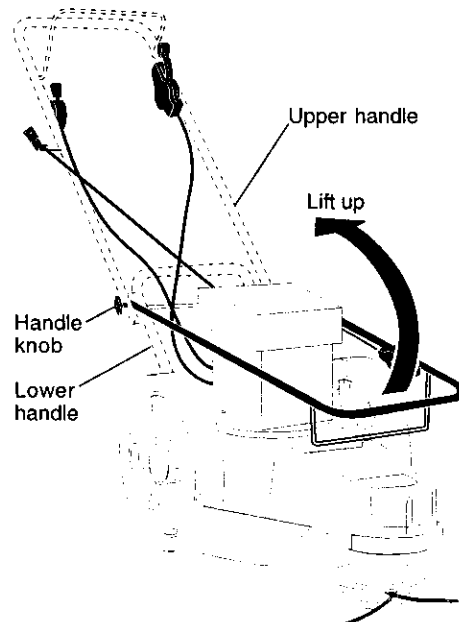
1. Remove loose parts included with trimmer.
2. Cut down two end corners of carton and lay end panel down flat.
3. Remove all packing materials.
4. Roll trimmer out of carton and check carton thoroughly for additional loose parts.

### HOW TO SET UP YOUR TRIMMER TO UNFOLD HANDLE

**IMPORTANT:** Unfold handle carefully so as not to pinch or damage control cables.

1. Loosen handle knob enough to allow upper handle to be unfolded from the shipping position.
2. Raise upper handle section into place on lower handle and tighten handle knob.
3. Remove handle padding holding trimmer head control bar to upper handle.

Your trimmer handle can be adjusted for your trimming comfort. Refer to "ADJUST HANDLE" in the Service and Adjustments section of this manual.



## OPERATION

### KNOW YOUR TRIMMER

READ THIS OWNER'S MANUAL AND SAFETY RULES BEFORE OPERATING YOUR TRIMMER. Compare the illustrations with your trimmer to familiarize yourself with the location of various controls and adjustments. Save this manual for future reference.

These symbols may appear on your trimmer or in literature supplied with the product. Learn and understand their meaning.

**WARNING**  
**AVOID SERIOUS INJURY OR DEATH**

READ AND FOLLOW OWNER'S MANUAL.  
 LEA Y SIGA EL MANUAL DEL PROPIETARIO.

DO NOT OPERATE WHEN CHILDREN OR OTHERS ARE AROUND. REMOVE OBJECTS THAT COULD BE THROWN BY THE CUTTING LINES.

DO NOT SERVICE OR ADJUST CUTTING HEAD OR OTHER MOVING PARTS UNLESS ENGINE IS STOPPED AND SPARK PLUG WIRE IS DISCONNECTED.

WEAR SAFETY APPROVED EYE PROTECTION WHEN OPERATING.

GO ACROSS SLOPES NOT UP AND DOWN.

- KEEP SAFETY DEVICES, SUCH AS GUARDS AND DEFLECTORS, IN PLACE AND OPERATING.
- LOOK DOWN AND BEHIND BEFORE AND WHILE MOVING BACKWARDS.



CAUTION



ENGINE OFF



FAST



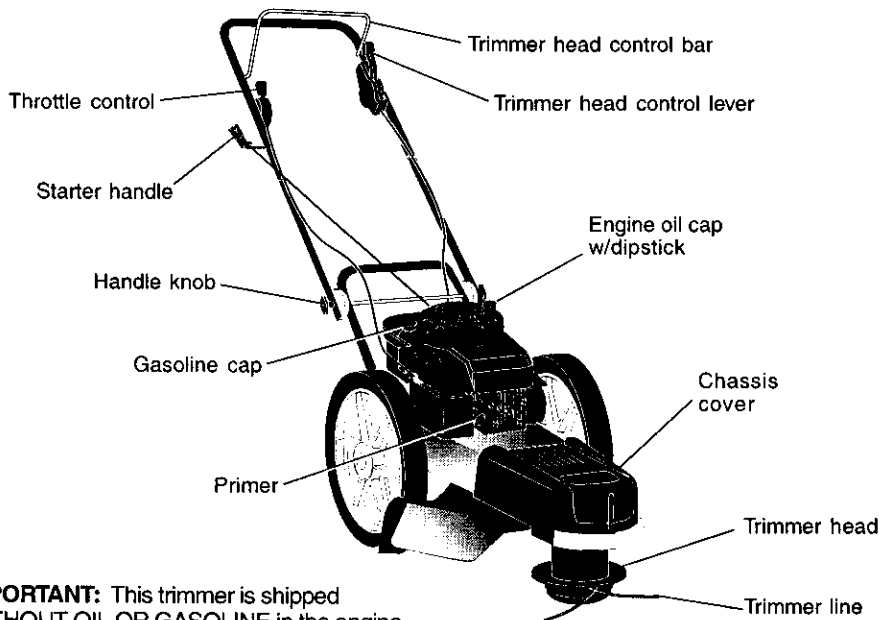
SLOW



FUEL



OIL



**IMPORTANT:** This trimmer is shipped WITHOUT OIL OR GASOLINE in the engine.

**Trimmer head control bar** - must be held down to the handle to engage trimmer head. Release to stop the trimmer head.

**Primer** - pumps additional fuel from the carburetor to the cylinder for use when starting a cold engine.

**Throttle control** - used for starting and stopping the engine and allows you to select either fast or slow engine speed.

**Starter handle** - used for starting the engine.

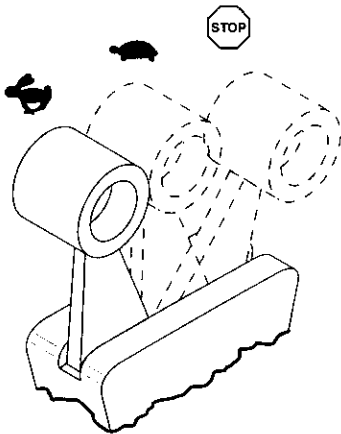
**Trimmer head control lever** - used to engage trimmer head.



The operation of any trimmer can result in foreign objects being thrown into the eyes, which can result in severe eye damage. Always wear safety glasses or eye shields while operating your trimmer or performing any adjustments or repairs. We recommend a wide vision safety mask over spectacles or standard safety glasses.

## HOW TO USE YOUR TRIMMER ENGINE SPEED

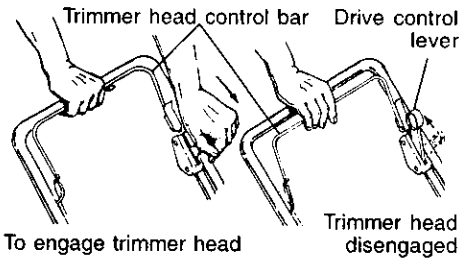
The engine speed is controlled by a throttle located on the side of the upper handle. Fast position is for starting and normal trimming. Slow is for light trimming and fuel economy. Stop is for stopping the engine.



## TRIMMER HEAD DRIVE CONTROL

Your trimmer is equipped with a trimmer head drive control bar and lever which require the operator to be positioned behind the trimmer handle to operate the trimmer.

- Trimmer head rotation is controlled by holding the trimmer head control bar down to the handle and pushing the drive control lever forward until it clicks; then releasing the lever.
- Trimmer head rotation will stop when the control bar is released.

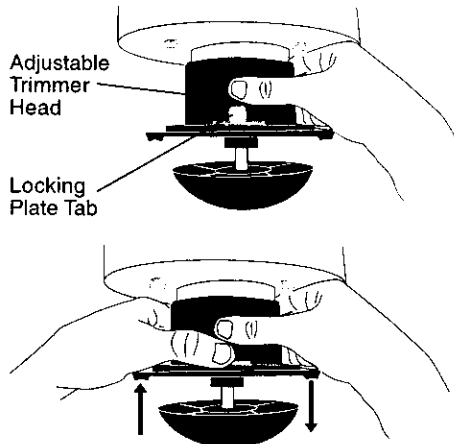


## TO ADJUST TRIMMING HEIGHT

**CAUTION:** Stop the engine and wait for all moving parts to stop. Disconnect spark plug wire from spark plug and place wire where it cannot come in contact with plug.

The height of cut can be set to six (6) different positions ranging from 1-1/2 inches to 3 inches. Recommended cutting height for the average yard is 2 inches.

1. To adjust trimming height, push in the locking plate tab and move trimmer head up or down to desired position.
2. Release tab and be sure head is locked into one of the six (6) height positions.



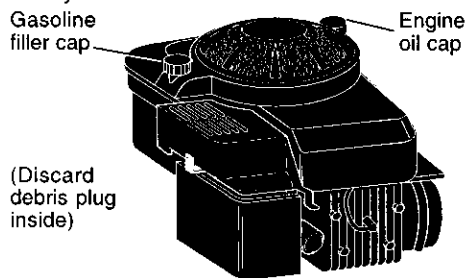
## BEFORE STARTING ENGINE ADD OIL

Your trimmer is shipped without oil in the engine. For type and grade of oil to use, see "ENGINE" in the Maintenance section of this manual.

**CAUTION:** DO NOT overfill engine with oil, or it will smoke on startup.

1. Be sure trimmer is level and area around oil fill is clean.
2. Remove oil dipstick from oil fill spout. Make sure that rim of spout is clean.

3. You receive a 20 oz. container of oil with the unit. Slowly pour 3/4 (15 oz.) of the oil from the container down the oil fill spout into the engine.
  4. Wait one minute to allow oil to settle. Insert and tighten dipstick, then remove it to check oil level.
  5. Continue adding small amounts of oil and rechecking the dipstick until it reads full. DO NOT overfill, or engine will smoke on startup.
  6. Always be sure to retighten oil dipstick before starting engine.
- Check oil level before each use. Add oil if needed. Fill to full line on dipstick.
  - Change the oil after every 25 hours of operation or each season. You may need to change the oil more often under dusty, dirty conditions.



#### ADD GASOLINE

**NOTE:** Before filling fuel tank, remove and discard the debris plug that is inside the tank.

- Fill fuel tank. Use fresh, clean, regular unleaded gasoline with a minimum of 87 octane. Do not mix oil with gasoline. Purchase fuel in quantities that can be used within 30 days to assure fuel freshness.

**⚠WARNING:** Experience indicates that alcohol blended fuels (called gasohol or using ethanol or methanol) can attract moisture which leads to separation and formation of acids during storage. Acidic gas can damage the fuel system of an engine while in storage. To avoid engine problems, the fuel system should be emptied before storage of 30 days or longer. Drain the gas tank, start the engine and let it run until the fuel lines and carburetor are empty. Use fresh fuel next season. See Storage Instructions for additional information. Never use engine or carburetor cleaner products in the fuel tank or permanent damage may occur.

**⚠CAUTION:** Fill to bottom of gas tank filler neck. Do not overfill. Wipe off any

spilled oil or fuel. Do not store, spill or use gasoline near an open flame.

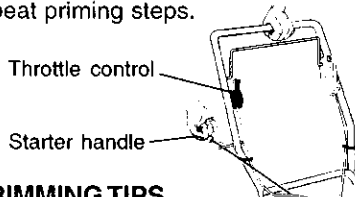
#### TO START ENGINE

1. To start a cold engine, push primer three (3) times before trying to start. Use a firm push. This step is not usually necessary when starting an engine which has already run for a few minutes.
2. Move throttle control lever to fast position.
3. Hold upper handle firmly and pull starter handle quickly. Do not allow starter rope to snap back.

#### TO STOP ENGINE

- To stop engine, move throttle control lever to stop position.

**NOTE:** In cooler weather it may be necessary to repeat priming steps. In warmer weather overpriming may cause flooding and engine will not start. If you do flood engine, wait a few minutes before attempting to start and do not repeat priming steps.



#### TRIMMING TIPS

- Set the throttle control in the fast position. If the weeds or grass are tall and thick, operate the trimmer at a slower walking speed.
- Frequently clean the underside of the trimmer to remove any grass build up. Keep top of engine around starter clear and clean of grass clippings and chaff. This will help engine air flow and extend engine life.
- For best results and longer lasting line, use the ends of the line to do the cutting. This is easily done by moving slowly through very thick and heavy weeds.
- Use the left side of trimmer when trimming along fences, walls, flowerbeds and other such objects.
- If trimmer lines become too short, it will take longer to complete the job. If trimmer lines are worn to less than half their original length, they should be replaced. See "TO REPLACE TRIMMER LINE" in the Maintenance section of this manual.
- Trimmer head contact with concrete, asphalt or other hard surfaces may cause premature wear of the ball on bottom of trimmer head.



# MAINTENANCE

<b>MAINTENANCE SCHEDULE</b>		<div style="display: flex; justify-content: space-around; font-size: small;"> <span>BEFORE EACH USE</span> <span>AFTER EACH USE</span> <span>EVERY 10 HOURS</span> <span>EVERY 25 HOURS OR EVERY SEASON</span> <span>BEFORE STORAGE</span> </div>					SERVICE DATES							
FILL IN DATES AS YOU COMPLETE REGULAR SERVICE														
T R I M M E R	Check for Loose Fasteners	✓				✓								
	Clean Trimmer		✓				✓							
	Clean Under Engine Cover	✓ <sub>2</sub>					✓							
	Check drive belt/pulleys				✓									
	Check/Replace Trimmer Lines	✓ <sub>3</sub>												
E N G I N E	Check Engine Oil Level	✓												
	Change Engine Oil				✓ <sub>1,2</sub>									
	Clean Air Filter				✓ <sub>2</sub>									
	Inspect Muffler				✓									
	Clean or Replace Spark Plug				✓									
	Replace Air Filter Paper Cartridge				✓ <sub>2</sub>									

- 1 - Change more often when operating under a heavy load or in high ambient temperatures.  
 2 - Service more often when operating in dirty or dusty conditions.  
 3 - Replace trimmer lines when they have worn to half their original length.

### GENERAL RECOMMENDATIONS

The warranty on this trimmer does not cover items that have been subjected to operator abuse or negligence. To receive full value from the warranty, operator must maintain trimmer as instructed in this manual.

Some adjustments will need to be made periodically to properly maintain your unit. All adjustments in the Service and Adjustments section of this manual should be checked at least once each season.

- Once a year, replace the spark plug and replace air filter element. A new spark plug and clean/new air filter element assures proper air-fuel mixture and helps your engine run better and last longer.
- Follow the maintenance schedule in this manual.

### BEFORE EACH USE

1. Check engine oil level.
2. Check for loose fasteners.
3. Clean under engine cover.

### LUBRICATION

To prolong the useful life of your trimmer, change engine oil as recommended in this section of Owner's Manual.

**IMPORTANT:** Do not oil or grease plastic wheel bearings. Viscous lubricants will attract dust and dirt that will shorten the life of the self-lubricating bearings. If you feel they must be lubricated, use only a dry, powdered graphite type lubricant sparingly.

### PRODUCT SPECIFICATIONS

Serial No. \_\_\_\_\_  
 Date of Purchase: \_\_\_\_\_

**Gasoline Type:** Unleaded Regular  
**Gasoline Capacity:** 1.25 Quarts  
**Oil Type:** SAE 30 (Above 32° F)  
 (API-SF-SJ) SAE 5W-30 (Below 32° F)  
**Oil Capacity:** 20 Ozs.  
**Spark Plug :** Champion J19LM  
 (Gap: .030") or RJ19LM  
**Trimmer Line Dia.:** .155 inch  
**Trimmer Line Length:** 18.75 inches

The model and serial numbers will be found on a decal attached to the rear of the trimmer. Record both serial number and date of purchase in space provided above.

## TRIMMER

Always observe safety rules when performing any maintenance.

### TIRES

- Keep tires free of gasoline, oil, or insect control chemicals which can harm rubber.
- Avoid stumps, stones, deep ruts, sharp objects and other hazards that may cause tire damage.

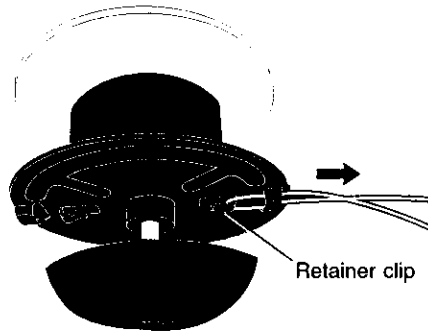
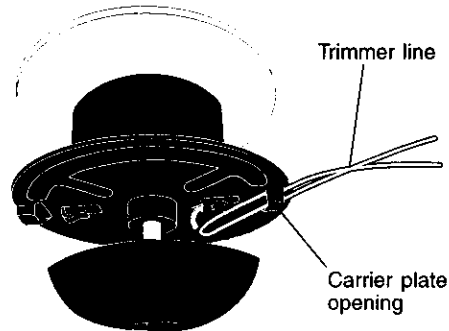
### TRIMMER LINE

For best results, replace trimmer lines when they have worn to half their original length. Use **.155 inch diameter** trimmer line. Cut new trimmer line length to **18-3/4 inches**. After new line is installed on trimmer head, check all lines so they do not vary more than one (1) inch in length. This is important to make sure the trimmer head is balanced and will not vibrate abnormally.

**⚠WARNING:** Use only the specified trimmer line. Do not use other materials such as wire, string, rope, etc. Wire can break off during trimming and become a dangerous missile that can cause serious injury.

### TO REPLACE TRIMMER LINE

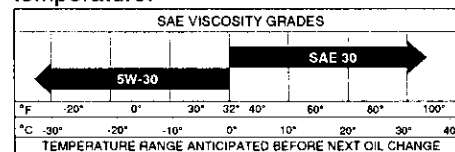
1. Disconnect spark plug wire from spark plug and place wire where it cannot come in contact with spark plug.
2. Remove worn trimmer line from line carrier plate.
3. Fold new, cut to length, trimmer line in half and insert folded end through carrier plate opening to back side of retainer clip.
4. With folded end of line at back side of retainer clip, pull line outward until line is fully seated under the retainer clip.
5. Repeat on other side of carrier plate.
6. Check all lines to be sure they are the same length.
7. Reconnect spark plug wire to spark plug.



## ENGINE

### LUBRICATION

Use only high quality detergent oil rated with API service classification SF-SJ. Select the oil's SAE viscosity grade according to your expected operating temperature.



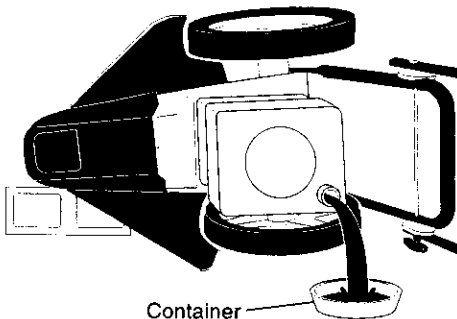
**NOTE:** Although multi-viscosity oils (5W30, 10W30 etc.) improve starting in cold weather, these multi-viscosity oils will result in increased oil consumption when used above 32°F. Check your engine oil level more frequently to avoid possible engine damage from running low on oil.

Change the oil after every 25 hours of operation or at least once a year if the unit is not used for 25 hours in one year. Check the crankcase oil level before starting the engine and after each five (5) hours of continuous use. Tighten oil plug securely each time you check the oil level.

## TO CHANGE ENGINE OIL

**NOTE:** Before tipping trimmer to drain oil, drain fuel tank by running engine until fuel tank is empty.

1. Disconnect spark plug wire from spark plug and place wire where it cannot come in contact with spark plug.
2. Remove engine oil cap; lay aside on a clean surface.
3. Tip trimmer on its side as shown and drain oil into a suitable container. Rock trimmer back and forth to remove any oil trapped inside of engine.
4. Wipe off any spilled oil from trimmer and side of engine.
5. Fill engine with oil (See "ADD OIL" in the Operation section of this manual).
6. Replace engine oil cap.
7. Reconnect spark plug wire to spark plug.



## AIR FILTER

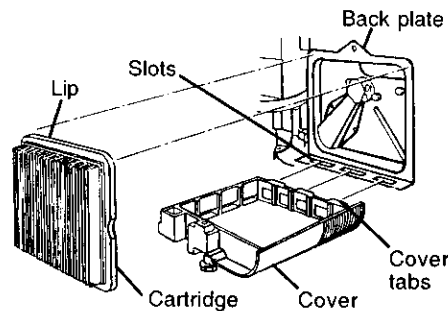
Your engine will not run properly and may be damaged by using a dirty air filter. Replace the air filter every 100 hours of operation or every season, whichever occurs first. Service air cleaner more often under dusty conditions.

### TO CLEAN AIR FILTER

1. Loosen screw and tilt cover to remove.
2. Carefully remove cartridge.
3. Clean by gently tapping on a flat surface. If very dirty, replace cartridge.

**CAUTION:** Petroleum solvents, such as kerosene, are not to be used to clean cartridge. They may cause deterioration of the cartridge. Do not oil cartridge. Do not use pressurized air to clean or dry cartridge.

4. Install cartridge, then replace cover making sure the tabs are aligned with the slots in the back plate. Fasten screw securely.



## MUFFLER

Inspect and replace corroded muffler as it could create a fire hazard and/or damage.

## SPARK PLUG

Replace spark plugs at the beginning of each mowing season or after every 100 hours of operation, whichever occurs first. Spark plug type and gap setting are shown in "PRODUCT SPECIFICATIONS" in Maintenance section of this manual.

### CLEANING

**IMPORTANT:** For best performance, keep trimmer free of built-up grass and trash. Clean the underside of your trimmer after each use.

**CAUTION:** Disconnect spark plug wire from spark plug and place wire where it cannot come in contact with the spark plug.

- Turn trimmer on its side. Make sure air filter and carburetor are up. Clean the underside of your trimmer by scraping to remove build-up of grass and trash.
- Clean engine often to keep trash from accumulating. A clogged engine runs hotter and shortens engine life.
- Keep finished surfaces and wheels free of all gasoline, oil, etc.
- We do not recommend using a garden hose to clean trimmer unless the electrical system, muffler, air filter and carburetor are covered to keep water out. Water in engine can result in shortened engine life.

## SERVICE AND ADJUSTMENTS

**⚠ CAUTION:** Before performing any service and adjustments:

1. Stop engine.
2. Make sure the rotating lines and all moving parts have completely stopped.
3. Disconnect spark plug wire from spark plug and place where it cannot come in contact with plug.

### TRIMMER

#### TO ADJUST TRIMMING HEIGHT

See "TO ADJUST TRIMMING HEIGHT" in the Operation section of this manual.

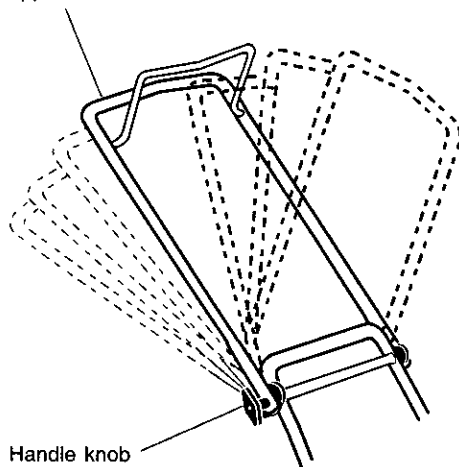
#### TO ADJUST HANDLE

The upper handle may be adjusted to different height positions.

- Loosen handle knob only enough to allow the upper handle to pivot to the desired position.
- Tighten handle knob securely.

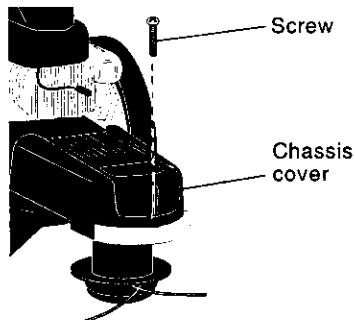
**NOTE:** The handle knob and bolt may be reversed for left handed operation.

Upper handle

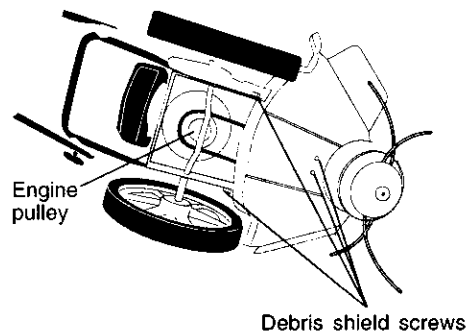


#### TO REMOVE/REPLACE TRIMMER HEAD DRIVE BELT

1. Remove screw at front of chassis cover.
2. Lift cover up and away from trimmer.



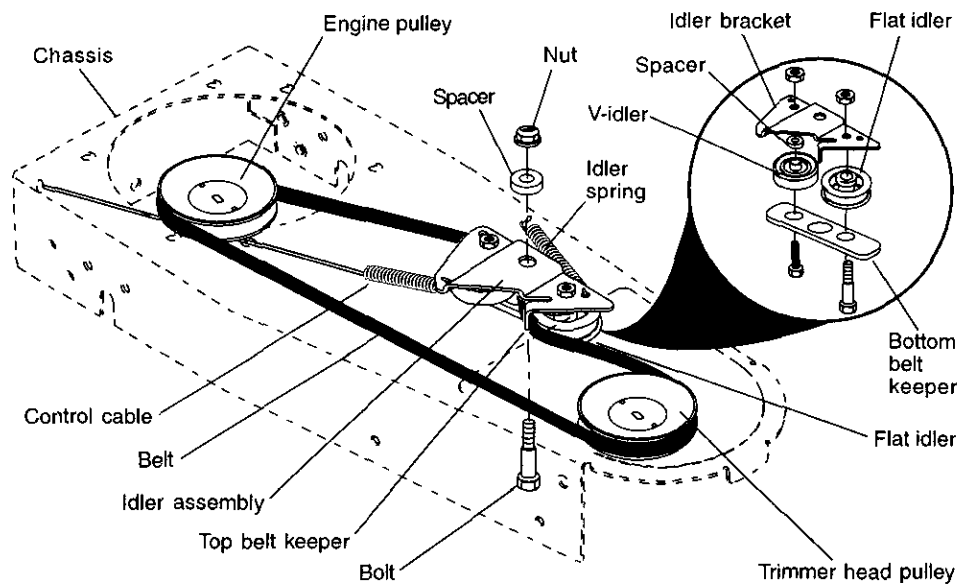
3. Remove the two (2) screws on sides of trimmer securing the debris shield.
4. Turn trimmer on its side with carburetor and fuel cap up.
5. Remove the two (2) screws on underside of trimmer securing the debris shield.
6. Slide the debris shield rearward and remove.
7. Remove belt from engine pulley on crankshaft.



8. Remove belt from trimmer head pulley.
9. Note the position of the control cable and idler return spring, then remove idler assembly from chassis and remove belt and idler from trimmer.
10. Remove belt from idler assembly by removing bottom belt keeper and idler pulleys.
11. Assemble new belt, idler pulleys and bottom belt keeper to idler bracket. Tighten pulley bolts securely.
12. Position belt and idler assembly in trimmer, reconnect idler spring and assemble idler to chassis.
13. Install belt around trimmer head pulley and engine pulley.
14. Replace debris shield and tighten the four (4) screws securely.
15. Replace chassis cover and tighten screw securely.

Always use Craftsman replacement parts to assure proper fit and long life.

**NOTE:** Be sure belt is inside top belt keeper on idler assembly.



## ENGINE

### ENGINE SPEED

Your engine speed has been factory set. Do not attempt to increase engine speed or it may result in personal injury. If you believe that the engine is running too fast or too slow, take your unit to a Sears or other qualified service center for repair and/or adjustment.

### CARBURETOR

Your carburetor has a nonadjustable fixed main jet for mixture control. If your engine does not operate properly due to sus-

pected carburetor problems, take your unit to a Sears or other qualified service center for repair and/or adjustment.

**IMPORTANT:** Never tamper with the engine governor, which is factory set for proper engine speed. Overspeeding the engine above the factory high speed setting can be dangerous. If you think the engine-governed high speed needs adjusting, take your unit to a Sears or other qualified service center, which has proper equipment and experience to make any necessary adjustments.

## STORAGE

Immediately prepare your trimmer for storage at the end of the season or if the unit will not be used for 30 days or more.

### TRIMMER

When trimmer is to be stored for a period of time, clean it thoroughly, remove all dirt, grease, leaves, etc. Store in a clean, dry area.

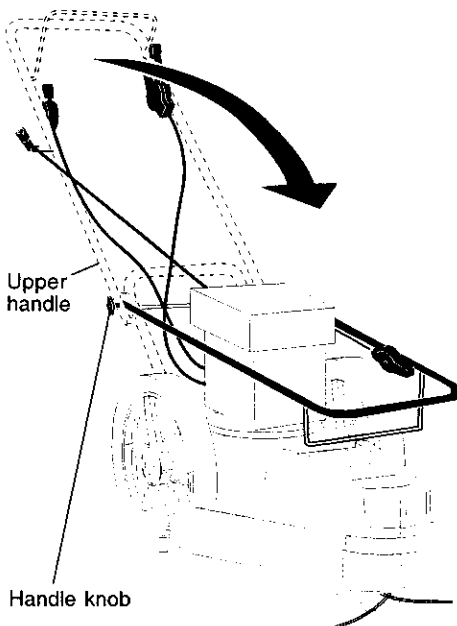
1. Clean entire trimmer (See "CLEANING" in the Maintenance section of this manual).
2. Lubricate as shown in the Maintenance section of this manual.
3. Be sure that all nuts, bolts, screws, and pins are securely fastened. Inspect moving parts for damage, breakage and wear. Replace if necessary.
4. Touch up all rusted or chipped paint surfaces; sand lightly before painting.

### HANDLE

You can fold your trimmer handle for storage.

- Loosen handle knob enough to allow upper handle to be folded forward.

**IMPORTANT:** When folding the handle for storage or transportation, be sure to fold the handle as shown or you may damage the control cables.



### ENGINE

#### FUEL SYSTEM

**IMPORTANT:** It is important to prevent gum deposits from forming in essential fuel system parts such as carburetor, fuel filter, fuel hose or

tank during storage. Also, experience indicates that alcohol blended fuels (called gasohol or using ethanol or methanol) can attract moisture which leads to separation and formation of acids during storage. Acidic gas can damage the fuel system of an engine while in storage.

1. Drain the fuel tank.
  2. Start the engine and let it run until the fuel lines and carburetor are empty.
- Never use engine or carburetor cleaner products in the fuel tank or permanent damage may occur.
  - Use fresh fuel next season.

**NOTE:** Fuel stabilizer is an acceptable alternative in minimizing the formation of fuel gum deposits during storage. Add stabilizer to gasoline in fuel tank or storage container. Always follow the mix ratio found on stabilizer container. Run engine at least 10 minutes after adding stabilizer to allow the stabilizer to reach the carburetor. Do not drain the gas tank and carburetor if using fuel stabilizer.

#### ENGINE OIL

Drain oil (with engine warm) and replace with clean engine oil. (See "ENGINE" in the Maintenance section of this manual).

#### CYLINDER

1. Remove spark plug.
2. Pour one ounce (29 ml) of oil through spark plug hole into cylinder.
3. Pull starter handle slowly a few times to distribute oil.
4. Replace with new spark plug.

#### OTHER

- Do not store gasoline from one season to another.
- Replace your gasoline can if your can starts to rust. Rust and/or dirt in your gasoline will cause problems.
- If possible, store your unit indoors and cover it to give protection from dust and dirt.
- Cover your unit with a suitable protective cover that does not retain moisture. Do not use plastic. Plastic cannot breathe which allows condensation to form and will cause your unit to rust.

**IMPORTANT:** Never cover trimmer while engine and exhaust areas are still warm.

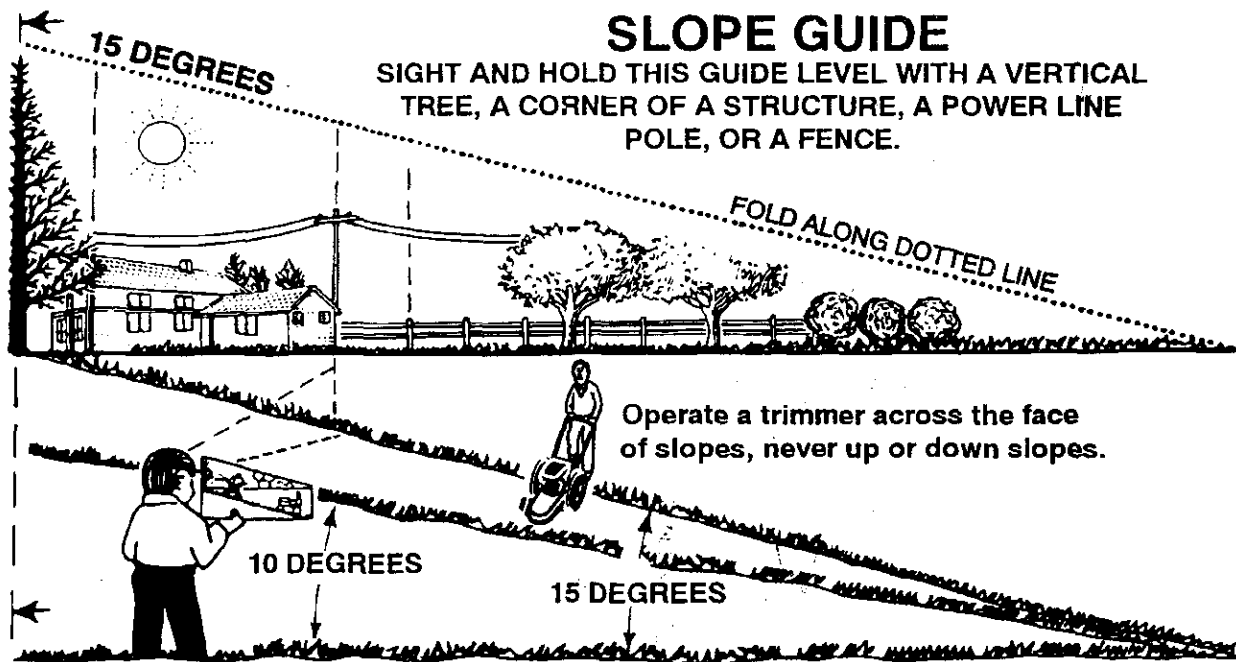
**CAUTION:** Never store the trimmer with gasoline in the tank inside a building where fumes may reach an open flame or spark. Allow the engine to cool before storing in any enclosure.

## TROUBLESHOOTING

PROBLEM	CAUSE	CORRECTION
<b>Does not start</b>	<ol style="list-style-type: none"> <li>1. Dirty air filter.</li> <li>2. Out of fuel.</li> <li>3. Stale fuel.</li> <li>4. Water in fuel.</li> <li>5. Spark plug wire is disconnected.</li> <li>6. Bad spark plug.</li> <li>7. Throttle control lever not in correct position (if equipped).</li> </ol>	<ol style="list-style-type: none"> <li>1. Clean/replace air filter.</li> <li>2. Fill fuel tank.</li> <li>3. Drain tank and refill with fresh clean fuel.</li> <li>4. Drain fuel tank and carburetor and refill tank with fresh gasoline.</li> <li>5. Connect wire to plug.</li> <li>6. Replace spark plug.</li> <li>7. Move throttle lever to FAST position.</li> </ol>
<b>Loss of power</b>	<ol style="list-style-type: none"> <li>1. Dirty air filter.</li> <li>2. Buildup of grass, leaves, and trash under trimmer.</li> <li>3. Too much oil in engine.</li> <li>4. Walking speed too fast.</li> </ol>	<ol style="list-style-type: none"> <li>1. Clean/replace air filter.</li> <li>2. Clean underside of trimmer and trimmer head.</li> <li>3. Check oil level.</li> <li>4. Trim at slower walking speed.</li> </ol>
<b>Excessive Vibration</b>	<ol style="list-style-type: none"> <li>1. Lines uneven or broken.</li> <li>2. Loose nuts or bolts.</li> <li>3. Damaged trimmer head.</li> </ol>	<ol style="list-style-type: none"> <li>1. Check trimmer lines.</li> <li>2. Check all hardware, including engine bolts.</li> <li>3. Check/repair trimmer head.</li> </ol>
<b>Starter rope hard to pull</b>	<ol style="list-style-type: none"> <li>1. Bent engine crankshaft.</li> </ol>	<ol style="list-style-type: none"> <li>1. Contact a Sears or other qualified service center.</li> </ol>
<b>Loss of head drive</b>	<ol style="list-style-type: none"> <li>1. Belt not driving.</li> </ol>	<ol style="list-style-type: none"> <li>1. Put belt on pulleys or replace belt if broken.</li> </ol>
<b>Hard to push</b>	<ol style="list-style-type: none"> <li>1. Handle height position not right for you.</li> </ol>	<ol style="list-style-type: none"> <li>1. Adjust handle height to suit.</li> </ol>
<b>Poor trimming performance</b>	<ol style="list-style-type: none"> <li>1. Trimmer line length is too short.</li> <li>2. Throttle control lever not in correct position (if equipped).</li> </ol>	<ol style="list-style-type: none"> <li>1. If line is worn or broken to half original length, replace line.</li> <li>2. Move throttle lever to FAST position.</li> </ol>
<b>Trimmer head does not retain line</b>	<ol style="list-style-type: none"> <li>1. Trimmer line not properly installed.</li> <li>2. Broken line retainer clip.</li> <li>3. Incorrect size of trimmer line.</li> </ol>	<ol style="list-style-type: none"> <li>1. Follow instructions in Maintenance section.</li> <li>2. Replace string carrier plate assembly.</li> <li>3. Use .155 diameter trimmer line.</li> </ol>

# SLOPE GUIDE

SIGHT AND HOLD THIS GUIDE LEVEL WITH A VERTICAL TREE, A CORNER OF A STRUCTURE, A POWER LINE POLE, OR A FENCE.



16

Use this guide and do not trim on a slope greater than 15 degrees.

A 10 degree slope is a hill that increases in height at approximately 1.7 feet in 10 feet..

A 15 degree slope is a hill that increases in height at approximately 2.5 feet in 10 feet..

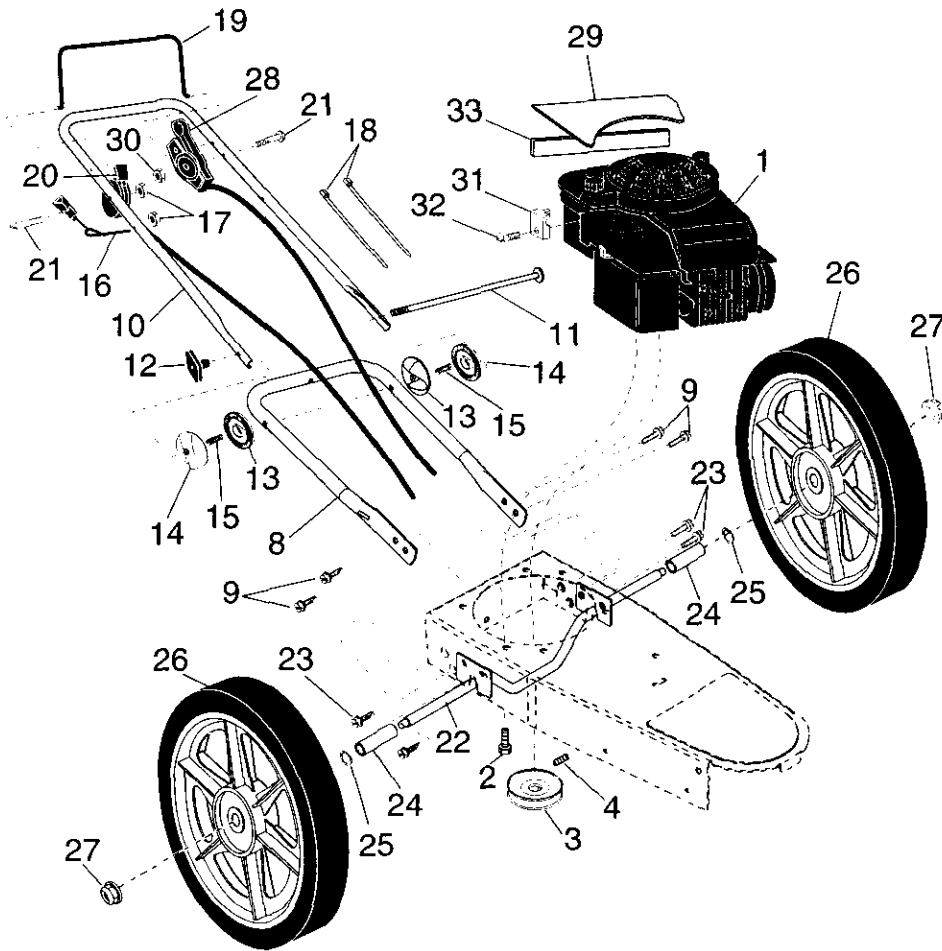


Use extreme care at all times and avoid sudden turns or maneuvers. Follow other instructions in this manual for safety in trimming on slopes. Operate a trimmer across the face of slopes, never up or down slopes. Use extra care when operating on or near slopes and obstructions.



# REPAIR PARTS

CRAFTSMAN WEED TRIMMER -- MODEL NUMBER 917.773700



## CRAFTSMAN WEED TRIMMER -- MODEL NUMBER 917.773700

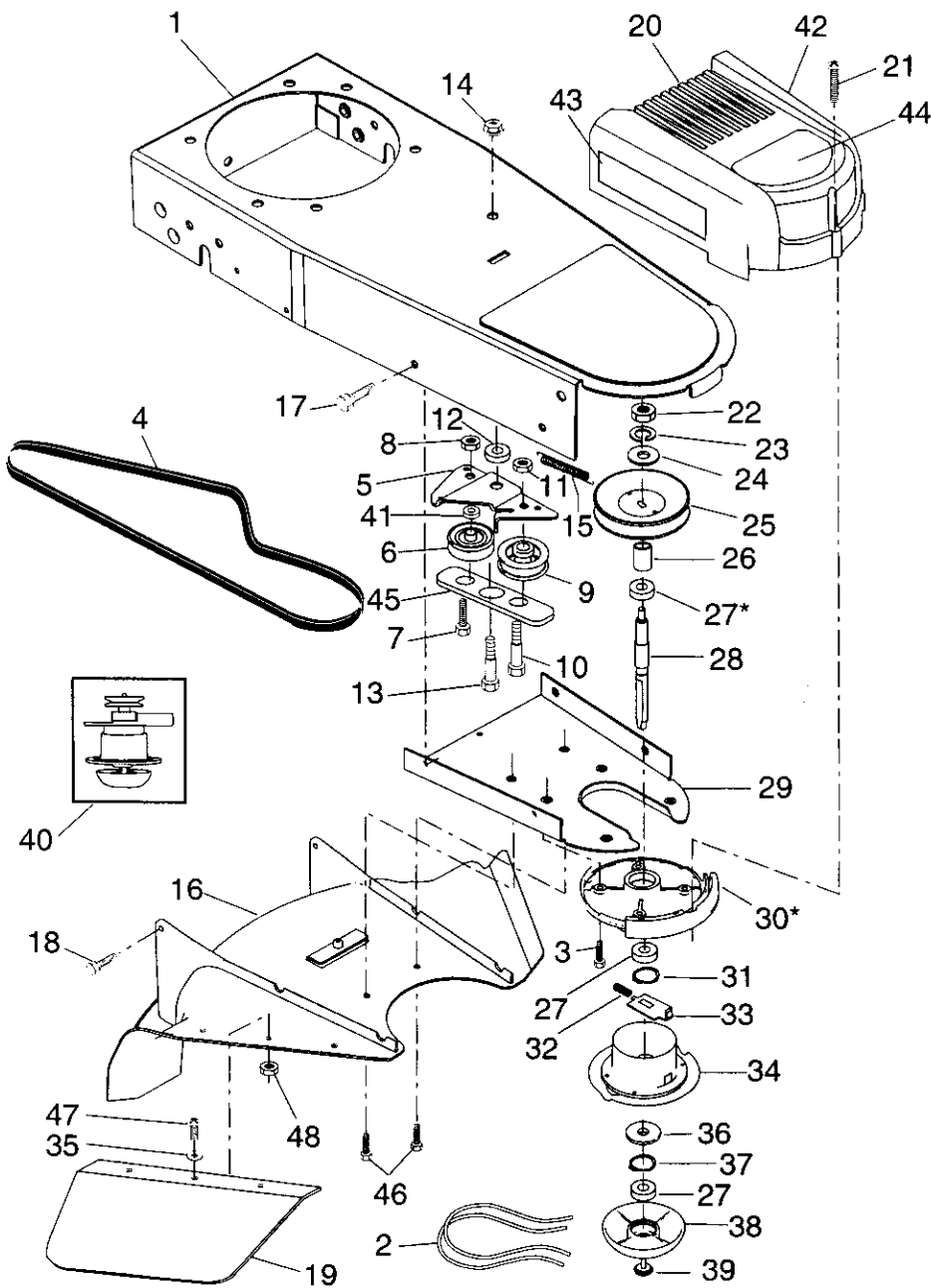
KEY NO.	PART NO.	DESCRIPTION
1	----	Engine, Briggs & Stratton, Model Number 122H02-0110-D1 (See Breakdown)
2	150406	Bolt, Engine Mounting 3/8-16
3	169791	Pulley, Engine (Includes Setscrew, Key #4)
4	STD502502	Setscrew, Pulley
8	169821X479	Handle, Lower
9	150078	Screw, Hex Washer Head 5/16-18 x .75
10	169797X479	Handle, Upper
11	170980	Bolt, Handle
12	136376	Knob, Handle
13	170681	Adjuster, Handle, Inside
14	170682	Adjuster, Handle, Outside
15	170554	Spring, Handle Adjust
16	153638	Guide, Rope
17	STD541025	Locknut 1/4 x 20
18	66426	Wire Tire
19	171449	Control Bar
20	177814	Throttle Control
21	158755	Screw, Hex Washer Head
22	174750X004	Axle Shaft Assembly
23	150078	Screw, Hex Washer Head 5/16-18 x .75
24	174751	Spacer, Axle
25	57143	Washer, Wave
26	752063	Wheel, 14 x 2
27	83923	Hex Flange Locknut 3/8-16
28	174037	Drive Control
29	178364	Decal, Warning
30	751152	Nut 1/4-20
31	111190X	Clamp, Cable
32	83816	Screw
33	178365	Decal, Warning
--	177739	Owner's Manual, English/Spanish

Available accessories not included with trimmer:

<u>71</u> 33623	Gas Can (2.5 gal.)
<u>71</u> 33000	SAE 30W Oil (20 oz.)
<u>71</u> 79991	Trimmer Line (Pack of 24 strings, .155 dia.)

**NOTE:** All component dimensions given in U.S. inches  
1 inch = 25.4 mm

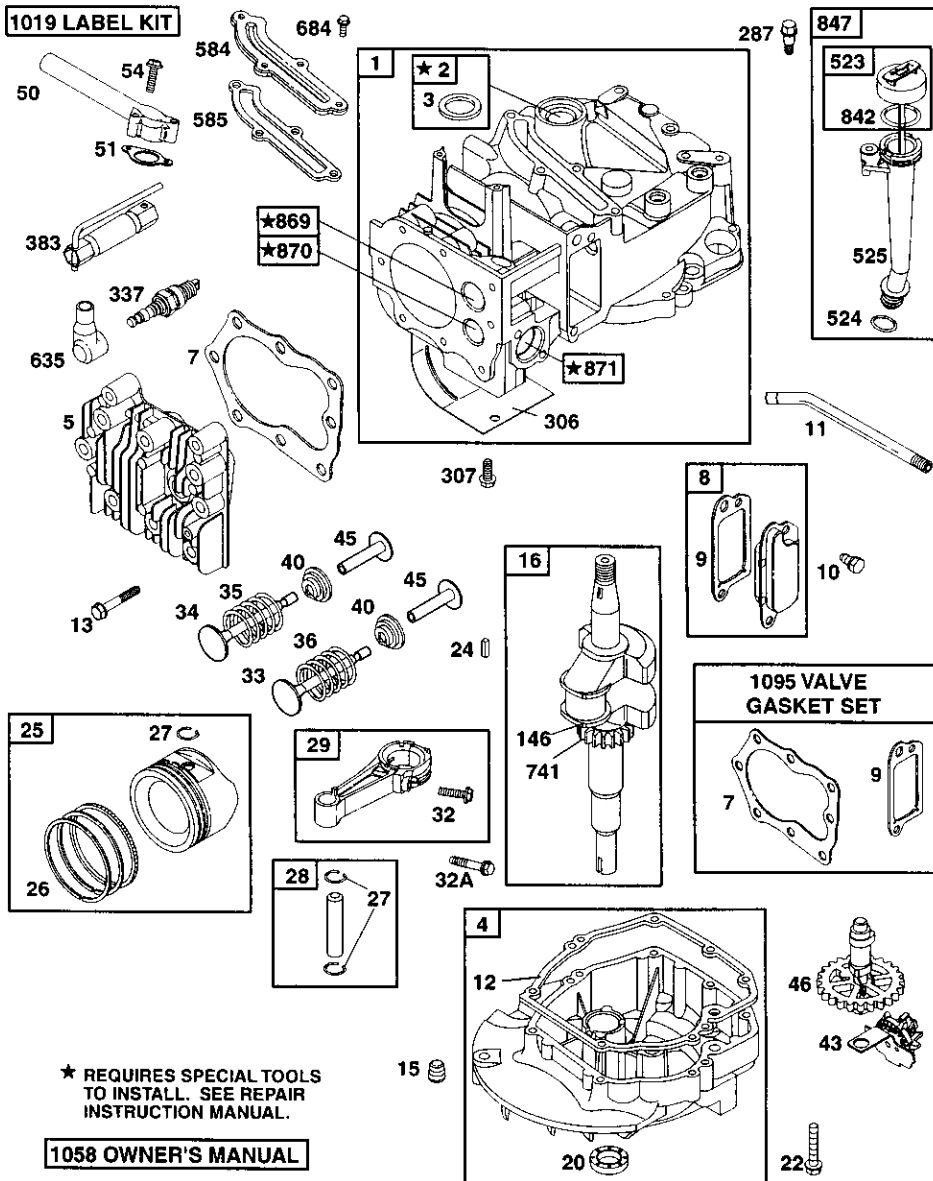
CRAFTSMAN WEED TRIMMER -- MODEL NUMBER 917.773700

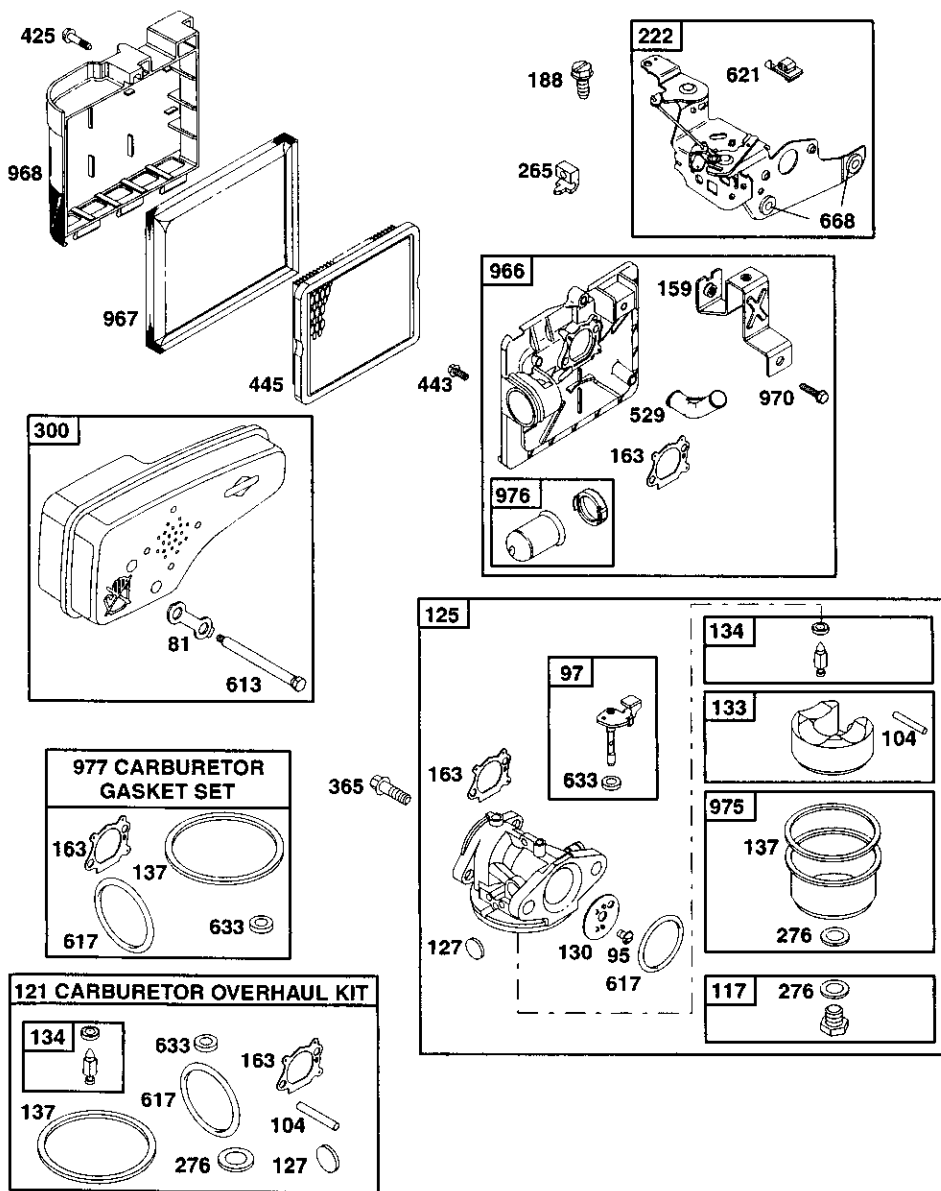


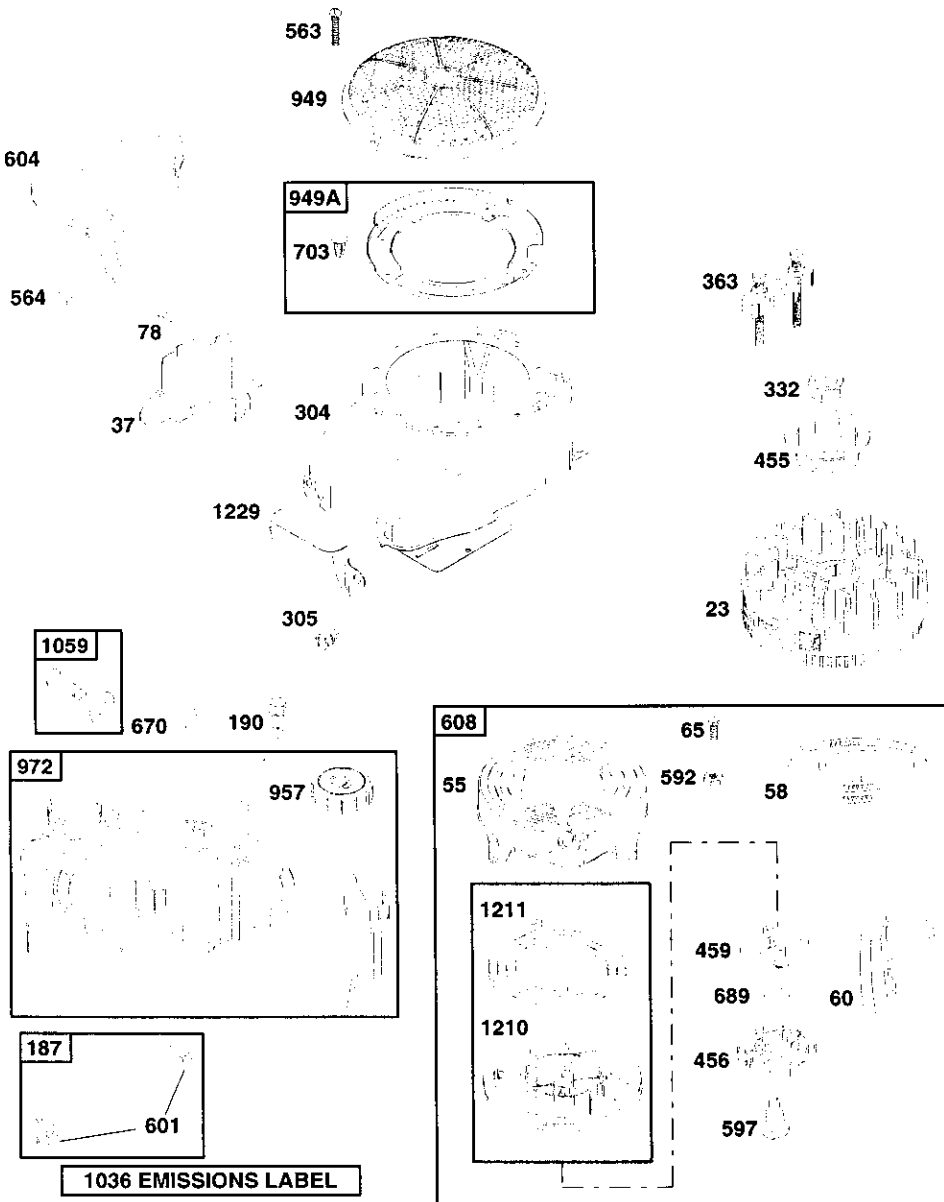
## CRAFTSMAN WEED TRIMMER -- MODEL NUMBER 917.773700

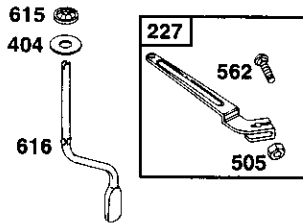
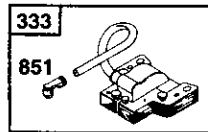
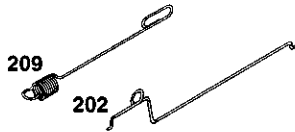
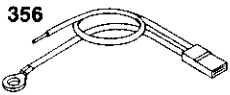
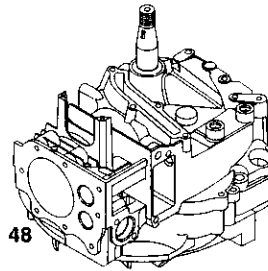
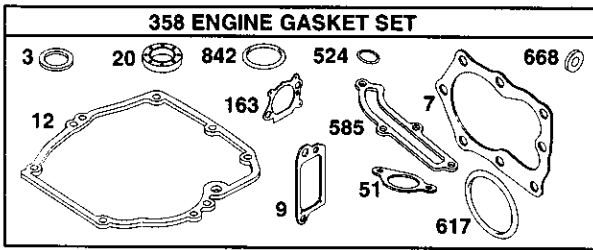
KEY NO.	PART NO.	DESCRIPTION
1	174031X558	Chassis Assembly
2	169802	Line, Trimmer .155 diameter x 18.75 long
3	173715	Screw, Self-Tapping 5/16-18 x 1
4	169790	V-Belt
5	172145X004	Bracket, Idler
6	166042	Pulley, Idler, V-Groove
7	173716	Bolt, Hex Head 3/8-16 x 1.25
8	751592	Locknut, Hex 3/8-16
9	166043	Pulley, Idler, Flat
10	160829	Bolt, Shoulder
11	155552	Locknut 5/16-18
12	173717	Spacer
13	174719	Bolt, Shoulder
14	145212	Locknut, Flange
15	173811	Spring, Return
16	177871	Shield, Debris
17	57808	Screw 1/4-20 x 1/2
18	85768	Screw #10-24 x 3/4
19	175301	Skirt
20	170553	Cover, Chassis, Top
21	149746	Screw #10-24 x 1-3/4
22	STD541137	Nut 3/8-24 UNF
23	STD551137	Washer, Lock 3/8
24	STD551037	Washer, Flat 3/8
25	169792	Pulley, Driven
26	172551	Spacer, Pulley
27	174549	Bearing
28	172520	Jackshaft
29	169766	Cover, Chassis, Bottom
30	174543	Spindle Housing Assembly (* Includes Upper Bearing, Key #27)
31	174581	Ring, Retaining, External, 17mm
32	176973	Spring, Locking Plate
33	172519	Locking Plate
34	174544	Carrier Plate Assembly
35	52784	Washer
36	172516	Cover, Bearing
37	174580	Ring, Retaining, Internal, 40mm
38	172523	Mow Ball
39	172636	Bolt, Mow Ball
40	172342	Head Assembly, Complete (Includes Key Numbers 22-28, 30-39)
41	174029	Spacer
42	174036	Decal, Instruction
43	174042	Decal, Instruction
44	174035	Decal, Chassis Cover
45	174596	Belt Keeper, Bottom
46	17060408	Screw
47	76399	Screw
48	59931	Nut

**NOTE:** All component dimensions given in U.S. inches  
1 inch = 25.4 mm











**BRIGGS & STRATTON 4-CYCLE ENGINE**

**MODEL NUMBER 122H02-0110-D1**

KEY NO.	PART NO.	DESCRIPTION	KEY NO.	PART NO.	DESCRIPTION
1	493260	Cylinder Assembly	48	498826	Short Block (Replacement Engine 12D602-0015-B1)
2	399269	Kit-Bushing/Seal			
3	299819	• Seal-Oil (Magneto Side)	50	497465	Manifold-Intake
4	493279	Sump-Engine	51	272199	• Gasket-Intake
5	691160	Head-Cylinder	54	691650	Screw (Intake Manifold)
7	692249	✚ Gasket-CylinderHead	55	691421	Housing-Rewind Starter
8	695250	Breather Assembly	58	692259	Rope-Starter (Cut to Length)
9	272481	✚ Gasket-Breather	60	281434	Grip-Starter Rope
10	691125	Screw (Breather Assembly)	65	690837	Screw (Rewind Starter)
11	691781	Tube-Breather	78	691108	Screw (Flywheel Guard)
12	692232	• Gasket-Crankcase	81	691740	Lock-Muffler Screw
13	690912	Screw (CylinderHead)	95	691636	Screw (Throttle Valve)
15	691680	Plug-Oil Drain	97	493267	Shaft-Throttle
16	691451	Crankshaft	104	691242	Ø Pin-Float Hinge
20	399781	• Seal-Oil (PTO Side)	117	494870	Jet-Main (Standard)
22	691092	Screw (Engine Sump)		497315	Jet-Main (High Altitude)
23	692315	Flywheel	121	498260	Kit-Carburetor Overhaul
24	222698	Key-Flywheel	127	694468	Ø Plug-Welch
25	499429	Piston Assembly (Standard)	130	691203	Valve-Throttle
	499430	Piston Assembly (.010" O.S.)	133	398187	Float-Carburetor
	499431	Piston Assembly (.020" O.S.)	134	398188	Ø Valve-Needle/Seat
	499432	Piston Assembly (.030" O.S.)	137	693981	Ø‡ Gasket-Float Bowl
26	499425	Ring Set-Piston (Standard)	146	690979	Key-Timing
	499426	Ring Set-Piston (.010" O.S.)	159	691753	Bracket-Air Cleaner Primer
	499427	Ring Set-Piston (.020" O.S.)	163	272653	Ø‡ Gasket-Air Cleaner
	499428	Ring Set-Piston (.030" O.S.)	187	691050	Line-Fuel (Cut to Length)
27	691866	Lock-Piston Pin	188	690877	Screw (Control Bracket)
28	499423	Pin-Piston	190	690940	Screw (Fuel Tank)
29	499424	Rod-Connecting	202	691829	Link-Mechanical Governor
32	691664	Screw (Connecting Rod)	209	690319	Spring-Governor
32A	695759	Screw (Connecting Rod)	222	692031	Bracket-Control
33	262651	Valve-Exhaust	227	690783	Control Lever-Governor
34	262652	Valve-Intake	265	690798	Clamp-Casing
35	691270	Spring-Valve (Intake)	276	271716	‡ Sealing Washer
36	691270	Spring-Valve (Exhaust)	287	690940	Screw (Dipstick Tube)
37	694086	Guard-Flywheel	300	692038	Muffler
40	692194	Retainer-Valve	304	696307	Housing-Blower
43	691997	Slinger-Governor/Oil	305	691108	Screw (Blower Housing)
45	690548	Tappet-Valve	306	690450	Shield-Cylinder
46	691449	Camshaft	307	690345	Screw (Cylinder Shield)

KEY NO.	PART NO.	DESCRIPTION	KEY NO.	PART NO.	DESCRIPTION
332	690662	Nut (Flywheel)	684	690345	Scre
333	802574	Armature-Magneto			(Breather Passage Cover)
334	691061	Screw (Armature Magneto)	689	691855	Spring-Friction
337	802592	Spark Plug	703	696309	Clip
356	692390	Wire-Stop	741	691830	Gear-Timing
358	497316	Engine Gasket Set	842	691031	• Seal-O Ring (Dipstick Tube)
363	19069	Flywheel Puller	847	692017	Assembly-Dipstick/Tube
365	692524	Screw (Carburetor)	851	493880	Terminal-Sparkplug
383	89838	Wrench-Spark Plug	869	691155	Seat-Valve (Intake)
404	690272	Washer (Governor Crank)	870	690380	Seat-Valve (Exhaust)
425	690670	Screw (Air Cleaner Cover)	871	262001	Bushing-Guide (Exhaust)
443	692523	Screw (Air Cleaner Primer Base)		63709	Bushing-Guide (Intake)
445	491588	Filter-Air Cleaner Cartridge	949	696306	Guard-Debris Screen
455	691219	Cup-Flywheel	949A	696310	Guard-Debris Screen
456	692299	Plate-Pawl Friction	957	397974	Cap-Fuel Tank
459	281505	Pawl-Ratchet	966	496116	Base-Air Cleaner Primer
505	231082	Nut (Governor Control Lever)	967	493537	Filter-Pre Cleaner
523	495264	Dipstick	968	692298	Cover-Air Cleaner
524	692296	• Seal-Dipstick Tube	970	691669	Screw
525	495265	Tube-Dipstick			(Air Cleaner Primer Bracket)
529	691923	Grommet	972	495224	Tank-Fuel
562	92613	Bolt (Governor Control Lever)	975	493640	Bowl-Float
563	691138	Screw (Debris Guard Cover)	976	694395	Primer-Carburetor
564	690664	Screw (Control Cover)	977	498261	Set-Carburetor Gasket
584	692342	Cover-Breather Passage	1019	494256	Kit-Label
585	691879	• Gasket-Breather Passage	1036	696035	Label-Emissions
592	690800	Nut (Rewind Starter)	1058	274978	Owner's Manual
597	691696	Screw (Pawl Friction Plate)	1059	692311	Kit-Screw/Washer
601	95162	Clamp-Hose	1095	498528	Set-Valve Gasket
604	691757	Cover-Control	1210	498144	Assembly-Pulley/Spring (Pulley)
608	497680	Starter-Rewind	1211	498144	Assembly-Pulley/Spring (Spring)
613	691340	Screw (Muffler)	1229	696308	Extension-Blower Housing
615	690340	Retainer-Governor Shaft			
616	691306	Crank-Governor			
617	270344	•⊕ Seal-O Ring (Intake Manifold)			• Included in Engine Gasket Set, Key #358
621	692310	Switch-Stop			⊕ Included in Carburetor Overhaul Kit, Key #121
633	691321	⊕ Seal-Choke/Throttle Shaft			‡ Included in Carburetor Gasket Set, Key #977
635	66538	Boot-Sparkplug			+ Included in Valve Overhaul Kit, Key #1095
668	493823	• Spacer (Includes 2)			
670	692294	Spacer-Fuel Tank			

**NOTE:** All component dimensions given in U.S. inches  
1 inch = 25.4 mm

# Get it fixed, at your home or ours!

For repair of major brand appliances **in your own home...**  
no matter who made it, no matter who sold it!

**1-800-4-MY-HOME**<sup>SM</sup> Anytime, day or night  
(1-800-469-4663)

[www.sears.com](http://www.sears.com)

To bring in products such as vacuums,  
lawn equipment and electronics for repair, call for  
the location of your nearest **Sears Parts & Repair Center.**

**1-800-488-1222** Anytime, day or night

[www.sears.com](http://www.sears.com)

For the replacement parts, accessories and owner's manuals  
that you need to do-it-yourself, call **Sears PartsDirect**<sup>SM</sup>!

**1-800-366-PART** 6 a.m. – 11 p.m. CST,  
(1-800-366-7278) 7 days a week

[www.sears.com/partsdirect](http://www.sears.com/partsdirect)

To purchase or inquire about a Sears Service Agreement:

**1-800-827-6655**

7 a.m. – 5 p.m. CST, Mon. – Sat.

Para pedir servicio de reparación a domicilio,  
y para ordenar piezas con entrega a domicilio:

**1-888-SU-HOGAR**<sup>SM</sup>  
(1-888-784-6427)

Au Canada pour service en français:

**1-877-LE-FOYER**<sup>SM</sup>  
(1-877-533-6937)



© Sears, Roebuck and Co.

Registered Trademark / <sup>TM</sup> Trademark of Sears, Roebuck and Co.  
© Marca Registrada / <sup>TM</sup> Marca de Sears, Roebuck and Co.