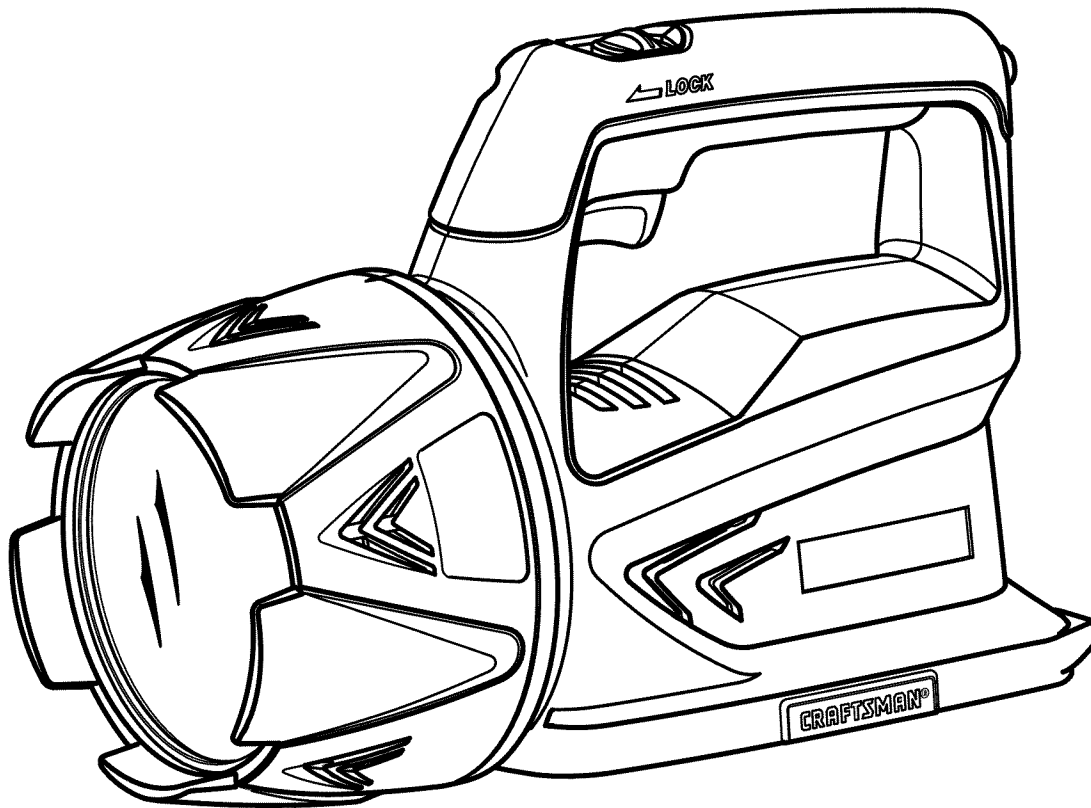


# OPERATOR'S MANUAL



## 19.2 VOLT SPOTLIGHT

Model No.  
315.115930



**WARNING:** To reduce the risk of injury, the user must read and understand the operator's manual before using this product.

**BATTERIES AND CHARGERS SOLD SEPARATELY**

**ACCEPTS ALL CRAFTSMAN 19.2 V BATTERY PACKS**

Craftsman Consumer Helpline: 1-800-932-3188

Sears, Roebuck and Co., 3333 Beverly Rd., Hoffman Estates, IL 60179 USA  
Visit the Craftsman web page: [www.sears.com/craftsman](http://www.sears.com/craftsman)

987000-315  
11-10-08 (REV:01)

**Save this manual for future reference**



# TABLE OF CONTENTS

■ Warranty .....	2
■ Introduction .....	2
■ General Safety Rules .....	3
■ Symbols.....	4
■ Features.....	5
■ Assembly.....	5-6
■ Operation.....	6-7
■ Maintenance.....	8-9
■ Parts Ordering/Service .....	Back Page

## WARRANTY

### ONE-YEAR FULL WARRANTY ON CRAFTSMAN TOOL

If this Craftsman tool fails to give complete satisfaction within one year from date of purchase, **RETURN IT TO ANY SEARS STORE OR OTHER CRAFTSMAN OUTLET IN THE UNITED STATES FOR FREE REPLACEMENT.**

If this Craftsman tool is used for commercial or rental purposes, this warranty applies for only 90 days from the date of purchase.


This warranty gives you specific legal rights, and you may also have other rights which vary from state to state.

**Sears, Roebuck and Co., Hoffman Estates, IL 60179**

## INTRODUCTION

This product has many features for making its use more pleasant and enjoyable. Safety, performance, and dependability have been given top priority in the design of this product making it easy to maintain and operate.

---

 **WARNING:** Some dust created by power sanding, sawing, grinding, drilling, and other construction activities contains chemicals known to cause cancer, birth defects or other reproductive harm. Some examples of these chemicals are:

- lead from lead-based paints,
- crystalline silica from bricks and cement and other masonry products, and
- arsenic and chromium from chemically-treated lumber.

Your risk from these exposures varies, depending on how often you do this type of work. To reduce your exposure to these chemicals: work in a well ventilated area, and work with approved safety equipment, such as those dust masks that are specially designed to filter out microscopic particles.

# GENERAL SAFETY RULES

## IMPORTANT SAFETY INSTRUCTIONS

**⚠ WARNING! READ AND UNDERSTAND ALL INSTRUCTIONS.** Failure to follow all instructions listed below, may result in electric shock, fire and/or serious personal injury.

**⚠ WARNING!** When using electric appliances, basic precautions should always be followed, including the following:

- **Read all the instructions before using the appliance.**
- **To reduce the risk of injury, close supervision is necessary when an appliance is used near children.**
- **To reduce the risk of electrical shock, do not put spotlight or charger in water or other liquid.** Do not place or store appliance where it can fall or be pulled into a tub or sink.
- **Use only the charger supplied by the manufacturer to recharge.**
- **Use only recommended battery pack.** Any attempt to use another battery pack will cause damage to your spotlight and could possibly explode, cause a fire, or personal injury.

MODEL	BATTERY PACK (Li-ion)	CHARGER
315.115930	315.113740 (130285003, 130285006) 315.113710 (130156001)	(Multi-Chemistry) 315.259260 (140351001)
	<b>BATTERY PACK (Ni-Cd)</b>	315. 259260 (140351001)
	130279003, 130279005 (Item No. <sup>§</sup> 11375)	1425301 ( <sup>§</sup> 11041) 315.115730 (140301003) 315.115720 (140301001)

- **Remove battery pack from spotlight before replacing bulb or performing any routine maintenance or cleaning.** Replace bulb with same type rated H3 6V55W.
- **Do not disassemble the spotlight.**
- **Do not place spotlight or battery pack near fire or heat.** They may explode. Also, **do not** dispose of a worn out battery pack by incinerating. Do not incinerate the battery, even if it is severely damaged or completely worn out. The battery may explode in fire.
- **Do not operate spotlight or charger near flammable liquids or in gaseous or explosive atmospheres.** Internal sparks may ignite fumes.
- **Do not store your spotlight in a damp or wet location. Do not store in locations where the temperature is less than 50°F or more than 100°F.** Do not store in outside sheds or in vehicles.
- **Do not permit children to use spotlight unsupervised.** It is not a toy. The temperature of the bulb will become

hot after being on for only a short period of time. This hot temperature can cause burn injury if touched and can create sufficient heat to melt some fabrics.

- **If wrapped or in contact with fabrics, the spotlight lens can produce sufficient heat to melt some fabrics.** To avoid serious personal injury, never allow the spotlight lens to come in contact with anything.
- **Keep light dry, clean, and free from oil and grease.** Always use a clean cloth when cleaning. Never use brake fluids, gasoline, petroleum-based products, or any strong solvent to clean the spotlight.
- **Don't expose spotlight to rain.** Water entering a power tool will increase the risk of electric shock or malfunction.
- **Do not overreach. Keep proper footing and balance at all times.** Proper footing and balance enable better control of the spotlight in unexpected situations. Do not use on a ladder or unstable support.
- **Do not leave the spotlight unattended while in the ON position.**

### SPOTLIGHT USE AND CARE







- **This product is of household type.**
- **Store spotlight out of the reach of children and other untrained persons.** Spotlights are dangerous in the hands of untrained users.
- **Let spotlight cool for several minutes after use before changing the bulb.**
- **Do not use or permit use of spotlight in bed or sleeping bags.** This spotlight lens can melt fabric and a burn injury could result.
- **Do not shine spotlight into the eyes.**

### SAFETY RULES FOR BATTERY SPOTLIGHTS




- **Under extreme usage or temperature conditions, battery leakage may occur.** If liquid comes in contact with your skin, wash immediately with soap and water, then neutralize with lemon juice or vinegar. If liquid gets in your eyes, flush them with clean water for at least 10 minutes, then seek immediate medical attention.
- **Batteries can explode in the presence of a source of ignition, such as a pilot light.** To reduce the risk of serious personal injury, never use any cordless product in the presence of open flame. An exploded battery can propel debris and chemicals. If exposed, flush with water immediately.
- **Do not crush, drop or damage battery pack. Do not use a battery pack or charger that has been dropped or received a sharp blow.** A damaged battery is subject to explosion. Properly dispose of a dropped or damaged battery immediately. Failure to heed this warning can result in serious personal injury.
- **If the power supply cord is damaged,** it must be replaced only by the manufacturer or by an authorized service center to avoid risk.
- **Risk of burns-do not touch. Risk of fire-keep away from combustible materials.**
- **The lens gets very hot during use.** To reduce the risk of burns, do not touch hot lens. To reduce the risk of fire, keep away from combustible materials while in operation.


# SYMBOLS

Some of the following symbols may be used on this product. Please study them and learn their meaning. Proper interpretation of these symbols will allow you to operate the product better and safer.

SYMBOL	NAME	DESIGNATION/EXPLANATION
V	Volts	Voltage
A	Amperes	Current
min	Minutes	Time
~	Alternating Current	Type of current
—	Direct Current	Type or a characteristic of current
$n_0$	No Load Speed	Rotational speed, at no load
	Class II Construction	Double-insulated construction
.../min	Per Minute	Revolutions, strokes, surface speed, orbits etc., per minute
	Wet Conditions Alert	Do not expose to rain or use in damp locations.
	Read The Operator's Manual	To reduce the risk of injury, user must read and understand operator's manual before using this product.
	Safety Alert	Precautions that involve your safety.
	Hot Surfaces	To reduce the risk of injury or damage, avoid contact with any hot surface.
	Recycle Symbols	This product uses nickel-cadmium and lithium-ion batteries. Local, state or federal laws may prohibit disposal of batteries in ordinary trash. Consult your local waste authority for information regarding available recycling and/or disposal options.

The following signal words and meanings are intended to explain the levels of risk associated with this product.

SYMBOL	SIGNAL	MEANING
	<b>DANGER:</b>	Indicates an imminently hazardous situation, which, if not avoided, will result in death or serious injury.
	<b>WARNING:</b>	Indicates a potentially hazardous situation, which, if not avoided, could result in death or serious injury.
	<b>CAUTION:</b>	Indicates a potentially hazardous situation, which, if not avoided, may result in minor or moderate injury.
	<b>CAUTION:</b>	(Without Safety Alert Symbol) Indicates a situation that may result in property damage.

 **WARNING:** To avoid serious personal injury, do not attempt to use this product until you read thoroughly and understand completely the operator's manual. If you do not understand the warnings and instructions in the operator's manual, do not use this product. Call the Craftsman Consumer Helpline at 1-800-932-3188 for assistance.

## SAVE THESE INSTRUCTIONS

# FEATURES

## PRODUCT SPECIFICATIONS

Bulb .....6 V Halogen      Weight ..... 1.5 lbs.

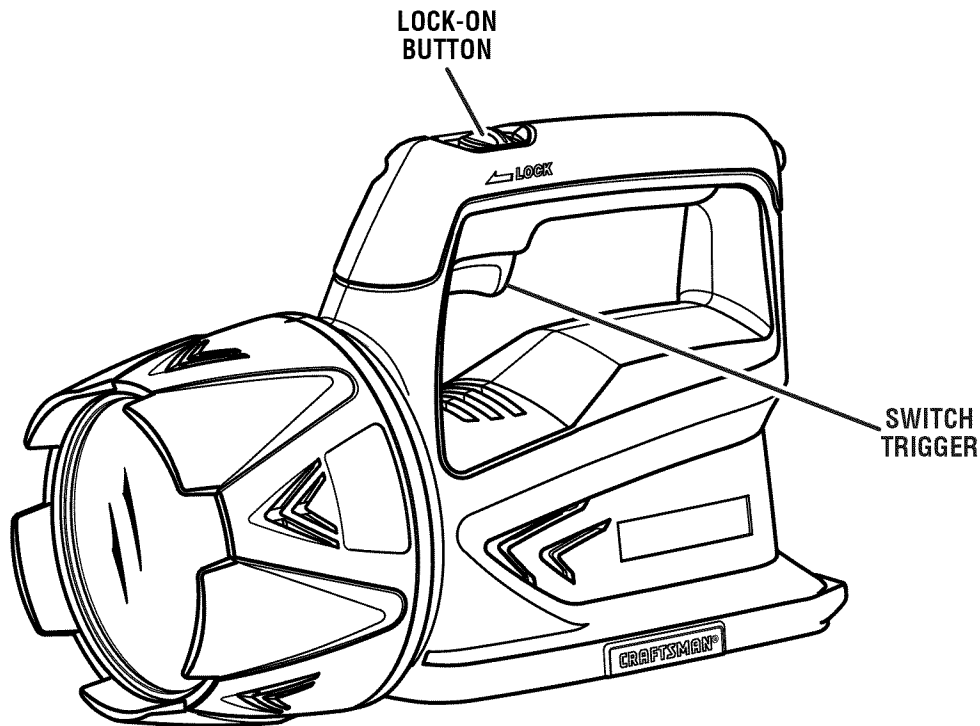


Fig. 1

## KNOW YOUR SPOTLIGHT

See Figure 1.

The safe use of this product requires an understanding of the information on the product and in this operator's manual as well as a knowledge of the project you are attempting. Before use of this product, familiarize yourself with all operating features and safety rules.

## LOCK-ON BUTTON

The lock-on button is convenient for continuous use for extended periods of time.

# ASSEMBLY

## UNPACKING

This product requires tag removal.

- Carefully remove the product and any accessories from the box. Make sure that all items listed in the packing list are included.
- Inspect the product carefully to make sure no breakage or damage occurred during shipping.
- Do not discard the packing material until you have carefully inspected and satisfactorily operated the product.
- If any parts are damaged or missing, please call 1-800-932-3188 for assistance.

## PACKING LIST

Spotlight  
Operator's Manual

**⚠ WARNING:** If any parts are damaged or missing do not operate this product until the parts are replaced. Failure to heed this warning could result in serious personal injury.

# ASSEMBLY

**⚠ WARNING:** Do not attempt to modify this product or create accessories not recommended for use with this product. Any such alteration or modification is misuse and could result in a hazardous condition leading to possible serious personal injury.

**⚠ WARNING:** To prevent accidental starting that could cause serious personal injury, always remove the battery pack from the product when assembling parts.

## REMOVING THE WARNING LABEL

See Figure 2.

The spotlight has an attached paper warning label on the lens. Remove this warning label before use as shown in figure 2.

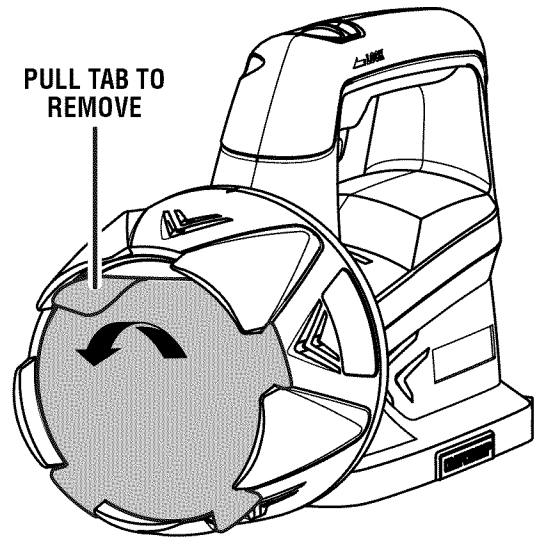


Fig. 2

# OPERATION

**⚠ WARNING:** Do not allow familiarity with products to make you careless. Remember that a careless fraction of a second is sufficient to inflict serious injury.

**⚠ WARNING:** Always wear safety goggles or safety glasses with side shields when operating products. Failure to do so could result in objects being thrown into your eyes, resulting in possible serious injury.

**⚠ WARNING:** Do not use any attachments or accessories not recommended by the manufacturer of this product. The use of attachments or accessories not recommended can result in serious personal injury.

## APPLICATIONS

You may use this product for the purposes listed below:

- To illuminate any areas requiring additional light
- To illuminate distant objects

**⚠ WARNING:** The lens gets very hot during use. To reduce the risk of burns, do not touch hot lens. To reduce the risk of fire, keep away from combustible materials while in operation.

**CAUTION:** Operate in a well ventilated area. Do not block vents. Keep them clear to allow proper ventilation.

This product will accept DieHard® 19.2 V lithium-ion battery packs and Craftsman 19.2 V nickel-cadmium battery packs.

For complete charging and battery instructions, refer to the Operator's Manual for the battery packs and chargers listed in the General Safety Rules.

## BATTERY PROTECTION FEATURES

DieHard® 19.2 V lithium-ion battery packs are designed with features that protect the lithium-ion cells and maximize battery life.

If the tool stops during use, release the trigger to reset and resume operation. If the tool still does not work, the battery needs to be recharged.

# OPERATION

## TO INSTALL BATTERY PACK

See Figure 3.

- Place the battery pack in the tool.
- Make sure the latches on each side of the battery pack snap into place and the battery pack is secured on the tool before beginning operation.

**CAUTION:** When placing battery pack in the tool, be sure raised rib on battery pack aligns with the bottom of the spotlight and latches into place properly. Improper installation of the battery pack can cause damage to internal components.

**WARNING:** Always remove battery pack from your tool when you are assembling parts, making adjustments, cleaning, or when not in use. Removing battery pack will prevent accidental starting that could cause serious personal injury.

## TO REMOVE BATTERY PACK

See Figure 3.

- Depress the latches on the side of battery pack.
- Remove the battery pack.

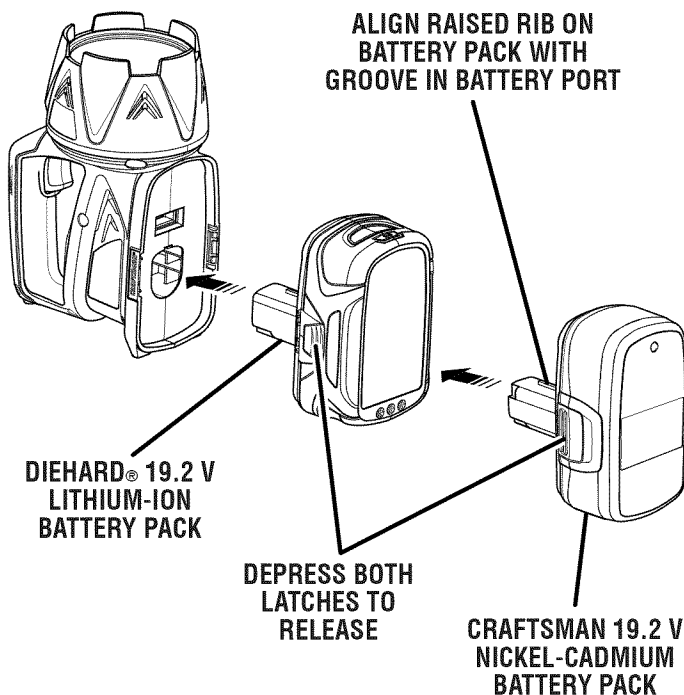


Fig. 3

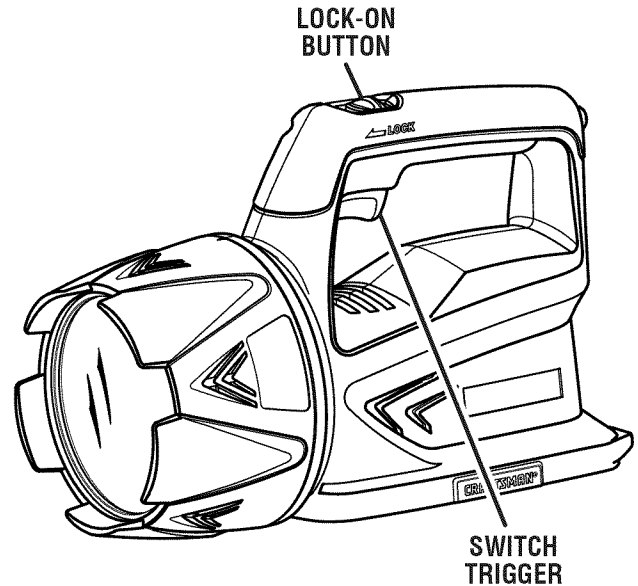


Fig. 4

## SWITCH TRIGGER

See Figure 4.

To turn the spotlight **ON**, depress and hold the switch trigger. To turn it **OFF**, release the switch trigger.

## LOCK-ON BUTTON

See Figure 4.

The spotlight is equipped with a lock-on feature, which is convenient for continuous use for extended periods of time.

### To lock-on:

- Depress the switch trigger.
- Push forward and hold the lock-on button, located on the top of the handle.
- Release the switch trigger.
- Release the lock-on button.
- To release the lock, depress and release the switch trigger.

**WARNING:** Never leave the spotlight in the locked-on position and unattended. Failure to heed this warning could result in serious injury or property damage.

# MAINTENANCE

**WARNING:** When servicing, use only identical Craftsman replacement parts. Use of any other part may create a hazard or cause product damage.

**WARNING:** Always wear safety goggles or safety glasses with side shields when using compressed air to clean products. If the operation is dusty, also wear a dust mask.

**WARNING:** To avoid serious personal injury, always remove the battery pack from the product when cleaning or performing any maintenance.

## GENERAL MAINTENANCE

Avoid using solvents when cleaning plastic parts. Most plastics are susceptible to damage from various types of commercial solvents and may be damaged by their use. Use clean cloths to remove dirt, dust, oil, grease, etc.

**WARNING:** Do not at any time let brake fluids, gasoline, petroleum-based products, penetrating oils, etc. come in contact with plastic parts. Chemicals can damage, weaken or destroy plastic which may result in serious personal injury.

Only the parts shown on the parts list are intended to be repaired or replaced by the customer. All other parts should be replaced at a Sears Service Center.

## REPLACING BULBS

See Figures 5 - 7.

Over time, the bulb will burn out. When this occurs, replacing the bulb will be necessary. Be careful not to touch the bulb glass. This will reduce the life of the bulb.

### To replace a bulb:

- Remove battery from the spotlight and let it cool for at least 5 minutes.
- Turn the bezel counterclockwise to remove.

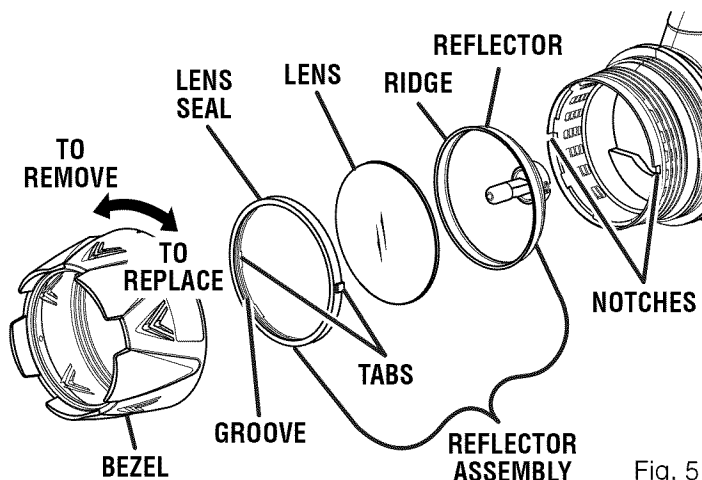


Fig. 5

- Remove the reflector assembly from the spotlight housing. **Do not pull on the leads connected to the assembly.**
- Remove the white connection point from its nest in the housing.

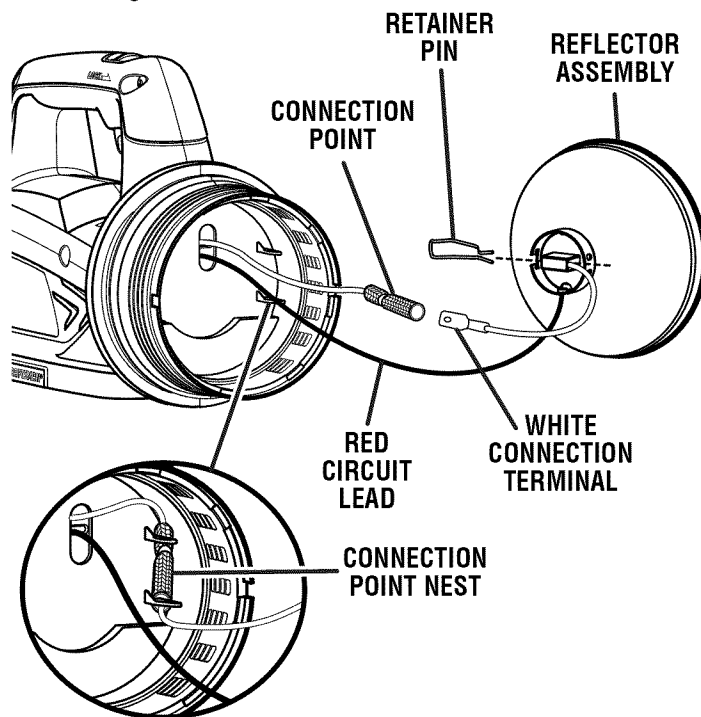


Fig. 6

- Remove the white connection terminal from its connection point.
- NOTE:** Do not pull white lead without holding the connection point, as this may damage lead.
- Remove the retainer pin from the reflector and remove bulb assembly. Bulb assembly may be rotated in reflector if needed to aid in removal.
- Install new bulb assembly.
- Replace bulb retainer pin.
- Hold white connection terminal and reconnect white lead.
- Return the white connection point to its nest.
- Align tabs on each side of lens seal with notches on spotlight housing and seat lens seal in place.
- Reattach bezel carefully by rotating clockwise.
- Tighten securely.

**NOTE:** Always ask for replacement bulb H3 6V55W, number 019020001007.

**CAUTION:** Do not use a higher rated bulb other than the specified wattage. This could cause damage to the product.



# MAINTENANCE

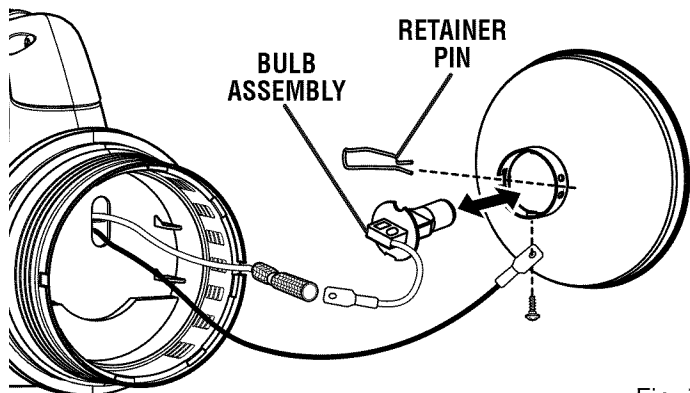


Fig. 7

## REPLACEMENT FUSE

See Figure 8.

If the spotlight blows its fuse, you will need to replace it. Look for replacement fuses where you purchased this product.

- Remove the battery pack from the spotlight to access fuse housing.
- Remove the current fuse and discard. Use a pair of fuse pullers if necessary.
- Use 10 A JAT blade type automotive fuse to replace the blown fuse.

**NOTE:** Only use 10 A JAT blade type automotive fuses for replacement. If second fuse blows, return to authorized service center for repair. Always ask for replacement fuse number 019020001013.

**CAUTION:** Do not use a higher rated fuse other than the specified amperage. This could cause damage to the product.

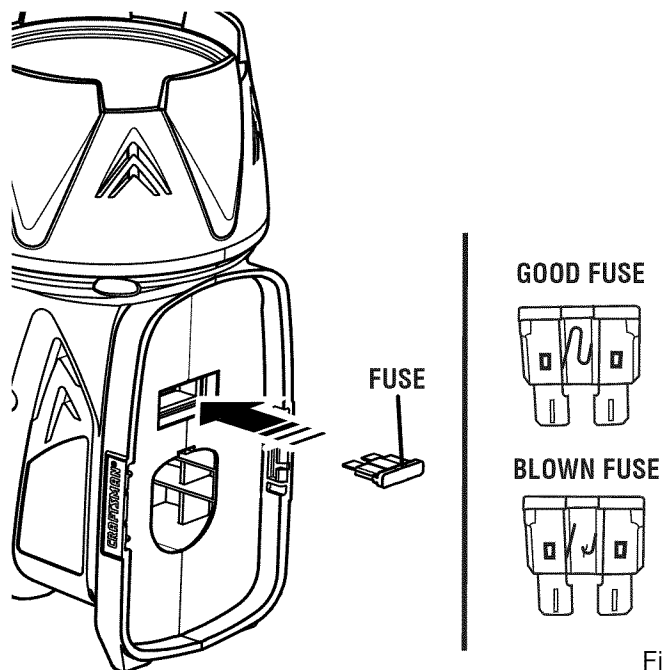


Fig. 8

## BATTERY PACK REMOVAL AND PREPARATION FOR RECYCLING

**WARNING:** Upon removal, cover the battery pack's terminals with heavy-duty adhesive tape. Do not attempt to destroy or disassemble battery pack or remove any of its components. Lithium-ion and nickel-cadmium batteries must be recycled or disposed of properly. Also, never touch both terminals with metal objects and/or body parts as short circuit may result. Keep away from children. Failure to comply with these warnings could result in fire and/or serious injury.

# Get it fixed, at your home or ours!

## Your Home

For expert troubleshooting and home solutions advice:

**manage my home**

[www.managemyhome.com](http://www.managemyhome.com)

For repair – **in your home** – of **all** major brand appliances, lawn and garden equipment, or heating and cooling systems, **no matter who made it, no matter who sold it!**

For the replacement parts, accessories and owner's manuals that you need to do-it-yourself.

For Sears professional installation of home appliances and items like garage door openers and water heaters.

**1-800-4-MY-HOME®** (1-800-469-4663)

Call anytime, day or night (U.S.A. and Canada)

[www.sears.com](http://www.sears.com)      [www.sears.ca](http://www.sears.ca)

## Our Home

For repair of carry-in items like vacuums, lawn equipment, and electronics, call anytime for the location of your nearest

**Sears Parts & Repair Service Center**

**1-800-488-1222** (U.S.A.)

[www.sears.com](http://www.sears.com)

**1-800-469-4663** (Canada)

[www.sears.ca](http://www.sears.ca)

To purchase a protection agreement on a product serviced by Sears:

**1-800-827-6655** (U.S.A.)

**1-800-361-6665** (Canada)

Para pedir servicio de reparación a domicilio, y para ordenar piezas:

**1-888-SU-HOGAR®**

(1-888-784-6427)

Au Canada pour service en français:

**1-800-LE-FOYER<sup>MC</sup>**

(1-800-533-6937)

[www.sears.ca](http://www.sears.ca)

**Sears**

® Registered Trademark / ™ Trademark / <sup>SM</sup> Service Mark of Sears Brands, LLC

® Marca Registrada / ™ Marca de Fábrica / <sup>SM</sup> Marca de Servicio de Sears Brands, LLC

<sup>MC</sup> Marque de commerce / <sup>MD</sup> Marque déposée de Sears Brands, LLC

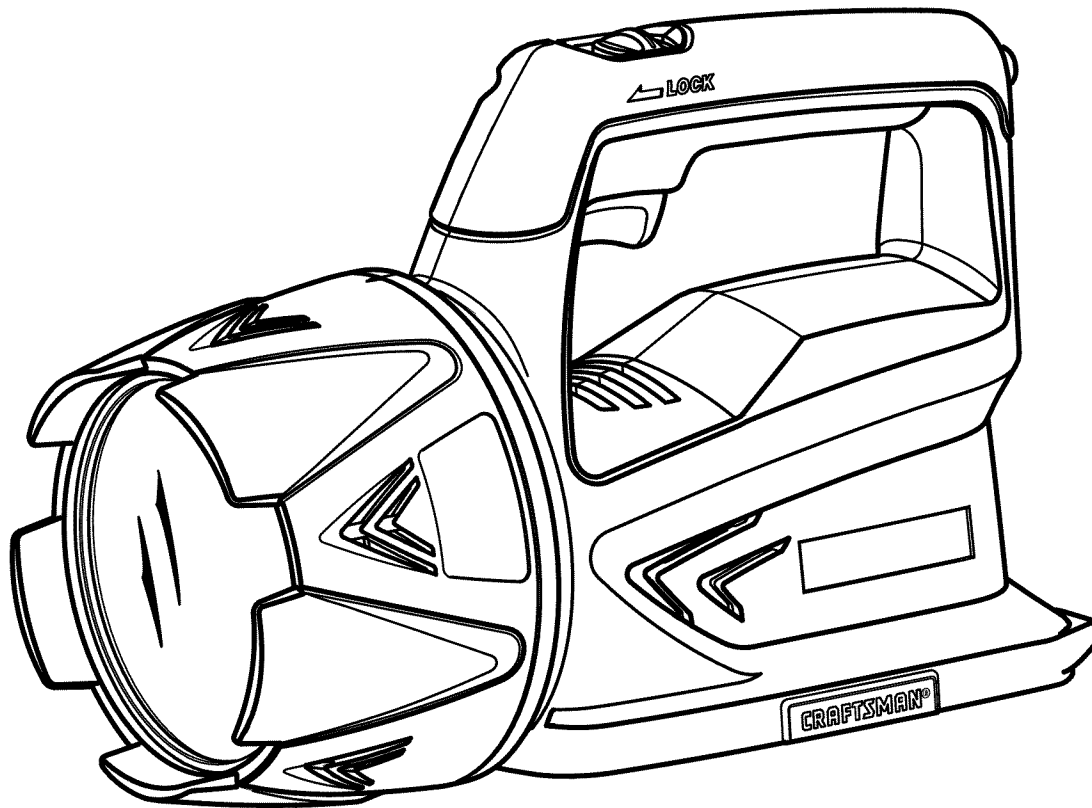
© Sears Brands, LLC

# MANUAL DEL OPERADOR



## REFLECTOR DE 19,2 V

Numero de Modelo  
315.115930



**⚠ ADVERTENCIA:** Para reducir el riesgo de lesiones, el usuario debe leer y comprender el manual del operador antes de usar este producto.

**LAS PILAS Y LOS CARGADORES  
SE VENDEN POR SEPARADO**

**ACEPTA TODO LOS PAQUETES DE  
BATERÍAS DE CRAFTSMAN 19,2 V**

Teléfono de atención al consumidor: 1-800-932-3188

Sears, Roebuck and Co., 3333 Beverly Rd., Hoffman Estates, IL 60179 USA

Visite el sitio web de Craftsman: [www.sears.com/craftsman](http://www.sears.com/craftsman)

987000-315  
11-10-08 (REV:01)

**Guarde este manual para futuras consultas**



# ÍNDICE DE CONTENIDO

■ Garantía .....	2
■ Introducción .....	2
■ Reglas de seguridad generales .....	3
■ Símbolos .....	4
■ Características .....	5
■ Armado .....	5-6
■ Funcionamiento .....	6-7
■ Mantenimiento .....	8-9
■ Pedidos de piezas / Servicio .....	Pág. posterior

## GARANTÍA

### UN AÑO DE GARANTÍA TOTAL EN LAS HERRAMIENTAS CRAFTSMAN

Si esta herramienta Craftsman no le brinda satisfacción completa dentro de un período de un año a partir de la fecha de compra, **REGRÉSELA A CUALQUIER TIENDA SEARS U OTRO LUGAR DE VENTA DE PRODUCTOS CRAFTSMAN EN ESTADOS UNIDOS, DONDE LE SERÁ REEMPLAZADA GRATUITAMENTE.**

Si esta herramienta Craftsman se emplea para fines comerciales o se alquila, esta garantía es válida solamente durante 90 días a partir de la fecha de compra.

Esta garantía le confiere derechos legales específicos, y es posible que usted goce de otros derechos, los cuales pueden variar de estado a estado.

**Sears, Roebuck and Co., Hoffman Estates, IL 60179 USA**

## INTRODUCCIÓN

Este producto ofrece numerosas características para hacer más agradable y placentero su uso. En el diseño de este producto se ha conferido prioridad a la seguridad, el desempeño y la fiabilidad, por lo cual se facilita su manejo y mantenimiento.

**⚠ ADVERTENCIA:** Algunos polvos generados al efectuarse operaciones de lijado, aserrado, esmerilado, taladrado y de otros tipos en la construcción, contienen sustancias químicas sabidas causantes de cáncer, defectos congénitos y otras afecciones del aparato reproductor. Algunos ejemplos de estas sustancias químicas son:

- plomo de las pinturas a base de plomo,
- silicio cristalino de los ladrillos, del cemento y de otros productos de albañilería, y
- arsénico y cromo de la madera químicamente tratada.

El riesgo de la exposición a estos compuestos varía, según la frecuencia con que se realice este tipo de trabajo. Para reducir la exposición personal a este tipo de compuestos: trabaje en áreas bien ventiladas, y con equipo de seguridad aprobado, tal como las caretas para el polvo especialmente diseñadas para filtrar partículas microscópicas.

# REGLAS DE SEGURIDAD GENERALES

## INSTRUCCIONES DE SEGURIDAD IMPORTANTES

**⚠ ADVERTENCIA! LEA Y COMPRENDA TODAS LAS INSTRUCCIONES.** El incumplimiento de las instrucciones señaladas enseguida puede causar descargas eléctricas, incendios y lesiones serias.

**⚠ ¡ADVERTENCIA!** Siempre se deben tomar precauciones básicas al usar aparatos eléctricos, incluidas las siguientes:

- **Lea todas las instrucciones antes de usar el aparato.**
- **Para reducir el riesgo de lesiones, se requiere una estrecha supervisión cuando se use el aparato cerca de niños.**
- **Para reducir el riesgo de descarga eléctrica, no ponga la reflector ni el cargador en el agua ni en otro líquido.** No coloque ni guarde el aparato donde pueda caer o ser arrastrado a una bañera, lavamanos o fregadero.
- **Use únicamente el cargador suministrado por el fabricante para recargar el aparato.**
- **Utilice solamente la baterías recomendados.** Cualquier intento de utilizar otra baterías causará daños a la reflector, y posiblemente podría explotar, causando un incendio o lesiones corporales.

MODELO	PAQUETE DE BATERÍAS (Li-ion)	CARGADOR
315.115930	315.113740 (130285003, 130285006) 315.113710 (130156001)	(Química Múltiple) 315.259260 (140351001)
	PAQUETE DE BATERÍAS (Ni-Cd)	315.259260 (140351001)
	130279003, 130279005 (Item No. <sup>®</sup> 11375)	1425301 ( <sup>®</sup> 11041) 315.115730 (140301003) 315.115720 (140301001)

- **Quite la baterías de la reflector antes de reemplazar el foco o de realizar cualquier tarea rutinaria de mantenimiento o limpieza.** Reemplace el foco con uno del mismo tipo que tenga la misma capacidad nominal de H3, 6 V55 W.
- **No desarme la reflector.**
- **No coloque la reflector ni la baterías cerca del fuego o del calor.** Pueden explotar. Además, **no** deseche la baterías incinerándola cuando se agote. No incinere la baterías, incluso si está seriamente dañada o completamente agotada. La baterías puede estallar e inflamarse.
- **No utilice la reflector ni el cargador cerca de líquidos inflamables ni en entornos gaseosos o explosivos.** Las chispas internas pueden inflamar las emanaciones.
- **No guarde la reflector en lugares mojados o húmedos.**
- **No guarde la unidad en lugares donde la temperatura sea inferior a 10 °C (50 °F) o superior a 38 °C (100 °F).** No guarde la unidad a la intemperie ni en el interior de vehículos.
- **No permita a los niños utilizar sin supervisión la reflector.** No es un juguete. El foco se calienta después de estar encendido por un breve período de tiempo. Si se tocas, su elevada temperatura puede causar lesiones por quemadura y puede generar suficiente calor para derretir ciertas telas.

- **Si la lente de la reflector se envuelve o se pone en contacto con telas, puede generar el suficiente calor para derretir algunas de ellas.** Para evitar lesiones corporales serias, nunca permita que la lente de la reflector toque nada.
- **Mantenga la lámpara seca, limpia y libre de aceites y grasas.** Siempre utilice un paño limpio para limpiar la unidad. Nunca utilice fluidos para frenos, gasolina, productos a base de petróleo ni disolventes fuertes para limpiar la reflector.
- **No exponga la reflector a la lluvia.** El agua que penetra a una herramienta eléctrica aumenta el riesgo de descargas eléctricas o mal funcionamiento.
- **No estire el cuerpo para alcanzar una distancia mayor a la natural. Mantenga una postura firme y buen equilibrio en todo momento.** Una postura firme y un buen equilibrio permiten un mejor control de la reflector en situaciones inesperadas. No utilice la unidad al estar en una escalera o en un soporte inestable.
- **No deje el reflector desatendido mientras está en la posición de ENCENDIDO.**

### EMPLEO Y CUIDADO DE LA REFLECTOR







- **Este producto es para uso casero.**
- **Guarde la reflector fuera del alcance de los niños y de toda persona no capacitada en el uso de la misma.** Las lámparas de trabajo son peligrosas en manos de personas no capacitadas en su uso.
- **Permita que la reflector se enfríe durante varios minutos después de usarla antes de cambiar el foco.**
- **No use ni permita que se use la reflector al estar en cama ni en sacos de dormir.** La lente de esta reflector puede derretir telas, con lo cual podrían resultar lesiones por quemadura.
- **No apunte el reflector encendido directamente a los ojos.**

### REGLAS DE SEGURIDAD PARA EL USO DE LAMPARAS DE TRABAJO CON BATERÍAS




- **En condiciones extremas de uso o temperatura es posible que se derrame fluido de la baterías.** Si el fluido llega a tocarle la piel, lávese de inmediato con agua y jabón, y después neutralice el fluido con jugo de limón o vinagre. Si le entra líquido en los ojos, láveselos con agua limpia por lo menos 10 minutos, y después consiga atención médica de inmediato.
- **Las baterías pueden explotar en presencia de fuentes de inflamación, como los pilotos de gas.** Para reducir el riesgo de lesiones serias, nunca use un producto inalámbrico en presencia de llamas expuestas. La explosión de una baterías puede lanzar fragmentos y compuestos químicos. Si ha estado expuesto a la explosión de una baterías, lávese de inmediato con agua.
- **No aplaste, deje caer o dañe de baterías. Nunca utilice una baterías o cargador que se ha caído, aplastado, recibido un golpe contundente o ha sido dañado(a) de alguna manera.** Las baterías dañadas pueden sufrir explosiones. Deseche de inmediato toda pila que haya sufrido una caída o cualquier daño.
- **Si está dañado el cordón de corriente, debe ser reemplazado únicamente por el fabricante o en un centro de servicio autorizado para evitar riesgos.**
- **Riesgo de quemaduras-no tocar. Riesgo de incendio-mantener alejado de todo material combustible.**
- **El lente se calienta mucho durante el uso.** Para reducir el riesgo de quemaduras, no toque el lente cuando está caliente. Para reducir el riesgo de incendio, manténgalo alejado de todo material combustible durante la operación.


# SÍMBOLOS

Es posible que se empleen en este producto algunos de los siguientes símbolos. Por favor, estúdielos y aprenda su significado. Una correcta interpretación de estos símbolos le permitirá utilizar mejor y de manera más segura este producto.

SÍMBOLO	NOMBRE	DENOMINACIÓN/EXPLICACIÓN
V	Voltios	Voltaje
A	Amperios	Corriente
min	Minutos	Tiempo
~	Corriente alterna	Tipo de corriente
===	Corriente continua	Tipo o característica de la corriente
$n_0$	Velocidad en vacío	Velocidad de rotación, en vacío
	Fabricación Clase II	Fabricación con doble aislamiento
.../min	Por minuto	Revoluciones, carreras, velocidad superficial, órbitas, etc., por minuto
	Alerta de condiciones húmedas	No exponga la unidad a la lluvia ni la use en lugares húmedos.
	Lea el manual del operador	Para reducir el riesgo de lesiones, el usuario debe leer y comprender el manual del operador antes de usar este producto.
	Alerta de seguridad	Precauciones relacionadas a su seguridad.
	Superficies calientes	Para reducir el riesgo de lesiones corporales o daños materiales evite tocar toda superficie caliente.
	Símbolos de reciclado	Este producto contiene baterías de níquel-cadmio o iones de litio. Es posible que algunas leyes municipales, estatales o federales prohíban desechar las baterías de níquel-cadmio en la basura normal. Consulte a las autoridades reguladoras de desechos para obtener información en relación con las alternativas de reciclado y desecho disponibles.

Las siguientes palabras de señalización y sus significados tienen el objeto de explicar los niveles de riesgo relacionados con este producto.

SÍMBOLO	SEÑAL	SIGNIFICADO
	<b>PELIGRO:</b>	Indica una situación peligrosa inminente, la cual, si no se evita, causará la muerte o lesiones serias.
	<b>ADVERTENCIA:</b>	Indica una situación peligrosa posible, la cual, si no se evita, podría causar la muerte o lesiones serias.
	<b>PRECAUCIÓN:</b>	Indica una situación peligrosa posible, la cual, si no se evita, podría causar lesiones menores o leves.
	<b>PRECAUCIÓN:</b>	(sin el símbolo de alerta de seguridad) Indica una situación que puede producir daños materiales.

 **ADVERTENCIA:** Para evitar lesiones corporales serias, no intente utilizar este producto sin haber leído y comprendido totalmente el manual del operador. Si no comprende los avisos de advertencia y las instrucciones del manual del operador, no utilice este producto. Comuníquese con la Línea de Ayuda al Cliente de Craftsman, llamando al 1-800-932-3188, donde le brindaremos asistencia.

## GUARDE ESTAS INSTRUCCIONES

# CARACTERÍSTICAS

## ESPECIFICACIONES DEL PRODUCTO

Foco ..... Halógeno de 6 V      Peso ..... 0,67 kg (1,5 lb)

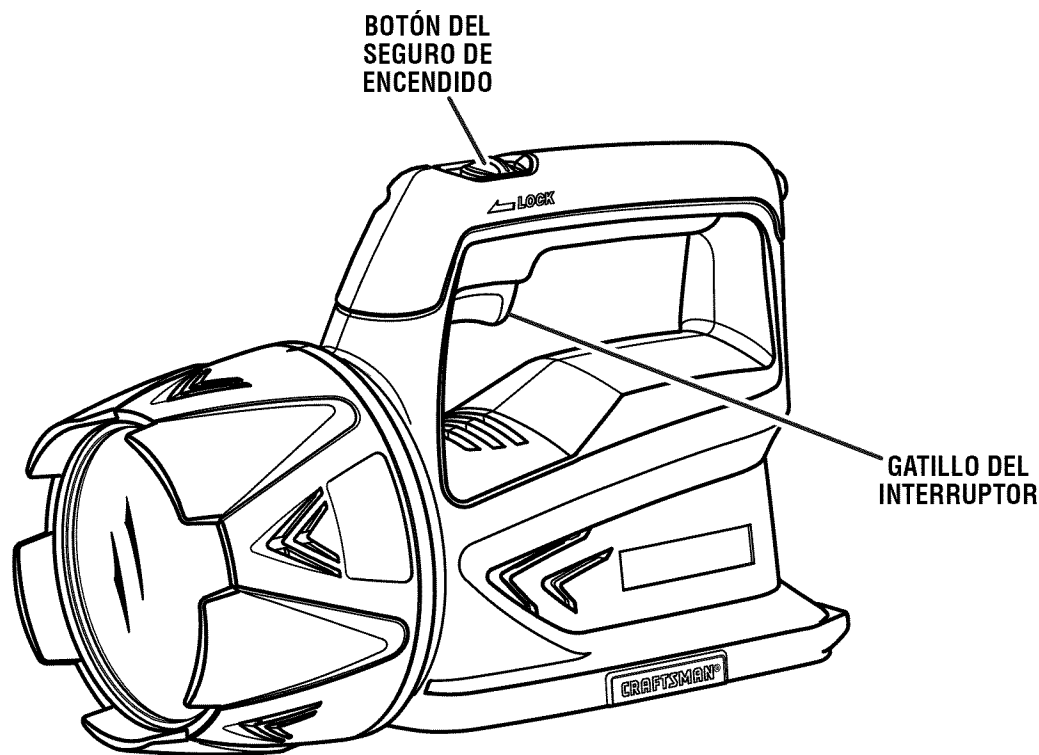


Fig. 1

## FAMILIARÍCESE CON SU REFLECTOR

Vea la figura 1.

El uso seguro que este producto requiere la comprensión de la información impresa en la herramienta y en el manual del operador así como ciertos conocimientos sobre el proyecto a realizar. Antes de usar este producto, familiarícese con todas las características de funcionamiento y normas de seguridad.

## BOTÓN DEL SEGURO DE ENCENDIDO

El botón del seguro de encendido útil para uso continuo durante períodos de tiempo prolongados.

# ARMADO

## DESEMPAQUETADO

Este producto se requiere quitar la etiqueta.

- Extraiga cuidadosamente de la caja el producto y los accesorios. Compruebe que estén presentes todos los artículos enumerados en la lista de empaquetado.
- Inspeccione cuidadosamente el producto, para verificar que no haya sufrido ninguna rotura o daño durante el transporte.
- No deseche el material de empaquetado hasta que haya inspeccionado el producto con cuidado y la haya utilizado satisfactoriamente.
- Si hay piezas dañadas o faltantes, le suplicamos llamar al 1-800-932-3188, donde le brindaremos asistencia.

## LISTA DE EMPAQUETADO

Reflector  
Manual del operador

**⚠ ADVERTENCIA:** Si hay piezas dañadas o faltantes, no utilice este producto hasta haberlas reemplazado todas. La falta de atención a esta advertencia puede causar lesiones corporales graves.

## ARMADO

**⚠ ADVERTENCIA:** No intente modificar este producto ni fabricar accesorios no recomendados para ella. Cualquier alteración o modificación constituye maltrato y puede causar una condición peligrosa, con las consecuentes lesiones corporales graves.

**⚠ ADVERTENCIA:** Para evitar un arranque accidental que pudiera causar lesiones corporales graves, desmonte siempre el paquete de baterías antes de instalar piezas en el producto.

### CÓMO QUITAR LA ETIQUETA DE ADVERTENCIA

Vea la figura 2.

El reflector viene con una etiqueta de advertencia. Retire la etiqueta de advertencia antes de usar el producto, como se muestra en la figura 2.



Fig. 2

## FUNCIONAMIENTO

**⚠ ADVERTENCIA:** No permita que su familiarización con los productos lo vuelva descuidado. Tenga presente que un descuido de un instante es suficiente para causar una lesión grave.

**⚠ ADVERTENCIA:** Cuando utilice productos, póngase siempre gafas de seguridad o anteojos protectores con protección lateral. La falta de atención a esta advertencia puede ocasionar el lanzamiento de objetos a los ojos, con el consecuente riesgo de lesiones graves.

**⚠ ADVERTENCIA:** No utilice ningún aditamento o accesorio no recomendado por el fabricante de este producto. El empleo de aditamentos o accesorios no recomendados puede causar lesiones graves.

### APLICACIONES

Este producto puede emplearse para los fines enumerado abajo:

- Para iluminar todas las áreas que requieran luz adicional
- Para iluminar objetos distantes

**⚠ ADVERTENCIA:** El lente se calienta mucho durante el uso. Para reducir el riesgo de quemaduras, no toque el lente cuando está caliente. Para reducir el riesgo de incendio, manténgalo alejado de todo material combustible durante la operación.

**PRECAUCIÓN:** Opere en un área bien ventilada. No bloquee las rejillas de ventilación. Manténgalas limpias para permitir que la ventilación sea apropiada

Este producto acepta los paquetes de baterías DieHard® de iones de litio de 19,2 V y los paquetes de baterías Craftsman de níquel-cadmio de 19,2 V.

Para ver las instrucciones de carga y batería completas, consulte el manual del operador de los paquetes de baterías y cargadores enumerados en las Reglas de seguridad generales.

### CARACTERÍSTICAS DE PROTECCIÓN DE LAS BATERÍAS

Las baterías de iones de litio DieHard® de 19,2 V están diseñadas con características que protegen las celdas de iones de litio y maximizan la duración de las baterías.

Si la herramienta se detiene durante el uso, suelte el gatillo para reiniciarla y reanude el funcionamiento. Si aun así no funciona, se debe recargar la batería.



# FUNCIONAMIENTO

## PARA INSTALAR EL PAQUETE DE BATERÍAS

Vea la figura 3.

- Coloque el paquete de baterías en la herramienta.
- Asegúrese de que los pestillos situados en ambos lados del paquete de baterías entren completamente en su lugar con un chasquido y de que el paquete quede bien asegurado en la herramienta antes de empezar a utilizar ésta.

**PRECAUCIÓN:** Al colocar el paquete de baterías en la herramienta, asegúrese que la costilla realzada del mismo quede alineada con la parte inferior del reflector y de que los pestillos entren adecuadamente en su lugar con un chasquido. Si no se instala debidamente el paquete de baterías pueden dañarse los componentes internos.

**⚠ ADVERTENCIA:** Retire siempre el paquete de baterías de la herramienta antes de instalar las piezas, realizar ajustes, limpiarla o cuando no la utilice. Retirar el paquete de baterías evitará que la unidad se accione accidentalmente y provoque lesiones graves.

## PARA DESMONTAR EL PAQUETE DE PILAS

Vea la figura 3.

- Oprima los pestillos laterales del paquete de baterías.
- Retire el paquete de baterías.

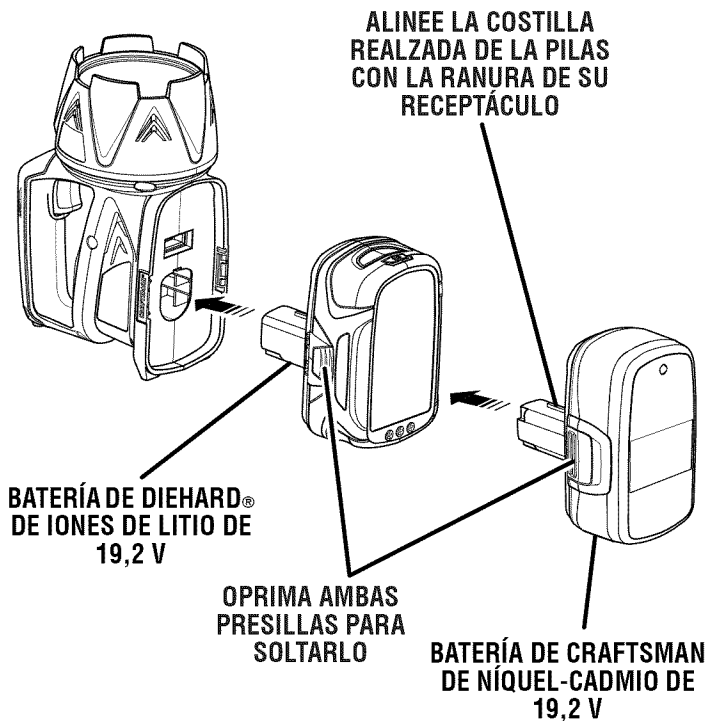


Fig. 3

BOTÓN DEL SEGURO DE ENCENDIDO

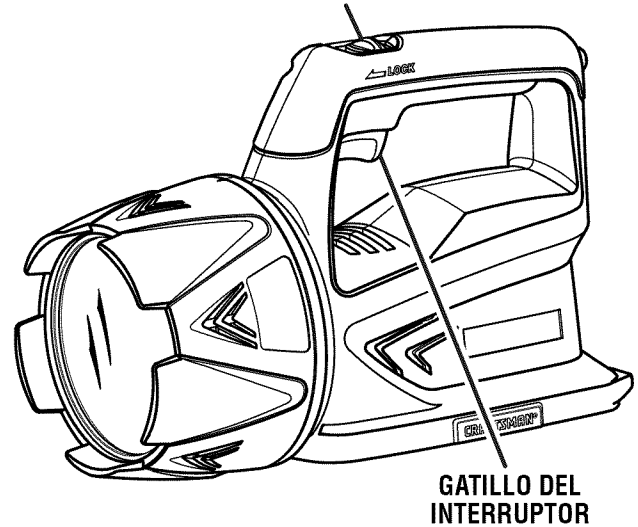


Fig. 4

## GATILLO DEL INTERRUPTOR

Vea la figura 4.

Para **ENCENDER** el reflector, oprima y sostener el gatillo del interruptor. Para **APAGAR** la unidad, liberación el gatillo del interruptor.

## BOTÓN DEL SEGURO DE ENCENDIDO

Vea la figura 4.

Este reflector está equipado de un seguro de encendido, el cual es muy útil cuando se requiere para uso continuo durante períodos de tiempo prolongados.

### Para poner el seguro de encendido:

- Oprima y sostener el gatillo del interruptor.
- Empuje hacia adentro y no deje salir el botón del seguro de encendido, el cual está situado en el superior del mango.
- Suelte el gatillo del interruptor.
- Suelte el botón del seguro de encendido.
- Para quitar el seguro, oprima el gatillo del interruptor y suéltelo.

**⚠ ADVERTENCIA:** No deje el reflector desatendido con el seguro de encendido colocado. Failure to heed this warning could result in serious injury or property damage.

# MANTENIMIENTO

**⚠ ADVERTENCIA:** Al dar servicio a la herramienta, utilice solamente piezas de repuesto Craftsman idénticas. El empleo de piezas diferentes puede implicar peligro o causar daños al producto.

**⚠ ADVERTENCIA:** Cuando utilice aire comprimido para limpiar herramientas, póngase siempre gafas protectoras o anteojos de seguridad con guardas laterales. Si la operación genera mucho polvo, use también una mascarilla protectora (cubrebocas).

**⚠ ADVERTENCIA:** Para evitar lesiones corporales graves, siempre retire el paquete de baterías de la herramienta al limpiarla o darle mantenimiento.

## MANTENIMIENTO GENERAL

Evite el empleo de solventes al limpiar piezas de plástico. La mayor parte de los plásticos son susceptibles a diferentes tipos de solventes comerciales y pueden resultar dañados. Utilice paños limpios para eliminar la suciedad, polvo, aceite, grasa, etc.

**⚠ ADVERTENCIA:** No permita en ningún momento que líquido para frenos, gasolina, productos a base de petróleo, aceites penetrantes, etc., entren en contacto con las piezas de plástico. Las sustancias químicas pueden dañar, debilitar o destruir el plástico, lo cual puede a su vez producir lesiones corporales graves.

Solamente los componentes enumerados en la lista de piezas pueden ser reparados o cambiados por el consumidor. Todas las piezas restantes deben ser reemplazadas en un centro de servicio Sears.

## CÓMO REEMPLAZAR EL FOCO

Vea las figuras 5 a 7.

Con el tiempo, el foco se quema. Cuando esto sucede, es necesario reemplazar el foco. Tenga cuidado de no tocar el vidrio del foco. Esto reduce la duración del foco.

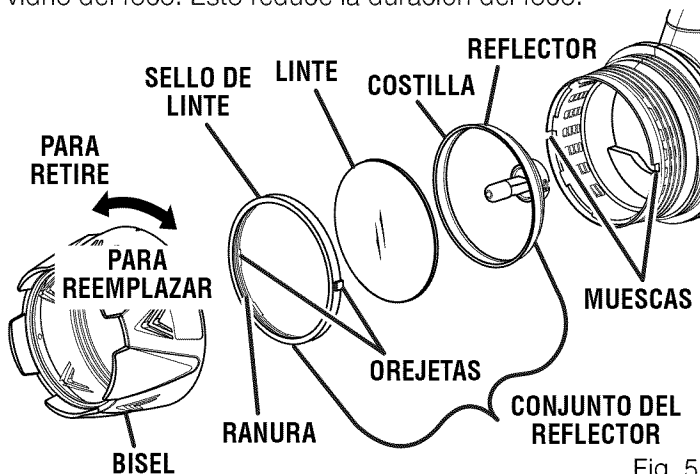


Fig. 5

## Para reemplazar un foco:

- Retire la batería del reflector y déjela enfriar por lo menos durante 5 minutos.
- Gire el bisel a la izquierda para retirarlo.

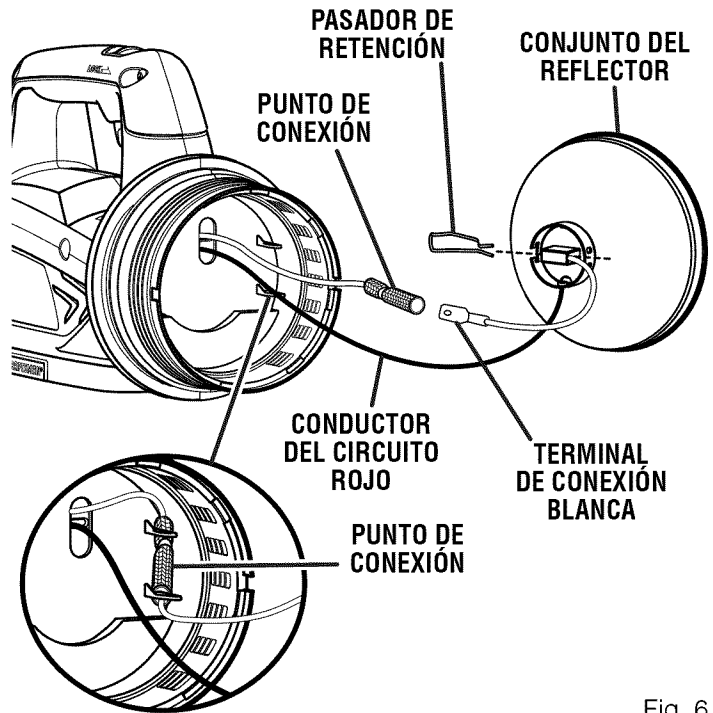


Fig. 6

- Retire el conjunto del reflector del alojamiento del reflector. **No tire de los conductores conectados al conjunto.**
- Retire el punto de conexión blanco de su receptáculo en el alojamiento.
- Retire la terminal de conexión blanca de su punto de conexión.  
**NOTA:** No tire del conductor blanco sin sostener el punto de conexión, ya que esto puede dañar el conductor.
- Retire el pasador de retención del reflector, y el conjunto del foco. Si es necesario, se puede rotar el conjunto del foco en el reflector para que sea más fácil quitarlo.
- Instale el nuevo conjunto del foco.
- Vuelva a colocar el pasador de retención del foco.
- Sostenga la terminal de conexión blanca y vuelva a conectar el conductor blanco.
- Vuelva a colocar el punto de conexión blanco en su receptáculo.
- Alinee las orejetas a cada lado del sello del lente con las ranuras en el alojamiento del reflector y asiente el sello del lente en su lugar.
- Vuelva a colocar con cuidado el bisel, rotándolo a la derecha.
- Apriete firmemente.

# MANTENIMIENTO

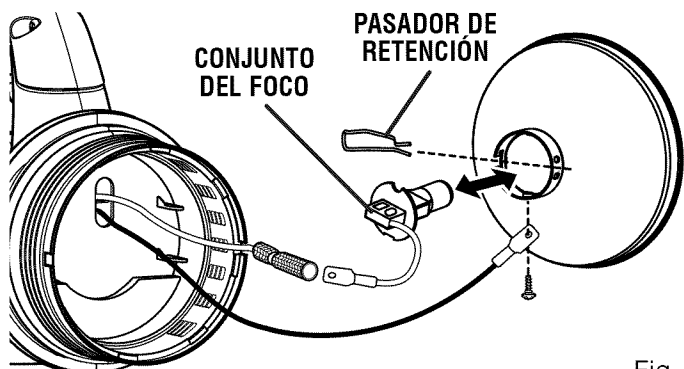


Fig. 7

**NOTA:** Siempre solicite el foco de reemplazo H3 6V55 W, número 019020001007.

**PRECAUCIÓN:** No use un foco de mayor capacidad que el wattaje especificado. Esto puede hacer que el producto se recaliente.

## FUSIBLE DE REPUESTO

Vea la figura 8.

Si se funde el fusible de la reflector, necesitará reemplazarlo. Busque estos fusibles de repuesto donde adquirió este producto.

- Retire de la reflector el paquete de pilas para acceder al alojamiento de fusibles.
- Extraiga el fusible actual y deséchelo. En caso de ser necesario, utilice un par de quitafusibles.
- Para reemplazar el fusible fundido utilice un fusible automotriz de 10 A tipo JAT.

**NOTA:** Utilice solamente fusibles automotrices de 10 A tipo JAT de repuesto. Si se funde un segundo fusible, regrese la aspiradora a un centro de servicio autorizado para su reparación. Solicite siempre un fusible de repuesto número 019020001013.

**PRECAUCIÓN:** No use un fusible de mayor capacidad que el amperaje especificado. Esto puede hacer que el producto se recaliente.

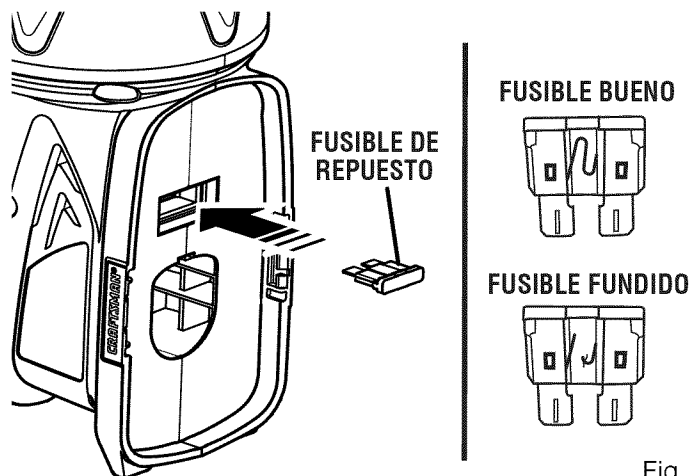


Fig. 8

## REMOCIÓN Y PREPARACIÓN DEL PAQUETE DE BATERÍAS PARA EL RECICLADO

**⚠ ADVERTENCIA:** Al retirar el paquete de baterías, cubra las terminales del mismo con cinta adhesiva reforzada. No intente destruir o desarmar el paquete de baterías, ni de desmontar ninguno de sus componentes. Las baterías deben reciclarse o desecharse debidamente. Asimismo, nunca toque ambas terminales con objetos metálicos y partes del cuerpo, ya que puede producirse un corto circuito. Manténgase fuera del alcance de los niños. La inobservancia de estas advertencias puede causar incendios y lesiones corporales serias.

# Get it fixed, at your home or ours!

## Your Home

For expert troubleshooting and home solutions advice:

**manage my home**

[www.managemyhome.com](http://www.managemyhome.com)

For repair – **in your home** – of **all** major brand appliances, lawn and garden equipment, or heating and cooling systems, **no matter who made it, no matter who sold it!**

For the replacement parts, accessories and owner's manuals that you need to do-it-yourself.

For Sears professional installation of home appliances and items like garage door openers and water heaters.

**1-800-4-MY-HOME<sup>®</sup>** (1-800-469-4663)

Call anytime, day or night (U.S.A. and Canada)

[www.sears.com](http://www.sears.com)      [www.sears.ca](http://www.sears.ca)

## Our Home

For repair of carry-in items like vacuums, lawn equipment, and electronics, call anytime for the location of your nearest

**Sears Parts & Repair Service Center**

**1-800-488-1222** (U.S.A.)      **1-800-469-4663** (Canada)

[www.sears.com](http://www.sears.com)

[www.sears.ca](http://www.sears.ca)

To purchase a protection agreement on a product serviced by Sears:

**1-800-827-6655** (U.S.A.)

**1-800-361-6665** (Canada)

Para pedir servicio de reparación a domicilio, y para ordenar piezas:

**1-888-SU-HOGAR<sup>®</sup>**

(1-888-784-6427)

Au Canada pour service en français:

**1-800-LE-FOYER<sup>MC</sup>**

(1-800-533-6937)

[www.sears.ca](http://www.sears.ca)

**Sears**

® Registered Trademark / <sup>TM</sup> Trademark / <sup>SM</sup> Service Mark of Sears Brands, LLC

® Marca Registrada / <sup>TM</sup> Marca de Fábrica / <sup>SM</sup> Marca de Servicio de Sears Brands, LLC

<sup>MC</sup> Marque de commerce / <sup>MD</sup> Marque déposée de Sears Brands, LLC

© Sears Brands, LLC