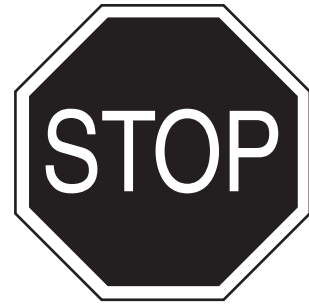


Owner's Manual

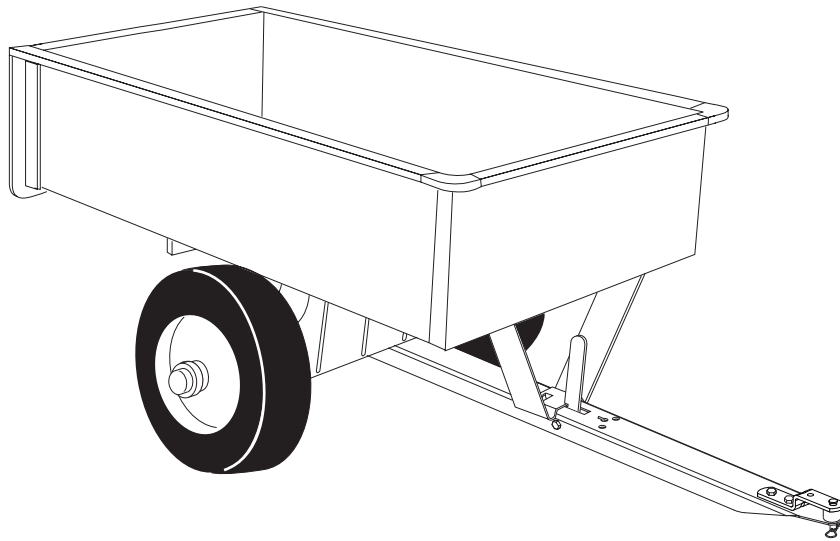
CRAFTSMAN[®]



12 CU. FT. STEEL CART

Model No. 486.24355

DO NOT RETURN TO STORE
For Missing Parts or Assembly
Questions Call 1-866-576-8388



CAUTION:

Before using this product, read this manual and follow all Safety Rules and Operating Instructions.

- Safety
- Assembly
- Operation
- Maintenance
- Parts

Sears Brands Management Corporation, Hoffman Estates, IL 60179 U.S.A.
www.craftsman.com

TABLE OF CONTENTS

SAFETY RULES.....	3	MAINTENANCE	9
FULL SIZE HARDWARE CHART	4	REPAIR PARTS ILLUSTRATION.....	10
CARTON CONTENTS.....	5	REPAIR PARTS LIST.....	11
ASSEMBLY.....	5	PARTS ORDERING/SERVICE	Back Cover
OPERATION.....	9		

WARRANTY

CRAFTSMAN LIMITED WARRANTY

FOR TWO YEARS from the date of sale this product is warranted against defects in material or workmanship. WITH PROOF OF SALE a defective product will be replaced free of charge.

For warranty coverage details to obtain free replacement, visit the web page: www.craftsman.com/warranty

This warranty does not cover expendable items that can wear out from normal use or deterioration within the warranty period, including but not limited to tires, belts, exterior finishes or product labels.

This warranty does not apply to a product that is damaged or altered through transportation, misuse, abuse, corrosion, accident, neglect, modification or mishandling.

This warranty is void if this product is ever used while providing commercial services or if rented to another person.

This warranty gives you specific legal rights, and you may also have other rights which vary from state to state.

SEARS BRANDS MANAGEMENT CORPORATION, Hoffman Estates, IL 60179

DO NOT RETURN TO STORE for Missing Parts or Assembly Questions
Call 1-866-576-8388 Attachment Hotline

The model number and serial numbers will be found on a decal attached to the cart.

You should record both the serial number and the date of purchase and keep in a safe place for future reference.

MODEL NUMBER: 486.24355

SERIAL NUMBER: _____

DATE OF PURCHASE: _____



SAFETY



Any power equipment can cause injury if operated improperly or if the user does not understand how to operate the equipment. Exercise caution at all times when using power equipment.

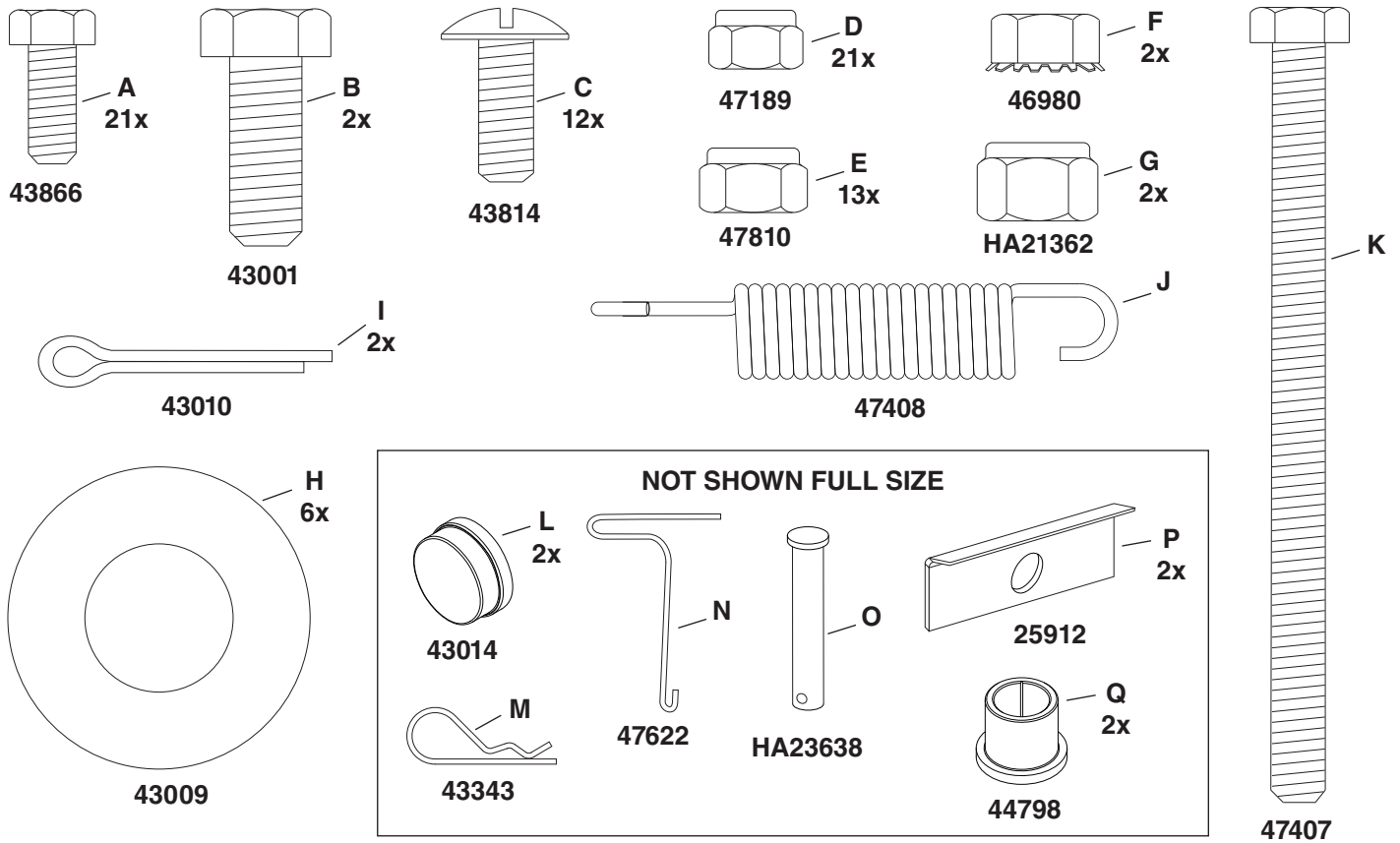
- Read this owners manual before attempting to assemble or operate the cart.
- Read the vehicle owners manual and know how to operate your tractor, before using the cart attachment.
- Do not at any time carry passengers in this cart. It has not been designed to carry passengers.
- Never allow children to operate the tractor or the cart attachment.
- Do not allow adults to operate the tractor or cart attachment without proper instructions.
- Always begin with the transmission in first (low) and gradually increase speed as conditions permit.
- Tow the cart at reduced speed over rough terrain and hillsides or near creeks and ditches to prevent tipping over and loss of control. Do not drive too close to a creek or ditch.
- Vehicle braking and stability may be affected with the attachment of this cart. Do not fill cart to maximum weight capacity without checking the capability of the towing vehicle to safely pull and stop with the cart attached.
- Before operating vehicle on any grade (hill) refer to the safety rules in the vehicle owner's manual concerning safe operation on slopes. Refer also to the slope guide on page 11 of this manual. **Stay off steep slopes!**
- Do not tow this cart on highways or on public thoroughfares.
- Maximum towing speed is 10 m.p.h.
- Follow maintenance and lubrication instructions as outlined in this manual.



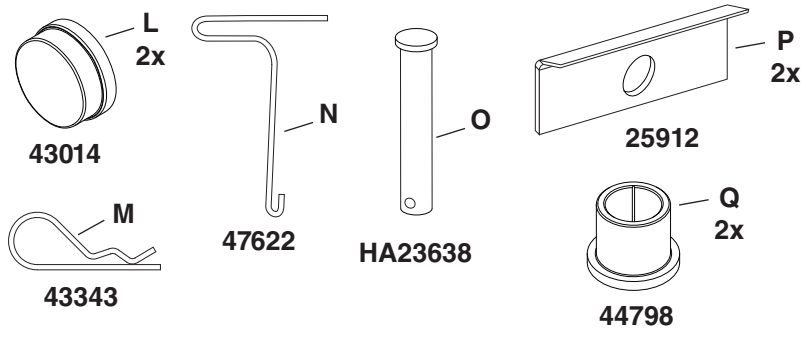
Look for this symbol to point out important safety precautions. It means — **Attention!! Become alert!! Your safety is involved.**

HARDWARE PACKAGE CONTENTS

SHOWN FULL SIZE



NOT SHOWN FULL SIZE

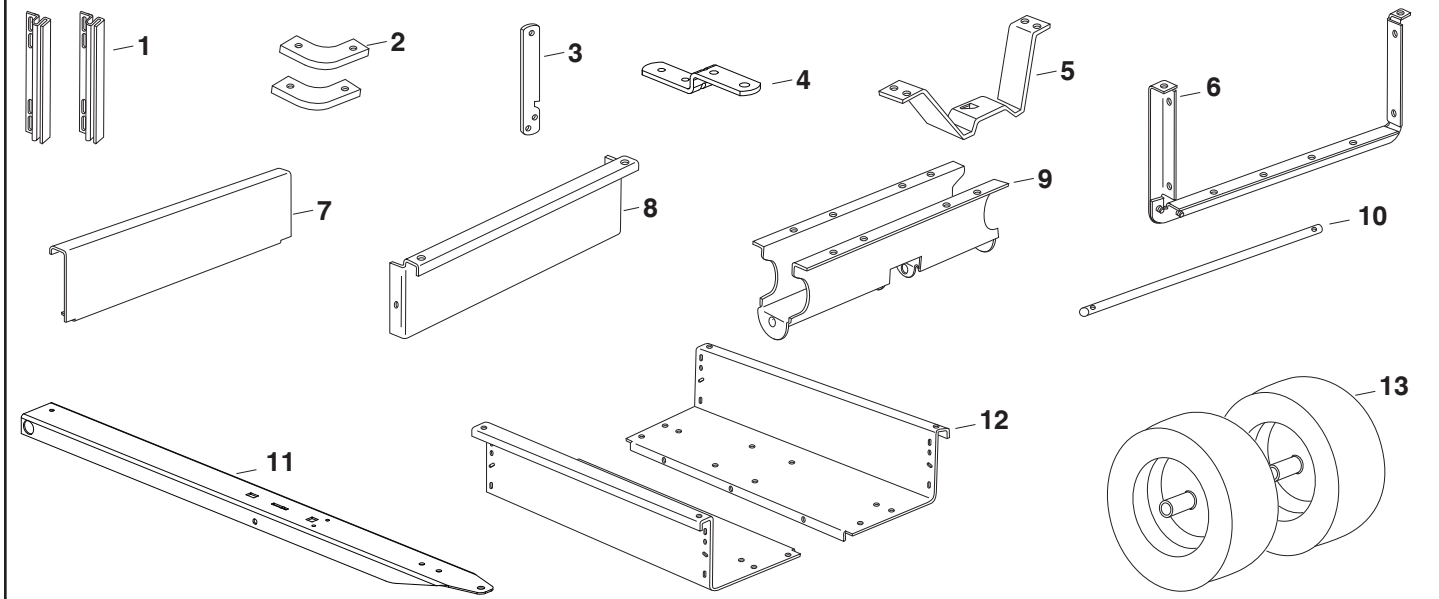


HARDWARE PACKAGE CONTENTS

REF	PART NO	QTY	DESCRIPTION	REF	PART NO	QTY	DESCRIPTION
A	43866	21	Hex Bolt, 1/4" x 5/8"	J	47408	1	Spring
B	43001	2	Hex Bolt, 3/8" x 1"	K	47407	1	Hex Bolt 5/16-18 x 3-3/4"
C	43814	12	Hex Bolt, 5/16" x 3/4"	L	43014	2	Hub Cap
D	47189	21	Nylock Nut, 1/4"	M	43343	1	Hair Cotter Pin
E	47810	13	Nylock Nut, 5/16"	N	47622	1	Spring Puller Tool
F	46980	2	Hex Nut, 5/16" SIMS	O	HA23638	1	Clevis Pin, 1/2" x 1-3/4"
G	HA21362	2	Nylock Nut, 3/8"	P	25912	2	Axle Clip
H	43009	6	Washer, 3/4"	Q	44798	2	Flange Bearing
I	43010	2	Cotter Pin, 1/8"				

ASSEMBLY

CARTON CONTENTS



REF	QTY	PART NO	DESCRIPTION	REF	QTY	PART NO	DESCRIPTION
1	2	23548	Tailgate Guides	8	1	23492	Front Panel
2	2	23484	Corner Caps	9	1	25996	Wheel Support
3	1	24498	Latch Lock Lever	10	1	24896	Axle
4	1	23687	Hitch Bracket	11	1	27716	Tongue
5	1	24497	Wheel Support	12	2	23985	Cart Body
6	1	62458	Tailgate Reinforcement Bracket	13	2	43008	Wheel
7	1	23502	Tailgate				

TOOLS REQUIRED FOR ASSEMBLY

- (2) 7/16" wrenches
- (2) 1/2" wrenches
- (2) 9/16" wrenches
- (1) Screwdriver
- (1) Pliers

- Position cart body halves upright on a smooth level surface such as a garage floor or a paved driveway. See figure 1.
- Assemble halves together using three 1/4" x 5/8" hex bolts and 1/4" nylock nuts as shown in figure 1. **Do not tighten.** See figure 1.

- Select a smooth, level surface for assembling the cart.
- Remove the hardware pack and all loose parts from the carton. Be sure the carton is empty before discarding.
- Lay out all parts as shown in the carton contents.



CAUTION : Do not leave the cart unattended in an upright position while assembling. Pay close attention to the stability of the cart while it remains in an upright position.

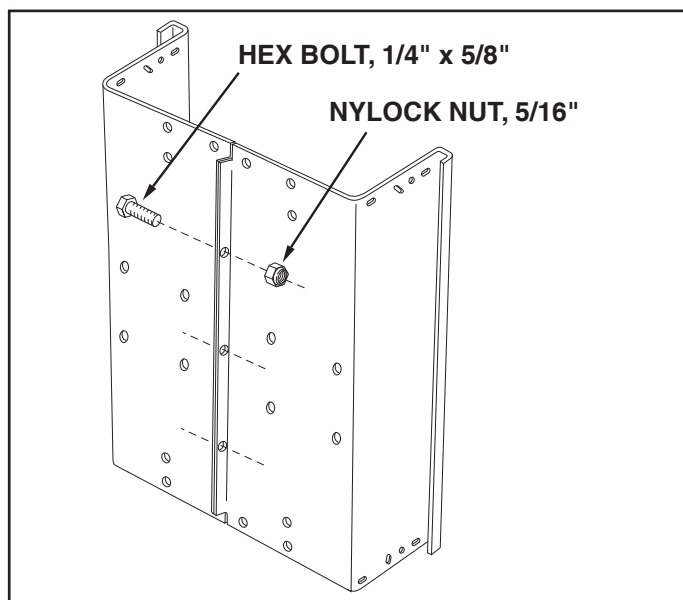


FIGURE 1

- Position the tailgate reinforcement bracket on the outside of the cart. Assemble to the bottom of the cart body using four 5/16" x 3/4" truss head bolts and 5/16" nylock nuts. **Do not tighten.** See figure 2.
- Position the tailgate guides on the inside of the cart bodies with guide channels to the front. Assemble using four 1/4" x 5/8" hex bolts and 1/4" nylock nuts. **Do not tighten.** See figure 2.
- Pull the cart body halves together and **tighten** the four truss head bolts, and then **tighten** the four hex bolts in the sides of the cart. **Do not tighten** the three hex bolts in the bottom of the cart.

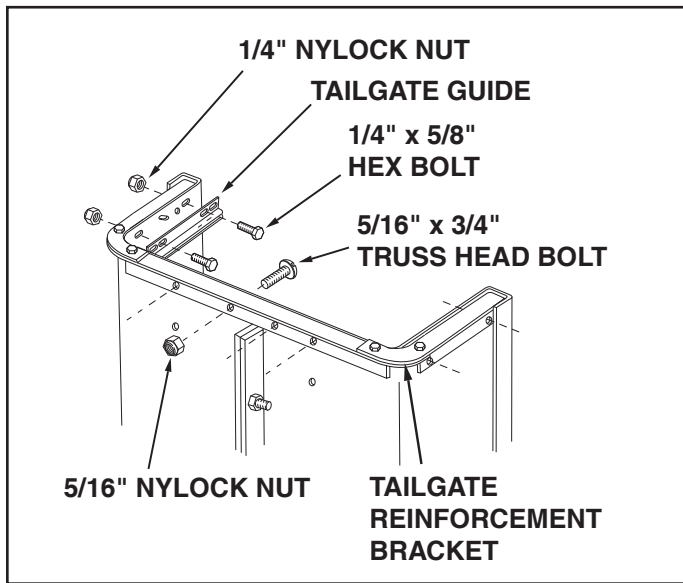


FIGURE 2

- Carefully reverse the position of the cart so that it rests on the tailgate reinforcement bracket, as shown in figure 3.

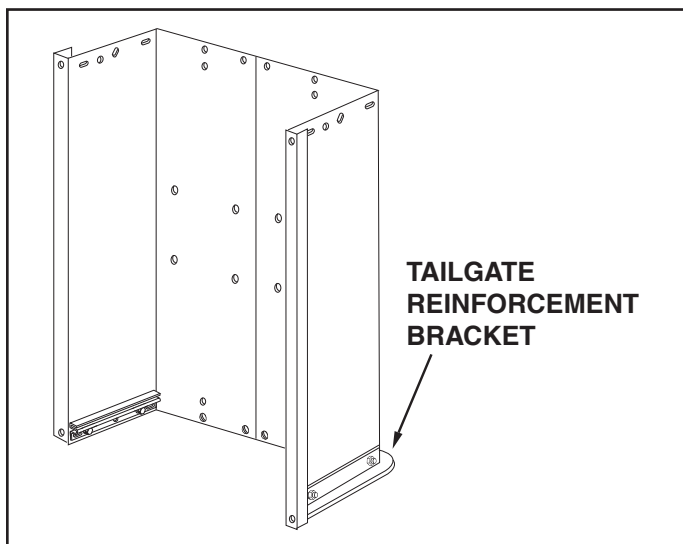


FIGURE 3

- Assemble the front panel over the end of the cart using four 1/4" x 5/8" hex bolts and 1/4" nylock nuts as shown in figure 4. Leave empty the two holes shown in the bottom of the panel. Pull the cart body halves together and **tighten** the two bolts in the bottom of the front panel, then **tighten** the bolt in each side.
- At this time **tighten** the three bolts in the bottom of the cart which were assembled in figure 1.

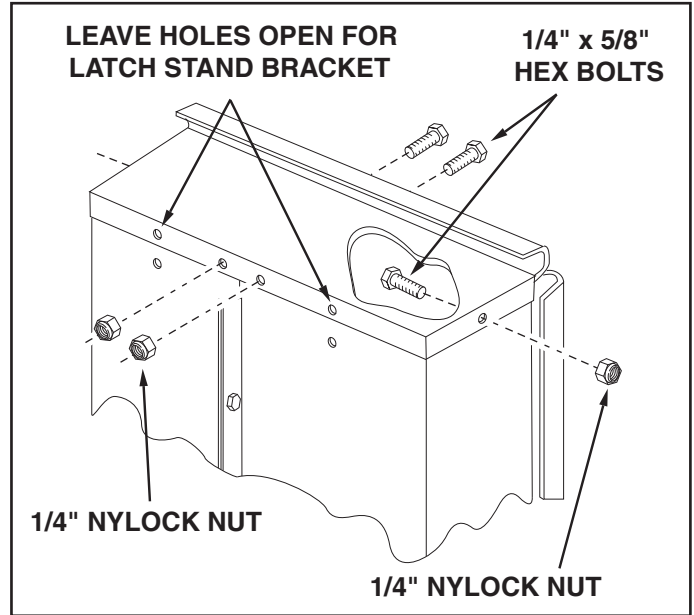


FIGURE 4

- Assemble the wheel support to the cart using eight 5/16" x 3/4" truss head bolts and 5/16" nylock nuts as shown in figure 5. Heads of bolts go to the inside of cart bed. **Tighten.**

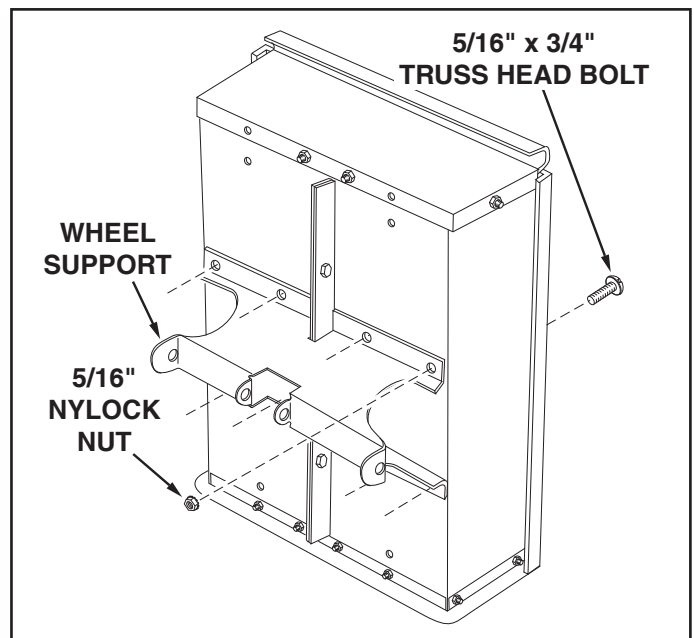


FIGURE 5

- Turn the latch stand bracket so that the aligning tab is at the rear (bottom) of the bracket. Assemble the latch stand bracket to the cart using four 1/4" x 5/8" hex bolts and 1/4" nylock nuts. **TIGHTEN.** See figure 6.

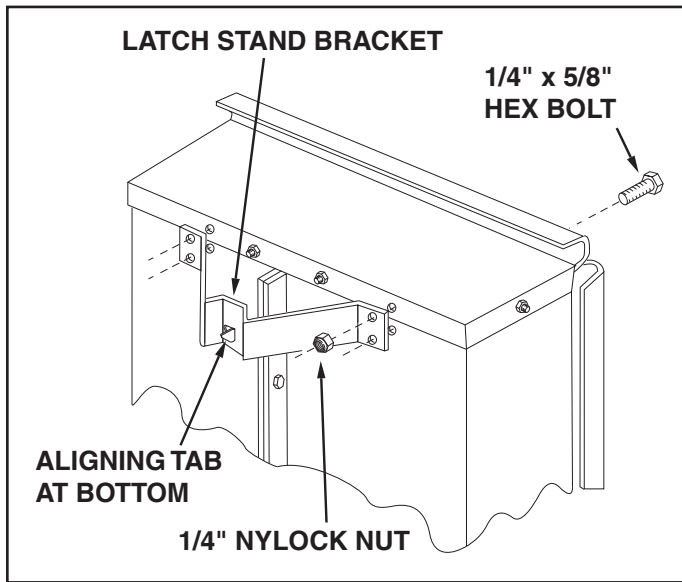


FIGURE 6

- Insert a flange bearing into each side of the tongue as shown in figure 8.

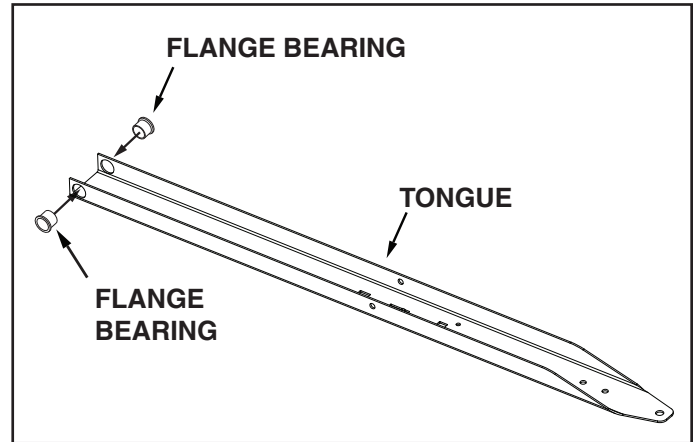


FIGURE 8

- Assemble the two corner caps to the front corners of the cart using four 1/4" x 5/8" hex bolts and 1/4" nylock nuts. **TIGHTEN.** See figure 7.
- Assemble two 1/4" x 5/8" hex bolts and 1/4" nylock nuts to the two rear corners of the cart. **TIGHTEN.** See figure 7.

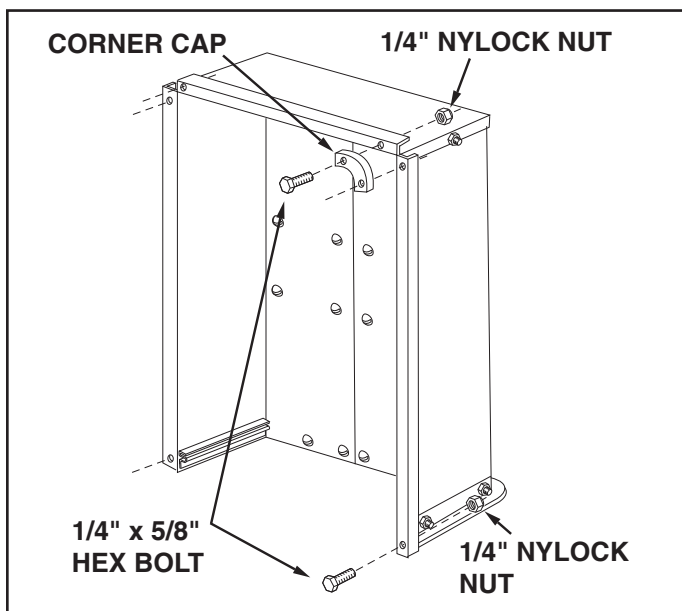


FIGURE 7

- lower the cart to rest upside down on its top flanges, with the wheel support facing up. See figure 9.
- Lay the drawbar tongue (open side facing up) onto the wheel support and the latch stand bracket. Assemble the axle through the wheel support and the tongue. See figure 9.

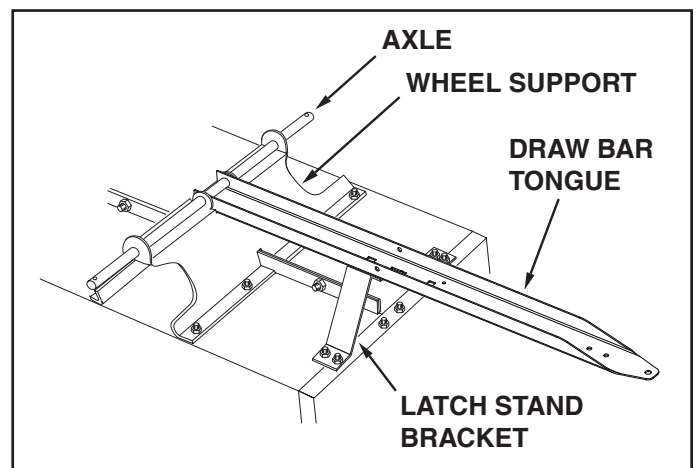


FIGURE 9

- Assemble an axle clip, a flat washer, a wheel with the valve stem facing out, and another flat washer onto each end of the axle. Place an additional flat washer on each end of the axle if there is space for it. Secure each wheel on the axle with a cotter pin, spreading the ends of the pin around the axle. Press a hub cap onto the flat washer on each end of the axle. See figure 10.

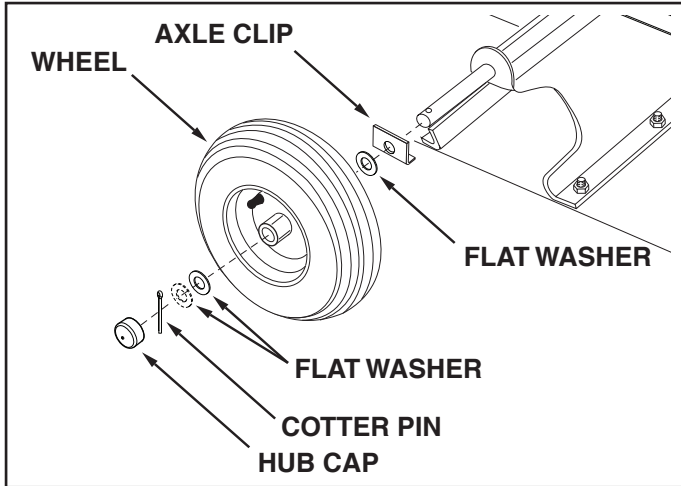


FIGURE 10

- Place the latch lock lever through the slot in the draw bar tongue. Assemble the 5/16" x 3-3/4" hex bolt through the tongue, the lever and two 5/16" hex nuts (SEMS) (one on each side of the lever). Assemble the 5/16" hex lock nut onto the end of the bolt and **tighten** so that the bolt can still rotate freely. **Tighten** the two 5/16" nylock nuts against the sides of the latch lock lever so that the lever is centered in the slot. See figure 11.

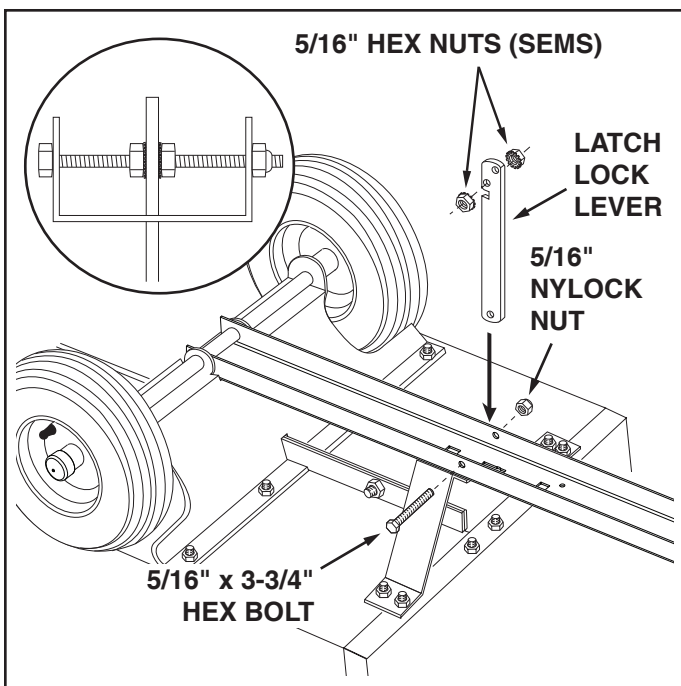


FIGURE 11

- Hook the **short** end of the spring into the hole in the latch lock lever. Use the spring puller tool to hook the **long** end of the spring into the square hole in the tongue. The spring puller tool can be stored when finished. See figure 12.

IMPORTANT: Make sure the tongue is securely locked to the latch stand bracket by the latch lock lever.

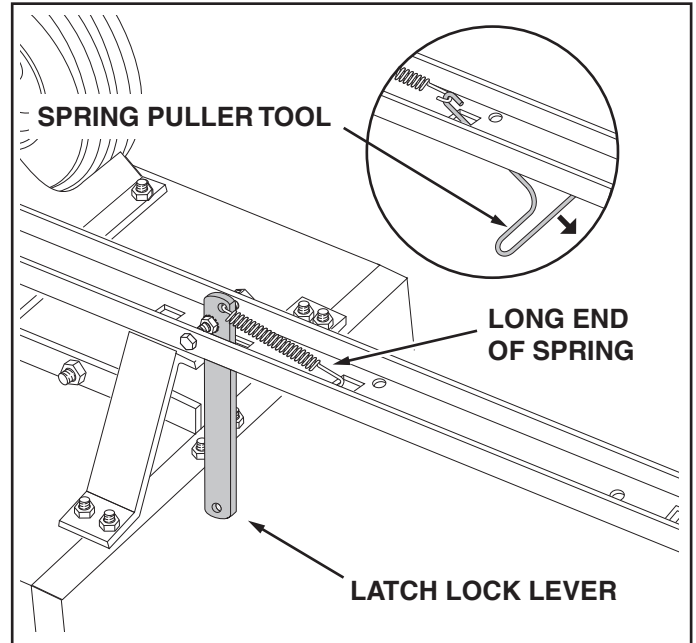


FIGURE 12

- Turn cart over so that it rests right side up on its wheels.
- Assemble the end of the hitch bracket that has two same size holes to the drawbar tongue using two 3/8" x 1" hex bolts and 3/8" nylock nuts. **Tighten**. See figure 13.
- Assemble the hitch pin through the hitch bracket and the tongue and secure with the 1/8" hair cotter pin. See figure 13.

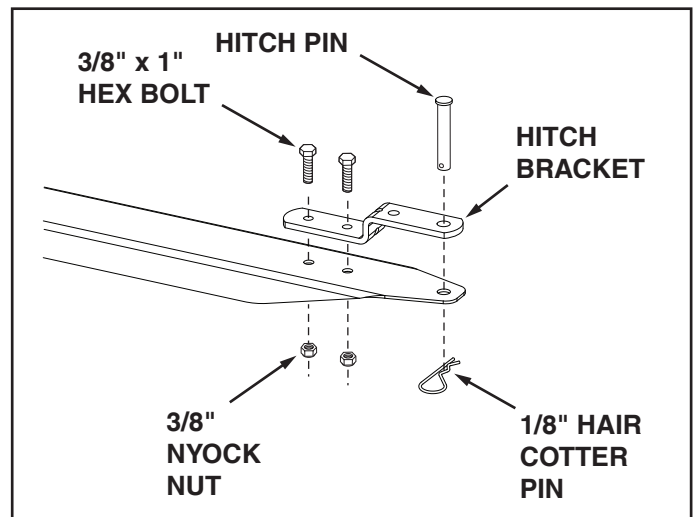


FIGURE 13

OPERATION



CAUTION: Vehicle braking and stability may be affected with the addition of an accessory or an attachment. Be aware of changing conditions on slopes.



CAUTION: To avoid possible injury, before releasing the latch be sure that no one is near the cart.

- Refer to the vehicle owners manual for instructions about safe operation on slopes.
- Use the slope guide provided on page 11 of this manual to determine if slope angle is too steep for safe operation.
- For best handling and traction, distribute the weight of the load evenly in the cart.
- Always test to make sure your tractor has adequate towing and braking capabilities when hauling a substantial amount of weight in your cart. Use extra caution when operating on slopes.

- To dump material from the cart, remove the tailgate by lifting it straight up and out from between the guides. Release the spring latch on the tongue by pulling the latch lock lever forward, away from the cart. The cart bed will then tilt backwards to empty its contents. After emptying, pull the front of the bed down toward the cart tongue until the latch snaps into place. Replace the tailgate if desired.
- The maximum towing speed for this cart is 10 m.p.h.



IMPORTANT!

DO NOT EXCEED 750 LB. WEIGHT CAPACITY OF CART
One cubic foot of dirt weighs approximately 80 lbs.

MAINTENANCE

CUSTOMER RESPONSIBILITIES

- Read and follow the maintenance schedule and the maintenance procedures listed in this section.

MAINTENANCE SCHEDULE Fill in dates as you complete regular service.	Service Dates												
	Before each use	After each use	Every season	Before storage									
Check for loose fasteners	X												
Check Tire Pressure	X												
Lubrication		X											
Cleaning		X	X										

CHECK FOR LOOSE FASTENERS

- Before each use make a thorough visual check of the plug aerator for any bolts and nuts which may have loosened. Retighten any loose bolts and nuts.

CHECK TIRE PRESSURE

- Keep tires filled to the recommended tire pressure printed on the tire.

LUBRICATION

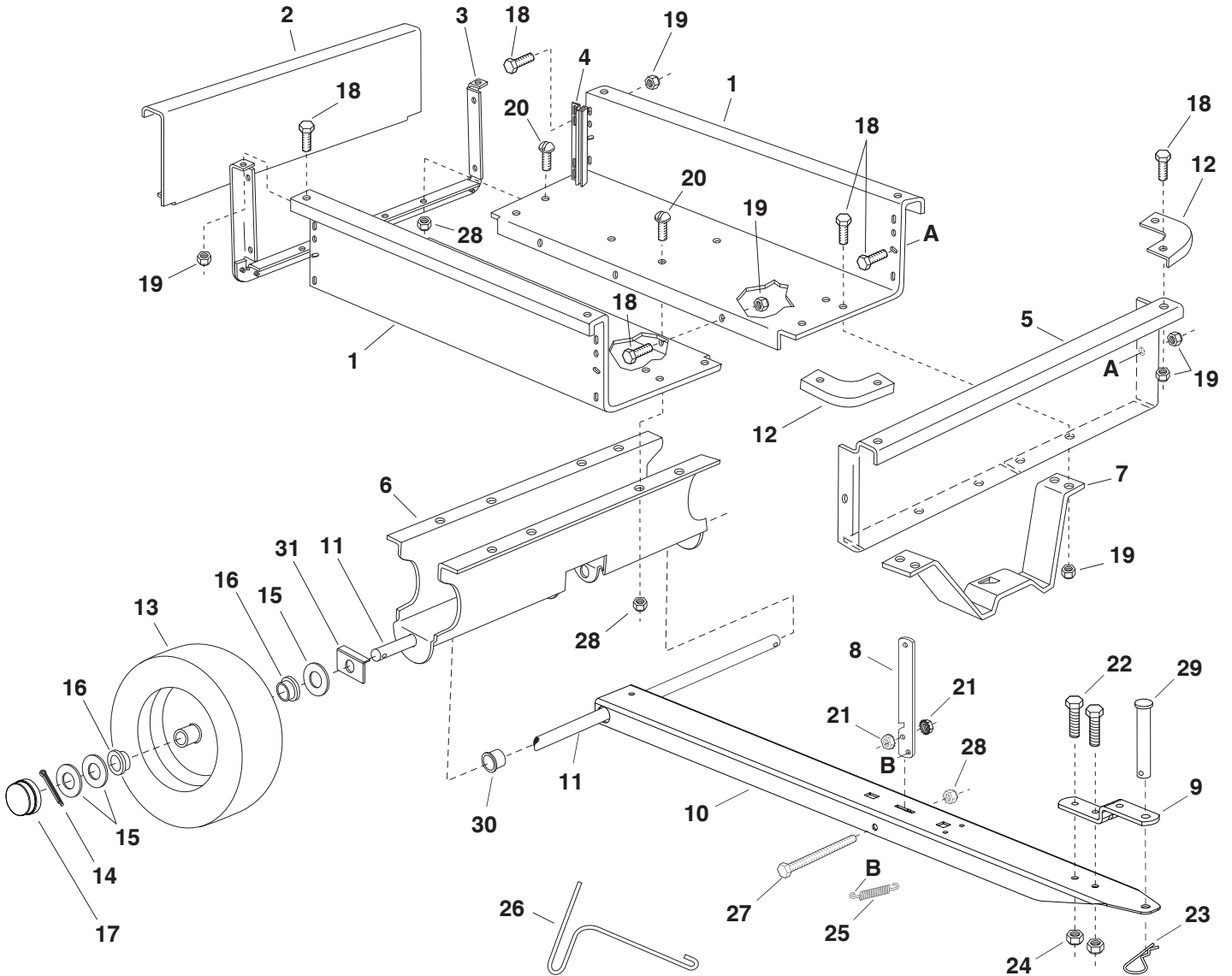
- At the beginning of each season, lubricate, with a light machine oil, the latch, the latch pivot bolt, and the area of the axle where the draw bar tongue pivots.
- Grease or oil the wheel bearings periodically. Use automotive wheel bearing type grease or 20 weight oil.

CLEANING AND STORAGE

- Clean dirt and debris off cart after each use.
- Store in a dry area. Cover exposed metal with a light coat of oil

PARTS

REPAIR PARTS FOR 12 CU. FT. STEEL CART - MODEL 486.24355

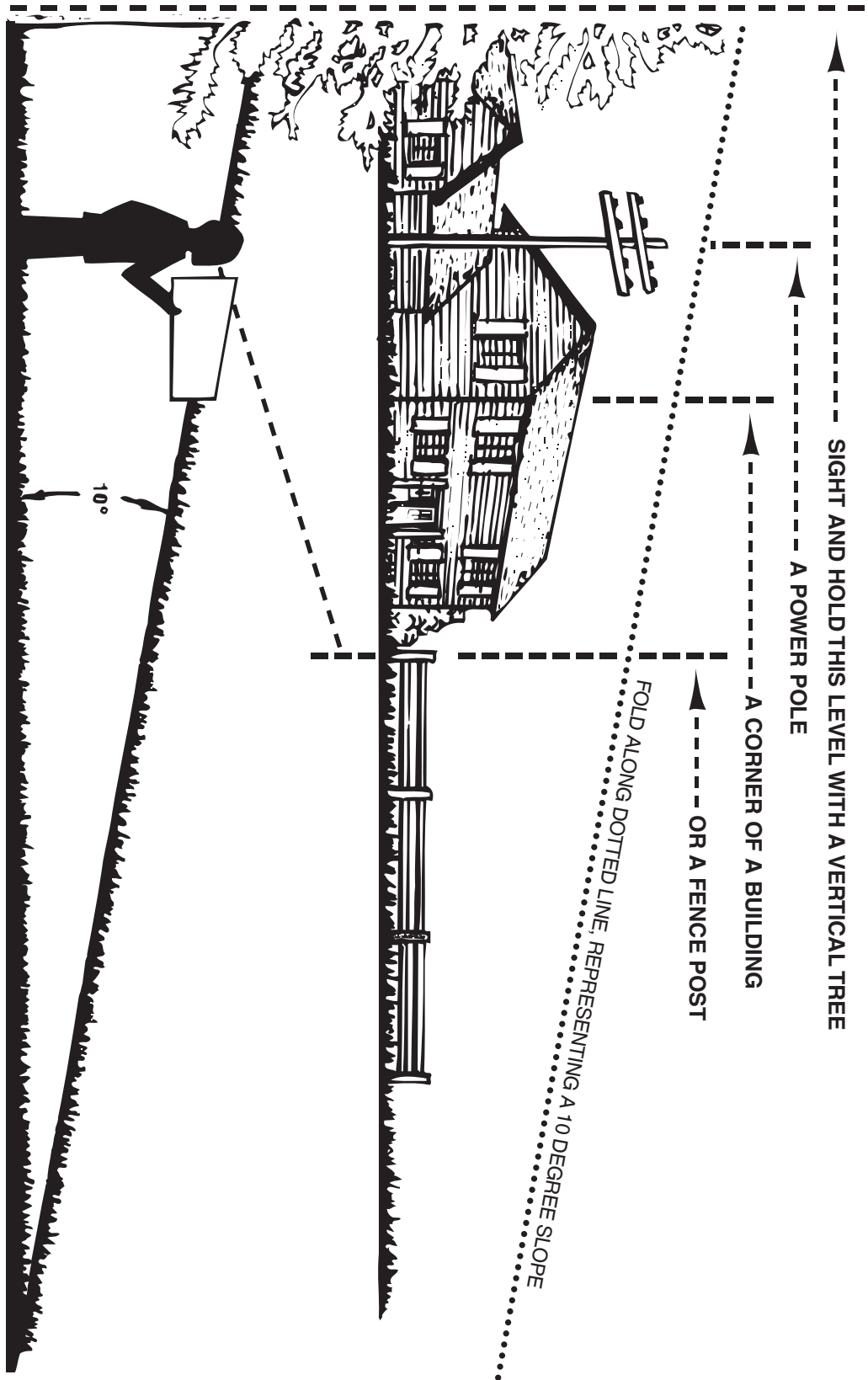


REF NO.	QTY.	PART NO.	DESCRIPTION	REF NO.	QTY.	PART NO.	DESCRIPTION
1	2	23985	Cart Body	17	2	43014	Hub Cap
2	1	23502	Tailgate	18	21	43866	1/4-20 x 5/8" Hex Bolt
3	1	62458	Tailgate Reinforcement Bracket	19	21	47189	1/4-20 Nylock Nut
4	2	23548	Tailgate Guide	20	12	43814	5/16-18 x 3/4" Truss Hd Bolt
5	1	23492	Front Panel	21	2	46980	5/16-18 Hex Nut (SEMS)
6	1	25996	Wheel Support	22	2	43001	3/8-16 x 1" Hex Bolt
7	1	24497	Latch Stand Bracket	23	1	43343	1/8" Hair Cotter pin
8	1	24498	Latch Lock Lever	24	2	HA21362	3/8-16 Nylock Nut
9	1	23687	Hitch Bracket	25	1	47408	Extension Spring
10	1	27716	Tongue	26	1	47622	Spring Puller Tool
11	1	24896	Axle, 3/4" Dia	27	1	47407	5/16-18 x 4" Hex Bolt
12	2	23484	Front Corner Cap	28	13	47810	5/16-18 Nylock Nut
13	2	43008	Wheel 16/4.00 x 8.00	29	1	HA23638	Clevis Pin
14	2	43010	1/8" dia x 1" Cotter Pin	30	2	44798	Flanged Bearing
15	6	43009	3/4" Flat Washer	31	2	25912	Axle Clip
16	4	44264	Wheel Bearing		1	41759	Owners Manual

SLOPE GUIDE

(Keep this sheet in a safe place for future reference.)

Use this guide to determine if a slope is safe for the operation of your tractor and cart. Refer also to the instructions in your vehicle owners manual.




CAUTION: DO NOT OPERATE YOUR TRACTOR AND CART ON A SLOPE IN EXCESS OF 10 DEGREES. BE SURE OF YOUR TRACTOR'S TOWING AND BRAKING CAPABILITIES BEFORE OPERATING ON A SLOPE. AVOID ANY SUDDEN TURNS OR MANEUVERS WHILE ON A SLOPE.

CRAFTSMAN®

Product questions or problems?

1-888-331-4569

Customer Care Hot Line

**Get answers to questions, troubleshoot problems,
order parts, or schedule repair service.**

Para respuestas a preguntas o problemas, y ordenar
piezas o pedir servicio para la reparación de su equipo.

To help us help you, register your product at www.craftsman.com/registration

Para poderte ayudar mejor, registra tu producto en www.craftsman.com/registration

Join the Craftsman Club today!

CRAFTSMAN® CLUB

www.craftsman.com/signup

**Receive exclusive member benefits including special pricing and offers,
project sharing, expert advice, and SHOP YOUR WAY REWARDS!**

Como miembro exclusivo, recibe diversos beneficios como ofertas, precios especiales, proyectos nuevos, consejos de expertos y nuestro programa de puntos SHOP YOUR WAY REWARDS!