

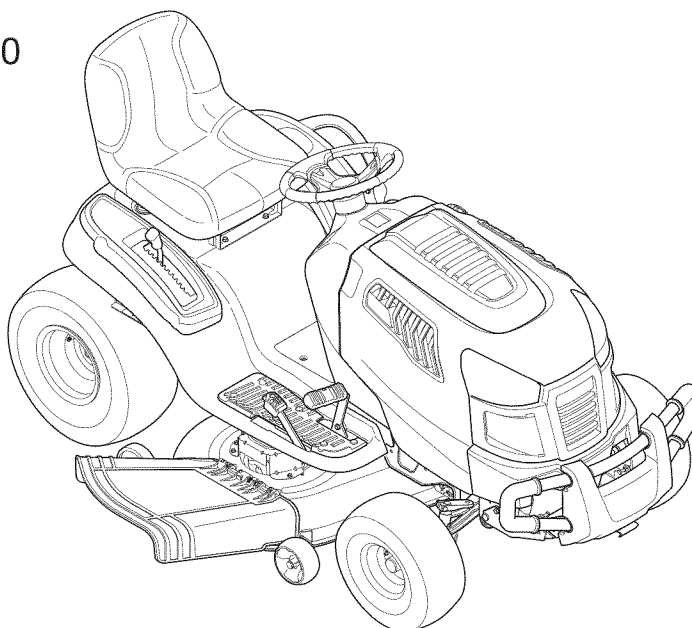
# Operator's Manual



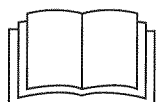
**LAWN TRACTOR**  
**24 HP, 42" Tractor**  
**Electric Start**

**PYT9000**

Model No. 247.28980



- Español, p. 62



This product has a low emission engine which operates differently from previously built engines. Before you start the engine, read and understand this Operator's Manual.

**IMPORTANT:**  
Read and follow all Safety  
Rules and Instructions before  
operating this equipment.

For answers to your questions about  
this product, Call:

**1-800-659-5917**

**Craftsman Tractor Help Line**

5am - 5 pm, Mon - Sat

**Sears Brands Management Corp., Hoffman Estates, IL 60179 U.S.A.**

Visit our website: [www.craftsman.com](http://www.craftsman.com)

Form No. 769-05593  
(January 27, 2010)

# TABLE OF CONTENTS

Warranty Statement .....	2	Service and Maintenance .....	19
Safety Instructions .....	3	Off-Season Storage .....	30
Safety Labels .....	9	Troubleshooting .....	31
Assembly.....	10	Parts List .....	34
Know your Lawn Mower.....	13	Español.....	62
Operation .....	16	Service Numbers .....	Back Cover

# WARRANTY STATEMENT

## CRAFTSMAN PROFESSIONAL FULL WARRANTY

When operated and maintained according to all supplied instructions, if any non-expendable part of this riding equipment fails due to a defect in material or workmanship within two years from the date of purchase, call 1-800-659-5917 to arrange for free in-home repair.

The frame and front axle will be repaired free of charge for five years from the date of purchase if defective in material or workmanship.

All of the above warranty coverage applies for only one year from the date of purchase if this riding equipment is ever used for commercial or rental purposes.

In all cases, if repair proves impossible, the riding equipment will be replaced free of charge with the same or an equivalent model.

The battery will be replaced free of charge for 90 days from the date of purchase if defective in material or workmanship (our testing proves that it will not hold a charge).

This warranty covers ONLY defects in material and workmanship. Sears will NOT pay for:

- Expendable items that become worn during normal use, including but not limited to blades, spark plugs, air cleaners, belts, and oil filters.
- Standard maintenance servicing, oil changes, or tune-ups.
- Tire replacement or repair caused by punctures from outside objects, such as nails, thorns, stumps, or glass.
- Tire or wheel replacement or repair resulting from normal wear, accident, or improper operation or maintenance.
- Repairs necessary because of operator abuse, including but not limited to damage caused by towing objects beyond the capability of the riding equipment, impacting objects that bend the frame or crankshaft, or over-speeding the engine.
- Repairs necessary because of operator negligence, including but not limited to, electrical and mechanical damage caused by improper storage, failure to use the proper grade and amount of engine oil, failure to keep the deck clear of flammable debris, or failure to maintain the riding equipment according to the instructions contained in the operator's manual.
- Engine (fuel system) cleaning or repairs caused by fuel determined to be contaminated or oxidized (stale). In general, fuel should be used within 30 days of its purchase date.
- Normal deterioration and wear of the exterior finishes, or product label replacement.

This warranty applies only while this product is within the United States.

This warranty gives you specific legal rights, and you may also have other rights which vary from state to state.

**Sears, Roebuck and Co., Hoffman Estates, IL 60179**

## PRODUCT SPECIFICATIONS

Gross HP:	24
Engine Oil:	SAE 30
Fuel:	Unleaded Gasoline
Spark Plug:	Champion® RC12YC
Engine:	Briggs & Stratton Professional Series

## MODEL NUMBER

Model Number \_\_\_\_\_  
Serial Number \_\_\_\_\_  
Date of Purchase \_\_\_\_\_

Record the model number, serial number,  
and date of purchase above.

# SAFETY INSTRUCTIONS

## WARNING

This symbol points out important safety instructions which, if not followed, could endanger the personal safety and/or property of yourself and others. Read and follow all instructions in this manual before attempting to operate this machine. Failure to comply with these instructions may result in personal injury. When you see this symbol, HEED ITS WARNING!

## WARNING

### CALIFORNIA PROPOSITION 65

Engine Exhaust, some of its constituents, and certain vehicle components contain or emit chemicals known to State of California to cause cancer and birth defects or other reproductive harm. Battery posts, terminals, and related accessories contain lead and lead compounds, chemicals known to the State of California to cause cancer and reproductive harm. Wash hands after handling.

## DANGER

This machine was built to be operated according to the safe operation practices in this manual. As with any type of power equipment, carelessness or error on the part of the operator can result in serious injury. This machine is capable of amputating fingers, hands, toes and feet and throwing debris. Failure to observe the following safety instructions could result in serious injury or death.

## WARNING

**Your Responsibility**—Restrict the use of this power machine to persons who read, understand and follow the warnings and instructions in this manual and on the machine.

**SAVE THESE INSTRUCTIONS!**

## GENERAL OPERATION

- Read, understand, and follow all instructions on the machine and in the manual(s) before attempting to assemble and operate. Keep this manual in a safe place for future and regular reference and for ordering replacement parts.
- Be familiar with all controls and their proper operation. Know how to stop the machine and disengage them quickly.
- Never allow children under 14 years old to operate this machine. Children 14 years old and over should read and understand the operation instructions and safety rules in this manual and should be trained and supervised by a parent.
- Never allow adults to operate this machine without proper instruction.
- To help avoid blade contact or a thrown object injury, keep bystanders, helpers, children and pets at least 75 feet from the machine while it is in operation. Stop machine if anyone enters the area.
- Thoroughly inspect the area where the equipment is to be used. Remove all stones, sticks, wire, bones, toys, and other foreign objects which could be picked up and thrown by the blade(s). Thrown objects can cause serious personal injury.
- Plan your mowing pattern to avoid discharge of material toward roads, sidewalks, bystanders and the like. Also, avoid discharging material against a wall or obstruction which may cause discharged material to ricochet back toward the operator.
- Always wear safety glasses or safety goggles during operation and while performing an adjustment or repair to protect your eyes. Thrown objects which ricochet can cause serious injury to the eyes.
- Wear sturdy, rough-soled work shoes and close-fitting slacks and shirts. Loose fitting clothes and jewelry can be caught in movable parts. Never operate this machine in bare feet or sandals.
- Be aware of the mower and attachment discharge direction and do not point it at anyone. Do not operate the mower without the discharge cover or entire grass catcher in its proper place.
- Do not put hands or feet near rotating parts or under the cutting deck. Contact with the blade(s) can amputate hands and feet.
- A missing or damaged discharge cover can cause blade contact or thrown object injuries.
- Stop the blade(s) when crossing gravel drives, walks, or roads and while not cutting grass.
- Watch for traffic when operating near or crossing roadways. This machine is not intended for use on any public roadway.
- Do not operate the machine while under the influence of alcohol or drugs.
- Mow only in daylight or good artificial light.
- Never carry passengers.
- Disengage blade(s) before shifting into reverse. Back up slowly. Always look down and behind before and while backing to avoid a back-over accident.

# SAFETY INSTRUCTIONS

- Slow down before turning. Operate the machine smoothly. Avoid erratic operation and excessive speed.
- Disengage blade(s), set parking brake, stop engine and wait until the blade(s) come to a complete stop before removing grass catcher, emptying grass, unclogging chute, removing any grass or debris, or making any adjustments.
- Never leave a running machine unattended. Always turn off blade(s), set parking brake, stop engine and remove key before dismounting.
- Use extra care when loading or unloading the machine into a trailer or truck. This machine should not be driven up or down ramp(s), because the machine could tip over, causing serious personal injury. The machine must be pushed manually on ramp(s) to load or unload properly.
- Muffler and engine become hot and can cause a burn. Do not touch.
- Check overhead clearances carefully before driving under low hanging tree branches, wires, door openings etc., where the operator may be struck or pulled from the machine, which could result in serious injury.
- Disengage all attachment clutches and depress the brake pedal completely before attempting to start engine.
- Your machine is designed to cut normal residential grass of a height no more than 10". Do not attempt to mow through unusually tall, dry grass (e.g., pasture) or piles of dry leaves. Dry grass or leaves may contact the engine exhaust and/or build up on the mower deck presenting a potential fire hazard.
- Use only accessories and attachments approved for this machine by the machine manufacturer. Read, understand and follow all instructions provided with the approved accessory or attachment. For a list of approved accessories and attachments, call 1-800-659-5917.
- Data indicates that operators, age 60 years and above, are involved in a large percentage of riding mower-related injuries. These operators should evaluate their ability to operate the riding mower safely enough to protect themselves and others from serious injury.
- If situations occur which are not covered in this manual, use care and good judgment. Contact 1-800-659-5917 for information and assistance.

## SLOPE OPERATION

Slopes are a major factor related to loss of control and tip-over accidents which can result in severe injury or death. All slopes require extra caution. If you cannot back up the slope or if you feel uneasy on it, do not mow it.

For your safety, use the Slope Guide included as part of this manual to measure slopes before operating this machine on a sloped or hilly area. If the slope is greater than 15 degrees as shown on the Slope Guide, do not operate this machine on that area or serious injury could result.

### Do:

- Mow up and down slopes, not across. Exercise extreme caution when changing direction on slopes.
- Watch for holes, ruts, bumps, rocks, or other hidden objects. Uneven terrain could overturn the machine. Tall grass can hide obstacles.
- Use slow speed. Choose a low enough speed setting so that you will not have to stop or shift while on the slope. Tires may lose traction on slopes even though the brakes are functioning properly. Always keep machine in gear when going down slopes to take advantage of engine braking action.
- Follow the manufacturer's recommendations for wheel weights or counterweights to improve stability. For recommendations, call 1-800-659-5917.
- Use extra care with grass catchers or other attachments. These can change the stability of the machine.
- Keep all movement on the slopes slow and gradual. Do not make sudden changes in speed or direction. Rapid engagement or braking could cause the front of the machine to lift and rapidly flip over backwards which could cause serious injury.
- Avoid starting or stopping on a slope. If tires lose traction, disengage the blade(s) and proceed slowly straight down the slope.

### Do Not:

- Do not turn on slopes unless necessary; then, turn slowly and gradually downhill, if possible.
- Do not mow near drop-offs, ditches or embankments. The mower could suddenly turn over if a wheel is over the edge of a cliff, ditch, or if an edge caves in.
- Do not try to stabilize the machine by putting your foot on the ground.
- Do not use a grass catcher on steep slopes.
- Do not mow on wet grass. Reduced traction could cause sliding.
- Do not attempt to coast downhill. Over-speeding may cause the operator to lose control of the machine resulting in serious injury or death.
- Do not tow heavy pull behind attachments (e.g. loaded dump cart, lawn roller, etc.) on slopes greater than 5 degrees. When going down hill, the extra weight tends to push the tractor and may cause you to lose control. (e.g. tractor may speed up, braking and steering ability are reduced, attachment may jack-knife and cause tractor to overturn).

# SAFETY INSTRUCTIONS

## CHILDREN

Tragic accidents can occur if the operator is not alert to the presence of children. Children are often attracted to the machine and the mowing activity. They do not understand the dangers. Never assume that children will remain where you last saw them.

- Keep children out of the mowing area and in watchful care of a responsible adult other than the operator.
- Be alert and turn machine off if a child enters the area.
- Before and while backing, look behind and down for small children.
- Never carry children, even with the blade(s) shut off. They may fall off and be seriously injured or interfere with safe machine operation.
- Use extreme care when approaching blind corners, doorways, shrubs, trees or other objects that may block your vision of a child who may run into the machine.
- To avoid back-over accidents, always disengage the cutting blade(s) before shifting into Reverse. If equipped, the "Reverse Caution Mode" (blades operate while machine rides in reverse) should not be used when children or others are around.
- Keep children away from hot or running engines. They can suffer burns from a hot muffler.
- Remove key when machine is unattended to prevent unauthorized operation.

Never allow children under 14 years of age to operate this machine. Children 14 and over should read and understand the instructions and safe operation practices in this manual and on the machine and should be trained and supervised by an adult.

## TOWING

- Tow only with a machine that has a hitch designed for towing. Do not attach towed equipment except at the hitch point.
- Follow the manufacturers recommendation for weight limits for towed equipment and towing on slopes. For recommendations, call 1-800-659-5917.
- Never allow children or others in or on towed equipment.
- On slopes, the weight of the towed equipment may cause loss of traction and loss of control.
- Always use extra caution when towing with a machine capable of making tight turns (e.g. "zero-turn" ride-on mower). Make wide turns to avoid jack-knifing.
- Travel slowly and allow extra distance to stop.
- Do not coast downhill.

## SERVICE

### Safe Handling of Gasoline

To avoid personal injury or property damage use extreme care in handling gasoline. Gasoline is extremely flammable and the vapors are explosive. Serious personal injury can occur when gasoline is spilled on yourself or your clothes which can ignite. Wash your skin and change clothes immediately.

- Use only an approved gasoline container.
- Never fill containers inside a vehicle or on a truck or trailer bed with a plastic liner. Always place containers on the ground away from your vehicle before filling.
- When practical, remove gas-powered equipment from the truck or trailer and refuel it on the ground. If this is not possible, then refuel such equipment on a trailer with a portable container, rather than from a gasoline dispenser nozzle.
- Keep the nozzle in contact with the rim of the fuel tank or container opening at all times until fueling is complete. Do not use a nozzle lock-open device.
- Extinguish all cigarettes, cigars, pipes and other sources of ignition.
- Never fuel machine indoors.
- Never remove gas cap or add fuel while the engine is hot or running. Allow engine to cool at least two minutes before refueling.
- Never over fill fuel tank. Fill tank to no more than ½ inch below bottom of filler neck to allow space for fuel expansion.
- Replace gasoline cap and tighten securely.
- If gasoline is spilled, wipe it off the engine and equipment. Move machine to another area. Wait 5 minutes before starting the engine.
- To reduce fire hazards, keep machine free of grass, leaves, or other debris build-up. Clean up oil or fuel spillage and remove any fuel soaked debris.
- Never store the machine or fuel container inside where there is an open flame, spark or pilot light as on a water heater, space heater, furnace, clothes dryer or other gas appliances.
- Allow a machine to cool at least five minutes before storing.

# SAFETY INSTRUCTIONS

## General Service

- Never run an engine indoors or in a poorly ventilated area. Engine exhaust contains carbon monoxide, an odorless, and deadly gas.
- Before cleaning, repairing, or inspecting, make certain the blade(s) and all moving parts have stopped. Disconnect the spark plug wire and ground against the engine to prevent unintended starting.
- Periodically check to make sure the blades come to complete stop within approximately (5) five seconds after operating the blade disengagement control. If the blades do not stop within the this time frame, your machine should be serviced professionally by a Sears or other qualified service dealer .
- Check brake operation frequently as it is subjected to wear during normal operation. Adjust and service as required.
- Check the blade(s) and engine mounting bolts at frequent intervals for proper tightness. Also, visually inspect blade(s) for damage (e.g., excessive wear, bent, cracked). Replace the blade(s) with the original equipment manufacturer's (O.E.M.) blade(s) only, listed in this manual. Use of parts which do not meet the original equipment specifications may lead to improper performance and compromise safety!
- Mower blades are sharp. Wrap the blade or wear gloves, and use extra caution when servicing them.
- Keep all nuts, bolts, and screws tight to be sure the equipment is in safe working condition.
- Never tamper with the safety interlock system or other safety devices. Check their proper operation regularly.
- After striking a foreign object, stop the engine, disconnect the spark plug wire(s) and ground against the engine. Thoroughly inspect the machine for any damage. Repair the damage before starting and operating.
- Never attempt to make adjustments or repairs to the machine while the engine is running.
- Grass catcher components and the discharge cover are subject to wear and damage which could expose moving parts or allow objects to be thrown. For safety protection, frequently check components and replace immediately with original equipment manufacturer's (O.E.M.) parts only, listed in this manual. Use of parts which do not meet the original equipment specifications may lead to improper performance and compromise safety!

- Do not change the engine governor settings or over-speed the engine. The governor controls the maximum safe operating speed of the engine.
- Maintain or replace safety and instruction labels, as necessary.
- Observe proper disposal laws and regulations for gas, oil, etc. to protect the environment.
- According to the Consumer Products Safety Commission (CPSC) and the U.S. Environmental Protection Agency (EPA), this product has an Average Useful Life of seven (7) years, or 270 hours of operation. At the end of the Average Useful Life, buy a new machine or have the machine inspected annually by a Sears or other qualified service dealer to ensure that all mechanical and safety systems are working properly and not worn excessively. Failure to do so can result in accidents, injuries or death.

## DO NOT MODIFY ENGINE

To avoid serious injury or death, do not modify engine in any way. Tampering with the governor setting can lead to a runaway engine and cause it to operate at unsafe speeds. Never tamper with factory setting of engine governor.

## NOTICE REGARDING EMISSIONS

Engines which are certified to comply with California and federal EPA emission regulations for SORE (Small Off Road Equipment) are certified to operate on regular unleaded gasoline, and may include the following emission control systems: Engine Modification (EM) and Three Way Catalyst (TWC) if so equipped.

## SPARK ARRESTOR

### WARNING

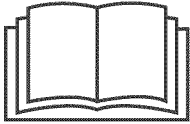









This machine is equipped with an internal combustion engine and should not be used on or near any unimproved forest-covered, brushcovered or grass-covered land unless the engine's exhaust system is equipped with a spark arrester meeting applicable local or state laws (if any).

If a spark arrester is used, it should be maintained in effective working order by the operator. In the State of California the above is required by law (Section 4442 of the California Public Resources Code). Other states may have similar laws. Federal laws apply on federal lands. A spark arrester for the muffler is available through your nearest Sears Parts and Repair Service Center.

# SAFETY INSTRUCTIONS

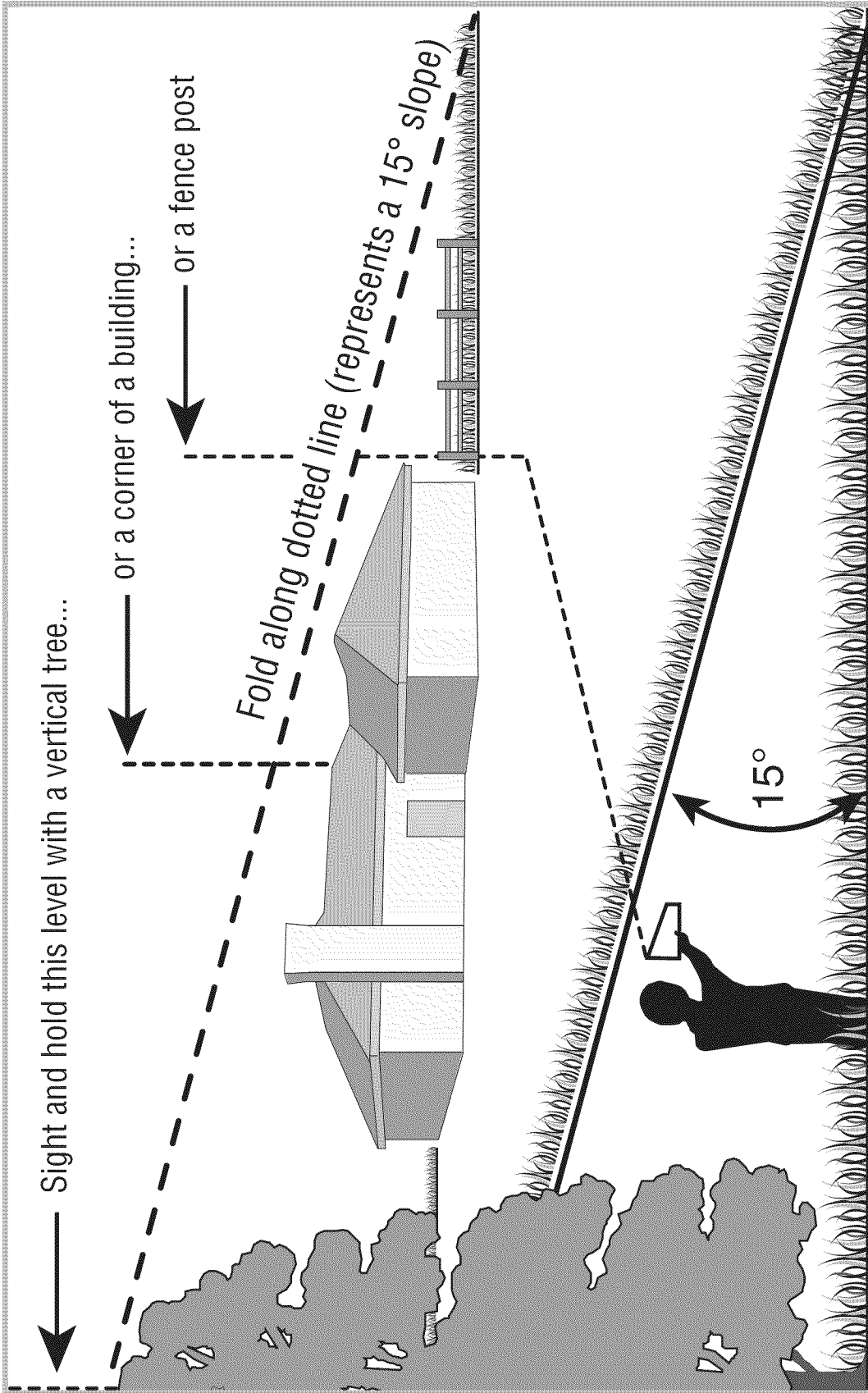
## SAFETY SYMBOLS

This page depicts and describes safety symbols that may appear on this product. Read, understand, and follow all instructions on the machine before attempting to assemble and operate.

Symbol	Description
	<b>READ THE OPERATOR'S MANUAL(S)</b> Read, understand, and follow all instructions in the manual(s) before attempting to assemble and operate.
	<b>DANGER— ROTATING BLADES</b> Never carry passengers. Never carry children, even with the blades off.
	<b>DANGER— ROTATING BLADES</b> Always look down and behind before and while backing to avoid a back-over accident.
	<b>WARNING— ROTATING BLADES</b> Do not put hands or feet near rotating parts or under the cutting deck. Contact with the blade(s) can amputate hands and feet.
	<b>WARNING—THROWN OBJECTS</b> This machine may pick up and throw objects which can cause serious personal injury.
	<b>WARNING—THROWN OBJECTS</b> This machine may pick up and throw objects which can cause serious personal injury.
	<b>BYSTANDERS</b> Keep bystanders, helpers, children and pets at least 75 feet from the machine while it is in operation.
	<b>WARNING— SLOPE OPERATION</b> Do not operate this machine on a slope greater than 15 degrees.
	<b>WARNING— HOT SURFACE</b> Engine parts, especially the muffler, become extremely hot during operation. Allow engine and muffler to cool before touching.
	<b>DANGER — ROTATING BLADES</b> To reduce the risk of injury, keep hands and feet away. Do not operate unless discharge cover or grass catcher is in its proper place. If damaged, replace immediately.

# SAFETY INSTRUCTIONS

## SLOPE GUIDE



### WARNING

**Use this page as a guide to determine slopes where you may not operate safely.**

Do not operate your lawn mower on such slopes. Do not mow on inclines with a slope in excess of 15 degrees (a rise of approximately 2-1/2 feet every 10 feet). A riding mower could overturn and cause serious injury. Operate riding mowers up and down slopes, never across the face of slopes.



# SAFETY LABELS

**⚠ DANGER**

**AVOID SERIOUS INJURY OR DEATH**

- KEEP HANDS AND FEET AWAY FROM ROTATING PARTS
- REMOVE OBJECTS THAT CAN BE THROWN BY THE BLADE IN ANY DIRECTION. WEAR SAFETY GLASSES.
- DO NOT MOW WHEN CHILDREN OR OTHERS ARE AROUND. NEVER CARRY CHILDREN EVEN WITH BLADES OFF.
- USE EXTRA CAUTION ON SLOPES. DO NOT MOW SLOPES GREATER THAN 15°. MOW UP AND DOWN, NOT ACROSS. AVOID SUDDEN TURNS. USE LOW SPEED.

S30018 MAX 15

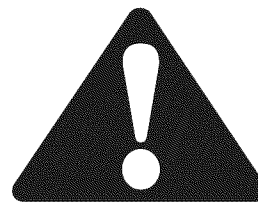
READ OPERATOR'S MANUAL. KEEP SAFETY DEVICES IN PLACE AND WORKING.

**⚠ DANGER**

**KEEP HANDS AND FEET AWAY. DO NOT OPERATE MOWER UNLESS CHUTE DEFLECTOR OR ENTIRE GRASS CATCHER IS IN ITS PROPER PLACE.**

S30503

**ASSEMBLE CHUTE DEFLECTOR TO THIS UNIT BEFORE OPERATING.**



## WARNING

This symbol points out important safety instructions which, if not followed, could endanger the personal safety and/or property of yourself and others. Read and follow all instructions in this manual before attempting to operate this machine. Failure to comply with these instructions may result in personal injury. When you see this symbol **HEED ITS WARNING!**

### Your Responsibility

Restrict the use of this power machine to persons who read, understand, and follow the warnings and instructions in this manual and on the machine.

**⚠ DANGER**

**ROTATING BLADES CAUSE SERIOUS INJURY OR DEATH**

- DO NOT MOW WHEN CHILDREN OR OTHERS ARE AROUND.
- NEVER CARRY CHILDREN EVEN WITH BLADE(S) OFF.
- LOOK DOWN AND BEHIND BEFORE AND WHILE BACKING.
- MOWING IN REVERSE IS NOT RECOMMENDED.

**⚠ WARNING**

**TO AVOID SERIOUS INJURY OR DEATH**

- GO UP AND DOWN SLOPES, NOT ACROSS.
- AVOID SUDDEN TURNS.
- DO NOT OPERATE THE UNIT WHERE IT COULD SLIP OR TIP.
- IF MACHINE STOPS GOING UPHILL, STOP BLADE(S) AND BACK DOWNHILL SLOWLY.
- KEEP SAFETY DEVICES (GUARDS, SHIELDS, AND SWITCHES, ETC.) IN PLACE AND WORKING.
- REMOVE OBJECTS THAT COULD BE THROWN BY THE BLADE(S).
- KNOW LOCATION AND FUNCTION OF ALL CONTROLS.
- BE SURE BLADE(S) AND ENGINE ARE STOPPED BEFORE PLACING HANDS OR FEET NEAR BLADE(S).
- BEFORE LEAVING OPERATOR'S POSITION, DISENGAGE BLADE(S), ENGAGE PARKING BRAKE, SHUT OFF AND REMOVE KEY.

**⚠ WARNING**

Operation Of This Equipment May Create Sparks That Can Start Fires Around Dry Vegetation. A Spark Arrestor May Be Required. The Operator Should Contact Local Fire Agencies For Laws Or Regulations To Fire Prevention Requirements.

**TO START**

1. DISENGAGE BLADES/PTO, (POWER TAKE OFF)
2. ENGAGE THE TRACTOR'S PARKING BRAKE.
3. ACTIVATE THE CHOKE CONTROL.
4. TURN KEY TO START ENGINE. AFTER START RELEASE KEY & DEACTIVATE CHOKE BY PLACING THROTTLE TO FAST "RABBIT" POSITION.

**OPERATING MODES**

**NORMAL MOWING**

YOU MUST DISENGAGE BLADES/PTO, (POWER TAKE OFF) BEFORE TRAVELING IN REVERSE.

**REVERSE CAUTION MODE**

1. TURN KEY TO REVERSE CAUTION MODE POSITION.
2. DEPRESS REVERSE PUSH BUTTON, (RED INDICATOR LIGHT "ON") WHEN RED LIGHT IS "ON" MACHINE CAN BE OPERATED IN REVERSE WITH MOWER BLADES ENGAGED. IMPORTANT: MOWING IN REVERSE IS NOT RECOMMENDED.
3. AFTER RESUMING FORWARD OPERATION, RETURN KEY TO "NORMAL MOWING" POSITION.

NOTE: IN BOTH MODES, WHEN OPERATOR LEAVES SEAT, ENGINE WILL STOP UNLESS PARKING BRAKE IS SET AND BLADES ARE DISENGAGED.

**CRUISE CONTROL**

DEPRESS SPEED CONTROL PEDAL TO DESIRED SPEED. PUSH CRUISE CONTROL LEVER DOWN AND RELEASE PEDAL. PRESS BRAKE OR SPEED CONTROL TO RELEASE

**PARKING BRAKE**

DEPRESS BRAKE PEDAL, PUSH PARKING BRAKE LEVER DOWN AND RELEASE PEDAL TO LOCK

**TRACTOR QUESTIONS OR PROBLEMS?**

CALL OUR CRAFTSMAN HELP LINE

**800-659-5917**

CRAFTSMAN.COM

# ASSEMBLY

## TRACTOR SET-UP

### Moving The Tractor Manually

Your tractor's transmission is equipped with a hydrostatic relief valve for occasions when it is necessary to move the tractor manually. Opening this valve permits the fluid in the transmission to bypass its normal route, allowing the rear tires to "freewheel." To open the hydrostatic relief valve, proceed as follows:

1. Locate the hydrostatic bypass rod in the rear of the tractor. See Figure 1.

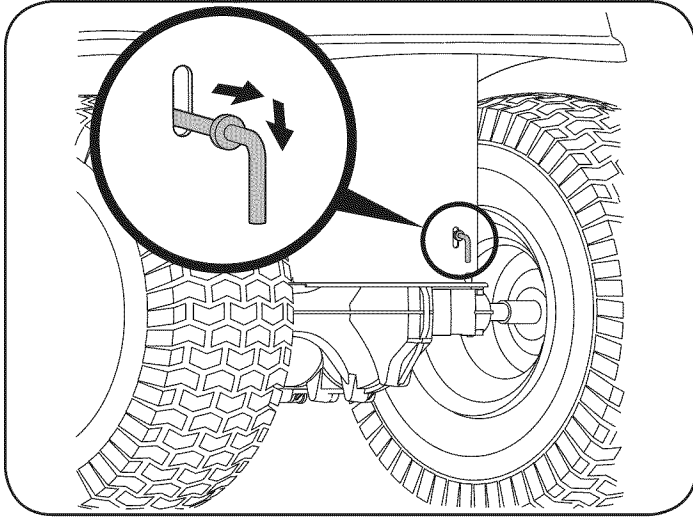


Figure 1

2. Pull the hydrostatic bypass rod outward, then down, to lock it in place.

**NOTE:** The transmission will NOT engage when the hydrostatic bypass rod is pulled out. Return the rod to its normal position prior to operating the tractor.

### **⚠ CAUTION**

Never attempt to move the tractor manually without first opening the hydrostatic relief valve. Doing so will result in serious damage to the tractor's transmission.

## Shipping Brace Removal

### **⚠ WARNING**

Make sure the lawn tractor's engine is off, set the parking brake and remove the ignition key before removing the shipping brace.

1. Locate the shipping brace, if present, and warning tag found on the right side of the cutting deck. See Figure 2.

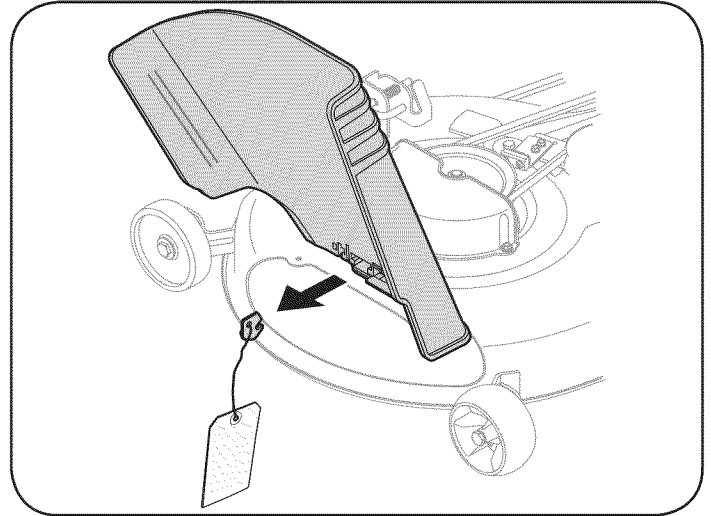


Figure 2

2. While holding the discharge chute cover with your left hand, remove the shipping brace with your right hand by grasping it between your thumb and index finger and rotating it clockwise.

### **⚠ WARNING**

The shipping brace is used for packaging purposes only. Remove and discard the shipping brace before operating your lawn tractor.

### **⚠ WARNING**

The mowing deck is capable of throwing objects. Operating the riding mower without the discharge cover in the proper operating position could result in serious personal injury and/or property damage.

# ASSEMBLY

## CONNECTING THE BATTERY CABLES

### ⚠ WARNING

Battery posts, terminals, and related accessories contain lead and lead compounds, chemicals known to the State of California to cause cancer and reproductive harm. Wash hands after handling.

### ⚠ CAUTION

When attaching battery cables, always connect the POSITIVE (Red) wire to its terminal first, followed by the NEGATIVE (Black) wire.

To connect the battery cables, proceed as follows:

**NOTE:** The positive battery terminal is marked Pos. (+). The negative battery terminal is marked Neg. (-).

1. Remove the plastic cover, if present, from the positive (+) battery terminal and attach the red cable to the positive battery terminal (+) with the bolt and hex nut. See Figure 3.

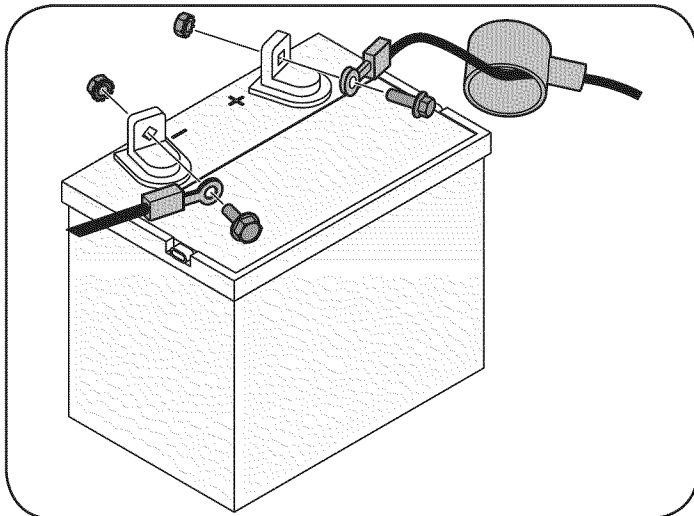


Figure 3

2. Remove the plastic cover, if present, from the negative (-) battery terminal and attach the black cable to the negative battery terminal (-) with the bolt and hex nut. See Figure 3.
3. Position the red rubber boot over the positive battery terminal to help protect it from corrosion.

**NOTE:** If the battery is put into service after the date shown on top/side of battery, charge the battery as instructed in the Service and Maintenance section of this Operator's Manual prior to operating the tractor.

## Checking Tire Pressure

### ⚠ WARNING

Do not overinflate tires. Check sidewall of tires for maximum psi. Equal tire pressure should be maintained at all times.

The tires on your tractor may be over inflated for shipping purposes. Reduce the tire pressure before operating the tractor. Check sidewall of tires for maximum psi.

## Setting the Deck Gauge Wheels

Move the tractor on a firm and level surface, preferably pavement, and proceed as follows:

1. Select the height position of the cutting deck by placing the deck lift lever in the normally desired mowing height setting (any of the six different cutting height notches on the right fender).
2. Check the gauge wheels for contact or excessive clearance with the surface below. The deck gauge wheels should have between  $\frac{1}{4}$ " and  $\frac{1}{2}$ " clearance above the ground.

If the gauge wheels have excessive clearance or contact with the surface, adjust as follows:

- a. Raise the deck lift handle to its highest setting.
- b. Remove the front and rear gauge wheels by removing the lock nuts and shoulder screws which secure them to the deck. See Figure 4.

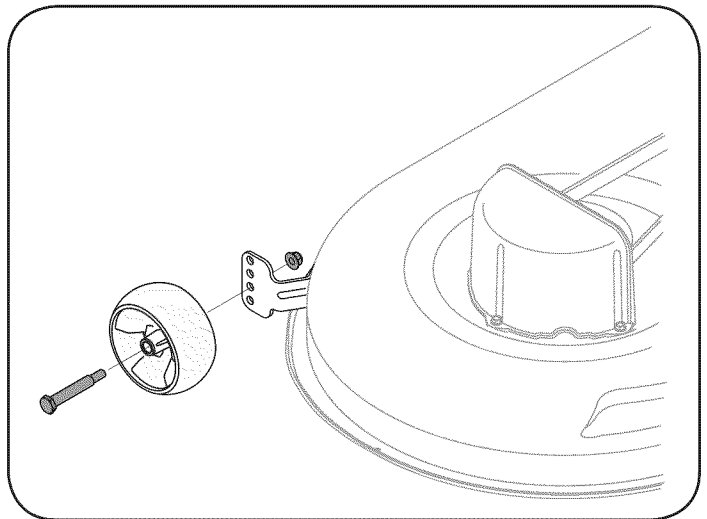


Figure 4

- c. Place the deck lift lever in the desired mowing height setting.
- d. Reinsert the shoulder screw (with each gauge wheel) into the index hole that leaves approximately  $\frac{1}{2}$ " between the bottom of the wheel and the pavement.

Refer to Leveling the Deck in the Service and Maintenance section of this manual for more detailed instructions regarding various deck adjustments.

# ASSEMBLY

## Adjusting the Seat

To adjust the position of the seat, pull up and hold the seat adjustment lever. Slide the seat forward or rearward to the desired position; then release the adjustment lever. Make sure seat is locked into position in a seat-stop before operating the tractor. See Figure 5.

### **⚠ WARNING**

Before operating the tractor, make sure the seat is engaged in a seat-stop. Engage the parking brake. Stand behind the machine and pull back on seat until it clicks into place.

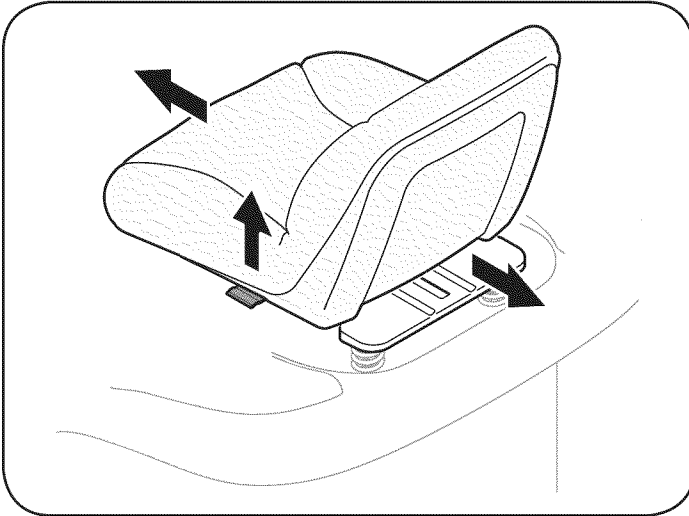


Figure 5

## Gas and Oil

The fuel tank is located under the hood and has a capacity of three and-a-half gallons. Remove the fuel cap by turning it counterclockwise. Use only clean, fresh (no more than 30 days old), unleaded gasoline. Do not overfill the tank.

### **⚠ WARNING**

Use extreme care when handling gasoline. Gasoline is extremely flammable and the vapors are explosive. Never fuel the machine indoors or while the engine is hot or running. Extinguish cigarettes, cigars, pipes and other sources of ignition.

**NOTE:** Your tractor is shipped with oil in the engine. However, you **MUST** check the oil level before operating. See Checking the Engine Oil in the Service and Maintenance section of this manual.

### **⚠ CAUTION**

Always check the engine oil level before each use as instructed in the Maintenance section. Add oil as necessary. Failure to do so may result in serious damage to your engine.

# KNOW YOUR MOWER

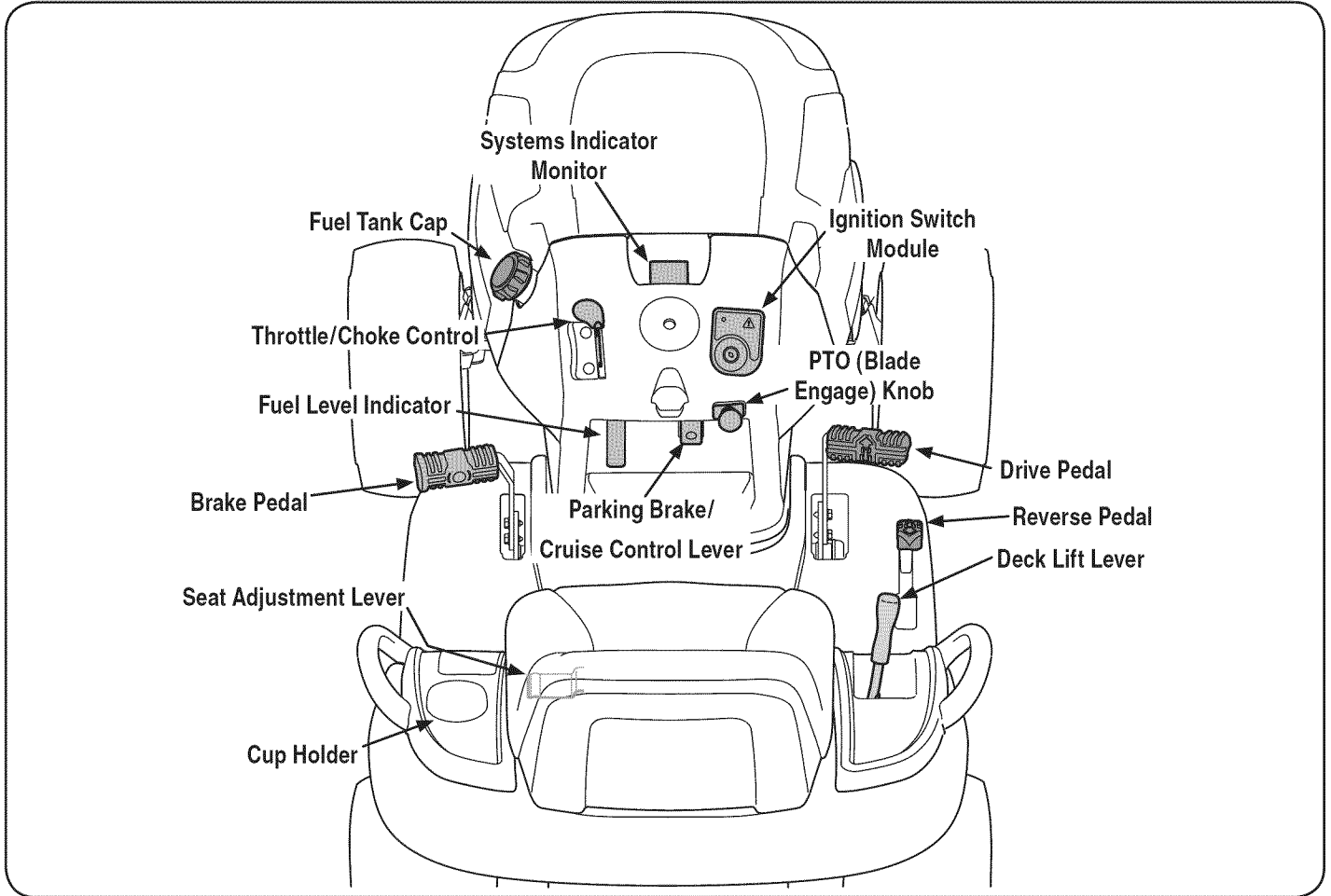


Figure 6

Lawn Tractor controls and features are illustrated in Figure 6 and described on the following pages.

## **⚠ WARNING**

Read and follow all safety rules and instructions in this manual, including the entire Operation section, before attempting to operate this machine. Failure to comply with all safety rules and instructions may result in personal injury.

## **THROTTLE/CHOKE CONTROL**

The throttle/choke control is located on the left side of the tractor's dash panel. This lever controls the speed of the engine and, when pushed all the way forward, closes the choke for cold starting. When set in a given position, the throttle will maintain a uniform engine speed.

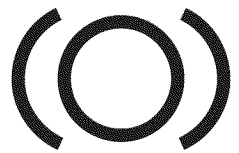
**NOTE:** When operating the tractor with the cutting deck engaged, be certain that the throttle/choke control is always in the FAST (rabbit) position.



## **BRAKE PEDAL**

The brake pedal is located on the left front side of the tractor along the running board. The brake pedal can be used for sudden stops or setting the parking brake.

**NOTE:** The brake pedal must be fully depressed to activate the safety interlock switch when starting the tractor.

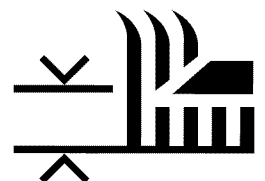


## **SEAT ADJUSTMENT LEVER**

The seat adjustment lever is located below the front/left of the seat. The lever allows for adjustment of the fore to aft position of the operator's seat. Refer to the Assembly section of this manual for more detailed instructions.

## **DECK LIFT LEVER**

Found on your tractor's right fender, the deck lift lever is used to change the height of the cutting deck. To use, move the lever to the left, then place in the notch best suited for your application.

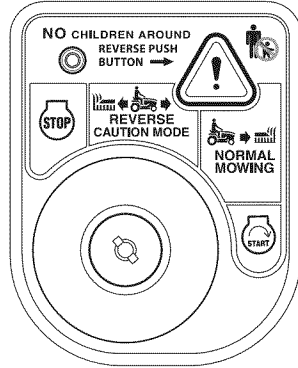


# KNOW YOUR MOWER

## IGNITION SWITCH MODULE

To start the engine, insert the key into the ignition switch and turn clockwise to the START position. Release the key into the NORMAL MOWING MODE position once the engine has fired.

To stop the engine, turn the ignition key counterclockwise to the STOP position.



### ⚠ WARNING

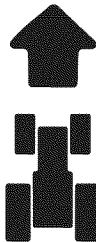
Never leave a running machine unattended. Always disengage PTO, set parking brake, stop engine and remove key to prevent unintended starting.

### ⚠ CAUTION

Prior to operating the tractor, refer to both Safety Interlock Switches and Starting The Engine in the Operation section of this manual for detailed instructions regarding the Ignition Switch Module and operating the tractor in REVERSE CAUTION MODE.

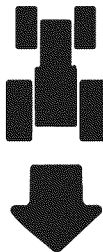
## DRIVE PEDAL

The drive pedal is located on the right side of the tractor, along the running board. Press the drive pedal forward to cause the tractor to travel forward. Ground speed is also controlled with the drive pedal. The further forward that the pedal is pivoted, the faster the tractor will travel. The pedal will return to its original position when it's not pressed.



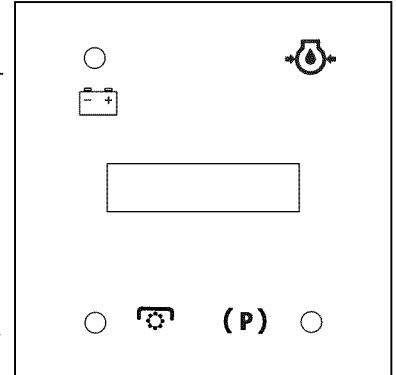
## REVERSE PEDAL

The reverse pedal is located on the right side of the tractor along the running board. Ground speed is also controlled with the reverse pedal. The further downward the pedal is pivoted, the faster the tractor will travel. The pedal will return to its original position when it's not pressed.



## SYSTEMS INDICATOR MONITOR/HOUR METER LCD

When the ignition key is rotated out of the STOP position but not into the START position, the system's indicator monitor displays the battery's output, in volts, on its LCD for approximately five seconds, after which it displays an hour glass and the hours of tractor operation. Once the tractor is started, the monitor continually displays an hour glass and the hours of tractor operation on its LCD.



**NOTE:** Hours of tractor operation are recorded any time the ignition key is rotated out of the STOP position, regardless of whether the engine is started.

The Indicator Monitor will also remind the operator of maintenance intervals for changing the engine oil. The LCD will alternately flash the recorded hours, "CHG" and "OIL" for five minutes, after every 50 hours of recorded operation elapse. The maintenance interval lasts for two hours (from 50-52, 100-102, 150-152, etc.). The LCD will also flash as described above for five minutes every time the tractor's engine has been started during this maintenance interval. Before the interval expires, change the engine oil as instructed in the Service and Maintenance section of this Operator's Manual.

### Brake

If the Brake light illuminates when attempting to start the tractor's engine, depress the brake pedal.

### PTO (Blade Engage)

If the PTO light illuminates when attempting to start the tractor's engine, move PTO knob into the disengaged (OFF) position.

### Oil

It is normal for the Oil light to illuminate while the engine is cranking during start-up, but if it illuminates during operation, while the engine is running, stop the tractor immediately and check the engine oil level as instructed in this Operator's Manual.

### Battery

It is normal for the Battery light to illuminate while the engine is cranking during start-up, but if it illuminates during operation, while the engine is running, the battery is in need of a charge or the engine's charging system is not generating sufficient amperage. Charge the battery as instructed in the Service section of this manual or have the charging system checked by a Sears or other qualified service dealer.

# KNOW YOUR MOWER

## FUEL LEVEL INDICATOR

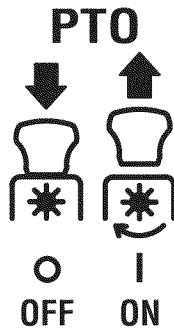
The Fuel Level Indicator is located on the left side of the tractor's dash and indicates the amount of fuel in the gas tank.



## PTO/BLADE ENGAGE KNOB

Activating the PTO engages power to the cutting deck or other (separately available) attachments. Pull outward on the PTO/Blade Engage knob to activate it. Push the PTO/Blade Engage knob inward to disengage the power to the cutting deck or other (separately available) attachments.

**NOTE:** The PTO/Blade Engage knob must be in the disengaged (OFF) position when starting the engine.



## PARKING BRAKE/CRUISE CONTROL LEVER

Located in the center of the tractor's dash panel below the steering wheel, the Parking Brake/Cruise Control lever is used to engage the parking brake and the cruise control. Refer to the Operation section of this manual for detailed instructions regarding the parking brake.

**NOTE:** The parking brake must be set if the operator leaves the seat with the engine running or the engine will automatically shut off.

**NOTE:** Cruise control can NOT be engaged at the tractor's fastest ground speed. If the operator should attempt to do so, the tractor will automatically decelerate to the fastest optimal mowing ground speed.



## **⚠ WARNING**

Never leave a running machine unattended. Always disengage PTO (Blade Engage knob), set parking brake, stop engine and remove key to prevent unintended starting.

# OPERATION

## SAFETY INTERLOCK SWITCHES

This tractor is equipped with a safety interlock system for the protection of the operator. If the interlock system should ever malfunction, do not operate the tractor. Contact a Sears or other qualified service dealer.

- The safety interlock system prevents the engine from cranking or starting unless the parking brake is engaged, and the PTO (Blade Engage) handle is in the disengaged (OFF) position.
- The engine will automatically shut off if the operator leaves the seat before engaging the parking brake.
- The electric PTO (Blade Engage) clutch will automatically shut off if the operator leaves the tractor's seat with the PTO (Blade Engage) knob in the engaged (ON) position, regardless of whether the parking brake is engaged.
- With the ignition key in the NORMAL MOWING position, the electric PTO (Blade Engage) clutch will automatically shut off if the PTO (Blade Engage) knob is moved into the engaged (ON) position with the drive pedal in position for reverse travel.

### ⚠ WARNING

Do not operate the tractor if the interlock system is malfunctioning. This system was designed for your safety and protection.

## STARTING THE ENGINE

**NOTE:** Refer to the Assembly & Set-Up section of this manual for Gasoline and Oil fill-up instructions.

1. Insert the tractor key into the ignition switch module.
2. Place the PTO (Blade Engage) knob in the disengaged (OFF) position.
3. Engage the tractor's parking brake.
4. Activate the choke control by moving the throttle/choke control all the way forward into the choke position.
5. Turn the ignition key clockwise to the START position. After the engine starts, release the key. It will return to the NORMAL MOWING position.

### ⚠ CAUTION

Do NOT hold the key in the START position for longer than ten seconds at a time. Doing so may cause damage to your engine's electric starter.

6. After the engine starts, deactivate the choke control.

**NOTE:** Do NOT leave the choke control on while operating the tractor. Doing so will result in a "rich" fuel mixture and cause the engine to run poorly.

## STOPPING THE ENGINE

### ⚠ WARNING

If you strike a foreign object, stop the engine and disconnect the spark plug wire(s). Thoroughly inspect the machine for any damage. Repair the damage before restarting and operating.

1. If the blades are engaged, place the PTO/Blade Engage knob in the disengaged (OFF) position.
2. Place the throttle control near the SLOW position.
3. Turn the ignition key counterclockwise to the STOP position.
4. Remove the key from the ignition switch to prevent unintended starting.

## DRIVING THE TRACTOR

### ⚠ WARNING

Avoid sudden starts, excessive speed and sudden stops.

Lightly press the brake pedal to release the parking brake. Move the throttle lever into the FAST (rabbit) position.

1. To travel FORWARD, slowly press the drive pedal forward until the desired speed is achieved. See Figure 7.

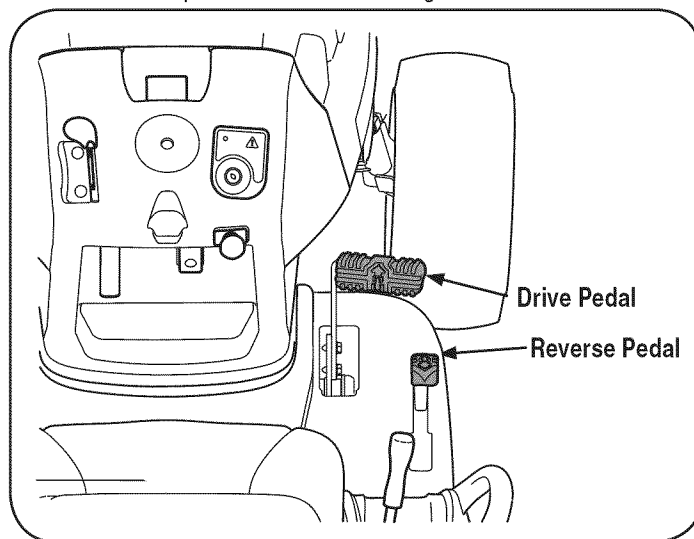


Figure 7

2. To travel in REVERSE, check that the area behind is clear then slowly depress the reverse pedal with the ball of your foot (NOT your heel) until the desired speed is achieved. See Figure 7.

### ⚠ CAUTION

Do NOT attempt to change the direction of travel when the tractor is in motion. Always bring the tractor to a complete stop before moving from forward to reverse or vice versa.

### ⚠ WARNING

Do not leave the seat of the tractor without first placing the PTO/Blade Engage knob in the disengaged (OFF) position and engaging the parking brake. If leaving the tractor unattended, also turn the engine off and remove the ignition key.



# OPERATION

## REVERSE CAUTION MODE

The REVERSE CAUTION MODE position of the key switch module allows the tractor to be operated in reverse with the blades (PTO) engaged.

**NOTE:** Mowing in reverse is not recommended.

### **⚠ WARNING**

Use extreme caution while operating the tractor in the REVERSE CAUTION MODE. Always look down and behind before and while backing. Do not operate the tractor when children or others are around. Stop the tractor immediately if someone enters the area.

To use the REVERSE CAUTION MODE:

**NOTE:** The operator **MUST** be seated in the tractor seat.

1. Start the engine as previously instructed on the previous page.
2. Turn the key from the NORMAL MOWING (Green) position to the REVERSE CAUTION MODE (Yellow) position of the key switch module. See Figure 8.

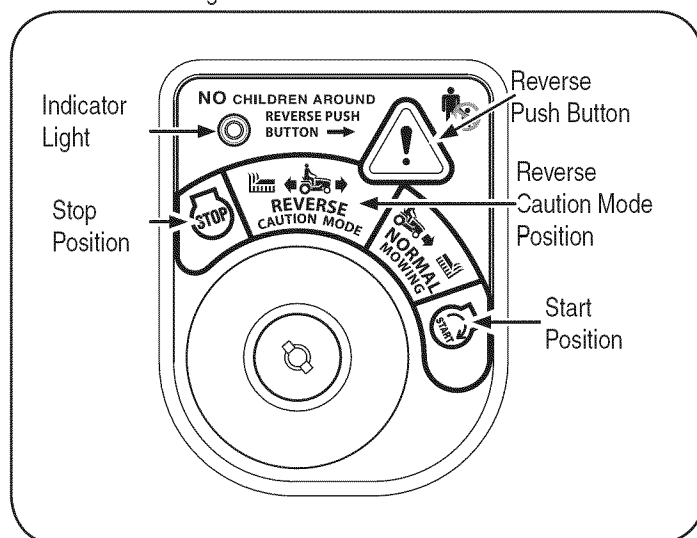


Figure 8

3. Press the REVERSE PUSH BUTTON (Orange, Triangular Button) at the top, right corner of the key switch module. The red indicator light at the top, left corner of the key switch module will be ON while activated. See Figure 8.
4. Once activated (indicator light ON), the tractor can be driven in reverse with the cutting blades (PTO) engaged.
5. Always look down and behind before and while backing to make sure no children are around. After resuming forward motion, return the key to the NORMAL MOWING position.

The REVERSE CAUTION MODE will remain activated until:

- a. The key is placed in either the NORMAL MOWING position or STOP position or
- b. The operator leaves the seat.

## DRIVING ON SLOPES

Refer to the SLOPE GUIDE on page 8 to help determine slopes where you may operate the tractor safely.

### **⚠ WARNING**

Do not mow on inclines with a slope in excess of 15 degrees (a rise of approximately 2-1/2 feet every 10 feet). The tractor could overturn and cause serious injury.

- Mow up and down slopes, NEVER across.
- Exercise extreme caution when changing direction on slopes.
- Watch for holes, ruts, bumps, rocks, or other hidden objects. Uneven terrain could overturn the machine. Tall grass can hide obstacles.
- Avoid turns when driving on a slope. If a turn must be made, turn down the slope. Turning up a slope greatly increases the chance of a roll over.
- Avoid stopping when driving up a slope. If it is necessary to stop while driving up a slope, start up smoothly and carefully to reduce the possibility of flipping the tractor over backward.

## ENGAGING THE PARKING BRAKE/SETTING THE CRUISE CONTROL

**NOTE:** The parking brake and cruise control are controlled by the same lever. If using the brake when engaging the parking brake/cruise control lever, the parking brake will engage. If using the drive pedal when engaging the parking brake/cruise control lever, the cruise control will engage.

### Parking Brake

**NOTE:** The parking brake must be set if the operator leaves the seat with the engine running or the engine will automatically shut off.

To set the parking brake:

1. Press the brake pedal completely down with your left foot and hold it in that position.
2. Push the parking brake/cruise control lever downward and hold it in that position.
3. Remove your foot from the brake pedal.
4. Release pressure from the parking brake/cruise control lever.

After completing step 3, the brake pedal should remain in the down position. If it doesn't, the parking brake is *not* engaged. Repeat steps 1 through 4 to engage the parking brake.

To disengage the parking brake, lightly press the brake pedal .

### **⚠ WARNING**

Never leave a running machine unattended. Always disengage PTO (Blade Engage knob), set parking brake, stop engine and remove key to prevent unintended starting.

# OPERATION

## Cruise Control

### **⚠ WARNING**

Never engage the cruise control lever while traveling in reverse.

To set the cruise control:

1. Slowly press the upper portion of the drive pedal with your right foot until the desired speed is achieved.
2. Lightly press the parking brake/cruise control lever downward and hold it in that position.
3. Remove your foot from the drive pedal.
4. Release pressure from the parking brake/cruise control lever.

After completing step 3, the drive pedal should remain in the down position and the tractor will maintain the same forward speed. If it doesn't, the cruise control is *not* engaged. Repeat steps 1 through 4 to engage the cruise control.

To disengage the cruise control, lightly press the drive pedal or the brake pedal.

**NOTE:** Cruise control cannot be set at the tractor's fastest ground speed. If the operator should attempt to do so, the tractor will automatically decelerate to the fastest optimal mowing ground speed.

To change the direction of travel from forward to reverse when cruise control is engaged, press the brake pedal to disengage the cruise control and bring the tractor to a complete stop. Then slowly press the reverse pedal with the ball of your foot to travel in reverse.

## USING THE DECK LIFT LEVER

To raise the cutting deck, move the deck lift lever to the left, then place it in the notch best suited for your application.

## OPERATING THE HEADLIGHTS

The lamps are ON whenever the ignition key is rotated out of the STOP position. The lamps turn OFF when the ignition key is moved to the STOP position.

## ENGAGING THE PTO

Engaging the PTO transfers power to the cutting deck or other (separately available) attachments. To engage the PTO:

1. Move the Throttle/Choke control lever to the FAST (rabbit) position.

2. Pull the PTO/Blade Engage knob back into the engaged (ON) position. See Figure 9.

**NOTE:** Always operate the tractor with the Throttle/Choke control lever in the FAST (rabbit) position for the most efficient use of the cutting deck or other (separately available) attachments.

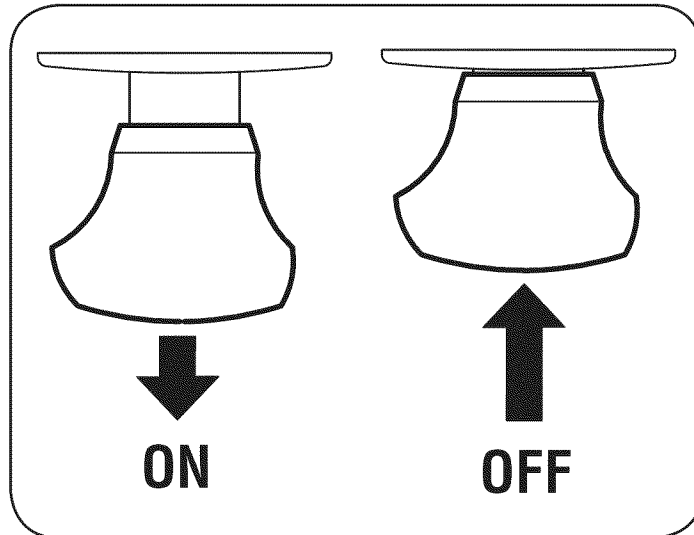


Figure 9

## MOWING

### **⚠ WARNING**

To help avoid blade contact or a thrown object injury, keep bystanders, helpers, children and pets at least 75 feet from the machine while it is in operation. Stop machine if anyone enters the area.

The following information will be helpful when using the cutting deck with your tractor.

### **⚠ WARNING**

Plan your mowing pattern to avoid discharge of materials toward roads, sidewalks, bystanders and the like. Also, avoid discharging material against a wall or obstruction which may cause discharged material to ricochet back toward the operator.

- Do not mow at high ground speed, especially if a mulch kit or grass collector is installed.
- Do not cut the grass too short. Short grass is prone to weed growth and yellows quickly in dry weather.
- Always operate the tractor with the throttle lever in the FAST (rabbit) position while mowing.
- For best results it is recommended that the first two laps be cut with the discharge thrown towards the center. After the first two laps, reverse the direction to throw the discharge to the outside for the balance of cutting. This will give a better appearance to the lawn.
- Do NOT attempt to mow heavy brush and weeds or extremely tall grass. Your tractor is designed to mow lawns, NOT clear brush.
- Keep the blades sharp and replace the blades when worn.

# SERVICE AND MAINTENANCE

## WARNING

Before performing any type of maintenance/service, disengage all controls and stop the engine. Wait until all moving parts have come to a complete stop. Disconnect spark plug wire and ground it against the engine to prevent unintended starting. Always wear safety glasses during operation or while performing any adjustments or repairs.

Follow the maintenance schedule given below. This chart describes service guidelines only. Use the Service Log column to keep track of completed maintenance tasks. **To locate the nearest Sears Service Center or to schedule service, simply contact Sears at 1-800-4-MY-HOME®.**

Interval	Item	Service	Service Log
Before Each Use	<ol style="list-style-type: none"> <li>1. Engine oil level</li> <li>2. Muffler area and controls</li> </ol>	<ol style="list-style-type: none"> <li>1. Check</li> <li>2. Clean</li> </ol>	
In the First Five Hours	<ol style="list-style-type: none"> <li>1. Engine Oil</li> </ol>	<ol style="list-style-type: none"> <li>1. Change</li> </ol>	
Every 10 Hours	<ol style="list-style-type: none"> <li>1. Hood/ Dash air vents</li> <li>2. Battery terminals</li> <li>3. Deck spindles and idler bracket</li> </ol>	<ol style="list-style-type: none"> <li>1. Clean</li> <li>2. Clean</li> <li>3. Lubricate</li> </ol>	
Every 25 hours	<ol style="list-style-type: none"> <li>1. Air filter's precleaner*</li> <li>2. Air filter*</li> <li>3. Mid steering arms, pivot shafts, and axles</li> <li>4. Front wheel bearings</li> <li>5. Front deck wheels</li> </ol>	<ol style="list-style-type: none"> <li>1. Clean</li> <li>2. Clean</li> <li>3. Lubricate</li> <li>4. Lubricate</li> <li>5. Lubricate</li> </ol>	
Every 50 hours	<ol style="list-style-type: none"> <li>1. Engine oil</li> <li>2. Muffler</li> </ol>	<ol style="list-style-type: none"> <li>1. Change</li> <li>2. Check</li> </ol>	
Annually	<ol style="list-style-type: none"> <li>1. Air filter</li> <li>2. Air filter's pre-cleaner</li> <li>3. Spark plug</li> <li>4. Air cooling system*</li> <li>5. Fuel filter</li> <li>6. Steering Gears</li> <li>7. Rear Wheels</li> </ol>	<ol style="list-style-type: none"> <li>1. Replace</li> <li>2. Replace</li> <li>3. Replace</li> <li>4. Clean</li> <li>5. Replace</li> <li>6. Clean</li> <li>7. Remove and grease axles</li> </ol>	
Before Storage	<ol style="list-style-type: none"> <li>1. Hood/ Dash air vents</li> <li>2. Battery terminals</li> <li>3. Mid steering arms, pivot shafts, and axles</li> <li>4. Front wheel bearings</li> <li>5. Front deck wheels</li> <li>6. Deck spindles and idler bracket</li> <li>7. Pedal pivot points</li> </ol>	<ol style="list-style-type: none"> <li>1. Clean</li> <li>2. Clean</li> <li>3. Lubricate</li> <li>4. Lubricate</li> <li>5. Lubricate</li> <li>6. Lubricate</li> <li>7. Lubricate</li> </ol>	

\*Service more frequently under dusty conditions.

## WARNING

Before performing any maintenance or repairs, disengage the PTO (Blade Engage knob), engage the parking brake, stop the engine and remove the key to prevent unintended starting.

## WARNING

If the engine has been recently run, the engine, muffler and surrounding metal surfaces will be hot and can cause burns to the skin. Exercise caution to avoid burns.

# SERVICE AND MAINTENANCE

## CUTTING DECK REMOVAL

1. Place the PTO/Blade Engage knob in the disengaged (OFF) position and engage the parking brake.
2. Lower the deck by moving the deck lift lever into the bottom notch on the right fender.
3. Locate the PTO clutch under the front of your tractor. See Figure 10.

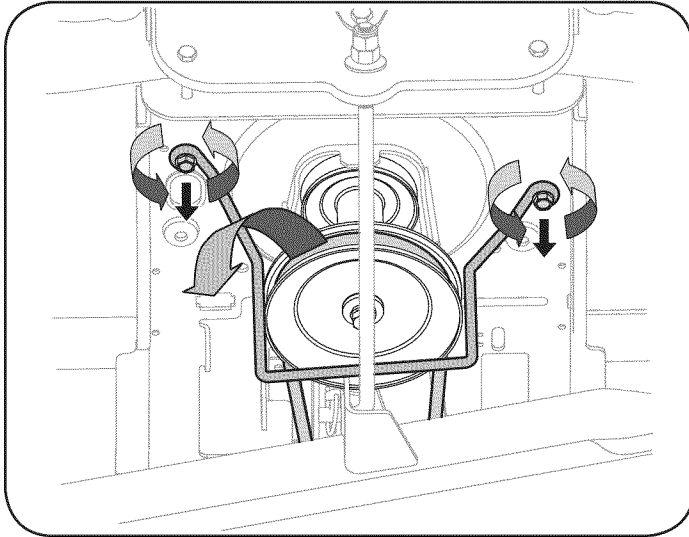


Figure 10

4. Remove the belt guard and belt from the PTO pulley as follows. Refer to Figure 10:
  - a. Remove the hex screws.
  - b. Pull the belt keeper rod to the right and down to remove.
  - c. Remove the deck belt from around the tractor's electric PTO clutch.

**NOTE:** If there is too much tension on the belt for it to be easily removed from the electric PTO clutch, carefully insert a 3/8" drive ratchet wrench (set to *loosen*) into the square hole found in the deck idler bracket and pivot it toward the tractor's left side to relieve tension on the belt. See Figure 11.

### **⚠ WARNING**

Avoid pinching injuries. Never place your fingers on the idler spring or between the belt and a pulley while removing the belt.

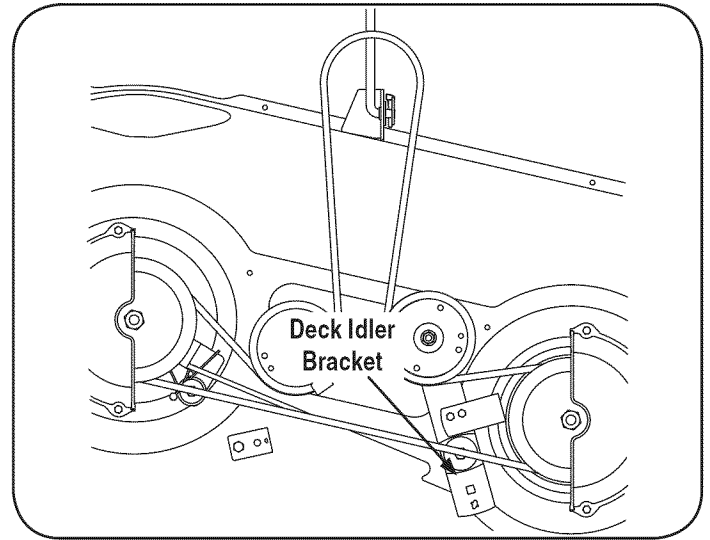


Figure 11

5. Looking at the cutting deck from the left side of the tractor, locate the deck support pin on the rear left side of the deck.
6. Pull the deck support pin outward to release the deck from the deck lift arm. See Figure 12.

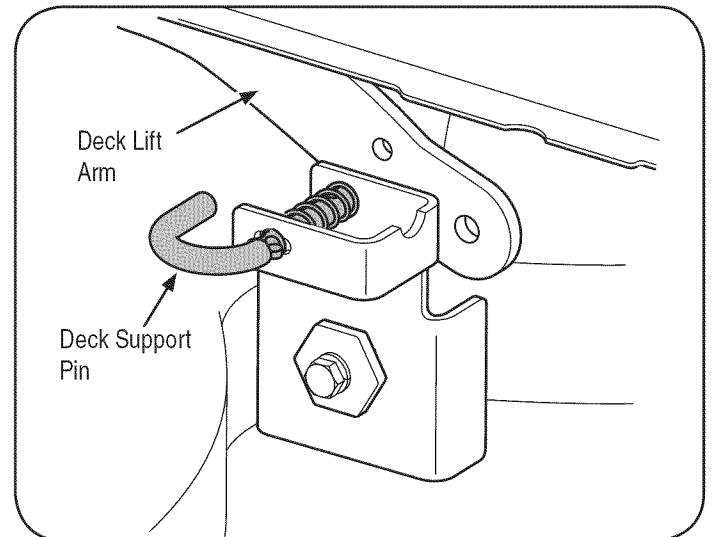


Figure 12

## SERVICE AND MAINTENANCE

7. Repeat the above steps on the tractor's right side.
8. Move the deck lift lever into the top notch to raise the deck lift arms up and out of the way.
9. Remove the cotter pin from the end of the stabilizer rod and slide the stabilizer out of the hanger bracket on the deck. See Figure 13.

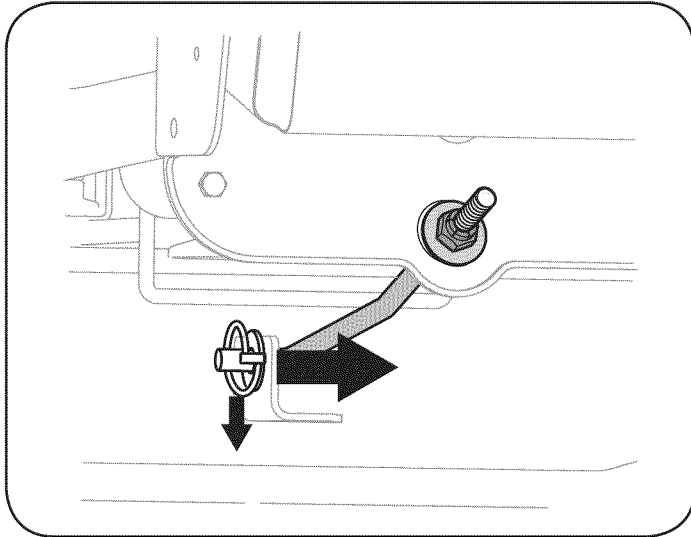


Figure 13

10. Gently slide the cutting deck (from the right side) out from underneath the tractor.

## CHANGING THE DECK BELT

### ⚠ WARNING

The V-belts found on your tractor are specially designed to engage and disengage safely. A substitute (non-OEM) V-belt can be dangerous by not disengaging completely. For a proper working machine, use factory approved belts as listed in the Parts List manual included with this product..

All belts on your tractor are subject to wear and should be replaced if any signs of wear are present. To change or replace the deck belt on your tractor, proceed as follows:

1. Remove the deck as instructed on page 20.
2. Remove the belt covers from the outer spindles by removing the hex washer screws that fasten them to the deck. See Figure 14.

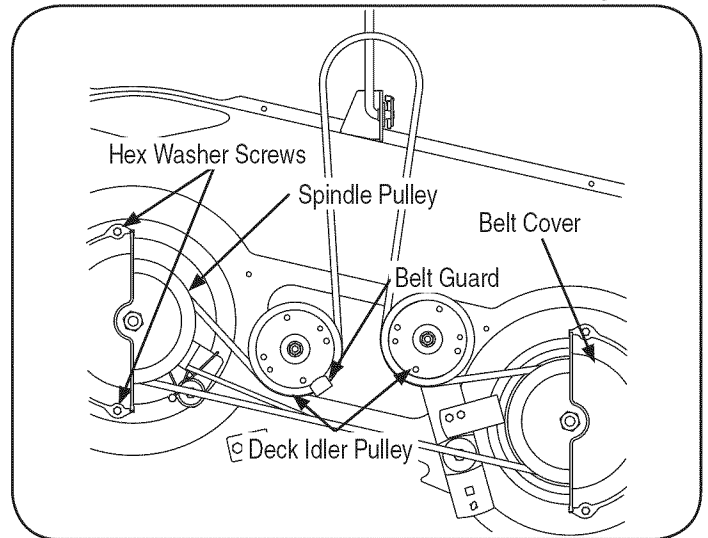


Figure 14

3. It may also be necessary to loosen the hex nut on the left idler pulley to get the belt off the pulley and around the belt guard.
4. Carefully remove the deck belt from around the two spindle pulleys and the two deck idler pulleys. See Figure 14.

# SERVICE AND MAINTENANCE

5. To place the new belt, begin by routing the belt around the two outer spindle pulleys as shown in Figure 15.

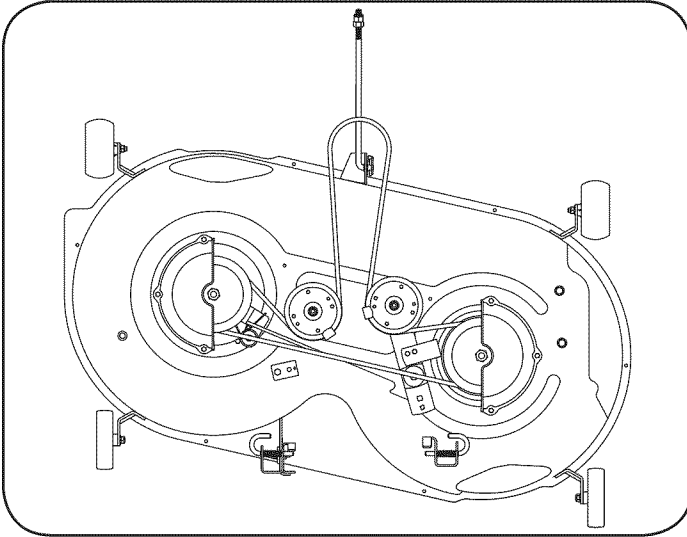


Figure 15

6. Then route the belt around the two deck idler pulleys as shown in Figure 15.
7. Retighten the belt keeper rod loosened earlier.
8. Remount the belt guards removed earlier.
9. Reinstall the deck as follows:
  - a. With the deck beneath the mower frame, attach the stabilizer rod. See Figure 13.
  - b. Reconnect the deck lift arms. See Figure 12.
10. Pull the right side of the belt and place the narrow V side of the belt into the PTO pulley. See Figure 16.

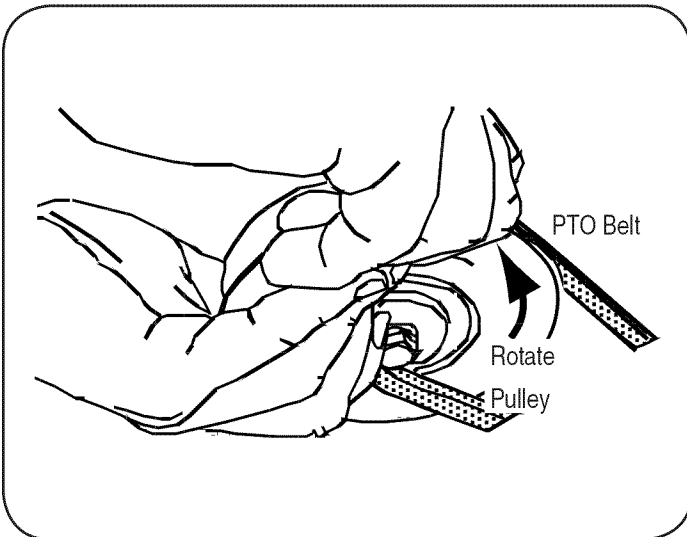


Figure 16

11. While holding the belt and pulley together, rotate the pulley to the left (See Figure 16). Continue holding and rotating the pulley and belt until the belt is fully rolled into the PTO pulley.
12. Replace the PTO pulley belt guard. See Figure 10.

## CUTTING BLADES

### ⚠ WARNING

Shut the engine off and remove ignition key before removing the cutting blade(s) for sharpening or replacement. Protect your hands by using heavy gloves when grasping the blade.

### ⚠ WARNING

Periodically inspect the blade and/or spindle for cracks or damage, especially after you've struck a foreign object. Do not operate the machine until damaged components are replaced.

To remove the blades, proceed as follows:

1. Remove the deck from beneath the tractor, (refer to Cutting Deck Removal earlier in this section) then gently flip the deck over to expose its underside.
2. Place a block of wood between the center deck housing baffle and the cutting blade to act as a stabilizer. See Figure 17.

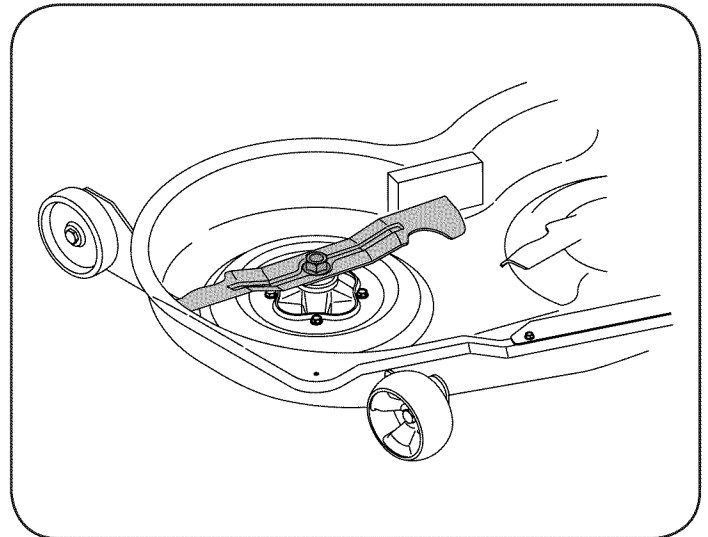


Figure 17

3. Remove the hex flange nut that secures the blade to the spindle assembly. See Figure 17.

# SERVICE AND MAINTENANCE

- To properly sharpen the cutting blades, remove equal amounts of metal from both ends of the blades along the cutting edges, parallel to the trailing edge, at a 25°- 30° angle. Always grind each cutting blade edge equally to maintain proper blade balance. See Figure 18.

## ⚠ CAUTION

If the cutting edge of the blade has previously been sharpened, or if any metal separation is present, replace the blades with new ones.

## ⚠ WARNING

A poorly balanced blade will cause excessive vibration, may cause damage to the tractor and/or result in personal injury.

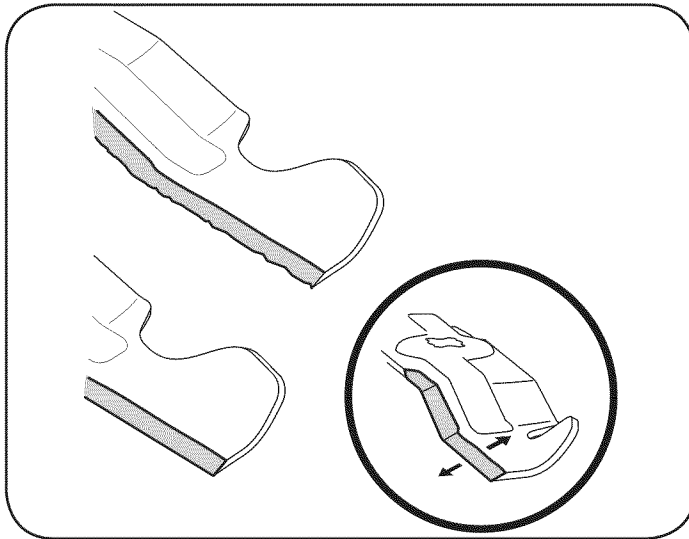


Figure 18

- Test the blade's balance using a blade balancer. Grind metal from the heavy side until it balances evenly.

**NOTE:** When replacing the blade, be sure to install the blade with the side of the blade marked "Bottom" (or with a part number stamped in it) facing the ground when the mower is in the operating position.

## ⚠ CAUTION

Use a torque wrench to tighten the blade spindle hex flange nut to between 70 ft-lbs and 90 ft-lbs.

## BATTERY

## ⚠ WARNING

Battery posts, terminals, and related accessories contain lead and lead compounds, chemicals known to the State of California to cause cancer and reproductive harm. Wash hands after handling.

## ⚠ CAUTION

If removing the battery, disconnect the NEGATIVE (Black) wire from its terminal first, followed by the POSITIVE (Red) wire. When reinstalling the battery, always connect the POSITIVE (Red) wire its terminal first, followed by the NEGATIVE (Black) wire.

## Jump Starting

## ⚠ WARNING

Never jump start a damaged or frozen battery. Be certain the vehicles do not touch and ignitions are off. Do not allow cable clamps to touch.

- Connect the positive (+) cable to positive (+) post of your tractor's discharged battery.
- Connect the other end of the cable to the positive (+) post of the jumper battery.
- Connect the negative (-) cable to the negative (-) post of the jumper battery.
- Make the final connection on the engine block of the tractor, away from the battery. Attach to an unpainted part to assure a good connection.

## ⚠ CAUTION

If the jumper battery is installed on a vehicle (i.e. car, truck), do NOT start the vehicle's engine when jump starting your tractor.

- Start the tractor (as instructed in the Operation section of this manual).
- Set the tractor's parking brake before removing the jumper cables. Remove cables in reverse order of connection.

## Charging

## ⚠ WARNING

Batteries give off an explosive gas while charging. Charge the battery in a well ventilated area and keep away from an open flame or pilot light as on a water heater, space heater, furnace, clothes dryer or other gas appliances.

## ⚠ CAUTION

When charging your tractor's battery, use only a charger designed for 12V lead-acid batteries. Read your battery charger's Owner's Manual prior to charging your tractor's battery. Always follow its instructions and heed its warnings.

If your tractor has not been put into use for an extended period of time, charge the battery as follows:

- Set your battery charger to deliver a max of 10 amperes.
- If your battery charger is automatic, charge the battery until the charger indicates that charging is complete. If the charger is not automatic, charge for no fewer than eight hours.

# SERVICE AND MAINTENANCE

## FUSE

### ⚠ WARNING

Before servicing, repairing, or inspecting, always disengage PTO (Blade Engage knob), set parking brake, stop engine and remove key to prevent unintended starting.

A fuse is installed in your tractor's wiring harness to protect the tractor's electrical system from damage caused by excessive amperage.

If the electrical system does not function, or your tractor's engine will not crank, first check to be certain that the fuse has not blown. It is located under the hood, mounted behind the top of the dash panel on the support bar.

### ⚠ CAUTION

Always use a replacement fuse with the same amperage capacity as the blown fuse.

## TIRES

### ⚠ WARNING

Never exceed the maximum inflation pressure shown on the sidewall of the tire.

Refer to the tire sidewall for exact tire manufacturer's recommended or maximum psi. Do not overinflate.

Uneven tire pressure could cause the cutting deck to mow unevenly.

## CHANGING THE TRANSMISSION DRIVE BELT

Several components must be removed and special tools used in order to change the tractor's transmission drive belt. See a Sears or other qualified service dealer to have the transmission drive belt replaced.

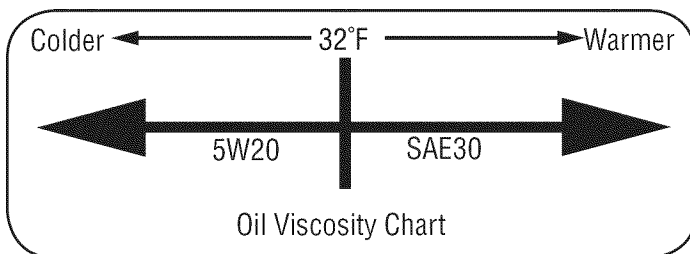
## ENGINE MAINTENANCE

### ⚠ WARNING

Before performing any maintenance or repairs, disengage PTO (Blade Engage knob), set parking brake, stop engine and remove key to prevent unintended starting.

### Checking the Engine Oil

Only use high quality detergent oil rated with API service classification SF, SG, SH, or SJ. Select the oil's SAE viscosity grade according to the expected operating temperature. Follow the chart below.



Although multi-viscosity oils (5W20, 10W30, etc.) improve starting in cold weather, they will result in increased oil consumption when used above 32°F. Check your engine oil level more frequently to avoid possible engine damage from running low on oil.

To check the engine oil, proceed as follows:

1. Ensure that the tractor is on a level surface.
2. Clean the oil fill area of any debris.
3. Remove the dipstick and wipe with a clean cloth.
4. Insert and tighten dipstick.
5. Remove the dipstick and check the oil level. It should be at the Full mark on the dipstick. See Figure 19.

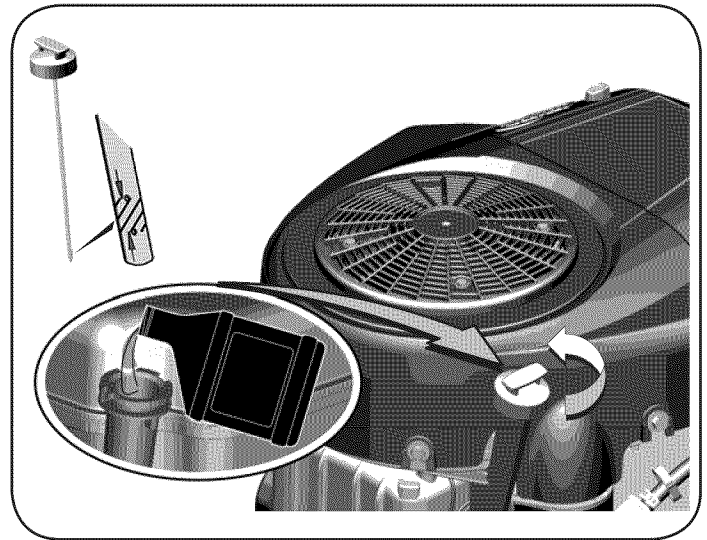


Figure 19

6. If low, add oil slowly into the engine oil fill. Do not overfill. After adding oil, wait one minute and then recheck the oil level.

### ⚠ CAUTION

Do not overfill. Overfilling with oil may cause the engine to not start, hard starting, or engine smoking. If over the FULL mark on the dipstick, drain oil to reduce oil level to FULL mark on dipstick.

7. Replace and tighten dipstick.



# SERVICE AND MAINTENANCE

## Changing the Engine Oil

### ⚠ WARNING

If the engine has been recently run, the engine, muffler and surrounding metal surfaces will be hot and can cause burns to the skin. Exercise caution to avoid burns.

**NOTE:** The oil filter should be changed at every oil change interval. To complete an oil change, proceed as follows:

1. With engine OFF but still warm, disconnect spark plug wire and keep it away from spark plug.
2. Remove the oil fill cap/dipstick from the oil fill tube. See Figure 20.

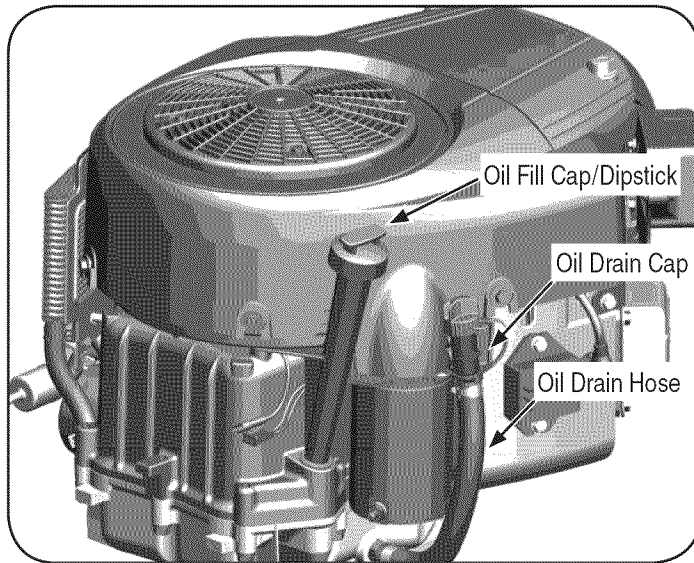


Figure 20

3. Disconnect the oil drain hose from the side of the engine.
4. Turn and remove the oil drain cap. Carefully lower the quick oil drain into an approved container.
5. After the oil has drained, install the oil drain cap. Attach the oil drain hose to the side of the engine.

### ⚠ CAUTION

Used oil is a hazardous waste product. Dispose of used oil properly. Do not discard with household waste. Check with your local authorities or Sears Service Center for safe disposal/recycling facilities.

6. Reconnect spark plug wire.

## Air Cleaner

### ⚠ WARNING

If filters, or covers are not installed correctly serious injury or death could result from backfire. Do not attempt to start the engine with them removed.

### ⚠ CAUTION

Do not use pressurized air or solvents to clean the air cleaner cartridge.

1. Remove the air filter cover.
2. To remove the air filter, lift the end of the filter. See Figure 21.

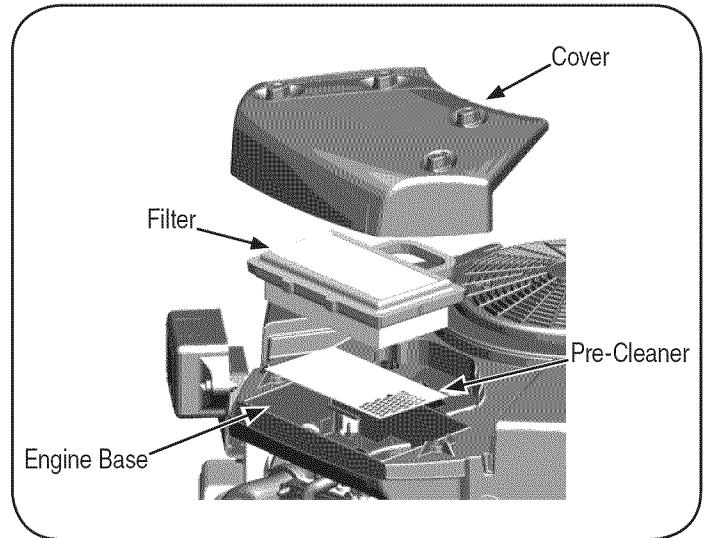


Figure 21

3. Remove the pre-cleaner from the filter.
4. To loosen debris, gently tap the filter on a hard surface. If the filter is excessively dirty, replace with a new filter.
5. Wash the pre-cleaner in liquid detergent and water. Allow it to thoroughly air dry. **Do not** oil the pre-cleaner.
6. Assemble the dry pre-cleaner to the filter.
7. Install the filter into the engine base and push down until the filter snaps in place.
8. Install the cover.

## Spark Plug

1. Clean area around the spark plug base. Do not sandblast spark plug. Spark plug should be cleaned by scraping or wire brushing and washing with a commercial solvent
2. Remove and inspect the spark plug. Check gap to make sure it is set at .030". See Figure 22.

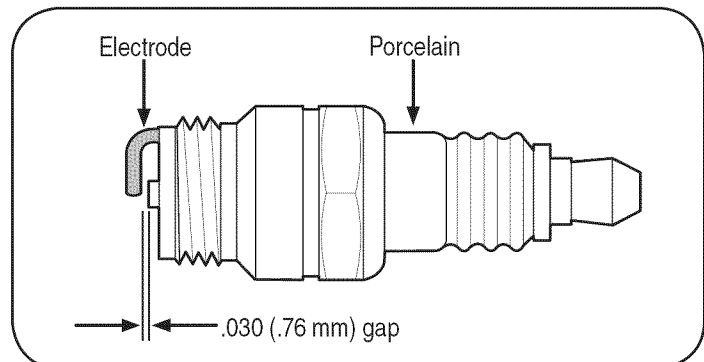


Figure 22

3. Replace the spark plug (Champion® RC12YC) once a season.

# SERVICE AND MAINTENANCE

## Fuel Filter

### ⚠ WARNING

Gasoline and its vapors are extremely flammable and explosive. Fire or explosion can cause severe burns or death.

- Keep gasoline away from sparks, open flames, pilot lights, heat, and other ignition sources.
- Check fuel lines, tank, cap, and fittings frequently for cracks or leaks. Replace if necessary. See a Sears or other qualified service dealer to replace fuel line.
- Before replacing the fuel filter, drain the fuel tank or close the fuel shut-off valve.
- Replacement parts must be the same and installed in the same position as the original parts.
- If fuel spills, wait until it evaporates before starting engine.

### To Drain the Fuel:

1. Locate the fuel filter, which is routed on the left side of the engine between the fuel tank and the carburetor, and may be attached to the engine with a tie strap.
2. Cut the tie strap, if present, then pinch the in-line clamp on the fuel filter with a pair of pliers.
3. Slide the clamp up the fuel line.
4. Remove the in-line fuel line and drain the fuel into an approved container.

### To Replace the Fuel Filter:

1. Before replacing the fuel filter, drain the fuel tank or close the fuel shut-off valve. Otherwise, fuel can leak out and cause a fire or explosion.
2. Use pliers to squeeze tabs on the clamps, then slide the clamps away from the fuel filter. Twist and pull the fuel lines off of the fuel filter. See Figure 23.

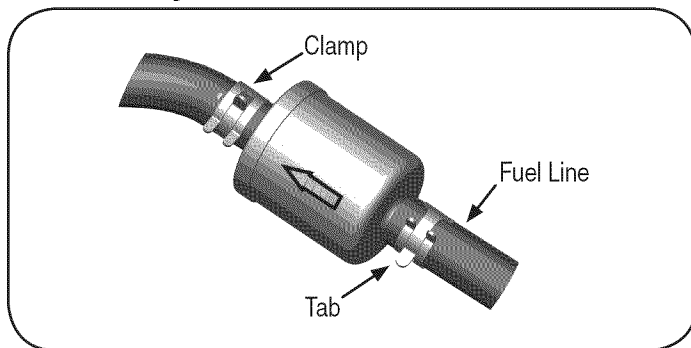


Figure 23

3. Check the fuel lines for cracks or leaks. Replace if necessary.
4. Replace the fuel filter with an original equipment replacement filter.
5. Secure the fuel lines with the clamps.

## Muffler

### ⚠ WARNING

Temperature of muffler and nearby engine areas may exceed 150° F (65°C). Avoid contact with these areas.

Inspect muffler periodically, and replace if necessary. Replacement parts for the muffler must be the same and installed in the same position as the original parts. See the Parts List manual included with this tractor.

## Clean Engine

### ⚠ CAUTION

Do not use water to clean engine parts. Water could contaminate fuel system. Use a brush or dry cloth.

- Daily or before every use, clean grass, chaff or accumulated debris from engine. Keep linkage, spring, and controls clean.
- Keep area around and behind muffler free of any combustible debris.
- Keeping engine clean allows air movement around engine.
- Engine parts should be kept clean to reduce the risk of overheating and ignition of accumulated debris.

## Carburetor Adjustment

The carburetor on this engine is not adjustable.

## Hydrostatic Transmission

The hydrostatic transmission is sealed at the factory and is maintenance-free. The fluid level cannot be checked and the fluid cannot be changed.

## Battery

### ⚠ WARNING

Battery posts, terminals, and related accessories contain lead and lead compounds, chemicals known to the State of California to cause cancer and reproductive harm. Wash hands after handling.

The battery is sealed and is maintenance-free. Acid levels cannot be checked and fluid can not be added.

- Always keep the battery cables and terminals clean and free of corrosive build-up.
- After cleaning the battery and terminals, apply a light coat of petroleum jelly or grease to both terminals.

### ⚠ CAUTION

If removing the battery for cleaning, disconnect the NEGATIVE (Black) wire from its terminal first, followed by the POSITIVE (Red) wire. When re-installing the battery, always connect the POSITIVE (Red) wire to its terminal first, followed by the NEGATIVE (Black) wire. Be certain that the wires are connected to the correct terminals; reversing them could result in serious damage to your engine's alternating system.

# SERVICE AND MAINTENANCE

## CLEANING THE TRACTOR

Any fuel or oil spilled on the machine should be wiped off promptly. Do NOT allow debris to accumulate around the cooling fins of the engine, the transmission's cooling fan or on any other part of the machine, especially the belts and pulleys.

### Deck Wash System

Your tractor's deck is equipped with a water port on its surface as part of its deck wash system.

Use the deck wash to rinse grass clippings from the deck's underside and prevent the buildup of corrosive chemicals. Complete the following steps AFTER EACH MOWING:

1. Drive the tractor to a level, clear spot on your lawn, near enough for your garden hose to reach.

### ⚠ CAUTION

Make certain the tractor's discharge chute is directed AWAY from your house, garage, parked cars, etc.

2. Disengage the PTO (Blade Engage), set the parking brake and stop the engine.
3. Thread the hose coupler (packaged with your tractor's Operator's Manual) onto the end of your garden hose.
4. Attach the hose coupler to the water port on your decks surface. See Figure 24.

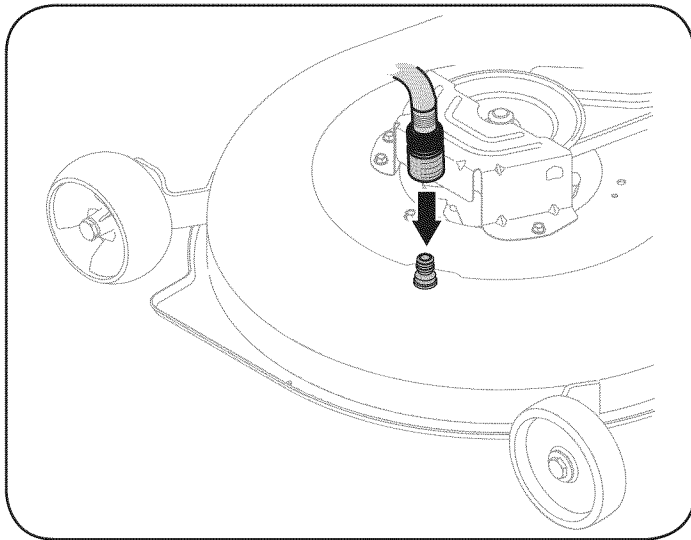


Figure 24

5. Turn the water on.
6. While sitting in the operator's position on the tractor, start the engine and place the throttle lever in the FAST (rabbit) position.
7. Move the tractor's PTO (Blade Engage) into the ON position.
8. Remain in the operator's position with the cutting deck engaged for a minimum of two minutes, allowing the underside of the cutting deck to thoroughly rinse.
9. Move the tractor's PTO (Blade Engage) into the OFF position.
10. Turn the ignition key to the STOP position to turn the tractor's engine off.

11. Turn the water off and detach the hose coupler from the water port on your deck's surface.

After cleaning your deck, return to the operator's position and engage the PTO. Keep the cutting deck running for a minimum of two minutes, allowing the underside of the cutting deck to thoroughly dry.

## LUBRICATION

### ⚠ WARNING

Before lubricating, repairing, or inspecting, always disengage PTO, set parking brake, stop engine and remove key to prevent unintended starting.

### Front Wheels

Each of the front wheel axles and rims is equipped with a grease fitting. See Figure 25. Lubricate with a No. 2 multi-purpose grease applied with a grease gun after every 25 hours of tractor operation.

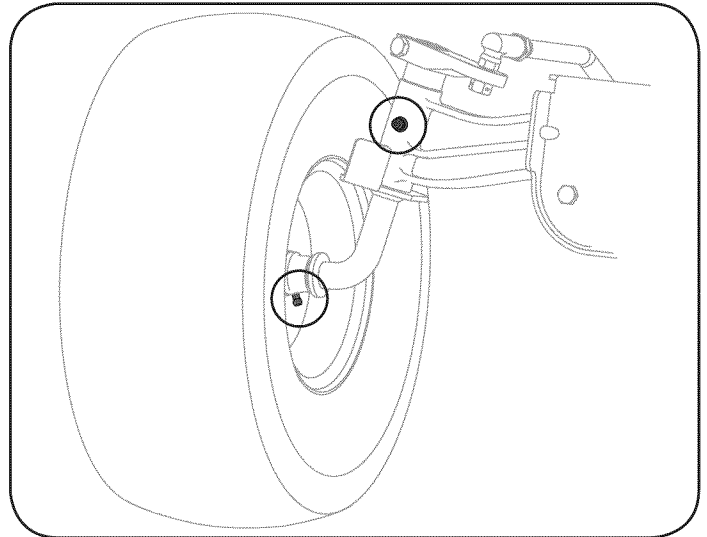


Figure 25

### Pivot Points & Linkage

Lubricate all the pivot points on the drive system, parking brake and lift linkage at least once a season with light oil.

### Deck Wheels

Each of the tractor deck's front gauge wheels is equipped with a grease fitting. Lubricate with a No. 2 multi-purpose grease applied with a grease gun after every 25 hours of tractor operation.

# SERVICE AND MAINTENANCE

## Deck Spindle

Grease fittings can be found on each deck spindle. See Figure 26. Lubricate with 251H EP grease or an equivalent No. 2 multi-purpose lithium grease. Using a grease gun, apply two strokes (minimum) or sufficient grease to the spindle shaft.

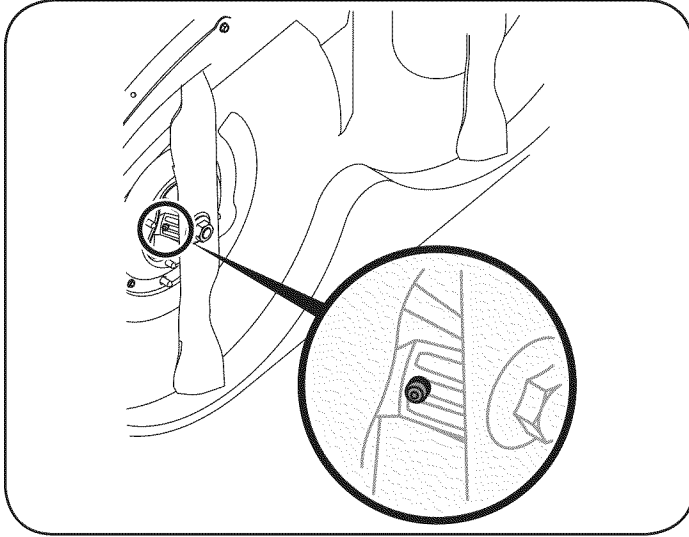


Figure 26

## ADJUSTMENTS

### ⚠ WARNING

Shut the engine off, remove the ignition key and engage the parking brake before making adjustments. Protect your hands by using heavy gloves when handling the blades.

**NOTE:** Check the tractor's tire pressure before performing any deck leveling adjustments. Refer to Tires on page 24 for information regarding tire pressure.

### Leveling the Deck (Front To Rear)

The front of the cutting deck is supported by a stabilizer bar that can be adjusted to level the deck from front to rear. The front of the deck should be between 1/4-inch and 3/8-inch lower than the rear of the deck. Adjust if necessary as follows:

1. Park the tractor on a firm, level surface and place the deck lift lever in the middle position.
2. Rotate the blade nearest the discharge chute cover so that it is parallel with the tractor.
3. Measure the distance from the front of the blade tip to the ground and the rear of the blade tip to the ground. The first measurement taken should be between 1/4" and 3/8" less than the second measurement.

Determine the approximate distance necessary for proper adjustment and proceed, if necessary.

1. To **raise** the front of the deck, tighten (thread inward) the lock nut against the front hanger bracket. See Figure 27.
2. To **lower** the front of the deck, loosen (thread outward) the lock nut, away from the front hanger bracket. See Figure 27.

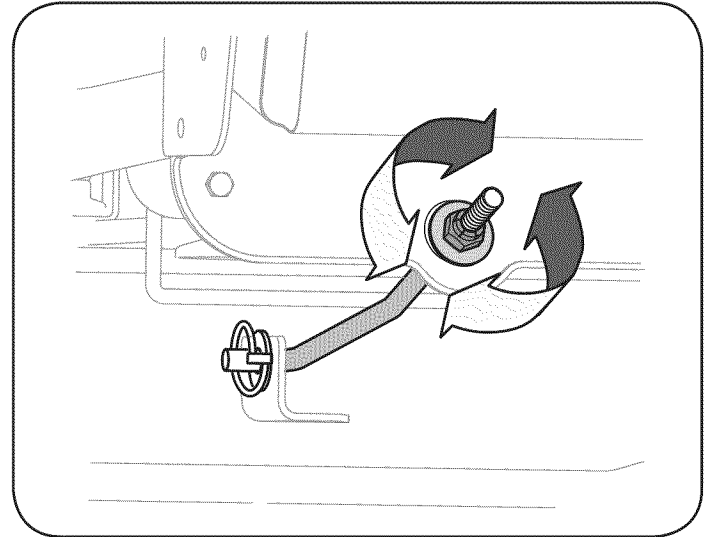


Figure 27

### Leveling the Deck (Side to Side)

If the cutting deck appears to be mowing unevenly, a side to side adjustment can be performed. Adjust if necessary as follows:

1. With the tractor parked on a firm, level surface, place the deck lift lever in the middle position and rotate both blades so that they are perpendicular with the tractor.
2. Measure the distance from the outside of the left blade tip to the ground and the distance from the outside of the right blade tip to the ground. Both measurements taken should be equal. If they're not, proceed to the next step.

# SERVICE AND MAINTENANCE

- Loosen, but do NOT remove, the hex bolt on the left deck hanger bracket. See Figure 28.

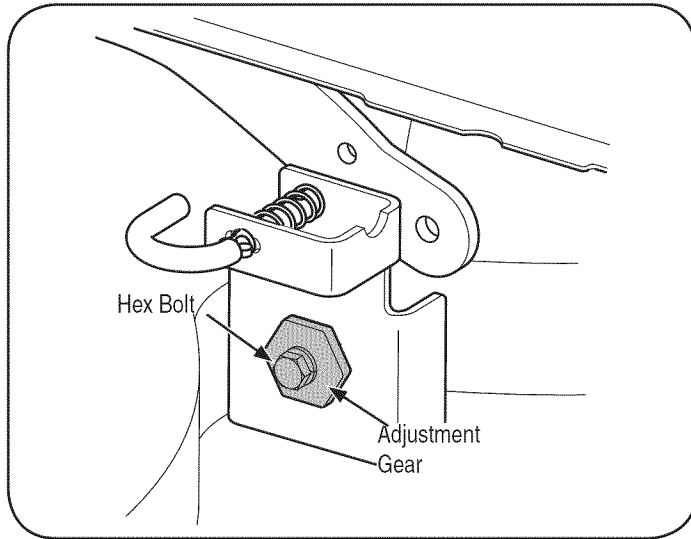


Figure 28

- Using a wrench, raise or lower the left side of the deck by turning the adjustment gear. See Figure 28.

The deck is properly leveled when both blade tip measurements taken earlier are equal. Retighten the hex bolt on the left deck hanger bracket when proper adjustment is achieved.

## Parking Brake Adjustment

If the tractor does not come to a complete stop when the brake pedal is completely depressed, or if the tractor's rear wheels can roll with the parking brake applied (and the transmission relief valve open), the brake is in need of adjustment. See a Sears or other qualified service dealer to have the brake properly adjusted.

## Adjusting the Seat

Refer to the Assembly section of this manual for seat adjustment instructions.

### **WARNING**

Before operating the tractor, make sure the seat is engaged in the seat-stop. Engage the parking brake. Stand behind the machine and pull back on seat until it clicks into place.

## Steering Adjustment

If the tractor turns tighter in one direction than the other, or if the ball joints are being replaced due to damage or wear, the steering drag links may need to be adjusted.

Adjust the drag links so that equal lengths of each are threaded into the ball joint on the left side and the ball joint on the right side:

- Remove the hex nut below the ball joint. See Figure 29.

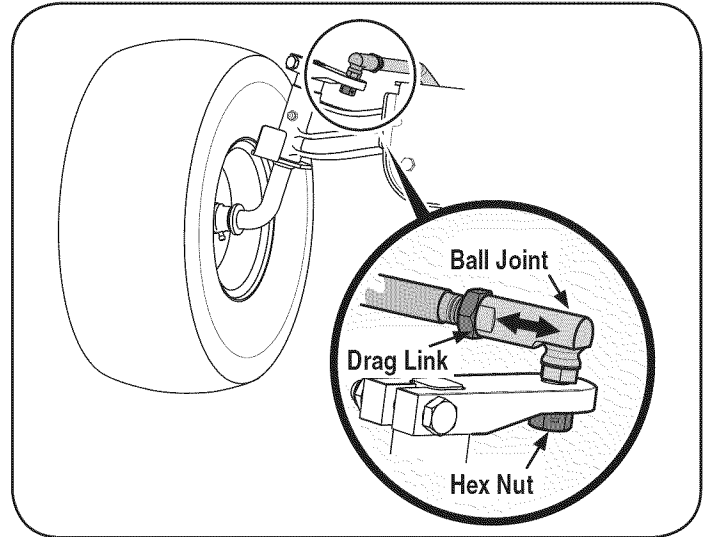


Figure 29

- Thread the ball joint inward to shorten the drag link. Thread the ball joint outward to lengthen the drag link.
- Replace the hex nut after proper adjustment is achieved.

**NOTE:** Threading the ball joints too far onto the drag links will cause the front tires to "toe-in" too far. Proper toe-in is between 1/16" and 5/16".

- Front tire toe-in can be measured as follows:
  - Place the steering wheel in position for straight ahead travel.
  - In front of the axle, measure the distance horizontally from the inside of the left rim to the inside of the right rim. Note the distance.
  - Behind the axle, measure the distance horizontally from the inside of the left rim to the inside of the right rim. Note the distance.
  - The measurement taken in front of the axle should be between 1/16" and 5/16" less than the measurement taken behind the axle.

# OFF-SEASON STORAGE

## WARNING

Never store lawn tractor with fuel in tank indoors or in poorly ventilated areas where fuel fumes may reach an open flame, spark, or pilot light as on a furnace, water heater, clothes dryer, or gas appliance.

## PREPARING THE ENGINE

**IMPORTANT:** Fuel left in the fuel tank during warm weather deteriorates and will cause serious starting problems.

To prevent gum deposits from forming inside the engine's carburetor and causing possible malfunction of the engine, the fuel system must be either completely emptied, or the gasoline must be treated with a stabilizer to prevent deterioration.

If using a fuel stabilizer:

- a. Read the product manufacturer's instructions and recommendations.
- b. Add to clean, fresh gasoline the correct amount of stabilizer for the capacity of the fuel system.
- c. Fill the fuel tank with treated fuel and run the engine for 2-3 minutes to get stabilized fuel into the carburetor.

If emptying the fuel system:

- a. Do not drain fuel when the engine is hot. Allow the engine adequate time to cool. Drain fuel into an approved container outdoors, away from open flame.
- b. Drain any large volume of fuel from the tank by disconnecting the fuel line from the in-line fuel filter near the engine. See To Drain the Fuel on page 26.

## WARNING

Gasoline is extremely flammable and can be explosive under certain conditions. Drain gasoline before storing the equipment for extended periods. Drain fuel only into an approved container outdoors, away from an open flame. Allow engine to cool. Extinguish cigarettes, cigars, pipes, and other sources of ignition prior to draining fuel. Store gasoline in an approved container in safe location.

- c. Reconnect the fuel line and run the engine until it starts to falter, then use the choke to keep the engine running until all fuel in the carburetor has been exhausted.
- d. Disconnect the fuel line and drain any remaining gasoline from the system.

## WARNING

Gasoline is a toxic substance. Dispose of gasoline properly. Contact your local authorities for approved disposal methods.

Remove the spark plug and pour one (1) ounce of engine oil through the spark plug hole into the cylinder. Crank the engine several times to distribute the oil. Replace the spark plug.

## PREPARING THE LAWN TRACTOR

- Clean and lubricate tractor thoroughly as described in the lubrication instructions.
- Do not use a pressure washer or garden hose to clean your unit.
- Store mower in a dry, clean area. Do not store next to corrosive materials, such as fertilizer.

# TROUBLESHOOTING

## WARNING

Before performing any type of maintenance/service, disengage all controls and stop the engine. Wait until all moving parts have come to a complete stop. Disconnect spark plug wire and ground it against the engine to prevent unintended starting. Always wear safety glasses during operation or while performing any adjustments or repairs.

This section addresses minor service issues. To locate the nearest Sears Service Center or to schedule service, simply contact Sears at 1-800-4-MY-HOME®.

Problem	Cause	Remedy
Engine fails to start	<ol style="list-style-type: none"> <li>1. PTO/Blade Engage knob engaged.</li> <li>2. Parking brake not engaged.</li> <li>3. Spark plug wire disconnected.</li> <li>4. Throttle/Choke control lever not in correct starting position.</li> <li>5. Fuel tank empty, or stale fuel.</li> <li>6. Blocked fuel line.</li> <li>7. Faulty spark plug.</li> <li>8. Engine flooded.</li> </ol>	<ol style="list-style-type: none"> <li>1. Place knob in disengaged (OFF) position.</li> <li>2. Engage parking brake.</li> <li>3. Connect wire to spark plug.</li> <li>4. Place Throttle/Choke lever to FAST position.</li> <li>5. Fill tank with clean, fresh (less than 30 days old) gas.</li> <li>6. Replace fuel line. See a Sears or other qualified service dealer. Replace fuel filter. See the Service and Maintenance section.</li> <li>7. Clean, adjust gap or replace plug.</li> <li>8. Crank engine with throttle in FAST position.</li> </ol>
Engine runs erratically	<ol style="list-style-type: none"> <li>1. Tractor running with Choke activated.</li> <li>2. Spark plug wires loose.</li> <li>3. Blocked fuel line or stale fuel.</li> <li>4. Vent in gas cap plugged.</li> <li>5. Water or dirt in fuel system.</li> <li>6. Dirty air cleaner.</li> </ol>	<ol style="list-style-type: none"> <li>1. Move the Throttle/Choke control lever out of the choke position.</li> <li>2. Connect and tighten spark plug wires.</li> <li>3. Replace fuel line. See a Sears or other qualified service dealer. Fill tank with clean, fresh gasoline and replace fuel filter. See the Service and Maintenance section.</li> <li>4. Clear vent or replace cap if damaged.</li> <li>5. Drain fuel tank. Refill with clean, fresh gasoline. See the Service and Maintenance section.</li> <li>6. Replace air cleaner paper element or clean foam pre-cleaner.</li> </ol>
Engine overheats	<ol style="list-style-type: none"> <li>1. Engine oil level low</li> <li>2. Air flow restricted</li> </ol>	<ol style="list-style-type: none"> <li>1. Fill engine with proper amount and type of oil.</li> <li>2. Clean grass clippings and debris from around the engine's cooling fins and blower housing.</li> </ol>
Engine hesitates at high RPMs	<ol style="list-style-type: none"> <li>1. Spark plug gap set too close</li> </ol>	<ol style="list-style-type: none"> <li>1. Remove spark plug and adjust gap.</li> </ol>
Engine idles poorly	<ol style="list-style-type: none"> <li>1. Fouled spark plug</li> <li>2. Dirty air cleaner</li> </ol>	<ol style="list-style-type: none"> <li>1. Replace spark plug and adjust gap.</li> <li>2. Replace air cleaner element and/or clean pre-cleaner.</li> </ol>
Excessive vibration	<ol style="list-style-type: none"> <li>1. Cutting blades loose or unbalanced</li> <li>2. Damaged, dull, or bent cutting blade</li> </ol>	<ol style="list-style-type: none"> <li>1. Tighten blade and spindle. Balance blade.</li> <li>2. Replace blade.</li> </ol>

# TROUBLESHOOTING

Mower will not mulch grass	<ol style="list-style-type: none"> <li>1. Engine speed too low.</li> <li>2. Wet grass.</li> <li>3. Excessively high grass.</li> <li>4. Dull blade.</li> </ol>	<ol style="list-style-type: none"> <li>1. Place Throttle/Choke control in FAST (rabbit) position.</li> <li>2. Do not mulch when grass is wet.</li> <li>3. Mow once at a high cutting height, then mow again at desired height or make a narrower cutting swath.</li> <li>4. Sharpen or replace blade.</li> </ol>
Uneven cut	<ol style="list-style-type: none"> <li>1. Deck not leveled properly.</li> <li>2. Dull blade.</li> <li>3. Uneven tire pressure.</li> </ol>	<ol style="list-style-type: none"> <li>1. Perform side-to-side deck adjustment.</li> <li>2. Sharpen or replace blade.</li> <li>3. Check tire pressure in all four tires.</li> </ol>

## NEED MORE HELP?

You'll find the answer and more on [managemyhome.com](http://managemyhome.com) – for free!

- Find this and all your other product manuals online.
- Get answers from our team of home experts.
- Get a personalized maintenance plan for your home.
- Find information and tools to help with home projects.

**manage my home**

brought to you by Sears



# REPAIR PROTECTION AGREEMENT

Congratulations on making a smart purchase. Your new Craftsman® product is designed and manufactured for years of dependable operation. But like all products, it may require repair from time to time. That's when having a Repair Protection Agreement can save you money and aggravation.

Here's what the Repair Protection Agreement\* includes:

- **Expert service** by our 10,000 professional repair specialists
- **Unlimited service and no charge** for parts and labor on all covered repairs
- **Product replacement** up to \$1500 if your covered product can't be fixed
- **Discount of 10%** from regular price of service and related installed parts not covered by the agreement; also, 10% off regular price of preventive maintenance check
- **Fast help by phone** – we call it Rapid Resolution – phone support from a Sears representative. Think of us as a “talking owner's manual.”

Once you purchase the Agreement, a simple phone call is all that it takes for you to schedule service. You can call anytime day or night, or schedule a service appointment online.

The Repair Protection Agreement is a risk-free purchase. If you cancel for any reason during the product warranty period, we will provide a full refund. Or, a prorated refund anytime after the product warranty period expires. Purchase your Repair Protection Agreement today!

**Some limitations and exclusions apply. For prices and additional information in the U.S.A. call 1-800-827-6655.**

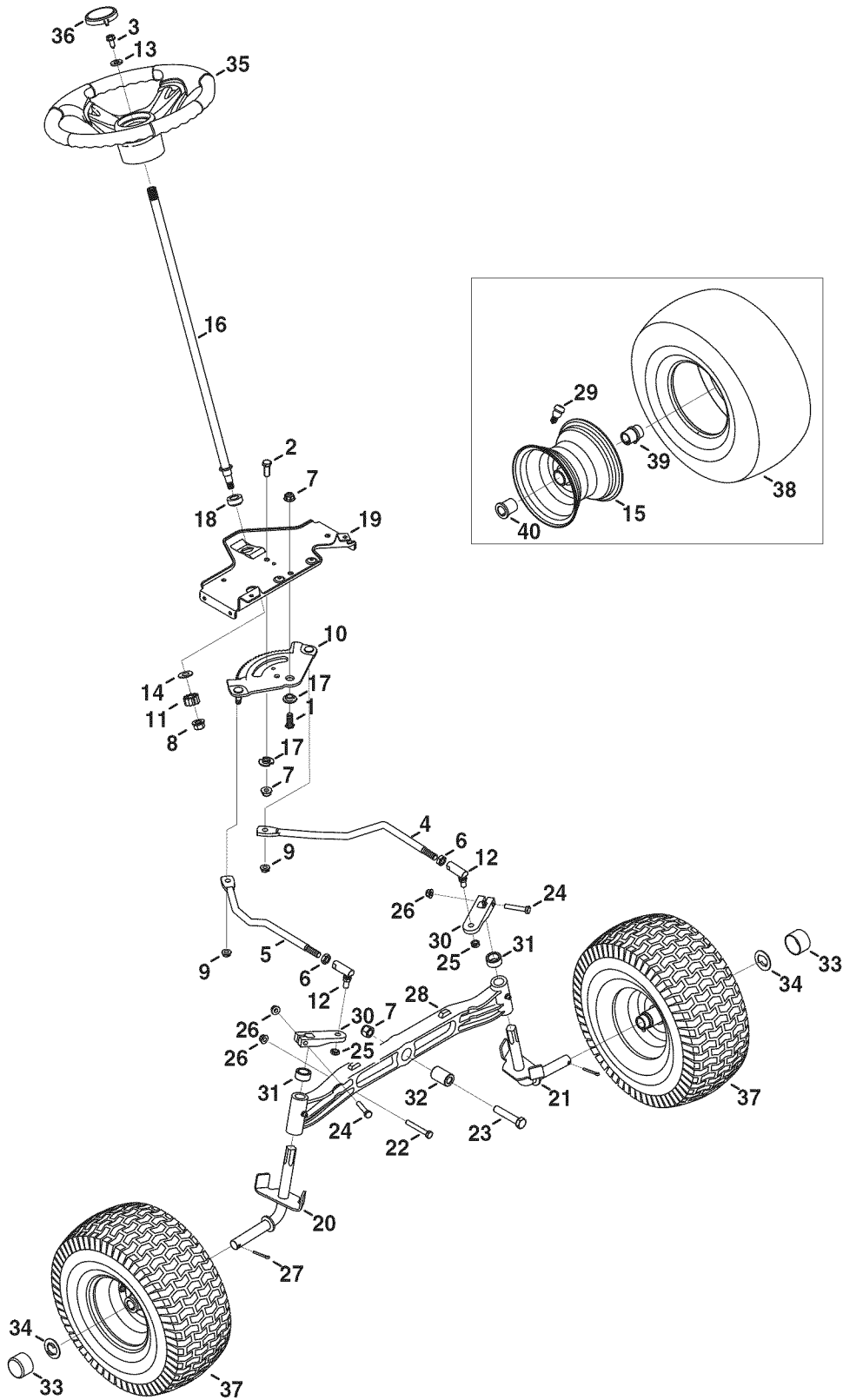
**\*Coverage in Canada varies on some items. For full details call Sears Canada at 1-800-361-6665.**

## **Sears Installation Service**

For Sears professional installation of home appliances, garage door openers, water heaters, and other major home items, in the U.S.A. or Canada call **1-800-4-MY-HOME®**.

# PARTS LIST

Steering and Axle — Model No. 247.28980



# PARTS LIST

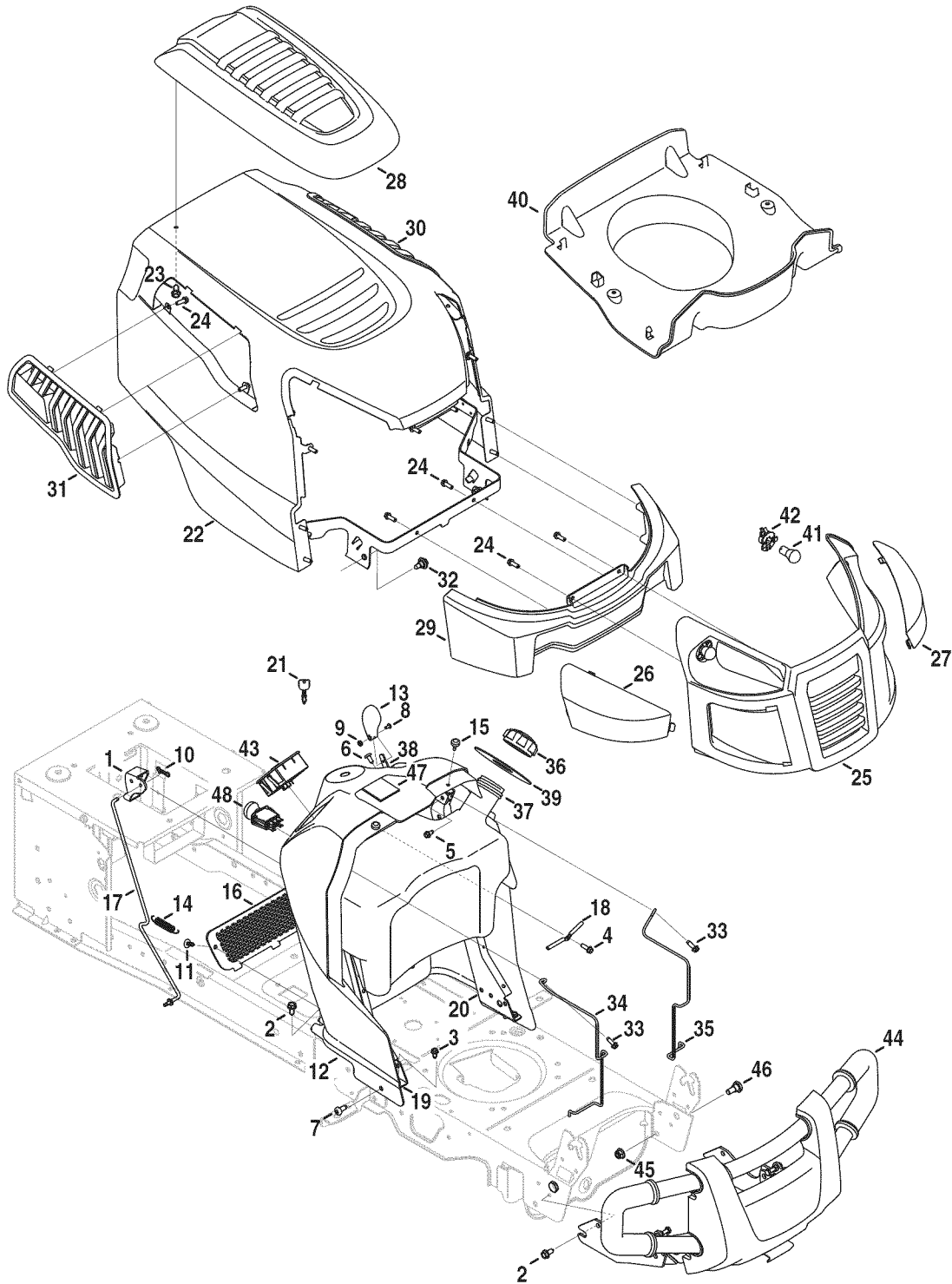
## Steering and Axle — Model No. 247.28980

Ref. No.	Part No.	Description
1	710-04095	Hex Head Screw, 3/8-16:1.00
2	710-0514	Hex Head Screw, 3/8-16:1.00
3	710-0643	Hex Head Screw, 5/16-18:1.00
4	711-04998	LH Drag Link
5	711-04999	RH Drag Link
6	912-0240	Jam Nut, 7/16-20
7	712-04065	Flangelock Nut, 3/8-16
8	712-0459	Flangelock Nut, 7/16-20
9	712-3004A	Flangelock Nut, 5/16-18
10	717-1550F	Steering Gear
11	717-1554	Steering Pinion Gear
12	923-0448A	Ball Joint, 7/16-20
13	936-3004	Flat Washer, .406 X .875 X .105
14	736-3084	Flat Washer, .51 X 1.12 X .06:HT
15	634-04405-4042	Rim Assembly
16	738-04263	Steering Shaft, .625 OD X 24.25 LG
17	738-04363	Shoulder Spacer, .385X 1.25 X .3025
18	741-04237B	Hex Flange Bearing 5/8 PM
19	783-06043-0637	Steering Support Bracket
20	638-04021-0637	RH Axle Assembly

Ref. No.	Part No.	Description
21	638-04027-0637	LH Axle Assembly
22	710-0395	Hex Head Screw, 5/16-18:2.25
23	710-0859	Hex Head Screw, 3/8-16:2.50
24	710-3180	Hex Head Screw, 5/16-18:1.75
25	912-0214	Hexlock Nut, 3/8-24
26	712-04063	Flangelock Nut, 5/16-18
27	714-0162	Cotter Pin, 5/32:1.25
28	719-04413A	Pivot Bar Axle
29	934-0255	Tubeless Air Valve
30	748-04065-0637	Steering Block
31	748-04068	Spacer, .71 ID X .125 OD X .56LG
32	750-05280	Spacer, .385 X 1.00 X 1.5075
33	731-05674	Bumper Cap
34	736-04228A	Flat Washer, .781ID x 1.590OD
35	631-04415	Steering Wheel
36	731-06825	Steering Wheel Cap
37	634-04406-0961	Wheel Assembly
38	734-1731-0901	Tire
39	741-0990B	Flange Bearing, .760ID
40	741-0516B	Flange Bearing, .760 x 1.00 x 1.20LG

# PARTS LIST

Hood and Dash — Model No. 247.28980



# PARTS LIST

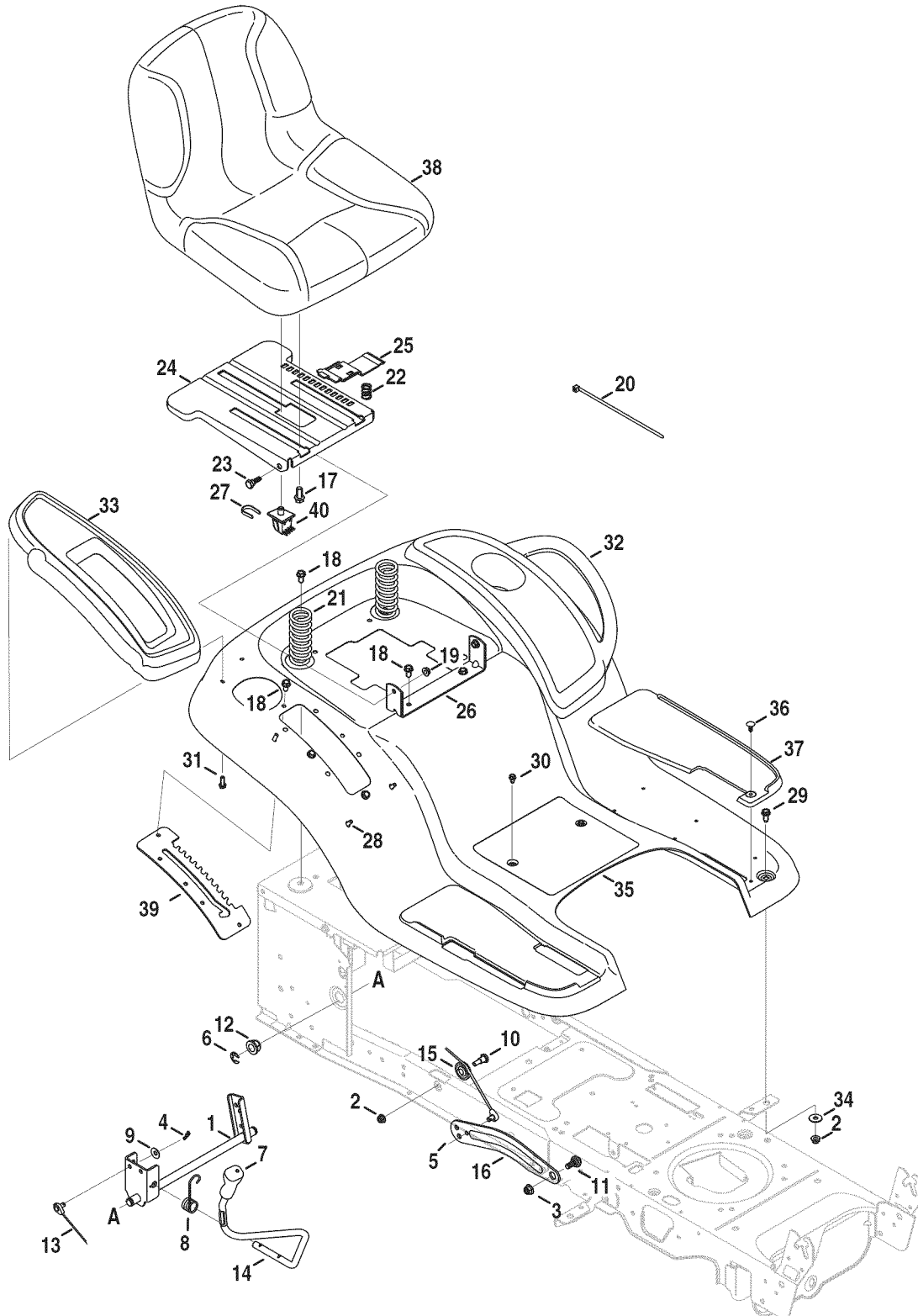
## Hood and Dash — Model No. 247.28980

Ref. No.	Part No.	Description
1	631-04353P	Dash Lever
2	710-04484	Taptite Screw, Lock Washer, 5/16-18:.750
3	710-0599	Taptite Screw, Lock Washer, 1/4-20:0.500
4	710-0895	Hi-Lo Screw, Lock Washer, 1/4-15:0.750
5	710-0896	Screw, Lock Washer, 1/4-14:0.625
6	710-1017	Screw, 1/4-14:0.625
7	710-1611B	Taptite Screw, 5/16-18:0.750
8	710-3217	Machine Screw, #8-32:0.375
9	712-0142	Hex Nut, #8-32:GRA
10	714-04040	Bow-tie Cotter Pin
11	726-3046	Ratchet Clip:.250 DIA
12	731-07456	Dash
13	731-07550	Control Knob
14	732-04580	Extension Spring, .500 DIA X 2.733 LG
15	735-0271A	Bumper
16	735-04076	Accessory Net
17	747-05280	Control Rod Latch
18	747-1196	Lever Rod
19	783-04285F-0637	RH Dash Support Plate
20	783-04323F-0637	LH Dash Support Plate
21	625-04124	Keys (Set of 2)
22	683-04618-0691	Hood Assembly
23	710-04187	Hi-lo Screw, Lock Washer, 1/4-15:0.50
24	710-05108	Screw, Lock Washer, 1/4 DIA:.750

Ref. No.	Part No.	Description
25	931-07457	Grill
26	731-07458	RH Lens
27	731-07459	LH Lens
28	931-07461	Hood Scoop
29	731-07467	Lower Grill
30	731-07469	LH Hood Scoop
31	731-07470	RH Hood Scoop
32	738-04091A	Shoulder Screw, .43X.29:TT:5/16-18
33	710-0642	Taptite Screw, 1/4-20:0.750
34	747-05049	RH Tank Support Rod
35	747-05050	LH Tank Support Rod
36	751-0603A	Fuel Cap
37	951-10573	Fuel Tank, 2.75 Gallons
38	946-04556	Throttle/Choke Control
39	735-04170	Fuel Tank Gasket
40	731-07495	P-Style Plen
41	925-0963	Miniature Lamp, 12V
42	925-1649	Lamp Socket
43	725-04992	Switch Key Module
44	689-00157	Guard Assembly
45	712-04065	Flangelock Nut, 3/8-16
46	738-0143	Shoulder Bolt, .496 x .336:3/8-16
47	925-04036C	Hour Meter
48	725-04258	PTO Switch

# PARTS LIST

Seat and Fender — Model No. 247.28980



# PARTS LIST

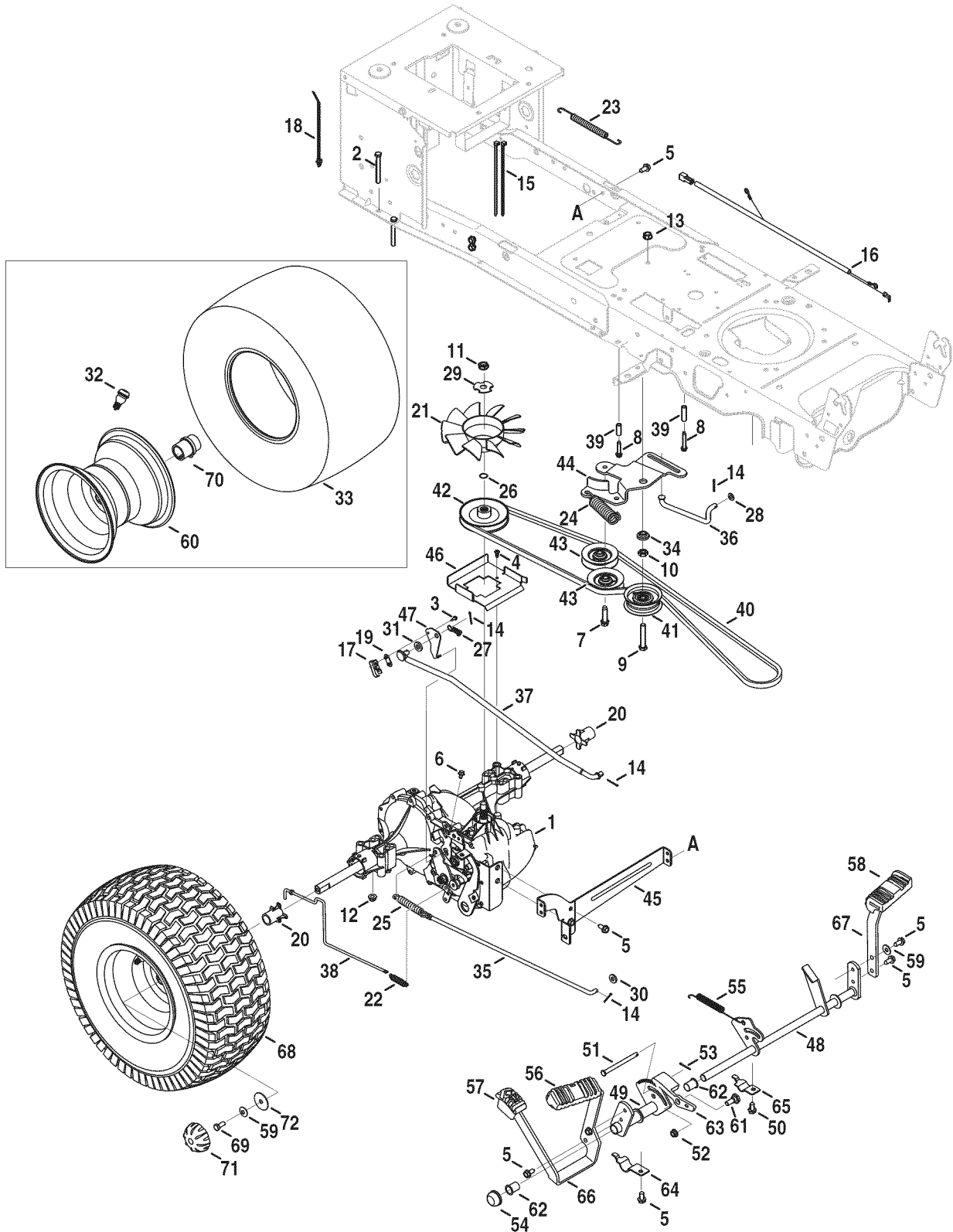
## Seat and Fender — Model No. 247.28980

Ref. No.	Part No.	Description
1	683-04223-0637	Lift Shaft Assembly
2	712-04063	Flangelock Nut, 5/16-18
3	712-04065	Flangelock Nut, 3/8-16
4	914-0104	Cotter Pin, .072 DIA. X 1.13 LG
5	714-04040	Bow-Tie Cotter Pin
6	716-0106A	E-Ring, .625 DIA. SHAFT
7	720-04150	Handle Grip
8	732-0874	Torsion Spring
9	736-0105	Spring Washer, .401 X .870 X .063
10	738-0138A	Shoulder Screw, .437 X .470:5/16-18
11	738-04130	Shoulder Bolt, .625X.175:3/8-16
12	941-0225	Hex Flange Bearing
13	746-0968	Lift Cable, 16.16 LG
14	747-04962A	Lift Handle
15	756-04331	Pulley Roller Cable
16	783-04494C-0637	RH Lift Arm
—	783-04711C-0637	LH Lift Arm
17	710-04482	Hex Head Flange, 3/8-16:.875
18	710-04484	Taptite Screw, Lock Washer, 5/16-18:.750
19	712-3004A	Flangelock Nut, 5/16-18
20	725-0157	Cable Tie, 3/16 X .05 X 7.4

Ref. No.	Part No.	Description
21	732-04561	Compression Spring, 1.71 X 3.735 X .238
22	732-04563	Compression Spring, .68 X 1.065 X .055
23	938-0296	Shoulder Screw, .437 X .268:5/16-18
24	783-06049-0691	Seat Mounting Bracket
25	783-06050	Seat Adjustment Lever
26	783-06088-0691	Seat Pivot Bracket
27	783-06448	Switch Retainer Clip
28	710-04187	Hi-Lo Screw, Lock Washer, 1/4-15:0.50
29	710-0451	Carriage Bolt, 5/16-18:.750
30	710-0599	Taptite Screw, Lock Washer, 1/4-20:0.500
31	710-0895	Hi-Lo Screw, Lock Washer, 1/4-15:0.750
32	731-05837	LH Fender Cover
33	731-06754	RH Fender Cover
34	736-3078	Flat Washer, .344 X 1.00 X .063 HDN
35	783-06118-0691	Fender
36	726-3046	Ratchet Clip
37	735-04137	LH Foot Pad
—	735-04139	RH Foot Pad
38	757-04127	Seat
39	783-06181-0637	Lift Bracket
40	925-05013	Seat Switch

# PARTS LIST

Drive and Rear Wheels — Model No. 247.28980





# PARTS LIST

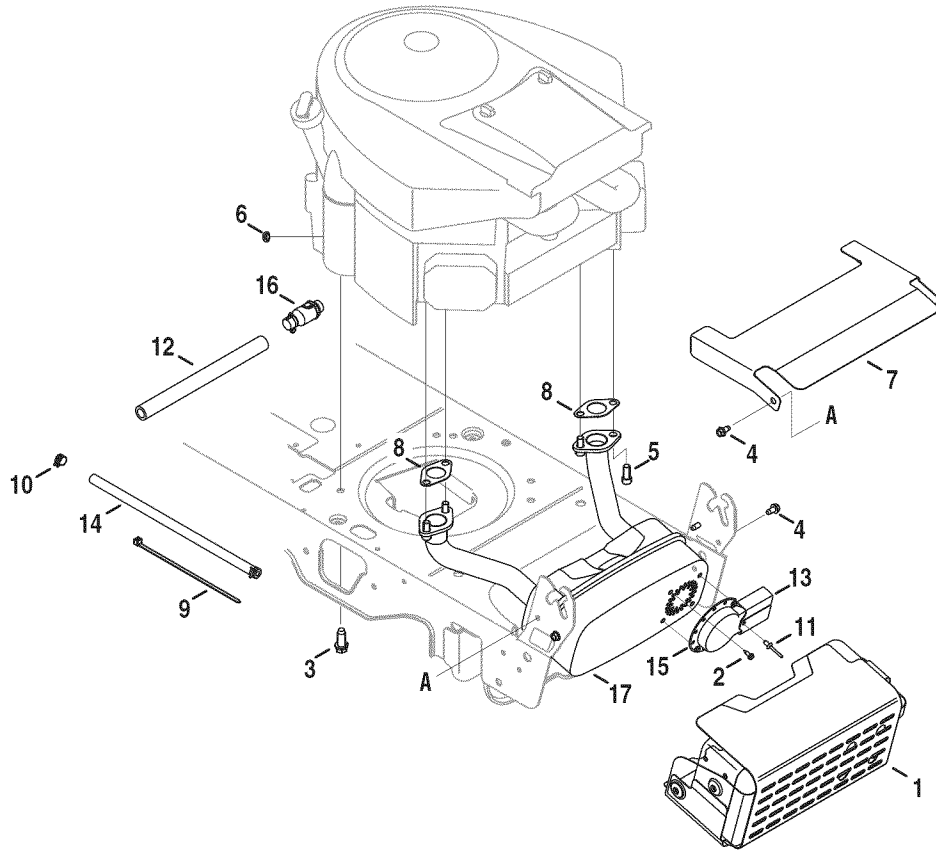
## Drive and Rear Wheels — Model No. 247.28980

Ref. No.	Part No.	Description
1	918-0319	Hydro Transmission
2	710-0176	Hex Head Screw, 5/16-18:2.75
3	710-0227	Screw, Indented Washer, #8-18:0.500
4	710-0351	Screw, #10-16:0.500
5	710-04484	Taptite Screw, Indented Washer, 5/16-18:.750
6	710-0653	Taptite Screw, Indented Washer, 1/4-20:0.375
7	710-1007	Taptite Sems Screw, :3/8-16:1.500
8	710-1325	Taptite Screw, Indented Washer, 1/4-20:1.625
9	710-3011	Hex Head Screw, 3/8-16:2.25
10	912-0240	Jam Nut, 7/16-20
11	912-0346	Jamlock Nut, 1/2-20
12	712-04063	Flangelock Nut, 5/16-18
13	912-0431	Flangelock Nut, 3/8-16
14	914-0111	Cotter Pin, 3/32:1.0
15	725-0157	Cable Tie. 3/16 X .05 X 7.4
16	725-04791A	Jumper Harness
17	725-1644	Short Spring Switch
18	926-0154	Push Mount Cable Tie 7.5 LG
19	926-0320	Insulator Nut Plate
20	731-05299A	Sleeve, .765 ID X 1.500 LG
21	731-06098	Hydro Fan
22	932-0209	Extension Spring, .48 OD X 2.03
23	732-04606	Extension Spring, .500 DIA X 12.6 LG
24	732-04624	Extension Spring, 1.00 DIA X 4.75
25	732-0716D	Extension Spring, .59 OD X 4.00 LG
26	732-0729	Wire Ring
27	732-3118	Extension Spring, .375 OD X 1.44 LG
28	936-0264	Flat Washer, .330 X .630 X .0635
29	736-04263	Lock Washer
30	936-3008	Flat Washer, .344 X .750 X .120
31	736-3010	Flat Washer, .407 X .812 X .135
32	934-0255	Tubeless Air Valve
33	734-1730-0901	Tire
34	738-04420	Shoulder Spacer, 1.375 X .380 X .183
35	747-04139	Brake Rod
36	747-04957A	Footpedal Bypass Transmission Rod

Ref. No.	Part No.	Description
37	747-04979	Hydro Control Rod
38	747-04991	Hydro Bypass Rod
39	750-04456	Spacer, 260 X .372 X 1.420 LG
40	954-04207	V-Belt, 4L X 78.9 POLY
41	756-04224	Flat Idler Pulley, 2.75 OD
42	756-04308	Input Pulley, 4.13 DIA
43	756-04325	V Idler Pulley, X 3.06
44	783-06027A	Center Idler Bracket
45	783-06133-0637	Hydro Mounting Bracket
46	783-06260-0637	Belt Disengage Support Bracket
47	783-1019B	Switch Actuator Bracket
48	647-04152A	Brake Control Assembly
49	683-04488	Hydro Pedal Bracket Assembly
50	710-0604A	Taptite Screw, Indented Washer, 5/16-18:0.625
51	711-05068	Clevis Pin, 5/16 X 3.985
52	712-04065	Flangelock Nut, 3/8-16
53	714-04040	Bow-Tie Cotter Pin
54	726-0214	Push Cap
55	732-04587	Extension Spring, .63 DIA X 4.95 LG
56	735-04118A	Forward Pedal Pad
57	735-04135	Reverse Pedal Pad
58	735-04136	Brake Pedal Pad
59	736-0242	Bell Washer, .340 X .872 X .060
60	634-04369-4042	Rim Assembly
61	938-0380	Shoulder Bolt, .500 X .270:3/8-16
62	741-0495	Flange Bearing, .630 ID X .695 OD X .60
63	748-04203	Cruise Latch
64	783-05914	Pedal Support Bracket
65	783-05940	Pedal Support Bracket, 5/8
66	783-06059-0637	Drive Pedal Bracket
67	783-06103A-0637	Brake Pedal Bracket
68	634-0104-0961	Wheel Assembly
69	710-0627	Hex Head Screw, 5/16-24:.750
70	750-0204	Axle Hub
71	731-2290A	Hub Cap
72	736-0430	Flat Washer, .350 x 1.59 x .062

# PARTS LIST

Engine Accessories — Model No. 247.28980



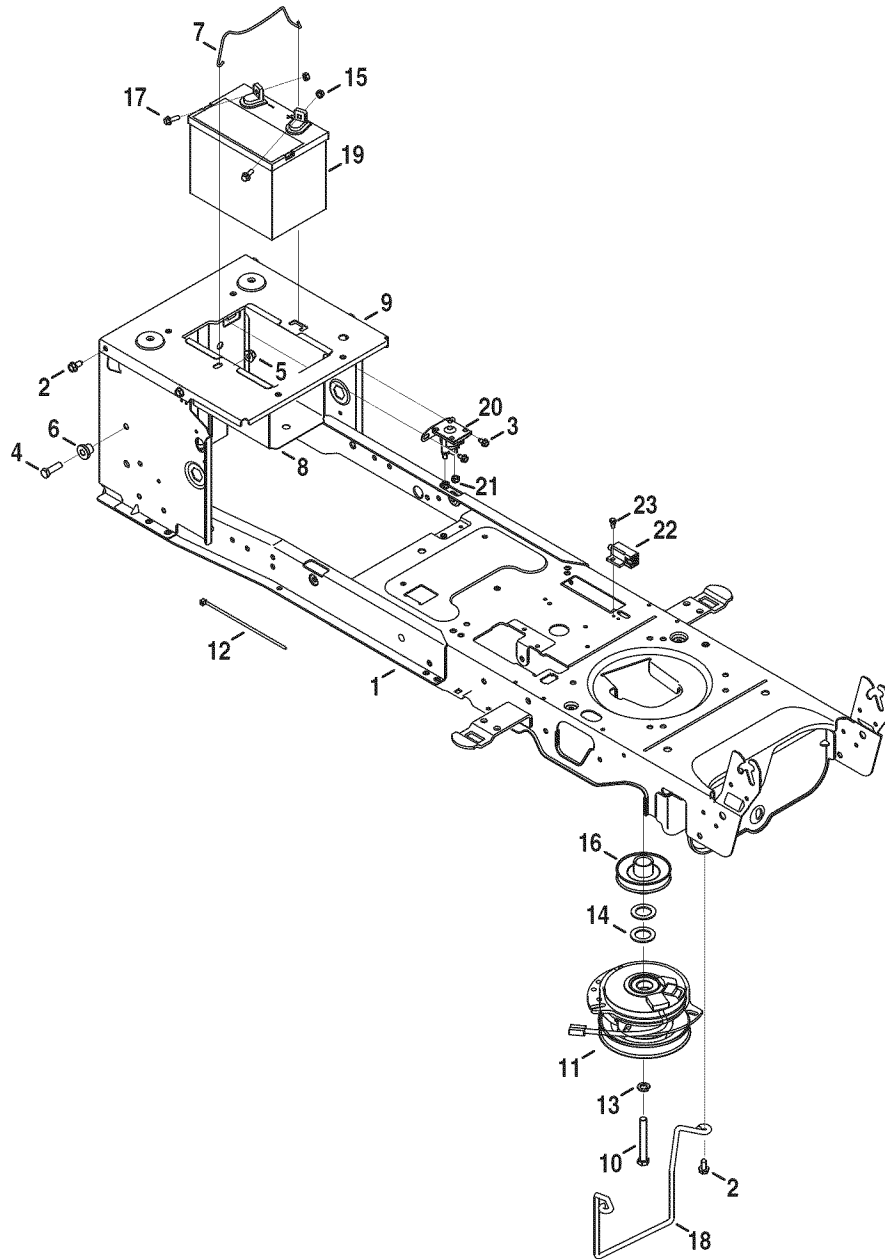
# PARTS LIST

## Engine Accessories — Model No. 247.28980

Ref. No.	Part No.	Description
1	683-04549-0637	Muffler Shield Assembly
2	710-0227	Screw, Indented Washer, #8-18:0.500
3	710-04683	Taptite Screw, Indented Washer, 3/8-16:1.000
4	710-0599	Taptite Screw, Indented Washer, 1/4-20:0.500
5	710-1314A	Socket Head Screw, 5/16-18:.750
6	712-0271	Sems Nut, 1/4-20
7	783-06378A	Heat Shield
8	721-0460	Exhaust Gasket
9	725-0157	Cable Tie, 3/16 X .05 X 7.4
10	726-0205	Hose Clamp, .490 DIA.
11	728-04000	Rivet, .188 DIA X .300 L
12	751-3141-14	Oil Drain Extension Hose
13	751-0564B	Muffler Deflector
14	751-10349	Fuel Hose
15	751-10353	Long Muffler Deflector
16	951-10517A	Oil Drain
17	751-10542A	Muffler Deflector

# PARTS LIST

PTO and Battery — Model No. 247.28980



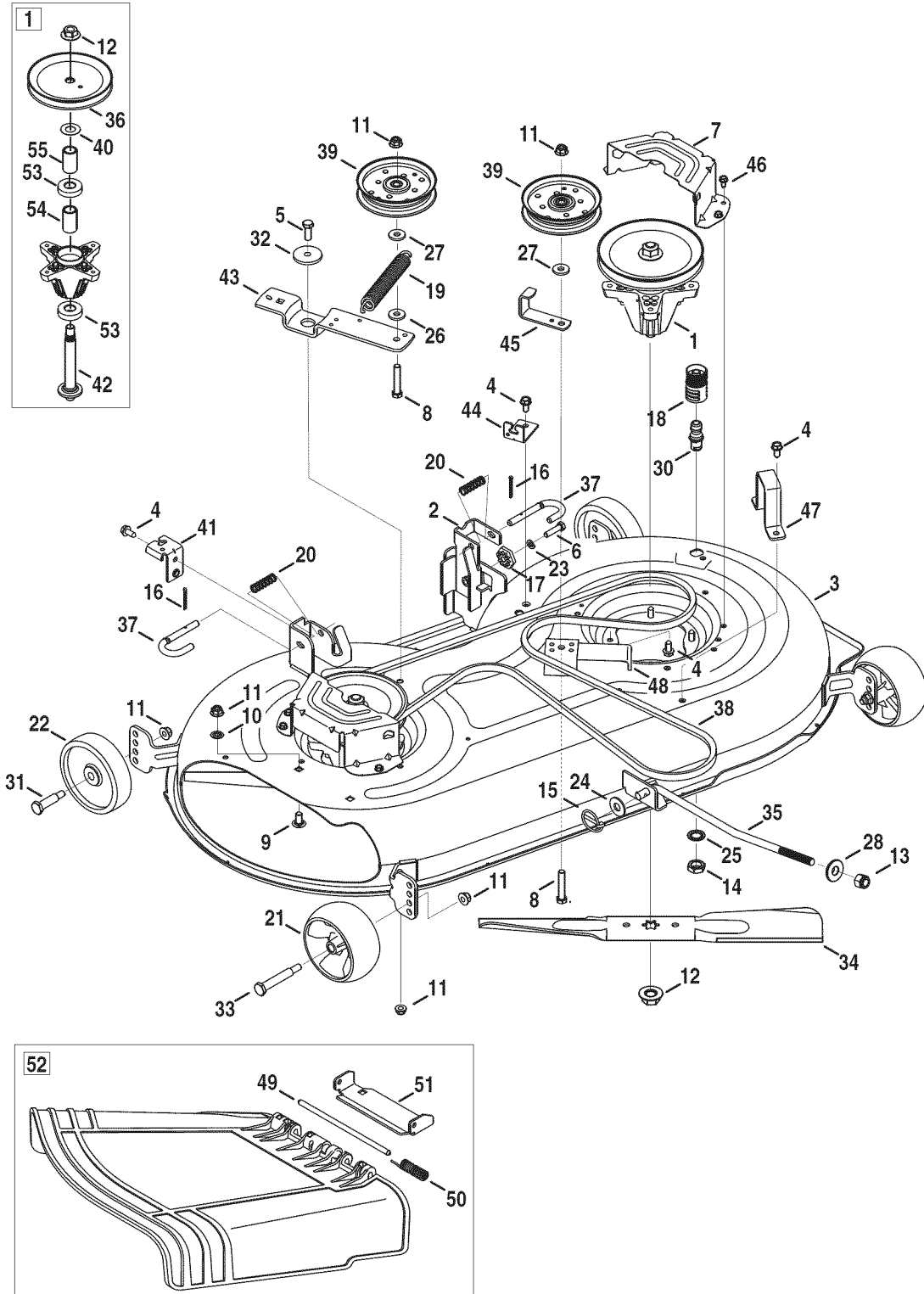
# PARTS LIST

## PTO and Battery — Model No. 247.28980

Ref. No.	Part No.	Description
1	683-04469A-0691	Frame
2	710-04484	Taptite Screw, Indented Washer, 5/16-18:.750
3	710-0599	Taptite Screw, Indented Washer, 1/4-20:0.500
4	710-3005	Hex Head Screw, 3/8-16:1.25
5	712-04065	Flangelock Nut, 3/8-16
6	738-04058	Shoulder Spacer, .38 X 1.0 X .70
7	747-04121A	Battery Holder Rod
8	783-0349-0637	Battery Tray
9	783-06089-0637	Seat Frame Bracket
10	710-04379A	Hex Head Screw, 7/16-20:3.50
11	917-04163A	Electric PTO Clutch
12	725-0157	Cable Tie, 3/16 x .05 x 7.4
13	936-0171	Lock Washer, 7/16
14	736-0277	Flat Washer, 1.031 x 1.620 x .095
15	712-0271	Sems Nut, 1/4-20
16	756-0978B	Electric PTO Engine Pulley
17	710-04666	Hex Head Flange, 1/4-20:.75
18	747-05171	Belt Guard
19	725-05088	Battery
20	725-04439	Solenoid, 12 V
21	712-04064	Flangelock Nut, 1/4-20
22	725-04363	Interlock Switch
23	738-04237A	Shoulder Screw, #10-32:.500

# PARTS LIST

Deck — Model No. 247.28980



# PARTS LIST

## Deck — Model No. 247.28980

Ref. No.	Part No.	Description
1	618-04950	Spindle Assembly
2	683-0254B-4028	Deck Hanger Bracket Assembly
3	683-04598-0428	Deck Assembly
4	710-04484	Taptite Screw, Indented Washer, 5/16-18:.750
5	710-0514	Hex Head Screw, 3/8-16:1.00
6	710-0528	Hex Head Screw, 5/16-18:1.25
7	710-0599	Taptite Screw, Indented Washer, 1/4-20:0.500
8	710-3144	Hex Head Screw, 3/8-16:2.00
9	710-3178	Carriage Bolt, 3/8-16:0.75
10	712-0229	Push Nut, 3/8
11	712-04065	Flangelock Nut, 3/8-16
12	712-0417A	Flange Nut, 5/8-18
13	712-04243	Lock Nut, 1/2-13
14	912-0641	Hex Nut, M16-1.5 DIN 936
15	753-04070	Lynch Pin, .1875
16	914-0470	Cotter Pin, 1/8 X 1.25
17	917-04074	Deck Gear
18	921-04041	Water Nozzle Adaptor
19	732-0459C	Extension Spring, .94 DIA. X 6.74 LG
20	732-04652	Compression Spring, .535 OD X 1.751 LG
21	734-04155	Front Deck Wheel
22	734-0973	Rear Deck Wheel
23	936-0119	Lock Washer, 5/16
24	936-0179	Flat Washer, .531 X 1.25 X .100
25	736-0225	Lock Washer, 5/8
26	736-0258	Flat Washer, .385 X 1.0 X .135
27	736-0262	Flat Washer, .385 X .870 X .092
28	736-0317	Bell Washer, .63 X 1.25 X .18

Ref. No.	Part No.	Description
29	936-0344	Flat Washer, .385 X 1.0 X .030
30	737-04003D	Water Nozzle
31	938-0373	Shoulder Bolt, .496 X 1.525:3/8-16
32	738-04162A	Shoulder Spacer, .8840 X .190
33	938-3056	Shoulder Bolt, .496 X 2.50:3/8-16
34	942-04308	2-in-1 Cutting Blade
35	747-04944B	Deck Lift Rod
36	956-1227	Deck Pulley, 6.3 DIA
37	747-1116	Deck Release Handle Rod
38	954-04060B	V-Belt
39	756-04129B	Idler Pulley, 4.25"DIA
40	936-0351	Flat Washer, .760 IDX1.50 OD
41	783-04740-0637	Deck Engage Cable Bracket
42	738-1186A	Spindle Shaft, 6.05 LG.
43	783-05946	Idler Bracket
44	783-06243-0637	Deck Engage Cable Bracket
45	783-06368-0637	4.25 Pulley Belt Guard Bracket
46	783-06424A-4028	Belt Cover
47	783-06632-4028	Deck Stop
48	783-06643-4028	Deck Idler Support Bracket
49	711-04847A	Hinge Pin
50	732-04372	Torsion Spring
51	783-06074A	Chute Bracket
52	631-04460	Chute Deflector
53	941-0919	Ball Bearing, .787ID X 1.85 ODX.551
54	750-04936	Spacer, .792 X 1.060 X 1.860 LG
55	750-0952	Spacer, .792 X 1.060 X 1.800 LG

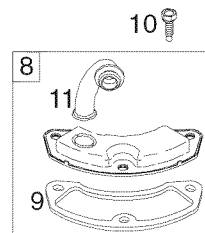
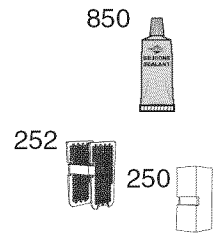
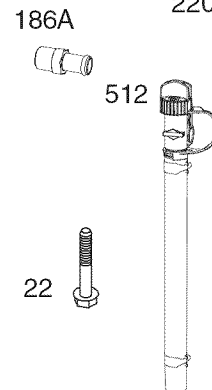
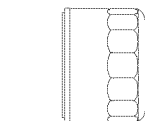
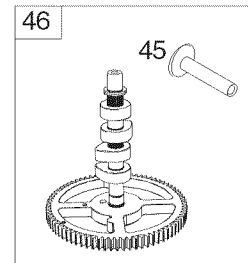
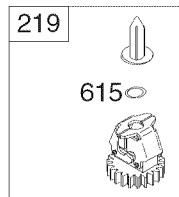
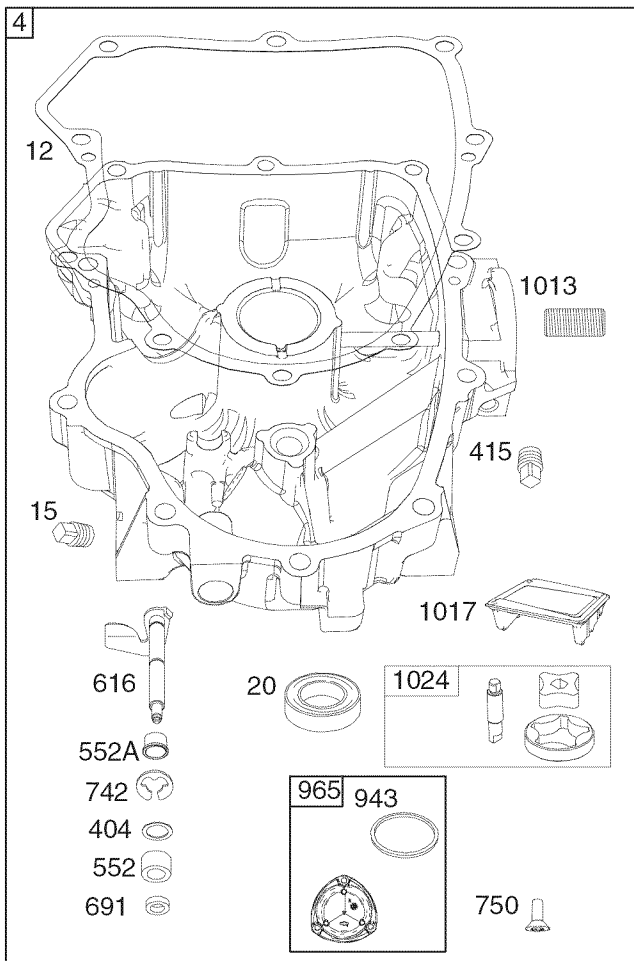
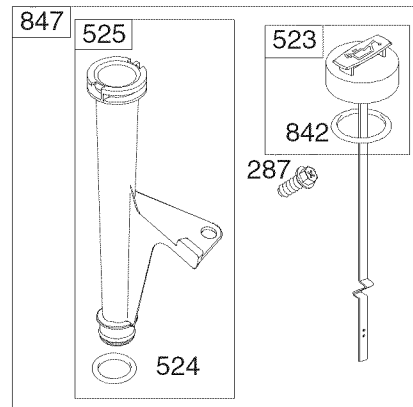
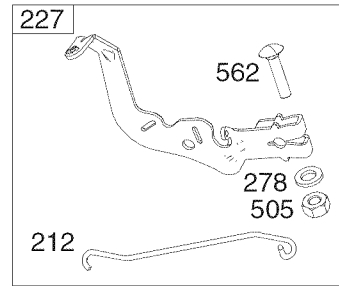
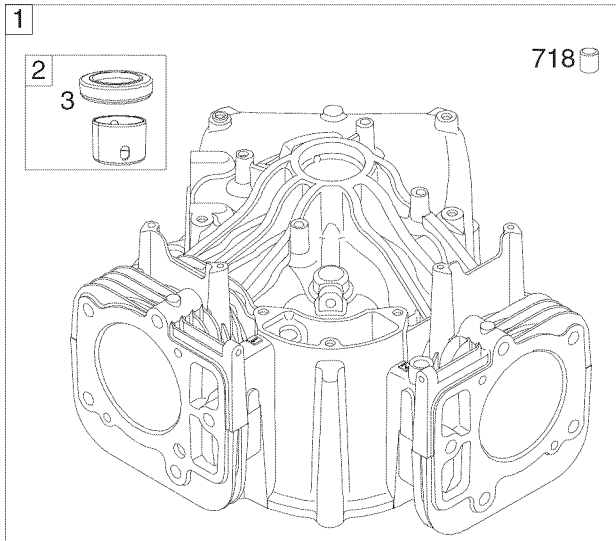
# Briggs & Stratton 724 PRO Twin

1329 REPLACEMENT ENGINE

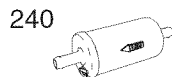
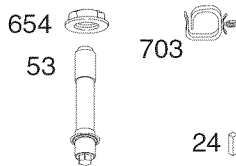
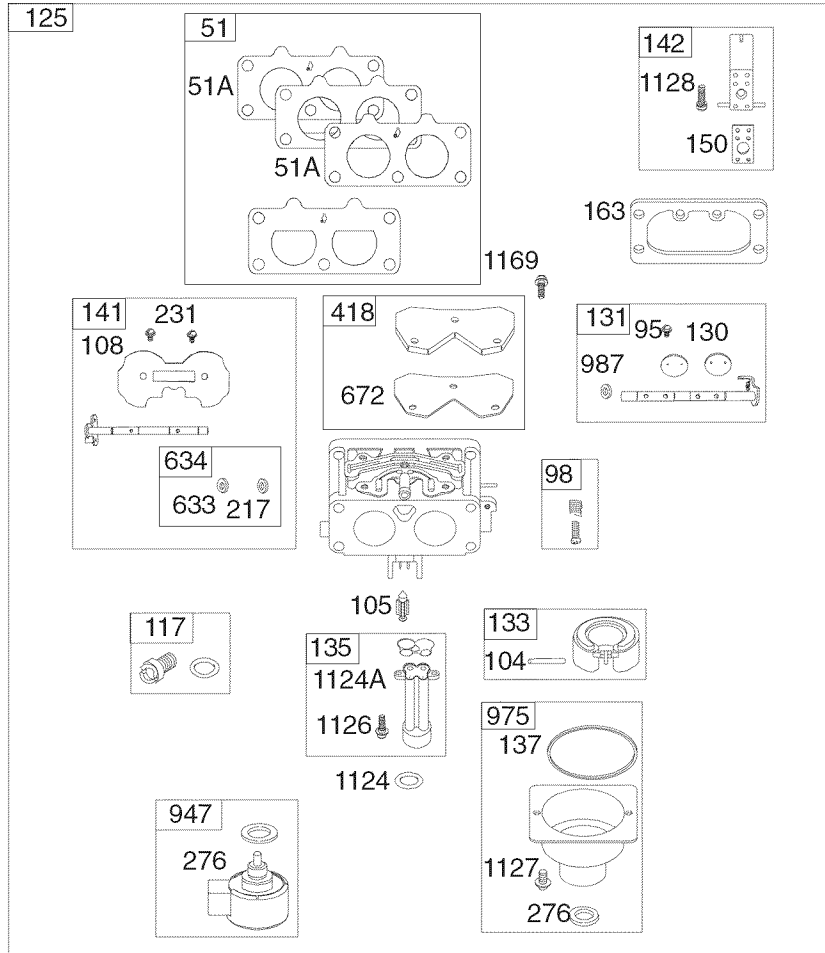
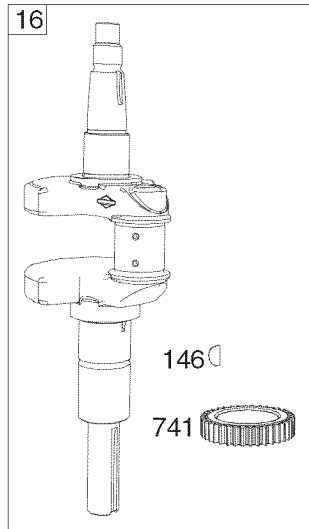
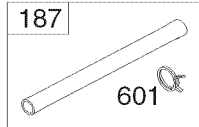
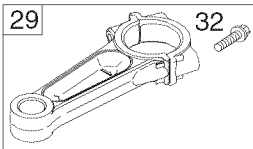
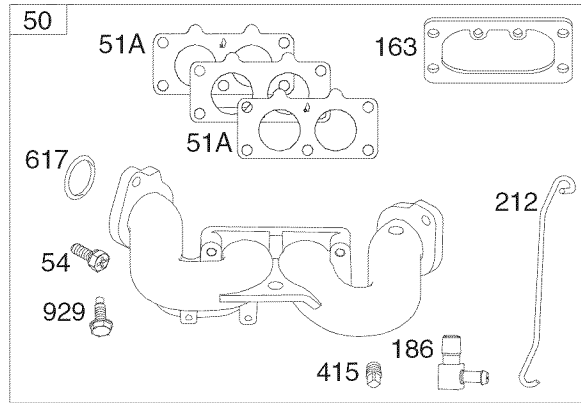
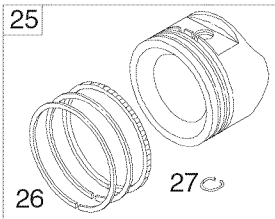
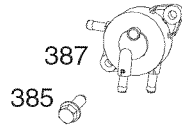
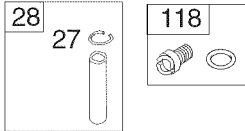
1330 REPAIR MANUAL

48 SHORT BLOCK

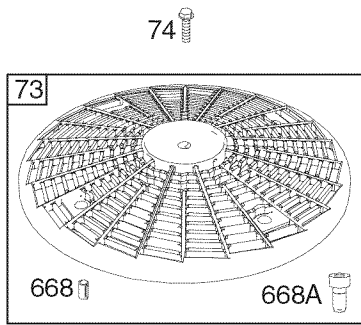
1058 OPERATOR'S MANUAL



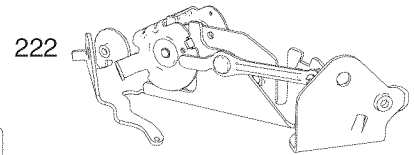




# Briggs & Stratton 724 PRO Twin

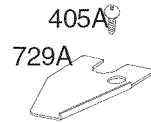
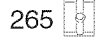


74

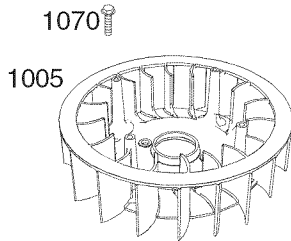


216

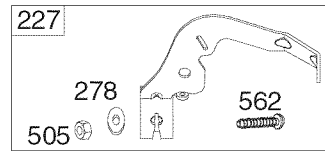
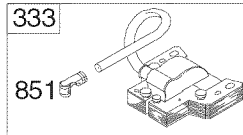
188



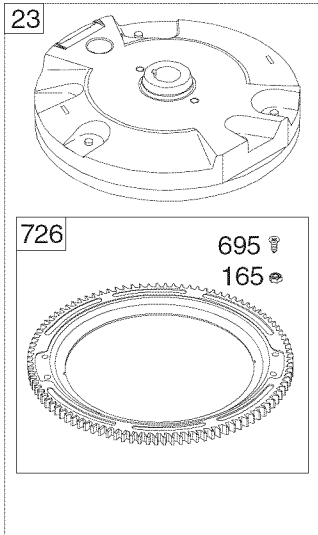
332  
75



334



729



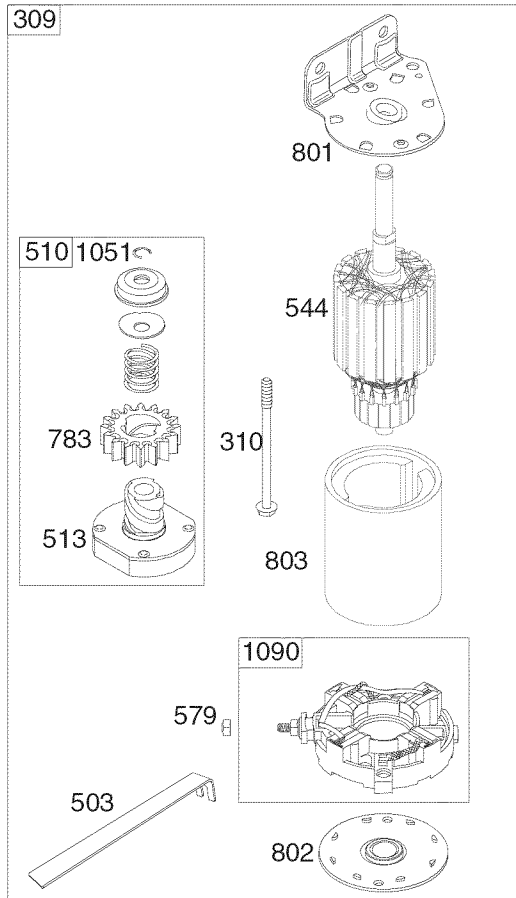
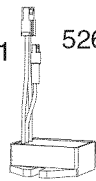
695  
165

1054



501

526



801

697

510 | 1051

544

783

310

513

803

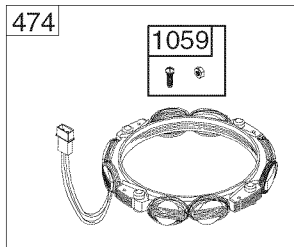
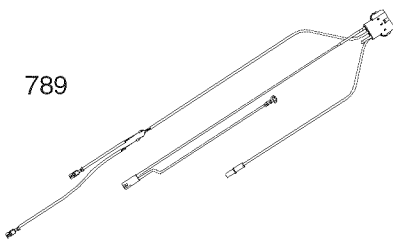
1090

579

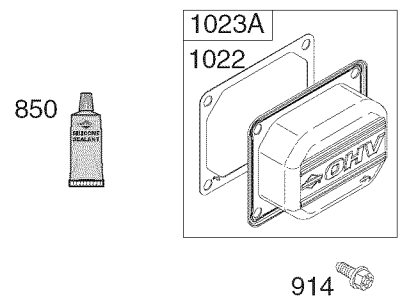
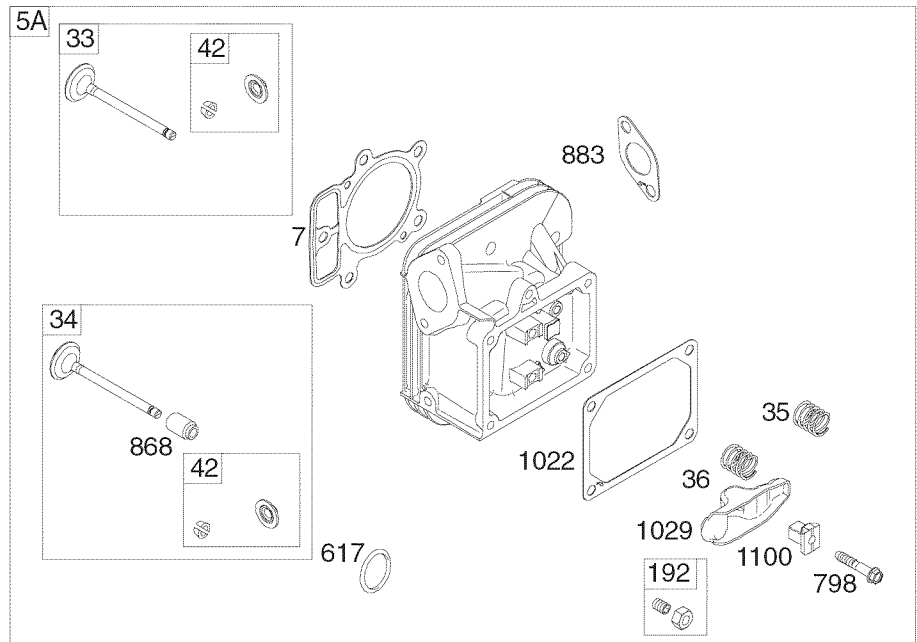
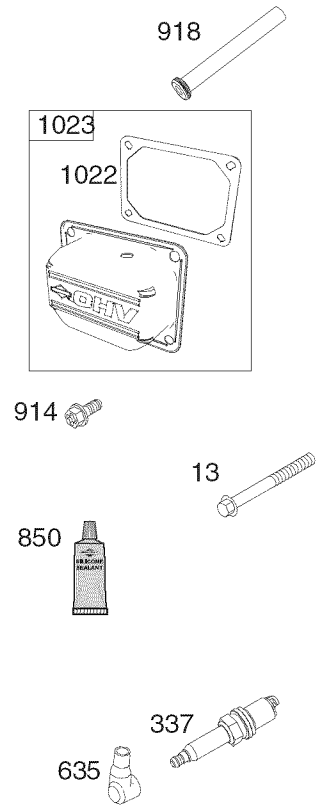
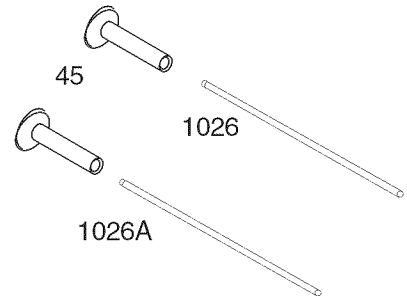
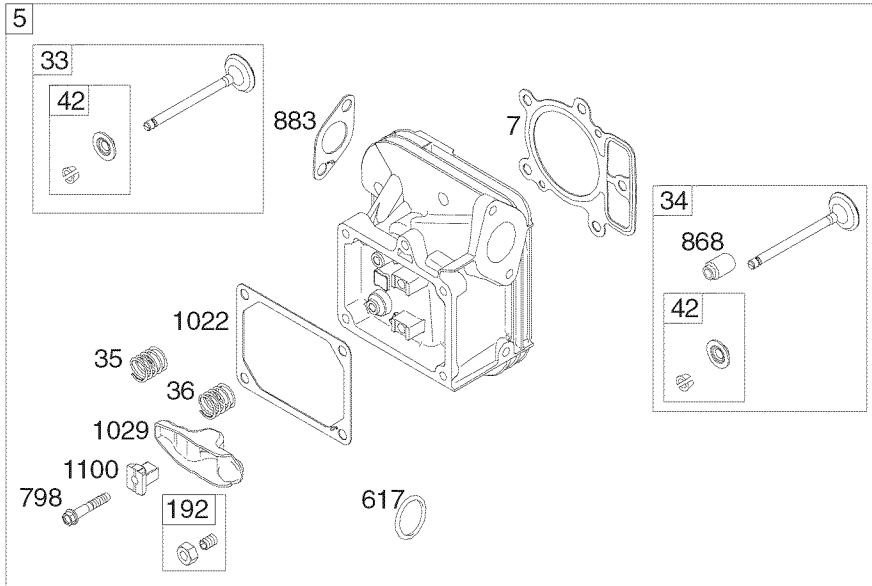
503

802

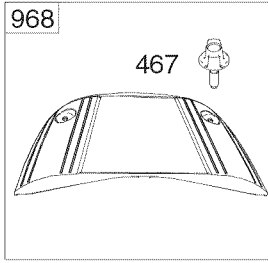
789



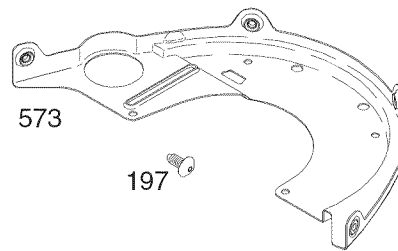
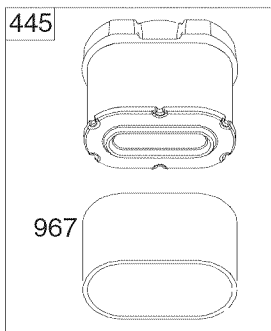
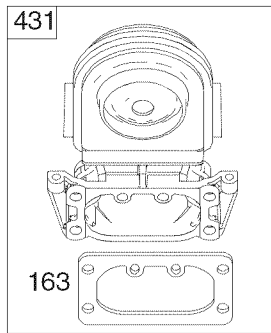
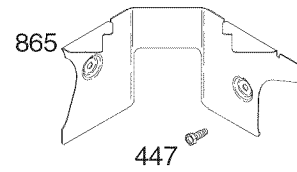
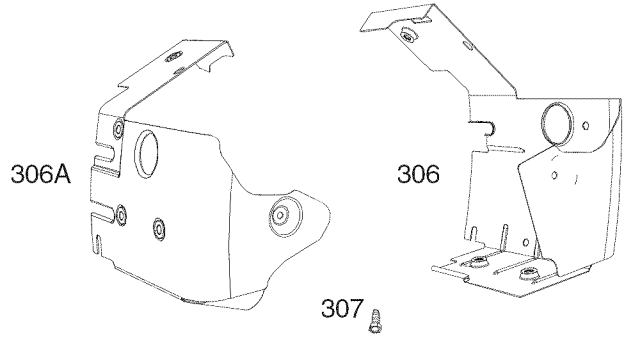
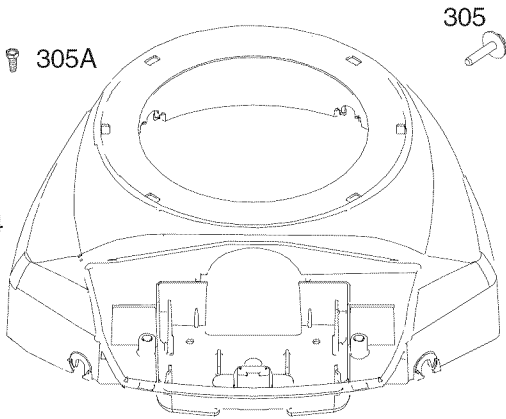
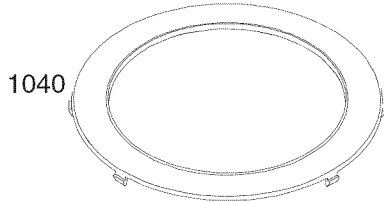
1119

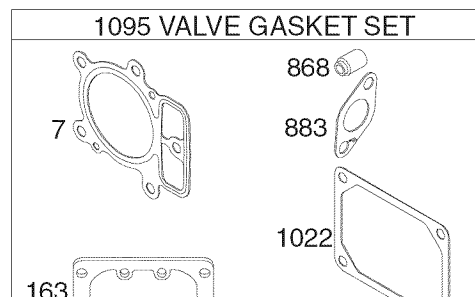
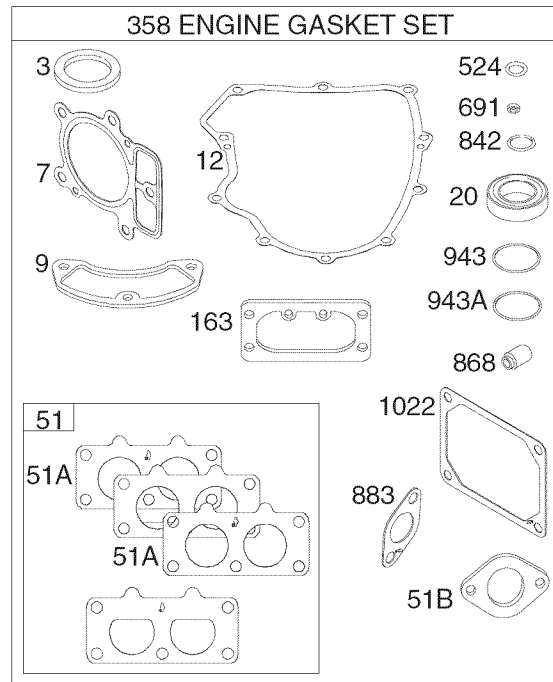
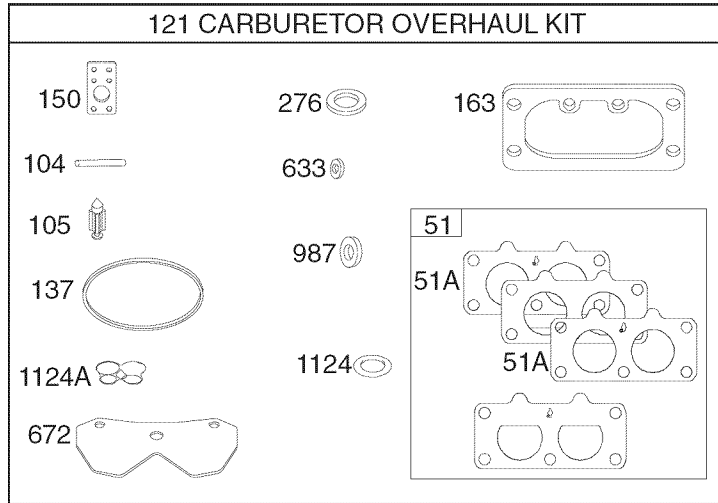


# Briggs & Stratton 724 PRO Twin



1036 EMISSIONS LABEL





# Briggs & Stratton 724 PRO Twin

Ref. No.	Part No.	Description
1	BS-793564	Cylinder Assembly
2	BS-499585	Kit-Bushing/Seal (Magneto Side)
3+	BS-391086s	Seal-Oil (Magneto Side)
4	BS-796307	Sump-Engine
5	BS-796231	Head-Cylinder (Cylinder #1)
5A	BS-796232	Head-Cylinder (Cylinder #2)
7+&	BS-693997	Gasket-Cylinder Head
8	BS-792185	Breather Assembly
9+	BS-690937	Gasket-Breather
10	BS-697551	Screw (Breather Assembly)
11	BS-792184	Tube-Breather
12+	BS-697227	Gasket-Crankcase
13	BS-793988	Screw (Cylinder Head)
15	BS-690946	Plug-Oil Drain
16	BS-796540	Crankshaft
20+	BS-795387	Seal-Oil (PTO Side)
22	BS-694966	Screw (Crankcase Cover/Sump)
23	BS-691053	Flywheel
24	BS-222698s	Key-Flywheel
25	BS-792023	Piston Assembly (Standard)
25	BS-792072	Piston Assembly (.020" Oversize)
26	BS-793561	Ring Set (Standard)
26	BS-792073	Ring Set (.020" Oversize)
27	BS-690975	Lock-Piston Pin
28	BS-696581	Pin-Piston
29	BS-796209	Rod-Connecting
32	BS-690976	Screw (Connecting Rod)
33	BS-697576	Valve-Exhaust
34	BS-792200	Valve-Intake
35	BS-694865	Spring-Valve (Intake)
36	BS-694865	Spring-Valve (Exhaust)
42	BS-499586	Keeper-Valve
45	BS-690977	Tappet-Valve
46	BS-797242	Gear-Cam
48	BS-797093	Short Block
50	BS-695241	Manifold-Intake
51+	BS-795123	Gasket-Intake
51A	BS-690950	Gasket-Intake
51B	BS-690949	Gasket-Intake

Ref. No.	Part No.	Description
53	BS-690951	Stud (Carburetor)
54	BS-699816	Screw (Intake Manifold)
73	BS-494439	Screen-Rotating
74	BS-698425	Screw (Rotating Screen)
75	BS-691056	Washer (Flywheel)
95	BS-690718	Screw (Throttle Valve)
98	BS-699721	Kit-Idle Speed
104%	BS-694918	Pin-Float Hinge
105	BS-698537	Valve-Float Needle
108	BS-699723	Valve-Choke
117	BS-842630	Jet-Main (Standard)
118	BS-797477	Jet-Main (High Altitude)
121	BS-792455	Kit-Carburetor Overhaul
125	BS-796997	Carburetor
130	BS-690993	Valve-Throttle
131	BS-499805	Kit-Throttle Shaft
133	BS-699724	Float-Carburetor
135	BS-699729	Tube-Fuel Transfer
137%	BS-690994	Gasket-Float Bowl
141	BS-796228	Kit-Choke Shaft
142	BS-699726	Nozzle-Carburetor
146	BS-690979	Key-Timing
150	BS-690995	Gasket-Nozzle
163+%	BS-691001	Gasket-Air Cleaner
165	BS-693148	Nut (Ring Gear)
186	BS-795985	Connector-Hose
187	BS-791766	Line-Fuel (Cut to Required Length)
188	BS-697551	Screw (Control Bracket)
192	BS-690083	Adjuster-Rocker Arm
197	BS-697820	Screw (Back Plate)
209	BS-796658	Spring-Governor (Yellow/Brown)
211	BS-796225	Spring-Governed Idle (Orange)
212	BS-695238	Link-Throttle
216	BS-796229	Link-Choke
217	BS-695409	Spring-Choke Return
219	BS-793338	Gear-Governor

+ — Included in Engine Gasket Set, Key No. 358

& — Included in Valve Gasket Set, Key No. 1095

% — Included in Carburetor Overhaul Kit, Key No. 121

## Briggs & Stratton 724 PRO Twin

Ref. No.	Part No.	Description
220	BS-690412	Washer (Governor Gear)
221	BS-841026	Cup-Governor
222	BS-796226	Bracket-Control
227	BS-796223	Lever-Governor Control
231	BS-690718	Screw (Choke Valve)
239	BS-792028	Switch-Oil Pressure
240	BS-695666	Filter-Fuel
250	BS-690957	Retainer-Breather
252	BS-794389	Collector-Oil
265	BS-691024	Clamp-Casing
267	BS-695134	Screw (Casing Clamp)
276%	BS-695410	Washer-Sealing
278	BS-792651	Washer (Governor Control Lever)
287	BS-697551	Screw (Dipstick Tube)
304	BS-797407	Housing-Blower
305	BS-691005	Screw (Blower Housing)
305A	BS-790690	Screw (Blower Housing to Intake Elbow)
306	BS-796541	Shield-Cylinder (Cylinder #2)
306A	BS-796852	Shield-Cylinder (Cylinder #1)
307	BS-697551	Screw (Cylinder Shield)
309	BS-497595	Motor-Starter
310	BS-690323	Screw (Starter Motor)
332	BS-691059	Nut (Flywheel)
333	BS-691060	Armature-Magneto
334	BS-691061	Screw (Magneto Armature)
337	BS-491055s	Plug-Spark
358	BS-694012	Gasket Set-Engine
385	BS-797409	Screw (Fuel Pump)
387	BS-808656	Pump-Fuel
404	BS-690442	Washer (Governor Crank)
415	BS-794903	Plug (Oil Pressure Switch Hole)
418	BS-795912	Plate-Carburetor
431	BS-792297	Elbow-Intake
445	BS-792105	Filter-Air Cleaner Cartridge
447	BS-691003	Screw (Air Guide Cover)
467	BS-790697	Knob-Air Cleaner
474	BS-696457	Alternator
501	BS-794360	Regulator

Ref. No.	Part No.	Description
503	BS-691532	Strap-Starter
505	BS-691029	Nut (Governor Control Lever)
510	BS-696541	Drive-Starter
513	BS-692024	Clutch-Drive
523	BS-691036	Dipstick
524+	BS-691032	Seal-Dipstick Tube
525	BS-691037	Tube-Dipstick
526	BS-691129	Screw (Regulator)
544		Armature-Starter (Service with Starter Motor 497595, Reference 309)
552	BS-796638	Bushing-Governor Crank
552A	BS-690553	Bushing-Governor Crank
562	BS-690311	Screw (Governor Control Lever)
573	BS-790444	Plate-Back
579	BS-691029	Nut (Starter Cable)
601	BS-691038	Clamp-Hose (Black)
615	BS-698290	Retainer-Governor Shaft
616	BS-691045	Crank-Governor
617	BS-697891	Seal-O Ring (Intake Manifold) (Red)
633%	BS-699813	Seal-Choke/Throttle Shaft
634	BS-698779	Spring/Seal Assembly
635	BS-66538s	Boot-Spark Plug
654	BS-690958	Nut (Carburetor)
668+	BS-691215	Spacer (Rotating Screen)
668A	BS-691500	Spacer (Rotating Screen)
672	BS-690234	Gasket-Carburetor Plate
691+	BS-790574	Seal-Governor Shaft
695	BS-693149	Screw (Ring Gear)
697	BS-690372	Screw (Drive Cap)
703	BS-691010	Clip
718	BS-690959	Pin-Locating
726	BS-499612	Gear-Ring
729	BS-797454	Clip-Wire
741	BS-690980	Gear-Timing
742	BS-690328	Retainer-E Ring (Governor Crank)
750	BS-796208	Screw (Oil Pump Cover)

+ — Included in Engine Gasket Set, Key. No. 358

& — Included in Valve Gasket Set, Key No. 1095

% — Included in Carburetor Overhaul Kit, Key No. 121

# Briggs & Stratton 724 PRO Twin

Ref. No.	Part No.	Description
783	BS-695708	Gear-Pinion
789	BS-797460	Harness-Wiring
798	BS-697890	Screw (Rocker Arm)
801	BS-691283	Cap-Drive
802	BS-691286	Cap-End
803		Housing-Starter (Service with Starter Motor 497595, Reference 309)
842	BS-691031	Seal-O Ring (Dipstick Tube)
847	BS-499602	Dipstick/Tube Assembly
850	BS-100106	Sealant-Liquid
851	BS-493880s	Terminal-Spark Plug
865	BS-792286	Cover-Air Guide (Valley)
868+	BS-690968	Seal-Valve
883+&	BS-690970	Gasket-Exhaust
914	BS-691127	Screw (Rocker Cover)
918	BS-797408	Hose-Vacuum
929	BS-695239	Screw (Choke Control Bracket)
943	BS-796222	Seal-O Ring (Oil Pump Cover)
947	BS-841546	Solenoid-Fuel
965	BS-796221	Cover-Oil Pump
967	BS-792303	Filter-Pre Cleaner
968	BS-795120	Cover-Air Cleaner
975	BS-793592	Bowl-Float
987	BS-691000	Seal-Throttle Shaft
1005	BS-791236	Fan-Flywheel
1013	BS-690954	Nipple-Oil Filter
1017	BS-796214	Screen-Oil Pump
1022	BS-690971	Gasket-Rocker Cover
1023	BS-793146	Cover-Rocker (Cylinder #1)
1023A	BS-499600	Cover-Rocker (Cylinder #2)
1024	BS-796220	Pump-Oil
1026	BS-690981	Rod-Push (Exhaust)
1026A	BS-690982	Rod-Push (Intake)
1027	BS-795890	Filter-Oil
1029	BS-690972	Arm-Rocker
1036		Label-Emissions (Available from a Briggs & Stratton Authorized Dealer)
1040	BS-791237	Plate-Trim
1051	BS-691265	Ring-Retaining (Starter Drive)

Ref. No.	Part No.	Description
1054	BS-280275	Tie-Cable
1058	BS-277103	Operator's Manual
1059	BS-698516	Kit-Screw/Washer (Alternator)
1070	BS-791680	Screw (Flywheel Fan)
1090	BS-691293	Retainer-Brush
1095	BS-694013	Gasket Set-Valve
1100	BS-791959	Pivot-Rocker Arm
1119	BS-691183	Screw (Alternator)
1124	BS-841653	Seal-O Ring (Fuel Transfer Tube)
1124A	BS-690988	Seal-O Ring (Fuel Transfer Tube)
1126	BS-690991	Screw (Fuel Transfer Tube)
1127	BS-695407	Screw (Fuel Bowl)
1128	BS-690990	Screw (Carburetor Nozzle)
1169	BS-690990	Screw (Carburetor Plate)
1330	BS-273521	Repair Manual
1329	BS-44Q777-0137-G1	Replacement Engine

+ — Included in Engine Gasket Set, Key. No. 358  
 & — Included in Valve Gasket Set, Key No. 1095  
 % — Included in Carburetor Overhaul Kit, Key No. 121



# LABELS

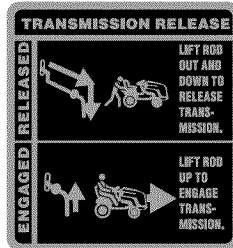
777123379



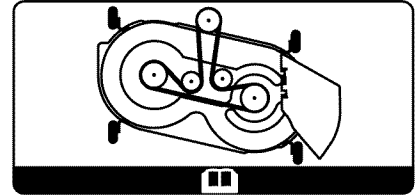
777D14480



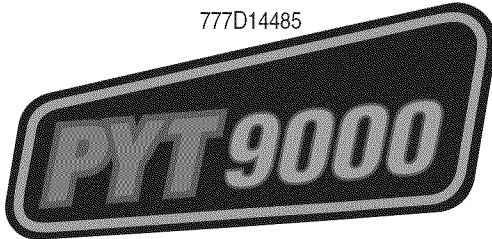
777123132



777123092



777D14485



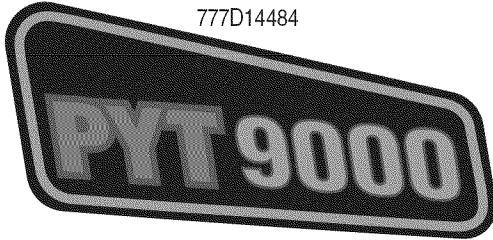
777123357



777S30018



777D14484



777S30503



777D14492



777X43688



777X44429



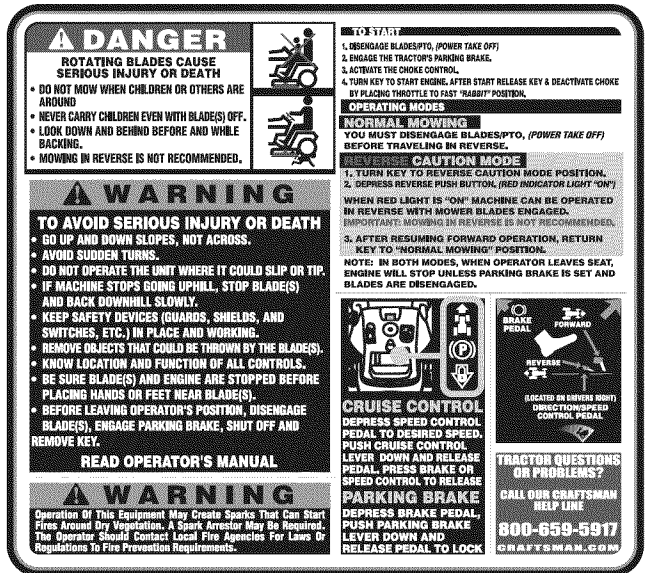
777123355



777D14477



777S33593



## Look For Relevant Emissions Durability Period and Air Index Information On Your Engine Emissions Label

Engines that are certified to meet the California Air Resources Board (CARB) Tier 2 Emission Standards must display information regarding the Emissions Durability Period and the Air Index. Sears, Roebuck and Co., U.S.A. makes this information available to the consumer on our emission labels.

The Emissions Durability Period describes the number of hours of actual running time for which the engine is certified to be emissions compliant, assuming proper maintenance in accordance with the Operating & Maintenance Instructions. The following categories are used:

**Moderate:** Engine is certified to be emission compliant for 125 hours of actual engine running time.

**Intermediate:** Engine is certified to be emission compliant for 250 hours of actual engine running time.

**Extended:** Engine is certified to be emission compliant for 500 hours of actual engine running time.

For example, a typical walk-behind lawn mower is used 20 to 25 hours per year. Therefore, the **Emissions Durability Period** of an engine with an **intermediate** rating would equate to 10 to 12 years.

The **Air Index** is a calculated number describing the relative level of emissions for a specific engine family. The lower the **Air Index**, the cleaner the engine. This information is displayed in graphical form on the emissions label.

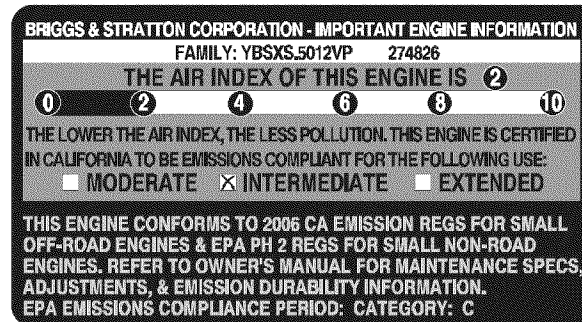
## After July 1, 2000, Look For Emissions Compliance Period On Engine Emissions Compliance Label

After July 1, 2000 certain Sears, Roebuck and Co., U.S.A. engines will be certified to meet the United States Environmental Protection Agency (USEPA) Phase 2 emission standards. For Phase 2 certified engines, the Emissions Compliance Period referred to on the Emissions Compliance label indicates the number of operating hours for which the engine has been shown to meet Federal emission requirements.

For engines less than 225 cc displacement, Category C = 125 hours, B = 250 hours and A = 500 hours.

For engines of 225 cc or more, Category C = 250 hours, B = 500 hours and A = 1000 hours.

This is a generic representation of the emission label typically found on a certified engine.



(This page applicable in the U.S.A. and Canada only.)

**Sears, Roebuck and Co., U.S.A. (Sears), the California Air Resources Board (CARB)  
and the United States Environmental Protection Agency (U.S. EPA)**

**Emission Control System Warranty Statement (Owner's Defect Warranty Rights and Obligations)**

EMISSION CONTROL WARRANTY COVERAGE IS APPLICABLE TO CERTIFIED ENGINES PURCHASED IN CALIFORNIA IN 1995 AND THEREAFTER, WHICH ARE USED IN CALIFORNIA, AND TO CERTIFIED MODEL

YEAR 1997 AND LATER ENGINES WHICH ARE PURCHASED AND USED ELSEWHERE IN THE UNITED STATES (AND AFTER JANUARY 1, 2001 IN CANADA).

**California and United States Emission Control Defects Warranty Statement**

The California Air Resources Board (CARB), U.S. EPA and Sears are pleased to explain the Emission Control System Warranty on your model year 2000 and later small off-road engine (SORE). In California, new small off-road engines must be designed, built and equipped to meet the State's stringent anti-smog standards. Elsewhere in the United States, new non-road, spark-ignition engines certified for model year 1997 and later must meet similar standards set forth by the U.S. EPA. Sears must warrant the emission control system on your

engine for the periods of time listed below, provided there has been no abuse, neglect or improper maintenance of your small off-road engine. Your emission control system includes parts such as the carburetor, air cleaner, ignition system, muffler and catalytic converter. Also included may be connectors and other emission related assemblies. Where a warrantable condition exists, Sears will repair your small off-road engine at no cost to you including diagnosis, parts and labor.

**Sears Emission Control Defects Warranty Coverage**

Small off-road engines are warranted relative to emission control parts defects for a period of one year, subject to provisions set forth below. If any covered

part on your engine is defective, the part will be repaired or replaced by Sears.

**Owner's Warranty Responsibilities**

As the small off-road engine owner, you are responsible for the performance of the required maintenance listed in your Operating and Maintenance Instructions. Sears recommends that you retain all your receipts covering maintenance on your small off-road engine, but Sears cannot deny warranty solely for the lack of receipts or for your failure to ensure the performance of all scheduled maintenance. As the small off-road engine owner, you should however be aware that Sears may deny you warranty coverage if your small off-road engine or a part has failed due to abuse, neglect, improper maintenance or unap-

proved modifications. You are responsible for presenting your small off-road engine to an Authorized Sears Service Dealer as soon as a problem exists. The undisputed warranty repairs should be completed in a reasonable amount of time, not to exceed 30 days. If you have any questions regarding your warranty rights and responsibilities, you should contact a Sears Service Representative at 1-800-469-4663. The emission warranty is a defects warranty. Defects are judged on normal engine performance. The warranty is not related to an in-use emission test.

**Sears Emission Control Defects Warranty Provisions**

The following are specific provisions relative to your Emission Control Defects Warranty Coverage. It is in addition to the Sears engine warranty for non-regulated engines found in the Operating and Maintenance Instructions.

1. Warranted Parts

Coverage under this warranty extends only to the parts listed below (the emission control systems parts) to the extent these parts were present on the engine purchased.

- a. Fuel Metering System
  - Cold start enrichment system
  - Carburetor and internal parts
  - Fuel Pump
- b. Air Induction System
  - Air cleaner
  - Intake manifold
- c. Ignition System
  - Spark plug(s)
  - Magneto ignition system
- d. Catalyst System
  - Catalytic converter
  - Exhaust manifold
  - Air injection system or pulse valve
- e. Miscellaneous Items Used in Above Systems
  - Vacuum, temperature, position, time sensitive valves and switches
  - Connectors and assemblies

2. Length of Coverage

Sears warrants to the initial owner and each subsequent purchaser that the Warranted Parts shall be free from defects in materials and workmanship which caused the failure of the Warranted Parts for a period of one year from the date the engine is delivered to a retail purchaser.

3. No Charge

Repair or replacement of any Warranted Part will be performed at no charge to the owner, including diagnostic labor which leads to the determination that a Warranted Part is defective, if the diagnostic work is performed at an Authorized Sears Service Dealer. For emissions warranty service contact your nearest Authorized Sears Service Dealer as listed in the "Yellow Pages" under "Engines, Gasoline," "Gasoline Engines," "Lawn Mowers," or similar category.

4. Claims and Coverage Exclusions

Warranty claims shall be filed in accordance with the provisions of the Sears Engine Warranty Policy. Warranty coverage shall be excluded for failures of Warranted Parts which are not original Sears parts or because of abuse, neglect or improper maintenance as set forth in the Sears Engine Warranty Policy. Sears is not liable to cover failures of Warranted Parts caused by the use of add-on, non-original, or modified parts.

5. Maintenance

Any Warranted Part which is not scheduled for replacement as required maintenance or which is scheduled only for regular inspection to the effect of "repair or replace as necessary" shall be warranted as to defects for the warranty period. Any Warranted Part which is scheduled for replacement as required maintenance shall be warranted as to defects only for the period of time up to the first scheduled replacement for that part. Any replacement part that is equivalent in performance and durability may be used in the performance of any maintenance or repairs. The owner is responsible for the performance of all required maintenance, as defined in the Sears Operating and Maintenance Instructions.

6. Consequential Coverage

Coverage hereunder shall extend to the failure of any engine components caused by the failure of any Warranted Part still under warranty.

In the USA and Canada, a 24 hour hot line, **1-800-469-4663**, has a menu of pre-recorded messages offering you engine maintenance information.

## FEDERAL and/or CALIFORNIA EMISSION CONTROL WARRANTY STATEMENT

### YOUR WARRANTY RIGHTS AND OBLIGATIONS

MTD Consumer Group Inc, the United States Environmental Protection Agency (EPA), and, for those products certified for sale in the state of California, the California Air Resources Board (CARB) are pleased to explain the emission (evaporative and/or exhaust) control system (ECS) warranty on your outdoor 2006 and later small off-road spark-ignited engine and equipment (outdoor equipment engine) In California, new outdoor equipment engines must be designed, built and equipped to meet the State's stringent anti-smog standards (in other states, 1997 and later model year equipment must be designed, built, and equipped to meet the U.S. EPA small off-road, spark ignition engine regulations. MTD Consumer Group Inc must warrant the ECS on your outdoor equipment engine for the period of time listed below provided there has been no abuse, neglect or improper maintenance of outdoor equipment engine.

Your ECS may include parts such as the carburetor, fuel-injection system, the ignition system, catalytic converter, fuel tanks, fuel lines, fuel caps, valves, canisters, filters, vapor hoses, clamps, connectors, and other associated emission-related components.

Where a warrantable condition exists, MTD Consumer Group Inc will repair your outdoor equipment engine at no cost to you including diagnosis, parts and labor.

#### MANUFACTURER'S WARRANTY COVERAGE:

This emission control system is warranted for two years. If any emission-related part on your outdoor equipment engine is defective, the part will be repaired or replaced by MTD CONSUMER GROUP INC.

#### OWNER'S WARRANTY RESPONSIBILITIES:

As the outdoor equipment engine owner, you are responsible for performance of the required maintenance listed in your owner's manual. MTD Consumer Group Inc recommends that you retain all receipts covering maintenance on your outdoor equipment engine, but MTD Consumer Group Inc cannot deny warranty solely for the lack of receipts.

As the outdoor equipment engine owner, you should however be aware that MTD Consumer Group Inc may deny you warranty coverage if your outdoor equipment engine or a part has failed due to abuse, neglect, or improper maintenance or unapproved modifications.

You are responsible for presenting your outdoor equipment engine to MTD Consumer Group Inc's distribution center or service center as soon as the problem exists. The warranty repairs should be completed in a reasonable amount of time, not to exceed 30 days. If you have a question regarding your warranty coverage, you should contact the MTD Consumer Group Inc Service Department at 1-800-800-7310 or via email at <http://support.mtdproducts.com>

#### GENERAL EMISSIONS WARRANTY COVERAGE:

MTD Consumer Group Inc warrants to the ultimate purchaser and each subsequent purchaser that the outdoor equipment engine is: Designed, built and equipped so as to conform with all applicable regulations; and free from defects in materials and workmanship that cause the failure of a warranted part to be identical in all material respects to that part as described in MTD Consumer Group Inc's application for certification.

The warranty period begins on the date the outdoor equipment engine is delivered to an ultimate purchaser or first placed into service. The warranty period is two years.

Subject to certain conditions and exclusions as stated below, the warranty on emission-related parts is as follows:

1. Any warranted part that is not scheduled for replacement as required maintenance in the written instructions supplied, is warranted for the warranty period stated above. If the part fails during the period of warranty coverage, the part will be repaired or replaced by MTD Consumer Group Inc according to subsection (4) below. Any such part repaired or replaced under warranty will be warranted for the remainder of the period.
2. Any warranted part that is scheduled only for regular inspection in the written instructions supplied is warranted for the warranty period stated above. Any such part repaired or replaced under warranty will be warranted for the remaining warranty period.
3. Any warranted part that is scheduled for replacement as required maintenance in the written instructions supplied is warranted for the period of time before the first scheduled replacement date for that part. If the part fails before the first scheduled replacement, the part will be repaired or replaced by MTD Consumer Group Inc according to subsection (4) below. Any such part repaired or replaced under warranty will be warranted for the remainder of the period prior to the first scheduled replacement point for the part.
4. Repair or replacement of any warranted part under the warranty provisions herein must be performed at a warranty station at no charge to the owner.
5. Notwithstanding the provisions herein, warranty services or repairs will be provided at all of our distribution centers that are franchised to service the subject engines or equipment.
6. The outdoor equipment engine owner will not be charged for diagnostic labor that is directly associated with diagnosis of a defective, emission-related warranted part, provided that such diagnostic work is performed at a warranty station.
7. MTD Consumer Group Inc is liable for damages to other engine or equipment components proximately caused by a failure under warranty of any warranted part.
8. Throughout the off-road engine and equipment warranty period stated above, MTD Consumer Group Inc will maintain a supply of warranted parts sufficient to meet the expected demand for such parts.
9. Any replacement part may be used in the performance of any warranty maintenance or repairs and must be provided without charge to the owner. Such use will not reduce the warranty obligations of MTD Consumer Group Inc.
10. Add-on or modified parts that are not exempted by the Air Resources Board may not be used. The use of any non-exempted add-on or modified parts by the ultimate purchaser will be grounds for disallowing a warranty claims. MTD Consumer Group Inc will not be liable to warrant failures of warranted parts caused by the use of a non-exempted add-on or modified part.

---

## WARRANTED PARTS:

The repair or replacement of any warranted part otherwise eligible for warranty coverage may be excluded from such warranty coverage if MTD Consumer Group Inc demonstrates that the outdoor equipment engine has been abused, neglected, or improperly maintained, and that such abuse, neglect, or improper maintenance was the direct cause of the need for repair or replacement of the part. That notwithstanding, any adjustment of a component that has a factory installed, and properly operating, adjustment limiting device is still eligible for warranty coverage. Further, the coverage under this warranty extends only to parts that were present on the off-road engine and equipment purchased.

The following emission warranty parts are covered (if applicable):

(1) Fuel Metering System

- Cold start enrichment system (soft choke)
- Carburetor and internal parts (or fuel injection system)
- Fuel pump
- Fuel tank

(2) Air Induction System

- Air cleaner
- Intake manifold

(3) Ignition System

- Spark plug(s)
- Magneto ignition system

(4) Exhaust System

- Catalytic converter
- SAI (Reed valve)

(5) Miscellaneous Items Used in Above System

- Vacuum, temperature, position, time sensitive valves and switches
- Connectors and assemblies

(6) Evaporative Control

- Fuel hose
- Fuel hose clamps
- Tethered fuel cap
- Carbon canister
- Vapor lines

# ÍNDICE

Declaración de garantía.....	62	Servicio y Mantenimiento.....	79
Instrucciones sobre seguridad .....	63	Almacenamiento fuera de temporada .....	90
Montaje .....	70	Solución de Problemas.....	91
Conozca su cortadora de césped .....	73	Lista de piezas.....	34
Funcionamiento.....	76	Números de servicio .....	Contratapa

## DECLARACIÓN DE GARANTÍA

### GARANTÍA TOTAL PROFESIONAL CRAFTSMAN

En condiciones normales de operación y mantenimiento según las instrucciones suministradas, si alguna pieza no descartable de este equipo montable fallara debido a defectos de material o de mano de obra dentro de los dos años de la fecha de compra, llame al 1-800-659-5917 para acordar una visita de reparación a domicilio sin cargo.

El bastidor y el eje delantero serán reparados sin cargo durante cinco años a partir de la fecha de compra si tienen defectos de material o de mano de obra. Toda la cobertura de garantía anterior sólo será válida durante un año a partir de la fecha de compra si el equipo montable se utiliza en algún momento para fines comerciales o de alquiler.

En todos los casos, si es imposible repararlo, el equipo será reemplazado sin cargo por otro del mismo modelo o su equivalente.

La batería será reemplazada sin cargo durante 90 días a partir de la fecha de compra si tiene defectos de material o de mano de obra (nuestras pruebas demuestran que no mantiene la carga).

Esta garantía cubre ÚNICAMENTE los defectos en los materiales y en la mano de obra. Sears NO pagará por:

- Elementos consumibles que se desgastan por el uso normal, incluyendo entre otros, las cuchillas, bujías, depuradores de aire, correas, y filtros de aceite.
- Servicios de mantenimiento estándar, cambios de aceite o afinación.
- Cambio de neumáticos o reparaciones por pinchaduras con objetos externos como clavos, espinas, tocones o vidrios.
- Reemplazo o reparación de neumáticos o ruedas como resultado del desgaste normal, un accidente, o funcionamiento o mantenimiento incorrectos.
- Reparaciones necesarias debido al abuso del operador, incluyendo entre otros, el daño ocasionado por remolcar objetos más allá de la capacidad del equipo montable, el impacto contra objetos que tuerzan la estructura o el cigüeñal, o por acelerar demasiado el motor.
- Reparaciones necesarias debido a negligencia del operador, incluyendo entre otras, los daños mecánicos y eléctricos causados por el almacenamiento incorrecto, el uso de aceite de grado incorrecto y/o en cantidades no adecuadas, por no mantener el área de cubierta libre de residuos inflamables, o por no mantener el equipo de acuerdo con las instrucciones contenidas en el manual del propietario.
- Limpieza o reparaciones del motor (sistema de combustible) debidas a combustible que se determina está contaminado u oxidado (viejo). En general, el combustible debe utilizarse en un período no mayor de 30 días a partir de su adquisición.
- El deterioro y desgaste normal de los acabados exteriores, o reemplazo de la etiqueta del producto.

Esta garantía se aplica solamente mientras el producto se encuentre dentro de los Estados Unidos.

Esta garantía le otorga derechos legales específicos, pero usted podría gozar de otros derechos en razón de su lugar de residencia.

Sears, Roebuck and Co., Hoffman Estates, IL 60179

### ESPECIFICACIONES DEL PRODUCTO

HP total:	24
Aceite del motor:	SAE 30
Combustible:	Gasolina sin plomo
Bujías:	Champion® RC12YC
Motor:	Briggs & Stratton Professional Series

### Nº DE MODELO

Número de modelo \_\_\_\_\_  
Número de serie \_\_\_\_\_  
Fecha de compra \_\_\_\_\_

Registre arriba el número de modelo,  
el número de serie y la fecha de compra.

# INSTRUCCIONES DE SEGURIDAD

## ⚠ ADVERTENCIA

La presencia de este símbolo indica que se trata de instrucciones importantes de seguridad que se deben respetar para evitar poner en peligro su seguridad personal y/o material y la de otras personas. Lea y siga todas las instrucciones de este manual antes de poner en funcionamiento esta máquina. Si no respeta estas instrucciones podría provocar lesiones personales. Cuando vea este símbolo, ¡preste atención a la advertencia!

## ⚠ ADVERTENCIA

### PROPOSICIÓN 65 DE CALIFORNIA

El escape del motor de este producto, algunos de sus componentes y algunos componentes del vehículo contienen o liberan sustancias químicas que el estado de California considera que pueden producir cáncer, defectos de nacimiento u otros problemas reproductivos. Los bornes de la batería y los accesorios afines contienen plomo y compuestos de plomo, sustancias químicas que según lo establecido por el Estado de California causan cáncer y daños en el sistema reproductivo. *Lávese las manos después de estar en contacto con estos componentes.*

## ⚠ PELIGRO

Esta máquina fue construida para ser operada de acuerdo con las reglas de seguridad contenidas en este manual. Al igual que con cualquier tipo de equipo motorizado, un descuido o error por parte del operador puede producir lesiones graves. Esta máquina es capaz de amputar manos y pies y de arrojar objetos con gran fuerza. De no respetar las instrucciones de seguridad siguientes se pueden producir lesiones graves o la muerte.

## ⚠ ADVERTENCIA

**Su responsabilidad**—Restrinja el uso de esta máquina motorizada a las personas que lean, comprendan y respeten las advertencias e instrucciones que aparecen en este manual y en la máquina.

**¡GUARDE ESTAS INSTRUCCIONES!**

## FUNCIONAMIENTO GENERAL

- Lea, entienda y cumpla todas las instrucciones incluidas en la máquina y en los manuales antes de montarla y utilizarla. Guarde este manual en un lugar seguro para consultas futuras y periódicas, así como para solicitar repuestos.
- Familiarícese con todos los controles y con el uso adecuado de los mismos. Sepa cómo detener la máquina y desactivar los controles rápidamente.
- No permita nunca que los niños menores de 14 años utilicen esta máquina. Los niños de 14 años en adelante deben leer y entender las instrucciones de operación y normas de seguridad contenidas en este manual, y en la máquina y deben ser entrenados y supervisados por un adulto.
- Nunca permita que los adultos operen esta máquina sin recibir antes la instrucción apropiada.
- Para ayudar a evitar el contacto con las cuchillas o una lesión por algún objeto que sea arrojado, mantenga a los observadores, a los ayudantes, niños y mascotas alejados al menos 25 metros de la máquina mientras está en funcionamiento. Detenga la máquina si alguien entra en la zona.
- Inspeccione minuciosamente el área donde utilizará el equipo. Retire todas las piedras, palos, cables, huesos, juguetes y otros objetos extraños que podrían ser recogidos y arrojados por la acción de las cuchillas. Los objetos arrojados por la máquina pueden producir lesiones graves.
- Planifique el patrón de corte del césped que ha de seguir para evitar la descarga de material hacia los caminos, las veredas, los observadores, etc. Evite además descargar material contra las paredes y obstrucciones que podrían provocar que el material descargado rebote contra el operador.
- Para protegerse los ojos utilice siempre anteojos o antiparras de seguridad mientras opera la máquina o mientras la ajusta o repara. Los objetos arrojados que rebotan pueden producir lesiones oculares graves.
- Utilice zapatos de trabajo resistentes, de suela fuerte, así como pantalones y camisas ajustados. Las prendas sueltas o las alhajas pueden quedar atrapadas en las piezas móviles. Nunca opere la máquina descalzo o con sandalias.
- Esté atento a la cortadora y a la dirección de la descarga de los aditamentos y no apunte a nadie. Nunca opere la cortadora de césped sin que estén en su lugar apropiado la cubierta de descarga o el colector de recortes de césped.
- No ponga las manos o los pies cerca de las piezas rotatorias o debajo de la plataforma de corte. El contacto con las cuchillas puede producir la amputación de manos y pies.
- Una cubierta de descarga faltante o dañada puede provocar el contacto con la cuchilla o lesiones por objetos arrojados.
- Detenga la(s) cuchilla(s) cuando atraviere senderos, sendas o caminos de grava y cuando no esté cortando el césped.
- Vigile el tránsito vehicular cuando esté operando cerca de o en cruces de caminos. Esta máquina no debe utilizarse en la vía pública.
- No opere esta máquina bajo los efectos del alcohol o de drogas.
- Corte el césped solamente con luz de día o con una buena luz artificial.
- Nunca transporte pasajeros.
- Desenganche la(s) cuchilla(s) antes de colocar la marcha atrás. Retroceda lentamente. Siempre mire hacia abajo y hacia atrás antes y mientras retrocede, para evitar accidentes.
- Reduzca la velocidad antes de dar la vuelta. Opere la máquina suavemente. Evite la operación errática y la velocidad excesiva.
- Desenganche la(s) cuchilla(s), coloque el freno de estacionamiento, detenga el motor y espere hasta que la(s) cuchilla(s) se detenga(n) por completo antes de retirar el colector de césped, vaciar los recortes, destapar el canal, retirar restos de césped o desechos, o hacer cualquier ajuste.

# INSTRUCCIONES DE SEGURIDAD

- Nunca deje la máquina en funcionamiento sin vigilancia. Apague siempre las cuchillas, coloque el freno de mano, detenga el motor y retire la llave antes de bajarse del vehículo.
- Tenga sumo cuidado al cargar o descargar la máquina en un remolque o camión. Esta unidad no debe conducirse en ascenso o descenso de rampas, porque podría ladearse y provocar lesiones personales graves. En las rampas la máquina se debe empujar manualmente para cargarla o descargarla correctamente.
- El silenciador y el motor se calientan y pueden causar quemaduras. No los toque.
- Revise el espacio libre por encima de la cabeza antes de conducir bajo las ramas bajas de árboles, cables, cerramientos de puertas, etc. en los cuales el operador podría atorarse o ser empujado fuera de la máquina, lo que podría resultar en lesiones graves.
- Desenganche todos los embragues de los accesorios y presione totalmente el pedal del freno antes de intentar arrancar el motor.
- La máquina está diseñada para cortar césped residencial normal, con una altura no mayor a 10". No intente cortar césped demasiado crecido, seco (por ej., pastura) ni pilas de hojas secas. El césped y las hojas secas pueden entrar en contacto con el escape del motor y/o acumularse en la plataforma de la cortadora de césped, convirtiéndose en un peligro de incendio.
- Utilice solamente accesorios y aditamentos aprobados para esta máquina por el fabricante de la misma. Lea, comprenda y siga todas las instrucciones proporcionadas con los accesorios o aditamentos aprobados. Para obtener una lista de los accesorios aprobados y los archivos adjuntos, llame 1-800-659-5917.
- Los datos estadísticos muestran que los operadores de 60 años y mayores se ven involucrados en un alto porcentaje de lesiones relacionadas con tractores corta césped. Estos operadores deben evaluar su capacidad para operar el tractor corta césped en forma suficientemente segura para protegerse a ellos mismos y a los demás contra lesiones graves.
- Si se presentan situaciones que no están previstas en este manual sea cuidadoso y use el sentido común. Contacto 1-800-659-5917 para información y asistencia.
- Vaya a baja velocidad. Elija una velocidad lo suficientemente baja, de modo que no tenga que detenerse o hacer cambios mientras está sobre la pendiente. Los neumáticos podrían perder tracción sobre las pendientes aún cuando los frenos funcionaran apropiadamente. Siempre mantenga la máquina en cambio mientras desciende las pendientes, para poder frenar con el motor.
- Siga las recomendaciones del fabricante para los pesos o contrapesos de las ruedas, para mejorar la estabilidad de la máquina. Para recomendaciones, llame al 1-800-659-5917.
- Tenga especial cuidado con los colectores de césped u otros aditamentos. Los mismos pueden modificar la estabilidad de la máquina.
- Haga que todos los movimientos en las pendientes sean lentos y graduales. No cambie repentinamente la velocidad ni la dirección. Un frenado o cambio de velocidad repentinos pueden causar que el frente de la máquina se levante y dé una voltereta hacia atrás, lo que podría producir lesiones graves.
- Evite arrancar o detenerse en una pendiente. Si los neumáticos pierden la tracción, desenganche las cuchillas y descienda lentamente la pendiente.

## No haga lo siguiente:

- No gire sobre las pendientes a menos que sea necesario. Si es posible, gire lentamente y gradualmente durante el descenso.
- No corte el césped cerca de pozos, hundimientos o terraplenes. La cortadora de césped puede volcarse repentinamente si una de las ruedas está sobre el borde de un acantilado, zanja o si un borde se desmorona.
- No intente estabilizar la máquina poniendo el pie en el suelo.
- No utilice un colector de césped en pendientes empinadas.
- No pade el césped húmedo. Una menor tracción podría causar derrapes.
- No para descender. El exceso de velocidad puede hacer que el operador pierda el control de la máquina, ocasionando lesiones graves e incluso la muerte.
- No remolque cargas pesadas detrás de los aditamentos (carrito de basura cargado, podadora de rodillos, etc) en pendientes mayores de 5 grados. Cuando se desplaza pendiente abajo, el peso adicional tiende a empujar el tractor y puede hacer que se pierda el control del mismo (por ejemplo, el tractor se puede acelerar, se reduce la capacidad para frenar y maniobrar, los accesorios pueden plegarse como un cortaplumas y hacer que el tractor vuelque).

## FUNCIONAMIENTO EN PENDIENTES

Las pendientes son un factor importante relacionado con accidentes por derrape y vuelcos que pueden producir lesiones graves e incluso la muerte. La operación en pendientes requiere mayor precaución. Si no puede retroceder en la pendiente o si no se siente seguro, no realice ninguna operación de corte.

Para su seguridad, use el indicador de pendientes que se incluye como parte de este manual para medir la pendiente antes de operar la máquina en una zona inclinada. Si la pendiente es mayor de 15 grados según el medidor, no opere esta máquina en ese sector, pues podría causar lesiones graves.

### Haga lo siguiente:

- Pude hacia arriba y abajo de las pendientes, no de forma transversal. Tenga cuidado cuando cambie de dirección al operar en pendiente.
- Esté atento a los hoyos, surcos, baches, rocas, u otros objetos ocultos. El terreno desnivelado puede voltear la máquina. El césped alto puede ocultar obstáculos.

## NIÑOS

Pueden ocurrir accidentes trágicos si el operador no está atento a la presencia de niños. Por lo general, los niños se sienten atraídos por este tipo de máquinas y su funcionamiento. No entienden los riesgos ni los peligros. Nunca asuma que los niños permanecerán en el mismo lugar donde los vio por última vez.

- Mantenga a los niños fuera del área de trabajo y bajo estricta vigilancia de un adulto responsable además del propio operador.
- Esté alerta y apague la máquina si un niño ingresa al área.
- Antes y mientras está retrocediendo, mire hacia atrás y cuide que no haya niños.
- Nunca transporte niños, aún con la cuchilla apagada. Podrían caerse y resultar severamente heridos o interferir con la operación segura de la máquina.
- Tenga extrema precaución cuando se aproxime a esquinas ciegas, portales, arbustos, árboles u otros objetos que puedan impedirle ver a un niño que se cruce en el recorrido de la máquina.



# INSTRUCCIONES DE SEGURIDAD

- Para evitar accidentes al operar en marcha atrás, siempre desenganche las cuchillas antes de colocar marcha atrás. Si está instalado, el "Modo Precaución Marcha Atrás" (hojas de operar la máquina, mientras que los paseos a la inversa) no debe utilizarse cuando hay niños u otras personas presentes.
- Mantenga a los niños alejados de los motores en marcha o calientes. Pueden sufrir quemaduras con un silenciador caliente.
- Retire la llave cuando deje la máquina sin vigilancia, evite que una persona sin autorización la maneje.

No permita nunca que los niños menores de 14 años utilicen esta máquina. Los niños de 14 años en adelante deben leer y entender las instrucciones de operación y normas de seguridad contenidas en este manual, y en la máquina y deben ser entrenados y supervisados por un adulto.

## REMOLQUE

- Remolque únicamente con una máquina que cuente con un enganche diseñado para remolcar. No acople equipo remolcado excepto en el punto de enganche.
- Siga las recomendaciones del fabricante en lo que respecta a los límites de peso de los equipos a remolcar y al remolque en pendientes. Para recomendaciones, llame al 1-800-659-5917.
- Nunca permita la presencia de niños u otras personas dentro o sobre los equipos remolcados.
- En las pendientes, el peso del equipo remolcado puede causar pérdida de tracción y pérdida de control de la máquina.
- Siempre use extra la precaución remolcando con una máquina capaz de hacer vueltas apretadas (p.ej paseo "de vuelta cero" - en el cortacésped). Haga amplias vueltas para evitar al gato-knifing.
- Desplácese lentamente y deje distancia adicional para frenado.
- No para descender.

## SERVICIO

### Manejo seguro de la gasolina

Para evitar lesiones personales o daños materiales sea sumamente cuidadoso al manipular la gasolina. La gasolina es sumamente inflamable y sus vapores pueden causar explosiones. Se puede lesionar gravemente si derrama gasolina sobre usted o sobre la ropa, ya que ésta se puede incendiar. Lávese la piel y cámbiese de ropa de inmediato.

- Utilice sólo los recipientes para gasolina autorizados.
- Nunca llene los recipientes en el interior de un vehículo o camión o caja de remolque con recubrimiento plástico. Coloque siempre los recipientes en el piso y lejos del vehículo antes de realizar la carga.
- Cuando sea factible, retire el equipo a gasolina del camión o remolque y llénelo en el suelo. Si esto no es posible, llene el equipo en un remolque con un contenedor portátil, en vez de hacerlo con una boquilla dispensadora de gasolina.
- Mantenga la boquilla de llenado en contacto con el borde del depósito de combustible o con la abertura del recipiente en todo momento, hasta terminar la carga. No utilice un dispositivo de boquilla de apertura/cierre.

- Apague todos los cigarrillos, cigarros, pipas y otras fuentes de combustión.
- Nunca cargue combustible en la máquina en un espacio cerrado.
- Nunca saque la tapa del combustible ni agregue combustible mientras el motor está caliente o en marcha. Deje que el motor se enfríe por lo menos dos minutos antes de volver a cargar combustible.
- Nunca llene en exceso el depósito de combustible. Llene el tanque no más de ½ pulgada por debajo de la base del cuello del tapón de carga, para dejar espacio para la expansión del combustible.
- Vuelva a colocar la tapa de la gasolina y ajústela bien.
- Limpie el combustible que se haya derramado sobre el motor y el equipo. Traslade la máquina a otra zona. Espere 5 minutos antes de encender el motor.
- Para reducir el riesgo de incendio, mantenga la máquina limpia de pasto, hojas y de acumulación de otros residuos. Limpie los derrames de aceite o combustible y saque todos los residuos embebidos de combustible.
- Nunca guarde la máquina o el recipiente de combustible en un espacio cerrado donde haya fuego, chispas o luz piloto, como por ejemplo de calentadores de agua, calefactores de ambientes, hornos, secadores de ropa u otros aparatos a gas.
- Deje que la máquina se enfríe cinco minutos por lo menos antes de guardarla.

### Servicio general

- Nunca encienda el motor en espacios cerrados o en una zona con poca ventilación. El escape del motor contiene monóxido de carbono, un gas inodoro y letal.
- Antes de limpiar, reparar o inspeccionar la máquina, compruebe que la(s) cuchilla(s) y todas las partes en movimiento se hayan detenido. Desconecte el cable de la bujía y póngalo haciendo masa contra el motor para evitar que se encienda accidentalmente.
- Revise periódicamente para asegurarse que las cuchillas se detengan por completo en aproximadamente cinco (5) segundos después de accionar el control de desenganche de la(s) cuchilla(s). Si las cuchillas no se detienen dentro de este lapso de tiempo, su unidad deberá ser reparada por su distribuidor de servicio autorizado MTD.
- Revise con frecuencia el funcionamiento del sistema de frenos ya que está sujeto a desgaste por la operación normal. Ajuste y efectúe mantenimiento según se requiera.

# INSTRUCCIONES DE SEGURIDAD

- Revise los pernos de montaje de la(s) cuchilla(s) y del motor a intervalos frecuentes para verificar que estén bien apretados. Además, inspeccione visualmente la(s) cuchilla(s) en busca de daños (por ejemplo, desgaste excesivo, abolladuras, rajaduras, etc.). Reemplace la(s) cuchilla(s) únicamente con las cuchillas de fabricantes de equipos originales (O.E.M.) listadas en este manual. El uso de piezas que no cumplen con las especificaciones del equipo original podría tener como resultado un rendimiento incorrecto y además poner en riesgo la seguridad.
- Las cuchillas de las podadoras son muy afiladas. Envuelva la cuchilla o utilice guantes y extreme las precauciones cuando efectúe mantenimiento.
- Mantenga todos los pernos, tuercas y tornillos bien ajustados para asegurarse de que la máquina se encuentra en condiciones seguras de operación.
- Nunca altere el sistema de enclavamiento de seguridad ni otros mecanismos de seguridad. Controle periódicamente que funcionen correctamente.
- Después de golpear con algún objeto extraño, detenga el motor, desconecte el cable de la bujía y conecte el motor a masa. Inspeccione minuciosamente la máquina para ver si está dañada. Repare el daño antes de arrancar y utilizar la máquina.
- Nunca trate de hacer ajustes o reparaciones a la máquina mientras el motor está en marcha.
- Los componentes del colector de césped y la cubierta de descarga, están sujetos a desgaste y daños que podrían dejar expuestas partes en movimiento o permitir que se arrojen objetos. Para proteger su seguridad, verifique frecuentemente todos los componentes y reemplácelos inmediatamente sólo con piezas de los fabricantes del equipo original, listados en este manual. El uso de piezas que no cumplen con las especificaciones del equipo original podría tener como resultado un rendimiento incorrecto y además poner en riesgo la seguridad.
- No cambie la configuración del regulador del motor ni lo opere a sobrevelocidad. El regulador del motor controla la velocidad máxima segura de funcionamiento del motor.
- Mantenga o reemplace las etiquetas de seguridad e instrucciones según sea necesario.
- Respete las normas referentes a la disposición correcta y las reglamentaciones sobre gasolina, aceite, etc. para proteger el medio ambiente.
- Según la Comisión de Seguridad de Productos para el Consumidor de los Estados Unidos (CPSC) y la Agencia de Protección Ambiental de los Estados Unidos (EPA), este producto tiene una vida útil media de siete (7) años, ó 270 horas de funcionamiento. Al finalizar la vida útil media, adquiera una máquina nueva o haga inspeccionar anualmente ésta Sears por uno u otro distribuidor de servicios para cerciorarse de que todos los sistemas mecánicos y de seguridad funcionan correctamente y no tienen excesivo desgaste. Si no lo hace, pueden producirse accidentes, lesiones o muerte.

## NO MODIFIQUE EL MOTOR

Para evitar lesiones graves o la muerte, no modifique el motor bajo ninguna circunstancia. Si cambia la configuración del regulador del motor el motor puede descontrolarse y operar a velocidades inseguras. Nunca cambie la configuración de fábrica del regulador del motor.

## AVISO REFERIDO A EMISIONES

Los motores que están certificados y cumplen con las regulaciones de emisiones federales EPA y de California para SORE (Equipos pequeños todo terreno) están certificados para operar con gasolina común sin plomo y pueden incluir los siguientes sistemas de control de emisiones: Modificación de motor (EM) y catalizador de tres vías (TWC) si están equipados de esa manera.

## GUARDACHISPAS

### ⚠ ADVERTENCIA

Esta máquina está equipada con un motor de combustión interna y no debe ser utilizada en o cerca de un terreno agreste cubierto por bosque, malezas o hierba excepto si el sistema de escape del motor está equipado con un amortiguador de chispas que cumpla con las leyes locales o estatales correspondientes, en caso de haberlas.

Si se utiliza un amortiguador de chispas el operador lo debe mantener en condiciones de uso adecuadas. En el Estado de California las medidas anteriormente mencionadas son exigidas por ley (Artículo 4442 del Código de Recursos Públicos de California). Es posible que existan leyes similares en otros estados. Las leyes federales se aplican en territorios federales.

Puede conseguir el amortiguador de chispas para el silenciador a través de su distribuidor autorizado de motores o poniéndose en contacto con el centro de servicio Sears.

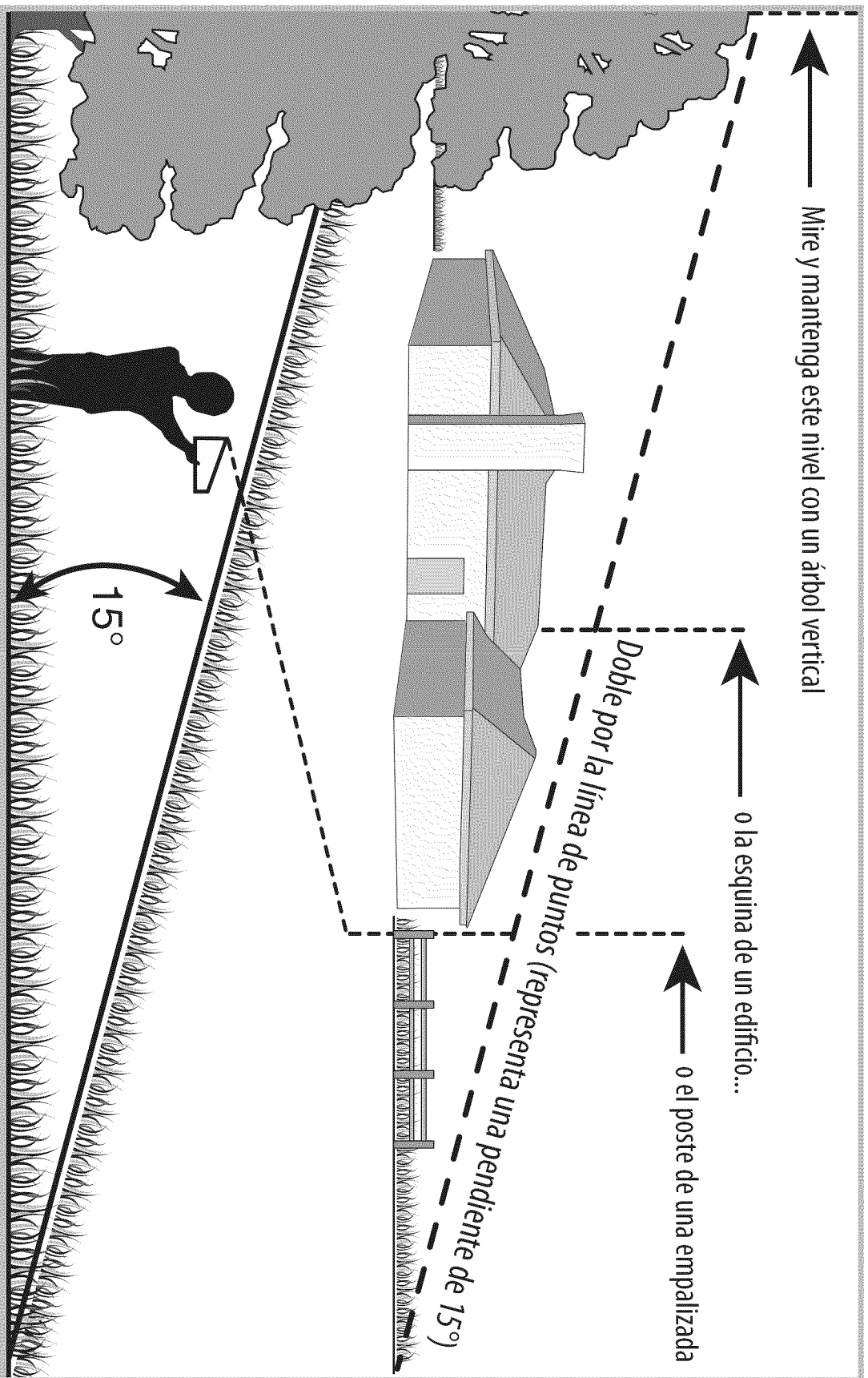
# INSTRUCCIONES DE SEGURIDAD

## SÍMBOLOS DE SEGURIDAD

Esta página representa y describe la seguridad los símbolos que pueden parecer en este producto. Lea, comprenda, y siga todas instrucciones en la máquina antes procurar para reunir y operar.

Symbol	Description
	LEA EL MANUAL(S) DEL OPERADOR leído, entienda, y siga todas las instrucciones en el manual(s) antes de procurar montar y funcionar
	PELIGRO— DÉ EL CORTE DE PIE Nunca transporte pasajeros. Nunca transporte niños, aún con la cuchilla apagada.
	PELIGRO— DÉ EL CORTE DE PIE Retroceda lentamente. Siempre mire hacia abajo y hacia atrás antes y mientras retrocede, para evitar accidentes.
	PELIGRO— DÉ EL CORTE DE PIE Guarde manos y pies lejos de hacer girar partes.
	PELIGRO— ESCOMBROS LANZADOS Quite objetos que pueden ser lanzados por la lámina en cualquier dirección. Lleve gafas de seguridad..
	PELIGRO— ESCOMBROS LANZADOS Quite objetos que pueden ser lanzados por la lámina en cualquier dirección. Lleve gafas de seguridad.
	PERSONAS PRESENTES Guarde a las personas presentes, a los ayudantes y a niños por lo menos 75 pies lejos.
	PELIGRO— CUESTAS Use extra la precaución en cuestas. No siegue cuestas mayores que 15°.
	ADVERTENCIA — SUPERFICIE CALIENTE Las partes del motor, especialmente el silenciador, llega a ser muy caliente durante la operación. Permita motor y silenciador para ponerse frío antes de tocar.
	PELIGRO— GIRANDO HOJAS Para reducir el riesgo de herida, guarde manos y pies lejos. No funcione a menos que la tapa de descarga o el receptor de hierba estén en su lugar apropiado. De ser dañado, sustituya inmediatamente.

# INSTRUCCIONES DE SEGURIDAD



## ⚠️ ADVERTENCIA

**Use esta página como guía para determinar en qué pendientes no puede operar el tractor de manera segura.**

No opere la cortadora de césped en dichas pendientes. No corte en inclinaciones mayores de 15 grados (elevación aproximada de 2 1/2 pies por cada 10 pies). El tractor corta césped podría voltearse y causar lesiones graves. En las pendientes opere con los tractores corta-césped hacia arriba y abajo, nunca de forma transversal.

Esta página se marchó intencionadamente en blanco.

# MONTAJE

## PREPARACIÓN DEL TRACTOR

### Movimiento manual del tractor

La transmisión de su tractor viene equipada con una válvula de descarga hidrostática para ocasiones cuando es necesario mover el tractor manualmente. Al abrir esta válvula el líquido en la transmisión puede evitar su ruta normal, permitiendo que los neumáticos traseros "rueden libremente". Para abrir la válvula de descarga hidrostática, proceda de la siguiente manera:

1. Localice la varilla de derivación hidrostática en la parte trasera del tractor. Vea la Figura 1.

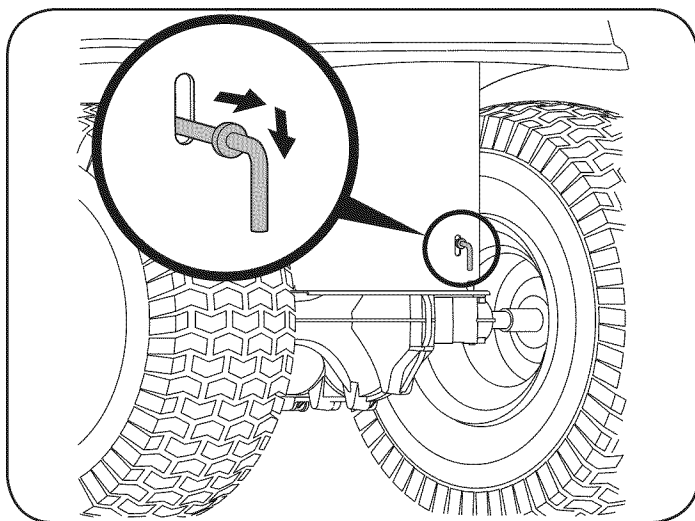


Figura 1

2. Tire de la varilla de derivación hidrostática hacia afuera, luego hacia abajo para trabarla en su lugar.

**NOTA:** La transmisión NO se enganchará cuando la varilla de derivación hidrostática se tire hacia fuera. Regrese la varilla a su posición normal antes de operar el tractor.

### ⚠ PRECAUCIÓN

Nunca intente mover el tractor manualmente sin primero abrir la válvula de descarga hidrostática. De hacerlo, puede dañarse seriamente la transmisión del tractor.

### Extracción de la traba de seguridad utilizada en el envío

#### ⚠ ADVERTENCIA

Asegúrese de que el motor del tractor corta césped esté apagado, quite la llave de encendido y coloque el freno de mano antes de retirar la traba de seguridad utilizada en el envío.

1. Localice la traba de seguridad, si hubiere, y la etiqueta de advertencia encontrada en la parte derecha de la plataforma de corte. Vea la Figura 2.

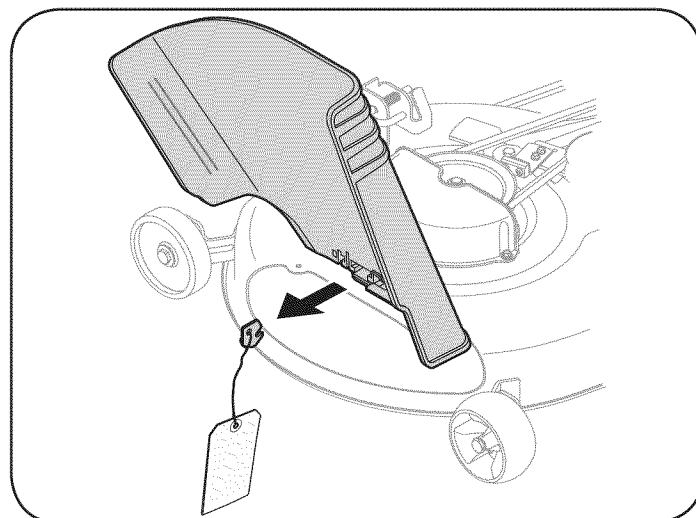


Figura 2

2. Mientras sostiene el canal de descarga con la mano izquierda, extraiga con la derecha la traba de seguridad, sujetándola entre los dedos pulgar e índice y rotándola en el sentido de las agujas del reloj.

#### ⚠ ADVERTENCIA

La traba de seguridad se usa únicamente para el embalaje. Retire y deseche la traba de seguridad utilizada en el envío antes de operar su tractor corta césped.

#### ⚠ ADVERTENCIA

La plataforma de la cortadora de césped puede arrojar objetos. En caso de operar la cortadora de césped sin colocar la cubierta de descarga en la posición de funcionamiento adecuada, podrían producirse graves lesiones personales y/o daños materiales.

# MONTAJE

## CONEXIÓN DE LOS CABLES DE LA BATERÍA

### ⚠ ADVERTENCIA

Los bornes de la batería y los accesorios afines contienen plomo y compuestos de plomo, sustancias químicas que según lo establecido por el Estado de California causan cáncer y daños en el sistema reproductivo. Lávese las manos después de estar en contacto con estos componentes.

### ⚠ PRECAUCIÓN

Cuando coloque los cables de la batería, conecte siempre primero el cable POSITIVO (rojo) a su borne, y a continuación el cable NEGATIVO (negro).

Para conectar los cables de la batería, proceda de la siguiente manera:

**NOTA:** El borne positivo de la batería está marcado como Pos (+). El borne negativo de la batería está marcado como Neg (-).

1. Retire la cubierta plástica, si la hay, del borne positivo (+) de la batería y una el cable rojo al borne positivo de la batería (+) con el perno y la tuerca hexagonal. Vea la Figura 3.

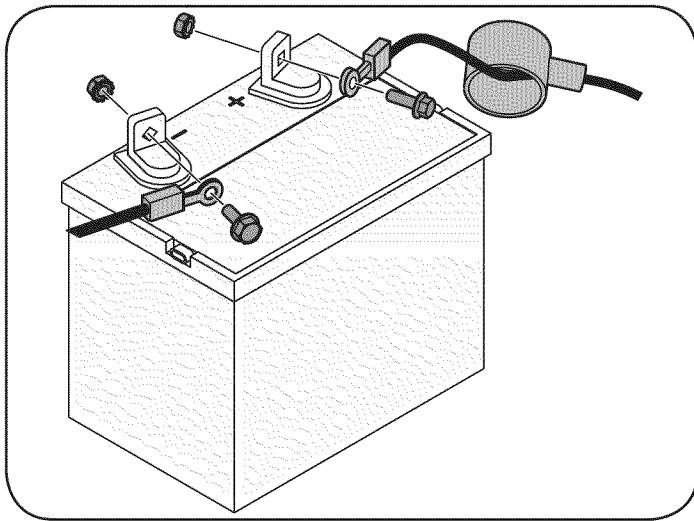


Figura 3

2. Retire la cubierta plástica, si la hay, del borne negativo (-) de la batería y una el cable negro al borne negativo (-) de la batería con el perno y la tuerca hexagonal. Vea la Figura 3.
3. Coloque el capuchón de goma rojo por encima del borne positivo de la batería para protegerlo contra la corrosión.

**NOTA:** Si la batería se pone en funcionamiento después de la fecha indicada en su parte superior o al costado de la misma, cárguela siguiendo las instrucciones de la sección Servicio y Mantenimiento de este manual del operador antes de hacer funcionar el tractor.

## Control de la presión de los neumáticos

### ⚠ ADVERTENCIA

No infle los neumáticos en exceso. Consulte en los laterales de los neumáticos la presión máxima en psi. Se debe mantener una presión uniforme para todos los neumáticos en todo momento.

Es posible que los neumáticos del tractor hayan sido inflados en exceso para despacharlo. Reduzca la presión de los neumáticos antes de operar el tractor. Consulte en los laterales de los neumáticos la presión máxima en psi

## Ajuste de las ruedas de calibración de la plataforma

Mueva el tractor a una superficie firme y nivelada, preferentemente sobre el pavimento, y realice lo siguiente.

1. Seleccione la posición de altura de la plataforma de corte colocando la palanca de elevación de la plataforma en el ajuste de altura de corte deseado en situación normal (cualquiera de las seis muescas de altura de corte del lado derecho del guardabarros).
2. Controle si las ruedas de calibración están en contacto con la superficie de abajo o si hay excesiva separación. Debe haber una separación de entre  $\frac{1}{4}$  de pulgada y  $\frac{1}{2}$  pulgada entre las ruedas de calibración y el suelo.

Si las ruedas de calibración tienen excesiva separación respecto del suelo o están en contacto con el mismo, ajuste del siguiente modo:

- a. Levante la manija de elevación de la plataforma hasta el punto más alto.
- b. Retire las ruedas de calibración delanteras y traseras retirando las contratuercas y los tornillos con reborde que las sujetan a la plataforma. Vea la Figura 4.

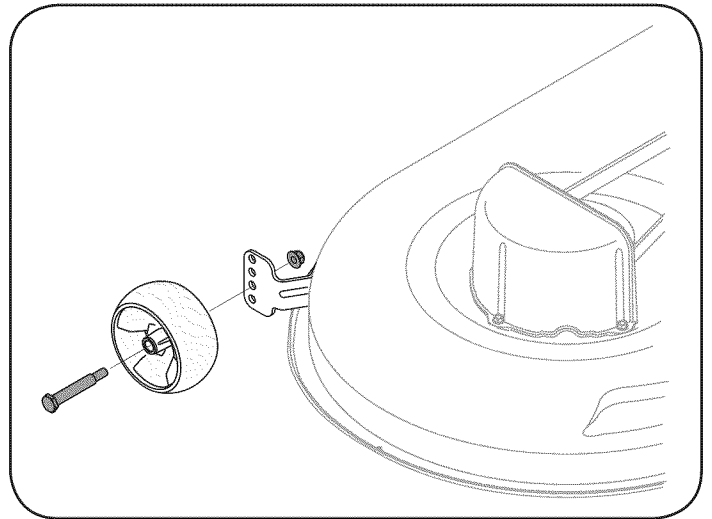


Figura 4

- c. Coloque la palanca de elevación de la plataforma en el punto de altura de corte deseado.
- d. Vuelva a insertar el tornillo con reborde (de cada rueda de calibración) dentro del orificio de posicionamiento que deja aproximadamente  $\frac{1}{2}$  pulgada entre la parte inferior de la rueda y el pavimento.

Consulte la sección Nivelación de la plataforma en la sección Servicio y Mantenimiento de este manual para obtener instrucciones detalladas sobre diferentes ajustes de la plataforma.

# MONTAJE

## Ajuste del asiento

Para ajustar la posición del asiento, tírelo hacia arriba y sostenga la palanca de ajuste del asiento. Deslice el asiento hacia adelante o hacia atrás a la posición deseada; luego suelte la palanca de ajuste. Asegúrese de que el asiento esté trabado en un tope de asiento antes de operar el tractor. Vea la Figura 5.

### ⚠ ADVERTENCIA

Antes de operar el tractor, asegúrese de que el asiento esté enganchado en el tope del asiento. Coloque el freno de mano. Párese detrás de la máquina y tire del asiento hacia atrás hasta que encaje en su lugar haciendo clic.

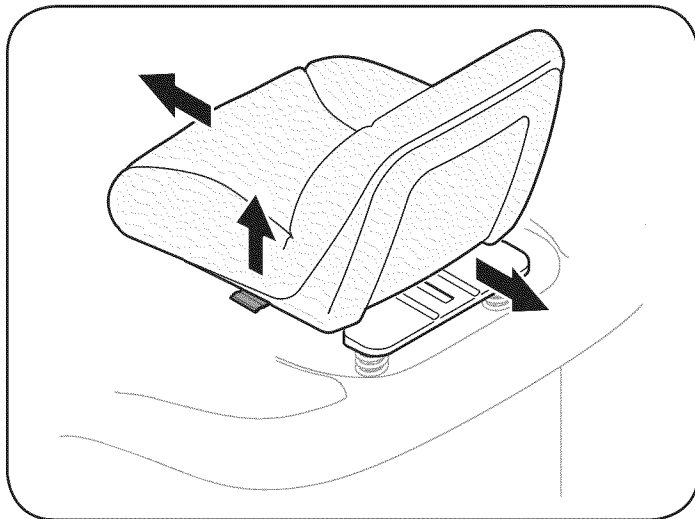


Figura 5

## Gasolina y aceite

El tanque de combustible está ubicado debajo del capó y tiene una capacidad de tres galones y medio. Quite la tapa de combustible girándola en sentido contrario al de las agujas del reloj. Utilice únicamente gasolina limpia, nueva (no más de 30 días de uso) y sin plomo. No llene en exceso el tanque de combustible.

### ⚠ ADVERTENCIA

Tenga mucho cuidado al trabajar con gasolina. La gasolina es sumamente inflamable y sus vapores pueden causar explosiones. Nunca agregue combustible a la máquina en interiores ni mientras el motor está caliente o en funcionamiento. Apague cigarrillos, cigarros, pipas y otras fuentes de combustión.

**NOTA:** Su tractor se envía con aceite en el motor. Sin embargo, usted DEBE controlar el nivel de aceite antes de hacerlo funcionar. Vea Control del aceite del motor en la sección Servicio y Mantenimiento de este manual.

### ⚠ PRECAUCIÓN

Controle siempre el nivel de aceite del motor antes de cada uso como se indica en la sección Mantenimiento. Agregue aceite según sea necesario. De no hacerlo se pueden producir daños graves al motor.



# CONOZCA SU CORTADORA DE CÉSPED

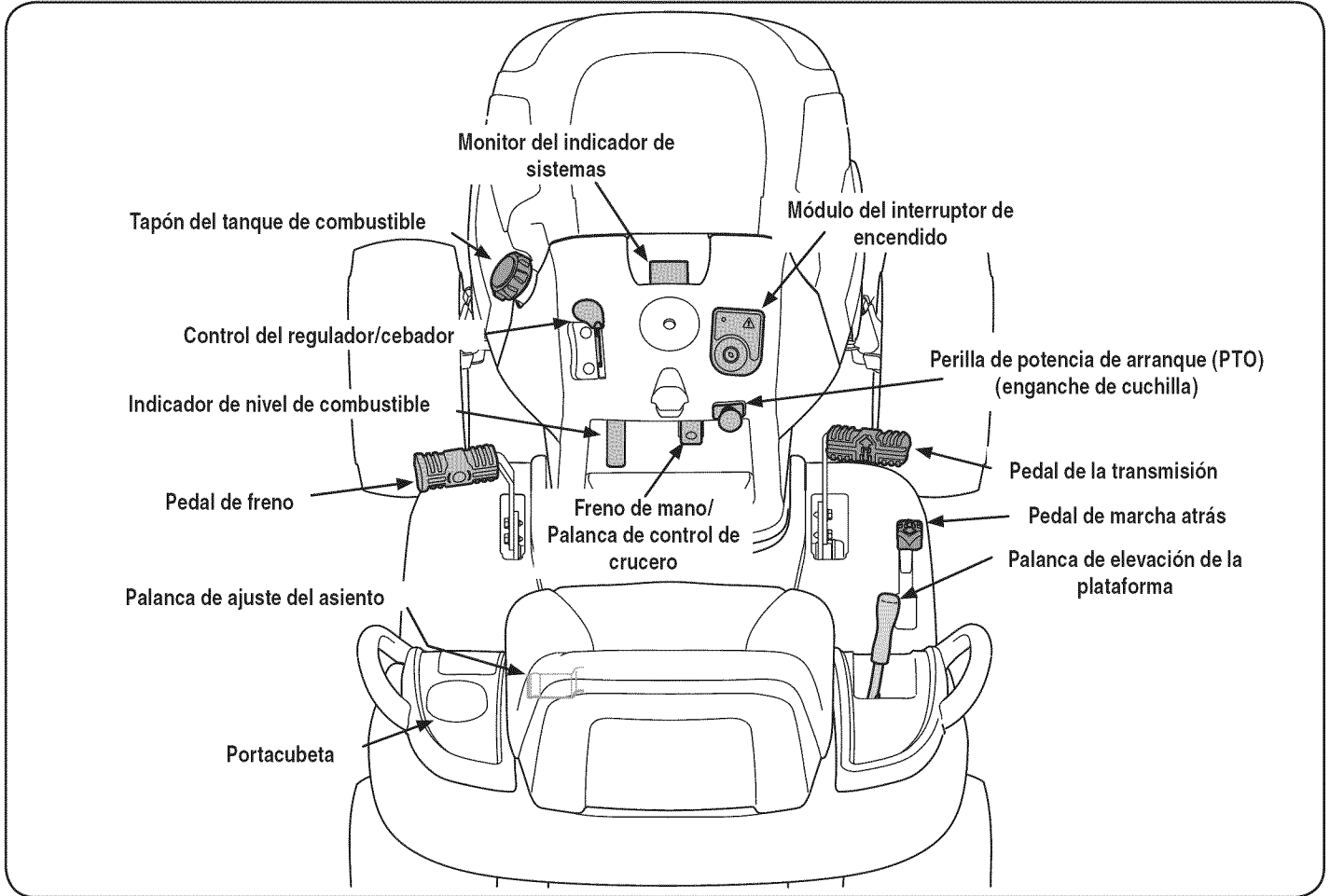


Figura 6

Los controles y funciones del tractor corta césped se ilustran en la Figura 6 y se describen en las páginas siguientes.

## ⚠️ ADVERTENCIA

Lea y respete todas las normas de seguridad y las instrucciones de este manual, incluida la sección Funcionamiento en su totalidad, antes de intentar operar esta máquina. Si no respeta todas las normas de seguridad y las instrucciones puede causar lesiones personales.

### CONTROL DEL REGULADOR/CEBADOR

El control del regulador/cebador se encuentra del lado izquierdo del panel de instrumentos del tractor. Esta palanca controla la velocidad del motor y cuando se la empuja totalmente hacia adelante, cierra el cebador para un inicio en frío. Cuando se lo coloca en una posición determinada, el regulador mantiene una velocidad de motor uniforme.

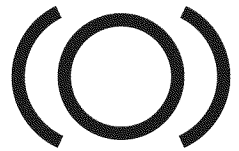
**NOTA:** Cuando haga funcionar el tractor con la plataforma de corte colocada, asegúrese de que el control del regulador/cebador esté siempre en la posición FAST (rápido; representado por una liebre).



### PEDAL DE FRENO

El pedal de freno está ubicado adelante a la izquierda del tractor, sobre el estribo. El pedal de freno se puede usar para detenciones bruscas o para colocar el freno de mano.

**NOTA:** Se debe presionar totalmente el pedal del freno para activar el interruptor del dispositivo de enclavamiento al encender el tractor.

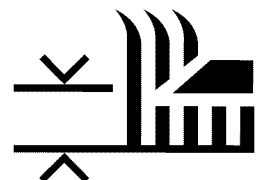


### PALANCA DE AJUSTE DEL ASIENTO

La palanca de ajuste del asiento está ubicada debajo del asiento, adelante a la izquierda. La palanca permite el ajuste del asiento del operador, hacia adelante o hacia atrás. Consulte la sección Montaje de este manual para ver instrucciones más detalladas.

### PALANCA DE ELEVACIÓN DE LA PLATAFORMA

Ubicada en el guardabarros derecho del tractor, la palanca de elevación de la plataforma se utiliza para cambiar la altura de la plataforma de corte. Para utilizarla, mueva la palanca hacia la izquierda, luego colóquela en la muesca que mejor se adapte a la aplicación deseada.

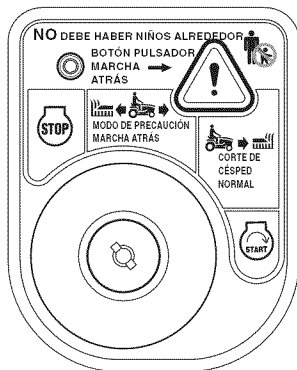


# CONOZCA SU CORTADORA DE CÉSPED

## MÓDULO DEL INTERRUPTOR DE ENCENDIDO

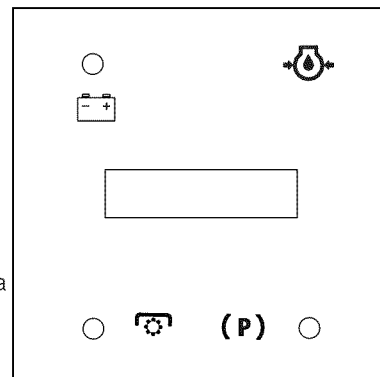
Para encender el motor, inserte la llave en el interruptor de encendido y gírela en el sentido de las agujas del reloj hacia la posición START (encendido). Suelte la llave en la posición MODO NORMAL DE CORTE una vez que haya arrancado el motor.

Para detener el motor, gire la llave de encendido en sentido contrario a las agujas del reloj hasta la posición STOP (parar).



## LCD MONITOR INDICADOR DE SISTEMAS/ MEDIDOR HORARIO

Cuando la llave de encendido se rota fuera de la posición STOP (parar) pero no se coloca en la posición START (encendido), el monitor indicador de sistemas muestra la salida de la batería, en voltios, en su LCD (pantalla de cristal líquido) durante aproximadamente cinco segundos, y después muestra un reloj de arena y las horas de funcionamiento del tractor. Una vez que haya arrancado el tractor, el monitor continuamente muestra un reloj de arena y las horas de funcionamiento del tractor en su LCD.



### ⚠ ADVERTENCIA

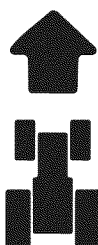
Nunca deje la máquina en funcionamiento sin vigilancia. Siempre desconecte la potencia de arranque (PTO), coloque el freno de mano, apague el motor y retire la llave, para evitar que alguien encienda accidentalmente el motor.

### ⚠ PRECAUCIÓN

Antes de operar el tractor, consulte Interruptores de Bloqueo de Seguridad y Arranque del Motor en la sección Funcionamiento de este manual para ver instrucciones detalladas del Módulo del Interruptor de Encendido y del funcionamiento del tractor en el MODO PRECAUCIÓN MARCHA ATRÁS.

## PEDAL DE LA TRANSMISIÓN

El pedal de la transmisión está ubicado a la derecha del tractor, sobre el estribo. Presione el pedal de transmisión hacia adelante para que el tractor se mueva hacia adelante. La velocidad absoluta también se controla con el pedal de la transmisión. Cuanto más se presione el pedal hacia adelante, más rápido se moverá el tractor. El pedal volverá a su posición original cuando deje de presionarlo.



## PEDAL DE MARCHA ATRÁS

El pedal de marcha atrás está ubicado a la derecha del tractor, sobre el estribo. La velocidad absoluta también se controla con el pedal de marcha atrás. Cuanto más se presione el pedal hacia abajo, más rápido se moverá el tractor. El pedal volverá a su posición original cuando deje de presionarlo.



**NOTA:** Las horas de funcionamiento del tractor se registran cada vez que la llave de encendido se rota fuera de la posición STOP (parar), independientemente de que se haya arrancado el motor.

El monitor indicador también le recuerda al operador los intervalos de mantenimiento para cambiar el aceite del motor. La pantalla de cristal líquido parpadea alternativamente las horas registradas, "CHG" (CAMBIO) y "OIL" (ACEITE) durante cinco minutos, después de que hayan pasado 50 horas de funcionamiento registrado. El intervalo de mantenimiento dura dos horas (entre 50-52, 100-102, 150-152, etc.) La pantalla de cristal líquido también parpadea según se describe más arriba, durante cinco minutos, cada vez que el motor del tractor se enciende durante el intervalo de mantenimiento. Antes de que finalice el intervalo, cambie el aceite del motor según se indica en la sección Servicio y Mantenimiento de este Manual del Operador.

## Freno

Si se ilumina la luz de freno al intentar encender el motor del tractor, presione el pedal del freno.

## Potencia de arranque (PTO) (enganche de cuchilla)

Si la luz de la potencia de arranque (PTO) se ilumina al intentar encender el motor del tractor, coloque la perilla de potencia de arranque (PTO) en la posición apagado (OFF).

## Aceite

Es normal que la luz de aceite se ilumine cuando el motor está girando durante el arranque, pero si se ilumina durante la operación, cuando el motor está funcionando, detenga el tractor de inmediato y controle el nivel de aceite del motor según las instrucciones de este Manual del operador.

## Batería

Es normal que la luz de la batería se ilumine cuando el motor está girando durante el arranque, pero si se ilumina durante la operación, cuando el motor está funcionando, la batería necesita carga o el sistema de carga del motor no está generando amperaje suficiente. Cargue la batería como se indica en la sección Servicio de este manual o haga que el sistema de carga sea verificado por su distribuidor Sears u otro distribuidor de servicio calificado.

# CONOZCA SU CORTADORA DE CÉSPED

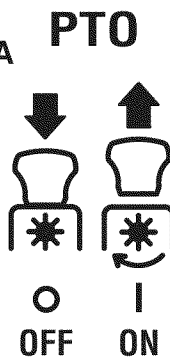
## INDICADOR DE NIVEL DE COMBUSTIBLE

El indicador de nivel de combustible está ubicado a la derecha del panel de instrumentos del tractor e indica la cantidad de combustible en el tanque.



## POTENCIA DE ARRANQUE (PTO)/ENGANCHE DE CUCHILLA

Al conectar la potencia de arranque (PTO) se suministra alimentación a la plataforma de corte o a otros accesorios (disponibles por separado). Tire hacia afuera de la potencia de arranque/enganche de cuchilla para activarla. Presione la perilla potencia de arranque (PTO)/enganche de cuchilla para desconectar la energía de la plataforma de corte u otros accesorios (disponibles por separado).



**NOTA:** Al encender el motor, la perilla potencia de arranque (PTO)/enganche de cuchilla debe encontrarse en la posición de apagado (OFF).

## FRENO DE MANO / PALANCA DE CONTROL DE CRUCERO

Localizada en el centro del panel de instrumentos del tractor debajo del volante, el freno de mano/palanca de control de crucero se utiliza para conectar el freno de mano y el control de crucero. Consulte la sección de Funcionamiento de este manual para ver instrucciones detalladas con respecto al freno de mano.

**NOTA:** Si el operador abandona el asiento y deja el motor funcionando, deberá colocar el freno de mano, o el motor se apagará de forma automática.

**NOTA:** El control de crucero NO podrá activarse a la velocidad absoluta más rápida del tractor. Si el operador intenta activarlo en esas condiciones, el tractor se desacelerará automáticamente a la velocidad de corte absoluta óptima y más rápida.



## ⚠ ADVERTENCIA

Nunca deje la máquina en funcionamiento sin vigilancia. Siempre desconecte la PTO (perilla de enganche de cuchilla, coloque el freno de mano, apague el motor y retire la llave, para evitar que alguien encienda accidentalmente el motor.

# FUNCIONAMIENTO

## INTERRUPTORES DE BLOQUEO DE SEGURIDAD

Este tractor está equipado con un sistema de bloqueo de seguridad para protección del operador. Si el sistema de bloqueo funciona mal, no se debe hacer funcionar el tractor. Comuníquese con Sears u otro distribuidor de servicio calificado.

- El sistema de bloqueo de seguridad impide que el motor arranque o se encienda a menos que esté colocado el freno de mano, y la palanca de potencia de arranque (enganche de cuchilla) esté en posición desconectada (OFF).
- Si el operador abandona su asiento antes de colocar el freno de mano, el motor se apagará automáticamente.
- El embrague de la potencia de arranque (PTO) (enganche de cuchilla) eléctrica se apagará automáticamente si el operador abandona el asiento del tractor con la perilla de la potencia de arranque (PTO) (enganche de cuchilla) en la posición de encendido (ON), independientemente de que el freno de mano esté colocado o no.
- Con la llave de encendido en la posición de CORTE NORMAL, el embrague de la PTO (enganche de cuchilla) eléctrica se desconectará automáticamente si la perilla de la potencia de arranque (enganche de cuchilla) se coloca en posición de encendido (ON) con el pedal de transmisión en marcha atrás.

### ⚠ ADVERTENCIA

No opere el tractor si el sistema de bloqueo funciona mal. El sistema fue diseñado para brindarle seguridad y protección.

## ENCENDIDO DEL MOTOR

**NOTA:** Consulte la sección Preparación y Montaje de este manual para obtener instrucciones sobre el llenado de aceite y gasolina.

1. Inserte la llave del tractor en el módulo del interruptor de encendido.
2. Coloque la palanca de la potencia de arranque (PTO) (enganche de cuchilla) en la posición OFF (apagado).
3. Coloque el freno de mano del tractor.
4. Active el control del cebador moviendo el control del regulador/cebador completamente hacia adelante en la posición de cebador.
5. Gire la llave de encendido en el sentido de las agujas del reloj hasta la posición START (encendido). Una vez que arranque el motor, suelte la llave. Volverá a la posición de CORTE NORMAL.

### ⚠ PRECAUCIÓN

NO mantenga la llave en la posición START (encendido) durante más de diez segundos por vez. Si lo hace, puede ocasionar daños al arrancador eléctrico del motor.

6. Una vez que arranque el motor, desactive el control del cebador.

**NOTA:** NO deje el control del cebador activado mientras opera el tractor. Si lo hace, se generará una mezcla "rica" de combustibles, lo cual hará que el motor pierda intensidad.

## DETENCIÓN DEL MOTOR

### ⚠ ADVERTENCIA

Si golpea contra algún objeto extraño, detenga el motor y desconecte el(los) cable(s) de las bujías. Inspeccione minuciosamente la máquina para ver si está dañada. Repare el daño antes de volver a encender el motor y operar la máquina.

1. Si las cuchillas están enganchadas, coloque la palanca de la potencia de arranque (PTO) (enganche de cuchilla) en la posición OFF (apagado).
2. Coloque el control del regulador en la posición VELOCIDAD LENTA.
3. Gire la llave de encendido en sentido contrario a las agujas del reloj a la posición STOP (parar).
4. Retire la llave del interruptor de encendido para evitar que alguien encienda accidentalmente el motor.

## CONDUCCIÓN DEL TRACTOR

### ⚠ ADVERTENCIA

Evite arrancar súbitamente, desarrollar excesiva velocidad y detenerse de repente.

Presione levemente el pedal del freno para liberar el freno de mano. Mueva la palanca del regulador a la posición FAST (VELOCIDAD RÁPIDA, representada por una liebre).

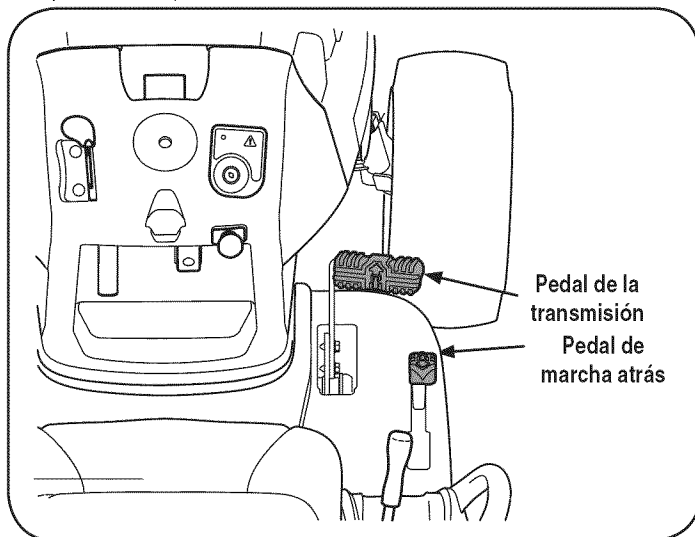


Figura 7

1. Para conducir hacia ADELANTE, presione suavemente el pedal de transmisión hacia adelante hasta alcanzar la velocidad deseada. Vea la Figura 7.
2. Para conducir MARCHA ATRÁS, verifique que el área de atrás esté despejada. Luego presione suavemente el pedal de marcha atrás con la parte anterior del pie (NO con el talón) hasta alcanzar la velocidad deseada. Vea la Figura 7.

### ⚠ PRECAUCIÓN

NO intente cambiar la dirección de desplazamiento mientras el tractor esté en movimiento. Siempre debe detener el tractor totalmente antes de cambiar de marcha adelante a marcha atrás o viceversa.

# FUNCIONAMIENTO

## ⚠️ ADVERTENCIA

No abandone el asiento del tractor sin colocar primero la perilla de PTO/enganche de cuchilla en la posición OFF (apagado) y sin colocar el freno de mano. Si deja el tractor sin vigilancia, apague el motor y retire la llave de encendido.

## MODO DE PRECAUCIÓN EN MARCHA ATRÁS

La posición MODO DE PRECAUCIÓN EN MARCHA ATRÁS del módulo de la llave de contacto permite operar el tractor en marcha atrás con las cuchillas (PTO) enganchadas.

**NOTA:** No se recomienda cortar el césped en marcha atrás.

## ⚠️ ADVERTENCIA

Tenga mucho cuidado cuando opere el tractor en MODO DE PRECAUCIÓN EN MARCHA ATRÁS. Mire siempre hacia abajo y hacia atrás antes y mientras opera marcha atrás. No opere el tractor cuando haya niños u otras personas en el lugar. Detenga el tractor inmediatamente si alguien ingresa en la zona.

Para utilizar el MODO DE PRECAUCIÓN EN MARCHA ATRÁS:

**NOTA:** El operador DEBE estar sentado en el asiento del tractor.

1. Arranque el motor según las instrucciones de la página anterior.
2. Gire la llave desde la posición de PODA NORMAL (verde) hasta la posición de MODO DE PRECAUCIÓN EN MARCHA ATRÁS (amarillo) del módulo del interruptor de llave. Vea la Figura 8.

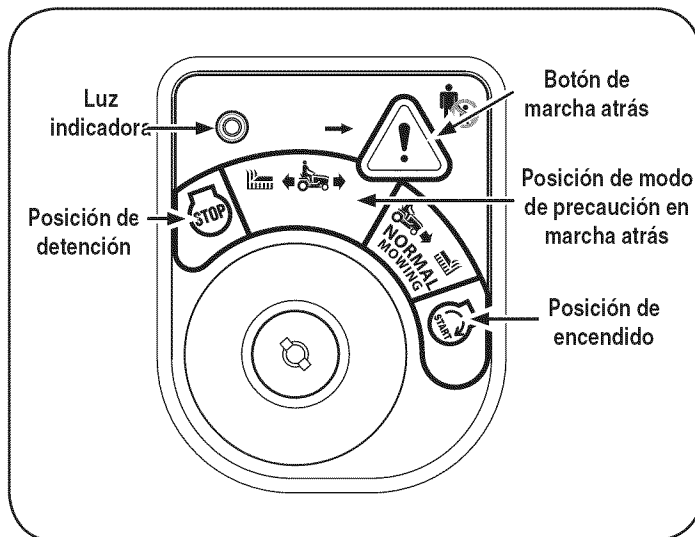


Figura 8

3. Presione el BOTÓN DE MARCHA ATRÁS (botón triangular de color naranja) en la esquina superior derecha del módulo del interruptor de llave. La luz indicadora roja en la esquina superior izquierda del módulo del interruptor de llave se mantiene encendida (ON) mientras esté activado. Vea la Figura 8.
4. Una vez activado (con la luz indicadora encendida), el tractor podrá operar en marcha atrás con las cuchillas de corte (PTO – potencia de arranque) enganchadas.
5. Siempre mire hacia abajo y hacia atrás antes y mientras opera en marcha atrás, para asegurarse de que no haya niños en el área. Una vez retomada la marcha hacia adelante, vuelva a colocar la llave en la posición CORTE NORMAL.

El MODO DE PRECAUCIÓN EN MARCHA ATRÁS permanece activado hasta que:

- a. Se coloca la llave en la posición CORTE NORMAL o en la posición STOP (parar) o
- b. El operador abandona el asiento.

## OPERACIÓN EN PENDIENTES

Consulte la sección GUÍA PARA PENDIENTES en la página 68 para determinar en qué pendientes puede operar el tractor de manera segura.

## ⚠️ ADVERTENCIA

No corte en pendientes con una inclinación de más de 15 grados (elevación aproximada de 2½ pies por cada 10 pies). El tractor podría voltearse y causar lesiones severas.

- En las pendientes corte hacia arriba y hacia abajo, NUNCA en forma transversal.
- Tenga mucho cuidado al cambiar de dirección en una pendiente.
- Esté atento a los hoyos, surcos, baches, rocas u otros objetos ocultos. El terreno desnivelado puede voltear la máquina. El césped alto puede ocultar obstáculos.
- Evite realizar giros cuando opere en una pendiente. Si debe realizar un giro, hágalo debajo de la pendiente. Subir una pendiente aumenta enormemente las posibilidades de que el vehículo dé una vuelta de campana.
- Evite detenerse cuando suba una pendiente. Si fuese necesario detenerse mientras sube una pendiente, arranque suave y cuidadosamente para reducir la posibilidad de que el tractor dé una voltereta hacia atrás.

## COLOCACIÓN DEL FRENO DE MANO/ ACTIVACIÓN DEL CONTROL DE CRUCERO

**NOTA:** El freno de mano y el control de cruce se controlan con la misma palanca. Si está usando el freno cuando engancha la palanca del freno de mano/control de cruce, se activará el freno de mano. Si está usando el pedal de transmisión cuando engancha la palanca del freno de mano/control de cruce, se activará el control de cruce.

### Freno de mano

**NOTA:** Si el operador abandona el asiento y deja el motor funcionando, deberá colocar el freno de mano, o el motor se apagará de forma automática.

Para colocar el freno de mano:

1. Presione el pedal del freno completamente hacia abajo con el pie izquierdo y manténgalo en posición.
2. Empuje la palanca del freno de mano/control de cruce hacia abajo y manténgala en esa posición.
3. Retire su pie del pedal de freno.
4. Afloje la presión de la palanca del freno de mano/control de cruce.

Después de completar el paso 3, el pedal de freno debe permanecer en posición abajo. Si no lo hace, el freno de mano no está activado. Repita los pasos 1 a 4 para enganchar el freno de mano.

Para desenganchar el freno de mano, presione levemente el pedal de freno.

## ⚠️ ADVERTENCIA

Nunca deje la máquina en funcionamiento sin vigilancia. Siempre desconecte la PTO (perilla de enganche de cuchilla, coloque el freno de mano, apague el motor y retire la llave, para evitar que alguien encienda accidentalmente el motor.

# FUNCIONAMIENTO

## Control de crucero

### ⚠ ADVERTENCIA

Nunca enganche la palanca de control de crucero mientras se desplaza en marcha atrás.

Para colocar el control de crucero:

1. Presione lentamente la porción superior del pedal de transmisión con el pie derecho hasta que se alcance la velocidad deseada.
2. Presione suavemente la palanca del freno de mano/control de crucero hacia abajo y manténgala en esa posición.
3. Retire su pie del pedal de transmisión.
4. Afloje la presión de la palanca del freno de mano/control de crucero.

Después de completar el paso 3, el pedal de transmisión debe permanecer en posición abajo y el tractor debe mantener la misma velocidad hacia adelante. Si no lo hace, el control de crucero no está activado. Repita los pasos 1 a 4 para activar el control de crucero.

Para desenganchar el control de crucero, presione levemente el pedal de transmisión o el pedal de freno.

**NOTA:** El control de crucero no podrá activarse a la velocidad absoluta más rápida del tractor. Si el operador intenta activarlo en esas condiciones, el tractor se desacelerará automáticamente a la velocidad de corte absoluta óptima y más rápida.

Para cambiar la dirección de marcha adelante a marcha atrás cuando está activado el control de crucero, presione el pedal del freno para desactivar el control de crucero y hacer que el tractor se detenga por completo. Luego presione suavemente el pedal de marcha atrás con la parte anterior del pie para desplazarse marcha atrás.

## UTILIZACIÓN DE LA PALANCA DE ELEVACIÓN DE LA PLATAFORMA

Para elevar la plataforma de corte, mueva la palanca de elevación de la plataforma hacia la izquierda y colóquela en la muesca que mejor se adapte a la aplicación deseada.

## FUNCIONAMIENTO DE LOS FAROS DELANTEROS

Los faros se encienden (ON) cada vez que se rota la llave de encendido sacándola de la posición STOP (parar). Los faros se apagan (OFF) cuando se coloca la llave de encendido en la posición STOP.

## CONEXIÓN DE POTENCIA DE ARRANQUE (PTO)

Al conectar la PTO se suministra energía a la plataforma de corte y a otros accesorios (disponibles por separado). Para conectar la PTO:

1. Mueva la palanca de control del regulador/cebador a la posición FAST (VELOCIDAD RÁPIDA, representada por una liebre).

2. Empuje hacia adelante la perilla de PTO (enganche de cuchilla) hasta la posición ON (encendido). Vea la Figura 9.

**NOTA:** Haga funcionar el tractor siempre con la palanca del regulador/cebador en la posición FAST (rápido; representada por una liebre), para un uso más eficiente de la plataforma de corte o de otros accesorios (disponibles por separado).

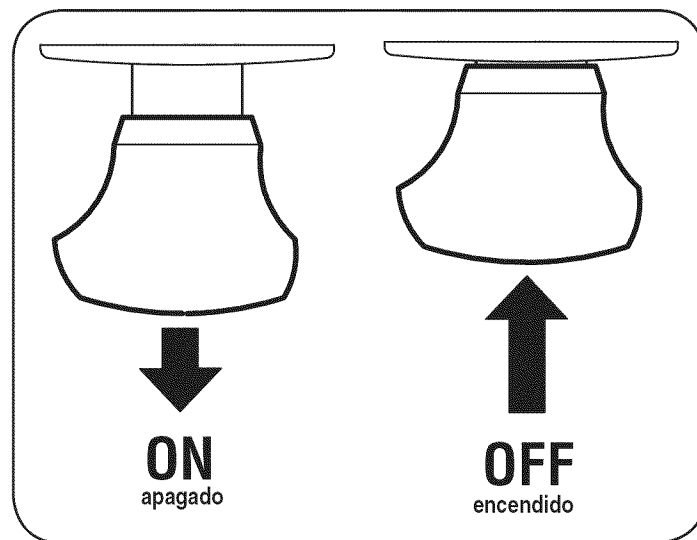


Figura 9

## CORTE DE CÉSPED

### ⚠ ADVERTENCIA

Para tratar de evitar el contacto con las cuchillas o una lesión por algún objeto que sea arrojado, mantenga a los observadores, a los ayudantes, niños y mascotas alejados al menos 25 metros de la máquina mientras está en funcionamiento. Detenga la máquina si alguien se acerca.

La siguiente información será de utilidad cuando use la plataforma de corte con su tractor.

### ⚠ ADVERTENCIA

Planifique el patrón de corte, para evitar que la descarga de materiales se realice hacia los caminos, las veredas, los observadores, etc. Evite además descargar material contra una pared u obstrucción que podría hacer que el material descargado rebote contra el operador.

- No corte a alta velocidad absoluta, especialmente si tiene instalado un kit de abono o un colector de césped.
- No corte el césped demasiado corto. El césped corto fomenta el crecimiento de maleza y se pone amarillo rápidamente cuando escasea la lluvia.
- Siempre haga funcionar el tractor con la palanca del regulador en la posición RÁPIDA (liebre) mientras corta el césped
- Para obtener los mejores resultados, se recomienda realizar los dos primeros cortes de césped arrojando la descarga hacia el centro. Después de las dos primeras vueltas, cambie la dirección para arrojar la descarga hacia afuera, para equilibrar el corte. Esto otorgará un mejor aspecto al césped.
- NO intente cortar malezas frondosas o césped extremadamente alto. El tractor fue diseñado para cortar el césped, NO para podar malezas.
- Mantenga las cuchillas afiladas y cámbielas cuando se gasten.

# SERVICIO Y MANTENIMIENTO

## ADVERTENCIA

Antes de realizar cualquier tipo de mantenimiento o servicio, desenganche todos los controles y detenga el motor. Espere a que se detengan completamente todas las piezas móviles. Desconecte el cable de la bujía y póngalo haciendo masa contra el motor para evitar que se encienda accidentalmente. Utilice siempre anteojos de seguridad durante el funcionamiento o mientras ajusta o repara este equipo.

Siga el cronograma de mantenimiento que se presenta a continuación. Esta tabla sólo describe pautas de servicio. Utilice la columna Registro de Servicio para hacer el seguimiento de las tareas de mantenimiento completadas.

**Para ubicar el Centro de Servicio Sears más cercano o para programar un servicio, simplemente comuníquese con Sears al teléfono 1-800-4-MY-HOME®.**

Intervalo	Artículo	Servicio	Registro de servicio
Antes de cada uso	<ol style="list-style-type: none"> <li>Nivel de aceite del motor</li> <li>Área del silenciador y controles</li> </ol>	<ol style="list-style-type: none"> <li>Verificar</li> <li>Limpiar</li> </ol>	
Durante las primeras cinco horas	<ol style="list-style-type: none"> <li>Aceite del motor</li> </ol>	<ol style="list-style-type: none"> <li>Cambiar</li> </ol>	
Cada 10 horas	<ol style="list-style-type: none"> <li>Respiraderos del capó/tablero de instrumentos</li> <li>Bornes</li> <li>Husillos y ménsula intermedia de la plataforma</li> </ol>	<ol style="list-style-type: none"> <li>Limpiar</li> <li>Limpiar</li> <li>Lubricar</li> </ol>	
Cada 25 horas	<ol style="list-style-type: none"> <li>Prefiltro del filtro de aire*</li> <li>Filtro de aire*</li> <li>Brazos de mando intermedios, ejes del pivote y ejes</li> <li>Rodamientos de las ruedas delanteras</li> <li>Ruedas delanteras de la plataforma</li> </ol>	<ol style="list-style-type: none"> <li>Limpiar</li> <li>Limpiar</li> <li>Lubricar</li> <li>Lubricar</li> <li>Lubricar</li> </ol>	
Cada 50 horas	<ol style="list-style-type: none"> <li>Aceite del motor</li> <li>Silenciador</li> </ol>	<ol style="list-style-type: none"> <li>Cambiar</li> <li>Verificar</li> </ol>	
Anualmente	<ol style="list-style-type: none"> <li>Filtro de aire</li> <li>Prefiltro del filtro de aire</li> <li>Bujía de encendido</li> <li>Sistema de enfriamiento*</li> <li>Filtro de combustible</li> <li>Engranajes de la dirección</li> <li>Ruedas traseras</li> </ol>	<ol style="list-style-type: none"> <li>Reemplazar</li> <li>Reemplazar</li> <li>Reemplazar</li> <li>Limpiar</li> <li>Reemplazar</li> <li>Limpiar</li> <li>Sacar los ejes y engrasarlos</li> </ol>	
Antes de almacenar	<ol style="list-style-type: none"> <li>Respiraderos del capó/tablero de instrumentos</li> <li>Bornes</li> <li>Brazos de mando intermedios, ejes del pivote y ejes</li> <li>Rodamientos de las ruedas delanteras</li> <li>Ruedas delanteras de la plataforma</li> <li>Husillos y ménsula intermedia de la plataforma</li> <li>Puntos de pivote del pedal</li> </ol>	<ol style="list-style-type: none"> <li>Limpiar</li> <li>Limpiar</li> <li>Lubricar</li> <li>Lubricar</li> <li>Lubricar</li> <li>Lubricar</li> <li>Lubricar</li> </ol>	

\*Hacer el servicio con mayor frecuencia cuando hay mucho polvo.

## ADVERTENCIA

Antes de realizar tareas de mantenimiento o reparaciones, desconecte la PTO (perilla de enganche de cuchillas), coloque el freno de mano, apague el motor y retire la llave para evitar el encendido accidental del motor.

## ADVERTENCIA

Si el motor se ha puesto en funcionamiento recientemente, el motor, silenciador y las superficies metálicas circundantes estarán calientes y pueden causar quemaduras en la piel. Tenga precaución para evitar quemaduras.

# SERVICIO Y MANTENIMIENTO

## EXTRACCIÓN DE LA PLATAFORMA DE CORTE

1. Coloque la perilla de la potencia de arranque (PTO) (enganche de cuchilla) en la posición OFF (apagado) y active el freno de mano.
2. Baje la plataforma colocando la palanca de elevación de la plataforma dentro de la muesca inferior en el guardabarros derecho.
3. Ubique el embrague de PTO debajo de la parte delantera del tractor. Vea la Figura 10.

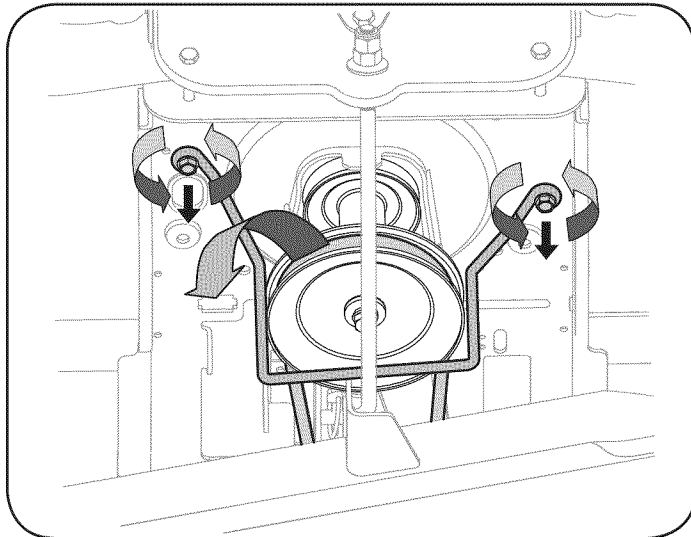


Figura 10

4. Saque el protector de la correa y la correa de la polea de la PTO de la siguiente manera. Consulte la Figura 10:
  - a. Retire los tornillos hexagonales.
  - b. Corra la varilla del guardacorrea a la derecha y hacia abajo para sacarla.
  - c. Saque la correa de la plataforma de alrededor del embrague de la potencia de arranque eléctrica del tractor.

**NOTA:** De haber mucha tensión sobre la correa como para poder sacarla fácilmente del embrague eléctrico de la PTO, inserte cuidadosamente una llave de apriete de trinquete de 3/8 de pulgada (en posición de aflojar) en el orificio cuadrado que se encuentra en la ménsula intermedia de la plataforma y gírela hacia la izquierda del tractor para liberar la tensión de la correa. Vea la Figura 11.

## ⚠ ADVERTENCIA

Evite las lesiones por compresión. Al extraer la correa, no coloque nunca los dedos en el resorte intermedio o entre la correa y una polea.

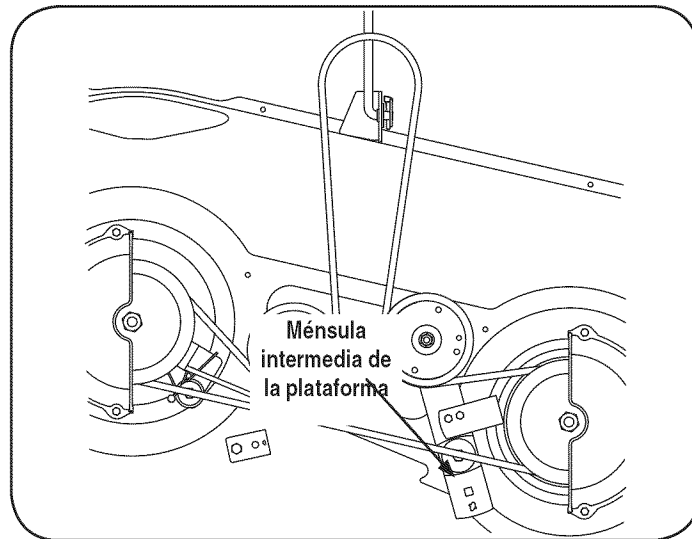


Figura 11

5. Mirando la plataforma de corte desde el lado izquierdo del tractor, localice el pasador de soporte de la plataforma ubicado en el lateral posterior izquierdo de la plataforma.
6. Tire hacia afuera el pasador de soporte de la plataforma para separar la misma del brazo de elevación de la plataforma. Vea la Figura 12.

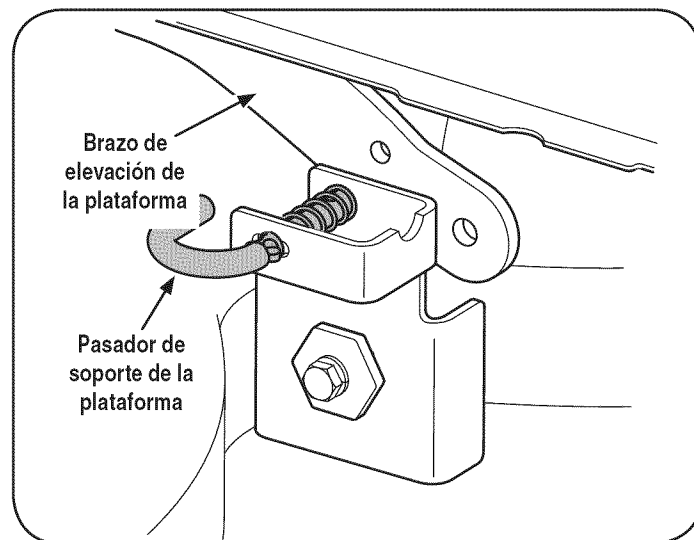


Figura 12



# SERVICIO Y MANTENIMIENTO

- Repita los pasos anteriores del lado derecho del tractor.
- Mueva la palanca de elevación de la plataforma a la muesca superior para levantar los brazos de elevación de la plataforma y retirarlos del paso.
- Saque el pasador de chaveta del extremo de la varilla estabilizadora y deslice el estabilizador fuera de la ménsula de suspensión de la plataforma. Vea la Figura 13.

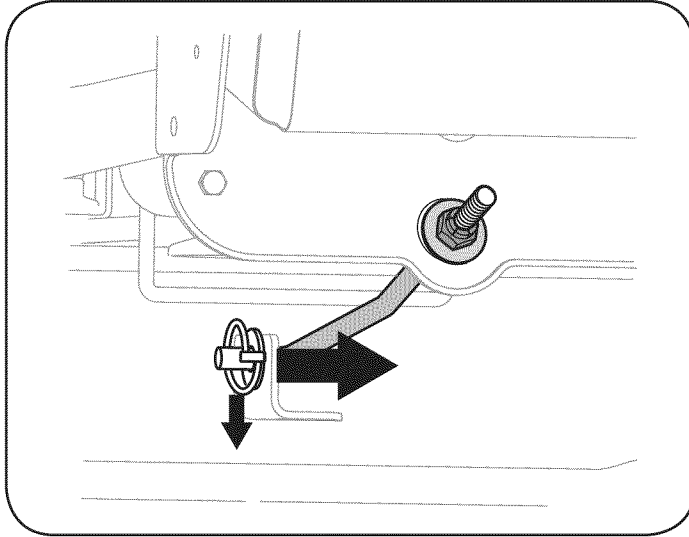


Figura 13

- Deslice suavemente la plataforma de corte (desde el lado derecho) hacia afuera desde la parte inferior del tractor.

## CAMBIO DE LA CORREA DE LA PLATAFORMA

### ⚠ ADVERTENCIA

Las correas en V del tractor están diseñadas especialmente para que se engranen y desengranen sin riesgos. El uso de una correa en V sustituta (que no sea del fabricante del equipo original) puede resultar peligroso si la misma no se desengancha totalmente. Para que la máquina funcione correctamente, use las correas aprobadas por el fabricante que se detallan en el listado de piezas incluido con este producto.

Todas las correas del tractor están sujetas a desgaste, y se las debe cambiar si presentan signos de desgaste. Para cambiar o reemplazar la correa de la plataforma de su tractor, proceda de la siguiente manera:

- Extraiga la plataforma como se indica en la página 80.
- Extraiga las cubiertas de la correa de los husillos exteriores sacando los tornillos con arandela hexagonales que las sujetan a la plataforma. Vea la Figura 14.

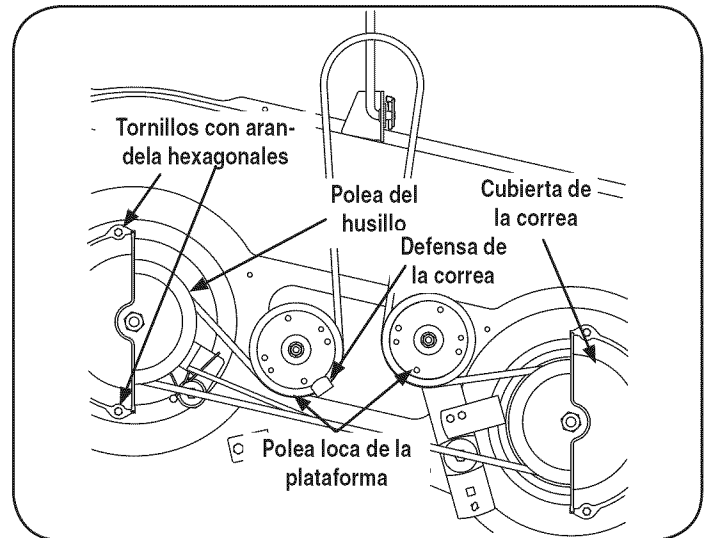


Figura 14

- También podría ser necesario aflojar la tuerca hexagonal de la polea loca izquierda para extraer la correa de la polea y de alrededor del protector de la correa.
- Retire con cuidado la correa de la plataforma de alrededor de las dos poleas de husillo y de las dos poleas locas de la plataforma. Vea la Figura 14.

# SERVICIO Y MANTENIMIENTO

5. Para colocar la correa nueva, comience pasándola alrededor de las dos poleas de husillo externas como se ve en la Figura 15.

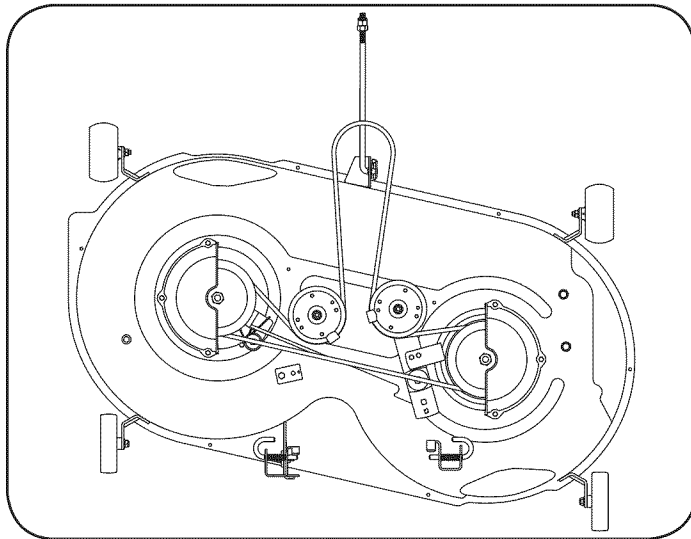


Figura 15

6. Pase luego la correa alrededor de las dos poleas locas de la plataforma, como se ve en la Figura 15.
7. Vuelva a ajustar la varilla del guardacorrea que aflojó antes.
8. Vuelva a instalar los protectores de la correa que sacó anteriormente.
9. Reinstale la plataforma de este modo:
  - a. Con la plataforma debajo del bastidor de la cortadora, sujete la varilla estabilizadora. Vea la Figura 13.
  - b. Vuelva a conectar los brazos de elevación de la plataforma. Vea la Figura 12.
10. Tire del lado derecho de la correa y coloque el lado en V angosto de la misma en la polea de la potencia de arranque (PTO). Vea la Figura 16.

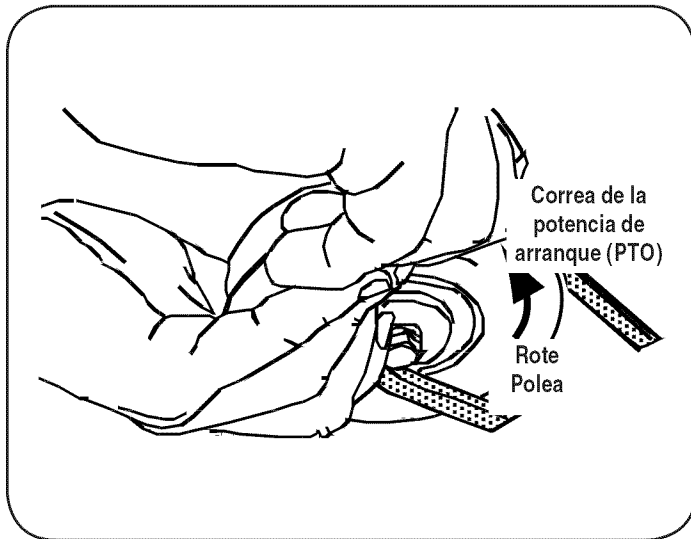


Figura 16

11. Mientras sostiene la correa y la polea juntas, rote la polea hacia la izquierda (Vea la Figura 16). Siga sosteniendo y rotando la polea y la correa hasta que la correa se enrolle totalmente en la polea de la potencia de arranque (PTO).
12. Vuelva a colocar el protector de la correa de la polea de la PTO. Vea la Figura 10.

## CUCHILLAS DE CORTE

### ⚠ ADVERTENCIA

Apague el motor y extraiga la llave de contacto antes de retirar las cuchillas de corte para afilarlas o reemplazarlas. Proteja sus manos utilizando guantes reforzados cuando sujete las cuchillas.

### ⚠ ADVERTENCIA

Inspeccione periódicamente la cuchilla y/o el husillo en busca de rajaduras o daños, especialmente después de golpear un objeto extraño. No opere la máquina hasta después de haber reemplazado los componentes dañados.

Para retirar las cuchillas, haga lo siguiente:

1. Extraiga la plataforma de la parte inferior del tractor, (consulte la sección Extracción de la plataforma en partes anteriores de esta sección); luego voltee con delicadeza la plataforma para dejar al descubierto su parte inferior.
2. Coloque un bloque de madera entre el deflector del alojamiento central de la plataforma y la cuchilla de corte, para que actúe como estabilizador. Vea la Figura 17.

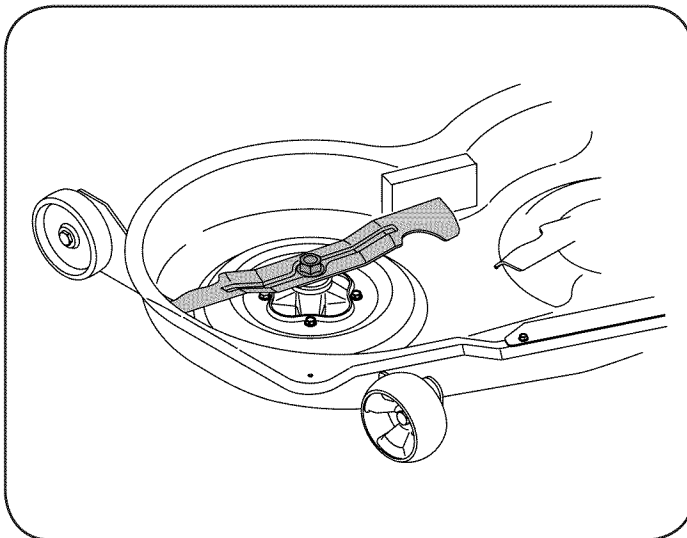


Figura 17

3. Extraiga la tuerca de brida hexagonal que asegura la cuchilla al montaje del husillo. Vea la Figura 17.

## SERVICIO Y MANTENIMIENTO

4. Para afilar las cuchillas de corte correctamente, extraiga cantidades iguales de metal de ambos extremos de las cuchillas a lo largo de los bordes cortantes, paralelo al borde de caída, a un ángulo de 25° a 30°. Afile siempre cada borde de las cuchillas de corte de forma pareja para mantener un equilibrio adecuado entre las mismas. Vea la Figura 18.

### ⚠ PRECAUCIÓN

Si el borde de corte de la cuchilla ha sido afilado previamente o si existe una separación de metal, reemplace las cuchillas por otras nuevas.

### ⚠ ADVERTENCIA

Una cuchilla mal equilibrada causará exceso de vibración y puede dañar el tractor y/o causar lesiones personales.

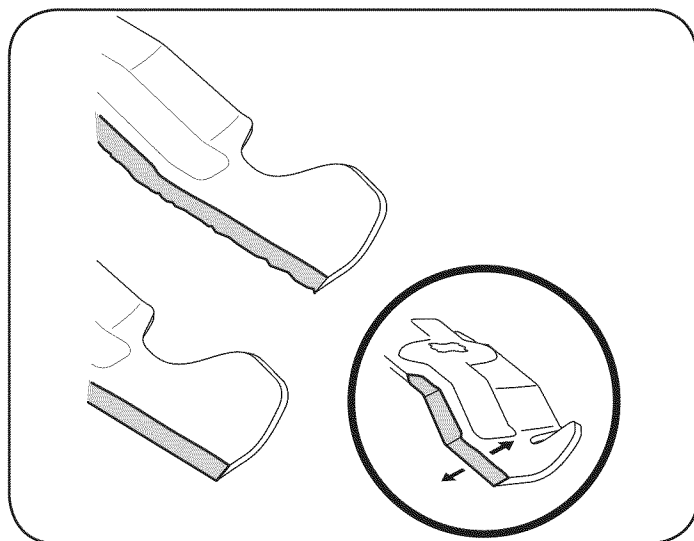


Figura 18

5. Pruebe el equilibrio de la cuchilla usando un compensador de cuchillas. Afile el metal del lado pesado hasta que quede bien equilibrada.

**NOTA:** Cuando reemplace la cuchilla, asegúrese de instalarla con el lado marcado "Bottom" (inferior) (o con el lado que posee un número de pieza estampado) mirando al piso cuando la cortadora de césped está en posición de operación.

### ⚠ PRECAUCIÓN

Utilice una llave de torsión para ajustar la tuerca de brida hexagonal del husillo de la cuchilla entre 70 pies-libras y 90 pies-libras.

## BATERÍA

### ⚠ ADVERTENCIA

Los bornes de la batería y los accesorios afines contienen plomo y compuestos de plomo, sustancias químicas que según lo establecido por el Estado de California causan cáncer y daños en el sistema reproductivo. Lávese las manos después de estar en contacto con estos componentes.

### ⚠ PRECAUCIÓN

Si extrae la batería, desconecte primero el cable NEGATIVO (negro) de su borne y a continuación el cable POSITIVO (rojo). Cuando vuelva a instalar la batería, conecte siempre primero el cable POSITIVO (rojo) a su borne, y a continuación el cable NEGATIVO (negro).

## Arranque con pinzas para batería

### ⚠ ADVERTENCIA

Nunca arranque con pinzas una batería dañada o congelada. Asegúrese de que los vehículos no se toquen y los motores están apagados. No permita que las pinzas de los cables se toquen.

1. Conecte el cable positivo (+) al borne positivo (+) de la batería descargada de su tractor.
2. Conecte el otro extremo del cable al borne positivo (+) de la batería con carga.
3. Conecte el cable negativo (-) al borne negativo (-) de la batería con carga.
4. Realice la conexión final en el bloque del motor del tractor, lejos de la batería. Acople a una parte sin pintura para asegurarse de que haya una buena conexión.

### ⚠ PRECAUCIÓN

Si la batería con carga está instalada en el vehículo (es decir automóvil, camión) NO ponga en marcha el motor del vehículo cuando arranque su tractor con pinzas.

5. Arranque el tractor (según las instrucciones de la sección Funcionamiento de este manual).
6. Coloque el freno de mano del tractor antes de sacar los cables de arranque. Retire los cables de arranque en orden inverso a la conexión.

## Carga de la batería

### ⚠ ADVERTENCIA

Al cargarse, las baterías emiten un gas que puede causar explosiones. Cargue la batería en un área bien ventilada y manténgala alejada de una llama expuesta o piloto, como los de los calentadores de agua, calefactores de ambiente, hornos, secadores de ropa y otros aparatos a gas.

### ⚠ PRECAUCIÓN

Cuando cargue la batería de su tractor, utilice únicamente un cargador diseñado para baterías de plomo-ácido de 12V. Lea el Manual del Operador del cargador de la batería antes de cargar la batería de su tractor. Siempre siga las instrucciones y tenga en cuenta las advertencias.

If your tractor has not been put into use for an extended period of time, charge the battery as follows:

1. Ajuste el cargador de batería para que produzca un máximo de 10 amperios.
2. Si su cargador de batería es automático, cargue la batería hasta que el cargador indique que se ha completado la carga. Si el cargador no es automático, cargue por ocho horas como mínimo.

# SERVICIO Y MANTENIMIENTO

## FUSIBLE

### ⚠ ADVERTENCIA

Antes de realizar tareas de mantenimiento, reparaciones o inspecciones, desconecte siempre la PTO (perilla de enganche de cuchillas), coloque el freno de mano, apague el motor y retire la llave, para evitar que alguien encienda accidentalmente el motor.

En el mazo de cables de su tractor hay un fusible instalado para proteger el sistema eléctrico del tractor de daños causados por exceso de amperaje.

Si el sistema eléctrico no funciona, o el motor de su tractor no arranca, verifique primero que el fusible no se haya quemado. Uno de los fusibles se encuentra debajo del capó, montado detrás de la parte superior del panel de instrumentos, en la barra de soporte.

### ⚠ PRECAUCIÓN

Reemplace siempre por un fusible con el mismo amperaje que el fusible quemado.

## NEUMÁTICOS

### ⚠ ADVERTENCIA

Nunca exceda la presión máxima de inflado que se indica en los laterales de los neumáticos.

Consulte los laterales de las ruedas para conocer con exactitud la presión máxima en psi recomendada por el fabricante. No los infle en exceso.

Una presión de neumáticos despareja podría hacer que la plataforma corte el césped en forma desigual.

## CAMBIO DE LA CORREA DE TRANSMISIÓN

Para cambiar la correa de transmisión del tractor, se deben retirar varios componentes y se requieren herramientas especiales. Solicite a un distribuidor Sears u otro distribuidor de servicio calificado para que le cambie la correa de transmisión.

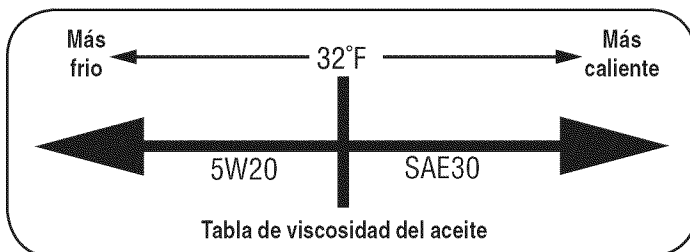
## MANTENIMIENTO DEL MOTOR

### ⚠ ADVERTENCIA

Antes de realizar tareas de mantenimiento o reparaciones, desconecte la PTO (perilla de enganche de cuchillas, coloque el freno de mano, apague el motor y retire la llave, para evitar que alguien encienda accidentalmente el motor.

### Control del aceite del motor

Use solamente un aceite detergente de alta calidad cuya clasificación de servicio API sea SF, SG, SH o SJ. Seleccione el grado de viscosidad SAE del aceite según la temperatura de operación esperada. Cumpla la tabla que aparece a continuación.



Aunque los aceites de viscosidad múltiple (5W20, 10W30, etc.) mejoran el encendido cuando el clima está frío, los mismos incrementan el consumo de aceite cuando se usan a más de 32°F. Compruebe el nivel de aceite con mayor frecuencia para evitar que el motor se dañe funcionando con poco aceite.

Para controlar el aceite, proceda de la siguiente manera:

1. Verifique que el tractor se encuentre sobre una superficie nivelada.
2. Limpie los residuos del área de llenado de aceite.
3. Saque la varilla del nivel del aceite y límpiela con una tela limpia
4. Coloque la varilla y ajústela.
5. Retire la varilla y controle el nivel de aceite. Debería llegar a la marca de la varilla que indica que está lleno. Vea la Figura 19.

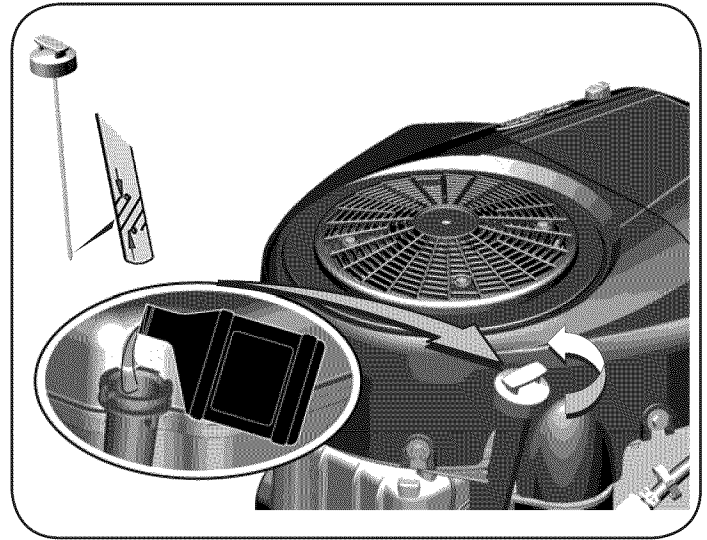


Figura 19

6. Si hay poco, agregue aceite lentamente en el recipiente de llenado de aceite del motor. No lo llene en exceso. Luego de agregar aceite, espere un minuto antes de volver a controlar el nivel de aceite.

### ⚠ PRECAUCIÓN

No lo llene en exceso. El exceso de aceite puede hacer que el motor no arranque, le cueste arrancar o largue humo. Si se supera la marca FULL (lleno) de la varilla de medición, drene aceite para reducir el nivel hasta que quede en la marca FULL.

7. Vuelva a colocar la varilla y ajústela.

# SERVICIO Y MANTENIMIENTO

## Cambio de aceite del motor

### ⚠️ ADVERTENCIA

Si el motor se ha puesto en funcionamiento recientemente, el motor, silenciador y las superficies metálicas circundantes estarán calientes y pueden causar quemaduras en la piel. Tenga precaución para evitar quemaduras.

**NOTA:** El filtro del aceite debe reemplazarse en cada intervalo de cambio de aceite. Para completar el cambio de aceite, proceda de la siguiente manera:

1. Con el motor apagado pero todavía caliente, desconecte el cable de la bujía y manténgalo alejado de la bujía.
2. Retire el tapón de llenado de aceite/la varilla de nivel de aceite del tubo de llenado. Vea la Figura 20.

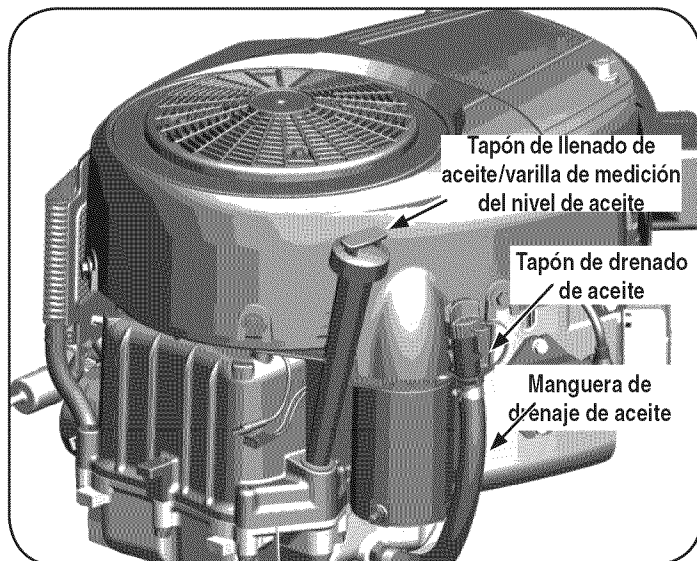


Figura 20

3. Desconecte la manguera de drenaje de aceite del lado del motor.
4. Gire y retire el tapón de drenaje de aceite. Con cuidado baje el drenado de aceite rápido en un recipiente aprobado.
5. Luego de drenar el aceite, coloque el tapón de drenaje de aceite. Conecte la manguera de drenaje de aceite al lado del motor.

### ⚠️ PRECAUCIÓN

El aceite usado es un residuo peligroso. Elimine el aceite usado adecuadamente. No lo arroje junto con los residuos domiciliarios. Consulte a las autoridades locales o al centro de servicio Sears para averiguar dónde hay instalaciones para la eliminación/ reciclaje segura(o) del aceite usado.

6. Vuelva a conectar el cable de la bujía.

## Depurador de aire

### ⚠️ ADVERTENCIA

Si no se instalan correctamente los filtros o las cubiertas, las explosiones del carburador pueden causar lesiones graves o la muerte. No intente arrancar el motor cuando no están puestos.

### ⚠️ PRECAUCIÓN

No use aire presurizado ni solvente para limpiar el cartucho del depurador de aire.

1. Retire la cubierta del filtro de aire.
2. Para extraer el filtro de aire, levante el extremo del filtro. Vea la Figura 21.

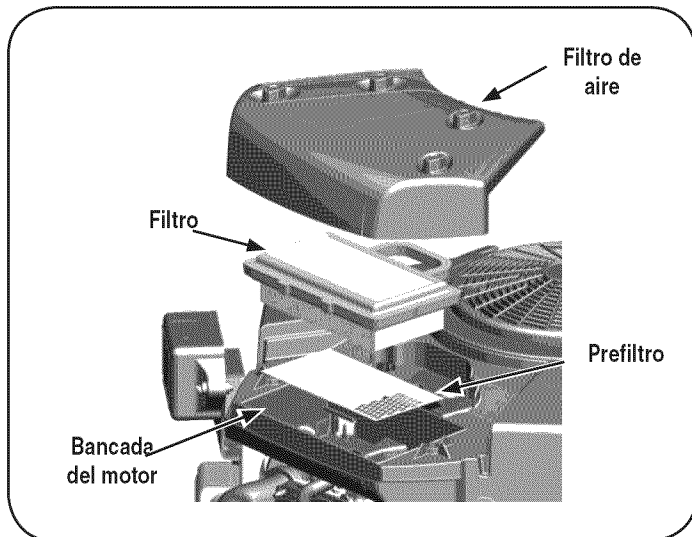


Figura 21

3. Extraiga el prefiltro del filtro.
4. Para aflojar los residuos, golpee suavemente el filtro contra una superficie dura. Si el filtro está muy sucio, reemplácelo por uno nuevo.
5. Lave el prefiltro en detergente líquido y agua. Permita que se seque bien al aire. No lubrique el prefiltro.
6. Monte el prefiltro seco en el filtro.
7. Instale el filtro en la bancada del motor y empuje hacia abajo hasta que el filtro calce en su lugar.
8. Instale la cubierta.

## Bujía de encendido

1. Limpie el área alrededor de la base de la bujía. No lije la bujía. Se deben limpiar las bujías rasqueteando o limpiando con cepillo de alambre y lavando con un solvente comercial.
2. Saque e inspeccione la bujía. Verifique la separación para asegurarse de que está fijada en 0.030". Vea la Figura 22.

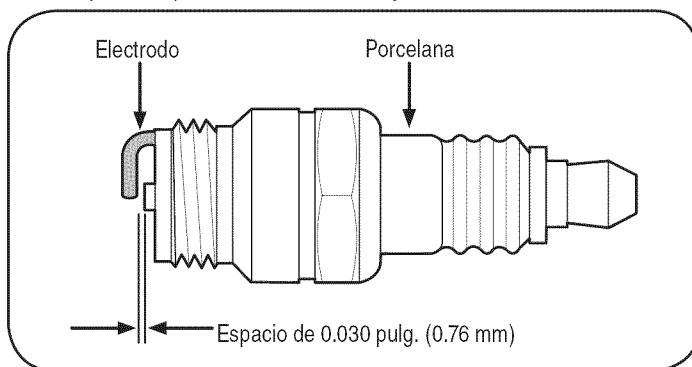


Figura 22

3. Reemplace la bujía (Champion® RC12YC) todas las temporadas.

# SERVICIO Y MANTENIMIENTO

## Filtro de combustible

### ⚠ ADVERTENCIA

La gasolina y el vapor de gasolina son sumamente inflamables y explosivos. El fuego y las explosiones pueden causar quemaduras graves y también la muerte.

- Mantenga la gasolina alejada de chispas, llamas expuestas, llamas piloto, calor, y otras fuentes de ignición.
- Verifique frecuentemente las líneas de combustible, el tanque, el tapón, y los accesorios buscando rajaduras o pérdidas. Reemplace de ser necesario.
- Antes de cambiar el filtro de combustible, drene el tanque o cierre la válvula de paso de combustible.
- Los repuestos deben ser los mismos y se deben instalar en la misma posición que las piezas originales.
- Si se derrama combustible, espere hasta que se evapore antes de encender el motor.

### Para drenar el combustible:

1. Ubique el filtro de combustible, que pasa del lado izquierdo del motor, entre el tanque de combustible y el carburador, y puede estar sujeto al motor con una tira de unión.
2. Corte la tira, si la hay, luego sujete la abrazadera en línea del filtro de combustible con un par de tenazas.
3. Deslice la abrazadera hacia arriba de la línea de combustible.
4. Retire la línea de combustible en línea y drene el combustible en un recipiente aprobado.

### Para reemplazar el filtro de combustible:

1. Antes de cambiar el filtro de combustible, drene el tanque o cierre la válvula de paso de combustible. De lo contrario, el combustible puede gotear y causar un incendio o explosión.
2. Use tenazas para apretar las lengüetas de las abrazaderas, luego deslice las abrazaderas alejándolas del filtro de combustible. Tuerza y separe las líneas de combustible del filtro. Vea la Figura 23.

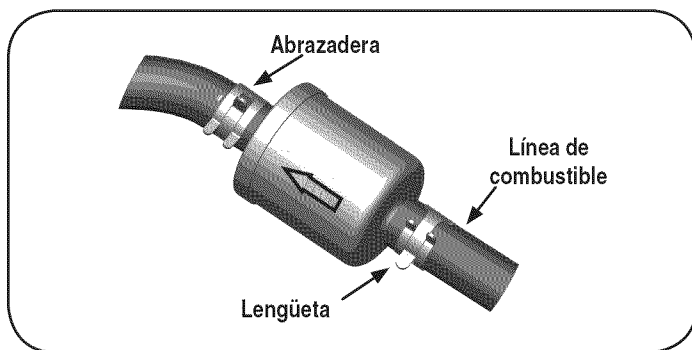


Figura 23

3. Verifique que las líneas de combustible no tienen rajaduras o pérdidas. Reemplace de ser necesario.
4. Reemplace el filtro de combustible por un filtro de recambio de equipo original.
5. Sujete las líneas de combustible con abrazaderas.

## Silenciador

### ⚠ ADVERTENCIA

La temperatura del silenciador y de las áreas cercanas del motor puede superar los 150°F (65°C). Evite el contacto con estas áreas.

Inspeccione periódicamente el silenciador y reemplácelo de ser necesario. Los repuestos del silenciador deben ser los mismos y se deben instalar en la misma posición que las piezas originales. Vea el Listado de piezas incluido con este tractor..

## Limpie el motor

### ⚠ PRECAUCIÓN

No use agua para limpiar las piezas del motor. El agua puede contaminar el sistema de combustible. Use un cepillo o un trapo seco.

- Diariamente o antes de cada uso, limpie el césped, la grasa o los residuos acumulados sobre el motor. Mantenga limpios el varillaje, los resortes y los controles.
- Mantenga el área que rodea al silenciador y detrás del mismo libre de cualquier residuo combustible.
- Mantenga el motor limpio para permitir el movimiento de aire alrededor del mismo.
- Las piezas del motor se deben mantener limpias para reducir el riesgo de sobrecalentamiento y combustión de los residuos acumulados.

## Ajuste del carburador

El carburador de este motor no es regulable.

## Transmisión hidrostática

La transmisión hidrostática viene sellada de fábrica y no tiene mantenimiento alguno. No se puede controlar el nivel de fluido ni se puede cambiar el líquido.

## Batería

### ⚠ ADVERTENCIA

Los bornes de la batería y los accesorios afines contienen plomo y compuestos de plomo, sustancias químicas que según lo establecido por el Estado de California causan cáncer y daños en el sistema reproductivo. Lávese las manos después de estar en contacto con estos componentes.

La batería está sellada y no necesita mantenimiento. Los niveles de ácido no se pueden controlar y no se puede agregar líquido..

- Siempre mantenga limpios y libres de acumulación de elementos corrosivos los cables y los bornes de la batería.
- Después de limpiar la batería y los bornes, aplique una capa delgada de vaselina o grasa a ambos bornes.

### ⚠ PRECAUCIÓN

Si saca la batería para limpiarla, desconecte primero el cable NEGATIVO (negro) de su borne y a continuación el cable POSITIVO (rojo). Cuando vuelva a instalar la batería, conecte siempre primero el cable POSITIVO (rojo) a su borne, y a continuación el cable NEGATIVO (negro). Asegúrese de que los cables se hayan conectado a los bornes correspondientes, ya que si los invierte puede causar daños graves al alternador del motor.

# SERVICIO Y MANTENIMIENTO

## LIMPIEZA DEL TRACTOR

Si se derrama combustible o aceite sobre la máquina, debe limpiarse de inmediato. NO permita que se acumulen desechos alrededor de las aletas de refrigeración del motor, el ventilador de refrigeración de la transmisión ni en ninguna otra parte de la máquina, especialmente las correas y poleas.

## Sistema de lavado de plataforma

La plataforma de su tractor está equipada con un puerto de agua sobre su superficie como parte del sistema de lavado de la plataforma.

Utilice el sistema de lavado de plataforma para lavar la parte inferior de la plataforma e impedir la acumulación de sustancias corrosivas. Realice los siguientes pasos DESPUÉS DE CADA CORTE DE CÉSPED:

1. Dirija el tractor a una zona nivelada y despejada del césped, que se encuentre suficientemente cerca de una canilla de agua al alcance de la manguera del jardín.

### ⚠ PRECAUCIÓN

Asegúrese de que el canal de descarga del tractor NO ESTÉ ORIENTADO EN LA DIRECCIÓN en que se encuentran la casa, el garaje, los vehículos estacionados, etc.

2. Desconecte la potencia de arranque (enganche de cuchilla), coloque el freno de mano y detenga el motor.
3. Enrosque el acople de manguera (embalado con el Manual del Operador de su tractor) en el extremo de la manguera de jardín.
4. Una el acople de la manguera al puerto de agua que se encuentra en la superficie de la plataforma. Vea la Figura 24.

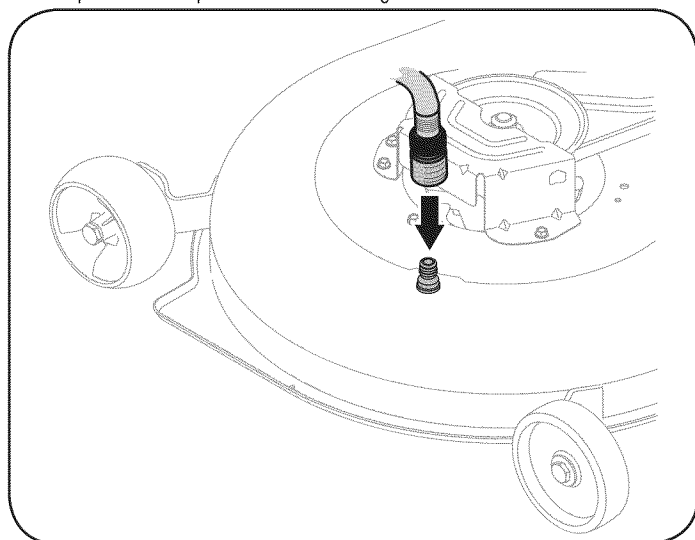


Figura 24

5. Abra el suministro de agua.
6. Mientras está sentado en la posición del operador del tractor, vuelva a arrancar el motor y coloque la palanca del regulador en la posición VELOCIDAD RÁPIDA (FAST, representado por una liebre).
7. Mueva la potencia de arranque (enganche de cuchilla) del tractor a la posición ON (encendido).
8. Permanezca en la posición del operador con la plataforma de corte enganchada durante dos minutos como mínimo, permitiendo que la parte inferior de la plataforma de corte se lave a fondo.
9. Mueva la potencia de arranque (enganche de cuchilla) del tractor a la posición OFF (apagado).

10. Gire la llave de encendido a la posición STOP (parar) para apagar el motor del tractor.
11. Desconecte el agua y retire el acoplador de la manguera desde el puerto de agua que se encuentra en la superficie de la plataforma.

Después de limpiar la plataforma, regrese a la posición del operador y enganche la PTO. Mantenga la plataforma de corte en funcionamiento durante dos minutos por lo menos para permitir que se seque totalmente la parte inferior de la misma.

## LUBRICACIÓN

### ⚠ ADVERTENCIA

Antes de lubricar, reparar o inspeccionar, desconecte la potencia de arranque (PTO), coloque el freno de mano, apague el motor y retire la llave, para evitar el encendido accidental del motor.

## Ruedas delanteras

Cada uno de los ejes y llantas de la rueda delantera viene equipado con un accesorio de engrase. Vea la Figura 25. Lubrique con grasa multiuso N° 2 aplicada con una pistola de engrase cada 25 horas de funcionamiento del tractor.

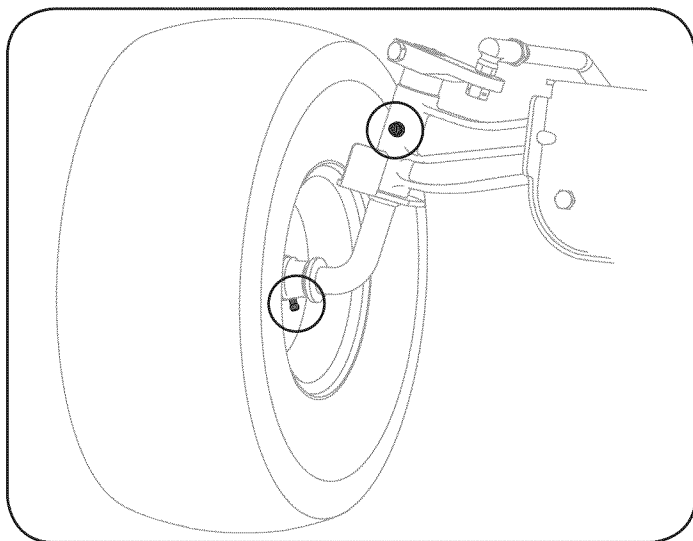


Figura 25

## Puntos de pivote y varillaje

Lubrique todos los puntos de pivote del sistema de impulsión, el freno de mano y el varillaje de elevación al menos una vez por temporada con aceite ligero.

## Ruedas de plataforma

Cada una de las ruedas de calibración delanteras de la plataforma del tractor viene equipada con un accesorio de engrasado. Lubrique con una grasa multiuso N° 2 aplicada con una pistola de engrase cada 25 horas de funcionamiento del tractor.

# SERVICIO Y MANTENIMIENTO

## Husillo de plataforma

Los accesorios de engrase se pueden encontrar en cada husillo de la plataforma. Vea la Figura 26. Lubrique con grasa 251H EP o con una grasa de litio multiuso N° 2 equivalente. Con una pistola de engrasar, haga dos aplicaciones (mínimo) o suficiente grasa al eje de husillo.

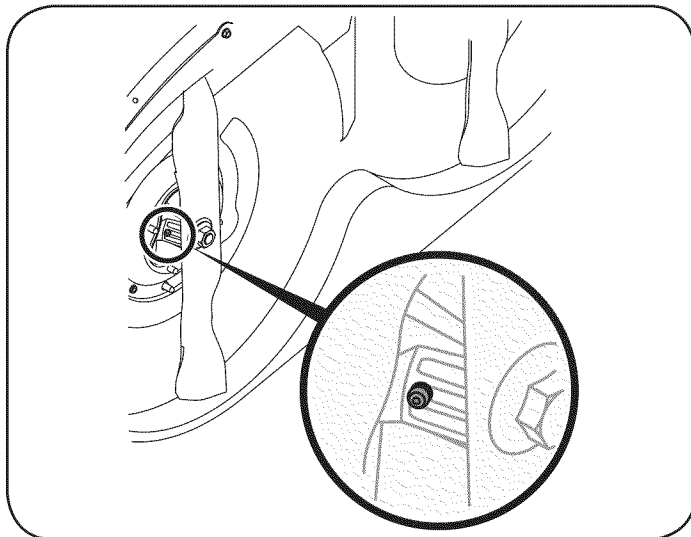


Figura 26

## AJUSTES

### ⚠ ADVERTENCIA

Apague el motor, retire la llave de encendido y coloque el freno de mano antes de realizar ajustes. Proteja sus manos utilizando guantes reforzados cuando manipule las cuchillas.

**NOTA:** Controle la presión de neumáticos del tractor antes de realizar cualquier nivelación de la plataforma. Consulte la sección Neumáticos en la página 84 para obtener información sobre la presión de los neumáticos.

### Nivelación de la plataforma (adelante atrás).

El frente de la plataforma de corte está sostenido por una barra estabilizadora que se puede ajustar para nivelar la plataforma desde la parte delantera hacia la parte trasera. La parte delantera de la plataforma debe estar entre  $\frac{1}{4}$  y  $\frac{3}{8}$  de pulgadas más abajo que la parte trasera. De ser necesario, realice un ajuste de la siguiente manera:

1. Estacione el tractor sobre una superficie firme nivelada y coloque la palanca de elevación de la plataforma en la posición media.
2. Rote la cuchilla más cercana a la cubierta del canal de descarga para que quede paralela al tractor.
3. Mida la distancia desde la parte delantera de la punta de la cuchilla hasta el piso, y desde la parte posterior de la punta de la cuchilla hasta el piso. La primera medición tomada debe ser entre  $\frac{1}{4}$  y  $\frac{3}{8}$  de pulgada menos que la segunda medición.

Determine la distancia aproximada necesaria para un ajuste adecuado y, de ser necesario, proceda.

1. Para elevar la parte delantera de la plataforma, ajuste (enrosque hacia adentro) la contratuerca contra la ménsula de suspensión delantera. Vea la Figura 27.
2. Para bajar la parte delantera de la plataforma, afloje (enrosque hacia afuera) la contratuerca, alejándola de la ménsula de suspensión delantera. Vea la Figura 27.

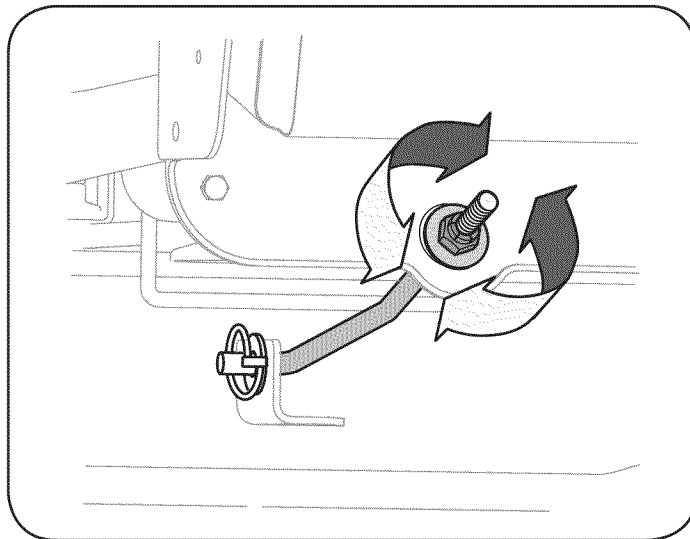


Figura 27

### Nivelación de la plataforma (lado a lado)

Si la plataforma de corte estuviera realizando el corte de césped de forma despereja, puede realizarse un ajuste lado a lado. De ser necesario, realice un ajuste de la siguiente manera:

1. Con el tractor estacionado sobre una superficie firme y nivelada, coloque la palanca de elevación de la plataforma en la posición media y rote ambas cuchillas para que queden perpendiculares al tractor.
2. Mida la distancia desde la parte externa de la punta de la cuchilla izquierda hasta el piso, y desde la parte externa de la punta de la cuchilla derecha hasta el piso. Las dos mediciones obtenidas deben ser iguales. Si no lo son, realice el siguiente paso.



# SERVICIO Y MANTENIMIENTO

3. Afloje, pero NO extraiga, el perno de cabeza hexagonal ubicado en la ménsula de suspensión izquierda de la plataforma. Vea la Figura 28.

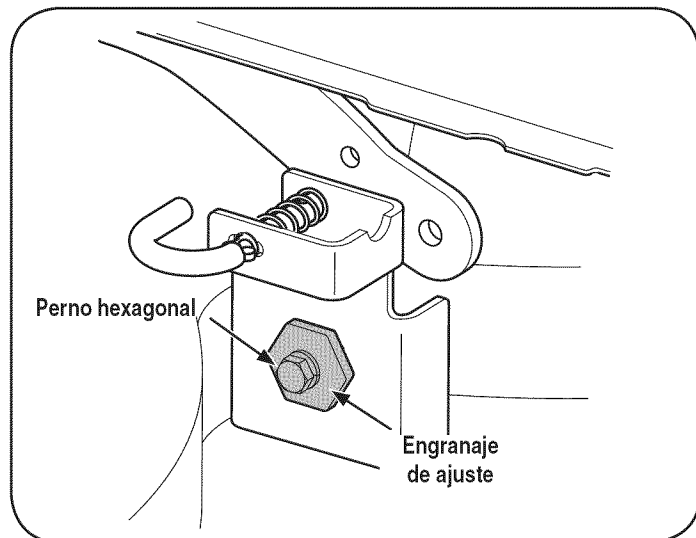


Figura 28

4. Con una llave, levante o baje el lado izquierdo de la plataforma girando el engranaje de ajuste. Vea la Figura 28.

La plataforma se encuentra correctamente nivelada cuando las dos mediciones tomadas antes a las puntas de las cuchillas son iguales. Una vez alcanzado el ajuste necesario, vuelva a ajustar el perno de cabeza hexagonal de la ménsula de suspensión izquierda de la plataforma.

## Ajuste del freno de mano

Si el tractor no se detiene totalmente al presionar el pedal de freno a fondo, o si las ruedas traseras del tractor siguen rodando con el freno de mano colocado (y la válvula de descarga de la transmisión abierta), hay que ajustar el freno. Consulte con un distribuidor Sears u otro distribuidor de servicio calificado para que le ajusten el freno correctamente.

## Ajuste del asiento

Consulte en la sección Montaje de este manual las instrucciones para el ajuste del asiento.

### **⚠ ADVERTENCIA**

Antes de operar el tractor, asegúrese de que el asiento esté enganchado en el tope del asiento. Coloque el freno de mano. Párese detrás de la máquina y tire del asiento hacia atrás hasta que encaje en su lugar haciendo clic.

## Ajuste del volante

Si le cuesta girar el tractor en una dirección más que en la otra, o si se reemplazan las juntas de rótula debido a daños o desgaste, puede ser necesario ajustar las barras de acoplamiento del volante.

Ajuste las barras de acoplamiento para rosar longitudes iguales de cada una en la junta de la rótula del lado izquierdo y la junta de la rótula del lado derecho:

1. Extraiga la tuerca hexagonal de abajo de la junta de la rótula. Vea la Figura 29.

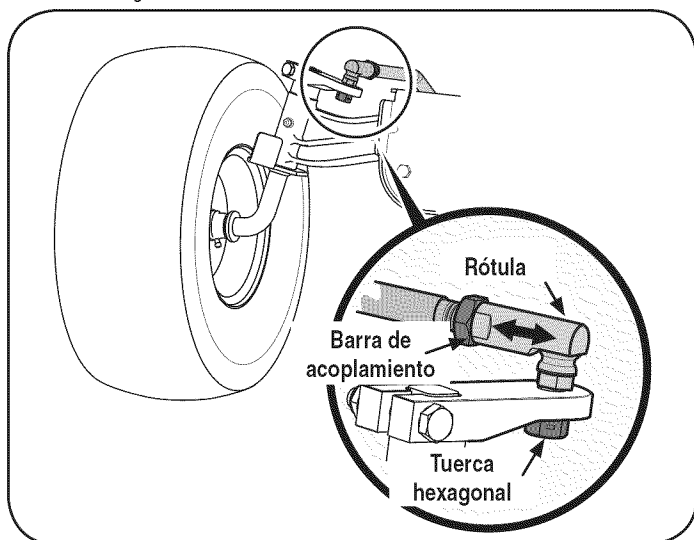


Figura 29

2. Enrosque la junta de la rótula hacia adentro para acortar la barra de acoplamiento. Enrosque la junta de la rótula hacia afuera para alargar la barra de acoplamiento.
3. Vuelva a colocar la tuerca hexagonal después de lograr el ajuste adecuado.

**NOTA:** Si se rosan las rótulas demasiado lejos sobre las barras de acoplamiento, las ruedas delanteras convergerán demasiado lejos. La convergencia adecuada se encuentra entre 1/16" y 5/16".

4. La convergencia de las ruedas delanteras puede medirse de este modo:
  - a. Coloque el volante en posición de desplazamiento hacia adelante.
  - b. Delante del eje, mida la distancia horizontal desde el interior de la llanta izquierda hasta el interior de la llanta derecha. Anote la distancia.
  - c. Detrás del eje, mida la distancia horizontal desde el interior de la llanta izquierda hasta el interior de la llanta derecha. Anote la distancia.
  - d. La medida tomada delante del eje debe ser entre 1/16" y 5/16" menor que la tomada detrás del eje.

# ALMACENAMIENTO FUERA DE TEMPORADA

## ADVERTENCIA

Nunca almacene la tractor corta césped con combustible en el tanque en un espacio cerrado o en áreas poco ventiladas donde los gases del combustible puedan llegar a una llama expuesta, una chispa o un piloto como el que tienen algunos hornos, calentadores de agua, secadores de ropa o algún artefacto a gas.

## PREPARACIÓN DEL MOTOR

**IMPORTANTE:** El combustible que queda en el tanque cuando hace calor se deteriora y causa problemas graves de encendido.

Para evitar que se formen depósitos de goma dentro del carburador del motor y posibles desperfectos en el motor, el sistema de combustible debe ser vaciado completamente, o se debe tratar la gasolina con un estabilizador para evitar el deterioro.

Si utiliza un estabilizador de combustible:

- Lea las instrucciones y recomendaciones del fabricante del producto.
- Agregue la cantidad correcta de estabilizador para la capacidad del sistema de combustible a gasolina limpia y nueva.
- Llene el tanque con combustible tratado y haga funcionar el motor 2-3 minutos para estabilizar el combustible dentro del carburador.

Cuando vacíe el sistema de combustible:

- No drene el combustible cuando el motor está caliente. Permita que el motor se enfríe bien. Drene el combustible dentro de un recipiente aprobado y al aire libre, lejos de cualquier llama expuesta.
- Drene un gran volumen de combustible del tanque, desconectando la línea de combustible del filtro de combustible en línea que se encuentra cerca del motor. Vea Para drenar el combustible en la página 86.

## WARNING

La gasolina es sumamente inflamable y puede ser explosiva en ciertas condiciones. Vacíe la antes de almacenar el equipo durante períodos prolongados. Drene el combustible únicamente dentro de un recipiente aprobado y al aire libre, lejos de cualquier llama expuesta. Deje que el motor se enfríe. Antes de drenar el combustible, apague cigarrillos, cigarros, pipas y otras fuentes de combustión. Almacene la gasolina en un recipiente aprobado, en un lugar seguro.

- Vuelva a conectar la línea de combustible y haga funcionar el motor hasta que comience a fallar, use entonces el cebador para mantener el motor en marcha hasta agotar todo el combustible del carburador.
- Desconecte la línea de combustible y drene la gasolina que queda en el sistema.

## ADVERTENCIA

La gasolina es una sustancia tóxica. Elimine la gasolina adecuadamente. Comuníquese con las autoridades locales para averiguar cuáles son los métodos adecuados para eliminar la gasolina.

Extraiga la bujía y vierta una (1) onza de aceite para motor por el orificio de la bujía hacia el interior del cilindro. Haga girar el motor varias veces para distribuir el aceite. Vuelva a colocar la bujía.

## PREPARACIÓN DEL TRACTOR CORTA CÉSPED

- Limpie y lubrique perfectamente el tractor como se describe en las instrucciones de lubricación.
- No utilice una lavadora a presión o manguera de jardín para limpiar su unidad.
- Almacene la unidad en una zona limpia y seca. No la almacene cerca de productos corrosivos como por ejemplo fertilizantes.

# SOLUCIÓN DE PROBLEMAS

## ⚠ ADVERTENCIA

Antes de realizar cualquier tipo de mantenimiento o servicio, desenganche todos los controles y detenga el motor. Espere a que se detengan completamente todas las piezas móviles. Desconecte el cable de la bujía y póngalo haciendo masa contra el motor para evitar que se encienda accidentalmente. Utilice siempre anteojos de seguridad durante el funcionamiento o mientras ajusta o repara este equipo.

En esta sección se analizan problemas menores de servicio. Para ubicar el Centro de Servicio Sears más cercano o para programar un servicio, simplemente comuníquese con Sears al teléfono 1-800-4-MY-HOME®.

Problema	Causa	Solución
El motor no arranca	<ol style="list-style-type: none"> <li>1. Palanca de enganche de cuchilla conectada.</li> <li>2. No está colocado el freno de mano.</li> <li>3. Se ha desconectado el cable de la bujía.</li> <li>4. La palanca de control del regulador/cebador no está en la posición de arranque correcta.</li> <li>5. El tanque de combustible está vacío o el combustible se ha echado a perder.</li> <li>6. La línea del combustible está bloqueada.</li> <li>7. La bujía no funciona correctamente.</li> <li>8. Motor ahogado.</li> </ol>	<ol style="list-style-type: none"> <li>1. Coloque la palanca en posición de apagado (OFF).</li> <li>2. Coloque el freno de mano.</li> <li>3. Conecte el cable a la bujía.</li> <li>4. Coloque la palanca del regulador/cebador en la posición FAST (rápido).</li> <li>5. Llene el tanque con gasolina limpia y nueva (de menos de 30 días).</li> <li>6. Limpie la línea de combustible y reemplace el filtro de combustible.</li> <li>7. Limpie o cambie la bujía o ajuste la separación.</li> <li>8. Arranque el motor con el regulador en posición FAST (velocidad rápida).</li> </ol>
El motor funciona de manera errática	<ol style="list-style-type: none"> <li>1. La unidad está funcionando con el cebador activado.</li> <li>2. Los cables de la bujía están flojos.</li> <li>3. La línea del combustible está tapada o el combustible se ha echado a perder.</li> <li>4. La ventilación de la tapa del combustible está obstruida.</li> <li>5. Hay agua o suciedad en el sistema de combustible.</li> <li>6. El depurador de aire está sucio.</li> </ol>	<ol style="list-style-type: none"> <li>1. Mueva la palanca del regulador/cebador para sacarlo de la posición de cebador.</li> <li>2. Conecte y ajuste los cables de la bujía.</li> <li>3. Limpie la línea de combustible; llene el tanque con gasolina limpia y nueva y reemplace el filtro de combustible.</li> <li>4. Destape la ventilación o reemplace la tapa si está dañada.</li> <li>5. Vacíe el tanque de combustible. Llene el tanque con gasolina limpia y nueva.</li> <li>6. Reemplace el elemento de papel del depurador de aire o limpie el prefiltro de espuma.</li> </ol>
El motor recalienta	<ol style="list-style-type: none"> <li>1. El nivel de aceite del motor está bajo</li> <li>2. Flujo de aire restringido</li> </ol>	<ol style="list-style-type: none"> <li>1. Llene el motor con la cantidad y tipo de aceite adecuado.</li> <li>2. Elimine los recortes de césped y los desechos de alrededor de las aletas de enfriamiento del motor y de la carcasa del soplador.</li> </ol>
El motor vacila a altas revoluciones	<ol style="list-style-type: none"> <li>1. Spark plug gap set too close</li> </ol>	<ol style="list-style-type: none"> <li>1. Extraiga la bujía y regule la separación.</li> </ol>

## SOLUCIÓN DE PROBLEMAS

El motor funciona mal en marcha lenta	<ol style="list-style-type: none"> <li>1. La bujía de encendido está sucia</li> <li>2. El depurador de aire está sucio</li> </ol>	<ol style="list-style-type: none"> <li>1. Extraiga la bujía y regule la separación.</li> <li>2. Reemplace el elemento depurador de aire y/o limpie el prefiltro.</li> </ol>
Vibración excesiva	<ol style="list-style-type: none"> <li>1. Las cuchillas de corte están flojas o desbalanceadas</li> <li>2. La cuchilla de corte está dañada, desafilada o doblada</li> </ol>	<ol style="list-style-type: none"> <li>1. Apriete la cuchilla y el husillo. Estabilice la cuchilla.</li> <li>2. Reemplace la cuchilla.</li> </ol>
La cortadora de césped no procesa los recortes como abono	<ol style="list-style-type: none"> <li>1. La velocidad del motor es demasiado lenta.</li> <li>2. Pasto mojado.</li> <li>3. Césped demasiado alto.</li> <li>4. Cuchilla desafilada.</li> </ol>	<ol style="list-style-type: none"> <li>1. Coloque el control del estrangulador/cebador en la posición FAST (velocidad rápida, representada por una liebre).</li> <li>2. No procese abono cuando el pasto está mojado.</li> <li>3. Corte una vez con altura de corte elevada y luego vuelva a cortar el césped a la altura deseada, o haga una pasada de corte más angosta.</li> <li>4. Afile o cambie la cuchilla.</li> </ol>
Corte desigual	<ol style="list-style-type: none"> <li>1. La plataforma no está correctamente nivelada.</li> <li>2. Cuchilla desafilada.</li> <li>3. Presión de neumáticos desigual.</li> </ol>	<ol style="list-style-type: none"> <li>1. Haga un ajuste de la plataforma de lado a lado.</li> <li>2. Afile o cambie la cuchilla.</li> <li>3. Verifique la presión de los cuatro neumáticos.</li> </ol>

### ¿NECESITA MÁS AYUDA?

Encontrará la respuesta y más en [managemyhome.com](http://managemyhome.com) - ¡sin cargo!

- Éste y los manuales de todos sus otros productos los encontrará en línea.
- Sus preguntas serán respondidas por nuestro equipo de especialistas.
- Obtenga un plan de mantenimiento personalizado para su hogar.
- Encuentre información y herramientas que lo ayudarán con los proyectos domésticos.

**manage my home**

presentado por Sears

# ACUERDO DE PROTECCIÓN PARA REPARACIONES

Felicitaciones por haber realizado una adquisición inteligente. El producto Craftsman® que ha adquirido está diseñado y fabricado para brindar muchos años de funcionamiento confiable. Pero como todos los productos a veces puede requerir de reparaciones. Es en ese momento cuando el disponer de un Acuerdo de protección para reparaciones le puede ahorrar dinero y problemas.

A continuación se detallan los puntos incluidos en el Acuerdo:

- **Servicio experto** prestado por nuestros 10,000 especialistas en reparaciones profesionales
- **Servicio ilimitado sin cargo** para las piezas y la mano de obra en todas las reparaciones cubiertas
- **Reemplazo del producto** hasta 1500 dólares si no es posible reparar el producto cubierto
- **Descuento de 10%** del precio normal del servicio y de las piezas relacionadas con el mismo que no estén cubiertas por el acuerdo; además, 10% del precio normal de la verificación de mantenimiento preventivo
- **Ayuda rápida por teléfono** - lo llamamos Resolución Rápida – el apoyo telefónico de un Chamusca al representante. Piense en nosotros como el manual “de un dueño hablador.”

Una vez adquirido el Acuerdo, puede programar el servicio con tan sólo realizar una llamada telefónica. Puede llamar en cualquier momento del día o de la noche o programar un servicio en línea. El Acuerdo de Protección de Reparación es una compra sin riesgo. Si usted anula por alguna razón durante el período de garantía de producto, proporcionaremos un reembolso lleno. O, un reembolso prorrateado en cualquier momento después del período de garantía de producto expira. ¡Adquiera hoy su acuerdo de protección para reparaciones!

**Se aplican determinadas limitaciones y exclusiones. Para obtener información adicional y precios en los Estados Unidos llame al 1-800-827-6655.**

**El \*Coverage en Canadá varía en algunos artículos. Para detalles llenos la llamada Chamusca Canadá en 1-800-361-6665.**

## **Servicio de instalación de Sears**

Si desea solicitar la instalación profesional de Sears de aparatos domésticos, dispositivos para abrir portones, calentadores de agua y otros artículos domésticos importantes, en los Estados Unidos o Canadá llame al **1-800-4-MY-HOME®**.

## Busque el período de duración de emisiones importantes y la información de clasificación de aire en la etiqueta de emisiones de su motor

Los motores cuyo cumplimiento con los estándares de emisión Tier 2 de la Comisión de Recursos Ambientales de California (CARB) esté certificado deben exhibir la información relacionada con el período de duración de las emisiones y la clasificación de aire. Sears, Roebuck and Co., de los Estados Unidos ponen esta información a disposición del consumidor en nuestras etiquetas de emisiones.

El Período de Duración de las Emisiones describe el número de horas de tiempo real de funcionamiento para el cual se certifica que el motor cumple con las reglas de emisión, descontando el mantenimiento adecuado del mismo según las instrucciones de operación y mantenimiento. Se utilizan las siguientes categorías:

**Moderado:** Se certifica que el motor cumple con las reglas de emisión durante 125 horas de tiempo real de funcionamiento del motor.

**Inmediato:** Se certifica que el motor cumple con las reglas de emisión durante 250 horas de tiempo real de funcionamiento del motor.

**Extendido:** Se certifica que el motor cumple con las reglas de emisión durante 500 horas de tiempo real de funcionamiento del motor.

Por ejemplo, una cortadora de césped típica que se empuja desde atrás se usa entre 20 y 25 horas por año. Por lo tanto, el **Período de Duración de Emisiones** de un motor con una **clasificación intermedia** sería equivalente a entre 10 y 12 años.

La **clasificación de aire** es un número calculado para describir el nivel relativo de emisiones para un grupo de motores en particular. Cuanto menor sea la **clasificación de aire**, mayor es la limpieza del motor. La información se presenta de forma gráfica en la etiqueta de emisiones.

### Después del 1 de julio de 2000, busque el período de cumplimiento de las reglas de emisiones en la etiqueta de cumplimiento de las reglas de emisiones del motor

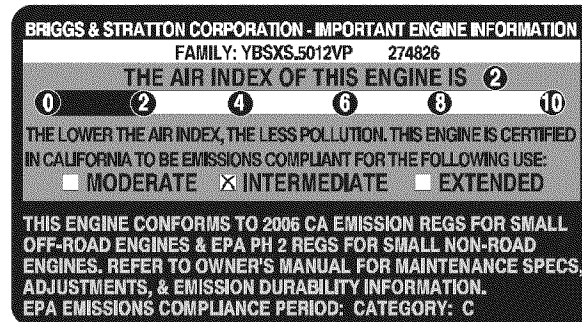
Después del 1 de julio de 2000 se certificará que determinados motores Sears, Roebuck and Co., de los Estados Unidos cumplen con los estándares de emisiones de la fase 2 de la Agencia de Protección Ambiental de los Estados Unidos (USEPA). Para los motores certificados para la etapa 2, el período de cumplimiento con las reglas de emisiones al cual se hace referencia en la etiqueta de cumplimiento con las reglas de emisiones indica el número de horas de funcionamiento para el cual se ha demostrado que el motor cumple con los requerimientos federales de emisión.

Para los motores con desplazamiento inferior a 225 cc, Categoría C = 125 horas, B = 250 horas y A = 500 horas.

Para los motores con desplazamiento de 225 cc o más, Categoría C = 250 horas, B = 500 horas y A = 1000 horas.

El desplazamiento de los motores de la serie modelo 150112 es 249 cc.

La presente es una representación genérica de la etiqueta de emisión que se encuentra generalmente en un motor certificado.



(Esta página se aplica sólo en EE.UU. y Canadá).

**Sears, Roebuck and Co., U.S.A. (Sears), el Consejo de Recursos Ambientales de California (CARB)  
y la Agencia de Protección Ambiental de los Estados Unidos (EPA)**

**Declaración de garantía del sistema de control de emisiones (derechos y obligaciones de la garantía de defectos del propietario)**

LA COBERTURA DE LA GARANTÍA DE CONTROL DE EMISIONES ES APLICABLE A LOS MOTORES CERTIFICADOS COMPRADOS EN CALIFORNIA EN 1995 Y POSTERIORMENTE, QUE SE UTILIZAN EN CALIFORNIA,

**Declaración de garantía sobre defectos en el control de emisiones para California y los Estados Unidos**

El Consejo de Recursos Ambientales de California (CARB), la EPA (Agencia de Protección Ambiental de los EE.UU.) y Sears tienen el gusto de explicar la garantía del sistema de control de emisiones para motores del año 2000 y para el futuro con relación a motores pequeños todo terreno (SORE). En California, los nuevos motores pequeños todo terreno deben estar diseñados, construidos y equipados para cumplir con las rigurosas normas anti-smog del estado. En el resto de los Estados Unidos, los motores nuevos todo terreno de encendido por chispa certificados para el año 1997 deben cumplir estándares similares establecidos por la EPA. Sears debe garantizar el sistema de control de emi-

Y PARA LOS MODELOS CERTIFICADOS DEL AÑO 1997 Y POSTERIORES, QUE SE COMPREN Y UTILICEN EN CUALQUIER PARTE DE LOS ESTADOS UNIDOS (Y A PARTIR DEL 1 DE ENERO DE 2001 EN CANADÁ).

siones de su motor para los períodos de tiempo enumerados a continuación, siempre que no haya abuso, negligencia o mantenimiento indebido de su motor todo terreno pequeño. Su sistema de control de emisiones puede incluir piezas tales como el carburador, el filtro de aire, el sistema de encendido, el silenciador y el convertidor catalítico. También puede incluir conectores y otras unidades relacionadas con las emisiones. Donde exista una condición cubierta por la garantía, Sears reparará su pequeño motor todo terreno sin costo alguno incluyendo diagnóstico, piezas y mano de obra

**Cobertura de la garantía Sears para defectos en el control de emisiones**

Los motores todo terreno pequeños están garantizados en lo relativo al control de emisiones para defectos en piezas durante un período de dos años, sujeto

**Responsabilidades del propietario en relación con la garantía**

Como propietario del motor todo terreno pequeño, Ud. es responsable de la realización del mantenimiento requerido que se incluye en las instrucciones de operación y mantenimiento. Sears recomienda que se conserven todos los recibos relativos al mantenimiento de su motor todo terreno pequeño, pero no puede denegar la garantía simplemente por la falta de los mismos, o por su incumplimiento del mantenimiento programado. Como propietario del motor pequeño todoterreno debe saber que, sin embargo, Sears le puede negar la cobertura de la garantía si su motor todoterreno pequeño o una pieza del mismo han fallado debido a abuso, negligencia, mantenimiento indebido o

**Disposiciones de la garantía Sears para defectos en el control de emisiones**

Las siguientes son disposiciones específicas relacionadas con la cobertura de la garantía para defectos en el control de emisiones. Es un añadido a la garantía de motor Sears para motores no regulados que se encuentra en las instrucciones de funcionamiento y mantenimiento.

**1. Piezas con garantía**

La cobertura de esta garantía se extiende únicamente a las piezas que aparecen a continuación (las partes de los sistemas de control de emisiones), siempre que dichas piezas estuvieran ya en el motor en el momento de su compra.

- a. Sistema de medición de combustible
    - Sistema de enriquecimiento para arranque en frío
    - Carburador y partes internas
    - Bomba de combustible
  - b. Sistema de inducción de aire
    - Filtro de aire
    - Colector de admisión
  - c. Sistema de encendido
    - Bujía(s) de encendido
    - Sistema de encendido magneto
  - d. Sistema del catalizador
    - Convertidor catalítico
    - Colector de escape
    - Sistema de inyección de aire o válvula de impulsos
  - e. Elementos variados usados en los sistemas anteriores
    - Válvulas de vacío, sensibles a temperatura, posición y tiempo e interruptores
    - Conectores y montajes
2. Alcance de la cobertura
- Sears garantiza al poseedor inicial y a los compradores subsiguientes que las piezas con garantía no tendrán defectos en materiales ni mano de obra que provoquen la falla de las mismas durante un período de dos años a partir de la fecha en que el motor se entrega a un comprador particular.
3. Sin cargo
- La reparación o reemplazo de cualquier parte con garantía se realizará

a las disposiciones que se indiquen a continuación. Si una parte de su motor cubierta por la garantía es defectuosa, Sears reparará o sustituirá dicha parte.

a modificaciones no aprobadas. Ud. es responsable de presentar su motor todoterreno pequeño a un distribuidor de servicios Sears autorizado tan pronto como aparezca un problema. Las reparaciones de la garantía sin conflicto deben completarse en un plazo de tiempo razonable, no superior a 30 días. Si tiene alguna pregunta respecto a sus derechos y responsabilidades referentes a la garantía, debe contactar con un representante de servicios Sears al 1--800--469--4663. La garantía de emisiones es una garantía por defectos. Los defectos se juzgan de acuerdo con el funcionamiento normal de un motor. La garantía no está relacionada con una prueba de emisiones en uso.

sin cargo alguno para el poseedor, incluyendo tareas de diagnóstico que permitan determinar si una parte con garantía es defectuosa, siempre que dicho diagnóstico se realice en un distribuidor de servicios Sears autorizado. Para el servicio de la garantía de emisiones, contacte al distribuidor de servicios Sears autorizado más cercano incluido en las "Páginas amarillas" en las categorías "Motores, gasolina", "Motores de gasolina", "Podadoras de césped", o similares.

**4. Reclamaciones y exclusiones a la cobertura**

Las reclamaciones de la garantía deben enviarse de acuerdo con las disposiciones de la política de garantía para motores Sears. La cobertura de la garantía excluirá defectos en piezas con garantía que no sean partes originales Sears, o abuso, negligencia o mantenimiento incorrecto, tal y como se establece en la política de garantía para motores Sears. Sears no es responsable de las fallas en piezas con garantía provocadas por el uso de partes añadidas, que no sean originales o que se hayan modificado.

**5. Mantenimiento**

Cualquier parte con garantía que no esté programada para ser reemplazada como mantenimiento requerido, o que sólo deba inspeccionarse regularmente al efecto de "inspeccione o reemplace según sea necesario", estará garantizada contra defectos durante el período de la garantía. Todas las piezas garantizadas que estén programadas para su reemplazo para cumplir con los requisitos de mantenimiento estarán garantizadas sólo por el período anterior al primer reemplazo programado para dicha pieza. Cualquier pieza de recambio que sea equivalente en funcionamiento y durabilidad puede usarse para realizar mantenimiento o reparaciones. El propietario es responsable de realizar todo el mantenimiento requerido, tal y como se define en las instrucciones de funcionamiento y mantenimiento Sears

**6. Cobertura indirecta**

Por la presente, la cobertura se extiende a la falla de cualquier componente de motor provocada por la falla de una pieza con garantía que esté todavía en período de garantía.

En los Estados Unidos y Canadá hay una línea de atención de 24 horas, **1-800-469-4663**, que cuenta con un menú con mensajes pre-grabados que contienen información para el mantenimiento de motores.

**DECLARACIÓN FEDERAL y/o DE CALIFORNIA SOBRE GARANTÍAS EN EL CONTROL DE EMISIONES  
SUS DERECHOS Y OBLIGACIONES EN CUANTO A LA GARANTÍA**

MTD Consumer Group Inc, la Agencia de Protección Medioambiental de los Estados Unidos (EPA), y para aquellos productos certificados para su venta en el estado de California, el Departamento de los Recursos del Aire de California (CARB) se complacen en explicar la garantía que cubre al sistema de control (ECS) de emisiones (evaporativas y/o de escape) de su equipo y motor (motor de equipos de exteriores) de encendido por chispa para todo terreno, pequeño, de exteriores del año 2006 y años posteriores. En California, los nuevos motores de equipos de exteriores deben estar diseñados, construidos y equipados para cumplir con las estrictas normas antipolución del Estado (en otros estados, los equipos del año 1997 y modelos posteriores deben estar diseñados, construidos y equipados para cumplir con las regulaciones de motores de encendido por chispa para todo terreno pequeños de la Agencia de Protección Medioambiental de los Estados Unidos, (EPA). MTD Consumer Group Inc. debe garantizar el sistema de control de emisiones (ECS) de su motor de equipos de exteriores por el período de tiempo indicado más abajo, siempre y cuando no exista uso incorrecto, negligencia o mantenimiento inadecuado de dicho motor.

Su ECS puede incluir piezas tales como el carburador, el sistema de inyección de combustible, el sistema de encendido, el convertidor catalítico, los depósitos de combustible, las líneas de combustible, los tapones de combustible, las válvulas, contenedores, filtros, mangueras de vapor, abrazaderas, conectores y otros componentes afines relacionados con las emisiones.

Donde exista una condición cubierta por la garantía, MTD Consumer Group Inc. reparará su motor de equipos de exteriores sin costo alguno incluyendo el diagnóstico, las piezas y la mano de obra.

**COBERTURA DE LA GARANTÍA DEL FABRICANTE:**

Este sistema de control de emisiones se garantiza por el término de dos años. Si alguna pieza relacionada con las emisiones de su motor de equipos de exteriores es defectuosa, MTD CONSUMER GROUP INC. reparará o sustituirá dicha pieza.

**RESPONSABILIDADES DEL PROPIETARIO SEGÚN LA GARANTÍA:**

En su carácter de propietario del motor de equipos de exteriores, usted es responsable del mantenimiento requerido que se especifica en el manual del propietario. MTD Consumer Group Inc le recomienda que conserve todos los recibos que cubren el mantenimiento de su motor, no obstante lo cual MTD Consumer Group Inc no podrá denegar el cumplimiento de la garantía únicamente por la falta de los recibos.

Como propietario del motor de equipos de exteriores, usted debe saber que MTD Consumer Group Inc. puede denegar la cobertura de la garantía si su motor o una pieza del mismo fallan debido a uso incorrecto, negligencia, mantenimiento indebido o a modificaciones no aprobadas.

Usted es responsable de presentar su motor al centro de distribución o servicio técnico de MTD Consumer Group Inc. tan pronto como aparezca el problema. Las reparaciones cubiertas por la garantía se deben llevar a cabo en un lapso razonable que no exceda de 30 días. Si tiene alguna pregunta respecto de la cobertura de la garantía, póngase en contacto con el Departamento del Servicio Técnico de MTD Consumer Group Inc. al teléfono 1-800-800-7310 o por correo electrónico en <http://support.mtdproducts.com>

**COBERTURA DE LA GARANTÍA DE EMISIONES GENERALES:**

MTD Consumer Group Inc garantiza al comprador final y a cada comprador subsiguiente que el motor de equipos de exteriores: está diseñado, construido y equipado de modo de cumplir con todas las regulaciones aplicables y que se encuentra libre de defectos de materiales y de fabricación que pudieren causar la falla de una pieza garantizada idéntica, en todos los aspectos materiales a la pieza descrita en la solicitud de certificación de MTD Consumer Group Inc.

El período de garantía comienza en la fecha de entrega del motor al comprador final o en la fecha en que la máquina se pone en funcionamiento por primera vez. El período de garantía es de dos años.

Sujeto a ciertas condiciones y exclusiones que se indican a continuación, la garantía de las piezas relacionadas con las emisiones es la siguiente:

1. Cualquier pieza garantizada que no esté programada para ser reemplazada como parte del mantenimiento requerido en las instrucciones escritas suministradas se garantiza por el período de garantía arriba mencionado. Si la pieza falla durante el período de cobertura de la garantía, la misma será reparada o reemplazada por MTD Consumer Group Inc. de acuerdo con el párrafo (4) a continuación. Cualquier pieza reparada o reemplazada según la garantía se garantizará por el resto del período de garantía.
2. Cualquier pieza garantizada que esté programada solamente para inspección regular en las instrucciones escritas suministradas se garantiza por el período de garantía arriba mencionado. Cualquier pieza reparada o reemplazada según la garantía se garantizará por el resto del período.
3. Cualquier pieza garantizada que esté programada para reemplazo según el mantenimiento requerido de conformidad con las instrucciones escritas suministradas, se garantiza por el período de tiempo anterior a la primera fecha de reemplazo programada para esa pieza. Si la pieza falla antes del primer reemplazo programado, la misma será reparada o reemplazada por MTD Consumer Group Inc. de acuerdo con el párrafo (4) a continuación. Cualquier pieza reparada o reemplazada bajo garantía se garantizará por el resto del período anterior al primer reemplazo programado puntual para esa pieza.
4. La reparación o el reemplazo de cualquier pieza garantizada de conformidad con las disposiciones de la garantía que aquí se estipula se deben realizar en un centro de garantía sin costo alguno para el propietario.
5. No obstante las disposiciones que aquí se estipulan, los servicios o reparaciones bajo garantía se suministrarán en todos nuestros centros de distribución bajo franquicia de mantenimiento para los motores o equipos en cuestión.
6. El propietario del motor de equipos de exteriores no deberá pagar el trabajo de diagnóstico directamente asociado con una pieza garantizada defectuosa en relación con las emisiones, siempre y cuando dicho trabajo de diagnóstico se realice en un centro cubierto por la garantía.
7. MTD Consumer Group Inc es responsable por daños causados a otros componentes de motores o equipos derivados de la falla bajo garantía de cualquier pieza garantizada.



8. Durante la totalidad del período de garantía del motor y equipo para todo terreno arriba mencionado, MTD Consumer Group Inc mantendrá un suministro de piezas bajo garantía suficiente para satisfacer la demanda esperada de tales piezas.
9. Cualquier pieza de reemplazo se podrá usar para el cumplimiento del mantenimiento o las reparaciones bajo garantía y se suministrarán sin cargo para el propietario. Dicho uso no reducirá las obligaciones de garantía de MTD Consumer Group Inc.
10. No se podrán usar piezas adicionales ni modificadas que no estén exentas de acuerdo con el Departamento de los Recursos del Aire (Air Resources Board). El uso de cualquier pieza adicional o modificada no exenta por el comprador final será causal de invalidez de los reclamos bajo garantía. MTD Consumer Group Inc no tendrá responsabilidad por la garantía de fallas de piezas garantizadas que fueren causadas por el uso de una pieza adicional no exenta o modificada.

#### **PIEZAS GARANTIZADAS:**

La reparación o el reemplazo de cualquier pieza garantizada que de otro modo pudiese estar cubierta por la garantía podrá ser excluida de tal cobertura de garantía si MTD Consumer Group Inc demuestra que el motor es objeto de uso incorrecto, negligencia o mantenimiento inadecuado, y que tal uso incorrecto, negligencia o mantenimiento inadecuado fue causa directa de la necesidad de reparación o reemplazo de dicha pieza. No obstante lo antedicho, cualquier ajuste de un componente con un dispositivo de limitación de ajuste instalado en fábrica y que funcione adecuadamente, podrá ser cubierto por la garantía. Además, la cobertura bajo esta garantía se extiende solo a piezas que estuvieron presentes en el motor y equipo todo terreno adquiridos.

Están cubiertas las siguientes piezas con garantía para emisiones (de corresponder):

- (1) Sistema de medición de combustible
  - Sistema de mejora para inicio en frío (cebado suave)
  - Carburador y piezas internas (o sistema de inyección por combustible)
  - Bomba de combustible
  - Depósito de combustible
- (2) Sistema de inducción de aire
  - Purificador de aire
  - Colector de admisión
- (3) Sistema de encendido
  - Bujía(s) de encendido
  - Sistema de encendido por magneto
- (4) Sistema de encendido
  - Convertidor catalítico
  - SAI (válvula Reed)
- (5) Componentes varios utilizados en el sistema anterior
  - Válvulas e interruptores de vacío, temperatura, posición sensibles al tiempo
  - Conectores y montajes
- (6) Control evaporativo
  - Manguera de combustible
  - Abrazaderas de la manguera de combustible
  - Tapón del combustible atado por correa
  - Caja de carbono
  - Líneas de vapor

# NOTAS

# NOTAS

**CRAFTSMAN®**

**Riding Equipment  
questions or problems?**

**Satisfaction with your purchase  
is our number one concern!**

**To troubleshoot problems,  
get answers to questions, order parts,  
or schedule repair service for your  
Riding Equipment, call the number below.**

**Para respuestas a preguntas o problemas,  
y ordenar piezas o pedir servicio para la  
reparación de su equipo, llame el número abajo.**

---

**1-800-659-5917**

**Craftsman Help Line**

---

**[www.craftsman.com](http://www.craftsman.com)**