

SEARS
owners
manual

MODEL NO.
291.376100

CAUTION:
Read **RULES** for
Safe **OPERATION**
and **INSTRUCTIONS**
Carefully



SEARS
CRAFTSMAN®
16" HAND
LAWN MOWER

assembly
operating
repair parts

SEARS, ROEBUCK and Co., Hoffman Estates, IL 60179 U.S.A.

RULES FOR SAFE OPERATION

1. Read and familiarize yourself with the methods of use.
2. Inspect your lawn and remove foreign objects, etc.
3. Don't operate mower when barefoot or wearing sandals.
4. Use caution – A mower is a precision piece of lawn care equipment and should be treated as such.
5. Don't operate a damaged mower. Have repairs made before returning to work.
6. Never place your hands or feet near a moving part.
7. Do not mow the lawn when it is wet enough to be slippery.
8. Always be sure of your footing. Walk, don't run.
9. Keep all screws and nuts tight. Be sure equipment is in a safe operating condition. Keep mower clean of dry grass and dirt.

1 YEAR LIMITED WARRANTY ON MODEL 291.376100 SEARS LAWN MOWER

For one year from the date of purchase, when this Sears Lawn Mower is maintained and lubricated according to the instructions in the owner's manual, Sears will repair, free of charge, any defect in material and workmanship.

This warranty does not cover:

Expendable items which become worn during normal use.

Repairs necessary because of operator abuse or negligence, and the failure to maintain the equipment according to the instructions contained in the owner's manual.

WARRANTY SERVICE IS AVAILABLE BY RETURNING THE SEARS LAWN MOWER TO THE NEAREST SERVICE CENTER/DEPARTMENT IN THE UNITED STATES.

This warranty gives you specific legal rights, and you may also have other rights which vary from state to state.

SEARS, ROEBUCK AND CO., D-817WA Hoffman Estates, IL 60179

ITEMS IN CARTON

One complete Hand Mower Chassis.

Two upper handle sections.

Two lower handle sections.

One plastic bag including hardware for assembly of handle & handle grips.

One 1/4" x 1 3/4" handle bolt–

Two 1/4" x 2" handle bolts–

Three 1/4-20 handle nuts

Two retaining rings.

Do not use Key Numbers when ordering Repair Parts, always use Part Numbers.

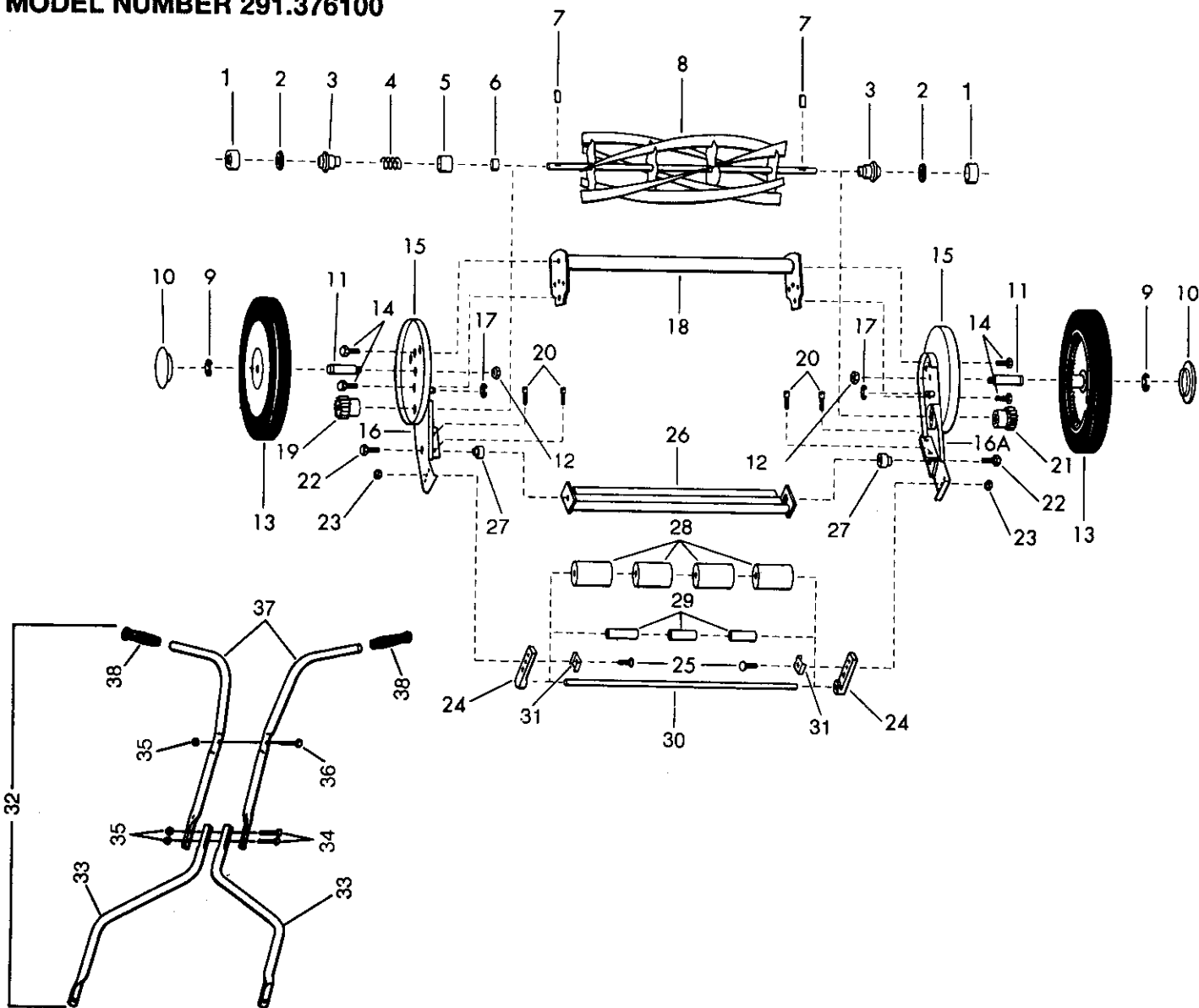
Your mower is right hand (R.H.) or left hand (L.H.) as you push.

CUSTOMER RESPONSIBILITIES

Always use care when operating your Lawn mower. Keep clear of moving parts. Avoid striking or running into solid objects or debris in the area to be mowed. Keep the mower clean. Follow a regular maintenance and check schedule to provide efficient and safe operation. Well-cared for Lawn mowers will last longer and operate more efficiently.

16" HAND LAWN MOWERS

MODEL NUMBER 291.376100



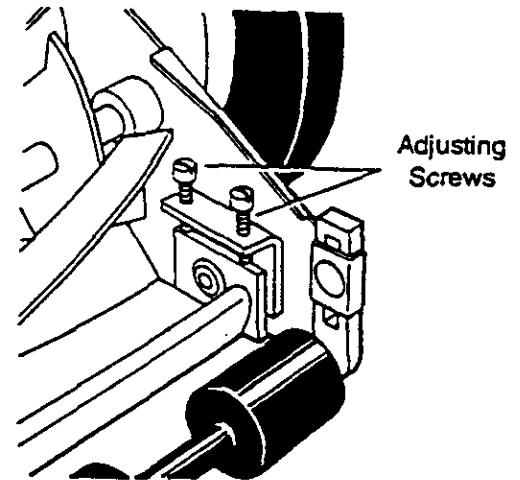
KEY NO.	PART NO.	PART NAME	REQ.
1.	30122	Ball Cup	2
2.	30137	Ball Bearing Assembly	2
3.	30004	Bearing Cone	2
4.	30309	Spring, Reel Adj.	1
5.	30308-0-10	Dust Cap	1
6.	30307	Reel Spacer	1
7.	30316	Ratchet Pawl	2
8.	10122-2-10	Reel Assembly (Includes Key Nos. 2 thru 6)	1
9.	30317-1	Axle Snap Ring	2
10.	30926	Hub Cap	2
11.	30337	Axle	2
12.	30733	Hex Nut 3/8"	2
13.	10426	Wheel & Tire	2
14.	30660	Hex Head Bolt	4
15.	30730	Cover Plate	2
16.	10326-17-10	Left Side Plate	1
16. A	10326-16-10	Right Side Plate	1
17.	30990	Retaining Rings	2
18.	10330-10	Torsion Bar Assy.	1

KEY NO.	PART NO.	PART NAME	REQ.
19.	30737-3	Left Pinion Gear	1
20.	30300	Adjusting Screws	4
21.	30737-2	Right Pinion Gear	1
22.	31039	Cutter Bar Bolt	2
23.	31043	Hex Nut Nylon Insert	2
24.	30321	Roller Bracket	2
25.	30119-5	Carriage Bolt 5/16"	2
26.	10305-2-10	Cutter Bar Assy.	1
27.	30519	Cutter Bar Stud	2
28.	30320	Roller Section	4
29.	30071-4	Roller Spacer	3
30.	30319-2	Roller Tube	1
	10016-3	Complete Roller Assy.	
31.	31006	Roller Bracket Clamp	2
32.	10443-9	Complete Handle Assy.	
33.	30983-4	Lower Handle	2
34.	30991-1	Handle Bolt 1/4 x 2	2
35.	30992	Hex Nut Nylock	3
36.	30991	Handle Bolt 1/4 x 1 3/4	1
37.	30982-5	Upper Handle	2
38.	30747	Handle Grip	2

MOWER BLADE ADJUSTMENT

- *The blades have been preadjusted before leaving the factory.
- *Misalignment can occur resulting in blades that are too loose or too tight. If this happens, you will notice a rough, uneven cut or a hard pushing mower.
- *All adjustments are made from the rear of the mower (opposite from the bar with the logo decal.) Each end of the cutting bar can be adjusted separately.
- *As you follow the instructions below, refer to Figure 1 for more information.
- *The cutting bar blade (located under the reel) pivots. The front screws move the cutter bar away from the blades, while the rear screws move the cutting bar toward the blades.
- *Adjusting the screws is a very sensitive procedure. 1/16th of a turn is considered a major adjustment.
- *Before tightening one adjusting screw, be sure to loosen the opposing screw an equal amount.

FIGURE 1



LOOSENING THE BLADES

- *The cutter bar blade must be moved further from the cutting reel.
- *Loosen both back screws equally by turning them counter clockwise.
- *Tighten both front screws equally by turning them clockwise.

TIGHTENING THE BLADES

- *The cutter bar must be moved closer to the cutting reel.
- *Loosen both front screws equally by turning them counter-clockwise.
- *Tighten both back screws equally by turning them clockwise.

CHECKING ADJUSTMENTS

- *Turn mower upside down.
- *Insert a piece of paper (i.e., writing or newspaper) between the cutter bar and the reel blades, and carefully turn the reel blades by hand.
- *All blades should slice the paper evenly the entire length of the cutter bar while the reel turns smoothly.
- *If the mower has an uneven cut, an adjustment should be made to the appropriate side of the blades to attain an even cutting action.

SEARS
OWNER'S
MANUAL

MODEL NO.
291.376100

To Call
Toll Free
For Service:

1-800-4-REPAIR
(1-800-473-7247)

For Parts:

1-800-FON-PART
(1-800-336-7278)

CRAFTSMAN®
16" HAND
LAWN MOWER

The model number of your lawn mower is found on a decal on the cutter bar at the back of the mower.

All repair parts are available for immediate purchase or special order when you visit your nearest Sears Service Center, or the Service Department at most Sears Stores. To request service or order parts by phone, call the toll free numbers listed to the left.

When requesting service or ordering parts, always provide the following information:

- ◆ Product Type
- ◆ Model Number
- ◆ Part Number
- ◆ Part Description

SEARS, ROEBUCK and Co., Hoffman Estates, IL 60179 U.S.A.