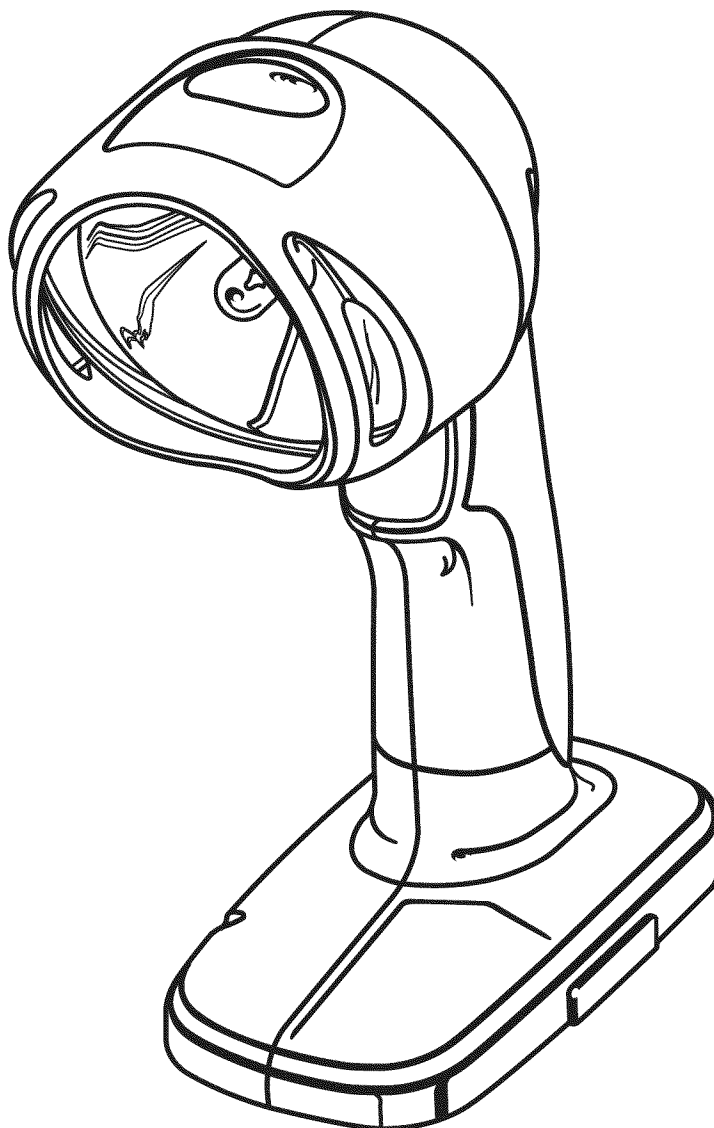


OPERATOR'S MANUAL



19.2 VOLT WORKLIGHT

Model No.
315.113913



**BATTERIES AND CHARGERS
SOLD SEPARATELY**

⚠ WARNING: To reduce the risk of injury, the user must read and understand the operator's manual before using this product.

Customer Help Line: 1-800-932-3188

Sears, Roebuck and Co., 3333 Beverly Rd., Hoffman Estates, IL 60179 USA
Visit the Craftsman web page: www.sears.com/craftsman



TABLE OF CONTENTS

■ Warranty	2
■ Introduction	2
■ General Safety Rules	3-4
■ Symbols.....	5
■ Operation.....	6
■ Maintenance.....	7
■ Parts Ordering/Service.....	Back Page

WARRANTY

ONE-YEAR FULL WARRANTY ON CRAFTSMAN TOOL

If this Craftsman tool fails to give complete satisfaction within one year from date of purchase, **RETURN IT TO ANY SEARS STORE OR OTHER CRAFTSMAN OUTLET IN THE UNITED STATES FOR FREE REPLACEMENT.**

If this Craftsman tool is used for commercial or rental purposes, this warranty applies for only 90 days from the date of purchase.

This warranty gives you specific legal rights, and you may also have other rights which vary from state to state.

Sears, Roebuck and Co., Hoffman Estates, IL 60179

INTRODUCTION

This worklight has many features for making its use more pleasant and enjoyable. Safety, performance, and dependability have been given top priority in the design of this product making it easy to maintain and operate.

GENERAL SAFETY RULES

IMPORTANT SAFETY INSTRUCTIONS

⚠ WARNING! READ AND UNDERSTAND ALL INSTRUCTIONS. Failure to follow all instructions listed below, may result in electric shock, fire and/or serious personal injury.

⚠ WARNING! When using electric appliances, basic precautions should always be followed, including the following:

⚠ WARNING: The lens gets very hot during use. To reduce the risk of burns, do not touch a hot lens.

- Read all the instructions before using the appliance.
- To reduce the risk of injury, close supervision is necessary when an appliance is used near children.
- Do not use outdoors.
- To reduce the risk of electrical shock, do not put flashlight or charger in water or other liquid. Do not place or store appliance where it can fall or be pulled into a tub or sink.
- Use only the charger supplied by the manufacturer to recharge.
- Use only recommended battery pack. Any attempt to use another battery pack will cause damage to your worklight and could possibly explode, cause a fire, or personal injury.

MODEL	BATTERY PACK (Li-ion)	CHARGER
315.113913	315.113710 (130156001) 315.113740 (130285003) (130285006)	(Multi-Chemistry) 315.259260 (140351001)
	BATTERY PACK (Ni-Cd)	315.259260 (140351001)
	130279003, 130279005 (Item No. ⁹ 11375)	1425301 (⁹ 11041) 315.115730 (140301003) 140107001

- Remove battery pack from worklight before replacing bulb or performing any routine maintenance or cleaning. Replace bulb with same type rated 19.2 V, 0.6 Amp.
- Do not disassemble the worklight.
- Do not place worklight or battery pack near fire or heat. They may explode. Also, do not dispose of a worn out battery pack by incinerating. Do not incinerate the battery, even if it is severely damaged or completely worn out. The battery may explode in fire.
- Do not operate worklight or charger near flammable liquids or in gaseous or explosive atmospheres. Internal sparks may ignite fumes.
- Do not store your worklight in a damp or wet location. Do not store in locations where the temperature is less than 50°F or more than 100°F. Do not store in outside sheds or in vehicles.
- Do not permit children to use worklight unsupervised. It is not a toy. The temperature of the bulb will become hot after being on for only a short period of time. This hot temperature can cause burn injury if touched and can create sufficient heat to melt some fabrics.
- If wrapped or in contact with fabrics, the worklight lens can produce sufficient heat to melt some fabrics. To avoid serious personal injury, never allow the worklight lens to come in contact with anything.
- Keep light dry, clean, and free from oil and grease. Always use a clean cloth when cleaning. Never use brake fluids, gasoline, petroleum-based products, or any strong solvent to clean the worklight.
- Don't expose worklight to rain. Water entering a power tool will increase the risk of electric shock or malfunction.

GENERAL SAFETY RULES

- **Do not overreach. Keep proper footing and balance at all times.** Proper footing and balance enable better control of the worklight in unexpected situations. Do not use on a ladder or unstable support.

WORKLIGHT USE AND CARE

- **This product is for household use only.**
- **Store worklight out of the reach of children and other untrained persons.** Worklights are dangerous in the hands of untrained users.
- **Let worklight cool for several minutes after use before changing the bulb.**
- **Do not use or permit use of worklight in bed or sleeping bags.** This worklight lens can melt fabric and a burn injury could result.

SAFETY RULES FOR BATTERY WORKLIGHTS






- **Under extreme usage or temperature conditions, battery leakage may occur.** If liquid comes in contact with your skin, wash immediately with soap and water, then neutralize with lemon juice or vinegar. If liquid gets

in your eyes, flush them with clean water for at least 10 minutes, then seek immediate medical attention.




- **Batteries can explode in the presence of a source of ignition, such as a pilot light.** To reduce the risk of serious personal injury, never use any cordless product in the presence of open flame. An exploded battery can propel debris and chemicals. If exposed, flush with water immediately.
- **Do not crush, drop or damage battery pack. Do not use a battery pack or charger that has been dropped or received a sharp blow.** A damaged battery is subject to explosion. Properly dispose of a dropped or damaged battery immediately. Failure to heed this warning can result in serious personal injury.
- **If the power supply cord is damaged,** it must be replaced only by the manufacturer or by an authorized service center to avoid risk.
- **Save these instructions.** Refer to them frequently and use them to instruct others who may use this power tool. If you loan someone this power tool, loan them these instructions also.


SYMBOLS

Some of the following symbols may be used on this worklight. Please study them and learn their meaning. Proper interpretation of these symbols will allow you to operate the worklight better and safer.

SYMBOL	NAME	DESIGNATION/EXPLANATION
V	Volts	Voltage
A	Amperes	Current
min	Minutes	Time
~	Alternating Current	Type of current
—	Direct Current	Type or a characteristic of current
n_0	No Load Speed	Rotational speed, at no load
	Class II Construction	Double-insulated construction
.../min	Per Minute	Revolutions, strokes, surface speed, orbits etc., per minute
	Wet Conditions Alert	Do not expose to rain or use in damp locations.
	Read The Operator's Manual	To reduce the risk of injury, user must read and understand operator's manual before using this product.
	Safety Alert	Precautions that involve your safety.
	Hot Surfaces	To reduce the risk of injury or damage, avoid contact with any hot surface.

The following signal words and meanings are intended to explain the levels of risk associated with this product.

SYMBOL	SIGNAL	MEANING
	DANGER:	Indicates an imminently hazardous situation, which, if not avoided, will result in death or serious injury.
	WARNING:	Indicates a potentially hazardous situation, which, if not avoided, could result in death or serious injury.
	CAUTION	Indicates a potentially hazardous situation, which, if not avoided, may result in minor or moderate injury.
	CAUTION	(Without Safety Alert Symbol) Indicates a situation that may result in property damage.

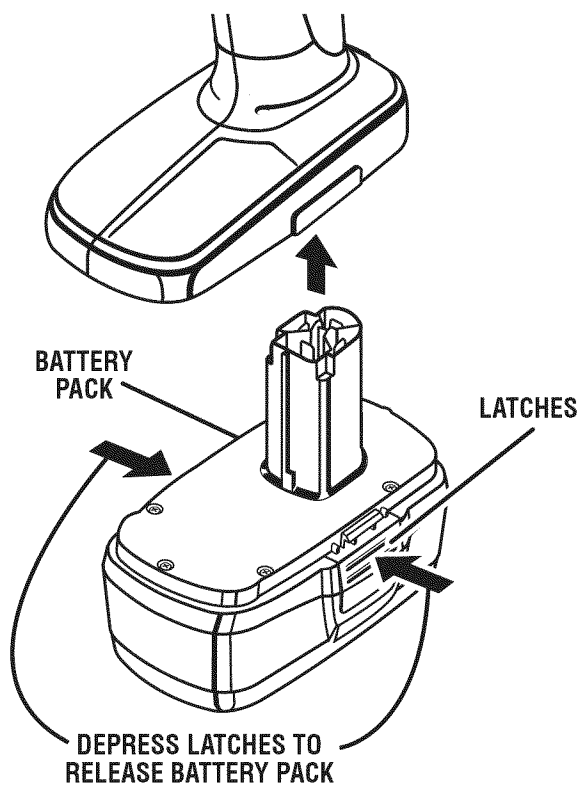
 **WARNING:** To avoid serious personal injury, do not attempt to use this product until you read thoroughly and understand completely the Operator's Manual. If you do not understand the warnings and instructions in the Operator's Manual, do not use this product. Call Customer Service for assistance.

SAVE THESE INSTRUCTIONS

OPERATION

WARNING: The safe use of this product requires an understanding of the information on the tool and in this operator's manual. Before use of this product, familiarize yourself with all operating features and safety rules.

CAUTION: When placing the battery pack in the tool, be sure raised rib on battery pack aligns with the groove in the tool and that the latches snap into place properly. Improper assembly of the battery pack can cause damage to internal components.



ALIGN RAISED RIBS WITH GROOVE INSIDE WORKLIGHT BASE;
SLIDE TOGETHER UNTIL LATCHES CLICK.

Fig. 1

BATTERY PROTECTION FEATURES

DieHard® 19.2 V lithium-ion battery packs are designed with features that protect the lithium-ion cells and maximize battery life.

If the tool stops during use, release the trigger to reset and resume operation. If the tool still does not work, the battery needs to be recharged.

ROTATE HEAD TO THE
DESIRED POSITION

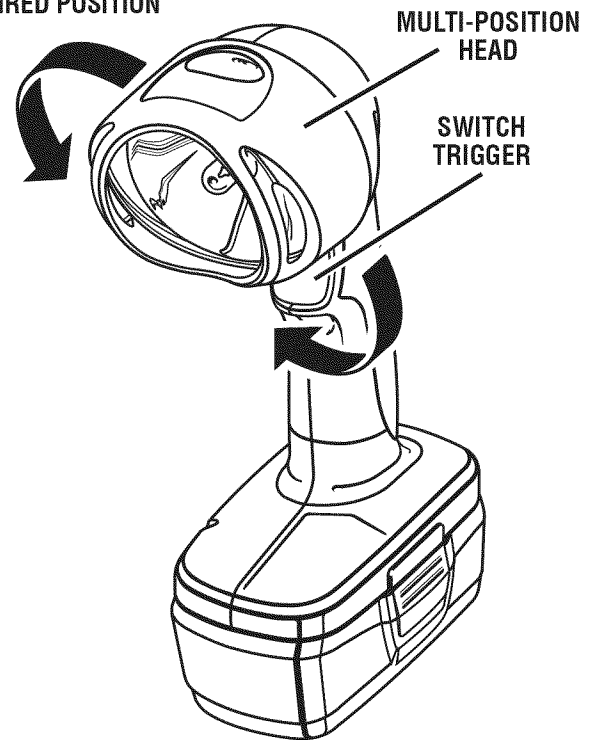


Fig. 2

DEPRESS BUTTON
PULL LENS COVER
FORWARD TO REMOVE

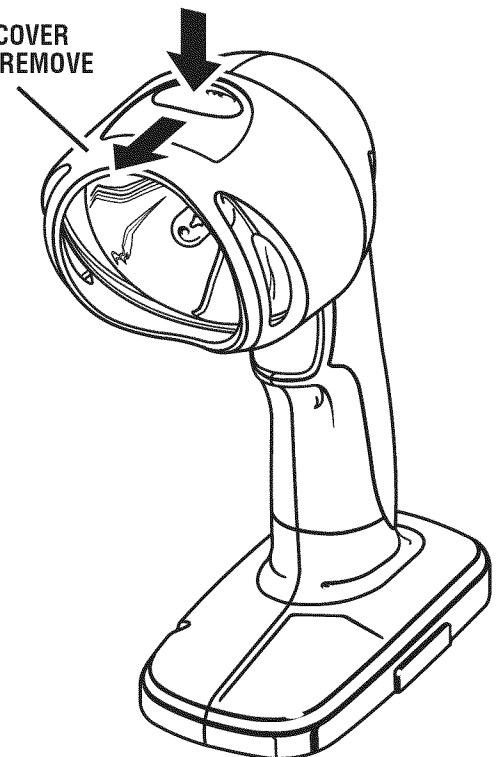


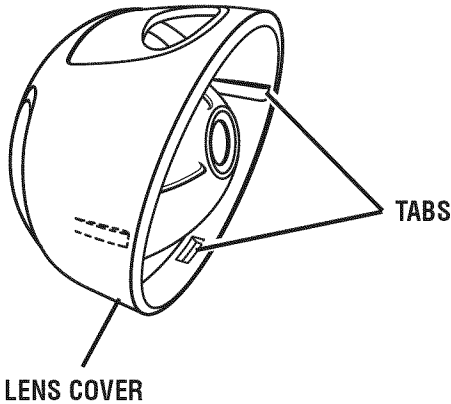
Fig. 3

MAINTENANCE

BULB REPLACEMENT

Replace the bulb with the same type rated
19.2 V, 0.6 Amp.

Always ask for replacement bulb number 7811502.



PULL COOLED BULB FROM SPRING; PUSH NEW BULB INTO SPRING. TO REPLACE LENS COVER, ALIGN TABS INSIDE LENS COVER WITH SLOTS ON HOUSING; SNAP INTO PLACE.

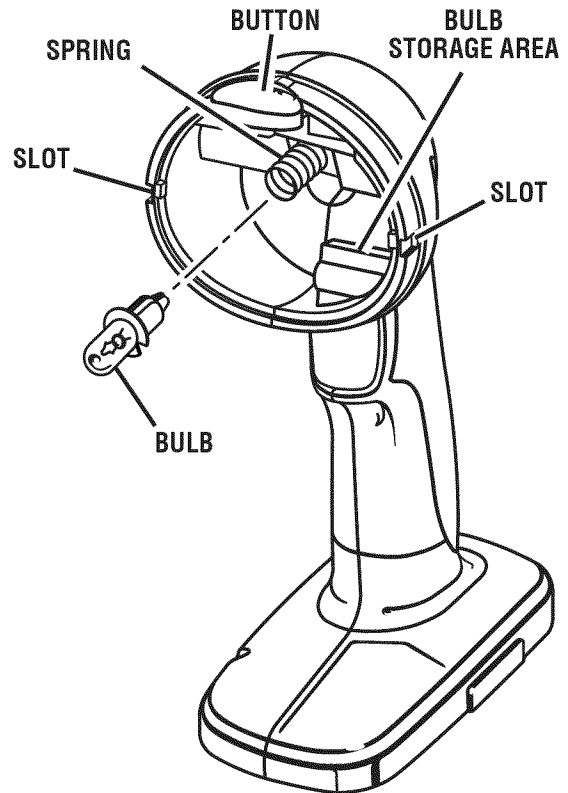


Fig. 4

BATTERIES

This product will accept DieHard® 19.2 V lithium-ion battery packs and Craftsman 19.2 V nickel-cadmium battery packs.

The batteries for this product have been designed to provide maximum trouble-free life. However, like all batteries, they will eventually wear out. Do not disassemble battery pack and attempt to replace the batteries. Handling of these batteries, especially when wearing rings and jewelry, could result in a serious burn.

To obtain the longest possible battery life, we suggest the following:

For lithium-ion batteries:

- Remove the battery pack from the charger once it is fully charged and ready for use.

For battery pack storage longer than 30 days:

- Store the battery pack where the temperature is below 80°F and away from moisture.
- Store battery packs in a 30%-50% charged condition.
- Every six months of storage, charge the pack as normal.

For nickel-cadmium batteries:

- Remove the battery pack from the charger once it is fully charged and ready for use.

For battery pack storage longer than 30 days:

- Store the battery pack where the temperature is below 80°F.
- Store battery packs in a "discharged" condition.

BATTERY PACK REMOVAL AND PREPARATION FOR RECYCLING



To preserve natural resources, please recycle or dispose of batteries properly.

This product uses nickel-cadmium and lithium-ion batteries. Local, state or federal laws may prohibit disposal of batteries in ordinary trash.

Consult your local waste authority for information regarding available recycling and/or disposal options.

⚠ WARNING: Upon removal, cover the battery pack's terminals with heavy-duty adhesive tape. Do not attempt to destroy or disassemble battery pack or remove any of its components. Lithium-ion and nickel-cadmium batteries must be recycled or disposed of properly. Also, never touch both terminals with metal objects and/or body parts as short circuit may result. Keep away from children. Failure to comply with these warnings could result in fire and/or serious injury.

Get it fixed, at your home or ours!

Your Home

For expert troubleshooting and home solutions advice:

manage  home

www.managemyhome.com

For repair – **in your home** – of **all** major brand appliances, lawn and garden equipment, or heating and cooling systems, **no matter who made it, no matter who sold it!**

For the replacement parts, accessories and owner's manuals that you need to do-it-yourself.

For Sears professional installation of home appliances and items like garage door openers and water heaters.

1-800-4-MY-HOME[®] (1-800-469-4663)

Call anytime, day or night (U.S.A. and Canada)

www.sears.com www.sears.ca

Our Home

For repair of carry-in items like vacuums, lawn equipment, and electronics, call anytime for the location of your nearest

Sears Parts & Repair Service Center

1-800-488-1222 (U.S.A.) **1-800-469-4663** (Canada)

www.sears.com

www.sears.ca

To purchase a protection agreement on a product serviced by Sears:

1-800-827-6655 (U.S.A.)

1-800-361-6665 (Canada)

Para pedir servicio de reparación a domicilio, y para ordenar piezas:

1-888-SU-HOGAR[®]

(1-888-784-6427)

Au Canada pour service en français:

1-800-LE-FOYER^{MC}

(1-800-533-6937)

www.sears.ca

