

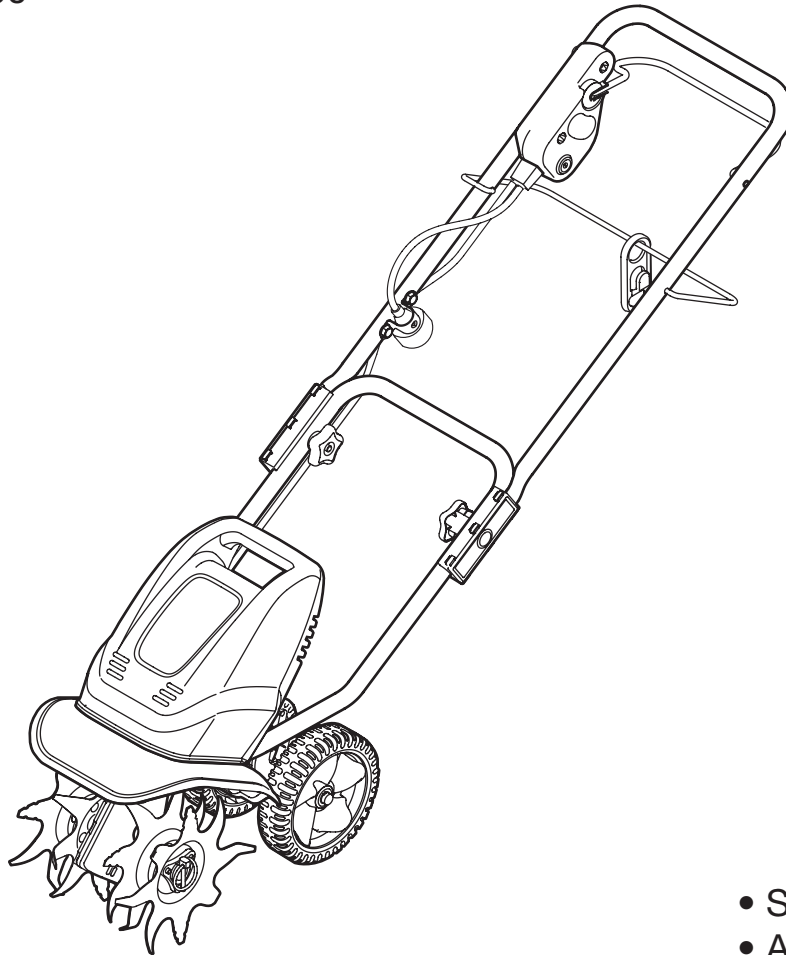
# Operator's Manual

# CRAFTSMAN<sup>®</sup>

Electric

**CULTIVATOR**

Model No. 316.292600



**CAUTION:** Before using this product, read this manual and follow all safety rules and operating instructions.

- SAFETY
- ASSEMBLY
- OPERATION
- MAINTENANCE
- PARTS LIST



Sears, Roebuck and Co., Hoffman Estates, IL 60179, U.S.A.  
Visit our website: [www.sears.com/craftsman](http://www.sears.com/craftsman)

FORM NO. 769-01643B  
(04/18/2005)

## TABLE OF CONTENTS

Warranty	Page 2	Troubleshooting	Page 13
Safety Rules	Pages 3-7	Specifications	Page 13
Assembly	Pages 8-9	Parts List	Pages 14-15
Starting/Stopping Instructions	Page 10	Repair Protection Agreement	Page 16
Operation	Page 11	Español	Page 17
Maintenance and Repair	Pages 12	Service Numbers	Back Cover

## WARRANTY STATEMENT

### **TWO YEAR FULL WARRANTY ON CRAFTSMAN ELECTRIC CULTIVATOR**

For two years from the date of purchase, when this Cultivator is used and maintained according to the operator's manual, Sears will repair any defect in material or workmanship free of charge.

This warranty excludes tines, which are expendable parts that can wear out from normal use in less than two years.

This warranty is void if this Cultivator is used for commercial or rental purposes.

### **WARRANTY SERVICE AVAILABLE BY RETURNING THIS CULTIVATOR TO THE NEAREST SEARS STORE OR SEARS PARTS & REPAIR CENTER IN THE UNITED STATES.**

This warranty gives you specific legal rights, and you may also have other rights which vary from state to state.

Sears, Roebuck and Co., Dept. 817WA, Hoffman Estates, IL 60179

# RULES FOR SAFE OPERATION

## READ ALL INSTRUCTIONS!

Read the Operator's Manual(s) and follow all warnings and safety instructions. Failure to do so can result in serious injury to the operator and/or bystanders.

The purpose of safety symbols is to attract your attention to possible dangers. The safety symbols, and their explanations, deserve your careful attention and understanding. The safety warnings do not by themselves eliminate any danger. The instructions or warnings they give are not substitutes for proper accident prevention measures.



## SAFETY ALERT:

Indicates danger, warning or caution. Attention is required in order to avoid serious personal injury. May be used in conjunction with other symbols or pictographs.

**NOTE:** Advises you of information or instructions vital to the operation or maintenance of the equipment.



**DANGER:** Failure to obey a safety warning will result in serious injury to yourself or to others. Always follow the safety precautions to reduce the risk of fire, electric shock and personal injury.



**WARNING:** Failure to obey a safety warning can result in injury to yourself and others. Always follow the safety precautions to reduce the risk of fire, electric shock and personal injury.



**CAUTION:** Failure to obey a safety warning may result in property damage or personal injury to yourself or to others. Always follow the safety precautions to reduce the risk of fire, electric shock and personal injury.

## • IMPORTANT SAFETY INSTRUCTIONS •

**WARNING:** When using electric gardening appliances, basic safety precautions should always be followed to reduce the risk of fire, electric shock, and personal injury, including the following:

### TRAINING



**WARNING:** When using the unit, you must follow the safety rules. Please read these instructions before operating the unit in order to ensure the safety of the operator and any bystanders. Please keep these instructions for later use.

- Read, understand, and follow all instructions on the machine and in the manual(s) before attempting to assemble and operate. Be thoroughly familiar with the controls and the proper use of the cultivator. Keep this manual in a safe place for future and regular reference and for ordering replacement parts.
- Be familiar with all controls and their proper operation. Know how to stop the machine and disengage tines quickly.
- Never allow children under 14 years old to operate this machine. Children 14 years old and over should read and understand the operation instructions and safety rules in this manual and should be trained and supervised by a parent.
- Never allow adults to operate this machine without proper instruction.
- Keep bystanders, helpers, pets, and children at least 50 feet from the machine while it is in operation. Stop machine if anyone enters the area.

### PREPARATION

- Thoroughly inspect the area where the equipment is to be used. Remove all stones, sticks, wire, and other foreign objects which could be tripped over and cause personal injury.



**WARNING:** To reduce risk of electric shock use only UL Listed extension cord suitable for outdoor use, such as Type SW-A, SOW-A, STW-A, STOW-A, SJW-A, SJOW-A, SJTW-A, or SJTOW-A.

- **Extension Cord**— Make sure your extension cord set is in good condition, is heavy enough to carry the current your cultivator will draw.

#### MINIMUM WIRE SIZE FOR EXTENSION CORDS FOR 120 VOLT APPLIANCES USING 6-10 AMPS

Cord Length (ft.)	25	50	100	150
Wire Size (AWG)	18	16	14	12

If in doubt, use the next heavier gage cord. The smaller the gage number, the heavier the cord. An undersized cord will cause a drop in line voltage resulting in loss of power and overheating. To reduce the likelihood of disconnection of the extension cord set from the cultivator, be sure to use the cord restraint provided.

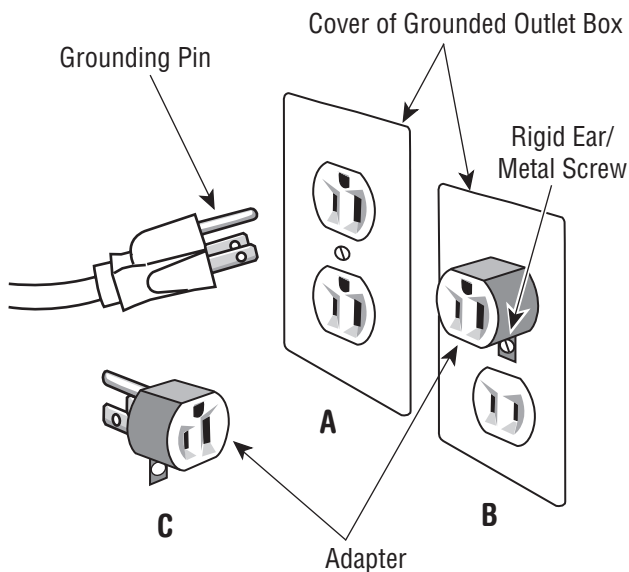
# RULES FOR SAFE OPERATION

- If extension cord is damaged in any manner while plugged in, disconnect extension cord from house receptacle.



**WARNING:** Do not change the plug on the cultivator in any way.

- Inspect cultivator cord periodically, and if damaged, have it repaired by an authorized service facility. Inspect extension cord periodically and replace if damaged.
- Dress properly. Wear sturdy, rough-soled work shoes and close-fitting slacks and shirts. Loose fitting clothes or jewelry can be caught in movable parts. Never operate this machine in bare feet or sandals. Use of rubber gloves is recommended when working outdoors. Wear protective hair covering to contain long hair.
- Wear safety glasses or goggles when operating this unit. Wear a face or dust mask if the operation is dusty. Such protective equipment is available from your authorized service dealer or retailer.
- Use the right tool. Do not use cultivator for any job except that for which it is intended.
- **Grounding Instructions**—The cultivator should be grounded while in use to reduce the risk of electric shock to the operator. The cultivator is equipped with a three-conductor cord and a three-prong grounding plug to fit the proper grounding receptacle. The green (or green and yellow) wire conductor in the cord is the grounding wire. Never connect the green (or green and yellow) wire to a live terminal. Your cultivator has a plug as illustrated in Fig. A. An adapter, illustrated in Fig. B to two-prong receptacles. The green-colored rigid ear, lug, or the like, must be connected to a permanent ground, such as a properly grounded outlet box.



- Use only three-wire outdoor extension cords that have three-prong grounding plugs and grounding receptacles that accept the cultivator's plug.
- Keep handle dry, clean, and free from oil and grease.
- **Fuses**—The cultivator should be operated on a 15 or 20 AMP circuit. If difficulty in starting is experienced with a standard 15 AMP fuse or circuit breaker or the cultivator's built-in overload protection switch frequently trips, contact your nearest authorized service location. Do not use a higher rated fuse without consulting your power company.
- Ground Fault Circuit Interrupter (GFCI) protection should be provided on the circuit(s) or outlet(s) to be used for the cultivator. Receptacles are available having built-in GFCI protection and may be used for this measure of safety.
- Never attempt to make any adjustments while motor is running.

## OPERATION

- Avoid dangerous environment. Don't use cultivator in damp or wet locations.
- Don't use the cultivator in the rain.
- Do not operate cultivator on excessively steep slopes.
- Avoid unintentional starting. Don't carry plugged-in cultivator with your hands/fingers on the motor starting controls.
- Do not abuse cord. Never pull or carry the cultivator by cord or yank the cord to disconnect it from the receptacle. Keep cord away from heat, oil, and sharp edges.
- If extension cord is damaged in any manner while plugged in, disconnect extension cord from house receptacle.
- Do not put hands or feet near rotating parts. Contact with the rotating parts can amputate fingers, hands, and feet.
- Do not operate machine while under the influence of alcohol or drugs.
- Only operate cultivator in daylight or good artificial light. Don't overreach. Keep proper footing and balance and a firm hold on the handle at all times.
- Stay alert. Watch what you are doing. Use common sense. Do not operate cultivator when you are tired.
- Don't force cultivator. It will do a better job and with less likelihood of a risk of injury if operated at the rate for which it was designed.
- Keep bystanders, helpers, pets, and children at least 50 feet from the machine while it is in operation. Stop machine if anyone enters the area.

# RULES FOR SAFE OPERATION

- Be careful when cultivating in hard ground. The tines may catch in the ground and propel the cultivator forward. If this occurs, let go of the handle and do not restrain the machine.
- Never operate the machine at high transport speeds on hard or slippery surfaces.
- Exercise caution to avoid slipping or falling.
- Look down, behind, and use care when pulling machine towards you.
- Start the motor according to the instructions found in this manual and keep feet well away from the tines at all times.
- After striking a foreign object, stop the motor and disconnect the power cord to prevent accidental starting. Thoroughly inspect the machine for any damage. Repair the damage before starting and operating.
- Stop the motor, disconnect the power cord to prevent accidental starting and wait until the tines come to a complete stop before unclogging the tines, making any adjustments, or inspections.
- Use caution when cultivating near fences, buildings and underground utilities. Rotating tines can cause property damage or personal injury.
- Do not overload machine capacity by attempting to cultivate soil too deep or too fast of a rate.
- If the machine should start making an unusual noise or vibration, stop the motor and disconnect the power cord to prevent accidental starting. Inspect machine thoroughly for damage. Repair any damage before starting motor and operating.
- Keep all shields, guards and safety devices in place and operating properly.
- To avoid an electrical shock hazard, never push or pull the cultivator over the electrical cord while operating.
- When picking up the cultivator, use the handle provided. Don't grasp the tines when picking up or holding the cultivator. Never pick up or carry machine while the motor is running.
- Use only attachments and accessories approved by the cultivator manufacturer. Failure to do so can result in personal injury and/or damage to your cultivator.
- If situations occur which are not covered in this manual, use care and good judgment.

## MAINTENANCE AND STORAGE

- Never tamper with safety devices. Check their proper operation regularly.
- Check bolts and screws for proper tightness at frequent intervals to keep the machine in safe working condition. Also, visually inspect machine for any damage.
- Before leaving the equipment, changing tine width, cleaning, repairing, making adjustments and the like, stop the motor, disconnect the power cord to prevent accidental starting and make certain the tines and all moving parts have stopped.
- Do not wash cultivator with a hose. Avoid getting water on motor and electrical connections
- Maintain or replace safety and instruction labels, as necessary.
- Follow this manual for safe loading, unloading, transporting, and storage of this machine.
- Always refer to the operator's manual for proper instructions on off-season storage. When not in use, cultivator should be stored indoors in a dry, and high or locked-up place out of the reach of children.
- Maintain cultivator with care. Follow instructions for lubrication and cleaning.
- Check for damaged parts. Before further use, a guard or other part that is damaged should be carefully checked to determine that it will operate properly and perform its intended function. Check alignment of moving parts, binding of moving parts, breakage of parts, mounting, and any other condition that may affect its operation. A guard or other part that is damaged should be properly repaired or replaced by an authorized service center.



**WARNING:** Restrict the use of this power machine to persons who read, understand and follow the warnings and instructions in this manual and on the machine.

**SAVE THESE INSTRUCTIONS**

# RULES FOR SAFE OPERATION

## SAFETY AND INTERNATIONAL SYMBOLS

This operator's manual describes safety and international symbols and pictographs that may appear on this product. Read the operator's manual for complete safety, assembly, operating and maintenance and repair information.

### SYMBOL

### MEANING



- **SAFETY ALERT SYMBOL**

Indicates danger, warning, or caution. May be used in conjunction with other symbols or pictographs.



- **READ OPERATOR'S MANUAL**

**WARNING:** Read the Operator's Manual(s) and follow all warnings and safety instructions. Failure to do so can result in serious injury to the operator and/or bystanders.

### SYMBOL

### MEANING



- **GARDEN CULTIVATORS—ROTATING TINES CAN CAUSE SEVERE INJURY**

**WARNING:** Stop the motor, unplug the extension cord and allow tines to stop before removing tines, or before cleaning or performing any maintenance. Keep hands and feet away from rotating tines.

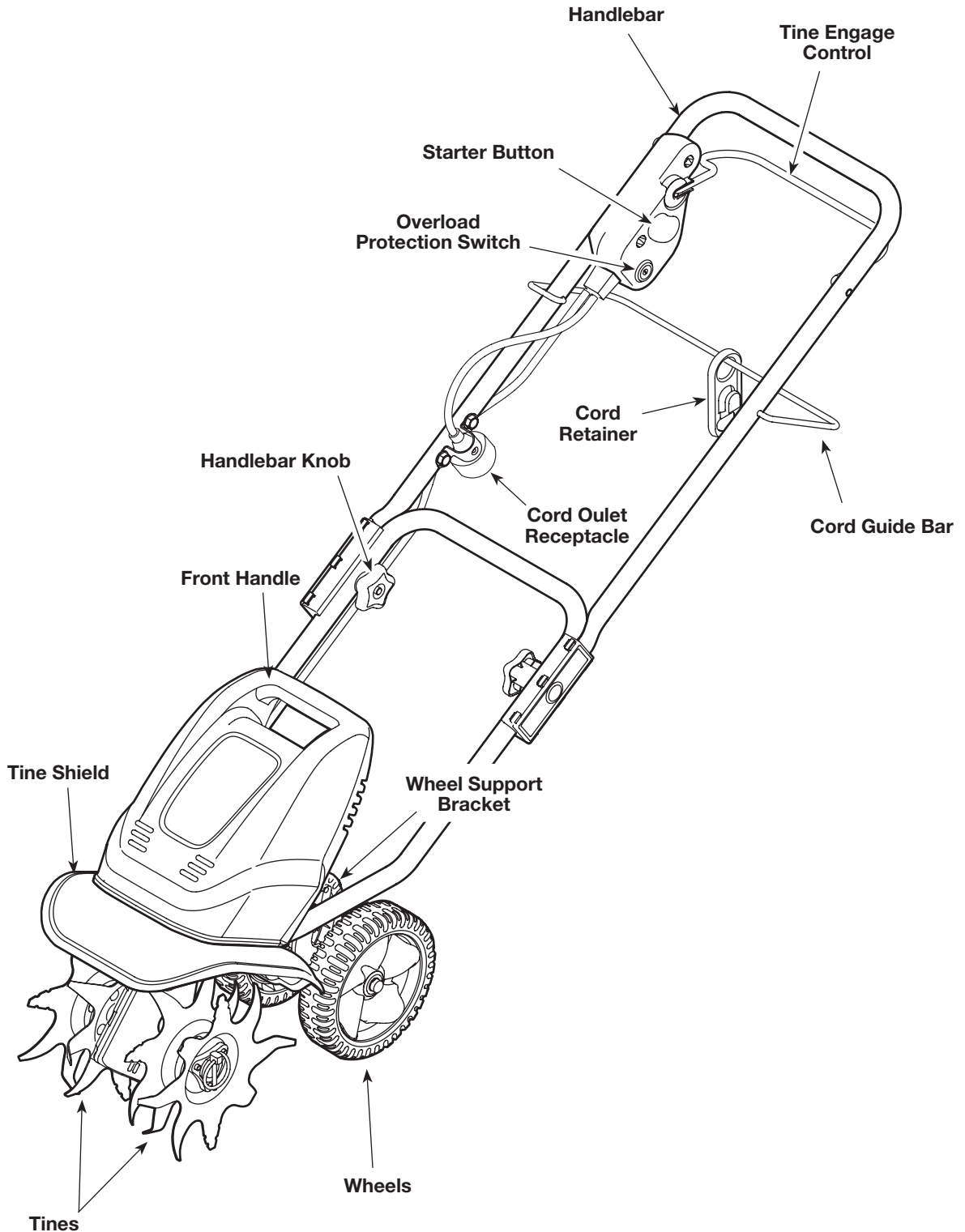
# RULES FOR SAFE OPERATION

## KNOW YOUR CULTIVATOR

### APPLICATIONS

As a cultivator

- Tilling soil in home vegetable gardens, flower beds and around shrubs





# ASSEMBLY INSTRUCTIONS

**NOTE:** Reference to right or left hand side of the cultivator is observed from the operating position.

## Removing Unit From Carton

1. Remove staples, break glue on top flaps, or cut tape at carton end and peel along top flap to open carton.
2. Remove all loose parts that may be included with unit.
3. Cut along corners, lay carton down flat, remove and set safely aside any packing material and/or loose cardboard.
4. Roll or slide unit out of carton and check carton thoroughly for loose parts.

## Loose Parts In Carton

- Operator's Manual

## Tools Needed for Assembly

- None



**WARNING:** To prevent serious personal injury, do not connect electric extension cord to unit until fully completing cultivator assembly

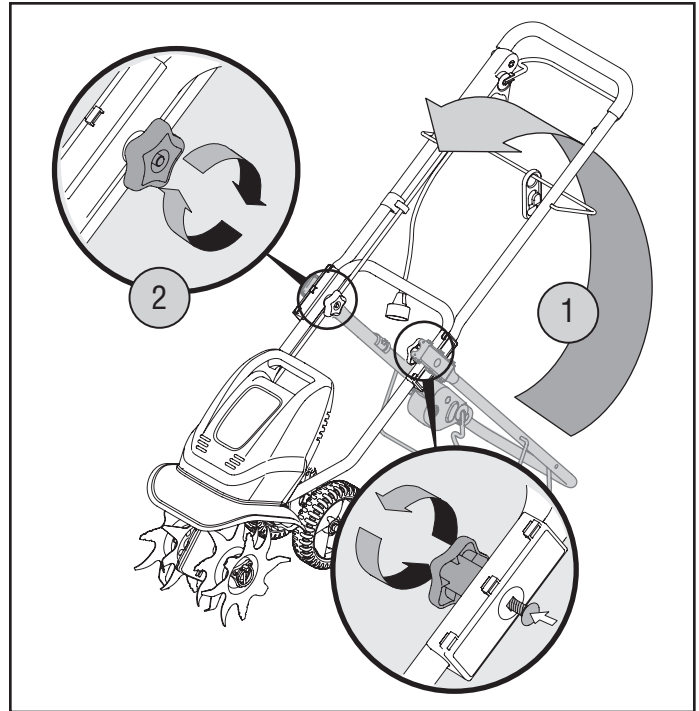


Fig. 1

## ASSEMBLING CULTIVATOR

### Handle Set-Up

1. Loosen each hand knob found on the inside of the upper handle (Fig. 1).
2. Gently lift and pivot the upper handle into the operating position (Fig. 2).
3. Secure the upper handle and lower handle by tightening the hand knobs (Fig. 2). Each carriage bolt must be seated properly into the square hole found in the plastic connector.

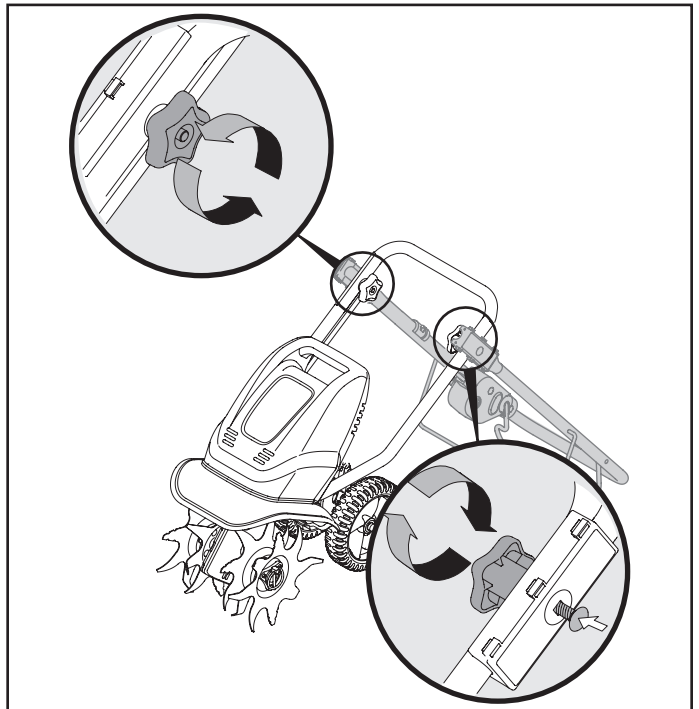


Fig. 2



# ASSEMBLY INSTRUCTIONS

## Using the Cord Retainer

An extension cord retainer is suspended on the cord guide bar found on the upper handle.

**NOTE:** Do not plug your extension cord into the power source receptacle (outlet) prior to routing it through the cord retainer and connecting the extension cord to the cultivator's cord outlet receptacle.

To properly route your extension cord through the cord retainer:

1. Approximately 14- to 16-inches from its end, crease your extension cord to form a tight loop.
2. Push the loop through the bottom hole in the cord retainer (Fig. 3).
3. Position the loop over the clip found on the cord retainer and pull down until the cord fits snugly into the clip (Fig. 4).

**NOTE:** Use a UL-approved extension cord. A 100-foot, 14-gauge cord is recommended. A 50-foot, 16-gauge cord is acceptable. Refer to the small chart found on Page 3.

The cord retainer and the guide bar work together to secure your extension cord and safely limit its movement.

The cord retainer (with the extension cord) will slide along the guide bar as the cultivator is moved to the left or to the right (Fig. 5).

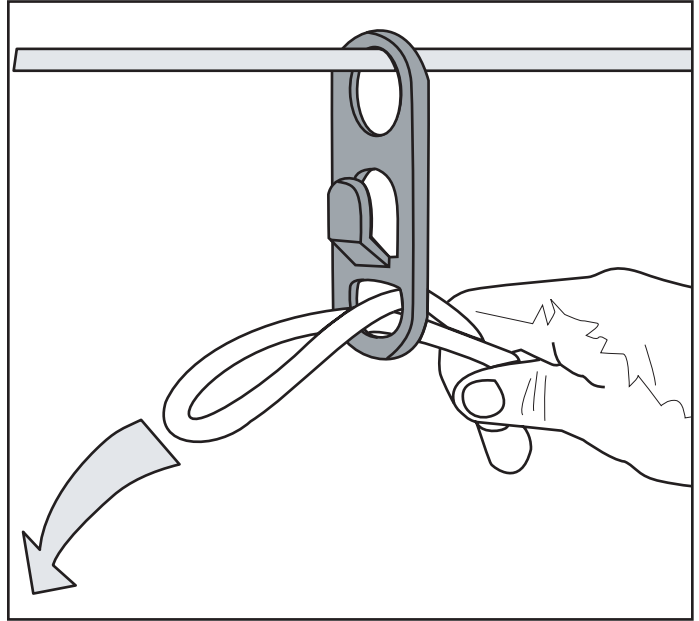


Fig. 3

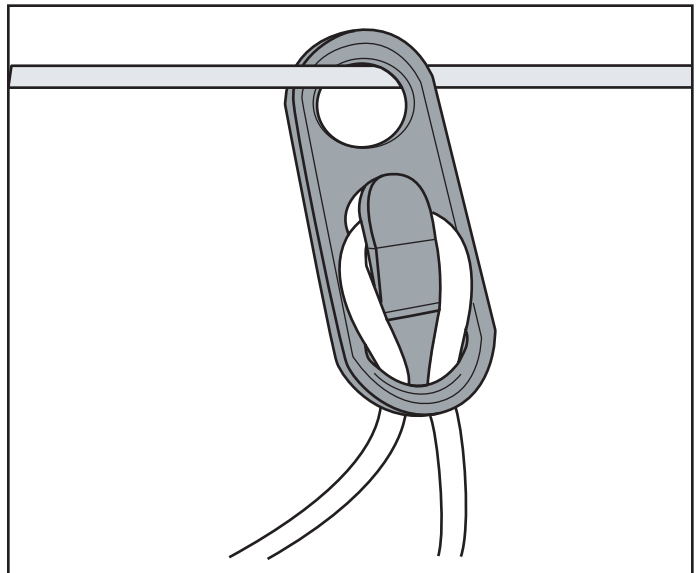


Fig. 4

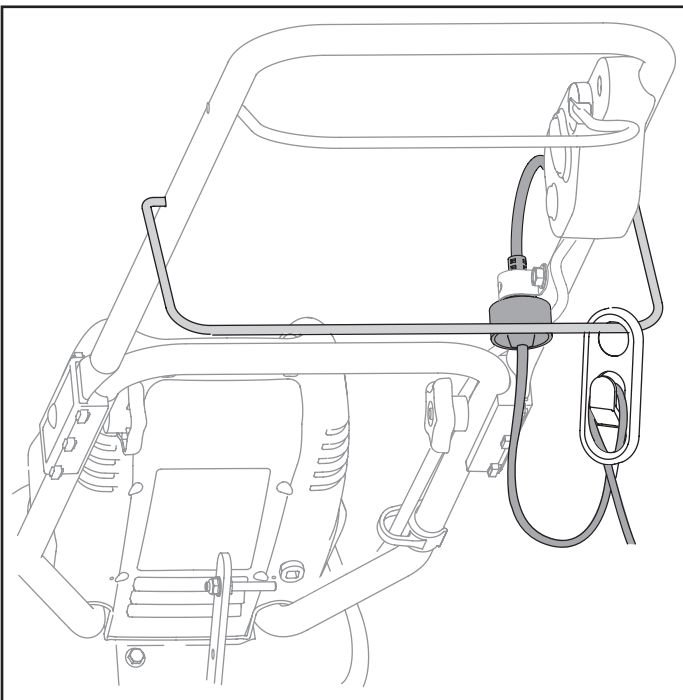


Fig. 5

# STARTING/STOPPING INSTRUCTIONS

## STARTING INSTRUCTIONS



### WARNING:

Avoid accidental starting. Make sure you are in the operating position behind the cultivator when using it. To avoid serious injury, the operator and unit should be in a stable position while starting.

### Connecting to an Electrical Power Source

**NOTE:** Connect your extension cord to the cultivator as instructed on the previous page prior to plugging your extension cord into an electrical outlet.

1. Plug your extension cord into any convenient (indoor or outdoor) 120-volt, 60-cycle AC grounded outlet or receptacle. Your cultivator will operate satisfactorily on a circuit with a 15 ampere breaker.

**NOTE:** To avoid tripping circuit breakers, select an outlet on a circuit that is not overloaded. Do NOT select an outlet that is on a circuit hosting appliances such as a refrigerator.

2. Stand behind the cultivator, in the operating position.
3. Pivot the cultivator slightly toward the rear, so that its weight is resting on the wheels and the tines are NOT in contact with the ground
4. Depress the (red) starter button and hold it in (Fig. 6).

**NOTE:** Starting the cultivator's motor also starts tilling action.

5. While holding the starter button in, pivot the bail upward against the handle (Fig. 6) to start the motor and engage the tines.

**NOTE:** The cultivator's motor will NOT start if you fail to hold the starter button in while pivoting the bail upward.

6. Release the (red) starter button and grasp the handle and bail together with **both** hands (Fig. 7).

## STOPPING INSTRUCTIONS

1. Release the bail.
2. The starter button will pop out, the bail will pivot downward and the motor will stop.

## OVERLOAD PROTECTION SWITCH

This cultivator is equipped with an overload protection switch to prevent overheating damage to the motor.

If the overload protection switch pops out:

1. Release the bail and do NOT re-start the cultivator for at least one minute, allowing for the electric motor time to cool.
2. Press the overload protection switch inward to reset (Fig. 6).

If the overload protection switch pops out shortly after resetting:

1. Release the bail and do NOT re-start the cultivator for at least 15 minutes to allow the electric motor extra time to cool.

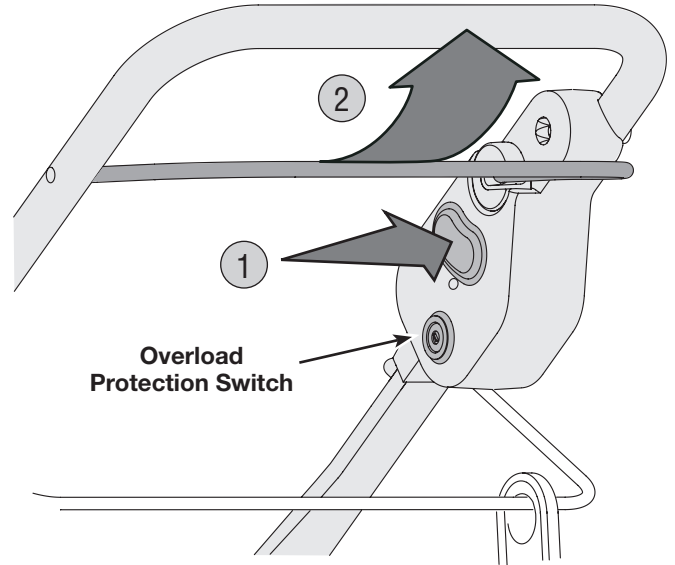


Fig. 6



Fig. 7

2. Press the overload protection switch inward to reset.
3. Restart unit.

**NOTE:** If the overload protection switch pops out repeatedly during operation or will not remain in when attempting to reset, contact your Sears Parts and Repair Center to arrange for repair.

# OPERATING INSTRUCTIONS

## ADJUSTING THE WHEEL SUPPORT BRACKET



### **WARNING:**

Avoid accidental starting. Stop motor and disconnect extension cord prior to adjusting the wheel support bracket.

To adjust the wheel support bracket proceed as follows:

1. Remove cotter pin from the clevis pin and slide pin out of tailpiece bracket (Fig. 8).

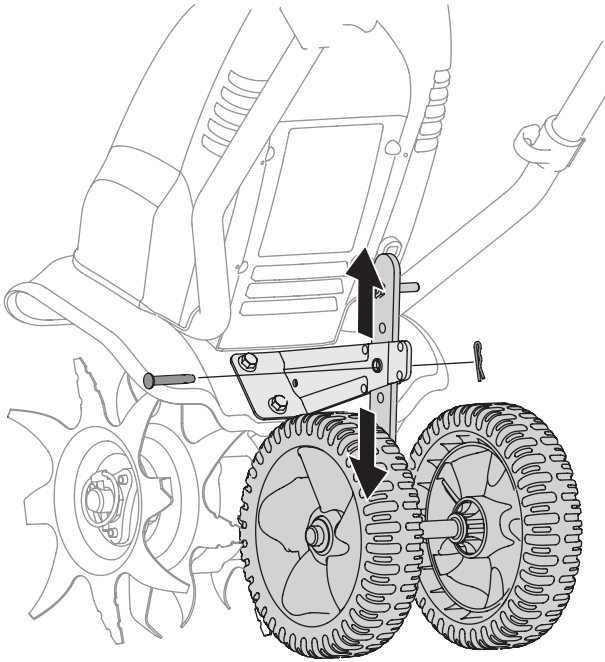


Fig. 8

2. Slide the wheel support bracket up or down in the tailpiece, aligning the holes to the desired height.
3. Place the clevis pin through the hole and secure with a cotter pin.

## USING YOUR CULTIVATOR



### **WARNING:**

Never pick up or carry the unit while the engine is running. Serious personal injury could result.

1. Move the cultivator to the work area prior to starting the motor. Transport the cultivator by pushing or pulling it along on its wheels. Or you may choose to carry the cultivator by its front handle.
2. Start the cultivator following all steps under STARTING INSTRUCTIONS on the previous page.
3. With **both** hands on the upper handle, slowly pivot the cultivator forward until the tines make contact with the soil.



### **WARNING:**

Avoid risk of injury. Keep the extension cord clear of the tilling path at all times. Do not allow the tines to contact the extension cord.

4. Once the tines are in the ground, cultivate at a moderate pace until you are familiar with the controls and the handling of the cultivator.

**NOTE:** Be aware of the extension cord's location at all times. Never allow the cultivator's tines to come into contact with the extension cord while operating.

5. To adjust the cultivating depth, adjust the wheel support bracket. See Adjusting The Wheel Support Bracket.

**NOTE:** For cultivation, a two to three inch depth is desirable. When laying out plant rows, be sure to allow enough width to permit cultivation between the rows.

# MAINTENANCE AND REPAIR INSTRUCTIONS



**WARNING:** To prevent serious injury, never perform maintenance or repairs with unit running. Always service and repair a cool unit.



**WARNING:** Avoid accidental starting. Stop motor and disconnect extension cord prior to performing any maintenance or repairs.

## Removing and Replacing Tines

Cultivator tines are subject to wear and should be replaced if any signs of damage are present.

Tines should also be removed and cleaned after each use.



**WARNING:** Cultivator tines are sharp. Always wear leather gloves to protect your hands when handling tines.

To replace the cultivator's tines:

1. Remove the click pin found at the end of each tine shaft.

**NOTE:** Each tine assembly is stamped either "A" or "B" (Fig. 9). Note each tine's location on the shaft for easier reassembly



**WARNING:** Do not wash cultivator with a hose. Avoid getting water on motor and electrical connections.

2. Carefully remove each tine assembly from the tine shafts.
3. Wipe each tine shaft clean with a damp cloth and apply a light coat of oil (i.e. 3-*N-One*) or silicon-based lubricant to each shaft. Do NOT use *WD-40*.
4. Rinse each tine assembly with water and thoroughly dry each it before placing on tine shaft.
5. Re-insert each click pin to secure the tine assemblies in place.

## Tips for Replacing Tines

- Each tine shaft holds one tine assembly stamped "A" and one tine assembly stamped "B".
- The bell sides of both tine assemblies (on each shaft) should face each other (Fig. 9).
- The hub of each tine assembly (Fig. 9) should face outward (away from the cultivator's gearbox).

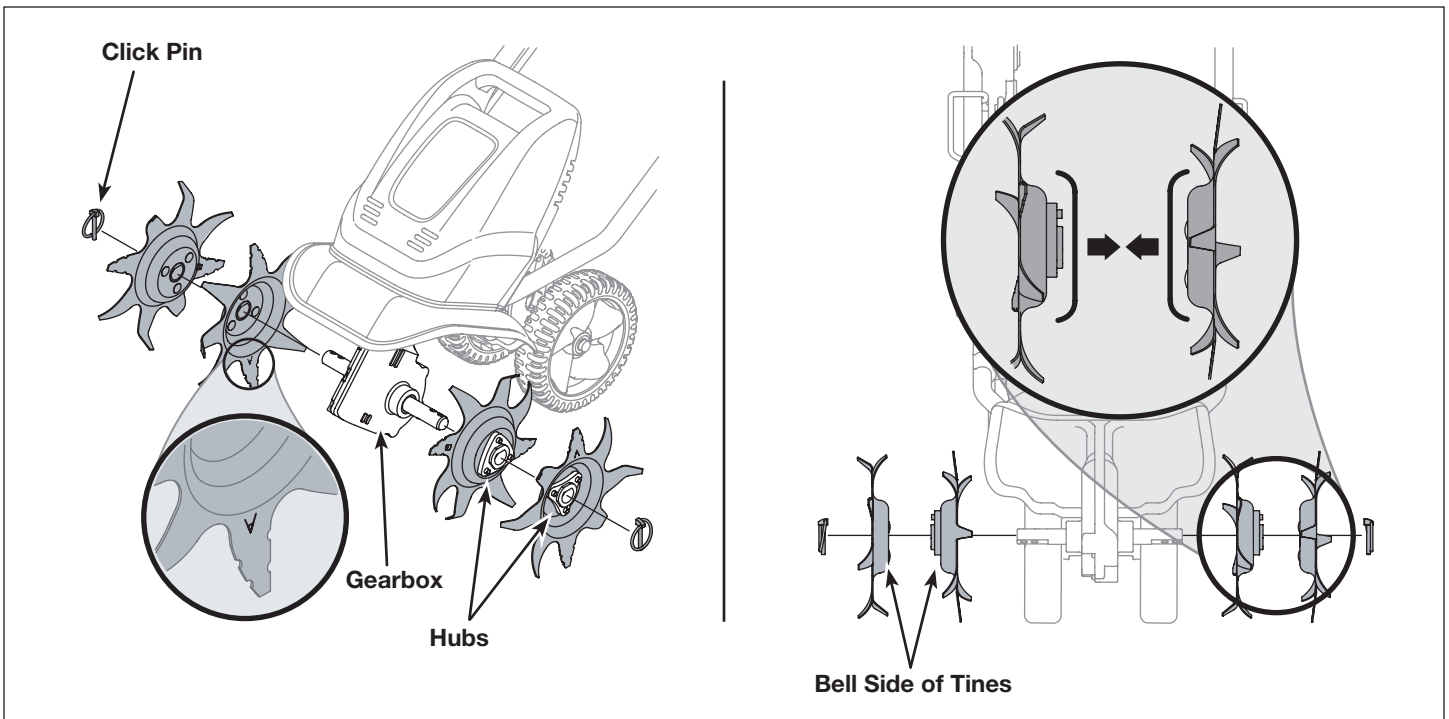


Fig. 9

# TROUBLESHOOTING

## MOTOR WILL NOT START

CAUSE	ACTION
1. Unit is unplugged	1. Make sure that extension cord is securely plugged into cultivator's cord outlet receptacle on one end and a 110V outlet on the opposite end.
2. Starter button or bail improperly used	2. Press starter button and <i>hold it in</i> while squeezing bail against the handle.
3. Overload protection switch has popped out	3. Depress overload protection switch. Follow starting instructions.

**NOTE:** For repairs beyond the minor adjustments listed above, contact your nearest Sears Parts & Repair center (1-800-4-MY-HOME<sup>®</sup>) or other qualified service dealer for an adjustment.

# SPECIFICATIONS

## MOTOR

Engine Type .....	AC 120 Volts Electric
Operating RPM.....	up to 8,000 rpm
Ignition Switch.	Bail Lock Safety Button
Amperage .....	6.5 Amps
Overload Protection .....	120 V 5 amp Breaker

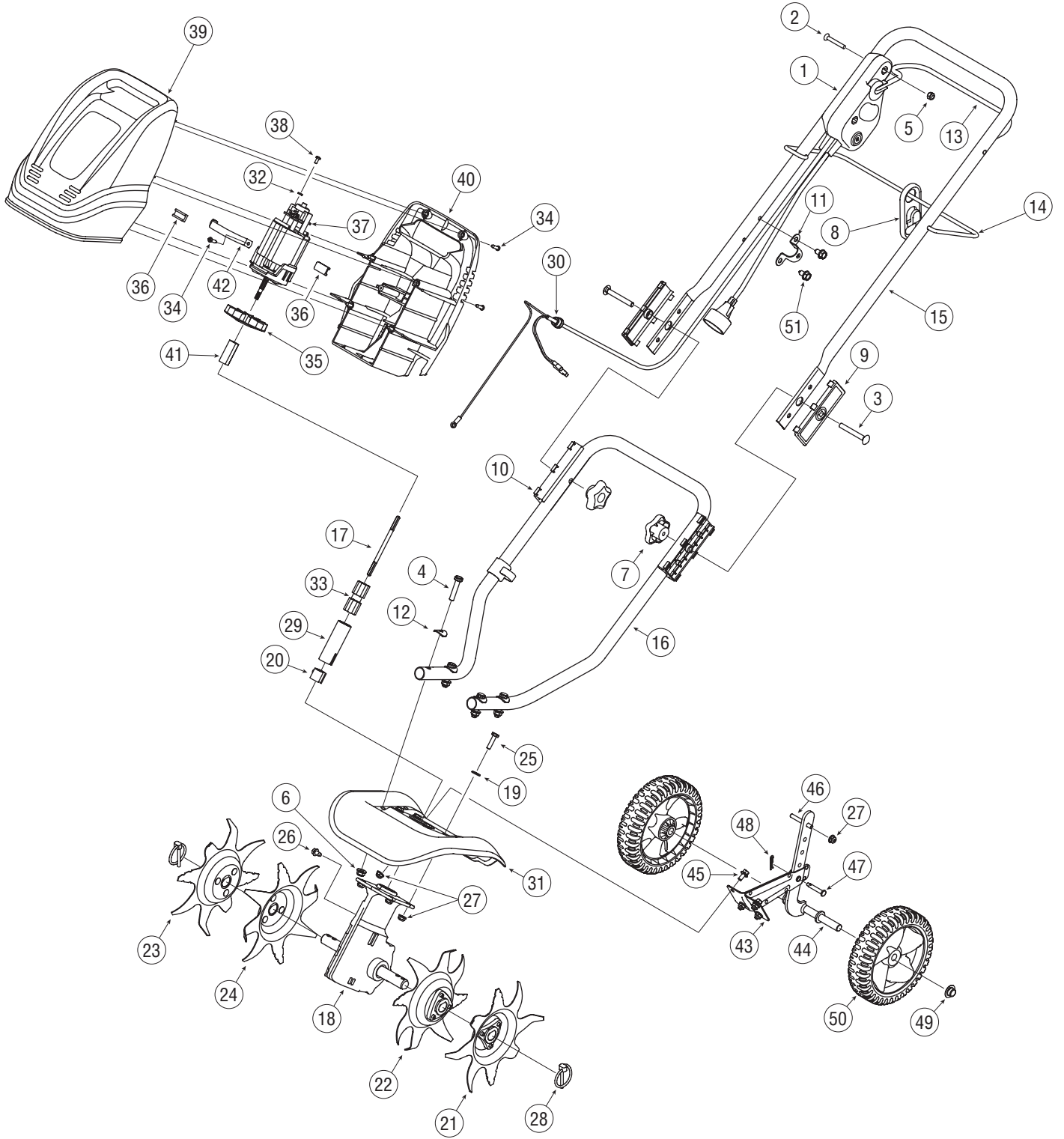
## CULTIVATOR\*

Drive Shaft Tube .....	Steel Tube
Handle .....	Steel Tube
Cultivating Path Width (Maximum) .....	9 inches (22.86 cm)
Cultivating Depth (Maximum) .....	6 inches (15.24 cm)
Approximate Weight ....	27 lb. (12.25 kg)

\*All specifications are based on the latest product information available at the time of printing. We reserve the right to make changes at any time without notice.

# PARTS LIST

## MODEL 316-29260 ELECTRIC CULTIVATOR



# PARTS LIST

## MODEL 316-29260 ELECTRIC CULTIVATOR

Item	Part No.	Description
1	625-04027	Switch Assembly
2	710-04213	Screw, T27, 1/4-20, 1.75"
3	710-0572	Bolt, Carriage, 5/16-18, 2.50, Gr1
4	710-0805	Hex Screw, 5/16-18, 1.50, Gr5
5	912-0324	Nut, Hex Lock, 1/4-20, Gr8, Nylon
6	712-04063	Nut, Flange Lock, 5/16-18, GrF, Nylon
7	720-04052	Knob, Nut, 5/16-18
8	726-0368-0637	Cord Retainer
9	731-05178	Insulator, Upper Handle
10	731-05186	Insulator, Lower Handle
11	786-04295	Cord Mount Bracket
12	736-0451	Washer, Saddle, 320 x .93 x .060
13	747-04375	Control Bail
14	747-04376A	Guide Rod
15	749-04244	Handle, Upper
16	749-1295A	Handle, Lower
17	10055-20	Flex Shaft, 4.5"
18	753-04075	Gearbox
19	791-182678	Washer, Flat
20	753-04078	Sleeve
21	753-04071	Tine Assembly, Outer
22	753-04072	Tine Assembly, Inner
23	753-04073	Tine Assembly, Outer
24	753-04074	Tine Assembly, Inner
25	710-0597	Hex Screw, 1/4-20, 1.00, Gr5
26	4543	Bolt, Hex Washer 1/4-20, .50
27	712-04064	Nut, Flange Lock, 1/4-20, GrF, Nylon
28	753-04070	Lynch Pin, .1875
29	750-04441	Tube, .922 x 1.0 x 3.0
30	753-04428	Bushing, Cord
31	753-04067	Tine Shield
32	1625	Washer, Lock, #10
33	1A2679	Tube w/ Spacers
34	1948	Screw, .750
35	50004	Fan
36	50545	Motor Pad, 1"
37	924-04008	Motor Assembly, 120 V
38	791-145569	Screw, #8-32 x .312
39	731-05207	Motor Cover, Front
40	731-05208	Motor Cover, Rear
41	748-04085	Motor Hub
42	786-04268	Motor Strap
43	753-04058	Bracket Assembly, Tail Piece
44	753-04063	Support Bracket Assembly, Wheel
45	710-04468	Hex Flange Screw, 1/4-20, .50, Gr5
46	911-0993	Belt Guard Pin 1/4 Dia. x 1.43
47	711-1017	Clevis Pin, .250 x 1.53
48	914-0104	Cotter Pin, .072 Dia. x 1.13
49	726-0299	Push Cap, 1/2"
50	734-1988	Wheel, 7 x 1.8 Spoke Bar Gray
51	710-0604A	Screw, 5/16-18, 0.625"



## Repair Protection Agreements

*Congratulations on making a smart purchase.* Your new Craftsman® product is designed and manufactured for years of dependable operation. But like all products, it may require repair from time to time. That's when having a Repair Protection Agreement can save you money and aggravation.

*Purchase a Repair Protection Agreement now and protect yourself from unexpected hassle and expense.*

Here's what's included in the Agreement:

- ☑ **Expert service** by our 12,000 professional repair specialists
- ☑ **Unlimited service and no charge** for parts and labor on all covered repairs
- ☑ **Product replacement** if your covered product can't be fixed
- ☑ **Discount of 10%** from regular price of service and service-related parts not covered by the agreement; also, 10% off regular price of preventive maintenance check
- ☑ **Fast help by phone** – phone support from a Sears technician on products requiring in-home repair, plus convenient repair scheduling

Once you purchase the Agreement, a simple phone call is all that it takes for you to schedule service. You can call anytime day or night, or schedule a service appointment online.

Sears has over 12,000 professional repair specialists, who have access to over 4.5 million quality parts and accessories. That's the kind of professionalism you can count on to help prolong the life of your new purchase for years to come. Purchase your Repair Protection Agreement today!

**Some limitations and exclusions apply.**  
**For prices and additional information call 1-800-827-6655.**

## Sears Installation Service

*For Sears professional installation* of home appliances, garage door openers, water heaters, and other major home items, in the U.S.A. call **1-800-4-MY-HOME®**

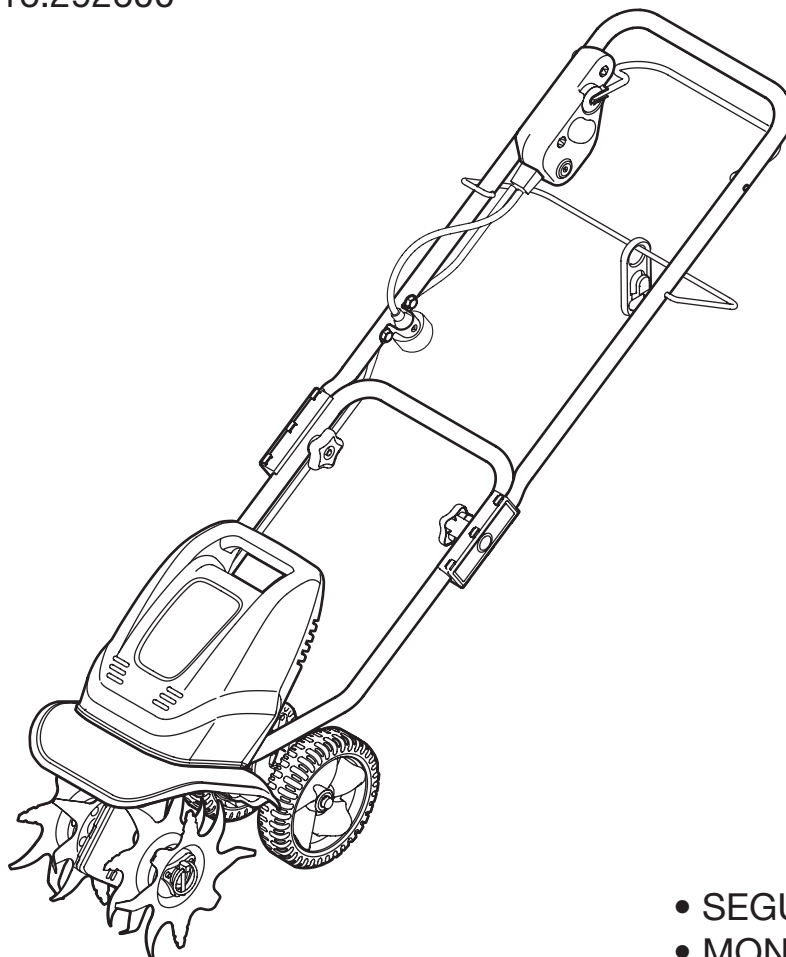
# Manual del operador

# CRAFTSMAN®

## CULTIVADORA

## eléctrica

Número de modelo 316.292600



**PRECAUCIÓN:** Antes de utilizar este producto, lea este manual y siga todas las reglas de seguridad y las instrucciones de funcionamiento.

- SEGURIDAD
- MONTAJE
- FUNCIONAMIENTO
- MANTENIMIENTO
- LISTADO DE PIEZAS



Sears, Roebuck and Co., Hoffman Estates, IL 60179, U.S.A.  
Visite nuestro sitio web: [www.sears.com/craftsman](http://www.sears.com/craftsman)

# ÍNDICE

Garantía	Página 2	Solución de problemas	Página 13
Reglas de seguridad	Páginas 3-7	Especificaciones	Página 13
Montaje	Páginas 8-9	Lista de piezas	Páginas 14-15
Instrucciones de arranque/detención	Página 10	Acuerdo de protección para reparaciones	Página 16
Funcionamiento	Página 11	Número de servicio	Cubierta posterior
Mantenimiento y reparaciones	Página 12		

## DECLARACIÓN DE GARANTÍA

### **DOS AÑOS DE GARANTÍA COMPLETA EN LA CULTIVADORA ELÉCTRICA CRAFTSMAN**

Durante dos años a partir de la fecha de compra, siempre que esta cultivadora se utilice y mantenga de acuerdo a las instrucciones del manual del operador, Sears reparará sin cargo cualquier defecto en materiales o mano de obra.

Esta garantía excluye los dientes, que son piezas consumibles que se pueden desgastar debido a un uso normal en menos de dos años.

Esta garantía queda anulada si la cultivadora se utiliza para fines comerciales o de alquiler.

**EL SERVICIO DE GARANTÍA ESTÁ DISPONIBLE PARA LOS USUARIOS QUE LLEVEN ESTA CULTIVADORA AL CENTRO DE PARTES Y REPARACIÓN SEARS MÁS CERCANO DENTRO DE LOS ESTADOS UNIDOS.**

Esta garantía le otorga derechos legales específicos, pero usted podría gozar de otros derechos en razón de su lugar de residencia.

Sears, Roebuck and Co., Dept. 817WA, Hoffman Estates, IL 60179

# REGLAS PARA FUNCIONAMIENTO SEGURO

## ¡LEA TODAS LAS INSTRUCCIONES!

Lea todos los manuales del operador y cumpla todas las advertencias e instrucciones de seguridad. Si no lo hace, se pueden provocar lesiones personales al operador o a los transeúntes.

El objetivo de los símbolos de seguridad es dirigir su atención hacia posibles peligros. Los símbolos de seguridad, así como sus explicaciones, necesitan su atención y comprensión completas. Las advertencias de seguridad no eliminan por sí mismas ningún peligro. Las instrucciones o advertencias que contienen no reemplazan a las medidas adecuadas de prevención de accidentes.



### ALERTA DE SEGURIDAD:

Indica peligro, advertencia o precaución. Se requiere atención para evitar lesiones personales graves. Se puede utilizar junto con otros símbolos o imágenes.

**NOTA:** Proporciona información o instrucciones de vital importancia para el funcionamiento o el mantenimiento del equipo.



**PELIGRO:** Si no se cumple una advertencia de seguridad usted mismo u otras personas sufrirán lesiones graves. Respete siempre las precauciones de seguridad para reducir el riesgo de incendios, descargas eléctricas y lesiones personales.



**ADVERTENCIA:** Si no se cumple una advertencia de seguridad usted mismo u otras personas pueden sufrir lesiones. Respete siempre las precauciones de seguridad para reducir el riesgo de incendios, descargas eléctricas y lesiones personales.



**PRECAUCIÓN:** Si no se cumple una advertencia de seguridad usted mismo u otras personas pueden sufrir lesiones. Respete siempre las precauciones de seguridad para reducir el riesgo de incendios, descargas eléctricas y lesiones personales.

## • INSTRUCCIONES DE SEGURIDAD IMPORTANTES •

**ADVERTENCIA:** Al utilizar dispositivos de jardinería eléctricos, deben cumplirse siempre precauciones de seguridad básicas para reducir el riesgo de incendios, descargas eléctricas y lesiones personales, incluyendo las siguientes:

### CAPACITACIÓN



**ADVERTENCIA:** Al utilizar la unidad, deben cumplirse las reglas de seguridad. Por favor, lea estas instrucciones antes de utilizar la unidad para garantizar la seguridad del operador y de cualquier transeúnte. Por favor, guarde estas instrucciones para su uso posterior.

- Lea, entienda y cumpla todas las instrucciones incluidas en la máquina y en los manuales antes de montarla y utilizarla. Familiarícese completamente con los controles y con el uso apropiado de la cultivadora. Guarde este manual en un lugar seguro para consultas futuras y regulares, así como para solicitar repuestos.
- Familiarícese con todos los controles y su funcionamiento apropiado. Sepa cómo detener la máquina y cómo desengranar los dientes rápidamente.
- No permita nunca que los niños menores de 14 años utilicen esta máquina. Los niños de 14 años y más mayores deben leer y comprender las instrucciones de funcionamiento y las reglas de seguridad contenidas en este manual, y también deben ser capacitados y estar supervisados por uno de los padres.
- Nunca permita que los adultos utilicen esta máquina sin recibir antes la instrucción apropiada.
- Mantenga a los transeúntes, ayudantes, mascotas y niños al menos a 50 pies (15,2 m) de la máquina mientras está funcionando. Detenga la máquina si alguien entra en la zona.

### PREPARACIÓN

- Inspeccione minuciosamente el área donde utilizará el equipo. Quite las piedras, palos, alambres y otros objetos extraños con los que pueda tropezar y provocar lesiones personales.



**ADVERTENCIA:** Para reducir el riesgo de descargas eléctricas utilice únicamente prolongador clasificado por UL adecuado para uso en exteriores, como por ejemplo tipo SW-A, SOW-A, STW-A, STOW-A, SJW-A, SJOW-A, SJTW-A, o SJTOW-A.

- **Prolongador**—Asegúrese de que su prolongador instalado está en buen estado y tiene suficiente resistencia para transportar la corriente que consumirá su cultivadora.

### TAMAÑO DE CABLE MÍNIMO DE PROLONGADOR PARA DISPOSITIVOS DE 120 V QUE UTILIZAN 6-10 AMP

Longitud del cable (pies)	25	50	100	150
Tamaño del (AWG)	18	16	14	12

Si tiene dudas, utilice el cable con el siguiente calibre más resistente. Cuanto menor es el número de calibre, más resistente es el cable. Un cable de tamaño insuficiente provocará una caída en el voltaje de la línea que causará pérdida de alimentación y sobrecalentamiento. Para reducir la posibilidad de desconexión del prolongador instalado desde la cultivadora, asegúrese de utilizar el limitador de cable suministrado.

# REGLAS PARA FUNCIONAMIENTO SEGURO

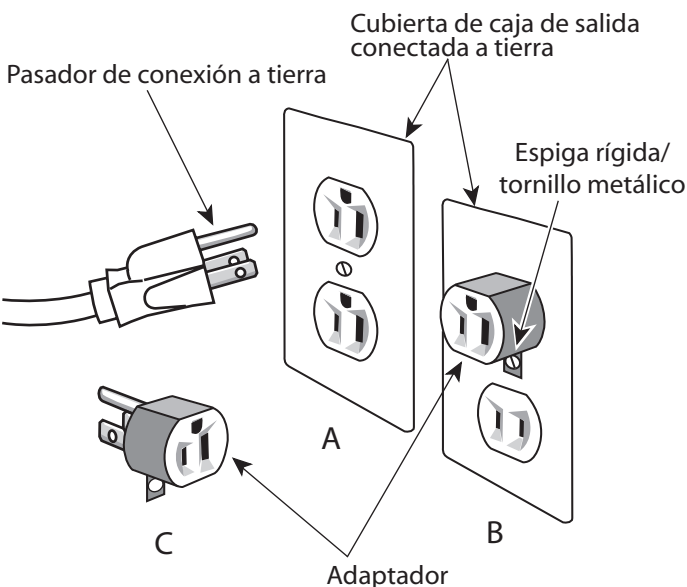
- Si el prolongador se daña de cualquier forma mientras está enchufado, desconecte dicho prolongador del receptáculo de su hogar.



## ADVERTENCIA:

No cambie el enchufe de la cultivadora de ningún modo.

- Inspeccione el cable de la cultivadora de una manera periódica y, en caso de que presente algún tipo de daño, llévalo a un centro de servicio técnico autorizado para su reparación. Inspeccione el prolongador de manera periódica y reemplácelo si está dañado.
- Utilice vestimenta apropiada. Utilice zapatos de trabajo resistentes, de suela fuerte, así como pantalones y camisas ajustados. Las prendas sueltas o las alhajas pueden quedar atrapadas en las piezas móviles. Nunca utilice la máquina descalzo o con sandalias. Se recomienda usar guantes de goma para trabajos en exteriores. Utilice un accesorio de protección para el cabello con el fin de sujetar el cabello largo.
- Use lentes o anteojos de seguridad al utilizar la unidad. Utilice una mascarilla antipolvo si la máquina levanta polvo durante su funcionamiento. Dicho equipo de protección está disponible a través de su distribuidor o vendedor de servicio técnico autorizado.
- Utilice la herramienta apropiada. No utilice la cultivadora para ningún trabajo para el cual no está diseñada.
- **Instrucciones de conexión a tierra**—La cultivadora debe conectarse a tierra para reducir el riesgo de que el operador sufra descargas eléctricas. La cultivadora cuenta con un cable de tres conductores y un enchufe de conexión a tierra de tres espigas para adaptarse al receptáculo de conexión a tierra adecuado. El conductor de cable verde (o verde y amarillo) del cable es el cable de conexión a tierra. No conecte nunca el cable verde (o verde y amarillo) a un terminal con tensión. Su cultivadora cuenta con un enchufe como el que se muestra en la Fig. A. Se encuentra disponible un adaptador, que aparece en la Fig. C, para conectar los enchufes mostrados en la Fig. B a receptáculos de dos espigas. La espiga, lengüeta o similar rígidas de color verde, se deben conectar a una conexión a tierra permanente, como por ejemplo una caja de salida con la adecuada conexión a tierra.



- Utilice únicamente prolongadores para exteriores de tres cables que cuenten con enchufes de conexión a tierra de tres espigas y receptáculos de conexión a tierra que acepten el enchufe de la cultivadora.
- Mantenga la manija seca, limpia, y sin aceite ni grasa.
- **Fusibles**—La cultivadora se debe utilizar en un circuito de 15 ó 20 AMP. Si se experimentan dificultades al arrancar con un fusible o disyuntor de 15 AMP estándar, o si el interruptor de protección contra sobrecarga incorporado se dispara con frecuencia, póngase en contacto con su centro de servicio técnico autorizado más cercano. No utilice un fusible con mayor potencia nominal sin consultar antes con su compañía eléctrica.
- Es necesario proveer protección de Interruptor de Circuito de Fallas de Tierra (GFCI) en los circuitos o salidas que se usarán para la cultivadora. Existen receptáculos disponibles que cuentan con protección GFCI incorporada y se pueden utilizar para esta medida de seguridad.
- No intente nunca realizar ningún ajuste mientras el motor está en funcionamiento.

## FUNCIONAMIENTO

- Evite los entornos peligrosos. No utilice la cultivadora en lugares húmedos o mojados.
- No utilice la cultivadora si llueve.
- No utilice la cultivadora en pendientes excesivamente pronunciadas.
- Evite arranques no intencionados. No arrastre la cultivadora enchufada con sus manos/dedos situados en los controles de arranque del motor.
- No dañe el cable. Nunca tire o arrastre de la cultivadora por el cable ni tire del mismo para desconectarlo del receptáculo. Mantenga el cable protegido de calor, aceite y bordes afilados.
- Si el prolongador se daña de cualquier forma mientras está enchufado, desconecte dicho prolongador del receptáculo de su hogar.
- No coloque las manos ni los pies cerca de las piezas rotativas. El contacto con piezas rotativas puede amputar dedos, manos y pies.
- No utilice la máquina bajo la influencia del alcohol o las drogas.
- Utilice la cultivadora únicamente con luz de día o con una buena luz artificial. No se extienda demasiado. Mantenga un buen equilibrio y sujete la manija firmemente en todo momento.
- Manténgase alerta. Observe lo que está haciendo. Utilice el sentido común. No utilice la cultivadora si está cansado.
- No fuerce la cultivadora. Si se usa a la velocidad para la cual fue diseñada, realizará un trabajo mejor con menos posibilidades de lesiones.
- Mantenga a los transeúntes, ayudantes, mascotas y niños al menos a 50 pies (15,2 m) de la máquina mientras está funcionando. Detenga la máquina si alguien entra en la zona.

# REGLAS PARA FUNCIONAMIENTO SEGURO

- Sea cuidadoso cuando cultive en terreno sólido. Los dientes pueden clavarse en la tierra y propulsar la cultivadora hacia delante. Si esto ocurre, suelte la manija y no retenga la máquina.

- Nunca utilice la máquina a altas velocidades de desplazamiento en superficies duras o resbaladizas.

- Tenga cuidado para evitar resbalar o caerse.

- Mire hacia abajo y hacia atrás, y tenga cuidado cuando tire de la máquina hacia usted.

- Arranque el motor de acuerdo con las instrucciones de este manual y mantenga los pies alejados de los dientes en todo momento.

- Si golpea un objeto extraño, detenga el motor y desconecte el cable de alimentación para evitar un arranque accidental. Inspeccione minuciosamente para ver si la máquina está dañada. Repare el daño antes de arrancar y utilizar la máquina.

- Detenga el motor, desconecte el cable de alimentación para evitar un arranque accidental y espere hasta que los dientes se detengan por completo antes de destrabarlos, hacer algún ajuste o inspeccionar.

- Tenga cuidado cuando cultive cerca de vallas, edificios y servicios subterráneos. Los dientes giratorios pueden causar daños materiales o lesiones personales.

No sobrecargue la capacidad de la máquina intentando cultivar el piso a un nivel demasiado profundo o a un ritmo demasiado rápido.

Si la máquina arranca haciendo un sonido o una vibración extraños, detenga el motor y desconecte el cable de alimentación para evitar un arranque accidental. Inspeccione la máquina minuciosamente para ver si está dañada. Repare todos los daños antes de arrancar el motor y utilizar la máquina.

- Mantenga todas las pantallas, protectores y dispositivos de seguridad en su lugar y en correcto funcionamiento.

- Para evitar riesgos de descargas eléctricas, nunca empuje o tire de la cultivadora mediante el cable eléctrico mientras está en uso.

- Cuando levante la cultivadora, utilice la manija provista. No sostenga por los dientes al levantar o sujetar la cultivadora. Nunca levante ni transporte la máquina cuando el motor está encendido.

- Use sólo dispositivos de sujeción o accesorios aprobados por el fabricante de la cultivadora. Si no lo hace, pueden producirse lesiones personales y daños a la cultivadora.

- Si se presentan situaciones que no están previstas en este manual, sea cuidadoso y use el sentido común.

## MANTENIMIENTO Y ALMACENAMIENTO

- Nunca manipule los dispositivos de seguridad de manera imprudente. Controle periódicamente que funcionen de forma adecuada.
- Controle frecuentemente que todos los pernos y tornillos estén bien ajustados para comprobar que la máquina se encuentra en condiciones seguras de funcionamiento. Asimismo, realice una inspección visual de la máquina para controlar si la misma está dañada.
- Antes de dejar el equipo, cambiar la anchura de los dientes, limpiar, reparar, realizar ajustes y operaciones similares, detenga el motor, desconecte el cable de alimentación para evitar un arranque accidental, y asegúrese de que los dientes y todas las piezas móviles se hayan detenido.
- No lave la cultivadora con una manguera. Evite que el agua entre en contacto con el motor y las conexiones eléctricas.
- Mantenga o reemplace las etiquetas de seguridad e instrucciones según sea necesario.
- Siga las instrucciones de este manual para cargar, descargar, transportar y almacenar de manera segura esta máquina.
- Consulte siempre el manual de funcionamiento para conocer las instrucciones adecuadas para el almacenamiento fuera de temporada. Cuando no esté en uso, la cultivadora debe almacenarse en un lugar seco y alto, o bajo llave, fuera del alcance de los niños.
- Mantenga la cultivadora con cuidado. Siga las instrucciones para lubricar y limpiar.
- Verifique si hay piezas dañadas. Antes de seguir utilizando la cultivadora, controle con mucho cuidado la protección o cualquier otra pieza que esté dañada para determinar si funcionará correctamente y realizará la función para la cual fue diseñada. Controle la alineación de las piezas móviles, el agarrotamiento de las piezas móviles, la rotura de piezas, el montaje y cualquier otra condición que pueda afectar al funcionamiento. Una protección u otra parte que esté dañada debe ser reparada o reemplazada de manera adecuada por un centro de servicio técnico autorizado.



### ADVERTENCIA:

Esta máquina eléctrica sólo pueden

usarla las personas que lean, comprendan y respeten las advertencias y las instrucciones que aparecen en este manual y en la máquina.

## GUARDE ESTAS INSTRUCCIONES



# REGLAS PARA FUNCIONAMIENTO SEGURO

## SÍMBOLOS DE SEGURIDAD E INTERNACIONALES

Este manual del operador describe símbolos de seguridad e internacionales, así como pictogramas, que pueden aparecer en este producto. Lea el manual del operador para obtener información completa sobre seguridad, montaje, funcionamiento, mantenimiento y reparaciones.

### SÍMBOLO

### SIGNIFICADO



- **SÍMBOLO DE ALERTA DE SEGURIDAD**

Indica peligro, advertencia o precaución. Puede utilizarse junto con otros símbolos o imágenes.



- **LEA EL MANUAL DEL OPERADOR**

### **ADVERTENCIA:**

Lea todos los manuales del operador y cumpla todas las advertencias e instrucciones de seguridad. Si no lo hace, se pueden provocar lesiones personales al operador o a los transeúntes.

### SYMBOLO

### SIGNIFICADO



- **LOS DIENTES GIRATORIOS DE LAS CULTIVADORAS PARA JARDÍN PUEDEN PROVOCAR LESIONES GRAVES.**

### **ADVERTENCIA:**

Detenga el motor, desenchufe el prolongador y deje que los dientes se detengan antes de retirar los mismos, o antes de limpiar y realizar cualquier tarea de mantenimiento. Mantenga los pies y las manos alejados de los dientes giratorios.



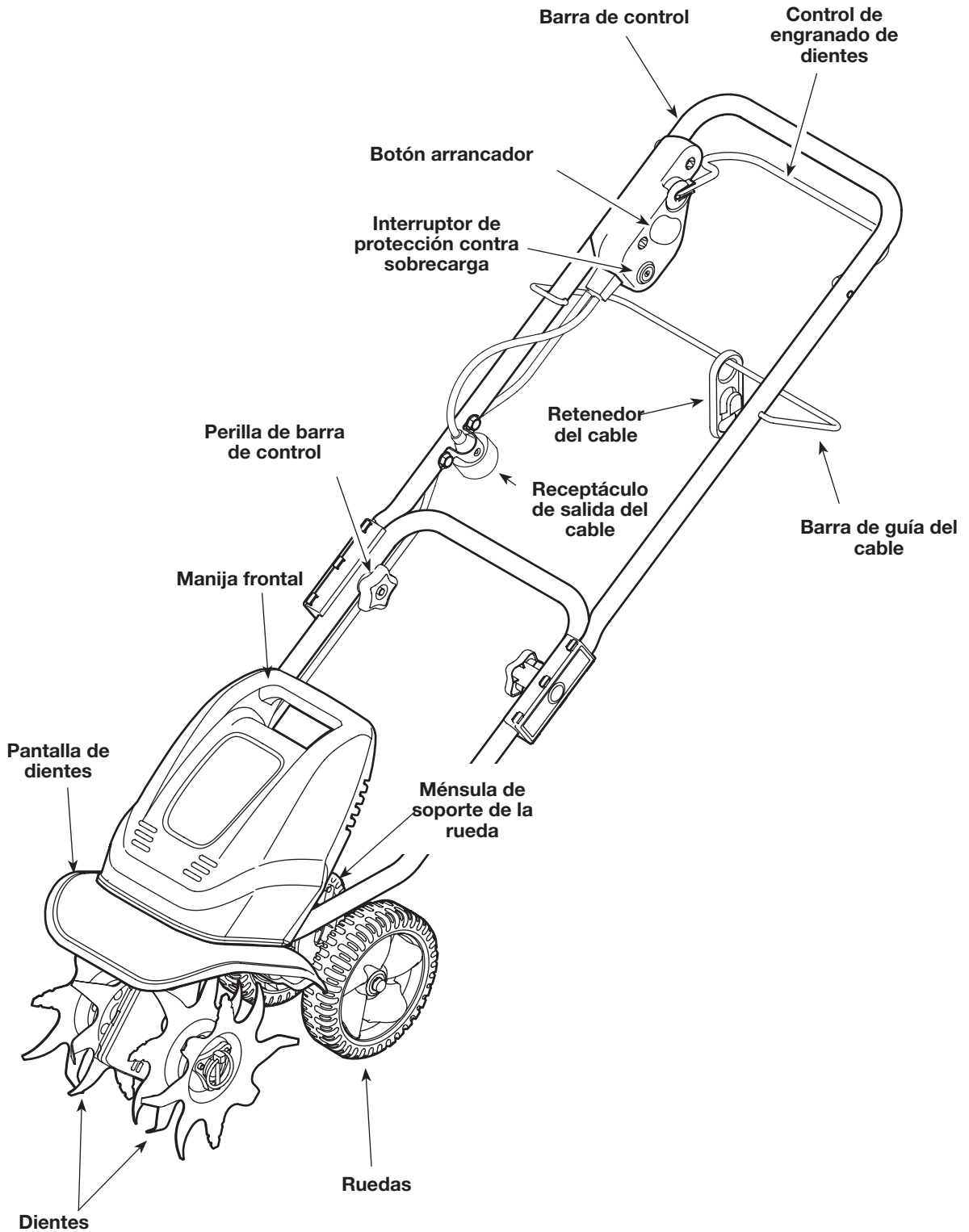
# REGLAS PARA FUNCIONAMIENTO SEGURO

## CONOZCA SU CULTIVADORA

### APLICACIONES

Como una cultivadora

- Cultivar la tierra en jardines vegetales domésticos, macizos de flores y alrededor de arbustos



# INSTRUCCIONES DE MONTAJE

**NOTA:** Las referencias a los lados derecho o izquierdo de la cultivadora se hacen observando la máquina desde la posición de funcionamiento.

## Extracción de la unidad de la caja

1. Saque las grapas, rompa el pegamento de las aletas superiores o corte la cinta del extremo de la caja y tire a lo largo de la aleta superior para abrir la misma.
2. Saque todas las piezas sueltas que se puedan incluir junto con la unidad.
3. Corte a lo largo de las esquinas, extienda la caja plana hacia abajo y saque de forma segura el material de embalaje o el cartón suelto.
4. Haga rodar o deslice la unidad fuera de la caja y revise minuciosamente la caja para controlar si hay piezas sueltas.

## Piezas sueltas dentro de la caja

- Manual del operador

## Herramientas necesarias para el montaje

- Ninguna

	<p><b>ADVERTENCIA:</b> Para evitar lesiones personales graves, no conecte prolongadores eléctricos a la unidad hasta terminar por completo el montaje de la cultivadora</p>
--	---

## MONTAJE DE LA CULTIVADORA

### Montaje de la manija

1. Afloje cada perilla manual del interior de la manija superior (Fig. 1).
2. Levante con cuidado y haga girar la manija superior a la posición de funcionamiento (Fig. 2).
3. Asegure la manija superior y la manija inferior apretando las perillas manuales (Fig. 2). Es necesario asentar cada perno del carro adecuadamente en el orificio cuadrado del conector de plástico.

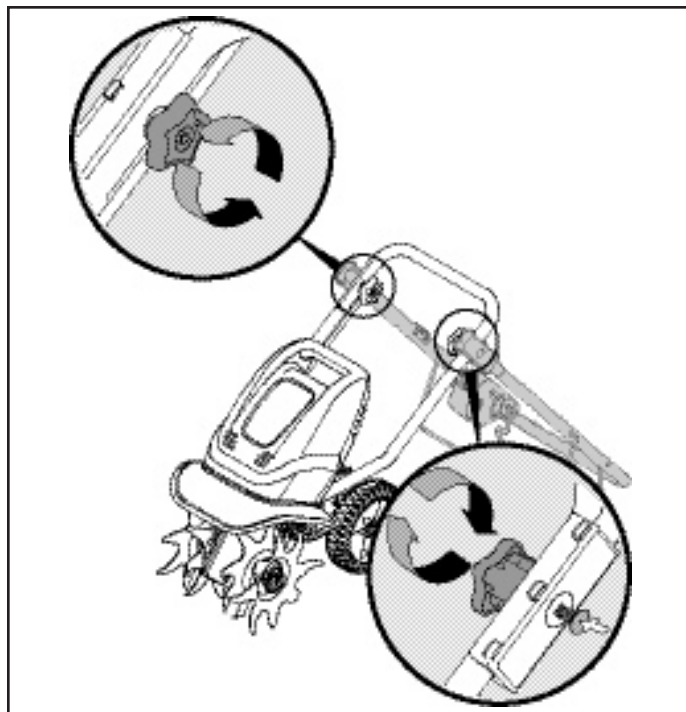


Fig. 1

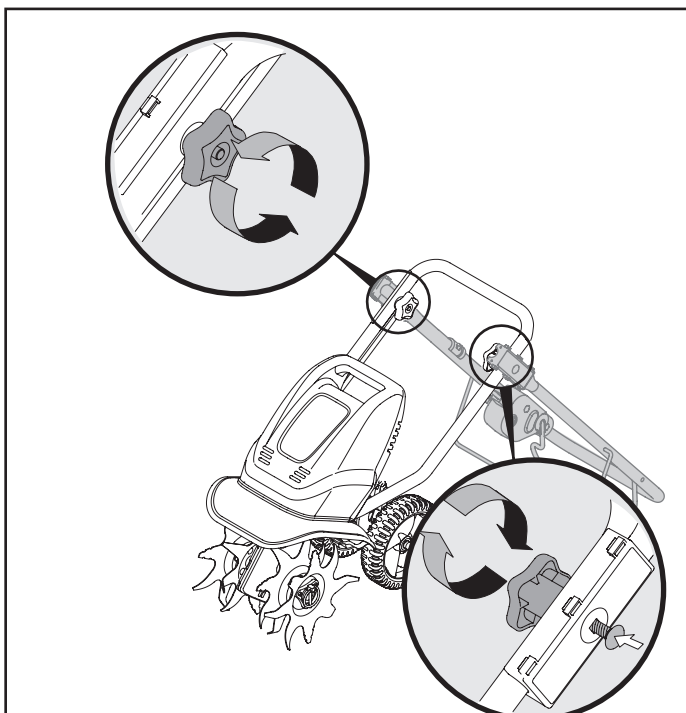


Fig. 2

# INSTRUCCIONES DE MONTAJE

## Uso del retenedor del cable

En la barra de guía del cable situada en la manija superior se haya suspendido un retenedor del prolongador.

**NOTA:** No enchufe el prolongador al receptáculo de la fuente de alimentación (salida) antes de dirigirlo a través del retenedor del cable y conectar el prolongador al receptáculo de salida del cable de la cultivadora.

Para dirigir de forma adecuada su prolongador a través del retenedor del cable:

1. Aproximadamente a ocho pulgadas de su extremo, doble el prolongador para formar un lazo ajustado.
2. Empuje dicho lazo a través del orificio inferior del retenedor del cable (Fig. 3).
3. Posicione el lazo sobre el broche que hay en el retenedor del cable y estire hacia abajo hasta que el cable encaje cómodamente en el broche (Fig. 4).

**NOTA:** Utilice un prolongador aprobado por UL. Se recomienda un cable de calibre 14 y 100 pies. Es aceptable un cable de calibre 16 y 50 pies. Consulte la pequeña tabla que aparece en la página 3.

El retenedor del cable y la barra de guía colaboran para asegurar su prolongador y limitar de forma segura su movimiento.

El retenedor del cable (junto con el prolongador) se desliza a lo largo de la barra de guía a medida que la cultivadora se mueve hacia la izquierda o la derecha (Fig. 5).

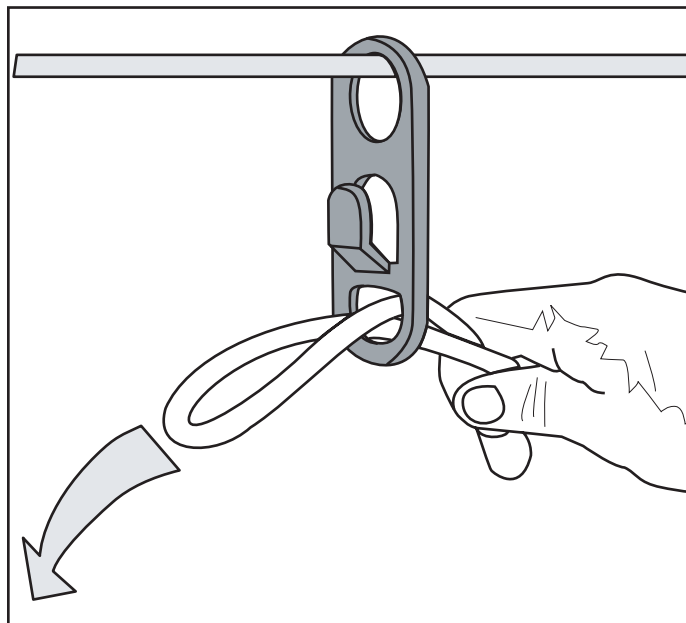


Fig. 3

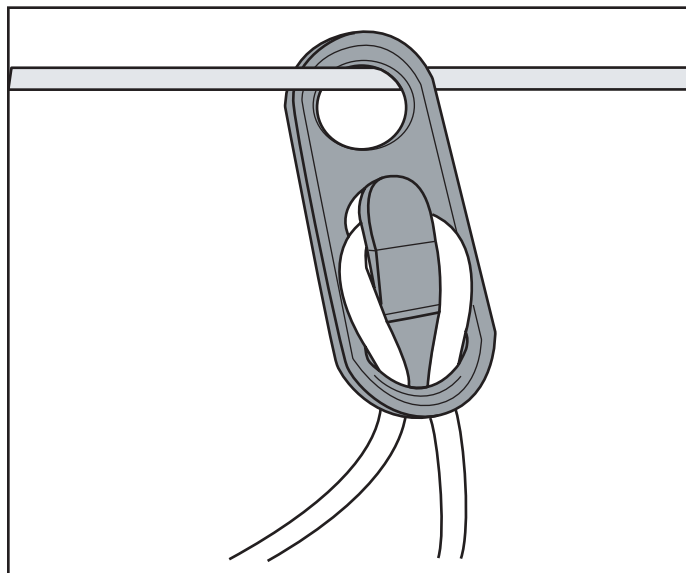


Fig. 4

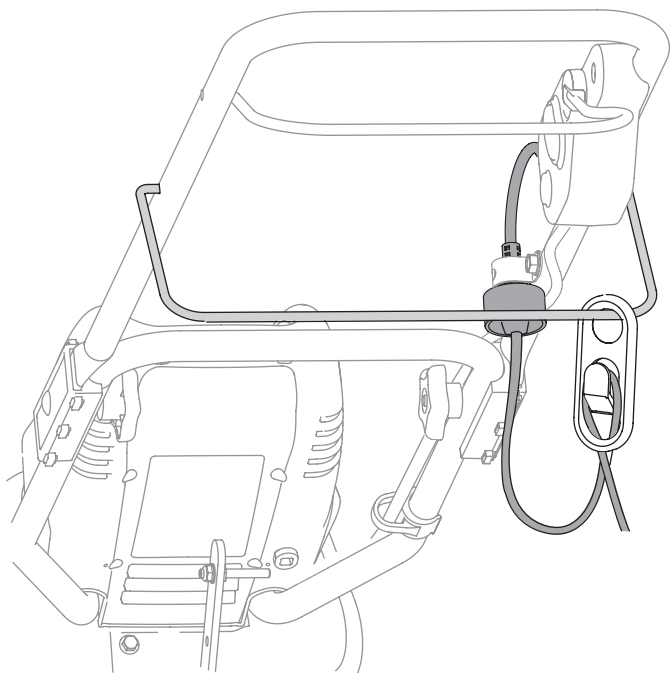


Fig. 5

# INSTRUCCIONES DE ARRANQUE/DETENCIÓN

## INSTRUCCIONES DE ARRANQUE



### ADVERTENCIA:

Evite arranques

accidentales. Asegúrese de que está en posición de funcionamiento detrás de la cultivadora cuando la utilice. Para evitar lesiones graves, tanto el operador como la unidad deben estar en una posición estable durante el arranque.

### Conexión a una fuente de alimentación eléctrica

**NOTA:** Conecte el prolongador a la cultivadora tal y como se indica en la página anterior antes de enchufar el prolongador a una salida eléctrica.

1. Enchufe el prolongador a cualquier salida conveniente (interior o exterior) conectada a tierra de 120 volt. y 60 ciclos CA. Su cultivadora funcionará de forma satisfactoria en un circuito con un disyuntor de 15 amperios.

**NOTA:** Para evitar que se disparen los disyuntores del circuito, seleccione una salida en un circuito que no esté sobrecargado. NO seleccione una salida que esté en un circuito que albergue dispositivos como un refrigerador.

2. Permanezca detrás de la cultivadora, en posición de funcionamiento.
3. Haga pivotar la cultivadora ligeramente hacia atrás, de manera que su peso se apoye sobre las ruedas y los dientes, y NO entre en contacto con el piso
4. Oprima el botón arrancador (rojo) y manténgalo oprimido (Fig. 6). **NOTA:** Al arrancar el motor de la cultivadora también se inicia la acción de cultivar.
5. Mientras mantiene oprimido el botón arrancador, haga pivotar el gancho hacia arriba contra la manija (Fig. 6) para arrancar el motor y engranar los dientes.

**NOTA:** El motor de la cultivadora NO arrancará si no se mantiene oprimido el botón arrancador mientras se pivota el gancho hacia arriba.

6. Suelte el botón arrancador (rojo), y tome a la vez la manija y el gancho con ambas manos (Fig. 7).

### INSTRUCCIONES DE DETENCIÓN

1. Suelte el gancho.
2. El botón del arrancador se soltará, el gancho pivotará hacia abajo y el motor se detendrá.

### INTERRUPTOR DE PROTECCIÓN CONTRA SOBRECARGA

1. Suelte el gancho y NO vuelva a arrancar la cultivadora durante al menos un minuto, dando tiempo al motor eléctrico para que se enfríe.
2. Oprima el interruptor de protección contra sobrecarga para restablecer (Fig. 6).

Si la protección contra sobrecarga se activa poco después de restablecer:

1. Suelte el gancho y NO reinicie la cultivadora durante al menos 15 minutos para dar un tiempo extra al motor eléctrico para que se enfríe.
2. Oprima el interruptor de protección contra sobrecarga para restablecer.
3. Vuelva a arrancar la unidad.

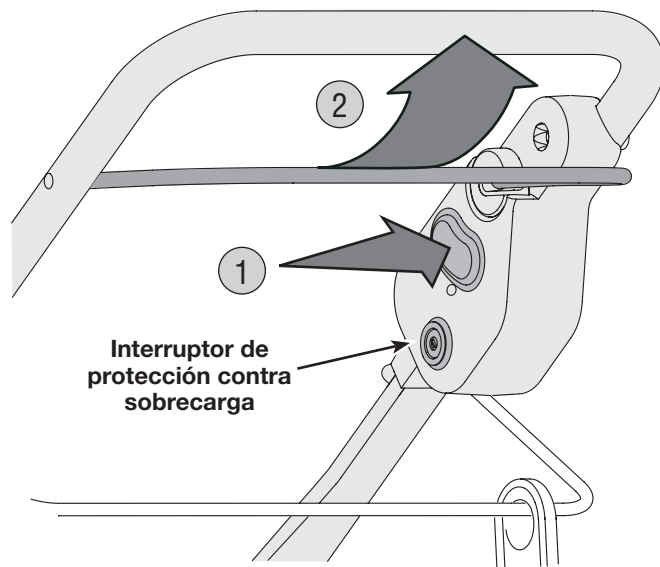


Fig. 6

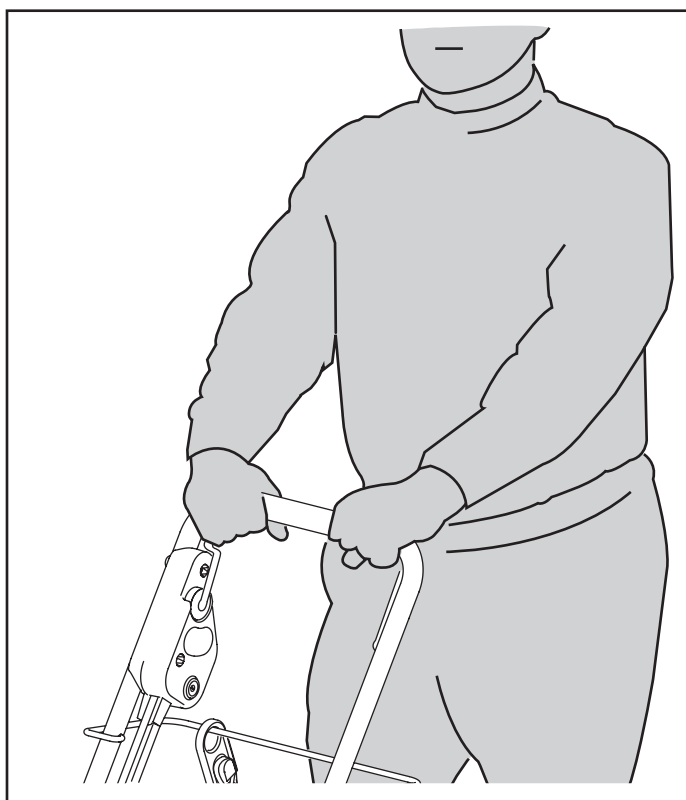


Fig. 7

**NOTA:** Si el interruptor de protección contra sobrecarga se activa repetidamente durante el funcionamiento, o si no se mantiene cuando se intenta restablecer, póngase en contacto con su Centro de Partes y Reparaciones Sears para acordar una reparación

# INSTRUCCIONES DE FUNCIONAMIENTO

## AJUSTE DE LA MÉNSULA DE SOPORTE DE LA RUEDA

	<b>ADVERTENCIA:</b> Evite arranques accidentales. Detenga el motor y desconecte el prolongador antes de ajustar la ménsula de soporte de las ruedas

Para ajustar la ménsula de soporte de la rueda proceda de la siguiente manera:

1. Extraiga la chaveta de retén de la chaveta de horquilla y deslice la chaveta hasta extraerla de la ménsula de la pieza posterior (Fig. 8).

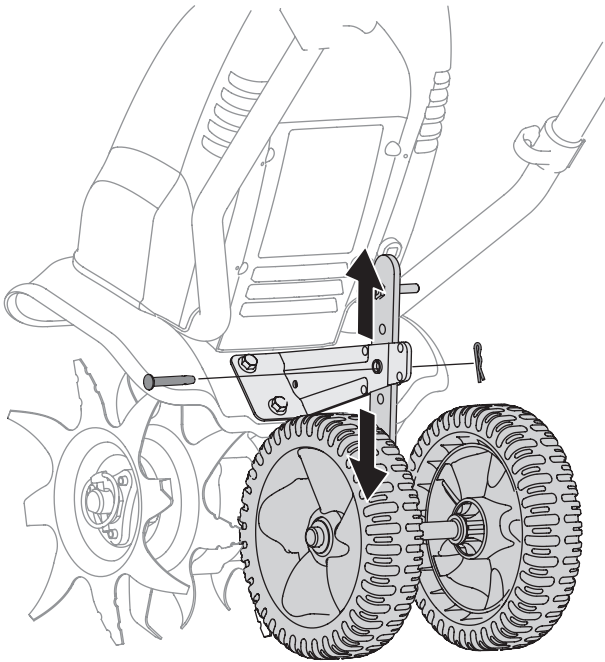



Fig. 8

2. Deslice la ménsula de soporte de la rueda hacia arriba o hacia abajo en la pieza posterior, alineando los orificios a la altura deseada.
3. Sitúe la chaveta de la horquilla a través del orificio y asegúrelo con una chaveta de retén.

## USO DE SU CULTIVADORA

	<b>ADVERTENCIA:</b> Nunca levante ni transporte la máquina cuando el motor esté en funcionamiento. Se podrían producir lesiones personales graves.

1. Mueva la cultivadora al área de trabajo antes de arrancar el motor. Transporte la cultivadora empujando o tirando de ella por sus ruedas. O puede mover la cultivadora mediante su manija frontal.
2. Arranque la cultivadora siguiendo todos los pasos que aparecen en INSTRUCCIONES DE ARRANQUE en la página anterior.
3. Con ambas manos en la manija superior, pivote lentamente la cultivadora hacia delante hasta que los dientes hagan contacto con el piso.

	<b>ADVERTENCIA:</b> Evite el riesgo de lesiones. Mantenga el prolongador separado de la ruta de cultivo en todo momento. No permita que los dientes entren en contacto con el prolongador.

4. Una vez que los dientes estén en tierra, cultive a un paso moderado hasta que se haya familiarizado con los controles y el manejo de la cultivadora.
- NOTA:** Esté atento a la ubicación del prolongador en todo momento. No deje que los dientes de la cultivadora entren en contacto con el prolongador durante el funcionamiento.
5. Para ajustar la profundidad de cultivo, ajuste la ménsula de soporte de la rueda. Consulte la sección "Ajuste de la ménsula de soporte de la rueda".

**NOTA:** Se recomienda una profundidad de dos a tres pulgadas (50,8 - 76,2 mm) para el cultivo. Cuando trace las hileras de plantas, asegúrese de dejar un ancho suficiente para el cultivo entre dichas hileras.

# INSTRUCCIONES DE MANTENIMIENTO Y REPARACIÓN



**ADVERTENCIA:** Para evitar lesiones graves, nunca realice el mantenimiento ni las reparaciones con la unidad en funcionamiento. Realice dichas tareas siempre con la unidad fría.



**ADVERTENCIA:** Evite arranques accidentales. Detenga el motor y desconecte el prolongador antes de realizar tareas de mantenimiento o reparaciones

## Extracción y reemplazo de los dientes

Todos los dientes de su cultivadora están sujetos a desgaste, y se deben reemplazar cuando presenten signos de daño.

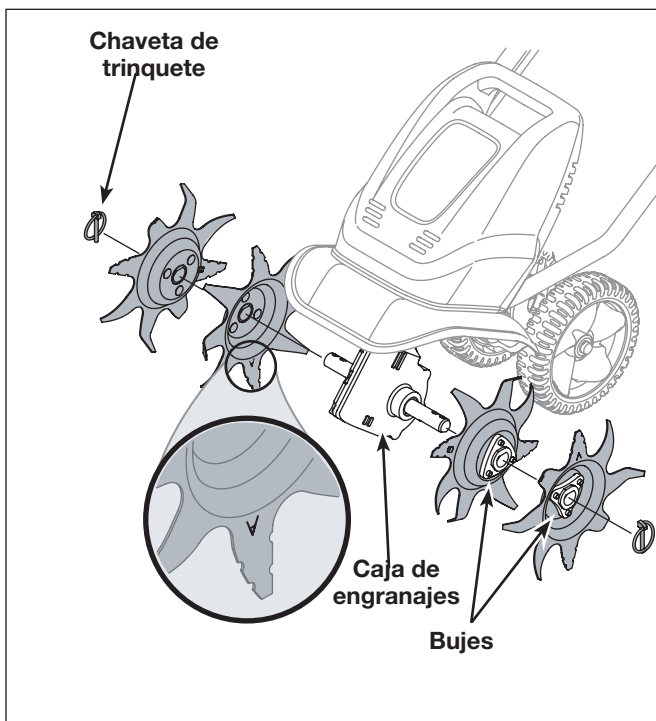
Los dientes también se deben retirar para limpiarlos tras cada uso



**ADVERTENCIA:** Los dientes de la cultivadora son muy afilados. Utilice siempre guantes de cuero para proteger sus manos cuando manipule los dientes.

Para reemplazar los dientes de la cultivadora:

1. Retire la chaveta de trinquete de cada extremo del árbol de dientes.



**NOTA:** Cada montaje de dientes está estampado con "A" o "B" (Fig. 9). Tome nota de la ubicación de cada diente en el eje para facilitar su montaje de nuevo.



**ADVERTENCIA:** No lave la cultivadora con una manguera. Evite que el agua entre en contacto con el motor y las conexiones eléctricas.

2. Retire con cuidado cada montaje de dientes de los ejes de dientes.
3. Limpie cada eje de dientes con un trapo húmedo y aplique a cada eje una capa ligera de aceite (por ejemplo, 3-N-One) o lubricante a base de silicona. NO use WD-40.
4. Enjuague cada montaje de dientes con agua y seque completamente cada uno de ellos antes de volver a ubicarlo en el eje de dientes.
5. Vuelva a insertar cada chaveta de trinquete para asegurar los montajes de dientes en su lugar.

## Consejos para volver a ubicar los dientes

- Cada eje de dientes sostiene un montaje de dientes estampado con "A" y un montaje de dientes estampado con "B".
- Los extremos de campana en cada uno de los montajes (en cada eje) deben estar uno frente a otro (Fig. 9).
- El buje de cada montaje de dientes (Fig. 9) debe estar orientado hacia afuera (lejos de la caja de engranajes de la cultivadora).

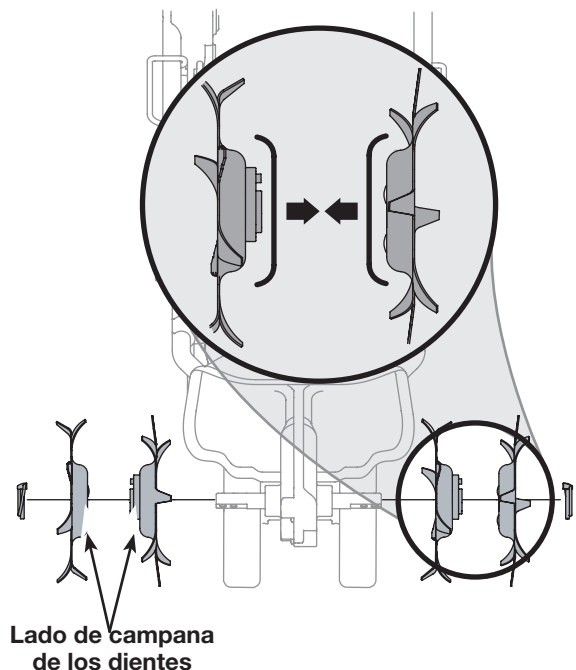


Fig. 9



# SOLUCIÓN DE PROBLEMAS

## EL MOTOR NO ARRANCA

### CAUSA

1. La unidad está desenchufada
2. Botón arrancador o gancho mal usados
3. El interruptor de protección contra sobrecarga se ha disparado

### ACCIÓN

1. Asegúrese de que el prolongador está enchufado de iforma segura en el receptáculo de salida del cable de la cultivadora en un extremo, y en una salida de 110V. en el extremo contrario.
2. Oprima el botón arrancador y *manténgalo oprimido* mientras presiona el gancho contra la manija.
3. Oprima el interruptor de protección contra sobrecarga. Siga las instrucciones de arranque.

**NOTA:** Para reparaciones mayores que no estén enumeradas anteriormente, póngase en contacto con su centro de partes y reparaciones Sears más cercano (al 1-800-4-MY-HOME<sup>®</sup>) o con otro centro de servicio técnico calificado para un ajuste.

## ESPECIFICACIONES

### MOTOR

Tipo de motor: .....	Eléctrico de 120 V
CARPM operativas .....	hasta 8000 rpm
Interruptor de encendido .....	Botón de seguridad con bloqueo por gancho
Amperaje .....	6,5 Amp
Protección contra sobrecarga .....	Disyuntor de 5 amp y 120 V

### CULTIVADORA\*

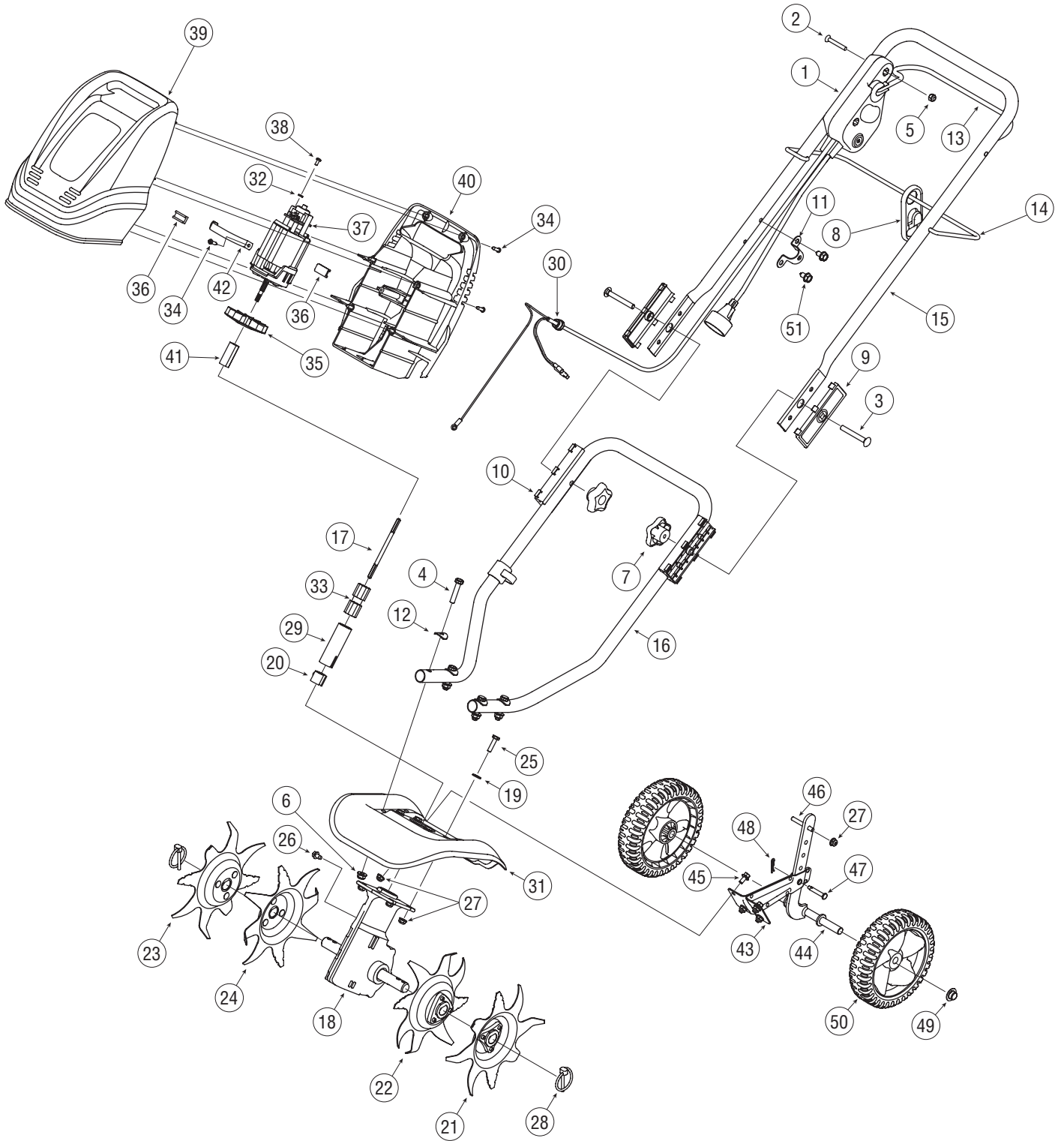
Tubo del eje de la transmisión .....	Tubo de acero
Manija .....	Tubo de acero
Anchura de ruta de cultivo (máximo) .....	9 pulgadas (22,86 cm.)
Profundidad de cultivo (máxima) .....	6 pulgadas (15,24 cm.)
Peso aproximado .....	27 lb. (12,25 kg)

\*Todas las especificaciones están basadas en la información más reciente disponible sobre el producto en el momento de la impresión. Nos reservamos el derecho a realizar cambios en cualquier momento sin previo aviso.



# LISTADO DE PIEZAS

## MODELO 316-29260 CULTIVADORA ELÉCTRICA



# LISTADO DE PIEZAS

## MODELO 316-29260 CULTIVADORA ELÉCTRICA

<u>Artículo</u>	<u>No. de pieza</u>	<u>Descripción</u>
1	625-04027	Montaje del interruptor
2	710-04213	Tornillo, T27, 1/4-20, 1,75 pulg.
3	710-0572	Perno, Carro, 5/16-18, 2.50, Gr1
4	710-0805	Tornillo hexagonal, 5/16-18, 1.50, Gr5
5	912-0324	Tuerca, de seguridad hexagonal, 1/4-20, Gr8, Nylon
6	712-04063	Tuerca, de seguridad de brida, 5/16-18, GrF, Nylon
7	720-04052	Perilla, hexagonal, 5/16-188
8	726-0368-0637	Retenedor del cable
9	731-05178	Aislante, manija superior
10	731-05186	Aislante, manija inferior
11	786-04295	Cable de guía
12	736-0451	Arandela, cóncava, 320 x 0,93 x 0,06
13	747-04375	Gancho de control
14	747-04376A	Varilla de guía
15	749-04244	Manija, superior
16	749-1295A	Manija, inferior
17	10055-20	Eje flexible, 4.5 pulg.
18	753-04075	Caja de engranajes
19	791-182678	Arandela, plana
20	753-04078	Manguito
21	753-04071	Montaje de dientes, exterior
22	753-04072	Montaje de dientes, interior
23	753-04073	Montaje de dientes, exterior
24	753-04074	Montaje de dientes, interior
25	710-0597	Tornillo hexagonal, 1/4-20, 1,00, Gr5
26	4543	Perno, arandela hexagonal de 1/4-20 x 0,50
27	712-04064	Tuerca, de seguridad de brida, 1/4-20, GrF, Nylon
28	753-04070	Pasador Lynch, 0,1875
29	750-04441	Tubo, 0,922 x 1,0 x 3,0
30	753-04428	Manguito, cable
31	753-04067	Escudo de dientes
32	1625	Arandela, de seguridad, #10
33	1A2679	Tubo con separadores
34	1948	Tornillo, 0,750
35	50004	Ventilador
36	50545	Almohadilla del motor, 1 pulg.
37	924-04008	Montaje del motor, 120 V
38	791-145569	Tornillo, #8-32 x 0,312
39	731-05207	Cubierta del motor, delantera
40	731-05208	Cubierta del motor, posterior
41	748-04085	Buje del motor
42	786-04268	Correa del motor
43	753-04058	Montaje de ménsula, pieza posterior
44	753-04063	Montaje de ménsula de soporte, rueda
45	710-04468	Tornillo de brida hexagonal, 1/4-20, 0,50, Gr5
46	911-0993	Pasador de protección de la correa 1/4 diám. x 1,43
47	711-1017	Chaveta de horquilla, 0,250 x 1,53
48	914-0104	Chaveta de retén, 0,072 Dia. x 1, 13
49	726-0299	Tapa a presión, 1/2 pulg.
50	734-1988	Rueda, 7 x 1,8 gris de radios
51	710-0604A	Tornillo, 5/16-18, 0,625

# Get it fixed, at your home or ours!

## Your Home

For repair – **in your home** – of **all** major brand appliances, lawn and garden equipment, or heating and cooling systems, **no matter who made it, no matter who sold it!**

For the replacement parts, accessories and owner's manuals that you need to do-it-yourself.

For Sears professional installation of home appliances and items like garage door openers and water heaters.

**1-800-4-MY-HOME® (1-800-469-4663)**

Call anytime, day or night (U.S.A. and Canada)

[www.sears.com](http://www.sears.com)    [www.sears.ca](http://www.sears.ca)

---

## Our Home

For repair of carry-in items like vacuums, lawn equipment, and electronics, call or go on-line for the location of your nearest **Sears Parts & Repair Center.**

**1-800-488-1222**

Call anytime, day or night (U.S.A. only)

[www.sears.com](http://www.sears.com)

---

To purchase a protection agreement (U.S.A.) or maintenance agreement (Canada) on a product serviced by Sears:

**1-800-827-6655** (U.S.A.)

**1-800-361-6665** (Canada)

---

Para pedir servicio de reparación a domicilio, y para ordenar piezas:

**1-888-SU-HOGAR<sup>SM</sup>**

(1-888-784-6427)

Au Canada pour service en français:

**1-800-LE-FOYER<sup>MC</sup>**

(1-800-533-6937)

[www.sears.ca](http://www.sears.ca)

