

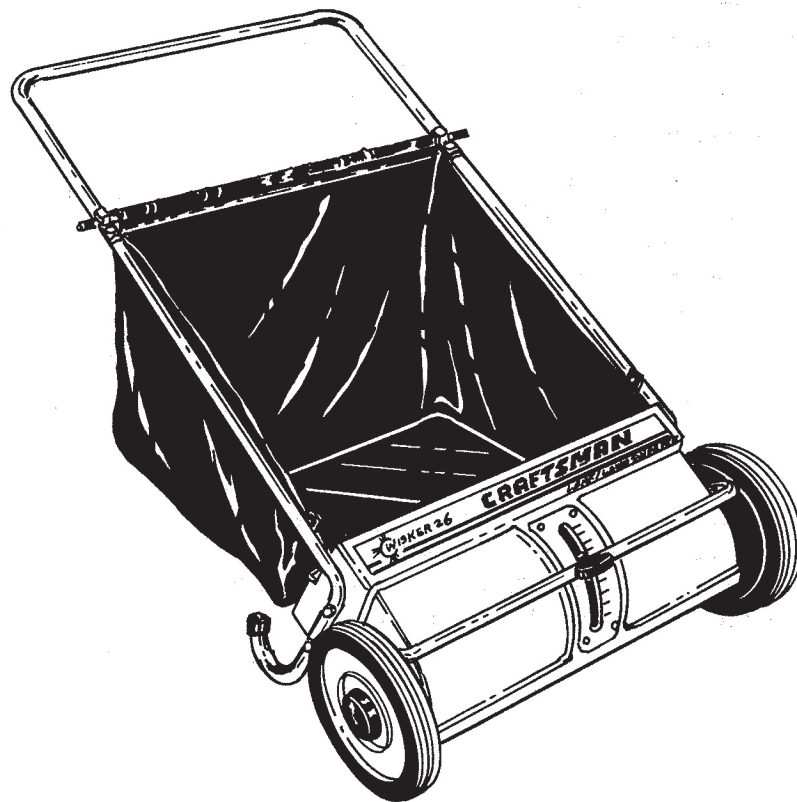
# Operator's Manual



DO NOT RETURN TO STORE  
For Missing Parts or Assembly  
Questions Call 1-866-576-8388

## LEAF/LAWN SWEEPER

Model No. 486.240362



### CAUTION:

Before using this product, read this manual and follow all Safety Rules and Operating Instructions.

- Safety
- Assembly
- Operation
- Maintenance
- Parts

Sears, Roebuck and Co., Hoffman Estates, IL 60179 U.S.A.  
[www.sears.com/craftsman](http://www.sears.com/craftsman)

# TABLE OF CONTENTS

SAFETY RULES.....	2	STORAGE .....	6
CARTON CONTENTS.....	3	MAINTENANCE .....	7
HARDWARE PACKAGE .....	3	REPAIR PARTS ILLUSTRATION.....	8
ASSEMBLY.....	4	REPAIR PARTS LIST .....	9
OPERATION.....	6	PARTS ORDERING/SERVICE .....	Back Cover

## WARRANTY

### ONE YEAR FULL WARRANTY

When operated and maintained according to the instructions supplied with it, if this sweeper fails due to a defect in material or workmanship within one year from the date of purchase, call 1-800-4-MY-HOME® to arrange for free repair (or replacement if repair proves impossible).

If this product is used for commercial or rental purposes, this warranty applies for only 90 days from the date of purchase.

This warranty gives you specific legal rights, and you may also have other rights which vary from state to state.

**Sears, Roebuck and Co., D817WA, Hoffman Estates, IL 60179**

The model number and serial numbers will be found on a decal attached to the sweeper.  You should record both the serial number and the date of purchase and keep in a safe place for future reference.	MODEL NUMBER:	486.240362
	SERIAL NUMBER:	_____
	DATE OF PURCHASE:	_____

## SAFETY



**LOOK FOR THIS SYMBOL TO POINT OUT IMPORTANT SAFETY PRECAUTIONS. IT MEANS—ATTENTION! BECOME ALERT! YOUR SAFETY IS INVOLVED.**

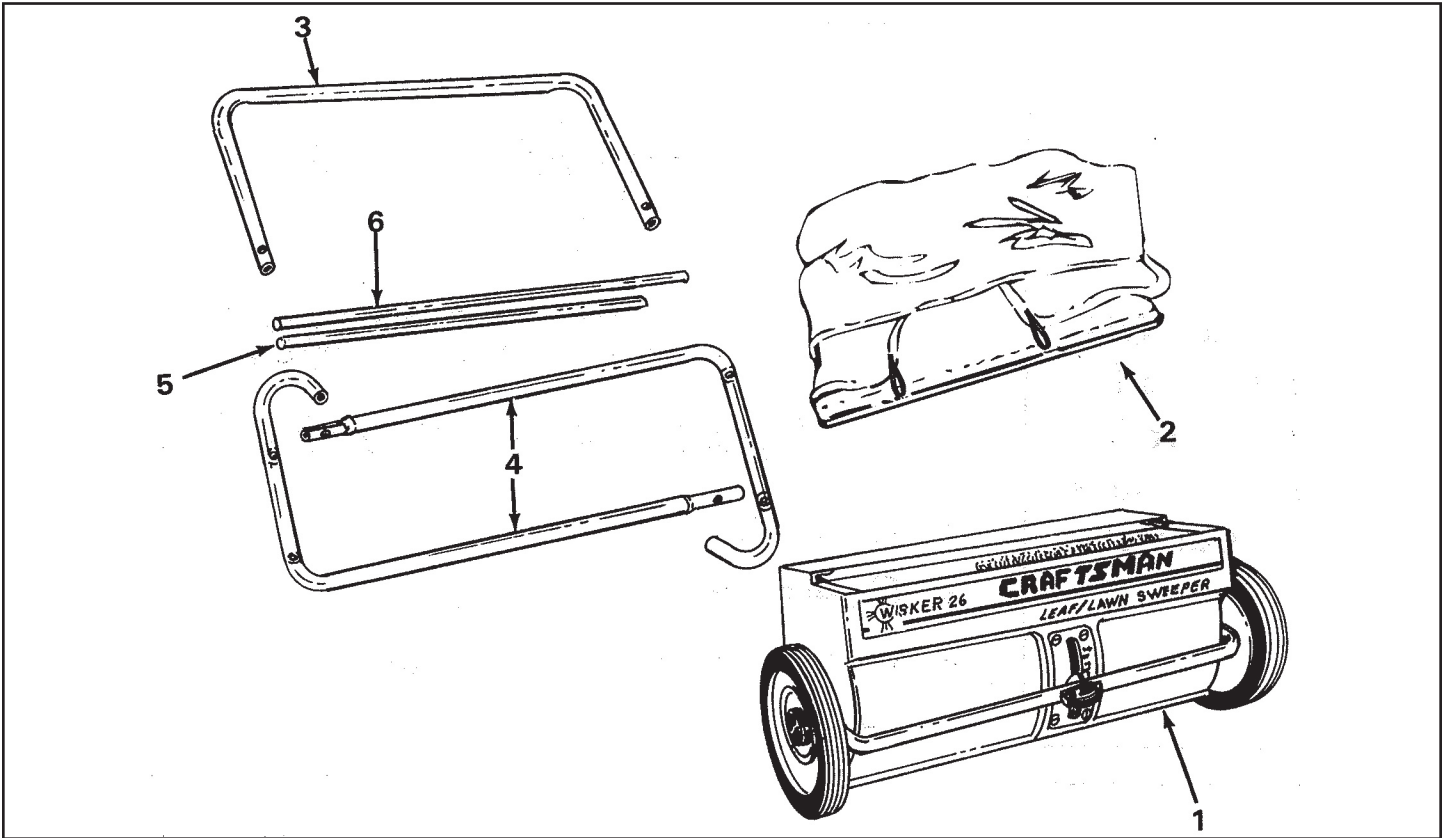


**CAUTION: VEHICLE BRAKING AND STABILITY MAY BE AFFECTED WITH THE ADDITION OF AN ACCESSORY OR AN ATTACHMENT. BE AWARE OF CHANGING CONDITIONS ON SLOPES.**

- Do not allow anyone to operate the sweeper without proper instructions.
- Do not permit children to operate sweeper.
- Eye protection should be worn while operating sweeper.
- Do not push or tow sweeper too close to a fire.
- Do not attempt to remove wire or string wrapped around brush while brush is rotating.
- Operate sweeper at reduced speed on rough terrain, in ditches and on hillsides to prevent tipping and loss of control. Stay alert for holes or other hidden hazards.
- This sweeper is not meant for street or highway use. Watch for traffic when sweeping near roadways.
- Keep all nuts, bolts and screws tight to be sure equipment is in safe working condition.
- Sweeper should be stopped and inspected for damage after striking a foreign object and damage should be repaired before operating the equipment.
- Follow maintenance instructions as outlined in this manual.

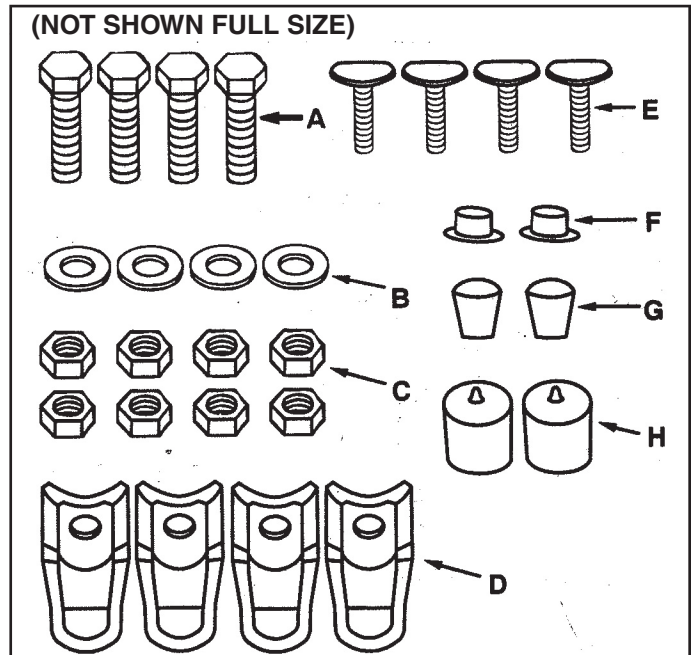
# CARTON CONTENTS

1. Sweeper Housing Assembly
2. Hopper Bag
3. Upper Handle
4. Lower Handle Leg Stand (2)
5. Short Bag Rod
6. Long Bag Rod



# HARDWARE PACKAGE

Ref. No.	Description	Qty.
A	Hex Bolt, 1/4-20 x 1-1/4"	4
B	Flat Washers 1/4" I.D.	4
C	Hex Lock Nuts 1/4-20	8
D	Bag Rod Clips	4
E	Curved Head Bolts 1/4-20 x 1"	4
F	Palnut 1/4"	2
G	Plastic Caps (for bag rods)	2
H	Plastic Caps (for leg stands)	2



# ASSEMBLY

## TOOLS REQUIRED FOR ASSEMBLY

(1) Phillips Screwdriver

(1) Adjustable Wrench

(1) 7/16" Open End or Box Wrench

1. Assemble the two Handle Leg Stand Tubes to the Sweeper Housing, using two hex bolts 1/4-20 x 1-1/4" long, flat washers and 1/4-20 hex lock nuts, per handle. See figure 1. Only hand tighten at this time.

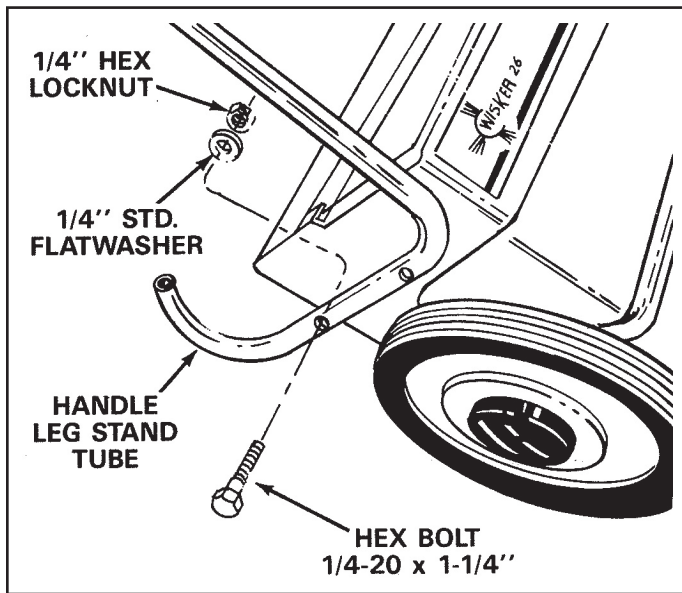


FIGURE 1

2. Assemble the Upper Handle Tube over the Handle Leg Stand Tubes. See figure 2. Align holes in handle and assemble the Bag Rod Clips to the handle as shown and fasten with curved head bolts and hex lock nuts.

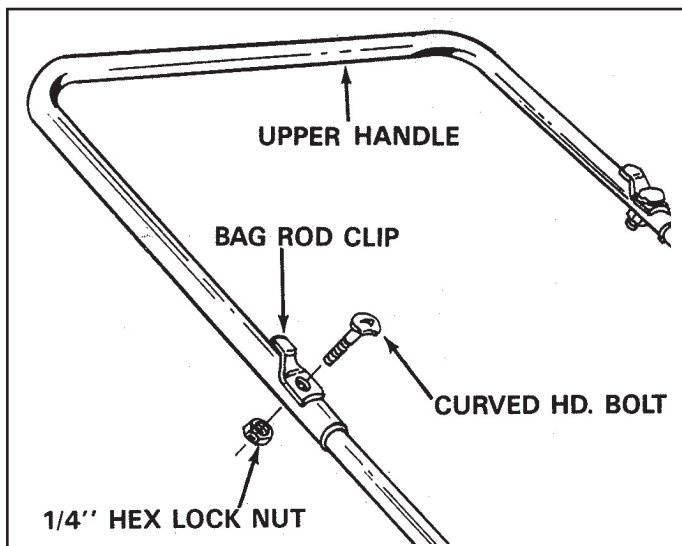


FIGURE 2

3. Now tighten the four bolts from step 1.

4. Assemble a bag rod clip to the inside of each lower handle tube using a curved head bolt secured down against the clip using a 1/4" lock nut. The open end of the clips should face towards the sweeper housing. See figure 3.

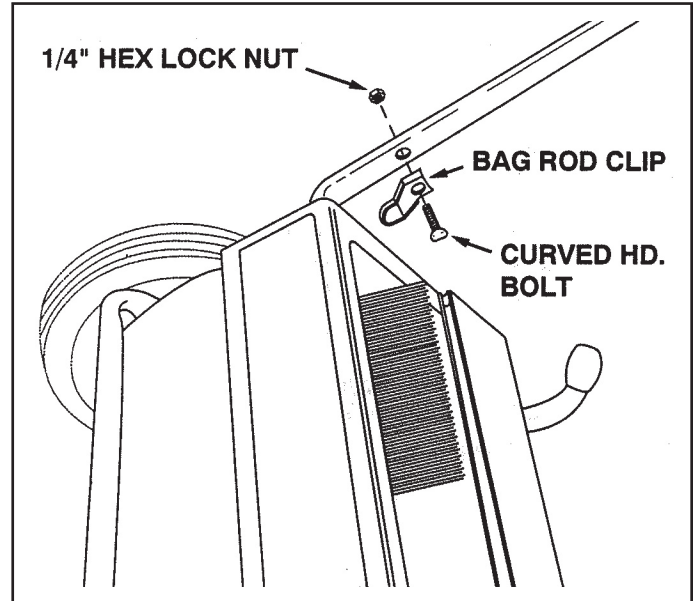


FIGURE 3

5. Slide the long bag rod (28-1/2" long) through the stitched bag flap on the top of the hopper bag as shown in figure 4.
6. Slide the short bag rod (25-1/2" long) through the stitched bag flap on the bottom of the hopper bag as shown in figure 4.

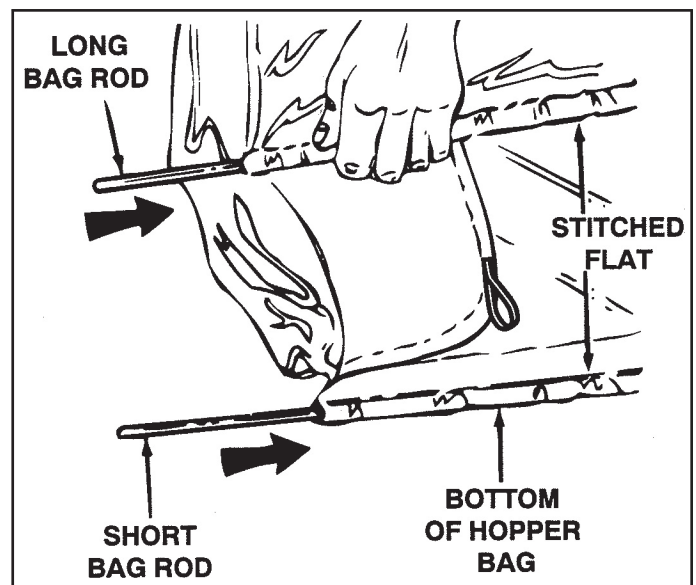


FIGURE 4

- Assemble the two plastic rod caps to the rod ends of the bottom bag rod. Assemble two Palnuts to the ends of the top bag rod. See figure 5.

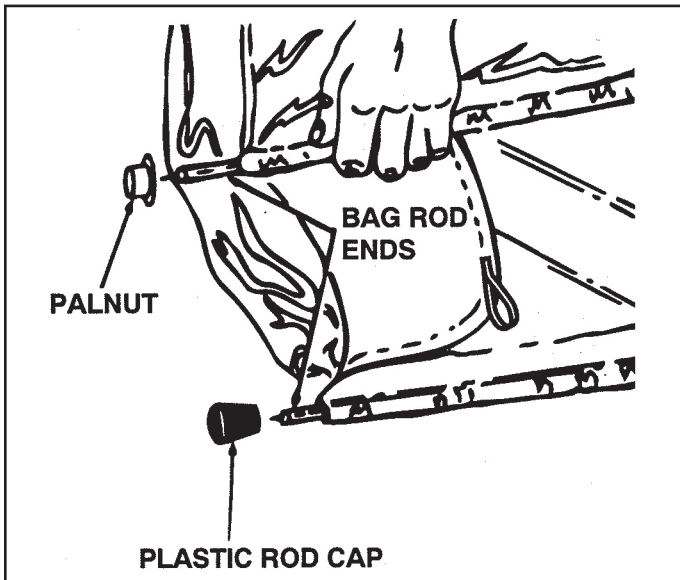


FIGURE 5

- Assemble the two plastic caps  $3/4" \times 7/8"$  onto the ends of the leg stands as shown in figure 6.

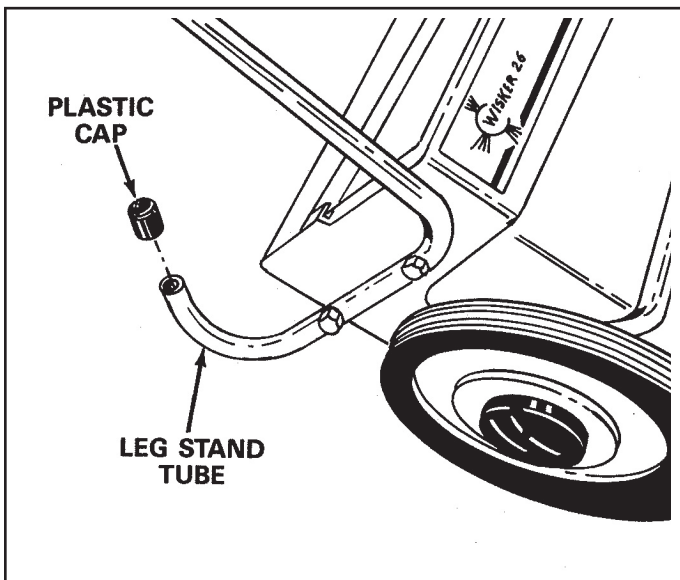


FIGURE 6

- Place the upper hopper bag and bag rod into the bag rod clips on the hopper handle. See figure 7.

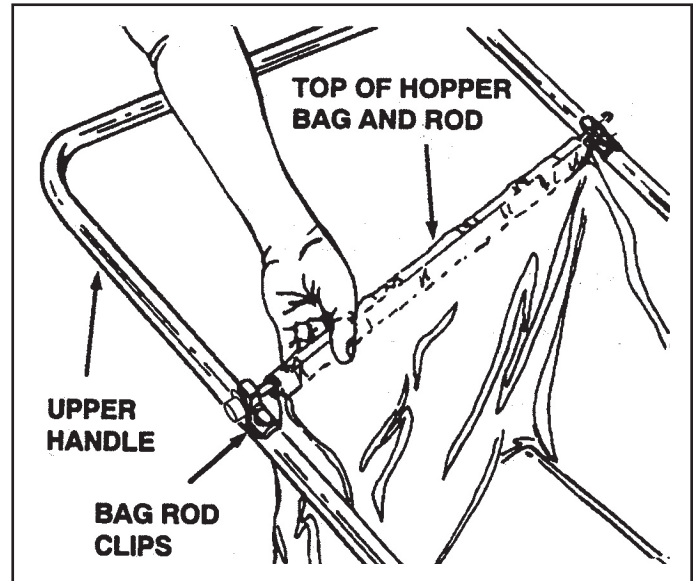


FIGURE 7

- Place the lower hopper bag and bag rod into the opening on the sweeper housing. See figure 8.

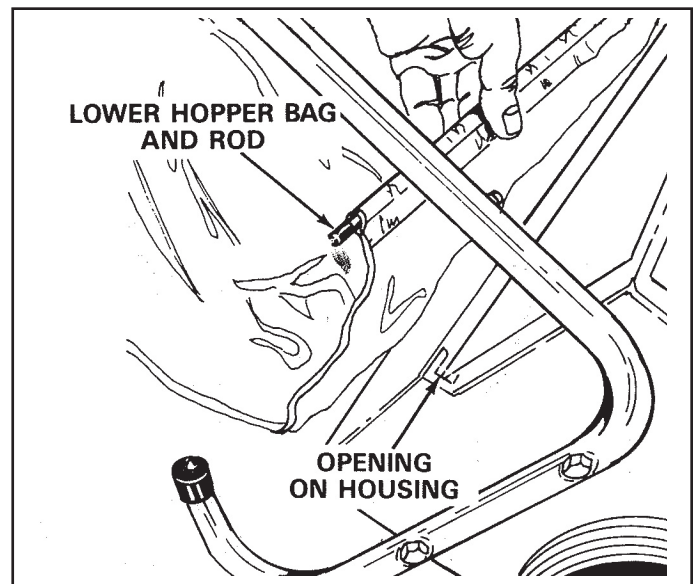


FIGURE 8

11. Hook the elastic straps on the bag flaps under the bag rod clips on the lower handle tubes as shown in figure 9.

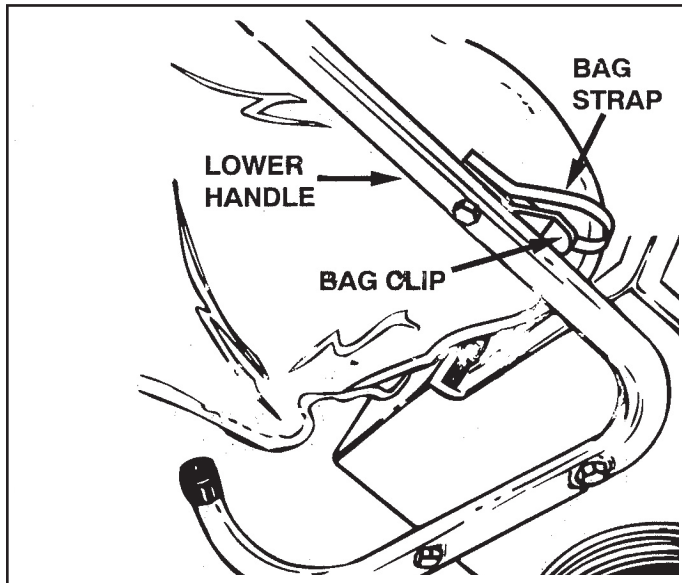


FIGURE 9

## OPERATION

Take care when operating your sweeper. Operating your sweeper according to these instructions will help prevent damage and prolong the life of your sweeper.

### BRUSH HEIGHT ADJUSTMENT

To adjust your sweeper brushes to the best operating height, loosen the hand knob and slide the height adjustment tube down to raise or up to lower the brushes. Best adjustment is when brushes are set 1/2" down into the grass. Always mow grass to even height before sweeping. See figure 10.

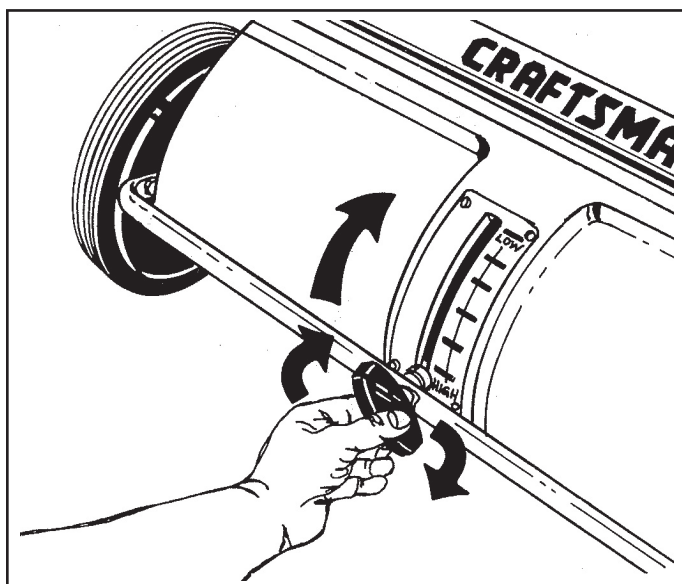


FIGURE 10



**CAUTION: EYE PROTECTION SHOULD BE WORN WHILE OPERATING SWEEPER**

### DUMPING OF SWEEPER

To dump sweeper hopper bag, simply tip the sweeper forward or lift off the complete hopper bag frame.

Always dump hopper after each use. Damp or wet grass and leaves will cause damage to hopper if stored for long periods of time.



**CAUTION: DO NOT DUMP THE SWEEPER TOO CLOSE TO A FIRE AS THE BRUSHES AND BAG CAN BE DESTROYED BY EXCESSIVE HEAT OR FLAME.**

### STORAGE

The entire unit may be hung on a wall or the hopper bag frame can be removed for storage.



## MAINTENANCE

The bearings in the sweeper have been prelubricated at the factory. It is recommended that a few drops of light oil be added to the brush shaft bearings twice a year. The wheels should be removed to clean gears every two years. After cleaning, apply an even coat of light grease. See figures 11 and 12.

### NOTE:

To remove the wheel, pop off hub cap with a screw driver and remove retaining "E" ring and flat washer.

## WHEEL GEARS/PAWL SERVICE

**IMPORTANT:** Do not remove both wheels at the same time to avoid mixing parts. (The R.H. and L.H. ratchet gears are not interchangeable.) Make notes on the position of washers and snap rings during disassembly.

1. Remove only one wheel from the sweeper.
2. Remove the retaining rings and washers which hold the ratchet gear onto the brush shaft.
3. Remove the gear by sliding it off the brush shaft. (Look for the drive pin, which may fall out of the brush shaft when the ratchet gear is removed.)
4. To reassemble, insert the drive pin through the hole near the end of the brush shaft. Make sure the pin slides back and forth easily in the shaft.
5. Lightly grease the shaft and fill the ratchet gear with grease. Assemble the ratchet gear back onto the shaft.
6. Lightly grease the axle and the gear teeth on the wheel and then reassemble the wheel. The brushes should rotate only during forward movement. If the brushes rotate by both forward and reverse movement, the drive pin is jamming in the ratchet gear. Dissamble, clean and lubricate the drive pin and ratchet gear and then reassemble wheel.
7. Remove opposite wheel and repeat steps 1-6 for that wheel.

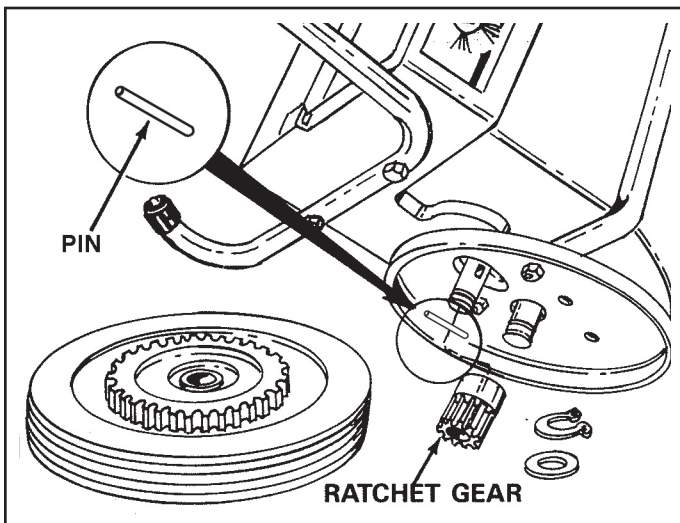


FIGURE 11

## BRUSH REPLACEMENT

1. Remove the hopper bag from lawnsweeper.
2. Brush replacement should be done one brush at a time.
3. Tip the sweeper forward on housing for ease of brush replacement. Do not remove hex bolt from double brush retainers through brush shaft.
4. Loosen hex bolts and hex lock nuts from single brush retainers. See figure 12. Slide brush out of retainers, making note of over-lap bristles position.
5. Install new brush, making sure over-lap bristles are positioned the same as before and as shown in figure 12.

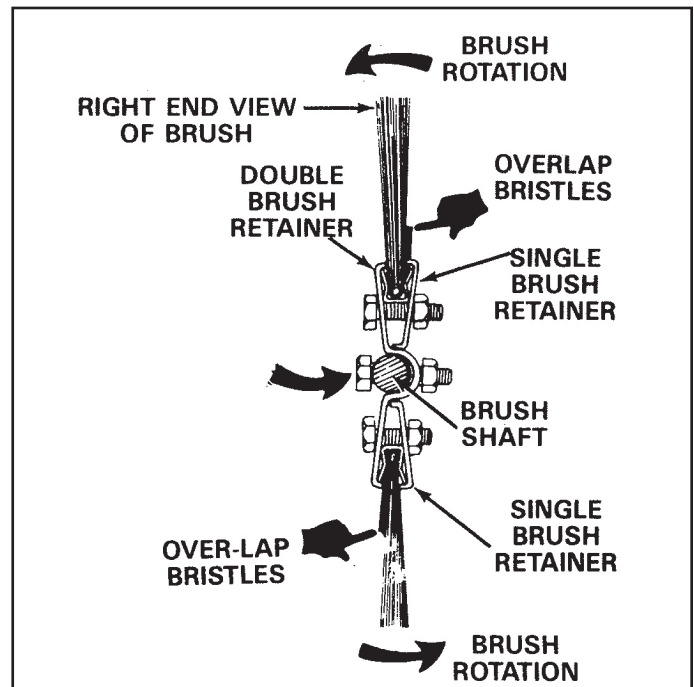
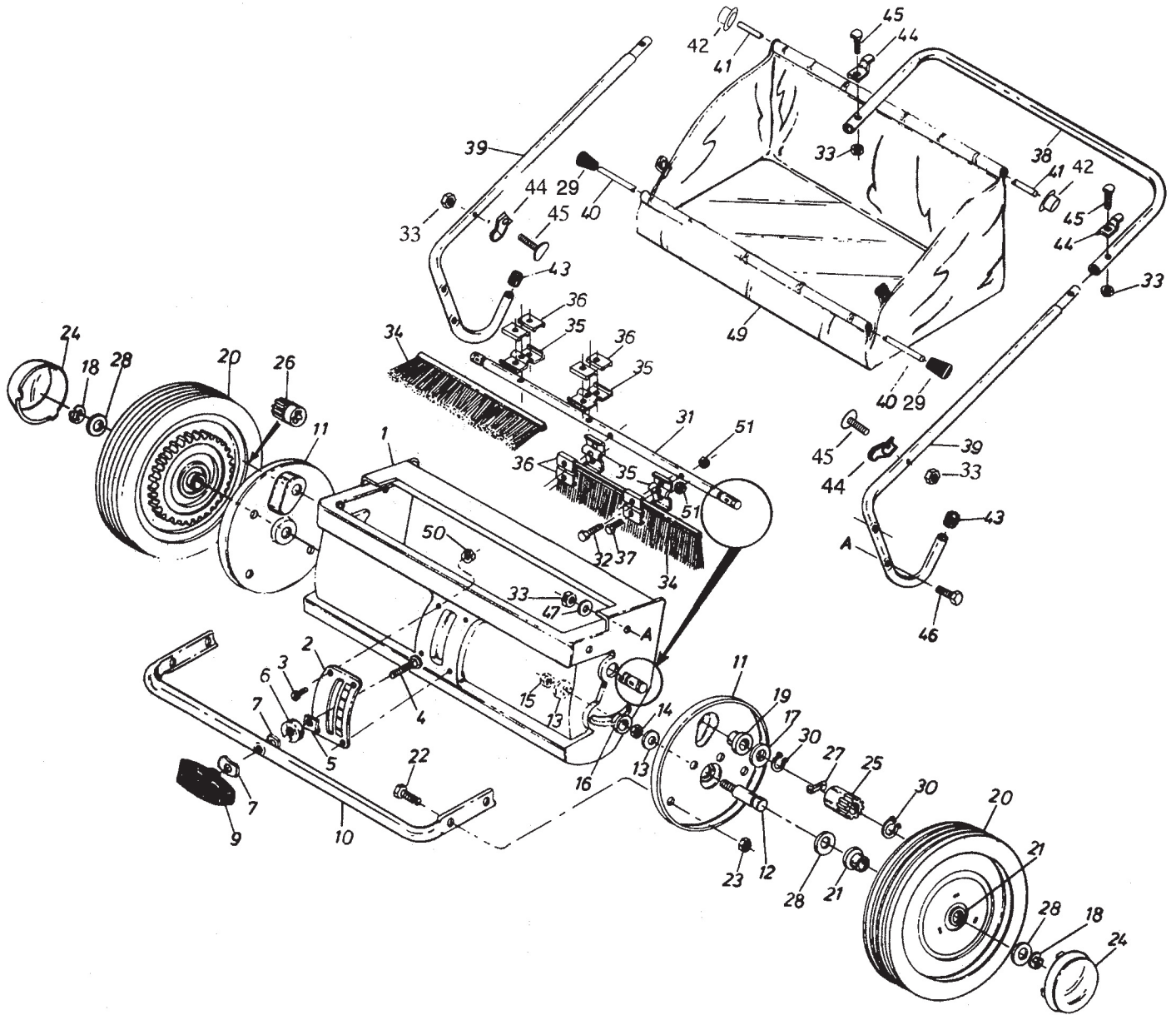


FIGURE 12

# PARTS

## REPAIR PARTS FOR 485.240362 26" LEAF/LAWNSWEEPER





# REPAIR PARTS FOR 485.240362 26" LEAF/LAWNSWEEPER

REF. NO.	PART NO.	QTY.	DESCRIPTION	REF. NO.	PART NO.	QTY.	DESCRIPTION
1	44600	1	Housing	28	44125	4	Flat Washer, .62 x 1"
2	23784	1	Height Adjustment Plate	29	44687	2	Plastic Cap, .207
3	44286	4	Bolt, Hex 10-32 x 5/8"	30	1650-21	4	Retaining Ring, .594
4	43681	1	Bolt, Carriage 5/16-18 x 1-1/2"	31	23782	1	Brush Shaft
5	44680	1	Washer, Nylon	32	43661	4	Bolt, Hex 1/4-20 x 1"
6	1543-69	1	Washer, Nylon 21/64	33	43013	8	Lock Nut, 1/4-20
7	44695	1	Washer, Bowed	34	44681	4	Brush, 13-1/4"
8	R19111116	1	Washer, 11/32 x 11/16	35	23580	4	Brush Retainer, Double Bracket
9	43720	1	Knob, 5/16"	36	23581	8	Brush Retainer, Single Clip
10	44946	1	Height Adjustment Tube	37	43012	8	Bolt, Hex 1/4" x 3/4"
11	23866	2	Dust Cover	38	44603	1	Upper Handle Tube
12	44598	2	Axle	39	44595	2	Handle Leg Tube
13	43070	4	Washer, 3/8"	40	44683	1	Bag Rod, 1/4" x 25-1/2"
14	44684	2	Jam Nut, 3/8-24	41	44682	1	Bag Rod, 1/4" x 28-1/2"
15	1038	2	Nylock Jam Nut, 3/8-24	42	726-0106	2	Palnut, 1/4"
16	44685	2	Shoulder Spacer	43	44688	2	Plastic Cap, 3/4"
17	40007	2	Washer, .596 x 1.125 x .025	44	44696	4	Bag, Rod Clip
18	716-0106	2	"E" Ring, 5/8"	45	43978	4	Bolt, Curved 1.4-20 x 1"
19	44679	2	Flange Bearing, .59	46	1509-90	4	Bolt, Hex 1/4-20 x 1-1/4"
20	49946	2	Wheel Assembly	47	43088	4	Washer, 1/4"
21	741-0249	4	Flange Bearing, .63	49	44694	1	Hopper Bag
22	44692	4	Bolt, Hex 5/16-18 x 1/2"	50	43662	4	Lock Nut, 10-32
23	47810	4	Nylock Nut, 5/16-18	51	47189	12	Nylock Nut, 1/4-20
24	2674-32	2	Black Hub Cap		40258	1	Owner's Manual
25	48651	1	Pinion, L.H.				
26	48652	1	Pinion, R.H.				
27	47046	2	Pin, Drive				

# NOTES



# Get it fixed, at your home or ours!

## Your Home

For repair – **in your home** – of **all** major brand appliances, lawn and garden equipment, or heating and cooling systems, **no matter who made it, no matter who sold it!**

For the replacement parts, accessories and owner's manuals that you need to do-it-yourself.

For Sears professional installation of home appliances and items like garage door openers and water heaters.

**1-800-4-MY-HOME® (1-800-469-4663)**

Call anytime, day or night (U.S.A. and Canada)

[www.sears.com](http://www.sears.com)    [www.sears.ca](http://www.sears.ca)

---

## Our Home

For repair of carry-in items like vacuums, lawn equipment, and electronics, call or go on-line for the location of your nearest

**Sears Parts & Repair Center.**

**1-800-488-1222**

Call anytime, day or night (U.S.A. only)

[www.sears.com](http://www.sears.com)

---

To purchase a protection agreement (U.S.A.) or maintenance agreement (Canada) on a product serviced by Sears:

**1-800-827-6655** (U.S.A.)

**1-800-361-6665** (Canada)

---

Para pedir servicio de reparación a domicilio, y para ordenar piezas:

**1-888-SU-HOGAR®**

(1-888-784-6427)

Au Canada pour service en français:

**1-800-LE-FOYER<sup>MC</sup>**

(1-800-533-6937)

[www.sears.ca](http://www.sears.ca)

