

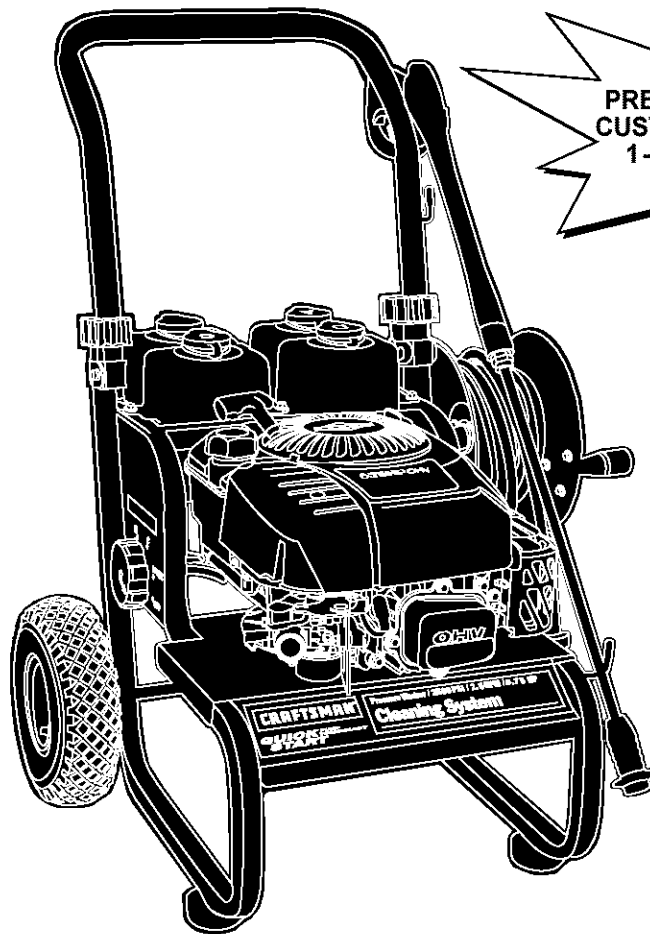
Owner's Manual



6.75 HORSEPOWER
2500 PSI
2.5 GPM

PRESSURE WASHER CLEANING SYSTEM

Model No. 580.767451



HOURS: Mon. - Fri. 8 a.m. to 5 p.m. (CT)

CAUTION: Before using this product, read this manual and follow all Safety Rules and Operating Instructions.

SEARS, ROEBUCK and CO., Hoffman Estates, IL 60179 U.S.A.
Visit our Craftsman website: www.sears.com/craftsman

Part No. 193946GS Draft 0 (10/17/2003)

- Safety
- Assembly
- Operation
- Maintenance
- Parts
- Español



TABLE OF CONTENTS

WARRANTY	2	STORAGE	17-18
SAFETY RULES	2-4	TROUBLESHOOTING.....	19
KNOW YOUR PRESSURE WASHER	5	REPLACEMENT PARTS	20-25
ASSEMBLY	6-8	NOTES	26-28
OPERATION	9-11	EMISSION CONTROL WARRANTY.....	29
MAINTENANCE	12-16	ESPAÑOL.....	30-47
SPECIFICATIONS.....	12	HOW TO ORDER PARTS	BACK PAGE

WARRANTY

LIMITED WARRANTY ON CRAFTSMAN PRESSURE WASHER

For one year from the date of purchase, when this Craftsman pressure washer is maintained and operated according to the instructions in the owner's manual, Sears will repair, free of charge, any defect in material and workmanship.

If this washer is used for commercial purposes, this warranty applies for only 90 days from the date of purchase. If this pressure washer is used for rental purposes, this warranty applies for only 30 days after date of purchase.

This warranty does not cover:

- Expendable items such as spark plugs or air filters, which become worn during normal use.
- Repairs necessary because of operator abuse or negligence, including damage resulting from no water being supplied to pump or failure to maintain the equipment according to the instructions contained in the owner's manual.

Warranty service is available by returning the pressure washer to the nearest Sears service center or dealer in the United States.

This warranty gives you specific legal rights and you may also have other rights, which vary from state to state.

Sears, Roebuck and Co., Dept. 817WA, Hoffman Estates, IL 60179

SAFETY RULES














This is the safety alert symbol. It is used to alert you to potential personal injury hazards. Obey all safety messages that follow this symbol to avoid possible injury or death.



Read this manual carefully and become familiar with your pressure washer. Know its applications, its limitations, and any hazards involved.

The safety alert symbol (▲) is used with a signal word (DANGER, CAUTION, WARNING), a pictorial and/or a safety message to alert you to hazards. **DANGER** indicates a hazard which, if not avoided, *will* result in death or serious injury. **WARNING** indicates a hazard which, if not avoided, *could* result in death or serious injury. **CAUTION** indicates a hazard which, if not avoided, *might* result in minor or moderate injury. **CAUTION**, when used **without** the alert symbol, indicates a situation that could result in equipment damage. Follow safety messages to avoid or reduce the risk of injury or death.

Hazard Symbols and Meanings

		
Toxic Fumes	Electrical Shock	
		
Slippery Surface	Fall	Fluid Injection
		
Fire	Explosion	Hot Surface
		
Moving Parts	Flying Objects	Kickback

In the State of California a spark arrester is required by law (Section 4442 of the California Public Resources Code). Other states may have similar laws. Federal laws apply on federal lands. If you equip the muffler with a spark arrester, it must be maintained in effective working order. You can order a spark arrester through your authorized Sears service dealer.

⚠ WARNING

The engine exhaust from this product contains chemicals known to the State of California to cause cancer, birth defects, or other reproductive harm.

⚠ DANGER



Running engine gives off carbon monoxide, an odorless, colorless, poison gas. Some chemicals or detergents may be harmful if inhaled or ingested, causing severe nausea, fainting or poisoning. Breathing carbon monoxide will cause nausea, fainting or death.

- Operate pressure washer ONLY outdoors.
- Use a respirator or mask whenever there is a chance that vapors may be inhaled.
- Read all instructions packed with mask so you are certain mask will provide necessary protection against inhaling harmful vapors.

⚠ WARNING



Spray contact with electrical wiring can result in electrocution.

- Keep water spray away from electric wiring or fatal electric shock may result.

⚠ WARNING



Use of pressure washer can create puddles and slippery surfaces.



High pressure spray could cause you to fall if you are too close to the cleaning surface.

- Keep spray nozzle between 8 to 24 inches away from cleaning surface.
- Operate this unit on a stable surface.
- Cleaning area should have adequate slopes and drainage to reduce possibility of falls due to slippery surfaces.
- Be extremely careful if you must use pressure washer from a ladder, scaffolding or any other relatively unstable location.
- Firmly grasp spray gun with both hands when using high pressure spray to avoid injury if gun kicks back.

⚠ WARNING



Fuel and its vapors are extremely flammable and explosive.



Fire or explosion can cause severe burns or death.

WHEN ADDING FUEL

- Turn pressure washer OFF and let it cool at least 2 minutes before removing gas cap.
- Fill fuel tank outdoors.
- DO NOT overfill tank. Allow space for fuel expansion.
- Keep fuel away from sparks, open flames, pilot lights, heat, and other ignition sources.
- DO NOT light a cigarette or smoke.

WHEN OPERATING EQUIPMENT

- DO NOT tip engine or equipment at angle which causes fuel to spill.
- DO NOT spray flammable liquids.

WHEN TRANSPORTING OR REPAIRING EQUIPMENT

- Transport/repair with fuel tank EMPTY or with fuel shutoff valve OFF.

WHEN STORING FUEL OR EQUIPMENT WITH FUEL IN TANK

- Store away from furnaces, stoves, water heaters, clothes dryers or other appliances that have pilot light or other ignition source because they can ignite fuel vapors.

⚠ WARNING



The high pressure stream of water that this equipment produces can pierce skin and its underlying tissues, leading to serious injury and possible amputation.

- NEVER aim spray gun at people, animals or plants.
- DO NOT allow CHILDREN to operate pressure washer.
- NEVER repair high pressure hose. Replace it.
- Keep high pressure hose connected to pump and spray gun while system is pressurized.

⚠ WARNING



Running engines produce heat and hot exhaust gases. Temperature of muffler and nearby areas can reach or exceed 150°F (65°C).



Fire or severe burns can occur.

- DO NOT touch hot surfaces.
- Stay clear of exhaust gases.
- Allow equipment to cool before touching.

⚠ WARNING



Starter and other rotating parts can entangle hands, hair, clothing, or accessories.

- DO NOT wear loose clothing, jewelry or anything that may be caught in starter or other rotating parts.
- Tie up long hair and remove jewelry.

⚠ WARNING



Unintentional sparking can result in fire or electric shock.

WHEN ADJUSTING OR MAKING REPAIRS TO YOUR PRESSURE WASHER

- Disconnect spark plug wire from spark plug and place wire where it cannot contact spark plug.

⚠ WARNING



High pressure spray can cause paint chips or other particles to become airborne.

- Always wear eye protection when using equipment or when in vicinity of equipment in use.

⚠ CAUTION

Excessively high or low operating speeds increase risk of injury and damage to pressure washer.

- DO NOT tamper with governed speed.
- DO NOT operate pressure washer above rated pressure.

⚠ CAUTION

A pressure washer produces a high pressure spray which increases risk of injury and damage to unit.

- DO NOT secure spray gun in open position.
- DO NOT leave spray gun unattended while machine is running.
- NEVER use a spray gun which does not have a trigger lock or trigger guard in place and in working order.
- Always be certain spray gun, nozzles and accessories are correctly attached.

CAUTION

High pressure spray may damage fragile items including glass.

- DO NOT point spray gun at glass when in jet spray mode.
- NEVER aim spray gun at plants.

CAUTION

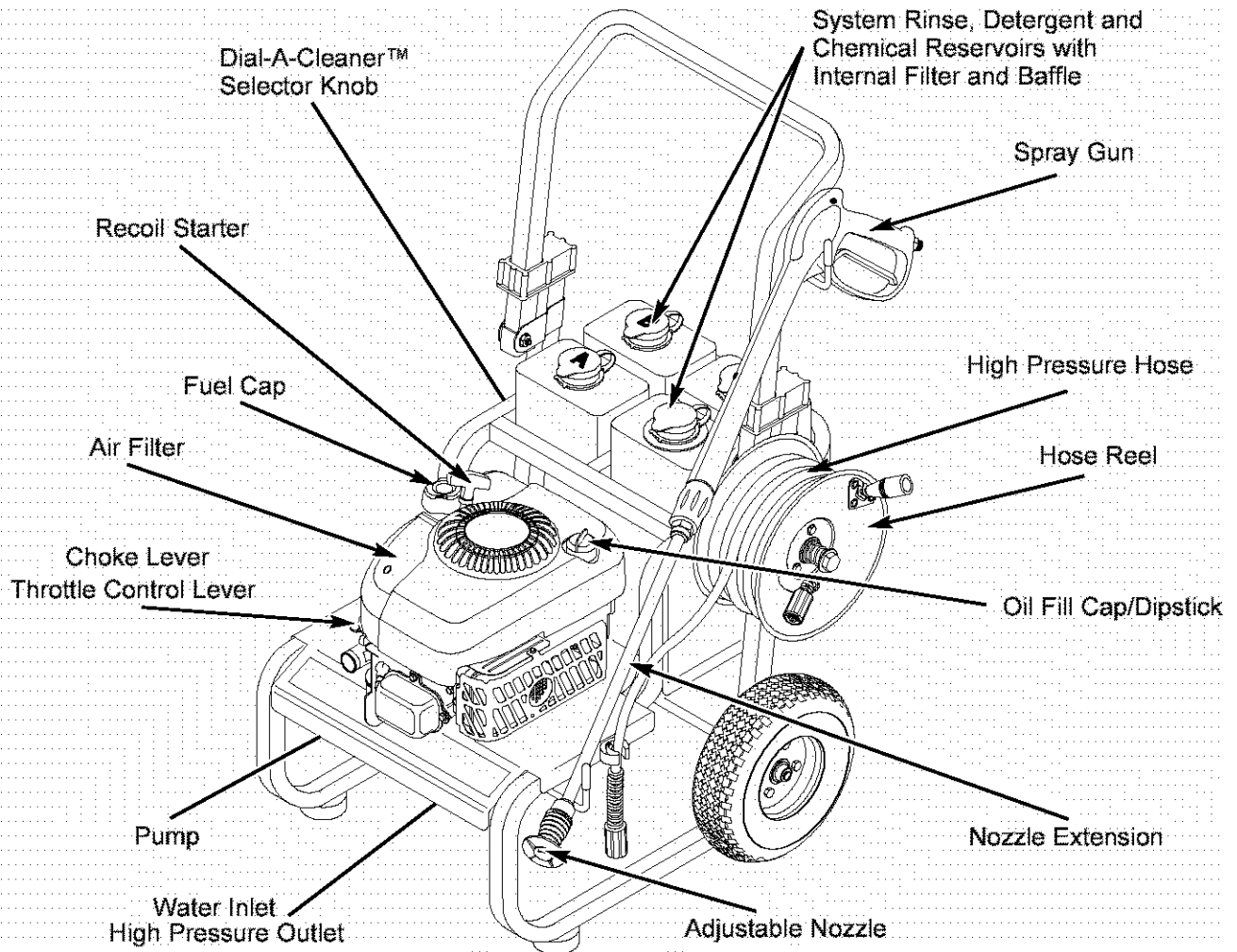
Improper treatment of pressure washer can damage it and shorten its life.

- If you have questions about intended use, ask dealer or contact Sears.
- NEVER operate units with broken or missing parts, or without protective housing or covers.
- DO NOT by-pass any safety device on this machine.
- Before starting pressure washer in cold weather, check all parts of the equipment to be sure ice has not formed there.
- NEVER move machine by pulling on high pressure hose. Use handle provided on unit.
- Check fuel system for leaks or signs of deterioration, such as chafed or spongy hose, loose or missing clamps, or damaged tank or cap. Correct all defects before operating pressure washer.
- This equipment is designed to be used with Sears authorized parts **ONLY**. If equipment is used with parts that DO NOT comply with minimum specifications, user assumes all risks and liabilities.

KNOW YOUR PRESSURE WASHER

Read this owner's manual and safety rules before operating your cleaning system.

Compare the illustrations with your cleaning system to familiarize yourself with the locations of various controls and adjustments. Save this manual for future reference.



Adjustable Nozzle – Always attached to nozzle extension. Adjust for high or low pressure; narrow or fan spray.

Air Filter – Dry type filter element limits the amount of dirt and dust that gets in the engine.

Choke Lever - Used to help start a cold engine.

Dial-A-Cleaner™ Selector Knob – Selects any one of three chemicals or the clean water system rinse.

Fuel Cap – Fill engine with regular unleaded fuel here.

High Pressure Hose – Connect one end to the spray gun and other end to the high pressure outlet.

High Pressure Outlet – Connection for high pressure hose.

Hose Reel — Used for storing hose while unit is not in use. Hose must be detached from pump and spray gun before storage.

Nozzle Extension - Attach to spray gun to use adjustable nozzle.

Oil Fill Cap/Dipstick – Fill engine with oil here. See page 7 for oil recommendations and filling instructions.

Pump – Develops high water pressure.

Recoil Starter – Used for starting the engine.

Spray Gun – Controls the application of water onto cleaning surface with trigger device. Includes safety latch.

System Rinse, Detergent and Chemical Reservoirs with Internal Filter and Baffle – Used to provide detergent or other chemicals to the low pressure water stream.

Throttle Control Lever – Sets engine in starting mode for recoil starter and stops running engine.

Water Inlet – Connection for garden hose.

ASSEMBLY

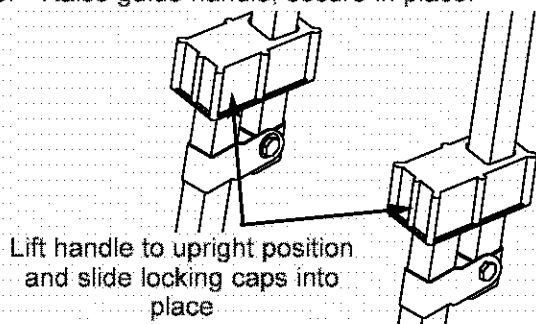
Your cleaning system requires some assembly and is ready for use only after it has been properly serviced with the recommended oil and fuel.

If you have any problems with the assembly of your pressure washer, please call the pressure washer helpline at 1-800-222-3136.

IMPORTANT: Any attempt to run the engine before it has been serviced with the recommended oil will result in an engine failure.

REMOVE PRESSURE WASHER FROM CARTON

1. Open carton and slice two corners opposite guide handle from top to bottom so the panel can be folded down flat.
2. Remove hose reel box, fillers, and parts bag shipped with cleaning system.
3. Remove spray gun, nozzle extension, and engine oil from fillers.
4. Roll cleaning system out open end of carton.
5. Raise guide handle, secure in place.



6. Check carton for additional loose parts.

CARTON CONTENTS

Check all contents. If any parts are missing or damaged, call the pressure washer helpline at 1-800-222-3136.

- Main unit — cleaning system with wheels, chemical tanks, guide handle
- Hose reel components
- High pressure hose
- Spray gun
- Nozzle extension with adjustable nozzle
- Engine oil
- Parts bag (which includes items listed below)
 - Three-pack of chemical concentrates
 - Owner's manual
 - Maintenance kit
 - Tank labels
 - Registration card

Become familiar with each piece before assembling the pressure washer. Identify all contents with the illustration on page 5. If any parts are missing or damaged, call the pressure washer helpline at 1-800-222-3136.

ASSEMBLING CLEANING SYSTEM

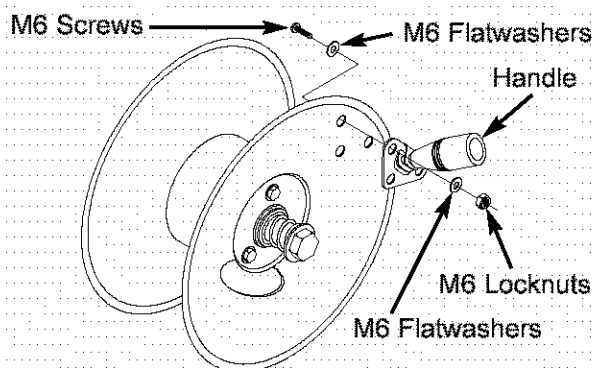
Your Craftsman cleaning system will need assembly before operation:

1. Attach hose reel.
2. Add oil to engine crankcase.
3. Add fuel to fuel tank.
4. Connect high pressure hose to spray gun and pump.
5. Connect water supply to pump.

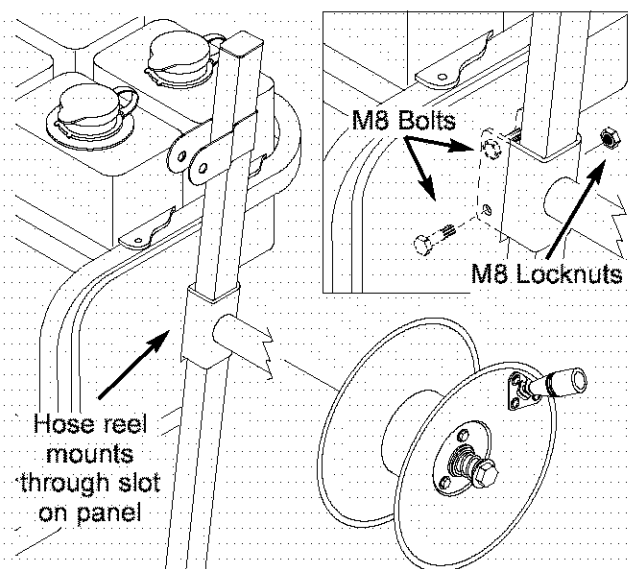
Assembling Hose Reel

Obtain 14mm and 10mm open end wrenches and a #2 phillips screwdriver.

1. Attach handle to reel with locknuts, flatwashers, and bolts as shown.



2. Secure hose reel to left side upright with locknuts and bolts.



NOTE: There may be small tube adapters included with the hose reel kit that are not used on this model.

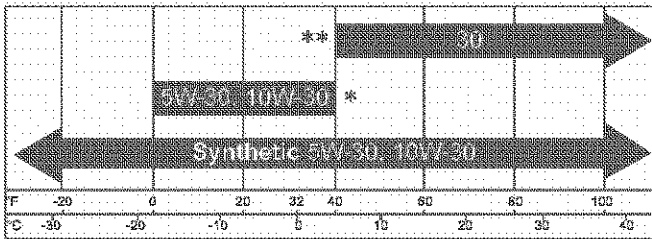
IMPORTANT: You must take the hose off the reel when operating your cleaning system. The reel is for storage purposes only.

Add Engine Oil

IMPORTANT: Any attempt to crank or start the engine before it has been properly serviced with the recommended oil may result in an engine failure.

NOTE: When adding oil to the engine crankcase, use only high quality detergent oil rated with API service classification SF, SG, SH, SJ or higher rated SAE 30 weight. **DO NOT** use special additives.

1. Choose a viscosity according to table below.

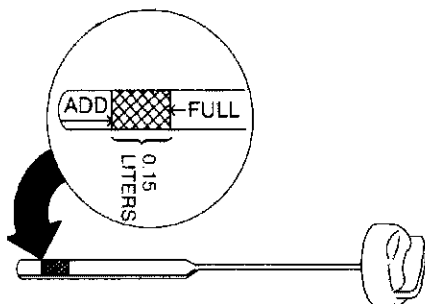


STARTING TEMPERATURE RANGE ANTICIPATED BEFORE NEXT OIL CHANGE

* The use of multi-viscosity oils (5W-30, 10W-30, etc.) in temperatures above 40°F (4°C) will result in higher than normal oil consumption. When using a multi-viscosity oil, check oil more frequently.

** If using SAE 30 oil in temperatures below 40°F (4°C), it will result in hard starting and possible engine bore damage due to inadequate lubrication.

2. Place pressure washer on a level surface.
3. Clean area around oil fill.
4. Remove oil fill cap and dipstick.
5. Wipe dipstick clean, insert it into oil fill hole and tighten securely, remove dipstick. Add recommended oil up to "Full" mark on dipstick.



6. Pour slowly. Wipe dipstick clean each time oil level is checked. **DO NOT** overfill.

NOTE: You may not need to use all the supplied oil.

7. Install oil fill plug and dipstick, tighten securely.

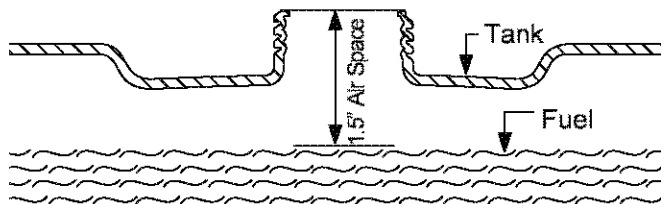
NOTE: Check oil often during engine break-in.

Add Fuel

WARNING! NEVER fill fuel tank indoors. NEVER fill fuel tank when engine is running or hot. Allow unit to cool for two minutes before refueling. **DO NOT** light a cigarette or smoke when filling the fuel tank.

WARNING! NEVER fill fuel tank completely full. Provide space for fuel expansion. Wipe away any fuel spillage from engine and equipment before starting.

1. Use fresh, clean unleaded automotive fuel and store in approved, clean, covered containers. Use clean fill funnels. NEVER use "stale" fuel left over from last season or fuel stored for long periods.
2. Clean area around fuel fill cap, remove cap.
3. Slowly add "UNLEADED" regular fuel to fuel tank. Use a funnel to prevent spillage. Fill tank to about 1.5" below the bottom of the filler neck.



4. Install fuel cap and wipe up any spilled fuel.

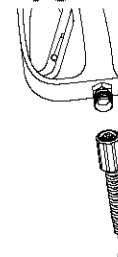
IMPORTANT: It is important to prevent gum deposits from forming in essential fuel system parts, such as the carburetor, fuel filter, fuel hose or tank during storage. Also, experience indicates that alcohol-blended fuels (called gasohol, ethanol or methanol) can attract moisture, which leads to separation and formation of acids during storage. Acidic gas can damage the fuel system of an engine while in storage.

To avoid engine problems, the fuel system should be emptied before storage of 30 days or longer. See "Storage" on pages 17-18. NEVER use engine or carburetor cleaner products in the fuel tank or permanent damage may occur.

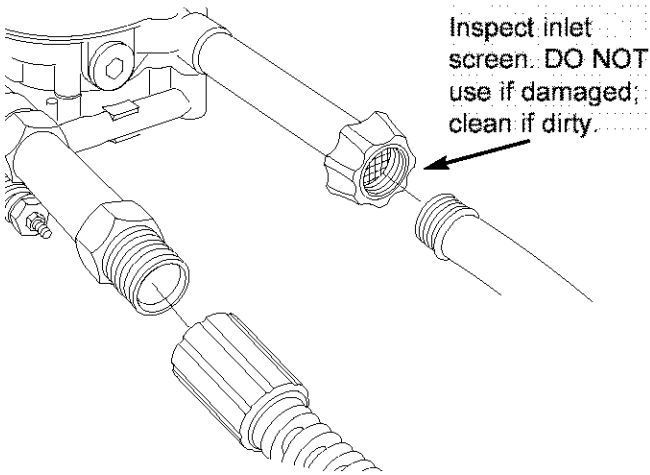
Connect Hose and Water Supply to Pump

IMPORTANT: To avoid pump damage, you must assemble the nozzle extension to the spray gun and attach all hoses before you start the engine.

1. Uncoil high pressure hose and attach one end of hose to base of spray gun. Tighten by hand.



2. Remove and discard shipping caps from pump inlet and outlet.
3. Attach other end of high pressure hose to high pressure outlet on pump. Tighten by hand.



4. Before connecting garden hose to water inlet, inspect inlet screen. Clean screen if it contains debris or have it replaced if damaged. Refer to section "O-Ring Maintenance" if inlet screen is damaged. **DO NOT run pressure washer if inlet screen is damaged.**
5. Run water through garden hose for 30 seconds to flush it of debris. Turn off water.

IMPORTANT: DO NOT siphon standing water for the water supply. Use ONLY cold water (less than 100°F).

6. Connect garden hose (not to exceed 50 feet in length) to water inlet. Tighten by hand.

CAUTION

There **MUST** be at least ten feet of unrestricted garden hose between the pressure washer inlet and any flow shut off device, such as a 'Y' shut-off connector or other convenience-type water shut-off valve.

- Damage to equipment resulting from failure to follow this instruction will void warranty.

7. Turn ON water and squeeze trigger on spray gun to purge pump system of air and impurities.



WARNING



High pressure spray can cause paint chips or other particles to become airborne.

- Always wear eye protection when using this equipment or in vicinity of where equipment is in use.
- Before starting the pressure washer, be sure you are wearing adequate eye protection.

CHECKLIST BEFORE STARTING ENGINE

Review the unit to ensure you have performed all of the following:

1. Check that hose reel fasteners are tight.
2. Check that oil has been added to proper level in engine crankcase.
3. Add proper fuel to fuel tank.
4. Check for proper hose connections (high pressure and water supply) and that there are no kinks, cuts, or damage to the high pressure hose.
5. Provide proper water supply (not to exceed 100°F).
6. Be sure to read "Safety Rules" and "Operation" sections before using the cleaning system.

OPERATION

HOW TO USE YOUR CLEANING SYSTEM

If you have any problems operating your pressure washer, please call the pressure washer helpline at 1-800-222-3136.

To Start Your Cleaning System

To start your engine-powered cleaning system for the first time, follow these instructions step-by-step. This information also applies whenever you start the engine after you have let the pressure washer sit idle for at least a day.

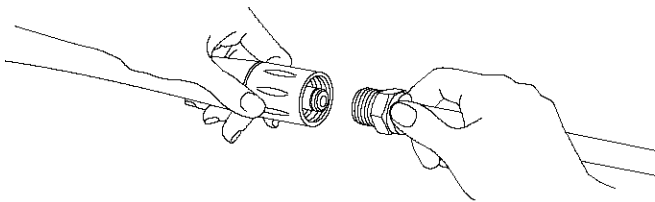
1. Place pressure washer near an outside water source capable of supplying water at a flow rate greater than 3.5 gallons per minute and no less than 20 PSI at pressure washer end of garden hose.
2. Check that high pressure hose is tightly connected to spray gun and pump. See "Assembling Your Pressure Washer" for illustrations.
3. Make sure unit is in a level position.
4. Connect garden hose to water inlet on pressure washer pump. Turn ON water.

CAUTION

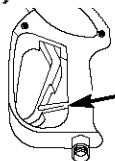
DO NOT run the pump without the water supply connected and turned on.

- Damage to equipment will result from failure to follow this instruction.

5. Squeeze trigger on gun to purge pump system of air and impurities.
6. Attach nozzle extension to spray gun. Tighten by hand.

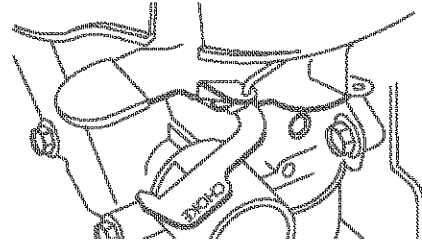


7. Position nozzle in low pressure mode (slide nozzle forward) and squeeze trigger on spray gun to relieve pressure caused by turning ON water. Water will flow out of gun in a thin stream. Continue to hold trigger until there is a steady stream of water and no air remains in system. Release trigger.
8. Engage the safety latch to the spray gun trigger.



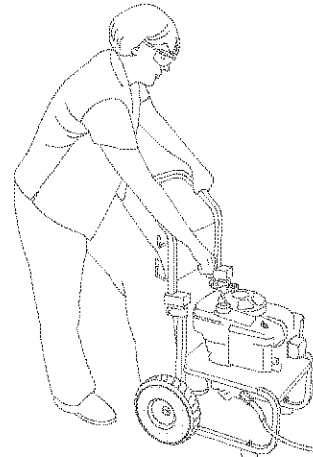
Safety Latch

9. Move the choke lever to the "Choke" position.



NOTE: For a warm engine, be sure the choke lever is in the "Run" position.

10. Move the throttle lever to "Fast" position, shown on unit as a rabbit.
11. Place your left foot on the lower frame and grasp the handle as shown. Your unit may appear slightly different from that shown here.



12. Pull the starter grip handle lightly with your right hand until you feel some resistance, then pull briskly.
13. Return the starter grip handle slowly. DO NOT let rope "snap back" against starter.
14. When engine starts, slowly move choke lever to the "Run" position. If engine falters, move choke lever to the "Choke" position, then to the "Run" position.
15. If engine fails to start after six pulls, move choke lever to the "Run" position. If engine fires, but does not continue to run, move choke lever to the "Choke" position, then to the "Run" position.



CAUTION

Avoid injury from kickback.

- Squeeze trigger on spray gun each time recoil starter is pulled and engine fails to start.

NOTE: Always keep the throttle lever in the "Fast" position when operating the pressure washer.

How to Stop Your Cleaning System

- Move throttle lever to "Stop" position.
- Squeeze trigger on the spray gun to relieve pressure in the hose.

NOTE: A small amount of water will squirt out when you release the pressure.

- Rotate the Dial-A-Cleaner™ selector knob to the OFF position to prevent chemical leakage.

How To Use the Adjustable Nozzle

Now that you know how to **START** and **STOP** your pressure washer, the information in this section will tell you how to adjust the spray pattern and apply detergent or other cleaning chemicals.

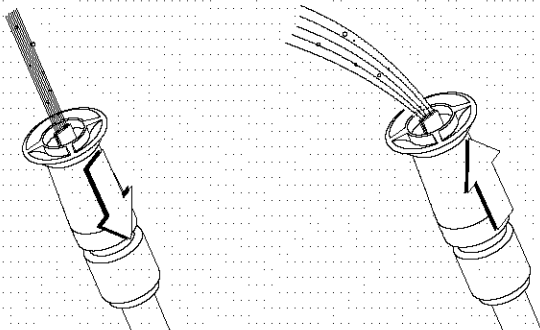
CAUTION

A pressure washer produces a high pressure spray which increases risk of injury and damage to unit.

- NEVER adjust spray pattern when spraying.
- NEVER put hands in front of nozzle to adjust spray pattern.

Your unit is equipped with an adjustable nozzle that permits you to adjust the spray pressure and the spray pattern, as follows:

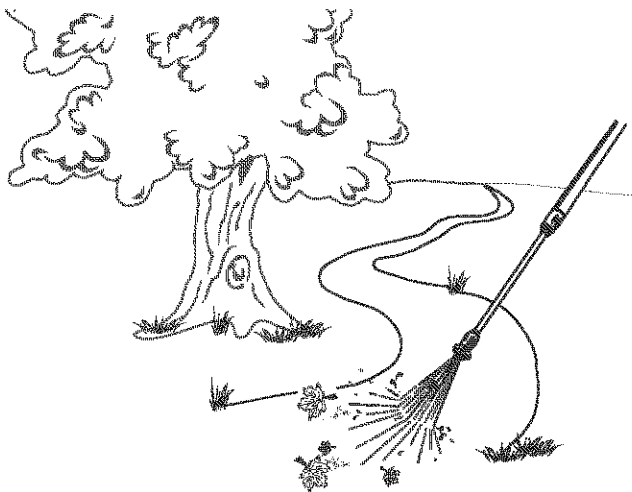
1. Push nozzle forward (backward) to adjust spray pattern for high (low) spray pressure.



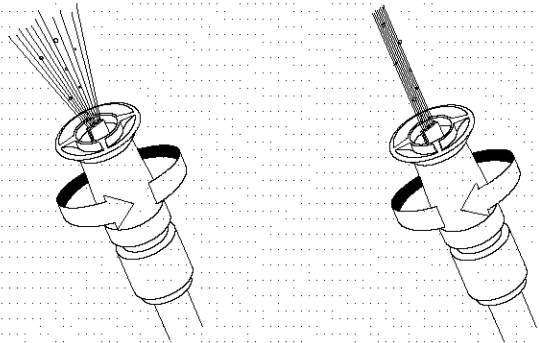
Slide nozzle backward for high pressure mode.

Slide nozzle forward for low pressure mode and detergent application.

2. Point nozzle toward ground, disengage safety latch, and press trigger to test pattern.



3. Twisting nozzle adjusts spray pattern from a narrow pattern to a fan pattern.



Twist nozzle counter-clockwise for fan pattern.

Twist nozzle clockwise for narrow spray pattern.

4. For most effective cleaning, keep spray nozzle from 8 to 24 inches away from cleaning surface.
5. If you get spray nozzle too close, especially using high pressure mode, you may damage surface being cleaned.
6. DO NOT get closer than 6 inches when cleaning tires.

Cleaning With The Adjustable Nozzle

CAUTION! Before starting your cleaning system, make sure you have read and followed the instructions in the sections "Assembling your Cleaning System" and "To Start your Cleaning System".

IMPORTANT: Use chemicals designed specifically for pressure washers. Household detergents could damage the pump.

CAUTION

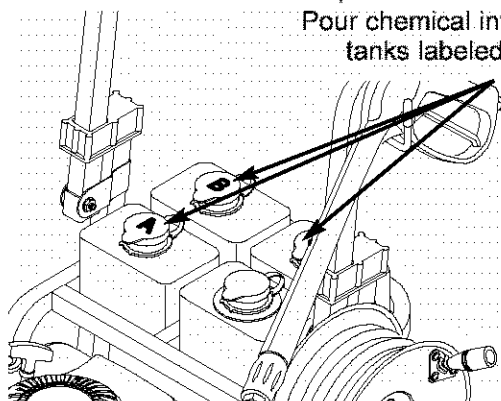
You must attach all hoses before you start the engine.

- Starting the engine without all the hoses connected and without the water turned ON will damage the pump.


Up to three (3) different solutions can be carried with the cleaning system at one time. To apply detergent follow these steps:

1. Dilution is necessary when using supplied chemical packets. Simply snip one corner of plastic pouch, pour chemical into tank, then fill tank with clean water. Label tanks with provided tank labels.

Pour chemical into one of the tanks labeled A, B, C.



- If using another chemical designed for use with pressure washers, prepare chemical solution as required by chemical manufacturer. Fill chemical reservoir(s) with prepared solution as needed.
- Rotate the Dial-A-Cleaner™ selector knob to letter corresponding to desired reservoir.
- Push adjustable nozzle forward to low pressure mode. **Chemical cannot be applied with nozzle in high pressure position.**
- Connect garden hose to water inlet, check that high pressure hose is connected to spray gun and pump (see pages 7-8), and start engine.

WARNING	
	High pressure spray could cause you to fall if you are too close to the cleaning surface.
<ul style="list-style-type: none"> Keep spray nozzle between 8 to 24 inches away from cleaning surface. Operate this unit on a stable surface. Be extremely careful if you must use the pressure washer from a ladder, scaffolding or any other relatively unstable location. Firmly grasp spray gun with both hands when using high pressure spray to avoid injury if gun kicks back. 	

- Start at lower portion of area to be washed and work upward, using long, even overlapping strokes.
- Allow detergent to 'soak in' (between 3-5 minutes) before washing and rinsing. Reapply as needed to prevent surface from drying.

Wash and Rinse Surface

After you have applied detergent, scour the surface with the high pressure water stream and then rinse it clean, as follows:

- Pull adjustable nozzle backward for high pressure mode. Chemical will not flow when in high pressure mode.
- Test a small area of the surface to be cleaned. Make sure there is no surface damage caused by the high pressure spray.
- Expand spray pattern for a more gentle rinsing action. Start at top of area to be rinsed, working down with same action as for cleaning.

Rinse System After Every Use

It is imperative that the chemical dispensing system be rinsed after each use to prevent clogging or leaks:

- Fill System Rinse reservoir with clean water.
- Before disconnecting water supply, start your cleaning system.
- Push nozzle forward for low pressure mode.

- Rotate the Dial-A-Cleaner™ selector knob to letter corresponding to System Rinse tank. As clean rinse water is drawn through the system, continue the flow until no detergent foam is observed.
- Rotate the Dial-A-Cleaner™ selector knob to the **OFF** position when finished to prevent chemical leakage.

Siphoning

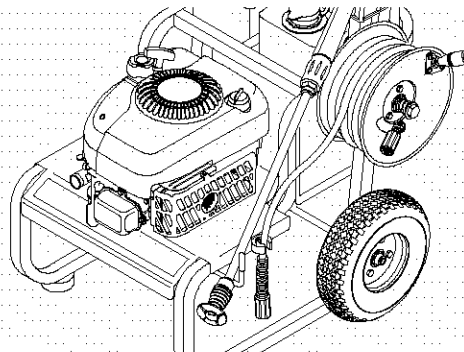
DO NOT siphon standing water for your water supply. Contaminated, brackish or dirty water can damage the pump. Connect only to household water supply.

How to Use the Hose Reel

Your pressure washer is equipped with a hose reel that is designed to store your hose when unit is not in use. These instructions are for short term storage only. For long term storage see "Storage" on page 16.

After each use:

- Disconnect hose from spray gun and high pressure outlet on pump.
- Drain water from hose.
- Slide one end of hose into hole on hose reel. Turn hose reel with handle to coil hose onto reel.



- Push other end of hose into clip on side of unit.

IMPORTANT: DO NOT use your pressure washer with the hose coiled onto the hose reel. The hose reel is for storage purposes only.

Tips

- NEVER use garden hose inlet to siphon detergent or wax.
- If you hold the spray nozzle too far away from the object being cleaned, washing will not be as effective.
- Always store the cleaning system with the Dial-A-Cleaner™ selector knob in the **OFF** position.

Automatic Cool Down System (Thermal Relief)

If you run the engine on your pressure washer for 3-5 minutes without pressing the trigger on the spray gun, circulating water in the pump can reach temperatures above 125°F. The system engages to cool the pump by **discharging the warm water onto the ground.**

MAINTENANCE

OWNER'S RESPONSIBILITIES

Follow the hourly or calendar intervals, whichever occurs first.

More frequent service is required when operating in adverse conditions noted below.

<small>MAINTENANCE SCHEDULE</small> <small>FILL IN DATES AS YOU COMPLETE</small> <small>REGULAR SERVICE</small>	HOURLY OPERATING INTERVAL				SERVICE DATES			
	Before Each Use	Every 25 Hours or Yearly	Every 50 Hours or Yearly	Every 100 Hours or Yearly				
MAINTENANCE TASK								
PRESSURE WASHER								
Check/clean water inlet screen on pump.	X†							
Check high pressure hose.	X							
Check detergent hose.	X							
Check spray gun and assembly for leaks.	X							
Purge pump of air and contaminants.	X							
Change pump oil			X					
ENGINE								
Check oil level.	X							
Service air cleaner.		X**						
Change engine oil.			X*					
Replace spark plug				X				
Service spark arrester			X					
Prepare for storage.	Prepare unit for storage if it is to remain idle for longer than 30 days.							

† Clean if clogged. Replace if perforated or torn.

* Change oil after the first (5) operating hours and every 50 hours thereafter. Change every 25 hours when operating under dirty or dusty conditions.

** Replace more often under dirty or dusty conditions.

PRODUCT SPECIFICATIONS

Pressure Washer Specifications

Pressure 2,500 PSI
 Flow Rate 2.5 GPM
 Chemical Mix Use as directed
 Water Supply Temperature Not to Exceed 100°F
 Shipping Weight 102 lbs.

Engine Specifications

Rated Horsepower 6.75 HP
 Spark Plug Type:
 Resistor Champion RC12YC
 Long Life Platinum Champion RC12PYP
 Set Gap To: 0.020 inches (0.50 mm)
 Fuel Capacity 1.6 Quarts
 Oil
 Above 40°F SAE 30
 0°F - 40°F SAE 5W-30 or 10W-30

GENERAL RECOMMENDATIONS

The pressure washer's warranty does not cover items that have been subjected to operator abuse or negligence. To receive full value from the warranty, the operator must maintain pressure washer as instructed in this manual including proper storage as detailed in "Storage" on pages 17-18.

Some adjustments will need to be made periodically to properly maintain your pressure washer.

All service and adjustments should be made at least once each season. Follow the requirements in the "Maintenance Schedule" chart above.

NOTE: Once a year you should clean or replace the spark plug and replace the air filter. A new spark plug and clean air filter assure proper fuel-air mixture and help your engine run better and last longer.

If equipped with inflatable tires, keep the air pressure at the value marked on the tire or within 15 and 40 psi.

BEFORE EACH USE

- Check engine oil level.
- Check water inlet screen for damage.
- Check high pressure hose for leaks.
- Check chemical tanks and filters for damage.
- Check spray gun and nozzle extension assembly for leaks.
- Purge pump of air and contaminants.



PRESSURE WASHER MAINTENANCE

Check and Clean Inlet Screen

Examine garden hose inlet screen. Clean if it is clogged or replace if it is torn.

Check High Pressure Hose

High pressure hoses can develop leaks from wear, kinking, or abuse. Inspect hose before each use. Check for cuts, leaks, abrasions, bulging of cover, or damage or movement of couplings. If any of these conditions exist, replace hose immediately.

 WARNING	
	The high pressure stream of water that this equipment produces can pierce skin and its underlying tissues, leading to serious injury and possible amputation.
<ul style="list-style-type: none">• NEVER repair high pressure hose. Replace it.• Replacement hose rating MUST exceed maximum pressure rating of unit.	

Check Chemical Reservoirs

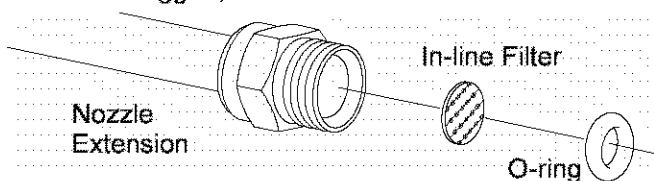
Tank covers should snap cleanly onto tank. Ensure chemical labels correctly identify tank contents. Ensure that the System Rinse tank is filled with clean water. Ensure that Dial-A-Cleaner™ selector knob rotates freely between each position. Examine the tanks and replace if the filter is clogged.

Check Gun and Nozzle extension

Examine hose connection to spray gun and make sure it is secure. Test trigger by pressing it and making sure it springs back into place when you release it. Put safety latch in UP position and test trigger. You should not be able to press trigger. Replace spray gun immediately if it fails any of these tests.

Check In-Line Filter

Refer to the illustration and service the in-line filter if it becomes clogged, as follows:



1. Detach spray gun and nozzle extension from high pressure hose. Detach nozzle extension from spray gun and remove o-ring and screen from nozzle extension. Flush screen, spray gun, and nozzle extension with clean water to clear debris.
2. If screen is damaged, the o-ring kit contains a replacement in-line filter screen and o-ring. If undamaged, reuse screen.
3. Place in-line filter screen into threaded end of nozzle extension. Direction does not matter. Push screen in with eraser end of pencil until it rests flat at bottom of opening. Take care to not bend screen.
4. Place o-ring into recess. Push o-ring snugly against in-line filter screen.
5. Assemble nozzle extension to spray gun, as described earlier in manual.

Purge Pump of Air and Contaminants

To remove air from the pump, follow these steps:

1. Set up cleaning system as described in the "Assembling Your Cleaning System" and connect water supply.
2. Pull trigger on spray gun and hold until a steady stream of water appears.

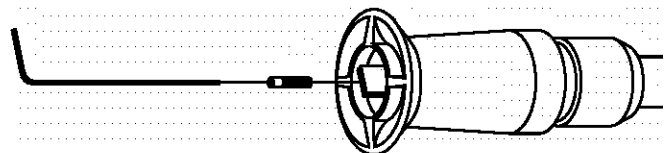
To remove contaminants from the pump, follow these steps:

1. Set up cleaning system as described in "Assembling Your Cleaning System", and connect water supply.
2. Remove nozzle extension from spray gun.
3. Start engine according to instructions in "How To Use Your Cleaning System".
4. Pull trigger on spray gun and hold.
5. When water supply is steady and constant, engage safety latch and refasten nozzle extension.

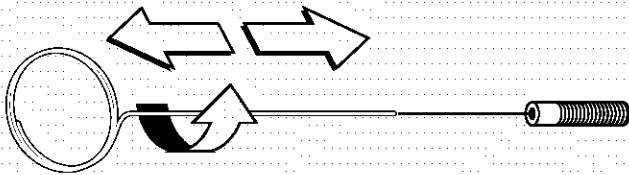
Nozzle Maintenance

A pulsing sensation felt while squeezing the spray gun trigger may be caused by excessive pump pressure. The principal cause of excessive pump pressure is a nozzle clogged or restricted with foreign materials, such as dirt, etc. To correct the problem, immediately clean the orifice following these instructions:

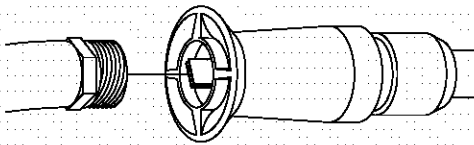
1. Shut off engine and turn off water supply.
2. Detach nozzle extension from spray gun. Twist nozzle clockwise to stream position. Using supplied 2mm (5/64) allen wrench, remove orifice from end of nozzle extension.



3. Remove in-line filter from other end of nozzle extension.
4. Use wire included in kit (or a small paper clip) to free any foreign material clogging or restricting orifice.



5. Using a garden hose, remove additional debris by back flushing water through nozzle extension. Back flush between 30 to 60 seconds. Turn adjustable nozzle extension to stream spray and move nozzle from low to high while flushing.



6. Reinstall orifice and in-line filter into nozzle extension. DO NOT overtighten orifice with allen wrench.
7. Reconnect nozzle extension to spray gun.
8. Reconnect water supply, turn on water, and start engine.
9. Test pressure washer by operating with nozzle in high and low positions.

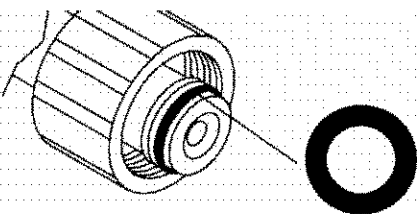
O-Ring Maintenance

Through the normal operation of your cleaning system, o-rings keep the connections of the hoses and spray gun tight and leak-free. These o-rings may become worn or damaged with use.

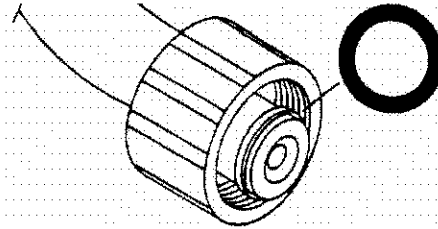
An O-Ring Maintenance Kit is provided with your cleaning system which includes replacement o-rings, rubber washer and water inlet filter. Refer to the instruction sheet provided in the kit to service your unit's o-rings. Note that not all of the parts in the kit will be used on your unit.

Parts in the O-Ring Kit Include:

- 1 o-ring, red, (p/n B2726) for end of spray gun connection between spray gun and nozzle extension.

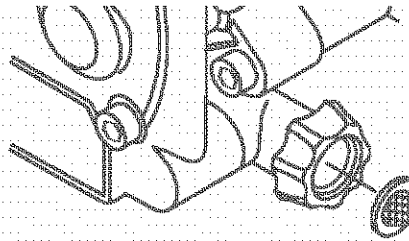


- 1 o-ring, yellow, (p/n B2264) for end of high pressure hose.



NOTE: The previous two o-rings are close in size. Please match carefully to assure proper o-ring usage.

- 1 water inlet screen (p/n B2384) for garden hose connector.



To remove a worn or damaged o-ring:

- Use a small flathead screwdriver to get underneath the o-ring and pry it off.

PUMP MAINTENANCE

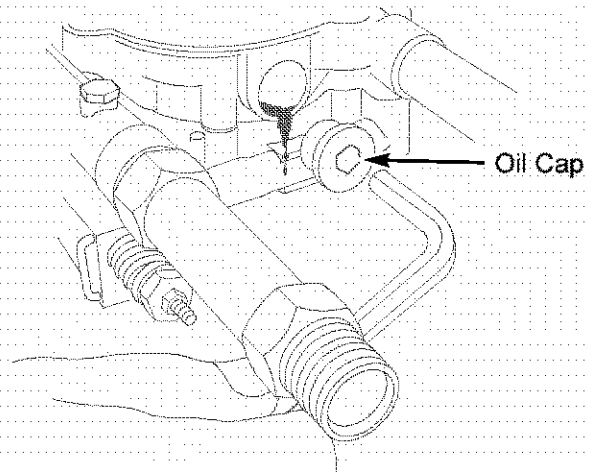
Changing Pump Oil

Change oil every 50 hours or once yearly, whichever occurs first.

NOTE: You must purchase a premeasured bottle of pump oil, item number 190585GS, by calling 1-800-366-PART or online at www.sears.com.

Change pump oil as follows:

1. Drain engine oil and fuel from pressure washer.
2. Use a 8mm allen wrench to remove black pump oil cap between high pressure outlet and garden hose inlet.



3. Tilt pressure washer to drain oil into an approved container until it drips slowly from pump.

4. Tilt pressure washer in opposite direction and empty premeasured pump oil bottle into same opening (a small funnel may be helpful).
5. Install black pump oil cap and tighten firmly.
6. Set pressure washer in upright position. Add fuel and engine oil.


ENGINE MAINTENANCE

Checking Oil Level

Oil level should be checked prior to each use or at least every 5 hours of operation. Keep oil level maintained.

Changing Oil

Change engine oil after the first 5 hours and every 50 hours or annually thereafter. If you are using your pressure washer under extremely dirty or dusty conditions, or in extremely hot weather, change oil every 25 hours.

	CAUTION
Avoid prolonged or repeated skin contact with used motor oil.	
<ul style="list-style-type: none"> • Used motor oil has been shown to cause skin cancer in certain laboratory animals. • Thoroughly wash exposed areas with soap and water. 	



KEEP OUT OF REACH OF CHILDREN.
DON'T POLLUTE. CONSERVE
RESOURCES. RETURN USED OIL TO
COLLECTION CENTERS.

Change oil while engine is still warm from running, as follows:

1. Remove drain plug from the bottom of engine.
2. Drain oil into a suitable container. When crankcase is empty, replace drain plug in engine.

3. Slowly pour oil into oil fill opening. Replace and tighten dipstick, remove and check oil level. Oil level should be at "Full" mark on dipstick. DO NOT overfill above that mark.
4. When engine crankcase is filled to proper level, install and tighten oil cap/dipstick.
5. Wipe up any remaining oil.

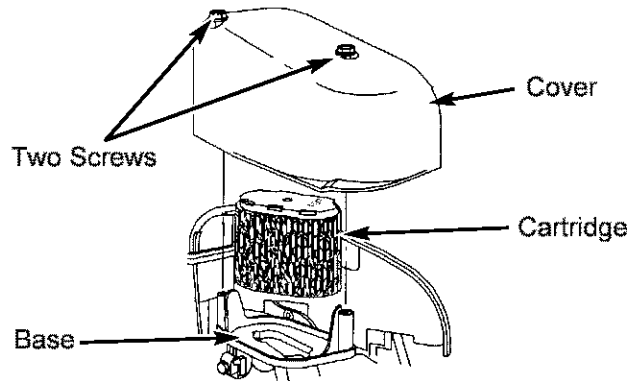
Service Air Cleaner

Your engine will not run properly and may be damaged if you run it with a dirty air cleaner.

Service the air cleaner once every 25 hours of operation or once each year, whichever comes first. Service more often if operating under dirty or dusty conditions. Replacements are available at your local Sears service center.

To service the air cleaner, follow these steps:




1. Loosen two screws and lift off cover.



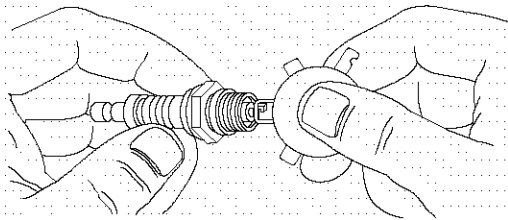
2. Carefully remove air cleaner from base.
3. To clean cartridge, gently tap pleated paper side on a flat surface.
4. Install clean (or new) air cleaner in base. Air cleaner must fit securely in base.
5. Place cover over air cleaner and tighten screws.

Service Spark Plug

Service the spark plug every 100 hours of operation or yearly, whichever occurs first.

 WARNING	
	Unintentional sparking can result in fire or electric shock.
	
WHEN ADJUSTING OR MAKING REPAIRS TO YOUR PRESSURE WASHER	
• Disconnect spark plug wire from spark plug and place wire where it cannot contact spark plug.	

1. Clean area around spark plug.
2. Remove and inspect spark plug.
3. Replace spark plug if the electrodes are worn, or if the insulator is cracked or chipped.
4. For replacement use either the standard resistor spark plug, Champion RC12YC or the long life platinum spark plug, Champion RC12PYP.
5. Check electrode gap with wire feeler gauge and set gap at 0.020 inches (0.50mm), if necessary.



6. Install spark plug, tighten securely.

NOTE: You can purchase a new spark plug by calling 1-800-366-PART.

Carburetor

If you think your carburetor needs adjusting, see your nearest Sears service center. Engine performance may be affected at altitudes above 3000 to 5000 feet. For operation at higher elevations, contact your nearest Sears service center.

Spark Arrester Service

Your engine is not factory-equipped with a spark arrester. In some areas, it is illegal to operate an engine without a spark arrester. Check local laws and regulations. A spark arrester is available from your nearest Sears service center. For the part number call **1-800-366-PART**.

The spark arrester must be serviced every 50 hours to keep it functioning as designed.

If the engine has been running, the muffler will be very hot. Allow the muffler to cool before servicing the spark arrester.

- Remove spark arrester screen for cleaning and inspection.
- Replace if screen is damaged.

STORAGE

AFTER EACH USE

Water should not remain in the unit for long periods of time. Sediments or minerals can deposit on pump parts and "freeze" pump action. Follow these procedures after every use:

1. Flush chemical system by selecting system rinse tank and run pressure washer with nozzle in low pressure mode. Flush for one minute or until chemical is cleared from system.
2. Shut off engine and let it cool, then remove all hoses.
3. Disconnect spark plug wire from spark plug.
4. Empty pump of all pumped liquids by pulling recoil handle about 6 times. This should remove most liquid in pump.
5. Rotate the Dial-A-Cleaner™ selector knob to the OFF position.
6. Coil high pressure hose and inspect it for damage. Cuts in hose or fraying could result in leaks and loss of pressure. Should any damage be found, replace hose. DO NOT attempt to repair a damaged hose. Replace hose with genuine Craftsman part.
7. Disconnect hose from spray gun and high pressure outlet on pump. Drain water from hose, gun, and nozzle extension and wipe off hose with a rag.
8. Slide one end of hose into hole on hose reel. Turn hose reel with handle to coil hose onto reel. Push other end of hose into clip on side of unit.
9. Reconnect spark plug wire to spark plug.
10. Store system in a clean, dry area.



WARNING! NEVER store the engine with fuel in the gas tank indoors or in enclosed, poorly ventilated areas where fumes may reach an open flame, a spark, or pilot light.

WINTER STORAGE

CAUTION

You must protect your unit from freezing temperatures.

- Failure to do so will permanently damage your pump and render your unit inoperable.
- Freeze damage is not covered under warranty.

To protect the unit from freezing temperatures:

1. Empty all chemical reservoirs as follows:
 - a. Disconnect hose connected to chemical inject fitting on pump. Place end of hose into suitable container.
 - b. Move selector knob to Tank A and open that tank's cover. Gravity should shortly empty tank contents into container.
 - c. When tank is empty, repeat step (b) for tanks B and C, using different container for each chemical.
 - d. Reconnect hose to chemical inject fitting on pump. Add 0.5 liter of clean fresh water to each tank and close tank's covers.
2. Flush chemical system by selecting a tank and run pressure washer with nozzle in low pressure mode. Flush until each tank is empty, then switch selector knob to next tank. The last tank to be emptied must be the System Rinse tank.
3. Use PumpSaver, available at Sears retail item number 7174403, to treat pump. This prevents freeze damage and lubricates pistons and seals.
4. If PumpSaver is not available, connect a 3-foot section of garden hose to water inlet adapter. Pour RV-antifreeze (antifreeze without alcohol) into hose. Pull recoil handle twice. Disconnect 3-foot hose.

LONG TERM STORAGE

If you do not plan to use the pressure washer for more than 30 days, you must prepare the engine for long term storage.

It is important to prevent gum deposits from forming in essential fuel system parts such as the carburetor, fuel filter, fuel hose or tank during storage. Also, experience indicates that alcohol-blended fuels (called gasohol, ethanol or methanol) can attract moisture, which leads to separation and formation of acids during storage. Acidic gas can damage the fuel system of an engine while in storage.

Protect Fuel System

Fuel Additive:

If adding a fuel additive, fill the fuel tank with fresh fuel. If only partially filled, air in the tank will promote fuel deterioration during storage. Engine and fuel can be stored up to 24 months with additive.

- Add fuel additive following manufacturer's instructions.
- Connect water supply to pump inlet and turn it ON.
- Run the engine outdoors for 10 minutes to be sure that treated fuel has replaced the untreated fuel in the carburetor.

If fuel additive is not used, remove all fuel from tank and run engine until it stops from lack of fuel.

Change Oil

While engine is still warm, drain oil from crankcase. Refill with recommended grade (see Changing Oil on page 15).

Oil Cylinder Bore

- Remove spark plug. Squirt about 1 ounce (30 ml) of engine oil into the cylinder. Cover spark plug hole with rag. Pull recoil handle slowly to distribute oil. Avoid spray from spark plug hole.
- Install spark plug. DO NOT connect spark plug wire.

Protect Pump

To protect the pump use Sears pump saver to prevent freeze damage and lubricate pistons and seals.

NOTE: Sears pump saver, item number 7174403, is available as an optional accessory. It is not included with the pressure washer.

CAUTION

You must protect your unit from freezing temperatures.

- Failure to do so will permanently damage your pump and render your unit inoperable.
- Freeze damage is not covered under warranty.

To use the pump saver:



CAUTION

Read and follow all cautions and warnings on the PumpSaver can label.

- Always wear eye protection when using PumpSaver.
1. Attach hose on pump saver can to pump inlet.
 2. Push in can top to dispense pump saver.
 3. When pump saver fluid begins to exit pump outlet, the pump is protected.
 4. Remove pump saver from pump inlet.

OTHER

- DO NOT store fuel from one season to another.
- If possible, store your unit indoors and cover it to give protection from dust and dirt. **BE SURE TO EMPTY THE FUEL TANK.**

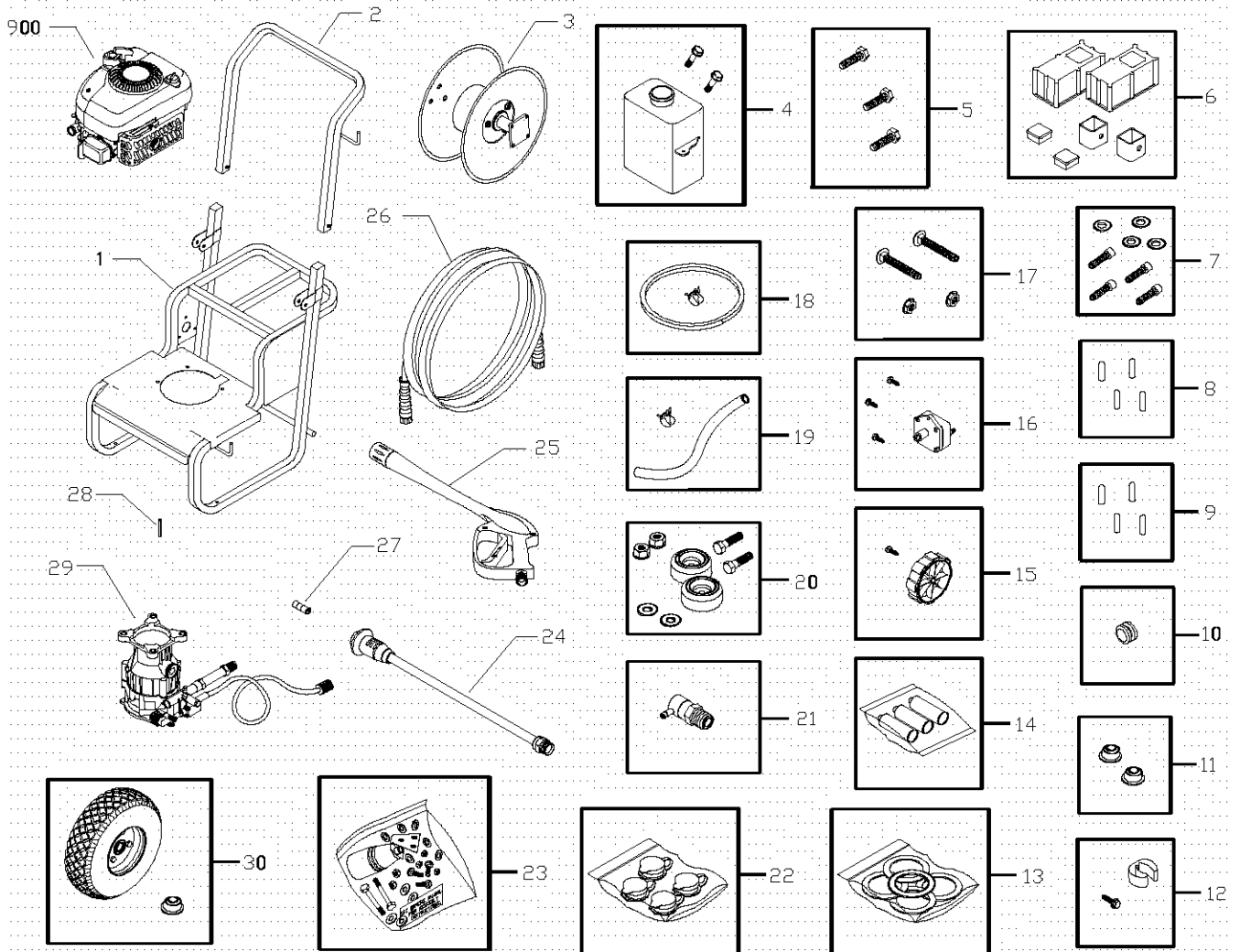
IMPORTANT: NEVER cover your cleaning system while engine and exhaust area are warm.

TROUBLESHOOTING

Problem	Cause	Correction
Pump has following problems: failure to produce pressure, erratic pressure, chattering, loss of pressure, low water volume.	<ol style="list-style-type: none"> 1. Nozzle in low pressure mode. 2. Water inlet is blocked. 3. Inadequate water supply. 4. Inlet hose is kinked or leaking. 5. Clogged inlet hose strainer. 6. Water supply is over 100°F. 7. High pressure hose is blocked or leaks. 8. Gun leaks. 9. Nozzle is obstructed. 10. Pump is faulty. 	<ol style="list-style-type: none"> 1. Pull nozzle backward for high pressure mode. 2. Clear inlet. 3. Provide adequate water flow. 4. Straighten inlet hose, patch leak. 5. Check and clean inlet hose strainer. 6. Provide cooler water supply. 7. Clear blocks in outlet hose. 8. Replace gun. 9. Clean nozzle. 10. Contact Sears service facility.
Detergent fails to mix with spray.	<ol style="list-style-type: none"> 1. Detergent line is collapsed or kinked. 2. Chemical tank filter is clogged. 3. In-line filter is dirty. 4. Nozzle is in high pressure mode. 5. Dial-a-Cleaner™ knob is in off position. 	<ol style="list-style-type: none"> 1. Repair or replace detergent line. 2. Replace tank. 3. See "Check In-Line Filter". 4. Push nozzle forward for low pressure mode. 5. Rotate knob for desired chemical.
Engine runs good at no-load but "bogs" when load is added.	Engine speed is too slow.	Move throttle control to FAST position. If engine still "bogs down", contact Sears service facility.
Engine will not start; or starts and runs rough.	<ol style="list-style-type: none"> 1. Dirty air cleaner. 2. Out of gasoline. 3. Stale gasoline. 4. Spark plug wire not connected to spark plug. 5. Bad spark plug. 6. Water in gasoline. 7. Overchoking. 8. Excessively rich fuel mixture. 9. Intake valve stuck open or closed. 10. Engine has lost compression. 	<ol style="list-style-type: none"> 1. Clean or replace air cleaner. 2. Fill fuel tank. 3. Drain gas tank; fill with fresh fuel. 4. Connect wire to spark plug. 5. Replace spark plug. 6. Drain gas tank; fill with fresh fuel. 7. Open choke fully and crank engine. 8. Contact Sears service facility. 9. Contact Sears service facility. 10. Contact Sears service facility.
Engine shuts down during operation.	Out of gasoline.	Fill fuel tank.
Engine lacks power.	Dirty air filter.	Replace air filter.
Engine "hunts" or falters.	Choke is opened too soon.	Move choke to halfway position until engine runs smoothly.

PARTS

CRAFTSMAN 2500 PSI Cleaning System 580.767451 Main Unit — Exploded View



**CRAFTSMAN 2500 PSI Cleaning System 580.767451
Main Unit — Parts List**

Item	Part #	Description
1	MB5691GS	BASE
2	M191774GS	HANDLE
3	B4992GS	HOSEREEL
4	194061GS	KIT, Chemical Tank
5	192133GS	KIT, Engine Mounting Hardware
6	192140GS	KIT, Handle Connector
7	192131GS	KIT, Pump Mounting Hardware
8	192126GS	KIT, Vinyl Cap, Base
9	192127GS	KIT, Vinyl Cap, Handle
10	30809GS	GROMMET
11	194062GS	KIT, Pushnut
12	194066GS	KIT, Clip Holder
13	B3454GS	KIT, Tags
14	192149GS	KIT, Concentrate, 3 Bottle
15	194063GS	KIT, Knob, 4-Way Valve
16	194064GS	KIT, Subassy, Valve 4-way
17	194065GS	KIT, Handle Hardware
18	194074GS	KIT, Hose, Subassy.
19	194075GS	KIT, Hose, Subassy. (cut to length)
20	192553GS	KIT, Vibration Mount
21	21783GS	VALVE, Thermal Relief
22	194076GS	KIT, Caps, Chemical Containers
23	186317GS	KIT, Hose Reel Mounting Hardware
24	190937AGS	ASSY, Wand Adjustable Nozzle
25	B3263GS	GUN
26	190246GS	HOSE
27	94804GS	ORIFICE
28	23139DGS	KEY
29	194059GS	ASSY, Pump (see pages 22-23)
30	192526GS	KIT, Wheel
900	NSP	ENGINE

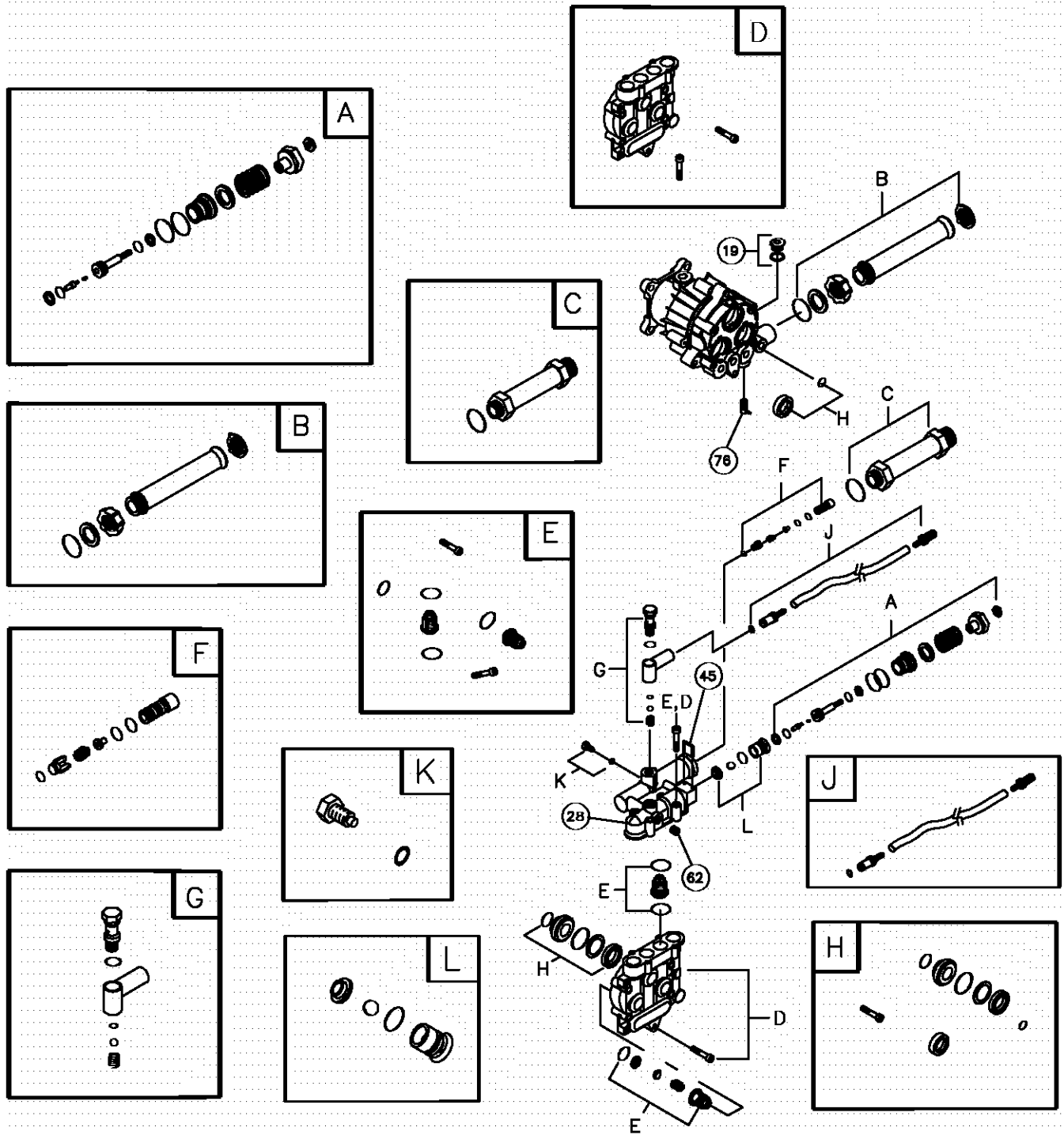
Items Not Illustrated

Part #	Description
AB3061BGS	BOTTLE, Oil
191922GS	KIT, O-Ring Maintenance
193946GS	MANUAL, Owners
194011GS	KIT, Decal Service

Optional Accessories Not Illustrated

7175187GS	Garden Hose Quick Connect
7175197GS	Accessory Quick Connect
7175199GS	Rotating Brush Kit
7175115GS	25' Replacement Hose
7175116GS	O Ring Repair Kit
7174400GS	Turbo Nozzle
7174401GS	25' Extension Hose
7174403GS	Pump Saver
7174300GS	House Wash Concentrate (makes 4 gallons)
7174301GS	Deck Wash Concentrate (makes 2 gallons)
7174302GS	Vehicle/Boat Wash Concentrate (makes 4 gallons)
7174303GS	Degreaser Concentrate (makes 4 gallons)
7174307GS	Mold/Mildew Concentrate (makes 2 gallons)

CRAFTSMAN 2500 PSI Cleaning System 580.767451
Pump — Exploded View

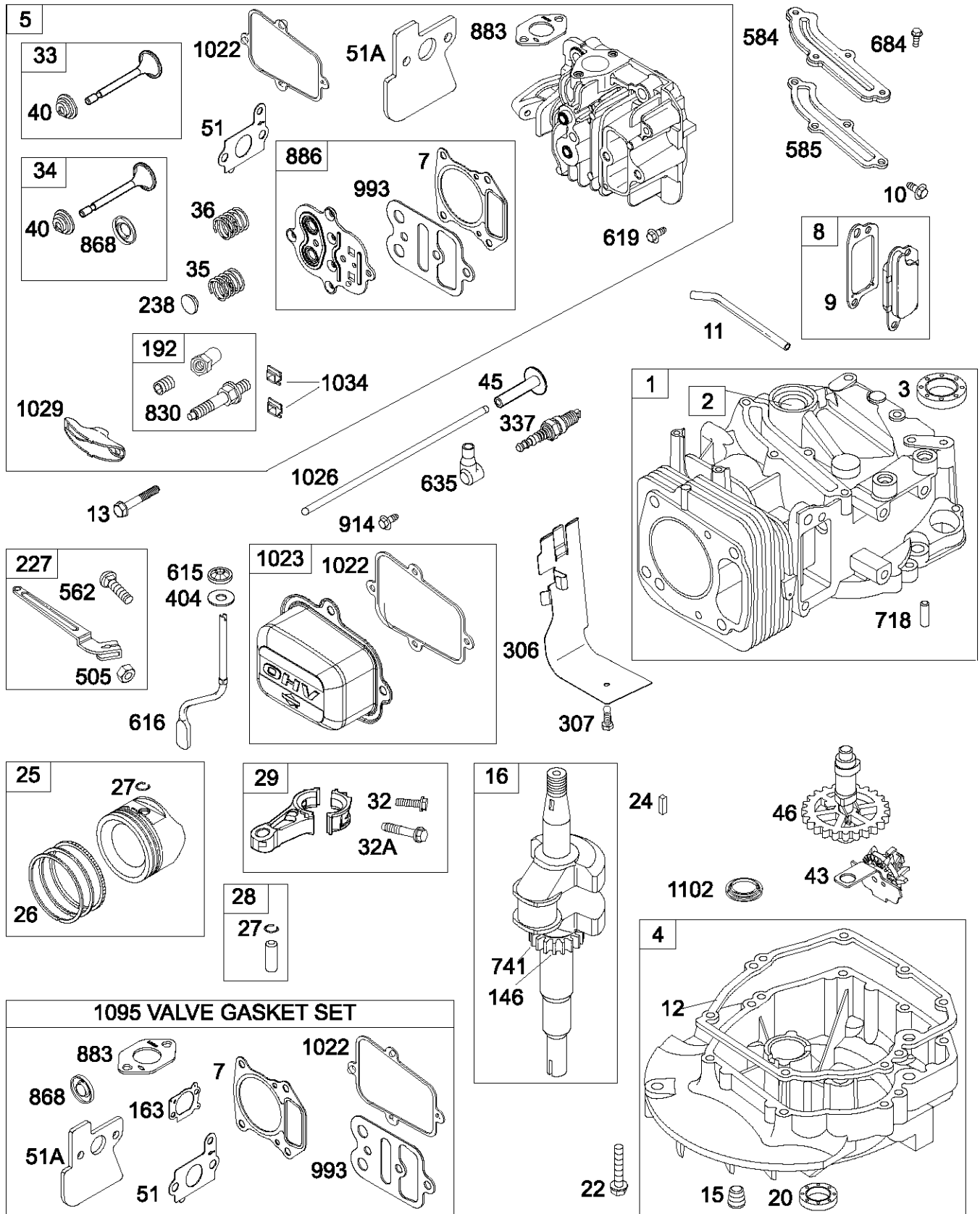


**CRAFTSMAN 2500 PSI Cleaning System 580.767451
Pump — and Parts List**

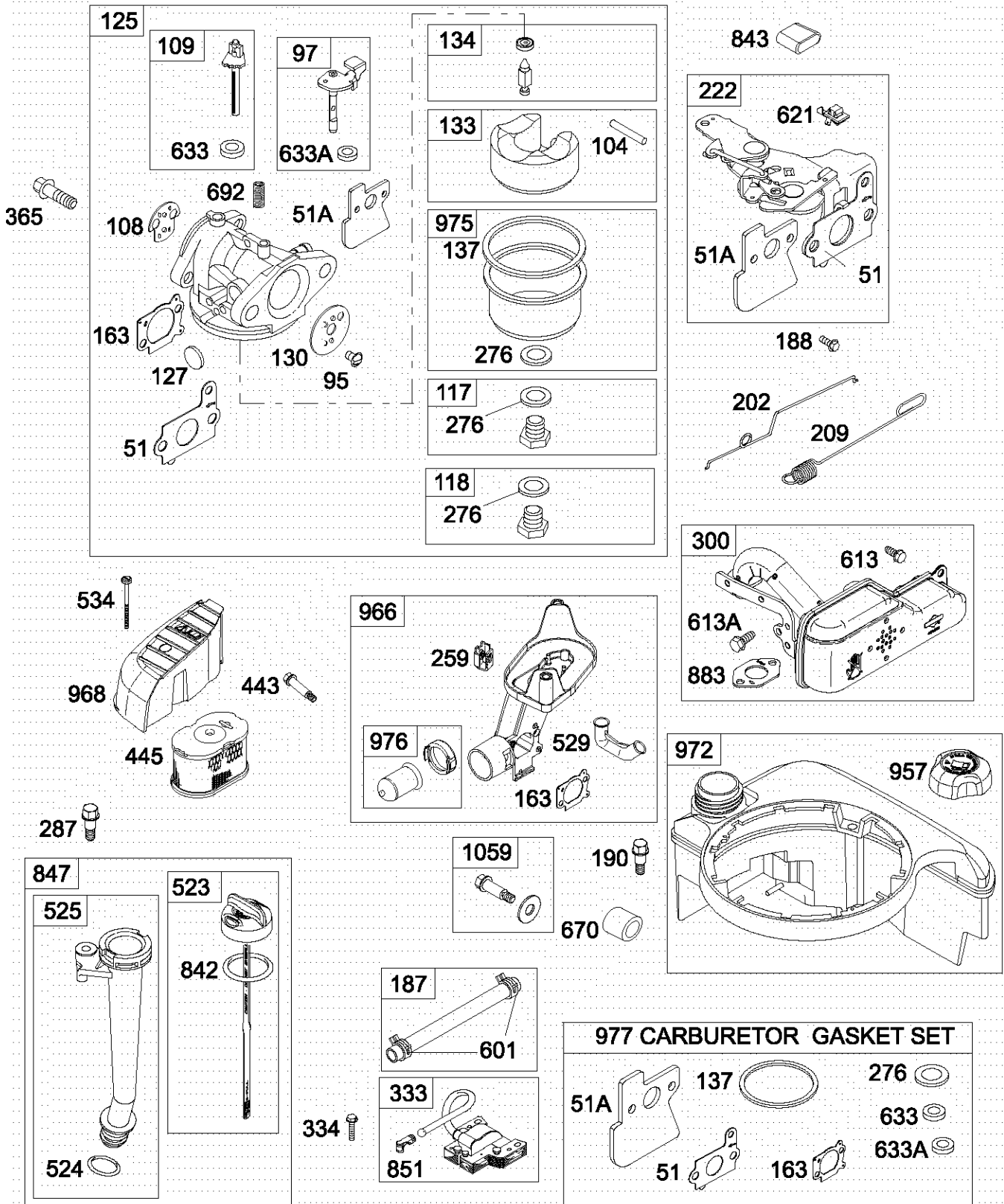
Item	Part #	Description
19	190571GS	CAP, Oil
28	190574GS	MANIFOLD
45	190578GS	PIN
62	190581GS	CAP
76	21783GS	THERMAL RELIEF
77	190585GS	OIL BOTTLE (not shown)
A	190594GS	KIT, UNLOADER
B	190588GS	KIT, WATER INLET, ANODIZED
C	190589GS	KIT, OUTLET, ANODIZED
D	193808GS	KIT, HEAD BRASS
E	193806GS	KIT, CHECK VALVES
F	190592GS	KIT, INLET CHECK
G	190593GS	KIT, CHEMICAL INJECTION
H	193807GS	KIT, SEAL SET
J	189971GS	KIT, CHEMICAL HOSE
K	193971GS	KIT, PIPE FITTING
L	193972GS	KIT, UNLOADER SEAT

NOTE: Item letters A - L are service kits and include all parts shown within the box.

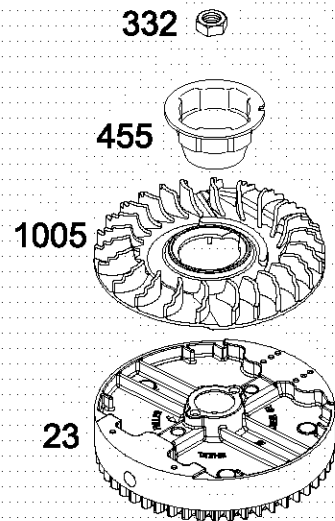
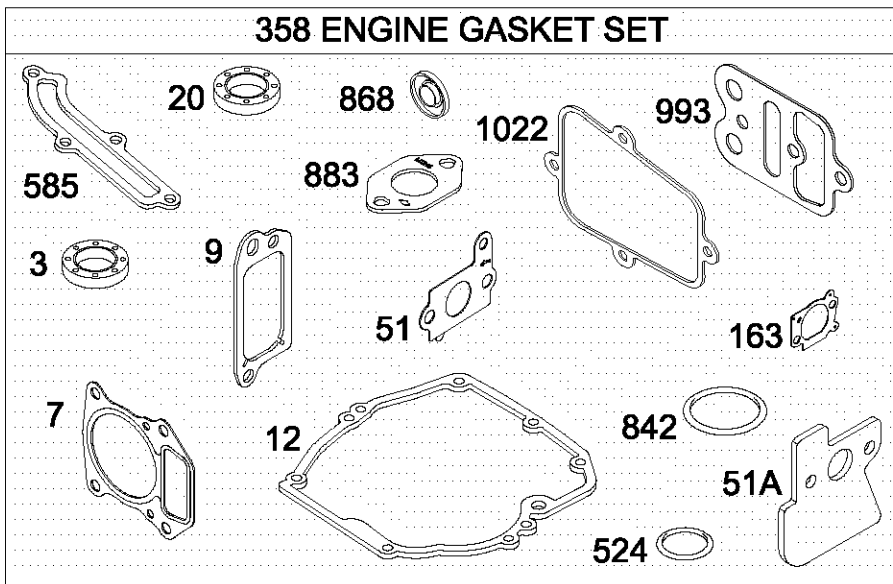
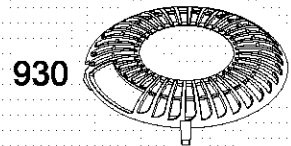
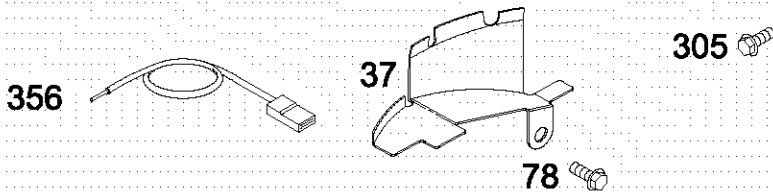
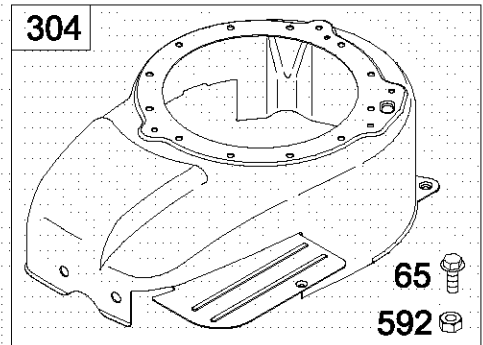
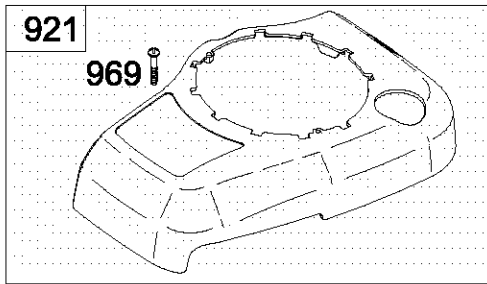
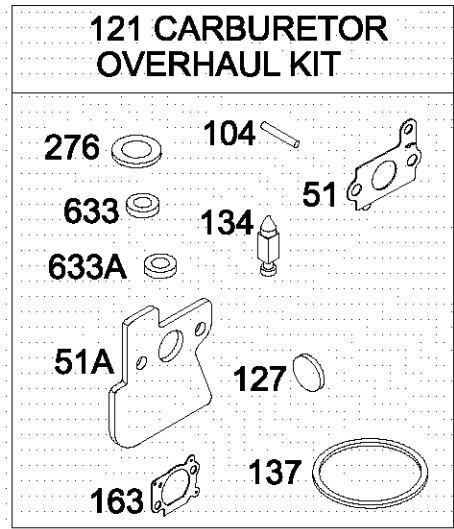
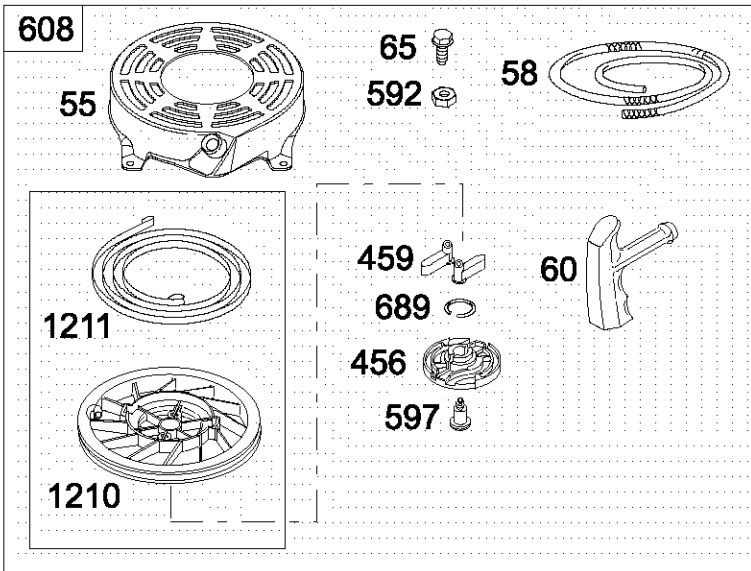
ENGINE, 6.75 HP, Briggs and Stratton, 128612 – Exploded View



ENGINE, 6.75 HP, Briggs and Stratton, 128612 – Exploded View



ENGINE, 6.75 HP, Briggs and Stratton, 128612 – Exploded View



ENGINE, 6.75 HP, Briggs and Stratton, 128612 – Parts List

Item	Part #	Description	Item	Part #	Description
1	692670	Cylinder Assembly	305	691108	Screw (Blower Housing)
2	399269	Kit-Bushing/Seal (Magneto Side)	306	691232	Shield-Cylinder
3	299819	Seal-Oil (Magneto Side)	307	690345	Screw (Cylinder Shield)
4	498983	Sump-Engine	332	690662	Nut (Flywheel)
5	695276	Head-Cylinder	333	802574	Armature-Magneto
7	695166	Gasket-Cylinder Head	334	691061	Screw (Magneto Armature)
8	495786	Breather Assembly	337	692051	Plug-Spark
9	272481	Gasket-Breather	For Platinum equivalent-696073-use 5066, 4173, or 4174		
10	691125	Screw (Breather Assembly)	sold in multi-packs only. Reset gap to .020")		
11	691260	Tube-Breather	356	692390	Wire-Stop
12	692232	Gasket-Crankcase	358	694090	Gasket Set-Engine
13	691137	Screw (Cylinder Head)	365	691136	Screw (Carburetor)
15	691680	Plug-Oil Drain	404	690272	Washer (Governor Crank)
16	691457	Crankshaft	443	690255	Screw (Air Cleaner Primer Base)
20	399781	Seal-Oil (PTO Side)	445	697029	Filter-Air Cleaner Cartridge
22	691092	Screw (Engine Sump)	455	695161	Cup-Flywheel
23	697586	Flywheel	456	692299	Retainer-Spring
24	222698	Key-Flywheel	459	281505	Plate-Pawl Friction
25	690021	Piston Assembly (Standard)	505	231082	Nut (Governor Control Lever)
	694167	Piston Assembly (.010" Oversize)	523	499621	Dipstick
	694168	Piston Assembly (.020" Oversize)	524	692296	O Ring Seal (Dipstick)
	694169	Piston Assembly (.030" Oversize)	525	495265	Dipstick Tube
26	499631	Ring Set (Standard)	529	692937	Grommet
	692785	Ring Set (.010" Oversize)	534	690244	Screw (Air Cleaner Cover)
	692786	Ring Set (.020" Oversize)	62	92613	Bolt (Governor Control Lever)
	692787	Ring Set (.030" Oversize)	584	692342	Cover-Breather Passage
27	691866	Lock-Piston Pin	585	691879	Gasket-Breather Passage
28	499423	Pin-Piston	592	690800	Nut (Rewind Starter)
29	499424	Rod-Connecting	597	691696	Screw (Pawl Friction Plate)
32	691664	Screw (Connecting Rod)	601	95162	Clamp-Hose
32A	695759	Screw (Connecting Rod)	608	497680	Starter-Rewind
33	499642	Valve-Exhaust	613	691108	Screw (Muffler)
34	499641	Valve-Intake	613A	691140	Screw (Muffler)
35	691304	Spring-Valve (Intake)	615	690340	Retainer-Governor Shaft
36	691304	Spring-Valve (Exhaust)	616	691308	Crank-Governor
37	694086	Guard-Flywheel	619	691108	Screw (Cylinder Head Plate)
40	692194	Retainer-Valve	621	692310	Switch-Stop
43	691997	Slinger-Governor/Oil	633	693867	Seal-Choke/Throttle Shaft
45	690977	Tappet-Valve	633A	691321	Seal-Choke/Throttle Shaft
46	694039	Camshaft	635	66538	Boot-Spark Plug
51	692668	Gasket-Intake	670	692294	Spacer-Fuel Tank
51A	692799	Gasket-intake	684	690345	Screw (Breather Passage Cover)
55	691421	Housing-Rewind Starter	689	691855	Spring-Friction
58	692259	Rope-Starter (Cut to Required Length)	692	690572	Spring-Detent
60	281434	Grip-Starter Rope	718	690959	Pin-Locating
65	690837	Screw (Rewind Starter)	741	691830	Gear-Timing
78	691108	Screw (Flywheel Guard)	830	694544	Stud-Rocker Arm
95	691636	Screw (Throttle Valve)	842	691031	Seal-O Ring (Dipstick Tube)
97	499682	Shaft-Throttle	843	691884	Lever-Sleeve
104	691242	Pin-Float Hinge	847	692047	Dipstick/Tube Assembly
108	691182	Valve-Choke	851	493880	Terminal-Sparkplug
109	693866	Shaft-Choke	868	692044	Seal-Valve
117	498978	Jet-Main (Standard)	883	691893	Gasket-Exhaust
118	497466	Jet-Main (High Altitude)	886	696268	Gasket Kit-Cylinder Head/Plate
121	692703	Kit-Carburetor Overhaul	914	691108	Screw (Rocker Cover)
125	694203	Carburetor	921	692699	Cover-Blower Housing
127	694468	Plug-Welch	930	692691	Guard-Rewind
130	691203	Valve-Throttle	957	692046	Cap-Fuel Tank
133	398187	Float-Carburetor	966	690243	Base- Air Cleaner Primer
134	398188	Kit-Needle/Seat	968	692692	Cover-Air Cleaner
137	693981	Gasket-Float Bowl	969	691138	Screw (Blower Housing Cover)
146	690979	Key-Timing	972	499618	Tank-Fuel
163	691894	Gasket-Air Cleaner	975	493640	Bowl-Float
187	691050	Line-Fuel (Cut to Required Length)	976	694395	Primer-Carburetor
188	691147	Screw (Control Bracket)	977	692704	Gasket Set-Carburetor
190	690940	Screw (Fuel Tank)	993	694088	Gasket-Cylinder Head Plate
192	694543	Ball-Rocker Arm	1005	691346	Fan-Flywheel
202	691303	Link-Mechanical Governor	1022	691890	Gasket-Rocker Cover
209	691290	Spring-Governor	1023	499624	Cover-Rocker
222	692618	Bracket-Control	1026	692045	Rod-Push
227	690783	Lever-Governor Control	1029	691230	Rocker Arm
238	691300	Cap-Valve	1034	691343	Guide-Push Rod
259	691189	Bracket-Casing Clamp	1059	692311	Screw/Washer Kit
276	271716	Washer-Sealing	1095	694091	Valve Gasket Set
287	690940	Screw (Dipstick Tube)	1102	691255	Guide-Pilot
300	697590	Muffler	1210	498144	Pulley/Spring Assembly (Pulley)
304	499676	Housing-Blower	1211	498144	Pulley/Spring Assembly (Spring)

NOTES

EMISSION CONTROL SYSTEM WARRANTY

Sears, Roebuck and Co., U.S.A. (Sears), the California Air Resources Board (CARB) and the United States Environmental Protection Agency (U.S.EPA)

Emission Control System Warranty Statement (Owner's Defect Warranty Rights and Obligations)

EMISSION CONTROL WARRANTY COVERAGE IS APPLICABLE TO CERTIFIED ENGINES PURCHASED IN CALIFORNIA IN 1995 AND THEREAFTER WHICH ARE USED IN CALIFORNIA, AND TO CERTIFIED MODEL YEAR 1997 AND LATER ENGINES WHICH ARE PURCHASED AND USED ELSEWHERE IN THE UNITED STATES (AND AFTER JANUARY 1, 2001 IN CANADA).

California and U.S. EPA Emission Control Warranty Statement Your Warranty Rights and Obligations

The California Air Resources Board (CARB), U.S.EPA and Sears are pleased to explain the Emission Control System Warranty on your model year 2000 and later small off-road engine (SORE). In California, new small off-road engines must be designed, built and equipped to meet the State's stringent anti-smog standards. Elsewhere in the United States, new non-road, spark-ignition engines certified for model year 1997 and later, must meet similar standards set forth by the U.S.EPA. Sears must warrant the emission control system on your engine for the periods of time listed below, provided there has been no abuse, neglect, or improper maintenance of your small off-road engine.

Your emission control system may include parts such as the carburetor or fuel-injection system, the ignition system, and catalytic converter. Also included may be hoses, belts, connectors and other emission related assemblies.

Where a warrantable condition exists, Sears will repair your small off-road engine at no cost to you including diagnosis, parts and labor.

Sears Emission Control Defects Warranty Coverage

The 1995 and later small off-road engines are warranted for two years. If any emission-related part on your engine is defective, the part will be repaired or replaced by Sears.

Owner's Warranty Responsibilities

As the small off-road engine owner, you are responsible for the performance of the required maintenance listed in this owner's manual. Sears recommends that you retain all your receipts covering maintenance on your small off-road engine, but Sears cannot deny warranty solely for the lack of receipts or for your failure to ensure the performance of all scheduled maintenance.

As the small off-road engine owner, you should however be aware that Sears may deny you warranty coverage if your small off-road engine or a part has failed due to abuse, neglect, improper maintenance or unapproved modifications.

You are responsible for presenting your small off-road engine to an approved Sears Service Center as soon as a problem exists. The warranty repairs should be completed in a reasonable amount of time, not to exceed 30 days.

If you have any questions regarding your warranty rights and responsibilities, you should contact a Sears Service Representative at 1-800-469-4663.

Sears Emission Control Defects Warranty Provisions

The following are specific provisions relative to your Emission Control Defects Warranty Coverage.

1. Warranted Parts

Coverage under this warranty extends only to the parts listed below (the emission control systems parts) to the extent these parts were present on the engine purchased.

- a. Fuel Metering System
 - Cold start enrichment system
 - Carburetor and internal parts
 - Fuel Pump
- b. Air Induction System
 - Air cleaner
 - Intake manifold
- c. Ignition System
 - Spark plug(s)
 - Magneto ignition system
- d. Catalyst System
 - Catalytic converter
 - Exhaust manifold
 - Air injection system or pulse valve
- e. Miscellaneous Items Used in Above Systems
 - Vacuum, temperature, position, time sensitive valves and switches
 - Connectors and assemblies

2. Length of Coverage

Sears warrants to the initial owner and each subsequent owner that the Warranted Parts shall be free from defects in materials and workmanship which caused the failure of the Warranted Parts for a period of two years from the date the engine is delivered to a retail purchaser.

3. No Charge

Repair or replacement of any Warranted Part will be performed at no charge to the owner, including diagnostic labor which leads to the determination that a Warranted Part is defective, if the diagnostic work is performed at an approved Sears Service Center.

4. Claims and Coverage Exclusions

Warranty claims shall be filed in accordance with the provisions of the Sears Warranty Policy. Warranty coverage shall be excluded for failures of Warranted Parts which are not original Sears parts or because of abuse, neglect or improper maintenance as set forth in the Sears Engine Warranty Policy. Sears is not liable to cover failures of Warranted Parts caused by the use of add-on, non-original, or modified parts.

5. Maintenance

Any Warranted Part which is not scheduled for replacement as required maintenance or which is scheduled only for regular inspection to the effect of "repair or replace as necessary" shall be warranted as to defects for the warranty period. Any Warranted Part which is scheduled for replacement as required maintenance shall be warranted as to defects only for the period of time up to the first scheduled replacement for that part. Any replacement part that is equivalent in performance and durability may be used in the performance of any maintenance or repairs. The owner is responsible for the performance of all required maintenance, as defined in this owner's manual.

6. Consequential Coverage

Coverage hereunder shall extend to the failure of any engine components caused by the failure of any Warranty Part still under warranty.

In the USA and Canada, a 24-hour hotline, 1-800-469-4663, has a menu of pre-recorded messages offering you product maintenance information.

TABLA DE CONTENIDOS

GARANTIA	30	ESPECIFICACIONES	40
INSTRUCCIONES DE SEGURIDAD	30-32	ALMACENAMIENTO	44-45
CONOZCA SU MAQUINA LAVADORA DE PRESIÓN	33	REPARACION DE DAÑOS	46
MONTAJE	34-36	GARANTIA DEL CONTROL DE EMISIONES	47
OPERACION	37-39	COMO ORDENAR PARTES	PAGINA POSTERIOR
MANTENIMIENTO	40-43		

GARANTIA

GARANTIA LIMITADA DE LA MAQUINA LAVADORA DE PRESION CRAFTSMAN

Durante un año a partir de la fecha de compra, Sears reparará, sin cargo alguno, cualquier defecto en material y mano de obra, siempre y cuando esta máquina lavadora a presión Craftsman haya sido mantenida y puesta en funcionamiento de acuerdo a las instrucciones suministradas en el manual del propietario.

Si esta máquina lavadora es usada para fines comerciales, la garantía se aplicará tan solo por 90 días a partir de la fecha de compra. Si esta máquina lavadora de presión es usada para alquiler, la garantía se aplicará tan solo por 30 días después de la fecha de compra.

Esta garantía no cubre:

- Elementos perecederos como bujías o filtros de aire, los cuales se desgastan con el uso normal.
- Reparaciones necesarias debido al abuso o negligencia del operador, incluyendo daños ocasionados por la ausencia de suministro de agua a la bomba o por no mantener el equipo de acuerdo a las instrucciones contenidas en el manual del propietario.

El servicio de garantía se hace efectivo devolviendo la máquina lavadora de presión al centro de servicio o distribuidor Sears mas cercano en los Estados Unidos.

Esta garantía le proporciona derechos legales específicos; usted también puede tener otros derechos, los cuales varían de estado a estado.

Sears, Roebuck and Co., Dept. 817WA, Hoffman Estates, IL 60179

REGLAS DE SEGURIDAD



Este es el símbolo de alerta de seguridad. Es usado para indicarle situaciones con peligros potenciales de lesión para el personal. Siga las instrucciones de todos los mensajes de seguridad que aparecen después de este símbolo para evitar posibles lesiones o muerte.



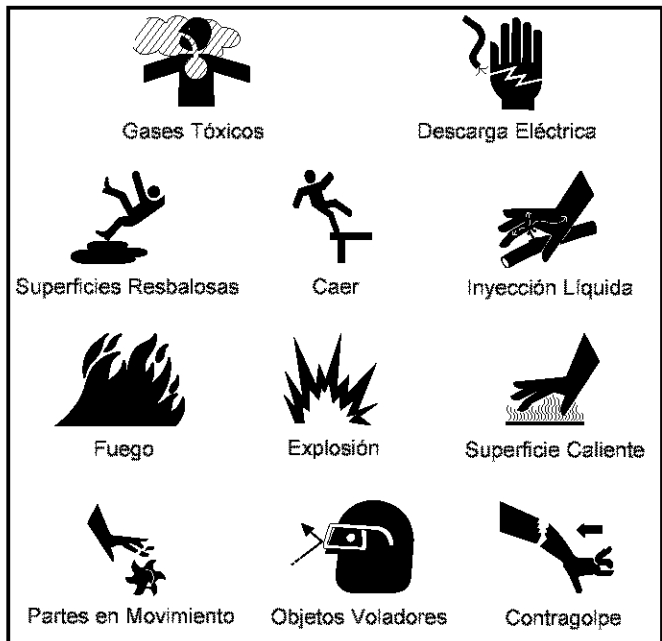
Lea este manual minuciosamente y conozca a fondo las partes y el funcionamiento de su máquina lavadora a presión. Conozca sus aplicaciones, sus limitaciones y los peligros involucrados.

El símbolo de alerta de seguridad (▲) es usado con una palabra (PELIGRO, ADVERTENCIA, PRECAUCIÓN), un mensaje por escrito o una ilustración, para alertarlo acerca de cualquier situación de peligro que pueda existir.

PELIGRO indica un riesgo el cual, si no se evita, *causará* la muerte o una herida grave. **ADVERTENCIA** indica un riesgo el cual, si no se evita, *puede* causar la muerte o una herida grave. **PRECAUCIÓN** indica un riesgo, el cual, si no se evita, *puede* causar heridas menores o moderadas.

PRECAUCIÓN, cuando se usa *sin* el símbolo de alerta, indica una situación que podría resultar en el daño del equipo. Siga los mensajes de seguridad para evitar o reducir los riesgos de heridas e inclusive la muerte.

Símbolos de Peligro y Significados



En el estado de California es obligatorio, según la ley, el uso de apagachispas (Sección 4442 del Código de Recursos Públicos de California). Otros estados pueden tener leyes similares. Las leyes federales se aplican en tierras federales. Si equipa el silenciador con un apagachispas, este deberá ser mantenido en buenas condiciones de trabajo. Usted puede ordenar el apagachispas a través de su distribuidor de servicio autorizado Sears.

ADVERTENCIA

El escape del motor de este producto contiene elementos químicos reconocidos en el Estado de California por producir cáncer, defectos de nacimiento u otros daños de tipo reproductivo.

PELIGRO



Al motor funcionar, se produce monóxido de carbono, un gas inodoro y venenoso. El respirar el monóxido de carbono, producirá náusea, desmayo o la muerte.

- Opere el lavadora de presión SOLAMENTE al aire libre.
- Utilice un respirador o máscara siempre que exista la posibilidad de inhalar vapores.
- Lea todas las instrucciones de la máscara para asegurarse de que le brindará la protección necesaria contra la inhalación de vapores nocivos.

ADVERTENCIA



El contacto del rocío con alambrado eléctrico puede tener como resultado electrocución.

- Mantenga el chorro del agua alejado de alambrados eléctricos, de lo contrario podrían ocurrir descargas eléctricas fatales.

ADVERTENCIA



El uso de lavadora de presión puede crear los charcos y superficies resbalosas.



El rociado de la alta presión podría hacerlo caer si está muy cerca de la superficie de limpieza.

- Mantenga la boquilla de rociado de 8 a 24 pulgadas de la superficie de limpieza.
- Sea extremadamente cuidadoso si usa la máquina lavadora a presión desde una escalera, andamio o cualquier superficie relativamente inestable.
- El área de limpieza deberá tener inclinaciones y drenajes adecuados para disminuir la posibilidad de caídas debido a superficies resbalosas.
- Opere y almacene esta unidad sobre una superficie estable.
- Sujete la pistola de la hidrolavadora firmemente con ambas manos cuando utilice el rociado a alta presión. De esta manera evitará lesiones producidas por el posible golpe de la pistola hacia atrás.

ADVERTENCIA



La gasolina y sus vapores son extremadamente inflamables y explosivos.



El fuego o una explosión pueden causar quemaduras severas e inclusive la muerte.

CUANDO AÑADA COMBUSTIBLE

- Apague el generador (posición OFF) y déjelo enfriar al menos por 2 minutos antes de remover la tapa de la gasolina.
- Llene el tanque al aire libre.
- NO llene demasiado el tanque. Permita al menos espacio para la expansión del combustible.
- Mantenga la gasolina alejada de chispas, llamas abiertas, pilotos, calor y otras fuentes de ignición.
- NO encienda un cigarrillo o fume.

CUANDO OPERE EL EQUIPO

- NO incline el motor o el equipo, de tal manera que la gasolina se pueda derramar.
- NO rocíe líquidos inflamables.

CUANDO TRANSPORTE O REPARE EL EQUIPO

- Transporte o repare el equipo con el tanque de combustible vacío, o con la válvula para apagar el combustible, apagada (posición OFF).

CUANDO ALMACENE O GUARDE EL EQUIPO CON COMBUSTIBLE EN EL TANQUE

- Almacene alejado de calderas, estufas, calentadores de agua, secadoras de ropa u otros aparatos electrodomésticos que posean pilotos u otras fuentes de ignición, porque ellos pueden encender los vapores de la gasolina.

ADVERTENCIA



La corriente de agua de alta presión que produce este equipo pueden perforar la piel y sus tejidos profundos, ocasionando lesiones serias y posible amputación.

- NUNCA apunte la pistola a la gente, animales o plantas.
- NO permita en ningún momento que NIÑOS operen la máquina lavadora a presión.
- NUNCA repare la manguera de alta presión. Remplacela.
- Mantenga conectada la manguera a la máquina o a la pistola de rociado cuando el sistema esté presurizado.

ADVERTENCIA



Los motores en funcionamiento producen calor y gases de escape a altas temperaturas. La temperatura del silenciador y de las zonas cercanas puede alcanzar o superar los 65°C (150°F)



Se pueden producir incendios o quemaduras graves.

- NO toque las superficies calientes.
- Manténgase alejado de los gases de escape.
- NUNCA mueva el equipo mientras esté en funcionamiento.
- Permita que el equipo se enfríe antes de tocarlo.



ADVERTENCIA



El arrancador y otras piezas que rotan pueden enredar las manos, el pelo, la ropa, o los accesorios.

- NO use ropa suelta, joyas o elementos que puedan quedar atrapados en el arranque o en otras partes rotatorias.
- Ate para arriba el pelo largo y quite la joyería.



ADVERTENCIA



Chispear involuntario puede tener como resultado el fuego o el golpe eléctrico.

CUANDO AJUSTE O HAGA REPARACIONES A SU MÁQUINA LAVADORA DE ALTA PRESIÓN

- Siempre desconecte el alambre de la bujía y colóquelo donde no pueda entrar en contacto con la bujía.



ADVERTENCIA



El rociado de alta presión puede hacer que partículas pequeñas de pintura u otras partículas salgan disparadas y viajen a altas velocidades.

- Siempre use protección para los ojos cuando utilice este equipo o cuando esté cerca de donde se esté usando el equipo.



PRECAUCIÓN

Hacer funcionar el motor a velocidades excesivas aumenta el riesgo de lesiones personales.

- NO juegue con partes que puedan aumentar o disminuir la velocidad de mando.
- NO opere la máquina lavadora a presión con un valor de presión superior a su clasificación de presión.



PRECAUCIÓN

El lavadora de presión produce un rocío alto de la presión cuál riesgo de aumentos de la herida y dañe a la unidad.

- NO asegure la pistola de rociado en la posición (open = abierto).
- NO abandone la pistola de rociado cuando la máquina esté en funcionamiento.
- NUNCA utilice una pistola de rociado que no tenga un seguro para gatillo o protección para gatillo en su lugar y en buenas condiciones.
- Siempre asegúrese de que la pistola de rociado, boquillas y accesorios estén conectados correctamente.

PRECAUCIÓN

El rociado de alta presión puede dañar elementos frágiles, incluyendo el vidrio.

- NO apunte la pistola de rociado al vidrio cuando esté en el modo de rociado a chorro.
- NUNCA apunte la pistola a plantas.

PRECAUCIÓN

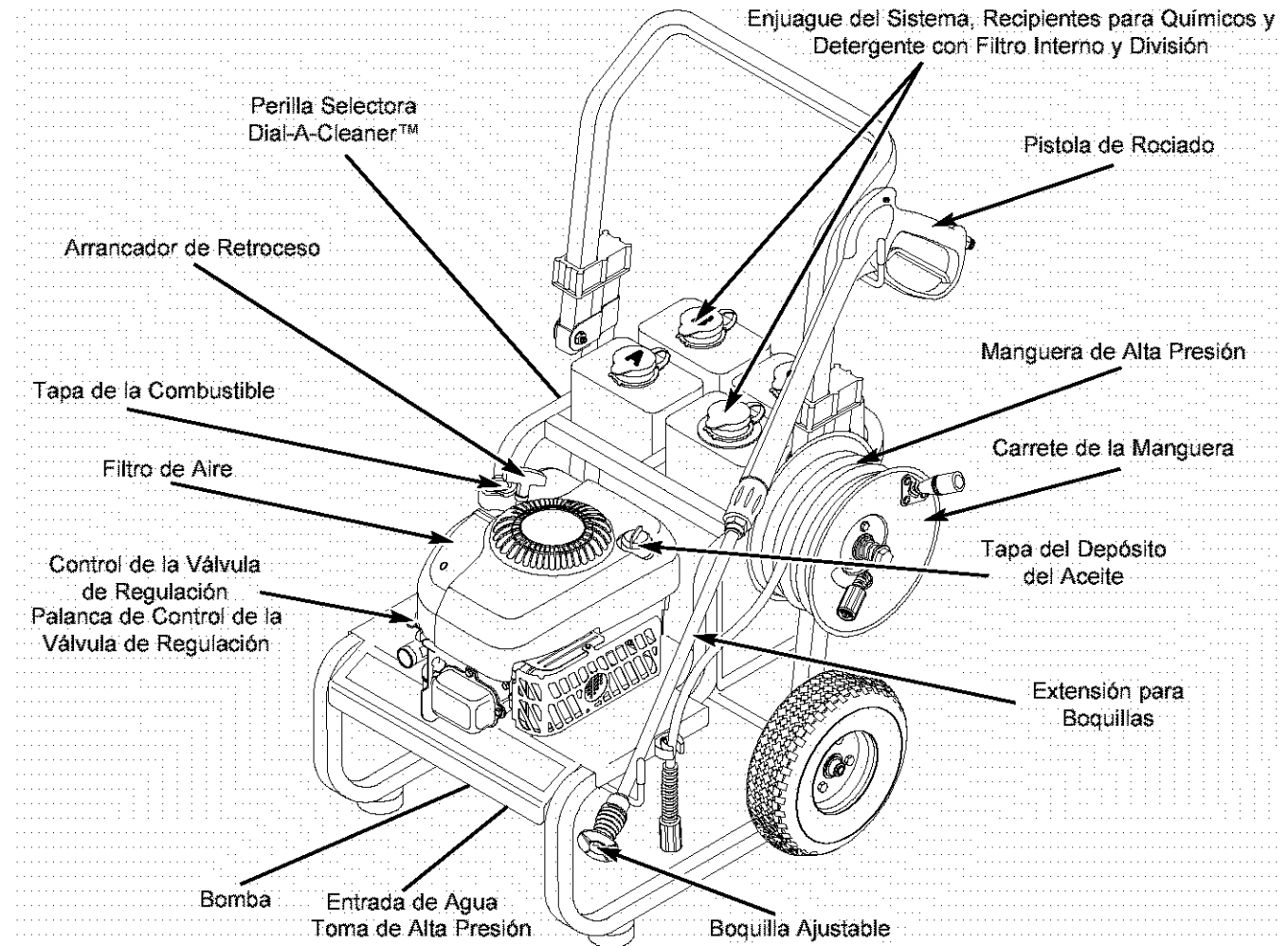
El tratamiento inadecuado del lavadora de presión puede dañarlo y acortar su vida productiva.

- Si usted tiene alguna pregunta acerca de las finalidades de uso del generador, pregúntele a su concesionario o contacte a Sears.
- NUNCA deberán ser operadas las unidades con partes rotas o ausentes, o sin la caja o cubiertas de protección.
- NO eluda ningún dispositivo de seguridad de esta máquina.
- Antes de poner en marcha la máquina lavadora a presión en clima frío, revise todas las partes del equipo y asegúrese de que no se haya formado hielo sobre ellas.
- NUNCA mueva la máquina halando la manguera de alta presión. Utilice la manija que viene con la unidad.
- Revise que el sistema de combustible no presente fugas o signos de deterioro, como mangueras desgastadas o porosas, sujetadores flojos o ausentes, tapa o tanque dañados. Corrija todos los defectos antes de operar la máquina lavadora a presión.
- El equipo de alta presión está diseñado para ser utilizado UNICAMENTE con las partes autorizadas Sears. Si utiliza este equipo con partes que no cumplan con las especificaciones mínimas, el usuario asume todos los riesgos y responsabilidades.

CONOZCA SU MAQUINA LAVADORA DE PRESIÓN

Lea el manual del propietario y las reglas de seguridad antes de poner en marcha su sistema de limpieza.

Compare las ilustraciones con su sistema de limpieza para familiarizarse con las ubicaciones de los diferentes controles y ajustes. Guarde este manual para referencias futuras.



Arrancador de Retroceso – Usado para el arranque del motor.

Bomba – Desarrolla alta presión de agua.

Boquilla Ajustable – Ajusta la presión a alta o baja presión; rociado a chorro o en abanico.

Carrete de la Manguera – Usado para almacenar la manguera cuando la unidad no está siendo usada. La manguera deberá ser desconectada de la bomba y la pistola antes de almacenarla.

Enjuague del Sistema, Recipientes para Químicos y Detergente con Filtro Interno y División – Usado para proporcionar detergente u otros químicos a la corriente de agua de baja presión.

Entrada de Agua – Conexión para la manguera de jardín.

Extensión para Boquillas – Conectada a la pistola de rociado para un uso más conveniente.

Filtro de Aire – El elemento de filtro tipo seco limita la cantidad de suciedad y polvo que se introduce en el motor.

Manguera de Alta Presión – Conecte un extremo a la pistola de rociado y el otro extremo a la toma de alta presión.

Palanca de Control de la Válvula de Regulación – Coloca el motor en modo de arranque para el arrancador de retroceso y detiene el motor en funcionamiento.

Palanca del Cebador – Usada para arranque de motores fríos.

Perilla Selectora Dial-A-Cleaner™ – Selecciona cualquiera de los tres químicos o el enjuague del sistema de agua limpia.

Pistola de Rociado – Controla la aplicación de agua sobre la superficie de limpieza con el gatillo. Incluye cerrojo de seguridad.

Tapa de la Combustible – Llene el motor con combustible regular sin contenido de plomo en este punto.

Tapa del Depósito del Aceite – Llene el motor con aceite aquí. Vea la página 35 para las recomendaciones del aceite y las instrucciones de llenado.

Toma de Alta Presión – Conexión para la manguera de alta presión.

MONTAJE

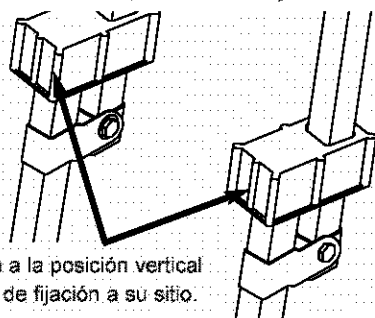
Su sistema de limpieza requiere de cierto ensamble y estará lista para ser usado únicamente después de haber depositado el combustible y el aceite recomendado.

Si tiene problemas con el ensamble de su máquina lavadora a presión, llame a la línea de ayuda de la máquina lavadora a presión al 1-800-222-3136.

IMPORTANTE: Cualquier intento de hacer funcionar el motor sin haber depositado el aceite recomendado resultará en falla del mismo.

RETIRE LA MAQUINA LAVADORA A PRESION DE LA CAJA

1. Abra la caja y corte dos esquinas opuestas a la manija guía de la parte superior a la inferior de tal forma que el panel pueda ser doblado hacia abajo.
2. Retire la caja del carrete de la manguera, material de relleno y la bolsa de repuestos enviada con el sistema de limpieza.
3. Retire pistola aspersora, extensión de boquilla y aceite para motor de material de relleno.
4. Saque el sistema de limpieza de la caja.



Levante la manija a la posición vertical y mueva la tapas de fijación a su sitio.

5. Levante la manija guía, asegúrela en su sitio.
6. Revise la caja para ver si existen partes sueltas adicionales.

CONTENIDO DE LA CAJA

Revise el contenido de la caja. Si alguna de las partes no está presente o está dañada, llame a la línea de ayuda de la máquina lavadora a presión al 1-800-222-3136.

- La unidad principal - sistema de limpieza con ruedas, tanques para químicos, manubrio
 - Los componentes del carrete de la manguera
 - La manguera de alta presión
 - Pistola de rociado
 - Extensión para boquillas con boquilla ajustable a Alta/Baja presión
 - Aceite para motor
 - Bolsa de partes (incluye los elementos descritos a continuación)
- Tres paquetes de concentrado químico
Manual del operador
Juego de mantenimiento'
Rótulos para los tanques
Tarjeta de la matrícula

Familiarícese con cada parte antes de ensamblar la máquina lavadora a presión. Compare el contenido con la ilustración de la página 33. Si alguna de las partes no está presente o se encuentra dañada, llame a la línea de ayuda de la máquina lavadora a presión al 1-800-222-3136.

MONTAJE DEL SISTEMA DE LIMPIEZA

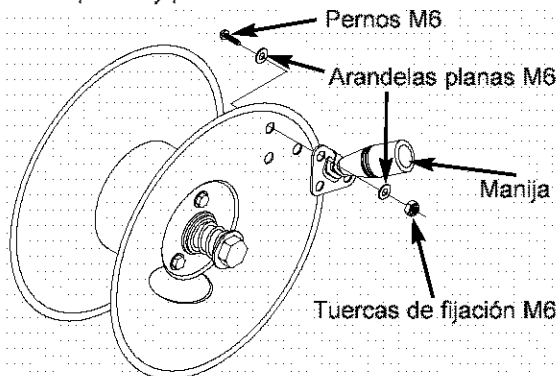
La gran mayoría de su sistema de limpieza de presión Craftsman ha sido ensamblado en la fábrica. Sin embargo, usted deberá llevar a cabo los siguientes procedimientos antes de poner en funcionamiento su sistema de limpieza:

1. Conecte el carrete de la manguera.
2. Deposite aceite en la caja del cigüeñal del motor.
3. Deposite combustible en el tanque.
4. Conecte la manguera de alta presión a la pistola de rociado y a la bomba.
5. Conecte el suministro de agua a la bomba.

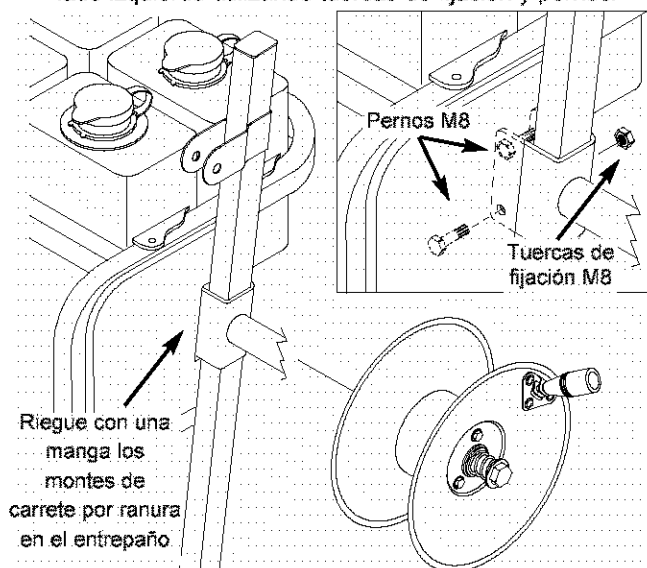
Montaje del Carrete de la Manguera

Necesitará una llave inglesa de 10mm y 14mm y #2 destornillador de phillips

1. Conecte la manija al carrete utilizando tuercas de fijación, arandelas planas y pernos como se ilustra a continuación.



2. Asegure el carrete de la manguera a la parte vertical del lado izquierdo utilizando tuercas de fijación y pernos.



NOTA: Puede haber alguna ferretería incluida con el juego de carrete de manga que no se usa en este modelo.

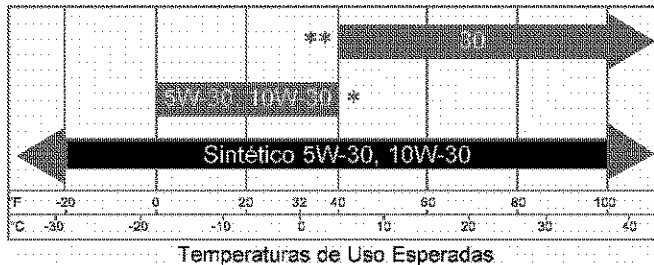
IMPORTANTE: NO use la máquina lavadora a presión teniendo la manguera enrollada en el carrete. El carrete es únicamente para su almacenamiento.

Agregue Aceite de Motor

IMPORTANTE: Cualquier intento de hacer girar o arrancar el motor antes de que se haya depositado el aceite recomendado puede resultar en falla del motor.

NOTA: Cuando agregue aceite al compartimiento del motor, utilice únicamente aceite detergente de alta calidad, designado con la clasificación API de servicio SF, SG, SH, SJ o superior, clasificado con el peso SAE 30. NO use aditivos especiales.

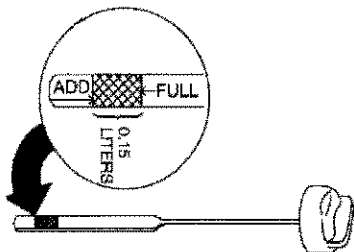
1. Seleccione una viscosidad de acuerdo a la tabla siguiente.



* El uso de aceites multigrado (5W-30, 10W-30, etc.) en temperaturas mayores a los 40°F (4°C) ocasionará un consumo de aceite mayor al normal. Cuando utilice un aceite multigrado, revise con mayor frecuencia el nivel de aceite del motor.

** Si utiliza aceite SAE 30 en temperaturas inferiores a los 40°F (4°C), ocasionará que el arranque sea más difícil e incluso que se desbiele el motor debido a su inadecuada lubricación interna.

2. Coloque la máquina lavadora a presión en una superficie nivelada.
3. Limpie el área alrededor del llenado de aceite.
4. Retire el tapón del orificio de llenado y la varilla de medición.
5. Limpie la varilla de medición, insértela en el orificio de llenado y apriete la firmemente; retire la varilla de medición. Deposite el aceite recomendado hasta la marca "Full" ("Lleno") de la varilla de medición.



6. Deposite el aceite lentamente. Limpie la varilla de medición cada vez que revise el nivel del aceite. NO llene excesivamente.

NOTA: Usted no puede necesitar usar todo el aceite suministrado.

7. Instale el tapón del orificio de llenado de aceite y la varilla de medición y apriete la firmemente.

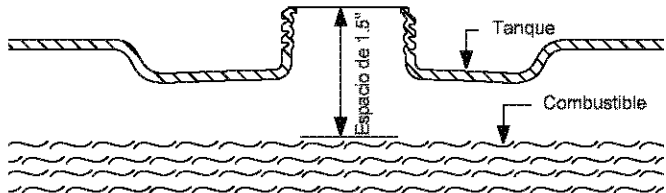
NOTA: Revise el aceite frecuentemente durante el despegue del motor.

Agregue Gasolina

¡PELIGRO! NUNCA llene el tanque de combustible en recintos cerrados. NUNCA llene el tanque de combustible cuando el motor esté funcionando o esté caliente. NO fume cuando esté llenando el tanque de combustible.

¡ADVERTENCIA! NUNCA llene por completo el tanque de combustible. Deje espacio para la expansión del combustible. Limpie cualquier derrame de combustible del motor y del equipo antes de darle arranque a la unidad.

1. Use combustible limpio y almacénelo en recipientes cubiertos, limpios y aprobados. Utilice embudos limpios. Nunca utilice gasolina "vieja" dejada de la estación anterior o gasolina almacenada por períodos de tiempo prolongados.
2. Limpie el área alrededor de la tapa de llenado del combustible, retire la tapa.
3. Agregue lentamente gasolina regular "SIN PLOMO" al tanque de combustible. Use un embudo para evitar que se derrame. Llene el tanque lentamente hasta aproximadamente 1.5" por debajo de la parte la cima del cuello del tubo de llenado.



4. Instale la tapa del tanque de combustible y limpie la gasolina que se haya derramado.

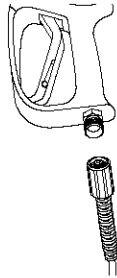
IMPORTANTE: Es importante evitar la formación de depósitos de goma en las partes esenciales del sistema de combustible como en el carburador, filtro del combustible, manguera del combustible o tanque, durante su almacenamiento. Los combustibles mezclados con alcohol (llamados gasohol, etanol o metanol) pueden atraer la humedad, la cual produce la separación y formación de ácidos durante el almacenamiento. La gasolina ácida puede dañar el sistema de combustible de un motor durante su almacenamiento.

Para evitar problemas en el motor, deberá vaciar el sistema de combustible antes de períodos de almacenamiento de 30 días o más. Vea "Almacenamiento" en la página 44. NUNCA use productos para limpiar motores o carburadores en el tanque del combustible; si lo hace ocurrirán daños permanentes.

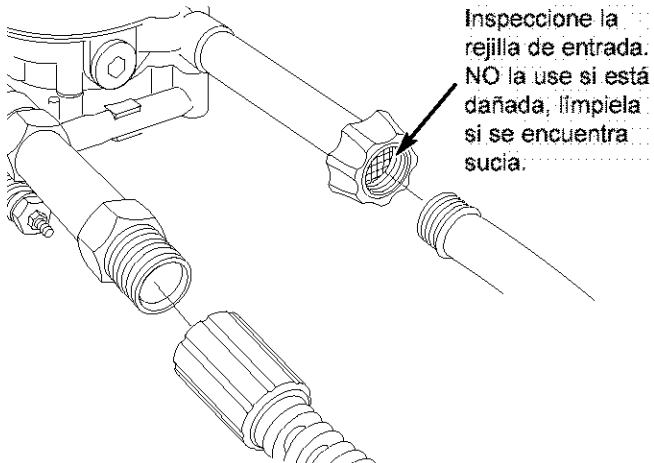
Conecte la Manguera y el Suministro de Agua a la Bomba

IMPORTANTE: Usted deberá armar la extensión para boquillas y conectar todas las mangueras antes de darle arranque al motor. La bomba resultará dañada si arranca el motor sin tener todas las mangueras conectadas y el suministro agua abierto.

1. Desenrolle la manguera de alta presión y conecte un extremo de la manguera a la base de la pistola de rociado. Apriete con la mano.



2. Retire y deseche todos los tapones de transporte de la bomba antes de conectar las mangueras.
3. Conecte el otro extremo de la manguera de alta presión a la salida de alta presión de la bomba. Apriete con la mano.



4. Antes de que conecte la manguera de jardín a la entrada de agua, inspeccione el colador de la entrada. Limpie el colador si tiene residuos o solicite su remplazo si está dañado. Refiérase a la sección "Mantenimiento de los Anillos 'O'" si la colador de la entrada se dañado. **NO haga funcionar la máquina lavadora a presión si el colador de la entrada está dañado.**

5. Haga correr el agua a través de la manguera de su jardín por 30 segundos para limpiar cualquier escombros que se encuentre en ella. Desconecte el agua.

IMPORTANTE: Hace NO agua de parar de siphon para el abastecimiento de agua. Use agua SOLO fría (menos que 100°F).

6. Conecte la manguera de jardín (no exceder 50 pies en la longitud) a la entrada del agua. Apriete con la mano.

PRECAUCIÓN

DEBE haber por lo menos diez pies de manguera de jardín libre entre la entrada de agua de la lavadora a presión y cualquier dispositivo de control de flujo de agua, sea el caso de un conector 'Y' o de cualquier otro tipo de válvula.

- El daño a la lavadora a presión, resultado de la desatención a esta precaución, no será cubierto por la garantía.

7. ABRA el suministro del agua y abra la válvula de suministro para purgar la sistema de bomba de aire y impureza.



ADVERTENCIA



El rociado de alta presión puede hacer que partículas pequeñas de pintura u otras partículas salgan disparadas y viajen a altas velocidades.

- Siempre use protección para los ojos cuando utilice este equipo o cuando esté cerca de donde se esté usando el equipo.
- Antes de darle arranque a la máquina lavadora a presión, asegúrese de usar protección adecuada para los ojos.

LISTA DE REVISION PREVIA AL ARRANQUE DEL MOTOR

Revise la unidad para asegurarse que ha llevado a cabo los siguientes procedimientos:

1. Revise que los sujetadores del carrete de la manguera estén apretados.
2. Revise que haya sido depositado aceite y esté al nivel correcto en la caja del cigüeñal del motor.
3. Deposite la gasolina adecuada en el tanque del combustible.
4. Revise que todas las conexiones de las mangueras (alta presión y suministro de agua) estén apretadas correctamente y que no existan dobleces, cortes o daño de la manguera de alta presión.
5. Proporcione el suministro de agua adecuado (que no exceda los 100°F).
6. Asegúrese de leer las secciones "Reglas de Seguridad" y "Operación" antes de usar el sistema de limpieza.

OPERACION

COMO USAR SU SISTEMA DE LIMPIEZA

Si tiene problemas con el funcionamiento de su máquina lavadora a presión, por favor llame a la línea de ayuda de la máquina lavadora a presión al 1-800-222-3136.

Para Poner en Marcha el Sistema de Limpieza

Para darle arranque a su sistema de limpieza movido a motor por primera vez, siga estas instrucciones paso a paso. Esta información acerca de la puesta en marcha inicial también es válida para cuando vaya a darle arranque al motor después de haberlo dejado la máquina lavadora a presión fuera de funcionamiento por lo menos un día.

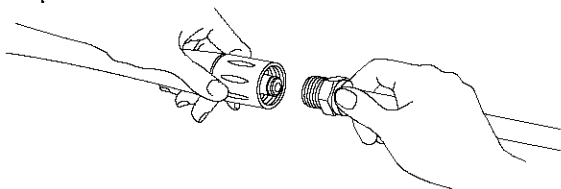
1. Coloque la máquina lavadora a presión en un área cercana a una suministro de agua exterior capaz de abastecer agua a un volumen mayor de 3.5 galones por minuto en no menos que 20 PSI en el fin de arandela de presión de la manga del jardín.
2. Revise que la manguera de alta presión se encuentre conectada firmemente a la pistola de rociado y a la bomba. Vea "Armado de Su Máquina Lavadora a Presión".
3. Asegúrese que la unidad esté nivelada.
4. Conecte la manguera de jardín a la entrada del agua. Apriete la con la mano. **Abra el suministro de agua.**

PRECAUCIÓN

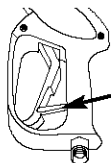
No haga funcionar la bomba si no tiene el suministro conectado y abierto.

- El daño a la lavadora a presión, resultado de la desatención a esta precaución, no será cubierto por la garantía.

5. Presione el disparador en la pistola para purgar de aire e impurezas el sistema de bombeo.
6. Acople la boquilla de extensión a la pistola aspersora. Apriétela manualmente.

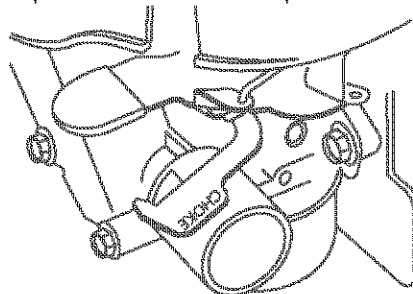


7. Coloque la boquilla en el modo de baja presión (deslice la boquilla hacia adelante) y presione el disparador en la pistola aspersora para liberar la presión provocada por haber abierto (ON) el agua. El agua llenará la pistola mediante un ligero flujo. Continúe sosteniendo el disparador hasta que haya un flujo estable de agua y no quede residuo alguno de aire en el sistema. Suelte entonces el disparador.
8. Fije el pestillo de seguridad al disparador de la pistola aspersora.



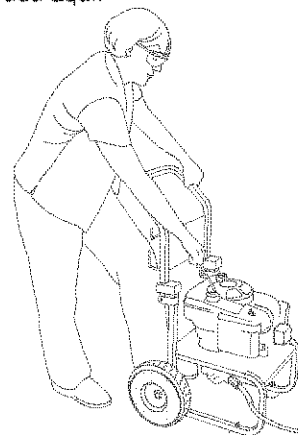
Cerrojo de Seguridad

9. Mueva la perilla del cebador a la posición "Choke".



NOTA: Si el motor está caliente, asegúrese que la perilla del cebador esté en la posición "Run".

10. Mueva la palanca de la válvula de regulación a la posición "Fast", marcada en la unidad con un conejo.
11. Coloque su pie izquierdo en el cuadro inferior de la unidad y sujete la manija tal y como se muestra. La apariencia de la unidad puede ser ligeramente distinta de la mostrada aquí.



12. Jale la cuerda de arranque lentamente con su mano derecha hasta que sienta alguna resistencia, entonces jale con energía.
13. Regrese la cuerda de arranque lentamente. NO permita que la cuerda regrese bruscamente y golpee el arrancador.
14. Cuando arranque el motor, mueva lentamente la palanca del ahogador a la posición "En marcha" ("Run"). Si el motor se enciende, pero no continúa funcionando, mueva entonces la palanca a la posición "Ahogado" ("Choke"), y después a la posición "En marcha" ("Run").
15. Si el motor no arranca después de seis tirones, mueva la palanca del ahogador a la posición "En marcha" ("Run"). Si el motor incende y no core mueva la palanca a la posición "Ahogado" ("Choke"), y después a la posición "En marcha" ("Run").



PRECAUCIÓN

Evite las lesiones que puede causar el retroceso.

- Apriete el gatillo de la pistola rociadora cada vez que tire del arrancador de retroceso y que el motor no arranque.

Cómo Detener su Sistema de Limpieza

- Mueva la palanca de la válvula de regulación a la posición "Stop" ("Parado").
- Apriete el gatillo de la pistola de rociado para eliminar la presión de la manguera.

NOTA: Observará una pequeña cantidad de agua cuando elimine la presión.

- Mueva la perilla selectora Dial-A-Cleaner™ a la posición OFF para evitar la fuga del químico.

Cómo Usar la Boquilla Ajustable

Usted ya debe saber como darle ARRANQUE a su máquina lavadora a presión y como DETENERLA. La información de esta sección le dirá como ajustar el patrón de rociado y como aplicar detergente u otros químicos de limpieza.



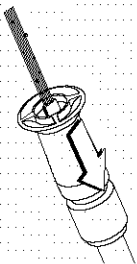
PRECAUCIÓN

El lavadora de presión produce un rocío alto de la presión cuál riesgo de aumentos de la herida y dañe a la unidad.

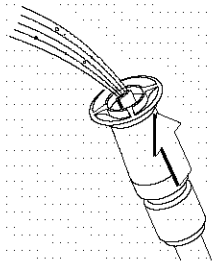
- NUNCA ajuste el patrón de rociado cuando esté rociando.
- NUNCA coloque las manos en frente de la boquilla para ajustar el patrón de rociado.

En el extremo de su pistola de rociado existe una manija que puede mover hacia adelante y hacia atrás para ajustar el patrón de rociado para que sea de alta o baja presión.

1. Usted también puede ajustar el patrón de rociado girando la boquilla para que esté concentrado en un patrón de chorro o un patrón expandido en abanico.



Mueva la boquilla hacia atrás para obtener el modo de alta presión.

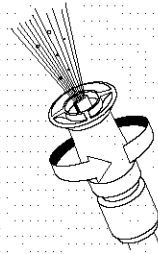


Mueva la boquilla hacia adelante para obtener el modo de baja presión y para la aplicación del detergente.

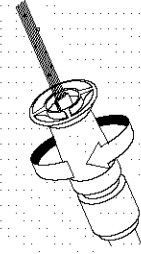
2. Apunte la boquilla hacia el suelo, desenganche el cerrojo de seguridad y apriete el gatillo para probar el patrón de rociado.



3. El patrón de rociado se ajusta de un patrón angosto a un patrón en abanico girando la boquilla.



Gire la boquilla en sentido contrario a las manecillas del reloj para un patrón de rociado en abanico.



Gire la boquilla en sentido de las manecillas del reloj para un patrón de rociado a chorro.

4. Para una limpieza más efectiva, mantenga la boquilla de rociado de 8 a 24 pulgadas de la superficie de limpieza.
5. Si coloca la boquilla de rociado demasiado cerca podría dañar la superficie, especialmente cuando esté usando el modo de alta presión.
6. NO coloque la boquilla a menos de 6 pulgadas cuando esté limpiando llantas.

Trabajo de Limpieza con la Boquilla Ajustable

¡PRECAUCION! Antes de darle arranque a su sistema de limpieza, asegúrese de haber leído y seguido las instrucciones de las secciones "Montaje de su Sistema de Limpieza" y "Para Poner en Marcha el Sistema de Limpieza".

IMPORTANTE: Utilice químicos diseñados específicamente para máquinas lavadoras a presión. Los detergentes caseros podrían dañar la bomba.

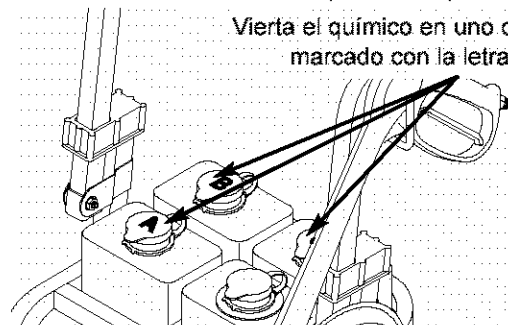
PRECAUCIÓN

Usted deberá conectar todas las mangueras antes de darle arranque al motor.

- Arrancar el motor sin tener todas las mangueras conectadas y sin el suministro de agua ABIERTO (ON) causará el daño de la bomba.
- El daño a la lavadora a presión, resultado de la desatención a esta precaución, no será cubierto por la garantía.

Se pueden tener hasta tres (3) diferentes soluciones en el sistema de limpieza al mismo tiempo. Para aplicar el detergente, siga los siguientes pasos:

1. Es necesario diluir los paquetes de químicos suministrados. Tan solo corte una esquina de la bolsa plástica, vierta el químico en el tanque, después llene el tanque con agua limpia. Coloque los rótulos suministrados en los tanques correspondientes.




Vierta el químico en uno de los tanques marcado con la letra A, B, C.

2. Si está usando otro químico diseñado para uso en máquinas lavadoras a presión, prepare la solución química

siguiendo las instrucciones del fabricante del químico. Llene el recipiente(s) del químico con la solución preparada.

3. Gire la perilla selectora Dial-A-Cleaner™ y colóquela en la letra que corresponda al recipiente que desea usar.
4. Mueva la boquilla ajustable hacia adelante para obtener el modo de baja presión. **El detergente no puede ser aplicado si tiene la boquilla en la posición de alta presión.**
5. Conecte la manguera de jardín a la entrada del agua, revise que la manguera de alta presión esté conectada a la pistola de rociado y a la bomba (vea la página 36) y dele arranque al motor.

ADVERTENCIA	
	El rociado de la alta presión podría hacerlo caer si está muy cerca de la superficie de limpieza.
<ul style="list-style-type: none">• Mantenga la boquilla de rociado de 8 a 24 pulgadas de la superficie de limpieza.• Opere y almacene esta unidad sobre una superficie estable.• Sea extremadamente cuidadoso si usa la máquina lavadora a presión desde una escalera, andamio o cualquier superficie relativamente inestable.• Sujete la pistola de la hidrolavadora firmemente con ambas manos cuando utilice el rociado a alta presión. De esta manera evitará lesiones producidas por el posible golpe de la pistola hacia atrás.	

6. Comience en la porción inferior del área que va a lavar y dirijase hacia arriba, usando movimientos parejos, largos y superpuestos.
7. Permita que el detergente 'penetre' (entre 3-5 minutos) antes de lavar y enjuagar. Vuelva a aplicar cuando sea necesario para evitar que la superficie se seque.

Lavado y Enjuague de la Superficie

Después de haber aplicado el detergente, lave la superficie con agua a alta presión y después enjuagueela hasta que esté limpia de la siguiente manera:

1. Mueva la boquilla ajustable hacia atrás para obtener el modo de alta presión. **NO** habrá circulación de químico si está en el modo de alta presión.
2. Haga una prueba en un área pequeña de la superficie que va a limpiar. Asegúrese de que el rociado de alta presión no cause daños en la superficie.
3. Expanda el patrón de rociado para obtener una acción de enjuague más suave. Comience en la parte superior del área que va a enjuagar dirigiéndose hacia abajo con la misma acción usada para limpieza.

Enjuague el Sistema Después de Cada Uso

Es muy importante que el sistema dispensador de químicos sea enjuagado después de cada uso para evitar que se tape o que presente fugas:

1. Llene el recipiente para Enjuague del Sistema con agua limpia.
2. Antes de desconectar el suministro de agua, ponga en funcionamiento el sistema de limpieza.
3. Mueva la boquilla ajustable hacia adelante para obtener el modo de baja presión.
4. Coloque la perilla selectora Dial-A-Cleaner™ en la letra que corresponda al tanque de Enjuague del Sistema. A medida que el agua de enjuague limpia circula por el

sistema, permita que dicha circulación continúe hasta que deje de observar espuma de detergente.

5. **Mueva la perilla selectora Dial-A-Cleaner™ a la posición OFF cuando termine para evitar la fuga de químicos.**

Succión de Líquidos

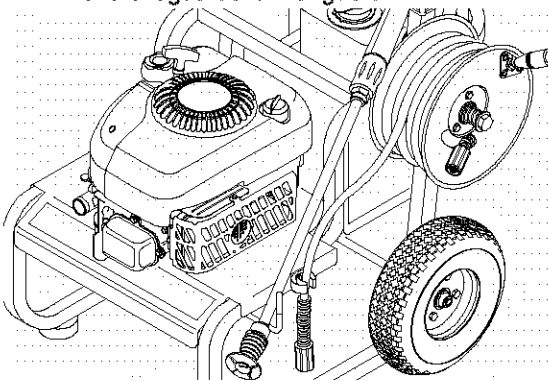
NO utilice agua estancada como suministro de agua. El agua sucia, contaminada o salobre puede dañar la bomba. Use únicamente el suministro de agua de su casa.

Cómo Usar el Carrete de la Manguera

Su máquina lavadora a presión está equipada con un carrete diseñado para almacenar la manguera cuando la unidad no está siendo usada. Estas instrucciones se aplican únicamente para almacenamientos por un corto período de tiempo. Para almacenamiento prolongado consulte la sección "Almacenamiento" de la páginas 44-45.

Después de cada uso:

1. Desconecte la manguera de la pistola y la toma de alta presión de la bomba.
2. Drene el agua de la manguera.



3. Pase un extremo de la manguera por el orificio del carrete de la manguera. Haga girar el carrete con la manija para enrollar la manguera en el carrete.
4. Coloque el otro extremo de la manguera en la presilla ubicada en el costado de la unidad.

IMPORTANTE: NO use la máquina lavadora a presión teniendo la manguera enrollada en el carrete. El carrete es únicamente para su almacenamiento.

Sugerencias

- NUNCA use la entrada de la manguera de jardín para succionar detergente o cera.
- Si tiene la boquilla de rociado demasiado lejos de la superficie que está limpiando, la limpieza no será tan efectiva.
- Siempre almacene el sistema de limpieza con la perilla selectora Dial-A-Cleaner™ en la posición "OFF".

Sistema de Enfriamiento Automático (Alivio Térmico)

El agua que circula dentro de la bomba puede alcanzar temperaturas entre los 125°-155°F si hace funcionar el motor de su máquina lavadora a presión de 3 a 5 minutos sin oprimir el gatillo de la pistola de rociado. El sistema de enfriamiento automático se activa a esta temperatura y enfría la bomba descargando agua caliente en el piso, evitando así el daño interno de la bomba.

MANTENIMIENTO

RESPONSABILIDADES DEL PROPIETARIO

Siga el programa de mantenimiento según el número de horas o según el calendario, lo que suceda primero. Se requiere de servicio con mayor frecuencia cuando opere la unidad en las condiciones adversas descritas a continuación.

HORARIO DE MANTENIMIENTO COLOQUE LAS FECHAS A MEDIDA QUE VA COMPLETANDO EL SERVICIO REGULAR	INTERVALO DE OPERACION POR HORA				FECHAS DE SERVICIO			
	Antes de cada uso	Cada 25 Horas o Anualmente	Cada 50 Horas o Anualmente	Cada 100 Horas o Anualmente				
TAREA DE MANTENIMIENTO								
MAQUINA LAVADORA A PRESION								
Revise/limpie el colador de la entrada de agua de la bomba.	X†							
Revise la manguera de alta presión.	X							
Revise la manguera del detergente.	X							
Revise la pistola de rociado y el conjunto.	X							
Elimine el aire y los contaminantes de la bomba.	X							
Cambio del aceite de la bomba.			X					
MOTOR								
Revise el nivel de aceite	X							
Proporcione servicio al depurador de aire.		X**						
Cambie el aceite del motor.			X*					
Reemplace la bujía.				X				
Proporcione servicio al apagachispas.			X					
Prepare la unidad para almacenamiento.	Prepare la unidad para almacenamiento si va a estar fuera de servicio por más de 30 días.							

† Limpiar si está obstruido. Reemplazar si está perforado o roto.

* Cambiar el aceite después de las primeras (5) horas y después cada 50 horas. Hacer el cambio de aceite con mayor frecuencia cuando trabaje en condiciones de mucha suciedad o polvo.

** Reemplazar más a menudo bajo condiciones de suciedad o polvo.

ESPECIFICACIONES DEL PRODUCTO

Especificaciones de la Máquina Lavadora a Presión

Presión 2,500 PSI
 Velocidad de flujo 2.5 GPM
 Mezcla de químicos Use según instrucciones
 Temperatura del suministro de agua Que no exceda los 100°F
 Peso que Embarca 102 lbs.

Especificaciones del Motor

Caballos de fuerza 6.75 HP
 Bujía
 Resistor Champion RC12YC
 Platino de Larga Duración Champion RC12PYP
 Calibre la separación a: 0.020 pulgadas (0.50 mm)
 Capacidad de gasolina 1.6 Cuartos
 Aceite
 Por encima de 40°F SAE 30
 0°F - 40°F SAE 5W-30 o 10W-30

RECOMENDACIONES GENERALES

La garantía de la máquina lavadora a presión NO cubre los elementos que han sido sujetos a abuso o negligencia por parte del operador. Para hacer válida la cobertura total de la garantía, el operador deberá mantener la lavadora de presión tal y como se indica en el manual, incluyendo su adecuado almacenamiento, como se describe en la sección "Almacenamiento" en la página 43-44.

Algunos ajustes tendrán que hacerse periódicamente para mantener adecuadamente su máquina lavadora a presión.

Todos los servicios y ajustes deberán hacerse por lo menos una vez en cada estación. Siga las instrucciones de la tabla "Programa de Mantenimiento" descrita anteriormente.

NOTA: Una vez al año, usted deberá limpiar o reemplazar la bujía y el filtro de aire. Una bujía nueva y un filtro de aire limpio garantizan una mezcla de combustible-aire adecuada y le ayuda a su motor a funcionar mejor y a tener una vida útil más prolongada.

Si equipó con llantas que se puede hinchar, mantenga la presión aérea en el valor marcado en la llanta o dentro de 15 y 40 psi.

ANTES DE CADA USO

- Revise el nivel de aceite del motor.
- Revise si existen daños en el colador de la entrada de agua.
- Revise si existen fugas en la manguera de alta presión.
- Revise si existen daños en los filtros y tanques de químicos.
- Revise si existen fugas en el conjunto de la extensión para boquillas y pistola.
- Elimine el aire y los contaminantes de la bomba.

MANTENIMIENTO DE LA MAQUINA LAVADORA A PRESION

Revise y Limpie el Colador de Entrada

Examine el colador de entrada de la manguera de jardín. Límpielo si está tapado o réplacelo si está roto.

Revise la Manguera de Alta Presión

Las mangueras de alta presión pueden desarrollar fugas debido al desgaste, dobleces o abuso. Revise la manguera antes de cada uso. Revise si existen cortes, fugas, abrasiones, levantamiento de la cubierta, daño o movimiento de los acoplamientos. Si existe cualquiera de estas condiciones, réplacela inmediatamente.

 ADVERTENCIA	
	La corriente de agua de alta presión que produce este equipo pueden perforar la piel y sus tejidos profundos, ocasionando lesiones serias y posible amputación.
<ul style="list-style-type: none">• NUNCA repare la manguera de alta presión. Réplacela.• Réplacela con una manguera que cumpla con la capacidad mínima de presión de su máquina lavadora a presión.	

Revise los Recipientes de los Químicos

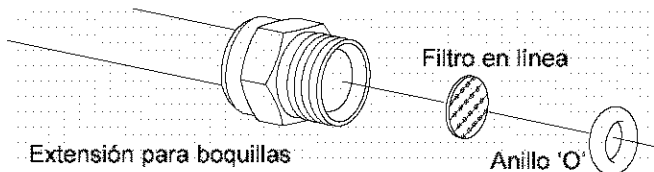
Las cubiertas de los tanques deben ajustar firmemente en el tanque. Asegúrese que los rótulos de los químicos identifiquen correctamente el contenido del tanque. Asegúrese que el tanque de Enjuague del Sistema esté lleno con agua limpia. Asegúrese que la perilla selectora Dial-A-Cleaner™ gire sin problemas entre posiciones. Examine los tanques y réplacela si el filtro está tapado.

Revise la Pistola y la Extensión para Boquillas

Examine la conexión de la manguera a la pistola y cerciórese de que esté en buen estado. Pruebe el gatillo oprimiéndolo y asegurándose de que se devuelve a su sitio cuando lo suelte. Coloque el cerrojo de seguridad en la posición UP y pruebe el gatillo. Usted no debe ser capaz de oprimir el gatillo. Réplacela inmediatamente si falla cualquiera de estas pruebas.

Revise el Filtro en Línea

Consulte la ilustración y suministre servicio al filtro en línea si se tapa siguiendo estos pasos:



1. Retire la pistola y la extensión para boquillas de la manguera de alta presión. Retire la extensión para boquillas de la pistola y retire el anillo 'o' y el colador de la extensión para boquillas. Lave el colador, pistola y extensión para boquillas con agua limpia para eliminar toda clase de residuos.
2. Si el colador está dañado, encontrará un colador para el filtro en línea y un anillo 'o' de repuesto en el juego de anillos 'o'. Si no está dañado, vuelva a usarlo.
3. Coloque el colador del filtro en línea en el extremo con rosca de la extensión para boquillas. Su dirección no importa. Coloque el colador ejerciendo presión con el borrador de un lápiz hasta que se asiente por completo en el fondo de la abertura. Tenga cuidado de no doblar el colador.
4. Coloque el anillo 'o' en la ranura respectiva. Empuje el anillo 'o' hasta que quede ajustado contra el colador del filtro en línea.
5. Conecte la extensión para boquillas a la pistola de rociado de la manera descrita anteriormente en este manual.

Elimine el Aire y los Contaminantes de la Bomba

Para retirar el aire de la bomba, siga los siguientes pasos:

1. Instale el sistema de limpieza como está descrito en "Montaje Del Sistema Limpieza" y conecte el suministro de agua.
2. Hale el gatillo de la pistola y manténgalo apretado hasta que obtenga una corriente de agua constante.

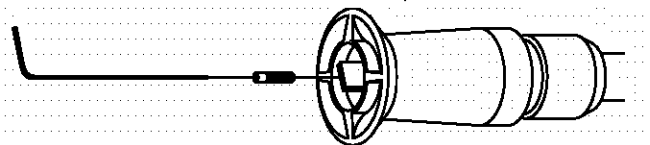
Para retirar los contaminantes de la bomba, siga los siguientes pasos:

1. Instale el sistema de limpieza como está descrito en "Montaje Del Sistema Limpieza" y conecte el suministro de agua.
2. Retire el accesorio para boquillas de la pistola.
3. Ponga en marcha el motor de acuerdo a las instrucciones de "Como Usar Su Sistema De Limpieza".
4. Hale el gatillo de la pistola y manténgalo apretado.
5. Cuando el suministro de agua sea uniforme y constante, enganche el cerrojo de seguridad y vuelva a ajustar el accesorio para boquillas.

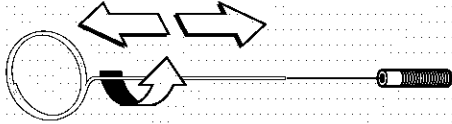
Mantenimiento de la Boquilla

Si siente una sensación pulsante al momento de apretar el gatillo de la pistola rociadora, puede que sea causada por la presión excesiva en la bomba. La causa principal de la presión excesiva en la bomba es cuando la boquilla se encuentra atascada o tapada con materiales extraños, tales como tierra, etc. Para corregir el problema, limpie inmediatamente la boquilla las instrucciones siguientes:

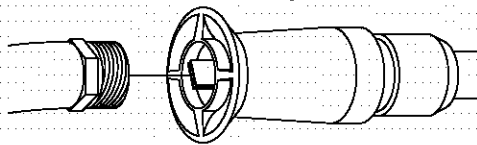
1. Apague el motor y apague el suministro de agua.
2. Remueva la boquilla del extremo de la extensión de la boquilla. Separe la extensión de la boquilla, de la pistola rociadora. Gire la boquilla en dirección de las agujas del reloj, a la posición "stream" (chorro). Usando un Allen de 2mm (5/64) provista, remueva la boquilla del extremo de la extensión de la boquilla.



3. Quite el en el filtro de la línea del otro fin de la extensión de boquilla.
4. Use el alambre incluido en el juego (o un pequeño sujeta papeles) para liberar cualquier material extraño que esté tapando la boquilla.



5. Usando una manguera de jardín, remueva cualquier desecho adicional, poniendo agua en la extensión de la boquilla. Haga ésto de 30 a 60 segundos. Gire la extensión de la boquilla ajustable a "stream spray" (chorro rociador) y mueva la boquilla de "low" (bajo) a "high" (alto), mientras drene el agua.



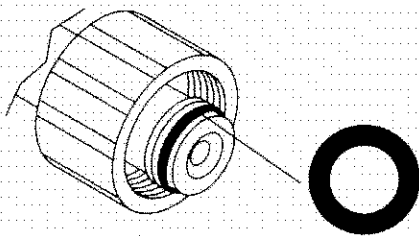
6. Instale de nuevo la boquilla y en el filtro en-línea en la extensión. NO la apriete demasiado con la llave Allen.
7. Conecte de nuevo la extensión de la boquilla a la pistola rociadora.
8. Conecte de nuevo el suministro de agua, prenda el agua, y encienda el motor.
9. Pruebe el lavador a presión al hacer funcionar la boquilla en la posición "high" y "low".

Mantenimiento de los Anillos 'o'

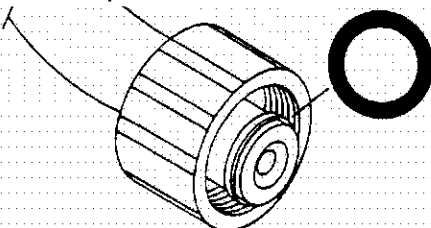
Durante la operación normal de su sistema de limpieza los anillos 'o' mantienen apretadas y libres de fugas las conexiones de las mangueras y la pistola. Ellos pueden desgastarse o dañarse con el uso. Su sistema de limpieza viene con un Juego de Mantenimiento para anillos 'O', el cual contiene anillos 'o', una arandela de caucho y un colador de repuesto para la entrada de la manguera de jardín.

Las partes del Juego de Anillos 'o' incluyen:

- 1 anillo 'o' rojo, (p/n B2726) para el extremo de la conexión de la pistola de rociado entre la pistola y la extensión para boquillas.

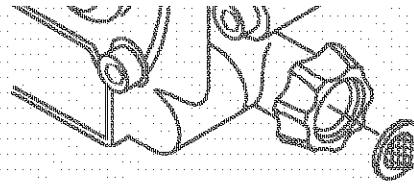


- 1 anillo 'o' amarillo, (p/n B2264) para el extremo de la manguera de alta presión.



NOTA: Los dos anillos 'o' anteriores tienen un tamaño similar. Por favor compárelos y asegúrese de usarlos en el lugar correcto.

- 1 colador para la entrada de agua (p/n B2384) para el conector de la manguera de jardín.



Para retirar un anillo 'o' desgastado o dañado:

- Utilice un destornillador de cabeza plana pequeño, colóquelo por debajo del anillo 'o' y sáquelo haciendo palanca.

MANTENIMIENTO DE LA BOMBA

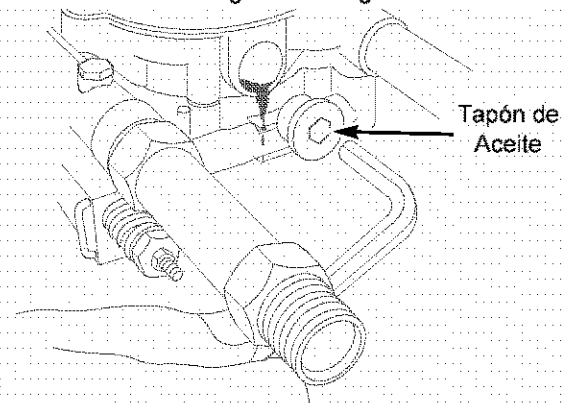
Cambio del aceite de la bomba

Cambie el aceite cada 50 horas o una vez al año, lo que suceda antes.

NOTA: Debe adquirir una botella de aceite para la bomba previamente medido, N° de pieza 190585GS, llamando al **1-800-366-PART** o en línea en www.sears.com.

Cambie el aceite como se indica a continuación:

1. Vacíe el aceite del motor y el combustible de la limpiadora a presión.
2. Use una 8mm llave allen para extraer el tapón negro de aceite de la bomba que hay entre la salida de presión y la entrada de la manguera de riego.



3. Inclíne la limpiadora a presión hacia un lado para que vaciar completamente la bomba de aceite, y vierta este en un recipiente homologado.
4. Inclíne la limpiadora a presión hacia el lado contrario y llene la bomba con el aceite recomendado a través del mismo orificio (puede utilizar para ello un embudo pequeño).
5. Instale el tapón negro de aceite de la bomba y apriételo firmemente.
6. Coloque la limpiadora de presión en su posición normal (de pie). Añada combustible y aceite de motor.

MANTENIMIENTO DEL MOTOR

Revisión del Nivel del Aceite

El nivel del aceite deberá ser revisado antes de cada uso o al menos cada 5 horas de operación. Conserve el nivel del aceite.

Cambio de Aceite

Cambie el aceite del motor después de las primeras 5 horas y cada 50 horas, o anualmente, a partir de ese momento. Si está utilizando su máquina lavadora a presión bajo condiciones de extrema suciedad o polvo, o en un clima demasiado caliente, haga el cambio de aceite cada 25 horas.



PRECAUCIÓN

Evite el contacto prolongado o repetido de piel con aceite usado de motor.

- El aceite usado del motor ha sido mostrado al cáncer de la piel de la causa en ciertos animales del laboratorio.
- Completamente lavado expuso áreas con el jabón y el agua.



MANTENGA FUERA DE ALCANCE DE NIÑOS. NO CONTAMINE. CONSERVE los RECURSOS. VUELVA ACEITE USADO A la COLECCION CENTRA.

Cambie el aceite con el motor caliente después del funcionamiento, como se indica a continuación:

1. Retire el tapón del drenaje ubicado en la parte inferior del motor.
2. Drene el aceite en un recipiente adecuado. Cuando la caja del cigüeñal esté vacía, vuelva a colocar el tapón del drenaje.
3. Deposite el aceite lentamente por la abertura de llenado del aceite. Vuelva a colocar y a apretar la varilla de medición, retirela y revise el nivel del aceite. El nivel del aceite debe estar en la marca de "Full" ("Lleno") de la varilla de medición. NO llene por encima de esa marca.
4. Instale y apriete la varilla de medición/tapa del aceite cuando la caja del cigüeñal esté llena al nivel correcto.
5. Limpie los residuos de aceite.

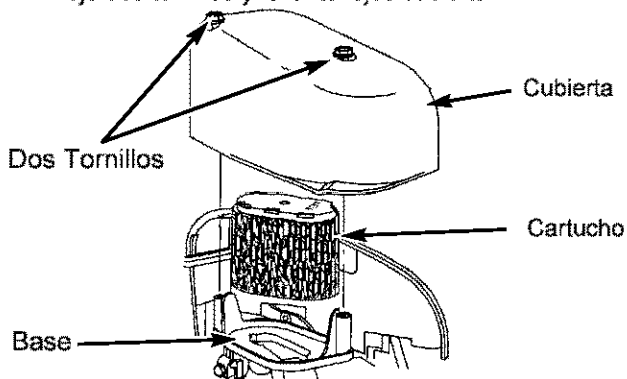
Servicio del Depurador de Aire

Su motor no funcionará adecuadamente y puede dañarse si usted lo hace funcionar con un depurador de aire sucio.

Suministre servicio al depurador de aire una vez cada 100 horas de operación o una vez por año, lo que suceda primero. Suministre servicio más frecuentemente si la unidad funciona bajo condiciones de mucha suciedad o polvo. Los repuestos se encuentran disponibles en su centro de servicio local Sears.

Para suministrar servicio al depurador de aire, siga los siguientes pasos:

1. Afloje dos tornillos y levante lejos cubierta.



2. Retire cuidadosamente aire limpiador de la base.

3. Para limpiar cartucho, utiliza suavemente el lado plisado de papel en una superficie plana.
4. Instale limpie (o nuevo) limpiador de aire en la base. El limpiador aéreo debe quedar seguramente en base.
5. La cubierta del lugar sobre limpiador de aire y aprieta los tornillos.

Remplace la Bujía

Remplace la bujía anualmente o cada 100 horas de operación.

1. Limpie el área alrededor de la bujía y retirela.



ADVERTENCIA

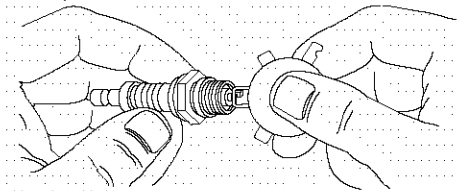


Chispear involuntario puede tener como resultado el fuego o el golpe eléctrico.



CUANDO AJUSTE O HAGA REPARACIONES A SU MÁQUINA LAVADORA DE PRESIÓN

- Siempre desconecte el alambre de la bujía y colóquelo donde no pueda entrar en contacto con la bujía.
2. Retire y revise la bujía.
 3. Para el uso del reemplazo o el bujía uniforme de la chispa de reóstato, el Champion RC12YC o el bujía largo de la chispa de platino de vida, el Champion RC12PYP.
 4. Revise la separación del electrodo con un calibrador de alambre y ajuste la separación a 0.020 pulgadas (0.50 mm), si es necesario.



5. Instale la bujía y apriete la firmemente.

NOTA: Puede adquirir nuevos bujía al número telefónico 1-800-366-PART.

Carburador

Si usted cree que su carburador necesita ajuste, visite su centro de servicio Sears más cercano. El funcionamiento del motor podría resultar afectado a altitudes por encima de 3000 a 5000 pies. Para operaciones a elevaciones mayores, póngase en contacto con el centro de servicio Sears más cercano.

Servicio del Apagachispas

El motor de su unidad no viene equipado de fábrica con un apagachispas. En ciertas áreas, es ilegal operar motores que no tengan apagachispas. Revise las leyes y regulaciones locales. Si necesita apagachispas, lo puede comprar en su centro de servicio Sears más cercano. Para obtener el número de parte llame al 1-800-366-PART.

Deberá suministrarle servicio al apagachispas cada 50 horas para conservarlo en buenas condiciones de funcionamiento.

Si el motor ha estado funcionando, el silenciador estará bastante caliente. Deje que el silenciador se enfríe para poder darle servicio al apagachispas.

- Retire la pantalla del apagachispas para limpieza e inspección.
- Remplace la pantalla si está dañada.

ALMACENAMIENTO

DESPUES DE CADA USO

NO deberá haber agua en la unidad por largos períodos de tiempo. Los sedimentos de minerales se pueden depositar en partes de la bomba y "congelar" su funcionamiento. Lleve a cabo estos procedimientos después de cada uso:

1. Lave el sistema de químicos seleccionando el tanque de enjuague del sistema y haciendo funcionar la máquina lavadora a presión con la boquilla en el modo de baja presión. Lave por un minuto o hasta que se haya eliminado el químico del sistema.
2. Apague el motor y déjelo enfriar, después retire todas las mangueras.
3. Desconecte el alambre de la bujía.
4. Saque todos los líquidos de la bomba halando la manija de retroceso aproximadamente 6 veces. Esto deberá evacuar la mayoría del líquido de la bomba.
5. Gire la perilla selectora Dial-A-Cleaner™ a la posición OFF.
6. Enrolle la manguera de alta presión y revísela para ver si presenta daños. Los cortes en la manguera o el desgaste de la misma pueden ocasionar fugas y pérdida de presión. Si encuentra algún daño, reemplace la manguera. NO intente reparar una manguera dañada. Reemplace la manguera con la parte Craftsman genuina.
7. Desconecte la manguera de la pistola y la toma de alta presión de la bomba. Drene el agua de la manguera, pistola, y extensión de la boquilla y límpiela con un trapo.
8. Pase un extremo de la manguera por el orificio del carrete de la manguera. Haga girar el carrete con la manija para enrollar la manguera en el carrete. Coloque el otro extremo de la manguera en la presilla ubicada en el costado de la unidad.
9. Vuelva a conectar el alambre a la bujía.
10. Almacene el sistema en una área limpia y seca.



¡ADVERTENCIA! NUNCA almacene el motor con combustible en el tanque en recintos cerrados o en áreas encerradas con poca ventilación donde los vapores puedan entrar en contacto con llamas abiertas, chispas o luces de piloto.

ALMACENAMIENTO PARA INVIERNO

PRECAUCIÓN

Usted deberá proteger su unidad de las temperaturas de congelamiento.

- Si no lo hace, dañará permanentemente la bomba y la unidad no podrá funcionar.
- La garantía no cubre el daño de la unidad ocasionado por congelamiento.

Para proteger la unidad de las temperaturas de congelamiento:

1. Vacíe todos los recipientes de químicos de la siguiente manera:
 - a. Desconecte la manguera conectada al adaptador de inyección de químicos de la bomba. Coloque el extremo de la manguera en un recipiente adecuado.
 - b. Mueva la perilla selectora al Tanque A y abra la cubierta del tanque. La fuerza de gravedad se encargará de vaciar el contenido del tanque en el recipiente.
 - c. Cuando el tanque esté vacío, repita el paso (b) para los tanque B y C, utilizando un recipiente diferente para cada químico.
 - d. Vuelva a conectar la manguera al adaptador de inyección de químicos de la bomba. Añada 0.5 litros de agua limpia a cada tanque y cierre las cubiertas de los tanques.
2. Enjuague el sistema de químicos seleccionando un tanque y ponga en funcionamiento la máquina lavadora a presión con la boquilla en el modo de baja presión. Enjuague hasta que cada tanque esté vacío, después mueva la perilla selectora al siguiente tanque. El último tanque que se debe vaciar es el tanque de Enjuague del Sistema.
3. Utilice un protector de bomba, disponible en Sears con el número de catálogo 7174403, para cuidar la bomba. Aquél protege a la unidad contra el congelamiento y lubrica tanto los pistones como los empaques.
4. Si el protector de bomba no está disponible, conecte un tramo de 3 pies de manguera de jardín a la entrada de agua. Vierta anticongelante RV (anticongelante sin alcohol) en la manguera. Jale la manija de arranque dos veces. Desconecte después la manguera de 3 pies.

ALMACENAMIENTO PROLONGADO

Si usted no planea usar la máquina lavadora a presión por más de 30 días, deberá preparar el motor para un almacenamiento prolongado.

Es importante evitar la formación de depósitos de goma en las partes esenciales del sistema del combustible tales como carburador, filtro del combustible, manguera o tanque del combustible durante el almacenamiento. También, la experiencia indica que los combustibles con mezclas de alcohol (llamados gasohol, etanol o metanol) pueden atraer la humedad, lo que lleva a la separación y formación de ácidos durante el almacenamiento. La gasolina ácida puede dañar el sistema del combustible de un motor durante el almacenamiento.

Proteja el Sistema de Combustible

Aditivo para Combustible:

Si va a usar aditivo para combustible, llene el tanque de combustible con gasolina fresca. Si el tanque está parcialmente lleno, el aire del tanque va a promover el deterioro del combustible durante el almacenamiento. El motor y el combustible pueden ser almacenados hasta 24 meses con aditivo.

- Deposite el aditivo para combustible siguiendo las instrucciones del fabricante.
- Asegúrese de tener conectado y ABIERTO el suministro de agua a la entrada de la bomba.
- Ponga en funcionamiento el motor en un área descubierta por 10 minutos para asegurarse de que la gasolina tratada ha reemplazado la gasolina no tratada del carburador.

Si no usa aditivo para combustible, retire todo el combustible del tanque y haga funcionar el motor hasta que se detenga por falta de combustible.

Cambio de Aceite

Con el motor todavía caliente, drene el aceite de la caja del cigüeñal. Vuelva a llenarlo con el grado de aceite recomendado. Vea "Cambio de Aceite" en la página 42.

Aceite el Diámetro Interior del Cilindro

- Retire la bujía. Rocíe aproximadamente 1 onza de aceite limpio para motor dentro del cilindro. Cubra el orificio de la bujía con un trapo. Hale la manija de retroceso lentamente para distribuir el aceite. Evite el rociado del orificio de la bujía.
- Instale la bujía. NO conecte el alambre de la bujía.

Protección de la Bomba

A protege al salvador de bomba de uso de bomba Sears a previene congelar el daño y lubrica émbolos y sellos.

NOTA: El protector de la bomba, número de ítem Sears número 7174403, están disponible sólo como un accesorio opcional. No es incluido con la arandela de la presión.

PRECAUCIÓN

Usted deberá proteger su unidad de las temperaturas de congelamiento.

- Si no lo hace, dañará permanentemente la bomba y la unidad no podrá funcionar.
- La garantía no cubre el daño de la unidad ocasionado por congelamiento.

Al uso el salvador de bomba:



PRECAUCIÓN

Lea y siga todo advierte y las advertencias en el PumpSaver pueden marcar.

- Siempre protección de ojo de uso cuando se usa PumpSaver.

1. Conecte manga en el salvador de bomba puede a la cala de la bomba.
2. El empujón en puede la cima a distribuye bomba salvador.
3. Cuándo líquido de salvador de bomba comienza a la salida de la bomba de la salida, la bomba es protegida.
4. Quite bomba salvador de la cala de bomba.

OTROS

- NO almacene gasolina de una estación a otra.
- Si es posible, almacene su unidad en un recinto cerrado y cúbrala para protegerla del polvo y la suciedad.

ASEGURESE DE VACIAR EL TANQUE DEL COMBUSTIBLE.

IMPORTANTE: NUNCA cubra su máquina lavadora a presión cuando el motor y el área del escape estén calientes.

REPARACION DE DAÑOS

Problema	Causa	Solución
La bomba presenta los siguientes problemas: no produce presión, produce una presión errada, traqueteo, pérdida de presión, bajo volumen de agua.	<ol style="list-style-type: none"> 1. La boquilla está en el modo de baja presión. 2. La entrada de agua está bloqueada. 3. Suministro de agua inadecuado. 4. La manguera de entrada está doblada o presenta fugas. 5. El colador de la manguera de entrada está tapado. 6. El suministro de agua está por encima de los 100°F. 7. La manguera de alta presión está bloqueada o presenta fugas. 8. La pistola presenta fugas. 9. La boquilla está obstruida. 10. Bomba defectuosa. 	<ol style="list-style-type: none"> 1. Mueva la boquilla hacia atrás para el modo de alta presión. 2. Limpie la entrada. 3. Proporcione flujo de agua adecuado. 4. Estire la manguera de entrada, coloque un parche en la fuga. 5. Revise y limpie el colador de la manguera de entrada. 6. Proporcione suministro de agua más fría. 7. Retire las obstrucciones de la manguera de salida. 8. Reemplace la pistola. 9. Limpie la boquilla. 10. Póngase en contacto con el centro de servicio Sears.
El detergente no se mezcla con el rociado.	<ol style="list-style-type: none"> 1. La línea detergente se ha obstruido o está doblada. 2. El filtro del tanque de los químicos está tapado. 3. Sucio en el filtro de la línea. 4. La boquilla está en el modo de alta presión. 5. La perilla Dial-a-Cleaner™ está en la posición de apagado 	<ol style="list-style-type: none"> 1. Repare o reemplace la línea del detergente. 2. Reemplace el tanque. 3. Vea "Cheque En el Filtro de la Línea". 4. Mueva la boquilla hacia adelante para el modo de baja presión. 5. Gire la perilla a la posición del químico que desea.
El motor funciona bien cuando no tiene cargas, pero funciona "mal" cuando se conecta una carga.	La velocidad del motor es demasiado lenta.	Mueva el control de la válvula de regulación a la posición FAST (RAPIDO). Si el motor continúa funcionando mal, póngase en contacto con el centro de servicio Sears.
El motor no arranca; o arranca y funciona mal.	<ol style="list-style-type: none"> 1. Depurador de aire sucio. 2. Sin gasolina. 3. Gasolina vieja. 4. El alambre de la bujía no está conectado a la bujía. 5. Bujía mala. 6. Agua en la gasolina. 7. Estrangulación excesiva. 8. Mezcla de combustible demasiado rica. 9. Válvula de entrada trabada en la posición abierta o cerrada. 10. El motor ha perdido compresión. 	<ol style="list-style-type: none"> 1. Limpie o reemplace el depurador de aire. 2. Llene el tanque de combustible. 3. Drene el tanque de gasolina; llénelo con combustible fresco. 4. Conecte el alambre a la bujía. 5. Reemplace la bujía. 6. Drene el tanque de gasolina; llénelo con combustible fresco. 7. Abra el cebador por completo y haga girar el motor. 8. Póngase en contacto con el centro de servicio Sears. 9. Póngase en contacto con el centro de servicio Sears. 10. Póngase en contacto con el centro de servicio Sears.
El motor se apaga durante la operación.	Sin gasolina.	Llene el tanque de combustible.
El motor no tiene fuerza.	Filtro de aire sucio.	Reemplace el filtro de aire.
El motor intenta estabilizarse o su funcionamiento no es constante.	Cebador abierto demasiado rápido	Mueva el cebador a la posición intermedia hasta que el motor funcione normalmente.

GARANTIA DEL SISTEMA DE CONTROL DE EMISIONES

Sears, Roebuck and Co., U.S.A. (Sears), California Air Resources Board (Consejo de Recursos sobre el Aire de California, CARB, por sus siglas en inglés) y United States Environmental Protection Agency (Agencia de Protección Ambiental de EE.UU., EPA, por sus siglas en inglés).

Declaración de garantía del sistema de control de emisiones (derechos y obligaciones del propietario para la garantía contra defectos)

LA COBERTURA DE LA GARANTÍA DE CONTROL DE EMISIONES SE APLICA A LOS MOTORES CERTIFICADOS ADQUIRIDOS EN CALIFORNIA EN 1995 Y POSTERIORMENTE, QUE SE UTILICEN EN CALIFORNIA, Y A MOTORES CERTIFICADOS MODELO 1997 Y POSTERIORES QUE SEAN ADQUIRIDOS Y UTILIZADOS EN OTRA REGIÓN DE ESTADOS UNIDOS (Y A PARTIR DEL 1º DE ENERO DE 2001, EN CANADÁ).

Declaración de garantía sobre el control de emisiones de la EPA de EE.UU. y California.

El California Air Resources Board (CARB), la EPA de EE.UU. y Sears se complacen en explicar la Garantía para el sistema de control de emisiones para motores pequeños para exteriores (SORE) modelos año 2000 y posteriores. En California, los nuevos motores pequeños para exteriores se deben diseñar, construir y equipar para cumplir con las estrictas normas del estado contra el smog. En otras regiones de Estados Unidos, los nuevos motores para interiores de ignición por chispa certificados para modelos año 1997 y posteriores deben cumplir con normas similares establecidas por la EPA de EE.UU. Sears debe garantizar el sistema de control de emisiones de su motor para los períodos indicados a continuación, siempre y cuando no se haya abusado, descuidado o dado mantenimiento incorrecto al motor pequeño para exteriores.

Su sistema de control de emisiones podrá incluir partes como el carburador o el sistema de inyección de combustible, el sistema de ignición y el convertidor catalítico. También se pueden incluir mangueras, correas, conectores y otros componentes relacionados con las emisiones.

Cuando exista una condición que pueda ser cubierta por la garantía, Sears reparará el motor pequeño para exteriores sin costo alguno, incluyendo el diagnóstico, las partes de repuesto y la mano de obra.

Cobertura de la garantía de Sears contra defectos en el control de emisiones

Los motores pequeños para exteriores modelos 1995 y posteriores tienen una garantía de dos años. Si alguna parte de su motor relacionada con las emisiones está defectuosa, Sears la reparará o sustituirá.

Responsabilidades del propietario para la garantía

Como propietario del motor pequeño para exteriores, usted es responsable de realizar las actividades de mantenimiento requeridas que se indican en este manual del propietario. Sears recomienda que conserve todos los recibos que cubran el mantenimiento de su motor pequeño para exteriores, pero Sears no puede negar la garantía solamente por la falta de recibos ni por su imposibilidad de garantizar la realización de todas las actividades de mantenimiento programadas.

Como propietario del motor pequeño para exteriores, usted siempre debe tener en cuenta que Sears podrá negar la cobertura de la garantía si su motor pequeño para exteriores o una parte del mismo presenta fallas debido a abuso, descuido, mantenimiento incorrecto o modificaciones no aprobadas.

Usted es responsable de presentar su motor pequeño para exteriores a un Centro de servicio Sears aprobado tan pronto como se presente el problema. Las reparaciones bajo garantía deberán concluirse en un período razonable, que no excederá de 30 días.

Si tiene alguna pregunta con respecto a sus derechos y responsabilidades para la garantía, póngase en contacto con un representante de servicio Sears al 1-800-469-4663.

Disposiciones de la garantía de Sears contra defectos en el control de emisiones

Las siguientes son disposiciones específicas relacionadas con la cobertura de la garantía contra defectos en el control de emisiones.

1. Partes garantizadas

La cobertura bajo esta garantía incluye solamente aquellas partes que se enumeran a continuación (las partes del sistema de control

de emisiones) en la medida que dichas partes hayan estado presentes en el motor adquirido.

- a. Sistema de medición de combustible.
Sistema de enriquecimiento para arranque en frío.
Carburador y partes internas.
Bomba de combustible.
- b. Sistema de inducción de aire.
Filtro de aire.
Colector de entrada.
- c. Sistema de ignición.
Bujías.
Sistema de ignición por magneto.
- d. Sistema catalizador.
Convertidor catalítico.
Colector de escape.
Sistema de inyección de aire o válvula por impulsos.
- e. Distintos elementos utilizados en los sistemas anteriores.
Válvulas e interruptores de vacío, temperatura, posición y de detección de tiempo.
Conectores y conjuntos.

2. Vigencia de la cobertura

Sears garantiza al propietario inicial y a cada propietario subsiguiente que las partes garantizadas estarán libres de defectos en material y en mano de obra, que ocasionen fallas de las partes garantizadas durante un período de dos años a partir de la fecha en que el motor sea entregado al comprador minorista.

3. NO habrá cargos

La reparación o reemplazo de cualquier parte garantizada se realizará sin cargo alguno para el propietario, incluyendo la mano de obra de diagnóstico que derive en la determinación de que una parte garantizada está defectuosa, si la labor de diagnóstico se realiza en un Centro de servicio Sears aprobado.

4. Reclamos y exclusiones de cobertura

Los reclamos vinculados con la garantía se presentarán conforme a las disposiciones de la Póliza de garantía de Sears. La cobertura de la garantía se excluirá para aquellas fallas de partes garantizadas que no sean partes originales de Sears o debido a abuso, descuido o mantenimiento incorrecto, según se establece en la Póliza de garantía de motores de Sears. Sears no es responsable por la cobertura de fallas de partes garantizadas ocasionadas por el uso de partes adicionales, no originales o modificadas.

5. Mantenimiento

Cualquier parte garantizada cuyo reemplazo no esté programado como mantenimiento requerido o que esté programada únicamente para inspección frecuente con el fin de "reparar o reemplazar conforme sea necesario", estará garantizada en cuanto a defectos por el período de la garantía. Cualquier parte garantizada cuyo reemplazo esté programado como mantenimiento requerido tendrá solamente una garantía contra defectos únicamente por el período hasta el primer reemplazo programado para esa parte. Se podrá utilizar cualquier parte de repuesto que tenga un rendimiento y durabilidad equivalentes, al realizar cualquier actividad de mantenimiento o reparación. El propietario es responsable de realizar todo el mantenimiento requerido, según se define en este manual del propietario.

6. Cobertura consiguiente

La cobertura bajo la presente se ampliará a la falla de cualquier componente del motor provocada por un desperfecto en cualquier parte garantizada que siga gozando de la cobertura de la garantía.

En EE.UU. y Canadá contamos con una línea de emergencia las 24 horas (1-800-469-4663), que ofrece un menú de mensajes pregrabados con información sobre mantenimiento de productos.

Get it fixed, at your home or ours!

Your Home

For repair – in your home – of all major brand appliances, lawn and garden equipment, or heating and cooling systems, no matter who made it, no matter who sold it!

For the replacement parts, accessories and owner's manuals that you need to do-it-yourself.

For Sears professional installation of home appliances and items like garage door openers and water heaters.

1-800-4-MY-HOME®

(1-800-469-4663)

www.sears.com

Anytime, day or night

(U.S.A. and Canada)

www.sears.ca

Our Home

For repair of carry-in products like vacuums, lawn equipment, and electronics, call or go on-line for the nearest **Sears Parts and Repair Center.**

1-800-488-1222 Anytime, day or night (U.S.A. only)

www.sears.com

To purchase a protection agreement on a product serviced by Sears:

1-800-827-6655 (U.S.A.)

1-800-361-6665 (Canada)

Para pedir servicio de reparación a domicilio, y para ordenar piezas:

1-888-SU-HOGARSM

(1-888-784-6427)

Au Canada pour service en français:

1-800-LE-FOYER^{MC}

(1-800-533-6937)

www.sears.ca

SEARS

© Sears, Roebuck and Co.

® Registered Trademark / ™ Trademark / SM Service Mark of Sears, Roebuck and Co.

® Marca Registrada / ™ Marca de Fábrica / SM Marca de Servicio de Sears, Roebuck and Co.

^{MC} Marque de commerce / ^{MD} Marque déposée de Sears, Roebuck and Co.