

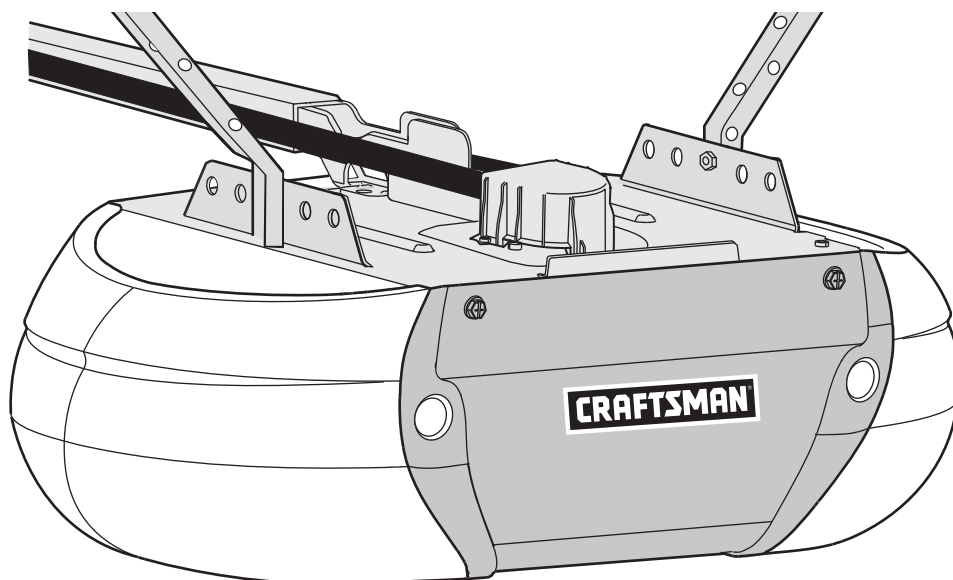
# Owner's Manual/Manual Del Propietario



## assurelink

**GARAGE DOOR OPENER WITH AssureLink™ CONNECTIVITY**  
**ABRIDOR DE PUERTA DE COCHERA CON CONECTIVO AssureLink™**

**For Residential Use Only/Sólo para uso residencial**  
**MODELS/MODELOS 139.3043 AND/Y 139.54918**



ENGLISH ESPAÑOL

**Read and follow all safety rules and operating instructions before first use of this product.**

**Fasten the manual near the garage door after installation.**

**Periodic checks of the opener are required to ensure safe operation.**

**DO NOT enable the Timer-to-Close feature if you are installing the garage door opener on a one-piece door. The Timer-to-Close is to be used ONLY with sectional doors.**

**Leer y seguir todas las reglas de seguridad y las instrucciones de operación antes de usar este producto por primera vez.**

**Guardar este manual cerca de la puerta de la cochera.**

**Se deben realizar revisiones periódicas del abridor de puertas para asegurar su operación segura.**

**NO use el característica Temporizador para cierra se el abridor de la puerta es instalado en un puerta de un sola pieza. El característica temporizador para cierra es SOLÓ para uso con puertas seccionales.**



# TABLE OF CONTENTS

<b>Introduction</b>	<b>2-7</b>	<b>Adjustment</b>	<b>28-30</b>
Safety symbol review and signal word review	2	Introduction	28
Preparing your garage door	3	Program the travel	29
Tools needed	3	Test the safety reversal system	30
Planning	4-5	Test The Protector System®	30
Carton inventory	6	<b>Battery Backup</b>	<b>31</b>
Hardware inventory	7	Install the Battery	31
<b>Assembly</b>	<b>8-11</b>	Test the battery	31
Assemble the rail and install the trolley	8	Charge the battery	31
Fasten the rail to the motor unit	8	<b>Operation</b>	<b>32-36</b>
Install the idler pulley	9	Operation safety instructions	32
Install the belt	10	Features	32-33
Tighten the belt	10	Door control	33
Install the sprocket cover	11	Smart Control Panel setup	34
<b>Installation</b>	<b>11-27</b>	Programming	35
Installation safety instructions	11	To erase the memory	35
Determine the header bracket location	12	To open the door manually	36
Install the header bracket	13	Care of your opener	36
Attach the rail to the header bracket	14	<b>Troubleshooting</b>	<b>37-38</b>
Position the opener	15	<b>Repair Parts</b>	<b>39-40</b>
Hang the opener	16	Rail assembly parts	39
Install the lights	17	Installation parts	39
Attach the emergency release rope and handle	17	Motor unit assembly parts	40
Fasten the door bracket	18-19	<b>Accessories</b>	<b>41</b>
Connect door arm to trolley	20-21	<b>Warranty</b>	<b>41</b>
Attach the warning labels	21	<b>Repair Parts and Service</b>	<b>Back Cover</b>
Install the door control	22		
Install The Protector System®	23-25		
Electrical requirements	26		
Aligning the safety reversing sensors	27		

## INTRODUCTION

### Safety Symbol Review and Signal Word Review

This garage door opener has been designed and tested to offer safe service provided it is installed, operated, maintained and tested in strict accordance with the instructions and warnings contained in this manual.

 **WARNING**

**Mechanical**

 **WARNING**

**Electrical**

**CAUTION**

When you see these Safety Symbols and Signal Words on the following pages, they will alert you to the possibility of **serious injury or death** if you do not comply with the warnings that accompany them. The hazard may come from something mechanical or from electric shock. Read the warnings carefully.

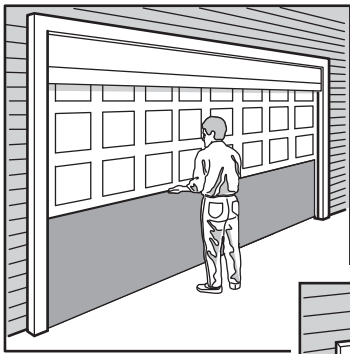
When you see this Signal Word on the following pages, it will alert you to the possibility of damage to your garage door and/or the garage door opener if you do not comply with the cautionary statements that accompany it. Read them carefully.

## Preparing your garage door

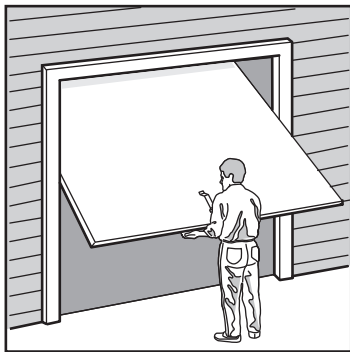
Before you begin:

- Disable locks.
- Remove any ropes connected to garage door.
- **Complete the following test** to make sure your garage door is balanced and is not sticking or binding:
  1. Lift the door about halfway as shown. Release the door. If balanced, it should stay in place, supported entirely by its springs.
  2. Raise and lower the door to see if there is any binding or sticking.

If your door binds, sticks, or is out of balance, call a trained door systems technician.



Sectional Door



One-Piece Door

## ⚠ WARNING

To prevent possible **SERIOUS INJURY** or **DEATH**:

- **ALWAYS** call a trained door systems technician if garage door binds, sticks, or is out of balance. An unbalanced garage door may **NOT** reverse when required.
- **NEVER** try to loosen, move or adjust garage door, door springs, cables, pulleys, brackets or their hardware, **ALL** of which are under **EXTREME** tension.
- Disable **ALL** locks and remove **ALL** ropes connected to garage door **BEFORE** installing and operating garage door opener to avoid entanglement.

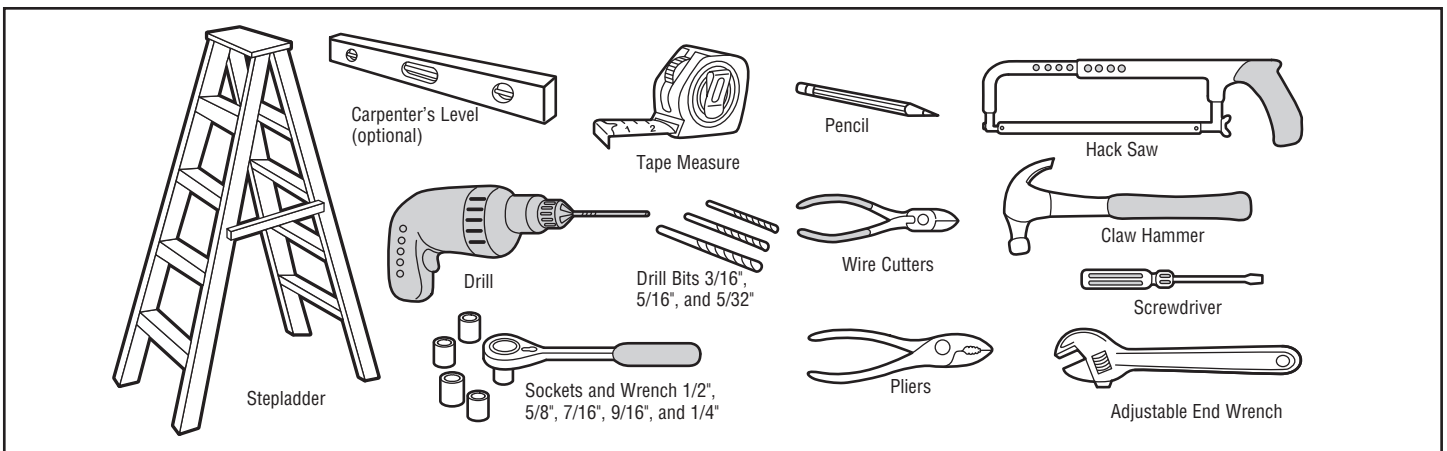
## CAUTION

To prevent damage to garage door and opener:

- **ALWAYS** disable locks **BEFORE** installing and operating the opener.
- **ONLY** operate garage door opener at 120V, 60 Hz to avoid malfunction and damage.

## Tools needed

During assembly, installation and adjustment of the opener, instructions will call for hand tools as illustrated below.



## Planning

Identify the type and height of your garage door. Survey your garage area to see if any of the conditions below apply to your installation. Additional materials may be required. You may find it helpful to refer back to this page and the accompanying illustrations as you proceed with the installation of your opener.

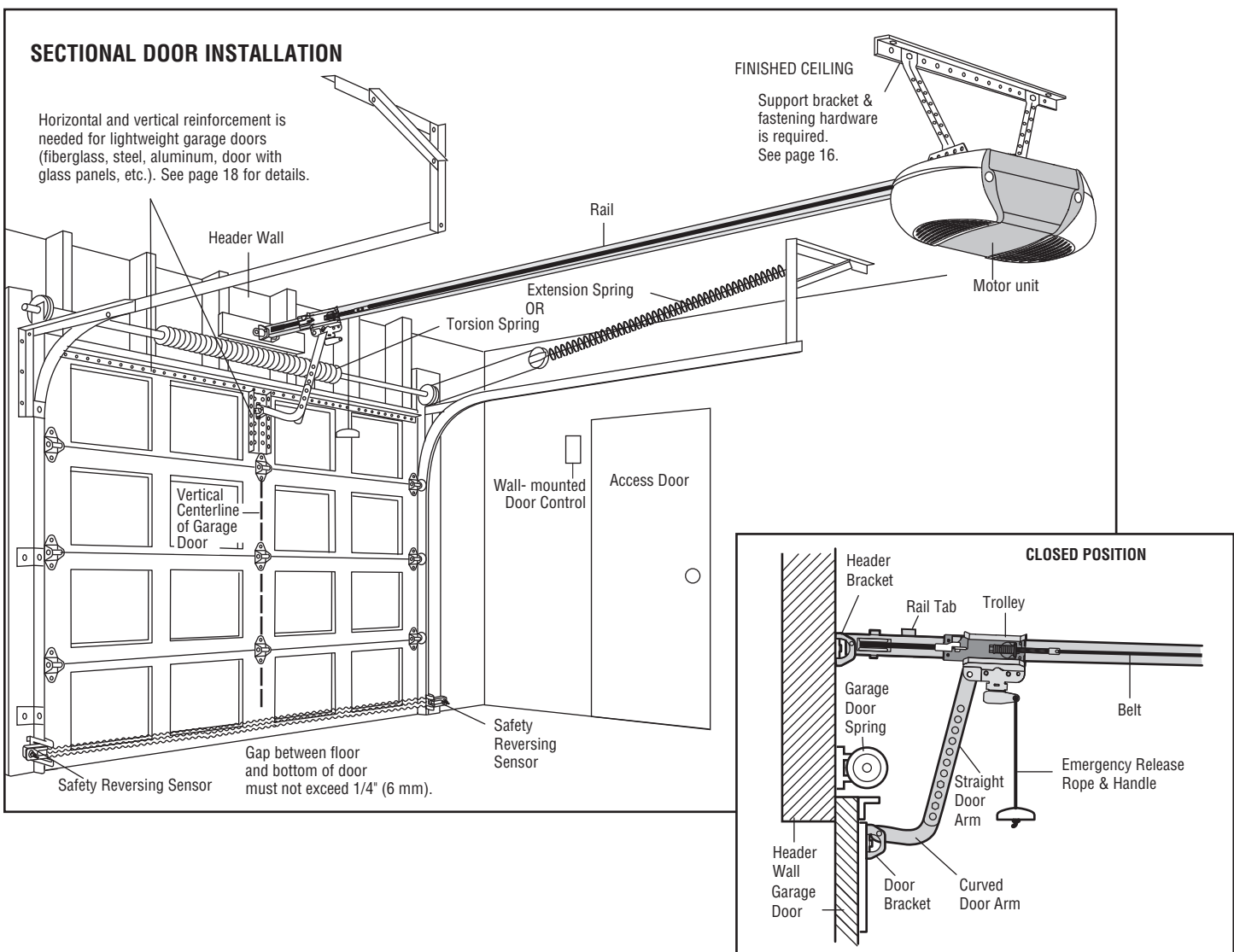
Depending on your requirements, there are several installation steps which may call for materials or hardware not included in the carton.

- Installation Step 1 – Look at the wall or ceiling above the garage door. The header bracket must be securely fastened to structural supports.
- Installation Step 5 – Do you have a finished ceiling in your garage? If so, a support bracket and additional fastening hardware may be required.
- Installation Step 12 – Depending upon garage construction, extension brackets or wood blocks may be needed to install sensors.
- Installation Step 12 – Alternate floor mounting of the safety reversing sensor will require hardware not provided.

- Do you have an access door in addition to the garage door? If not, Model 139.53702 Emergency Key Release is required. See Accessories page.
- Look at the garage door where it meets the floor. Any gap between the floor and the bottom of the door must not exceed 1/4" (6 mm). Otherwise, the safety reversal system may not work properly. See Adjustment Step 2. Floor or door should be repaired.

## SECTIONAL DOOR INSTALLATION

- Do you have a steel, aluminum, fiberglass or glass panel door? If so, horizontal and vertical reinforcement is required (Installation Step 8).
- The opener should be installed above the center of the door. If there is a torsion spring or center bearing plate in the way of the header bracket, it may be installed within 4 feet (1.22 m) to the left or right of the door center. See Installation Steps 1 and 8.
- If your door is more than 7 feet (2.13 m) high, see rail extension kits listed on Accessories page.



## Planning (Continued)

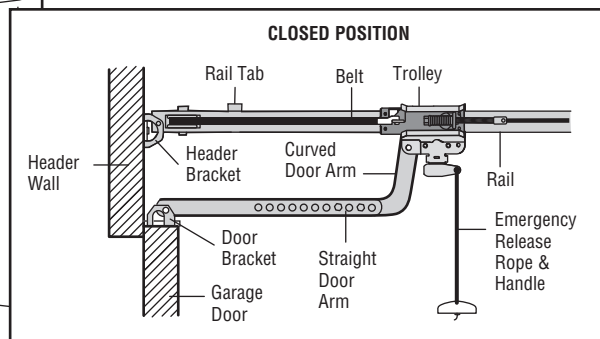
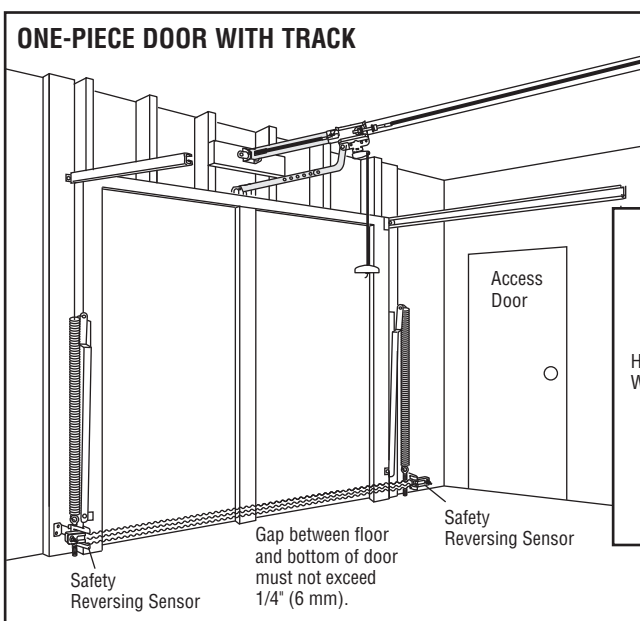
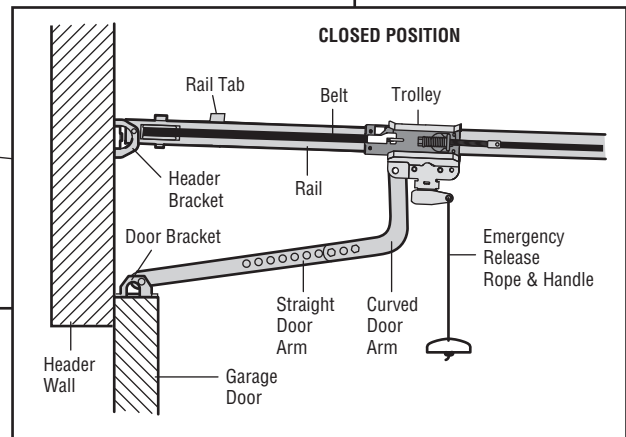
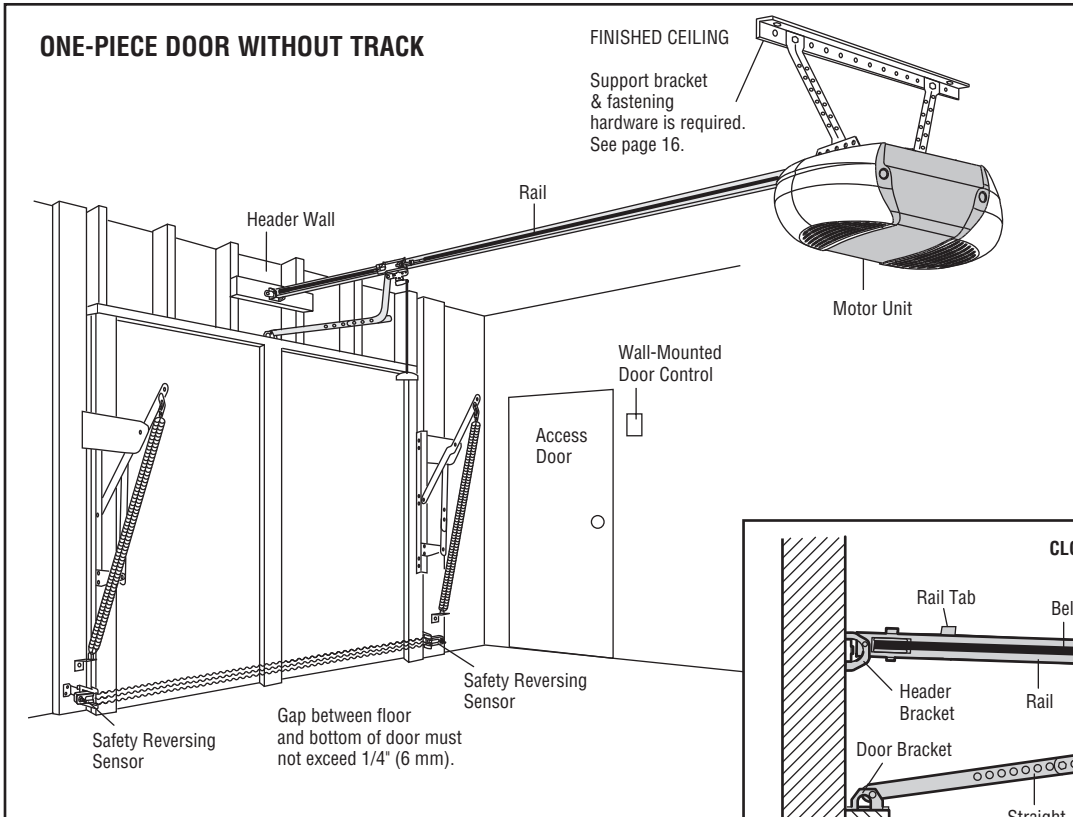
### ONE-PIECE DOOR INSTALLATIONS

- Generally, a one-piece door does not require reinforcement. If your door is lightweight, refer to the information relating to sectional doors in Installation Step 8.
- Depending on your door's construction, you may need additional mounting hardware for the door bracket (Step 8).

## **!** WARNING

Without a properly working safety reversal system, persons (particularly small children) could be **SERIOUSLY INJURED** or **KILLED** by a closing garage door.

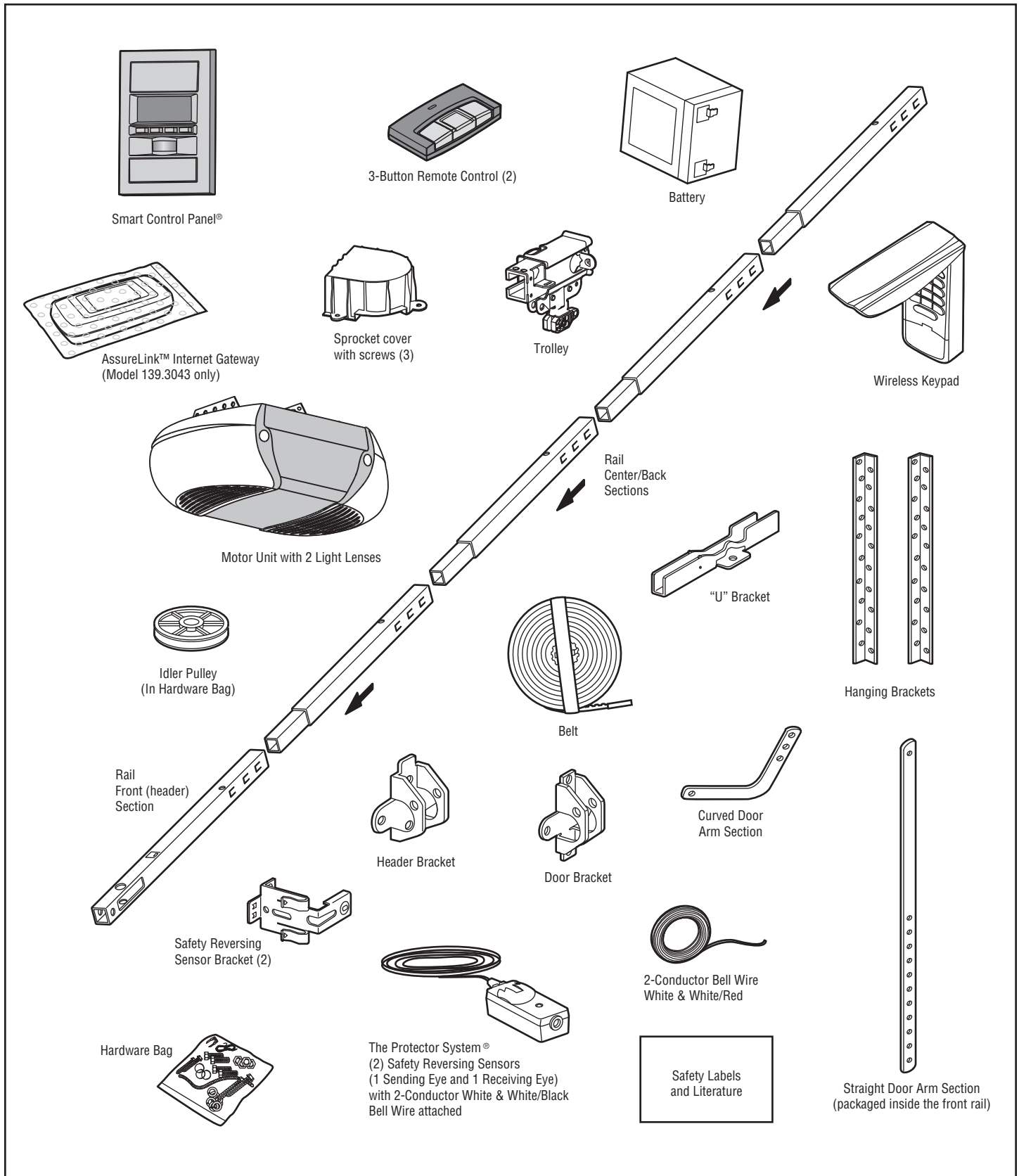
- The gap between the bottom of the garage door and the floor **MUST NOT** exceed 1/4" (6 mm). Otherwise, the safety reversal system may **NOT** work properly.
- The floor or the garage door **MUST** be repaired to eliminate the gap.



## Carton Inventory

Your garage door opener is packaged in one carton which contains the motor unit and all parts illustrated below. Accessories will depend on the model purchased. If anything is missing, carefully check the packing material.

Hardware for assembly and installation is shown on the next page. Save the carton and packing material until installation and adjustment is complete.



# Hardware Inventory

Separate all hardware and group as shown below for the assembly and installation procedures.

**ASSEMBLY HARDWARE**

Lock Nut  
1/4"-20

Lock Washer 3/8"

Nut 3/8"

Master Link

Bolt 1/4"-20x1-3/4"

Idler Bolt

Threaded Shaft with Spring Trolley Nut

**INSTALLATION HARDWARE**

Carriage Bolt  
1/4"-20x1/2" (2)

Wing Nut  
1/4"-20 (2)

Ring Fastener (3)

Nut 5/16"-18 (6)

Handle

Lag Screw  
5/16"-9x1-5/8" (4)

Hex Bolt  
5/16"-18x7/8" (4)

Lock Washer 5/16" (5)

Insulated Staples  
(Not shown)

Self-Threading Screw  
1/4"-14x5/8" (2)

Screw  
6ABx1" (2)

Drywall Anchors (2)

Screw 6-32x1" (2)

Clevis Pin  
5/16"x1-1/2"

Clevis Pin  
5/16"x1"

Clevis Pin  
5/16"x1-1/4"

Rope

## ASSEMBLY STEP 1

### Assemble the Rail and Install the Trolley

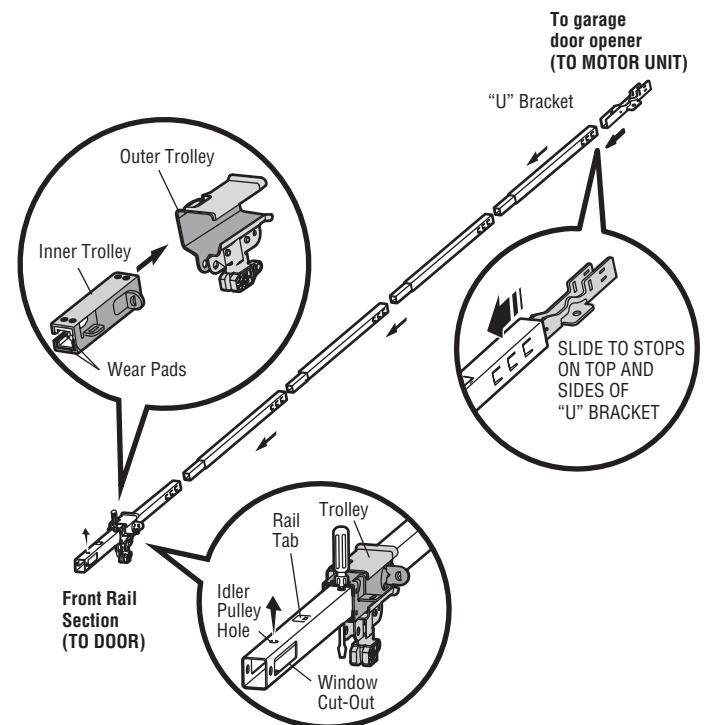
To avoid installation difficulties, do not run the garage door opener until instructed to do so.

The front rail has a cut out "window" at the door end. The front rail has a rail tab. This tab **MUST** be on the top of the rail when assembled.

1. Remove the straight door arm and hanging bracket packaged inside the front rail and set aside for Installation Steps 5 and 9. **NOTE:** To prevent **INJURY** while unpacking the rail carefully remove the straight door arm stored within the rail section.
2. Align the rail sections on a flat surface as shown and slide the tapered ends into the larger ones. Tabs along the side will lock into place.
3. Place the motor unit on packing material to protect the cover, and rest the back end of the rail on top. For convenience, put a support under the front end of the rail.
4. As a temporary stop, insert a screwdriver into the hole 10" (25 cm) from the front end of the rail, as shown.
5. Check to be sure there are 4 plastic wear pads inside the inner trolley. If they became loose during shipping, check all packing material. Snap them back into position as shown.
6. Slide the trolley assembly along the rail from the back end to the screwdriver.
7. Slide the rail onto the "U" bracket, until it reaches all the stops on the top and sides of the "U" bracket.

### CAUTION

To prevent **INJURY** from pinching, keep hands and fingers away from the joints while assembling the rail.



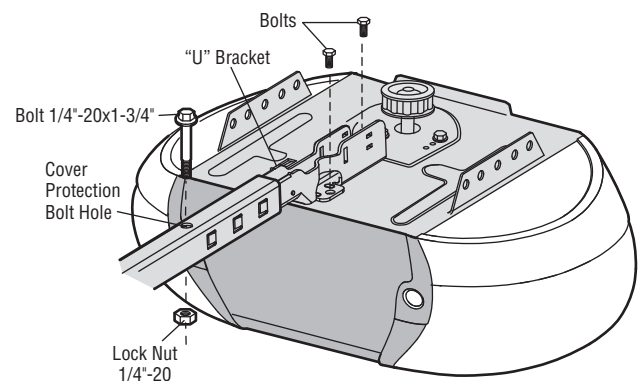
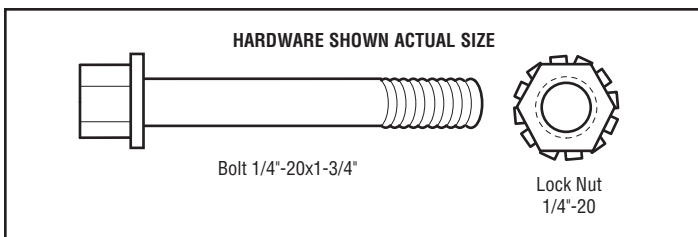
## ASSEMBLY STEP 2

### Fasten the Rail to the Motor Unit

1. Insert a 1/4"-20x1-3/4" bolt into the cover protection bolt hole on the back end of the rail as shown. Tighten securely with a 1/4"-20 lock nut. **DO NOT overtighten.**
2. Remove the two bolts from the top of the motor unit.
3. Use the carton to support the front end of the rail.
4. Place the "U" bracket, flat side down onto the motor unit and align the bracket holes with the bolt holes. Fasten the "U" bracket with the previously removed bolts; **DO NOT** use any power tools. The use of power tools may permanently damage the garage door opener.

### CAUTION

To avoid **SERIOUS** damage to garage door opener, use **ONLY** those bolts/fasteners mounted in the top of the opener.

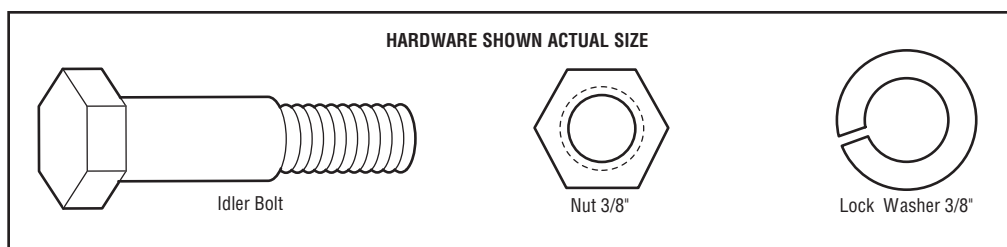
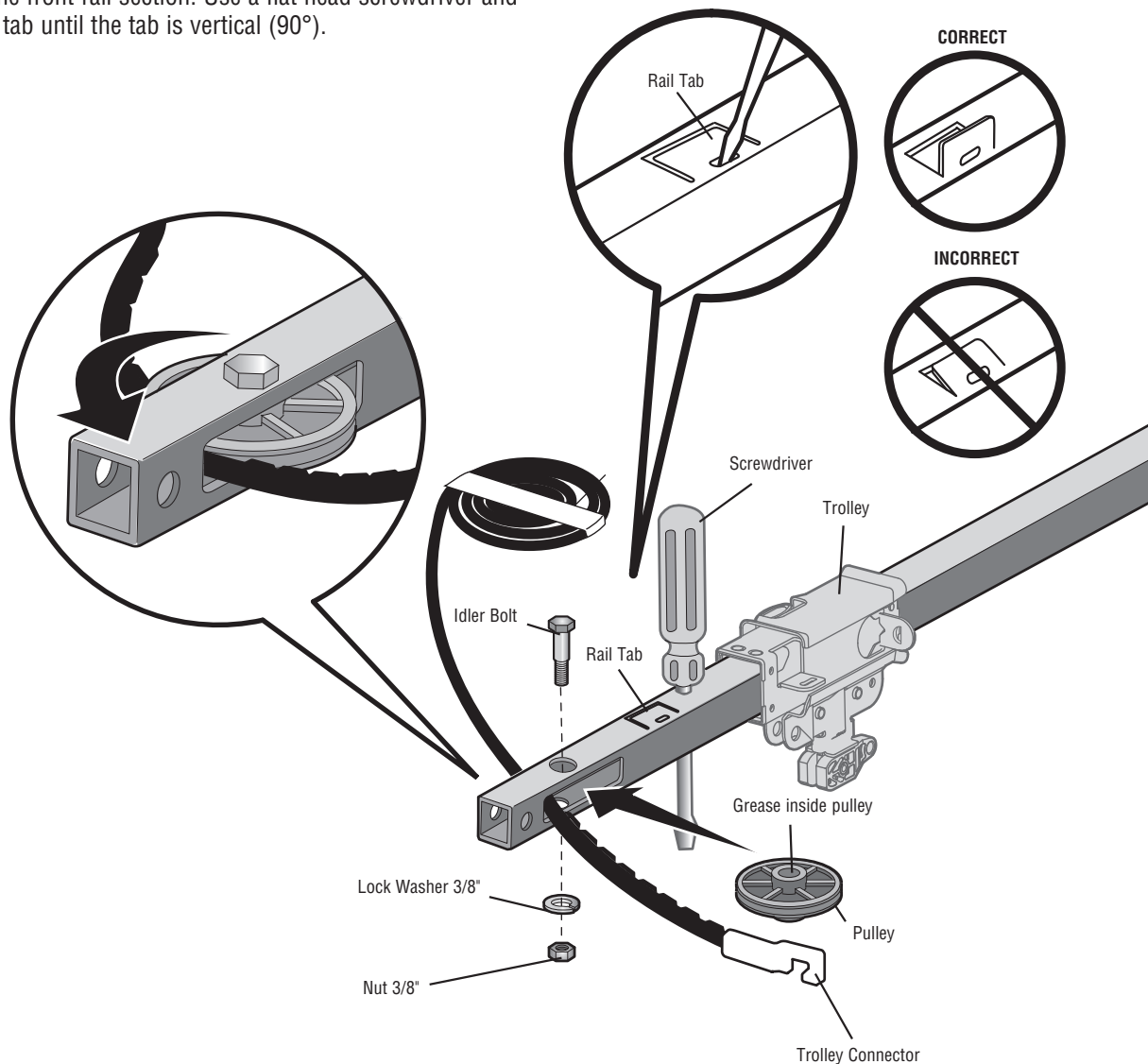




## ASSEMBLY STEP 3

### Install the Idler Pulley

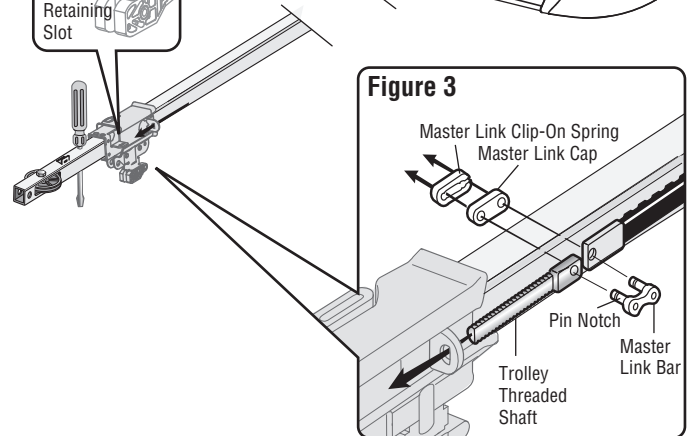
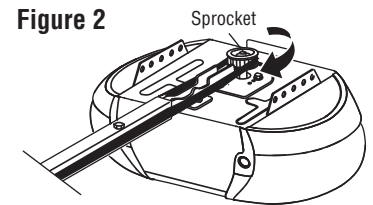
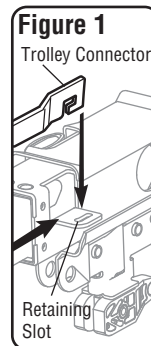
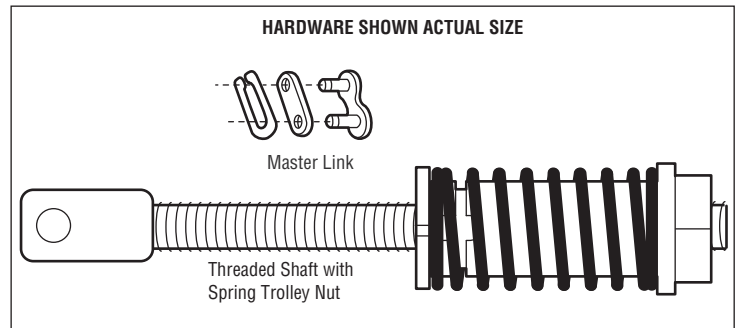
1. Lay the belt beside the rail, as shown. Grasp the end with the hooked trolley connector and pass approximately 12" (30 cm) of belt through the window. Keep the ribbed side toward the rail, and allow it to hang until Assembly Step 4.
2. Remove the tape from the idler pulley.
3. Place the idler pulley into the window as shown.
4. Insert the idler bolt from the top through the rail and pulley. Tighten with a 3/8" lock washer and nut underneath the rail until the lock washer is compressed.
5. Rotate the pulley to be sure it spins freely.
6. Locate the rail tab. The rail tab is between the idler bolt and the trolley in the front rail section. Use a flat head screwdriver and lift the rail tab until the tab is vertical (90°).



## ASSEMBLY STEP 4

### Install the Belt

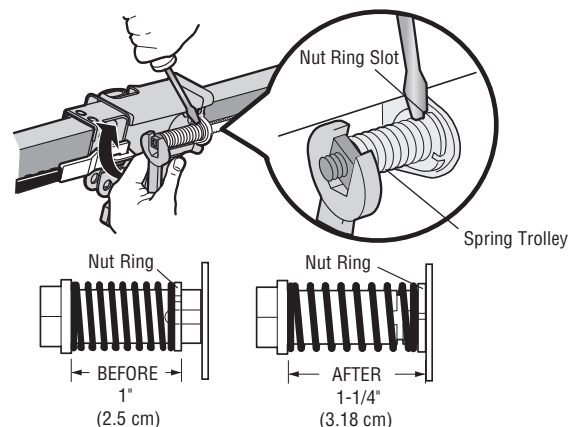
1. Pull the belt around the idler pulley and toward the trolley.  
The ribbed side must contact the pulley.
2. Hook the trolley connector into the retaining slot on the trolley as shown (Figure 1).
3. With the trolley against the screwdriver, dispense the remainder of the belt along the rail length toward the motor unit and around the sprocket (Figure 2). The sprocket teeth must engage the belt.
4. Check to make sure the belt is not twisted. Connect the trolley threaded shaft with the master link (Figure 3).
  - Push pins of master link bar through holes in end of belt and trolley threaded shaft.
  - Push master link cap over pins and past pin notches.
  - Slide clip-on spring over cap and onto pin notches until both pins are securely locked in place.
5. Remove the spring trolley nut from the threaded shaft.
6. Insert the trolley threaded shaft through the hole in the trolley.



## ASSEMBLY STEP 5

### Tighten the Belt

1. By hand, thread the spring trolley nut on the threaded shaft until it is finger tight against the trolley. Do not use any tools. Remove the screwdriver.
2. Insert a flathead screwdriver tip into one of the nut ring slots and brace it firmly against the trolley.
3. Tighten the spring trolley nut with an adjustable wrench or a 7/16" open end wrench about a quarter turn until the spring releases and snaps the nut ring against the trolley. This sets the spring to optimum belt tension.



## ASSEMBLY STEP 6

### Install the Sprocket Cover

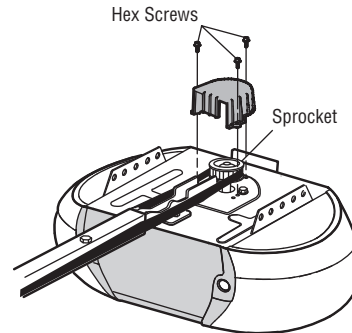
1. Position the sprocket cover over the sprocket as shown and fasten to the mounting plate with 8x3/8" hex screws provided.

*You have now finished assembling your garage door opener. Please read the following warnings before proceeding to the installation section.*

#### HARDWARE SHOWN ACTUAL SIZE



Hex Screw 8x3/8"  
(Packed with the sprocket cover)



## ⚠ WARNING

To avoid possible **SERIOUS INJURY** to fingers from moving garage door opener:

- ALWAYS keep hand clear of sprocket while operating opener.
- Securely attach sprocket cover **BEFORE** operating.

## INSTALLATION

### IMPORTANT INSTALLATION INSTRUCTIONS

#### ⚠ ⚠ WARNING

### To reduce the risk of **SEVERE INJURY** or **DEATH**:

1. READ AND FOLLOW ALL INSTALLATION WARNINGS AND INSTRUCTIONS.
2. Install garage door opener **ONLY** on properly balanced and lubricated garage door. An improperly balanced door may **NOT** reverse when required and could result in **SEVERE INJURY** or **DEATH**.
3. ALL repairs to cables, spring assemblies and other hardware **MUST** be made by a trained door systems technician **BEFORE** installing opener.
4. Disable **ALL** locks and remove **ALL** ropes connected to garage door **BEFORE** installing opener to avoid entanglement.
5. Install garage door opener 7 feet (2.1 m) or more above floor.
6. Mount the emergency release within reach, but at least 6 feet (1.83 m) above the floor and avoiding contact with vehicles to avoid accidental release.
7. **NEVER** connect garage door opener to power source until instructed to do so.
8. **NEVER** wear watches, rings or loose clothing while installing or servicing opener. They could be caught in garage door or opener mechanisms.
9. Install wall-mounted garage door control:
  - within sight of the garage door.
  - out of reach of children at minimum height of 5 feet (1.5 m).
  - away from **ALL** moving parts of the door.
10. Place entrapment warning label on wall next to garage door control.
11. Place manual release/safety reverse test label in plain view on inside of garage door.
12. Upon completion of installation, test safety reversal system. Door **MUST** reverse on contact with a 1-1/2" (3.8 cm) high object (or a 2x4 laid flat) on the floor.
13. To avoid **SERIOUS PERSONAL INJURY** or **DEATH** from electrocution, disconnect **ALL** electric and battery power **BEFORE** performing **ANY** service or maintenance.
14. **DO NOT** enable the Timer-to-Close functionality if operating either one-piece or swinging garage doors. To be enabled **ONLY** when operating a sectional door.

# INSTALLATION STEP 1

## Determine the Header Bracket Location

### **⚠ WARNING**

To prevent possible **SERIOUS INJURY** or **DEATH**:

- Header bracket **MUST** be **RIGIDLY** fastened to structural support on header wall or ceiling, otherwise garage door might **NOT** reverse when required. **DO NOT** install header bracket over drywall.
- Concrete anchors **MUST** be used if mounting header bracket or 2x4 into masonry.
- **NEVER** try to loosen, move or adjust garage door, springs, cables, pulleys, brackets, or their hardware, **ALL** of which are under **EXTREME** tension.
- **ALWAYS** call a trained door systems technician if garage door binds, sticks, or is out of balance. An unbalanced garage door might **NOT** reverse when required.

Installation procedures vary according to garage door types. Follow the instructions which apply to your door.

1. Close the door and mark the inside vertical centerline of the garage door.
2. Extend the line onto the header wall above the door.

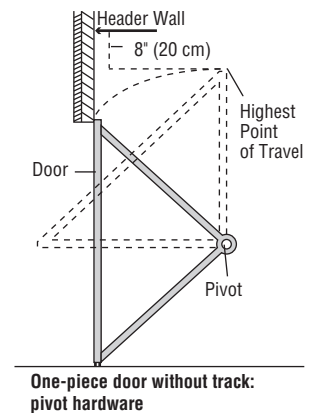
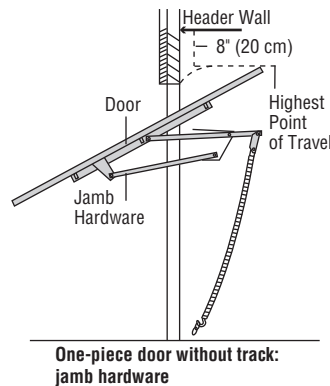
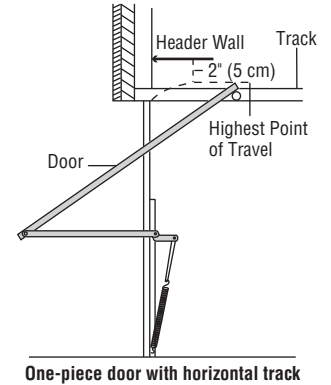
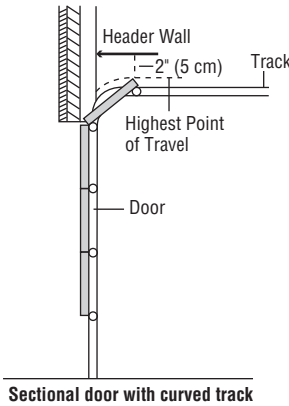
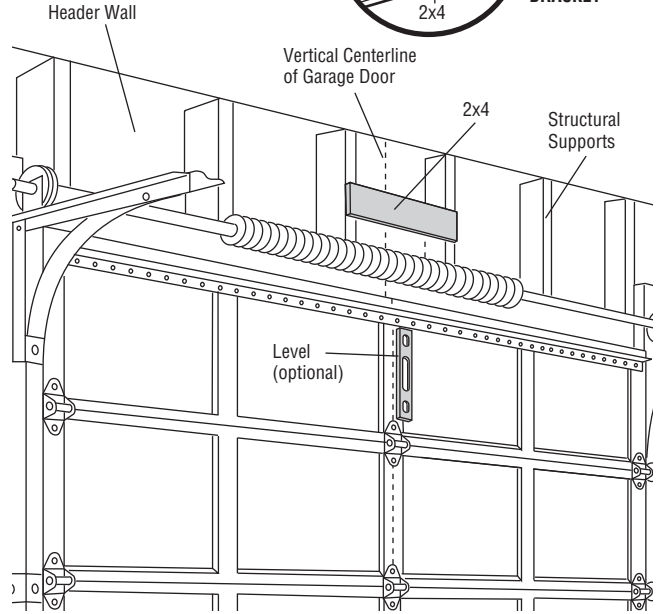
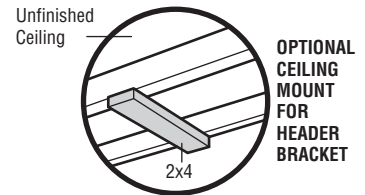
**You can fasten the header bracket within 4 feet (1.22 m) of the left or right of the door center only if a torsion spring or center bearing plate is in the way; or you can attach it to the ceiling (see page 13) when clearance is minimal. (It may be mounted on the wall upside down if necessary, to gain approximately 1/2" (1 cm).)**

If you need to install the header bracket on a 2x4 (on wall or ceiling), use lag screws (not provided) to securely fasten the 2x4 to structural supports as shown here and on page 13.

3. Open your door to the highest point of travel as shown. Draw an intersecting horizontal line on the header wall above the high point:
  - 2" (5 cm) above the high point for sectional door and one-piece door with track.
  - 8" (20 cm) above the high point for one-piece door without track.

This height will provide travel clearance for the top edge of the door.

**NOTE:** If the total number of inches exceeds the height available in your garage, use the maximum height possible, or refer to page 13 for ceiling installation.



## INSTALLATION STEP 2

### Install the Header Bracket

You can attach the header bracket either to the wall above the garage door, or to the ceiling. Follow the instructions which will work best for your particular requirements. **Do not install the header bracket over drywall. If installing into masonry, use concrete anchors (not provided).**

#### WALL HEADER BRACKET INSTALLATION

1. Center the bracket on the vertical centerline with the bottom edge of the bracket on the horizontal line as shown (with the arrow pointing toward the ceiling) (Figure 1).
2. Mark the vertical set of bracket holes. Drill  $3/16"$  pilot holes and fasten the bracket securely to a structural support with the hardware provided.

#### CEILING HEADER BRACKET INSTALLATION

1. Extend the vertical centerline onto the ceiling as shown (Figure 2).
2. Center the bracket on the vertical mark, no more than 6" (15 cm) from the wall. Make sure the arrow is pointing away from the wall. The bracket can be mounted flush against the ceiling when clearance is minimal.
3. Mark the side holes. Drill  $3/16"$  pilot holes and fasten bracket securely to a structural support with the hardware provided.

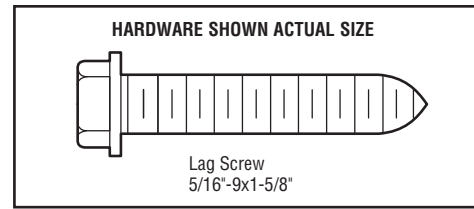


Figure 1

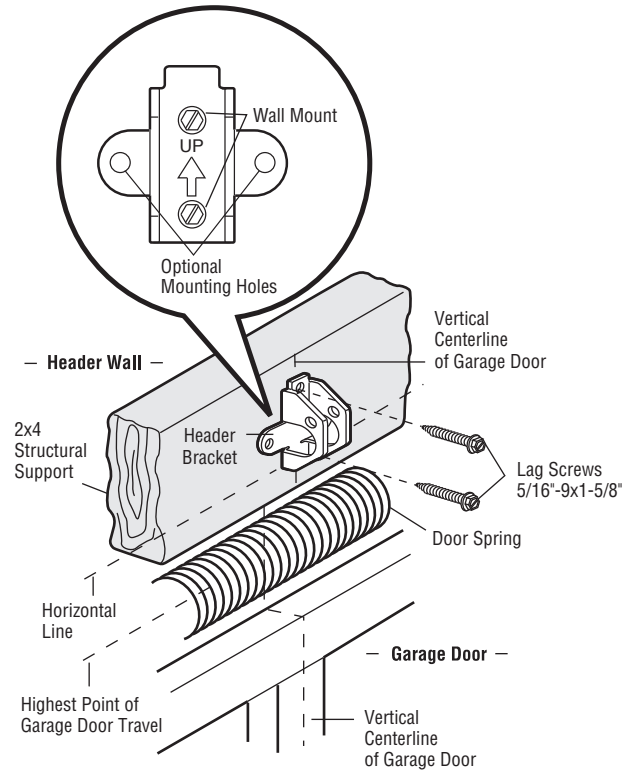
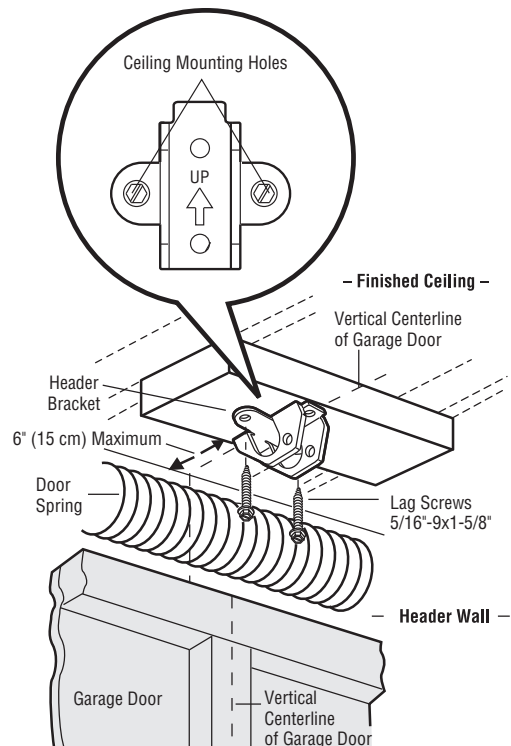


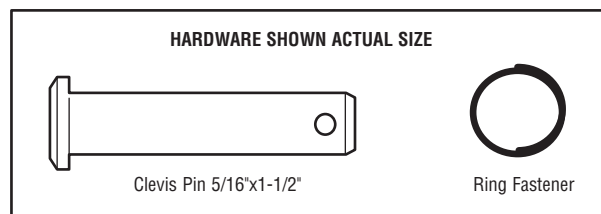
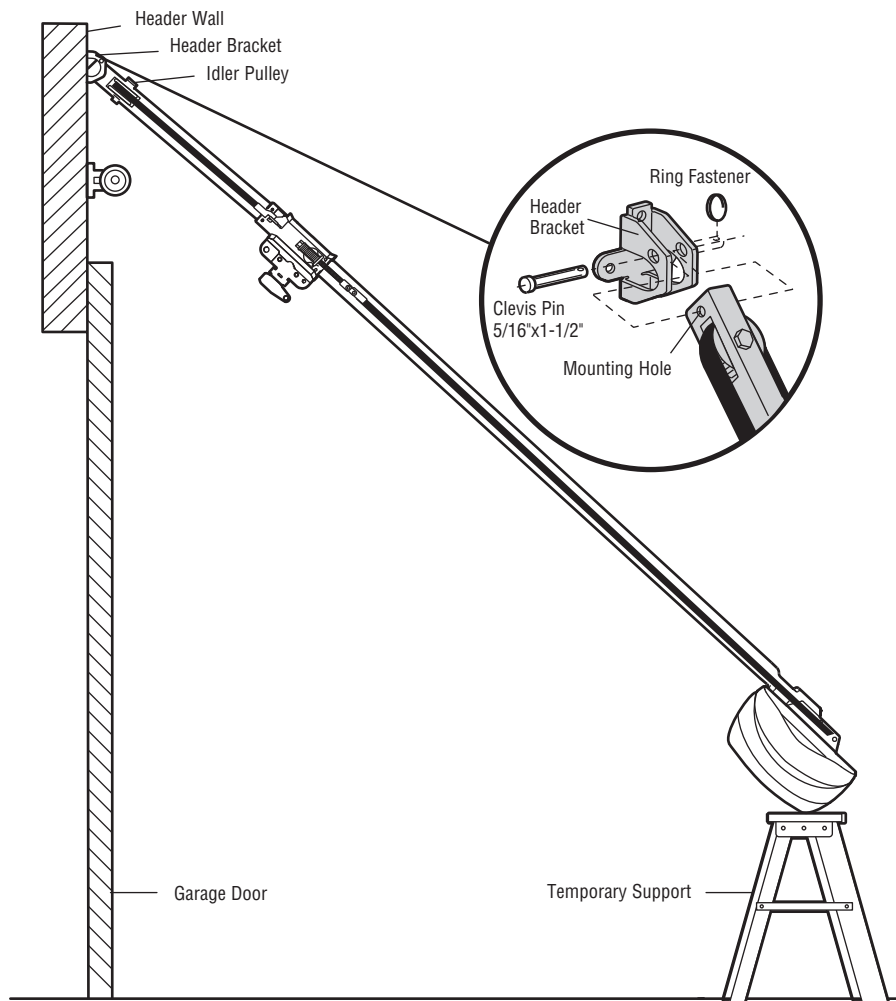
Figure 2



## INSTALLATION STEP 3

### Attach the Rail to the Header Bracket

1. Position the opener on the garage floor below the header bracket. Use packing material as a protective base.  
**NOTE:** If the door spring is in the way, you will need help. Have someone hold the opener securely on a temporary support to allow the rail to clear the spring.
2. Position the rail bracket against the header bracket.
3. Align the bracket holes and join with a clevis pin as shown.
4. Insert a ring fastener to secure.



## INSTALLATION STEP 4

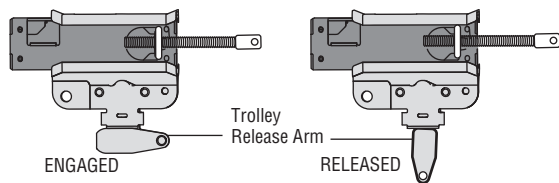
### Position the Opener

Follow instructions which apply to your door type as illustrated.

#### SECTIONAL DOOR OR ONE-PIECE DOOR WITH TRACK

A 2x4 laid flat is convenient for setting an ideal door-to-rail distance.

1. Raise the opener onto a stepladder. You will need help at this point if the ladder is not tall enough.
2. Open the door all the way and place a 2x4 laid flat on the top section beneath the rail (Figure 1).
3. If the top section or panel hits the trolley when you raise the door, pull down on the trolley release arm to disconnect inner and outer sections. Slide the outer trolley toward the motor unit. The trolley can remain disconnected until Installation Step 12 is completed.



#### ONE-PIECE DOOR WITHOUT TRACK

A 2x4 on its side is convenient for setting an ideal door-to-rail distance.

1. Raise the opener onto a stepladder. You will need help at this point if the ladder is not tall enough.
2. Open the door all the way and place a 2x4 on its side on the top section of the door beneath the rail (Figure 2).
3. The top of the door should be level with the top of the motor unit. Do not position the opener more than 4" (10 cm) above this point.

## CAUTION

To prevent damage to garage door, rest garage door opener rail on 2x4 placed on top section of door.

Figure 1

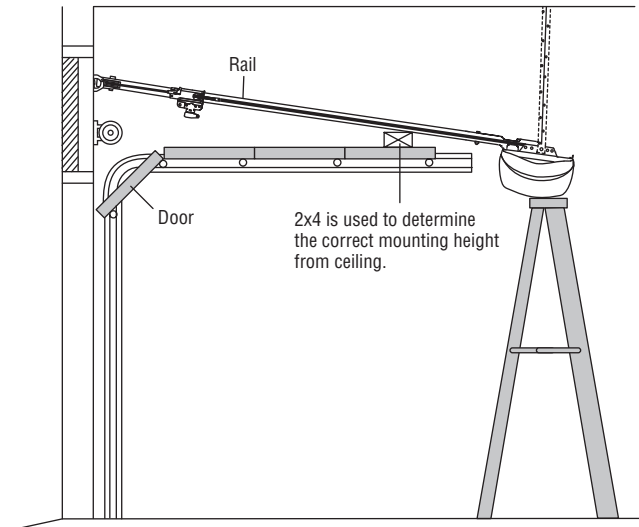
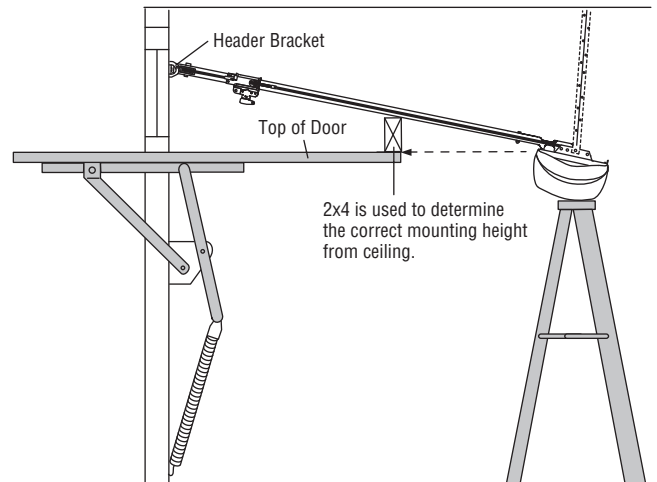


Figure 2



## INSTALLATION STEP 5

### Hang the Opener

Three representative installations are shown. Yours may be different. Hanging brackets should be angled (Figure 1) to provide rigid support. On finished ceilings (Figures 2 and 3), attach a sturdy metal bracket to structural supports before installing the opener. This bracket and fastening hardware are not provided.

1. Measure the distance from each side of the motor unit to the structural support.
2. Cut both pieces of the hanging bracket to required lengths.
3. Drill  $3/16$ " pilot holes in the structural supports.
4. Attach one end of each bracket to a support with  $5/16$ "- $9 \times 1-5/8$ " lag screws.
5. Fasten the opener to the hanging brackets with  $5/16$ "- $18 \times 7/8$ " hex bolts, lock washers and nuts.
6. Check to make sure the rail is centered over the door (or in line with the header bracket if the bracket is not centered above the door).
7. Remove the 2x4. Operate the door manually. If the door hits the rail, raise the header bracket.

**NOTE:** DO NOT connect power to opener at this time.

## ⚠ WARNING

To avoid possible **SERIOUS INJURY** from a falling garage door opener, fasten it **SECURELY** to structural supports of the garage. Concrete anchors **MUST** be used if installing ANY brackets into masonry.

Figure 1

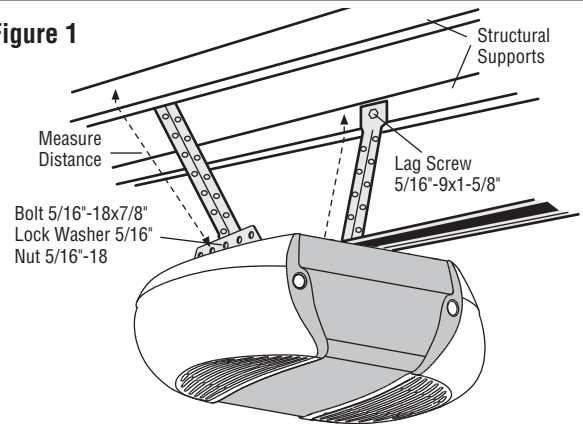


Figure 2

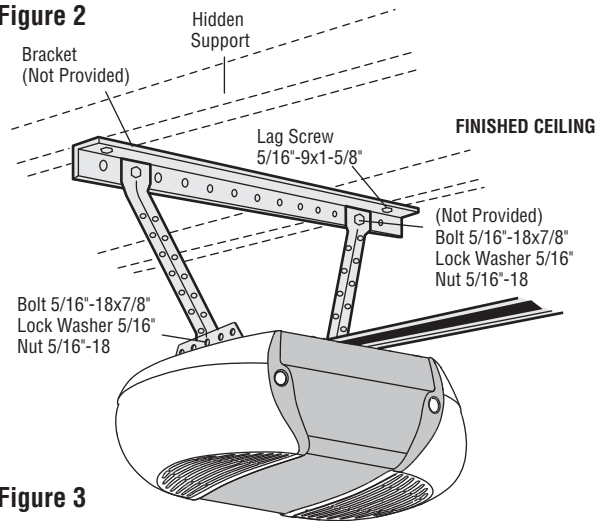
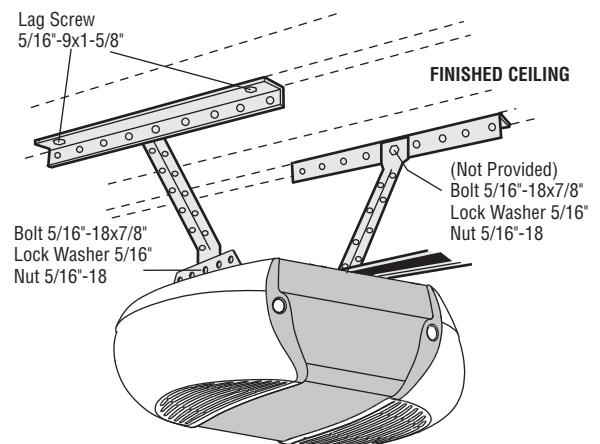
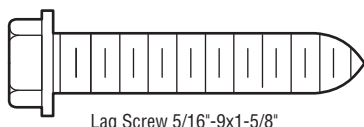


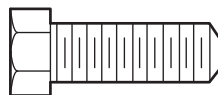
Figure 3



### HARDWARE SHOWN ACTUAL SIZE



Lag Screw  $5/16$ "- $9 \times 1-5/8$ "



Hex Bolt  
 $5/16$ "- $18 \times 7/8$ "



Nut  $5/16$ "-18



Lock Washer  $5/16$ "

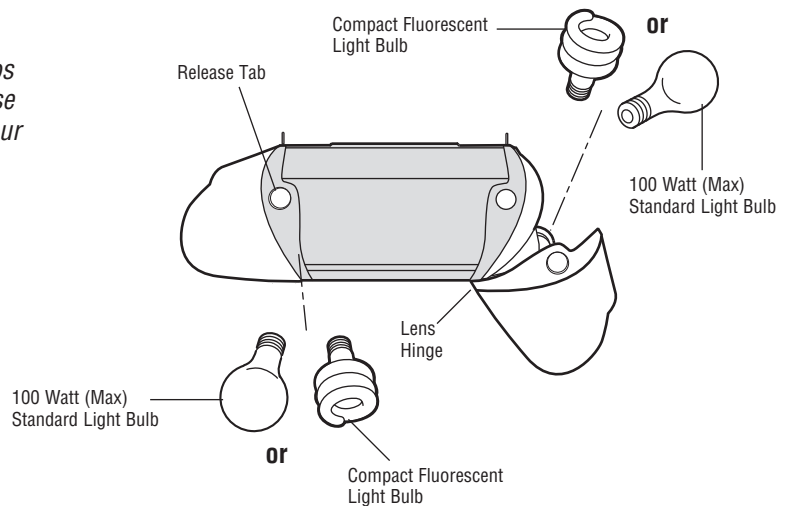


## INSTALLATION STEP 6

### Install the Lights

1. Press the release tabs on both sides of lens. Gently rotate lens back and downward until the lens hinge is in the fully open position. Do not remove the lens.
2. Insert an A19 incandescent or compact fluorescent light bulb (100 watt maximum), into the light socket. The lights will turn ON and remain lit for approximately 4-1/2 minutes when power is connected. Then the lights will turn OFF.
3. Reverse the procedure to close the lens.
4. If the bulbs burn out prematurely due to vibration, replace with a garage door opener bulb. Use A19, standard neck garage door opener for replacement.

**NOTE:** DO NOT use halogen, short neck, or specialty light bulbs as these may overheat the end panel or light socket. Do not use LED bulbs as they may reduce the range or performance of your remote control(s).



## CAUTION

To prevent possible OVERHEATING of the end panel or light socket:

- Use ONLY A19 incandescent or compact fluorescent light bulbs.
- DO NOT use incandescent bulbs larger than 100W.
- DO NOT use compact fluorescent light bulbs larger than 26W (100W) equivalent.
- DO NOT use halogen bulbs.
- DO NOT use short neck or specialty light bulbs.

## INSTALLATION STEP 7

### Attach the Emergency Release Rope and Handle

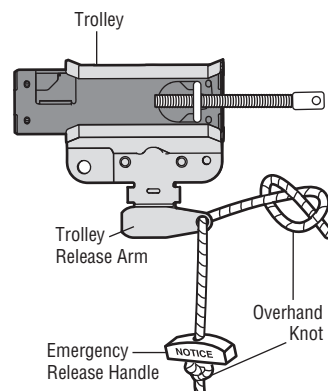
1. Insert one end of the emergency release rope through the handle. Make sure that "NOTICE" is right side up. Tie a knot at least 1 inch (2.5 cm) from the end of the emergency release rope.
2. Insert the other end of the emergency release rope through the hole in the trolley release arm. Mount the emergency release within reach, but at least 6 feet (1.83 m) above the floor, avoiding contact with vehicles to prevent accidental release and secure with a knot.

**NOTE:** If it is necessary to cut the emergency release rope, seal the cut end with a match or lighter to prevent unraveling. Ensure the emergency release rope and handle are above the top of all vehicles to avoid entanglement.

## WARNING

To prevent possible SERIOUS INJURY or DEATH from a falling garage door:

- If possible, use emergency release handle to disengage trolley ONLY when garage door is CLOSED. Weak or broken springs or unbalanced door could result in an open door falling rapidly and/or unexpectedly.
- NEVER use emergency release handle unless garage doorway is clear of persons and obstructions.
- NEVER use handle to pull door open or closed. If rope knot becomes untied, you could fall.



## INSTALLATION STEP 8

### Fasten the Door Bracket

Follow instructions which apply to your door type as illustrated below or on the following page.

**A horizontal reinforcement brace should be long enough to be secured to two or three vertical supports. A vertical reinforcement brace should cover the height of the top panel.**

Figure 1 shows one piece of angle iron as the horizontal brace. For the vertical brace, 2 pieces of angle iron are used to create a U-shaped support. The best solution is to check with your garage door manufacturer for an opener installation door reinforcement kit.

**NOTE:** Many door reinforcement kits provide for direct attachment of the clevis pin and door arm. In this case you will not need the door bracket; proceed to Step 9.

### SECTIONAL DOORS

1. Center the door bracket on the previously marked vertical centerline used for the header bracket installation. Note correct UP placement, as stamped inside the bracket.
2. Position the top edge of the bracket 2"-4" (5-10 cm) below the top edge of the door, OR directly below any structural support across the top of the door.
3. Mark, drill holes and install as follows, depending on your door's construction:

**Metal or light weight doors using a vertical angle iron brace between the door panel support and the door bracket:**

- Drill 3/16" fastening holes. Secure the door bracket using the two 1/4"-14x5/8" self-threading screws (Figure 2A).
- Alternately, use two 5/16" bolts, lock washers and nuts (not provided) (Figure 2B).

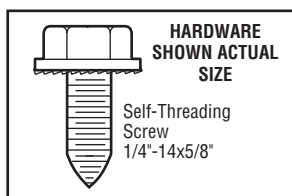
**Metal, insulated or light weight factory reinforced doors:**

- Drill 3/16" fastening holes. Secure the door bracket using the self-threading screws (Figure 3).

**Wood Doors:**

- Use top and bottom or side to side door bracket holes. Drill 5/16" holes through the door and secure bracket with 5/16"x2" carriage bolts, lock washers and nuts (not provided) (Figure 4).

**NOTE:** The 1/4"-14x5/8" self-threading screws are not intended for use on wood doors.



### CAUTION

Fiberglass, aluminum or lightweight steel garage doors **WILL REQUIRE** reinforcement **BEFORE** installation of door bracket. Contact your door manufacturer for reinforcement kit.

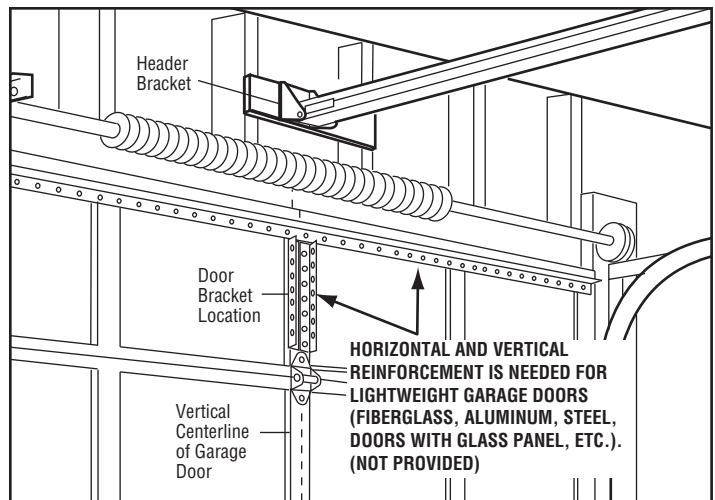


Figure 1

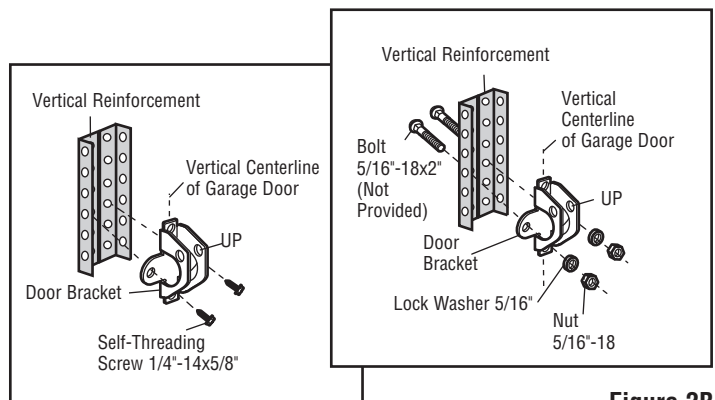


Figure 2A

Figure 2B

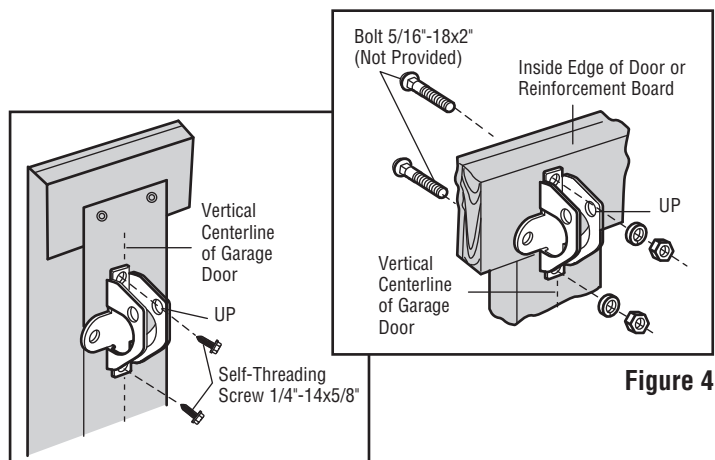


Figure 3

Figure 4

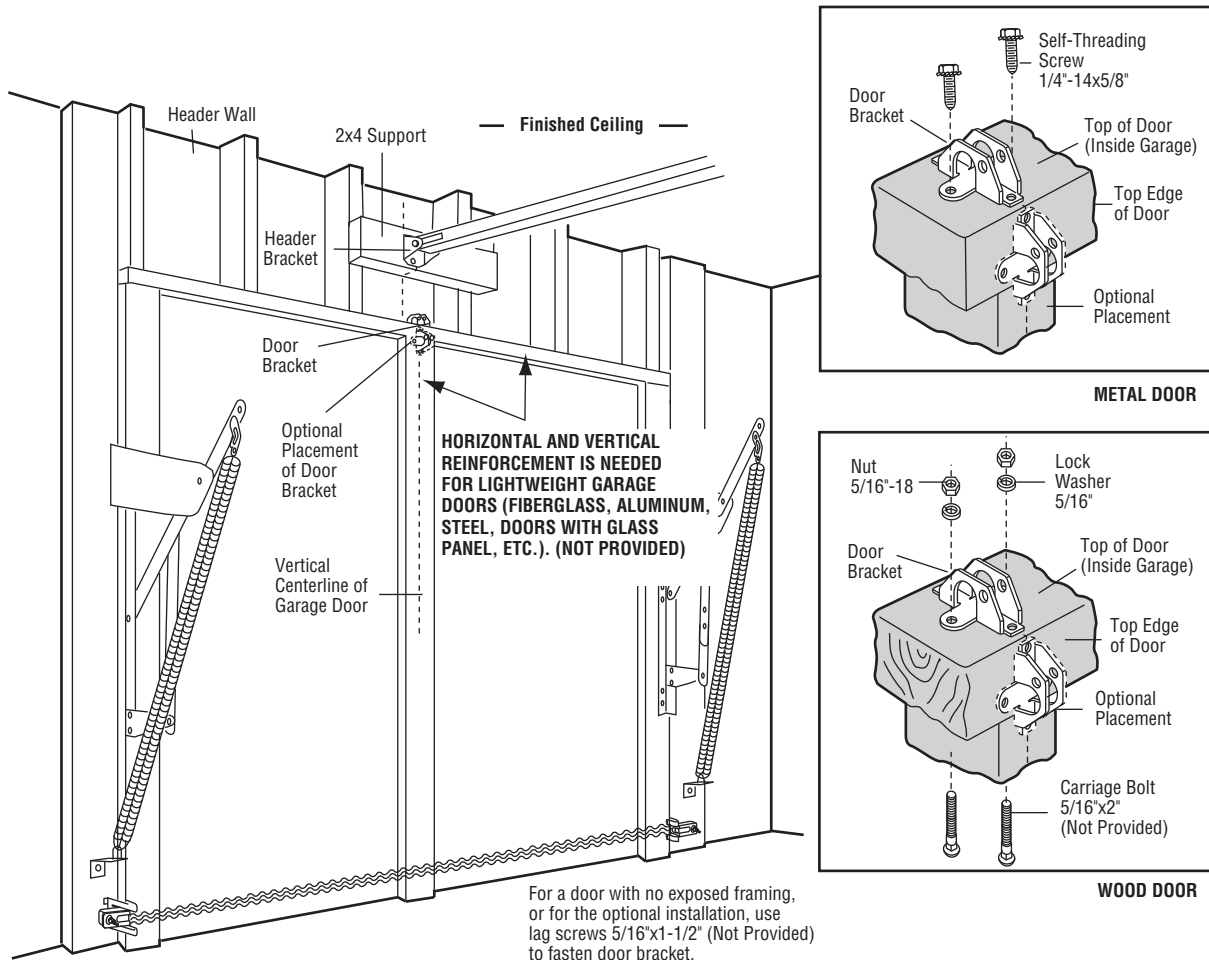
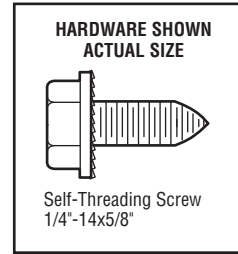
## Fasten the Door Bracket (Continued)

### ONE-PIECE DOORS

Please read and comply with the warnings and reinforcement instructions on the previous page. They apply to one-piece doors also.

- Center the door bracket on the top of the door, in line with the header bracket as shown. Mark either the left and right, or the top and bottom holes.
- **Metal Doors:** Drill 3/16" pilot holes and fasten the bracket with the 1/4"-14x5/8" self-threading screws provided.
- **Wood Doors:** Drill 5/16" holes and use 5/16"x2" carriage bolts, lock washers and nuts (not provided) or 5/16"x1-1/2" lag screws (not provided) depending on your installation needs.

**NOTE:** The door bracket may be installed on the top edge of the door if required for your installation. (Refer to the dotted line optional placement drawing.)



# INSTALLATION STEP 9

## Connect Door Arm to Trolley

Follow instructions which apply to your door type as illustrated below and on the following page.

**IMPORTANT:** The groove on the straight door arm **MUST** face away from the curved door arm (Figure 4).

### SECTIONAL DOORS ONLY

1. Make sure garage door is fully closed. Pull the emergency release handle to disconnect the outer trolley from the inner trolley. Slide the outer trolley back (away from the pulley) about 8" (20 cm) as shown in Figures 1, 2 and 3.
2. Fasten straight door arm section to outer trolley with the 5/16"x1" clevis pin. Secure the connection with a ring fastener (Figure 1).
3. Fasten curved section to the door bracket in the same way, using the 5/16"x1-1/4" clevis pin.
4. Bring arm sections together. Find two pairs of holes that line up and join sections. Select holes as far apart as possible to increase door arm rigidity (Figure 2).

### Hole alignment alternative (Figure 3):

- If holes in curved arm are above holes in straight arm, disconnect straight arm. Cut about 6" (15 cm) from the solid end. Reconnect to trolley with cut end down as shown.
- Bring arm sections together.
- Find two pairs of holes that line up and join with bolts, lock washers and nuts.

Pull the emergency release handle toward the opener at a 45° angle so that the trolley release arm is horizontal. Trolley will re-engage automatically when opener is operated during the adjustments.

Figure 1

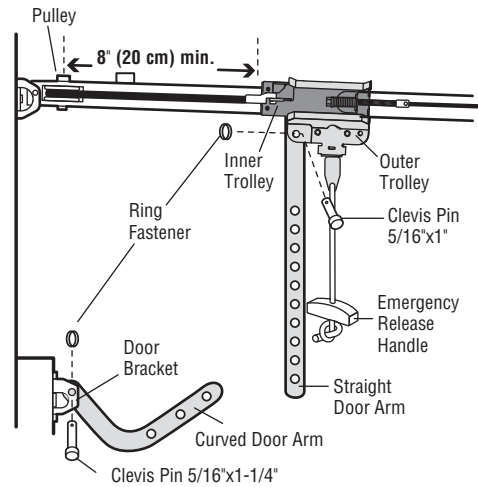


Figure 2

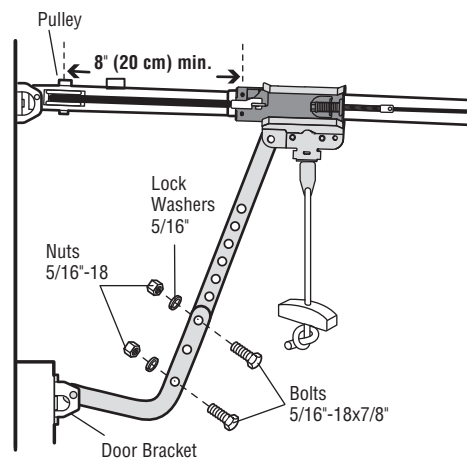


Figure 3

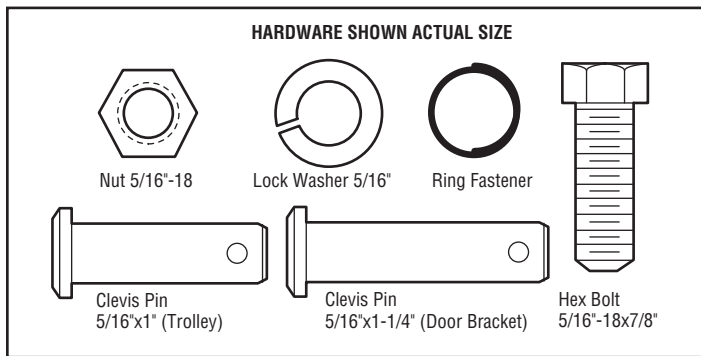
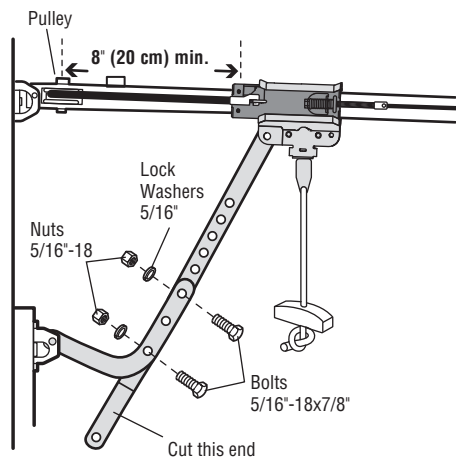
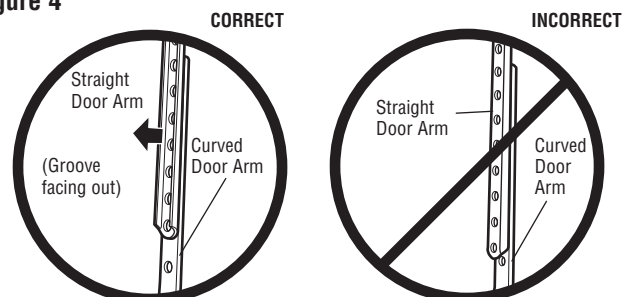


Figure 4

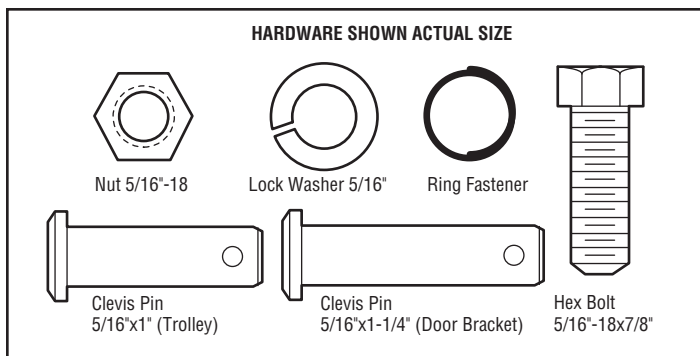


## Connect Door Arm to Trolley (Continued)

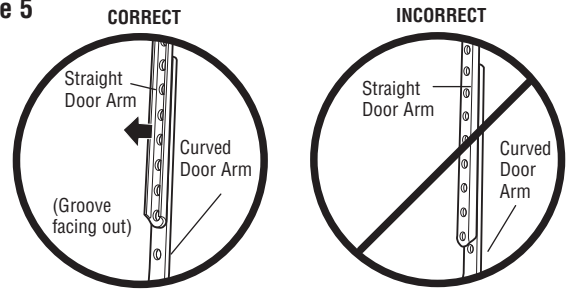
### ALL ONE-PIECE DOORS

**IMPORTANT:** The groove on the straight door arm **MUST** face away from the curved door arm (Figure 5).

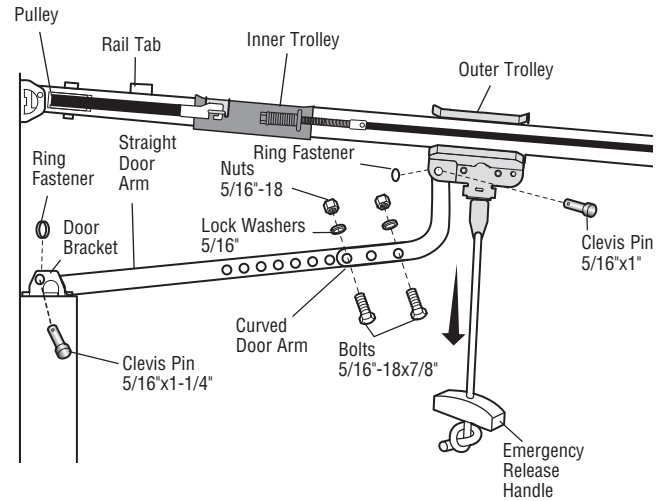
1. Close the door. Disconnect the trolley by pulling the emergency release handle.
2. Fasten the straight door arm and the curved door arm together to the longest possible length (with a 2 or 3 hole overlap).
3. Attach the straight door arm to the door bracket using the 5/16"x1-1/4" clevis pin. Secure with the ring fastener.
4. Attach the curved door arm to the trolley using the 5/16"x1" clevis pin. Secure with the ring fastener.
5. Pull the emergency release handle toward the garage door opener until the trolley release arm is horizontal.



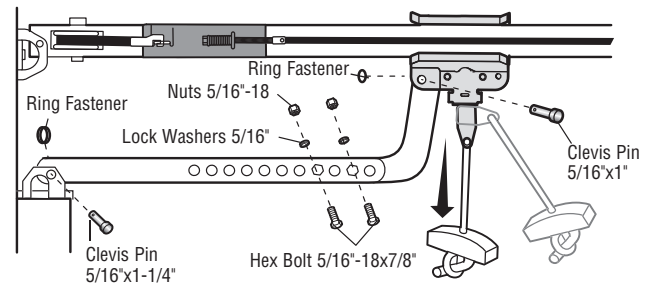
**Figure 5**



**Figure 6 One-Piece Door Without Track**



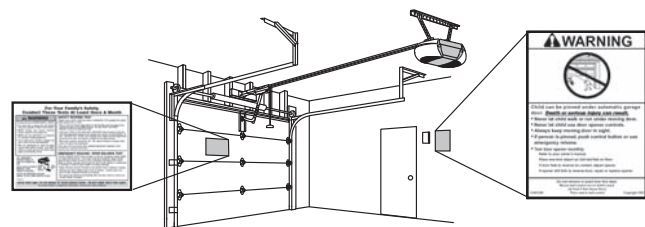
**Figure 7 One-Piece Door With Track**



## INSTALLATION STEP 10

### Attach the Warning Labels

1. Attach the entrapment warning label on the wall near the door control with tacks or staples.
2. Attach the manual release/safety reverse test label in a visible location on the inside of the garage door.



## INSTALLATION STEP 11

### Install the Door Control

#### INTRODUCTION

**NOTE:** Older Craftsman door controls and third party products are not compatible.

Your garage door opener is compatible with up to 2 AssureLink™ door controls.

Install the door control within sight of the door at a minimum height of 5 feet (1.5 m) where small children cannot reach, and away from the moving parts of the door.

**NOTE:** For gang box installations it is not necessary to drill holes or install the drywall anchors. Use the existing holes in the gang box.

#### WIRE THE DOOR CONTROL (FIGURE 1)

1. Strip 7/16 inch (11 mm) of insulation from one end of the wire and separate the wires.
2. Connect one wire to each of the two screws on the back of the door control. The wires can be connected to either screw.

**Pre-wired installations:** Choose any two wires to connect, but make note of which wires are used so that the correct wires are connected to the garage door opener in a later step.

#### MOUNT THE DOOR CONTROL (FIGURE 2)

1. Mark the location of the bottom mounting hole and drill a 5/32 inch (4 mm) hole.
2. Install the bottom screw, allowing 1/8 inch (3 mm) to protrude from the wall.
3. Position the bottom hole of the door control over the screw and slide down into place.
4. Lift the push bar and mark the top hole.
5. Remove the door control from the wall and drill a 5/32 inch (4 mm) hole for the top screw.
6. Position the bottom hole of the door control over the screw and slide down into place. Attach the top screw.

#### WIRE THE DOOR CONTROL TO THE GARAGE DOOR OPENER (FIGURE 3)

**Pre-wired installations:** When wiring the door control to the garage door opener make sure you use the same wires that are connected to the door control.

1. Run the white and red/white wire from the door control to the garage door opener. Attach the wire to the wall and ceiling with the staples (not applicable for gang box or pre-wired installations). Do not pierce the wire with the staple as this may cause a short or an open circuit.
2. Strip 7/16 inch (11 mm) of insulation from the other end of the wire near the garage door opener.
3. Connect the wire to the red and white terminals on the garage door opener.

## ⚠️ WARNING

To prevent possible SERIOUS INJURY or DEATH from electrocution:

- Be sure power is NOT connected BEFORE installing door control.
- Connect ONLY to 12 VOLT low voltage wires.

To prevent possible SERIOUS INJURY or DEATH from a closing garage door:

- Install door control within sight of garage door, out of reach of children at a minimum height of 5 feet (1.5 m), and away from ALL moving parts of door.
- NEVER permit children to operate or play with door control push buttons or remote control transmitters.
- Activate door ONLY when it can be seen clearly, is properly adjusted, and there are no obstructions to door travel.
- ALWAYS keep garage door in sight until completely closed. NEVER permit anyone to cross path of closing garage door.

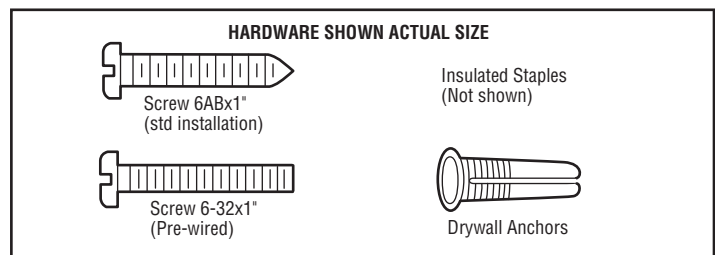


Figure 1

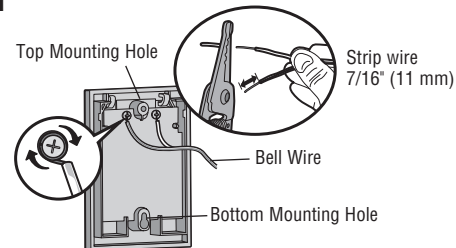
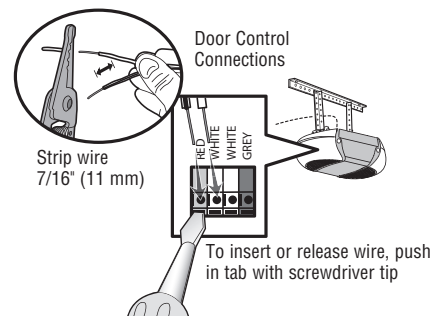
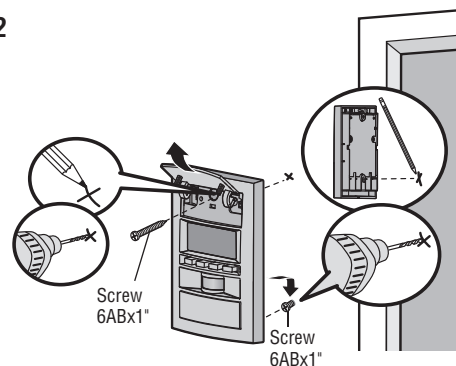


Figure 2



## INSTALLATION STEP 12

### Install The Protector System®

#### IMPORTANT INFORMATION ABOUT THE SAFETY REVERSING SENSOR

The safety reversing sensor must be connected and aligned correctly before the garage door opener will move in the down direction.

The sending sensor (with an amber LED) transmits an invisible light beam to the receiving sensor (with a green LED). If an obstruction breaks the light beam while the door is closing, the door will stop and reverse to the full open position, and the garage door opener lights will flash 10 times.

**NOTE:** For energy efficiency the garage door opener will enter sleep mode when the door is fully closed. The sleep mode shuts the garage door opener down until activated. The sleep mode is sequenced with the garage door opener light bulb; as the light bulb turns off the sensor LEDs will turn off and whenever the garage door opener lights turn on the sensor LEDs will light. The garage door opener will not go into the sleep mode until the garage door opener has completed 5 cycles upon power up.

When installing the safety reversing sensors check the following:

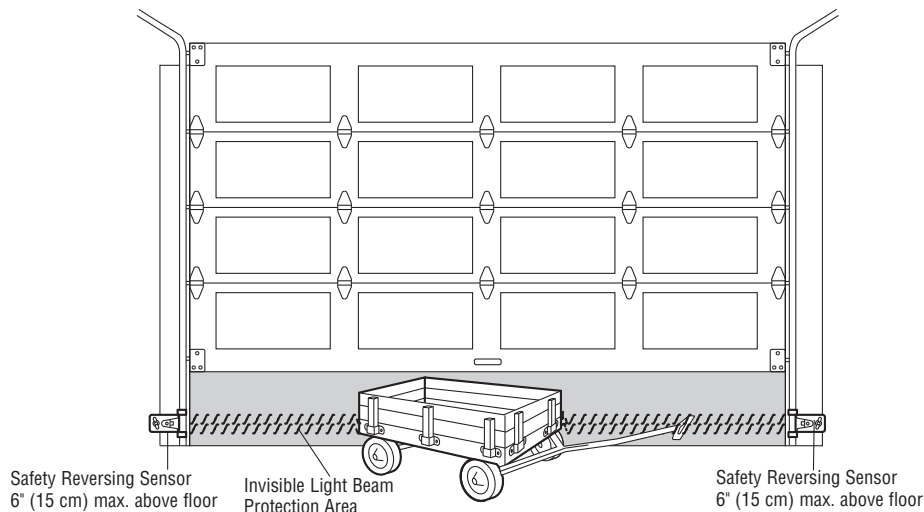
- Sensors are installed inside the garage, one on either side of the door.
- Sensors are facing each other with the lenses aligned and the receiving sensor lens does not receive direct sunlight.
- Sensors are no more than 6 inches (15 cm) above the floor and the light beam is unobstructed.

## ⚠ WARNING

Be sure power is NOT connected to the garage door opener BEFORE installing the safety reversing sensor.

To prevent SERIOUS INJURY or DEATH from a closing garage door:

- Correctly connect and align the safety reversing sensor. This required safety device MUST NOT be disabled.
- Install the safety reversing sensor so beam is NO HIGHER than 6" (15 cm) above garage floor.



Facing the door from inside the garage

## Install The Protector System® (Continued)

### INSTALLING THE BRACKETS

**Be sure power to the opener is disconnected.** Install and align the brackets so the sensors will face each other across the garage door, with the beam no higher than 6" (15 cm) above the floor. They may be installed in one of three ways, as follows.

#### Garage door track installation (preferred):

1. Slip the curved arms over the rounded edge of each door track, with the curved arms facing the door. Snap into place against the side of the track. It should lie flush, with the lip hugging the back edge of the track, as shown in Figure 1.

If your door track will not support the bracket securely, wall installation is recommended.

#### Wall installation (Figures 2 & 3):

1. Place the bracket against the wall with curved arms facing the door. Be sure there is enough clearance for the sensor beam to be unobstructed.
2. If additional depth is needed, an extension bracket (see Accessories) or wood blocks can be used.
3. Use bracket mounting holes as a template to locate and drill (2) 3/16" diameter pilot holes on the wall at each side of the door, no higher than 6" (15 cm) above the floor.
4. Attach brackets to wall with lag screws (not provided).
5. If using extension brackets or wood blocks, adjust right and left assemblies to the same distance out from the mounting surface. Make sure all door hardware obstructions are cleared.

#### Floor installation (Figure 4):

1. Use wood blocks or extension brackets (see Accessories) to elevate sensor brackets so the lenses will be no higher than 6" (15 cm) above the floor.
2. Carefully measure and place right and left assemblies at the same distance out from the wall. Be sure all door hardware obstructions are cleared.
3. Fasten to the floor with concrete anchors as shown.

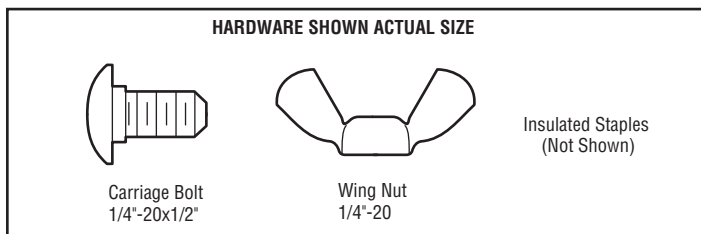


Figure 1

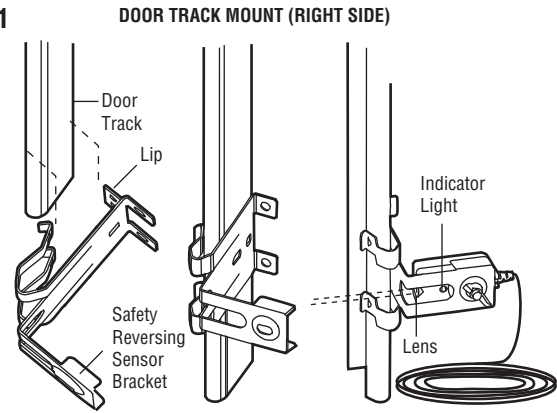


Figure 2

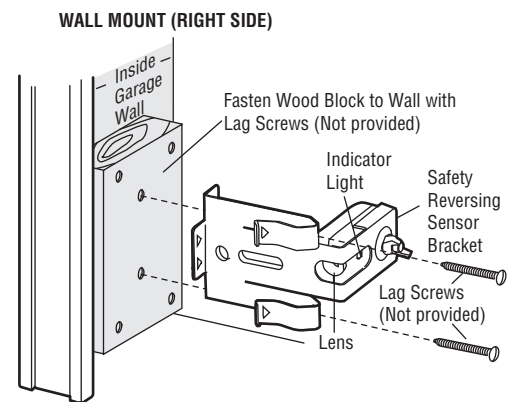


Figure 3

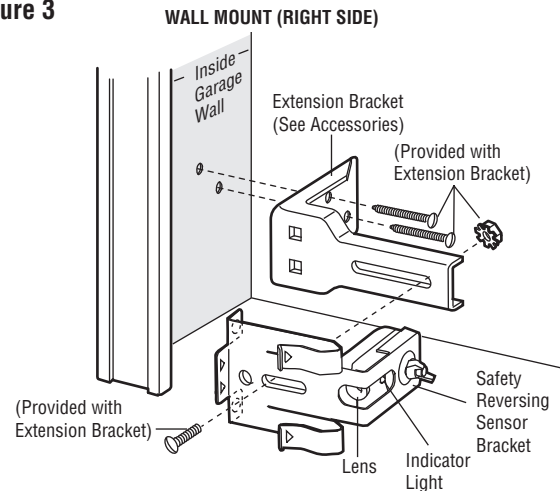
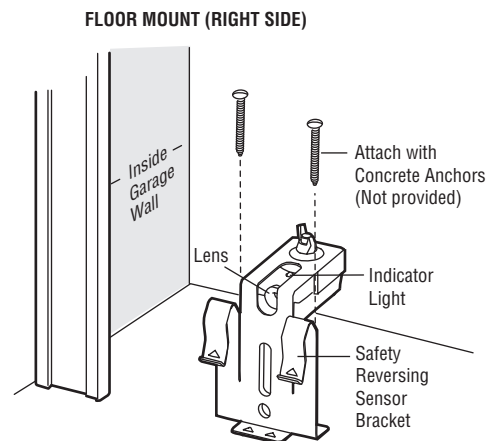


Figure 4





## Install The Protector System® (Continued)

### MOUNTING AND WIRING THE SAFETY REVERSING SENSORS

#### Mounting:

1. Slide a 1/4"-20x1/2" carriage bolt head into the slot on each sensor. Use wing nuts to fasten sensors to brackets, with lenses pointing toward each other across the door. Be sure the lens is not obstructed by a bracket extension (Figure 5).
2. Finger tighten the wing nuts.

#### Option A - Installation Without Pre-Wiring:

1. Run the bell wire from both sensors to the garage door opener. Attach the wire to the wall and ceiling with the staples (Figure 6).

#### Option B - Pre-Wired Installation:

If your garage already has wires installed for the safety reversing sensors, follow the instructions below:

1. Cut the end of the safety sensor wire, making sure there is enough wire to reach the pre-installed wires from the wall (Figure 7).
2. Separate the safety sensor wires and strip 7/16 inch (11 mm) of insulation from each end. Choose two of the pre-installed wires and strip 7/16 inch (11 mm) of insulation from each end. Make sure that you choose the same color pre-installed wires for each sensor (Figure 8).
3. Connect the pre-installed wires to the sensor wires with wire nuts making sure the colors correspond for each sensor (Figure 9).

#### CONNECT TO GARAGE DOOR OPENER:

1. Strip 7/16 inch (11 mm) of insulation from each set of wires. Separate white and white/black wires sufficiently to connect to the opener quick-connect terminals. Twist like colored wires together. Insert wires into quick-connect holes: white to white and white/black to grey (Figure 10).

Figure 5

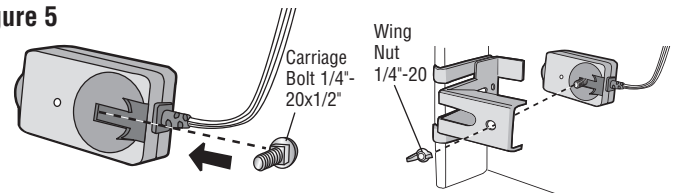


Figure 6

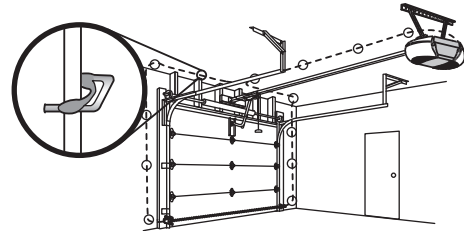


Figure 7

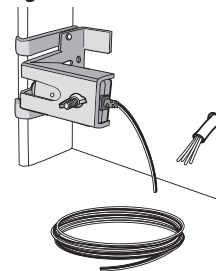


Figure 8

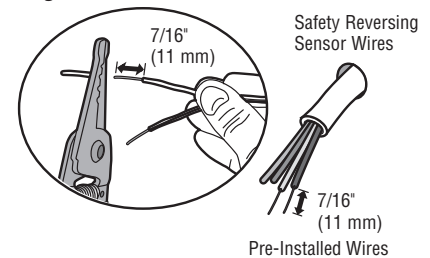


Figure 9

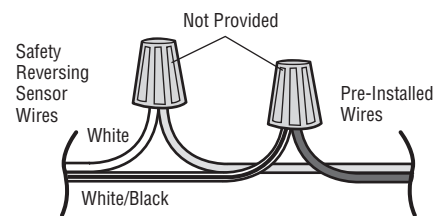
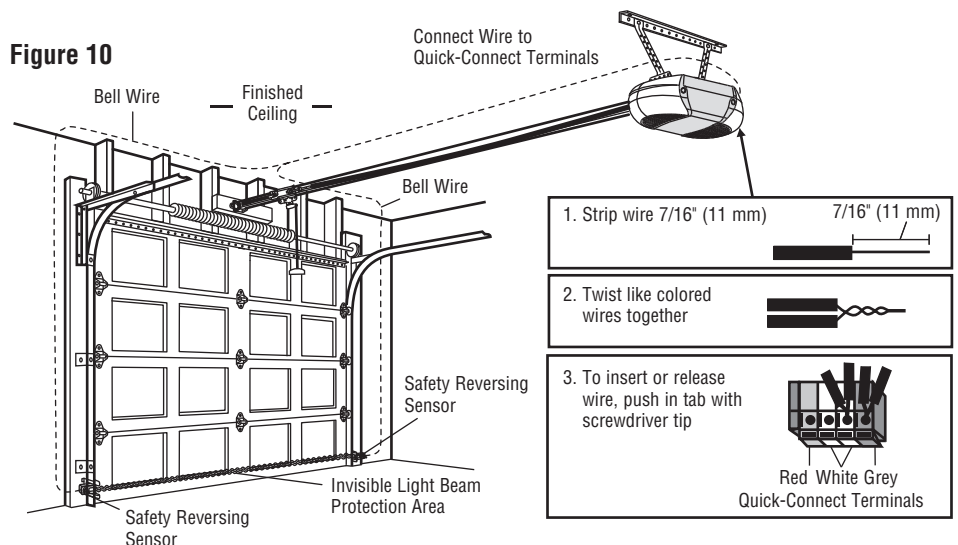


Figure 10



## INSTALLATION STEP 13

### Electrical Requirements

To avoid installation difficulties, do not run the opener at this time.

To reduce the risk of electric shock, your garage door opener has a grounding type plug with a third grounding pin. This plug will only fit into a grounding type outlet. If the plug doesn't fit into the outlet you have, contact a qualified electrician to install the proper outlet.

#### THERE ARE TWO OPTIONS FOR CONNECTING POWER:

##### OPTION A TYPICAL WIRING

1. Plug in the garage door opener into a grounded outlet.
2. DO NOT run garage door opener at this time.

##### OPTION B PERMANENT WIRING (Models manufactured BEFORE April 12, 2013)

If permanent wiring is required by your local code, refer to the following procedure. To make a permanent connection through the 7/8 inch hole in the top of the motor unit (according to local code):

1. Be sure power is NOT connected to the opener, and disconnect power to circuit.
2. Remove the garage door opener cover and set aside.
3. Remove the attached green ground terminal.
4. Cut black and white wires and strip away 1/2 inch (1 cm) of insulation, 3 inch (7.5 cm) before spade terminals.
5. Remove the power cord from opener.
6. Install a conduit or flex cable adapter to the 7/8 inch hole.
7. Run wires through conduit, cut to proper length and strip insulation.
8. Attach with wire nuts provided. Attach the ground wire to the green ground screw. The opener must be grounded.
9. Properly secure wire under plastic ties so that wire does not come in contact with moving parts.
10. Reinstall the cover. DO NOT run garage door opener at this time.

##### OPTION B PERMANENT WIRING (Models manufactured AFTER April 12, 2013)

If permanent wiring is required by your local code, refer to the following procedure. To make a permanent connection through the 7/8 inch hole in the top of the motor unit (according to local code):

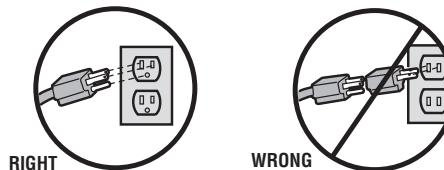
1. Remove the motor unit cover screws and set the cover aside.
2. Remove the attached 3-prong cord.
3. Connect the black (line) wire to the screw on the brass terminal; the white (neutral) wire to the screw on the silver terminal; and the ground wire to the green ground screw. The opener must be grounded.
4. Reinstall the cover.

## ⚡ WARNING

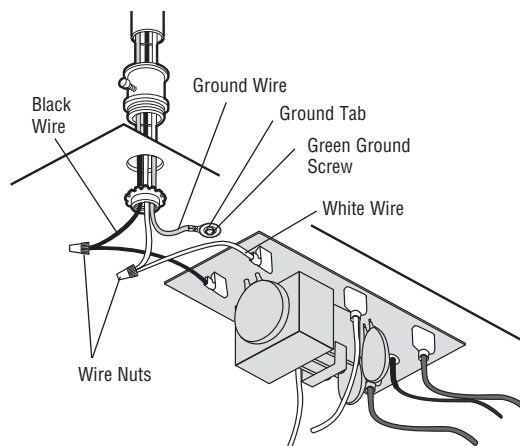
To prevent possible SERIOUS INJURY or DEATH from electrocution or fire:

- Be sure power is NOT connected to the opener, and disconnect power to circuit BEFORE removing cover to establish permanent wiring connection.
- Garage door installation and wiring MUST be in compliance with ALL local electrical and building codes.
- NEVER use an extension cord, 2-wire adapter, or change plug in ANY way to make it fit outlet. Be sure the opener is grounded.

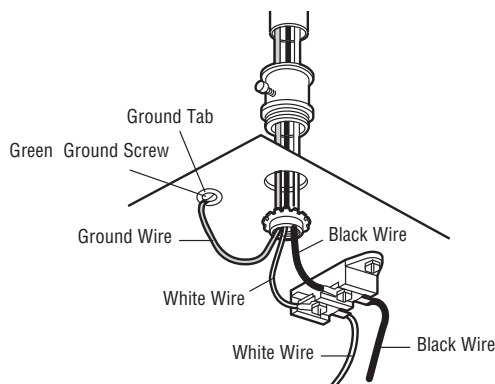
##### Option A Typical Wiring



##### Option B Permanent Wiring (Models manufactured before April 12, 2013)



##### Option B Permanent Wiring (Models manufactured after April 12, 2013)



## INSTALLATION STEP 14

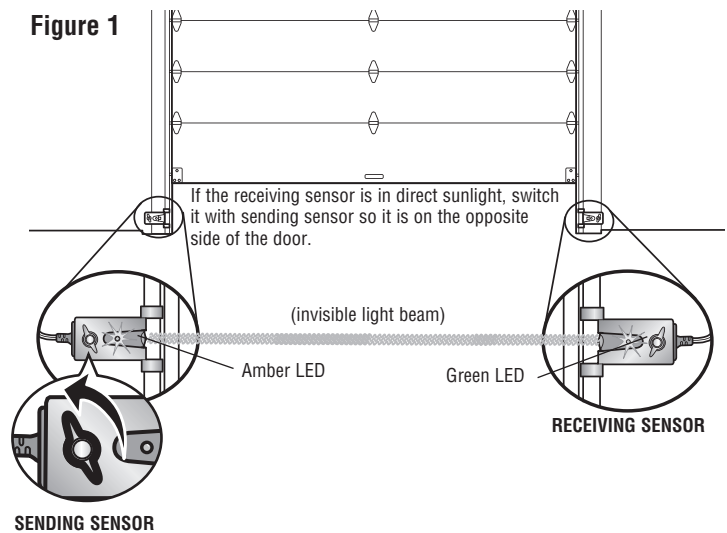
### *Aligning the Safety Reversing Sensors*

The door will not close if the sensors have not been installed and aligned correctly.

When the light beam is obstructed or misaligned while the door is closing, the door will reverse and the garage door opener lights will flash ten times. If the door is already open, it will not close.

1. Check to make sure the LEDs in both sensors are glowing steadily. The LEDs in both sensors will glow steadily if they are aligned and wired correctly (Figure 1).

The sensors can be aligned by loosening the wing nuts, aligning the sensors, and tightening the wing nuts.

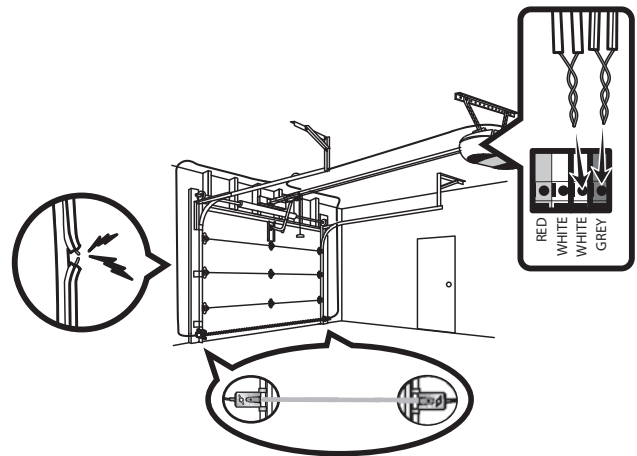


### **IF THE AMBER LED ON THE SENDING SENSOR IS NOT GLOWING:**

1. Make sure there is power to the garage door opener.
2. Make sure the sensor wire is not shorted/broken.
3. Make sure the sensor has been wired correctly: white wires to white terminal and white/black wires to grey terminal.

### **IF THE GREEN LED ON THE RECEIVING SENSOR IS NOT GLOWING:**

1. Make sure the sensor wire is not shorted/broken.
2. Make sure the sensors are aligned.

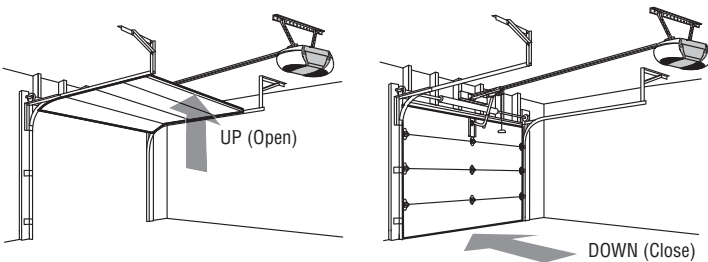


## ADJUSTMENT

### Introduction

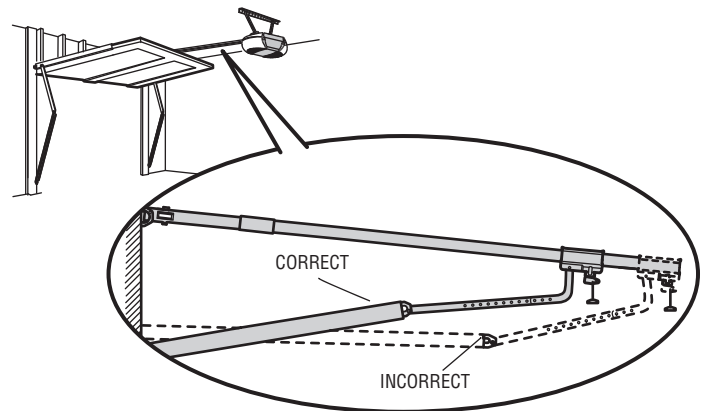
Your garage door opener is designed with electronic controls to make setup and adjustments easy. The adjustments allow you to program where the door will stop in the open (UP) and close (DOWN) position. The electronic controls sense the amount of force required to open and close the door. The force is adjusted automatically when you program the travel.

**NOTE:** If anything interferes with the door's upward travel it will stop. If anything interferes with the door's downward travel, it will reverse.



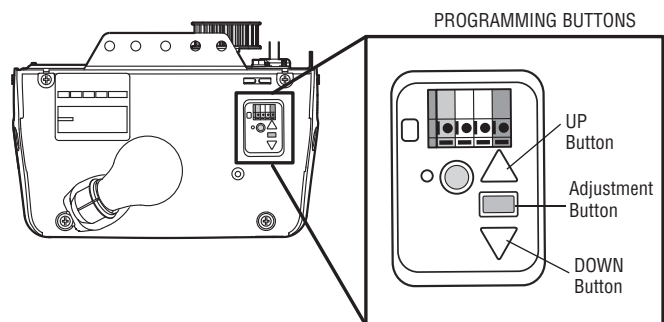
### ONE-PIECE DOORS ONLY

When setting the UP travel for a one-piece door ensure that the door does not slant backwards when fully open (UP). If the door is slanted backwards this will cause unnecessary bucking and/or jerking when the door is opening or closing.



### PROGRAMMING BUTTONS

The programming buttons are located on the left side panel of the garage door opener and are used to program the travel.



## WARNING

Without a properly installed safety reversal system, persons (particularly small children) could be SERIOUSLY INJURED or KILLED by a closing garage door.

- Incorrect adjustment of garage door travel limits will interfere with proper operation of safety reversal system.
- NEVER use force adjustments to compensate for a binding or sticking garage door.
- After ANY adjustments are made, the safety reversal system must be tested. Door MUST reverse on contact with 1-1/2" (3.8 cm) high object (or 2x4 laid flat) on floor.

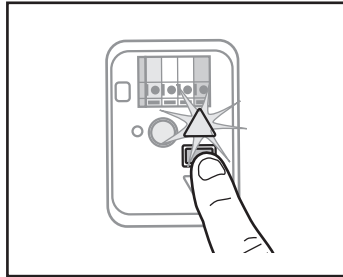
## CAUTION

To prevent damage to vehicles, be sure fully open door provides adequate clearance.

## ADJUSTMENT STEP 1

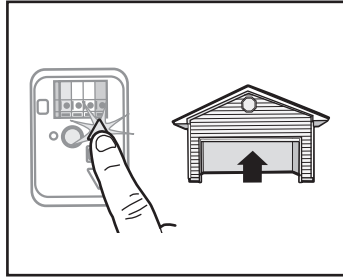
### Program the Travel

1. Press and hold the Adjustment Button until the UP Button begins to flash and/or a beep is heard.



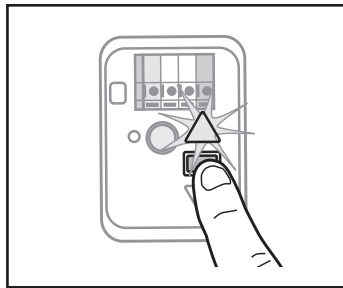
2. Press and hold the UP Button until the door is in the desired UP position.

**NOTE:** The UP and DOWN Buttons can be used to move the door up and down as needed.



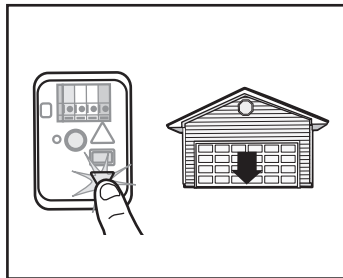
3. Once the door is in the desired UP position press and release the Adjustment Button. The garage door opener lights will flash twice and the DOWN Button will begin to flash.

**IMPORTANT NOTE:** For one-piece door installations refer to page 28.

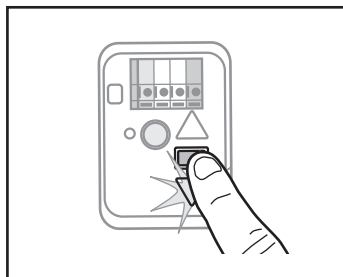


4. Press and hold the DOWN Button until the door is in the desired DOWN position.

**NOTE:** The UP and DOWN Buttons can be used to move the door up and down as needed.



5. Once the door is in the desired DOWN position press and release the Adjustment Button. The garage door opener lights will flash twice and the UP Button will begin to flash.

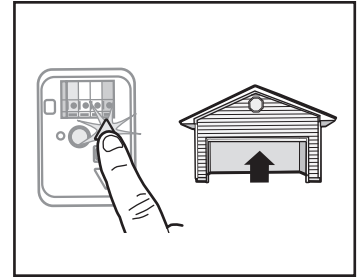


## ⚠ WARNING

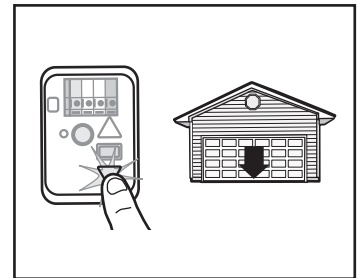
Without a properly installed safety reversal system, persons (particularly small children) could be SERIOUSLY INJURED or KILLED by a closing garage door.

- Incorrect adjustment of garage door travel limits will interfere with proper operation of safety reversal system.
- After ANY adjustments are made, the safety reversal system MUST be tested. Door MUST reverse on contact with 1-1/2" (3.8 cm) high object (or 2x4 laid flat) on floor.

6. Press and release the UP Button. When the door travels to the programmed UP position, the DOWN Button will begin to flash.



7. Press and release the DOWN Button. The door will travel to the programmed DOWN position. Programming is complete.



\* If the garage door opener lights are flashing 5 times during the steps for Program the Travel, the programming has timed out. If the garage door opener lights are flashing 10 times during the steps for Program the Travel, the safety reversing sensors are misaligned or obstructed (refer to page 27). When the sensors are aligned and unobstructed, cycle the door through a complete up and down cycle using the remote control or the UP and DOWN buttons. Programming is complete. If you are unable to operate the door up and door, repeat the steps for Programming the Travel.

## ADJUSTMENT STEP 2

### Test the Safety Reversal System

#### TEST

1. With the door fully open, place a 1-1/2" (3.8 cm) board (or a 2x4 laid flat) on the floor, centered under the garage door.
2. Operate the door in the down direction. The door **must** reverse on striking the obstruction.

#### ADJUST

- If the door stops on the obstruction, it is not traveling far enough in the down direction. Complete Adjustment Step 1.
- NOTE:** On a sectional door, make sure limit adjustments do not force the door arm beyond a straight up and down position. See Figure 3, page 20.
- Repeat the test.
  - When the door reverses on the 1-1/2" (3.8 cm) board (or 2x4 laid flat), remove the obstruction and run the opener through 3 or 4 complete travel cycles to test adjustment.
  - If the unit continues to fail the Safety Reverse Test, call for a trained door systems technician.

#### IMPORTANT SAFETY CHECK:

Test the Safety Reverse System after:

- Each adjustment of door arm length, limits, or force controls.
- Any repair to or adjustment of the garage door (including springs and hardware).
- Any repair to or buckling of the garage floor.
- Any repair to or adjustment of the opener.

## ADJUSTMENT STEP 3

### Test The Protector System®

1. Press the remote control push button to open the door.
2. Place the opener carton in the path of the door.
3. Press the remote control push button to close the door. The door will not move more than an inch (2.5 cm), and the opener lights will flash.

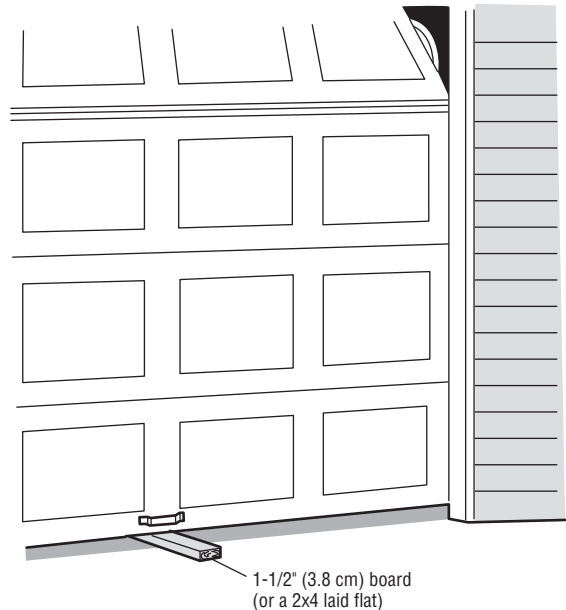
The garage door opener will not close from a remote if the indicator light in either sensor is off (alerting you to the fact that the sensor is misaligned or obstructed).

**If the opener closes the door when the safety reversing sensor is obstructed (and the sensors are no more than 6" (15 cm) above the floor), call for a trained door systems technician.**

## ⚠ WARNING

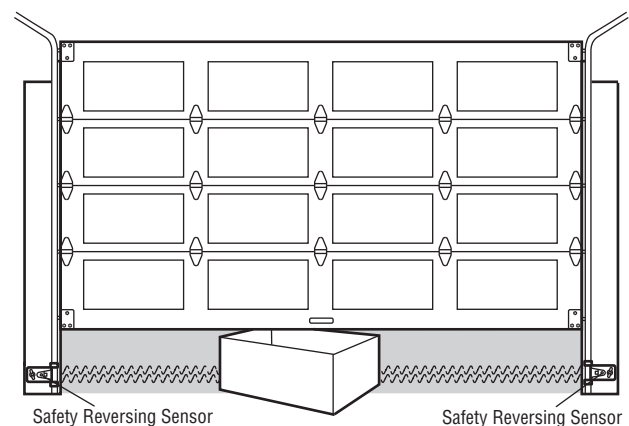
Without a properly installed safety reversal system, persons (particularly small children) could be **SERIOUSLY INJURED** or **KILLED** by a closing garage door.

- Safety reversal system **MUST** be tested every month.
- After **ANY** adjustments are made, the safety reversal system **MUST** be tested. Door **MUST** reverse on contact with 1-1/2" (3.8 cm) high object (or 2x4 laid flat) on the floor.



## ⚠ WARNING

Without a properly installed safety reversing sensor, persons (particularly small children) could be **SERIOUSLY INJURED** or **KILLED** by a closing garage door.

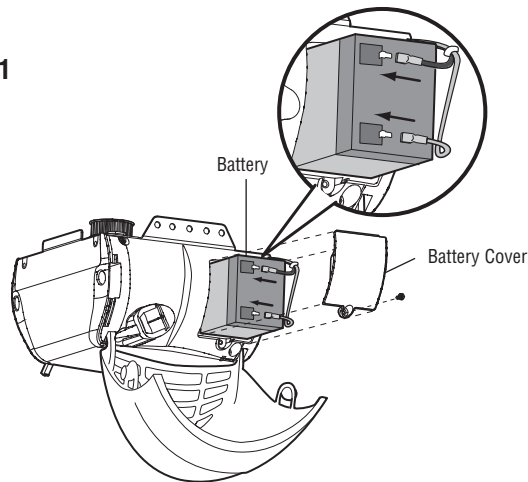


## BATTERY BACKUP

### Install the Battery (Figure 1)

1. Unplug the garage door opener.
2. Open the light lens on the right side panel of the garage door opener. Use a Phillips head screwdriver to remove the battery cover on the garage door opener.
3. Partially insert the battery into the battery compartment with the terminals facing out.
4. Connect red (+) and black (-) wires from the garage door opener to the corresponding terminals on the battery.
5. Replace the battery cover.
6. Plug in the garage door opener.
7. Wait for the green Battery Status LED to start flashing before proceeding to test the battery.

Figure 1



### Test the Battery (Figure 2)

1. Unplug the garage door opener. The battery status LED will either glow solid orange indicating opener is operating on battery power or will flash indicating low battery power.  
**NOTE:** Make sure the garage door opener is unplugged.
2. Open and close the door using the remote control or door control. The garage door opener may run slower if the battery is not fully charged. The battery will take 24 hours to fully charge.
3. Plug in the garage door opener. Verify the battery status LED is flashing green, indicating the battery is charging.

### Charge the Battery

The battery charges when the garage door opener is plugged into a 110 Vac electrical outlet that has power and requires 24 hours to fully charge. A fully charged battery supplies 12Vdc to the garage door opener for one to two days of normal operation during an electrical power outage. After the electrical power has been restored, the battery will recharge within 24 hours. The battery will last approximately 1 to 2 years with normal usage. Instructions for replacement are provided with the battery. To obtain maximum battery life and prevent damage, disconnect the battery when the garage door opener is unplugged for an extended period of time, such as a summer or winter home.

**NOTE:** Door operation may be limited until the battery is fully charged. The garage door opener lights will not turn on during battery backup mode.

## WARNING

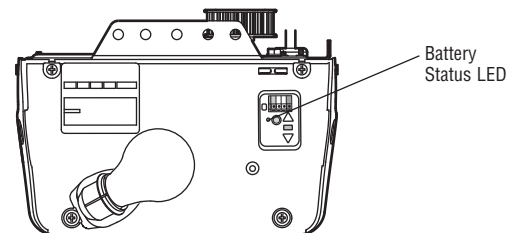
To reduce the risk of FIRE or INJURY to persons:

- Disconnect ALL electric and battery power BEFORE performing ANY service or maintenance.
- Use ONLY Craftsman part #41B822 for replacement battery.
- DO NOT dispose of battery in fire. Battery may explode. Check with local codes for disposal instructions.

## CAUTION

ALWAYS wear protective gloves and eye protection when changing the battery or working around the battery compartment.

Figure 2



### BATTERY STATUS LED

**NOTE:** The Battery Status LED is most visible with the garage door opener light off. Battery does not have to be fully charged to operate the garage door opener.

### GREEN LED:

All systems are normal.

- A solid green LED light indicates the battery is fully charged.
- A flashing green LED indicates the battery is being charged.

### ORANGE LED:

The garage door opener has lost power and is in battery backup mode.

- A solid orange LED with beep, sounding approximately every 2 seconds, indicates the garage door opener is operating on battery power.
- A flashing orange LED with beep, sounding every 30 seconds, indicates the battery is low.

### RED LED:

The garage door opener's 12V battery needs to be replaced.

- A solid red LED with beep, sounding every 30 seconds, indicates the 12V battery will no longer hold a charge and needs to be replaced. Please call for replacement battery to allow your system to operate during a power outage.

# IMPORTANT SAFETY INSTRUCTIONS

## **WARNING**

### To reduce the risk of SEVERE INJURY or DEATH:

1. READ AND FOLLOW ALL WARNINGS AND INSTRUCTIONS.
2. ALWAYS keep remote controls out of reach of children NEVER permit children to operate or play with garage door control push buttons or remote controls.
3. ONLY activate garage door when it can be seen clearly, it is properly adjusted, and there are no obstructions to door travel.
4. ALWAYS keep garage door in sight and away from people and objects until completely closed. NO ONE SHOULD CROSS THE PATH OF THE MOVING DOOR.
5. NO ONE SHOULD GO UNDER A STOPPED, PARTIALLY OPENED DOOR.
6. If possible, use emergency release handle to disengage trolley ONLY when garage door is CLOSED. Use caution when using this release with the door open. Weak or broken springs or unbalanced door could result in an open door falling rapidly and/or unexpectedly and increasing the risk of SEVERE INJURY or DEATH.
7. NEVER use emergency release handle unless garage doorway is clear of persons and obstructions.
8. NEVER use handle to pull garage door open or closed. if rope knot becomes untied, you could fall.
9. After any adjustments are made, the safety reversal system MUST be tested.
10. Safety reversal system MUST be tested every month. Garage door MUST reverse on contact with 1-1/2" (3.8 cm) high object (or a 2x4 laid flat) on the floor. Failure to adjust the garage door opener properly increases the risk of SEVERE INJURY or DEATH.
11. ALWAYS keep garage door properly balanced (see page 2). AN improperly balanced door may NOT reverse when required and could result in SEVERE INJURY or DEATH.
12. ALL repairs to cables, spring assemblies and other hardware, ALL of which are under extreme tension, must be made by a trained door systems technician.
13. ALWAYS disconnect electric power to garage door opener BEFORE making ANY repairs or removing covers.
14. This operator system is equipped with an unattended operation feature. The door could move unexpectedly. NO ONE SHOULD CROSS THE PATH OF THE MOVING DOOR.
15. DO NOT enable the Timer-to-Close functionality if operating either one-piece or swinging garage doors. To be enabled ONLY when operating a sectional door.
16. **SAVE THESE INSTRUCTIONS.**

### Features

Your garage door opener is equipped with features to provide you with greater control over your garage door operation.

#### TIMER-TO-CLOSE

The Timer-to-Close feature automatically closes the door after a specified time period that can be adjusted using the door control. Prior to the door closing there will be an audible and visual alert.

#### ASSURELINK™

AssureLink™ technology uses a 900MHz signal to provide two-way communication between the garage door opener and AssureLink™ accessories. Your garage door opener is compatible with up to 8 AssureLink™ accessories.

#### ASSURELINK™ REMOTE CONTROLS AND DOOR CONTROLS

Your garage door opener has already been programmed at the factory to operate with your remote control, which changes with each use, randomly accessing over 100 billion new codes. Older Craftsman accessories are not compatible.

Accessories	MEMORY CAPACITY
Remote Controls	Up to 8
Door Controls	Up to 2 AssureLink™ door controls.
Keyless Entries	Up to 1

#### THE PROTECTOR SYSTEM® (SAFETY REVERSING SENSORS)

When properly connected and aligned, the safety reversing sensors will detect an obstruction in the path of the infrared beam. If an obstruction breaks the infrared beam while the door is closing, the door will stop and reverse to full open position, and the opener lights will flash 10 times. If the door is fully open, and the safety reversing sensors are not installed, or are misaligned, the door will not close from a remote control. However, you can close the door if you hold the button on the door control or keyless entry until the door is fully closed. The safety reversing sensors do no effect the opening cycle.

#### ENERGY CONSERVATION

For energy efficiency the garage door opener will enter sleep mode when the door is fully closed. The sleep mode shuts the garage door opener down until activated. The sleep mode is sequenced with the garage door opener light bulb; as the light bulb turns off the sensor LEDs will turn off and whenever the garage door opener lights turn on the sensor LEDs will light. The garage door opener will not go into the sleep mode until the garage door opener has completed 5 cycles upon power up.

#### LIGHTS

The garage door opener light bulbs will turn on when the opener is initially plugged in; power is restored after interruption, or when the garage door opener is activated. The lights will turn off automatically after 4-1/2 minutes. An incandescent A19 light bulb (100 watt maximum) or for maximum energy efficiency a 26W (100W equivalent) compact fluorescent light (CFL) bulb may be used.



## Features (Continued)

### USING YOUR GARAGE DOOR OPENER

The garage door opener can be activated through a wall-mounted door control, remote control, wireless keyless entry or AssureLink™ accessory.

When the door is closed and the garage door opener is activated the door will open. If the door senses an obstruction or is interrupted while opening the door will stop. When the door is in any position other than closed and the garage door opener is activated the door will close. If the garage door opener senses an obstruction while closing, the door will reverse. If the obstruction

interrupts the sensor beam the garage door opener lights will blink 10 times. However, you can close the door if you hold the button on the door control or keyless entry until the door is fully closed. The safety reversing sensors do no effect the opening cycle.

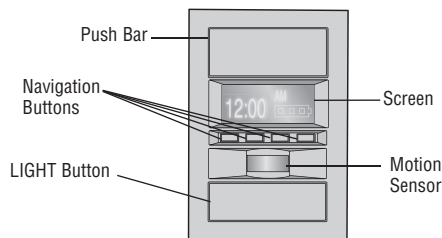
The safety reversing sensor must be connected and aligned correctly before the garage door opener will move in the down direction.

## Door Control

### SYNCHRONIZE THE DOOR CONTROL

To synchronize the door control to the garage door opener, press the push bar until the garage door opener activates (it may take up to 3 presses). Test the door control by pressing the push bar, each press of the push bar will activate the garage door opener.

### USING THE DOOR CONTROL



#### Push Bar

Press the push bar to open or close the door.

#### Light Button

Press the LIGHT button to turn the garage door opener lights on or off. When the lights are turned on they will stay on until the LIGHT button is pressed again, or until the garage door opener is activated. Once the garage door opener is activated the lights will turn off after the specified period of time (the factory setting is 4-1/2 minutes). The LIGHT button will not control the lights when the door is in motion. The duration of the light timing can be adjusted using the door control.

#### Navigation Buttons

Use the navigation buttons to make selections and program features.

#### Screen

The screen will display the time and temperature until the menu button is pressed, and then it will display the menu options. If there is a problem with the garage door opener the screen will display the Diagnostic Code. Refer to the Troubleshooting section.

The following features are accessible through the screen using the navigation buttons on the Smart Control Panel:

### LEARN A DEVICE

Any compatible remote controls, wireless keyless entry, or AssureLink™ accessories can be programmed to the garage door opener by accessing the menu and using the navigation buttons on the Smart Control Panel.

### Lock

The LOCK feature is designed to prevent activation of the garage door opener from remote controls while still allowing activation from the door control and keyless entry. This feature is useful for added peace of mind when the home is empty (i.e. vacation).

### Timer-to-Close (TTC)

DO NOT enable TTC if operating a one-piece door. TTC is to be used ONLY with sectional doors.

Factory default is set to off. TTC can be set to automatically close your garage door from the fully open position after a specified period of time (1, 5, 10 minute intervals). The Smart Control Panel also has a custom setting up to 99 minutes. The garage door opener will beep and the lights will flash before closing the door. The screen on the door control will display the status of the TTC such as time to close, paused, or an error. If the door encounters an obstruction while closing, the garage door opener will make a second attempt to close the door. If the obstruction has not been cleared after the second attempt, the garage door opener will reverse open, stop and WILL NOT close until the obstruction has been cleared. TTC WILL NOT work if the garage door opener is operating by battery power or if the safety reversing sensors are misaligned. This feature is NOT intended to be the primary method of closing the door. **A keyless entry should be installed in the event of an accidental lock out when using this feature.**

### AUTOMATIC LIGHT

#### Motion Sensor

Factory default is set to on. This feature will automatically turn on the garage door opener lights when motion is sensed. The lights will come on for the set period of time, then shut off.

If using the garage door opener light as a work light disable the Automatic Light Feature, otherwise the light will turn off automatically if you are beyond the range of the sensor.

#### Light Feature

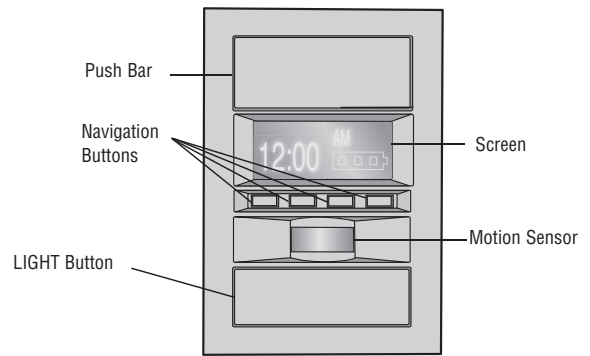
The lights will turn on when someone enters through the open garage door and the safety sensor infrared beam is broken.

## Smart Control Panel Setup

### SCREEN AND MENU NAVIGATION

The main screen displays the time, temperature, and current battery charge (if applicable).

The features on the door control can be programmed through a series of menus on the screen and the navigation buttons. Refer to the descriptions below.



### FEATURES

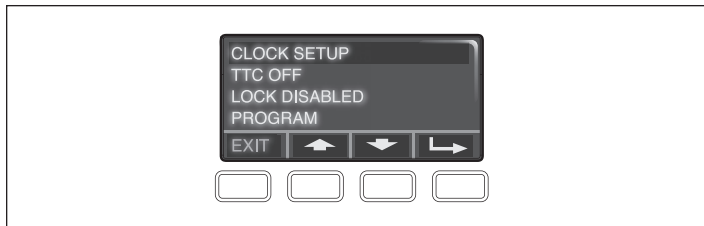
Press the navigation button below "MENU" to view the Features menu.

**Clock Setup:** Set the time, choose 12 or 24 hour clock and show/hide clock.

**TTC settings (for sectional doors only):** Set the Timer-to-Close feature off/on and set the time interval before door closes. **NOTE:** DO NOT enable TTC if operating a one-piece door. TTC is to be used ONLY with sectional doors.

**Lock:** Enable/disable lock.

**Program:** Add remote controls, AssureLink™ devices, an extra remote button to control your garage door opener lights, or a keyless entry.



### SETTINGS

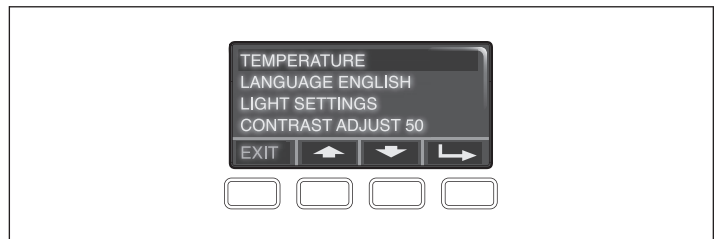
Press the navigation button below the down arrow till you see TEMPERATURE to view the Settings menu.

**Temperature:** Display the temperature in Fahrenheit or Celsius and show/hide the temperature.

**Language:** Select a language (English, French, or Spanish).

**Light Settings:** Set duration for garage door opener light to stay on after operation, selectable range of 1-1/2 to 4-1/2 minutes. Turn the Motion sensor off/on, and turn the entry light feature off/on.

**Contrast:** Adjust the contrast of the screen.



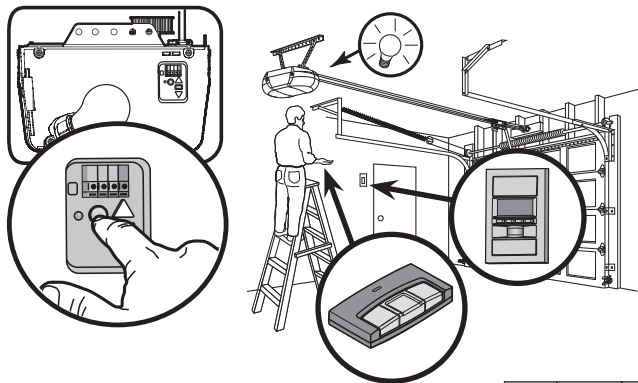
To program a remote control or keyless entry to the garage door opener using the door control see page 35.

## Programming

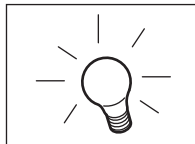
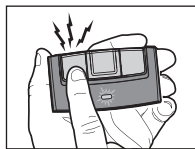
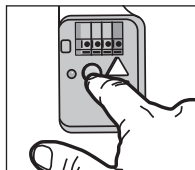
Your garage door opener has been programmed at the factory to operate with your remote control. Older Craftsman® accessories are not compatible, see page 41 for compatible accessories. Programming can be done through the door control or the learn button on the garage door opener. To program additional remote controls refer to the instructions provided with the additional remote controls.

**IMPORTANT NOTE:** If your vehicle is equipped with a Homelink®, you may require an external adapter depending on the make, model and year of your vehicle. Visit [www.homelink.com](http://www.homelink.com) for additional information.

### PROGRAM A REMOTE USING THE LEARN BUTTON

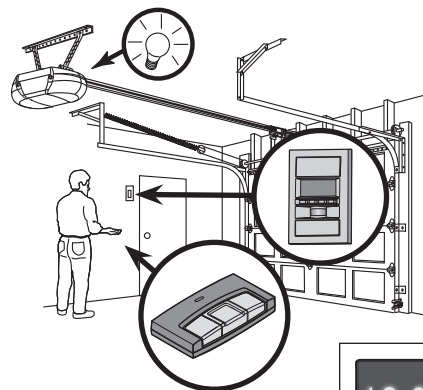


1. Press and release the Learn button on the garage door opener. The Learn indicator light will glow steadily for 30 seconds.
2. Within 30 seconds, press and hold the button on the remote control.
3. Release the button when the garage door opener light blinks. It has learned the code. If light bulbs are not installed, two clicks will be heard.

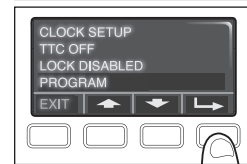
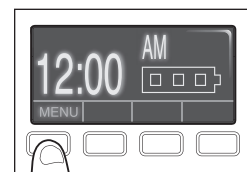


When replacing the light lens cover, ensure the antenna wires are hanging straight down.

### TO ADD, REPROGRAM, OR CHANGE A REMOTE CONTROL/KEYLESS ENTRY PIN USING THE SMART CONTROL PANEL

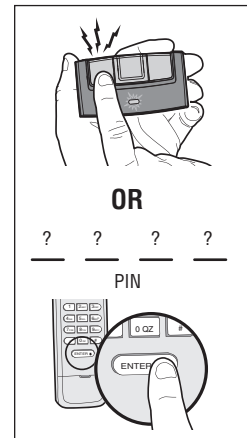


1. Press the navigation button below "MENU" to view the Features menu.
2. Use the navigation buttons to scroll to "PROGRAM" and press the navigation button under **▶** to continue.
3. Select "REMOTE" or "KEYPAD" to program from the program menu. Press **▶** to continue.
4. Press the button on the remote control that you wish to operate your garage door.



**OR**

Enter a 4-digit personal identification number (PIN) of your choice on the keyless entry keypad. Then press the ENTER button.



## To Erase the Memory

### ERASE ALL REMOTE CONTROLS AND KEYLESS ENTRIES

1. Press and hold the learn button on garage door opener until the learn LED goes out (approximately 6 seconds). All remote control and keyless entry codes are now erased. Reprogram any accessory you wish to use.

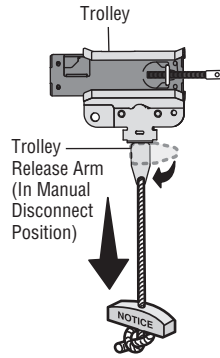
### ERASE ALL DEVICES (INCLUDING ASSURELINK™ ACCESSORIES)

1. Press and hold the learn button on garage door opener until the learn LED goes out (approximately 6 seconds).
2. Immediately press and hold the learn button again until the learn LED goes out. All codes are now erased. Reprogram any accessory you wish to use.

## To Open the Door Manually

### DISCONNECT THE TROLLEY

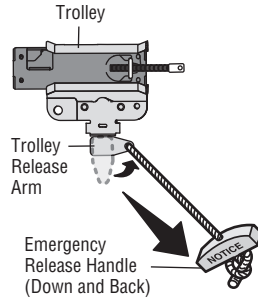
The door should be fully closed if possible. Pull down on the emergency release handle (so that the trolley release arm snaps into a vertical position) and lift the door manually. The *lockout feature* prevents the trolley from reconnecting automatically, and the door can be raised and lowered manually as often as necessary.



**Lockout position  
(Manual disconnect)**

### TO RE-CONNECT THE TROLLEY

Pull the emergency release handle toward the opener at an angle so that the trolley release arm is horizontal. The trolley will reconnect on the next UP or DOWN operation, either manually or by using the door control or remote.



**To reconnect**

## Care of Your Opener

### MAINTENANCE SCHEDULE

#### Every month

- Manually operate door. If it is unbalanced or binding, call a trained door systems technician.
- Check to be sure door opens and closes fully. Adjust if necessary (refer to Adjustment section).
- Repeat the safety reverse test. Make any necessary adjustments (refer to Adjustment section).

#### Every year

- Oil door rollers, bearings and hinges. The garage door opener does not require additional lubrication. Do not grease the door tracks.
- Test the battery and consider replacing the battery to ensure the garage door opener will operate during an electrical power outage, see page 31 to test the battery backup.

## ⚠ WARNING

To prevent possible **SERIOUS INJURY** or **DEATH** from a falling garage door:

- If possible, use emergency release handle to disengage trolley **ONLY** when garage door is **CLOSED**. Weak or broken springs or unbalanced door could result in an open door falling rapidly and/or unexpectedly.
- **NEVER** use emergency release handle unless garage doorway is clear of persons and obstructions.
- **NEVER** use handle to pull door open or closed. If rope knot becomes untied, you could fall.

## ⚠ WARNING

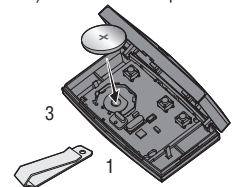
To prevent possible **SERIOUS INJURY** or **DEATH**:

- **NEVER** allow small children near batteries.
  - If battery is swallowed, immediately notify doctor.
- To reduce risk of fire, explosion or chemical burn:
- Replace **ONLY** with 3V2032 coin batteries.
  - **DO NOT** recharge, disassemble, heat above 212° F (100° C) or incinerate.

The lithium battery should produce power for up to 3 years.

To replace battery, use the visor clip or screwdriver blade to pry open the case as shown. Insert battery positive side up (+). Replace the battery with only 3V2032 coin cell batteries. Dispose of old battery properly.

Pry open the case first in the middle (1), then at each side (2 and 3) with the visor clip.



NOTICE: To comply with FCC and/or Industry Canada (IC) rules, adjustment or modifications of this transceiver are prohibited. **THERE ARE NO USER SERVICEABLE PARTS.** Any changes or modifications not expressly approved by the party responsible for compliance could void the user's authority to operate the equipment.

This device complies with Part 15 of the FCC rules and IC RSS-210. Operation is subject to the following two conditions: (1) this device may not cause harmful interference, and (2) this device must accept any interference received, including interference that may cause undesired operation.

This Class B digital apparatus complies with Canadian ICES-003.

AVIS : Les règles de la FCC et/ou d'Industrie Canada (IC) interdisent tout ajustement ou toute modification de ce récepteur. **IL N'EXISTE AUCUNE PIÈCE SUSCEPTIBLE D'ÊTRE ENTRETENUE PAR L'UTILISATEUR.** Tout changement ou toute modification non expressément approuvé par la partie responsable de la conformité peut avoir pour résultat d'annuler l'autorité de l'utilisateur de faire fonctionner l'équipement.

Cet appareil est conforme aux dispositions de la partie 15 du règlement de la FCC et de la norme IC RSS-210. Son utilisation est assujettie aux deux conditions suivantes : (1) ce dispositif ne peut causer des interférences nuisibles, et (2) ce dispositif doit accepter toute interférence reçue, y compris une interférence pouvant causer un fonctionnement non souhaité.

Cet appareil numérique de la classe B est conforme à la norme NMB-003 du Canada.

## TROUBLESHOOTING

### DIAGNOSTIC CHART

Your garage door opener is programmed with self-diagnostic capabilities. The UP and DOWN arrows on the garage door opener flash the diagnostic codes.

UP ARROW FLASH(ES)	DOWN ARROW FLASH(ES)	SYMPTOM	SOLUTION
1	1	The garage door opener will not close and the light bulbs flash.	Safety sensors are not installed, connected, or wires may be cut. Inspect sensor wires for a disconnected or cut wire.
1	2	The garage door opener will not close and the light bulbs flash.	There is a short or reversed wire for the safety sensors. Inspect safety sensor wire at all staple and connection points, replace wire or correct as needed.
1	3	The door control will not function.	The wires for the door control are shorted or the door control is faulty. Inspect door control wires at all staple and connection points, replace wire or correct as needed.
1	4	The garage door opener will not close and the light bulbs flash.	Safety sensors are misaligned or were momentarily obstructed. Realign both sensors to ensure both LEDs are steady and not flickering. Make sure nothing is hanging or mounted on the door that would interrupt the sensor's path while closing.
1	5	Door moves 6-8" stops or reverses.	Manually open and close the door. Check for binding or obstructions, such as a broken spring or door lock, correct as needed. Check wiring connections at travel module and at logic board. Replace travel module if necessary.
		No movement, only a single click.	Manually open and close the door. Check for binding or obstructions, such as a broken spring or door lock, correct as needed. Replace logic board if necessary.
		Opener hums for 1-2 seconds no movement.	Manually open and close the door. Check for binding or obstructions, such as a broken spring or door lock, correct as needed. Replace motor if necessary.
1	6	Door coasts after it has come to a complete stop.	Program travel to coasting position or have door balanced by a trained door systems technician.
2	1-5	No movement, or sound.	Replace logic board.
3	2	Unable to set travel or retain position.	Check travel module for proper assembly, replace if necessary.

## TROUBLESHOOTING

UP ARROW FLASH(ES)	DOWN ARROW FLASH(ES)	SYMPTOM	SOLUTION
4	1-4	Door is moving stops or reverses.	Manually open and close the door. Check for binding or obstructions, such as a broken spring or door lock, correct as needed. If the door is binding or sticking contact a trained door systems technician. If door is not binding or sticking attempt to reprogram travel (refer to page 28).
4	5	Opener runs approximately 6-8", stops and reverses.	Communication error to travel module. Check travel module connections, replace module if necessary.
4	6	The garage door opener will not close and the light bulbs flash.	Safety sensors are misaligned or were momentarily obstructed. Realign both sensors to ensure both LEDs are steady and not flickering. Make sure nothing is hanging or mounted on the door that would interrupt the sensor's path while closing.

These are additional troubleshooting issues that will not show up in the diagnostic codes:

### **My garage door opener beeps every 30 seconds:**

- Operating on battery power or the 12 Vdc battery needs to be replaced. See page 31.
- Garage door opener has been activated through a device such as Timer-to-Close, garage door monitor or AssureLink™ Internet Gateway, see page 33.

### **My remote control will not activate the door:**

- Verify the Lock feature is not activated on the door control.
- Reprogram the remote control.
- If the remote control will still not activate the door check the diagnostic codes to ensure the garage door opener is working properly.
- Ensure both antenna wires are hanging down from the garage door opener.

### **My garage door opener light(s) will not turn off when the door is open:**

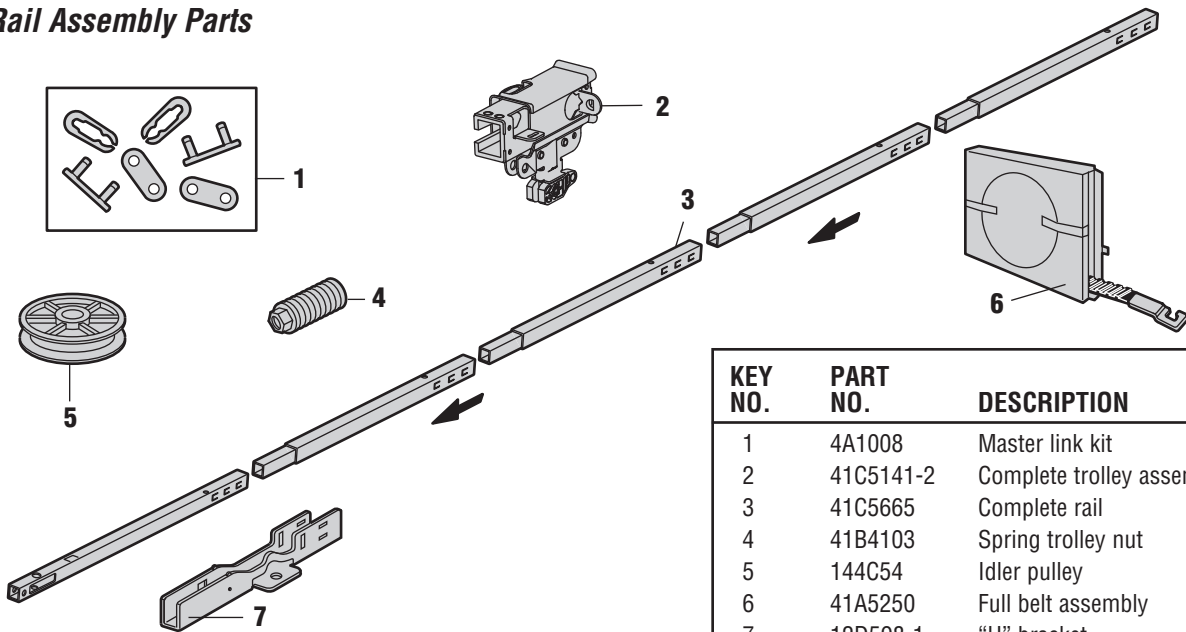
The garage door opener is equipped with a feature that turns the light on when the safety reversing sensors have been obstructed or when the motion sensor on the door control detects movement in the garage. These features can be disabled using the door control, refer to the *Door Control* section.

### **My neighbor's remote control opens my garage door:**

Erase the memory from your garage door opener and reprogram the remote control(s).

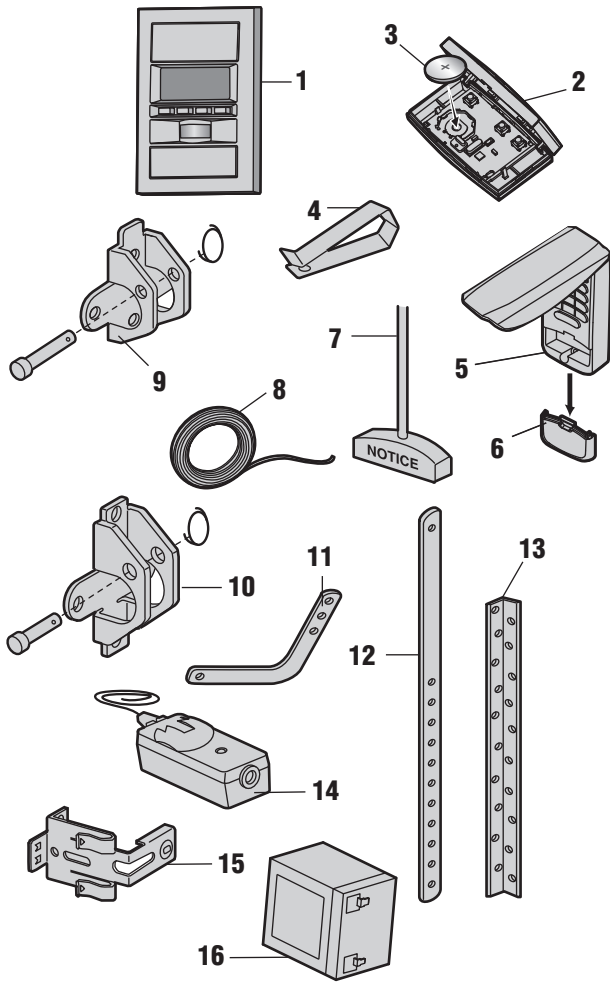
# REPAIR PARTS

## Rail Assembly Parts

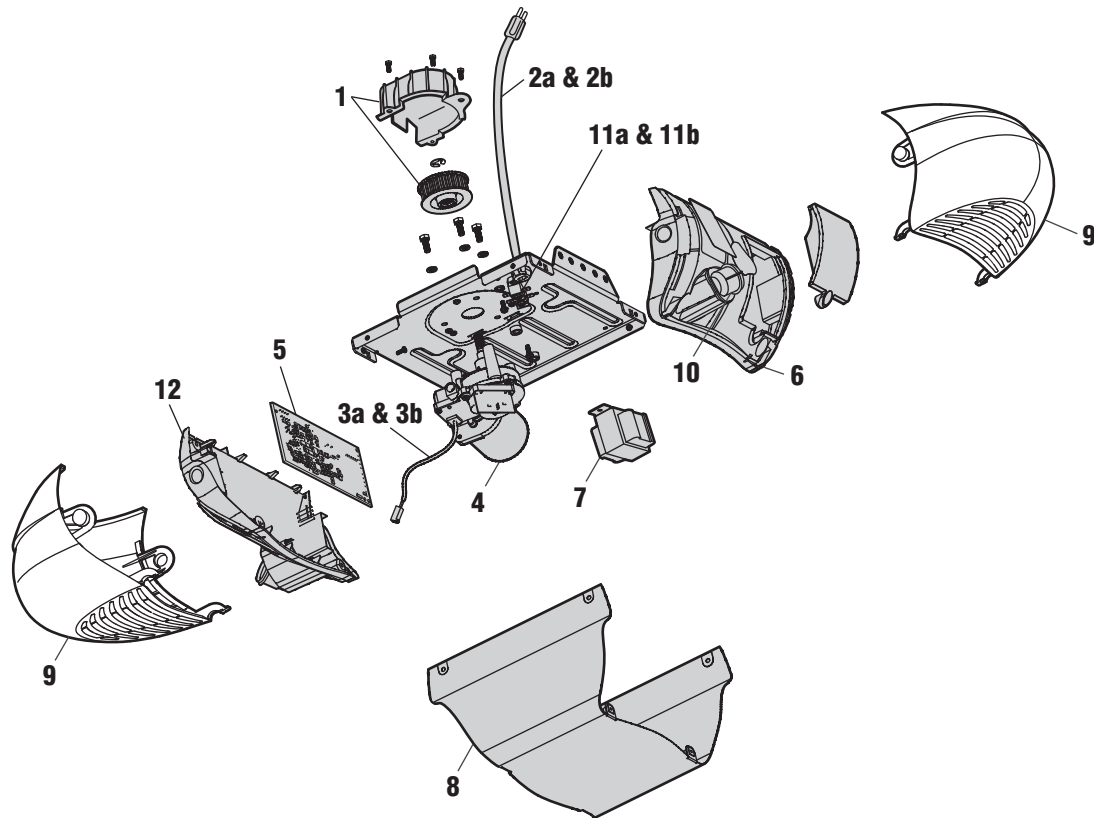


KEY NO.	PART NO.	DESCRIPTION
1	4A1008	Master link kit
2	41C5141-2	Complete trolley assembly
3	41C5665	Complete rail
4	41B4103	Spring trolley nut
5	144C54	Idler pulley
6	41A5250	Full belt assembly
7	12D598-1	"U" bracket
		<b>NOT SHOWN</b>
	183A163	Wear pads

## Installation Parts



KEY NO.	PART NO.	DESCRIPTION
1	41A7563	Smart Control Panel®
2	139.30498	3-Button remote control
3	10A20	3V2032 lithium battery
4	29B137	Visor clip
5	139.3050	Wireless keypad
6	41D541	Wireless keypad battery cover
7	41A2828	Emergency release rope and handle assembly
8	41B4494-1	2-Conductor bell wire: white and white/red
9	41A5047-3	Header bracket with clevis pin and fastener
10	41A5047-1	Door bracket with clevis pin and fastener
11	178B35	Curved door arm section
12	178B34	Straight door arm section
13	12B776	Hanging bracket
14	41A5034	Safety reversing sensor kit (receiving and sending eyes) with 2-conductor bell wire attached
15	041A5266-3	Safety reversing sensor bracket
16	41B822	Battery
		<b>NOT SHOWN</b>
	10A2	9V battery for wireless keypad
	041A7920-2	Installation hardware bag (includes hardware listed on page 7)
	114A4362	Owner's manual

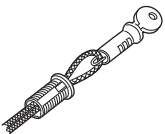


KEY NO.	PART NO.	DESCRIPTION	KEY NO.	PART NO.	DESCRIPTION
1	41C589-2	Sprocket with sprocket cover	7	41A7635	Transformer and harness
2a	41B135	Line cord (models manufactured before April 12, 2013)	8	41D503-4	Cover
2b	41B4245-1	Line cord (models manufactured after April 12, 2013)	9	108D77	Light lens
3a	41B7418	Wire harness kit (models manufactured before April 12, 2013)	10	41C279	Light socket
3b	041B7610-1	Wire harness kit (models manufactured after April 12, 2013)	11a	41B7611	Filter board with screws (models manufactured before April 12, 2013)
4	41D1624-1	Motor with travel module	11b	41A3150	Terminal block (models manufactured after April 12, 2013)
5	45DCT	Receiver logic assembly		41A7629-1	Receiver logic board end panel
6	41A7630	End panel with battery door and screw			<b>NOT SHOWN</b>
				41B822	Battery - 12V



## ACCESSORIES

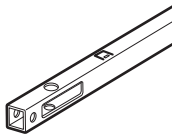
139.53702



### Emergency Key Release:

Required for a garage with NO access door. Enables homeowner to open garage door manually from outside by disengaging trolley.

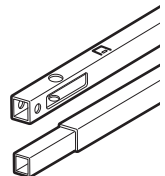
139.53728



### 8 Foot (2.4 m) Rail Extension:

To allow an 8 foot (2.4 m) door to open fully.

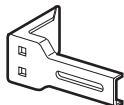
139.53729



### 10 Foot (3 m) Rail Extension:

To allow a 10 foot (3 m) door to open fully.

041A5281-1

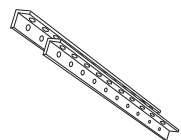


### Extension Brackets:

*(Available only through Sears Parts & Service)*

(Optional) For safety sensor installation onto the wall or floor.

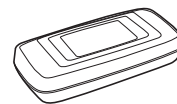
139.53589



### Support Brackets:

For finished ceilings or where additional support is required, based on garage construction. Includes brackets and fastening hardware.

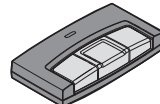
41A7665



### AssureLink™ Internet Gateway:

Internet enabled accessory which connects to the computer and allows you to monitor and control garage door openers and lighting accessories enabled by AssureLink™ technology.

139.30498



### Remote Control:

Works with all Craftsman openers 1993-Present. Includes visor clip.

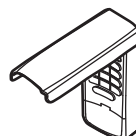
139.30499



### Keychain Remote Control:

Works with all Craftsman openers 1993-Present. With key ring.

139.3050



### Wireless Keypad:

For use outside of the home to enable access to the garage using a 4-digit PIN. Works with ALL Craftsman openers 1993-Present.

41A7563



### Smart Control Panel:

Displays temperature, time and systems diagnostics, includes a push bar to open and close the door and lock feature for extra security.

139.21255



### Plug-In Light Control:

Automatically control your lights using your garage door opener, an AssureLink™ remote control or a Craftsman Internet Gateway. Plugs into any interior outlet.

## WARRANTY

### CRAFTSMAN WARRANTY

#### 90-DAY IN-HOME LIMITED WARRANTY

FOR 90 DAYS from the date of sale, this product is warranted against defects in material or workmanship. With proof of purchase, a defective product will be repaired free of charge.

#### LIMITED WARRANTY ON PARTS

FROM THE 91st DAY THROUGH 3 YEARS from the date of sale, this product is warranted against defective parts. With proof of purchase, a new part will be furnished to replace a defective one free of charge. Any costs for professional installation are not included.

#### LIMITED WARRANTY ON MOTOR

FROM THE 91st DAY THROUGH 10 YEARS from the date of sale, the motor on this product is warranted against defects in material or workmanship. With proof of purchase, a new motor will be furnished to replace a defective one free of charge. Any costs for professional installation are not included.

#### WARRANTY SERVICE

For warranty coverage details to obtain product repair or replacement parts, visit the web page: [www.craftsman.com/warranty](http://www.craftsman.com/warranty).

#### WARRANTY RESTRICTION

This Craftsman Garage Door Opener Limited Warranty does not cover light bulbs, which are expendable parts, or repair parts necessary because of operator abuse or negligence, including the failure to install, adjust and operate this garage door opener according to instructions contained in the owner's manual. This limited warranty also does not cover any problems caused by interference.

#### LIMITATION ON LIABILITY

Seller will not be liable for loss or damage to property or any incidental or consequential loss or expense from property damage due directly or indirectly to the use of this product. Some states do not allow the exclusion or limitation of incidental or consequential damages, so the above limitation or exclusion may not apply to you.

#### DISCLAIMER OF IMPLIED WARRANTIES

Except for the motor, all implied warranties for this product, including but not limited to any implied warranties of merchantability and fitness for a particular purpose, are limited in duration to the 90-Day and 91st day through 3-year limited warranty period set forth above. All implied warranties with respect to the motor are limited in duration to the 91st day through 10-year limited warranty period set forth above. No implied warranties will exist or apply after such periods. Some states do not allow limitations on how long an implied warranty lasts, so the above limitations may not apply to you.

This warranty applies only while this product is in use in the United States.

This warranty gives you specific legal rights, and you may also have other rights which vary from state to state.

Sears Brands Management Corporation, Hoffman Estates, IL 60179

## CONTENIDO

<b>Introducción</b>	<b>2-7</b>	<b>Ajustes</b>	<b>28-30</b>
Revisión de los símbolos y términos de seguridad	.2	Introducción	.28
Preparación de la puerta de su cochera	.3	Programación del desplazamiento	.29
Herramientas necesarias	.3	Pruebe el sistema de seguridad de reversa	.30
Planificación	4-5	Prueba la Protector System®	.30
Inventario de la caja de cartón	.6	<b>Batería de reversa</b>	<b>31</b>
Inventario de piezas	.7	Instale la batería	.31
<b>Montaje</b>	<b>8-11</b>	Prueba de la batería	.31
Monte el riel y instale el trole	.8	Carga de la batería	.31
Fije el riel a la unidad del motor	.9	<b>Operación</b>	<b>32-36</b>
Instale la polea loca	.9	Instrucciones importantes de seguridad	.32
Instale la banda	.10	Funciones	.32-33
Ajuste de la correa	.10	Control de la puerta	.33
Instalación de la cubierta de la rueda dentada	.11	Configuración de la Smart Control Panel®	.34
<b>Instalación</b>	<b>11-27</b>	Programación	.35
Instrucciones importantes para la instalación	.11	Para borrar la memoria	.35
Determine dónde va a instalar la ménsula del cabezal	.12	Cómo abrir la puerta manualmente	.36
Instale la ménsula del cabezal	.13	Mantenimiento de su abridor de puerta de cochera	.36
Coloque el riel en la ménsula del cabezal	.14	<b>Diagnóstico de problemas</b>	<b>37-38</b>
Coloque el abridor en posición	.15	<b>Accesorios</b>	<b>39</b>
Cuelgue el abridor	.16	<b>Garantía</b>	<b>39</b>
Instale las luces	.17	<b>Piezas y servicio de reparación</b>	<b>Contratapa</b>
Coloque la cuerda y la manija de emergencia	.17		
Fije la ménsula de la puerta	.18-19		
Conecte el brazo de la puerta al trole	.20-21		
Colocar las etiquetas de advertencia	.21		
Instalar el control de la puerta	.22		
Instale la Protector System®	.23-25		
Requisitos para la instalación eléctrica	.26		
Alineación de los sensores de reversa de seguridad	.27		

## INTRODUCCIÓN

### Revisión de los símbolos y términos de seguridad

Este abridor de puerta de cochera ha sido diseñado y probado para un funcionamiento seguro, siempre y cuando se instale, se pruebe, se opere y se le dé mantenimiento como se indica en este manual, cumpliendo al pie de la letra con todas las advertencias e instrucciones generales aquí contenidas.



**ADVERTENCIA**

Mecánica



**ADVERTENCIA**

Eléctrica

**PRECAUCIÓN**

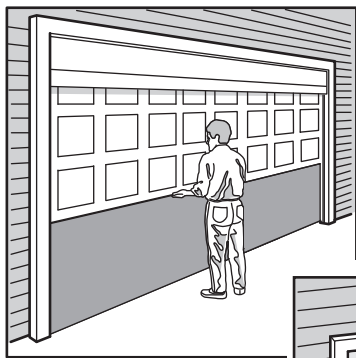
Estas advertencias y/o símbolos de seguridad que aparecen en este manual le alertarán de que existe el riesgo de **una lesión seria o de muerte** si no se siguen las instrucciones correspondientes. El peligro puede ser eléctrico (electrocución) o mecánico. Lea las instrucciones con mucho cuidado.

Cuando vea esta palabra y/o símbolo de seguridad en este manual, le alertará de que existe el riesgo de dañar la puerta de la cochera y/o el abridor si no se siguen las instrucciones correspondientes. Lea las instrucciones con mucho cuidado.

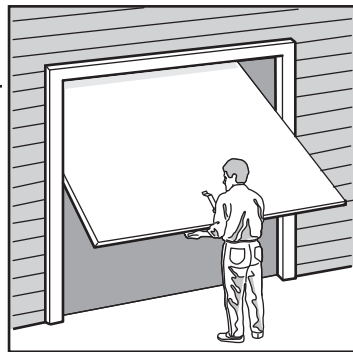
## Preparación de la puerta de su cochera

Antes de comenzar:

- Quite los seguros.
- Retire cualquier cuerda o cable que esté conectado a la puerta.
- **Haga la siguiente prueba** con su puerta para verificar que esté balanceada y que no se atore ni se pandee:
  1. Levante la puerta hasta la mitad de su recorrido como se muestra. Suelte la puerta. Si está balanceada, deberá mantenerse en esa posición con sólo el soporte de los resortes.
  2. Suba y baje la puerta; observe si se atora con algo o si se pandea.Si su puerta se atora o se pandea, o no está balanceada llame a un técnico especializado en sistemas de puertas.



Puerta seccional



Puerta de una sola pieza

## ⚠ ADVERTENCIA

Para evitar una **LESIÓN GRAVE** o **INCLUSO LA MUERTE**:

- **SIEMPRE** llame a un técnico profesional para que le dé servicio a su puerta de cochera si ésta se atora, se pandea o está desbalanceada. Una puerta de cochera que no esté bien balanceada puede que **NO** retroceda como se requiere.
- **NUNCA** intente aflojar, mover ni ajustar la puerta de su cochera, los resortes de la puerta, los cables, las poleas, las ménsulas ni la tornillería, pues **TODOS** estos elementos están bajo tensión **EXTREMA**.
- Quite **TODOS** los seguros y retire **TODAS** las cuerdas conectadas a la puerta de cochera **ANTES** de instalar y operar el abridor de la puerta de cochera para evitar que se enreden.

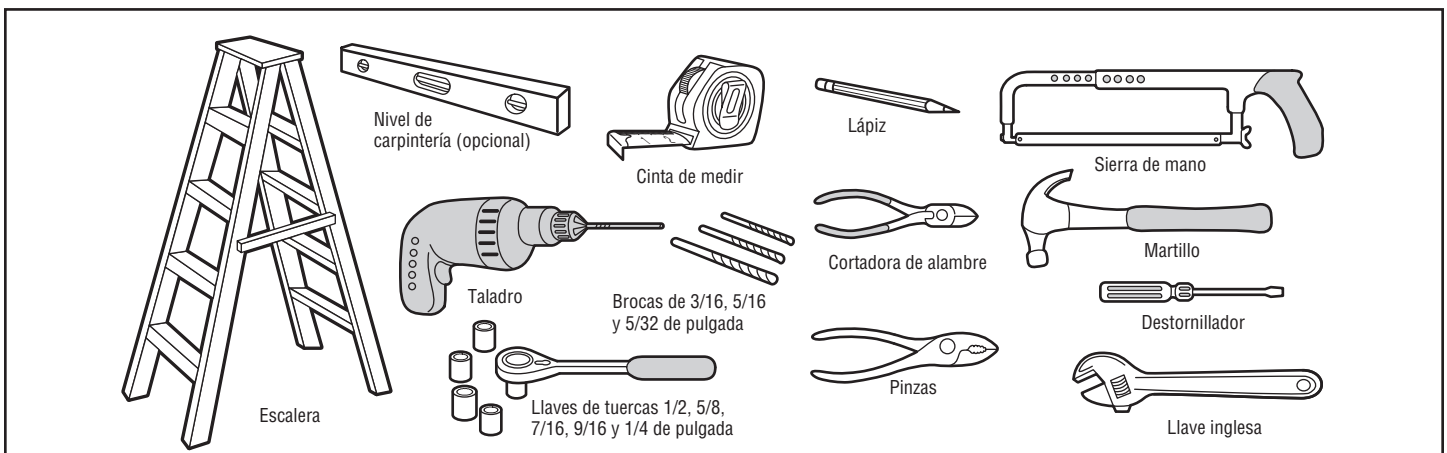
## PRECAUCIÓN

Para evitar que se dañen el puerta y el abridor:

- **SIEMPRE** quite los seguros **ANTES** de instalar de operar el abridor.
- **SOLAMENTE** opere el abridor de puerta de cochera con corriente de 120V, 60Hz con objeto de evitar su mal funcionamiento y que el abridor se dañe.

## Herramientas necesarias

Durante el montaje, instalación y ajuste del abridor, las instrucciones le indicarán cómo usar las herramientas que aparecen en la siguiente ilustración.



## Planificación

Identifique la altura y el tipo de su puerta de cochera. Revise el área de su cochera y observe si alguna de las siguientes instalaciones corresponden a la suya. A veces se requieren materiales adicionales, así que tal vez sea conveniente tener esta hoja y las ilustraciones correspondientes a mano cuando inicie la instalación de su abridor.

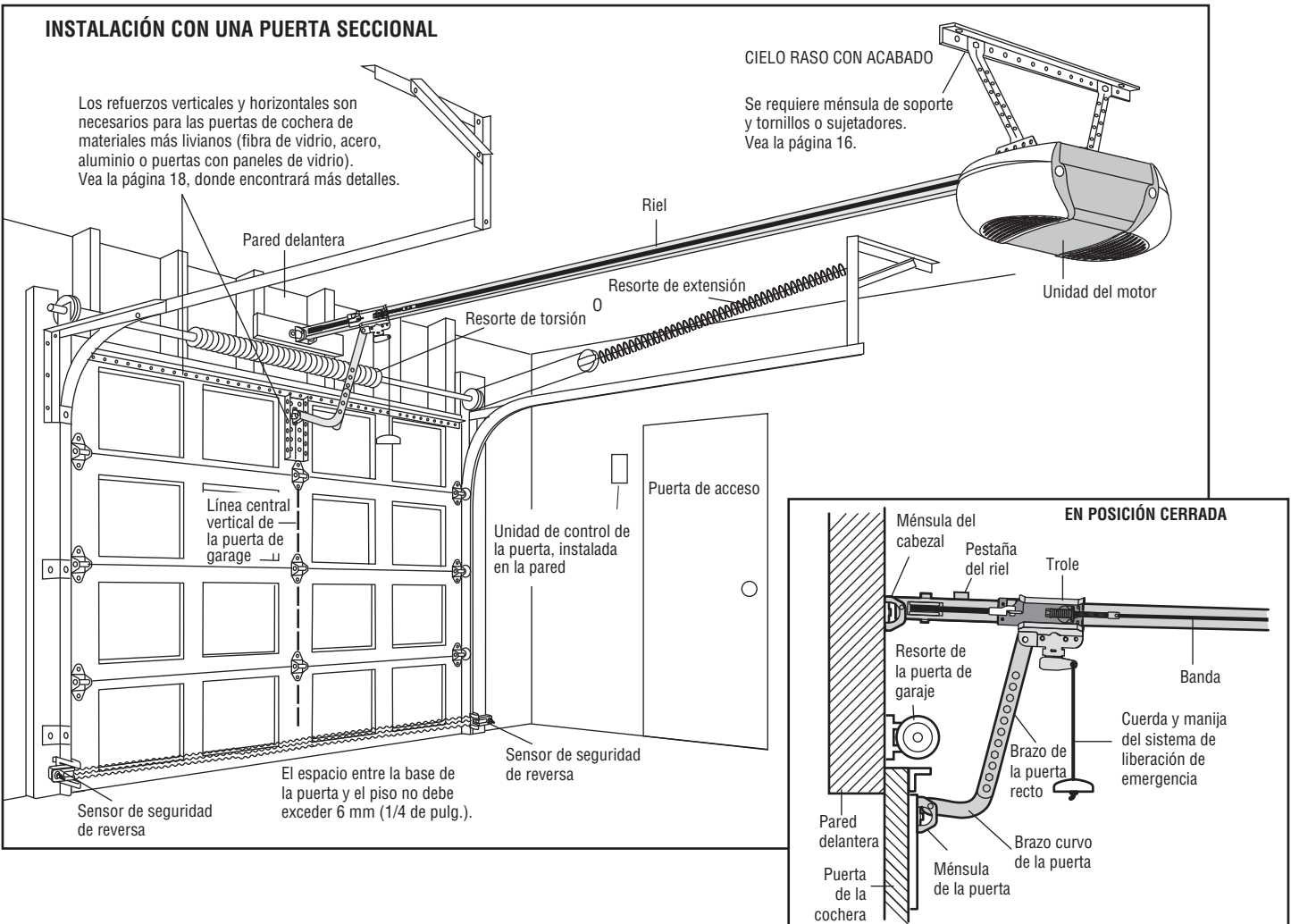
Dependiendo de sus necesidades individuales, es posible que en algunos casos vaya a necesitar materiales o herramientas que no se incluyen con este producto.

- Instalación Paso 1 – Observe la pared o el cielo raso justo por encima de la puerta de la cochera. La ménsula del cabezal debe estar firmemente sujeta a los soportes de la estructura.
- Instalación Paso 5 – Si el plafón o cielo raso de su cochera tiene acabado, es posible que necesite una ménsula de soporte y/o más pernos y tornillería para la instalación.
- Instalación Paso 12 – Dependiendo del tipo de construcción de su cochera, es posible que necesite ménsulas de extensión o bloques de madera para instalar los sensores.
- Instalación Paso 12 – El montaje en el piso del sensor que activa el sistema de retroceso de seguridad podría requerir piezas que no se incluyen.

- ¿Hay otra puerta que dé acceso a la cochera? Si no es así, será necesario contar con el sistema de llave de emergencia Modelo 139.53702. Vea la página de Accesorios.
- Observe el punto donde la puerta hace contacto con el piso. El espacio entre la base de la puerta y el piso no debe exceder 6 mm (1/4 de pulgada). Si no es así, se corre el riesgo de que el sistema de retroceso de emergencia no funcione correctamente. Vea Ajustes, Paso 2. Será necesario reparar ya sea el piso o la puerta.

## INSTALACIÓN CON UNA PUERTA SECCIONAL

- Si tiene una puerta de acero, aluminio, fibra de vidrio o con paneles de vidrio, necesitará refuerzos verticales y horizontales en la puerta (Instalación, Paso 8).
- El abridor se debe instalar por encima del centro de la puerta, pero si existe algún resorte de tensión o placa de apoyo en el paso de la ménsula del cabezal, se puede instalar hasta a 1.22 m (4 pies) a la derecha o a la izquierda del centro de la puerta. Vea Instalación, Pasos del 1 al 8.
- Si su puerta es de más de 2.13 m (7 pies) de altura, vea Extensiones de riel en la sección de Accesorios.



## Planificación (continúa)

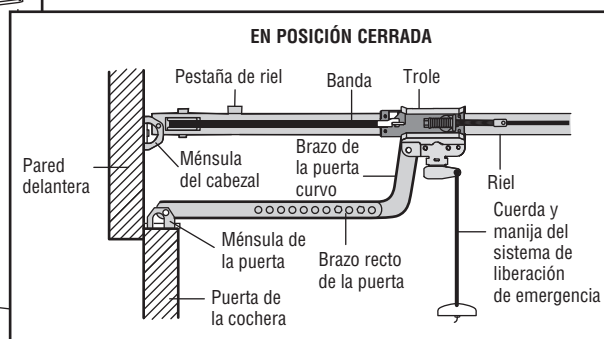
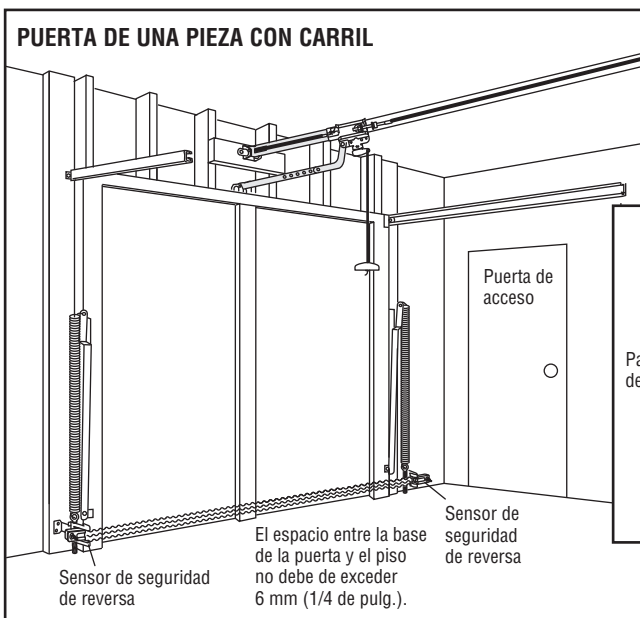
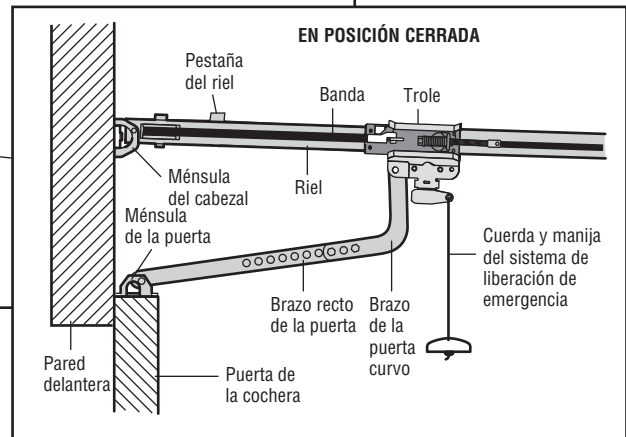
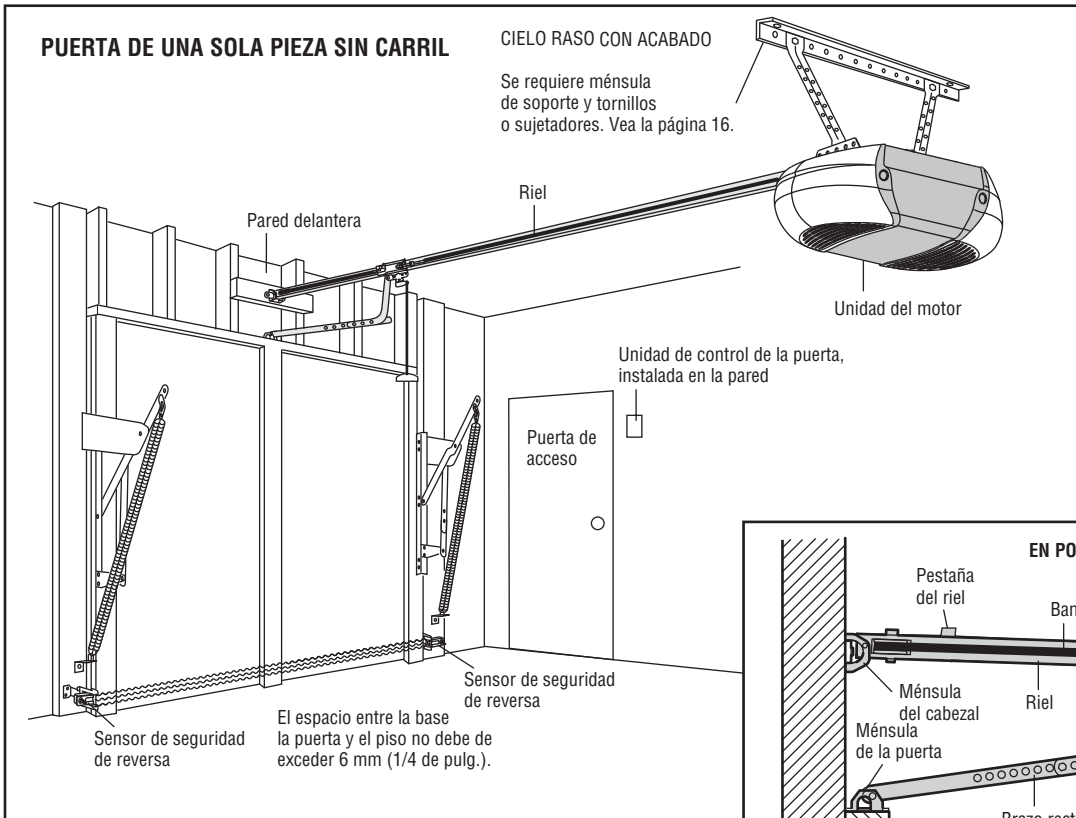
### INSTALACIÓN CON PUERTAS DE UNA SOLA PIEZA

- Generalmente una puerta de una sola pieza no requiere refuerzos adicionales. Si usted tiene una puerta de material liviano y quiere reforzarla, consulte la información respecto a puertas seccionales, contenida en Instalación, Paso 8.
- Dependiendo del diseño de su puerta, tal vez necesite piezas de montaje adicionales para la ménsula de la puerta (Paso 8).

## ⚠ ADVERTENCIA

Sin un sistema de retroceso de seguridad que funcione debidamente, al cerrar la puerta de la cochera se corre el riesgo de que las personas (y en particular los niños pequeños) sufran **LESIONES GRAVES o INCLUSO LA MUERTE.**

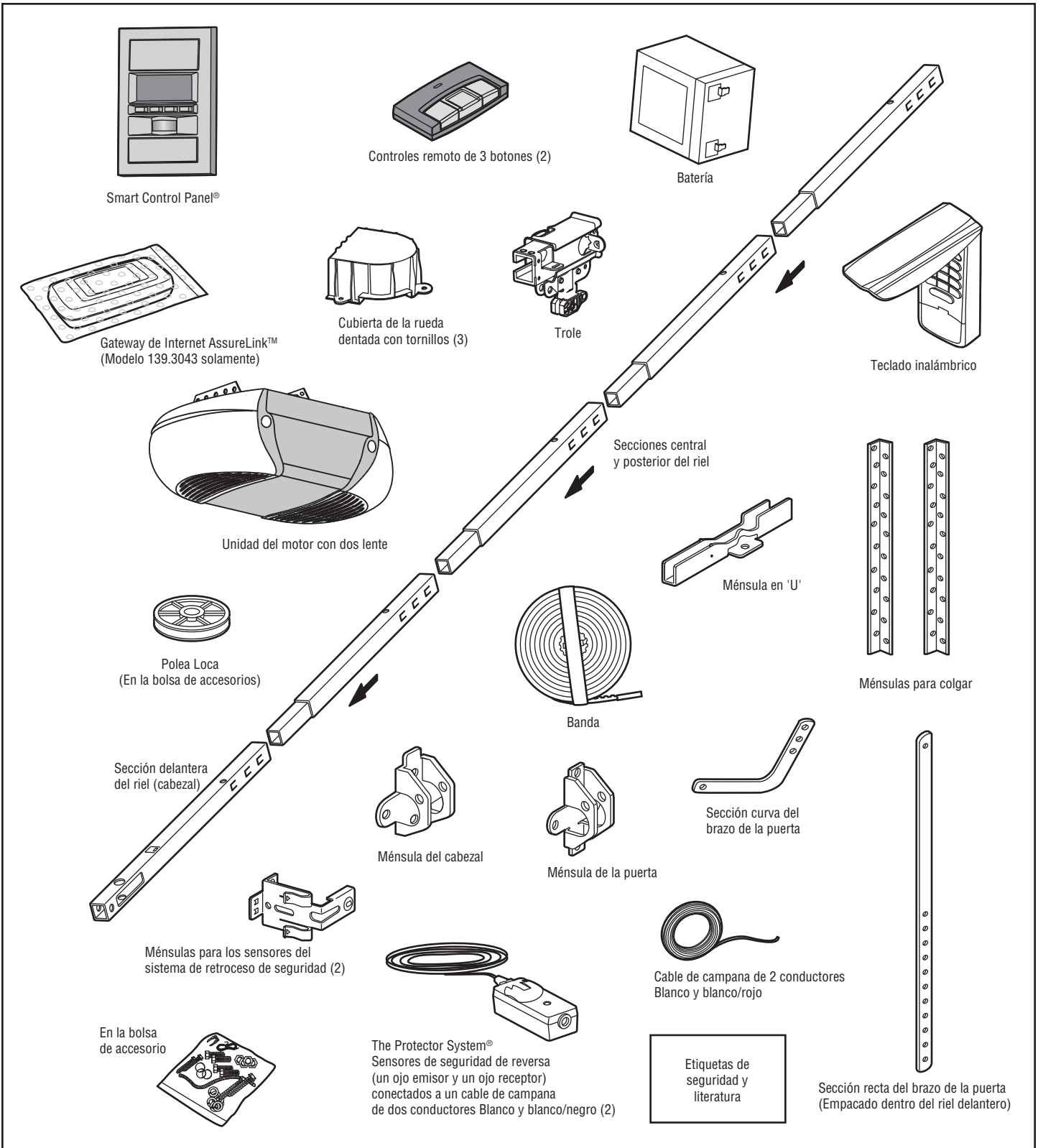
- El espacio entre la base de la puerta de la cochera y el piso **NO DEBE** exceder 6 mm (1/4 de pulgada). De no ser así, el sistema de retroceso de seguridad **NO** va a funcionar debidamente.
- El piso o la puerta de la cochera se **DEBE** reparar para eliminar este espacio.



## Inventario de la caja de cartón

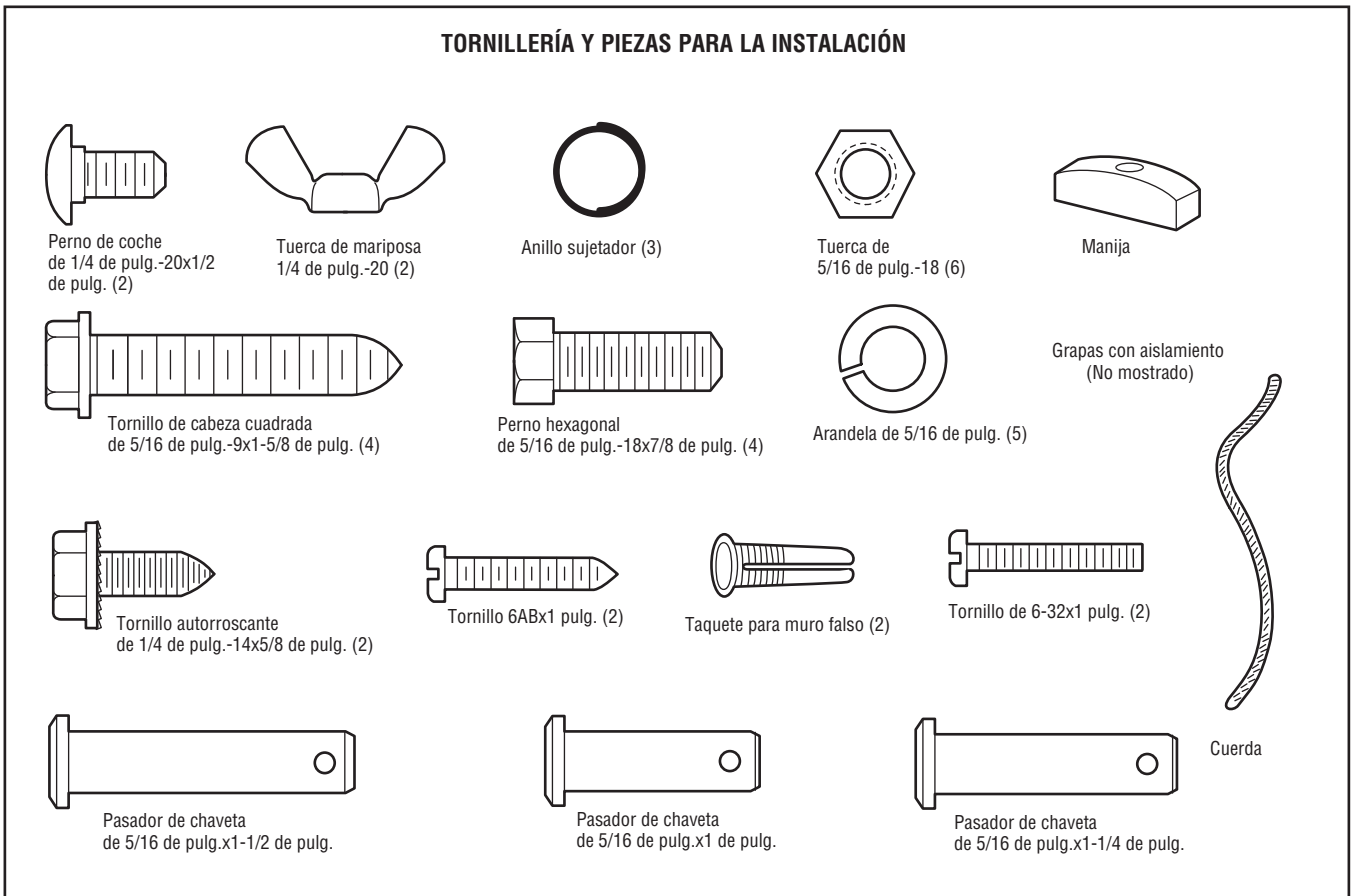
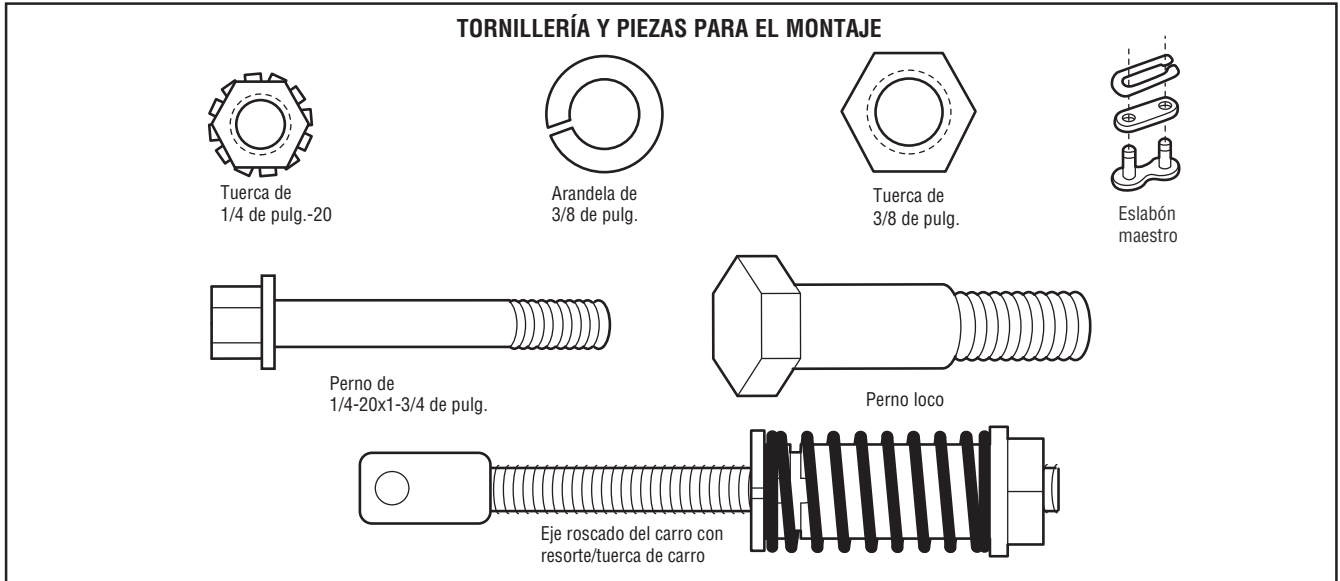
Su abridor viene empacado en una caja de cartón que contiene el motor y las piezas que se muestran en la siguiente ilustración. Tome nota de que los accesorios dependerán del modelo que haya comprado. Si falta alguna pieza, revise con cuidado el material de empaque ya que en ocasiones las piezas se atorán en el mismo.

Toda la tornillería y las piezas necesarias para el montaje e instalación de su puerta se ilustran en la siguiente página. Conserve la caja y los materiales de empaque hasta que la instalación y el ajuste se hayan terminado.



## Inventario de piezas

Antes de la instalación, organice todas las piezas en grupos como se muestra en la siguiente ilustración.



## MONTAJE, PASO 1

### Monte el riel e instale el trole

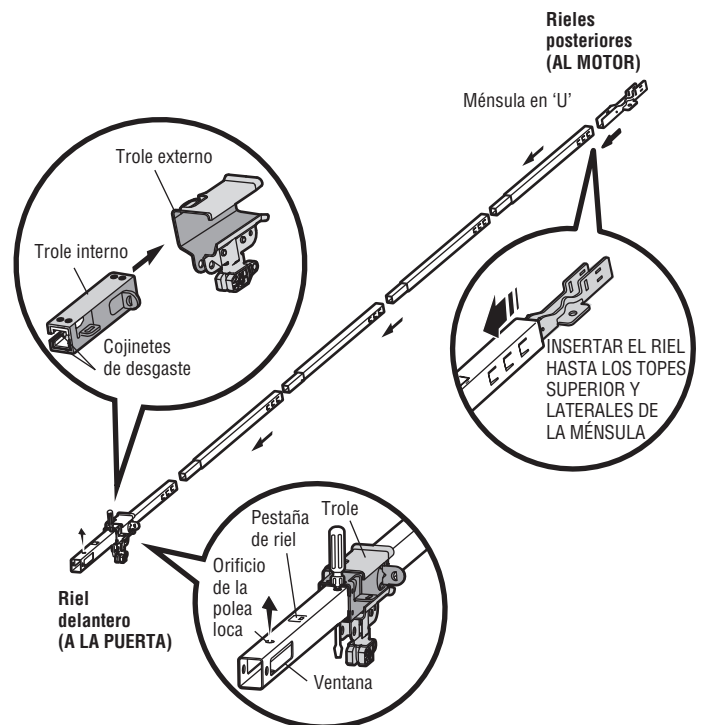
No encienda ni use el abridor hasta que llegue al paso de la instalación correspondiente, de otra manera corre el riesgo de complicar el proceso de instalación.

El riel delantero tiene una "ventana" en el extremo de puerta. El riel delantero tiene un pestaña de riel. Esta pestaña DEBEN estar encima del riel cuando están ensamblado.

1. Quite el brazo recto de la puerta, las ménsulas para colgar y el pasador de chaveta que viene empacado dentro del riel delantero y póngalos a un lado para usarlos en el Paso 5 y 9 de la Instalación.  
**NOTA:** Para no sufrir una LESIÓN al desempacar el riel, mueva con cuidado el brazo recto de la puerta que está almacenado dentro de la sección de riel.
2. Alinee las secciones del riel sobre una superficie plana exactamente como se indica y luego deslice los extremos más pequeños dentro de los más grandes. Las pestañas que se encuentran a lo largo de los lados del riel se van a ajustar en su lugar.
3. Coloque el motor sobre el material de empaque para proteger la cubierta del mismo y apoye el extremo posterior del riel encima. Para que le resulte más cómodo, ponga algún tipo de apoyo bajo el extremo delantero del riel.
4. Ponga en el riel un destornillador como tope temporal del trole a 25 cm (10 pulg.) del centro del orificio de la polea loca, como se indica en la ilustración.
5. Revise y cerciórese de que haya 4 cojinetes de desgaste dentro del trole interno, estos cojinetes son de plástico. Si los cojinetes se han soltado durante el transporte, revise todo el material de empaque. Ponga los cojinetes de desgaste en su lugar como se indica.
6. Deslice el trole a lo largo del riel desde el extremo posterior hacia el destornillador.
7. Deslice del riel en la ménsula en 'U', hasta los toques que sobresalen en la parte superior y a los lados de la ménsula.

### PRECAUCIÓN

Para evitar QUE SE PELLIZQUE, conserve los manos y dedos lejos de las juntas cuando monte el riel.



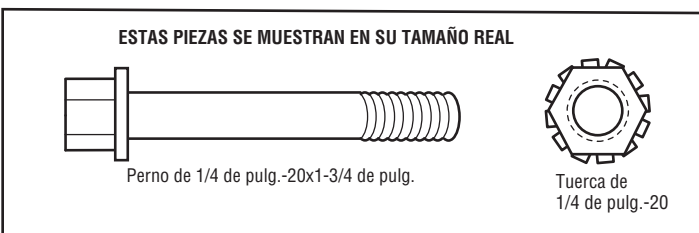
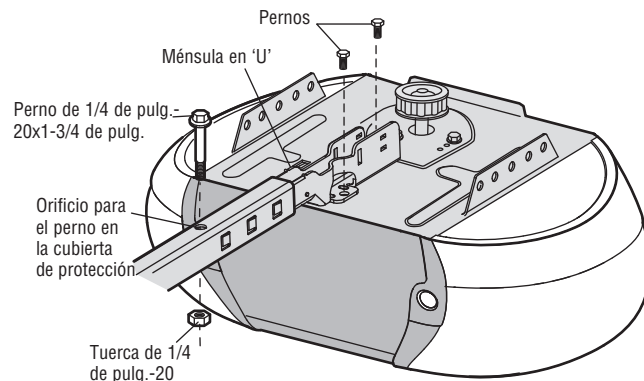
## MONTAJE, PASO 2

### Fije el riel a la unidad del motor

1. Coloque un perno de 1/4 de pulg.-20x1-3/4 de pulg. dentro del orificio de la cubierta de protección que se encuentra en el extremo posterior del riel, como se indica en la ilustración. Apriete bien el perno con tuerca de 1/4 de pulg.-20. **NO ajuste demasiado la tuerca.**
2. Quite dos pernos de la parte superior del motor.
3. Uso el cartón para soporte el frente del riel.
4. Ponga la ménsula en 'U' sobre el motor con el lado plano hacia abajo y alinee los orificios de la ménsula con los orificios de los pernos. Ajustar la abrazadera en "U" con los pernos quitados anteriormente; SIN usar herramientas eléctricas. El uso de herramientas eléctricas podría dañar permanentemente el abre-puerta de garaje.

### PRECAUCIÓN

Use SÓLO el perno y la tuerca que vienen montados en la parte superior del abridor para evitar que el abridor de la puerta de cochera se dañe SERIAMENTE.

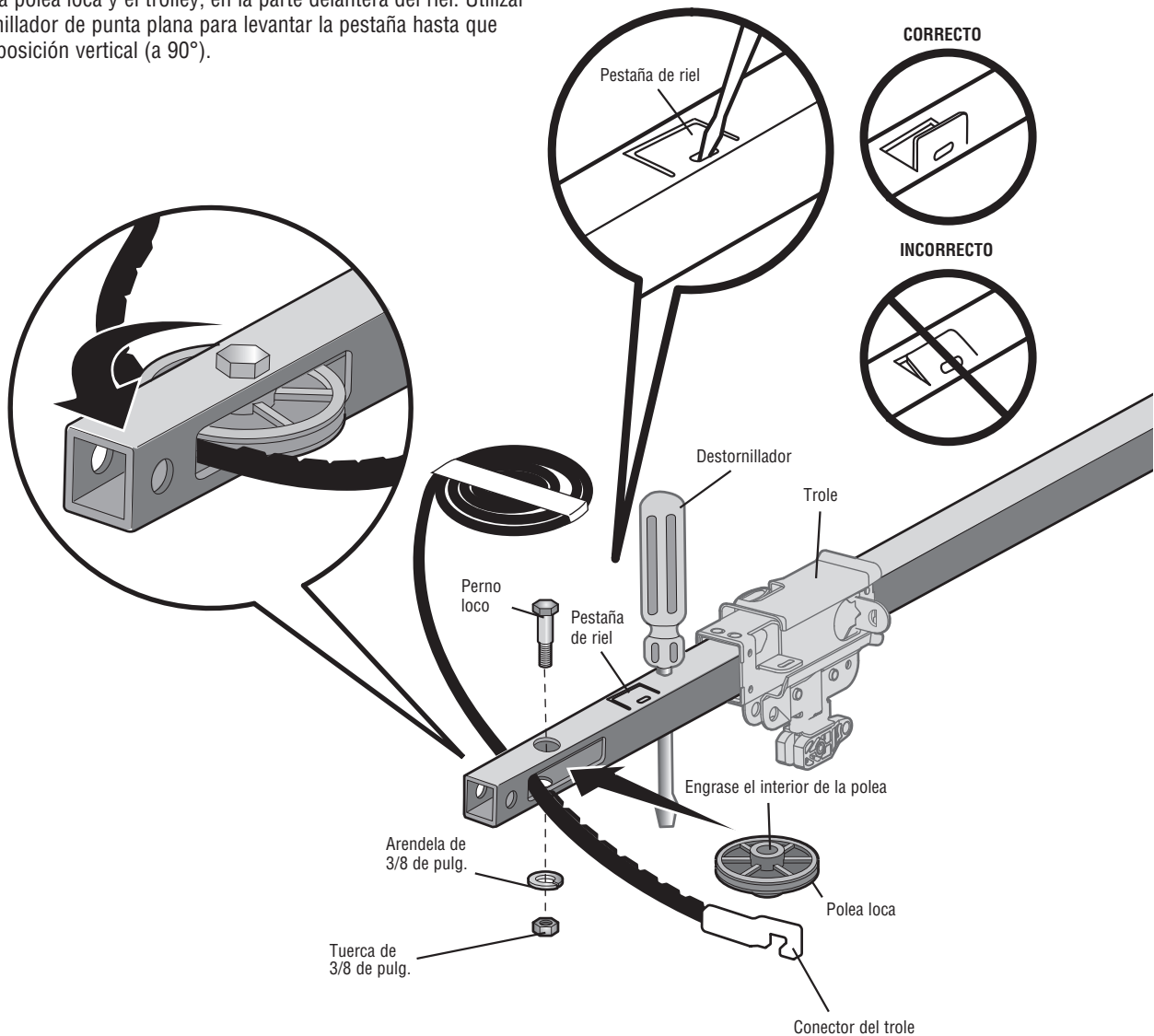




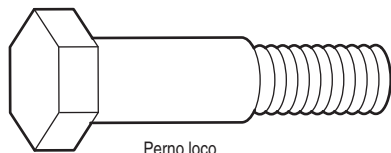
## MONTAJE, PASO 3

### Instale la polea loca

1. Ponga la banda a un lado del riel como se muestra en la ilustración. Tome el extremo del cable y pase por la ventana aproximadamente 30 cm (12 pulg.) Déjelo que cuelgue hasta que lleque al Paso 4 de Montaje.
2. Retire la cinta de la polea loca.
3. Coloque la polea loca dentro de la ventana como se muestra en la ilustración.
4. Inserte el perno loco desde la parte superior y a través del riel y la polea. Apriete con una arandela y una tuerca de 3/8 de pulg. por debajo del riel hasta que la arandela quede comprimida.
5. Haga girar la polea para cerciorarse de que da vuelta libremente.
6. Ubicar la pestaña del riel. La pestaña del riel se encuentra entre el perno de la polea loca y el trolley, en la parte delantera del riel. Utilizar un destornillador de punta plana para levantar la pestaña hasta que quede en posición vertical (a 90°).



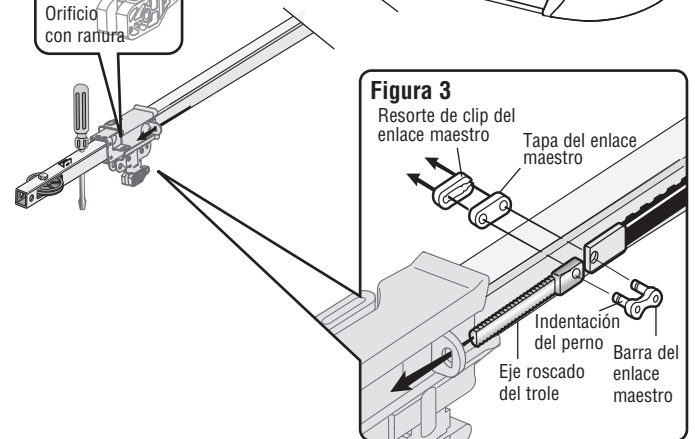
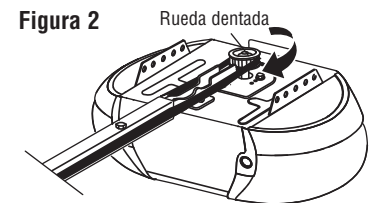
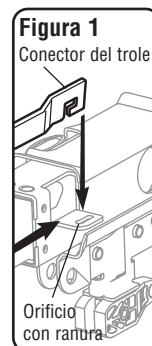
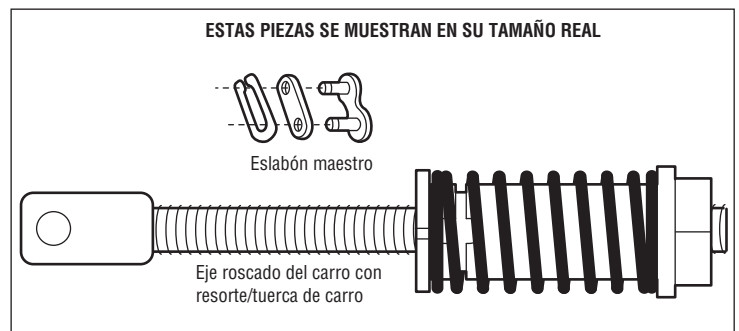
ESTAS PIEZAS SE MUESTRAN EN SU TAMAÑO REAL



## MONTAJE, PASO 4

### Instale la banda

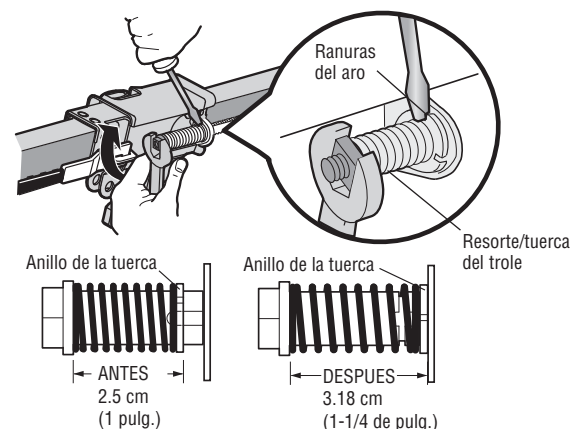
1. Jale la banda alrededor de la polea loca hacia el trole. El lado acanalado debe estar en contacto con la polea.
2. Enganche el conector del trole en la ranura de retención que se encuentra en el trole como se indica en la ilustración (Figura 1).
3. Ponga el trole contra las pinzas y alimente el resto de la banda a todo lo largo del riel hacia la unidad del motor y alrededor de la rueda dentada (Figura 2). Los dientes de la rueda dentada deben retener la polea.
4. Compruebe que la correa no este torcida. Conecte el eje roscado del carro al enlace maestro (Figura 3).
  - Empuje las clavijas del enlace maestro por los orificios en el extremo de la correa y el eje roscado del carro.
  - Empuje la tapa del enlace maestro sobre los pernos y las muescas de los pernos.
  - Deslice el resorte de sujeción sobre la tapa y sobre las muescas de los pernos hasta que los dos pernos estén bien colocados y seguros en su lugar.
5. Quite la tuerca con resorte del carro del eje roscado.
6. Introduzca el eje roscado del carro por el orificio del carro.



## MONTAJE, PASO 5

### Ajuste de la correa

1. Con la mano, enrosque la tuerca del carro con resorte en el eje roscado hasta que este ajustada firmemente contra el carro. No utilice ninguna herramienta. Quite el destornillador.
2. Introduzca la punta de un destornillador plano en una de las ranuras del aro de la tuerca y fíjelo firmemente contra el carro.
3. Ajuste la tuerca del carro con resorte con una llave regulable o con una llave de boca ancha de 7/16 de pulg, aproximadamente un cuarto de giro, hasta que se suelte el resorte y el aro de la tuerca quede presionado contra el carro. En esta posición, se obtiene la tensión óptima de la correa.



## MONTAJE, PASO 6

### Instalación de la cubierta de la rueda dentada

1. Coloque la cubierta de la rueda dentada sobre la rueda dentada del abre-puertas del garaje y sujete con los tornillos hexagonales.

*Ya terminó de armar su abridor de puerta de cochera. Lea las siguientes advertencias antes de continuar a la sección de instalación.*

ESTAS PIEZAS SE MUESTRAN EN SU TAMAÑO REAL

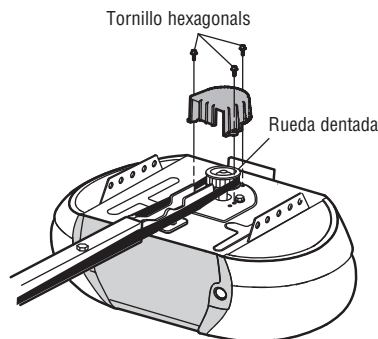


Tornillo hexagonal No 8x3/8 de pulg.  
(Empacar con el cuberita de portacadena)

## ⚠ ADVERTENCIA

Para evitar posibles LESIONES GRAVES en los dedos causadas por las partes móviles del abre-puertas de garaje:

- SIEMPRE tenga las manos lejos de la rueda dentada mientras el abre-puertas este en funcionamiento.
- Ponga bien la cubierta de la rueda dentada ANTES de hacer funcionar el abre-puertas.



## INSTALACIÓN

### INSTRUCCIONES IMPORTANTES PARA LA INSTALACIÓN

## ⚠ ⚠ ADVERTENCIA

### Para reducir el riesgo de una LESIÓN GRAVE o LA MUERTE:

1. LEA Y SIGA AL PIE DE LA LETRA TODAS LAS INSTRUCCIONES PARA LA INSTALACIÓN.
2. Instale el abridor de puerta de cochera SÓLO si la puerta de la cochera está debidamente balanceada y lubricada. Si la puerta no está debidamente balanceada es posible que NO retroceda cuando se requiera, lo que podría ocasionar una LESIÓN GRAVE o INCLUSO LA MUERTE.
3. TODAS las reparaciones de los cables, resortes y otras piezas las DEBE llevar a cabo un técnico especializado en sistemas de puertas, ANTES de instalar el abridor.
4. Quite TODOS los seguros y retire TODAS las cuerdas conectadas a la puerta de la cochera ANTES de instalar el abridor para de evitar que se enreden.
5. Instale el abridor de la puerta de cochera a una distancia de 2.1 m (7 pies) del piso.
6. Monte la manija de liberación de emergencia dentro alcance, pero una altura mínima de 1.8 m (6 pies) sobre el y evitar contacto con los vehículos para evitar liberación accidente.
7. NUNCA conecte el abridor de la puerta de cochera a una fuente de energía eléctrica hasta que así se indique.
8. NUNCA lleve puestos relojes, anillos ni ropa muy floja mientras esté instalando o dando servicio al abridor, pues podrían atorarse en la puerta de la cochera o en los mecanismos del abridor.
9. Instale la consola de control de garaje de pared:
  - de manera que quede a la vista desde la puerta de la cochera.
  - fuera del alcance de los niños y a una altura mínima de 1.5 m (5 pies).
  - lejos de TODAS las partes móviles de la puerta.
10. Coloque la calcomanía que advierte sobre el riesgo de atraparse cerca del control de la puerta de la cochera, en la pared.
11. Coloque la calcomanía que contiene la prueba de retroceso de seguridad y liberación de emergencia a plena vista en la parte interior de la puerta de la cochera.
12. Al concluir la instalación, pruebe el sistema de retroceso de seguridad. La puerta DEBE retroceder al entrar en contacto con un objeto de 3.8 cm (1-1/2 de pulg.) o bien con un pedazo de madera de 5x10 cm (2x4 pulg.) puesto plano sobre el piso.
13. Para evitar LESIONES PERSONALES GRAVES o MORTALES debidas a electrocución, desconecte TODA la corriente eléctrica y de la batería ANTES de realizar cualquier servicio o mantenimiento.
14. NO activar el temporizador de cierre en puertas de una sola pieza o puertas abisagradas. Usar esta función ÚNICAMENTE con puertas seccionales.

## INSTALACIÓN, PASO 1

Determine dónde va a instalar la ménsula del cabezal

### ⚠️ ADVERTENCIA

Para evitar una posible LESIÓN GRAVE o INCLUSO LA MUERTE:

- La ménsula del cabezal DEBE quedar RÍGIDAMENTE sujeta al soporte estructural en la pared delantera o en el cielo raso, de no ser así es posible que la puerta de la cochera NO retroceda cuando se requiera. NO instale la ménsula del cabezal en muros falsos.
- Se DEBEN usar sujetadores para concreto si el montaje de la ménsula del cabezal o del pedazo de madera de 5x10 cm (2x4 pulg.) se hace en mampostería.
- NUNCA trate de aflojar, mover ni ajustar la puerta de la cochera, los resortes, los cables, las poleas, las ménsulas ni la tornillería, pues TODAS estas piezas están bajo una tensión EXTREMA.
- SIEMPRE llame a un técnico especializado en sistemas de puertas si la puerta de cochera se pandea, se atora o si está desbalanceada. Una puerta de cochera que no esté balanceada puede NO retroceder cuando se requiera.

El proceso de instalación varía dependiendo de los diferentes tipos de puerta de cochera. Siga las instrucciones que correspondan a su puerta.

1. Cierre la puerta y marque la línea central vertical del interior de la puerta.
2. Continúe marcando esta línea hacia arriba hasta llegar a la pared delantera, por encima de la puerta.

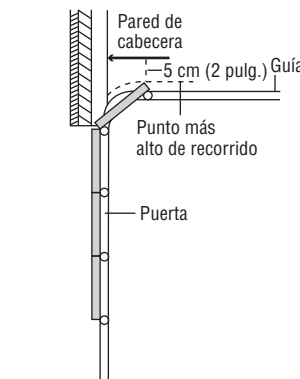
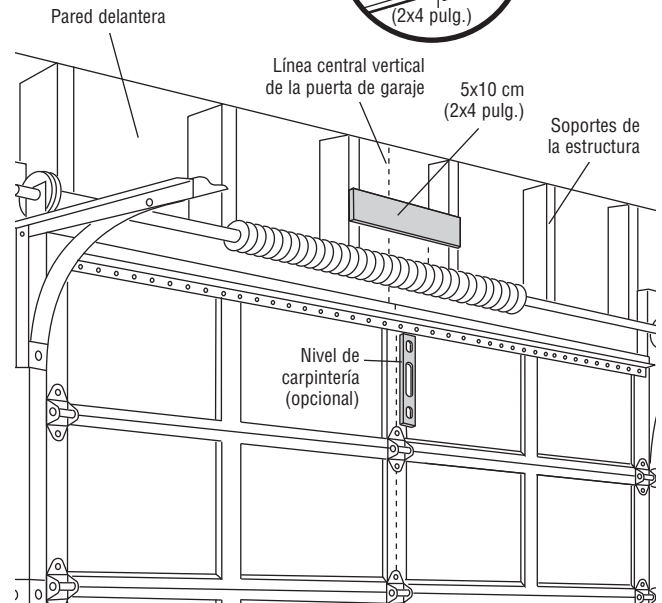
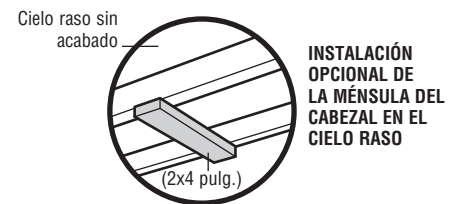
**Es posible instalar la ménsula del cabezal hasta una distancia máxima de 1.22 m (4 pies) a cada lado del centro de la puerta, pero únicamente si un resorte de torsión o un placa central de apoyo se encuentra en el recorrido. También cuando el espacio es reducido, se puede instalar la ménsula en el cielo raso o plafón de la cochera (vea la página 13). (Asimismo, se puede instalar invertida sobre la pared si es necesario, esto le dará aproximadamente 1 cm (1/2 pulg.) de espacio.)**

Si necesita instalar la ménsula del cabezal en un pedazo de madera de 5x10 cm (2x4 pulg.) (ya sea en la pared o en el techo), use tornillos de cabeza cuadrada o pijas (no se incluyen) para sujetar el pedazo de madera a los soportes estructurales, como se indica aquí y en la página 13.

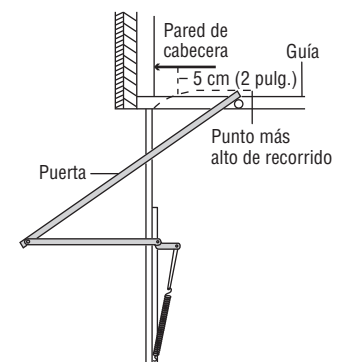
3. Abra la puerta hasta el punto más alto de su recorrido como se muestra. Marque una línea horizontal que intersecte en la pared delantera y a del punto más alto del recorrido:
  - 5 cm (2 pulg.) por encima del punto más alto en el caso de puertas seccionales y puertas de una sola pieza con riel.
  - 20 cm (8 pulg.) por encima del punto más alto en el caso de puertas de una sola pieza sin riel.

A esta altura, el extremo superior de la puerta tendrá suficiente espacio para su recorrido.

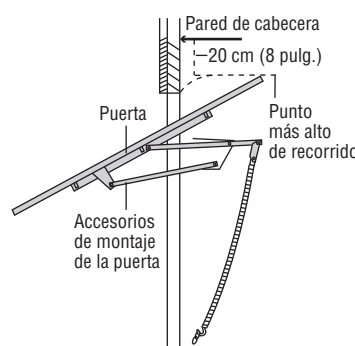
**NOTA:** Si el número total de centímetros excede la altura disponible en su cochera, use la altura máxima posible o consulte la página 13 para la Instalación en el cielo raso o plafón.



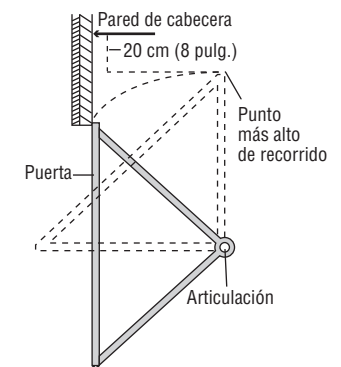
Puerta seccional con carril curvo



Puerta de una sola pieza con carril horizontal



Puerta de una sola pieza sin riel guía: accesorios de montaje



Puerta de una sola pieza sin riel guía: accesorios de articulación

## INSTALACIÓN, PASO 2

### Instale la ménsula del cabezal

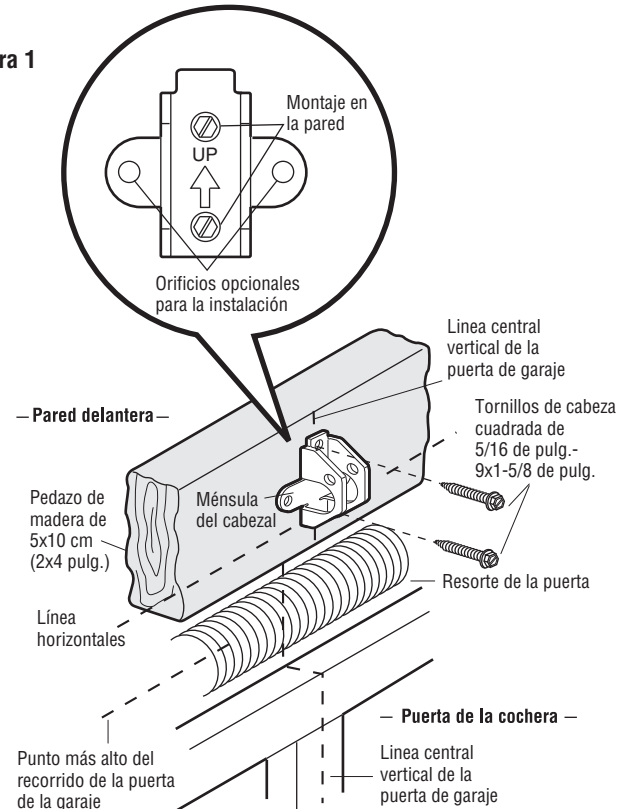
La ménsula del cabezal se puede fijar a la pared justo por encima de la puerta de la cochera o en el cielo raso. Siga las instrucciones que sean más adecuadas para su cochera. **No instale la ménsula del cabezal en un muro falso. Si va a fijar la ménsula del cabezal a ladrillo o mampostería, asegúrese de utilizar sujetadores de cemento (no se incluyen).**

#### INSTALACIÓN DE LA MÉNSULA DEL CABEZAL EN LA PARED DELANTERA

1. Coloque la ménsula sobre la línea central vertical con el borde inferior sobre la línea horizontal, como se muestra en la ilustración (con la flecha de la ménsula apuntando hacia el techo) (Figura 1).
2. Marque los orificios de la ménsula que van en línea vertical. Taladre los orificios con una broca de 3/16 de pulgada y sujete la ménsula al soporte de la estructura con la tornillería que se incluye.



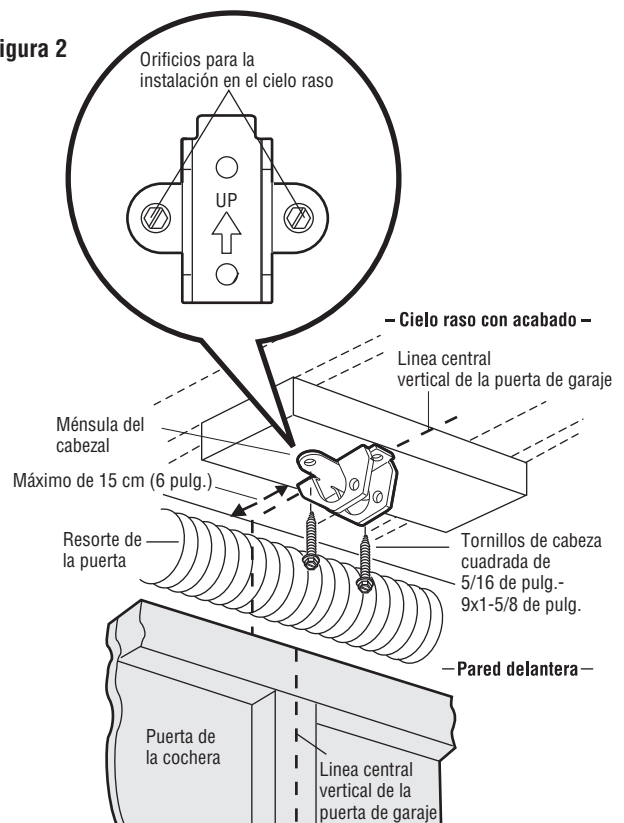
Figura 1



#### INSTALACIÓN DE LA MÉNSULA DEL CABEZAL EN EL CIELO RASO

1. Extienda la línea central vertical sobre el cielo raso como se muestra en la ilustración (Figura 2).
2. Coloque la ménsula en el centro de la línea a no más de 15 cm (6 pulg.) de la pared. Cerciñese de que la flecha de la ménsula apunte hacia el lado opuesto de la pared. La ménsula puede ser instalada pegada al cielo raso cuando el espacio es muy reducido.
3. Marque dónde va a taladrar los orificios laterales. Taladre los orificios con una broca de 3/16 de pulgada y fije la ménsula firmemente al soporte de la estructura con la tornillería que se incluye.

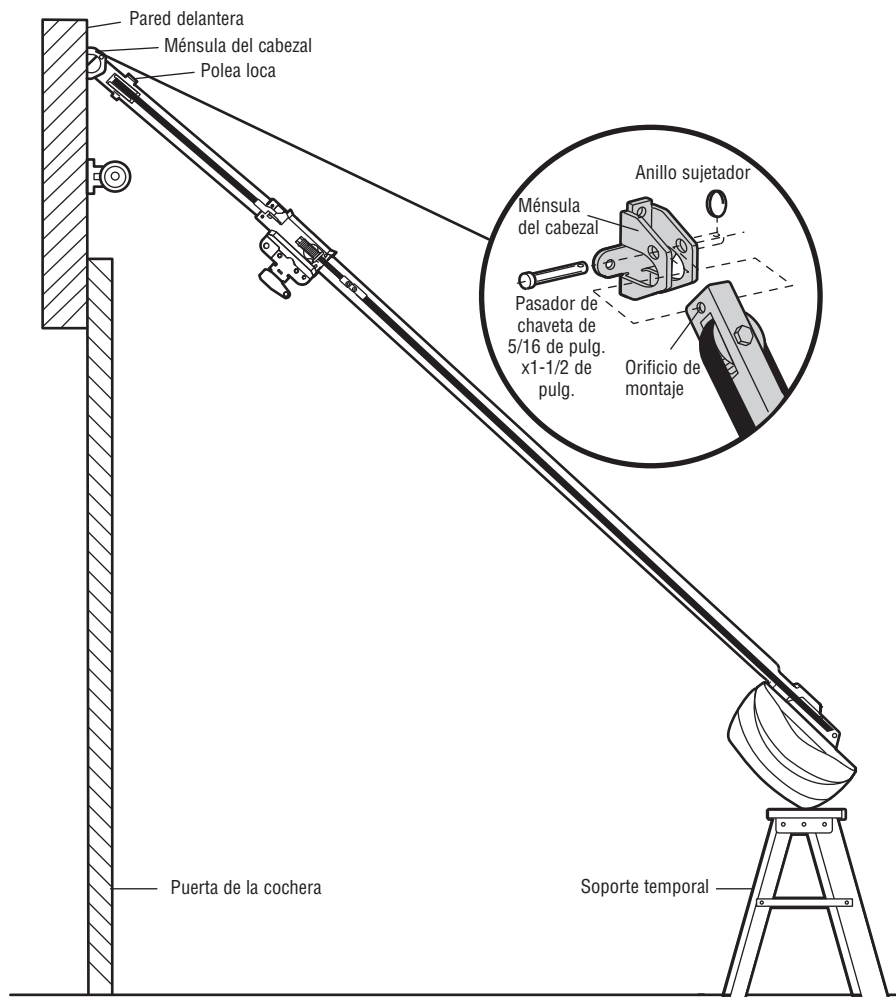
Figura 2



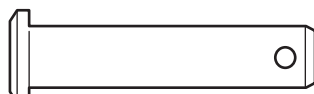
## INSTALACIÓN, PASO 3

### Coloque el riel en la ménsula del cabezal

1. Coloque el abridor sobre el piso de la cochera debajo de la ménsula del cabezal. Use el material de empaque como base para protegerlo.  
**NOTA:** Si el resorte de la puerta está obstruyendo, va a necesitar ayuda. Otra persona tendrá que sostener el abridor firmemente sobre un soporte temporal para permitir que el riel pueda librar el resorte.
2. Coloque la ménsula del riel contra la ménsula del cabezal.
3. Proceda a alinear los agujeros de las ménsulas y únalas se muestra.
4. Introduzca un anillo de seguro para terminar la unión.



ESTAS PIEZAS SE MUESTRAN EN SU TAMAÑO REAL



Pasador de chaveta de 5/16 de pulg. x 1-1/2 de pulg.



Anillo sujetador

## INSTALACIÓN, PASO 4

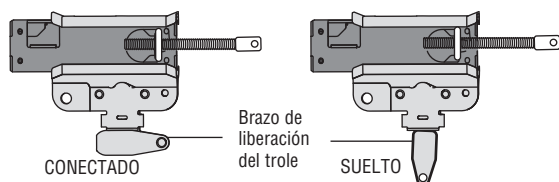
### Coloque el abridor en posición

Siga las instrucciones correspondientes al tipo de puerta de su cochera, como se muestra en la ilustración.

#### PUERTA SECCIONAL O PUERTA DE UNA SOLA PIEZA CON CARRIL

Un pedazo de madera de 5x10 cm (2x4 pulg.) le será de ayuda al determinar la distancia ideal entre la puerta y el riel.

1. Ponga el abridor sobre la escalera; si la escalera no es lo suficientemente alta, va a necesitar ayuda.
2. Abra completamente la puerta y coloque el pedazo de madera de 5x10 cm (2x4 pulg.) en la sección superior, de manera que quede debajo del riel (Figura 1).
3. Si el panel superior golpea el trole al levantar la puerta, tire hacia abajo el brazo de liberación del trole para desconectar las secciones interna y externa del mismo. Deslice el trole externo hacia el motor. El trole puede permanecer desconectado hasta el final del Paso 12 de la sección de Instalación.



#### PUERTA DE UNA SOLA PIEZA SIN CARRIL

Coloque un pedazo de madera de 5x10 cm (2x4 pulg.) sobre su lado de ayuda al determinar la distancia ideal entre la puerta y el riel.

1. Ponga el abridor sobre la escalera; si la escalera no es lo suficientemente alta, va a necesitar ayuda.
2. Abra completamente la puerta y coloque un pedazo de madera de 5x10 cm (2x4 pulg.) sobre su lado en la sección superior, de manera que quede debajo del riel (Figura 2).
3. La parte superior de la puerta debe estar alineada con la parte superior de la unidad del motor. No instale el abridor a más de 10 cm (4 pulg.) por encima de este punto.

## PRECAUCIÓN

Para evitar que la puerta de cochera sufra daños, apoye el riel del abridor de la misma sobre un pedazo de madera de 5x10 cm (2x4 pulg.) colocado en la sección superior de la puerta.

Figura 1

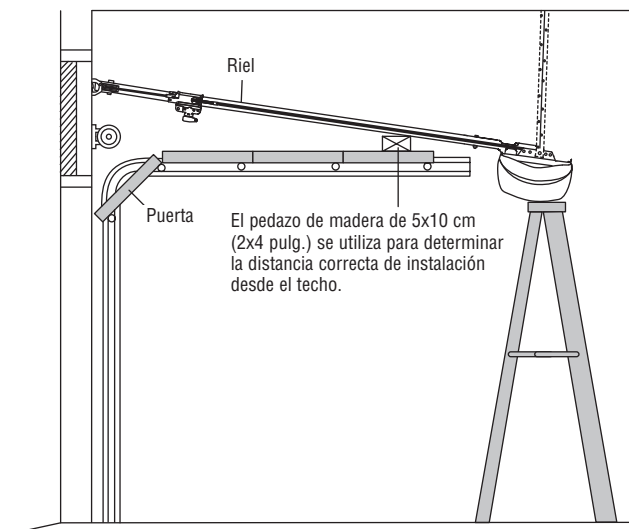
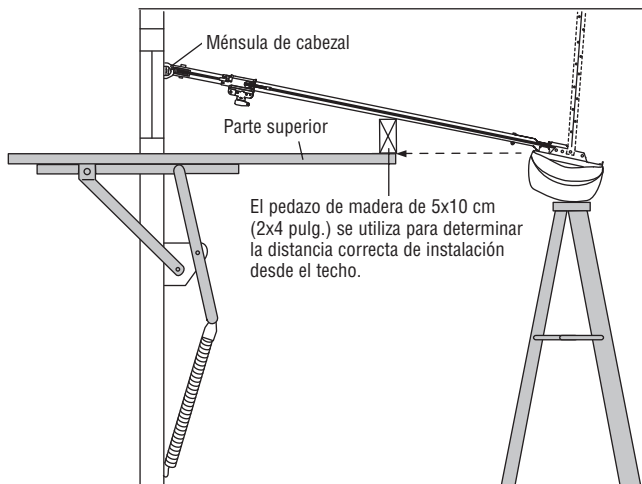


Figura 2



## INSTALACIÓN, PASO 5

### Cuelgue el abridor

Aquí se muestran tres ejemplos distintos para la instalación; sin embargo, es posible que su cochera no concuerde con ninguno de ellos. Las ménsulas de soporte deben estar en ángulo (Figura 1), para que proporcionen un soporte rígido. En caso de tener un cielo raso acabado (Figura 2 y Figura 3), instale una ménsula de metal resistente en algún soporte de la estructura antes de instalar el abridor. No se incluye esta ménsula ni la tornillería.

1. Mida la distancia desde cada lado de la unidad del motor hasta el soporte de la estructura.
2. Corte las dos partes de las ménsulas colgantes a la medida adecuada.
3. Taladre los orificios de 3/16 de pulgada en los soportes de la estructura.
4. Fije un extremo de cada ménsula al soporte con tornillos de cabeza cuadrada de 5/16 de pulg.-9x1-5/8 de pulg.
5. Fije el abridor a las ménsulas colgantes con pernos hexagonales de 5/16 de pulg.-18x7/8 de pulg., y sus tuercas y arandelas correspondientes.
6. Verifique que el abridor esté centrado sobre la puerta (o alineado con la ménsula del cabezal, si la ménsula no está centrada sobre la puerta).
7. Quite el pedazo de madera de 5x10 cm (2x4 pulg.). Haga funcionar la puerta manualmente. Si la puerta golpea el riel, suba la ménsula del cabezal.

**NOTA:** NO conecte el abridor a la fuente de energía eléctrica en este momento.

## ⚠ ADVERTENCIA

Para evitar la posibilidad de una LESIÓN GRAVE si se cae el abridor de la puerta de cochera, sujételo FIRMEMENTE a los soportes estructurales de la cochera. Se DEBEN usar sujetadores para concreto si alguna de las ménsulas se va a instalar en mampostería.

Figura 1

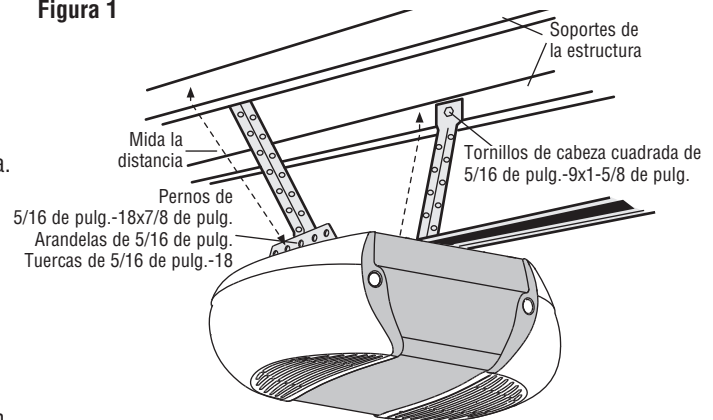


Figura 2

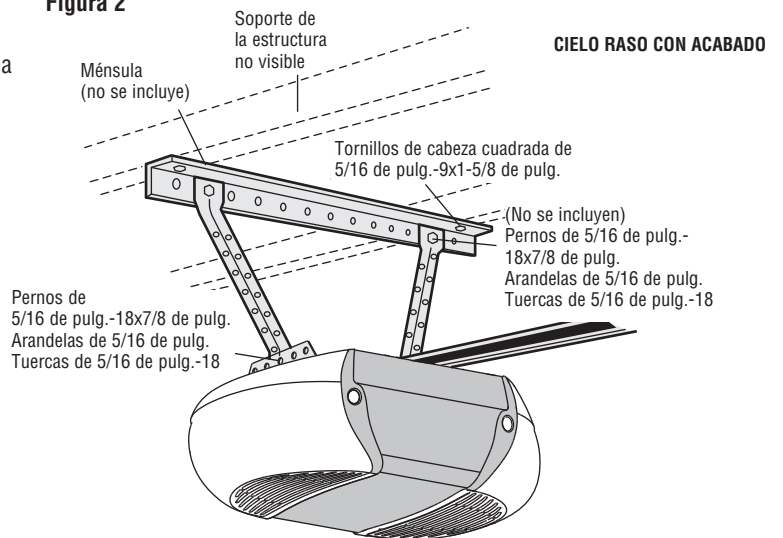
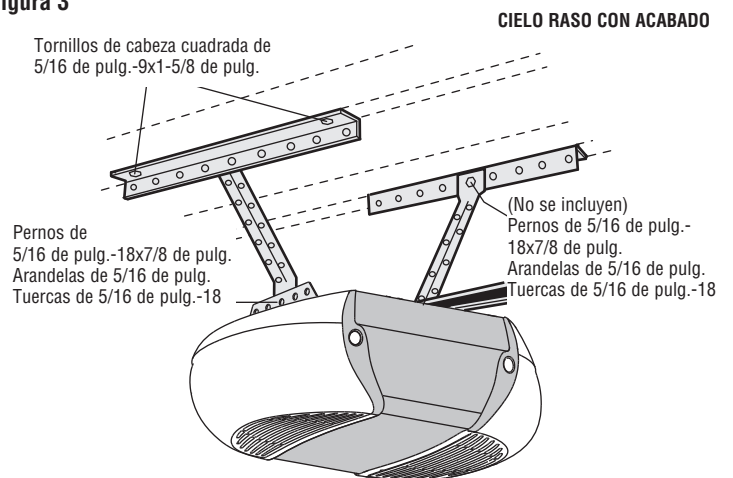


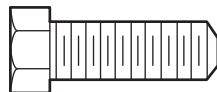
Figura 3



ESTAS PIEZAS SE MUESTRAN EN SU TAMAÑO REAL



Tornillo de cabeza cuadrada de 5/16 de pulg.-9x1-5/8 de pulg.



Perno hexagonal de 5/16 de pulg.-18x7/8 de pulg.



Tuerca de 5/16 de pulg.-18



Arandela de 5/16 de pulg.



## INSTALACIÓN, PASO 6

### Instale las luces

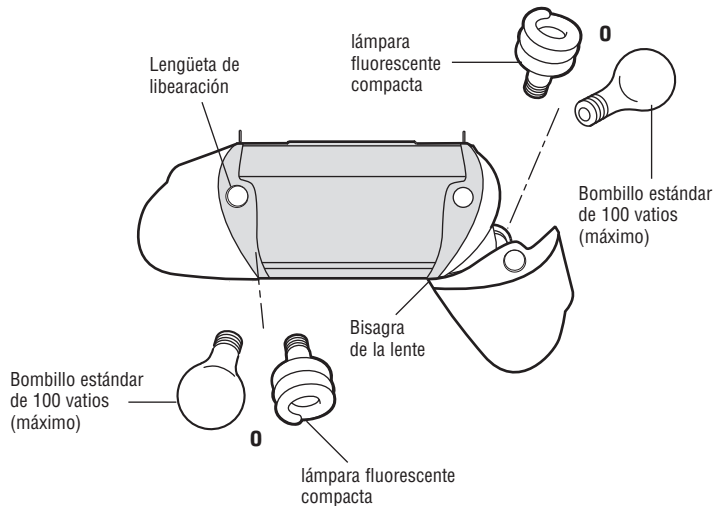
1. Oprima las lengüetas de liberación a ambos lados de la lente. Rote la lente suavemente hacia atrás y hacia abajo hasta que la bisagra quede en la posición totalmente abierta. No quite la lente.
2. Colocar una lámpara A19 incandescente o fluorescente compacta en el portalámpara. En cuanto se conecte la electricidad, las luces se ENCENDERÁN y permanecerán encendidas por aproximadamente cuatro minutos y medio. Luego se APAGARÁN.
3. Invierta el procedimiento para cerrar la lente.
4. Si las bombillas se queman prematuramente debido a la vibración, cambiarlas por las que se usan normalmente en abridor de puerta de cochera. Usar bombillas normales A19.

**NOTA:** No use lámparas halogenadas, de cuello corto ni especiales y a que podrían sobrecalentar el panelo el porta lámpara. No use lámparas de LED ya que pueden reducir el alcance o incluso el funcionamiento del control remoto.

## PRECAUCIÓN

Para evitar un posible SOBRECALENTAMIENTO del portabombillas:

- Usar ÚNICAMENTE lámparas incandescentes A19 o fluorescentes compactas.
- NO utilice bombillas más grande que 100W.
- NO usar lámparas fluorescentes compactas de más de 26 W (equivalente a 100 W).
- NO utilice bombillas halógenos.
- NO utilice bombillas de cuello corto ni de tipo especial.



## INSTALACIÓN, PASO 7

### Coloque la Manija y la Cuerda de Emergencia

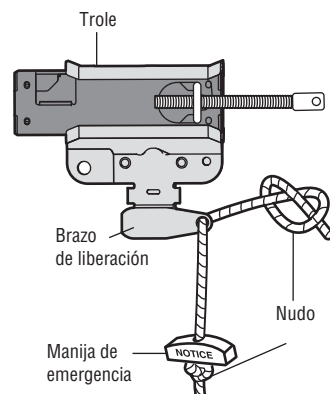
1. Inserte un extremo de la cuerda de desenganche de emergencia a través de la manija. Verifique que la palabra "NOTICE" (aviso) este; mirando hacia arriba. Asegurela con un nudo por lo menos 2.5 cm (1 pulg.) del extremo de la cuerda de desenganche de emergencia.
2. Inserte el otro extremo de la cuerda de desenganche de emergencia a través del orificio del brazo de desenganche del carro. Instale el abridor de emergencia donde pueda ser alcanzado, al menos 1.83 m (6 pies) sobre el nivel piso, donde no esté en riesgo de entrar en contacto con vehículos. Fijelo con un nudo.

**NOTA:** Si es necesario cortar la cuerda de desenganche de emergencia, queme el extremo cortado con un fósforo o con un encendedor para evitar que el cordón se desate. Asegúrese de que la cuerda de desenganche de emergencia y la manija estén encima de la parte superior de los vehículos para que no se enreden.

## ⚠️ ADVERTENCIA

Para evitar la posibilidad de una LESIÓN GRAVE o INCLUSO LA MUERTE si la puerta de la cochera se cae:

- De ser posible, use la manija de emergencia para soltar el trole SÓLO cuando la puerta de la cochera esté CERRADA. Si los resortes están débiles o rotos, o bien si la puerta está desbalanceada, la puerta abierta podría caerse rápida y/o inesperadamente.
- NUNCA use la manija de emergencia a menos que la entrada a la cochera esté libre de obstrucciones y no haya ninguna persona presente.
- NUNCA use la manija para tirar de la puerta para abrirla o cerrarla. Si el nudo de la cuerda se suelta, usted podría caerse.



## INSTALACIÓN, PASO 8

### Fije la ménsula de la puerta

Siga las instrucciones que correspondan al tipo de puerta que usted tenga, según las ilustraciones siguientes o de la próxima página.

**Si usa un refuerzo horizontal, debe ser lo suficientemente largo para poder fijarlo a dos o tres soportes verticales. Si usa un refuerzo vertical, debe cubrir la altura del panel superior de la puerta.**

En la Figura 1 se muestra un tramo de hierro en ángulo como refuerzo horizontal. Como refuerzo vertical, se usan dos hierros en ángulo para formar un perfil en U. La mejor alternativa sería consultar con el fabricante de la puerta para comprar directamente un juego de refuerzo estructural para instalación del mecanismo de apertura.

**NOTA:** Hay juegos prefabricados de refuerzo que permiten la conexión directa de la chaveta y del brazo de la puerta. En este caso, no necesitará instalar la ménsula de la puerta; continúe con el Paso 9.

### PUERTAS SECCIONALES

1. Centre la ménsula de la puerta en la línea vertical de centro marcada anteriormente para la instalación de la ménsula de cabecera. Asegúrese de que el lado marcado con la inscripción "UP" en el interior de la ménsula quede hacia arriba.
2. El borde superior de la ménsula debe quedar a una distancia de 5 a 10 cm (2 a 4 pulgadas) por debajo del borde superior de la puerta, o directamente bajo un soporte transversal en la parte superior de la puerta.
3. Haga los agujeros y proceda con las siguientes instrucciones de instalación, según el tipo de puerta:

**Puertas metálicas o livianas con refuerzo vertical de hierro en ángulo entre la nervadura de soporte del panel de la puerta y la ménsula de la puerta:**

- Haga los agujeros de 3/16 pulgadas para fijar la ménsula. Fije la ménsula de la puerta con dos tornillos autorroscantes de 1/4 de pulg.-14x5/8 de pulg (Figura 2A).
- Como alternativa puede usar dos pernos de 5/16 de pulg. con arandelas de presión y tuercas (no incluidos) (Figura 2B).

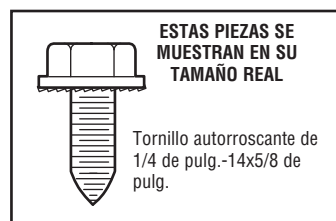
**Puertas metálicas, con aislación o livianas, reforzadas de fábrica:**

- Haga los agujeros de 3/16 de pulg. para fijar la ménsula. Fije la ménsula de la puerta con tornillos autorroscantes (Figura 3).

**Puertas de madera:**

- Puede usar los agujeros laterales o superior e inferior de la ménsula. Haga los agujeros correspondientes de 5/16 de pulg. en la puerta y fije la ménsula con tornillos de 5/16 de pulg.x2 de pulg., arandelas de presión y tuercas (no incluidos) (Figura 4).

**NOTA:** Los tornillos autorroscantes de 1/4 de pulg.-14x5/8 de pulg. no son aptos para puertas de madera.



## PRECAUCIÓN

En puertas de garaje de fibra de vidrio, aluminio o acero liviano **ES NECESARIO** colocar los refuerzos **ANTES** de instalar la ménsula de la puerta. Consulte con el fabricante de la puerta sobre juegos prefabricados de refuerzo.

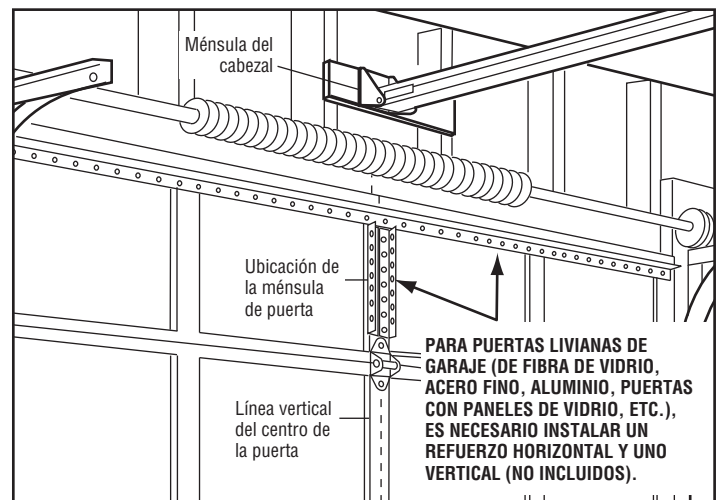


Figura 1

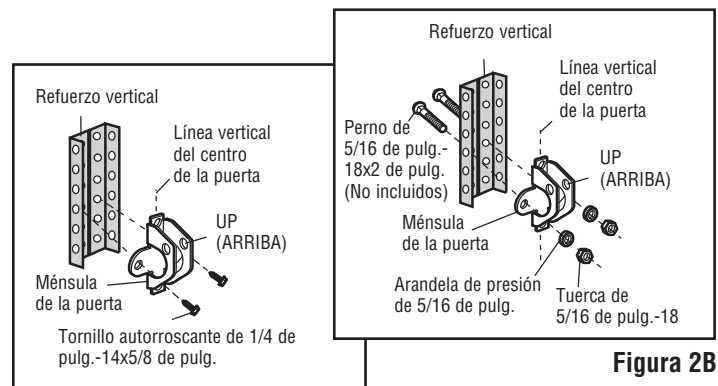


Figura 2B

Figura 2A

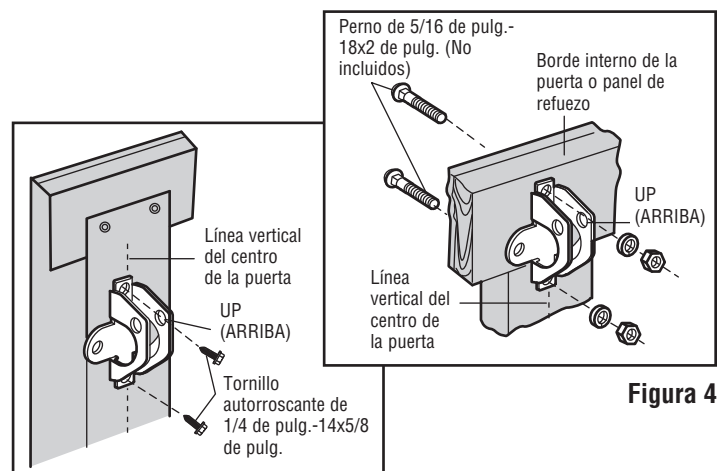


Figura 4

Figura 3

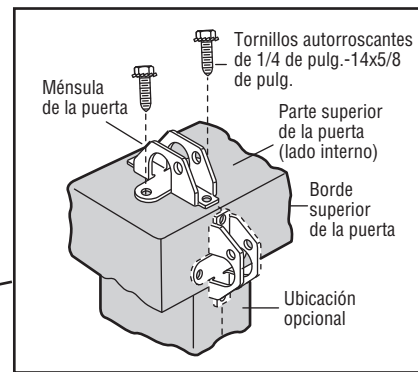
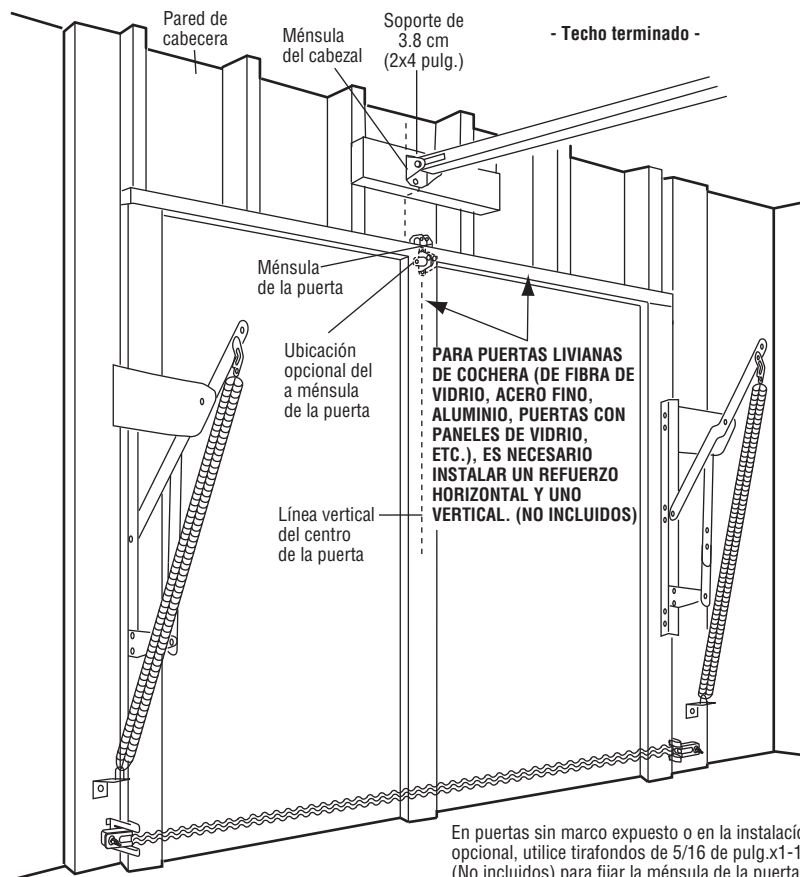
## Fije la ménsula de la puerta (continúa)

### PUERTAS DE UNA SOLA PIEZA

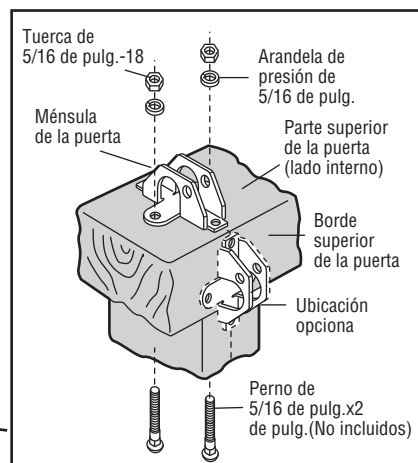
Lea y respete todas las advertencias e instrucciones respecto a los refuerzos contenidas en la página anterior, ya que son válidas también para puertas de una sola pieza.

- Centre la ménsula en la parte superior de la puerta, alineada con la ménsula del cabezal, tal se muestra en la ilustración. Marque ya sea los orificios derecho e izquierdo o superior e inferior.
- **Puertas metálicas:** Haga agujeros guía de 3/16 de pulg. y fije la ménsula con los tornillos autorroscantes de 1/4 de pulg.-14x5/8 de pulg. (incluidos).
- **Puertas de madera:** Haga los agujeros de 5/16 de pulg. y fije la ménsula con tornillos de 5/16 de pulg.x2 de pulg., tuercas y arandelas de presión (no incluidos), o con tirafondos de 5/16 de pulg.x1-1/2 de pulg. (no incluidos), según las condiciones particulares de instalación.

**NOTA:** La ménsula para la puerta puede ser instalada sobre el borde superior de la puerta si es necesario para su instalación en particular. (Vea la ilustración de colocación opcional, señalada con la línea punteada.)



**PUERTA METÁLICA**



**PUERTA DE MADERA**

## INSTALACIÓN, PASO 9

### Conecte el brazo de la puerta al trole

Siga las instrucciones que correspondan al tipo de puerta de cochera que usted tenga, como se muestra a continuación y en la página siguiente.

**IMPORTANTE:** El ranura en el brazo recto de la puerta **DEBE** voltearse el brazo curvado de la puerta (Figura 4).

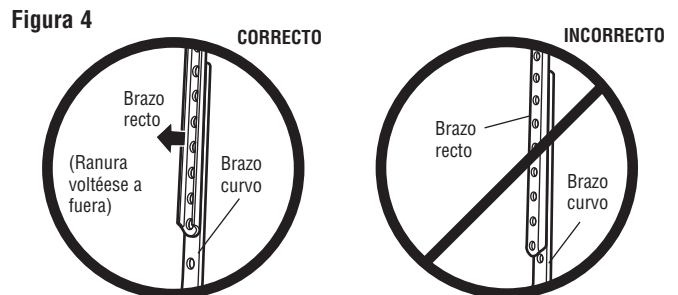
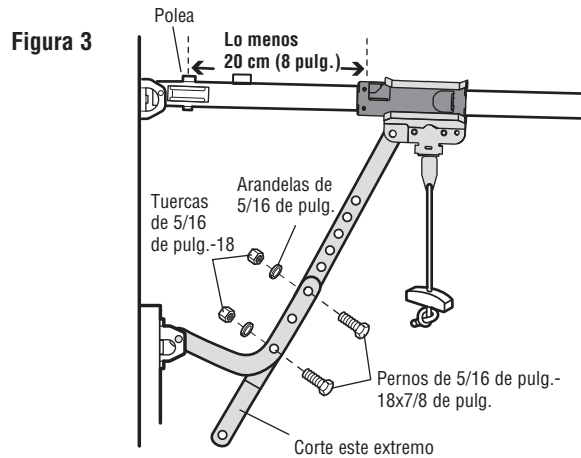
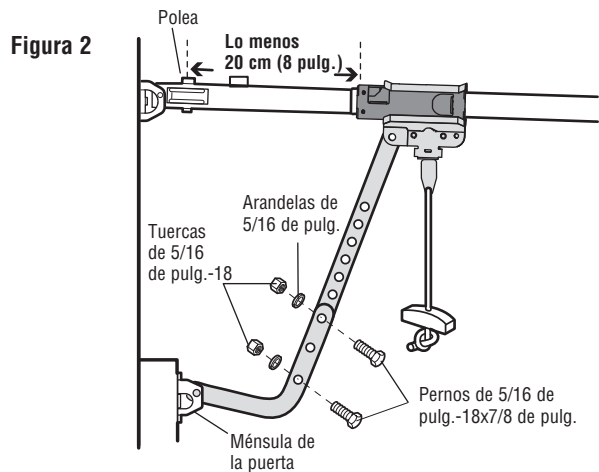
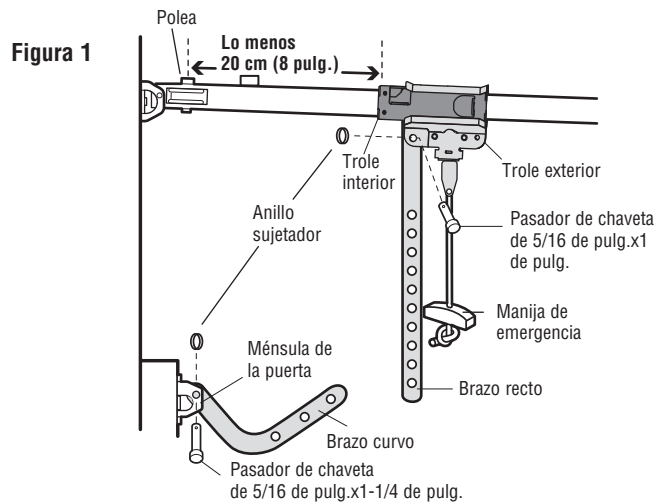
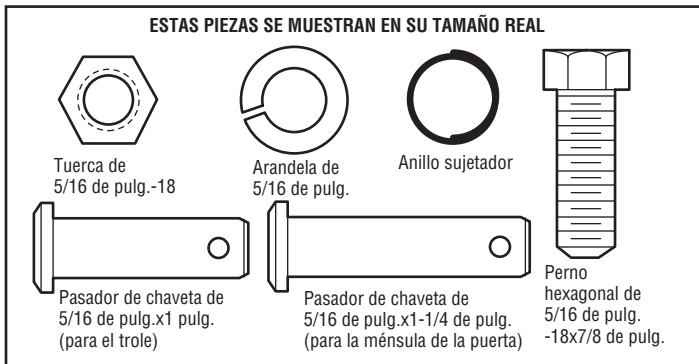
#### SÓLO PARA PUERTAS SECCIONALES

1. Cerciórese de que la puerta de la cochera esté completamente cerrada. Tire de la manija de emergencia para desconectar el trole exterior del trole interior. Deslice el trole exterior hacia atrás (en dirección opuesta a la polea) por lo menos 20 cm (8 pulg.) como se indica en las Figuras 1, 2 y 3.
2. Fije la sección recta del brazo de la puerta al trole exterior usando un pasador de chaveta de 5/16 de pulg.x1 pulg. Asegure la conexión con el anillo sujetador (Figura 1).
3. Fije la sección curva del brazo a la ménsula de la puerta de la misma manera, con un pasador de chaveta de 5/16 de pulg.x1-1/4 de pulg.
4. Junte las dos secciones del brazo, localizando dos pares de orificios que se puedan alinear. Seleccione dos orificios que estén tan separados como sea posible para aumentar la rigidez del brazo de la puerta (Figura 2).

#### Opciones para alinear los orificios (Figura 3):

- En caso de que los orificios del brazo curvo no se puedan alinear con los orificios del brazo recto, desconecte el brazo recto y corte aproximadamente 15 cm (6 pulg.) del extremo que no tiene orificios. Vuelva a conectarlo al trole, con el extremo cortado hacia abajo, como se muestra.
- Junte las dos secciones de los brazos.
- Localice dos pares de orificios de ambas secciones que se puedan alinear y únalos con tornillos, arandelas y tuercas.

Tire de la manija de emergencia hacia el abridor en un ángulo de 45 grados, de manera que el brazo de liberación del trole esté en posición horizontal. El trole volverá a estar listo automáticamente, cuando se opere el abridor.



## Conecte el brazo de la puerta al trole (continúa)

### TODAS LAS PUERTAS DE UNA SOLA PIEZA

**IMPORTANTE:** El ranura en el brazo recto de la puerta DEBE voltearse del brazo curvado de la puerta (Figura 5).

1. Cerrar la puerta. Desconectar el carro tirando de la manija de emergencia.
2. Unir las dos secciones del brazo de la puerta (recta y curva) con la mayor longitud posible (una superposición de dos o tres orificios).
3. Acoplar el brazo de la puerta a la ménsula de montaje con la chaveta de 5/16 de pulg.x1-1/4 de pulg. Asegurarlo con el aro de retención.
4. Acoplar el brazo curvo de la puerta al carro con la chaveta de 5/16 de pulg.x1 de pulg. Asegurarlo con el aro de retención.
5. Tirar de la manija de emergencia hacia el abridor hasta que el brazo del carro quede horizontal.

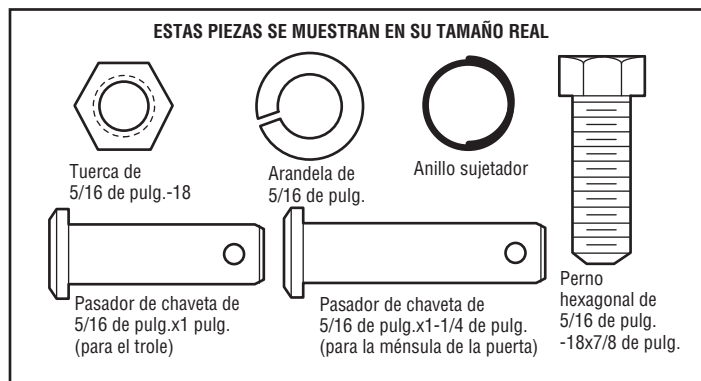


Figura 5

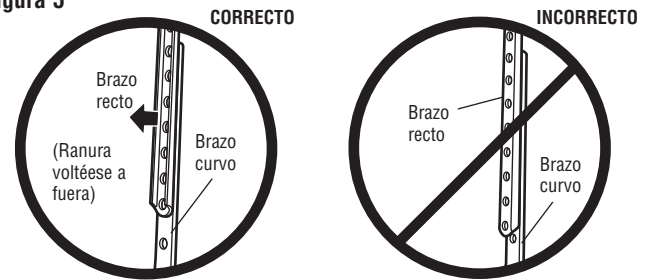


Figura 6 Puerta de una pieza sin riel guía

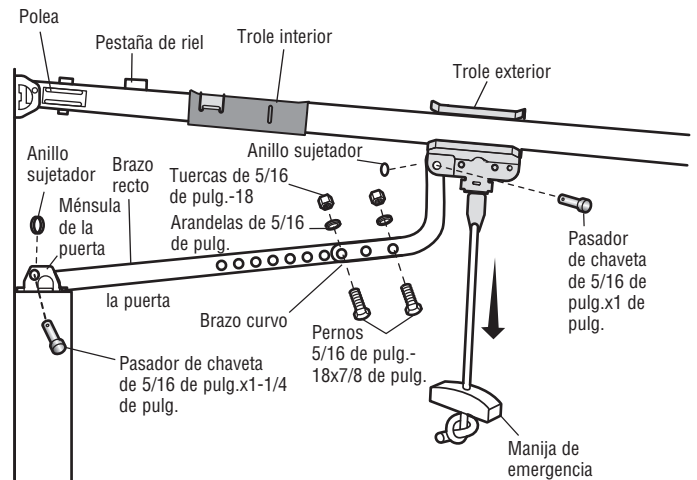
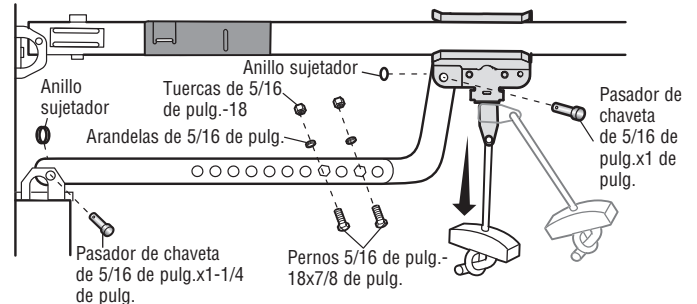


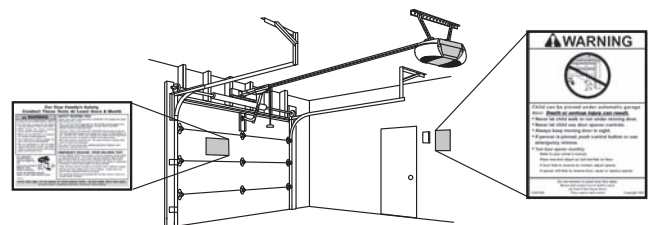
Figura 7 Puerta de una sola pieza con carril



## INSTALACIÓN, PASO 10

### Colocar las etiquetas de advertencia

1. Colocar con tachuelas o broches la etiqueta de advertencia de atrape en la pared cerca del control.
2. Colocar la etiqueta de seguridad y apertura manual en un lugar a la vista del lado interno de la puerta del garaje.



## INSTALACIÓN, PASO 11

### Instalar el control de la puerta

#### INTRODUCCIÓN

**NOTA:** Antiguos controles de la puerta de Craftsman o de terceras marcas no son compatibles.

El abridor de puerta de cochera es compatible hasta con dos controles AssureLink™.

Instalar el control donde la puerta quede a la vista, a una altura mínima de 5 pies (1.5 m), donde los niños no puedan alcanzarlo y esté alejado de las partes móviles de la puerta.

**NOTA:** Si se usa una caja para instalar el control, no es necesario hacer agujeros ni colocar tarugos en la pared. Simplemente usar los agujeros de la misma caja.

#### ALAMBRE DE CONTROL DE LA PUERTA (FIGURA 1)

1. Quitar 11 mm (7/16 de pulg.) de aislamiento de un extremo del cable y separar los cables.
2. Conectar un cable a cada uno de los dos tornillos en la parte de atrás del control. Los cables pueden conectarse indistintamente a cualquiera de los tornillos.

**Instalación con cableado existente:** Elegir dos cables para conectar e identificarlos para poder conectarlos al abridor más adelante.

#### MONTAR EL CONTROL DE LA PUERTA (FIGURA 2)

1. Marcar el lugar del agujero inferior y hacer un agujero de 4 mm (5/32 de pulg.).
2. Colocar el tornillo inferior y dejarlo sobresalir 3 mm (1/8 de pulg.) de la pared.
3. Hacer pasar el agujero inferior del control sobre la cabeza del tornillo inferior y deslizarlo hacia abajo.
4. Levantar el pulsador de barra y marcar el agujero superior.
5. En el lugar marcado, hacer un agujero de 4 mm (5/32 de pulg.) para el tornillo superior.
6. Hacer pasar el agujero inferior del control sobre la cabeza del tornillo inferior y deslizarlo hacia abajo. Colocar ahora el tornillo superior.

#### TENDER LOS CABLES DESDE EL CONTROL HASTA EL ABRIDOR (FIGURA 3)

**Instalación con cableado existente:** Asegurarse de usar los mismos cables que ya están conectados al control de la puerta.

1. Instalar los conductores blanco y rojo entre el control y el abridor. Fijar el cable a la pared y al techo con broches (a menos que se utilicen cajas de conexión o sea una instalación existente). Tomar precauciones para no perforar el cable con los broches ya que esto podría causar un cortocircuito o interrumpir la continuidad de los conductores.
2. Quitar 11 mm (7/16 de pulg.) de aislamiento del extremo del cable cercano al abridor.
3. Conectar los conductores a los terminales rojo y blanco del abridor.

## ⚠️ ADVERTENCIA

Para evitar la posibilidad de una LESIÓN GRAVE o INCLUSO LA MUERTE por electrocución:

- Desconecte TODA la corriente eléctrica y de la batería ANTES de realizar cualquier servicio o mantenimiento.
  - Conecte el control SÓLO a cables de bajo voltaje de 12 VOLTIOS.
- Para evitar la posibilidad de una LESIÓN GRAVE o INCLUSO LA MUERTE cuando la puerta de la cochera se está cerrando:
- Instale el control de la puerta de manera que quede a la vista desde la puerta de la cochera, fuera del alcance de los niños a una altura mínima de 1.5 m (5 pies), y alejado de las partes móviles de la puerta.
  - NUNCA permita que los niños hagan funcionar o jueguen con los botones de control de la puerta ni con los transmisores de control remoto.
  - Haga funcionar la puerta SÓLO si la puede ver claramente, si la puerta está debidamente ajustada, y si no hay ninguna obstrucción en su recorrido.
  - SIEMPRE tenga a la vista la puerta de la cochera hasta que esté completamente cerrada. NUNCA permita que alguien se atraviese en el recorrido de la puerta de la cochera cuando se está cerrando.

#### ESTAS PIEZAS SE MUESTRAN EN SU TAMAÑO REAL

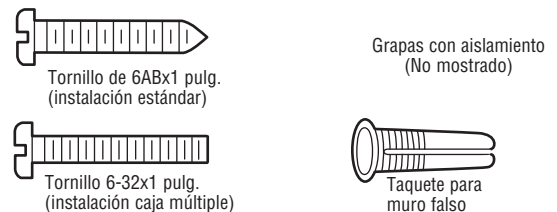


Figura 1

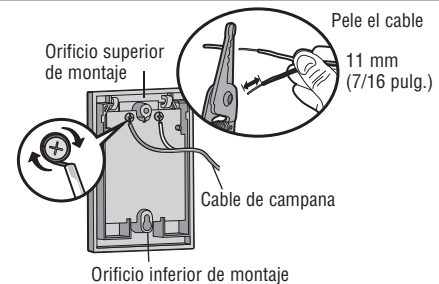


Figura 2

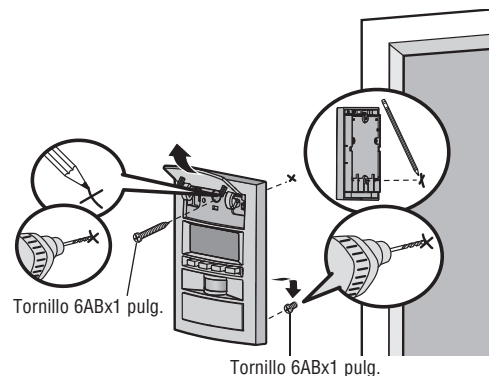
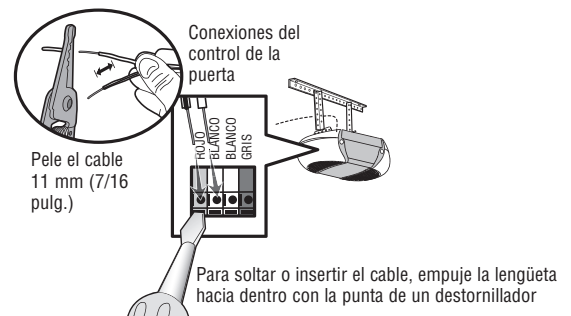


Figura 3



## INSTALACIÓN, PASO 12

### Instale la Protector System®

#### INFORMACIÓN IMPORTANTE CON RESPECTO AL SENSOR DE SEGURIDAD DE REVERSA

El sensor de seguridad de reversa debe estar instalado y alineado correctamente, antes de que el abridor de la puerta de cochera mueva la puerta hacia abajo.

El sensor emisor (LED ámbar) transmite un haz de luz invisible hacia el sensor receptor (LED verde). Si una obstrucción interrumpe el haz de luz mientras la puerta se está cerrando, la puerta se detendrá y regresará a la posición totalmente abierta. Las luces destellarán diez veces.

**NOTA:** Para ahorrar energía, el abridor entrará a modo pasivo cuando la puerta esté totalmente cerrada. En modo pasivo, el abridor permanece apagado hasta que vuelva a activarse. En modo pasivo está en sincronismo con la lámpara del abridor. Al apagarse la lámpara se apagarán los LED de los sensores y cuando la lámpara se enciende, se encienden los sensores. El abridor no pasará al modo pasivo antes de que se hayan realizado cinco ciclos de operación con la unidad.

Al instalar los sensores de seguridad verificar lo siguiente:

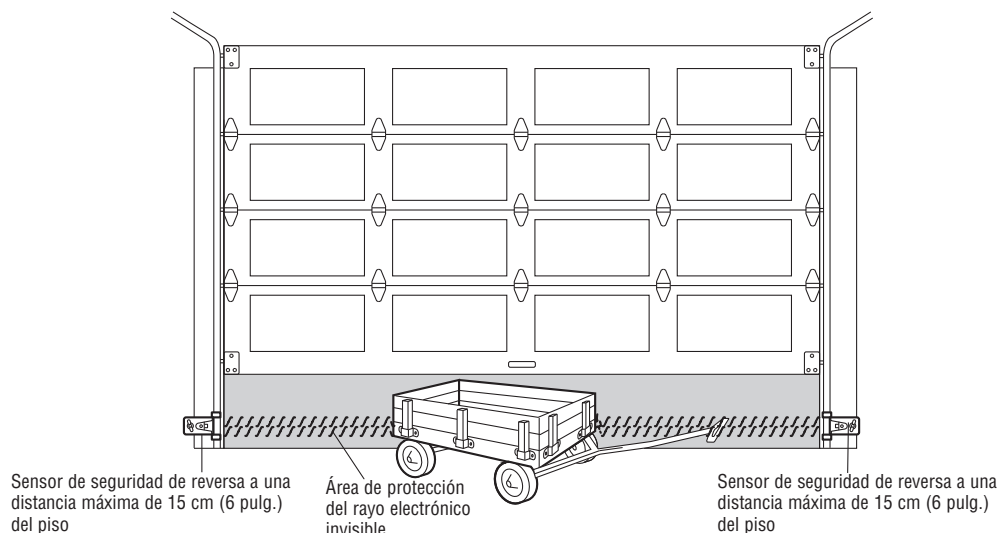
- Que los sensores estén instalados dentro del garaje, uno de cada lado de la puerta.
- Que los sensores estén enfrentados entre sí y correctamente alineados. El sensor receptor no debe recibir luz solar directa.
- Que los sensores están montados a una altura máxima de seis pulgadas (15 cm) sobre el piso y no haya obstrucciones en la trayectoria del haz de luz.

## ⚠ ADVERTENCIA

Cerciórese de que la energía eléctrica NO esté conectada al abridor de la puerta de la cochera ANTES de instalar el sensor del sistema de retroceso de seguridad.

Para evitar una LESIÓN GRAVE o INCLUSO LA MUERTE cuando la puerta de la cochera se está cerrando:

- Conecte y alinee correctamente el sensor de seguridad de reversa. Este dispositivo de seguridad es necesario y no se DEBE desactivar.
- Instale el sensor de seguridad de reversa de manera que el rayo NO ESTÉ a más de 15 cm (6 pulg.) del piso.



#### Vista de la puerta desde el interior de la cochera

## Instale la Protector System® (continúa)

### INSTALACIÓN DE LAS MÉNSULAS

Asegúrese de que el abridor no esté conectado a la corriente eléctrica. Instale y alinee las ménsulas de manera que los sensores estén uno frente al otro en los lados opuestos de la puerta, a una distancia máxima de 15 cm (6 pulg.) del piso. Instale las ménsulas de una de las tres maneras siguientes:

#### Instalación en el carril de la puerta de la cochera (recomendada):

1. Deslice los brazos curvos sobre la orilla redondeada de cada uno de los carriles de la puerta, con los brazos curvos apuntando hacia la puerta. Colóquelos en su posición contra el costado del carril. Debe quedar ras, con el reborde pegado a la orilla posterior del carril, como se ilustra en la Figura 1.

Si el carril de su puerta no soporta la ménsula firmemente, se recomienda que la instale sobre la pared.

#### Instalación en la pared (Figuras 2 y 3):

1. Coloque la ménsula contra la pared con los brazos curvos apuntando hacia la puerta. Cerciérese de que haya suficiente espacio para que el rayo del sensor no esté obstruido.
2. Si es necesario tener más profundidad, puede usar ménsulas de extensión (vea Accesorios) o bloques de madera.
3. Use los orificios de montaje de la ménsula para marcar y taladrar los (2) orificios de 3/16 de pulgada de diámetro a cada lado de la puerta a una distancia máxima de 15 cm (6 pulg.) del piso.
4. Fije la ménsula a la pared con tornillos de cabeza cuadrada (no se incluyen).
5. Si está usando ménsulas de extensión o bloques de madera por la falta de espacio, asegúrese de que las dos unidades queden a la misma distancia de la superficie de montaje. Asimismo, asegúrese de que no haya ninguna obstrucción.

#### Instalación en el piso (Figura 4):

1. Use bloques de madera o ménsulas de extensión (vea Accesorios) para elevar las ménsulas de los sensores de manera que las lentes queden a una distancia máxima de 15 cm (6 pulg.) del piso.
2. Cuidadosamente mida e instale las unidades derecha y izquierda a la misma distancia con respecto a la pared. Asegúrese de que no haya ninguna obstrucción.
3. Fije al piso las ménsulas para los sensores con los sujetadores para cemento, como se muestra en la ilustración.

Figura 1 INSTALACIÓN EN EL CARRIL DE LA PUERTA (LADO DERECHO)

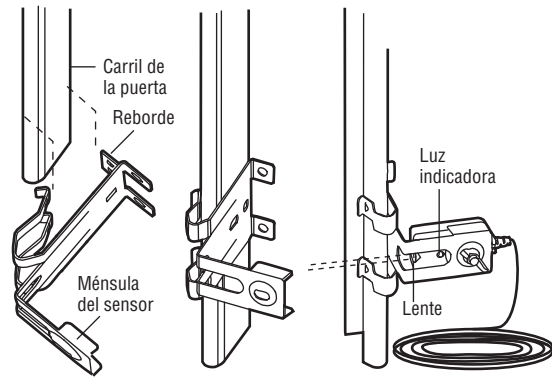


Figura 2 INSTALACIÓN EN LA PARED (LADO DERECHO)

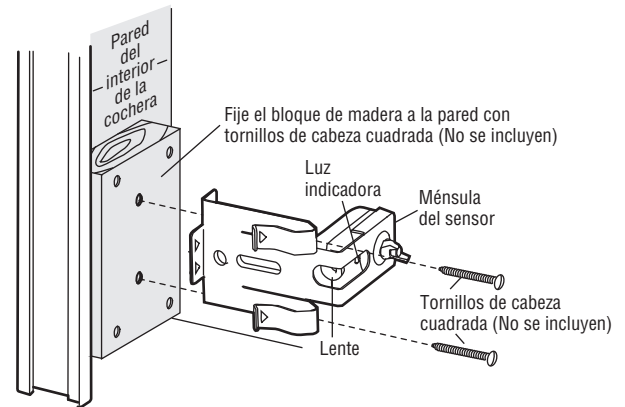


Figura 3 INSTALACIÓN EN LA PARED (LADO DERECHO)

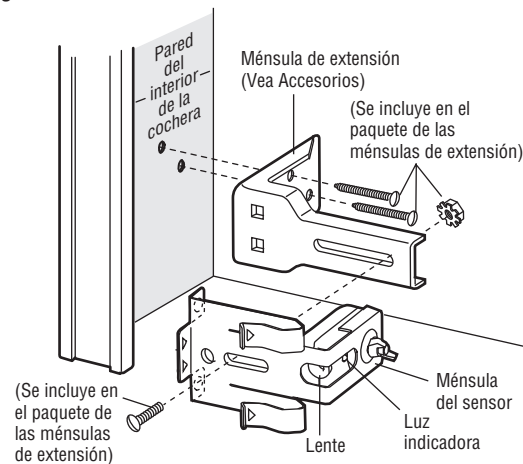
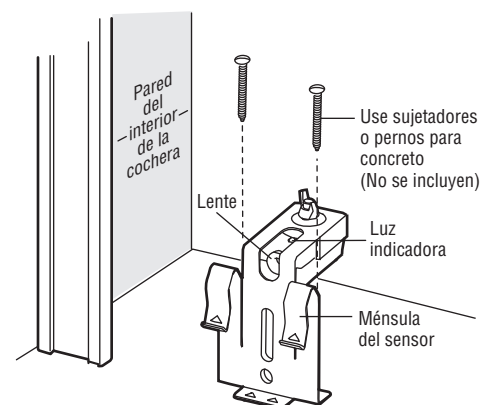
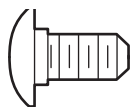


Figura 4 INSTALACIÓN EN EL PISO (LADO DERECHO)



#### ESTAS PIEZAS SE MUESTRAN EN SU TAMAÑO REAL



Perno de coche de  
1/4 de pulg.-20x1/2 de pulg.



Tuerca de mariposa  
1/4 de pulg.-20

Grapas con aislamiento  
(No mostrado)



## Instale la Protector System® (continúa)

### MONTAJE Y CABLEADO DE LOS SENSORES DEL SISTEMA DE SEGURIDAD DE REVERSA

#### Montaje:

1. Introduzca la cabeza de un perno de coche de 1/4 de pulg.-20x1/2 de pulg. en la ranura correspondiente de cada sensor. Ajuste los sensores a las ménsulas con tuercas mariposa, con los lentes enfrentados, uno de cada lado de la puerta. Asegúrese de que el lente del sensor no quede tapado por la ménsula (Figura 5).

2. Ajuste a mano las tuercas mariposa.

#### Opción A – Instalación sin cables preinstalados:

1. Instale los cables desde los sensores hasta el abridor. Fije los cables a la pared y el techo con broches (Figura 6).

#### Opción B – Con cables preinstalados:

Instrucciones para el caso de que existan cables preinstalados para los sensores de inversión:

1. Corte el extremo del cable del sensor de inversión dejando suficiente largo de cable para que pueda empalmarse con los cables preinstalados (Figura 7).

2. Separe los conductores del par y quite 11 mm (7/16 de pulg.) de aislamiento en cada uno. En dos de los cables preinstalados quite 11 mm (7/16 de pulg.) de aislamiento en cada uno. Elija el mismo color de cable preinstalado para cada sensor (Figura 8).

3. Conecte al sensor los cables preinstalados, usando capuchones de empalme. Verifique que los colores sean los que correspondan a cada sensor (Figura 9).

#### CONECTE AL ABRIDOR DE LA PUERTA DE COCHERA:

1. Pele 11 mm (7/16 de pulg.) de aislación en cada extremo de los cables. Separe el cable blanco del blanco/negro para conectarlos a los terminales de conexión rápida del abridor. Empalme entre sí los cables del mismo color. Inserte los cables en los orificios de los terminales: el blanco al blanco y el blanco/negro al gris (Figura 10).

Figura 5

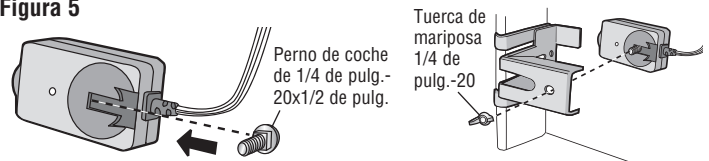


Figura 6

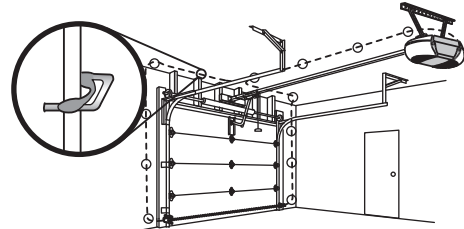


Figura 7

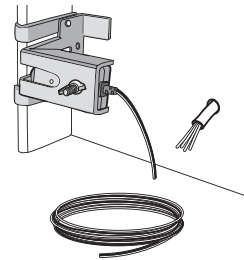


Figura 8

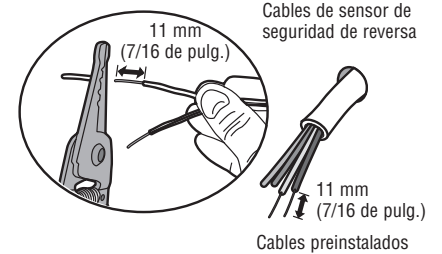


Figura 9

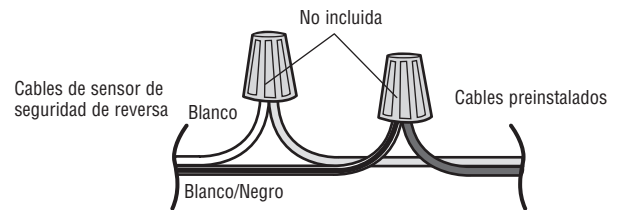
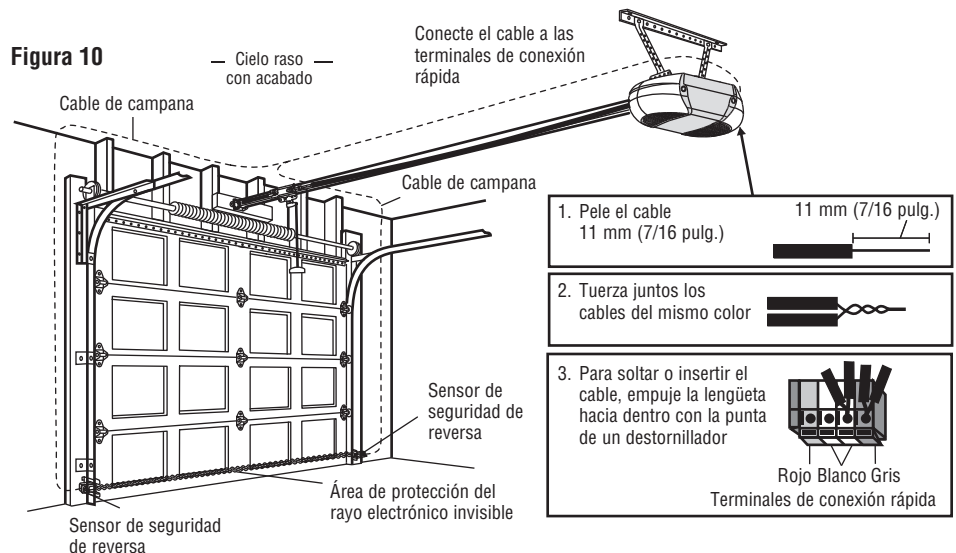


Figura 10



## INSTALACIÓN, PASO 13

### Requisitos para la instalación eléctrica

Para evitar dificultades con la instalación, no encienda ni use el abridor en este momento.

Para reducir el riesgo de choque eléctrico, su abridor para puerta de cochera viene con una clavija de conexión a tierra de tres patas. Esta clavija sólo se puede conectar a una toma de corriente puesta a tierra y con tres entradas. Si la clavija no entra en la toma de corriente que usted tiene, diríjase a un electricista profesional para que le instale la toma de corriente correcta.

#### HAY DOS OPCIONES PARA CONECTAR LA ALIMENTACIÓN ELÉCTRICA:

##### OPCIÓN A CONEXIÓN TÍPICA

1. Enchufe el abre-puertas a un tomacorriente con puesta a tierra.
2. Por el momento, NO ponga en funcionamiento el abre-puertas.

##### OPCIÓN B CONEXIÓN PERMANENTE (Modelos fabrica ANTES de 12 Abril 2013)

Si la reglamentación local exige que su abre-puertas tenga cableado permanente, siga los siguientes pasos. Para hacer una conexión permanente a través de la entrada de 7/8 de pulg. en la parte superior del motor (según las normas municipales vigentes):

1. Verifique que la energía NO este conectada al abre-puertas y desconecte la energía eléctrica al circuito.
2. Quite la tapa del abre-puertas de garaje y coloquela a un costado.
3. Quite el terminal verde de puesta a tierra.
4. Corte los cables negro y blanco y pele los 1 cm (1/2 pulg.), 7.5 cm (3 pulg.) antes de los terminales bayoneta.
5. Quite el cordón eléctrico del abre-puertas.
6. Instale un conducto o adaptador de cable flexible en el orificio de 7/8 de pulg.
7. Pase los cables por el conducto, corte los a la medida correspondiente y quite el aislamiento.
8. Conecte los capuchones de empalme suministrados. Conecte el cable de puesta a tierra al tornillo verde de puesta a tierra. El abre-puertas debe estar puesto a tierra.
9. Atar el cable con los lazos prensacables para que no entre en contacto con las partes en movimiento.
10. Vuelva a colocar la tapa. Por el momento, NO ponga en funcionamiento el abre-puertas.

##### OPCIÓN B CONEXIÓN PERMANENTE (Modelos fabrica DESPUES de 12 Abril 2013)

Si la reglamentación municipal exige que su abre-puertas tenga cableado permanente, siga los siguientes pasos. Para efectuar una conexión permanente usando la entrada superior de 7/8 de pulg. en la parte superior del motor:

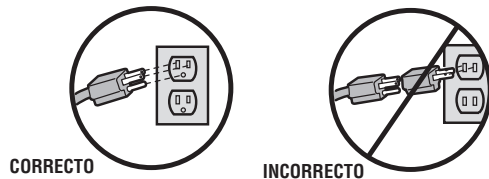
1. Quite los tornillos de la tapa del motor y desmonte la tapa.
2. Quite el cordón de 3 patas.
3. Conecte el cable negro de línea al tornillo del terminal de bronce; el cable blanco (neutro) al tornillo del terminal plateado, y el cable de tierra al tornillo verde. **El abre-puertas debe tener conexión a tierra.**
4. Vuelva a colocar la tapa.

## ⚠️ ADVERTENCIA

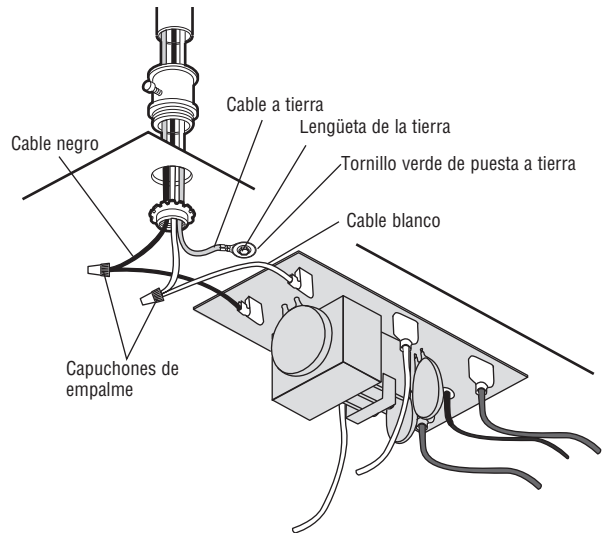
Para evitar la posibilidad de una LESIÓN GRAVE o INCLUSO LA MUERTE por electrocución o incendio:

- Cerciórese de que el abridor NO esté conectado a la energía eléctrica, y desconecte la alimentación eléctrica al circuito ANTES de quitar la cubierta para establecer la conexión del cableado permanente.
- Tanto la instalación como el cableado de la puerta de cochera DEBEN cumplir con TODOS los códigos locales de construcción y eléctricos.
- NUNCA use una extensión ni un adaptador de dos hilos, tampoco modifique la clavija para poder enchufarla. Asegúrese de que el abridor esté puesto a tierra.

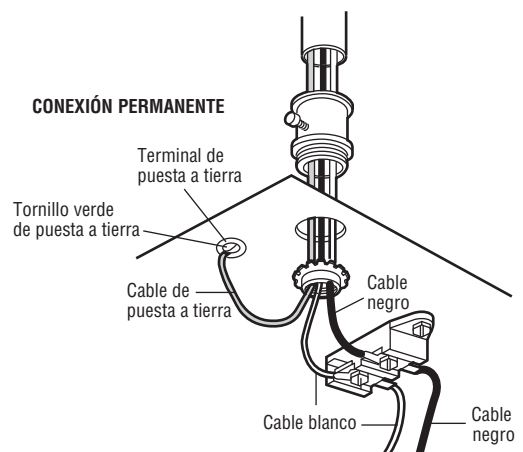
#### Opción A Conexión típica



#### Opción B Conexión permanente (Modelos fabrica antes de 12 Abril 2013)



#### Opción B Conexión permanente (Modelos fabrica despues de 12 Abril 2013)



## INSTALACIÓN, PASO 14

### Alineación de los sensores de reversa de seguridad

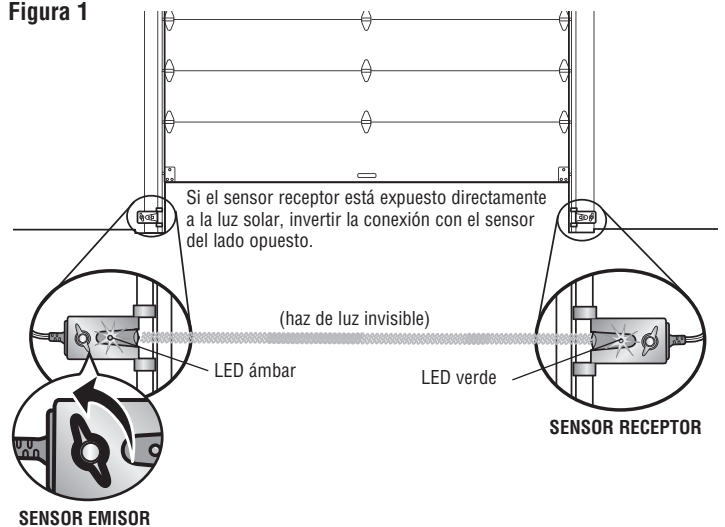
La puerta no se cerrará si los sensores de inversión no están instalados y alineados.

Si el haz de luz está desalineado o hay una obstrucción cuando la puerta se está cerrando, la misma invertirá su dirección y las luces se encenderán y apagarán diez veces. Si la puerta estuviera abierta, no se cerrará.

1. Verificar que los LED de los sensores estén encendidos. Si los sensores están conectados y alineados correctamente, los LED quedarán encendidos (Figura 1).

Para alinear los sensores, aflojar las tuercas mariposa, alinearlos y volver a ajustar las tuercas.

Figura 1

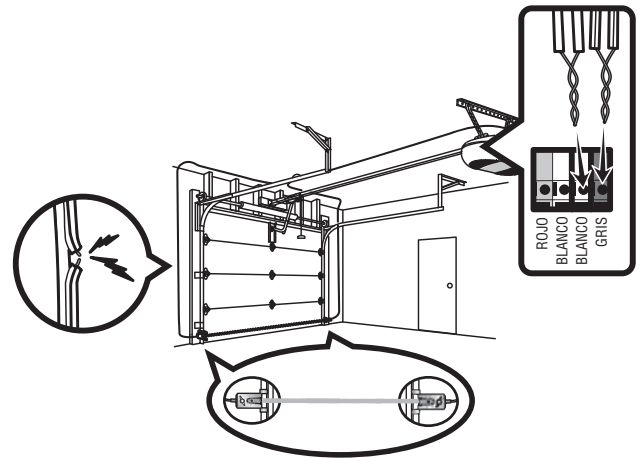


### SI EL LED ÁMBAR DEL SENSOR EMISOR NO SE ENCENDIERA:

1. Verificar que llegue energía eléctrica al abridor.
2. Verificar que no haya un cortocircuito ni el sensor esté roto.
3. Verificar que el sensor esté correctamente conectado: cables blancos al terminal blanco y cables blanco/negro al terminal gris.

### SI EL LED VERDE DEL SENSOR RECEPTOR NO SE ENCENDIERA:

1. Verificar que no haya un cortocircuito ni el sensor esté roto.
2. Verificar la alineación de los sensores.

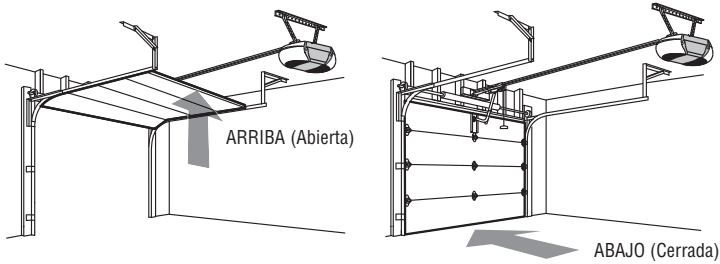


## AJUSTES

### Introducción

El abridor tiene controles electrónicos que facilitan su instalación y regulación. Puede regularse el punto de parada de la puerta en su posición abierta (ARRIBA) y cerrada (ABAJO). Los controles electrónicos detectan la fuerza que es necesaria para abrir y para cerrar la puerta. Esta fuerza se regula automáticamente al programarse la unidad.

**NOTA:** La puerta se detendrá si encuentra una interferencia en su movimiento hacia arriba. La puerta invertirá su dirección de movimiento si encuentra una interferencia en su movimiento hacia abajo.



### SÓLO PARA PUERTAS DE UNA SOLA PIEZA

Al calibrar los límites de una puerta de una sola pieza verificar que la puerta no quede inclinada hacia atrás al llegar al límite SUPERIOR de desplazamiento. Si la puerta quedara inclinada hacia atrás se deformará y/o hará movimientos irregulares al abrir o al cerrar.

### BOTONES DE PROGRAMACIÓN

Los botones de programación están en el panel a la izquierda del abridor y se utilizan para programar el desplazamiento de la puerta.

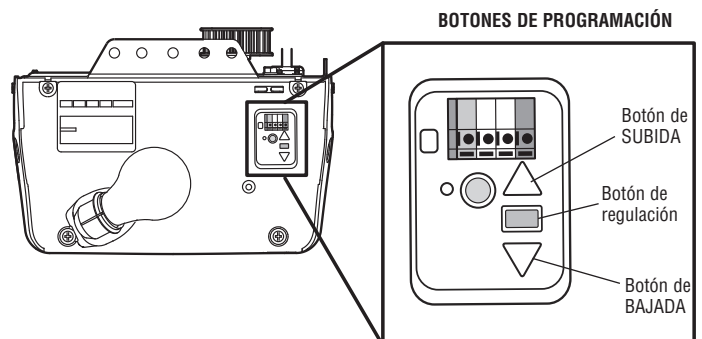
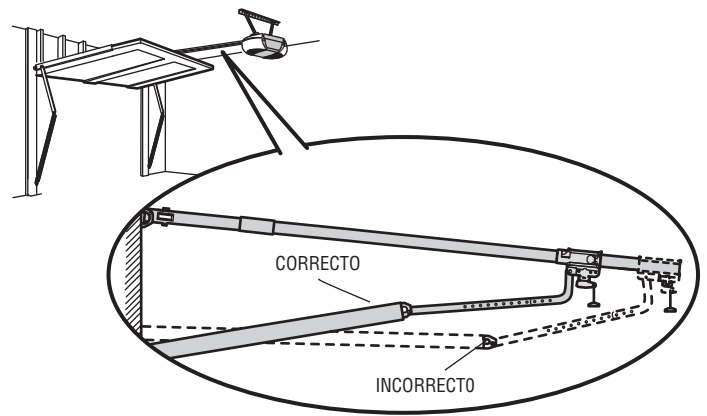
## ! ADVERTENCIA

Si el sistema de retroceso de seguridad no se ha instalado debidamente, las personas (y los niños pequeños en particular) podrían sufrir LESIONES GRAVES o INCLUSO LA MUERTE cuando se cierra la puerta de la cochera.

- El ajuste incorrecto de los límites del recorrido de la puerta de la cochera interferirá con la operación adecuada del sistema de retroceso de seguridad.
- NUNCA use los ajustes de la fuerza para compensar si la puerta del garaje se atasca o se atora.
- Después de llevar a cabo cualquier ajuste, se DEBE probar el sistema de retroceso de seguridad. La puerta DEBE retroceder al entrar en contacto con un objeto de 3.8 cm (1-1/2 de pulg.) de altura (o bien un pedazo de madera de 5x10 cm (2x4 pulg.) acostado) en el piso.

## PRECAUCIÓN

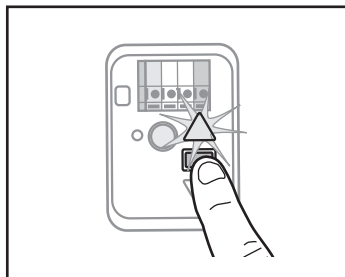
Para evitar que los vehículos sufran daños, cerciórese de que cuando la puerta esté completamente abierta haya espacio suficiente.



## AJUSTES, PASO 1

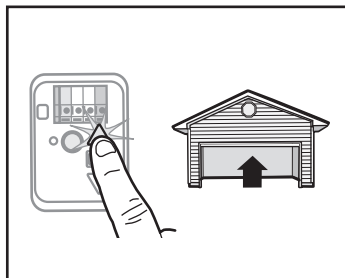
### Programación del desplazamiento

1. Mantener pulsado el botón de regulación hasta que el botón de subida se encienda intermitentemente y/o se escuche una señal sonora.



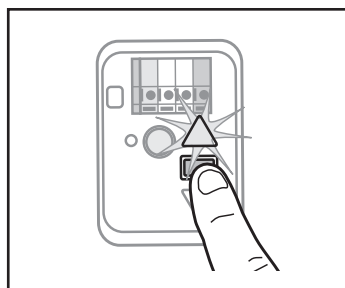
2. Mantener pulsado el botón de subida hasta que la puerta llegue a la posición deseada de apertura.

**NOTA:** Los botones de subida y bajada pueden utilizarse para mover la puerta cuando sea necesario.



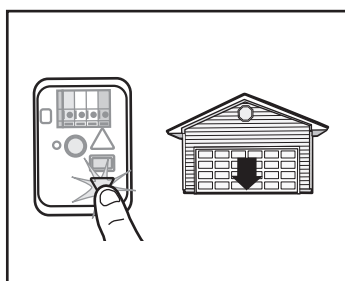
3. Cuando la puerta se encuentre en la posición deseada de apertura, pulsar el botón de regulación. Las luces destellarán dos veces y el botón de BAJADA se encenderá intermitentemente.

**NOTA IMPORTANTE:** Para instalación de puertas de una sola pieza véase la página 28.

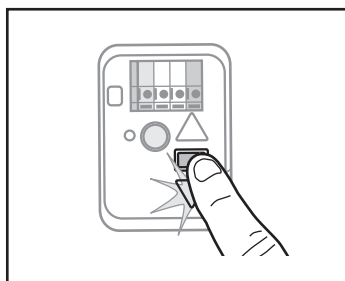


4. Mantener pulsado el botón de bajada hasta que la puerta llegue a la posición deseada de cierre.

**NOTA:** Los botones de subida y bajada pueden utilizarse para mover la puerta cuando sea necesario.



5. Cuando la puerta se encuentre en la posición deseada de cierre, pulsar el botón de regulación. Las luces destellarán dos veces y el botón de SUBIDA se encenderá intermitentemente.

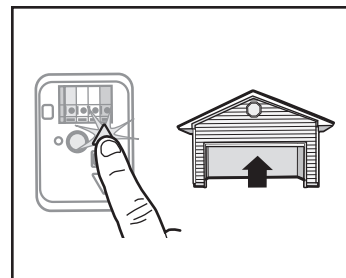


## ⚠ ADVERTENCIA

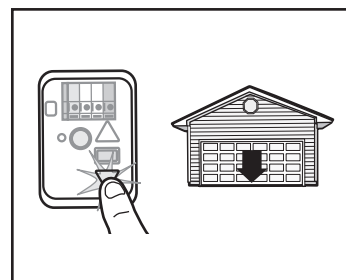
Si el sistema de retroceso de seguridad no se ha instalado debidamente, las personas (y los niños pequeños en particular) podrían sufrir LESIONES GRAVES o INCLUSO LA MUERTE cuando se cierra la puerta de la cochera.

- El ajuste incorrecto de los límites del recorrido de la puerta del garaje habrá de interferir con la operación adecuada del sistema de auto-reversa de seguridad.
- Después de llevar a cabo cualquier ajuste, se DEBE probar el sistema de retroceso de seguridad. La puerta DEBE retroceder al entrar en contacto con un objeto de 3.8 cm (1-1/2 de pulg.) de altura (o bien un pedazo de madera de 5x10 cm (2x4 pulg.) acostado) en el piso.

6. Oprima y suelte y botón de SUBIDA. Cuando la puerta se desplace a la posición programada de apertura, el botón de BAJADA se encenderá intermitentemente.



7. Oprima y suelte y botón de BAJADA. La puerta se desplazará hasta la posición programada de cierre. La programación ha finalizado.



\* Si las luces del abridor se encendieran intermitentemente cinco veces durante la programación, significa que ha pasado el tiempo asignado a la programación. Si las luces del abridor se encendieran intermitentemente diez veces durante la programación significa que los sensores de seguridad están mal alineados u obstruidos (ver la página 27). Cuando los sensores estén bien alineados y no haya obstrucción, abrir y cerrar la puerta con el control remoto o con los botones de subida y bajada. La programación ha finalizado. Si no fuera posible hacer un ciclo de apertura y cierre de la puerta, repetir los pasos de programación explicados anteriormente.

## AJUSTES, PASO 2

### Pruebe el sistema de seguridad de reversa

#### PRUEBA

1. Abra completamente la puerta, coloque un pedazo de madera de 3.8 cm (o un tablón de madera de 2x4 pulg.) acostado sobre el piso al centro de la puerta del garaje.
2. Opere la puerta en la dirección hacia abajo. La puerta **deberá** entrar en reversa automáticamente al hacer contacto con la obstrucción.

#### AJUSTE

- Si la puerta se detiene al toparse con la obstrucción, esto significa que el recorrido HACIA ABAJO (cerrar) no es suficiente. Termine Ajustes, Paso 1.

**NOTA:** Si su puerta es seccional, asegúrese de que los ajustes al límite no hagan que el brazo de la puerta se mueva más allá de una posición recta hacia arriba y hacia abajo. Vea Figura 3, de la página 20.

- Repita la prueba.
- Si la puerta retrocede automáticamente al hacer contacto con el pedazo de madera de 3.8 cm (1-1/2 de pulg.) (o un tablón de madera de 2x4 pulg.), quite la obstrucción y abra y cierre la puerta completamente por lo menos cuatro o cinco veces para verificar que el ajuste sea adecuado.
- Si la unidad aún no pasa la prueba del sistema de reversa, llame a un técnico especializado en sistemas de apertura de puertas.

#### VERIFICACIÓN IMPORTANTE DE SEGURIDAD:

Pruebe del sistema de seguridad de reversa después de que:

- Se hagan ajustes al largo del brazo de la puerta, los límites del recorrido, o los controles de la fuerza.
- Se hagan reparaciones o ajustes a la puerta del garaje (incluyendo los resortes y la pernería).
- Se hagan reparaciones al piso del garaje porque está desnivelado, etc.
- Se hagan reparaciones o ajustes al abridor.

## AJUSTES, PASO 3

### Pruebe la Protector System®

1. Abra la puerta con el control remoto.
2. Coloque en el piso la caja en la que vino embalado el abridor, adonde interfiera con el recorrido de la puerta.
3. Comande el cierre de la puerta con el control remoto. La puerta no se moverá más de 2.5 cm (1 pulgada) y la luz del abridor comenzará a destellar.

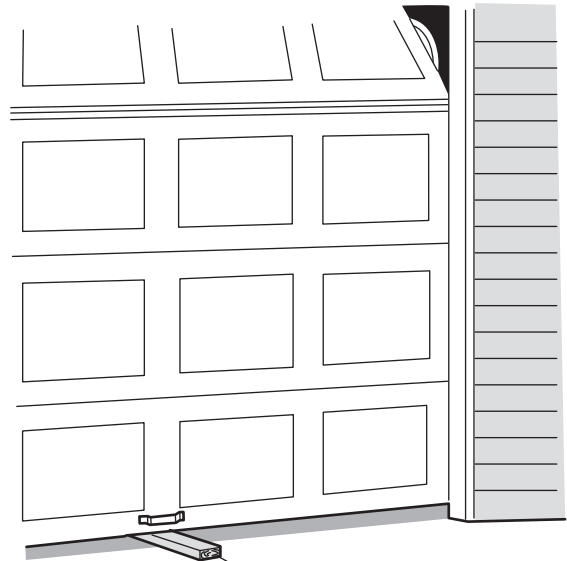
El abridor no ejecutará el cierre con comando remoto si la luz indicadora de cualquiera de los sensores de seguridad estuviera apagada (advirtiéndolo al usuario que los sensores están desalineados o hay una obstrucción).

**Si el abridor comanda el cierre de la puerta con una obstrucción presente (y los sensores de seguridad no están instalados a más de 15 cm (6 pulgadas) de altura sobre el piso), llame a un técnico especializado para reparar este problema.**

## ⚠ ADVERTENCIA

Si el sistema de reversa de seguridad no se ha instalado debidamente, las personas (y los niños pequeños en particular) podrían sufrir LESIONES GRAVES o INCLUSO LA MUERTE cuando se cierre la puerta del garaje.

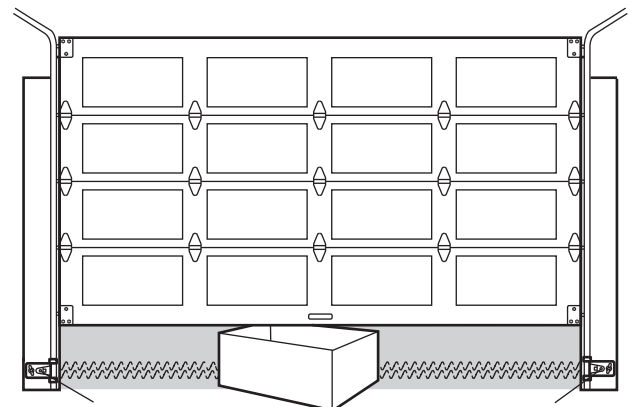
- El sistema de reversa de seguridad se DEBE probar cada mes.
- Después de llevar a cabo cualquier ajuste, se DEBE probar el sistema de reversa de seguridad. La puerta DEBE retroceder al entrar en contacto con un objeto de 3.8 cm (1-1/2 de pulg.) de altura (o un tablón de madera de 2x4 pulg.) acostado en el piso.



Pedazo de madera de 3.8 cm (1-1/2 de pulg.), (o un tablón de madera de 3.8 cm (2x4 pulg.) acostado sobre el piso)

## ⚠ ADVERTENCIA

Si el sistema de auto-reversa de seguridad no se ha instalado debidamente, las personas (y los niños pequeños en particular) podrían sufrir ACCIDENTES GRAVES o FATALES cuando se cierre la puerta del garaje.



Sensor de seguridad de reversa

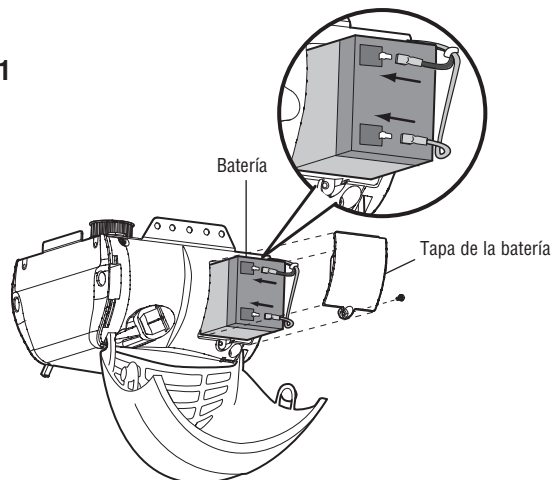
Sensor de seguridad de reversa

## BATERÍA DE RESERVA

### Instale la batería (Figura 1)

1. Desenchufar el abridor.
2. Abrir la tapa de la luz del lado derecho de la unidad. Con un destornillador Phillips quitar la tapa de batería del abridor.
3. Colocar parcialmente la batería en su compartimiento, con los terminales hacia afuera.
4. Conectar los conductores rojo (+) y negro (-) del abridor a los terminales de la batería.
5. Volver a colocar la tapa del compartimiento.
6. Enchufar el abridor.
7. Esperar a que el LED verde de estado de batería se encienda intermitentemente antes de probar la batería.

Figura 1



### Prueba de la batería (Figura 2)

1. Desenchufar el abridor. El LED estará encendido de color anaranjado indicando que el mecanismo está operando con batería o se encenderá intermitentemente indicando que la batería tiene baja carga.  
**NOTA:** Verificar que el abridor esté desenchufado.
2. Abrir y cerrar la puerta con el control remoto o el control de la puerta. Si la batería no está totalmente cargada, el abridor podría funcionar a menor velocidad. La batería se carga totalmente en 24 horas.
3. Enchufar el abridor. Verificar que el LED se encienda intermitentemente de color verde indicando que la batería está cargada.

### Carga de la batería

La batería se carga cuando el abre-puertas de garaje está conectado a un tomacorriente eléctrico de 110 Vca que tiene energía y requiere 24 horas para cargarse completamente. Una batería completamente cargada suministra 12 Vcd a la unidad de motor durante uno o dos días de operación normal durante una falla de energía eléctrica. Si el voltaje de la batería cae a un nivel demasiado bajo, las baterías se desconectarán y la unidad de motor ya no operará bajo el poder de la batería. Después de que se ha restaurado la energía eléctrica, las baterías se recargarán en las siguientes 24 horas. En uso normal, las baterías durarán de 1 a 2 años. La batería incluye las instrucciones de cambio. Para obtener máxima vida útil y evitar dañar la batería desconéctela cuando el abre-puerta esté desconectado por un largo período, por ejemplo, en una casa de vacaciones.

**NOTA:** La operación de puertas puede ser limitada hasta que las baterías estén completamente cargadas. Las luces de la unidad de motor no se encenderán durante el modo batería.

## ⚠ ADVERTENCIA

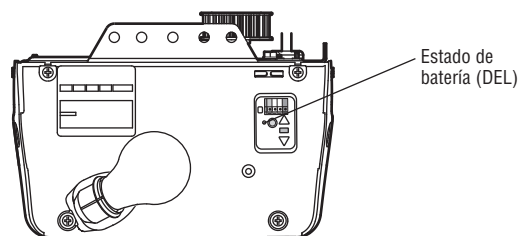
Para reducir el riesgo de INCENDIO o LESIONES a las personas:

- Desconecte TODA la corriente eléctrica y de la batería ANTES de realizar cualquier servicio o mantenimiento.
- Use SOLAMENTE la pieza Craftsman N° 41B822 como batería de repuesto.
- NO arroje la batería al fuego. La batería puede estallar. Compruebe las instrucciones de desecho en los códigos locales.

## PRECAUCIÓN

SIEMPRE uso los guantes protectores y protección ocular cuando cambiar la batería o trabajando cerca el compartimiento de la batería.

Figura 2



### LED DE ESTADO DE BATERÍA

**NOTA:** El indicador DEL es más visible con la luz apagada. Las baterías no deben estar totalmente cargadas para operar el abridor de puerta de cochera.

#### INDICADOR DEL VERDE:

Todos los sistemas están normales.

- La luz sólida de un indicador DEL indica que las baterías están totalmente cargadas.
- Un indicador DEL que parpadea indica que las baterías se están cargando.

#### INDICADOR DEL NARANJA:

El abridor de puerta de cochera ha perdido energía y está operando fuera de la batería.

- Un indicador DEL sólido con bip, que suena aproximadamente cada 2 segundos, indica que la unidad de motor está activando la puerta y está operando fuera de la batería.
- Un indicador DEL que parpadea con bip, que suena cada 30 segundos, indica que las baterías están bajas.

#### LED ROJO:

La batería de 12 V del abridor debe cambiarse.

- El LED rojo con una señal sonora cada 30 segundos indica que la batería de 12 V no acepta carga y debe cambiarse. Pida una batería de repuesto para que el abridor continúe funcionando durante un corte de energía.

## OPERACIÓN

# INSTRUCCIONES IMPORTANTES DE SEGURIDAD

## ADVERTENCIA

### Para reducir el riesgo de LESIONES GRAVES o LA MUERTE:

1. LEA Y SIGA TODAS LAS ADVERTENCIAS Y LAS INSTRUCCIONES DE OPERACIÓN.
2. SIEMPRE conserve los controles remotos fuera del alcance de los niños. NUNCA permita que los niños operen o jueguen con los botones del control de la puerta de la cochera ni con los controles remotos.
3. SÓLO active la puerta de la cochera SIEMPRE y cuando la pueda ver con claridad, esté debidamente ajustada y no haya ninguna obstrucción en el recorrido de la puerta al cerrarse.
4. Tenga SIEMPRE la puerta del garaje a la vista hasta que esté completamente cerrada. NADIE DEBE ATRAVESAR EL RECORRIDO DE LA PUERTA CUANDO ESTÁ EN MOVIMIENTO.
5. NADIE DEBE PASAR POR DEBAJO DE LA PUERTA SI ESTÁ DETENIDA Y PARCIALMENTE ABIERTA.
6. De ser posible, use el desenganche de emergencia para soltar el carro SÓLO cuando la puerta del garaje esté CERRADA. Si los resortes están débiles o rotos, o bien si la puerta está desbalanceada y se abre, podría caerse rápida y/o inesperadamente.
7. NUNCA use la manija de liberación de emergencia a menos que la entrada a la cochera esté libre de obstrucciones y no haya ninguna persona presente.
8. NUNCA use la manija para tirar de la puerta para abrirla o cerrarla. Si el nudo de la cuerda se suelta, usted podría caerse.
9. Después de llevar a cabo cualquier ajuste, se DEBE probar el sistema de reversa de seguridad.
10. El sistema de inversión de seguridad DEBE probarse cada mes. La puerta DEBE invertir el movimiento al entrar en contacto con un objeto de 1-1/2" (3.8 cm) de altura con respecto al piso (un tirante de madera de 2x4 pulgadas apoyado horizontalmente). La regulación incorrecta del abre-puerta incrementa el riesgo de ACCIDENTES LESIVOS e incluso FATALES.
11. MANTENGA SIEMPRE LA PUERTA DEL GARAJE DEBIDAMENTE BALANCEADA (véase la página 3). Si la puerta no está debidamente balanceada es posible que NO retroceda cuando así se requiera y podría ocasionar una LESIÓN ACCIDENTAL GRAVE o INCLUSO LA MUERTE.
12. TODAS las reparaciones necesarias de cables, resortes y otras piezas las DEBE llevar a cabo un técnico especializado en sistemas de puertas, pues TODAS estas piezas están bajo una tensión EXTREMA.
13. Para evitar lesiones personales GRAVES o LA MUERTE por electrocución, desconectar TOTALMENTE la energía eléctrica ANTES de realizar cualquier tipo de mantenimiento.
14. Este sistema tiene una función de activación por estado pasivo. La puerta podría ponerse en movimiento repentinamente. NADIE DEBE ATRAVESAR EL RECORRIDO DE LA PUERTA CUANDO ESTÁ EN MOVIMIENTO.
15. NO activar el temporizador de cierre en puertas de una sola pieza o puertas abisagradas. Usar esta función ÚNICAMENTE con puertas seccionales.
16. **CONSERVE ESTAS INSTRUCCIONES.**

## Funciones

El abridor tiene varias funciones que permiten tener más control sobre su funcionamiento.

### TEMPORIZADOR DE CIERRE

El temporizador de cierre comanda automáticamente el cierre de la puerta después de un período preestablecido que puede regularse con el control. Antes de que la puerta se cierre se escuchará una señal sonora y se verá una alerta visual.

### ASSURELINK™

AssureLink™ genera una señal de 900MHz para establecer comunicaciones entre el abridor y los accesorios AssureLink™. El abridor de puerta de cochera es compatible hasta con ocho accesorios AssureLink™.

### CONTROLES REMOTO Y CONTROLES DE LA PUERTA ASSURELINK™

Viene programado de fábrica para funcionar con el control remoto, que cambia de código cada vez que se usa (puede operar hasta con cien mil millones de código nuevos). El abridor es compatible hasta con ocho controles remotos y una cerradura digital a teclado. Antiguos accesorios Craftsman no son compatibles.

ACCESORIOS	CAPACIDAD DE MEMORIA
Controles remotos	Hasta 8
Controles de la puerta	Hasta 2 AssureLink™ controles de la puerta.
Llave digital	Hasta 1

### THE PROTECTOR SYSTEM® (SENSORES DE INVERSIÓN)

Cuando están correctamente alineado e instalados, los sensores de inversión detectarán toda obstrucción que interrumpa el haz infrarrojo. Si una obstrucción interrumpe el haz infrarrojo mientras la puerta se está cerrando, la puerta se detendrá y regresará a la posición totalmente abierta. Las luces destellarán diez veces. Si los sensores no están instalados o están desalineados, y la puerta se encuentra en posición abierta, la misma no se cerrará con el control remoto. La puerta podrá cerrarse con el botón del control de la puerta o la cerradura digital a teclado. Los sensores de inversión no afectan la apertura de la puerta.

### CONSERVACIÓN DE ENERGÍA

Para ahorrar energía, el abridor entrará a modo pasivo cuando la puerta esté totalmente cerrada. En modo pasivo, el abridor permanece apagado hasta que vuelva a activarse. En modo pasivo está en sincronismo con la lámpara del abridor. Al apagarse la lámpara se apagarán los LED de los sensores y cuando la lámpara se enciende, se encienden los sensores. El abridor no pasará al modo pasivo antes de que se hayan realizado cinco ciclos de operación con la unidad.

### LUCES

Las luces del abridor se encenderán cuando el abridor se enchufa inicialmente, después de un corte de energía o al activarse el abridor. Las luces se apagarán automáticamente después de 4 y medio minutos. Puede usarse una lámpara incandescente A19 de hasta 100 W o una lámpara fluorescente de alto rendimiento (CFL) de hasta 26 W (equivalente a 100 W).



## Funciones (continúa)

### USO DEL ABRIDOR DE LA PUERTA DE COCHERA

El abridor puede activarse con un control de la puerta, con un control remoto, con una cerradura digital a teclado o con un accesorio AssureLink™.

Si la puerta se está abriendo y se detecta una interrupción del haz infrarrojo, la misma se detendrá. Con la puerta en cualquier posición que no sea totalmente cerrada, al activarse el abridor, la puerta se cerrará. Si se detecta una interrupción del haz mientras la puerta se está cerrando, la

misma invertirá su dirección de desplazamiento. Cuando los sensores detectan una obstrucción, las luces se encenderán intermitentemente diez veces. La puerta podrá cerrarse con el botón del control de la puerta o la cerradura digital a teclado. Los sensores de inversión no afectan la apertura de la puerta.

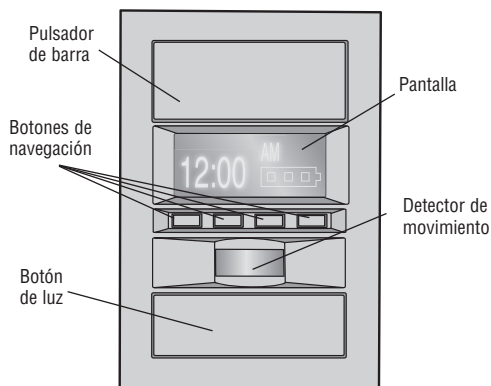
Los sensores de seguridad deben estar instalados y alineados correctamente para que la puerta se mueva hacia abajo.

## Control de la puerta

### SINCRONIZACIÓN DEL CONTROL DE LA PUERTA

Para sincronizar el control de la puerta con el abridor pulsar el control hasta que se active el abridor (podría llevar hasta tres intentos). Cada vez que se pulsa el control de la puerta se activará el mecanismo del abridor.

### CÓMO USAR EL CONTROL DE LA PUERTA



#### Pulsador de barra

Para abrir o cerrar la puerta utilizar el pulsador de barra.

#### Botón de luz

Pulsar el botón de luz (LIGHT) para encender las luces del abridor. Las luces continuarán encendidas hasta que se vuelva a pulsar el botón de luz o hasta que se active el abridor. Después de activarse el abridor, las luces permanecerán encendidas el tiempo programado de fábrica, que es 4 y medio minutos). Con la puerta en movimiento, el botón de luz no controlará las luces. Con el control también puede regularse el tiempo que las luces permanecen encendidas.

#### Botones de navegación

Usar los botones de navegación para seleccionar y programar funciones.

#### Pantalla

En pantalla se mostrará la hora y la temperatura hasta que se pulse el botón de menú para visualizar las opciones. Si hubiera algún problema con el abridor, la pantalla mostrará el código de diagnóstico. Consultar la sección de Diagnóstico de fallas

**En la pantalla del panel de control inteligente puede accederse a las siguientes funciones con los botones de navegación:**

#### DETECTAR DISPOSITIVO

Todo control remoto, cerradura digital a teclado o accesorio AssureLink™ compatible puede programarse para interactuar con el abridor mediante el menú de programación y los botones de navegación del panel de control inteligente.

#### Bloqueo

La función de bloqueo (LOCK) impide la activación del abridor con un control remoto, pero el control de la puerta y el teclado digital de apertura continúan funcionando normalmente. Esto es útil como medida extra de seguridad cuando no hay nadie en la casa (por ejemplo, durante vacaciones).

#### Temporizador de cierre

NO activar el temporizador de cierre con puertas enterizas (de una sola pieza). Esta función puede utilizarse ÚNICAMENTE con puertas seccionales.

Esta función viene desactivada de fábrica. Se utiliza para cerrar automáticamente la puerta después de cierto tiempo, desde la posición totalmente abierta (en intervalos de 1, 5 o 10 minutos). El panel de control inteligente también permite programar tiempos de hasta 99 minutos. Antes de que se cierre la puerta, el abridor emitirá un sonido de advertencia y las luces se encenderán intermitentemente. El control de la puerta indicará el estado de la función de temporizador de cierre, tal como cerrada, pausa o error. Si se encontrara una obstrucción al cerrar, el abridor hará un segundo intento de cierre. Si la obstrucción continuara después del segundo intento, la puerta se abrirá totalmente y NO volverá a cerrar hasta que se elimine la obstrucción. Esta función NO se activará si el abridor está funcionando con batería o los sensores de seguridad no están alineados correctamente. Esta función NO debe ser el método principal para cerrar la puerta del garaje. **Si se usa esta función es conveniente instalar un teclado digital de acceso para el caso de que el usuario quede accidentalmente del lado de afuera después de que se haya cerrado la puerta.**

### AUTOMATIZACIÓN DE LUCES

#### Detector de movimiento

Esta función viene activada de fábrica. El detector de movimiento comandará automáticamente el encendido de las luces del abridor. Se encenderán durante el período programado y luego se apagarán.

Si se desea usar la luz del abridor permanentemente es necesario desactivar la función automática para evitar que se apague cuando usted quede fuera del alcance del sensor de movimiento.

#### CARACTERÍSTICA DE LA LUZ

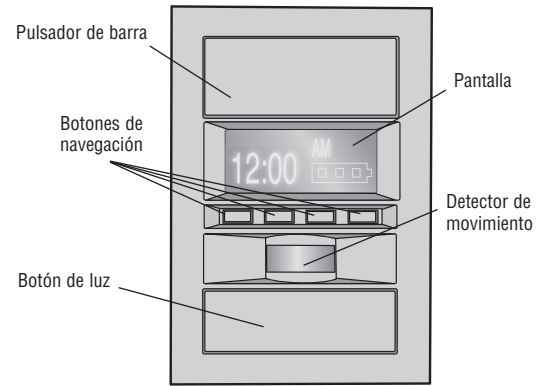
Las luces se encenderán si alguien entra por la puerta del garaje y se interrumpe el haz infrarrojo de los sensores de seguridad.

## Configuración de la Smart Control Panel®

### PANTALLA Y NAVEGACIÓN DE MENÚS

En la pantalla principal se muestra la hora y temperatura, y si se usa una batería, su estado de carga.

Las funciones del control pueden programarse a través de los menús y botones de navegación. Véanse las siguientes descripciones.



### FUNCIONES

Pulsar el botón de navegación debajo de "MENU" para ver el menú de funciones.

**Reloj:** Puesta en hora, formato de 12 o 24 horas y opción de mostrar/ocultar el reloj.

**Calibración del temporizador de cierre (Sólo para puertas seccionales):** Activar o desactivar la función de temporizador de cierre y el tiempo de espera hasta el cierre. **NOTA:** NO activar el temporizador de cierre con puertas enterizas (de una sola pieza). Esta función puede utilizarse ÚNICAMENTE con puertas seccionales.

**Bloqueo:** Activar o desactivar el bloqueo de control remoto.

**Programación:** Para integrar otro control remoto, dispositivos AssureLink™, programar otro botón para las luces, o integrar un teclado digital inalámbrico de acceso.

### CALIBRACIONES

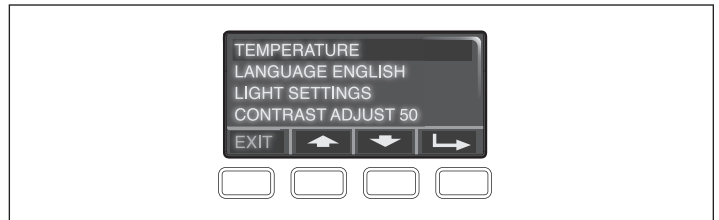
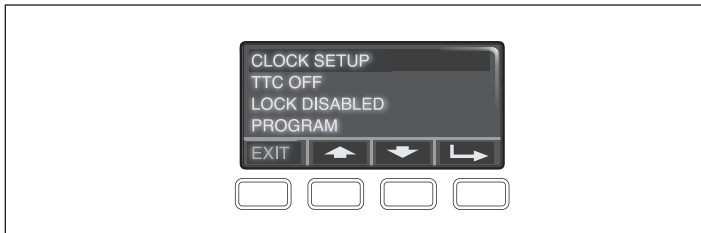
Para ver el menú de Parámetros, pulsar el botón bajo la flecha descendente hasta ver TEMPERATURA.

**Temperatura:** Para mostrar la temperatura en grados Fahrenheit o Celsius, y mostrar u ocultar la indicación de temperatura.

**Idioma:** Para elegir un idioma: inglés, francés, español.

**Luces:** Para programar la duración del encendido de las luces después de activar el abridor. Programable de 1,5 a 4,5 minutos. Activa o desactiva el detector de movimiento y la activación del encendido de luces al ingresar al garaje.

**CONTRASTE:** Para regular el contraste de la pantalla.



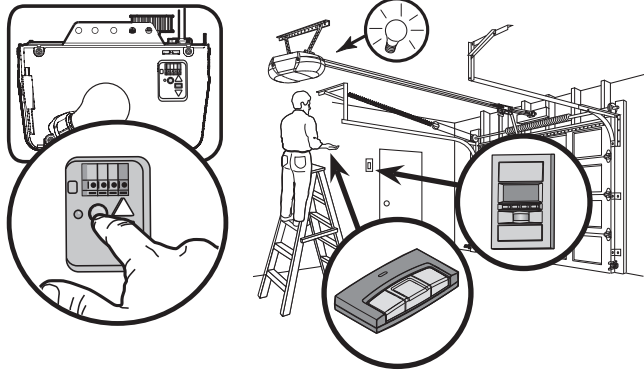
Véase la página 35 para programar un control remoto o teclado digital con un control de la puerta.

## Programación

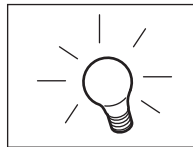
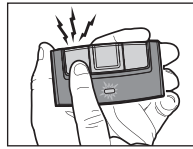
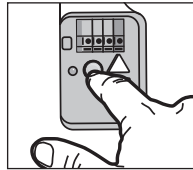
Su abridor de puerta de cochera ya viene programado de fábrica para operar con su control remoto. Los accesorios más antiguos Craftsman® NO son compatibles, véanse los accesorios compatibles bajo el título "Accesorios" en la página 41. La programación puede realizarse con el control de la puerta o el botón Learn del abre-puerta. Para programar otros controles remotos consultar las instrucciones que vengan con dichos controles.

**NOTA IMPORTANTE:** Si su vehículo está equipado con un Homelink® podría ser necesario un adaptador externo, según la marca, el modelo y el año del vehículo. En [www.homelink.com](http://www.homelink.com) hay más información.

### CÓMO AGREGAR UN CONTROL REMOTO USAR EL BOTÓN LEARN (APRENDER)

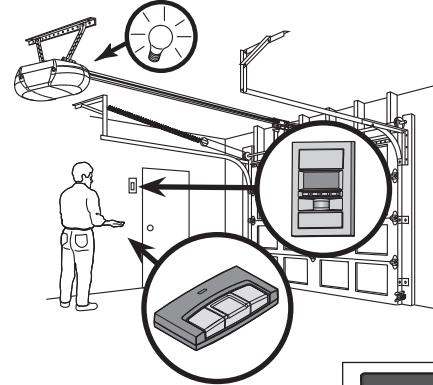


1. Oprima y suelte el botón "Aprender" de la unidad del motor. La DEL de este botón estará encendida por 30 segundos.
2. En los 30 segundos, oprima y mantenga oprimido el botón del control remoto manual\* que desee usar para su puerta de cochera.
3. Suelte el botón cuando las luces de la unidad del motor empiecen a parpadear. Ya aprendió el código. Si no se han puesto bombillos, se escucharán dos chasquidos.

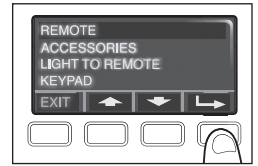
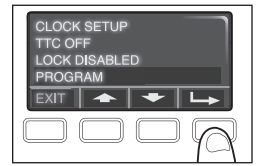
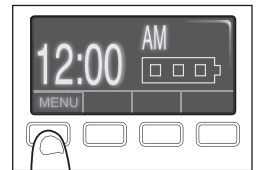


Al cambiar la tapa de las luces verificar que el conductor de antena quede colgando hacia abajo.

### CÓMO AGREGAR, REPROGRAMAR O CAMBIAR CONTROL REMOTO/ UN CÓDIGO DE ENTRADA SIN LLAVE USAR LA SMART CONTROL PANEL

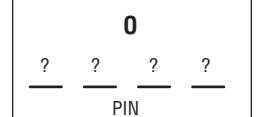
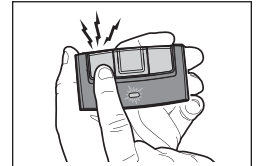


1. Pulsar el botón de navegación debajo de "MENU" para ver el menú de funciones.
2. Buscar con los botones de navegación la función "PROGRAM" y pulsar el botón bajo para continuar.
3. Seleccionar "REMOTE" o "KEYPAD" para programar desde el menú de programación. Pulsar para continuar.
4. Oprimir el botón del control remoto con el cual desea comandar la puerta.



**0**

Escribir un número de cuatro dígitos (PIN) como código personal de uso del teclado digital de acceso. Pulsar el botón ENTER.



### Para borrar la memoria

#### BORRAR TODOS LOS DATOS DE CONTROL REMOTO Y CERRADURA DIGITAL A TECLADO

1. Mantener oprimido el botón de aprendizaje en el abridor hasta que se apague el LED (aproximadamente 6 segundos). Se borrarán todos los datos almacenados en el control remoto y en la cerradura digital. Volver a programar todo accesorio que desea usar.

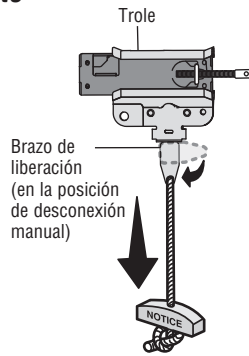
#### BORRAR TODOS LOS DISPOSITIVOS (INCLUYENDO LOS ACCESORIOS ASSURELINK™)

1. Mantener oprimido el botón de aprendizaje en el abridor hasta que se apague el LED (aproximadamente 6 segundos).
2. Inmediatamente pulsar el botón de aprendizaje hasta que el LED se apague. Ahora todos los códigos estarán borrados. Volver a programar todo accesorio que desea usar.

## Cómo abrir la puerta manualmente

### CÓMO DESCONECTAR EL TROLE:

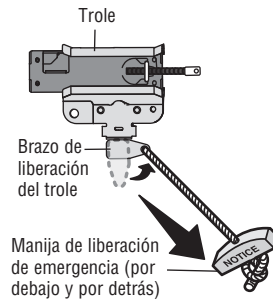
La puerta debe estar completamente cerrada si es posible. Tire de la manija de liberación de emergencia (de manera que el brazo de liberación del trole quede en una posición vertical) y levante la puerta manualmente. La función de seguro evita que el trole se vuelva a conectar automáticamente, y la puerta pueda subirse y bajarse manualmente con la frecuencia que sea necesaria.



Posición con el seguro (desconexión manual)

### CÓMO RECONECTAR EL TROLE:

Tire de la manija de liberación de emergencia hacia el abridor en un ángulo que el brazo de liberación del trole quede horizontal. El trole se reconecta en la siguiente operación HACIA ARRIBA o HACIA ABAJO, ya sea manual o mediante el uso del control de la puerta o del control remoto.



Para reconectar

## Mantenimiento de su abridor de puerta de cochera

### CALENDARIO DE MANTENIMIENTO

#### Una vez al mes

- Haga funcionar la puerta manualmente. Si está desbalanceada o se pandea, llame a un técnico especializado en sistemas de puertas.
- Revise para cerciorarse de que la puerta se abra y se cierre completamente. Ajuste los límites de ser necesario (vea Ajustes).
- Repita la prueba de la retroceso de seguridad. Haga los ajustes necesarios (vea Ajustes).

#### Una vez al año

- Ponga aceite en los rodillos, los cojinetes y las bisagras de la puerta. El abridor no necesita lubricación adicional. No lubrique los carriles de la puerta.
- Pruebe la batería y decida si debe cambiarla para asegurarse de que le abre-puerta funcione en caso de corte de energía. En la página 31 se indica el procedimiento de prueba de la batería de reserva.

## La batería del control remoto

### ! ADVERTENCIA

Para evitar la posibilidad de LESIONES GRAVES o INCLUSO LA MUERTE:

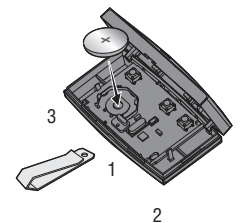
- NUNCA permita que los niños pequeños estén cerca de las baterías.
  - Si alguien se traga una batería, llame al médico de inmediato.
- Para reducir el riesgo de incendio, explosión o combustión química:
- Reemplace ÚNICAMENTE con baterías planas 3V2032.
  - NO recargue, desarme, caliente por encima de 212° F (100° C) o incinere.

La batería de litio puede durar hasta 3 años.

Para cambiar la batería, use el broche del visera o un destornillador para abrir la tapa, tal como se indica en la ilustración. Coloque la batería con el lado positivo hacia arriba (+).

Reemplace las pilas solamente por pilas de botón 3V2032. Elimine las baterías usadas en forma adecuada.

Con el gancho del control ábralo primero en el medio (1) y después de cada lado (2 y 3).



ADVERTENCIA: La modificación de este transmisor está prohibida por la FCC y/o las normas canadienses IC. NO HAY COMPONENTES QUE NECESITEN INTERVENCIÓN DEL USUARIO. Todo cambio o toda modificación no expresamente aprobada por la parte responsable del cumplimiento podría anular el derecho de usar el equipo.

Este dispositivo cumple con la Parte 15 de las normas de la FCC y de las normas canadienses IC RSS-210. El uso está condicionado a lo siguiente: (1) Este dispositivo no debe causar interferencia y (2) este dispositivo debe ser apto para recibir interferencia, aunque la misma pueda afectar su funcionamiento.

Este aparato digital de la clase B cumple con ICES-003 de Canadá.

## DIAGNÓSTICO DE PROBLEMAS

### TABLA DE DIAGNÓSTICO

Su abridor de puerta de cochera viene programado con funciones de autodiagnóstico. Las flechas hacia ARRIBA y ABAJO se encienden para mostrar los códigos de diagnóstico.

FLECHA HACIA ARRIBA	FLECHA HACIA ABAJO	SÍNTOMA	SOLUCIÓN
1	1	El abridor no se cierra y las luces destellan.	Los sensores de seguridad no están instalados, no están conectados o los cables están cortados. Inspeccione los cables de los sensores para ver si están desconectados o cortados.
1	2	El abridor no se cierra y las luces destellan.	Hay un cortocircuito o cable invertido en los sensores de seguridad. Inspeccione los cables de los sensores en todos los puntos de fijación y conexión. Cambie los cables o corrijalos según sea necesario.
1	3	El control de la puerta no funciona.	Los cables del control de la puerta están cortocircuitados o el control de la puerta es defectuoso. Inspeccione los cables del control de la puerta en todos los puntos de fijación y conexión. Cambie los cables o corrijalos según sea necesario.
1	4	El abridor no se cierra y las luces destellan.	Los sensores de seguridad están desalineados o temporalmente obstruidos. Alinee ambos sensores para asegurarse de que los LED queden encendidos sin fluctuar. Verifique que no haya ningún objeto en la puerta que interrumpa el haz de los sensores al cerrarse.
1	5	La puerta se mueve 6 u 8 pulgadas, se detiene o invierte el sentido.	Abra y cierre la puerta manualmente. Verifique que no haya atascos u obstrucciones, como un resorte o un cierre de puerta rotos, corrija según sea necesario. Inspeccione los cables eléctricos en el módulo de desplazamiento y en la tarjeta lógica. Cambie el módulo si es necesario.
		No hay movimiento. Se oye simplemente un clic.	Abra y cierre la puerta manualmente. Verifique que no haya atascos u obstrucciones, como un resorte o un cierre de puerta rotos, corrija según sea necesario. Cambie la tarjeta lógica si es necesario.
		El abridor produce un zumbido durante 1 o 2 segundos, pero no se mueve.	Abra y cierre la puerta manualmente. Verifique que no haya atascos u obstrucciones, como un resorte o un cierre de puerta rotos, corrija según sea necesario. Cambie el motor si es necesario.
1	6	La puerta continúa por inercia después de detenerse.	Programe el desplazamiento a la posición de inercia o llame a un técnico profesional para que equilibre la puerta.
2	1-5	No hay movimiento ni ruido.	Cambie la tarjeta lógica.
3	2	Los límites no pueden programarse ni conservarse.	Revise el módulo de desplazamiento y cámbielo si es necesario.

## DIAGNÓSTICO DE PROBLEMAS

FLECHA HACIA ARRIBA	FLECHA HACIA ABAJO	SÍNTOMA	SOLUCIÓN
4	1-4	La puerta se mueve, se detiene o invierte el sentido.	Abra y cierre la puerta manualmente. Verifique que no haya obstrucciones, que los resortes estén en buen estado o la traba no esté cerrada. Si la puerta se atasca, llame a un técnico profesional. Si la puerta no se atasca, programe los límites de desplazamiento nuevamente (vea la página 28).
4	5	El abridor se mueve 15 a 20 cm (6 pulg. a 8 pulg.), se detiene o invierte el sentido.	Error de comunicaciones con el módulo de desplazamiento. Verifique las conexiones del módulo y cámbielo si es necesario.
4	6	El abridor no cierra y las luces destellan.	Los sensores de seguridad están desalineados o temporalmente obstruidos. Alinee los sensores de ambos LED queden encendidos sin fluctuar. Verifique que no haya ningún objeto en la puerta que interrumpa el haz de los sensores al cerrarse.

Otros problemas que no aparecerán identificados en los códigos de diagnóstico:

### El abridor emite un sonido cada 30 segundos:

- Está funcionando con batería o la batería de 12 VCC debe cambiarse. Véase la página 31.
- Una alerta visual y sonora de que una puerta se está cerrando automáticamente con un monitor de puerta, AssureLink™ Internet Gateway o temporizador de cierre (TTC). Vea página 33.

### El control remoto no activa la puerta:

- Verificar que la función de Bloqueo no esté activada.
- Volver a programar el control remoto.
- Si aún así el control remoto no funcionara, verificar los códigos de diagnóstico para comprobar que la puerta esté funcionando correctamente.
- Verificar que ambos cables de la antena estén hacia abajo en el abridor.

### Las luces no se apagan cuando la puerta está abierta:

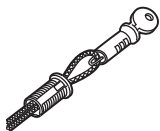
El abridor tiene una función que enciende las luces cuando los sensores de seguridad indican una obstrucción o cuando el sensor de movimiento del control de la puerta detecta movimiento en el garaje. Estas funciones pueden desactivarse con el control. Consultar la sección Control de la puerta.

### Mi puerta puede abrirse con el control remoto de mi vecino:

Borre la memoria de su abridor y vuelva a programar el control remoto.

## ACCESORIOS

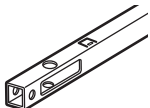
139.53702



### Liberador de la llave de emergencia:

Se requiere en las cocheras que NO tienen puerta de acceso. Permite al dueño de la casa abrir la puerta de la cochera manualmente desde el exterior, desconectando el trole.

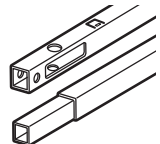
139.53728



### Extensión del riel de 2.4 m (8 pies):

Permite que una puerta de 2.4 m (8 pies) se abra completamente.

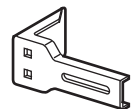
139.53729



### Extensión del riel de 3 m (10 pies):

Permite que una puerta de 3 m (10 pies) se abra completamente.

041A5281-1

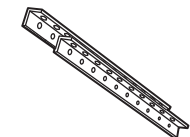


### Ménsulas de extensión:

**(Sólo están disponibles a través de Refacciones y Servicio Sears)**

(Opcionales) Para la instalación del sensor de seguridad en la pared o en el piso.

139.53589



### Ménsulas de soporte:

Para cielos rasos sin acabados o en los casos en que se necesite soporte adicional, basado en la construcción de la cochera. Incluye las ménsulas y los sujetadores.

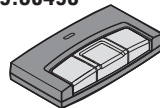
41A7665



### AssureLink™ Internet Gateway:

Accesorio para conexión a computadora e Internet que permite monitorear y controlar abre-puertas de garaje y artefactos de iluminación con tecnología AssureLink™.

139.30498



### Control remoto:

Compatible con todos los modelos Craftsman desde 1993 hasta el presente. Con broche para visera.

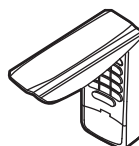
139.30499



### Control remoto de llavero:

Compatible con todos los modelos Craftsman desde 1993 hasta el presente. Con llavero.

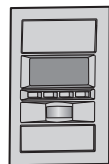
139.3050



### Teclado inalámbrico:

Utilizado del lado de afuera para facilitar el ingreso al garaje con un código de 4 dígitos. Compatible con TODOS los modelos Craftsman desde 1993 hasta el presente.

41A7563



### Smart Control Panel:

Muestra la temperatura, la hora y diagnóstico del sistema, tiene un pulsador para abrir y cerrar la puerta y una función de bloqueo como medida de seguridad.

139.21255



### Control de luz enchufable:

Controla automáticamente las luces a través del abridor de la puerta de garaje, de un control remoto AssureLink™ o de un Craftsman Internet Gateway. Enchufe en cada toma de corriente interior.

## GARANTÍA

### GARANTÍA DE CRAFTSMAN

#### GARANTÍA LIMITADA DE SERVICIO EN EL DOMICILIO DE 90 DÍAS

El presente producto está garantizado contra defectos de material o mano de obra DURANTE 90 DÍAS a partir de la fecha de venta. Un producto defectuoso será reparado sin cargo alguno presentando el justificante de compra.

#### GARANTÍA LIMITADA DE REPUESTOS

El presente producto está garantizado contra piezas defectuosas DESDE EL DÍA 91 HASTA 3 AÑOS a partir de la fecha de venta. Se proporcionará un repuesto nuevo para reemplazar la pieza defectuosa sin cargo alguno presentando el justificante de compra. Se excluyen cualesquiera costos de instalación profesional.

#### GARANTÍA LIMITADA DEL MOTOR

EL motor de este producto está garantizado contra defectos de material o mano de obra DESDE EL DÍA 91 HASTA 10 AÑOS a partir de la fecha de venta. Se proporcionará un motor nuevo para reemplazar el defectuoso sin cargo alguno presentando el justificante de compra. Se excluyen cualesquiera costos de instalación profesional.

#### SERVICIO DE GARANTÍA

Visite la página Web [www.craftsman.com/warranty](http://www.craftsman.com/warranty) para consultar detalles de la cobertura de garantía para reparación de productos o piezas de repuesto.

#### RESTRICCIÓN APLICABLE A LA GARANTÍA

Esta Garantía Limitada para Dispositivo de Apertura de Puerta de Garaje de Craftsman no cubre bombillas, que son componentes fungibles, o piezas de repuesto necesarias debido a uso indebido o negligencia del operario, incluyendo falta de instalación, ajuste y operación de este dispositivo de apertura de puerta de garaje conforme a las instrucciones contenidas en el manual de instalación. La presente garantía limitada tampoco cubre ningún problema causado por interferencias.

#### LIMITACIÓN DE LA RESPONSABILIDAD

El vendedor no será responsable de pérdidas o daños materiales, o pérdidas o gastos resultantes de daños materiales relacionados directa o indirectamente con el uso de este producto. Algunos estados no permiten la exclusión o limitación de daños incidentales o emergentes, de manera que puede que la limitación o exclusión anterior no sea aplicable en su caso.

#### DESCARGO DE RESPONSABILIDAD RESPECTO A GARANTÍAS IMPLÍCITAS

Con la excepción del motor, todas las garantías implícitas de este producto, incluyendo sin limitación cualesquiera garantías implícitas de comerciabilidad o idoneidad para un fin particular, están limitadas en cuanto a su duración al período de garantía de 90 días y desde el 91° día hasta 3 años estipulado con anterioridad. Todas las garantías implícitas relacionadas con el motor están limitadas en cuanto a su duración al período de garantía desde el 91° día hasta 10 años estipulado con anterioridad. No habrá ni resultará de aplicación ninguna garantía implícita después de tales períodos. Algunos estados no permiten limitaciones en cuanto a la duración de las garantías implícitas, de manera que puede que las limitaciones anteriores no sean aplicables en su caso.

La presente garantía se aplica exclusivamente mientras este producto se esté usando en Estados Unidos.

La presente garantía le otorga derechos específicos, y es posible que usted tenga asimismo otros derechos que varían de un estado a otro.

Sears Brands Management Corporation, Hoffman Estates, IL 60179

# Get it fixed, at your home or ours!

## Your Home

For troubleshooting, product manuals and expert advice:



[www.managemylife.com](http://www.managemylife.com)

For repair – **in your home** – of **all** major brand appliances, lawn and garden equipment, or heating and cooling systems, **no matter who made it, no matter who sold it!**

For the replacement parts, accessories and owner's manuals that you need to do-it-yourself.

For Sears professional installation of home appliances and items like garage door openers and water heaters.

**1-800-4-MY-HOME<sup>®</sup>** (1-800-469-4663)

Call anytime, day or night (U.S.A. and Canada)

[www.sears.com](http://www.sears.com)      [www.sears.ca](http://www.sears.ca)

## Our Home

For repair of carry-in items like vacuums, lawn equipment, and electronics, call anytime for the location of your nearest

**Sears Parts & Repair Service Center**

**1-800-488-1222** (U.S.A.)

[www.sears.com](http://www.sears.com)

**1-800-469-4663** (Canada)

[www.sears.ca](http://www.sears.ca)

To purchase a protection agreement on a product serviced by Sears:

**1-800-827-6655** (U.S.A.)

**1-800-361-6665** (Canada)

Para pedir servicio de reparación a domicilio, y para ordenar piezas:

**1-888-SU-HOGAR<sup>®</sup>**

(1-888-784-6427)

[www.sears.com](http://www.sears.com)

Au Canada pour service en français:

**1-800-LE-FOYER<sup>MC</sup>**

(1-800-533-6937)

[www.sears.ca](http://www.sears.ca)

The Sears logo, consisting of the word "sears" in a lowercase, serif font.

® Registered Trademark / <sup>TM</sup> Trademark of KCD IP, LLC in the United States, or Sears Brands, LLC in other countries

© Marca Registrada / <sup>TM</sup> Marca de Fábrica de KCD IP, LLC en Estados Unidos, o Sears Brands, LLC in otros países

<sup>MC</sup> Marque de commerce / <sup>MD</sup> Marque déposée de Sears Brands, LLC