



# ASSURELINK™ GARAGE DOOR OPENER SMARTPHONE CONTROL KIT MODEL 139.53999

## APPLICATION

This kit includes the Assurelink™ Control Panel model 41a7928-1 and the Assurelink™ Internet Gateway model 41A7665. The control panel is intended to be installed with Craftsman® Security+™ Garage Door Openers manufactured between 1998 and present. The Assurelink™ Control Panel is NOT compatible with Security+ 2.0™ Garage Door Openers. DO NOT install this door control on garage door opener systems controlling one-piece or swing doors.

## OVERVIEW

The Assurelink™ Control Panel offers a quick and convenient way to add Assurelink™ technology to your existing garage door opener. Assurelink™ technology uses a 900MHz signal to provide two-way communication between the garage door opener and Assurelink™ enabled accessories. When programmed to the Assurelink™ Internet Gateway you can monitor and control your garage door from any internet enabled computer or smartphone. You may program up to 12 Assurelink™ remote controls, 2 Assurelink™ keyless entries and a combination of 16 Assurelink™ accessories to the Assurelink™ control panel. For full compatibility, see page 4.

## INSTALL THE ASSURELINK™ CONTROL PANEL

Install the control panel in place of the existing door control. Due to power consumption the control panel cannot be used in conjunction with another wired door control connected to your garage door opener. If an additional door control is needed, the **wireless door control model 41A7773-1** can be programmed to the control panel. To program the 41A7773-1 to the control panel, follow the remote control programming steps. When in battery back-up mode, any feature using unattended operation such as Timer-to-Close, closure from a garage door and gate monitor or remote operation utilizing the Assurelink™ Internet Gateway will be disabled.

1. Disconnect all electrical and battery power (if applicable) to the garage door opener.
2. Remove the existing door control from the wall.
3. Note the polarity of the wires connected to the existing door control.
  - Label the wire connected to the RED terminal.
  - Label the wire connected to the WHITE terminal.

Disconnect the wires from the existing door control.

4. Connect the wires to the new control panel. Make sure the polarity is correct.
  - Red wire to the R terminal.
  - White wire to the W terminal.
5. Mount the control panel to the wall.
6. Reconnect power. The yellow command LED and the red learn LED will blink quickly for up to 5 minutes as the control panel recharges. When the control panel is operational, the yellow command LED will glow steadily.
7. To test the control panel, press the push bar to activate the garage door opener.

## TROUBLESHOOTING

- If the yellow command LED does not turn on, reverse the wires connected to the R and W terminals of the control panel. Replace wire if necessary.
- If yellow and red LEDs are blinking slowly, the control panel is not compatible with your garage door opener.
- If the yellow and red LEDs are blinking quickly, the control panel is charging, and may take up to 5 minutes to become operational.

## ⚠️ WARNING

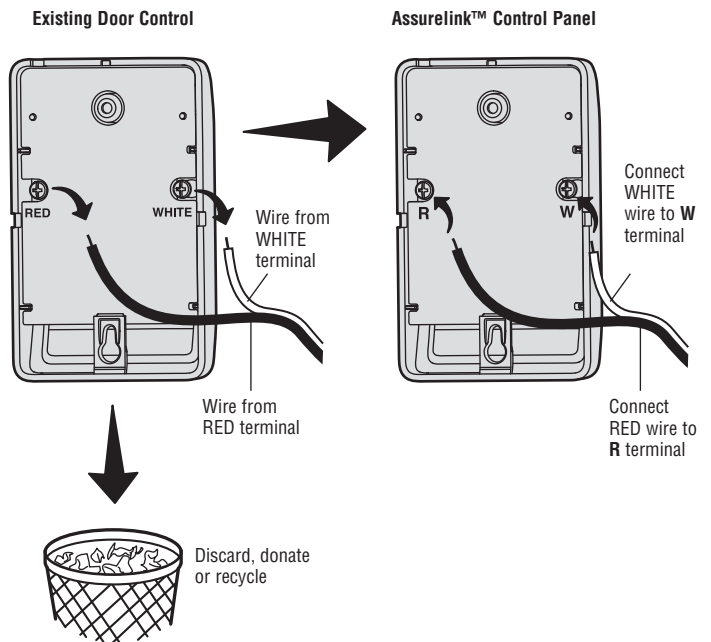
To prevent possible SERIOUS INJURY or DEATH from electrocution:

- Be sure power is NOT connected BEFORE installing door control.
- Connect ONLY to 7-28 VOLT low voltage wires.

To prevent possible SERIOUS INJURY or DEATH from a closing garage door:

- Install door control within sight of garage door, out of reach of children at a minimum height of 5 feet (1.5 m), and away from ALL moving parts of door.
- NEVER permit children to operate or play with door control push buttons or remote control transmitters.
- Activate door ONLY when it can be seen clearly, is properly adjusted, and there are no obstructions to door travel.
- ALWAYS keep garage door in sight until completely closed. NEVER permit anyone to cross path of closing garage door.
- DO NOT install this door control on garage door opener systems controlling one-piece or swing doors.

To provide an adequate visual alert, the garage door opener light bulb(s) MUST be a minimum of 40 Watt (or equivalent).



# INSTALL THE ASSURELINK™ INTERNET GATEWAY

The Assurelink™ Internet Gateway allows you to control your garage door opener from your internet connected computer or smart phone. The Assurelink™ Control Panel has been programmed at the factory to the Assurelink™ Internet Gateway.

## 1 CONNECT THE ASSURELINK™ INTERNET GATEWAY

- 1.1 Connect the Assurelink™ Internet Gateway to a router with the ethernet cable. If you only have access to a Wi-Fi signal and not a router, you must use a wireless ethernet adapter (not provided) to connect to the internet.
- 1.2 Connect power to the Assurelink™ Internet Gateway. The blue and green LEDs will blink momentarily and then the blue and green LEDs will light solid.

## 2 CREATE AN ACCOUNT

From your computer, go to [www.craftsman.com/assurelink](http://www.craftsman.com/assurelink) and follow the instructions to create an account. Use a computer for this step; you cannot create an account from a mobile device.

## 3 REGISTER THE ASSURELINK™ INTERNET GATEWAY

Locate the serial number on the bottom of the Assurelink™ Internet Gateway. Register the Assurelink™ Internet Gateway with the serial number. Your garage door opener will appear in the "Places" section of your account when registration is complete. If the garage door opener does not appear, follow step 4 below.

## 4 PROGRAM THE ASSURELINK™ CONTROL PANEL TO THE ASSURELINK™ INTERNET GATEWAY

- 4.1 Click on "Manage Places>Add New Device>Garage Door Opener" and follow the directions.
- 4.2 Once you click ADD you have 3 minutes to press the LEARN button two times on the control panel. The red learn LED will turn on.
- 4.3 The red learn LED will turn off when programming is complete. The blue LED on the Assurelink™ Internet Gateway will light to indicate that a device has been programmed. Once the control panel is programmed, it will appear on your screen and you can then name the device (e.g., My Control Panel, etc.).
- 4.4 Click SAVE.

The control panel has now been programmed to the internet gateway and the garage door can now be controlled from a computer or smartphone. Follow the same steps to add other Assurelink™ devices.

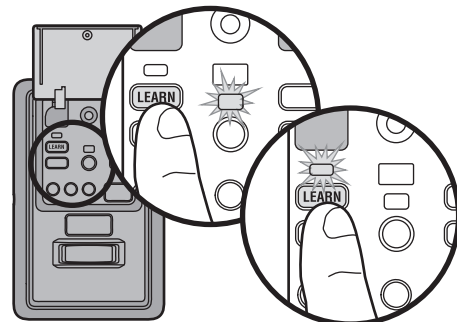
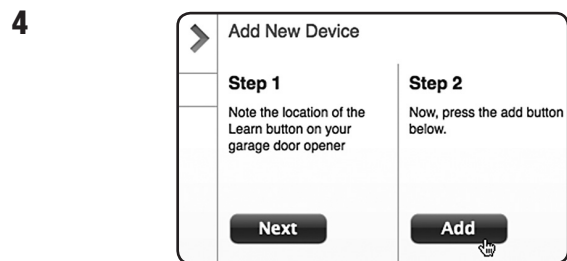
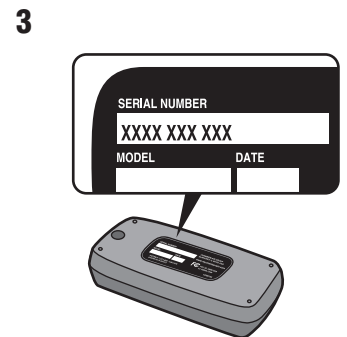
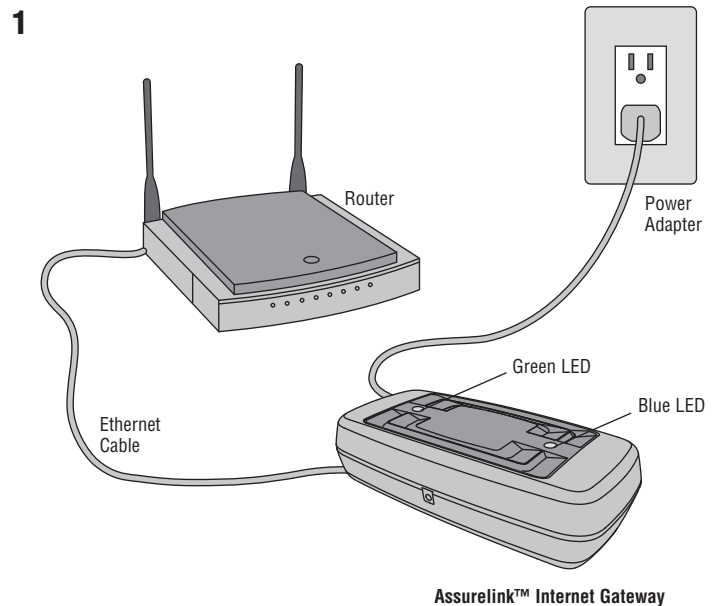
## DOWNLOAD THE SMARTPHONE APP

Visit the app store for your smartphone to download the Assurelink™ app. With the app you can monitor and control your garage door opener and Assurelink™ devices. You can also add or remove other Assurelink™ accessories.

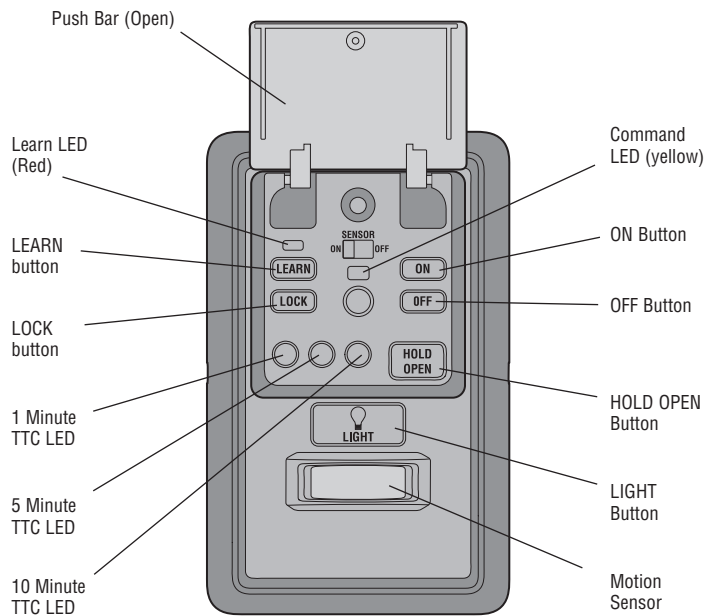
## TROUBLESHOOTING

After power up, the LED lights will show the status of the Assurelink™ Internet Gateway.

- **GREEN On Solid** – The Assurelink™ Internet Gateway has an IP address and is connected to the Internet.
- **GREEN flashing steadily On & Off** – The Assurelink™ Internet Gateway has an IP address, but is not accessing the internet. Check your router settings and internet connections.
- **GREEN Off** – The router is not providing an IP address to the Assurelink™ Internet Gateway. Check your router settings and internet connections.



## FUNCTIONS



### PUSH BAR

Press the push bar to open/close the door.

### LIGHTS

Press the LIGHT button to turn the garage door opener lights on or off. When the lights are turned on they will stay on until the LIGHT button is pressed again, or until the garage door opener is activated. Once the garage door opener is activated the lights will turn off after the specified period of time (the factory setting is 4-1/2 minutes). The LIGHT button will not control the lights when the door is in motion.

To change the amount of time the garage door opener lights will stay on: Press and hold the LOCK button until the garage door opener lights flash. The time interval is indicated by the number of flashes.

NUMBER OF TIMES GARAGE DOOR OPENER LIGHTS FLASH	1	2	3	4
TIME THE GARAGE DOOR OPENER LIGHT STAYS ON	1 ½ Minutes	2 ½ Minutes	3 ½ Minutes	4 ½ Minutes

### Light Feature

The lights will turn on when someone enters through the open garage door and the safety reversing sensor infrared beam is broken.

#### Activate:

Start with the garage door opener lights on. Press and hold the LIGHT button until the garage door opener lights turn off, then on again.\*

#### Deactivate:

Press and hold the LIGHT button until the garage door opener lights turn on, then off again.\*

\* Approximately 10 seconds

### MOTION SENSOR

This feature will automatically turn on the garage door opener lights when motion is sensed. The lights will come on for the set period of time, then shut off.

#### Activate/Deactivate:

Slide the motion sensor switch ON or OFF.

### TIMER-TO-CLOSE (TTC)

**NOTE:** DO NOT install this door control on garage door opener systems controlling one-piece or swing doors.

The TTC feature automatically closes the door after a specified time period (1, 5, or 10 minutes). Once the TTC has been set and the door is open, the LED for the selected close interval will blink and begin to count down to close the door. The control panel will beep and the garage door opener lights will flash before closing the door.

The TTC feature will deactivate if the garage door encounters an obstruction twice; or the safety reversing sensors are incorrectly installed. The garage door will reverse open and WILL NOT close until the obstructions are clear or the safety reversing sensors are correctly installed. When the obstruction has been cleared or the safety reversing sensors have been aligned, the door will close when the garage door opener is activated.

#### Activate:

Press and hold the ON button until one of the TTC LEDs light up. Then press the ON button again to cycle through the time interval options (the corresponding TTC LED will light for each time interval). The garage door opener light bulbs will blink as confirmation.

#### Deactivate:

Press and hold the OFF button until all TTC LEDs turn off and a beep is heard from the control panel.

#### Temporarily hold door open (suspend TTC):

Press and release the HOLD OPEN button. The HOLD OPEN button will begin to flash. Press the HOLD OPEN button again to resume normal TTC operation.

### LOCK

#### Activate\*:

Press and hold the LOCK button for 2 seconds. The command LED will flash as long as the lock feature is activated and your handheld remote control will not operate your door at this time.

#### Deactivate:

Press and hold the LOCK button again for 2 seconds. The command LED will stop flashing and normal operation will resume.

\* Your Assurelink™ keypad will continue to work when LOCK has been activated.

### ERASE DEVICES FROM MEMORY

#### Erase all remote controls and keyless entries:

1. Press and hold the LEARN button on the control panel until the red learn LED goes out (approximately 6 seconds). All remote control and keyless entry codes are now erased. Reprogram any compatible accessory you wish to use.

**NOTE:** Erasing remote controls and keyless entries from the control panel does not erase them from the garage door opener, you need to erase the memory of the garage door opener separately.

#### Erase all devices (including Assurelink™ enabled accessories):

1. Press and hold the LEARN button on the control panel until the red learn LED goes out (approximately 6 seconds).
2. Immediately press and hold the LEARN button again until the red learn LED goes out. All codes are now erased. Reprogram any compatible accessory you wish to use.

# PROGRAMMING

A variety of accessories (available separately) can be programmed to the Assurelink™ Control Panel.

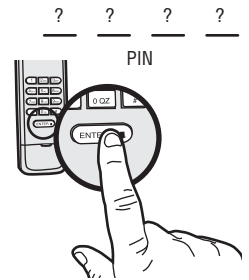
## REMOTE CONTROL



1. Press the control panel LEARN button twice, the red learn LED will turn on.
2. Press the button on the remote control that you wish to operate your garage door.
3. The garage door opener lights will flash (or two clicks will be heard) when the code has been programmed.

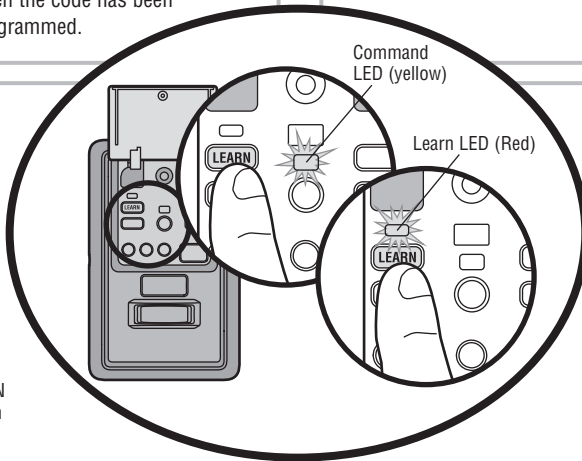
## KEYLESS ENTRY

1. Press the control panel LEARN button twice, the red learn LED will turn on.
2. Enter a 4-digit personal identification number (PIN) of your choice on the keyless entry keypad. Then press the ENTER button.
3. The garage door opener lights will flash (or two clicks will be heard) when the code has been programmed.

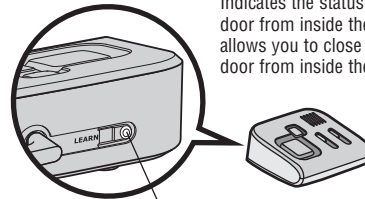


## ASSURELINK™ ENABLED ACCESSORIES

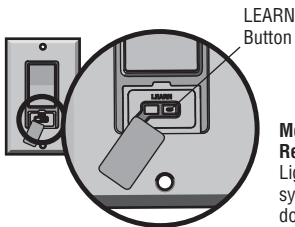
1. Press the control panel LEARN button twice, the red learn LED will turn on.
2. Press the LEARN button on the Assurelink™ device.\*



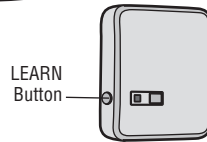
**Model 139.21242  
Garage Door and Gate Monitor**  
Indicates the status of your garage door from inside the home and allows you to close an open garage door from inside the house.



LEARN Button



**Model 139.34321  
Remote Light Switch**  
Light module can be synchronized with the garage door opener light bulbs.



LEARN Button

**Model 139.21255  
Remote Light Control**  
Light module can be synchronized with the garage door opener light bulbs.

*\*Assurelink™ accessories may be programmed to the Assurelink™ Internet Gateway or the Assurelink™ control panel. For instructions on programming to the internet gateway refer to the manual.*

## COMPATIBLE ASSURELINK™ ACCESSORIES

Model 139.30499  
3-Button Remote Control

Model 139.30498  
3-Button Mini Remote Control

Model 41A7633  
3-Button Remote Control

Model 139.3050  
Wireless Keyless Entry

Model 41A6147-10  
Wireless Keyless Entry

Model 139.34321  
Remote Light Switch

Model 139.21255  
Remote Light Control

Model 139.21242  
Garage Door and Gate Monitor

Model 41A7665  
Assurelink™ Internet Gateway

FOR SERVICE DIAL OUR TOLL FREE NUMBER:

**1-800-4-MY-HOME® (1-800-469-4663)**

**www.sears.com**

NOTICE: To comply with FCC and/or Industry Canada (IC) rules, adjustment or modifications of this transceiver are prohibited. THERE ARE NO USER SERVICEABLE PARTS. Any changes or modifications not expressly approved by the party responsible for compliance could void the user's authority to operate the equipment.

This device complies with Part 15 of the FCC rules and IC RSS-210. Operation is subject to the following two conditions: (1) this device may not cause harmful interference, and (2) this device must accept any interference received, including interference that may cause undesired operation.

This Class B digital apparatus complies with Canadian ICES-003.

AVIS: Les règles de la FCC et/ou d'Industrie Canada (IC) interdisent tout ajustement ou toute modification de ce récepteur. IL N'EXISTE AUCUNE PIÈCE SUSCEPTIBLE D'ÊTRE ENTRETENUE PAR L'UTILISATEUR. Tout changement ou toute modification non expressément approuvé par la partie responsable de la conformité peut avoir pour résultat d'annuler l'autorité de l'utilisateur de faire fonctionner l'équipement.

Cet appareil est conforme aux dispositions de la partie 15 du règlement de la FCC et de la norme IC RSS-210. Son utilisation est assujettie aux deux conditions suivantes: (1) ce dispositif ne peut causer des interférences nuisibles, et (2) ce dispositif doit accepter toute interférence reçue, y compris une interférence pouvant causer un fonctionnement non souhaité.

Cet appareil numérique de la classe B est conforme à la norme NMB-003 du Canada.



# JUEGO PARA CONTROL DE ABRE-PUERTA DE GARAJE CON SMARTPHONE ASSURELINK™ MODELO 139.53999

## APLICACIÓN

Este juego incluye el panel de control Assurelink™ modelo 41a7928-1 y el Assurelink™ Internet Gateway modelo 41A7665. El panel de control está hecho para ser instalado con los abre-puertas de garaje Craftsman® Security+™, fabricados entre 1998 y la actualidad. El panel de control Assurelink™ NO es compatible con abre-puertas de garaje Security+ 2.0™. NO instale este control de puerta en sistemas de abre-puertas de garaje que controlan puertas de una pieza o de vaivén.

## DESCRIPCIÓN GENERAL

El panel de control Assurelink™ ofrece una forma rápida y conveniente para añadir la tecnología Assurelink™ a su actual abre-puertas de garaje. La tecnología Assurelink™ genera una señal de 900 MHz para establecer comunicaciones bidireccionales entre el abre-puertas de garaje y los accesorios Assurelink™ activados. Cuando está programado con el Assurelink™ Internet Gateway, usted puede monitorear y controlar la puerta de su garaje desde cualquier computadora o smartphone habilitado con Internet. Usted puede programar hasta 12 controles remotos Assurelink™; 2 accesos con llave digital Assurelink™ y una combinación de 16 accesorios Assurelink™ con el panel de control Assurelink™. Para obtener la información de compatibilidad completa, consulte la página 8.

## INSTALE EL PANEL DE CONTROL ASSURELINK™

Instale el panel de control en lugar del control de la puerta actual. Debido al consumo de corriente, el panel de control, no se puede usar junto con otro control de puerta cableado conectado a su abre-puerta del garaje. Si se necesita un control de puerta adicional, el **modelo inalámbrico del control de puerta 41A7773-1**, se puede programar con el panel de control. Para programar el 41A7773-1 con el panel de control, siga los pasos de programación del control remoto. Cuando la batería se encuentre en modo de reserva, se desactivará cualquier función en estado pasivo, como el Temporizador de cierre, cerrar desde una puerta de garaje y el monitoreo de la puerta, u otra operación remota que utilice el Assurelink™ Internet Gateway.

1. Desconecte del abre-puertas la alimentación eléctrica y la batería (si estuviera usando una).
2. Retire el control de puerta actual de la pared.
3. Observe la polaridad de los cables conectados al control de puerta actual.
  - Etiquete el cable conectado al terminal RED (rojo).
  - Etiquete el cable conectado al terminal WHITE (blanco).

Desconecte los cables del control de la puerta actual.

4. Conecte los cables al nuevo panel de control. Asegúrese de que la polaridad sea la correcta.
  - Cable rojo al terminal R.
  - Cable blanco al terminal W.
5. Monte el panel de control en la pared.
6. Vuelva a conectar la corriente. El LED de comando amarillo y el LED de programación rojo parpadearán rápidamente por hasta 5 minutos mientras el panel de control se recarga. Cuando el panel de control esté operativo, el LED de comando amarillo se encenderá permanentemente.
7. Para preparar el panel de control, oprima la barra pulsadora para activar el abre-puertas del garaje.

## SI TIENE ALGÚN PROBLEMA

- Si el LED de comando amarillo no enciende, invierta los cables conectados a los terminales R y W del panel de control. Reemplace el cable si es necesario.
- Si los LED amarillo y rojo están destellando lentamente, el panel de control no es compatible con su abre-puerta de garaje.
- Si los LED amarillo y rojo están destellando rápidamente, el panel de control se está cargando y puede tomar hasta 5 minutos para que esté totalmente operativo.

## ⚠️ ⚠️ ADVERTENCIA

Para evitar posibles ACCIDENTES LESIVOS e incluso MORTALES de electrocución:

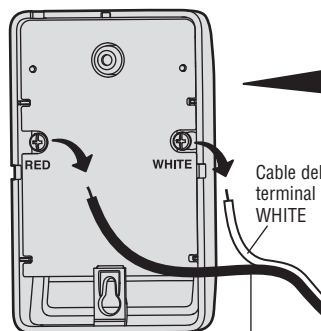
- ANTES de instalar el control verificar que NO esté conectada la alimentación la alimentación eléctrica.
- Conectar SOLAMENTE a conductores de 7-28 VOLTIOS.

Para evitar posibles ACCIDENTES LESIVOS e incluso MORTALES durante el cierre de una puerta de garaje:

- Instalar el control donde la puerta quede a la vista, fuera del alcance de los niños, a una altura mínima de 5 pies (1.5 m) y alejado de TODAS las partes móviles de la puerta.
- NO permitir que los niños usen ni jueguen con los botones del control ni con un control remoto.
- Haga funcionar la puerta SÓLO si la puede ver claramente, si está bien instalada y si no hay ninguna obstrucción en su recorrido.
- SIEMPRE mantenga a la vista la puerta hasta que esté totalmente cerrada. NUNCA permita que alguien cruce bajo una puerta de garaje en movimiento.
- NO instale este control de puerta en sistemas de abre-puertas de garaje que controlan puertas de una pieza o de vaivén.

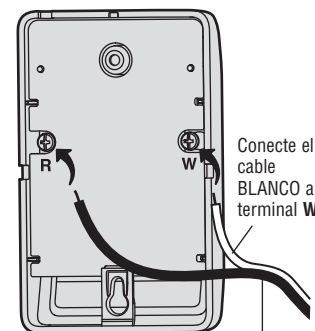
Para proporcionar una alerta visual adecuada, las bombillas del abre-puerta del garaje DEBEN ser de un mínimo de 40 vatios (o equivalentes).

Control de la puerta actual

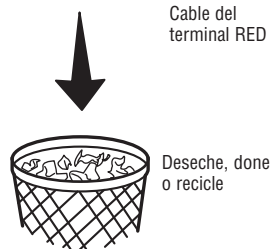


Cable del terminal WHITE  
Cable del terminal RED

El panel de control Assurelink™



Conecte el cable BLANCO al terminal W  
Conecte el cable ROJO al terminal R



Deseche, done o recicle

# INSTALE EL ASSURELINK™ INTERNET GATEWAY

El Gateway de Internet Assurelink™ le permite controlar el abre-puerta de garaje con una computadora o smartphone conectado a Internet. El Panel de Control Assurelink™ fue programado de fábrica para interactuar con el Gateway de Internet Assurelink™.

## 1 CONECTE EL ASSURELINK™ INTERNET GATEWAY

- 1.1 Conecte el Assurelink™ Internet Gateway a un router con el cable de Ethernet. Si solo tiene acceso a una señal Wi-Fi y no a un router, deberá utilizar un adaptador de red inalámbrico (no incluido) para conectarse a Internet.
- 1.2 Conecte el Assurelink™ Internet Gateway a la corriente. Los LED azul y verde parpadearán momentáneamente y luego, los LED azul y verde se iluminará por completo.

## 2 CREE UNA CUENTA

Desde su computadora, ingrese a [www.craftsman.com/assurelink](http://www.craftsman.com/assurelink) y siga las instrucciones para crear una cuenta. Utilice una computadora para realizar este paso; no podrá crear una cuenta desde un dispositivo móvil.

## 3 REGISTRE EL ASSURELINK™ INTERNET GATEWAY

Busque el número de serie en la parte inferior del Gateway de Internet Assurelink™. Registre el número de serie encontrado. Al finalizar el registro de su unidad, su abre-puerta de garaje aparecerá en la sección llamada "Places" de su cuenta. Si el abre-puerta de garaje no apareciera, siga las instrucciones del paso 4 a continuación.

## 4 programe el panel de control Assurelink™ al Assurelink™ Internet Gateway

- 4.1. Haga clic en "Administrar lugares > Agregar nuevo dispositivo > Abre-puerta del garaje" ("Manage Places > Add New Device > Garage Door Opener") y siga las instrucciones.
- 4.2. Una vez que haga clic en AGREGAR (ADD), tendrá 3 minutos para presionar el botón PROGRAMAR (LEARN) dos veces en el panel de control. El LED de programación rojo se encenderá.
- 4.3. El LED de programación rojo se apagará cuando se haya completado la programación. El LED azul en el Assurelink™ Internet Gateway se encenderá para indicar que se ha programado un dispositivo. Una vez que el panel de control esté programado, aparecerá en su pantalla, entonces podrá ponerle un nombre al dispositivo (p. ej., Mi panel de control, etc.).
- 4.4 Haga clic en GUARDAR (SAVE).

El panel de control ya ha sido programado a la puerta de enlace a Internet y la puerta del garaje ya puede ser controlada desde una computadora o smartphone. Siga los siguientes pasos para agregar otros dispositivos Assurelink™.

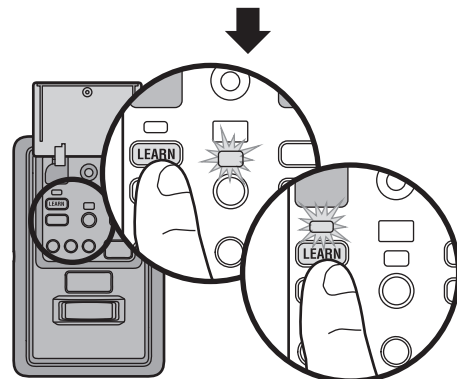
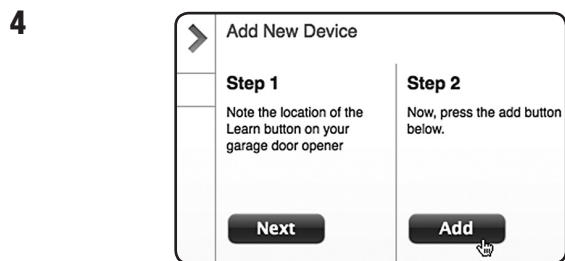
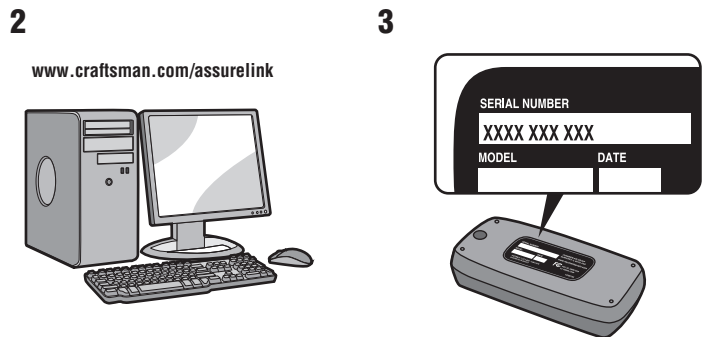
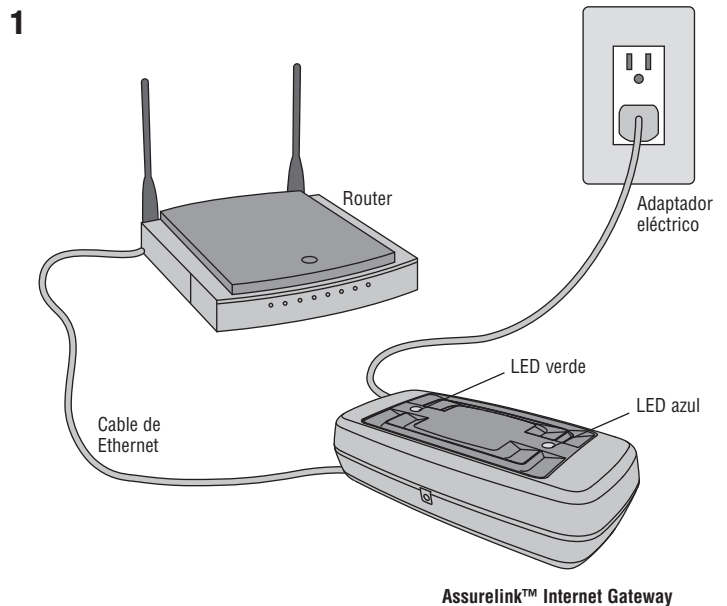
## DESCARGAR LA APLICACIÓN PARA SMARTPHONES

Visite la tienda de aplicaciones para su smartphone para descargar la aplicación Assurelink™. Con la aplicación podrá monitorear y controlar su abre-puertas de garaje y dispositivos Assurelink™. También podrá agregar o eliminar otros accesorios Assurelink™.

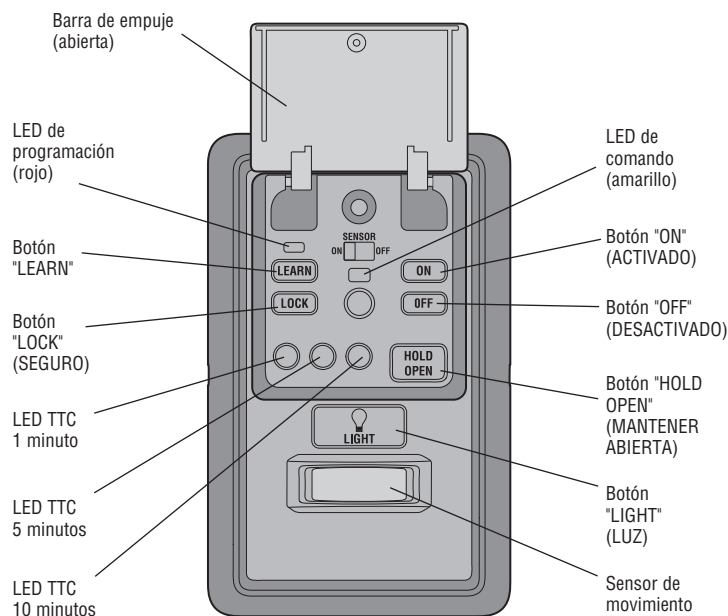
## SI TIENE ALGÚN PROBLEMA

Después de encenderlo, las luces LED mostrarán el estado del Assurelink™ Internet Gateway.

- **Luz VERDE sólida** – Indica que el Assurelink™ Internet Gateway tiene una dirección IP y está conectado a Internet.
- **Luz VERDE parpadeante** – Indica que el Assurelink™ Internet Gateway tiene una dirección IP, pero que no puede acceder a Internet. Revise las configuraciones de su router y las conexiones a Internet.
- **Luz VERDE apagada** – Indica que el router no está proporcionando una dirección IP al Assurelink™ Internet Gateway. Revise las configuraciones de su router y las conexiones a Internet.



## FUNCIONES



### BARRA DE EMPUJE

Presione la barra de empuje para abrir/cerrar la puerta.

### LUCES

Oprima el botón "LIGHT" para encender o apagar las luces del abre-puertas de garaje. Cuando se enciendan las luces, permanecerán así hasta que se oprima de nuevo el botón "LIGHT" o hasta que se active el abre-puertas de garaje. Una vez que el abre-puertas de garaje se active, las luces se apagarán después del período de tiempo especificado (el ajuste de fábrica es de 4-1/2 minutos). El botón "LIGHT" no controlará las luces cuando la puerta esté en movimiento.

Para cambiar el tiempo que permanecerán encendidas las luces del abre-puertas de garaje:

Mantenga oprimido el botón "LOCK" hasta que las luces del abre-puertas de garaje parpadeen. El intervalo de tiempo será indicado por la cantidad de parpadeos.

CANTIDAD DE VECES QUE PARPADEAN LAS LUCES DEL ABRE-PUERTAS DE GARAJE	1	2	3	4
TIEMPO QUE PERMANECEN ENCENDIDAS LAS LUCES DEL ABRE-PUERTAS DE GARAJE	1 ½ Minutos	2 ½ Minutos	3 ½ Minutos	4 ½ Minutos

### Funcionalidad de las luces

Las luces se encenderán cuando alguien entre por la puerta del garaje abierta y se interrumpa el haz infrarrojo del sensor de inversión.

#### Activar:

Comience con las luces del abre-puertas de garaje encendidas. Mantenga oprimido el botón "LIGHT" hasta que se apaguen las luces del abre-puertas de garaje; a continuación, enciéndalas de nuevo.\*

#### Desactivar:

Mantenga oprimido el botón "LIGHT" hasta que se enciendan las luces del abre-puertas de garaje; a continuación, apáguelas de nuevo.\*

\* Aproximadamente 10 segundos

### SENSOR DE MOVIMIENTO

Esta funcionalidad encenderá automáticamente las luces del abre-puertas de garaje cuando se detecte movimiento. Las luces se encenderán por el período de tiempo establecido y, a continuación, se apagarán.

#### Activar/Desactivar:

Deslice el selector del sensor de movimiento hacia ACTIVADO u DESACTIVADO.

### TEMPORIZADOR DE CIERRE (TTC)

**NOTA:** NO instale este control de puerta en sistemas de abre-puertas de garaje que controlan puertas de una pieza o de vaivén.

La función del TTC cerrará automáticamente la puerta después de un periodo de tiempo especificado (1, 5 o 10 minutos). Una vez que el TTC se ha configurado y que la puerta está abierta, el LED del intervalo de cierre seleccionado parpadeará y comenzará la cuenta regresiva para cerrar la puerta. El panel de control emitirá una señal sonora y las luces del abre-puertas del garaje parpadearán antes de cerrar la puerta.

La funcionalidad TTC se desactivará si la puerta del garaje se encuentra dos obstrucciones secuenciales, o si los sensores de inversión de seguridad están instalados incorrectamente. La puerta del garaje invertirá su movimiento y se abrirá y NO se cerrará hasta que se eliminen las obstrucciones o se instalen correctamente los sensores de inversión de seguridad. Cuando la obstrucción haya sido eliminada o se hayan alineado los sensores de inversión de seguridad, la puerta se cerrará al activar el abre-puertas de garaje.

#### Activar:

Mantenga oprimido el botón "ON" hasta que se encienda uno de los LED del TTC. A continuación, oprima de nuevo el botón "ON" para desplazarse por las opciones de intervalos de tiempo (el LED del TTC correspondiente se encenderá para cada intervalo de tiempo). Los focos de las luces del abre-puertas de garaje parpadearán a modo de confirmación.

#### Desactivar:

Mantenga oprimido el botón "OFF" hasta que todos los LED TTC se apaguen y se oiga un tono proveniente de la panel de control.

#### Para mantener abierta temporalmente la puerta (suspender el TTC):

Oprima y suelte el botón "HOLD OPEN". Oprima otra vez el botón "HOLD OPEN" para reanudar la operación normal del TTC.

### SEGURO

#### Activar\*:

Mantenga oprimido el botón "LOCK" durante 2 segundos. El LED de comando parpadeará mientras esté activado el seguro y su control remoto portátil no operará la puerta en este momento.

#### Desactivar:

Mantenga oprimido de nuevo el botón "LOCK" durante 2 segundos. El LED de comando dejará de parpadear y se reanudará la operación normal.

\* El teclado de Assurelink™ continuará funcionando cuando se active el BLOQUEO (LOCK).

### BORRAR DISPOSITIVOS DE LA MEMORIA

#### Borrar todos los datos de control remoto y entra sin llave:

- Mantener oprimido el botón de aprendizaje en el panel de control hasta que se apague el LED (aproximadamente 6 segundos). Se borrarán todos los datos almacenados en el control remoto y en la cerradura digital. Volver a programar todo accesorio que desea usar.

**NOTA:** Borrar controles remotos y accesos con llave digital del panel de control, no las borra del abre-puerta del garaje; usted necesita borrar la memoria del abre-puerta del garaje por separado.

#### Borrar todos los dispositivos (incluyendo los accesorios Assurelink™):

- Mantener oprimido el botón de aprendizaje en el panel de control hasta que se apague el LED (aproximadamente 6 segundos).
- Inmediatamente pulsar el botón de aprendizaje hasta que el LED se apague. Ahora todos los códigos estarán borrados. Volver a programar todo accesorio que desea usar.

# PROGRAMACIÓN

Se puede programar una variedad de accesorios (que se venden por separado) al panel de control Assurelink™.

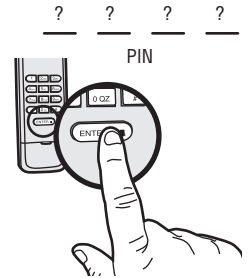
## CONTROL REMOTO



1. Presione dos veces el botón PROGRAMAR (LEARN) del panel de control; el LED de programación rojo se encenderá.
2. Presione el botón del control remoto con el cual desea operar la puerta.
3. Las luces del abre-puertas de garaje parpadearán (o se escucharán dos clics) cuando el código quede programado.

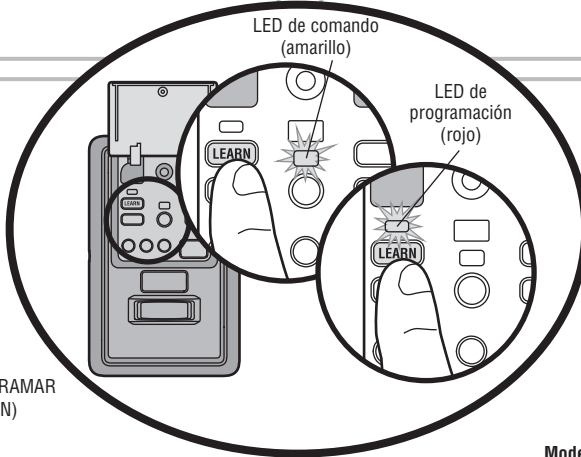
## LLAVE DIGITAL

1. Presione dos veces el botón PROGRAMAR (LEARN) del panel de control; el LED de programación rojo se encenderá.
2. Escriba un número de cuatro dígitos (PIN) como código personal de uso en el teclado de acceso con llave digital. Luego, presione el botón ENTER.
3. Las luces del abre-puertas de garaje parpadearán (o se escucharán dos clics) cuando el código quede programado.



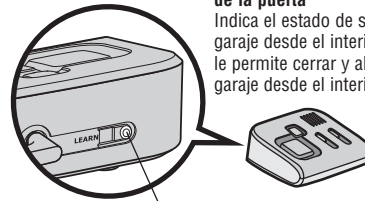
## ACCESORIOS ACTIVADOS ASSURELINK™

1. Presione dos veces el botón PROGRAMAR (LEARN) del panel de control; el LED de programación rojo se encenderá.
2. Presione el botón PROGRAMAR (LEARN) en el dispositivo Assurelink™.\*



### Modelo 139.21242 Puerta de garaje y monitoreo de la puerta

Indica el estado de su puerta del garaje desde el interior de la casa y le permite cerrar y abrir la puerta del garaje desde el interior de la casa.

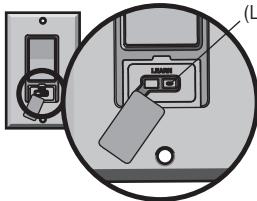


Botón PROGRAMAR (LEARN)

Botón PROGRAMAR (LEARN)

### Modelo 139.34321 Interruptor remoto de iluminación

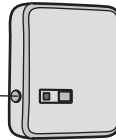
El módulo de iluminación se puede sincronizar con las bombillas del abre-puerta del garaje.



Botón PROGRAMAR (LEARN)

### Modelo 139.21255 Control remoto de iluminación

El módulo de iluminación se puede sincronizar con las bombillas del abre-puerta del garaje.



\*Los accesorios Assurelink™ se pueden programar con Assurelink™ Internet Gateway o con el panel de control Assurelink™. Para las instrucciones sobre la programación a la puerta de entrada del Internet, consulte el manual.

## ACCESORIOS COMPATIBLES

Modelo 139.30499  
Control remoto de 3 botones

Modelo 139.30498  
Mini-Control remoto de 3 botones

Modelo 41A7633  
Control remoto de 3 botones

Modelo 139.3050  
Llave digital inalámbrica

Modelo 41A6147-10  
Llave digital inalámbrica

Modelo 139.34321  
Interruptor remoto de iluminación

Modelo 139.21255  
Control remoto de iluminación

Modelo 139.21242  
Puerta de garaje y monitoreo de la puerta

Modelo 41A7665  
Assurelink™ Internet Gateway

## MARQUE NUESTRO NÚMERO GRATUITO PARA RECIBIR SERVICIO:

**1-800-4-MY-HOME® (1-800-469-4663)**

**www.sears.com**

AVISO: para cumplir con las normas de la FCC y/o de la IC (Industry Canada), queda prohibido realizar ajustes o modificaciones en este receptor y/o transmisor, excepto para cambiar la configuración del código o para reemplazar la batería. NO HAY OTRAS PIEZAS QUE EL USUARIO PUEDA REPARAR.

Probado para cumplir con las normas de la FCC para uso en la oficina o en el hogar. La operación está sujeta a las dos condiciones siguientes: (1) este dispositivo no puede causar interferencias perjudiciales y, (2) este dispositivo debe aceptar cualquier interferencia recibida, incluyendo cualquier interferencia que pueda ocasionar un funcionamiento no deseado.

Este aparato digital Clase B cumple con la ICES-003 de Canadá.