



706.596680 6-Drawer Chest

706.596690 7-Drawer Roll-A-Way

# Owners Manual



Craftsman 7-Drawer AXS™ Roll-A-Way

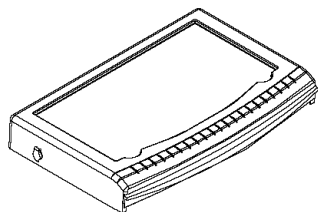


Craftsman 6-Drawer AXS™ Chest

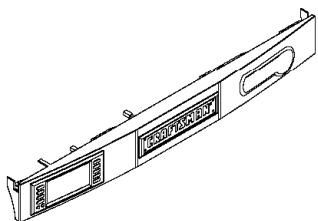
Section	Description
1612	Chest Top and Facia
1613	Drawer and Work Surface
1614	Bottom Replacement
1615	Top, Wiring Harness, Harness Grommet
1616	Chest Top without Task Light
1617	Task Light Replacement
1618	Locking System
1623	Lock Replacement
1624	Striker Replacement
1625	Drawer Front Replacement



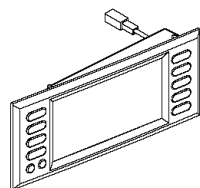
## CHEST TOP AND FACIA PARTS REPLACEMENT



Chest Top with light



Facia



Information Center

## CHEST TOP INSTALLATION AND REMOVAL

(With task light)

### Tools Required:

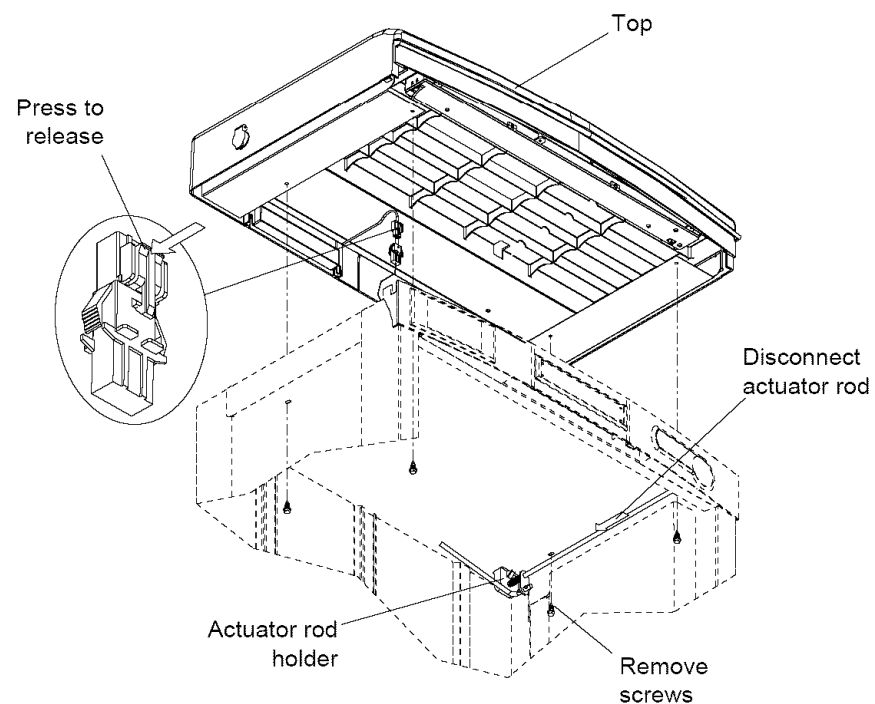
3/8" Wrench

### Chest Top Removal

- Disconnect power from unit.
- Remove enough drawers to reach the top back inside of the unit. (See Drawer installation and removal.)
- Push actuator rod to back of unit to disconnect from back of lock. Move actuator rod for access.
- Remove (4) screws holding top in place.
- Lift top off of unit enough to reach the wiring harness.
- Disconnect wiring harness from unit.
- Remove top from unit.

### Chest Top Installation

- Connect wiring harness to top.
- Position top on unit.
- Attach using (4) screws.
- Make sure the back of the actuator rod is inserted into the actuator rod holder in the back of the unit.
- Push actuator rod toward back of unit and line up with lock. Insert the actuator rod into the back of the lock.
- Test lock operation.
- Reinstall drawers.
- Reconnect power to the unit.



## INFORMATION CENTER INSTALLATION AND REMOVAL

### Tools Required:

Screwdriver, Crosstip  
Tape

### Removal

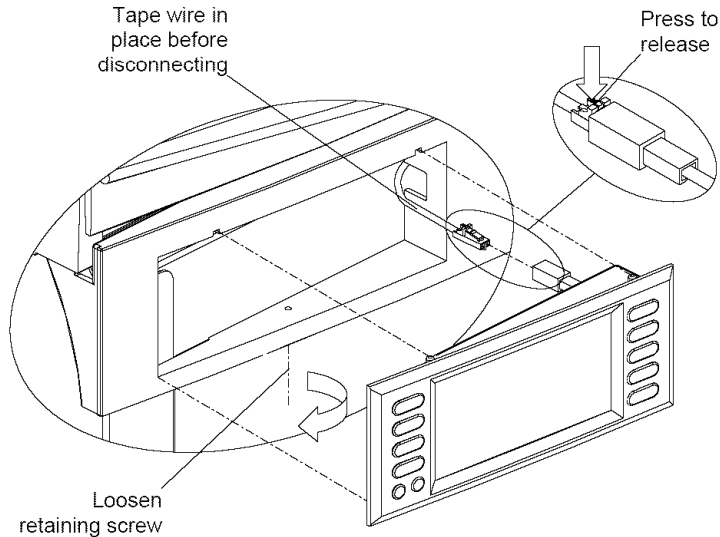
- Disconnect power from the unit.
- Remove enough drawers to reach the retaining screw under the information center. (See removing and installing drawers.)
- Loosen (do not remove) the retaining screw under the information center.
- Pull the information center straight out to remove.

Note: Tape wire to unit before unplugging the information center. This will prevent the wire from retracting into the unit.

- Unplug the information center.

### Installation

- Plug in information center.
- Position information center in unit.
- Tighten retaining screw enough to hold information center in place. Do not overtighten.
- Reinstall drawers. (See Removing and installing drawers.)
- Reconnect power to unit.
- Set information center as desired. (See information center operation.)



## FACIA INSTALLATION AND REMOVAL

### Tools Required:

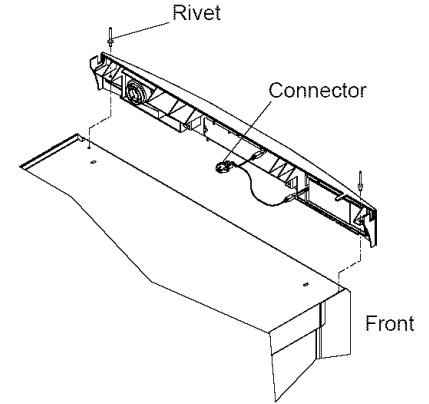
3/8" Wrench  
drill  
5/32" drill bit  
Rivet gun  
Pliers

### To remove facia

- Remove enough drawers to reach the top back inside of the chest.
- Remove lock. (See lock installation and removal.)
- Remove chest top. See chest top installation and removal.
- Carefully drill out (2) rivets holding facia to chest.
- Remove facia.

### To reinstall facia

- Position facia on unit. Make sure connector is on top of chest.
- Attach using (2) rivets supplied.
- Reinstall lock, chest top, and drawers.



## LOCK INSTALLATION AND REMOVAL

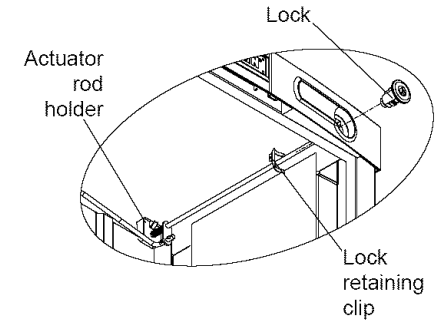
### LOCK INSTALLATION AND REMOVAL

#### To remove lock

- Remove enough drawers to reach the lock retaining clip behind the lock.
- Remove lock retaining clip. Pull lock out to remove.

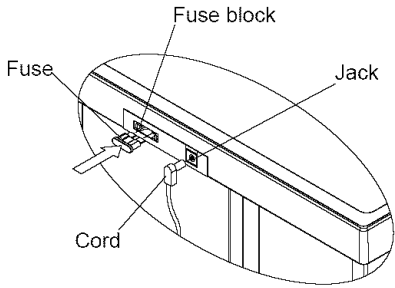
#### To reinstall lock

- Position lock in unit. Install retaining clip to hold lock in place.
- Make sure the back of the actuator rod is inserted into the actuator rod holder in the back of the unit.
- Push actuator rod toward back of unit and line up with lock. Insert the actuator rod into the back of the lock.
- Test lock operation.
- Reinstall drawers.



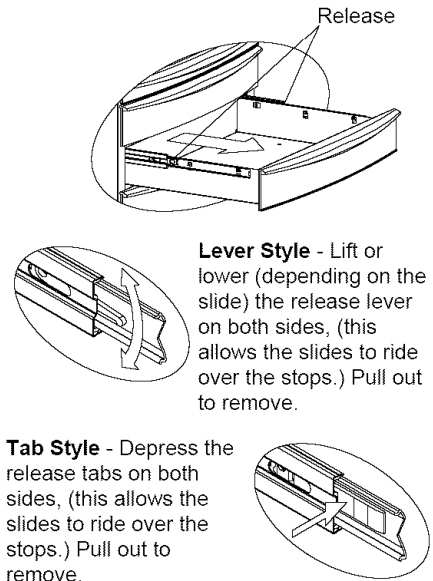
## CONNECTING POWER

- Ensure that the unit and power cord are clean and dry.
- Insert the round end of the power cord connector into the jack in the back of the unit.
- Plug the cord into an appropriate electrical outlet.



## REMOVING AND INSTALLING DRAWERS:

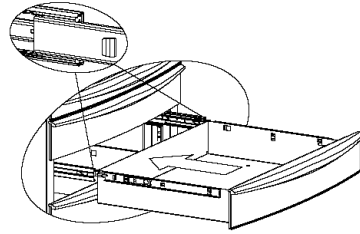
- Empty the drawer.
- Fully extend the drawer.



**Lever Style** - Lift or lower (depending on the slide) the release lever on both sides, (this allows the slides to ride over the stops.) Pull out to remove.

**Tab Style** - Depress the release tabs on both sides, (this allows the slides to ride over the stops.) Pull out to remove.

To reinstall, carefully align the slides and push the drawer into the unit until the drawer stops.



## INFORMATION CENTER OPERATION

The information center is equipped with a battery backup to maintain memory only. The display will not function while power is disconnected from the unit.

Outside temperature display requires optional outside temperature sensor.

### Display backlight

- Pressing **(Light)** turns the display backlight on for 15 seconds.

### Setting the current time

- Press and hold **(Clock Set)** for at least two seconds. (Second resets to zero and hour begins to flash.)
- Press **(Clock)** to set am/pm or 24 hour mode as desired. Note: The am/pm indicator is not shown in 24 hour mode.
- Adjust hour using **(+)** and **(-)**.
- Pressing **(Clock)** toggles to next field. Note: To toggle to minute without changing hour, press **(+)** then **(-)** then **(Clock)**.
- Adjust minute using **(+)** and **(-)**.
- Press **(Clock)** to toggle to next field.
- Repeat to adjust Month, Day, and Year.
- Toggling past year exits set mode.
- Day of week is displayed according to Month, Day, and Year.

## Temperature Display


Pressing **(°F/°C)** toggles inside and outside temperature displays between Celsius and Fahrenheit.

- Pressing **(Temp)** toggles inside and outside temperature displays between
  - ACT (Actual temperature)
  - MIN (Minimum recorded temperature since last reset)
  - MAX (Maximum recorded temperature since last reset)
- Press and hold **(Temp)** for at least two seconds to clear inside and outside minimum and maximum recorded temperatures.
- An audible beep will sound when temperature is reset.

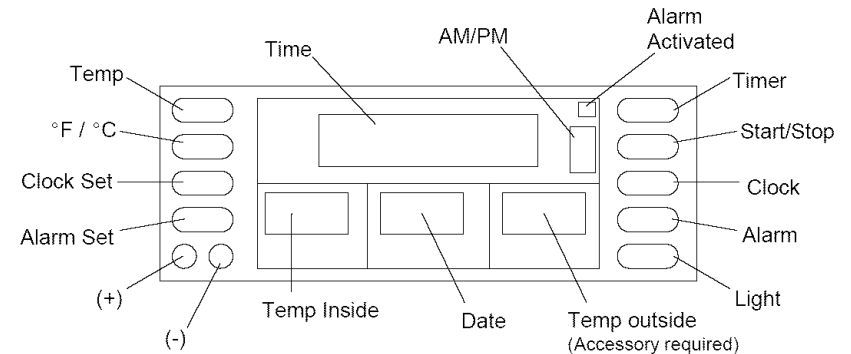
## Setting the alarm

- Press and hold **(Alarm Set)** for at least two seconds. (Second resets to zero and hour begins to flash.)
- Adjust hour using **(+)** and **(-)**.
- Pressing **(Alarm)** toggles to next field.
- Repeat to adjust minute.
- Toggling past minute exits set mode.

## Turning alarm on or off

When the alarm is activated, the display will show the indicator .

- Press **(Alarm)** to activate or deactivate the alarm.
- Press **(Alarm)** to silence alarm when ringing.



## Timer function

- Press **(Timer)** to enter timer mode.
- Press **(Start/Stop)** to start timer.
- Each time **(Start/Stop)** is pressed starts or stops timer.
- Press and hold **(Start/Stop)** for at least two seconds to reset timer to zero.

## Count down timer function

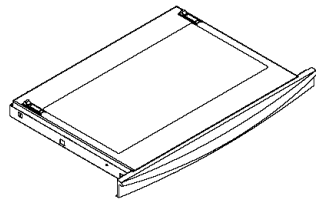
- Press and hold **(Timer)** for at least two seconds.
- Display shows 00:00:00 and hour begins to flash.
- Adjust hour using **(+)** and **(-)**.
- Pressing **(Timer)** toggles to next field.
- Repeat to adjust minute and second.
- Toggling past second exits set mode. Note: To set timer to 24 hours, toggle display to 00:00:00.
- Press **(Start/Stop)** to start count down.
- Each time **(Start/Stop)** is pressed starts or stops timer.
- Alarm sounds when timer reaches 00:00:00.
- Press any button to silence the alarm.

## Clock

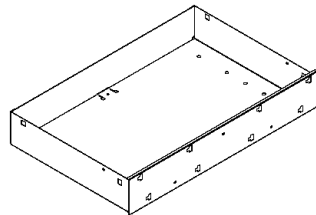
When in Timer or Count down timer mode, press **(Clock)** to display current time. Press **(Timer)** to return to timer or count down timer.



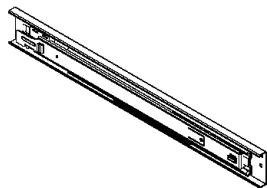
## DRAWER AND WORK SURFACE PARTS REPLACEMENT



Work Surface



Drawer



Slide

### Tools Required:

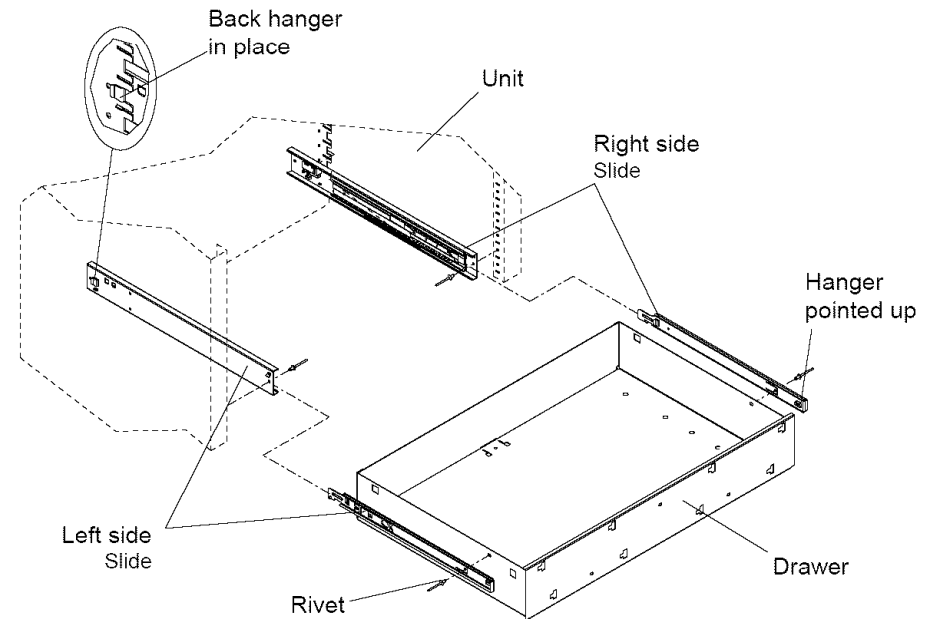
- Drill
- 5/32" Drill bit
- Rivet gun

### Removal

- Remove drawer or work surface from unit. (See drawer and work surface installation and removal.)
- Carefully drill out rivet holding slide drawer member to drawer or work surface.
- Rotate front of slide drawer member down and out.
- Pull slide forward to remove.
- Carefully drill out rivet holding slide unit member in place.
- Pull slide unit member forward to remove.

### Installation

- Separate slide drawer member from unit member. (See drawer and work surface installation and removal.)
- Install new slide unit member. (Install back hanger first.)
- Rivet unit member in place as shown.
- Install drawer member. (Install back hanger first.)
- Install rivet to hold slide drawer member in place.
- Reinstall drawer or work surface into unit. (See drawer and work surface installation and removal.)



## DRAWER AND WORK SURFACE REPLACEMENT

### Tools Required:

- Drill
- 5/32" Drill bit
- Rivet gun
- Crosstip screwdriver

### Removal

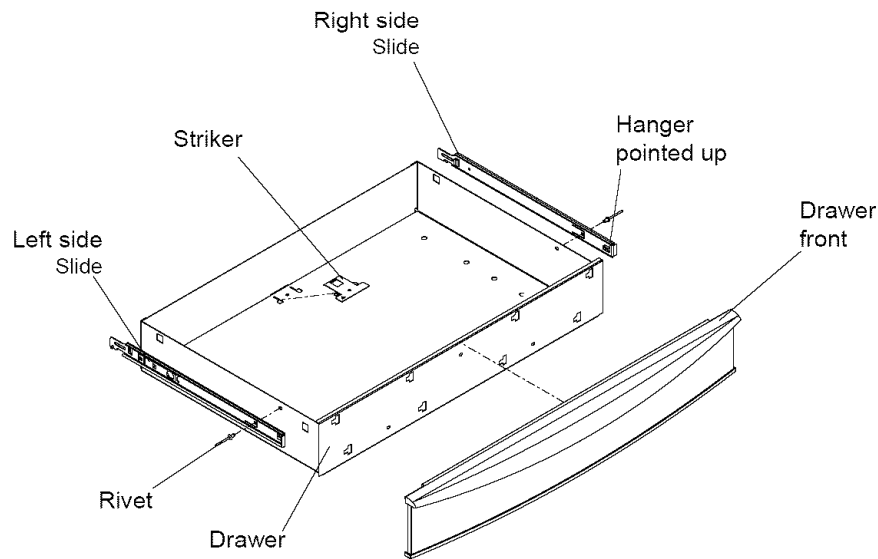
- Remove drawer or work surface from unit. (See Drawer and Work surface installation and removal.)
- Carefully drill out rivets holding slides to drawer.
- Rotate front of slide down and out.
- Pull slide forward to remove.

### Drawers only

- Remove striker. (See striker replacement.)
- Remove drawer front. (See drawer front replacement.)

### Installation

- Install slides on new drawer or work surface. (Install back hangers first.)
  - Install rivets to hold slides in place.
- Drawers only
- Install striker. (See striker replacement.)
  - Install drawer front. (See drawer front replacement.)
- Drawers and work surface
- Install drawer or work surface in unit. See drawer and work surface installation and removal.



## DRAWER FRONT INSTALLATION AND REMOVAL

### Tools Required:

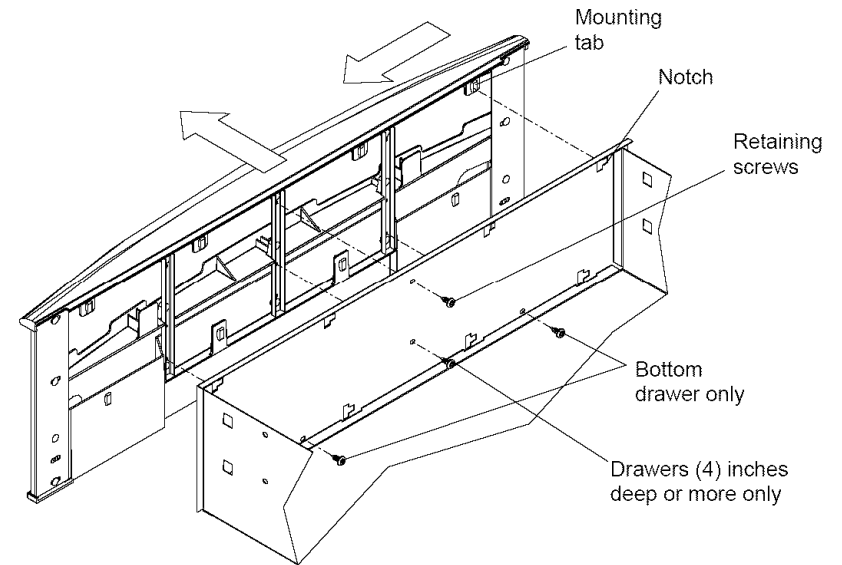
- Crosstip screwdriver

### Removal

- Remove retaining screw(s).
- Slide drawer front assembly as indicated to unhook mounting tabs.
- Pull out to remove.

### Installation

- Position drawer front on drawer assembly.
- Insert mounting tabs into notches on drawer.
- Slide drawer front over to attach.
- Install retaining screw(s) to hold drawer front in place.

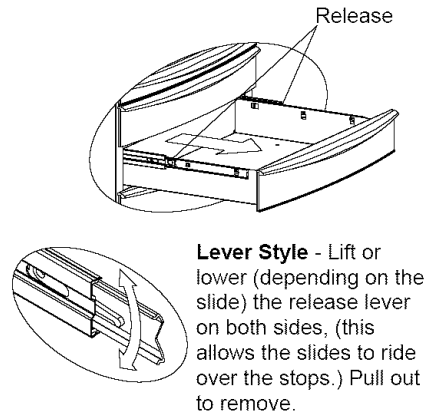


## DRAWER AND WORK SURFACE INSTALLATION AND REMOVAL

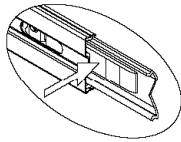
Note: For pull out work surface without task light, follow drawer removal instructions.

### DRAWER

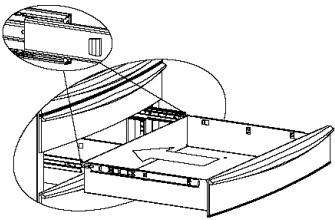
- Empty the drawer.
- Fully extend the drawer.



**Tab Style** - Depress the release tabs on both sides, (this allows the slides to ride over the stops.) Pull out to remove.



- To reinstall, carefully align the slides and push the drawer into the unit until the drawer stops.

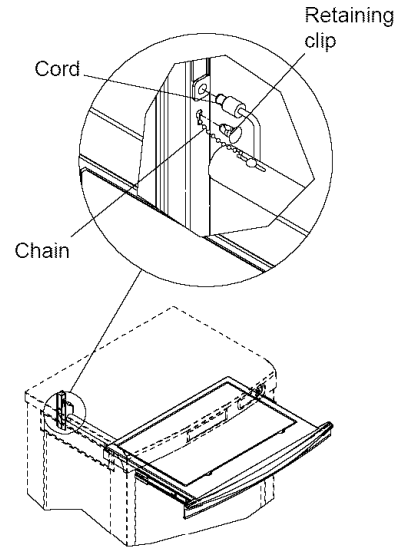


### PULL OUT WORK SURFACE WITH TASK LIGHT

#### Removal

- Disconnect the power from the unit.
- Remove enough drawers to gain access to connections in the back of the roll-away behind the work surface. (Follow drawer removal instructions.)

- Unplug work surface cord from back of roll-away.
- Remove and save back retaining clip.
- Disconnect chain inside back of roll-away. (Move chain toward large round part of slot. Pull out to remove.)
- Remove the work surface. (See drawer removal instructions.)



#### Installation

- To reinstall, carefully align the slides and push the work surface into the unit until the work surface stops.
- Depress release tabs in back corners of the extendable work surface.
- Push the work surface into the unit to the fully retracted position.
- Extend work surface far enough to gain access to connections in back.
- Connect chain inside back of roll away. (Insert chain into the large round part of the slot. Slide chain to small end of slot.)
- Insert retaining clip to hold chain in place.
- Plug work surface cord into back of roll-away.
- Reconnect power to the unit. (See: Connecting power.)
- Check work surface and task lighting for proper operation.
- Reinstall drawers.



## BOTTOM REPLACEMENT

### Tools Required:

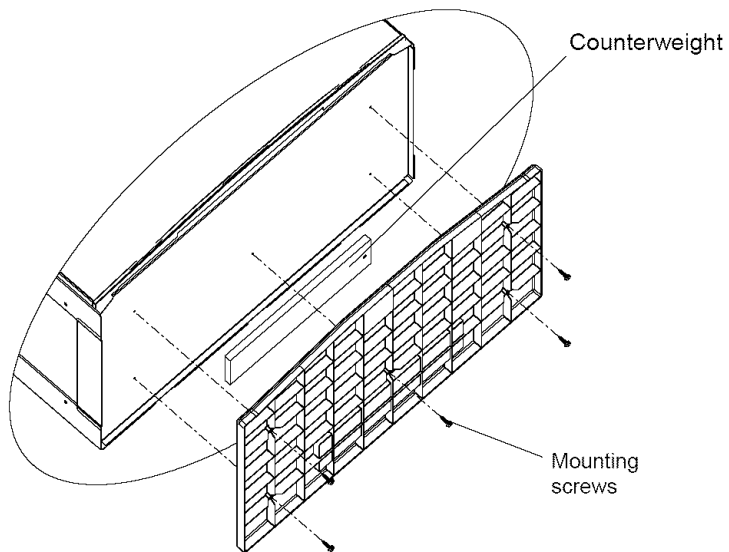
- Socket Wrench
- 5/16" Socket

### Removal

- Disconnect power from the unit.
- Remove contents from drawers.
- Carefully lay the chest on its back. Take care to prevent scratches or damage to the unit.
- Remove (5) screws holding bottom on unit.
- Remove bottom from unit.
- Remove counterweight from plastic bottom.

### Installation

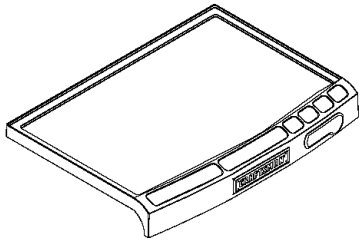
- Install counterweight in new plastic bottom.
- Position new chest bottom on chest.
- Attach using (5) new mounting screws.
- Return the chest to its upright position.
- Reconnect power to the unit.



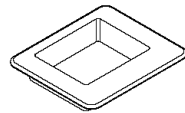




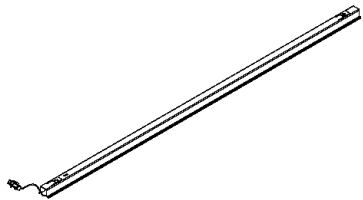
## TOP, WIRING HARNESS, HARNESS GROMMET Parts Replacement



Roll-away top



Harness grommet



Wiring harness

## WIRING HARNESS REPLACEMENT HARNESS GROMMET REPLACEMENT

**Tools Required:**  
3/8" Wrench

### WIRING HARNESS AND HARNESS GROMMET REMOVAL

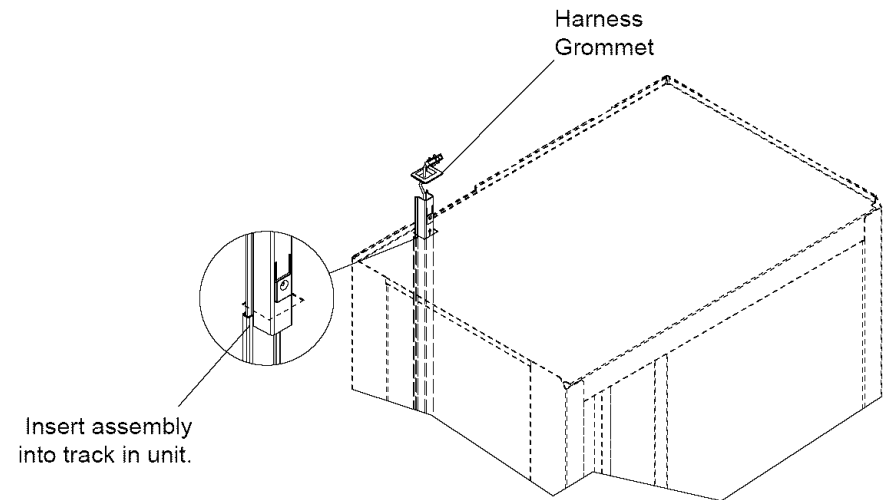
- Disconnect power from unit.
- Remove pull out work surface and enough drawers to reach the top back inside of the unit. (See drawer and work surface installation and removal.)
- Remove lock and top from roll-away. (See roll-away top removal and installation.)
- Remove harness grommet from roll-away.

### WIRING HARNESS REMOVAL

- For units with accent lighting under roll-away, remove bottom drawer and disconnect accent lighting.
- Remove wiring harness through hole in roll-away top.

### WIRING HARNESS AND HARNESS GROMMET INSTALLATION

- Insert new wiring harness assembly into mounting track through hole in top of roll-away (connector should be on top.) Slide wiring harness assembly to bottom of roll-away.
- Install harness grommet over connector. Insert into hole in top of roll-away.
- Reinstall top and lock
- If unit has accent lighting, reconnect accent lighting.
- Test lock operation.
- Reinstall drawers.
- Reconnect power to the unit.



# TOP INSTALLATION AND REMOVAL

## Tools Required:

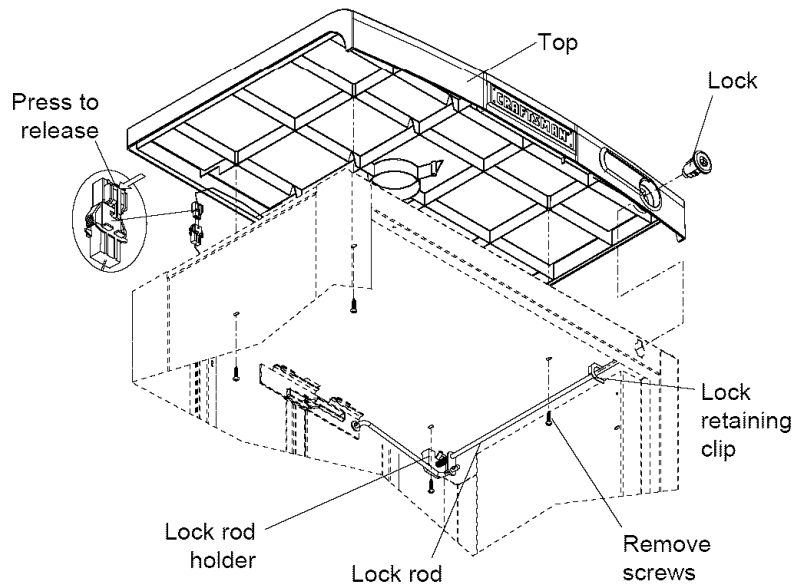
Screwdriver, Crosstip

### Roll-away top removal

- Disconnect power from unit.
- Remove pull out work surface. (See drawer and work surface installation and removal.)
- Remove enough drawers to reach the top back inside of the unit. (See Drawer and Work surface installation and removal.)
- Remove lock retaining clip. Pull lock out to remove.
- Remove (4) screws holding top in place.
- Lift top off of unit enough to reach the wiring harness.
- Disconnect wiring harness from unit.
- Remove top from unit.

### Roll-away top installation

- Connect wiring harness to top.
- Position top on unit. Attach using (4) screws.
- Position lock in unit. Install retaining clip to hold lock in place.
- Make sure the back of the lock rod is inserted into the lock rod holder in the back of the unit.
- Push the lock rod toward the back of unit the and line up with lock. Insert the lock rod into the back of the lock.
- Test lock operation.
- Reinstall drawers.
- Reinstall work surface.
- Reconnect power to the unit.

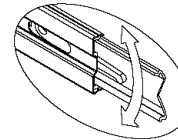
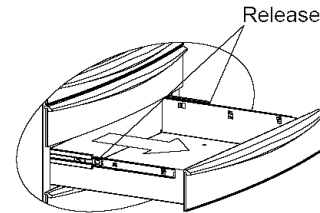


# DRAWER AND WORK SURFACE INSTALLATION AND REMOVAL

Note: For pull out work surface without task light, follow drawer removal instructions.

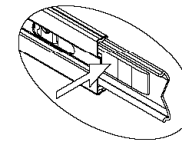
## DRAWER

- Empty the drawer.
- Fully extend the drawer.

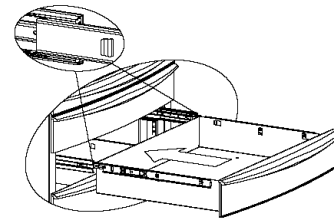


**Lever Style** - Lift or lower (depending on the slide) the release lever on both sides, (this allows the slides to ride over the stops.) Pull out to remove.

**Tab Style** - Depress the release tabs on both sides, (this allows the slides to ride over the stops.) Pull out to remove.



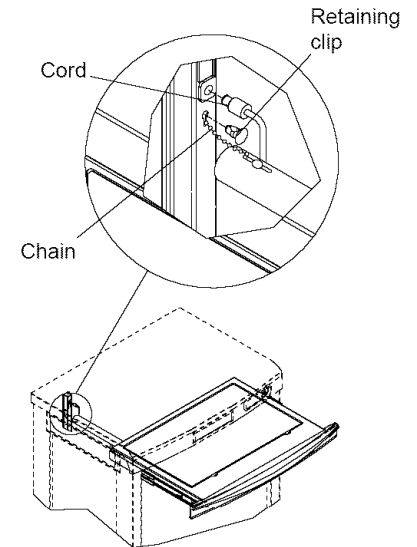
- To reinstall, carefully align the slides and push the drawer into the unit until the drawer stops.



## PULL OUT WORK SURFACE WITH TASK LIGHT Removal

- Disconnect the power from the unit.
- Remove enough drawers to gain access to connections in the back of the roll-away behind the work surface.

- Unplug work surface cord from back of roll-away.
- Remove and save back retaining clip.
- Disconnect chain inside back of roll-away. (Move chain toward large round part of slot. Pull out to remove.)
- Remove the work surface. (See drawer removal instructions.)



## Installation

- To reinstall, carefully align the slides and push the work surface into the unit until the work surface stops.
- Depress release tabs in back corners of the extendable work surface.
- Push the work surface into the unit to the fully retracted position.
- Extend work surface far enough to gain access to connections in back.
- Connect chain inside back of roll away. (Insert chain into the large round part of the slot. Slide chain to small end of slot.)
- Insert retaining clip to hold chain in place.
- Plug work surface cord into back of roll-away.
- Reconnect power to the unit. (See: Connecting power.)
- Check work surface and task lighting for proper operation.
- Reinstall drawers.



## CHEST TOP WITHOUT TASK LIGHT

### Tools Required:

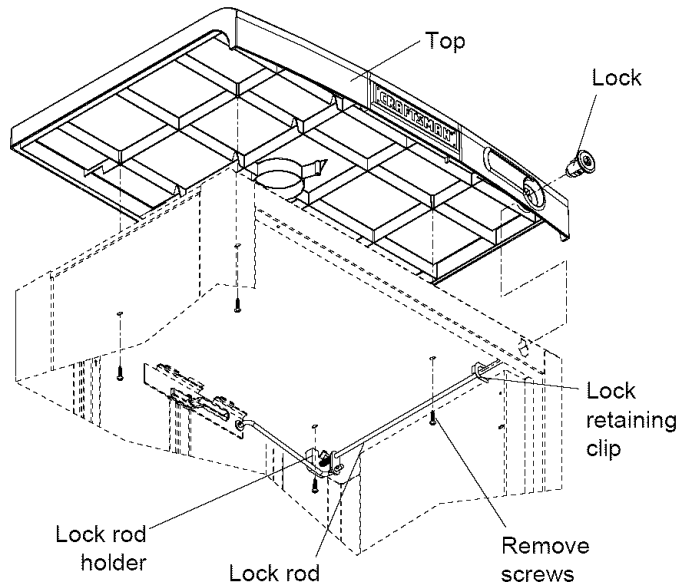
Screwdriver, Crosstip

### Chest top removal

- Disconnect power from unit.
- Remove pull out work surface. (See drawer installation and removal.)
- Remove enough drawers to reach the top back inside of the unit. (See Drawer installation and removal.)
- Remove lock retaining clip. Pull lock out to remove.
- Remove (4) screws holding top in place.
- Remove top from unit.

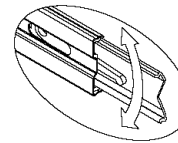
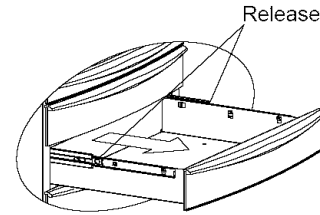
### Chest top installation

- Position top on unit. Attach using (4) screws.
- Position lock in unit. Install retaining clip to hold lock in place.
- Make sure the back of the lock rod is inserted into the lock rod holder in the back of the unit.
- Push the lock rod toward the back of unit the and line up with lock. Insert the lock rod into the back of the lock.
- Test lock operation.
- Reinstall drawers.
- Reconnect power to the unit.



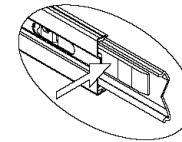
## DRAWER INSTALLATION AND REMOVAL

- Empty the drawer.
- Fully extend the drawer.

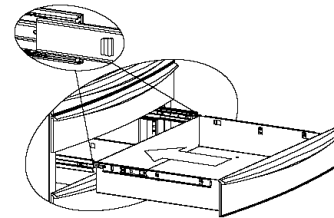


**Lever Style** - Lift or lower (depending on the side) the release lever on both sides, (this allows the slides to ride over the stops.) Pull out to remove.

**Tab Style** - Depress the release tabs on both sides, (this allows the slides to ride over the stops.) Pull out to remove.



- To reinstall, carefully align the slides and push the drawer into the unit until the drawer stops.





## TASK LIGHT REPLACEMENT

### Tools Required:

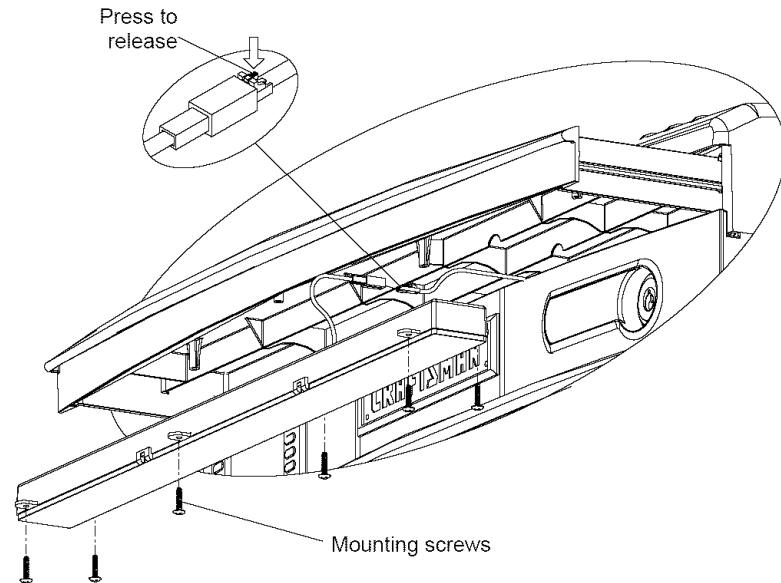
Screwdriver, Crosstip

### Removal

- Disconnect power from the unit.
- Fully extend task light assembly.
- Make note of light orientation.
- Remove (6) mounting screws to remove light.
- Unplug light.

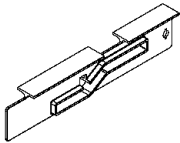
### Installation

- Plug in new light.
- Position new light in unit in same orientation as original light.
- Fasten new light in place with (6) new mounting screws.
- Reconnect power to unit.

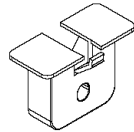




## LOCKING SYSTEM Parts Replacement



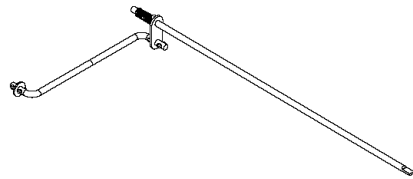
Actuator Channel



Actuator Rod Bracket



Lockbar



Actuator rod

## ACTUATOR ROD AND ACTUATOR CHANNEL REPLACEMENT

### ACTUATOR ROD AND ACTUATOR CHANNEL REMOVAL

- Disconnect power from the unit.
- Remove work surface (Roll-away only).
- Remove pull out work surface (Roll-away only.) See drawer and work surface installation and removal.)
- Remove enough drawers to reach the top back inside of the unit. (See drawer and work surface installation and removal.)
- Push actuator rod to back of unit to disconnect from back of lock.
- Rotate actuator rod straight down.
- Pull out to remove.

### ACTUATOR CHANNEL REMOVAL

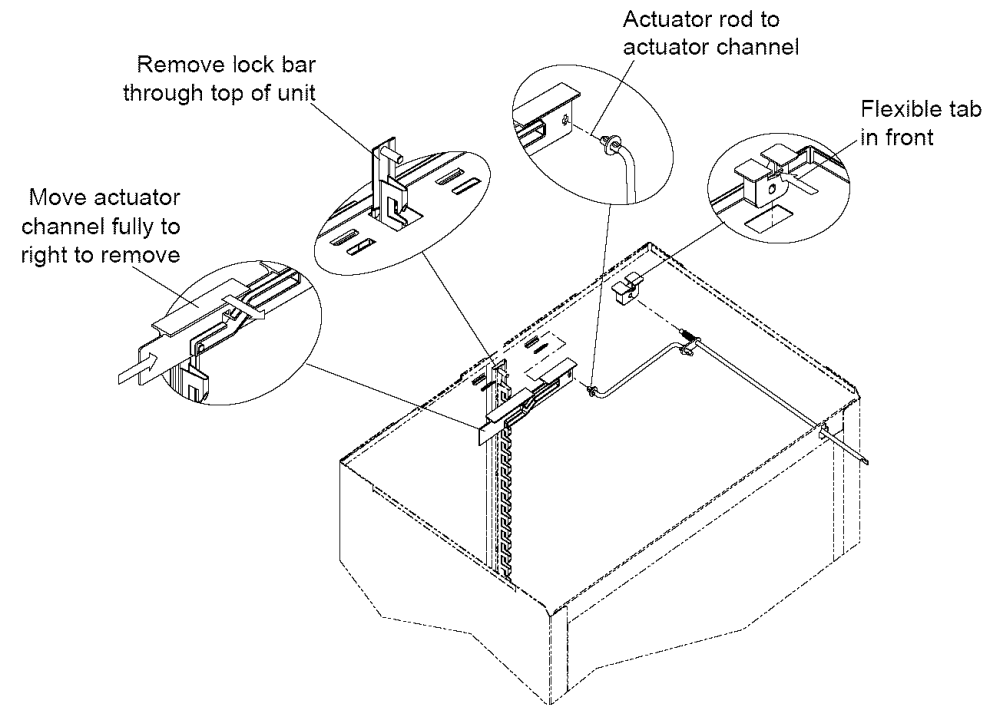
- Move actuator channel fully to the right to remove from mounting flanges.

### ACTUATOR CHANNEL INSTALLATION.

- Install slot in actuator channel over pin on lock bar. Move actuator channel fully to the right.
- Insert top flanges on actuator channel into mounting flanges on inside top of unit.

### ACTUATOR ROD INSTALLATION

- Insert actuator rod into hole in actuator channel as shown.
- Insert back of actuator rod into actuator rod holder in top back of unit.
- Push actuator rod toward back of unit and line up with lock. Insert actuator rod into back of lock.
- Test lock operation.
- Reinstall drawers.
- Reconnect power to the unit.



## ACTUATOR ROD BRACKET INSTALLATION AND REMOVAL

### Removal

- Disconnect power from unit.
- For roll-aways, remove work surface. (See drawer and work surface installation and removal.)
- Remove enough drawers to reach the top back inside of the unit. (See Drawer and Work surface installation and removal.)
- Remove top from unit. (See top installation and removal for your unit.)
- Pull actuator rod bracket forward. Lift out to remove.

### Installation

- Insert actuator rod bracket into hole in back corner of unit. Ensure actuator rod bracket snaps into place. Note: The flexible tab should be in front.
- Reinstall top in unit.
- Insert back of actuator rod into actuator rod holder in top back of unit.
- Push actuator rod toward back of unit and line up with lock. Insert actuator rod into back of lock.
- Test lock operation.
- Reinstall drawers.
- Reconnect power to the unit.

## LOCK BAR INSTALLATION AND REMOVAL

### Removal

- Disconnect power from the unit.
- For roll-aways, remove work surface. (See drawer and work surface installation and removal.)
- Remove all drawers.
- Remove actuator rod and actuator channel. (See actuator rod and actuator channel installation and removal.)
- Remove top from unit.
- See top removal for your unit.
- Lift lock bar out through hole in top of unit.

### Removal

- Insert lock bar through hole in top of unit.
- Slide lock bar down through lock bar guide.
- Reinstall top on unit.
- Reinstall actuator channel and actuator rod.
- Test lock operation.
- Reinstall drawers.
- Reconnect power to the unit.

## TOP INSTALLATION AND REMOVAL ROLL-AWAYS, CHESTS WITHOUT TASK LIGHT

### Tools Required:

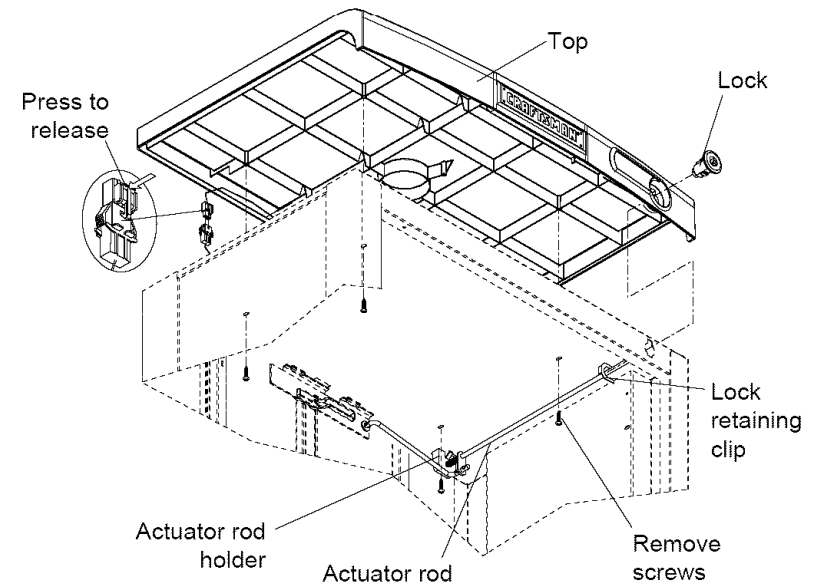
Screwdriver, Crosstip

### Removal

- Disconnect power from unit.
- For roll-aways, remove work surface. (See drawer and work surface installation and removal.)
- Remove enough drawers to reach the top back inside of the unit. (See Drawer and Work surface installation and removal.)
- Remove lock retaining clip. Pull lock out to remove.
- Remove (4) screws holding top in place.
- For roll-aways, lift top off of unit enough to access the wiring harness. Disconnect wiring harness from unit.
- Remove top from unit.

### Installation

- For roll-aways, connect the wiring harness to unit.
- Position top on unit. Attach using (4) screws.
- Position lock in unit. Install retaining clip to hold lock in place.
- Make sure the back of the actuator rod is inserted into the actuator rod holder in the back of the unit.
- Push the actuator rod toward the back of unit the and line up with lock. Insert the actuator rod into the back of the lock.
- Test lock operation.
- Reinstall drawers.
- Reinstall work surface.
- Reconnect power to the unit.



## CHEST TOP INSTALLATION AND REMOVAL (With task light)

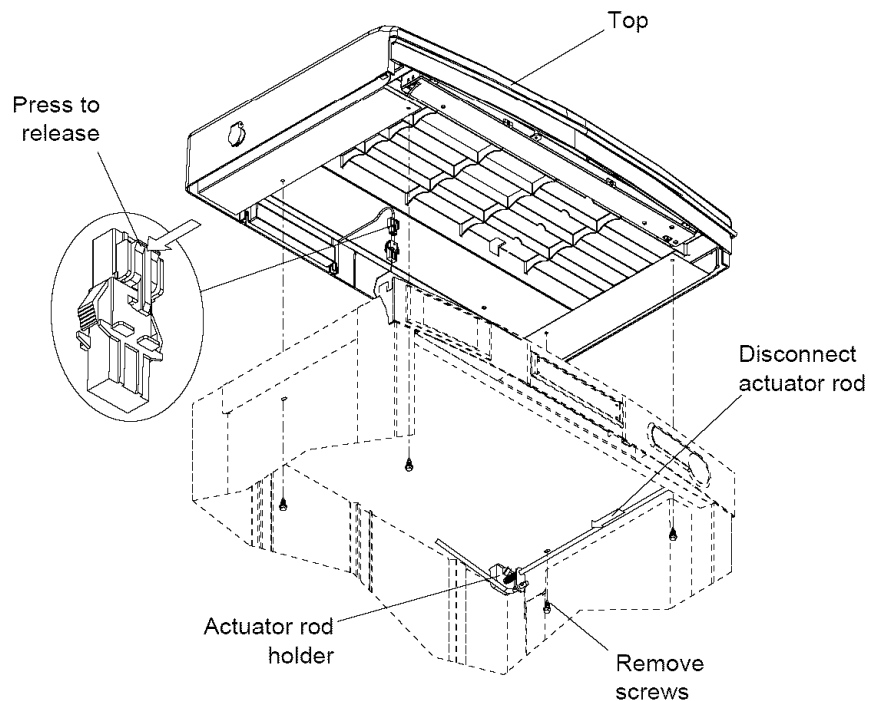
**Tools Required:**  
3/8" Wrench

### Chest Top Removal

- Disconnect power from unit.
- Remove enough drawers to reach the top back inside of the unit. (See Drawer installation and removal.)
- Push actuator rod to back of unit to disconnect from back of lock. Move actuator rod for access.
- Remove (4) screws holding top in place.
- Lift top off of unit enough to reach the wiring harness.
- Disconnect wiring harness from unit.
- Remove top from unit.

### Chest Top Installation

- Connect wiring harness to top.
- Position top on unit.
- Attach using (4) screws.
- Make sure the back of the actuator rod is inserted into the actuator rod holder in the back of the unit.
- Push actuator rod toward back of unit and line up with lock. Insert the actuator rod into the back of the lock.
- Test lock operation.
- Reinstall drawers.
- Reconnect power to the unit.

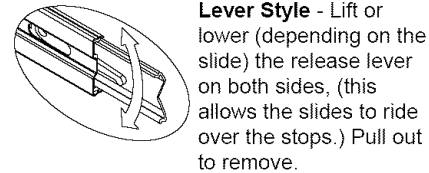
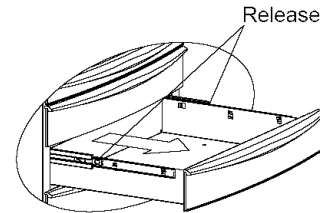


## DRAWER AND WORK SURFACE INSTALLATION AND REMOVAL

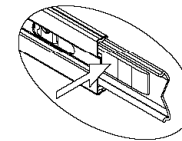
Note: For pull out work surface without task light, follow drawer removal instructions.

### DRAWER

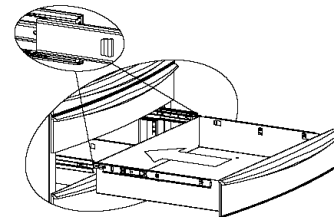
- Empty the drawer.
- Fully extend the drawer.



**Tab Style** - Depress the release tabs on both sides, (this allows the slides to ride over the stops.) Pull out to remove.



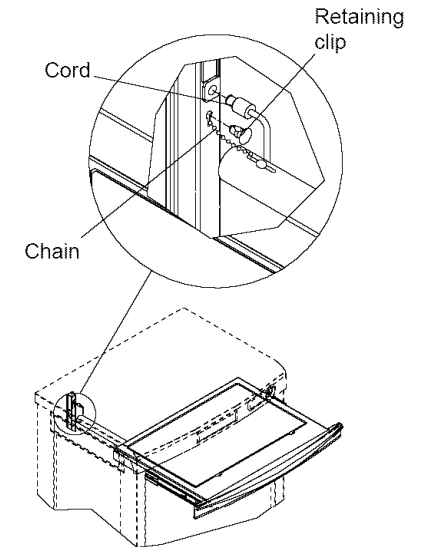
- To reinstall, carefully align the slides and push the drawer into the unit until the drawer stops.



### PULL OUT WORK SURFACE WITH TASK LIGHT Removal

- Disconnect the power from the unit.
- Remove enough drawers to gain access to connections in the back of the roll-away behind the work surface.

- Unplug work surface cord from back of roll-away.
- Remove and save back retaining clip.
- Disconnect chain inside back of roll-away. (Move chain toward large round part of slot. Pull out to remove.)
- Remove the work surface. (See drawer removal instructions.)



### Installation

- To reinstall, carefully align the slides and push the work surface into the unit until the work surface stops.
- Depress release tabs in back corners of the extendable work surface.
- Push the work surface into the unit to the fully retracted position.
- Extend work surface far enough to gain access to connections in back.
- Connect chain inside back of roll away. (Insert chain into the large round part of the slot. Slide chain to small end of slot.)
- Insert retaining clip to hold chain in place.
- Plug work surface cord into back of roll-away.
- Reconnect power to the unit. (See: Connecting power.)
- Check work surface and task lighting for proper operation.
- Reinstall drawers.



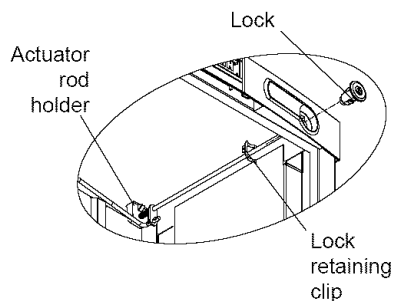
## LOCK REPLACEMENT

### Removal

- Disconnect power from unit.
- For roll-aways, remove work surface. (See drawer and work surface installation and removal)
- Remove enough drawers to reach the lock retaining clip behind the lock.
- Remove lock retaining clip. Pull lock out to remove.

### Installation

- Position lock in unit. Install retaining clip to hold lock in place.
- Make sure the back of the actuator rod is inserted into the actuator rod holder in the back of the unit.
- Push actuator rod toward back of unit and line up with lock. Insert the actuator rod into the back of the lock.
- Test lock operation.
- Reinstall drawers.

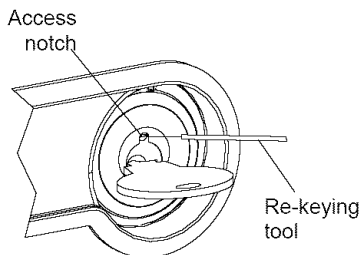


### Rekeying MASTERLOCK® ONE-KEY™ lock

The MASTERLOCK® ONE-KEY™ learning lock system allows the chest and cabinet to be keyed alike. The lock can also be keyed to most house keys.

- Insert current key and turn lock to the right until access notch appears at top of lock.
- Depress and hold catch through access notch using re-keying tool provided.
- Remove key.
- Insert new key.
- Release catch.
- Turn lock to center position.
- Remove key

Note: Catch must be depressed to insert or remove key in right hand position. Catch may be released between keys.

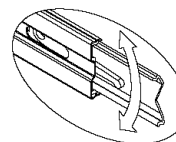
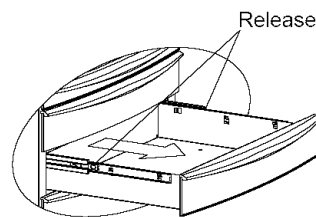


## DRAWER AND WORK SURFACE INSTALLATION AND REMOVAL

Note: For pull out work surface without task light, follow drawer removal instructions.

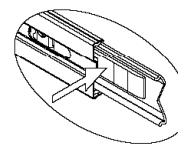
### DRAWER

- Empty the drawer.
- Fully extend the drawer.

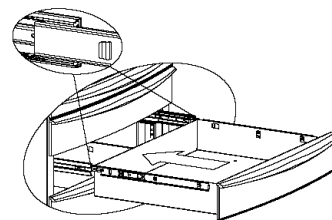


**Lever Style** - Lift or lower (depending on the slide) the release lever on both sides, (this allows the slides to ride over the stops.) Pull out to remove.

**Tab Style** - Depress the release tabs on both sides, (this allows the slides to ride over the stops.) Pull out to remove.



- To reinstall, carefully align the slides and push the drawer into the unit until the drawer stops.

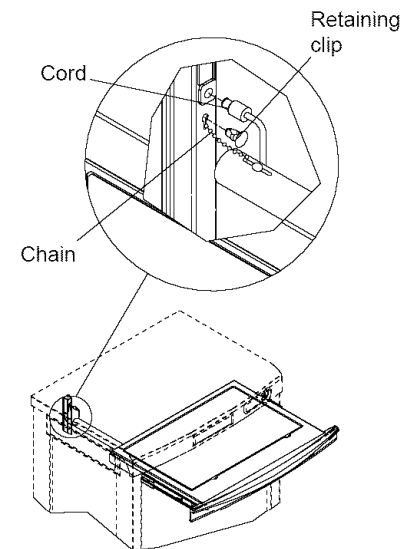


### PULL OUT WORK SURFACE WITH TASK LIGHT

#### Removal

- Disconnect the power from the unit.
- Remove enough drawers to gain access to connections in the back of the roll-away behind the work surface.

- Unplug work surface cord from back of roll-away.
- Remove and save back retaining clip.
- Disconnect chain inside back of roll-away. (Move chain toward large round part of slot. Pull out to remove.)
- Remove the work surface. (See drawer removal instructions.)



### Installation

- To reinstall, carefully align the slides and push the work surface into the unit until the work surface stops.
- Depress release tabs in back corners of the extendable work surface.
- Push the work surface into the unit to the fully retracted position.
- Extend work surface far enough to gain access to connections in back.
- Connect chain inside back of roll away. (Insert chain into the large round part of the slot. Slide chain to small end of slot.)
- Insert retaining clip to hold chain in place.
- Plug work surface cord into back of roll-away.
- Reconnect power to the unit. (See: Connecting power.)
- Check work surface and task lighting for proper operation.
- Reinstall drawers.





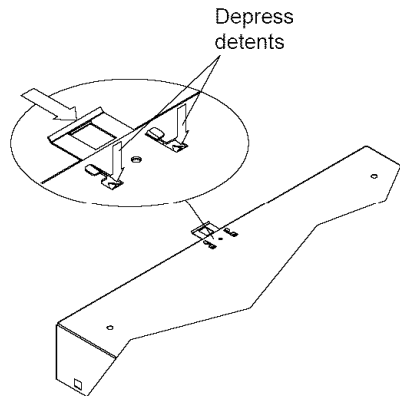
## STRIKER REPLACEMENT

### Tools Required:

Screwdriver

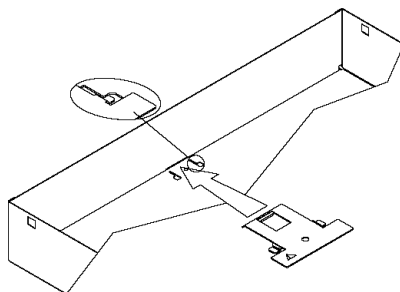
### Removal

- Remove drawer from unit.
- Turn drawer upside down.
- Depress (2) detents. Push striker in to remove.



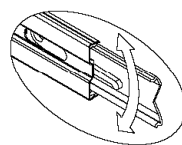
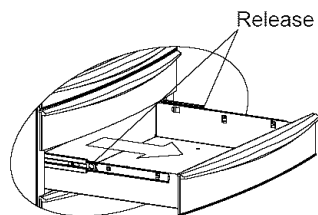
### Installation

- Turn drawer right side up.
- Position striker in drawer.
- Push striker toward back of drawer until striker snaps into place.
- Reinstall drawer.



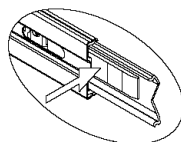
### Drawer installation and removal

- Empty the drawer.
- Fully extend the drawer.

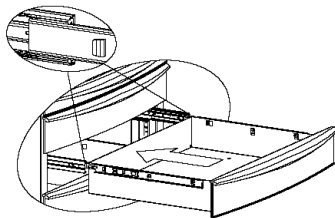


**Lever Style** - Lift or lower (depending on the slide) the release lever on both sides, (this allows the slides to ride over the stops.) Pull out to remove.

**Tab Style** - Depress the release tabs on both sides, (this allows the slides to ride over the stops.) Pull out to remove.



- To reinstall, carefully align the slides and push the drawer into the unit until the drawer stops.





## DRAWER FRONT REPLACEMENT

### Tools Required:

Crosstip screwdriver

### Removal

- Remove retaining screw(s).
- Slide drawer front assembly as indicated to unhook mounting tabs.
- Pull out to remove.

### Installation

- Position drawer front on drawer assembly.
- Insert mounting tabs into notches on drawer.
- Slide drawer front over to attach.
- Install retaining screw(s) to hold drawer front in place.

