

OPERATOR'S MANUAL

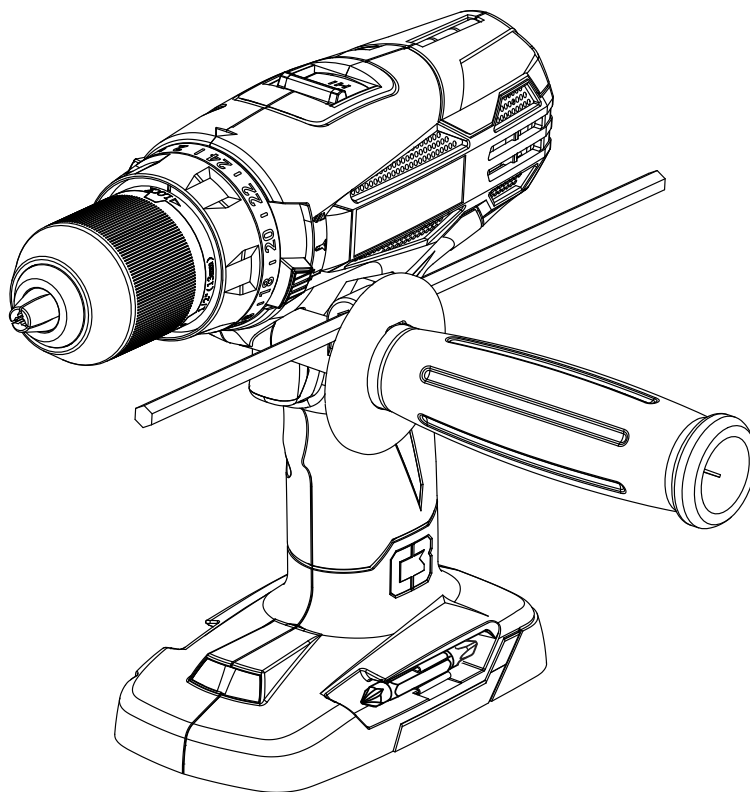
MANUAL DEL OPERADOR

CRAFTSMAN®

1/2 in. 19.2 VOLT HAMMER DRILL VARIABLE SPEED

TALADRO DE PERCUSIÓN DE 1/2 pulg. (13 mm), 19,2 V
VELOCIDAD VARIABLE

Model No.
315.HD2000
Número de modelo
315.HD2000



⚠ WARNING: To reduce the risk of injury, the user must read and understand the operator's manual before using this product.

⚠ ADVERTENCIA: Para reducir el riesgo de lesiones, el usuario debe leer y comprender el manual del operador antes de usar este producto.

**BATTERIES AND CHARGERS
SOLD SEPARATELY**

**LAS BATERÍAS Y LOS CARGADORES
SE VENDEN POR SEPARADO**

Customer Help Line: 1-800-932-3188
Teléfono de atención al consumidor: 1-800-932-3188

Sears Brands Management Corporation, 3333 Beverly Rd., Hoffman Estates, IL 60179 USA
Visit the Craftsman web page: www.sears.com/craftsman
Visite el sitio web de Craftsman: www.sears.com/craftsman

990000594
5-28-13 (REV:02)

**Save this manual for future reference
Guarde este manual para futuras consulta**



TABLE OF CONTENTS / ÍNDICE DE CONTENIDO

ENGLISH

■ Warranty.....	2
■ Introduction.....	2
■ General Power Tool Safety Warnings.....	3-4
■ Hammer Drill Safety Warnings.....	4
■ Symbols.....	5
■ Features.....	6
■ Assembly.....	7
■ Operation.....	7-10
■ Maintenance.....	11
■ Illustrated Parts List.....	12
■ Figure numbers (illustrations).....	i-iii
■ Parts Ordering / Service.....	Back Page

ESPAÑOL

■ Garantía.....	2
■ Introducción.....	2
■ Advertencias de seguridad para herramientas eléctricas.....	3-4
■ Advertencias de seguridad taladro de percusión.....	5
■ Símbolos.....	6
■ Características.....	7
■ Armado.....	8
■ Funcionamiento.....	8-11
■ Mantenimiento.....	12
■ Figura numeras (ilustraciones).....	i-iii
■ Pedidos de piezas / Servicio.....	Pág. posterior

WARRANTY / GARANTÍA

CRAFTSMAN® ONE YEAR LIMITED WARRANTY

FOR ONE YEAR from the date of purchase, this product is warranted against any defects in material or workmanship. With proof of purchase, defective product will be replaced free of charge.

For warranty coverage details to obtain free replacement, visit the web site: www.craftsman.com

This warranty does not cover the bits, which are expendable parts that can wear out from normal use within the warranty period.

This warranty is void if this product is ever used while providing commercial services or if rented to another person.

This warranty gives you specific legal rights, and you may also have other rights which vary from state to state.

Sears Brands Management Corporation, Hoffman Estates, IL 60179

* * *

GARANTÍA LIMITADA DE CRAFTSMAN POR UN AÑO

Este producto tiene garantía por cualquier defecto en material o mano de obra DURANTE UN AÑO desde la fecha de compra. Los productos defectuosos se reemplazarán sin cargo si presenta un comprobante de pago.

Si desea conocer los detalles de la cobertura de la garantía para conseguir reparaciones o recambios, visite el sitio Web: www.craftsman.com

Esta garantía no cubre las brocas, que es una pieza fungible que puede desgastarse por el uso normal durante el período de garantía.

La garantía pierde validez si este producto se utiliza mientras se prestan servicios comerciales o si se alquila a otra persona.

Esta garantía le otorga derechos legales específicos y también puede gozar de otros derechos que varían según el estado.

Sears Brands Management Corporation, Hoffman Estates, IL 60179

INTRODUCTION / INTRODUCCIÓN

This tool has many features for making its use more pleasant and enjoyable. Safety, performance, and dependability have been given top priority in the design of this product making it easy to maintain and operate.

* * *

Esta herramienta ofrece numerosas características para hacer más agradable y placentero su uso. En el diseño de este producto se ha conferido prioridad a la seguridad, el desempeño y la fiabilidad, por lo cual se facilita su manejo y mantenimiento.

GENERAL POWER TOOL SAFETY WARNINGS

⚠ WARNING Read all safety warnings and all instructions. Failure to follow the warnings and instructions may result in electric shock, fire and/or serious injury.

Save all warnings and instructions for future reference.

The term “power tool” in the warnings refers to your mains-operated (corded) power tool or battery-operated (cordless) power tool.

WORK AREA SAFETY

- **Keep work area clean and well lit.** Cluttered or dark areas invite accidents.
- **Do not operate power tools in explosive atmospheres, such as in the presence of flammable liquids, gases or dust.** Power tools create sparks which may ignite the dust or fumes.
- **Keep children and bystanders away while operating a power tool.** Distractions can cause you to lose control.

ELECTRICAL SAFETY

- **Power tool plugs must match the outlet. Never modify the plug in any way. Do not use any adapter plugs with earthed (grounded) power tools.** Unmodified plugs and matching outlets will reduce risk of electric shock.
- **Avoid body contact with earthed or grounded surfaces such as pipes, radiators, ranges and refrigerators.** There is an increased risk of electric shock if your body is earthed or grounded.
- **Do not expose power tools to rain or wet conditions.** Water entering a power tool will increase the risk of electric shock.
- **Do not abuse the cord. Never use the cord for carrying, pulling or unplugging the power tool. Keep cord away from heat, oil, sharp edges or moving parts.** Damaged or entangled cords increase the risk of electric shock.
- **When operating a power tool outdoors, use an extension cord suitable for outdoor use.** Use of a cord suitable for outdoor use reduces the risk of electric shock.
- **If operating a power tool in a damp location is unavoidable, use a ground fault circuit interrupter (GFCI) protected supply.** Use of a GFCI reduces the risk of electric shock.
- **Use battery only with charger listed. For use with 19.2V nickel-cadmium and 19.2V lithium-ion battery packs, see tool/appliance/battery pack/charger correlation supplement 988000-272.**

PERSONAL SAFETY

- **Stay alert, watch what you are doing and use common sense when operating a power tool. Do not use a power tool while you are tired or under the influ-**

ence of drugs, alcohol or medication. A moment of inattention while operating power tools may result in serious personal injury.

- **Use personal protective equipment. Always wear eye protection.** Protective equipment such as dust mask, non-skid safety shoes, hard hat, or hearing protection used for appropriate conditions will reduce personal injuries.
- **Prevent unintentional starting. Ensure the switch is in the off-position before connecting to power source and/or battery pack, picking up or carrying the tool.** Carrying power tools with your finger on the switch or energising power tools that have the switch on invites accidents.
- **Remove any adjusting key or wrench before turning the power tool on.** A wrench or a key left attached to a rotating part of the power tool may result in personal injury.
- **Do not overreach. Keep proper footing and balance at all times.** This enables better control of the power tool in unexpected situations.
- **Dress properly. Do not wear loose clothing or jewellery. Keep your hair, clothing and gloves away from moving parts.** Loose clothes, jewellery or long hair can be caught in moving parts.
- **If devices are provided for the connection of dust extraction and collection facilities, ensure these are connected and properly used.** Use of dust collection can reduce dust-related hazards.
- **Do not wear loose clothing or jewelry. Contain long hair.** Loose clothes, jewelry, or long hair can be drawn into air vents.
- **Do not use on a ladder or unstable support.** Stable footing on a solid surface enables better control of the power tool in unexpected situations.

POWER TOOL USE AND CARE

- **Do not force the power tool. Use the correct power tool for your application.** The correct power tool will do the job better and safer at the rate for which it was designed.
- **Do not use the power tool if the switch does not turn it on and off.** Any power tool that cannot be controlled with the switch is dangerous and must be repaired.
- **Disconnect the plug from the power source and/or the battery pack from the power tool before making any adjustments, changing accessories, or storing power tools.** Such preventive safety measures reduce the risk of starting the power tool accidentally.
- **Store idle power tools out of the reach of children and do not allow persons unfamiliar with the power tool or these instructions to operate the power tool.** Power tools are dangerous in the hands of untrained users.
- **Maintain power tools. Check for misalignment or binding of moving parts, breakage of parts and any other**

GENERAL POWER TOOL SAFETY WARNINGS

condition that may affect the power tool's operation. If damaged, have the power tool repaired before use. Many accidents are caused by poorly maintained power tools.

- **Keep cutting tools sharp and clean.** Properly maintained cutting tools with sharp cutting edges are less likely to bind and are easier to control.
- **Use the power tool, accessories and tool bits etc. in accordance with these instructions, taking into account the working conditions and the work to be performed.** Use of the power tool for operations different from those intended could result in a hazardous situation.

BATTERY TOOL USE AND CARE

- **Recharge only with the charger specified by the manufacturer.** A charger that is suitable for one type of battery pack may create a risk of fire when used with another battery pack.
- **Use power tools only with specifically designated battery packs.** Use of any other battery packs may create a risk of injury and fire.

- **When battery pack is not in use, keep it away from other metal objects, like paper clips, coins, keys, nails, screws or other small metal objects, that can make a connection from one terminal to another.** Shorting the battery terminals together may cause burns or a fire.
- **Under abusive conditions, liquid may be ejected from the battery; avoid contact. If contact accidentally occurs, flush with water. If liquid contacts eyes, additionally seek medical help.** Liquid ejected from the battery may cause irritation or burns.

SERVICE




- **Have your power tool serviced by a qualified repair person using only identical replacement parts.** This will ensure that the safety of the power tool is maintained.
- **When servicing a power tool, use only identical replacement parts. Follow instructions in the Maintenance section of this manual.** Use of unauthorized parts or failure to follow Maintenance instructions may create a risk of shock or injury.

HAMMER DRILL SAFETY WARNINGS






- **Wear ear protectors when impact drilling.** Exposure to noise can cause hearing loss.
- **Use auxiliary handle(s), if supplied with the tool.** Loss of control can cause personal injury.
- **Hold power tool by insulated gripping surfaces, when performing an operation where the cutting accessory may contact hidden wiring.** Cutting accessory contacting a "live" wire may make exposed metal parts of the power tool "live" and could give the operator an electric shock.
- **Know your power tool. Read operator's manual carefully. Learn its applications and limitations, as well as the specific potential hazards related to this power tool.** Following this rule will reduce the risk of electric shock, fire, or serious injury.
- **Always wear eye protection with side shields marked to comply with ANSI Z87.1 when assembling parts, operating the tool, or performing maintenance.** Following this rule will reduce the risk of serious personal injury.
- **Protect your lungs. Wear a face or dust mask if the operation is dusty.** Following this rule will reduce the risk of serious personal injury.
- **Protect your hearing. Wear hearing protection during extended periods of operation.** Following this rule will reduce the risk of serious personal injury.
- **Battery tools do not have to be plugged into an electrical outlet; therefore, they are always in operating condition. Be aware of possible hazards when not using your battery tool or when changing accessories.** Following this rule will reduce the risk of electric shock, fire, or serious personal injury.
- **Do not place battery tools or their batteries near fire or heat.** This will reduce the risk of explosion and possibly injury.
- **Do not crush, drop or damage battery pack. Do not use a battery pack or charger that has been dropped or received a sharp blow.** A damaged battery is subject to explosion. Properly dispose of a dropped or damaged battery immediately.
- **Batteries can explode in the presence of a source of ignition, such as a pilot light.** To reduce the risk of serious personal injury, never use any cordless product in the presence of open flame. An exploded battery can propel debris and chemicals. If exposed, flush with water immediately.
- **Do not charge battery tool in a damp or wet location.** Following this rule will reduce the risk of electric shock.
- **For best results, your battery tool should be charged in a location where the temperature is more than 50°F but less than 100°F.** To reduce the risk of serious personal injury, do not store outside or in vehicles.
- **Under extreme usage or temperature conditions, battery leakage may occur. If liquid comes in contact with your skin, wash immediately with soap and water. If liquid gets into your eyes, flush them with clean water for at least 10 minutes, then seek immediate medical attention.** Following this rule will reduce the risk of serious personal injury.
- **Save these instructions.** Refer to them frequently and use them to instruct others who may use this tool. If you loan someone this tool, loan them these instructions also.

SYMBOLS

The following signal words and meanings are intended to explain the levels of risk associated with this product.

SYMBOL	SIGNAL	MEANING
	DANGER:	Indicates an imminently hazardous situation, which, if not avoided, will result in death or serious injury.
	WARNING:	Indicates a potentially hazardous situation, which, if not avoided, could result in death or serious injury.
	CAUTION:	Indicates a potentially hazardous situation, which, if not avoided, may result in minor or moderate injury.
	NOTICE:	(Without Safety Alert Symbol) Indicates important information not related to an injury hazard, such as a situation that may result in property damage.

Some of the following symbols may be used on this product. Please study them and learn their meaning. Proper interpretation of these symbols will allow you to operate the product better and safer.

SYMBOL	NAME	DESIGNATION/EXPLANATION
	Safety Alert	Indicates a potential personal injury hazard.
	Read Operator's Manual	To reduce the risk of injury, user must read and understand operator's manual before using this product.
	Eye Protection	Always wear eye protection with side shields marked to comply with ANSI Z87.1.
	Wet Conditions Alert	Do not expose to rain or use in damp locations.
	Recycle Symbols	This product uses nickel-cadmium (Ni-Cd) and lithium-ion (Li-ion) batteries. Local, state or federal laws may prohibit disposal of batteries in ordinary trash. Consult your local waste authority for information regarding available recycling and/or disposal options.
V	Volts	Voltage
min	Minutes	Time
—	Direct Current	Type or a characteristic of current
n_0	No Load Speed	Rotational speed, at no load
.../min	Per Minute	Revolutions, strokes, surface speed, orbits etc., per minute

FEATURES

PRODUCT SPECIFICATIONS

Chuck 1/2 in. Keyless
Motor 19.2 V, DC
Switch Variable Speed
No Load Speed 0-375/0-1,600 r/min (RPM)

Hammer Speed 0-5,600/0-24,000 BPM*
Clutch 24 Position
Torque up to 465 in.lb.
*Blows Per Minute

KNOW YOUR HAMMER DRILL

See Figure 1, page i.

The safe use of this product requires an understanding of the information on the tool and in this operator's manual as well as a knowledge of the project you are attempting. Before use of this product, familiarize yourself with all operating features and safety rules.

AUXILIARY HANDLE

Your drill is equipped with an auxiliary handle for ease of operation and to prevent loss of control.

BIT STORAGE

Bits provided with the drill can be placed in the storage area, located on the base of the drill.

BLOWS PER MINUTE

This tool features an impact speed of 0-5,600/0-24,000 BPM (Blows Per Minute). Blows Per Minute is the number of impacts per minute.

DEPTH STOP ROD

A depth stop rod has been supplied with this product to assist in controlling the depth of drilled holes.

DIRECTION OF ROTATION SELECTOR (FORWARD/REVERSE/CENTER LOCK)

Your drill has a direction of rotation (forward/reverse/center lock) selector located above the switch trigger for changing the direction of bit rotation. Setting the switch trigger in the OFF (center lock) position helps reduce the possibility of accidental starting when not in use.

KEYLESS CHUCK

The keyless chuck allows you to hand-tighten or release the drill bit in the chuck jaws.

LEVEL

The level is located on the top of the motor housing to help keep the drill bit level during use.

QUICK MODE SELECTOR

The mode selector allows for full torque, hammer drilling, and the ability to drive screws with user adjusted torque.

TORQUE ADJUSTMENT RING

Your drill has a 24-position clutch. The torque adjustment ring can be turned to select the right amount of torque for the application.


TWO-SPEED GEAR TRAIN

The two-speed gear train is designed for drilling or driving at **LO (1)** or **HI (2)** speeds. A slide switch is located on top of the drill for selecting either **LO (1)** or **HI (2)** speed.

VARIABLE SPEED

The switch trigger delivers higher speed with increased trigger pressure and lower speed with decreased trigger pressure.

CALIFORNIA PROPOSITION 65

 **WARNING:** This product and some dust created by power sanding, sawing, grinding, drilling, and other construction activities may contain chemicals, including lead, known to the State of California to cause cancer, birth defects, or other reproductive harm. **Wash hands after handling.**

Some examples of these chemicals are:

- lead from lead-based paints,
- crystalline silica from bricks and cement and other masonry products and,
- arsenic and chromium from chemically treated lumber.


Your risk from exposure to these chemicals varies, depending on how often you do this type of work. To reduce your exposure, work in a well-ventilated area and with approved safety equipment, such as dust masks that are specially designed to filter out microscopic particles.

ASSEMBLY

UNPACKING

This product requires assembly.


- Carefully remove the tool and any accessories from the box. Make sure that all items listed in the packing list are included.


 **WARNING:** Do not use this product if it is not completely assembled or if any parts appear to be missing or damaged. Use of a product that is not properly and completely assembled could result in serious personal injury.


- Inspect the tool carefully to make sure no breakage or damage occurred during shipping.
- Do not discard the packing material until you have carefully inspected and satisfactorily operated the tool.
- If any parts are damaged or missing, please call 1-800-932-3188 for assistance.

PACKING LIST

Hammer Drill with Auxiliary Handle Assembly
Depth Stop Rod
Bits
Operator's Manual


 **WARNING:** If any parts are damaged or missing do not operate this tool until the damaged or missing parts are replaced. Use of this product with damaged or missing parts could result in serious personal injury.

 **WARNING:** Do not attempt to modify this tool or create accessories not recommended for use with this tool. Any such alteration or modification is misuse and could result in a hazardous condition leading to possible serious personal injury.

 **WARNING:** To prevent accidental starting that could cause serious personal injury, always remove the battery pack from the tool when assembling parts.

INSTALLING AUXILIARY HANDLE ASSEMBLY


See Figure 2, page i.


 **WARNING:** Always use the auxiliary handle when using this tool to help resist torque reactions. Binding or stalling of this product could lead to serious personal injury.


An auxiliary handle is packed with the drill for ease of operation and to help prevent loss of control.


- Insert and push screw all the way through slot on drill.
- Attach plate and auxiliary handle to screw and tighten.
- Insert end of depth stop rod into depth stop rod slot on the back of the plate.

OPERATION

 **WARNING:** Do not allow familiarity with tools to make you careless. Remember that a careless fraction of a second is sufficient to inflict serious injury.

 **WARNING:** Always remove battery pack from the tool when you are assembling parts, making adjustments, cleaning, or when not in use. Removing battery pack will prevent accidental starting that could cause serious personal injury.

 **WARNING:** Always wear eye protection with side shields marked to comply with ANSI Z87.1. Failure to do so could result in objects being thrown into your eyes, resulting in possible serious injury.

 **WARNING:** Do not use any attachments or accessories not recommended by the manufacturer of this tool. The use of attachments or accessories not recommended can result in serious personal injury.

APPLICATIONS

You may use this tool for the following purposes:

- Hammer drilling in concrete, brick, or other masonry
- Drilling in all types of wood products (lumber, plywood, paneling, composition board, and hard board), ceramics, plastics, fiberglass, laminates, and metals; driving screws into wood and drywall with screwdriver bits.

OPERATION

VARIABLE SPEED SWITCH TRIGGER

See Figure 3, page ii.

The variable speed switch trigger delivers higher speed with increased trigger pressure and lower speed with decreased trigger pressure.

To turn the drill **ON**, depress the switch trigger. To turn it **OFF**, release the switch trigger and allow the chuck to come to a complete stop.

NOTE: A whistling or ringing noise coming from the switch during use is a normal part of the switch function.

Avoid running the drill at low speeds for extended periods of time. Running at low speeds under constant usage may cause the drill to become overheated. If this occurs, cool the drill by running it without a load and at full speed.

DIRECTION OF ROTATION SELECTOR (FORWARD/REVERSE/CENTER LOCK)


See Figure 4, page ii.

NOTICE: To prevent gear damage, always allow the chuck to come to a complete stop before changing the direction of rotation.

Set the direction of rotation selector in the **OFF** (center lock) position to lock the switch trigger and help prevent accidental starting when not in use.

Position the direction of rotation selector to the left of the switch trigger for forward drilling. Position the selector to the right of the switch trigger to reverse the direction.

NOTE: The drill will not run unless the direction of rotation selector is pushed fully to the left or right.

 **WARNING:** Battery tools are always in operating condition. Lock the switch when not in use or carrying at your side, when installing or removing the battery pack, and when installing or removing bits.

INSTALLING/REMOVING BATTERY PACK

See Figure 5, page ii.

- Lock the switch trigger.
- Insert the battery pack into the product as shown.
- Make sure the latches on each side of the battery pack snap in place and that battery pack is secured in the product before beginning operation.
- Depress the latches to remove the battery pack.


INSTALLING/REMOVING BITS

See Figures 9 - 10, page ii.


The arrows on the keyless chuck indicate which direction to rotate the chuck body to tighten or release the drill bit.

Do not use a wrench to tighten or loosen the chuck jaws.

- **To install bits**, lock the switch trigger.
- Open or close the chuck jaws until the opening is slightly larger than the bit size you intend to use.
- Raise the front of the drill slightly and insert the drill bit.

 **WARNING:** Make sure to insert the drill bit straight into the chuck jaws. Do not insert the drill bit into the chuck jaws at an angle, then tighten. This could cause the drill bit to be thrown from the drill, resulting in possible serious personal injury or damage to the chuck.

- Rotate the chuck body to close and tighten the chuck jaws.

 **WARNING:** Do not hold the chuck body with one hand and use the power of the drill to tighten the chuck jaws on the drill bit. The chuck body could slip in your hand, or your hand could slip and come in contact with the rotating drill bit. This could cause an accident resulting in serious personal injury.

- **To remove bits**, lock the switch trigger and open the chuck jaws.
- The bits provided with the drill can be placed in the bit storage area, located on the base of the drill.

USING THE AUXILIARY HANDLE ASSEMBLY

See Figures 9 - 10, page ii.

An auxiliary handle is packed with the drill for ease of operation and to help prevent loss of control. The handle can be mounted on the opposite side for left hand use.

Be sure the auxiliary handle is securely tightened against the depth gauge clamp. This secures the depth stop rod at the desired depth of cut. It also secures the auxiliary handle.

NOTE: For convenience and ease of starting threads, the hex nut has been trapped inside the molded slot in the auxiliary handle.

The depth stop rod helps control the depth of drilled holes.

NOTE: When properly installed, the teeth on the depth stop rod should be aligned with the teeth indicator on the depth gauge clamp.

Adjust the depth stop rod so that the drill bit extends beyond the end of the rod to the required drilling depth.

OPERATION

When drilling holes with the depth stop rod installed, the desired hole depth has been reached when the end of the rod comes in contact with the surface of the workpiece.

ADJUSTING THE AUXILIARY HANDLE ASSEMBLY

See Figure 9, page ii.

- Loosen the auxiliary handle assembly by turning the knob counterclockwise.
- Rotate the auxiliary handle assembly to the desired location.
- Tighten the auxiliary handle assembly securely by turning the knob clockwise.

ADJUSTING THE DEPTH STOP ROD

See Figure 10, page ii.

- Lock the switch trigger by placing the direction of rotation selector in the center position.
- Loosen the auxiliary handle assembly by turning the knob counterclockwise.
- Adjust the depth stop rod so that the drill bit extends beyond the end of the rod to the required drilling depth.
- Tighten the auxiliary handle assembly by turning the knob clockwise.

TWO-SPEED GEAR TRAIN (HI-LO SWITCH)



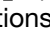
See Figure 11, page ii.

- Select **LO (1)** speed for applications requiring higher power and torque.
- Select **HI (2)** speed for fast drilling or driving applications.

NOTICE: Never change speeds while the tool is running. Failure to obey this caution could result in serious damage to the drill.

ADJUSTABLE TORQUE CLUTCH

See Figure 12, page ii.

This product is equipped with an adjustable torque clutch for driving different types of screws into different materials. To use the torque settings, rotate the mode selector to the screw () setting. (The hammer mode () and drill mode () are for full torque operations.) The proper setting depends on the type of material and the application.

ADJUSTING TORQUE


See Figure 12, page ii.

Use carbide-tipped bits and select hammer mode when drilling in hard materials such as brick, concrete, etc.

Use carbide-tipped bits and select drill mode when drilling in materials with hard, brittle surfaces such as tile, etc.

Use twist drills, hole saws, etc. and drill mode when drilling in soft materials.


Rotate the adjustment ring to the proper torque setting for the type of material and size of screw you are using.

- 1 - 4 For driving small screws
- 5 - 8 For driving screws into soft material
- 9 - 12 For driving screws into soft and hard materials
- 13 - 16 For driving screws into hard wood
- 17 - 23 For driving large screws
-  For heavy drilling

DRILLING/DRIVING SCREWS

See Figures 12 - 13, page iii.

A level is located on the top of the motor housing to help keep the drill bit level during use.

- Install the auxiliary handle.
- Rotate mode selector to the screw () setting.
- Check the direction of rotation selector for the correct setting (forward or reverse).
- Use **LO (1)** speed for high torque applications and **HI (2)** speed for fast drilling or driving applications. Refer to *Two-Speed Gear Train* and *Adjusting Torque*.
- Secure the workpiece in a vise or with clamps to keep it from turning as the bit rotates.
- Hold the drill firmly and place the bit at the point to be drilled, or where the screw is to be driven.



WARNING: Do not drive a screw where there is likely to be hidden wiring behind the surface. Contact with a “live” wire will make exposed metal parts of the tool “live” and possibly shock the operator. If you must drive a screw where hidden wire may be present, always hold tool by insulated gripping surfaces (handle) when performing the operation to prevent a shock to the operator.

- Depress the switch trigger to start the drill.
- Move the bit into the workpiece, applying only enough pressure to keep the bit cutting or driving the screw. Do not force the drill or apply side pressure to elongate a hole. Let the tool do the work.

OPERATION

⚠ WARNING: When drilling, be prepared for binding at bit breakthrough. When these situations occur, drill has a tendency to grab and kick opposite to the direction of rotation and could cause loss of control when breaking through material. If not prepared, this loss of control can result in possible serious injury.

- With hard, smooth surfaces, use a center punch to mark the desired hole location. This will prevent the bit from slipping off-center as the hole is started.
- If the bit jams in the workpiece or if the drill stalls, stop the tool immediately. Remove the bit from the workpiece and determine the reason for jamming.

NOTE: This drill has an electric brake. When the switch trigger is released, the chuck stops turning. When the brake is functioning properly, sparks will be visible through the vent slots on the housing. This is normal and is the action of the brake.

WOOD AND METAL DRILLING

For maximum performance, use high speed steel bits for wood or metal drilling. Select drilling mode. Begin drilling at a very low speed to prevent the bit from slipping off the starting point.

Wood Drilling

- Increase the speed as the drill bit bites into the material.
- When drilling through holes, place a block of wood behind the workpiece to prevent ragged or splintered edges on the back side of the hole.

Metal and Steel Drilling


- Use a light oil on the drill bit to keep it from overheating. The oil will prolong the life of the bit and increase the drilling action.
- Maintain a speed and pressure which allows cutting without overheating the bit. Applying too much pressure will:
 - Overheat the drill;
 - Wear the bearings;
 - Bend or burn bits; and
 - Produce off-center or irregular-shaped holes.
- When drilling large holes in metal, start with a small bit, then finish with a larger bit.


MASONRY DRILLING


For maximum performance, use carbide-tipped masonry impact bits or designated hammer drill bits when drilling holes in brick, concrete, etc. Select hammer mode.

- Apply light pressure at medium speed for best results in brick.
- Apply additional pressure for hard materials such as concrete.
- When drilling holes in tile, practice on a scrap piece to determine the best speed and pressure. Begin drilling at a very low speed to prevent the bit from slipping off the starting point.

MAINTENANCE


 **WARNING:** When servicing, use only identical Craftsman replacement parts. Use of any other part can create a hazard or cause product damage.

 **WARNING:** Always wear eye protection with side shields marked to comply with ANSI Z87.1. Failure to do so could result in objects being thrown into your eyes, resulting in possible serious injury.

 **WARNING:** To avoid serious personal injury, always remove the battery pack from the tool when cleaning or performing any maintenance.


GENERAL MAINTENANCE

Avoid using solvents when cleaning plastic parts. Most plastics are susceptible to damage from various types of commercial solvents and may be damaged by their use. Use clean cloths to remove dirt, dust, oil, grease, etc.

 **WARNING:** Do not at any time let brake fluids, gasoline, petroleum-based products, penetrating oils, etc. come in contact with plastic parts. Chemicals can damage, weaken or destroy plastic which can result in serious personal injury.

Only the parts shown on the parts list are intended to be repaired or replaced by the customer. All other parts should be replaced at a Sears Service Center.

BATTERY PACK REMOVAL AND PREPARATION FOR RECYCLING

 **WARNING:** Upon removal, cover the battery pack's terminals with heavy-duty adhesive tape. Do not attempt to destroy or disassemble battery pack or remove any of its components. Lithium-ion and nickel-cadmium batteries must be recycled or disposed of properly. Also, never touch both terminals with metal objects and/or body parts as short circuit may result. Keep away from children. Failure to comply with these warnings could result in fire and/or serious injury.

CHUCK REMOVAL

See Figures 14 - 16, page iii.

The chuck may be removed and replaced by a new one.

- Lock the switch trigger by placing the direction of rotation selector in center position.
- Insert a 5/16 in. or larger hex key into the chuck of the drill and tighten the chuck jaws securely.
- Tap the hex key sharply with a mallet in a clockwise direction. This will loosen the screw in the chuck for easy removal.
- Open the chuck jaws and remove the hex key. Using a screwdriver, remove the chuck screw by turning it in a clockwise direction.

NOTE: The chuck screw has left hand threads.

- Insert the hex key into the chuck and tighten the chuck jaws securely. Tap sharply with a mallet in a counter-clockwise direction. This will loosen the chuck on the spindle. It can now be unscrewed by hand.

TO RETIGHTEN A LOOSE CHUCK

The chuck may become loose on the spindle and develop a wobble. Also, the chuck screw may become loose, causing the chuck jaws to bind and prevent them from closing.

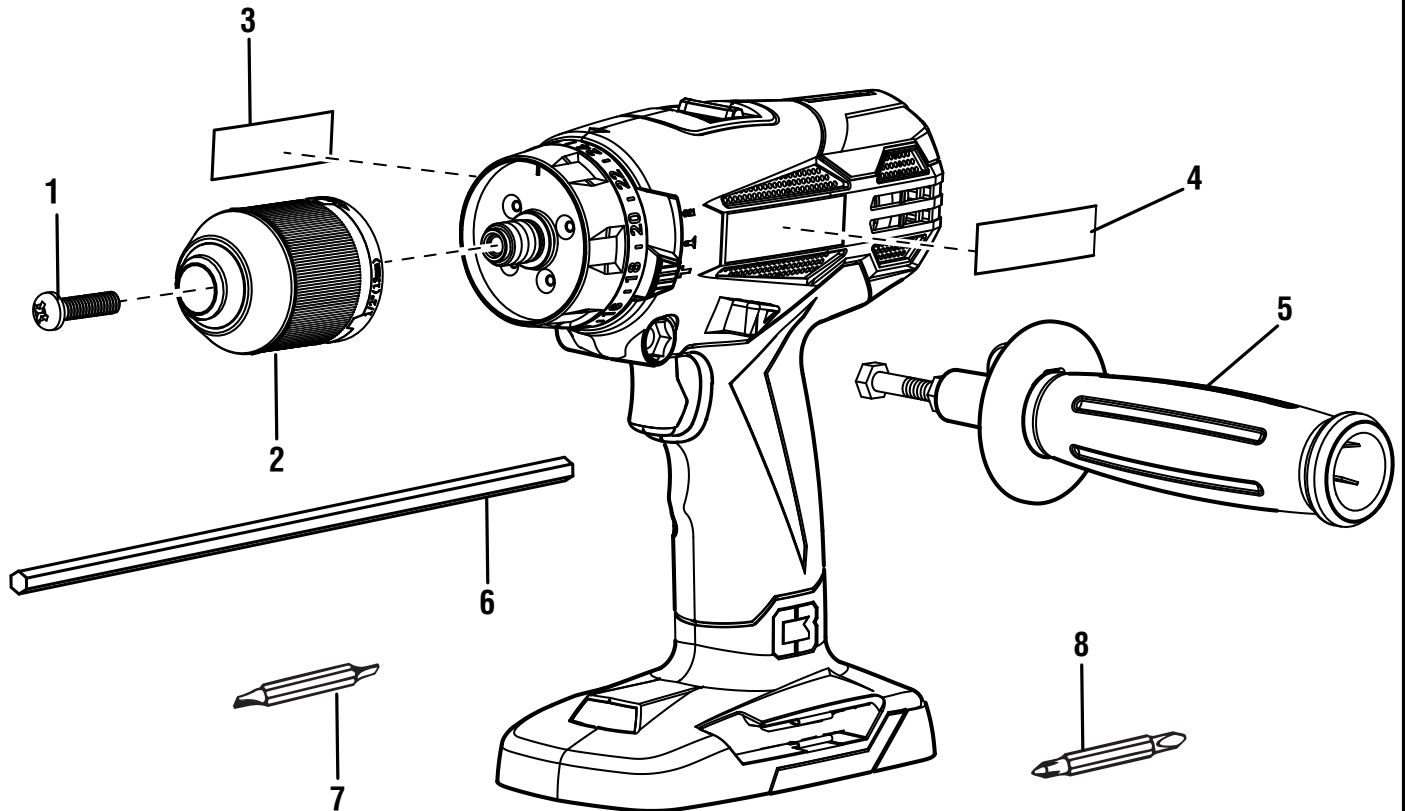
To tighten:

- Lock the switch trigger by placing the direction of rotation selector in the center position.
- Open the chuck jaws.
- Insert the hex key into the chuck and tighten the chuck jaws securely. Tap the hex key sharply with a mallet in a clockwise direction. This will tighten the chuck on the spindle.
- Open the chuck jaws and remove the hex key.
- Tighten the chuck screw.

CRAFTSMAN 19.2V CORDLESS HAMMER DRILL - 315.HD2000

The model number will be found on a label attached to the motor housing. Always mention the model number in all correspondence regarding your **HAMMER DRILL** or when ordering repair parts.

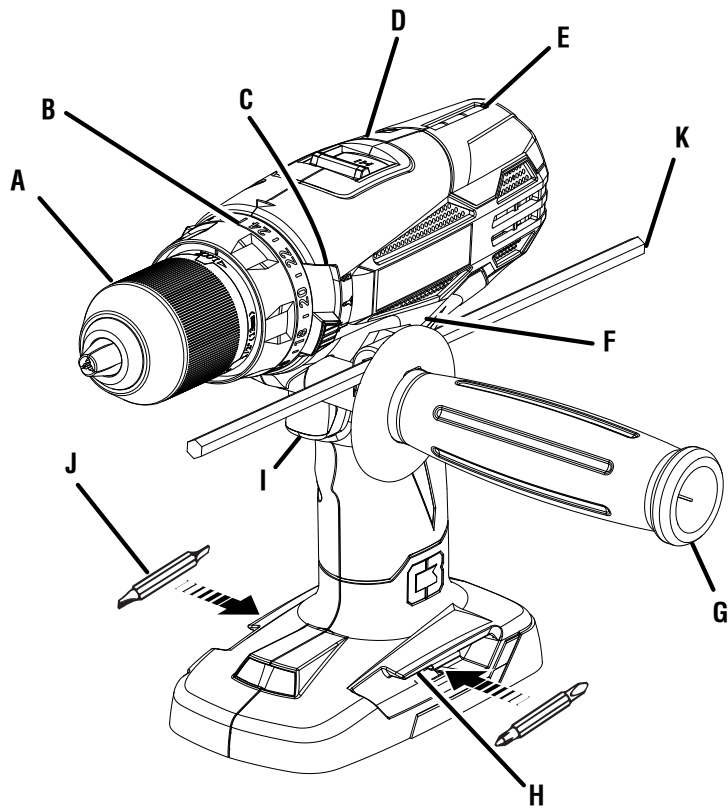
SEE BACK PAGE FOR PARTS ORDERING INSTRUCTIONS



PARTS LIST

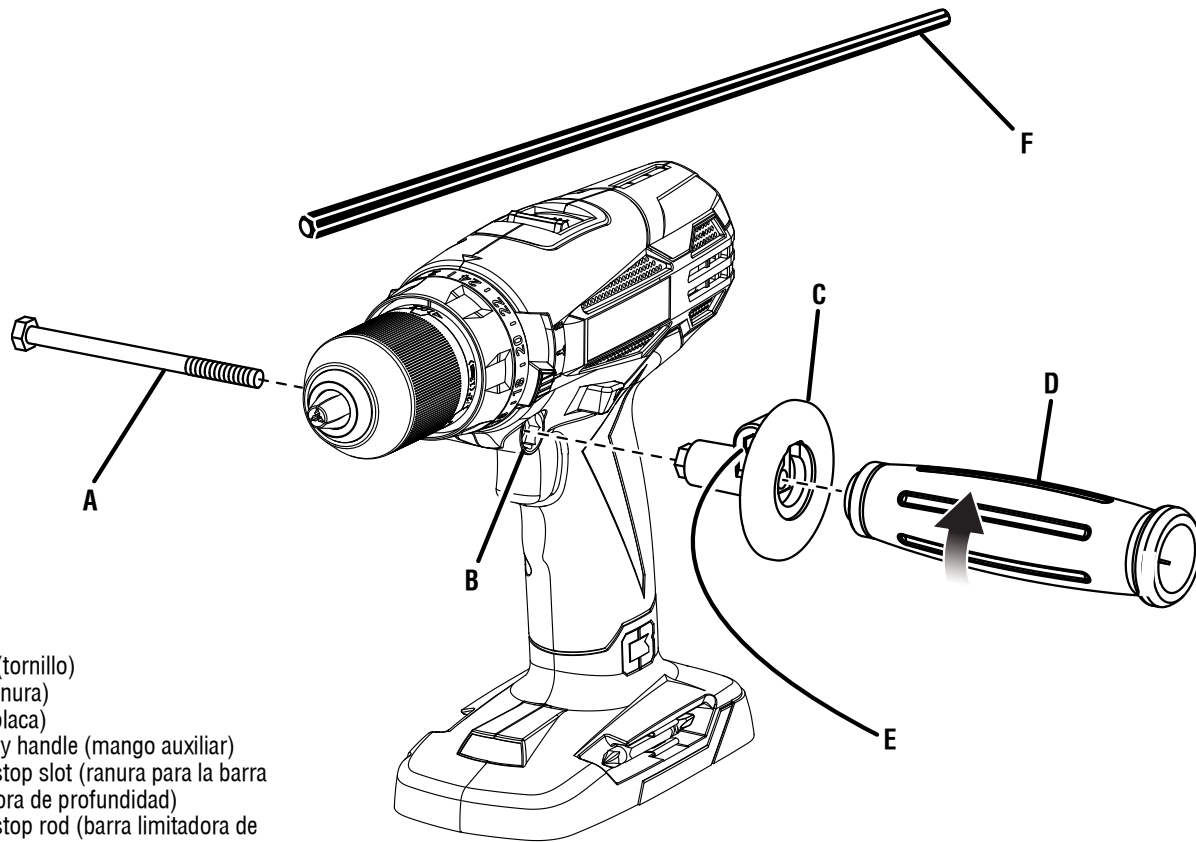
Key No.	Part Number	Description	Qty
1	660134006	Chuck Screw (Special, Left Hand Thread).....	1
2	681021008	Chuck.....	1
3	941003166	Data Plate	1
4	941002030	Logo Plate.....	1
5	306033001	Auxiliary Handle Assembly (Inc. Key No. 6).....	1
6	630412010	Depth Stop Rod.....	1
7	6782405	Double Ended Bit (#6 Slotted and #7 Slotted).....	1
8	6782106	Double Ended Bit (#2 Phillips and #3 Phillips).....	1
	990000594	Operator's Manual	

Fig. 1



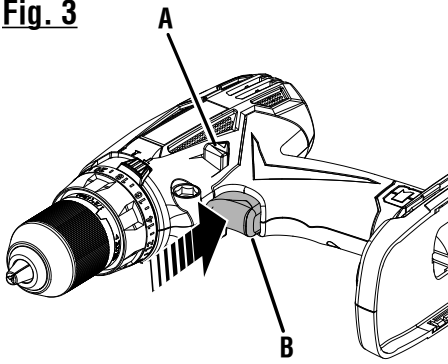
- A - Keyless chuck (portabrocas de apriete sin llave)
- B - Torque adjustment ring (anillo de ajuste de fuerza de torsión)
- C - Quick mode selector (selector de modalidad rápido)
- D - Two-speed gear train (Hi-Lo) [engranaje de dos velocidades (alta-baja)]
- E - Level (nivel)
- F - Direction of rotation selector (forward/reverse/center lock) [selector del sentido de rotación (marcha adelante/atrás/seguro en el centro)]
- G - Auxiliary handle assembly (conjunto del mango auxiliar)
- H - Bit storage (compartimiento para brocas)
- I - Switch trigger (gatillo del interruptor)
- J - Screwdriver bits (brocas de destornillador)
- K - Depth stop rod (barra limitadora de profundidad)

Fig. 2



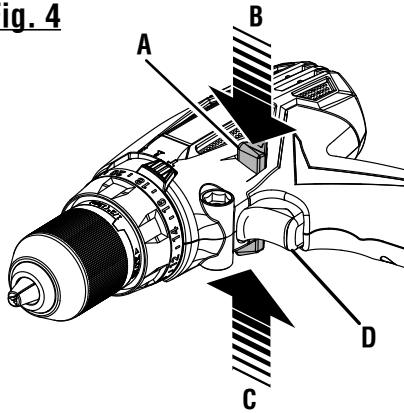
- A - Screw (tornillo)
- B - Slot (ranura)
- C - Plate (placa)
- D - Auxiliary handle (mango auxiliar)
- E - Depth stop slot (ranura para la barra limitadora de profundidad)
- F - Depth stop rod (barra limitadora de profundidad)

Fig. 3



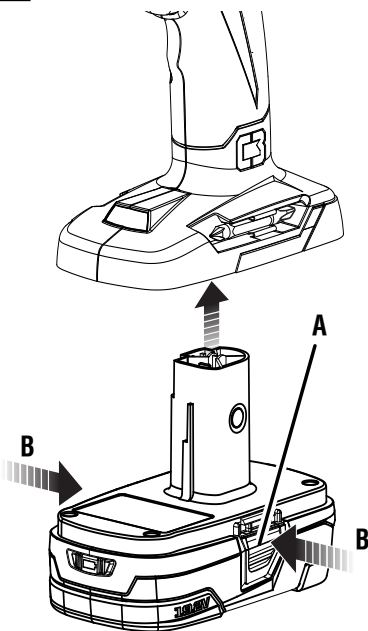
A - Forward/reverse/center lock (marcha adelante/atrás/seguro en el centro)
B - Switch trigger (gatillo del interruptor)

Fig. 4



A - Forward/reverse/center lock (marcha adelante/atrás/seguro en el centro)
B - Reverse (marcha atrás)
C - Forward (marcha adelante)
D - Switch trigger (gatillo del interruptor)

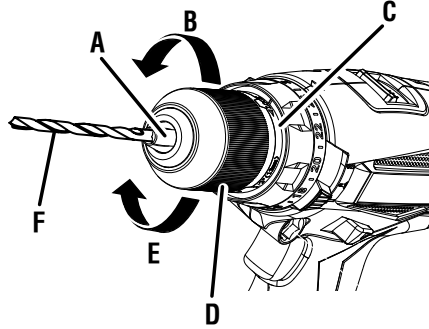
Fig. 5



A - Latches (pestillos)
B - Depress latches to release battery pack (para soltar el paquete de baterías, oprima los pestillos)

Fig. 6

RIGHT / FORMA CORRECTA



A - Chuck jaws (mordazas del portabrocas)
B - Unlock (release) [desasegurar (aflojar)]
C - Chuck collar (collar del portabrocas)
D - Chuck body (cuerpo del portabrocas)
E - Lock (tighten) [asegurar (apretar)]
F - Drill bit (broca)

Fig. 7

WRONG / FORMA INCORRECTA

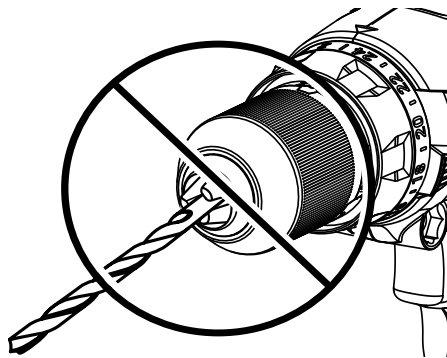
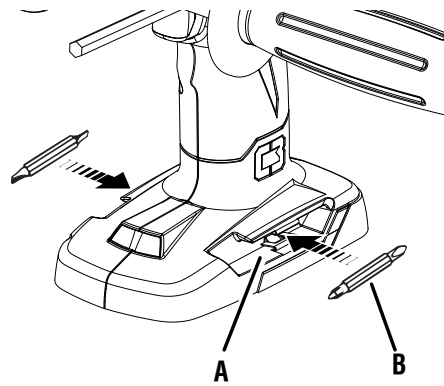
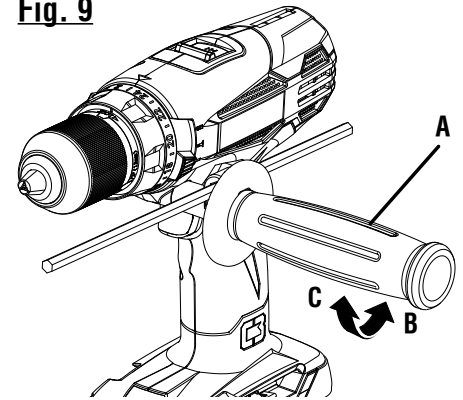


Fig. 8



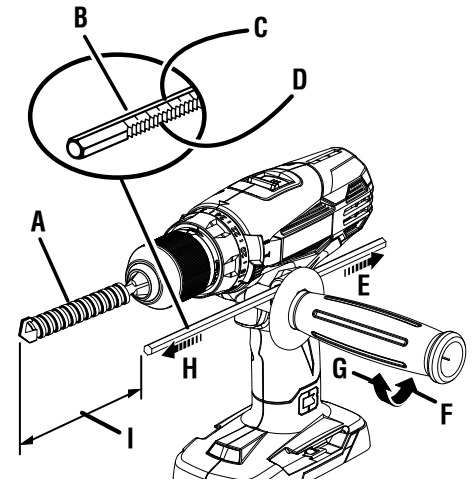
A - Bit storage area (compartimiento de brocas de destornillador)
B - Screwdriver bit (broca de destornillador)

Fig. 9



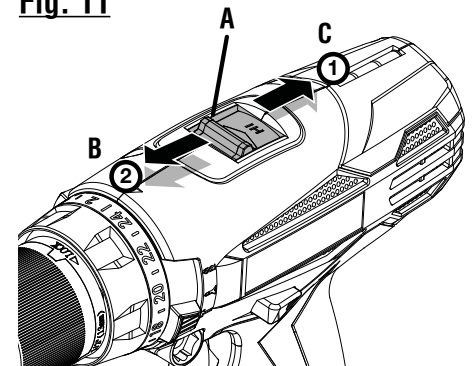
A - Auxiliary handle (mango auxiliar)
B - To loosen (para aflojar)
C - To tighten (para apretar)

Fig. 10



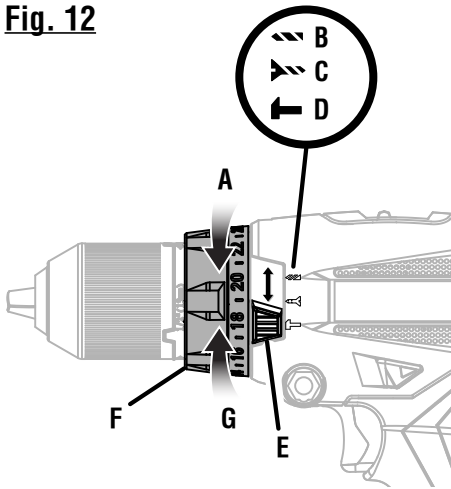
A - Drill bit (broca)
B - Depth stop rod (barra limitadora de profundidad)
C - Scale (indicador de la escala)
D - Teeth (dientes)
E - To increase drilling depth (para aumentar la profundidad de taladrado)
F - To loosen (para aflojar)
G - To tighten (para apretar)
H - To decrease drilling depth (para disminuir la profundidad de taladrado)
I - Drilling depth (profundidad de taladrado)

Fig. 11



A - Two-speed gear train (hi-lo) [engranaje de dos velocidades (alta-baja)]
B - Hi speed (velocidad alta)
C - Lo speed (velocidad baja)

Fig. 12



- A - To decrease torque (para disminuir la fuerza de torsión)
- B - Drill mode (modo de taladrado)
- C - Screw mode (modo de atornillado)
- D - Hammer mode (modo de percusión)
- E - Mode selector (selector de modo)
- F - Torque adjusting ring (anillo de ajuste de fuerza de torsión)
- G - To increase torque (para aumentar la fuerza de torsión)

Fig. 13

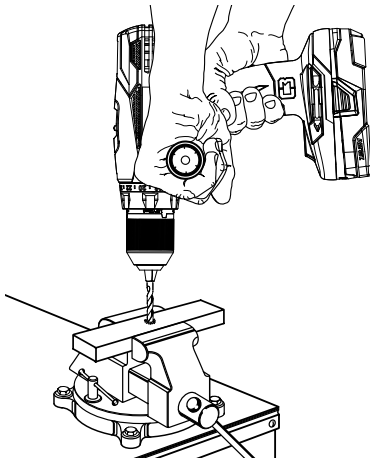
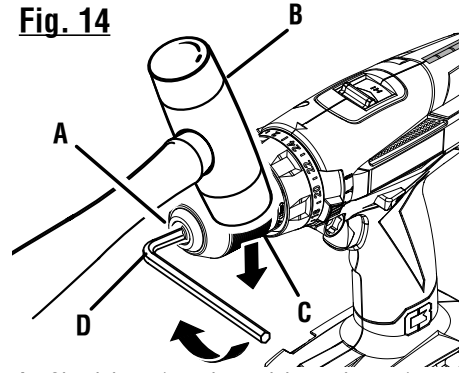
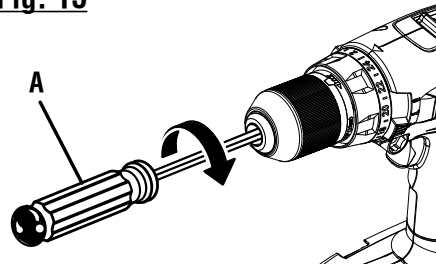


Fig. 14



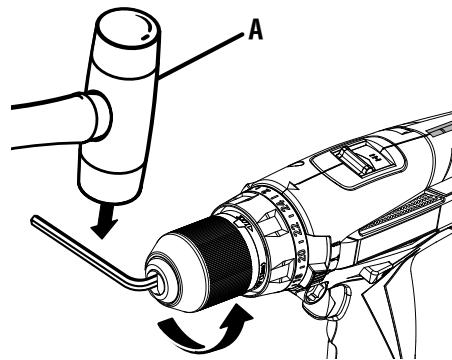
- A - Chuck jaws (mordazas del portabrocas)
- B - Mallet (mazo de goma)
- C - Keyless chuck (portabrocas de apriete sin llave)
- D - Hex key (llave hexagonal)

Fig. 15



- A - Screwdriver (destornillador)

Fig. 16



- A - Mallet (mazo de goma)

ADVERTENCIAS DE SEGURIDAD PARA HERRAMIENTAS ELÉCTRICAS



ADVERTENCIA Lea todas las advertencias de seguridad y las instrucciones. El incumplimiento de las advertencias e instrucciones puede ocasionar descarga eléctrica, fuego o lesiones graves.

Guarde todas las advertencias e instrucciones para futuras consultas. El término “herramienta eléctrica” empleado en todos los avisos de advertencia enumerados abajo se refiere a las herramientas eléctricas de cordón (alámbricas) y de baterías (inalámbricas).

SEGURIDAD EN EL ÁREA DE TRABAJO

- **Mantenga limpia y bien iluminada el área de trabajo.** Un área de trabajo mal despejada o mal iluminada propicia accidentes.
- **No utilice herramientas motorizadas en atmósferas explosivas, como las existentes alrededor de líquidos, gases y polvos inflamables.** Las herramientas eléctricas generan chispas que pueden encender el polvo y los vapores inflamables.
- **Mantenga alejados a los niños y circunstantes al maniobrar una herramienta eléctrica.** Toda distracción puede causar pérdida del control de la herramienta.

SEGURIDAD ELÉCTRICA

- **Las clavijas de las herramientas eléctricas deben corresponder a las tomas de corriente donde se conectan. Nunca modifique la clavija de ninguna forma. No utilice ninguna clavija adaptadora con herramientas eléctricas dotadas de contacto a tierra.** Conectando las clavijas originales en las tomas de corriente donde corresponden se disminuye el riesgo de una descarga eléctrica.
- **Evite el contacto del cuerpo con las superficies de objetos que estén haciendo tierra o estén conectados a ésta, como tuberías, radiadores, estufas y refrigeradores.** Existe un mayor riesgo de descargas eléctricas si el cuerpo está haciendo tierra.
- **No exponga las herramientas eléctricas a la lluvia ni a condiciones de humedad.** La introducción de agua en una herramienta eléctrica aumenta el riesgo de descargas eléctricas.
- **No maltrate el cordón eléctrico. Nunca utilice el cordón para trasladar, desconectar o tirar de la herramienta eléctrica. Mantenga el cordón alejado del calor, del aceite, de bordes afilados y de piezas móviles.** Los cordones eléctricos dañados o enredados aumentan el riesgo de descargas eléctricas.
- **Al utilizar una herramienta eléctrica a la intemperie, use un cordón de extensión apropiado para el exterior.** Usando un cordón adecuado para el exterior se disminuye el riesgo de descargas eléctricas.
- **Si debe operar una herramienta en lugares húmedos, use un suministro protegido por un interruptor de circuito con pérdida a tierra (GFCI).** El uso de un GFCI reduce el riesgo de descargas eléctricas.

- **Cargue las baterías solamente con el cargador indicado. Para utilizar con paquetes de baterías de níquel-cadmio de 19,2 V o de iones de litio de 19,2 V, consulte el folleto de la herramienta/aparato/paquete de baterías/cargador complementario 988000-272.**

SEGURIDAD PERSONAL

- **Permanezca alerta, preste atención a lo que esté haciendo y aplique el sentido común al utilizar herramientas eléctricas. No utilice la herramienta eléctrica si está cansado o se encuentra bajo los efectos de alguna droga, alcohol o medicamento.** Un momento de inatención al utilizar una herramienta eléctrica puede causar lesiones corporales serias.
- **Use equipo de seguridad. Siempre póngase protección ocular.** El uso de equipo de seguridad como mascarilla para el polvo, calzado de seguridad, casco y protección para los oídos en las circunstancias donde corresponda disminuye el riesgo de lesiones.
- **Evite un arranque accidental de la unidad. Asegúrese de que el interruptor esté en la posición de apagado antes de conectar la herramienta.** Portar las herramientas eléctricas con el dedo en el interruptor, o conectarlas con el interruptor puesto, propicia accidentes.
- **Retire toda llave o herramienta de ajuste antes de encender la herramienta eléctrica.** Toda llave o herramienta de ajuste dejada en una pieza giratoria de la herramienta eléctrica puede causar lesiones.
- **No estire el cuerpo para alcanzar mayor distancia. Mantenga una postura firme y buen equilibrio en todo momento.** De esta manera se logra un mejor control de la herramienta eléctrica en situaciones inesperadas.
- **Vístase adecuadamente. No vista ropas holgadas ni joyas. Mantenga el cabello, la ropa y los guantes alejados de las piezas móviles.** Las ropas holgadas, las joyas y el cabello largo pueden engancharse en las piezas móviles.
- **Si se suministran dispositivos para conectar mangueras de extracción y captación de polvo, asegúrese de que éstas estén bien conectadas y se usen correctamente.** La utilización de captador de polvo puede disminuir los peligros relacionados con el polvo.
- **No vista ropas holgadas ni joyas. Recójase el cabello si está largo.** Las ropas holgadas y las joyas, así como el cabello largo, pueden resultar atraídas hacia el interior de las aberturas de ventilación.
- **No utilice la unidad al estar en una escalera o en un soporte inestable.** Una postura estable sobre una superficie sólida permite un mejor control de la herramienta eléctrica en situaciones inesperadas.

EMPLEO Y CUIDADO DE LA HERRAMIENTA ELÉCTRICA

- **No fuerce la herramienta eléctrica. Utilice la herramienta eléctrica adecuada para cada trabajo.** La herramienta eléctrica adecuada efectúa mejor y de

ADVERTENCIAS DE SEGURIDAD PARA HERRAMIENTAS ELÉCTRICAS

manera más segura el trabajo, si además se maneja a la velocidad para la que está diseñada.

- **No utilice la herramienta si el interruptor no enciende o no apaga.** Cualquier herramienta eléctrica que no pueda controlarse con el interruptor es peligrosa y debe repararse.
- **Desconecte la clavija del suministro de corriente o retire el paquete de baterías de la herramienta eléctrica, según sea el caso, antes de efectuarle cualquier ajuste, cambiarle accesorios o guardarla.** Tales medidas preventivas de seguridad reducen el riesgo de poner en marcha accidentalmente la herramienta.
- **Guarde las herramientas eléctricas desocupadas fuera del alcance de los niños y no permita que las utilicen personas no familiarizadas con las mismas o con estas instrucciones.** Las herramientas eléctricas son peligrosas en manos de personas no capacitadas en el uso de las mismas.
- **Preste servicio a las herramientas eléctricas. Revise para ver si hay desalineación o atoramiento de piezas móviles, ruptura de piezas o cualquier otra condición que pueda afectar el funcionamiento de la herramienta. Si está dañada la herramienta eléctrica, permita que la reparen antes de usarla.** Numerosos accidentes son causados por herramientas eléctricas mal cuidadas.
- **Mantenga las herramientas de corte afiladas y limpias.** Las herramientas de corte bien cuidadas y con bordes bien afilados, tienen menos probabilidad de atascarse en la pieza de trabajo y son más fáciles de controlar.
- **Utilice la herramienta eléctrica, los accesorios y brocas, hojas y cuchillas de corte, ruedas de esmeril, etc. de conformidad con estas instrucciones, tomando en cuenta las condiciones de trabajo y la tarea por realizar.** Si se utiliza la herramienta eléctrica para operaciones diferentes de las indicadas podría originar una situación peligrosa.

EMPLEO Y CUIDADO DE LA HERRAMIENTA DE BATERÍAS

- **Sólo cargue el paquete de baterías con el cargador especificado por el fabricante.** Un cargador adecuado para un tipo paquete de baterías puede significar un riesgo de incendio si se emplea con un paquete de baterías diferente.
- **Utilice las herramientas eléctricas sólo con los paquetes de baterías específicamente indicados.** El empleo de paquetes de baterías diferentes puede presentar un riesgo de incendio.
- **Cuando no esté utilizándose el paquete de baterías, manténgalo lejos de otros objetos metálicos, como clips, monedas, llaves, clavos, tornillos o otros objetos metálicos, pequeños que puedan establecer conexión entre ambas terminales.** Establecer una conexión directa entre las dos terminales de las baterías puede causar quemaduras o incendios.
- **Si se maltratan las baterías, puede derramarse líquido de las mismas; evite todo contacto con éste. En caso de contacto, lávese con agua. Si el líquido llega a tocar los ojos, además busque atención médica.** El líquido de las baterías puede causar irritación y quemaduras.

SERVICIO




- **Permita que un técnico de reparación calificado preste servicio a la herramienta eléctrica, y sólo con piezas de repuesto idénticas.** De esta manera se mantiene la seguridad de la herramienta eléctrica.
- **Al dar servicio a una herramienta eléctrica, sólo utilice piezas de repuesto idénticas. Siga las instrucciones señaladas en la sección Mantenimiento de este manual.** El empleo de piezas no autorizadas o el incumplimiento de las instrucciones de mantenimiento puede significar un riesgo de descarga eléctrica o de lesiones.

ADVERTENCIAS DE SEGURIDAD TALADRO DE PERCUSIÓN






- **Al utilizar taladros de impacto póngase protectores para los oídos.** La exposición a ruido puede producir la pérdida de la audición.
- **Utilice el o los mangos auxiliares, de venir provistos junto con la herramienta.** Cualquier pérdida de control puede causar lesiones personales.
- **Sujete las herramientas eléctricas por las superficies aisladas de sujeción al efectuar una operación en la cual la herramienta de corte pueda entrar en contacto con cables ocultos o con su propio cordón eléctrico.** Todo contacto de una herramienta con un cable cargado carga las piezas metálicas expuestas de la herramienta y da una descarga eléctrica al operador.
- **Familiarícese con su herramienta eléctrica. Lea cuidadosamente el manual del operador. Aprenda sus usos y limitaciones, así como los posibles peligros específicos de esta herramienta eléctrica.** Con el cumplimiento de esta regla se reduce el riesgo de una descarga eléctrica, incendio o lesión seria.
- **Siempre use protección ocular con laterales protectores con la marca de cumplimiento con la norma ANSI Z87.1 al ensamblar piezas, utilizar la herramienta o llevar a cabo tareas de mantenimiento.** Con el cumplimiento de esta regla se reduce el riesgo de lesiones corporales serias.
- **Protéjase los pulmones. Use una careta o mascarilla contra el polvo si la operación genera mucho polvo.** Con el cumplimiento de esta regla se reduce el riesgo de lesiones serias.
- **Protéjase los oídos. Durante períodos prolongados de utilización del producto, póngase protección para los oídos.** Con el cumplimiento de esta regla se reduce el riesgo de lesiones corporales serias.
- **No se necesita conectar a una toma de corriente las herramientas de baterías; por lo tanto, siempre están en condiciones de funcionamiento. Esté consciente de los posibles peligros cuando no esté usando la herramienta de baterías o cuando esté cambiando los accesorios de la misma.** Con el cumplimiento de esta regla se reduce el riesgo de una descarga eléctrica, incendio o lesión corporal seria.
- **No coloque herramientas de baterías ni las baterías mismas cerca del fuego o del calor.** De esta manera se reduce el riesgo de explosiones y de lesiones.
- **No aplaste, deje caer o dañe de baterías. Nunca utilice una batería o cargador que se ha caído, aplastado, recibido un golpe contundente o ha sido dañado(a) de alguna manera.** Las baterías dañadas pueden sufrir explosiones. Deseche de inmediato toda batería que haya sufrido una caída o cualquier daño.
- **Las baterías pueden explotar en presencia de fuentes de inflamación, como los pilotos de gas.** Para reducir el riesgo de lesiones serias, nunca use un producto inalámbrico en presencia de llamas expuestas. La explosión de una batería puede lanzar fragmentos y compuestos químicos. Si ha quedado expuesto a la explosión de una batería, lávese de inmediato con agua.
- **No cargue herramientas de baterías en lugares mojados o húmedos.** Con el cumplimiento de esta regla se reduce el riesgo de una descarga eléctrica.
- **Para obtener resultados óptimos, debe cargar la herramienta de baterías en un lugar donde la temperatura esté entre 10 y 38 °C (entre 50 y 100 °F).** No guarde la herramienta a la intemperie ni en el interior de vehículos.
- **En condiciones extremas de uso o temperatura las baterías pueden emanar líquido. Si el líquido llega a tocarle la piel, lávese de inmediato con agua y jabón. Si le entra líquido en los ojos, láveselos con agua limpia por lo menos 10 minutos, y después busque de inmediato atención médica.** Con el cumplimiento de esta regla se reduce el riesgo de lesiones corporales serias.
- **Guarde estas instrucciones.** Consúltelas con frecuencia y empléelas para instruir a otras personas que puedan utilizar esta herramienta. Si presta a alguien esta herramienta, facilítele también las instrucciones.

SÍMBOLOS

Las siguientes palabras de señalización y sus significados tienen el objeto de explicar los niveles de riesgo relacionados con este producto.

SÍMBOLO	SEÑAL	SIGNIFICADO
	PELIGRO:	Indica una situación peligrosa inminente, la cual, si no se evita, causará la muerte o lesiones serias.
	ADVERTENCIA:	Indica una situación peligrosa posible, la cual, si no se evita, podría causar la muerte o lesiones serias.
	PRECAUCIÓN:	Indica una situación potencialmente peligrosa la cual, si no se evita, puede causar lesiones leves o moderadas.
	AVISO:	(Sin el símbolo de alerta de seguridad) Indica información importante no relacionada con ningún peligro de lesiones, como una situación que puede ocasionar daños físicos.

Es posible que se empleen en este producto algunos de los siguientes símbolos. Le suplicamos estudiarlos y aprender su significado. Una correcta interpretación de estos símbolos le permitirá utilizar mejor y de manera más segura el producto.

SÍMBOLO	NOMBRE	DENOMINACIÓN/EXPLICACIÓN
	Alerta de seguridad	Indica un peligro posible de lesiones personales.
	Lea el manual del operador	Para reducir el riesgo de lesiones, el usuario debe leer y comprender el manual del operador antes de usar este producto.
	Protección para los ojos	Siempre póngase protección ocular con protección lateral con la marca de cumplimiento de la norma ANSI Z87.1.
	Alerta de condiciones húmedas	No exponga la unidad a la lluvia ni la use en lugares húmedos.
	Símbolos de reciclado	Este producto contiene baterías de níquel-cadmio (Ni-Cd) o iones de litio (Li-ion). Es posible que algunas leyes municipales, estatales o federales prohíban desechar las baterías en la basura normal. Consulte a las autoridades reguladoras de desechos para obtener información en relación con las alternativas de reciclado y desecho disponibles.
V	Volts	Voltaje
min	Minutos	Tiempo
==	Corriente continua	Tipo o característica de corriente
n_0	Velocidad en vacío	Velocidad de rotación, en vacío
.../min	Por minuto	Revoluciones, carreras, velocidad superficial, órbitas, etc., por minuto

CARACTERÍSTICAS

ESPECIFICACIONES DEL PRODUCTO

Portabrocas..... 1/2 pulg. (13 mm), de apriete sin llave
Motor..... 19,2 V, corr. cont.
Interruptor..... Velocidad variable
Velocidad en vacío 0-375/0-1 600 r/min (RPM)

Velocidad de percusión.....0-5 600/0-24 000 GPM*
Embrague.....24 posiciones
Fuerza de torsión..... hasta 465 lb.pulg. (47,5 Nm)
*Golpes por minuto

FAMILIARÍCESE CON EL TALADRO DE PERCUSIÓN

Vea la figura 1, página i.

Para usar este producto con la debida seguridad se debe comprender la información indicada en la herramienta misma y en este manual, y se debe comprender también el trabajo que intenta realizar. Antes de usar este producto, familiarícese con todas las características de funcionamiento y normas de seguridad del mismo.

MANGO AUXILIAR

El taladro está equipado de un mango auxiliar para facilitar su manejo y evitar la pérdida de control.

COMPARTIMIENTO DE BROCAS DE DESTORNILLADOR

Las brocas de destornillador suministradas con el taladro pueden colocarse en el compartimiento situado en la base de la unidad.

GOLPES POR MINUTO

Esta herramienta ofrece una velocidad de 0-5 600/0-24 000 GPM (golpes por minuto). La frecuencia de impacto se expresa como el número de golpes que aplica la herramienta cada minuto.

BARRA LIMITADORA DE PROFUNDIDAD

Con esta herramienta se suministra una barra limitadora de profundidad para ayudar a controlar la profundidad de los orificios taladrados.

SELECTOR DEL SENTIDO DE ROTACIÓN (MARCHA ADELANTE, ATRÁS, SEGURO EN EL CENTRO)

El taladro dispone de un selector de sentido de giro (marcha adelante/atrás/seguro en el centro) situado arriba del gatillo del interruptor para cambiar el sentido de giro de la broca. Si

se pone el gatillo del interruptor en la posición de APAGADO, (seguro en el centro), se evita el peligro de arrancar accidentalmente la herramienta cuando no esté usándose.

PORTABROCAS DE APRIETE SIN LLAVE

El portabrocas de apriete sin llave permite apretar o aflojar a mano la broca en las mordazas del portabrocas.

NIVEL

Un niveau est situé sur le dessus du logement du moteur pour faire en sorte que la mèche de perçage demeure à la même hauteur pendant l'utilisation.

SELECTOR DE MODALIDAD RÁPIDO

El selector de modalidad permite escoger fuerza de torsión máxima, taladrado de percusión y la capacidad de enroscar tornillos con fuerza de torsión ajustada por el usuario.

ANILLO DE AJUSTE DE FUERZA DE TORSIÓN

El taladro incorpora un embrague de 24 posiciones. El anillo de ajuste de la fuerza de torsión puede girarse para escoger la cantidad correcta de torsión necesaria en cada caso.

ENGRANAJE DE DOS VELOCIDADES

El engranaje de dos velocidades fue creado para taladrar o atornillar a velocidad **BAJA** posición (1) o **ALTA** posición (2). Un interruptor deslizante en la parte superior del taladro permite seleccionar velocidad **BAJA**, posición (1) o **ALTA**, posición (2).

VELOCIDAD VARIABLE

La velocidad de giro se incrementa gradualmente al aplicar mayor presión en el gatillo, y a la inversa, se reduce al disminuir esta presión.

CALIFORNIA - PROPUESTA DE LEY NÚM. 65

⚠ ADVERTENCIA: Este product y el polvo que crea pueden contener productos químicos, como plomo, que en el estado de California se reconocen como cancerígenos o causantes de defectos de nacimiento u otros daños reproductivos. **Lávese las manos después de utilizar el aparato.**

Algunos ejemplos de estas sustancias químicas son:

- plomo de las pinturas a base de plomo,
- silicio cristalino de los ladrillos, del cemento y de otros productos de albañilería, y
- arsénico y cromo de la madera químicamente tratada.

El riesgo de la exposición a estos compuestos varía, según la frecuencia con que se realice este tipo de trabajo. Para reducir la exposición personal, trabaje en áreas bien ventiladas, y con equipo de seguridad aprobado, tal como las caretas para el polvo especialmente diseñadas para filtrar partículas microscópicas.

ARMADO

DESEMPAQUETADO

Este producto requiere armarse.

- Extraiga cuidadosamente de la caja la herramienta y los accesorios. Compruebe que estén presentes todos los artículos enumerados en la lista de empaquetado.

ADVERTENCIA: No use este producto si no está totalmente ensamblado o si alguna pieza falta o está dañada. Si utiliza un producto que no se encuentra ensamblado de forma correcta y completa, puede sufrir lesiones graves.

- Inspeccione cuidadosamente la herramienta, para verificar que no haya sufrido ninguna rotura o daño durante el transporte.
- No deseche el material de empaquetado hasta que haya inspeccionado la herramienta con cuidado y la haya utilizado satisfactoriamente.
- Si hay piezas dañadas o faltantes, sírvase llamar al 1-800-932-3188, donde le brindaremos asistencia.

LISTA DE EMPAQUETADO

Taladro de percusión con conjunto de mango auxiliar

Barra limitadora de profundidad

Brocas de destornillador

Manual del operador

ADVERTENCIA: Si hay piezas dañadas o faltantes, no utilice esta herramienta sin haber reemplazado las piezas dañadas o faltantes. Usar este producto con partes dañadas o faltantes puede causar lesiones serias al operador.

ADVERTENCIA: No intente modificar esta herramienta ni fabricar accesorios no recomendados para ella. Cualquier alteración o modificación constituye maltrato y puede causar una condición peligrosa, con las consecuentes lesiones corporales graves.

ADVERTENCIA: Para evitar un arranque accidental que podría causar lesiones corporales serias, siempre desmonte de la herramienta el paquete de baterías al montarle piezas a aquélla.

INSTALACIÓN DEL MANGO AUXILIAR

Vea la figura 2, página i.

ADVERTENCIA: Siempre utilice el mango auxiliar cuando emplee esta herramienta para resistir mejor las reacciones de fuerza de torsión. Si este producto se atora o se cala, se podrían producir lesiones personales graves.

Este taladro está provisto de un mango auxiliar que facilita su manejo y ayuda a evitar la pérdida de control.

- Introduzca el tornillo a través de la ranura del taladro y empújelo hasta el fondo.
- Coloque la placa y el mango auxiliar en el tornillo y apriételes.
- Introduzca el extremo de la barra limitadora de profundidad en la ranura situada en la parte posterior de la placa.

FUNCIONAMIENTO

ADVERTENCIA: No permita que su familiarización con las herramientas lo vuelva descuidado. Tenga presente que basta un instante de descuido para que se produzca una lesión grave.

ADVERTENCIA: Siempre retire el paquete de baterías de la herramienta cuando esté ensamblando partes, realizando ajustes, limpiando o cuando ésta no esté en uso. Retirando el paquete de baterías se evita arrancar accidentalmente la unidad, lo cual puede causar lesiones serias.

ADVERTENCIA: Siempre póngase protección ocular con protección lateral con la marca de cumplimiento de la norma ANSI Z87.1. La inobservancia de esta advertencia puede permitir que los objetos lanzados hacia los ojos puedan provocarle lesiones graves.

ADVERTENCIA: No utilice ningún aditamento o accesorio no recomendado por el fabricante de esta herramienta. El empleo de aditamentos o accesorios no recomendados puede causar lesiones graves.

APLICACIONES

Esta herramienta puede emplearse para los fines siguientes:

- Taladrado de percusión en hormigón, ladrillo y otros tipos de mampostería
- Taladrado productos de madera (madera aserrada, madera contrachapada, paneles, madera compuesta y madera dura), cerámica, plásticos, fibra de vidrio y material laminado, y metales; Enroscar tornillos con puntas de destornillador

FUNCIONAMIENTO

GATILLO DEL INTERRUPTOR DE VELOCIDAD VARIABLE

Vea la figura 3, página ii.

El gatillo de velocidad variable produce mayor velocidad cuanto mayor presión se aplica en el gatillo, y menor velocidad cuanto menor presión se aplica en el mismo.

Para **ENCENDER** el taladro, oprima el gatillo del interruptor. Para **DETENER** el taladro, suelte el gatillo del interruptor y permita que se detenga completamente el portabrocas.

NOTA: Un silbido o zumbido que viene del interruptor durante el uso es una parte normal de la función del interruptor.

Evite hacer funcionar el taladro a baja velocidad por períodos largos. El trabajo constante a velocidades bajas puede causar recalentamiento del taladro. De ocurrir esto, enfríe el taladro haciéndolo funcionar sin carga a plena velocidad.

SELECTOR DE SENTIDO DE ROTACIÓN (MARCHA ADELANTE, ATRÁS, SEGURO EN EL CENTRO)

Vea la figura 4, página ii.

AVISO: Para no dañar el engranaje, antes de cambiar el sentido de rotación espere a que el portabrocas se detenga por completo.

Ajuste el selector de sentido de rotación en la posición de **APAGADO** (seguro en el centro) para bloquear el gatillo del interruptor y ayudar a prevenir un arranque accidental cuando no esté en uso.

Ubique el selector de sentido de rotación a la izquierda del gatillo del interruptor para taladrar hacia adelante. Ubique el selector a la derecha del gatillo del interruptor para taladrar hacia atrás.

NOTA: El taladro no funciona a menos que se empuje el selector de dirección de giro completamente a la izquierda o derecha.

ADVERTENCIA: Las herramientas de baterías siempre están en condiciones de funcionamiento. Bloquee el interruptor cuando no esté en uso o lo lleve a su lado, al instalar o extraer el paquete de baterías y al instalar o extraer brocas.

INSTALACIÓN/DESMONTAR DEL PAQUETE DE BATERÍAS

Vea la figura 5, página ii.

- Bloquee el gatillo del interruptor.
- Coloque el paquete de baterías en el producto como se muestra.
- Asegúrese de que los pestillos situados a ambos lados del paquete de baterías entren completamente en su lugar con un chasquido y de que el paquete quede bien asegurado en la herramienta antes de comenzar a utilizarla.
- Oprima los pestillos para extraer el paquete de baterías.

INSTALACIÓN / DESMONTAR DE LAS BROCAS

Vea las figuras 6 - 8, página ii.

Las flechas en el portabrocas sin llaves indican en qué dirección girar el cuerpo del portabrocas para apretar o soltar la broca.

No utilice ninguna llave para apretar o aflojar las mordazas del portabrocas.

- **Para instalar las brocas**, bloquee el gatillo del interruptor.
- Abra o cierre las mordazas del portabrocas a tal punto que la abertura sea levemente más grande que la broca deseada.
- Levante la parte delantera del taladro ligeramente e inserte la broca.

ADVERTENCIA: Asegúrese de introducir la broca recta en las mordazas del portabrocas. No introduzca en ángulo la broca en las mordazas del portabrocas para después apretarla. Podría causar que la broca salga disparada del taladro, y por consecuencia, posibles lesiones corporales serias, o daños al portabrocas.

- Con la otra mano, gire el cuerpo del portabrocas para cerrar y apretar las mordazas del portabrocas.

ADVERTENCIA: No sujete con la mano el cuerpo del portabrocas con la intención de usar la fuerza de giro del taladro para apretar la broca en las mordazas. El portabrocas podría resbalarse en la mano, o ésta misma resbalarse y entrar en contacto con la broca que gira. Esto puede causar un accidente y lesiones corporales graves.

- **Para extraer las brocas**, bloquee el gatillo del interruptor y abra las mordazas del portabrocas.
- La broca suministrada con el taladro pueden colocarse en el compartimiento situado en la base de la unidad.

EMPLEO DEL CONJUNTO DEL MANGO AUXILIAR

Vea las figuras 9 a 10, página ii.

Este taladro está provisto de un mango auxiliar que facilita su manejo y ayuda a evitar la pérdida de control. El mango montarse en el lado opuesto para utilizarse con la mano izquierda.

Asegúrese de que el mango auxiliar quede firmemente apretado contra la abrazadera de graduación de profundidad. De esta manera, la barra limitadora de profundidad se ajusta a la profundidad deseada de taladrado. También queda asegurado el mango auxiliar.

NOTA: Para mayor comodidad y facilidad al comenzar a perforar, la tuerca hexagonal está hundida dentro de la ranura moldeada del mango auxiliar.

La barra limitadora de profundidad sirve para controlar la profundidad de los agujeros taladrados.

FUNCIONAMIENTO

NOTA: Cuando está bien instalada, los dientes de la barra limitadora de profundidad coinciden con el indicador de dientes de la abrazadera correspondiente.

Ajuste la barra limitadora de profundidad de tal manera que la broca rebasa la punta de la barra en la medida de la profundidad de taladrado deseada.

Al taladrar con la barra limitadora de profundidad instalada, la profundidad deseada del orificio se alcanza cuando la punta de la barra toca la superficie de la pieza de trabajo.

AJUSTE DEL CONJUNTO DEL MANGO

AUXILIAR

Vea la figura 9, página ii.

- Afloje el conjunto del mango; para ello gire a la izquierda el mango.
- Gire el conjunto del mango a la posición de trabajo deseada.
- Apriete firmemente el conjunto del mango auxiliar; para ello, gírelo a la derecha.

AJUSTE DE LA BARRA LIMITADORA DE PROFUNDIDAD

Vea la figura 10, página iii.

- Asegure el gatillo del interruptor; para ello, coloque el selector de sentido de rotación en la posición central.
- Afloje el conjunto del mango auxiliar girando la perilla hacia la izquierda.
- Ajuste la barra limitadora de profundidad de tal manera que la broca rebasa la punta de la barra en la medida de la profundidad de taladrado deseada.
- Apriete el conjunto del mango auxiliar girando la perilla hacia la derecha.

TREN DE ENGRANAJES DE DOS VELOCIDADES

Vea la figura 11, página ii.

- Seleccione la velocidad **LO (1) (BAJA)** para aplicaciones que requieren una mayor potencia y torsión.
- Seleccione la velocidad **HI (2) (ALTA)** para aplicaciones de taladrado o atornillado rápidas.

AVISO: Nunca cambie de gama de velocidad mientras esté funcionando la herramienta. El incumplimiento de esta precaución puede producir daños serios en el taladro.

EMBRAGUE DE FUERZA DE TORSIÓN AJUSTABLE

Vea la figura 12, página ii.

El taladro está provisto de un embrague de torsión ajustable para introducir diferentes tipos de tornillos en distintos materiales. Para usar los ajustes de la fuerza de torsión, gire el selector de modo para ponerlo en el modo de atornillado (▶). (El modo de taladrado (◀) o percusión (◄)) es para operaciones a toda la fuerza de torsión.) El ajuste adecuado depende del tipo de material y del tamaño del tornillo.

AJUSTE DE LA FUERZA DE TORSIÓN

Vea la figura 12, página ii.

Emplee brocas con punta de carburo y seleccione el modo de percusión al taladrar en materiales duros como ladrillo, hormigón, etc.

Utilice brocas puntas de carburo y seleccione el modo taladro al perforar materiales de superficies duras y quebradizas tal como la losa, etc.

Utilice brocas helicoidales, sierras caladoras, etc. y el modo taladro al perforar materiales blandos.

Gire el anillo de ajuste a la configuración de torsión adecuada para el tipo de material y tamaño de tornillo que está utilizando.

- Gire el anillo de ajuste a la marca deseada.
 - 1 - 4 Para introducir tornillos pequeños
 - 5 - 8 Para introducir tornillos en material blando
 - 9 - 12 Para introducir tornillos en materiales blandos o duros
 - 13 - 16 Para introducir tornillos en madera dura
 - 17 - 23 Para introducir tornillos grandes
 - ◄ Para taladrado pesado

TALADRADO/INTRODUCCIÓN DE TORNILLOS

Vea las figuras 10 a 11, página ii.

Un niveau est situé sur le dessus du logement du moteur pour faire en sorte que la mèche de perçage demeure à la même hauteur pendant l'utilisation.

- Instalar el mango auxiliar.
- Gire el selector de modo a la posición del tornillo (▶).
- Revise el selector de sentido de rotación para ver si está en la posición correcta (marcha o atrás).
- Use velocidad **LO (1) BAJA** para aplicaciones de alta fuerza de torsión y velocidad **HI (2) ALTA** para aplicaciones rápidas de taladrado o con destornilladores. Consulte tren de *Tren de engranajes de dos velocidades*.
- Asegure la pieza de trabajo en una prensa de banco, o con abrazaderas de mano, para evitar que rote al girar la broca.
- Sostenga firmemente el taladro y coloque la broca en el punto donde va a taladrar, o en el punto donde el tornillo vaya a introducir éste.



ADVERTENCIA: No introduzca tornillos donde pudiera haber cables ocultos detrás de la superficie. Todo contacto de una herramienta con un cable cargado carga las piezas metálicas expuestas de la herramienta y da una descarga eléctrica posiblemente al operador. Si debe introducir tornillos donde pudiera haber cables ocultos, siempre sujete la herramienta por las superficies aisladas de sujeción (mango) al efectuar una operación para evitar una descarga eléctrica al operador.

FUNCIONAMIENTO

- Oprima el gatillo del interruptor para encender el taladro.
- Introduzca la broca en la pieza de trabajo aplicando justamente la presión suficiente para mantener la broca perforando el material. No fuerce el taladro ni aplique presión lateral para ovalar el orificio. Permita que la herramienta realice el trabajo.



ADVERTENCIA: Al taladrar, esté preparado por si se atasca la broca al traspasar la pieza de trabajo. Cuando ocurren estas situaciones, el taladro presenta una tendencia a trabarse y dar un contragolpe en la dirección opuesta, y podría causar una pérdida de control al perforar el material. Si usted no está preparado, esta pérdida de control podría ser causa de lesiones serias.

- Para taladrar superficies lisas y duras utilice un punzón de marcar para señalar la ubicación de la perforación. De esta manera se evita que la broca se desplace del centro al iniciar la perforación.
- Si se atora la broca en la pieza de trabajo, o si se detiene el taladro, apague de inmediato la herramienta. Retire la broca de la pieza de trabajo y determine la razón causante del atoramiento.

NOTA: Este taladro tiene un freno eléctrico. Cuando se suelta el gatillo del interruptor, el portabrocas deja de girar. Cuando el freno funciona correctamente, pueden verse chispas a través de las ranuras de ventilación de la caja del motor. Es un efecto normal de la acción del freno.

TALADRADO EN MADERA Y EN METAL

Para obtener un desempeño óptimo de la unidad, utilice brocas de acero de alta velocidad para taladrado en madera o en metal. Seleccione el modo de taladrado. Comience a taladrar a una velocidad muy baja para impedirle a la broca abandonar el punto inicial.

Taladrado en madera:

- Aumente la velocidad a medida que la broca penetra en el material.

- Al taladrar orificios de lado a lado, coloque un bloque de madera detrás de la pieza de trabajo para evitar producir orillas deshilachadas o astilladas en la parte posterior del orificio.

Taladrado en metal y en acero:


- Aplique aceite de baja viscosidad en la broca para evitar el recalentamiento de la misma. El aceite prolonga la vida de servicio de la broca y aumenta la eficacia de la operación de taladrado.
- Mantenga una velocidad y una presión tales que permitan taladrar sin recalentar la broca. Si se aplica demasiada presión:
 - Se recalienta el taladro;
 - Se gastan los cojinetes;
 - Se doblan o queman las brocas; y
 - Se producen orificios descentrados o de forma irregular.
- Al taladrar agujeros grandes en metal, comience con una broca pequeña y termine con una grande.


TALADRADO EN OBRAS DE ALBAÑILERÍA


Para obtener un desempeño óptimo de la unidad, utilice brocas de impacto con puntas de carburo para albañilería al taladrar en ladrillo, hormigón, etc.

- Ponga el botón de ajuste a la izquierda para el modo de taladrado de percusión.
- Para obtener resultados óptimos en ladrillo, aplique presión leve y velocidad mediana.
- En materiales duros como el hormigón, aplique presión adicional.
- Al taladrar orificios en azulejo o baldosa, practique con una pieza de desecho para determinar la mejor combinación de velocidad y presión. Comience a taladrar a una velocidad muy baja para impedirle a la broca abandonar el punto inicial.

MANTENIMIENTO


 **ADVERTENCIA:** Al dar servicio a la herramienta, utilice solamente piezas de repuesto Craftsman idénticas. El empleo de piezas diferentes puede implicar peligro o causar daños al producto.

 **ADVERTENCIA:** Siempre póngase protección ocular con protección lateral con la marca de cumplimiento de la norma ANSI Z87.1. La inobservancia de esta advertencia puede permitir que los objetos lanzados hacia los ojos puedan provocar lesiones graves.

 **ADVERTENCIA:** Para evitar lesiones corporales graves, siempre retire el paquete de baterías de la herramienta al limpiarla o darle mantenimiento.


MANTENIMIENTO GENERAL

Evite el empleo de solventes al limpiar piezas de plástico. La mayor parte de los plásticos son vulnerables a diferentes tipos de solventes comerciales y pueden resultar dañados. Utilice paños limpios para eliminar la suciedad, polvo, aceite, grasa, etc.

 **ADVERTENCIA:** No permita en ningún momento que líquido para frenos, gasolina u otros derivados del petróleo, aceites penetrantes, etc., lleguen a tocar las piezas de plástico. Las sustancias químicas pueden dañar, debilitar o destruir el plástico, lo cual a su vez puede producir lesiones corporales graves.

Solamente las piezas mostradas en la lista de piezas pueden ser reparadas o cambiadas por el consumidor. Todas las piezas restantes deben ser reemplazadas en un centro de servicio Sears.

REMOCIÓN Y PREPARACIÓN DEL PAQUETE DE BATERÍAS PARA EL RECICLADO

 **ADVERTENCIA:** Al retirar el paquete de baterías, cubra las terminales del mismo con cinta adhesiva reforzada. No intente destruir o desarmar el paquete de baterías, ni de desmontar ninguno de sus componentes. Las baterías deben reciclarse o desecharse debidamente. Asimismo, nunca toque ambas terminales con objetos metálicos y partes del cuerpo, ya que puede producirse un corto circuito. Manténgase fuera del alcance de los niños. La inobservancia de estas advertencias puede causar incendios y lesiones corporales serias.

DESMONTAJE DEL PORTABROCAS

Veá las figuras 14 a 16, página iii.

El portabrocas puede desmontarse y reemplazarse con uno nuevo.

- Asegure el gatillo del interruptor; para ello, coloque el selector de sentido de rotación en la posición central.
- Introduzca en el portabrocas una llave hexagonal de 5/16 pulg. (7,9 mm) o mayor, y apriete firmemente las mordazas.
- Golpee sólidamente la llave hexagonal con un mazo de goma hacia la derecha. De esta manera se afloja el tornillo del portabrocas, lo que permite su desmontaje.
- Abra las mordazas del portabrocas y retire la llave hexagonal. Con un destornillador, desenrosque el tornillo del portabrocas; para ello, gírelo hacia la derecha.
NOTA: El tornillo del portabrocas es de rosca izquierda.
- Inserte la llave hexagonal en el portabrocas y apriete con firmeza las mordazas. Golpee sólidamente hacia la izquierda con un mazo de goma. De esta manera se afloja el portabrocas en el husillo. Ahora ya puede desenroscarse a mano.

PARA APRETAR EL PORTABROCAS CUANDO SE AFLOJE

El portabrocas puede llegar a aflojarse en el husillo, con lo cual empieza a bambolear. Además, el tornillo del portabrocas puede aflojarse y hacer que las mordazas se traben, lo cual puede dejarlas imposibilitadas para cerrar adecuadamente.

Para apretar:

- Asegure el gatillo del interruptor; para ello, coloque el selector de sentido de rotación en la posición central.
- Abra las mordazas del portabrocas.
- Inserte la llave hexagonal en el portabrocas y apriete con firmeza las mordazas. Golpee sólidamente la llave hexagonal con un mazo de goma hacia la derecha. De esta manera se aprieta el portabrocas en el husillo.
- Abra las mordazas del portabrocas y retire la llave hexagonal.
- Apriete el tornillo del portabrocas.

Get it fixed, at your home or ours!

Your Home

For expert troubleshooting and home solutions advice:

manage my home

www.managemyhome.com

For repair – **in your home** – of **all** major brand appliances, lawn and garden equipment, or heating and cooling systems, **no matter who made it, no matter who sold it!**

For the replacement parts, accessories and owner's manuals that you need to do-it-yourself.

For Sears professional installation of home appliances and items like garage door openers and water heaters.

1-800-4-MY-HOME® (1-800-469-4663)

Call anytime, day or night (U.S.A. and Canada)

www.sears.com www.sears.ca

Our Home

For repair of carry-in items like vacuums, lawn equipment, and electronics, call anytime for the location of your nearest

Sears Parts & Repair Service Center

1-800-488-1222 (U.S.A.)

www.sears.com

1-800-469-4663 (Canada)

www.sears.ca

To purchase a protection agreement on a product serviced by Sears:

1-800-827-6655 (U.S.A.)

1-800-361-6665 (Canada)

Para pedir servicio de reparación a domicilio, y para ordenar piezas:

1-888-SU-HOGAR®

(1-888-784-6427)

Au Canada pour service en français:

1-800-LE-FOYER^{MC}

(1-800-533-6937)

www.sears.ca

Sears

® Registered Trademark / ™ Trademark / SM Service Mark of Sears Brands, LLC

® Marca Registrada / ™ Marca de Fábrica / SM Marca de Servicio de Sears Brands, LLC

^{MC} Marque de commerce / ^{MD} Marque déposée de Sears Brands, LLC

© Sears Brands, LLC