

Operator's Manual

**CRAFTSMAN<sup>®</sup>**



## SUN SHADE

Model No. 486.24230

DO NOT RETURN TO STORE  
For Missing Parts or Assembly  
Questions Call 1-866-576-8388



### CAUTION:

Before using this product, read this manual and follow all Safety Rules and Operating Instructions.

Sears, Roebuck and Co., Hoffman Estates, IL 60179 U.S.A.  
[www.sears.com/craftsman](http://www.sears.com/craftsman)

PRINTED IN U.S.A.

FORM NO. 42224 (03/23/09)

## TABLE OF CONTENTS

SAFETY..... 2	OPERATION..... 6
WARRANTY ..... 2	MAINTENANCE/STORAGE ..... 6
CARTON CONTENTS..... 3	REPAIR PARTS LIST..... 7
HARDWARE CHART..... 3	PARTS ORDERING/SERVICE ..... Back Page
ASSEMBLY INSTRUCTIONS..... 4	



## SAFETY



Any power equipment can cause injury if operated improperly or if the user does not understand how to operate the equipment. Exercise caution at all times when using power equipment.

- This sun shade does not provide protection against exhaust fumes, collision, rollover or other accidents.
  - Read the sun shade and vehicle owner's manuals and know how to operate your vehicle and sun shade before using the sun shade attachment.
  - Be sure there is adequate ventilation when using the tractor and sun shade in confined areas.
  - The sun shade will restrict your field of vision in some directions. Use extra caution when operating your tractor with the sun shade attached.
- Watch out for low tree limbs or other overhead obstructions that may not previously have interfered with operation of the tractor. The extra height of the sun shade may cause these objects to become obstacles.
  - Check the area of operation thoroughly before using the tractor.



Look for this symbol to point out important safety precautions. It means — **Attention!! Become alert!! Your safety is involved.**

## WARRANTY

### ONE YEAR FULL WARRANTY

When operated and maintained according to all supplied instructions, if this Craftsman product fails due to a defect in material or workmanship within one year from the date of purchase, return it to any Sears store or other Craftsman outlet in the United States for free replacement.

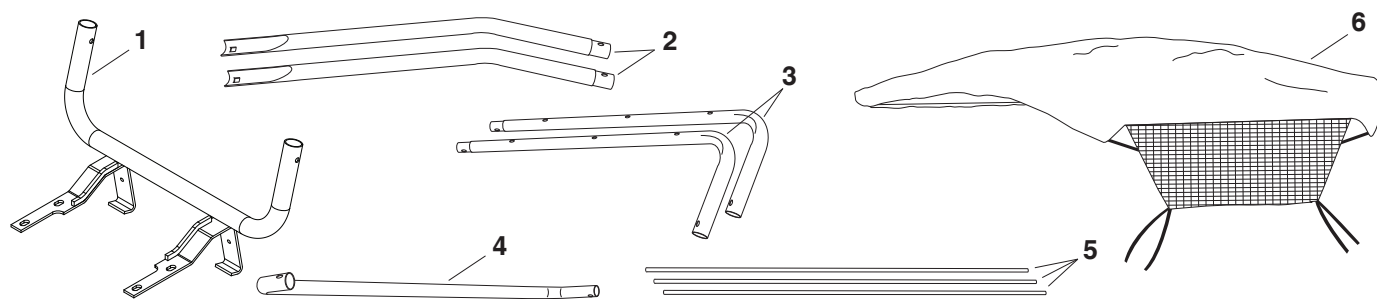
This warranty applies for only 90 days if this product is ever used for commercial or rental purposes.

This warranty gives you specific legal rights, and you may also have other rights which vary from state to state.

Sears, Roebuck and Co., D817WA, Hoffman Estates, IL 60179

<p>The model number and serial numbers will be found on a decal attached to the base assembly. You should record both the serial number and the date of purchase and keep in a safe place for future reference.</p>	<p>MODEL NUMBER:        486.24230</p> <p>SERIAL NUMBER:        _____</p> <p>DATE OF PURCHASE:    _____</p>
---	--

## CARTON CONTENTS



REF.	PART NO.	QTY.	DESCRIPTION	REF.	PART NO.	QTY.	DESCRIPTION
1	66296	1	Base Bracket Assembly	4	25012	1	U-Tube
2	25014	2	Upright Tube	5	25015	3	Support Rod
3	25013	2	Top Tube	6	48660	1	Vinyl Canopy

## HARDWARE CHART

SHOWN FULL SIZE	NOT SHOWN FULL SIZE

REF.	PART NO.	QTY.	DESCRIPTION	REF.	PART NO.	QTY.	DESCRIPTION
7	26462	2	Support Bracket	12	43012	2	Hex Bolt, 1/4-20 x 3/4"
8	43720	2	Plastic Knob	13	43063	4	Hex Bolt, 5/16-18 x 1"
9	43081	6	Flat Washer, 5/16"	14	44977	2	Carriage Bolt, 5/16-18 x 2"
10	43648	4	Hex Bolt, 1/4-20 x 1-1/2"	15	47674	2	Plastic Cap
11	47189	6	Nylock Nut, 1/4-20	16	48661	4	Adhesive Pad

# ASSEMBLY INSTRUCTIONS

## TOOLS YOU WILL NEED FOR ASSEMBLY

- (2) 7/16" Wrenches
- (1) 1/2" Wrench
- (1) 1/2" Socket Wrench

**NOTE:** Right hand (RH) and left hand (LH) are determined from the operator's position while seated on the tractor.

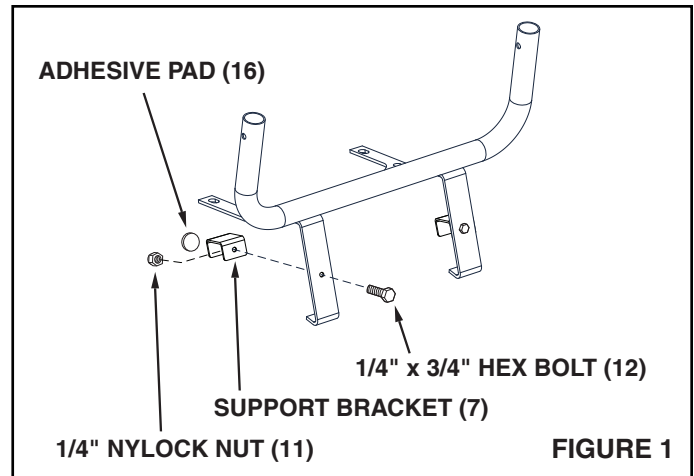
**FOR LAWN TRACTORS ONLY.** Skip to page 5 if you have a garden tractor.

### STEP 1: (Figure 1)

Attach the two support brackets to the base bracket assembly.

### STEP 2: (Figure 1)

Attach an adhesive pad to each support bracket.



### STEP 3: (FIGURE 2)

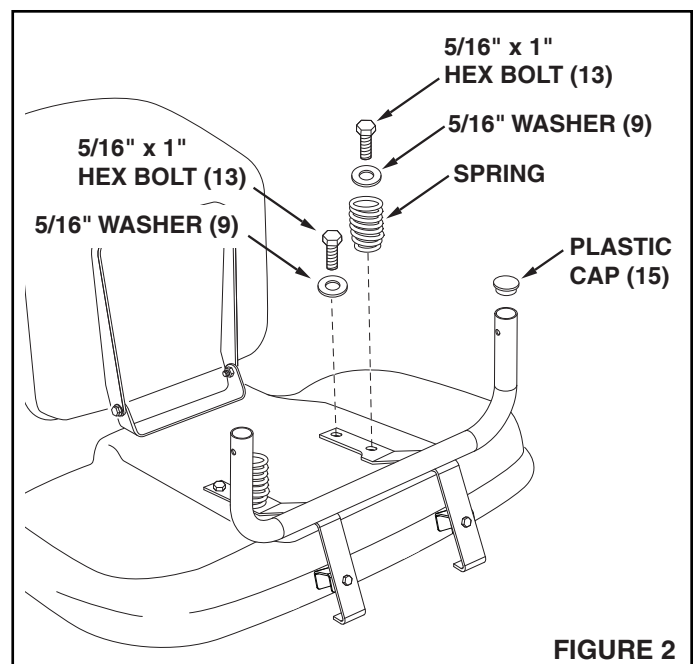
Raise the tractor seat and remove the seat springs and four bolts from the rear fender using a 1/2" socket.

### STEP 4: (FIGURE 2)

Attach the base bracket assembly and the seat springs to the fender using the bolts and washers supplied with the sun shade. **Tighten** the bolts using moderate force. Overtightening might damage the threaded holes in the fender.

### STEP 5: (FIGURE 2)

Insert the plastic caps into the ends of the base bracket tube.



## FOR GARDEN TRACTORS ONLY.

### STEP 6: (Figure 3)

Raise the tractor seat and remove the seat springs and four bolts from the rear fender using a 1/2" socket.

### STEP 7: (Figure 3)

Place the hooked ends of the base bracket assembly underneath the rear of the fender as shown.

### STEP 8: (Figure 3)

Attach the base bracket assembly and the seat springs to the fender using the bolts and washers supplied with the sun shade. **Tighten** the bolts using moderate force. Overtightening might damage the threaded holes in the fender.

### STEP 9: (Figure 3)

Insert the plastic caps into the ends of the base bracket tube.

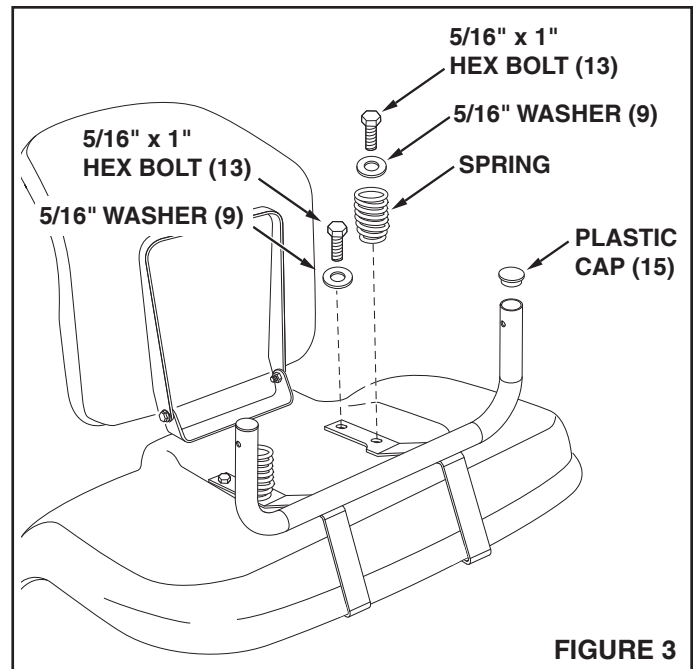


FIGURE 3

## FOR ALL TRACTORS.

### STEP 10: (Figure 4)

Assemble the upright tubes to the base bracket assembly.

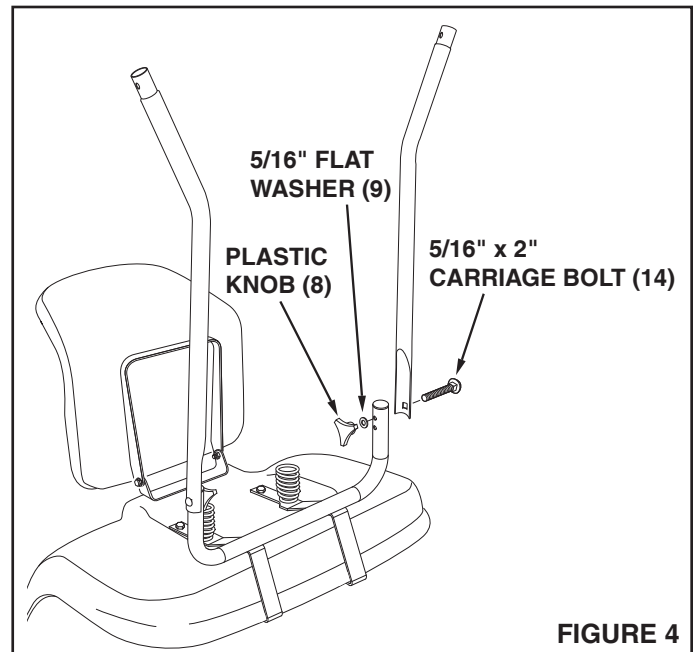


FIGURE 4

### STEP 11: (Figure 5)

Assemble the top tubes to the upright tubes. **Do not tighten yet.**

### STEP 12: (Figure 5)

Fit the front U-tube onto the top tubes. Fasten the tubes together. **Tighten all** loose bolts and nuts.

### STEP 13: (Figure 5)

Fit the three support rods into the holes in the top tubes, with the rods arching upward. **Do not** over-bend the rods when installing.

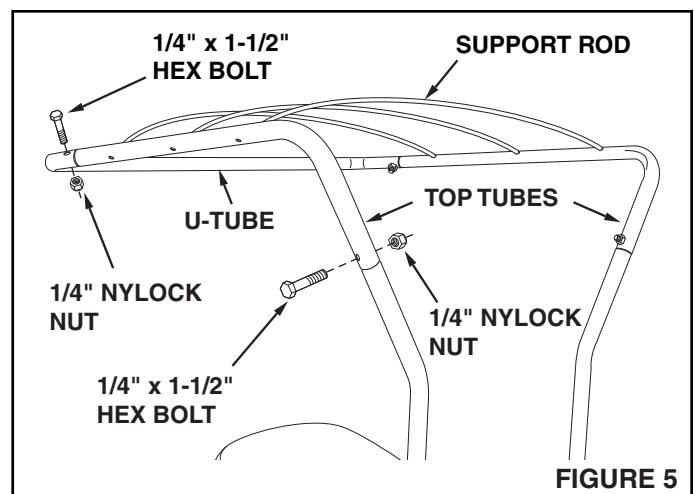


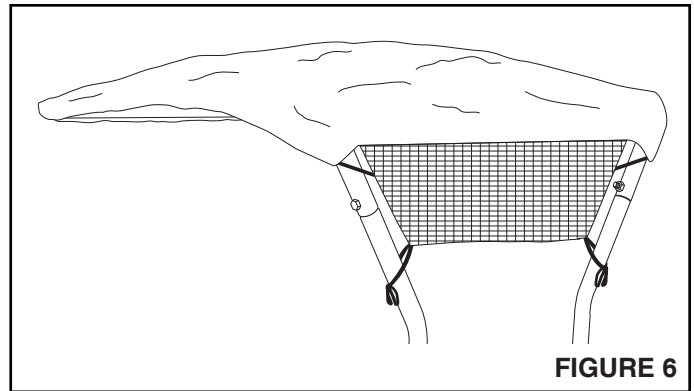
FIGURE 5

### STEP 14: (Figure 6)

Place the vinyl canopy on top of the tubing frame, fitting the front of the vinyl canopy around the front U-tube. Secure the nylon mesh to the upright tubes using the ties located on the corners of the mesh.



**CAUTION:** Make sure tractor seat raises and lowers freely after attaching Sun Shade. The tractor's operator presence safety switch will not operate if seat is stuck down.



## OPERATION

Read this owner's manual and safety rules before operating your tractor with the sun shade.



**CAUTION:** This sun shade does not provide protection against exhaust fumes, collision, rollover or other accidents.

Check the area of operation thoroughly before using the tractor with the sun shade. The added height of the sun shade and a reduced field of vision require extra caution during operation.



**CAUTION: Watch out** for low tree limbs and other overhead objects which may interfere with the sun shade.

Remove the upper sun shade frame and canopy before you transport the tractor in an open truck or open trailer.



**CAUTION: Never** transport the tractor in an open truck or open trailer while the sun shade is attached.

## MAINTENANCE/STORAGE

### CUSTOMER RESPONSIBILITIES

Read and follow the maintenance schedule and the maintenance procedures listed in this section.

### CHECK FOR LOOSE FASTENERS

Before each use make a thorough visual check of the sun shade for any bolts and nuts which may have loosened. Retighten any loose bolts and nuts.

### CLEANING

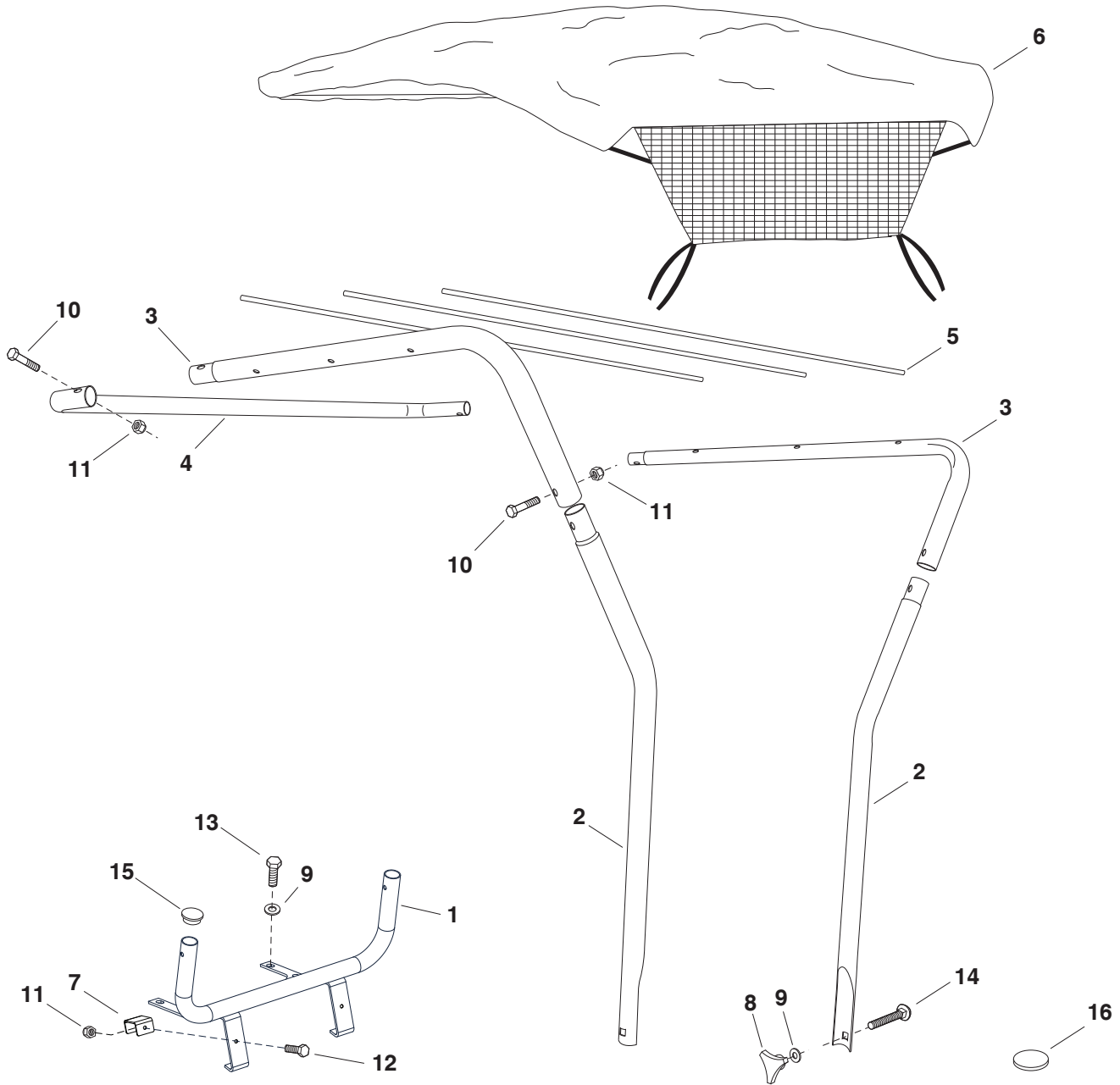
Wipe loose dirt and debris from the vinyl canopy after each use. The vinyl canopy can be washed using mild liquid soap and water.

### STORAGE

Clean the vinyl canopy thoroughly with mild liquid soap and water. Allow to dry before storing.

Store the sun shade in a clean, dry area away from direct sun light.

## REPAIR PARTS FOR MODEL 486.24230 SUN SHADE



REF. NO.	PART NO.	QTY.	DESCRIPTION	REF. NO.	PART NO.	QTY.	DESCRIPTION
1	66296	1	Base Bracket Assembly	10	43648	4	Hex Bolt, 1/4-20 x 1-1/2"
2	25014	2	Upright Tube	11	47189	6	Nylock Nut, 1/4-20
3	25013	2	Top Tube	12	43012	2	Hex Bolt, 1/4-20 x 3/4"
4	25012	1	U-Tube	13	43063	4	Hex Bolt, 5/16-18 x 1"
5	25015	3	Support Rod	14	44977	2	Carriage Bolt, 5/16-18 x 2"
6	48660	1	Vinyl Canopy	15	47674	2	Plastic Cap
7	26462	2	Support Bracket	16	48661	4	Adhesive Pad
8	43720	2	Plastic Knob		42224	1	Owner's Manual
9	43081	6	Flat Washer, 5/16"				

**NOTE:** Most fasteners are readily available through any hardware store.

# Get it fixed, at your home or ours!

## Your Home

For expert troubleshooting and home solutions advice:

**manage my home**

[www.managemyhome.com](http://www.managemyhome.com)

For repair – **in your home** – of **all** major brand appliances, lawn and garden equipment, or heating and cooling systems, **no matter who made it, no matter who sold it!**

For the replacement parts, accessories and owner's manuals that you need to do-it-yourself.

For Sears professional installation of home appliances and items like garage door openers and water heaters.

**1-800-4-MY-HOME<sup>®</sup>** (1-800-469-4663)

Call anytime, day or night (U.S.A. and Canada)

[www.sears.com](http://www.sears.com)    [www.sears.ca](http://www.sears.ca)

## Our Home

For repair of carry-in items like vacuums, lawn equipment, and electronics, call anytime for the location of your nearest

**Sears Parts & Repair Service Center**

**1-800-488-1222** (U.S.A.)    **1-800-469-4663** (Canada)

[www.sears.com](http://www.sears.com)

[www.sears.ca](http://www.sears.ca)

To purchase a protection agreement on a product serviced by Sears:

**1-800-827-6655** (U.S.A.)

**1-800-361-6665** (Canada)

Para pedir servicio de reparación a domicilio, y para ordenar piezas:

**1-888-SU-HOGAR<sup>®</sup>**

(1-888-784-6427)

Au Canada pour service en français:

**1-800-LE-FOYER<sup>MC</sup>**

(1-800-533-6937)

[www.sears.ca](http://www.sears.ca)

**Sears**

® Registered Trademark / <sup>TM</sup> Trademark / <sup>SM</sup> Service Mark of Sears Brands, LLC

® Marca Registrada / <sup>TM</sup> Marca de Fábrica / <sup>SM</sup> Marca de Servicio de Sears Brands, LLC

MC Marque de commerce / <sup>MD</sup> Marque déposée de Sears Brands, LLC

© Sears Brands, LLC