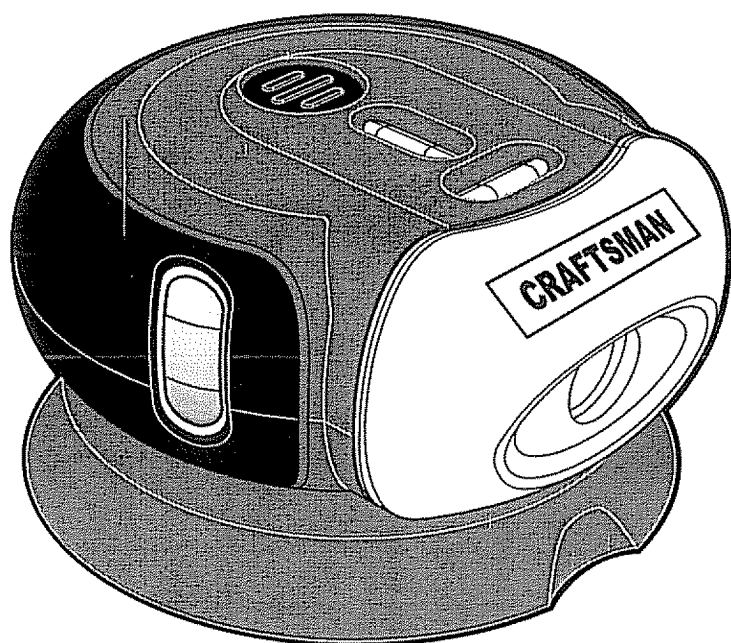


Owner's Manual

CRAFTSMAN®

Palm Grip LASER LEVEL with Laser Trac®

Model No. 320.48291



CAUTION! Before using this product, read this manual and follow all its Safety Rules and Operating Instructions.

- Safety
- Operation
- Magstic®
- Maintenance

Sears Brands Management Corporation

www.craftsman.com

TABLE OF CONTENTS

Warranty	Page 2
Safety Instruction	Page 3
Description	Page 4
Operation Instructions	Page 6
Applications	Page 11
Maintenance	Page 14
Troubleshooting	Page 15
Parts List	Page 15

ONE YEAR FULL WARRANTY ON CRAFTSMAN® PRODUCT

If this Craftsman product fails due to a defect in material or workmanship within one year from the date of purchase, **RETURN IT TO THE NEAREST SEARS STORE OR OTHER CRAFTSMAN OUTLET IN THE UNITED STATES FOR FREE REPLACEMENT.**

This warranty does not include expendable parts such as lamps, batteries, bits or blades.

If this Craftsman product is used for commercial or rental purposes, this warranty applies for only 90 days from the date of purchase.

This warranty gives you specific legal rights, and you may also have other rights, which vary from state to state.

Sears, Roebuck and Co., Hoffman Estates, IL 60179

Contents And Accessories

Palm Grip Laser Level with All-Position Leveling Base, Belt Carrying Case
6-pieces of Magstic® and Operator's Manual.

SAVE THESE INSTRUCTIONS!

READ ALL INSTRUCTIONS!

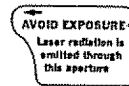
SAFETY INSTRUCTIONS

⚠ WARNING BE SURE to read and understand all instruction in this manual before using this Laser Level. Failure to follow all instructions may result in hazardous radiation exposure, electric shock, and/or bodily injury.

⚠ CAUTION The use of optical instrument with this product will increase eye hazard. Use of controls or adjustments or performance of procedures other than those specified herein, may result in hazardous laser radiation exposure.

IMPORTANT: The following labels are on your unit. They indicate where the laser light is emitted. **ALWAYS BE AWARE** of their location when using the laser tool. **ALWAYS MAKE SURE** that any bystanders in the vicinity of use are made aware of the dangers of looking directly into the laser.

WARNING! LASER LIGHT. LASER RADIATION.
Avoid Direct Eye Exposure. Do Not Stare into Fan Beam.



1. **DO NOT** remove or deface any product labels. Removing product labels increases the risk of exposure to laser radiation
2. **DO NOT** stare directly at the laser fan beam or project the laser fan beam directly into the eyes of others. Serious eye injury could result.
3. **DO NOT** place the tool in a position that may cause anyone to stare into the laser fan beam intentionally or unintentionally. Serious eye injury could result.
4. **DO NOT** use any magnifying optical tools such as, but not limited to telescopes or transits to view the laser fan beam. Serious eye injury could result.
5. **DO NOT** operate the tool around children or allow children to operate the tool. Serious eye injury could result.
6. **ALWAYS** turn the tool off when not in use. Leaving the tool on increases the risk of someone inadvertently staring into the laser fan beam
7. **DO NOT** operate tool in combustible areas such as in the presence of flammable liquids, gases or dust.
8. When using any of the base plates, **ALWAYS** check to be sure that the tool is securely mounted on the base. Damage to the tool and/or serious injury to the user could result if the tool falls.
9. **ALWAYS** use only the accessories that are sold by Sears for use with this product. Use of accessories that have been designed for use with other laser tools could result in serious injury.
10. **DO NOT** use this tool for any purpose other than those outlined in this manual. This could result in serious injury.

SAFETY INSTRUCTIONS

11. **DO NOT** leave this tool on unattended.
12. When using the Magstic adhesive material for mounting the tool to a smooth surface, **ALWAYS** make sure to place the "tool-side" of the adhesive to the tool first and then position the tool on the wall in the desired location. The Magstic material is intended for temporary hands-free use. Do not leave the tool mounted to the wall using Magstic for extended periods of time. The tool may fall from the wall resulting in damage to the tool.
13. Magstic is designed for temporary use on smooth, non-porous wall surfaces. **DO NOT** use Magstic on porous, heavily textured or wall-papered surfaces. The tool may fall from the wall resulting in damage to the tool.

DESCRIPTION

Know Your Palm Grip Laser Level (See Fig.1)

Your Craftsman Palm Grip Laser Level is a highly versatile laser tool that enhances the traditional pencil, carpenter's mark, and chalk line. It can be hand-held, magnetically mounted, Magstic® mounted to a smooth wall surface or leveled on a horizontal surface or tripod stand and provides a laser guide line on your working area. This marking and leveling tool is easy to use in many applications from simple home decorating projects to professionally installed cabinets, counter tops, hand rails, banisters, etc. The Palm Grip Laser Level is not calibrated as a measuring device and should not be used as such. It will give a precise reference mark when used as a hand-held, wall mounted tool, or tripod mounted tool.

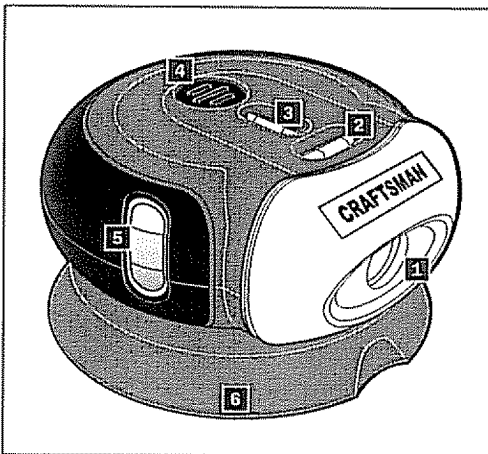


Fig. 1

1. Laser Aperture: Laser line projected from here.
2. X-Vial: Used for leveling the Palm Grip Laser Level.
3. Y-Vial: Used for leveling the Palm Grip Laser Level.
4. Laser Push Button: Turn on/off the laser light.
5. Z-Vial: Used for leveling the Palm Grip Laser Level when laser level is in vertical position only.
6. All-Position Leveling Base: leveling and supporting base of Palm Grip Laser Level.

DESCRIPTION

NEW! Magstic Non-Marring Adhesive Strips. (see Fig. 2)

Magstic is an innovative technology that is washable and reusable. To use, remove the "RED" tab (Tool Side) and apply the Magstic adhesive strip to the underside of the tool's base. Remove the "GREEN" tab (Wall Side) and press the tool firmly against the surface in the desired location. After leveling, carefully remove the tool and base from the surface. Replace the green plastic tab on the wall side of the Magstic for storage. The Magstic adhesive strips should remain on the base of the tool. Once Magstic is removed from the tools base, it will no longer be usable.

To clean the wall side of the Magstic adhesive, wipe a damp cloth across each strip. Once the wall side adhesive has become non-usable, replace with fresh adhesive strips.

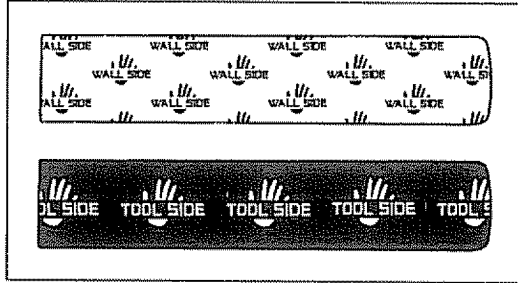


Fig. 2

Placing Magstic on the Base of the Palm Grip Laser Level (see Fig. 3)

For best adhesion, place the tool side of the adhesive on the bottom of the base of the tool first. Then position the tool on the smooth wall or surface in the desired location. The tool can then be leveled on the base for the desired angle.

⚠ CAUTION Remove the Magstic from the wall after use. Place the "wall-side" protective tab back on the adhesive material to help keep it clean. If the Magstic material is soiled during use,

it can be cleaned with a damp cloth. Magstic is not intended to be used once it has been removed from the tool. Once removed from the tool, the strips will not be usable. Replace with new Magstic strips.

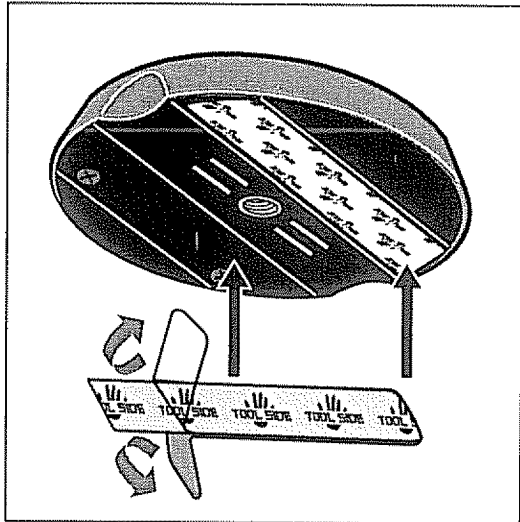


Fig. 3

TECHNICAL SPECIFICATIONS

Recommended Use	Indoors
Laser Diode Type	Red Laser Diode 635–665nm
Laser Class	Class IIIa, Maximum Power Output ≤ 2.5 mW
Power Supply	2 “AAA” 1.5-Volt Batteries
Estimated Battery Life	40 Hours of Continuous Run with Alkaline Batteries
Optimum Operating Temperature	30°F to 104°F (–1°C to 40°C)
Range	0–30 Feet
Accuracy	+/- 1/2" at 30 Feet

OPERATION

To Install Batteries (See Fig. 4 & 5)

This Palm Grip Laser Level uses two “AAA” batteries. (Sold separately)

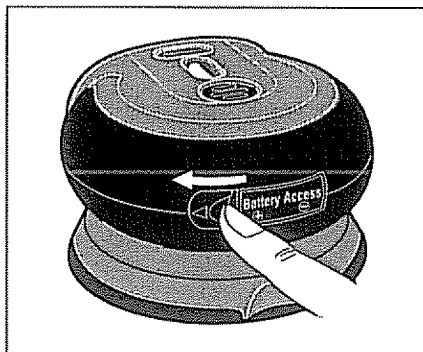


Fig. 4

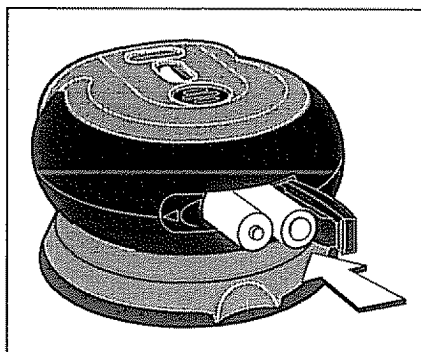


Fig. 5

1. **Push** lightly on the level in the direction of the marked arrow shown in Fig. 4. The battery compartment cover will be opened automatically at once.
2. Install the batteries with the correct polarity as shown on the battery compartment cover (Fig. 5).
3. **Push** close the battery compartment cover in place.

OPERATION

TO TURN THE TOOL ON/OFF

The button to turn the Craftsman Palm Grip Laser Level ON/OFF is located on the top housing of the tool. (See Fig. 1)

1. To turn the Palm Grip Laser Level **ON**, push the "ON/OFF" button down once.
2. To turn **OFF**, push the button down once.

⚠ WARNING When turning **ON** the Palm Grip Laser Level, **ALWAYS** be aware of protecting your eyes and those around you. **NEVER** point the Palm Grip Laser Level at anyone's face including your own.

USE OF LASER ENHANCING SAFETY GLASSES (Supplied) will improve the performance of the tool in bright light conditions.

⚠ WARNING Laser Enhancing Safety Glasses **WILL NOT** protect the eyes from damage that could result from looking directly into the laser projection.

The Palm Grip Laser Level Is A Two-Piece Device

The All-Position leveling base has two built in magnets. One magnet attaches the palm laser to the base. Another magnet is located on the bottom of the base and will allow it to attach to a steel plate. Pulling the two pieces apart will separate them as shown in Fig. 6.

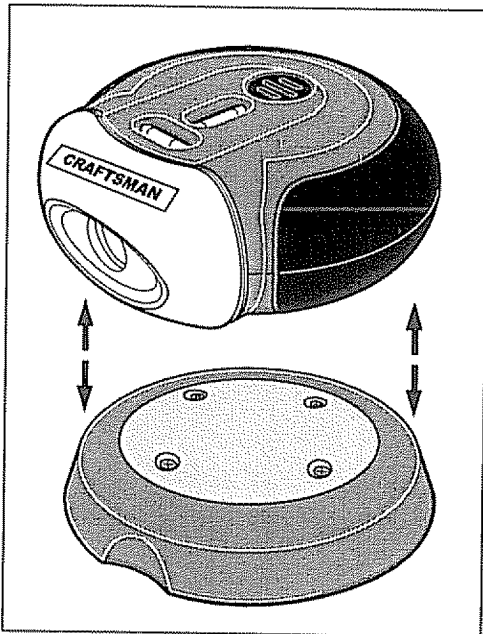


Fig. 6

OPERATION

The All-Position Leveling Base (See Fig. 7)

Your Palm Grip Laser Level comes with a spherical base which allows the level to be finely adjusted to the desired angle when using the base on a surface that is not level or plumb.

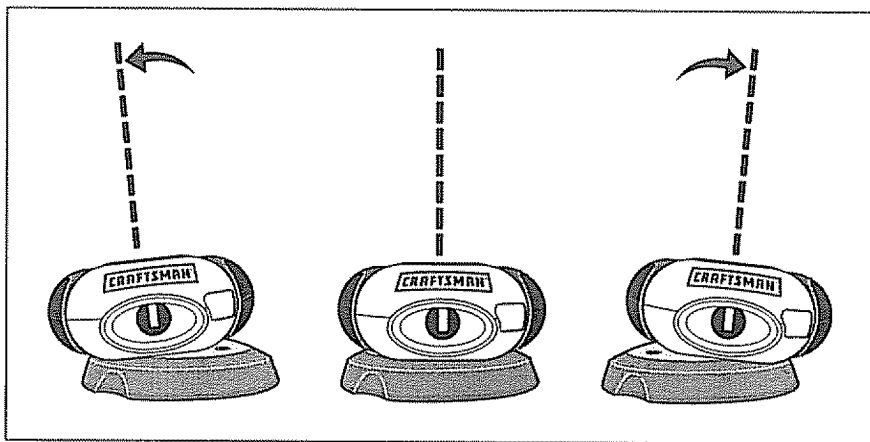


Fig. 7

NOTE: To use the level on two adjacent surfaces it must be plumb (vertical) on the surface to which it is mounted. Fig. 7 illustrates how the level can be adjusted on the base.

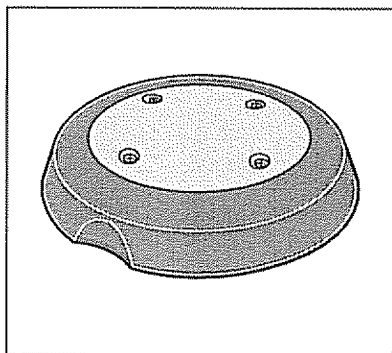


Fig. 8

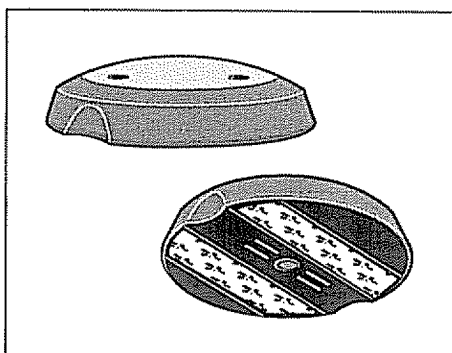


Fig. 9

CAUTION When using the Magstic® adhesive material to secure the Palm Grip Laser Level to a smooth wall surface, make sure to place the “tool side” of the Magstic to the underside of the base of the tool and the “wall side” of the Magstic to the smooth wall surface.

OPERATION

Using The All-Position Leveling Base

To use the All-Position Leveling Base in conjunction with the Palm Grip Laser Level, it is best to place the level on the base for preliminary alignment of the laser line on the wall.

1. Without turning the Laser Level on, place it on the All-Position Leveling Base. Two magnets (one in the bottom of the laser and one in the top of the base) hold the base and the level together. This spherical/magnetic design allows adjustment for horizontal (level) and vertical (plumb) of the laser line.
2. Once the level is on the base, turn the level "ON" being careful not to point the laser line in the direction of anyone's eyes including your own.
3. Place the level/base assembly on the wall and position the line across the surface(s) and at the approximate height you want to draw a level line.

Leveling The Palm Grip Laser Level On All-Position Leveling Base (See Fig. 10)

There are two level vials (x, y) on the top of the Palm Grip Laser Level and a third vial located on the side (z) of the laser level (Fig. 1 #5). With the All-Position Leveling Base and the Palm Grip Laser Level connected, align the bubble of one or both of the (x,y) or (z) vials. This will allow for horizontal (level) or vertical (plumb) level adjustments (Fig. 10).

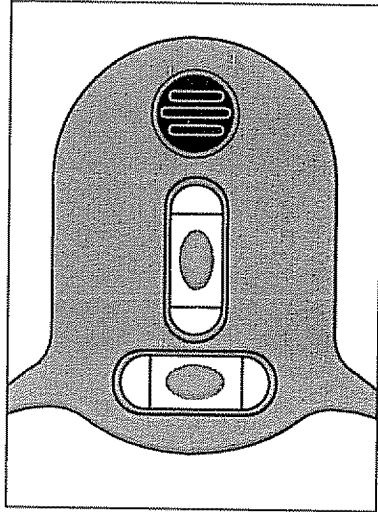


Fig. 10

OPERATION

Using The Level With A Tripod (Not Included)

Because the Palm Grip Laser Level is a "forward" projection device, it can be placed on any reasonably level flat surface to draw a plumb vertical line. When used in conjunction with any standard tripod (1/4-20 UNC threaded fitting) versatility is further enhanced (See Fig. 11).

Mounting The Level To A Tripod (See Fig. 12)

1. Attach the All-Position Leveling Base to the tripod using the standard 1/4-20 UNC threaded fitting included with the tripod. (See Fig. 11).
2. Place the level on the All-Position Leveling Base.
3. Push the "ON/OFF" button once to turn the level. DO NOT point tool in the direction of your eyes or anyone else's eyes in the vicinity of use.
4. Determine a line with two points A, B (Fig. 12). Align your laser fan beam to these points.

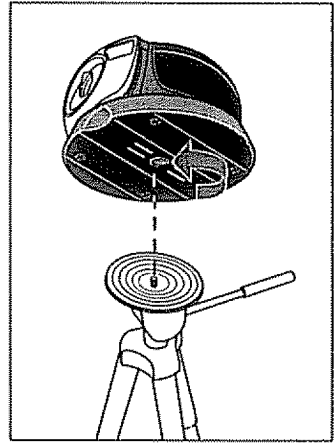


Fig. 11

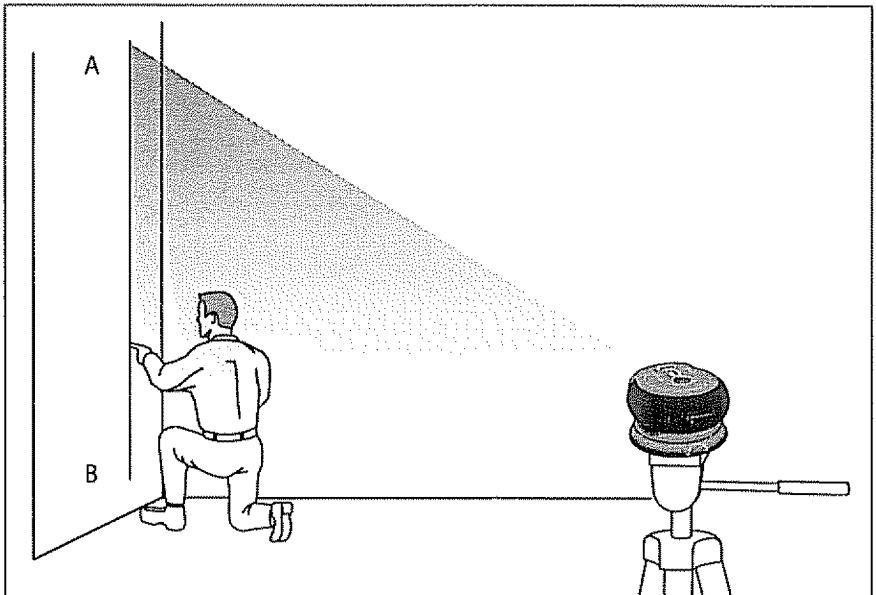


Fig. 12

APPLICATION

Referencing And Leveling Across Two Adjacent Surfaces

The Palm Grip Laser Level can be used to align a single object or objects on two adjacent walls. The All-Position Leveling Base has a magnetic bottom that will attach to virtually any steel surface. The laser has a broad range of applications, such as aligning tile on the wall, lining up kitchen and bath cabinets, hanging wallpaper, aligning junction boxes and laying wall or floor tile. The Palm Grip Laser Level's laser fan beam is also useful when working with two adjacent surfaces.

Fig. 13 illustrates the use of the laser fan beam in aligning pictures on two opposing walls. Keep in mind that the bubbles of Y-Vial and Z-Vial should be adjusted so the bubbles are in the center of each vial.

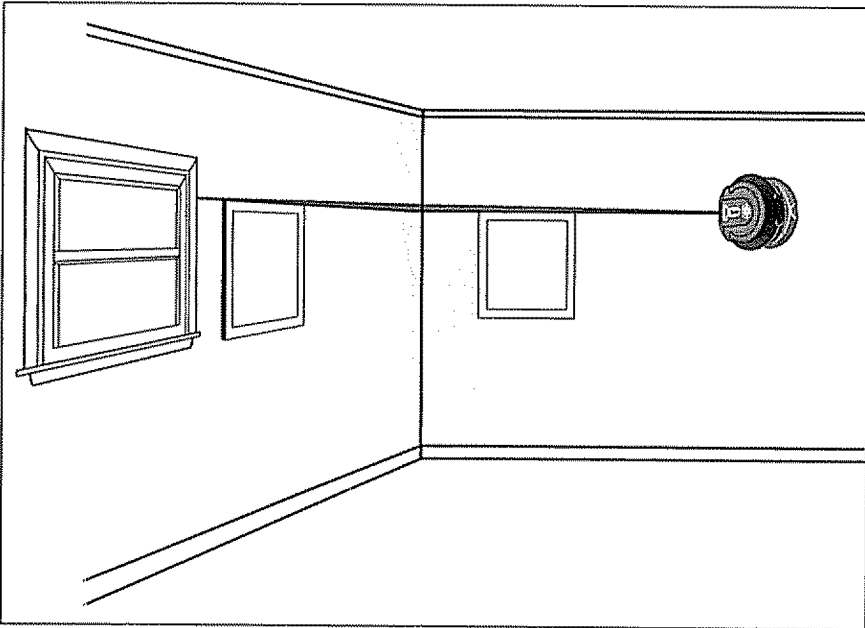


Fig. 13

APPLICATION

Working With Obstructions And User Interference

As discussed, the Palm Grip Laser Level is a forward projection device. The nature of the laser light as it is projected from the level is that of a plane rather than a line. This laser fan beam covers the entire line area from end point to end point (Fig. 14). As such the line is not completely blocked by obstructions or user interference.

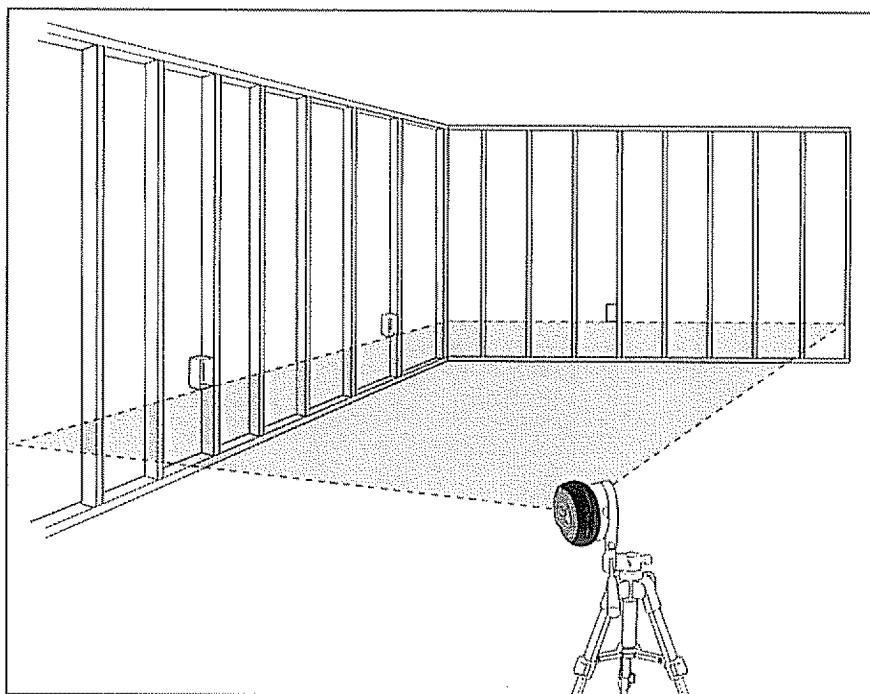


Fig 14.

Note in Fig.15 how the laser line projects around the hot water heater and the adjacent line on either side of the heater remains straight and level.

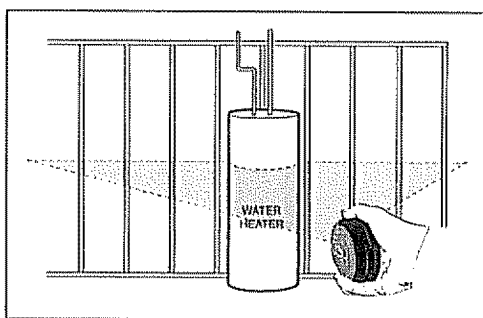


Fig. 15

OPERATION

Using The Palm Grip Laser Level As A Hand-Held Reference Device (See Fig. 16)

With the Laser Level body in the palm of your hand, turn it "ON" being careful not to point it in the direction of anyone's eyes including your own. Note that it projects a horizontal or vertical line "forward" in front of your position. Used in this manner it becomes a very handy reference device for checking the alignment of most anything including quick references across and alignment of any two points of reference. It makes easy work of lining up cut-outs, fixtures on drywall, checking wall paper, and paint trim. Used in this manner it is also ideal for insuring straight placement of mounted fixtures and brackets, such as stair railing fittings as shown in Fig. 16.

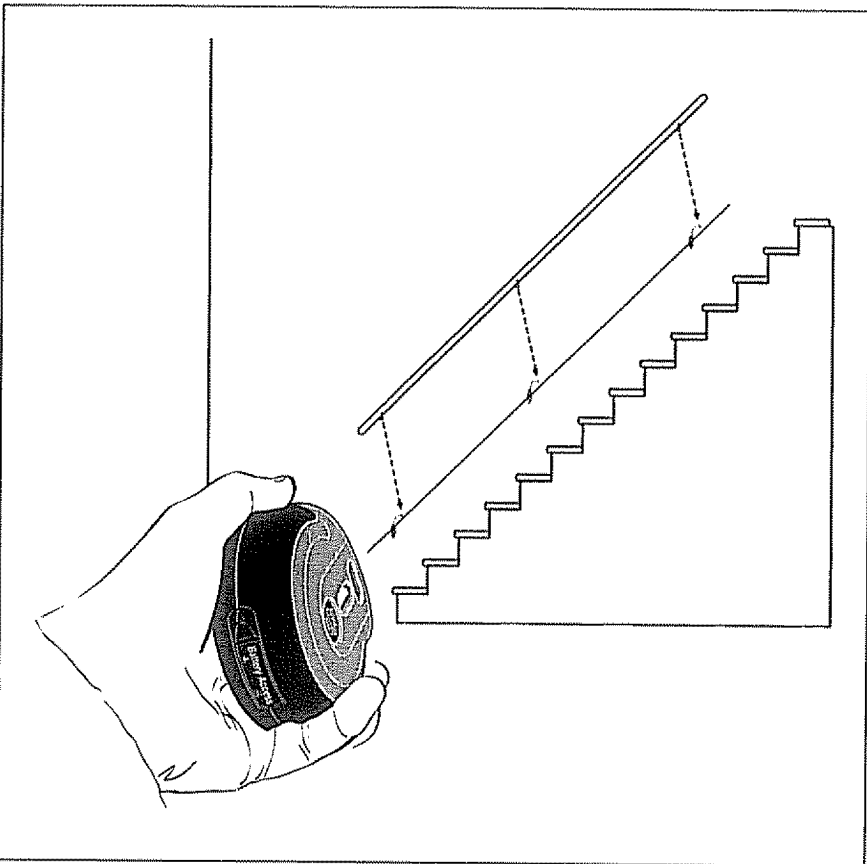


Fig. 16

MAINTENANCE

This Palm Grip Laser Level has been designed to be a low-maintenance tool. However, in order to maintain its performance, you must always follow these simple directions.

1. **ALWAYS** handle the tool with care. Treat it as an optical device, such as a camera or binoculars.
2. **AVOID** exposing the tool to shock, continuous vibration or extreme hot or cold temperature.
3. **ALWAYS** store the tool indoors. When not in use, **ALWAYS** store the tool in its protective case.
4. **ALWAYS** keep the tool free of dust and liquids. If needed, use **ONLY** a soft cloth or cotton swab and glass cleaner to clean the laser emitting window.
5. **ALWAYS** clean and thoroughly dry the tool after each use.
6. Check the batteries regularly to avoid deterioration. **ALWAYS** remove the batteries from the tool if it is not going to be used for an extended period of time.
7. **DO NOT** disassemble the Palm Grip Laser Level. This will not only void the warranty, but could expose the user to hazardous radiation exposure.
8. **DO NOT** attempt to change any part of the laser lens.
9. **ALWAYS** remove the Magstic adhesive material from the wall surface immediately after use and place the protective tabs back on the adhesive for storage. If the Magstic material gets soiled, it can be cleaned with a damp cloth.
10. Magstic is intended to be used on smooth surfaces only. Magstic is **NOT** intended to be used on rough textured or rough wall-papered walls.
11. **Do not** remove Magstic from the base of the tool unless new Magstic is required. Removing Magstic from the base of the tool will damage the adhesive strips and they will no longer be usable.

TROUBLESHOOTING

PROBLEM	CAUSE	SOLUTION
The Laser line projection is weak	Batteries are weak	Replace with new batteries
The Laser line is hard to see	The tool is too far from the target	Move the tool closer to the target
The Laser line is not projected	Power button is not "ON" Polarity of the batteries is incorrect	Check to make sure the power button is in the "ON" position Reinstall the batteries according to the polarity indicator in the battery compartment
The Laser line projected is not level	The level bubbles of the vials are not centered	Attach the laser level to the precision leveling base and turn adjustment knobs until the bubbles are centered in the middle of the two reference lines
Magstic adhesive is not adhering to surface	Magstic is dirty Magstic adhesive has expired	Clean Magstic thoroughly with a damp cloth and let dry Replace Magstic material
Magstic adhesive is not adhering to the tool	"Wall Side" of the adhesive is used on the tool Magstic adhesive has expired	Make sure the "Tool Side" of the adhesive is used on the base of the tool Replace Magstic material

MAGSTIC REPLACEMENT

The Laser Level Model Number is found on the cover of this manual. Always mention the Model Number when ordering replacement Magstic adhesive strips.

Parts No.	Part Description	Quantity
3703724001	Magstic	6 Pieces

Get it fixed, at your home or ours!

Your Home

For expert troubleshooting and home solutions advice:

manage  home

www.managemyhome.com

For repair – **in your home** – of all major brand appliances, lawn and garden equipment, or heating and cooling systems, **no matter who made it, no matter who sold it!**

For the replacement parts, accessories and owner's manuals that you need to do-it-yourself.

For Sears professional installation of home appliances and items like garage door openers and water heaters.

1-800-4-MY-HOME®

(1-800-469-4663)

www.sears.com

Call anytime, day or night

(U.S.A. and Canada)

www.sears.ca

Our Home

For repair of carry-in items like vacuums, lawn equipment, and electronics, call anytime for the location of the nearest **Sears Parts & Repair Service Center**

1-800-488-1222 (U.S.A.)

www.sears.com

1-800-469-4663 (Canada)

www.sears.ca

To purchase a protection agreement on a product serviced by Sears:

1-800-827-6655 (U.S.A.)

1-800-361-6665 (Canada)

Para pedir servicio de reparación a domicilio, y para ordenar piezas:

1-888-SU-HOGAR®

(1-888-784-6427)

Au Canada pour service en français:

1-800-LE-FOYER^{MC}

(1-800-533-6937)

www.sears.ca

Sears

© Sears Brands, LLC

® Registered Trademark / TM Trademark / SM Service Mark of Sears Brands, LLC

© Marca Registrada / TM Marca de Fábrica / SM Marca de Servicio de Sears Brands, LLC

^{MC} Marque de commerce / ^{MD} Marque déposée de Sears Brands, LLC