

Operator's Manual

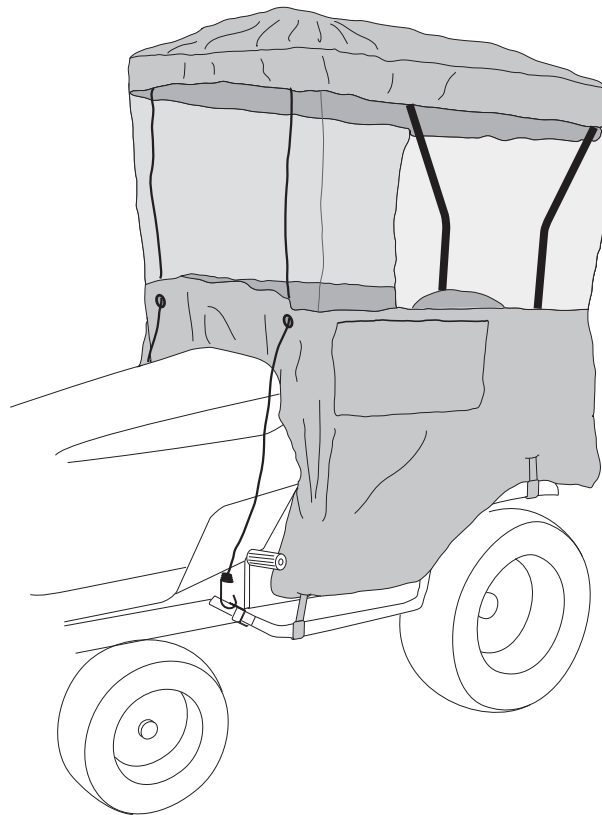
CRAFTSMAN®



SNOW CAB

Model No. 486.24277

DO NOT RETURN TO STORE
For Missing Parts or Assembly
Questions Call 1-866-576-8388



CAUTION:

Before using this product, read this manual and follow all Safety Rules and Operating Instructions.

- Safety
- Assembly
- Operation
- Maintenance
- Parts

Sears, Roebuck and Co., Hoffman Estates, IL 60179 U.S.A.
www.sears.com/craftsman

PRINTED IN U.S.A.

FORM NO. 41366 (12/08/09)



SAFETY RULES



Any power equipment can cause injury if operated improperly or if the user does not understand how to operate the equipment. Exercise caution at all times, when using power equipment.

- This cab provides foul weather protection only. It does not provide protection against exhaust fumes, collision, rollover or other accidents.
- Read the snow cab and vehicle owner's manuals and know how to operate your vehicle before using the snow cab attachment.
- Be sure there is adequate ventilation when using the tractor and snow cab in confined areas.
- The snow cab will restrict your field of vision in some directions. Use extra caution when operating your tractor with the snow cab attached.
- Watch out for low tree limbs or other overhead obstructions that may not previously have interfered with operation of the tractor. The extra height of the snow cab may cause these objects to become obstacles.
- Check the area of operation thoroughly before using the tractor.



Look for this symbol to point out important safety precautions. It means — **Attention!! Become alert!! Your safety is involved.**

WARRANTY

CRAFTSMAN ONE-YEAR FULL WARRANTY

When assembled, operated and maintained according to the supplied instructions, if this product fails due to a defect in material or workmanship within one year from the date of purchase, return it to any Sears store or other Craftsman outlet in the United States for free replacement.

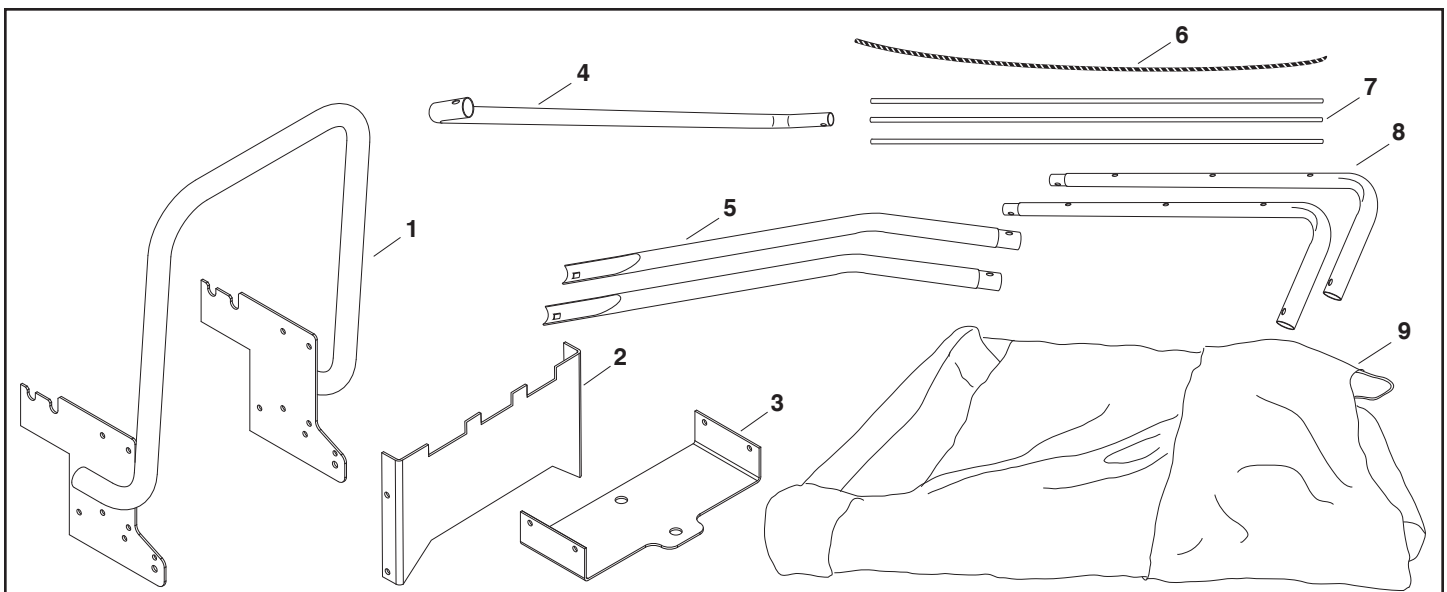
This warranty is void if this product is ever used for commercial or rental purposes.

This warranty gives you specific legal rights, and you may also have other rights which vary from state to state.

Sears, Roebuck and Co., D817WA, Hoffman Estates, IL 60179

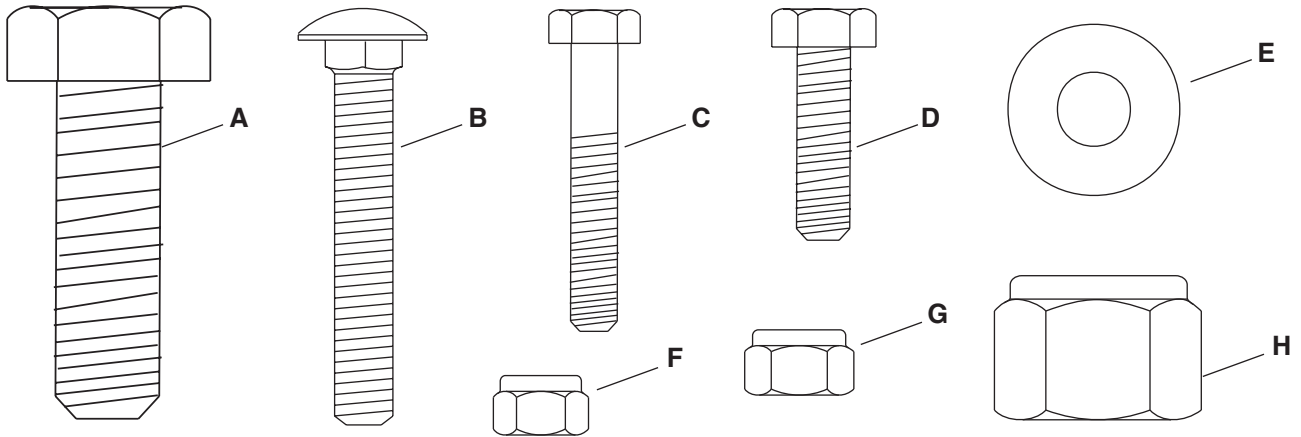
CARTON CONTENTS

- | | | | | | |
|----|-----------------|----|-------------------|----|------------------------|
| 1. | Base Assembly | 4. | U-Tube | 7. | Support Rods (3) |
| 2. | Weight Bracket | 5. | Upright Tubes (2) | 8. | Top Tubes (2) |
| 3. | Drawbar Bracket | 6. | Rope | 9. | Vinyl Canopy |
| | | | | | Parts Bag (see page 3) |

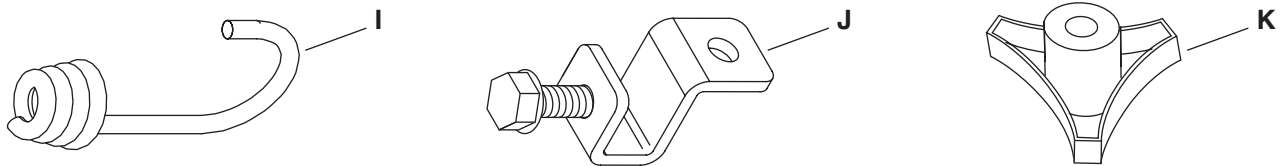


HARDWARE PACKAGE

SHOWN FULL SIZE



NOT SHOWN FULL SIZE

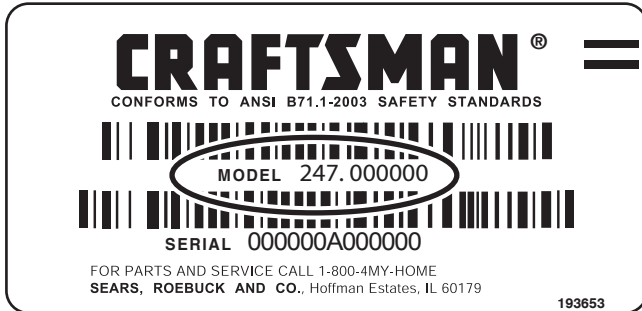


REF.	QTY.	DESCRIPTION	REF.	QTY.	DESCRIPTION
A	1	Hex Bolt, 5/8" x 1-3/4"	G	8	Nylock Nut, 5/16"
B	2	Carriage Bolt, 5/16 x 2"	H	1	Nylock Nut, 5/8"
C	4	Hex Bolt, 1/4 x 1-1/2"	I	4	Spiral Hook
D	8	Hex Bolt, 5/16" x 1"	J	2	Footrest Clamp
E	2	Flat Washer, 5/16"	K	2	Plastic Knob
F	4	Nylock Nut, 1/4"			

ASSEMBLY

LOCATE MODEL LABEL OF TRACTOR

- Look under your tractor seat and locate the serial number as shown. Refer to the chart below and check that your tractor is compatible.



COMPATIBLE MODEL NUMBERS	
247.28906	247.28981
247.28980	247.28875
247.28672	

TOOLS REQUIRED FOR ASSEMBLY

- (2) 7/16" Wrenches
- (2) 1/2" Wrenches
- (1) 3/4" Wrench
- (2) 15/16" Wrenches

REMOVAL OF PARTS FROM TRACTOR

- Remove any rear mounted attachments which may be installed on your tractor
- Mark and save all removed parts.

STEP 1: (SEE FIGURE 1)

- Assemble the drawbar bracket to the base assembly using four 5/16" x 1" hex bolts and 5/16" nylock nuts. See figure 3. Do not tighten yet.
- Attach the weight bracket to the base assembly using four 5/16" x 1" hex bolts and 5/16" nylock nuts.

Note: The weight bracket holds up to three suitcase type weights to improve traction. Purchase weights separately.

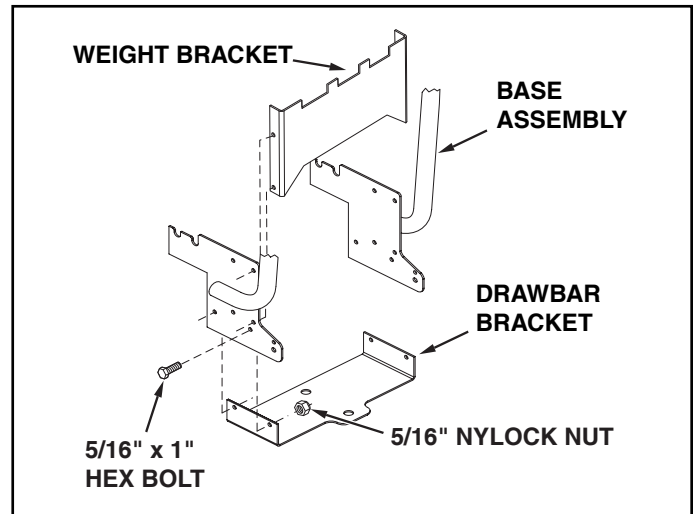


FIGURE 1

STEP 2: (SEE FIGURE 2)

- Hook the base assembly under the shoulder bolts on the sides the tractor frame using the front notches in the base assembly. Align the hole in the bottom of the base assembly with the hole in the tractor drawbar. Insert the 5/8" x 1-3/4" hex bolt and secure it with the 5/8" nylock nut.

Note: The seat may need to be tilted forward on some tractors to ease assembly.

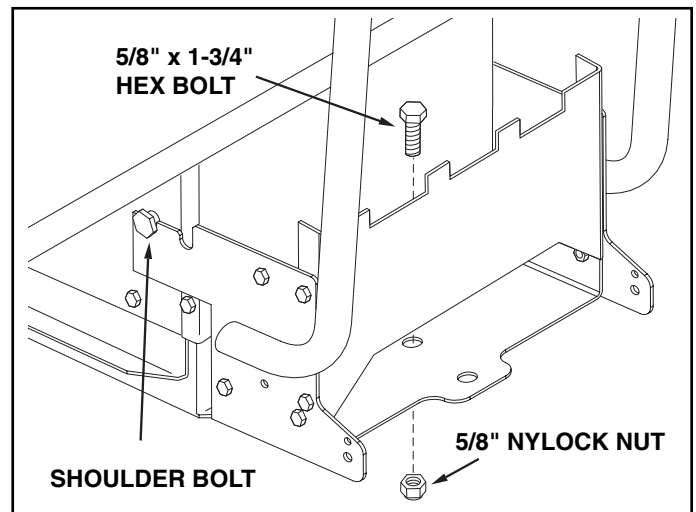


FIGURE 2

STEP 3: (SEE FIGURE 3)

- Assemble the upright tubes to the base assembly using two 5/16-18 x 2" carriage bolts (from outside) and two 5/16" flat washers and plastic knobs (from inside).

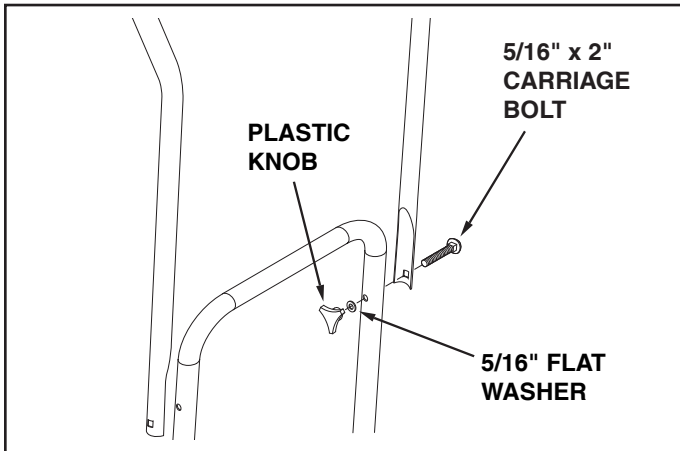


FIGURE 3

STEP 4: (SEE FIGURE 4)

- Assemble the top tubes to the upright tubes using two 1/4" x 1-1/2" hex bolts (from outside) and two 1/4" nylock nuts (inside). **Do not tighten yet.**
- Fit the front U-tube onto the top tubes. Fasten the tubes together using two 1/4" x 1-1/2" hex bolts (on outside) and two 1/4" nylock nuts (on inside). **Tighten all loose bolts.**
- Fit the three support rods into the holes in the top tubes, with the rods arching upward. **Do not over bend the rods when installing.**

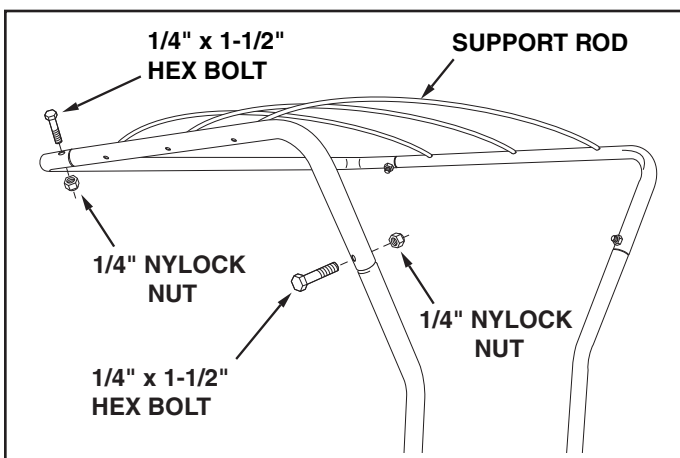


FIGURE 4

STEP 5: (SEE FIGURE 5)

- Install a footrest clamp with preassembled bolt onto the front edge of each footrest, with the bolt underneath the footrest.
- Raise the tractor's hood. Place the snow cab canopy onto the tubing frame, draping the front flap down in front of the tractor's dash panel. Lower the hood, trapping the front flap under the hood. Secure the sides of the canopy by fastening the elastic hooks to the bottom edge of the footrest and fender. Levers or handles on snowthrowers and snow blades should be located outside of the cab.

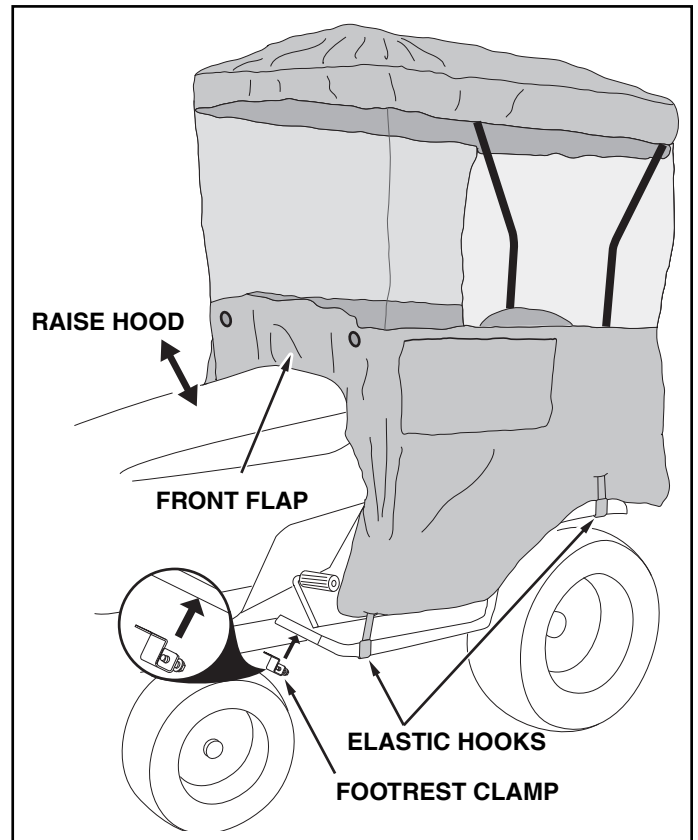


FIGURE 5

STEP 6: (SEE FIGURE 6)

- Assemble two spiral hooks into holes on top of u-tube at front of tubing frame.
- Insert ends of rope down through spiral hooks attached to u-tube and then insert ends through two grommets in front of canopy.

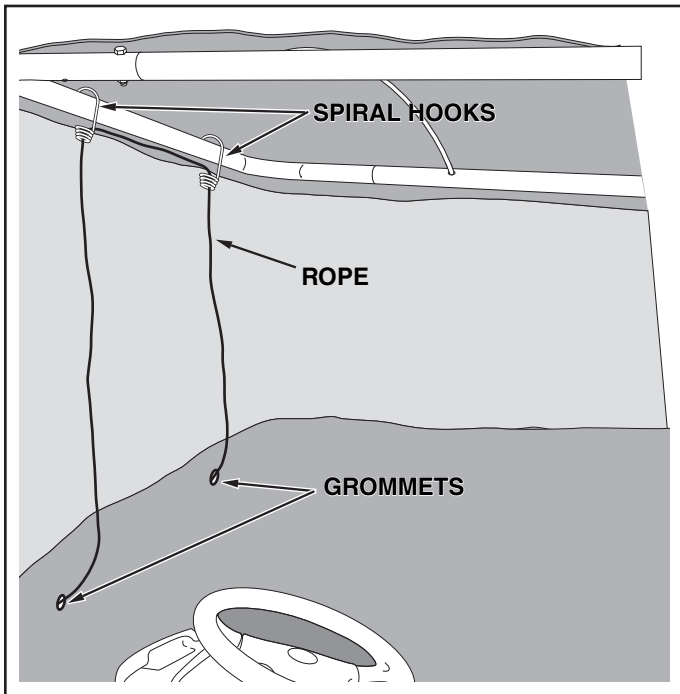


FIGURE 6

STEP 7: (SEE FIGURE 7)

- Insert one end of rope through a third spiral hook and tie a knot in end of rope.
- Assemble spiral hook with rope attached through hole in footrest clamp.
- Insert other end of rope through remaining spiral hook. Tie a knot in end of rope so that when hooked to other footrest clamp the rope is tight and canopy frame is stable.

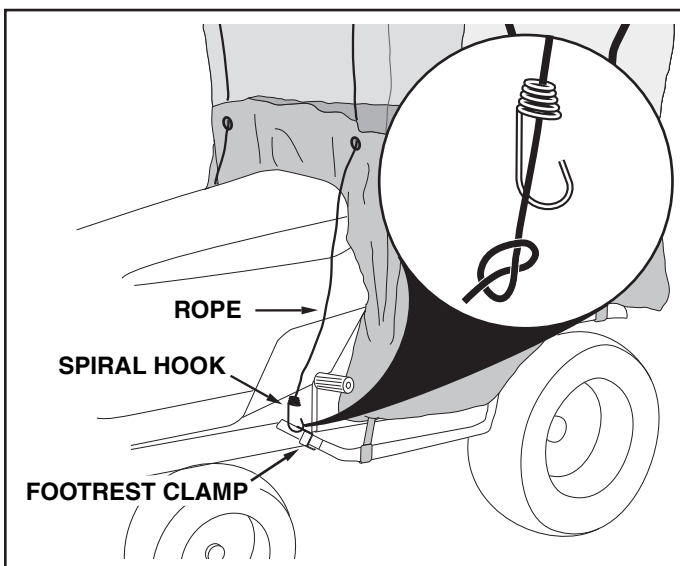


FIGURE 7

OPERATION

Read this owner's manual and safety rules before operating your tractor with the Snow Cab.



CAUTION: Watch out for low tree limbs and other overhead objects which may interfere with the snow cab.



CAUTION: This cab provides foul weather protection only. It does not provide protection against exhaust fumes, collision, rollover or other accidents.



CAUTION: Never transport the tractor in an open truck or open trailer while the snow cab is attached.

- Check the area of operation thoroughly before using the tractor with the snow cab. The added height of the snow cab and a reduced field of vision require extra caution during operation.
- Enter the snow cab on the left side at the rear. Unfasten the elastic hook at the bottom and the velcro fastener in the top in the rear corner.
- Operate outside controls on a snowthrower or snow blade through the access flaps in the sides of the canopy.
- Up to three suitcase type weights can be added to the weight bracket on the snow cab to increase traction of the rear tires.
- Remove the upper snow cab frame and canopy before you transport the tractor in an open truck or open trailer.

MAINTENANCE

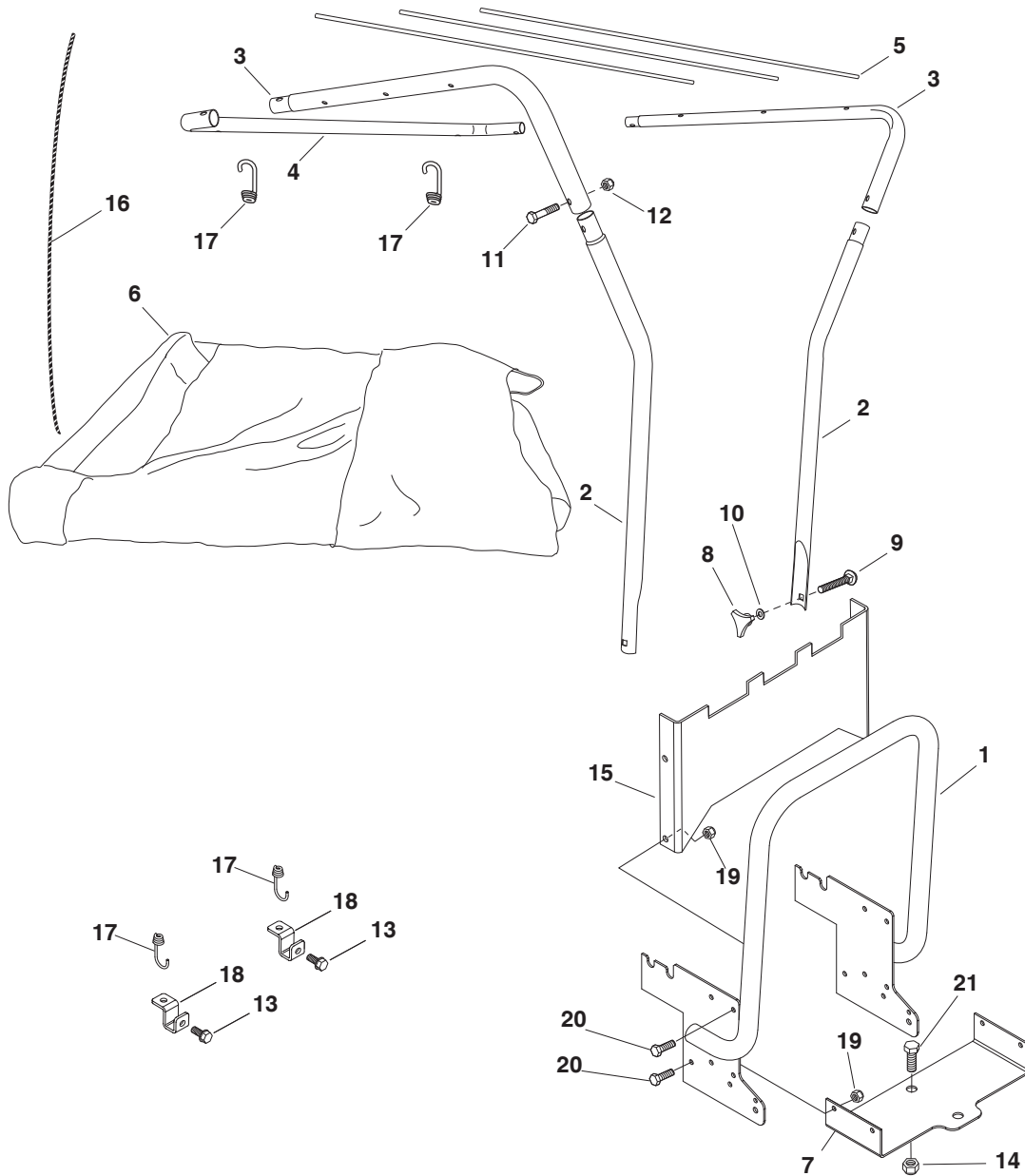
- Before each use make a thorough visual check of the snow cab for any bolts and nuts which may have loosened. Retighten any loose bolts and nuts.
- The vinyl portion of the canopy can be washed using water only, or a mild liquid soap and water.
- The plastic windows should only be washed using running water, or a mild liquid soap and water. Wash the windows with your bare hands only. A cloth, sponge or brush will scratch the clear plastic.

IMPORTANT: Never clean the windows when the plastic is dry. The clear plastic will scratch.

- Clean the vinyl canopy thoroughly and allow to dry before storing. Refer to the Cleaning section.
- Store the snow cab in a clean, dry area away from direct sun light.

REPAIR PARTS ILLUSTRATION

486.24277 SNOW CAB



REF. NO.	PART NO.	QTY.	DESCRIPTION	REF. NO.	PART NO.	QTY.	DESCRIPTION
1	64717	1	Base Assembly	12	47189	4	Nylock Nut, 1/4-20
2	25014	2	Upright Tube	13	46703	2	Hex Bolt, 5/16-18 x 3/4" Self Thd.
3	25013	2	Top Tube	14	712-0261	1	Hex Nut, 5/8-11 Nylock
4	25012	1	U-Tube	15	25703	1	Weight Bracket
5	25015	3	Support Rod	16	49017	1	Rope
6	48895	1	Vinyl Canopy	17	49016	4	Spiral Hook
7	25141	1	Drawbar Bracket	18	64802	2	Footrest Clamp
8	43720	2	Plastic Knob	19	47810	8	Nylock Nut 5/16-18
9	44977	2	Carriage Bolt, 5/16-18 x 2"	20	43063	8	Hex Bolt, 5/16-18 x 1"
10	43081	2	Flat Washer, 5/16"	21	47951	1	Hex Bolt, 5/8-11 x 1-3/4"
11	43648	4	Hex Bolt, 1/4-20 x 1-1/2"		49829	1	Owner's Manual

Get it fixed, at your home or ours!

Your Home

For expert troubleshooting and home solutions advice:

manage my home

www.managemyhome.com

For repair – **in your home** – of **all** major brand appliances, lawn and garden equipment, or heating and cooling systems, **no matter who made it, no matter who sold it!**

For the replacement parts, accessories and owner's manuals that you need to do-it-yourself.

For Sears professional installation of home appliances and items like garage door openers and water heaters.

1-800-4-MY-HOME[®] (1-800-469-4663)

Call anytime, day or night (U.S.A. and Canada)

www.sears.com www.sears.ca

Our Home

For repair of carry-in items like vacuums, lawn equipment, and electronics, call anytime for the location of your nearest

Sears Parts & Repair Service Center

1-800-488-1222 (U.S.A.)

www.sears.com

1-800-469-4663 (Canada)

www.sears.ca

To purchase a protection agreement on a product serviced by Sears:

1-800-827-6655 (U.S.A.)

1-800-361-6665 (Canada)

Para pedir servicio de reparación a domicilio, y para ordenar piezas:

1-888-SU-HOGAR[®]

(1-888-784-6427)

Au Canada pour service en français:

1-800-LE-FOYER^{MC}

(1-800-533-6937)

www.sears.ca

Sears

© Registered Trademark / TM Trademark / SM Service Mark of Sears Brands, LLC

© Marca Registrada / TM Marca de Fábrica / SM Marca de Servicio de Sears Brands, LLC

^{MC} Marque de commerce / ^{MD} Marque déposée de Sears Brands, LLC

© Sears Brands, LLC