

# eChoice Bezel Kit Installation Guide

## General Information

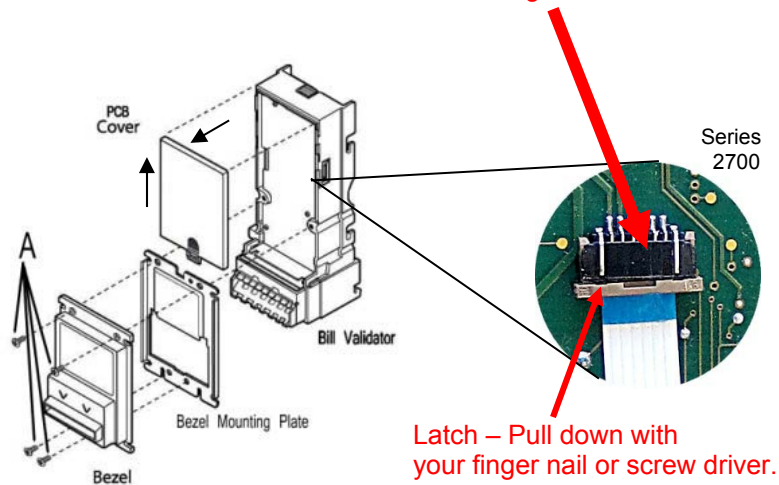
The eChoice Bezel Kit has been designed to add a cashless payment system to a Series 2600 or Series 2700 MEI note validator. These note validators connect to the vending machine using the MDB interface.

## The eChoice Bezel replaces a VFM bezel.

1. Turn **OFF** power.
2. Unplug the Validator's MDB cable from vending machine chain.
3. Remove the note validator from the vending machine.  
(Four (4) - 11/32" nuts hold the validator in the machine).

## To remove the old bezel from the validator:

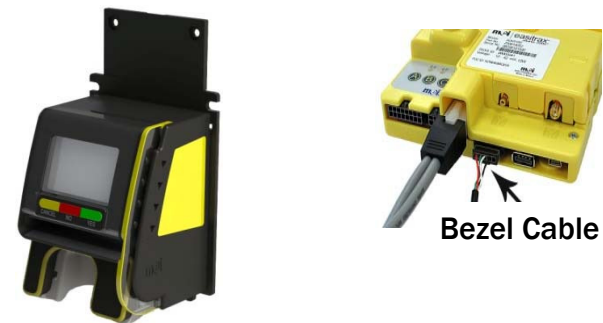
1. Remove the three or four phillips screws (A) located on the front of the bezel.
2. Slide the PCB cover ¼ inch towards the top of the validator and lift it off.
3. Remove the old bezel and mounting plate. **If you are removing a High Visibility or 3 in 1 Bezel, carefully disconnect the ribbon cable from the validator circuit board before lifting the old bezel off.**



4. Place the new mounting plate and the eChoice Bezel on the note validator, and tighten the screws. The ground wire should be connected to the mounting plate under bezel and out of view.
5. Be careful not to pinch or damage the bezel cable when installing the eChoice Bezel.



6. Re-install the PCB cover.
7. Remount the note validator in the vending machine.  
(Four (4) - 11/32" nuts hold the validator in the machine).
8. Plug in the MDB cable from the Validator into the Vending machine MDB chain.
9. Plug the eChoice Bezel cable into the Advance 5000 Bezel Socket.



See the Advance 5000 manual for installation instructions.

FCC ID: QP8ECHOICE

CANADA - IC: 1297A-ECHOICE

CAUTION: changes or modifications not expressly approved by the party responsible for compliance could void the user's authority to operate the equipment. This device complies with part 15 of the FCC rules. Operation is subject to the following two conditions: (a) This device may not cause harmful interference, and (b) this device must accept any interference received, including interference that may cause undesired operation.

Le présent appareil est conforme aux CNR d'Industrie Canada applicables aux appareils radio exempts de licence. L'exploitation est autorisée aux deux conditions suivantes : (1) l'appareil ne doit pas produire de brouillage, et (2) l'utilisateur de l'appareil doit accepter tout brouillage radioélectrique subi, même si le brouillage est susceptible d'en compromettre le fonctionnement.



**CRANE** PAYMENT INNOVATIONS

For  
Series 2600  
Series 2700  
Note  
Validators



**eChoice  
Bezel**

Contact MEI Technical Support @ 1-800-345-8172 with any questions.  
CPI 3222 Phoenixville Pike, Suite 200, Malvern, Pa. 19355



Cash • Coupons • Magnetic Stripe Cards  
Contact (EMV) Cards • Contactless Cards

©2016 CPI. Part # XXXXXXXXX

[www.cranepi.com](http://www.cranepi.com)