

CRATE

GT10

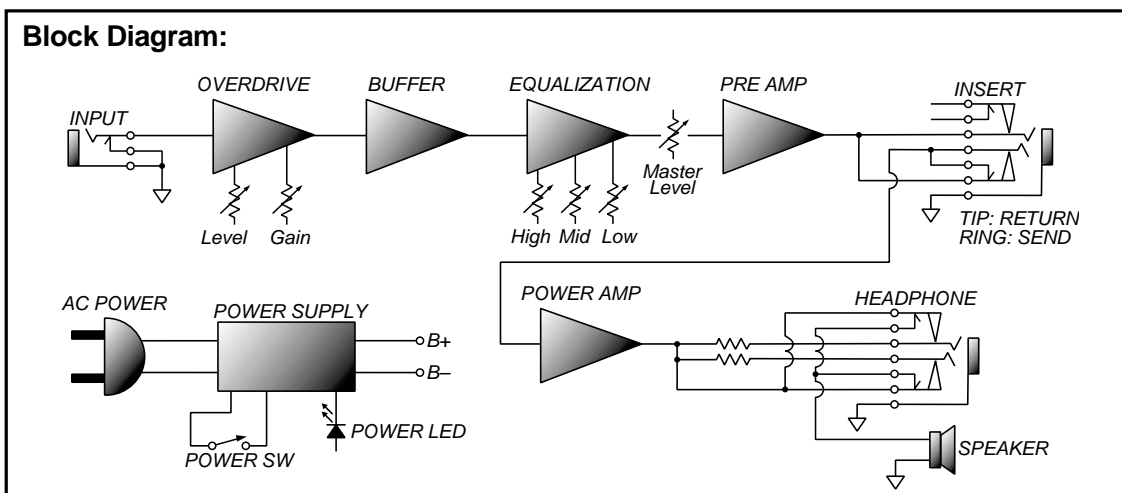
Guitar Amplifier



Owner's Manual

Congratulations and thank you for choosing the Crate GT10 Guitar Amplifier. This rugged amplifier provides you with serious clean and distorted sounds. The front panel features an Insert jack for virtually noise-free connection of your favorite effects and a Headphones jack which lets you practice in private.

In order to get the most out of your new amplifier, we strongly urge you to read this manual before you begin playing.



CAUTION
RISK OF ELECTRIC SHOCK
DO NOT OPEN

WARNING: TO REDUCE THE RISK OF FIRE OR ELECTRIC SHOCK, DO NOT EXPOSE THIS APPARATUS TO RAIN OR MOISTURE. TO REDUCE THE RISK OF ELECTRIC SHOCK, DO NOT REMOVE COVER. NO USER-SERVICEABLE PARTS INSIDE. REFER SERVICING TO QUALIFIED SERVICE PERSONNEL.

PRECAUCION
RIESGO DE CORRIENTAZO
NO ABRA

PRECAUCION: PARA REDUCIR EL RIESGO DE INCENDIOS O DESCARGAS ELECTRICAS, NO PERMITA QUE ESTE APARATO QUEDE EXPUESTO A LA LLUVIA O LA HUMEDAD. PARA DISMINUIR EL RIESGO DE CORRIENTAZO, NO ABRA LA CUBIERTA. NO HAY PIEZAS ADENTRO QUE EL USUARIO PUEDE REPARAR. DEJE TODO MANTENIMIENTO A LOS TECNICOS CALIFICADOS.

ATTENTION
RISQUE D'ELECTROCUTION
NE PAS OUVRIR

ATTENTION: PROTEGEZ CET APPAREIL DE LA PLUIE ET DE L'HUMIDITE AFIN D'EVITER TOUT RISQUE D'INCENDIE OU D'ELECTROCUTION. POUR REDUIRE D'ELECTROCUTION NE PAS ENLEVER LE COUVERCLE. AUCUNE PIECE INTERNE N'EST REPARABLE PAR L'UTILISATEUR. POUR TOUTE REPARATION, S'ADRESSEZ A UN TECHNICIEN QUALIFIE.

IMPORTANT SAFETY INSTRUCTIONS

- READ, FOLLOW, HEED, AND KEEP ALL INSTRUCTIONS AND WARNINGS.
- DO NOT OPERATE NEAR ANY HEAT SOURCE AND DO NOT BLOCK ANY VENTILATION OPENINGS ON THIS APPARATUS. FOR PROPER OPERATION, THIS UNIT REQUIRES 3" (75mm) OF WELL VENTILATED SPACE AROUND HEATSINKS AND OTHER AIR FLOW PROVISIONS IN THE CABINET.
- DO NOT USE THIS APPARATUS NEAR SPLASHING, FALLING, SPRAYING, OR STANDING LIQUIDS.
- CLEAN ONLY WITH LINT-FREE DAMP CLOTH AND DO NOT USE CLEANING AGENTS.
- ONLY CONNECT POWER CORD TO A POLARIZED, SAFETY GROUNDED OUTLET WIRED TO CURRENT ELECTRICAL CODES AND COMPATIBLE WITH VOLTAGE, POWER, AND FREQUENCY REQUIREMENTS STATED ON THE REAR PANEL OF THE APPARATUS.
- PROTECT THE POWER CORD FROM DAMAGE DUE TO BEING WALKED ON, PINCHED, OR STRAINED.
- UNPLUG THE APPARATUS DURING LIGHTNING STORMS OR WHEN UNUSED FOR LONG PERIODS OF TIME.
- ONLY USE ATTACHMENTS, ACCESSORIES, STANDS, OR BRACKETS SPECIFIED BY THE MANUFACTURER FOR SAFE OPERATION AND TO AVOID INJURY.
- THIS APPARATUS DOES NOT OPERATE NORMALLY AND REQUIRES SERVICE WITH ANY PHYSICAL DAMAGE FROM IMPACT OR ANY EXPOSURE TO MOISTURE.
- SERVICE MUST BE PERFORMED BY QUALIFIED PERSONNEL.
- OUR AMPLIFIERS ARE CAPABLE OF PRODUCING HIGH SOUND PRESSURE LEVELS. CONTINUED EXPOSURE TO HIGH SOUND PRESSURE LEVELS CAN CAUSE PERMANENT HEARING IMPAIRMENT OR LOSS. USER CAUTION IS ADVISED AND EAR PROTECTION IS RECOMMENDED IF UNIT IS OPERATED AT HIGH VOLUME.

EXPLANATION OF GRAPHICAL SYMBOLS:

EXPLICACION DE SIMBOLOS GRAFICOS:

EXPLICATION DES SYMBOLES GRAPHIQUES:



"DANGEROUS VOLTAGE"

"VOLTAJE PELIGROSO"

"DANGER HAUTE TENSION"

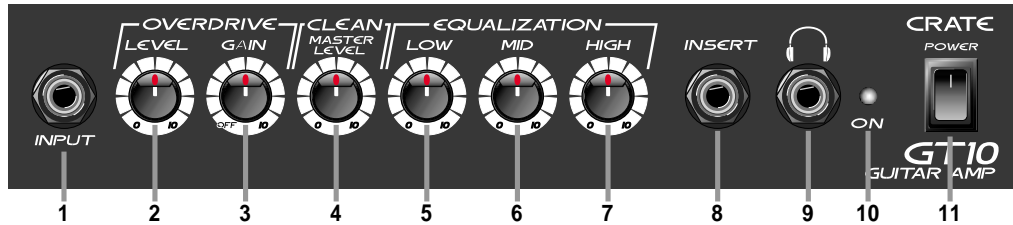


"IT IS NECESSARY FOR THE USER TO REFER TO THE INSTRUCTION MANUAL"

"ES NECESARIO QUE EL USUARIO SE REFIERA AL MANUAL DE INSTRUCCIONES."

"REFERREZ-VOUS AU MANUAL D'UTILISATION"

CRATE GT10 Guitar Amplifier



1: INPUT: Connect your guitar to this jack by means of a shielded instrument cable.

2: OVERDRIVE LEVEL: Use this control to increase the volume and add “crunch” to your sound. This control is only active when the Overdrive Gain control (#3) is turned on. (For more information please see the section entitled “Getting Your Sound.”)

3: OVERDRIVE GAIN: Use this control in conjunction with the Overdrive Level control (#2) to add distortion to your sound. (For more information please see the section entitled “Getting Your Sound.”)

4: CLEAN MASTER LEVEL: Use this control to set the overall output level of the amp. (For more information please see the section entitled “Getting Your Sound.”)

5: LOW: Use this control to adjust the output level of the low frequencies. Rotating this control counter clockwise reduces the low frequency output; rotating it clockwise increases it.

6: MID: Use this control to adjust the output level of the midrange frequencies. Rotating this control counter clockwise reduces the midrange frequency output; rotating it clockwise increases it.

7: HIGH: Use this control to adjust the output level of the high frequencies. Rotating this control counter clockwise reduces the high frequency output; rotating it clockwise increases it.

8: INSERT: Use this jack to connect an external effects to the amplifier. Use a stereo 1/4” male Y-cord: ring = send, tip = return, sleeve = ground. Send goes to the effect’s input; return comes from its output. (For more information please see the section entitled “Connecting to the Insert Jack.”)

9: HEADPHONES: Use this jack to connect a pair of stereo headphones for private listening. The external speaker is disconnected when headphones are in use.

10: POWER LED: This LED will illuminate when power is applied to the amplifier.

11: POWER SWITCH: Use this switch to turn the amplifier on and off.

12: AC LINE IN: (Rear panel, not shown) The grounded power cord should only be plugged into a grounded power outlet that meets all applicable electrical codes and is compatible with the voltage, power, and frequency requirements stated on the rear panel. **Do not attempt to defeat the safety ground connection.**

Getting Your Sound: The Level, Gain and Master Level controls (#2, 3 & 4) can be used together to create a wide variety of sounds. The following guidelines will help you achieve your desired sound.

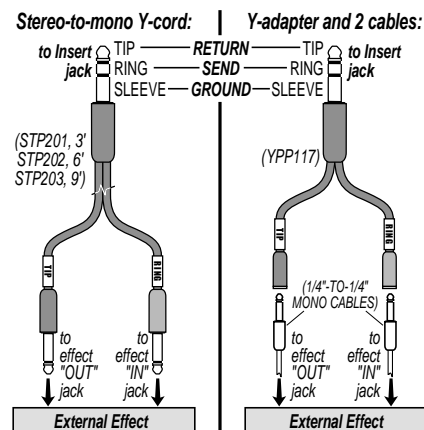
Clean Sounds: Set the Gain control to “OFF” (the Level control will be inactive). Use the Master Level control to set the output level.

“Crunch” Sounds: Set the Level control to 11 o’clock and the Gain to 9 o’clock. Use the Master Level control to set the output level. (The Master Level control should be adjusted to a lower setting as the Level and Gain controls are increased.)

Rhythm Sounds: Set the Level control around 11 o’clock and the Gain at or near “10”. Use the Master Level control to set the output level.

Lead Sounds: Set the Level and Gain controls at or near “10”. Use the Master Level control to set the output level.

Connecting to the Insert Jack: Use Crate’s STP201, STP202 or STP203 stereo-to-mono Y-cord or an adapter such as Crate’s YPP117 and 2 1/4” mono signal cables to connect to the effect as shown:



CRATE *GT10* Guitar Amplifier

GT10 TECHNICAL SPECIFICATIONS:

Output Power Rating	10W RMS @ 1% THD, 4Ω, 120 VAC 14W @ 10% THD
Speaker Size	6"
Input Impedance	500k ohms
Minimum Noise	1mV
Maximum Noise	10mV
Distortion	9%
Power Requirements	120 VAC, 60Hz, 20VA 100/115VAC, 50/60Hz, 20VA 230VAC, 50/60Hz, 20VA
Size and Weight	14" H x 12-1/2" W x 6" D, 12 lbs.

The GT10 is covered with a durable Tolex material: wipe it clean with a lint-free cloth. Never spray cleaning agents onto the cabinet. Avoid abrasive cleansers which would damage the finish.

Crate continually develops new products, as well as improves existing ones. For this reason, the specifications and information in this manual are subject to change without notice.



www.crateamps.com

@2002 SLM Electronics, a division of St. Louis Music, Inc • 1400 Ferguson Avenue • St. Louis, MO 63133
18-489-02 • 07/02